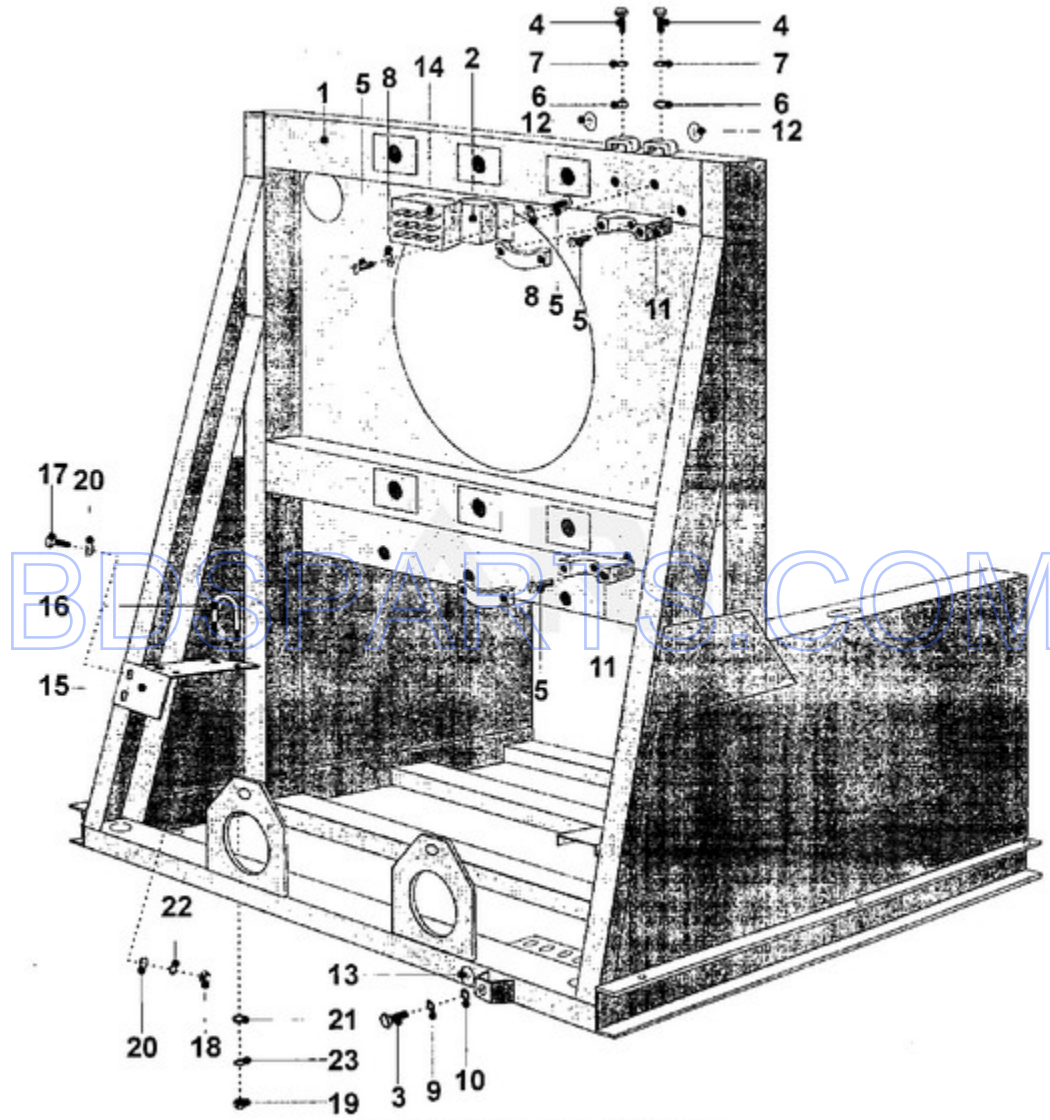
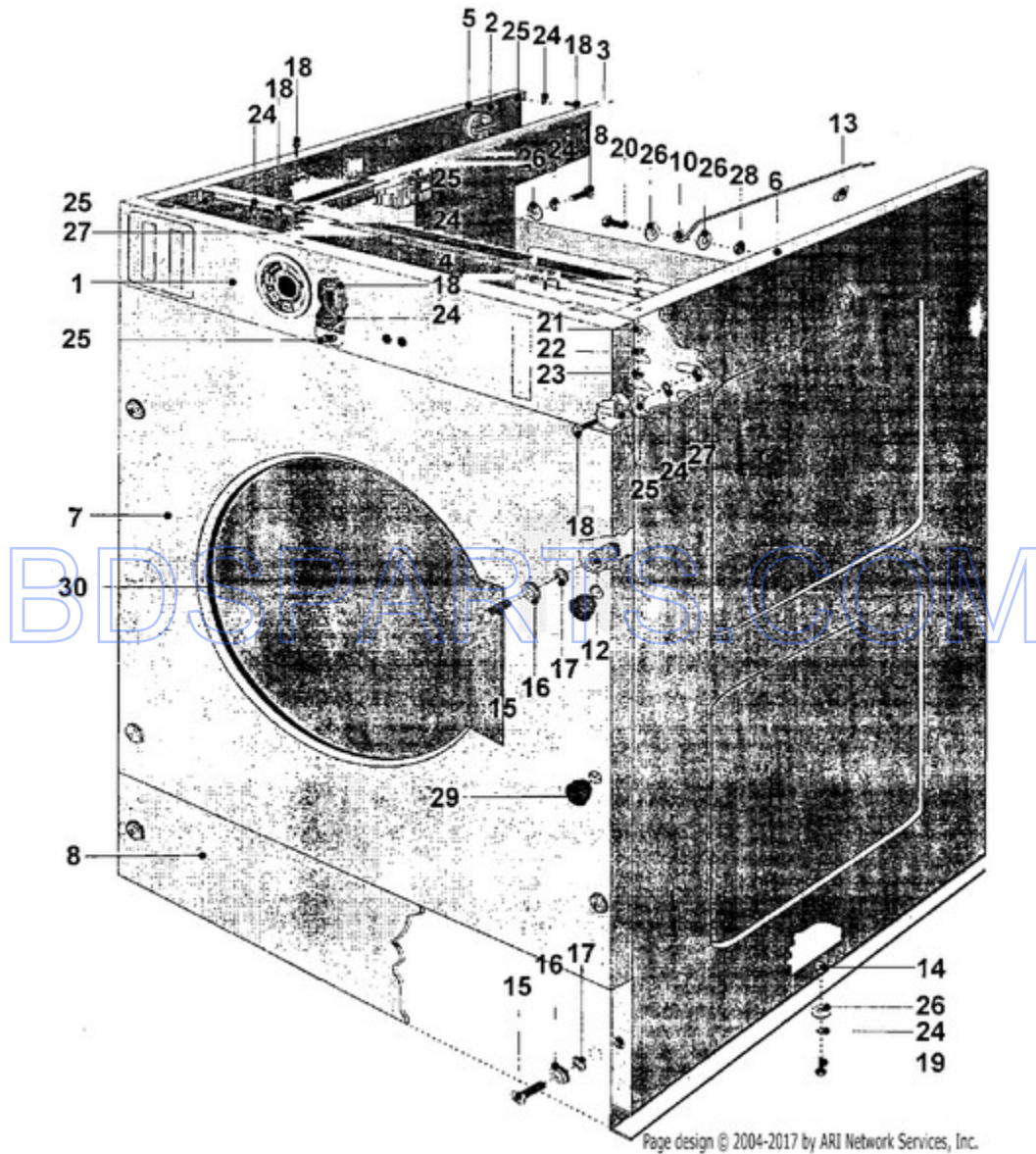


MFR80PDAVS - 01 - FRAME



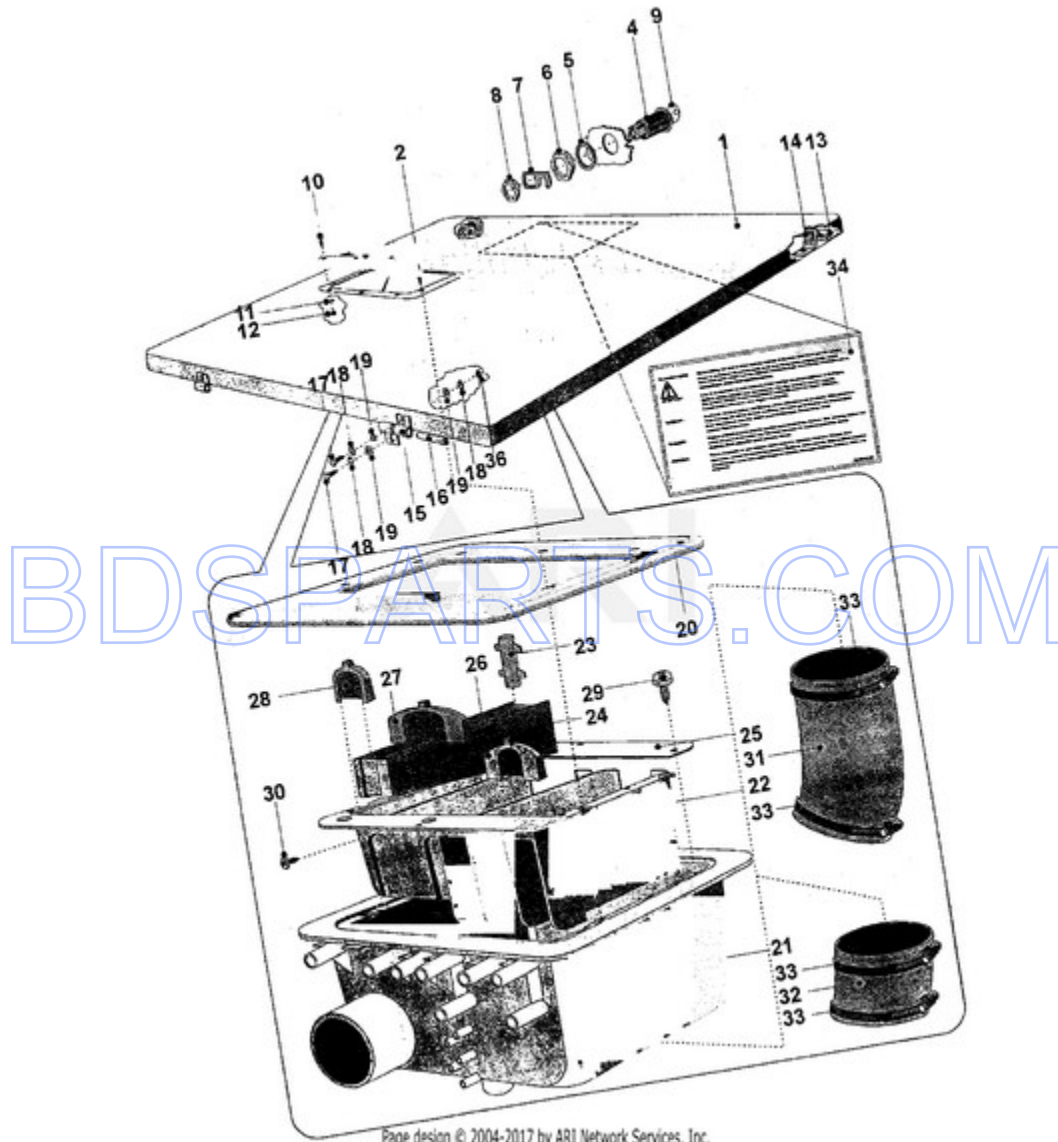
Ref #	Part #	Description	Qty	Context	Note	MSRP
1	23002419	FRAME	1	Series	10	
2	23002420	THERMOSTAT, SUPPORT	1	Series	10	
3	NLA	SCREW (M8X15)	1	Series	10	
4	23002353	SCREW (M6X12)	2	Series	10	
5	23002423	SCREW (M4X10)	6	Series	10	
6	23001643	WASHER (M6)	2	Series	10	
7	23001734	WASHER (M6)	2	Series	10	
8	23002426	WASHER, LOCK (M4)	4	Series	10	
9	23002427	WASHER, LOCK (M8)	1	Series	10	
10	23001608	WASHER (M8) LU	1	Series	10	
11	23002428	CLIP, CABLE	2	Series	10	
12	NLA	LABEL, EARTH	2	Series	10	
13	23003370	EARTH PLATE	1	Series	10	
14	23002460	THERMOSTAT (4 TEMP)	1	Series	10	
15	23002432	HOLDER, STEAM VALVE	1	Series	10	
16	23002433	HOLDER	2	Series	10	
17	23002434	SCREW (M8X30)	2	Series	10	
18	23002435	NUT (M8)	2	Series	10	
19	23002436	NUT (M6)	4	Series	10	
20	23002437	WASHER M8	4	Series	10	
21	23002438	WASHER (M6)	4	Series	10	
22	23002358	WASHER (M8)	2	Series	10	
23	23002357	WASHER	4	Series	10	

MFR80PDAVS - 02 - CABINET



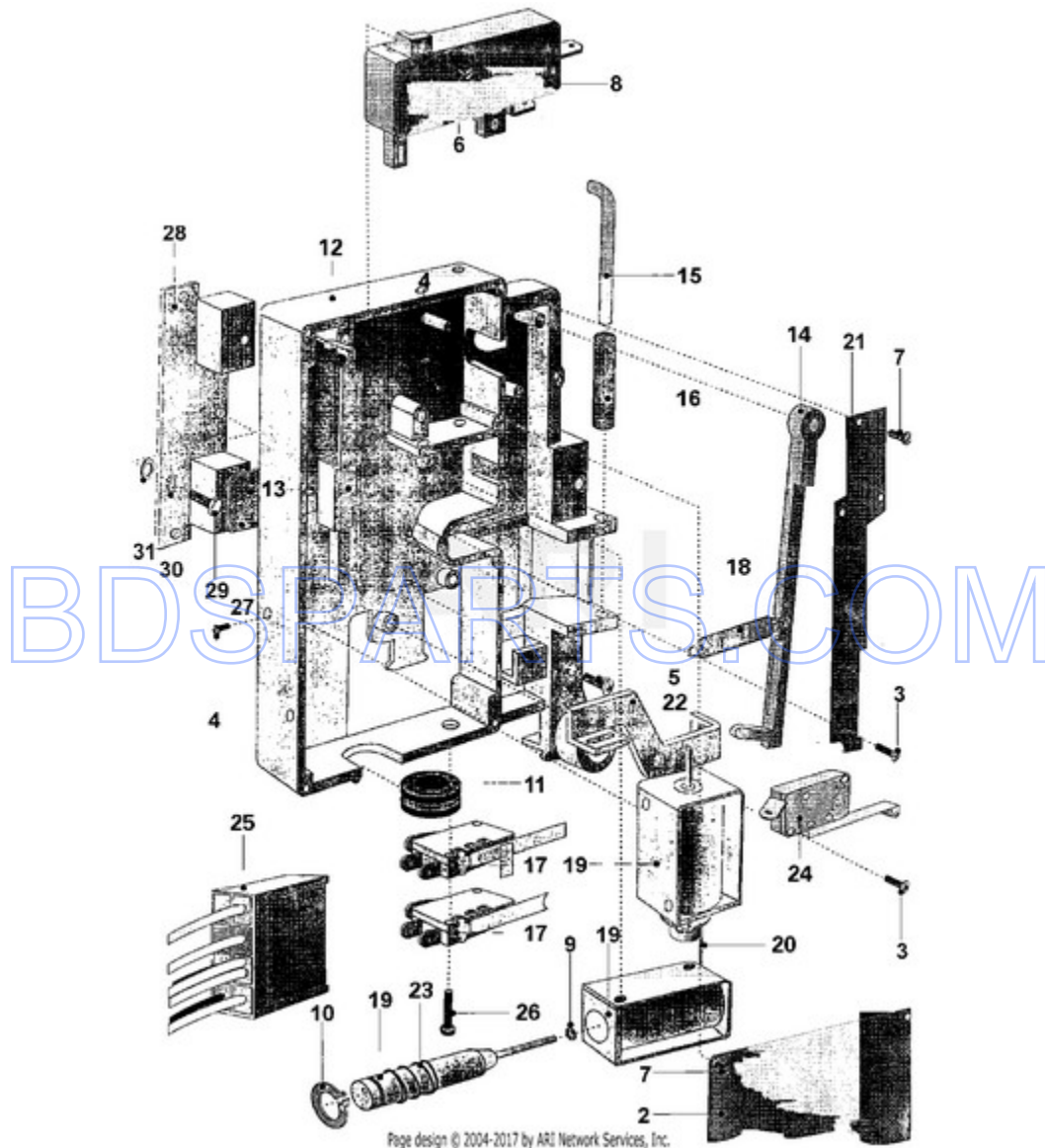
Ref #	Part #	Description	Qty	Context Note	MSRP
1	23003429	PANEL, CONTROL	-	Series 10	
1	23003638	PANEL, CONTROL	1	Series 10	
2	23002442	BOX, ELECTRICAL COMPONENTS	1	Series 10	
3	23002443	HOLDER, BOX	1	Series 10	
4	23002445	BEAM, CROSS	1	Series 10	
5	23002446	PANEL, SIDE (LT)	1	Series 10	
6	23002447	PANEL, SIDE (RT)	1	Series 10	
7	23002448	PANEL (FRT)	1	Series 10	
8	23002449	PANEL (SERVICE)	1	Series 10	
9	NLA	BACK PLATE / PANEL	1	Series 10	
10	23001330	SUPPORT ROD, TOP PANEL	1	Series 10	
11	23001332	PIN, SRV	1	Series 10	
12	23001331	SPACER, PANEL	4	Series 10	
13	NLA	HOOK, STICK	1	Series 10	
14	23001339	NUT, CAGE	6	Series 10	
15	23002456	SCREW (M6 X 50)	6	Series 10	
16	23001337	WASHER, FINISHING	6	Series 10	
17	23001338	WASHER, FIBER (DIA. 15X7X3)	6	Series 10	
18	23002354	SCREW (M6X16)	33	Series 10	
19	23002462	SCREW (M6X20)	6	Series 10	
20	23002463	SCREW (M6X30)	1	Series 10	
21	NLA	WASHER	1	Series 10	
22	23002465	WASHER, LOCK	1	Series 10	
23	23002466	NUT (M5)	2	Series 10	
24	23002357	WASHER	39	Series 10	
25	23002282	WASHER (6)	23	Series 10	
26	23002469	WASHER	22	Series 10	
27	23002436	NUT (M6)	8	Series 10	
28	23002471	NUT	1	Series 10	
29	23003371	STOP	2	Series 10	
30	23001088	TRIM, RUBBER	1	Series 10	

MFR80PDAVS - 03 - SOAP HOPPER AND COVER



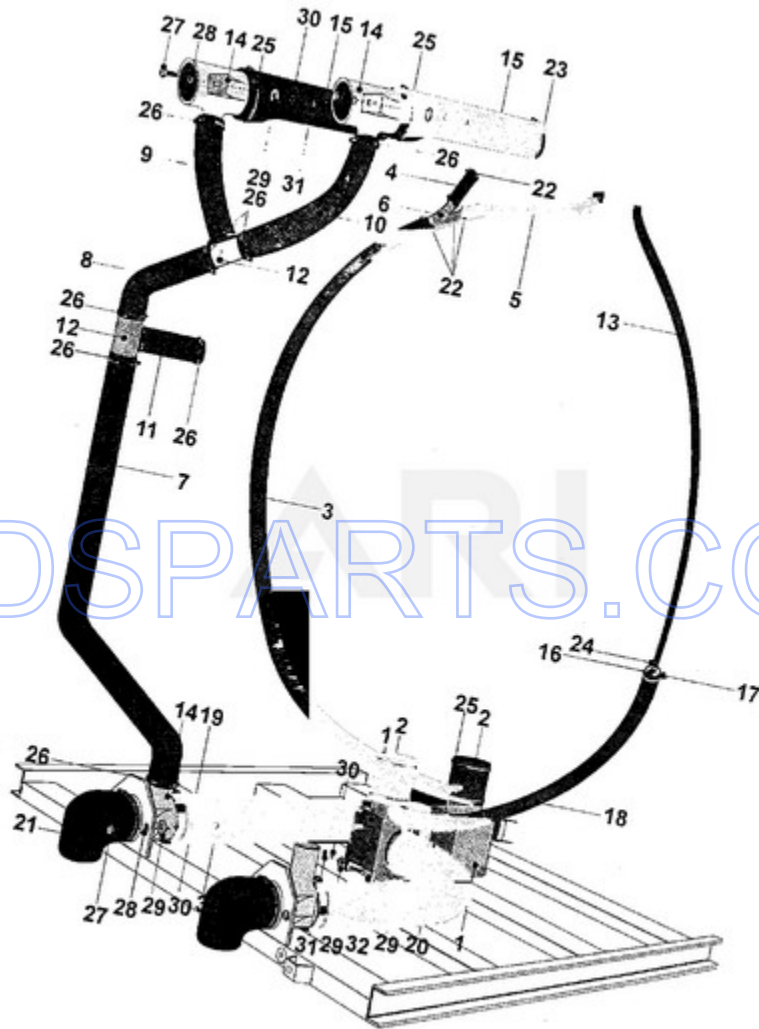
Ref #	Part #	Description	Qty	Context	Note	MSRP
1	23003680	COVE, TOP (SINGLE SOAPHOPPER)	1	Series	10	
2	23002894	SCREW (M5X15)	8	Series	10	
3	23002436	NUT (M6)	2	Series	10	
4	23001006	LOCK, TOP PANEL	2	Series	10	
5	23001007	WASHER, FIBER	2	Series	10	
6	23001007	WASHER, FIBER	2	Series	10	
7	23001009	LOCK HOOK (SHORT)	2	Series	10	
8	23001011	NUT	2	Series	10	
9	23002673	KEY-TOP PANEL (25001)	2	Series	10	
10	23001012	SCREW (M4 X 12 STNLS STEEL)	6	Series	10	
11	23002674	SPRING, LOCK WASHER	6	Series	10	
12	23002652	NUT (QTY OF 4 = 1 PIECE)	6	Series	10	
13	23001033	RIVETS, BLIND (DIA. 3.2 X 8)LU	4	Series	10	
14	23001032	CLAMP, SRV	2	Series	10	
15	23001030	HINGE, TOP COVER	4	Series	10	
16	23001031	SHAFT, HINGE	2	Series	10	
17	23002462	SCREW (M6X20)	4	Series	10	
18	23002357	WASHER	6	Series	10	
19	23002469	WASHER	6	Series	10	
20	23001015	RUBBER SEAL, SOAP BOX	2	Series	10	
21	23001016	SOAP BOX HOUSING	2	Series	10	
22	23001017	SOAP BOX INSERT	2	Series	10	
23	23001018	SIPHON	2	Series	10	
24	23001019	TRAY	2	Series	10	
25	23001020	COVER, PLATE	2	Series	10	
26	23001020	COVER, PLATE	2	Series	10	
27	23001022	DRAWER, MAIN WASH	2	Series	10	
28	23001023	DRAWER, LAST RINSE	2	Series	10	
29	NLA	SLOTTED PAN HEAD SCREW DIN7971	14	Series	10	
30	NLA	SLOTTED PAN HEAD SCREW DIN7971	6	Series	10	
31	23003437	HOSE,SOAP HOPPER No.2 TUB	1	Series	10	
32	23003438	HOSE,SOAP HOPPER No.1 TUB	1	Series	10	
33	23001025	CLAMP, HOSE (DIA 90/110)	4	Series	10	
34	23001550	LABEL, EARTH	1	Series	10	

MFR80PDAVS - 04 - DOOR LOCK



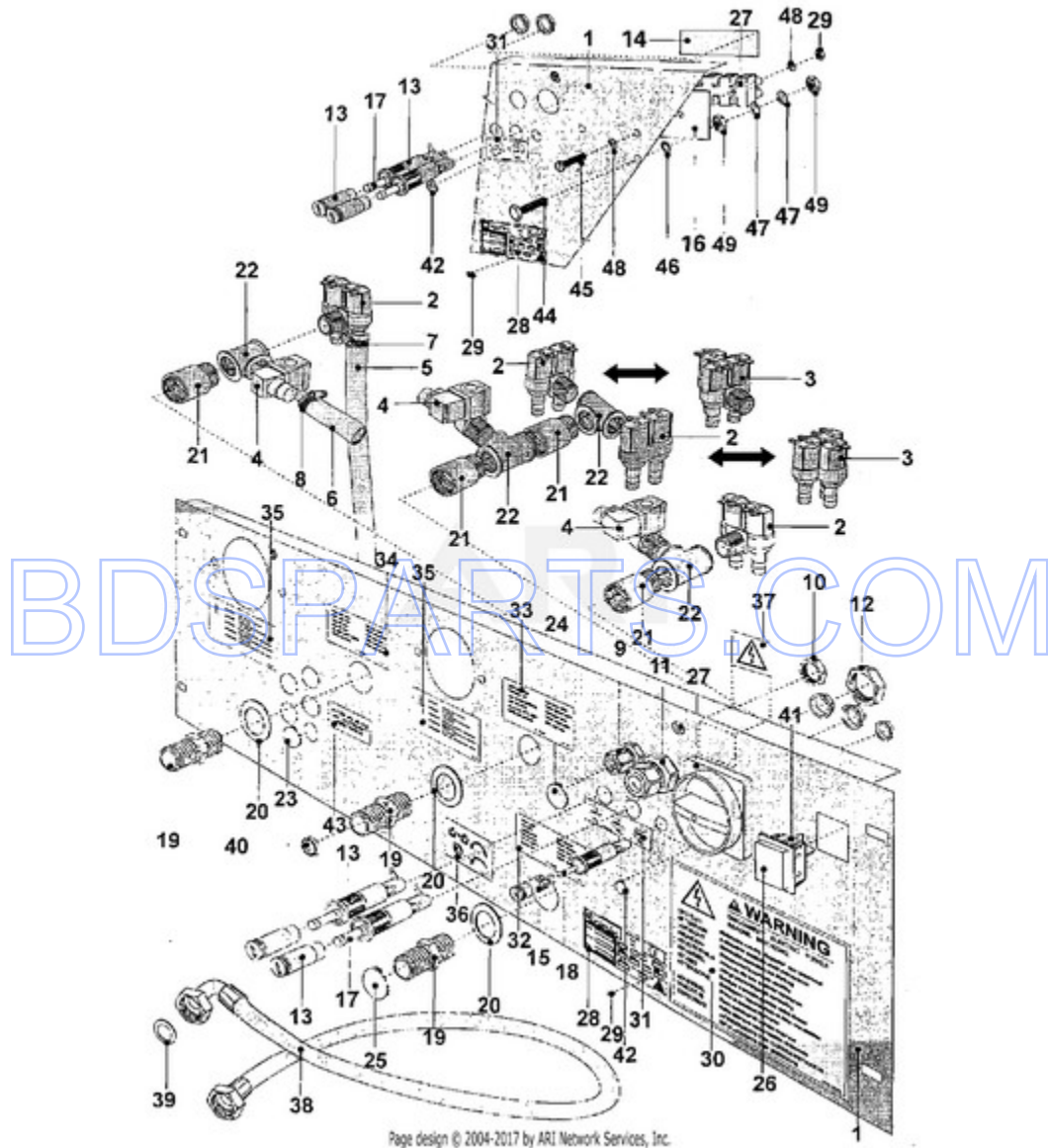
Ref #	Part #	Description	Qty	Context	Note	MSRP
1	Y23002897	LOCK, DOOR (COMPLETE)	1	Series	10	
2	23001130	PLATE, COVER (STNLS STEEL)	1	Series	10	
3	23001131	SCREW (M3 X 14 CROSS RECESSED)	3	Series	10	
4	23001132	SCREW (M3 X 4 CROSS RECESSED)	4	Series	10	
5	23001133	SCREW (M5 X 25 STNLS STEEL)	2	Series	10	
6	23001070	SCREW (M4X10)	2	Series	10	
7	23001134	BOLT (M3 X 6)	7	Series	10	
8	23001135	BIMETAL, ACTUATOR (230V)	1	Series	10	
9	23001136	WASHER (DIA. 5.1 X 3.3 X 0.1)	2	Series	10	
10	23001137	RING, RETAINING (G10)	1	Series	10	
11	23001138	BUSHING, CABLE PASSAGE	1	Series	10	
12	Y23002898	GROUND, PLATE LOCK	1	Series	10	
13	23001140	BAR, LOCKING	1	Series	10	
14	23002899	HANDLE, LOCKING PART	1	Series	10	
15	23001142	RETAINER, LOCK TUBE (DIA.4X45)	1	Series	10	
16	23001143	LOCK TUBE (DIA. 4X23.5 STNLS)	1	Series	10	
17	23001144	MICROSWITCH, SHORT LEVER	2	Series	10	
18	23002900	SPRING, LOCKING PART	1	Series	10	
19	23001146	COIL (240V)	2	Series	10	
19	23001147	COIL (120V)	2	Series	10	
20	23002901	CORD, OPENING	1	Series	10	
21	23001149	LEAF SPRING, LATCH BAR	1	Series	10	
22	NLA	LEVEL, OPENING	1	Series	10	
23	23002903	SPRING, LOCKING PART	1	Series	10	
24	23002337	MICROSWITCH W/ ROLLER ARM	1	Series	10	
25	23002905	WIRING, DOOR LOCK	1	Series	10	
26	23002906	SCREW (M3X25)	2	Series	10	
27	23001155	SHIM	6	Series	10	
28	23001156	SPACER, LOCK	1	Series	10	
29	23002353	SCREW (M6X12)	3	Series	10	
30	23002130	WASHER (6)	3	Series	10	
31	23001159	WASHER (DIA. 14X8.6X1 STNLS)LU	3	Series	10	

MFR80PDAVS - 05 - HOSES



Ref #	Part #	Description	Qty	Context Note	MSRP
1	23001244	VALVE, DRAIN (240V-50/60HZ)	2	Series 10	
2	23003372	HOSE, OUTLET VALVE	2	Series 10	
3	23001246	HOSE, BOTTOM FILL	1	Series 10	
4	23001246	HOSE, BOTTOM FILL	1	Series 10	
5	23003373	HOSE, OUTLET VALVE SOAP (3)	1	Series 10	
6	NLA	Y-PART	1	Series 10	
7	23003375	HOSE, OVERFLOW 1	1	Series 10	
8	23003376	HOSE, OVERFLOW 2	1	Series 10	
9	23003377	HOSE, OVERFLOW 3	1	Series 10	
10	23003378	HOSE, OVERFLOW 4	1	Series 10	
11	23003379	HOSE, OVERFLOW 5	1	Series 10	
12	23001255	TEE, OVERFLOW HOSE	2	Series 10	
13	23001252	HOSE, WATER LEVEL SWITCH	1	Series 10	
14	23001253	DRAIN TEE	4	Series 10	
15	23001254	AIR VENT HOSE, SOAP BOX	2	Series 10	
16	23001260	BUSHING, AIR DOME HOSE	1	Series 10	
17	23001259	CLAMP, CORBIN (A17.5)	1	Series 10	
18	23003380	ELBOW	1	Series 10	
19	23003381	ELBOW, OUTLET 1	1	Series 10	
20	23003382	ELBOW, OUTLET 2	1	Series 10	
21	23003244	ELBOW, 90 DEGREE	2	Series 10	
22	23001262	CLAMP, HOSE (20-32)	6	Series 10	
23	23001256	CLAMP, HOSE (60-80)	2	Series 10	
24	23001257	CLAMP, CORBIN (A5.5)	1	Series 10	
25	23001258	CLAMP, HOSE (70-90)	6	Series 10	
26	23001261	CLAMP, HOSE (32-50)	12	Series 10	
27	23002475	BOLT (M8X20)	8	Series 10	
28	23002653	WASHER (8/6)	8	Series 10	
29	23002437	WASHER M8	16	Series 10	
30	23002358	WASHER (M8)	12	Series 10	
31	23002435	NUT (M8)	12	Series 10	
32	23002908	SCREW (M8X120)	4	Series 10	

MFR80PDAVS - 06 - REAR PANEL AND VALVES

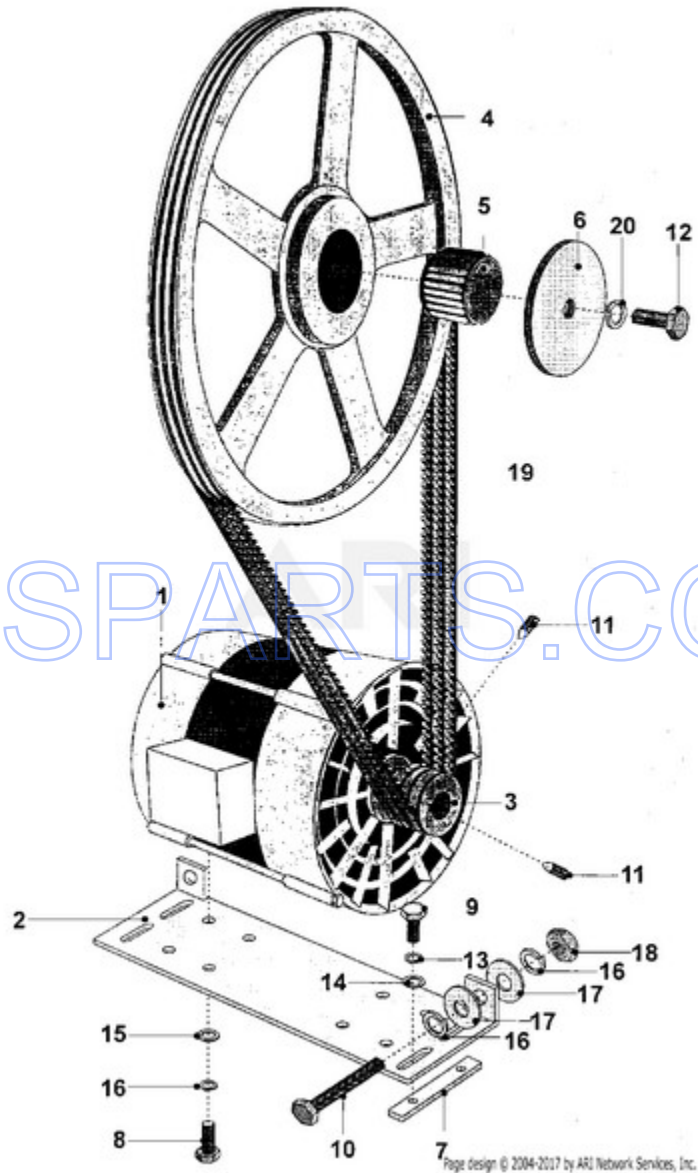


Ref #	Part #	Description	Qty	Context	Note	MSRP
1	NLA	BRIDGE, REAR	1	Series	10	
2	23001455	VALVE, TWO WAY (220V 50/60HZ)	4	Series	10	
3	23001533	VALVE, THREE-WAY	2	Series	10	
4	23001754	VALVE, ONE WAY (3/4``)	3	Series	10	
4	24001122	KIT, VALVE REPAIR (13MM)	1	Series	10	
5	23001507	WATERHOSE (GREEN)	1	Series	10	
6	NLA	HOSE 19/27	1	Series	10	
7	23001506	CLAMP, HOSE	18	Series	10	
8	23001262	CLAMP, HOSE (20-32)	6	Series	10	
9	23002196	SWIVEL, CABLE	1	Series	10	
10	23002197	NUT	1	Series	10	
11	23002211	SWIVEL, CABLE	1	Series	10	
12	23003138	NUT	1	Series	10	
13	23002210	HOLDER, FUSE	2	Series	10	
14	NLA	LABEL, TERMINAL	1	Series	10	
15	23001462	HOLDER, FUSE	1	Series	10	
16	23001115	INSULATION PAPER	1	Series	10	
16	23002399	NUT(M4)	2	Series	10	
17	23003385	FUSE 1A 6X32	2	Series	10	
18	23002919	FUSE (5A)	1	Series	10	
19	23001482	NIPPLE (3/4`` PIPE THREAD)	4	Series	10	
20	23001483	WASHER (DIA. 40 X 6.5 X 3)	3	Series	10	
21	23001484	EXTENSION, BRASS PIPE THREAD	4	Series	10	
22	23001485	TEE, 3/4`` PIPE THREAD (BRASS)	4	Series	10	
23	23002795	PLUG	5	Series	10	
24	23002243	PLUG, UNIVERSAL	1	Series	10	
25	23001476	PLUG, WATER INLET	1	Series	10	
26	23001452	PLUG (WHT)	1	Series	10	
26	23001532	COVER, BUTTON (PLASTIC)	1	Series	10	
27	23002022	SWITCH, MAIN	1	Series	10	
27	23002915	SWITCH, MAIN (32A)	1	Series	10	
27	23002923	BOARD, TERMINAL	1	Series	10	
28	23003389	IDENTIFICATION PLATE (MAYTAG)	1	Series	10	
29	23002187	BOLT, FIRING (3.2X7.9)	2	Series	10	
30	23001465	STICKER, ELECTRICITY WARNING	1	Series	10	
31	23003328	STICKER (1A 400V)	1	Series	10	
31	NLA	STICKER (1A)	1	Series	10	
32	23001469	STICKER, HOT WATER	1	Series	10	
33	NLA	STICKER, COLD HARD WATER	1	Series	10	

Ref #	Part #	Description	Qty	Context	Note	MSRP
34	23001471	STICKER, COLD SOFT WATER	1	Series	10	
35	23002053	LABEL, WARNING VENT OUT	2	Series	10	
36	23001468	STICKER, SPIN DIRECTION	1	Series	10	
37	23003390	INDEX PLATE ``FLASH``	1	Series	10	
38	23001486	HOSE, CONNECTION	3	Series	10	
39	23002921	WASHER, FILL HOSE	2	Series	10	
40	23002922	FILTER	3	Series	10	
41	23001529	BUTTON (RAPID ADVANCE)	1	Series	10	
42	NLA	PLUG (13)	1	Series	10	
43	23001509	STICKER, PIPE THREAD	1	Series	10	
44	23002806	SCREW (M6X25)	1	Series	10	
45	NLA	SCREW (M4 X 20)	2	Series	10	
46	23001734	WASHER (M6)	1	Series	10	
47	23001643	WASHER (M6)	2	Series	10	
48	23002438	WASHER (M6)	4	Series	10	
49	23001515	NUT (M6)	2	Series	10	

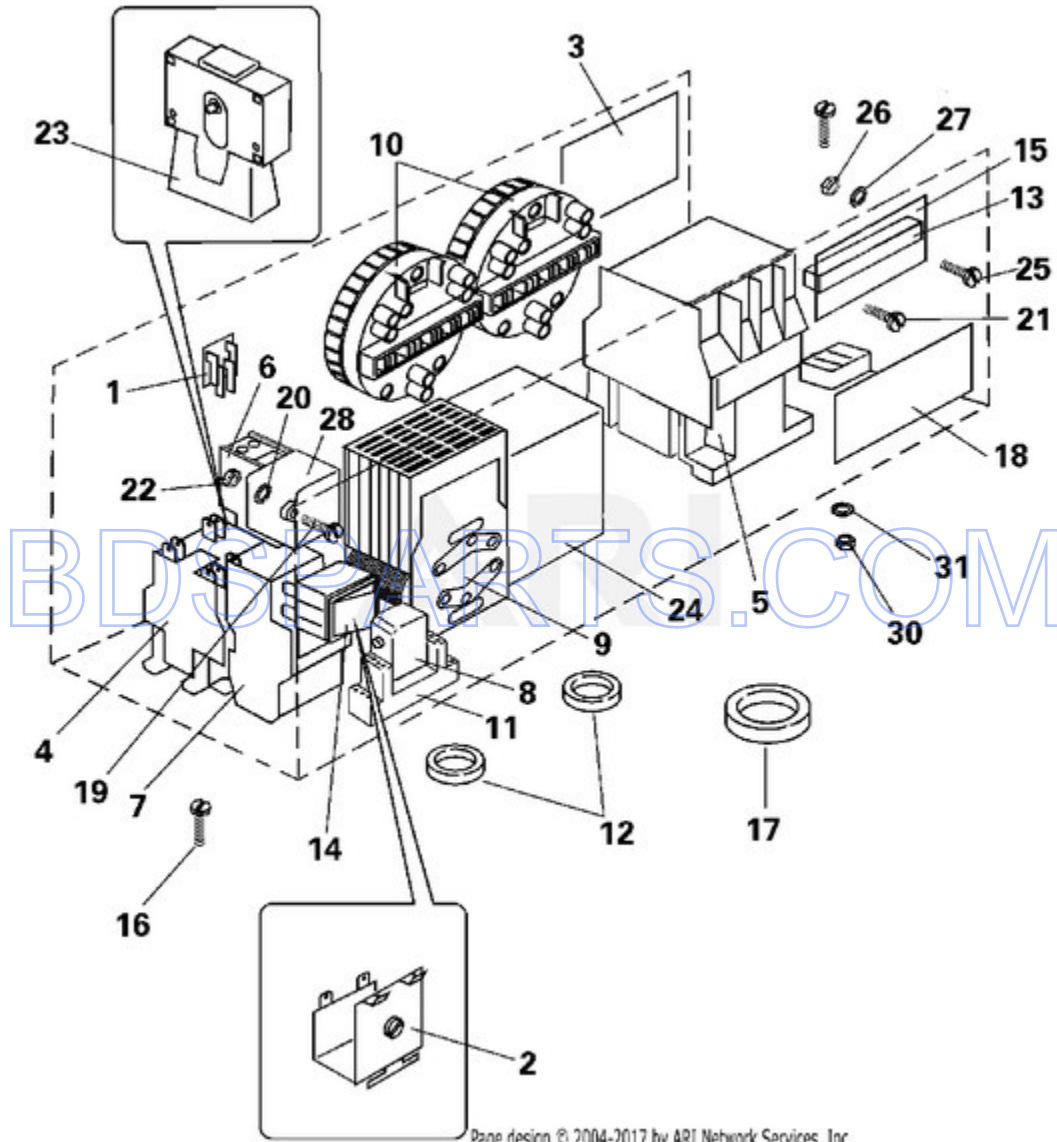
BDS PARTS.COM

MFR80PDAVS - 07 - DRIVE



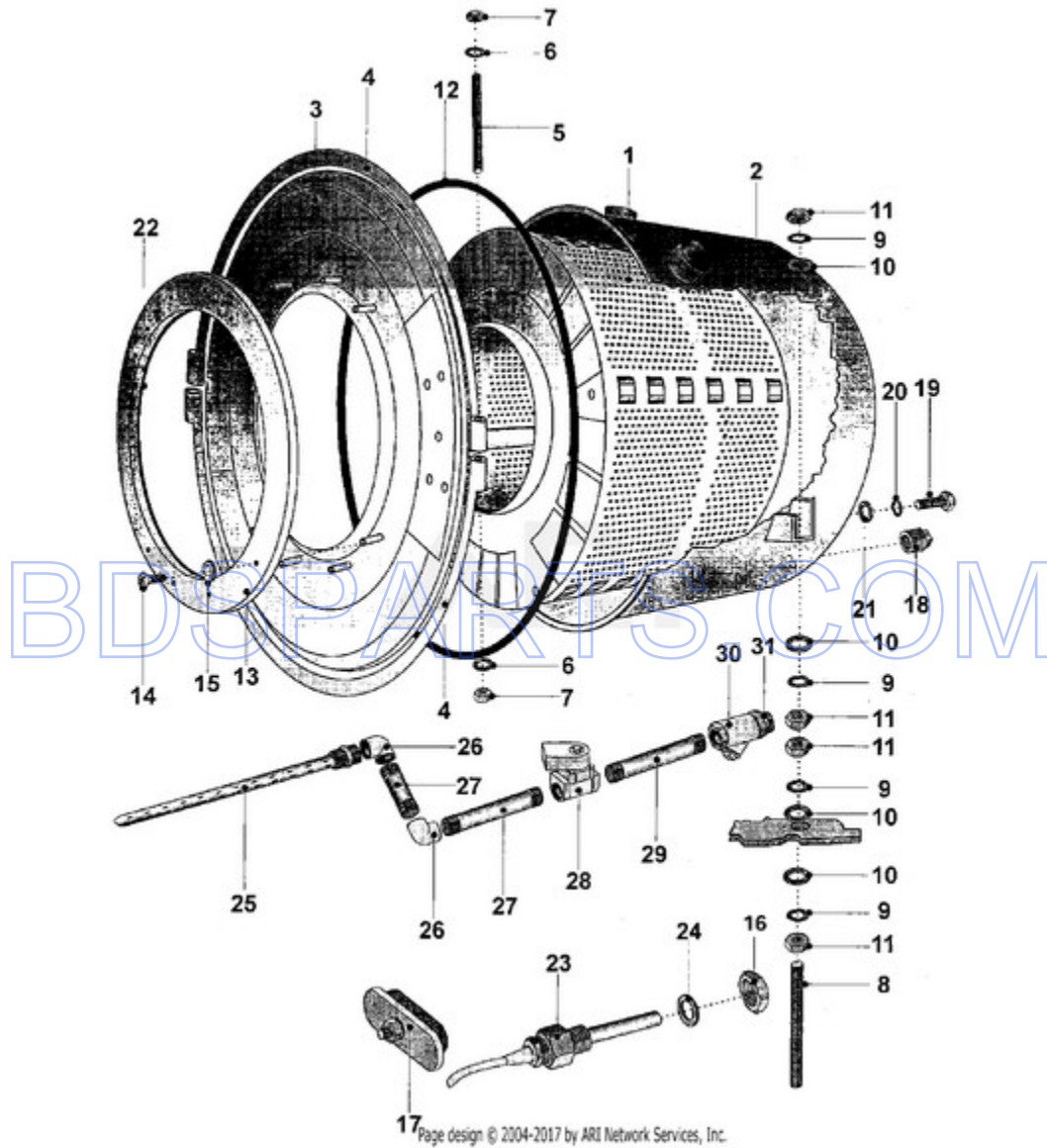
Ref #	Part #	Description	Qty	Context	Note	MSRP
1	23003391	MOTOR, 208-240V/60HZ	1	Series	10	
2	23003392	MOTOR BOARD COMPLETE	1	Series	10	
3	23003393	MOTOR, V-PULLEY 60HZ	1	Series	10	
4	23001285	BASKET PULLEY (DIA. 450)	1	Series	10	
5	23001274	RING, TOLERANCE	1	Series	10	
6	23001281	WASHER (DIA. 90 X 10)	1	Series	10	
7	23003394	BAR	2	Series	10	
8	23002648	SCREW (M10 X 20)	8	Series	10	
9	23002434	SCREW (M8X30)	4	Series	10	
10	23002351	SCREW (M10X80)	2	Series	10	
11	23002930	SCREW, SOCKET SET (M6X6)	2	Series	10	
12	23001293	BOLT (M14 X 50)	1	Series	10	
13	23002358	WASHER (M8)	4	Series	10	
14	23002437	WASHER M8	4	Series	10	
15	23002655	WASHER (10/5)	8	Series	10	
16	23002654	WASHER (10)	12	Series	10	
17	23002633	WASHER	4	Series	10	
18	23001661	NUT M10	2	Series	10	
19	23003395	V-BELT SPZ 2137	3	Series	10	
20	23002792	WASHER (14)	1	Series	10	

MFR80PDAVS - 08 - ELECTRONICS



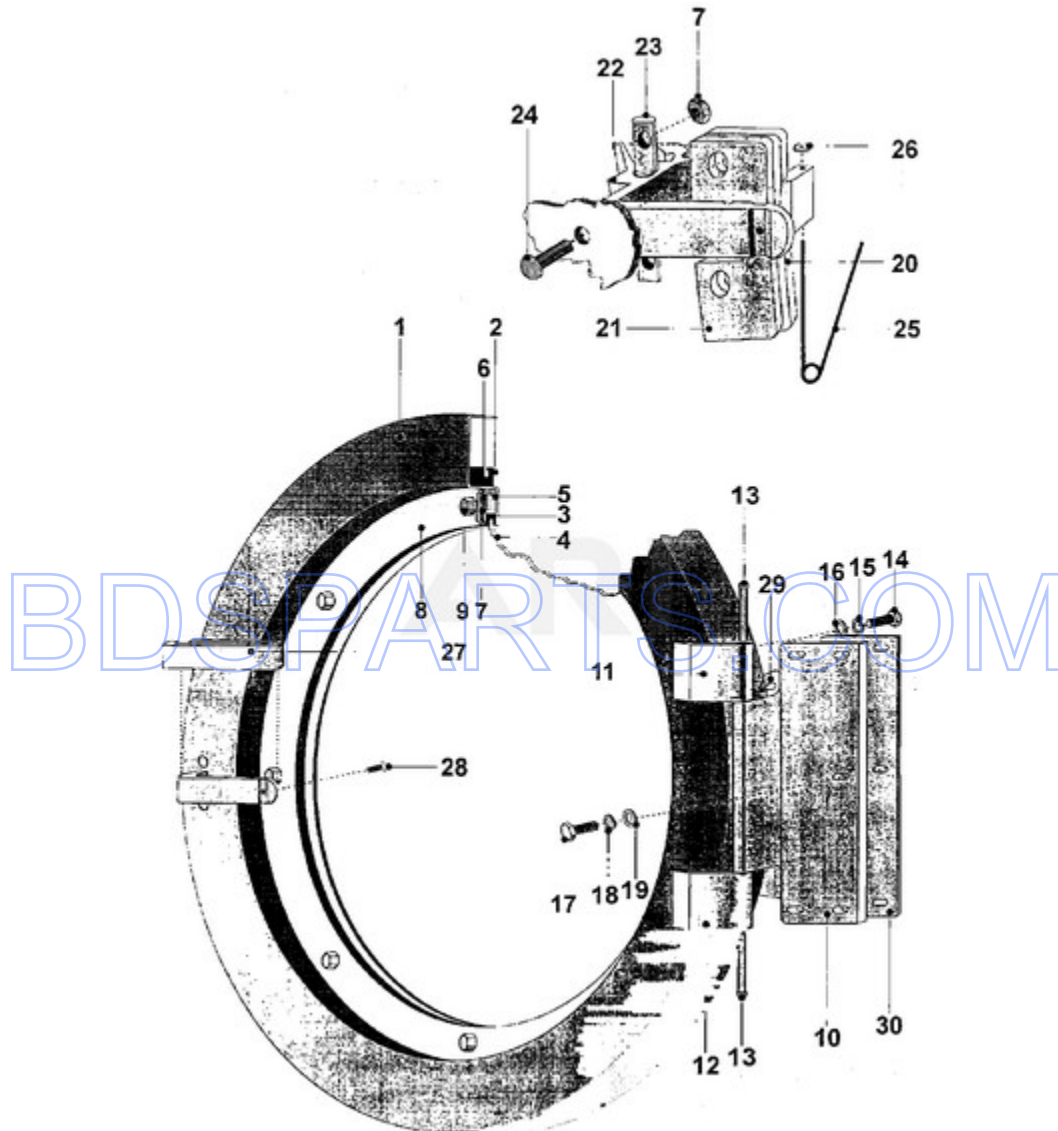
Ref #	Part #	Description	Qty	Context	Note	MSRP
1	23001094	BRIDGE, RECTIFIER	2	Series	10	
1	23001099	SOCKET, PC BOARD	2	Series	10	
2	23002955	BUZZER	1	Series	10	
3	23001465	STICKER, ELECTRICITY WARNING	1	Series	10	
4	23001101	CONTACTOR (LC1-D1201 M7)	3	Series	10	
4	23003751	CONTACTOR LC1 D12	3	Series	21	
5	23001103	CONTACTOR (LC1-D3201 M7)	1	Series	10	
5	23001340	CONTACTOR (LC1-D4011)	1	Series	10	
6	23003155	PARTS, CONTACTOR	2	Series	10	
7	23001107	RELAY, OVERLOAD (LR2D1321)	1	Series	10	
7	23002105	RELAY, OVERLOAD (LR2D1322)	1	Series	10	
7	23003759	Overload relay LR2D	1	Series	21	
7	23003760	Overload relay LR2D	1	Series	21	
8	23002956	SCHRACH, RELAY	1	Series	10	
9	23001110	TIMER, REVERSING (PR1840)	1	Series	10	
9	23002886	SCREW (M4X4)	4	Series	10	
10	23001111	SWITCH, WATER LEVEL	1	Series	10	
10	23002176	SWITCH, WATER LEVEL (ECO)	1	Series	10	
11	23002957	BASE, RELAY	1	Series	10	
12	23003396	CABLE PASSAGE 11X1	2	Series	10	
13	23002154	BOARD, TERMINAL (6 POLES)	1	Series	10	
14	23001114	ROCKER SWITCH, PREWASH/NO PREW	1	Series	10	
15	23001115	INSULATION PAPER	1	Series	10	
16	23003397	SCREW M3X25 (MKII-LC MICRO)	2	Series	10	
17	23001117	RING, RUBBER (DIA. 25)	1	Series	10	
18	23001118	STICKER, LIQUID SOAP	1	Series	10	
19	23002423	SCREW (M4X10)	2	Series	10	
20	23002426	WASHER, LOCK (M4)	2	Series	10	
21	23002398	SCREW (M4X16)	2	Series	10	
21	23002399	NUT(M4)	2	Series	10	
22	23002399	NUT(M4)	4	Series	10	
23	23001119	MECHANICAL INTERLOCK	4	Series	10	
24	23002954	TRANSFORMER	1	Series	10	
25	23002806	SCREW (M6X25)	3	Series	10	
26	23001515	NUT (M6)	8	Series	10	
27	23001734	WASHER (M6)	3	Series	10	
28	23001518	SERIES 15 - NO LONGER NEEDED				
28	NLA	NET FILTER	2	Series	10	

MFR80PDAVS - 09 - TUB AND DRUM



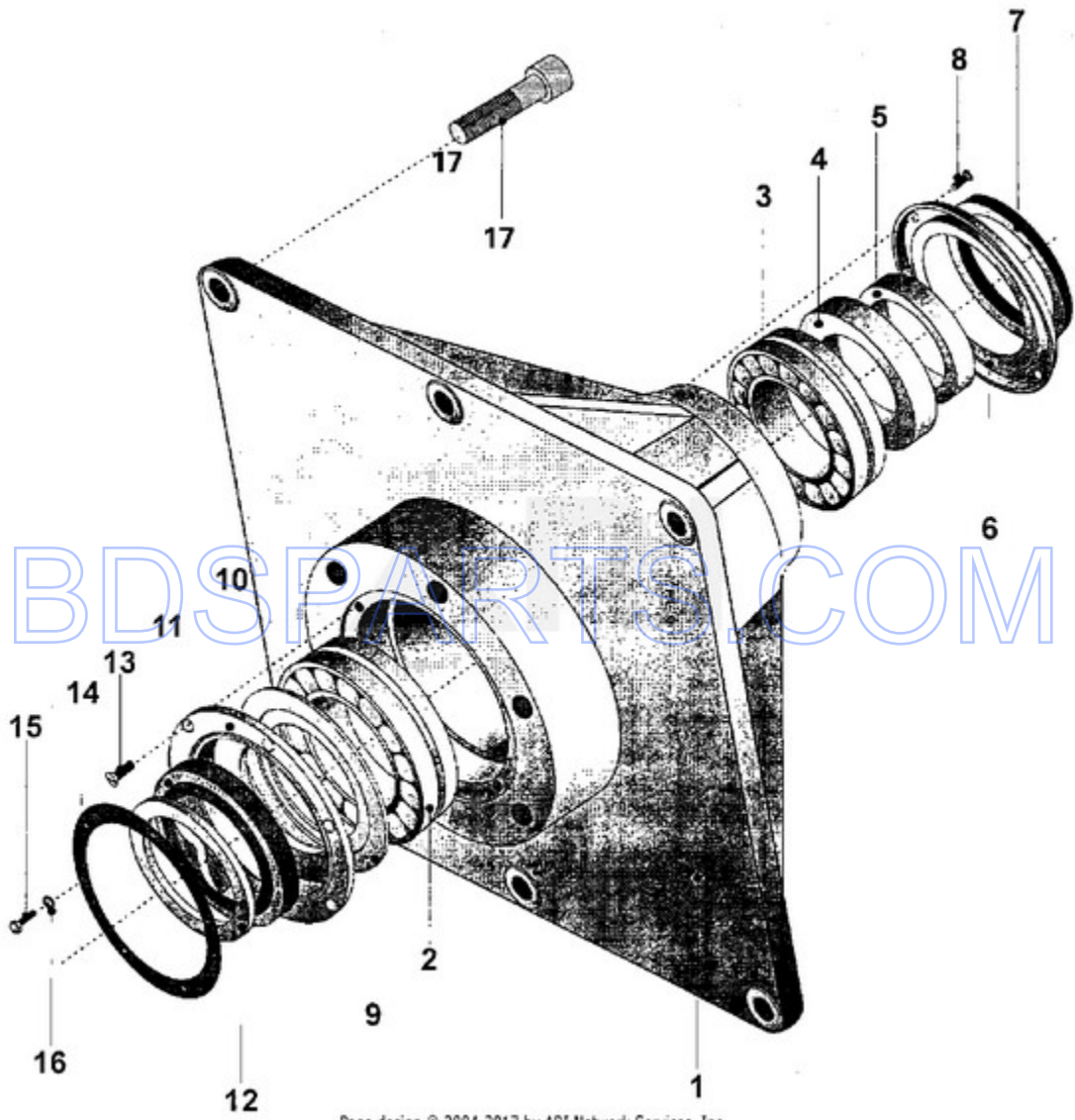
Ref #	Part #	Description	Qty	Context	Note	MSRP
1	23003398	DRUM, COMPLETE	1	Series	10	
2	23003399	TUB, COMPLETE ASSY	1	Series	10	
3	23003400	PANEL, COMPLETE FRONT TUB	1	Series	10	
4	NLA	CLIP	2	Series	10	
5	23002486	BOLT (M8)	2	Series	10	
6	23001608	WASHER (M8) LU	4	Series	10	
7	23002487	NUT (M8)	4	Series	10	
8	23003401	BOLT, ADJUSTING	4	Series	10	
9	23003402	SPRING LOCK WASHER 16 DIN 127	16	Series	10	
10	23003403	WASHER 16BN 737	16	Series	10	
11	23003404	NUT M16 DIN 934	16	Series	10	
12	23002485	SEALING	1	Series	10	
13	23003405	PLATE, ORNAMENTAL	1	Series	10	
14	23002617	SCREW (M4X8)	8	Series	10	
15	23001204	WASHER, FINISHING (DIA. 5)	8	Series	10	
16	23002936	NUT, SENSOR BUSHING	1	Series	10	
17	23001594	BLIND, HEATING ELEMENT	6	Series	10	
18	23002480	PLUG (3/4)	1	Series	10	
19	NLA	SCREW (M8X15)	1	Series	10	
20	23002427	WASHER, LOCK (M8)	1	Series	10	
21	23001608	WASHER (M8) LU	1	Series	10	
22	23001088	RUBBER TRIM	1	Series	10	
23	23001592	ADAPTOR	1	Series	10	
24	23002179	WASHER	1	Series	10	
25	23003406	STEAM TUBE COMPLETE	1	Series	10	
26	23003407	ELBOW (3/4`` 90 DEGREE)	2	Series	10	
27	23003408	TUBE 2	2	Series	10	
28	23002819	VALVE, STEAM (3/4``)	1	Series	10	
29	23003409	TUBE 1	1	Series	10	
30	23003410	STEAM FILTER 3/4``	1	Series	10	
31	NLA	INSERT 3/4``	1	Series	10	

MFR80PDAVS - 10 - DOOR



Ref #	Part #	Description	Qty	Context Note	MSRP
1	23003412	DOOR	1	Series 10	
2	23003413	GASKET, DOOR	1	Series 10	
3	23002688	SEAL, GLASS	1	Series 10	
4	23003414	GLASS, DOOR	1	Series 10	
5	23002681	INSERTION PIECE	8	Series 10	
6	23002682	WASHER	8	Series 10	
7	23002280	NUT M6	10	Series 10	
8	23002680	TYRE	1	Series 10	
9	NLA	NUT (M6)	8	Series 10	
10	23003415	HINGE LOOSE PART	1	Series 10	
11	23003416	HINGE (UPR)	1	Series 10	
12	23003417	HINGE (LWR)	1	Series 10	
13	23003418	BUSH	2	Series 10	
14	23002279	BOLT (M6X20)	6	Series 10	
15	23002130	WASHER (6)	6	Series 10	
16	23001643	WASHER (M6)	6	Series 10	
17	23003419	SCREW (M8X25)	5	Series 10	
18	23002727	WASHER (8) LU	5	Series 10	
19	23001608	WASHER (M8) LU	5	Series 10	
20	23001370	HANDLE, LEVER PLATE	1	Series 10	
21	23003420	SPACER	1	Series 10	
22	23003634	LEVER, DOOR	1	Series 10	
23	23001168	SHAFT, LEVER	1	Series 10	
24	23002937	SCREW (M6X26)	2	Series 10	
25	23001169	SPRING, HANDLE LEVER	1	Series 10	
26	23001057	SPEEDNUT (M3)	2	Series 10	
27	12001889	KIT, DOOR HANDLE ASSEMBLY	1	Series 10	
27	23003634	LEVER, DOOR	1	Series 14	
27	23003979	HANDLE RAIL	1	Series 22	
27	23003980	HANDLE	1	Series 22	
28	23001621	SCREW (M4X10)	1	Series 10	
28	23003422	SCREW, M4X10 DIN 966	2	Series 22	
29	23003423	WASHER	1	Series 10	
30	23003424	PLATE, HINGE	1	Series 10	

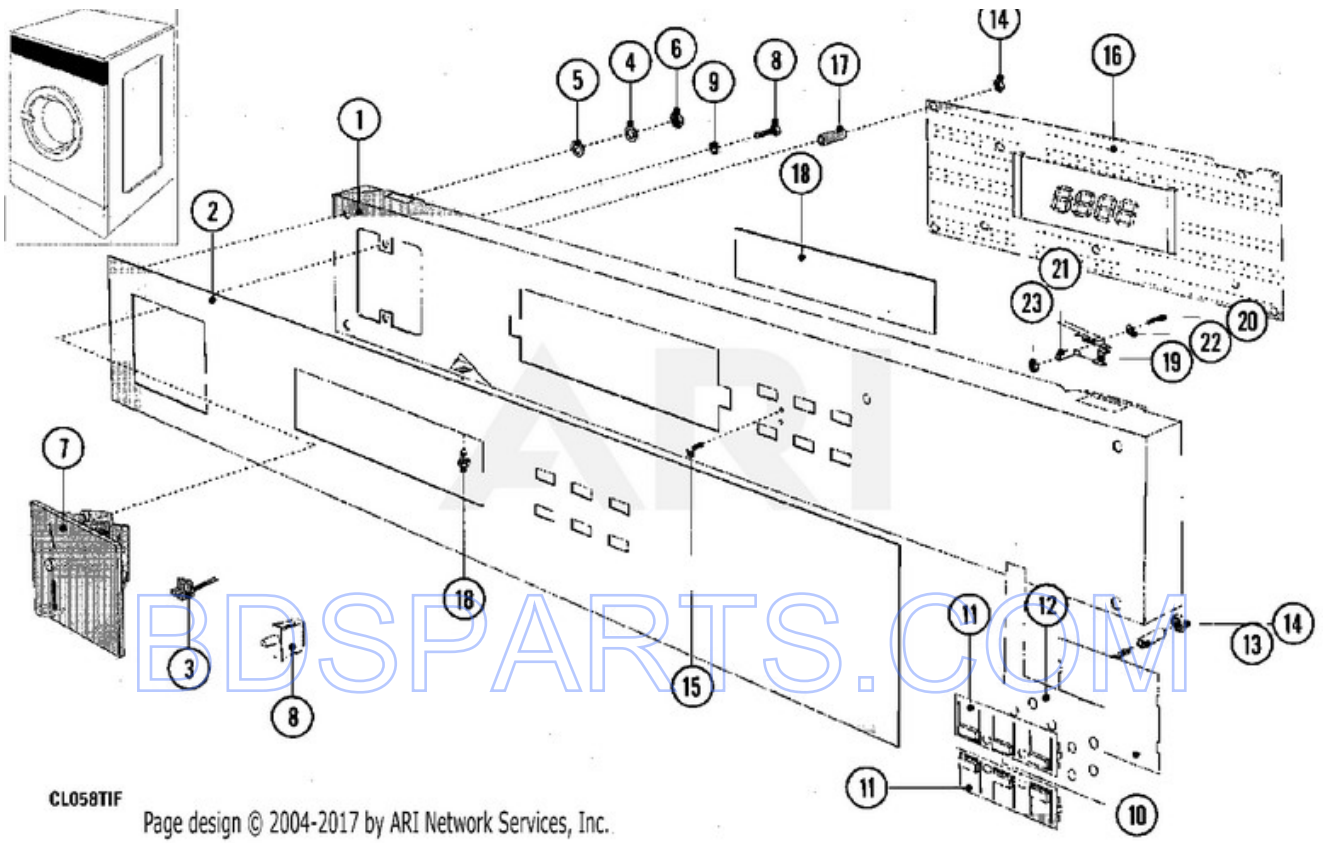
MFR80PDAVS - 11 - TRUNNION



BDS PARTS.COM

Ref #	Part #	Description	Qty	Context Note	MSRP
1	23003425	TRUNNION	1	Series 10	
2	23001210	FRONT BEARING	1	Series 10	
3	23001211	REAR BEARING	1	Series 10	
4	23002974	RING, DISTANCE (STNLS)	1	Series 10	
5	23001219	BUSHING, BRASS	1	Series 10	
6	23001221	SEAL, AXIAL HOLDER	1	Series 10	
7	23001220	SEAL, AXIAL	1	Series 10	
8	23002649	SCREW (M6 X 10)	6	Series 10	
9	23001216	SHEILD BEARING	1	Series 10	
10	23003426	HOLDER AXIAL SEAL	1	Series 10	
11	23001213	WATER SEAL	1	Series 10	
12	23001212	SEAL RING	1	Series 10	
13	23001372	SCREW (M4 X 8 STNLS STEEL)	4	Series 10	
14	23003427	FIXATING RING ST. STEEL	1	Series 10	
15	23003354	BOLT (M10X25)	6	Series 10	
16	23001201	WASHER (DIA. 22X11X1 BRASS)	6	Series 10	
17	23003428	SCREW M16X80 DIN 912	6	Series 10	

MFR80PDAVS - 12 - CONTROL PANEL



CL058TIF

Page design © 2004-2017 by ARI Network Services, Inc.

Ref #	Part #	Description	Qty	Context Note	MSRP
1	23003638	PANEL, CONTROL	1	Series 10	
1	23003727	CONTROL PANEL	1	Series 18	
2	23003643	FACIA (80)	1	Series 10	
2	23003706	FACIA PANEL	1	Series 12	
2	23003726	FACIA, CONTROL PANEL	1	Series 18	
3	23003657	SENSOR, OPTIC	1	Series 10	
4	23002842	BRACKET, SUPPORT (RT-SIDE)	4	Series 10	
5	23002426	WASHER, LOCK (M4)	4	Series 10	
6	23003666	NUT (M4)	4	Series 10	
7	23003644	COIN DROP	1	Series 10	
7	23003976	VAULT, COIN MFR80	1	Series 23	
8	23003656	SWITCH, COIN BOX	1	Series 10	
9	23002465	WASHER, LOCK	1	Series 10	
10	23003645	HOLDER	1	Series 10	
11	23003646	BUTTONS, ROW OF 3	1	Series 10	
12	23003647	SWITCH, MEMBRANE	1	Series 10	
13	23003648	TUBE	4	Series 10	
14	23003649	LOCKNUT, WASHED	8	Series 10	
15	23002617	SCREW (M4X8)	4	Series 10	
16	23003705	CONTROL BOARD	1	Series 10	
17	23003651	TUBE	4	Series 10	
18	23003655	COVER, DISPLAY LU	1	Series 10	
20	23003652	SCREW, SWITCH	2	Series 10	
21	23003653	TUBE	2	Series 10	
22	23003654	WASHER (M3)	2	Series 10	
23	23002958	NUT M3	2	Series 10	