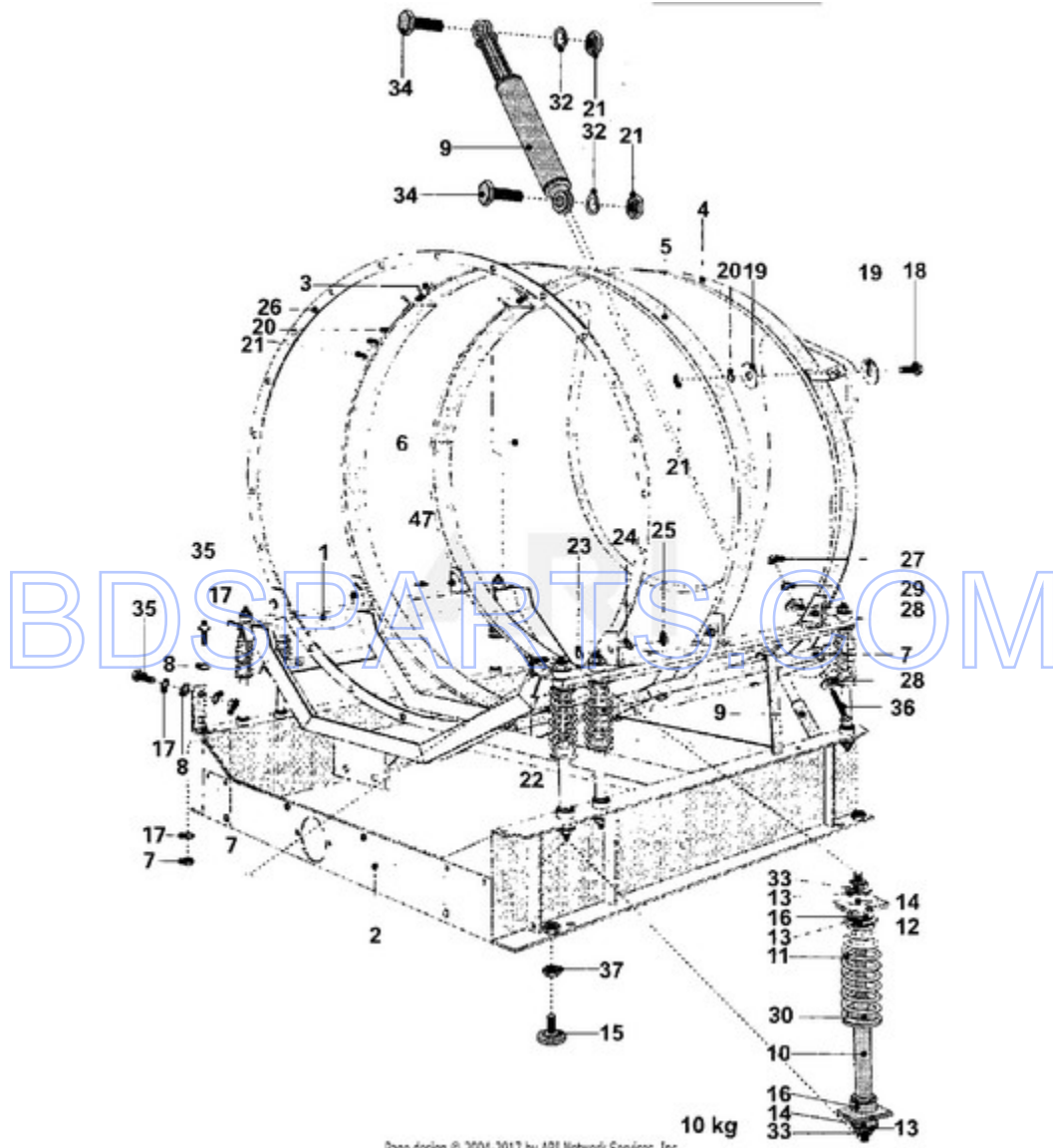


MFS25PNAVS - 01 - FRAME

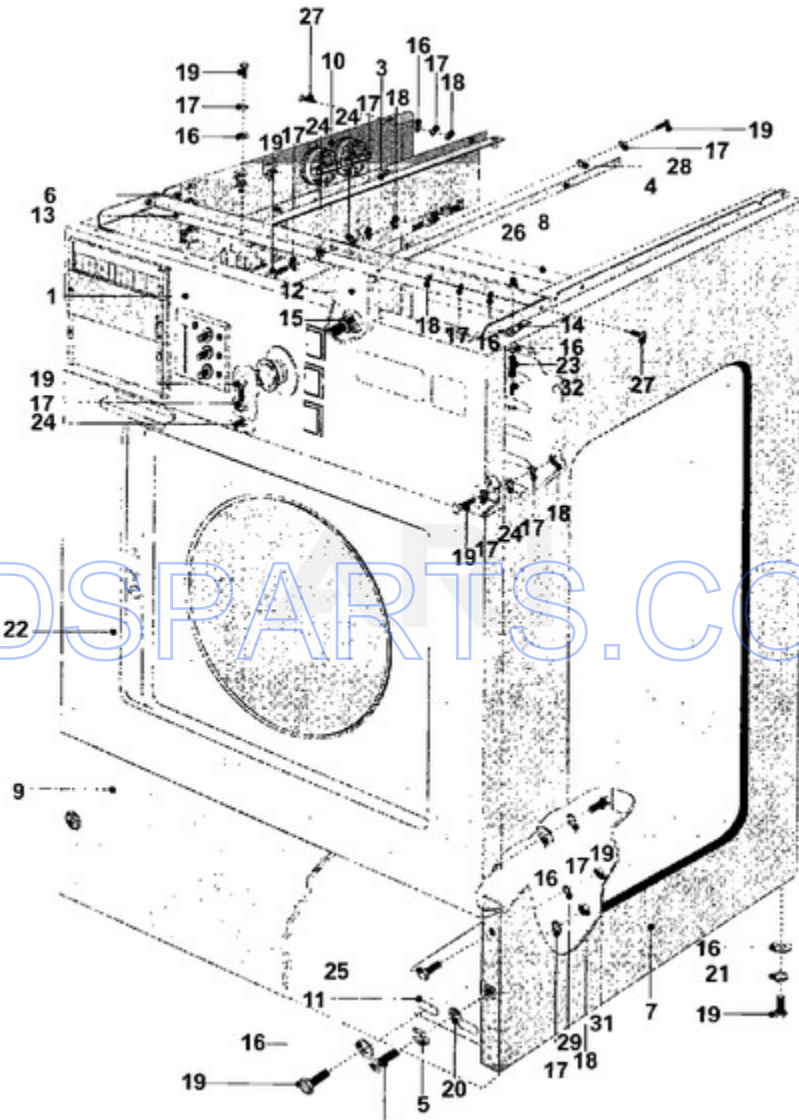


Ref #	Part #	Description	Qty	Context	Note	MSRP
1	23003446	BRIDGE, SUSPENSION	2	Series	11	
2	23003447	FRAME	1	Series	11	
3	23003463	SCREW (M10X70)	2	Series	11	
4	23003448	RING, SLIDE (FRONT)	1	Series	11	
5	23003449	RING, SLIDE (MIDDLE)	1	Series	11	
6	23003450	WEIGHT, COUNTER (LWR)	1	Series	11	
7	23001034	NUT (M6)	4	Series	11	
8	23001027	WASHER (DIA. 12 X 6.5 X 1.6)	4	Series	11	
9	23002983	DAMPER (RD 12-2)	1	Series	11	
10	23003451	LEG, SPRING	6	Series	11	
11	23003452	SPRING (WHITE)	2	Series	11	
11	23003453	SPRING (YELLOW)	2	Series	11	
11	23003457	SPRING (RED)	2	Series	11	
12	23003454	HOLDER, SPRING (UPR) LU	6	Series	11	
13	23003455	WASHER	12	Series	11	
14	23003456	RUBBER (BLK-UPR)	12	Series	11	
15	23003458	LEG	4	Series	11	
16	23003459	RUBBER (BLK-LWR) LU	12	Series	11	
17	23001028	LOCK WASHER EXTERNAL TEETHM6LU	6	Series	11	
18	23001425	BOLT (M10X50)	4	Series	11	
19	23001282	WASHER (DIA. 37 X 13 X 3)	4	Series	11	
20	23001400	LOCK WASHER, SPRING	6	Series	11	
21	23001240	NUT (M10)	6	Series	11	
22	NLA	BOLT (M12X30)	6	Series	11	
23	23001292	WASHER (13)	6	Series	11	
24	23001419	WASHER (12)	6	Series	11	
25	23001303	NUT (M12)	6	Series	11	
26	23003464	RING	1	Series	11	
27	23003460	NUT (M8)	6	Series	11	
28	23001203	WASHER (DIA. 16 X 8.4 X 1.6)	6	Series	11	
29	23001265	WASHER (8)	6	Series	11	
30	23003465	HOLDER, SPRING (LWR)	6	Series	11	
31	23003466	TUBE	2	Series	11	
32	23001400	LOCK WASHER, SPRING	2	Series	11	
33	23001241	LOCKING NUT, SELF (M10) LU	2	Series	11	
34	23003461	SCREW (M10X40)	2	Series	11	
35	23001026	BOLT (M6 X 16)	2	Series	11	
36	23003462	SCREW (M8X70)	6	Series	11	

<b>Ref #</b>	<b>Part #</b>	<b>Description</b>	<b>Qty</b>	<b>Context</b>	<b>Note</b>	<b>MSRP</b>
37	23001266	NUT (M8)	1	Series	11	

BDSPARTS.COM

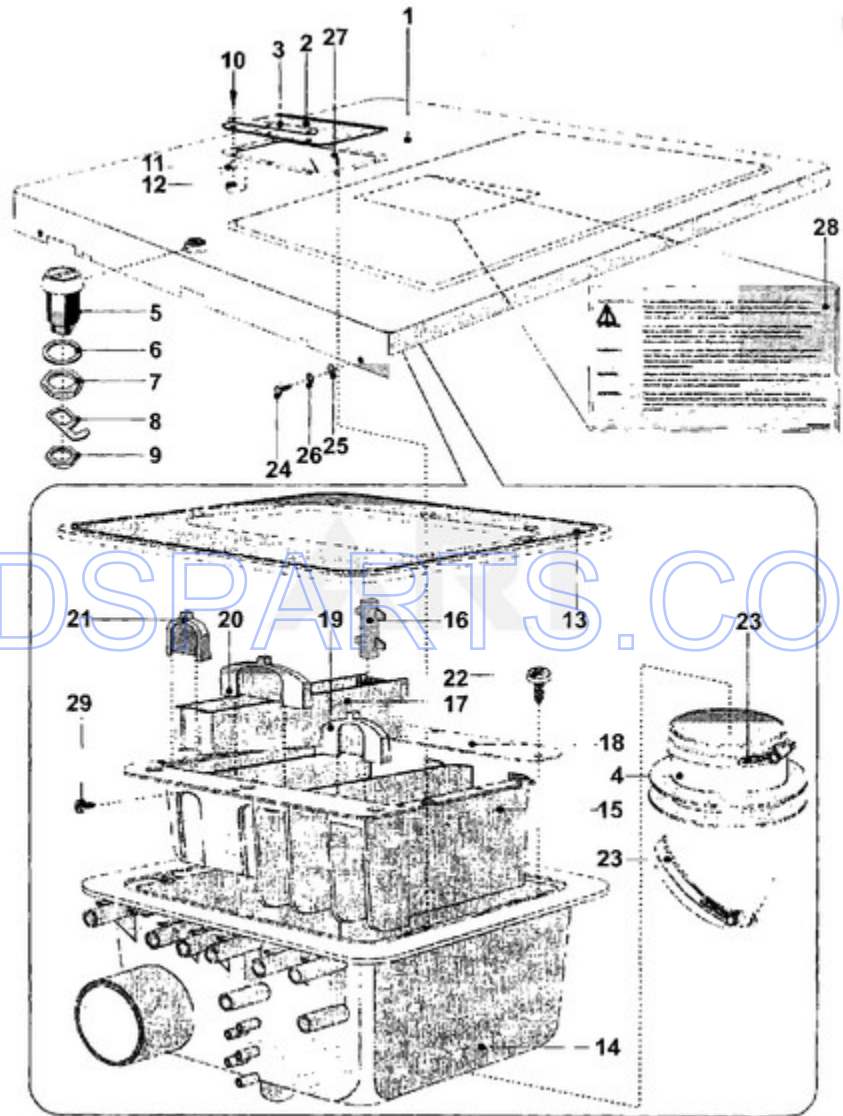
MFS25PNAVS - 02 - CABINET



BDSPARTS.COM

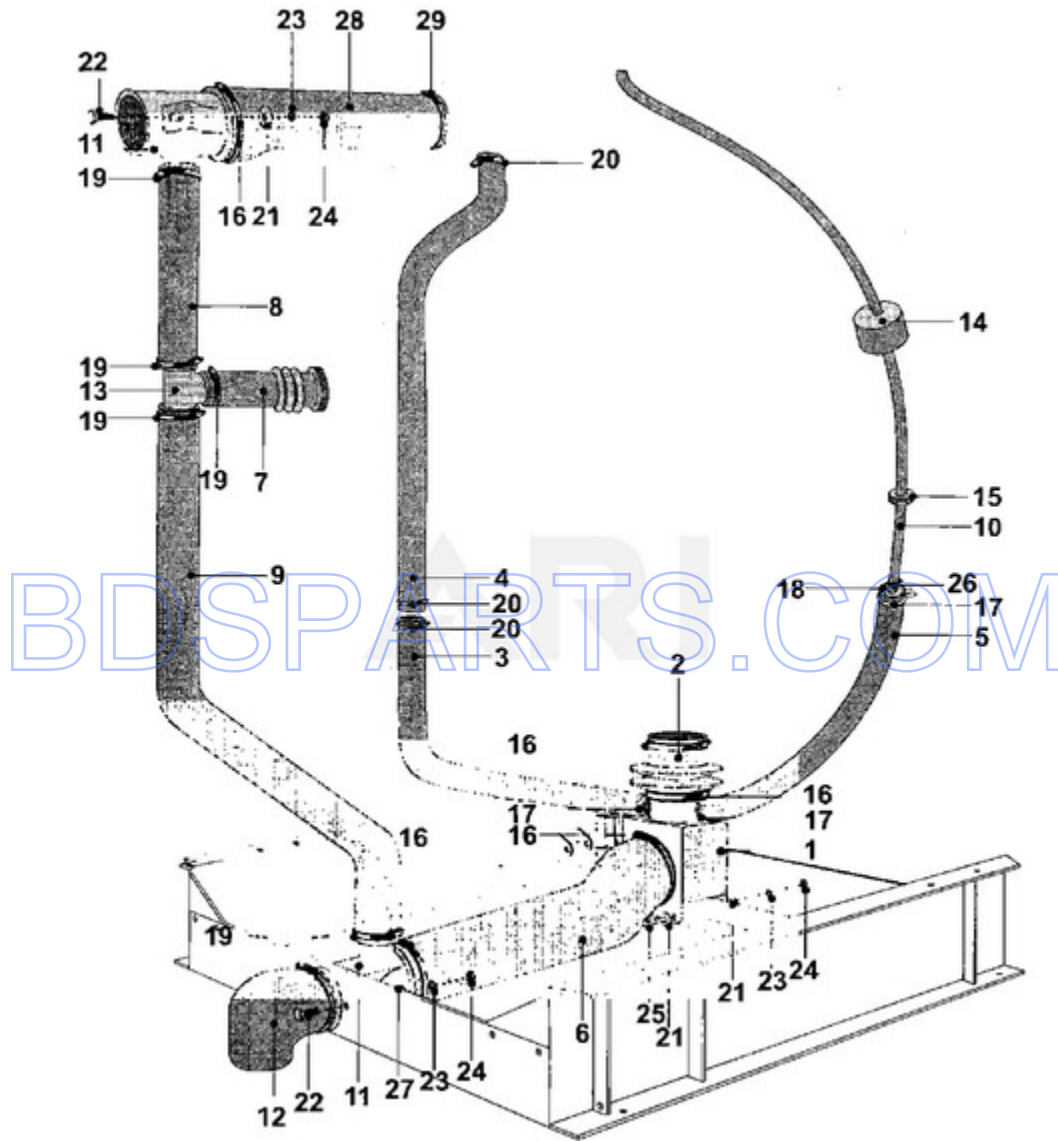
Ref #	Part #	Description	Qty	Context	Note	MSRP
1	23003558	PANEL, CONTROL	1	Series	11	
1	23003559	FACIA, CONTROL PANEL	1	Series	11	
2	23003478	SCREW (M6X50)	1	Series	11	
3	23003467	BOX, ELECTRICAL COMPONENTS	4	Series	11	
4	23003468	HOLDER, SOAP HOPPER	1	Series	11	
5	23001337	WASHER, FINISHING	4	Series	11	
6	23003469	PANEL, SIDE (LT)	1	Series	11	
7	23003470	PANEL, SIDE (RT)	1	Series	11	
8	23003471	PANEL, REAR	1	Series	11	
9	23003472	DOOR, ACCESS (LWR)	1	Series	11	
10	23003473	PANEL, ELECTRICAL COMPONENTS	1	Series	11	
11	23003474	REINFORCEMENT, SIDE PANEL	1	Series	11	
12	23003475	HOLDER, SWITCH	1	Series	11	
13	23001511	BOX, HOLDER (ELECTRICAL COMP.)	1	Series	11	
14	23001442	COVER, HOOK	2	Series	11	
15	23002775	SWITCH, VIBRATION	1	Series	11	
16	23001027	WASHER (DIA. 12 X 6.5 X 1.6)	12	Series	11	
17	23001028	LOCK WASHER EXTERNAL TEETHM6LU	24	Series	11	
18	23001034	NUT (M6)	18	Series	11	
19	23001026	BOLT (M6 X 16)	18	Series	11	
20	23001338	WASHER, FIBER (DIA. 15X7X3)	4	Series	11	
21	23001158	WASHER (M6)	24	Series	11	
22	23003477	PANEL, FRONT	1	Series	11	
23	23001444	BOLT (M6X30)	6	Series	11	
24	23001159	WASHER (DIA. 14X8.6X1 STNLS)LU	8	Series	11	
25	23003480	SCREW (M5X12)	8	Series	11	
26	23001310	NUT, SELF LOCKING (M6)	8	Series	11	
27	23003476	SCREW (M6X16)	4	Series	11	
28	23001027	WASHER (DIA. 12 X 6.5 X 1.6)	8	Series	11	
29	23001333	LOCK WASHER (M5) LU	8	Series	11	
30	23001445	COVER, SPRING	2	Series	11	
31	23001334	NUT (M5) LU	8	Series	11	

MFS25PNAVS - 03 - TOP COVER/SOAP HOPPER



Ref #	Part #	Description	Qty	Context	Note	MSRP
1	23003481	COVER, SOAP HOPPER	1	Series	11	
2	23001003	RUBBER COVER, SOAP BOX	1	Series	11	
3	23001004	CLAMP, SOAP BOX COVER	1	Series	11	
4	23003482	HOSE, SOAP HOPPER	1	Series	11	
5	23001006	LOCK, TOP PANEL	1	Series	11	
6	23001007	WASHER, FIBER	1	Series	11	
7	23001008	LOCK NUT (LARGE)	1	Series	11	
8	23003483	HOOK, LOCK	1	Series	11	
9	23001011	NUT	1	Series	11	
10	23001012	SCREW (M4 X 12 STNLS STEEL)	3	Series	11	
11	23001636	WASHER	3	Series	11	
12	23001014	NUT M4	3	Series	11	
13	23001015	RUBBER SEAL, SOAP BOX	1	Series	11	
14	23001016	SOAP BOX HOUSING	1	Series	11	
15	23001017	SOAP BOX INSERT	1	Series	11	
16	23001018	SIPHON	1	Series	11	
17	23001019	TRAY	1	Series	11	
18	23001020	COVER, PLATE	1	Series	11	
19	23001021	DRAWER, PREWASH	1	Series	11	
20	23001022	DRAWER, MAIN WASH	1	Series	11	
21	23001023	DRAWER, LAST RINSE	1	Series	11	
22	23001024	SCREW	3	Series	11	
23	23001025	CLAMP, HOSE (DIA 90/110)	2	Series	11	
24	23001026	BOLT (M6 X 16)	2	Series	11	
25	23001309	WASHER (6.4) LU	2	Series	11	
26	23001028	LOCK WASHER EXTERNAL TEETHM6LU	2	Series	11	
27	23003484	SCREW (M5X16)	6	Series	11	
28	23001550	LABEL, EARTH	1	Series	11	
29	23002318	SCREW, PAN HEAD (SLOTTED)	2	Series	11	

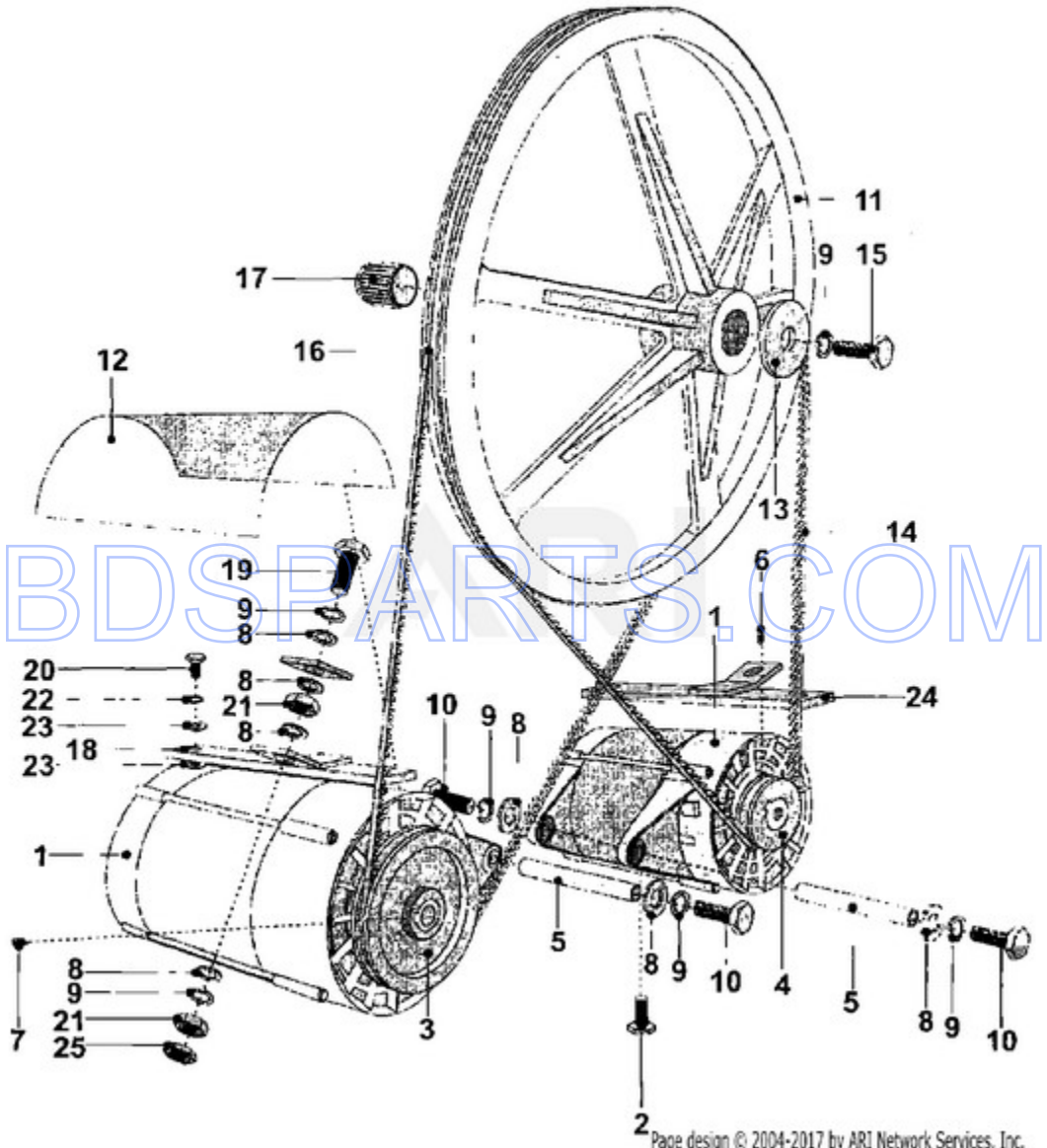
MFS25PNAVS - 04 - WATER SYSTEM





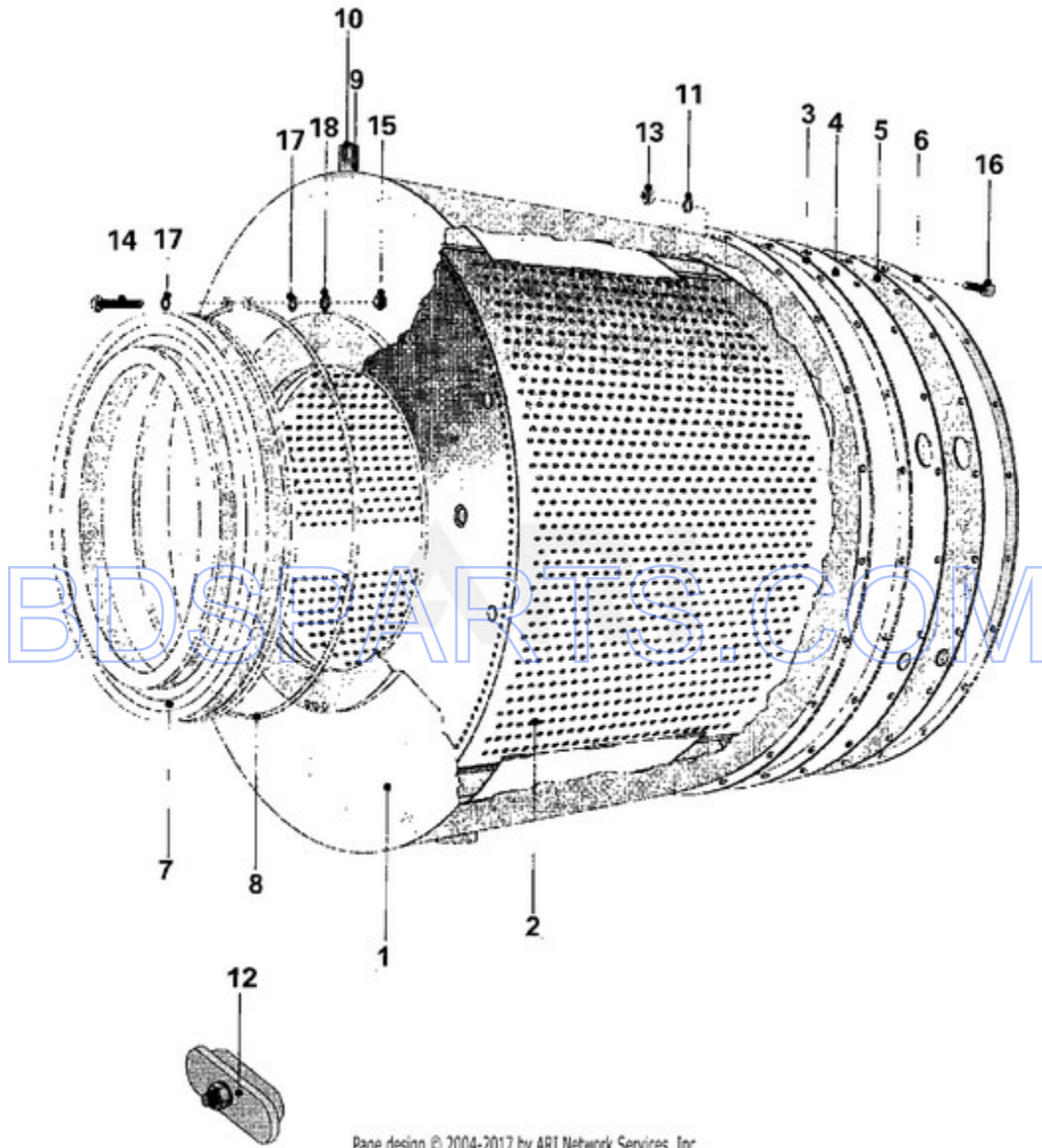
Ref #	Part #	Description	Qty	Context Note	MSRP
1	23001244	VALVE, DRAIN (240V-50/60HZ)	1	Series 11	
2	23001245	HOSE, TUB	1	Series 11	
3	23001549	HOSE, OUTLET (SOAPHOPPER) LU	1	Series 11	
4	23001549	HOSE, OUTLET (SOAPHOPPER) LU	1	Series 11	
5	23001247	HOSE, AIR DOME (30 CM)	1	Series 11	
6	23001248	HOSE, DRAIN	1	Series 11	
7	23001254	AIR VENT HOSE, SOAP BOX	1	Series 11	
8	23001251	HOSE, OVERFLOW	1	Series 11	
9	23001251	HOSE, OVERFLOW	1	Series 11	
10	23001252	HOSE, WATER LEVEL SWITCH	1	Series 11	
11	23001253	DRAIN TEE	1	Series 11	
12	23001268	HOSE, DRAIN (90 DIA.)	1	Series 11	
13	23001255	TEE, OVERFLOW HOSE	1	Series 11	
14	23003486	CELL, OPEN	1	Series 11	
15	23003487	WASHER, RUBBER	1	Series 11	
16	23001258	CLAMP, HOSE (70-90)	4	Series 11	
17	23001259	CLAMP, CORBIN (A17.5)	3	Series 11	
18	23001260	BUSHING, AIR DOME HOSE	1	Series 11	
19	23001261	CLAMP, HOSE (32-50)	5	Series 11	
20	23001262	CLAMP, HOSE (20-32)	3	Series 11	
21	23003488	WASHER	3	Series 11	
22	23003489	SCREW (M8X20)	2	Series 11	
23	23003490	WASHER, SPRING (M8)	3	Series 11	
24	23001266	NUT (M8)	1	Series 11	
25	23001267	BOLT (M8 X 120)	1	Series 11	
26	NLA	RING, CORBIN	1	Series 11	
27	23003491	WASHER (8.4)	1	Series 11	
28	23001248	HOSE, DRAIN	1	Series 11	
29	23001258	CLAMP, HOSE (70-90)	1	Series 11	

Ref #	Part #	Description	Qty	Context	Note	MSRP
		MFS25PNAVS - 05 - TWO MOTOR DRIVE				



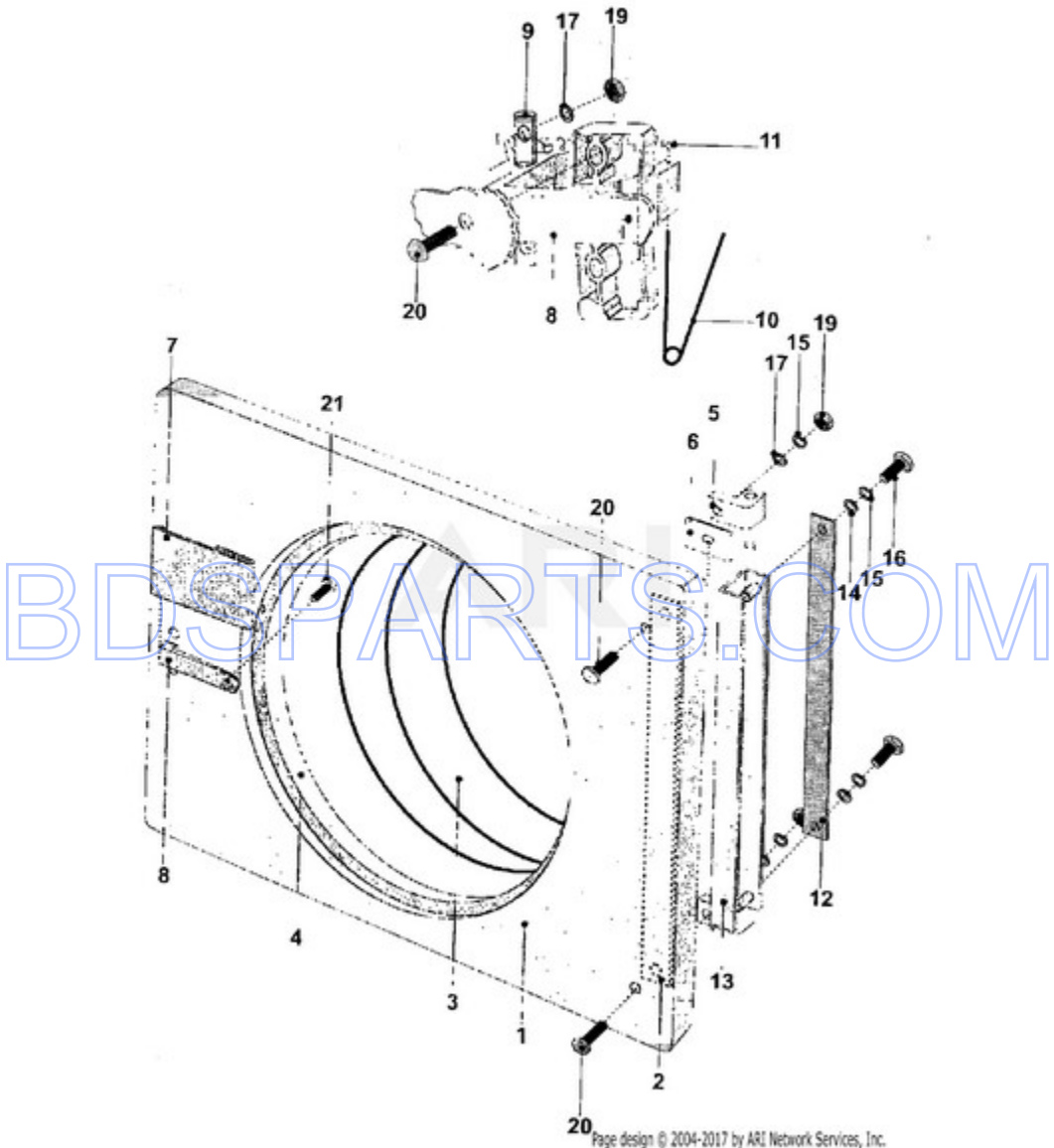
Ref #	Part #	Description	Qty	Context Note	MSRP
1	23003518	MOTOR	1	Series 11	
1	23003519	MOTOR (60HZ)	1	Series 11	
2	23001157	BOLT (M6 X 12 STAINLESS STEEL)	1	Series 11	
3	23003520	V-PULLEY (D100 60HZ)	1	Series 11	
4	23003521	V-PULLEY (D64 50HZ)	1	Series 11	
5	23003522	AXLE, MOTOR	1	Series 11	
6	23001289	SCREW, ALLEN SET (M8 X 10)	1	Series 11	
7	NLA	SCREW (M8X20)	14	Series 11	
8	23001292	WASHER (13)	8	Series 11	
9	23001419	WASHER (12)	9	Series 11	
10	NLA	BOLT (M12X30)	4	Series 11	
11	23001415	PULLEY, BASKET	1	Series 11	
12	NLA	COVER, PLASTIC	1	Series 11	
13	NLA	WASHER	1	Series 11	
14	23003525	V-BELT (10X1700)	1	Series 11	
15	23001418	BOLT M12X25	1	Series 11	
16	23003526	V-BELT (10X1616)	1	Series 11	
17	23001410	RING, TOLERANCE (DIA. 28)	1	Series 11	
18	23003527	BAR, TIGHTENING	1	Series 11	
19	NLA	SCREW (M12X80)	2	Series 11	
20	23001305	BOLT M8X25	1	Series 11	
21	23001303	NUT (M12)	4	Series 11	
22	23001265	WASHER (8)	1	Series 11	
23	23001253	DRAIN TEE	1	Series 11	
24	23003529	BAR, TIGHTENING	2	Series 11	
25	NLA	NUT (M12)	2	Series 11	

MFS25PNAVS - 06 - WASH DRUM AND TUB



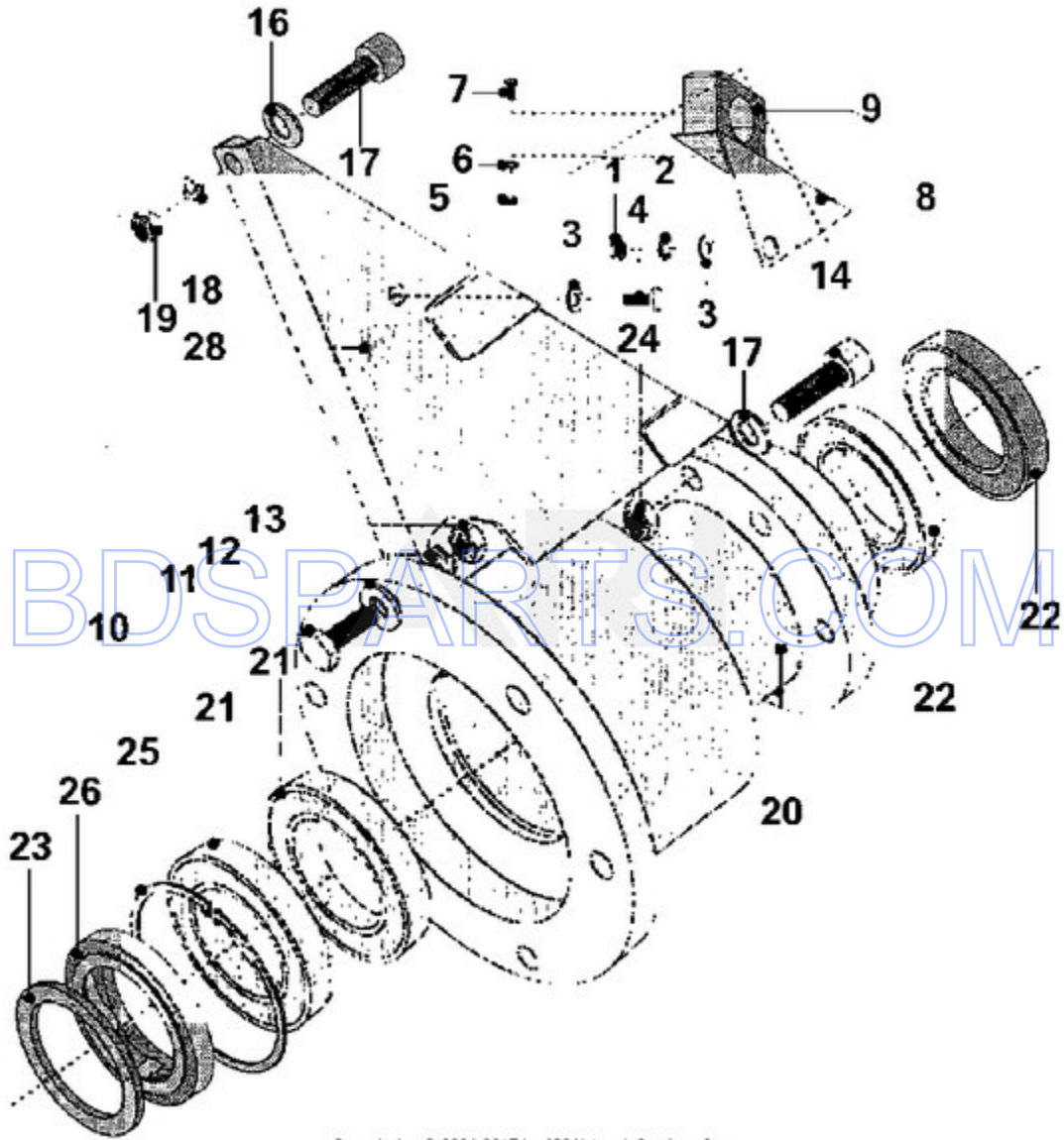
Ref #	Part #	Description	Qty	Context	Note	MSRP
1	23003534	TUB	1	Series	11	
2	23003535	DRUM	1	Series	11	
3	23001386	GASKET, SHELL (REAR)	1	Series	11	
4	NLA	PLATE, BACK (STNLS STEEL)	1	Series	11	
5	23001383	PLATE, BACK (IRON)	1	Series	11	
6	23003464	RING	1	Series	11	
7	23003536	HOUSING, TUB	1	Series	11	
8	23003537	RING, FIXATION	1	Series	11	
9	23003538	HOLDER	1	Series	11	
10	23003539	PASSAGE, CABLE	1	Series	11	
11	23001265	WASHER (8)	24	Series	11	
12	23001594	BLIND, HEATING ELEMENT	1	Series	11	
13	NLA	NUT M8	24	Series	11	
14	23003541	SCREW (M6X70)	1	Series	11	
15	23001034	NUT (M6)	1	Series	11	
16	23003542	SCREW (M8X45)	24	Series	11	
17	23001309	WASHER (6.4) LU	2	Series	11	
18	23001028	LOCK WASHER EXTERNAL TEETHM6LU	2	Series	11	

MFS25PNAVS - 07 - DOOR



Ref #	Part #	Description	Qty	Context Note	MSRP
1	23003543	DOOR	1	Series 11	
2	NLA	REINFORCEMENT	1	Series 11	
3	23003544	GLASS, DOOR	1	Series 11	
4	23001365	RUBBER, DOOR GLASS	1	Series 11	
5	23003545	BLOCS, HINGE LU	2	Series 11	
6	NLA	PLATES, REGULATING	2	Series 11	
7	23001614	DOORLOCK, HANDLEGRIP	1	Series 11	
7	23003631	HANDLE, DOOR (FRONT)	1	Series 14	
7	23003632	HANDLE, DOOR (BACK)	1	Series 14	
8	23001167	HANDLE, DOOR LEVER	1	Series 11	
8	23003633	LEVER, DOOR	1	Series 14	
9	23001168	SHAFT, LEVER	1	Series 11	
10	23001148	COIL SPRING, HANDLE LATCH BAR	1	Series 11	
10	23001169	SPRING, HANDLE LEVER	1	Series 14	
11	23001057	SPEEDNUT (M3)	1	Series 11	
12	NLA	REINFORCEMENT	1	Series 11	
13	23003548	HINGE, DOOR	2	Series 11	
14	23001159	WASHER (DIA. 14X8.6X1 STNLS)LU	2	Series 11	
15	23001158	WASHER (M6)	3	Series 11	
16	23001371	SCREW (M6 X 20 STNLS STEEL)	2	Series 11	
17	23001159	WASHER (DIA. 14X8.6X1 STNLS)LU	3	Series 11	
19	23001176	NUT (M6 STAINLESS STEEL)	3	Series 11	
20	23002937	SCREW (M6X26)	3	Series 11	
21	23001177	SCREW (M4 X 10)	1	Series 14	
21	NLA	SCREW (M4X8)	1	Series 11	

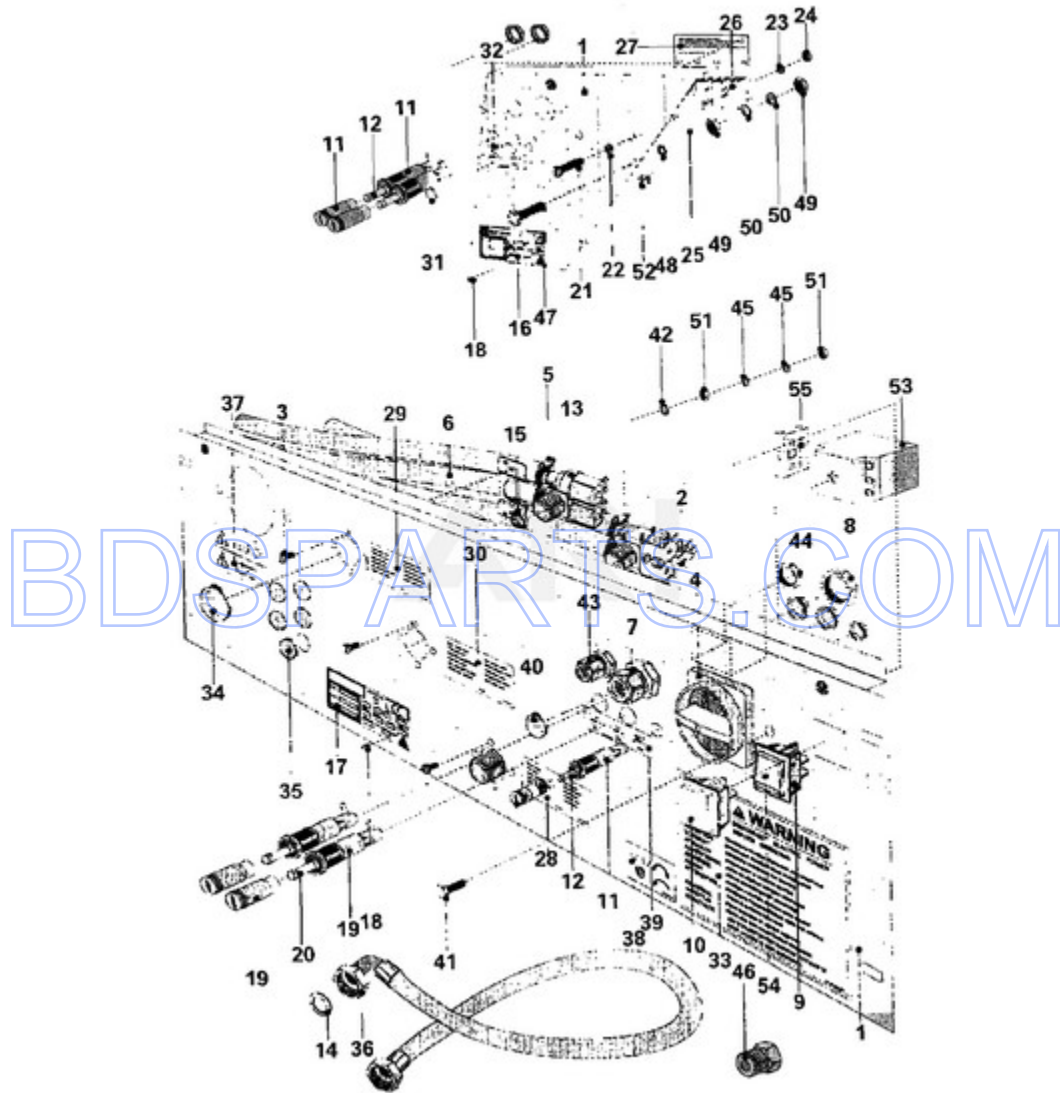
MFS25PNAVS - 08 - TRUNNION





Ref #	Part #	Description	Qty	Context	Note	MSRP
1	23001575	NUT, INSERT (M6)	1	Series	11	
2	23001028	LOCK WASHER EXTERNAL TEETHM6LU	1	Series	11	
3	23001309	WASHER (6.4) LU	1	Series	11	
4	23001026	BOLT (M6 X 16)	1	Series	11	
5	23001055	NUT (M4)	1	Series	11	
6	23001670	WASHER (M4)	1	Series	11	
7	23001089	SCREW (M4 X 16 CK)	1	Series	11	
8	23003555	HOLDER, THERMOSTAT	1	Series	11	
9	23003556	CLIP, CABLE	1	Series	11	
10	NLA	SCREW (M10X30)	6	Series	11	
11	23001201	WASHER (DIA. 22X11X1 BRASS)	6	Series	11	
12	23001400	LOCK WASHER, SPRING	6	Series	11	
13	23001240	NUT (M10)	6	Series	11	
14	NLA	BOLT (M10X40)	6	Series	11	
15	23001203	WASHER (DIA. 16 X 8.4 X 1.6)	6	Series	11	
15	23003553	SPOKE	3	Series	11	
16	23001263	WASHER (8.4)	3	Series	11	
17	NLA	WASHER (10.5)	3	Series	11	
18	23001265	WASHER (8)	3	Series	11	
19	23001306	LOCKING NUT, SELF	3	Series	11	
20	23003552	HOUSING, BEARING	1	Series	11	
21	23001231	BEARING (6209 2RS C3)	2	Series	11	
22	23001232	BEARING (REAR)	2	Series	11	
23	23001233	RING, SEAL	1	Series	11	
24	23003556	CLIP, CABLE	1	Series	11	
25	23001235	RING, INTERNAL SNAP	1	Series	11	
26	23001234	SEAL, WATER	1	Series	11	

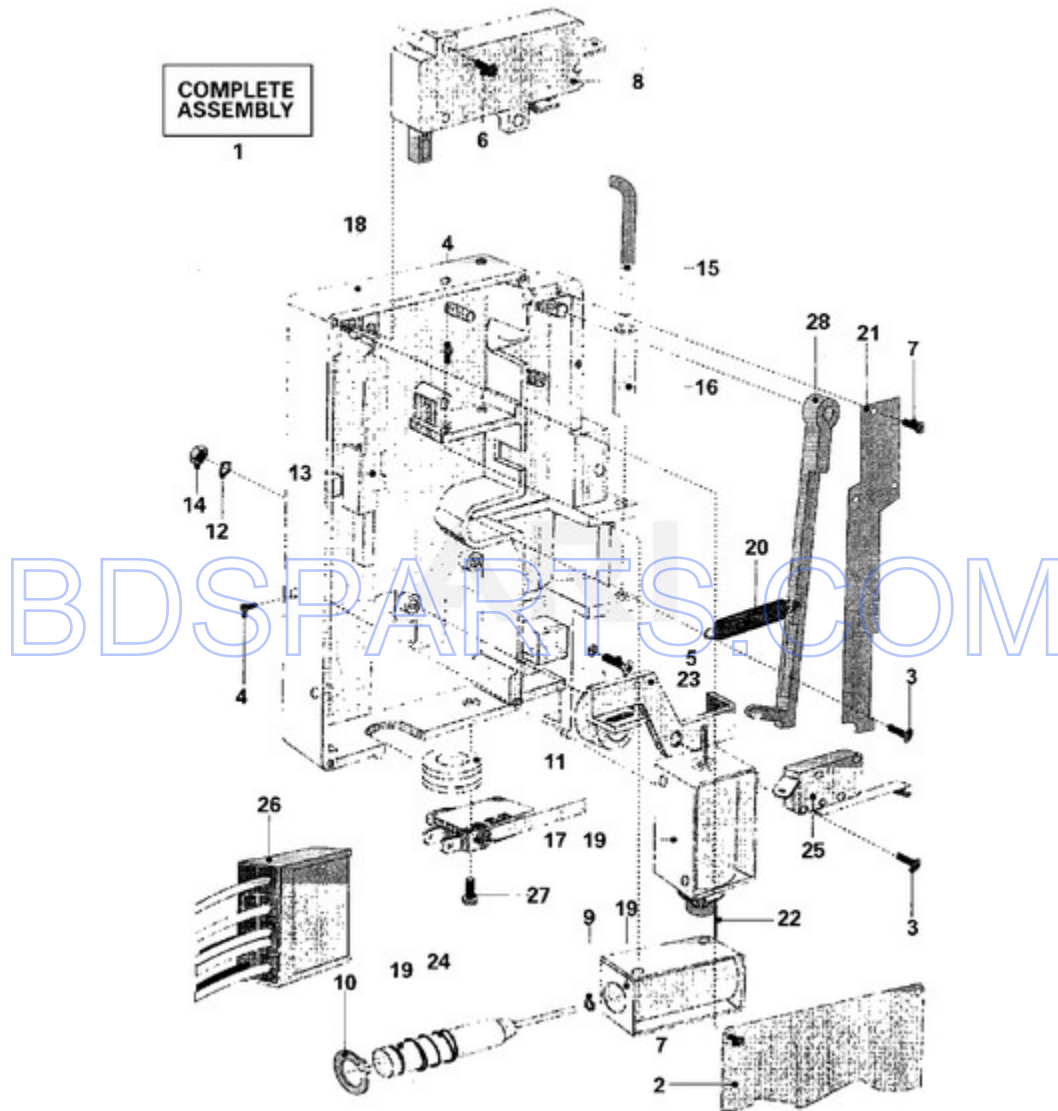
MFS25PNAVS - 09 - REAR PANEL



Ref #	Part #	Description	Qty	Context	Note	MSRP
1	23003629	PANEL, REAR	1	Series	11	
2	23001533	VALVE, THREE-WAY	1	Series	11	
3	NLA	SCREW (M4X6)	1	Series	11	
4	23003497	KNOB	1	Series	11	
5	23001506	CLAMP, HOSE	4	Series	11	
6	23001507	WATERHOSE (GREEN)	4	Series	11	
7	23002211	SWIVEL, CABLE	1	Series	11	
8	23003138	NUT	1	Series	11	
9	23001529	BUTTON (RAPID ADVANCE)	1	Series	11	
10	23001452	PLUG (WHT)	1	Series	11	
11	23001462	HOLDER, FUSE	3	Series	11	
12	23002919	FUSE (5A)	3	Series	11	
13	23001455	VALVE, TWO WAY (220V 50/60HZ)	1	Series	11	
14	23002921	WASHER, FILL HOSE	1	Series	11	
15	23003498	FILTER, VALVE	2	Series	11	
16	23003494	PLATE, SERIAL	1	Series	11	
16	NLA	PLATE, SERIAL (NEUTRAL)	1	Series	11	
17	23003387	IDENTIFICATION PLATE (EXPORT)	1	Series	11	
18	23001033	RIVETS, BLIND (DIA. 3.2 X 8)LU	1	Series	11	
19	23002210	HOLDER, FUSE	2	Series	11	
20	23003495	FUSE 1A	2	Series	11	
21	23001089	SCREW (M4 X 16 CK)	1	Series	11	
22	23001013	LOCKWASHER (EXTERNAL TEETH M4)	1	Series	11	
23	23001013	LOCKWASHER (EXTERNAL TEETH M4)	1	Series	11	
24	23001055	NUT (M4)	1	Series	11	
25	23001115	INSULATION PAPER	1	Series	11	
26	23002923	BOARD, TERMINAL	1	Series	11	
27	NLA	LABEL, TERMINAL	1	Series	11	
28	23001469	STICKER, HOT WATER	1	Series	11	
29	23001471	STICKER, COLD SOFT WATER	1	Series	11	
30	NLA	STICKER, COLD HARD WATER	1	Series	11	
31	NLA	PLUG (13)	1	Series	11	
32	NLA	STICKER (1A)	1	Series	11	
33	23001465	STICKER, ELECTRICITY WARNING	1	Series	11	
34	23001476	PLUG, WATER INLET	1	Series	11	
35	NLA	PLUG (13)	1	Series	11	
36	23003496	HOSE, INLET	1	Series	11	
37	23002053	LABEL, WARNING VENT OUT	1	Series	11	
38	23001468	STICKER, SPIN DIRECTION	1	Series	11	

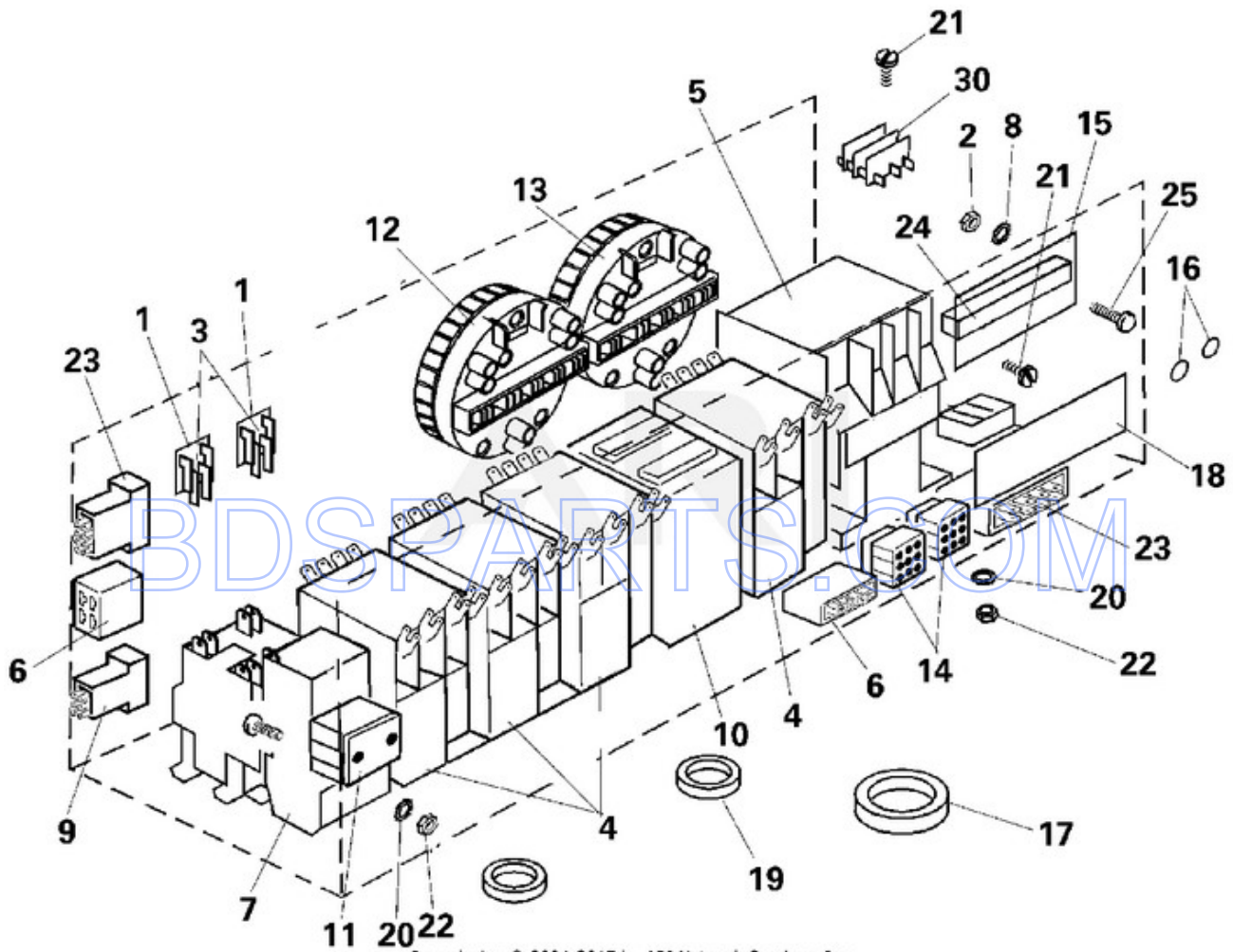
Ref #	Part #	Description	Qty	Context	Note	MSRP
39	23003328	STICKER (1A 400V)	1	Series	11	
40	23001476	PLUG, WATER INLET	1	Series	11	
41	23001311	BOLT (M6 X 25)	1	Series	11	
42	23001028	LOCK WASHER EXTERNAL TEETHM6LU	1	Series	11	
43	23002196	SWIVEL, CABLE	1	Series	11	
44	23002197	NUT	1	Series	11	
45	23001313	WASHER (6.4)	2	Series	11	
46	23001477	ADAPTER (3/4`` PIPE TO 3/4`` HOS	1	Series	11	
47	23001311	BOLT (M6 X 25)	1	Series	11	
48	23001028	LOCK WASHER EXTERNAL TEETHM6LU	1	Series	11	
49	23001312	NUT (M6)	1	Series	11	
50	23001313	WASHER (6.4)	2	Series	11	
51	23001312	NUT (M6)	2	Series	11	
52	23003499	LABEL PE	2	Series	11	
53	23003500	SWITCH, MAIN (25A)	1	Series	11	
53	23003501	SWITCH, MAIN (32A)	1	Series	11	
53	23003502	SWITCH, MAIN (63A)	1	Series	11	
53	23003503	SWITCH, MAIN (80A)	1	Series	11	
54	23001532	COVER, BUTTON (PLASTIC)	1	Series	11	
55	23003504	POLE, NUETRAL (25/32A)	1	Series	11	
55	23003505	POLE, NUETRAL (63A)	1	Series	11	
55	23003506	POLE, NUETRAL (80A)	1	Series	11	

# MFS25PNAVS - 10 - DOOR LOCK



Ref #	Part #	Description	Qty	Context	Note	MSRP
1	Y23002897	LOCK, DOOR (COMPLETE)	1	Series	11	
2	23001130	PLATE, COVER (STNLS STEEL)	1	Series	11	
3	23001131	SCREW (M3 X 14 CROSS RECESSED)	4	Series	11	
4	23001132	SCREW (M3 X 4 CROSS RECESSED)	4	Series	11	
5	23001133	SCREW (M5X25 STAINLESS STEEL)	1	Series	11	
6	23001070	SCREW (M4X10)	2	Series	11	
7	23003485	SCREW	4	Series	11	
8	23001135	BIMETAL, ACTUATOR (230V)	1	Series	11	
9	23001136	WASHER (DIA. 5.1 X 3.3 X 0.1)	1	Series	11	
10	23001137	RING, RETAINING (G10)	1	Series	11	
11	23001138	BUSHING, CABLE PASSAGE	1	Series	11	
12	23001333	LOCK WASHER (M5) LU	4	Series	11	
13	23001140	BAR, LOCKING	1	Series	11	
14	23001334	NUT (M5) LU	4	Series	11	
15	23001142	RETAINER, LOCK TUBE (DIA.4X45)	1	Series	11	
16	23001143	LOCK TUBE (DIA. 4X23.5 STNLS)	1	Series	11	
17	23001145	MICROSWITCH, LONG LEVER	1	Series	11	
18	Y23002898	GROUND, PLATE LOCK	1	Series	11	
19	23001146	COIL (240V)	1	Series	11	
20	23002900	SPRING, LOCKING PART	1	Series	11	
21	23001149	LEAF SPRING, LATCH BAR	1	Series	11	
22	23002901	CORD, OPENING	1	Series	11	
23	23001153	LEVER, EMERGENCY OPENING	1	Series	11	
24	23002903	SPRING, LOCKING PART	1	Series	11	
25	23002337	MICROSWITCH W/ ROLLER ARM	1	Series	11	
26	23002905	WIRING, DOOR LOCK	1	Series	11	
27	23002906	SCREW (M3X25)	2	Series	11	
28	23002899	HANDLE, LOCKING PART	1	Series	11	

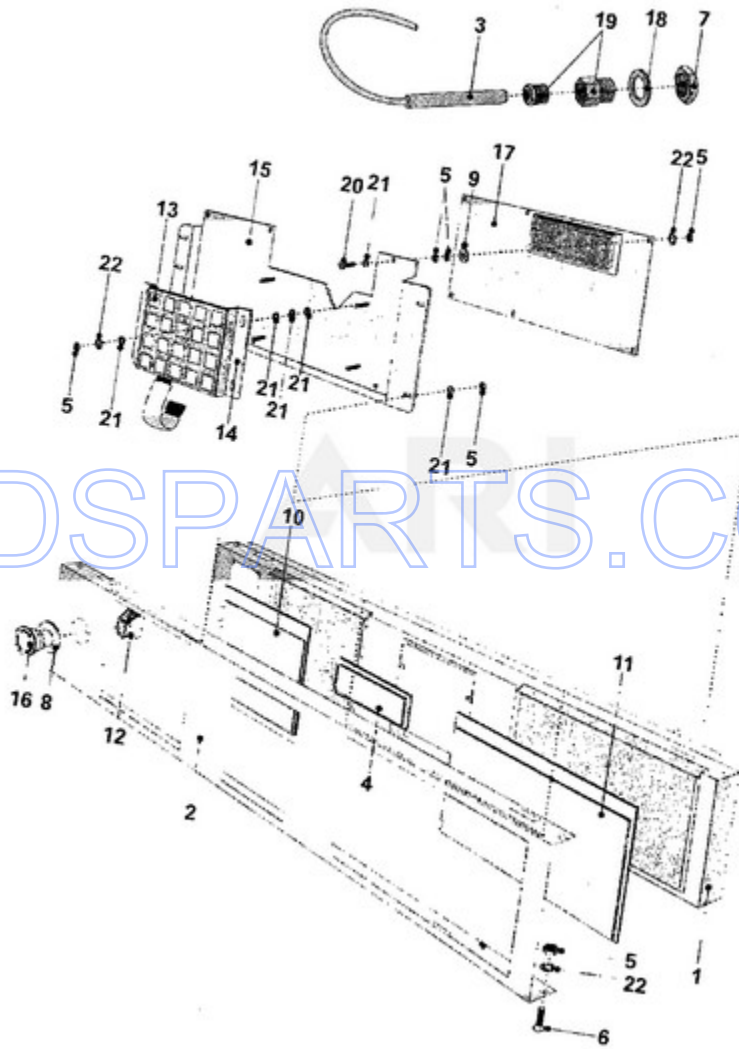
MFS25PNAVS - 11 - INTERNAL CONTROLS



Ref #	Part #	Description	Qty	Context Note	MSRP
1	23001094	BRIDGE, RECTIFIER	2	Series 11	
2	23001312	NUT (M6)	16	Series 11	
3	23001099	PC BOARD SOCKET	2	Series 11	
4	23001100	CONTACTOR (LC1-D0901 M7)	4	Series 11	
4	23001119	MECHANICAL INTERLOCK, CONTACTO	1	Series 11	
4	23003762	MECHANICAL INTERLOCK	1	Series 21	
5	23001101	CONTACTOR (LC1-D1201 M7)	1	Series 11	
5	23001102	CONTACTOR (LC1-D1801 M7)	1	Series 11	
5	23001103	CONTACTOR (LC1-D3201 M7)	1	Series 11	
6	23001116	CONNECTOR HOUSING (4 POLE)	1	Series 11	
7	23001106	RELAY, THERMAL OVERLOAD (4-6A)	1	Series 11	
7	23001107	RELAY, THERMAL OVERLOAD(12-18A	1	Series 11	
7	23001108	RELAY, THERMAL OVERLOAD (7-10A	1	Series 11	
7	23001359	RELAY, THERMAL OVERLOAD(2.5-4A	1	Series 11	
7	23002101	RELAY, OVERLOAD (LR2-D1312)	1	Series 11	
8	23001028	LOCK WASHER EXTERNAL TEETHM6LU	4	Series 11	
9	23001112	CONNECTOR HOUSING (6 POLE)	1	Series 11	
10	23002348	TRANSFORMER, CONTROL CIRCUIT	1	Series 11	
11	23002959	CONNECTOR	1	Series 11	
12	23003531	SWITCH, WATER LEVEL	1	Series 11	
13	23003532	SWITCH, WATER LEVEL	1	Series 11	
14	23003533	CONNECTOR (9-POLE/FEMALE)	2	Series 11	
15	23001115	INSULATION PAPER	1	Series 11	
16	NLA	LABEL, EARTH	2	Series 11	
17	23001117	RING, RUBBER (DIA. 25)	1	Series 11	
18	23001118	STICKER, LIQUID SOAP	1	Series 11	
19	23001138	BUSHING, CABLE PASSAGE	4	Series 11	
20	23001013	LOCKWASHER (EXTERNAL TEETH M4)	12	Series 11	
21	23001089	SCREW (M4 X 16 CK)	2	Series 11	
22	23001055	NUT (M4)	14	Series 11	
23	23001109	CONNECTOR HOUSING (8 POLE)	1	Series 11	
24	23002154	BOARD, TERMINAL (6 POLES)	1	Series 11	
25	23001311	BOLT (M6 X 25)	4	Series 11	



MFS25PNAVS - 12 - CONTROL PANEL



Ref #	Part #	Description	Qty	Context	Note	MSRP
1	23003558	PANEL, CONTROL	1	Series	11	
2	23003559	FACIA, CONTROL PANEL	1	Series	11	
3	23001073	SENSOR, TEMPERATURE	1	Series	11	
4	23003560	DISPLAY	1	Series	11	
5	23001055	NUT (M4)	26	Series	11	
6	23001461	SCREW	6	Series	11	
7	23002936	NUT, SENSOR BUSHING	1	Series	11	
8	23002330	LABEL, CENTRAL STOP	1	Series	11	
9	23002951	WASHER, FIBER	6	Series	11	
10	NLA	PLEXI, INSERT CARD INSTRCTION	1	Series	11	
11	NLA	PLEXI, INSERT CARD PROGRAM	1	Series	11	
12	23002331	CONTACTOR, CENTRAL STOP	1	Series	11	
13	23001692	KEYBOARD (MEMBRANE SWITCH)	1	Series	11	
14	23001083	BRACKET, KEYBOARD	1	Series	11	
15	23001084	BACK PLATE, ELECTRONIC BOARD	1	Series	11	
16	23002332	KNOB, CENTRAL STOP	1	Series	11	
17	23002949	PROGRAMMER	1	Series	11	
17	23003742	CONTROLLER, ENGLISH, SPANISH	1	Series	11	
18	23002179	WASHER	1	Series	11	
19	23001592	ADAPTOR	1	Series	11	
20	23001089	SCREW (M4 X 16 CK)	6	Series	11	
21	23001056	WASHER (4.3)	22	Series	11	
22	23001013	LOCKWASHER (EXTERNAL TEETH M4)	1	Series	11	