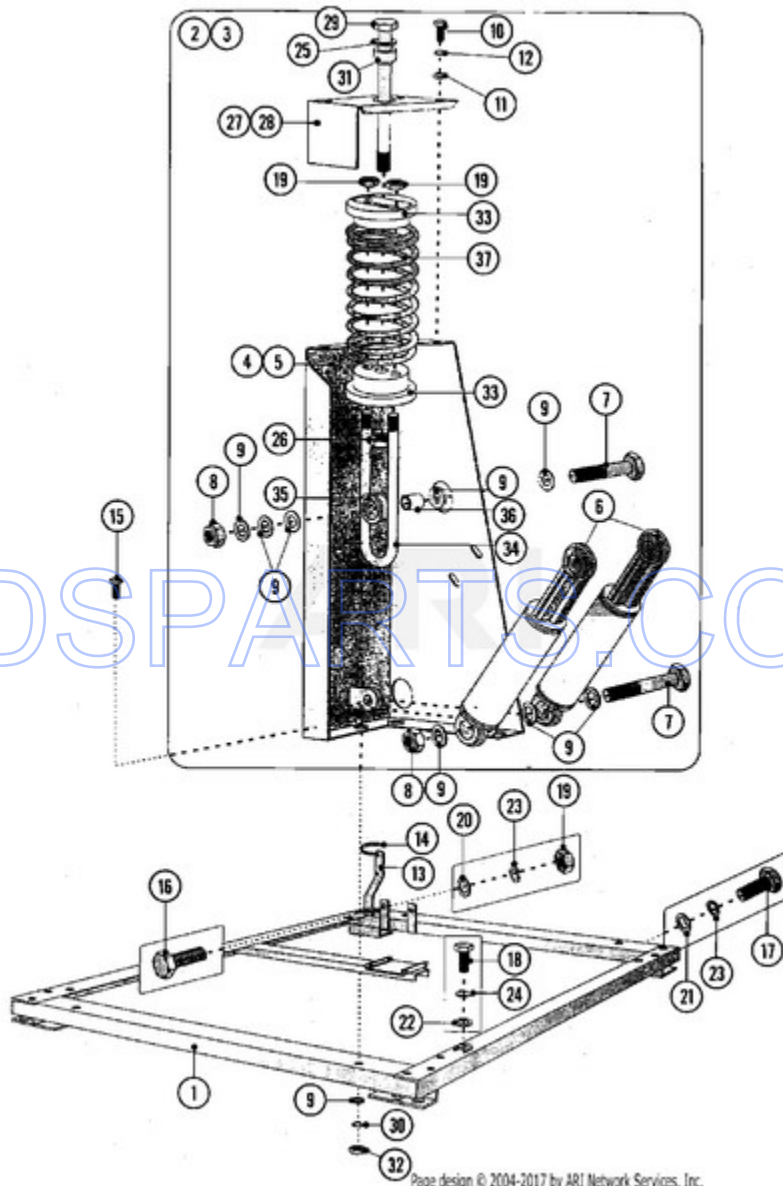
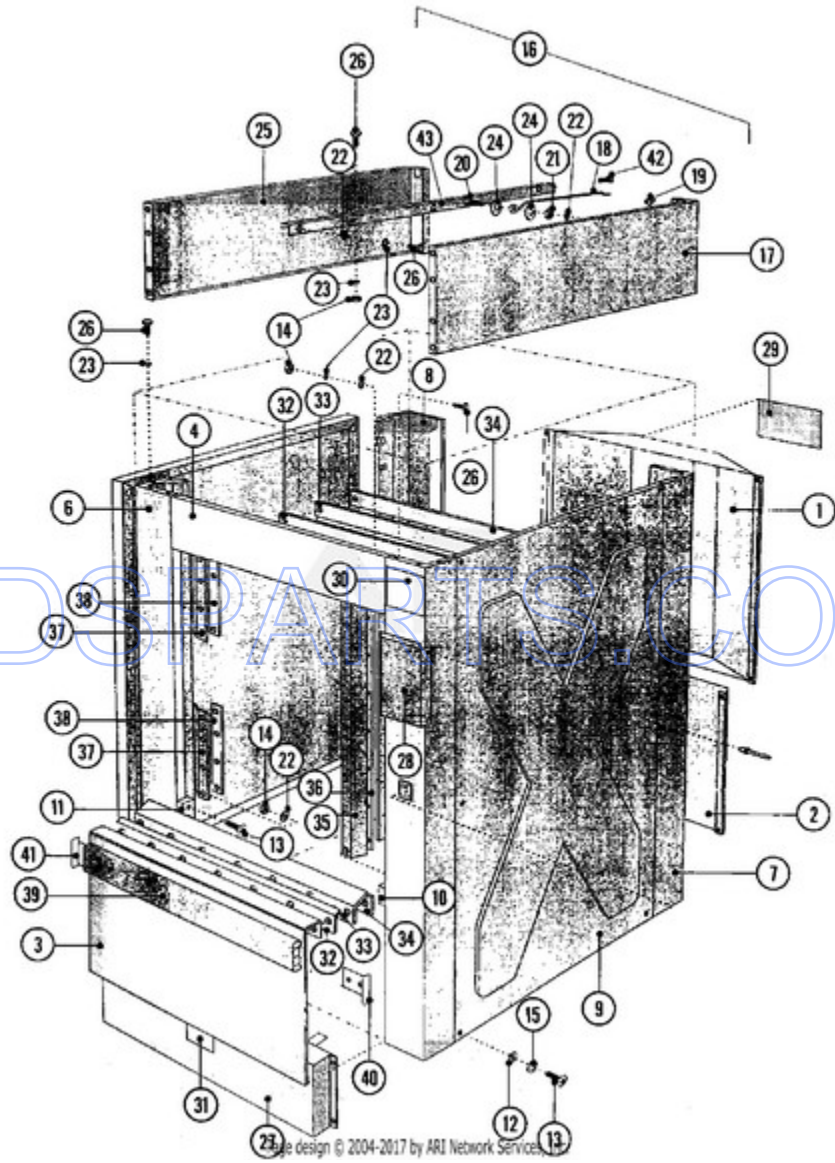


MFS50PNAVS - 01 - BASE



Ref #	Part #	Description	Qty	Note
1	23002978	FRAME, FOUNDATION	1	Series 10
2	23002979	LEG (COMPLETE)	2	Series 10
3	23002980	LEG (COMPLETE)	2	Series 10
4	23002981	LEG	2	Series 10
5	23002982	LEG	2	Series 10
6	23002983	DAMPER (RD 12-2)	8	Series 10
7	23002984	SCREW (M10X80)	4	Series 10
8	23002356	NUT (M10)	4	Series 10
9	23002655	WASHER (10/5)	14	Series 10
10	23002354	SCREW (M6X16)	20	Series 10
11	23002282	WASHER (6)	20	Series 10
12	23002357	WASHER	20	Series 10
13	23002985	HOLDER	1	Series 10
14	23002986	STRIP, BINDING	2	Series 10
15	23002987	SCREW (M10X30)	16	Series 10
16	23002475	BOLT (M8X20)	1	Series 10
17	23001784	BOLT (M8X14)	1	Series 10
18	23001733	SCREW (M6X10)	1	Series 10
19	23002435	NUT (M8)	6	Series 10
20	23002653	WASHER (8/6)	6	Series 10
21	NLA	WASHER (8.4)	1	Series 10
22	23002726	WASHER (6)	1	Series 10
23	23002358	WASHER (M8)	7	Series 10
24	23002357	WASHER	1	Series 10
25	23002988	WASHER (10.5)	4	Series 10
26	23002356	NUT (M10)	8	Series 10
27	23002989	PLATE, SMALL	2	Series 10
28	23002990	PLATE, SMALL	2	Series 10
29	23002991	SCREW	4	Series 10
30	23002654	WASHER (10)	16	Series 10
31	23002992	BUSHING, SUSPENSION BOLT	4	Series 10
32	23001661	NUT M10	16	Series 10
33	23002993	HOLDER, SPRING (PLASTIC)	8	Series 10
34	23002994	HOOK, SUSPENSION	4	Series 10
35	23002692	SLEEVE	4	Series 10
36	23002995	PIECE, INSERTION	4	Series 10
37	23002996	SPRING	4	Series 10

MFS50PNAVS - 02 - CABINET

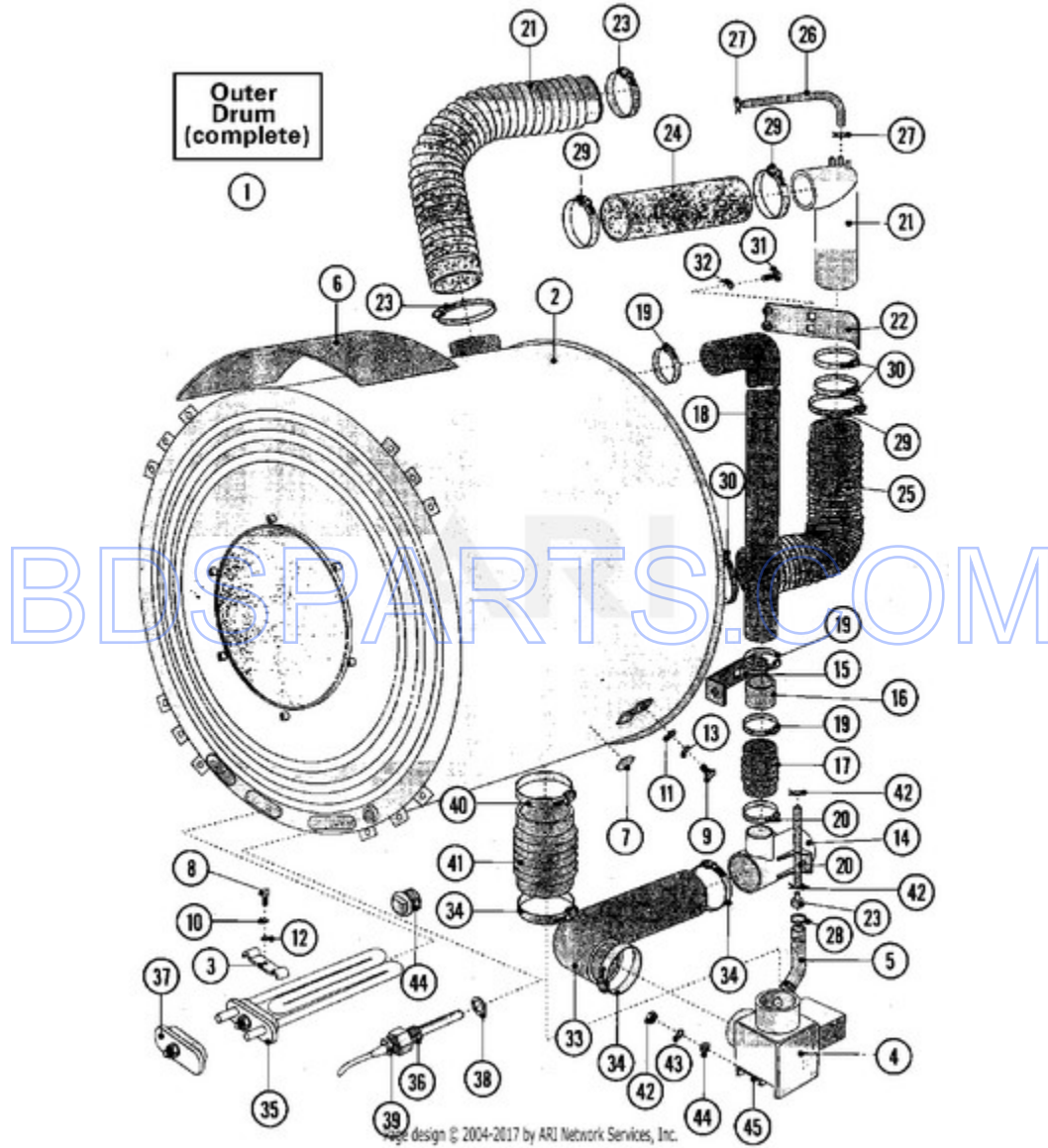


Ref #	Part #	Description	Qty	Context	Note	MSRP
1	23002997	COVER, UPPER (REAR)	1	Series	10	
2	23002998	COVER, REAR (LOWER)	1	Series	10	
2	23002999	COVER, REAR (LOWER-STEAM)	1	Series	10	
3	23003000	COVER, FRONT (LOWER)	1	Series	10	
4	23003001	COVER, FRONT (UPPER)	1	Series	10	
5	23003002	COVER, CORNER (FRONT-RIGHT)	1	Series	10	
6	23003003	COVER, CORNER (FRONT-LEFT)	1	Series	10	
7	23003004	COVER, CORNER (REAR-LEFT)	1	Series	10	
8	23003005	COVER, CORNER (REAR-RIGHT)	1	Series	10	
9	23003006	COVER, SIDE	2	Series	10	
10	23003007	SUPPORT, PLASTIC (LEFT)	1	Series	10	
11	23003008	SUPPORT, PLASTIC (RIGHT)	1	Series	10	
12	23002458	WASHER (FIBER)	16	Series	10	
13	23002375	SCREW (M6X40)	20	Series	10	
14	23002436	NUT (M6)	8	Series	10	
15	23001337	WASHER, FINISHING	16	Series	10	
16	23003010	COVER (COMPLETE)	1	Series	10	
17	23003011	COVER	1	Series	10	
18	23001330	SUPPORT ROD, TOP PANEL	1	Series	10	
19	NLA	HOOK, STICK	1	Series	10	
20	23002463	SCREW (M6X30)	1	Series	10	
21	23002471	NUT	1	Series	10	
22	23002282	WASHER (6)	12	Series	10	
23	23002357	WASHER	3	Series	10	
24	23003012	WASHER LU	2	Series	10	
25	NLA	COVER	1	Series	10	
26	23002354	SCREW (M6X16)	22	Series	10	
27	NLA	COVER, HEATING UNIT	1	Series	10	
28	NLA	POCKET	1	Series	10	
29	23001550	LABEL, EARTH	1	Series	10	
30	23002190	LABEL, ENGLISH	1	Series	10	
30	NLA	LABEL, NOTICE	1	Series	10	
31	NLA	LABEL, FLASH	1	Series	10	
32	NLA	BAR	2	Series	10	
33	NLA	STRIP, PREVENTING	2	Series	10	
34	NLA	STRIP	2	Series	10	
35	NLA	STRIP, PREVENTING	1	Series	10	
36	23003028	STRIP	1	Series	10	
37	NLA	STRIP, PREVENTING	2	Series	10	

Ref #	Part #	Description	Qty	Context Note	MSRP
38	NLA	STRIP	2	Series 10	
39	23002411	PROFILE	1	Series 10	
40	23002410	BAR, SIDE	2	Series 10	
41	23002409	BAR, INSIDE	1	Series 10	
42	23002861	SCREW (M6X25) LU	2	Series 10	
43	NLA	HOLDER (COMPLETE)	1	Series 10	

BDSPARTS.COM

MFS50PNAVS - 03 - BASKET & OUTER SHELL ASSEMBLY

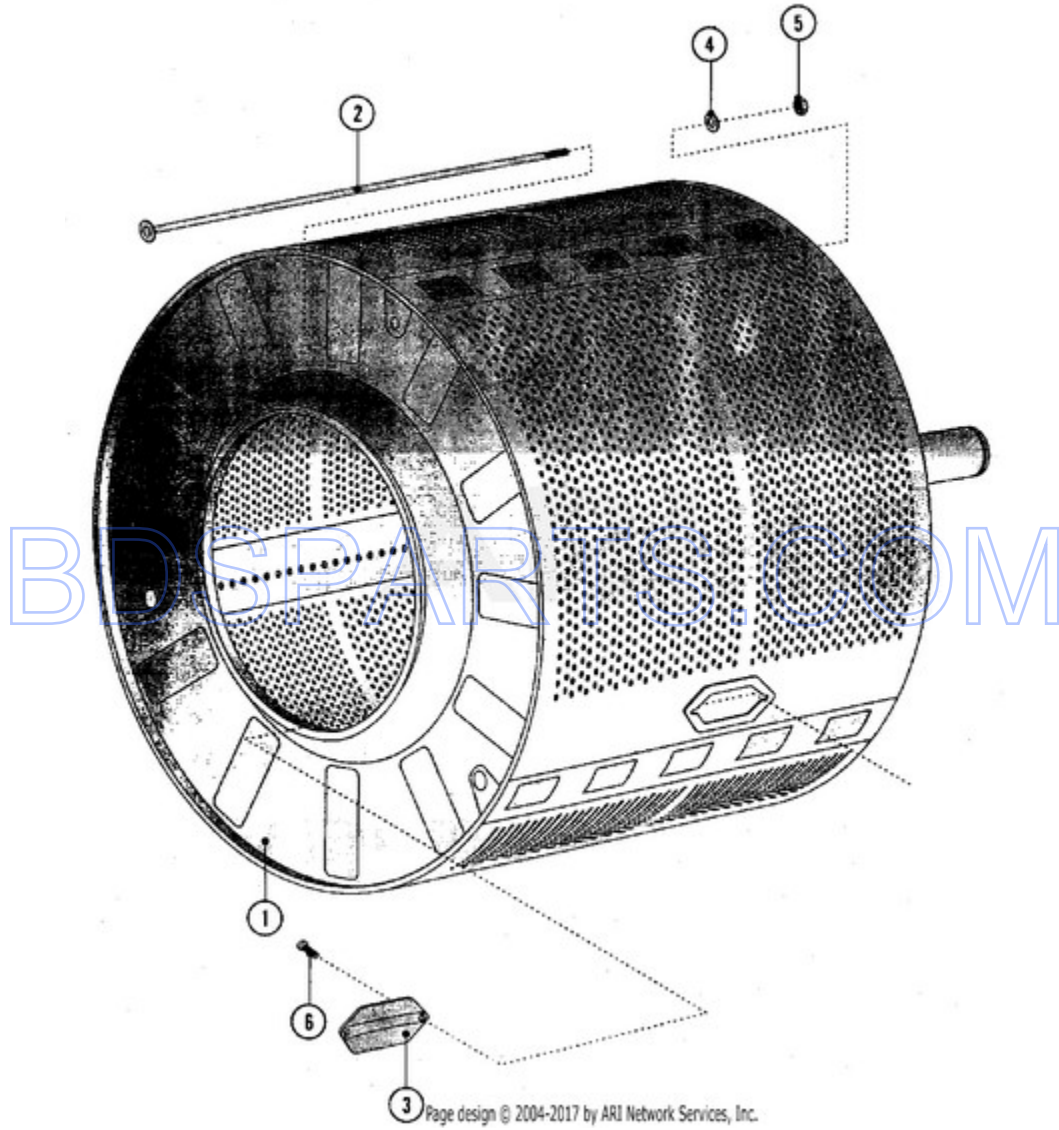


Ref #	Part #	Description	Qty	Context	Note	MSRP
1	23003032	DRUM, OUTER (COMPLETE)	1	Series	10	
2	23003033	DRUM, OUTSIDE	1	Series	10	
3	NLA	GRIP	1	Series	10	
4	23001244	VALVE, DRAIN (240V-50/60HZ)	1	Series	10	
5	23003035	ELBOW	1	Series	10	
6	23003036	PLATE, BLACK	1	Series	10	
7	NLA	LABEL, EARTH	1	Series	10	
8	23001781	BOLT (M4X10)	3	Series	10	
9	23001733	SCREW (M6X10)	1	Series	10	
10	23002129	WASHER (M4)	3	Series	10	
11	23002129	WASHER (M4)	1	Series	10	
12	23002674	SPRING, LOCK WASHER	3	Series	10	
13	23002357	WASHER	1	Series	10	
14	23001253	DRAIN TEE	1	Series	10	
15	NLA	HOLDER, OVERFLOW HOSE	1	Series	10	
16	23003038	TUBE	1	Series	10	
17	23003039	HOSE, RUBBER	1	Series	10	
18	23002017	HOSE, OVERFLOW	1	Series	10	
19	23001261	CLAMP, HOSE (32-50)	4	Series	10	
20	23001252	HOSE, WATER LEVEL SWITCH	1	Series	10	
21	23003040	ELBOW	1	Series	10	
22	23003041	HOLDER, AIR BREAK	1	Series	10	
23	23001260	BUSHING, AIR DOME HOSE	1	Series	10	
24	23001589	TUBE, SOAP BOX (1=210MM)	1	Series	10	
25	23003042	HOSE, RUBBER	1	Series	10	
26	23002193	HOSE	1	Series	10	
27	23001506	CLAMP, HOSE	1	Series	10	
28	23001262	CLAMP, HOSE (20-32)	2	Series	10	
29	23001256	CLAMP, HOSE (60-80)	3	Series	10	
30	23001750	RING, CLAMP (40-60)	3	Series	10	
31	23001641	SCREW (M6X16)	2	Series	10	
32	23002130	WASHER (6)	2	Series	10	
33	23003043	ELBOW	1	Series	10	
34	23001258	CLAMP, HOSE (70-90)	3	Series	10	
35	23002482	ELEMENT, HEAT 100-125LB	3	Series	10	
36	23001073	SENSOR, TEMPERATURE	1	Series	10	
37	23001594	BLIND, HEATING ELEMENT	1	Series	10	
38	23002179	WASHER	1	Series	10	
39	23001592	ADAPTOR	1	Series	10	

Ref #	Part #	Description	Qty	Context Note	MSRP
40	23001025	CLAMP, HOSE (DIA 90/110)	1	Series 10	
41	23003044	HOSE, RUBBER OUTLET	1	Series 10	
42	23001257	CLAMP, CORBIN (A5.5)	2	Series 10	
43	23002358	WASHER (M8)	1	Series 10	
44	23002653	WASHER (8/6)	1	Series 10	
45	NLA	SCREW (M8X20)	1	Series 10	
46	23002435	NUT (M8)	2	Series 10	

BDSPARTS.COM

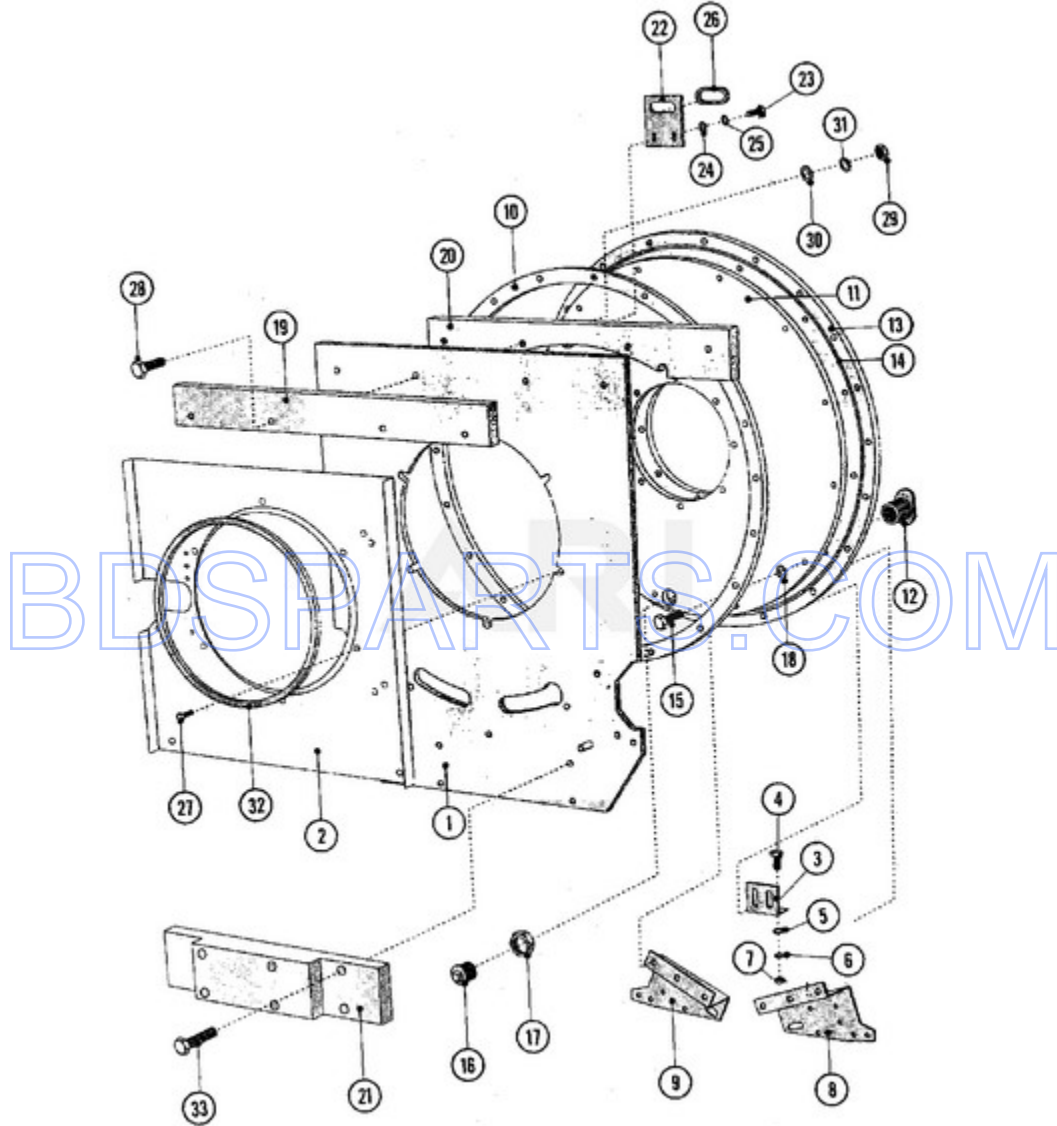
MFS50PNAVS - 04 - INNER TUB



Ref #	Part #	Description	Qty	Context	Note	MSRP
1	23003046	DRUM, WASHING	1	Series	10	
2	23003047	BOLT	3	Series	10	
3	23002259	COVER	1	Series	10	
4	23002258	WASHER M14	3	Series	10	
5	NLA	NUT (M10)	3	Series	10	
6	23002617	SCREW (M4X8)	2	Series	10	

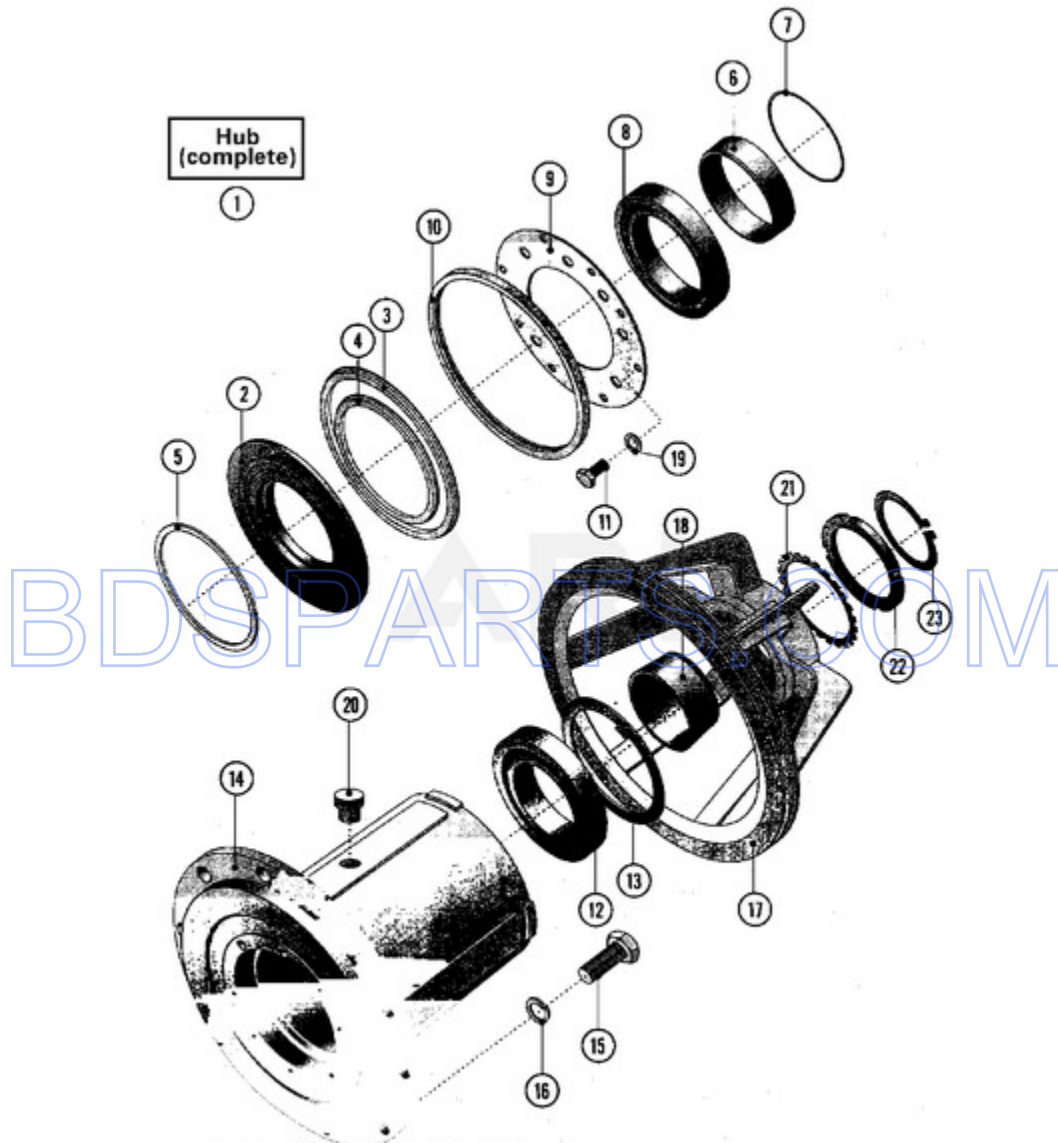
BDSPARTS.COM

MFS50PNAVS - 05 - FRONT COUNTER WEIGHT



Ref #	Part #	Description	Qty	Context	Note	MSRP
1	23003049	COUNTER WEIGHT (FRONT)	1	Series	10	
2	23003050	COVER	1	Series	10	
3	23003051	SUPPORT	1	Series	10	
4	23002987	SCREW (M10X30)	2	Series	10	
5	23002655	WASHER (10/5)	2	Series	10	
6	23002654	WASHER (10)	2	Series	10	
7	23001661	NUT M10	2	Series	10	
8	23003052	HOLDER, DAMPER	1	Series	10	
9	23003053	DAMPER, HOLDER	1	Series	10	
10	23003054	RING, ASSEMBLING DRUM	1	Series	10	
11	23003055	PLATE, BACK	1	Series	10	
12	23003056	JOINT, SCREW	1	Series	10	
13	23003057	PLATE, BACK (CAST IRON)	1	Series	10	
14	23003058	SEALING	1	Series	10	
15	23002353	SCREW (M6X12)	20	Series	10	
16	23002480	PLUG (3/4)	1	Series	10	
17	23003059	NUT, BINDING	1	Series	10	
18	23002281	WASHER (6-COPPER)	20	Series	10	
19	23003060	WEIGHT (UPPER)	1	Series	10	
20	23003061	WEIGHT (UPPER-2)	2	Series	10	
21	23003062	WEIGHT (LOWER)	2	Series	10	
22	23003063	PLATE, OUT OF BALANCE	1	Series	10	
23	23002462	SCREW (M6 X 20) LU	2	Series	10	
24	23002282	WASHER (6)	2	Series	10	
25	23002357	WASHER	2	Series	10	
26	23001117	RING, RUBBER (DIA. 25)	1	Series	10	
27	23002721	SCREW (M4X12)	6	Series	10	
28	NLA	SCREW (M8X80)	8	Series	10	
29	23002435	NUT (M8)	10	Series	10	
30	23002653	WASHER (8/6)	10	Series	10	
31	23002358	WASHER (M8)	10	Series	10	
32	23001088	RUBBER TRIM	1	Series	10	
33	NLA	SCREW (M10X120)	8	Series	10	

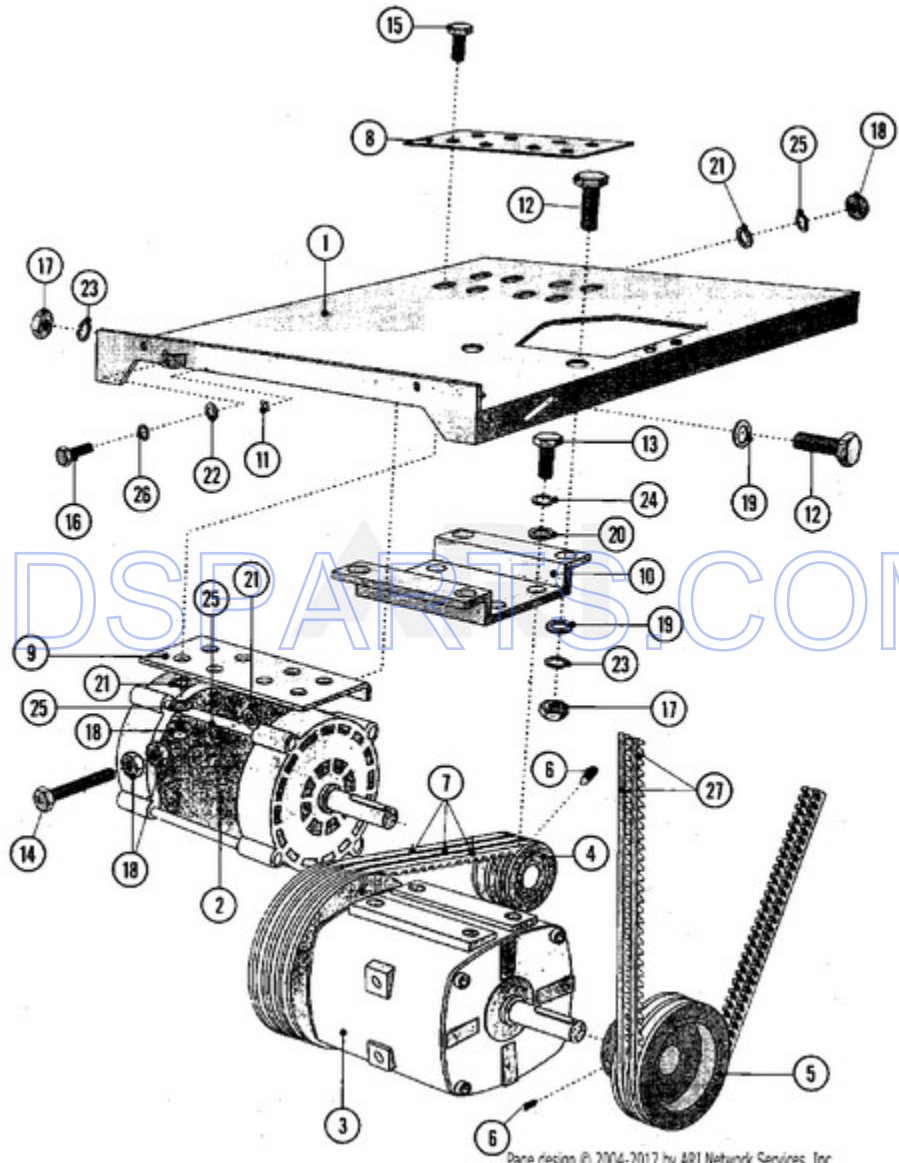
MFS50PNAVS - 06 - BEARINGS & TRUNNION ASSEMBLY



Ref #	Part #	Description	Qty	Context	Note	MSRP
1	23003066	HUB (COMPLETE) LU	1	Series	10	
2	23003067	DISK	1	Series	10	
3	23003068	SEALING	1	Series	10	
4	23003069	SEALING	1	Series	10	
5	23003070	O-RING	1	Series	10	
6	23003071	RING	1	Series	10	
7	23003072	RING	1	Series	10	
8	23003073	BEARING	1	Series	10	
9	23003074	BOARD, PACKING	1	Series	10	
10	23003075	U-SEALING	1	Series	10	
11	23002353	SCREW (M6X12)	1	Series	10	
12	23003076	BEARING	1	Series	10	
13	23003077	RING, RETAINING	1	Series	10	
14	23003078	HUB	1	Series	10	
15	23003079	SCREW (M12X40)	16	Series	10	
16	23002658	WASHER (12)	16	Series	10	
17	23003080	PULLEY, BELT	1	Series	10	
18	23001653	BUSHING	1	Series	10	
19	23002281	WASHER (6-COPPER)	1	Series	10	
20	23003081	STOPPER	1	Series	10	
21	23001868	RING, SAFETY	1	Series	10	
22	23001867	RING, FASTENING	1	Series	10	
23	23003082	RING, RETAINING	1	Series	10	

BDS PARTS.COM

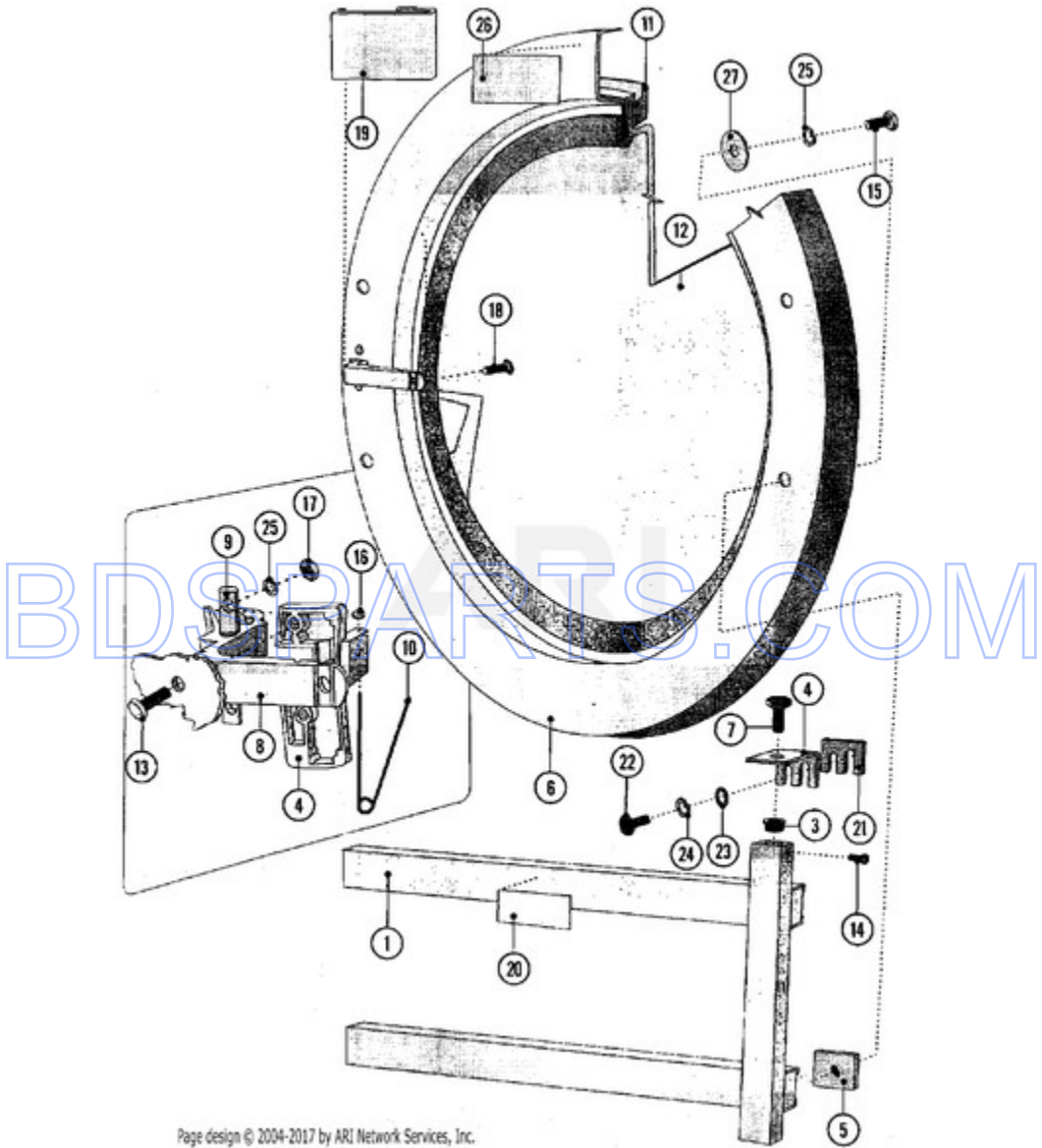
MFS50PNAVS - 07 - MOTOR & BASKET PULLEY



BDS PARTS.COM

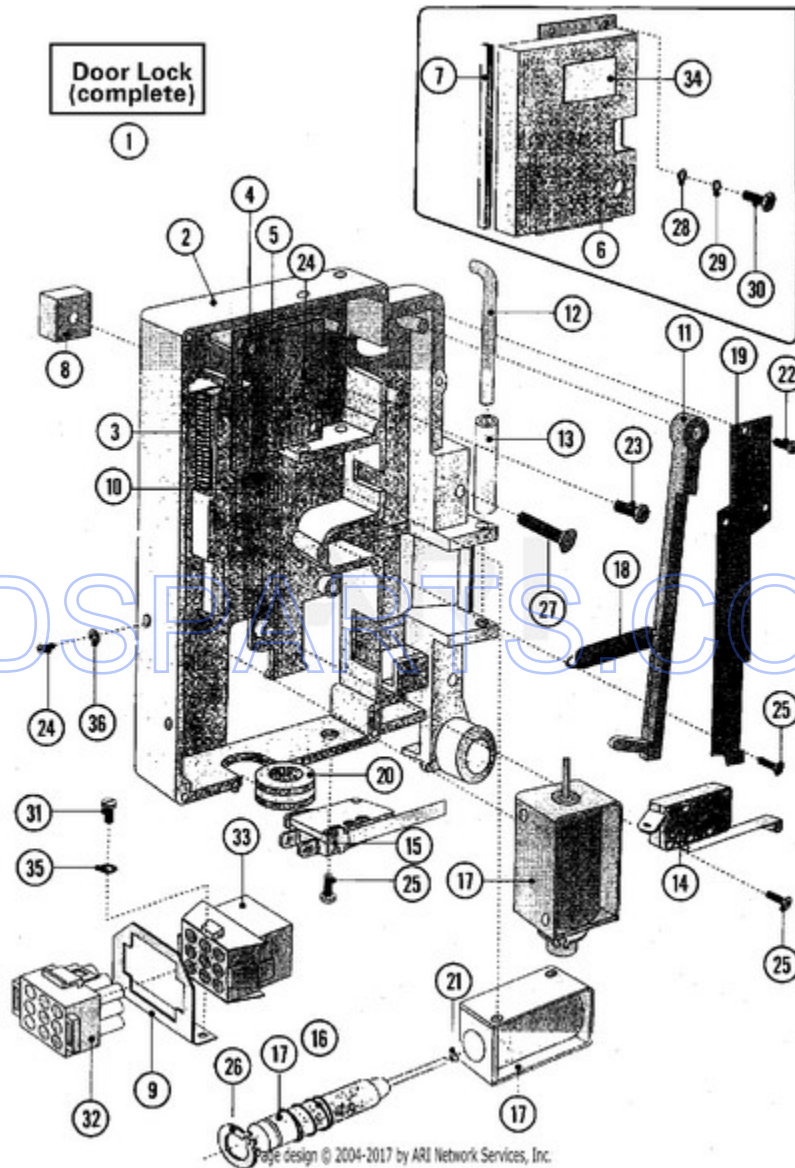
Ref #	Part #	Description	Qty	Context	Note	MSRP
1	23003083	PLATE, DRIVE (COMPLETE)	1	Series	10	
2	23003084	MOTOR, WASH (208-240V, 60HZ)	1	Series	10	
3	23003085	MOTOR, SPIN (208-240V, 60HZ)LU	1	Series	10	
4	23003086	V-PULLEY, WASH MOTOR	11	Series	10	
5	23003087	V-PULLEY, SPIN MOTOR	1	Series	10	
6	23001658	SCREW (M6X10)	2	Series	10	
7	23003093	V-BELT	3	Series	10	
8	NLA	WASHER	1	Series	10	
9	NLA	HOLDER, WASHING MOTOR	1	Series	10	
10	23003090	BRIDGE	1	Series	10	
11	NLA	LABEL, EARTH	1	Series	10	
12	23002661	SCREW (M12 X 35)	9	Series	10	
13	23002648	SCREW (M10 X 20)	4	Series	10	
14	NLA	SCREW (M8X80)	6	Series	10	
15	23002434	SCREW (M8X30)	8	Series	10	
16	23001733	SCREW (M6X10)	4	Series	10	
17	NLA	NUT (M12)	9	Series	10	
18	23002435	NUT (M8)	10	Series	10	
19	23002657	WASHER (13)	16	Series	10	
20	23002655	WASHER (10/5)	28	Series	10	
21	23002653	WASHER (8/6)	19	Series	10	
22	23002282	WASHER (6)	2	Series	10	
23	23002658	WASHER (12)	8	Series	10	
24	23002654	WASHER (10)	18	Series	10	
25	23002358	WASHER (M8)	18	Series	10	
26	23002357	WASHER	5	Series	10	
27	23003092	V-BELT (60HZ)	2	Series	10	
28	NLA	SHIELD, MOTOR	2	Series	10	

MFS50PNAVS - 08 - DOOR



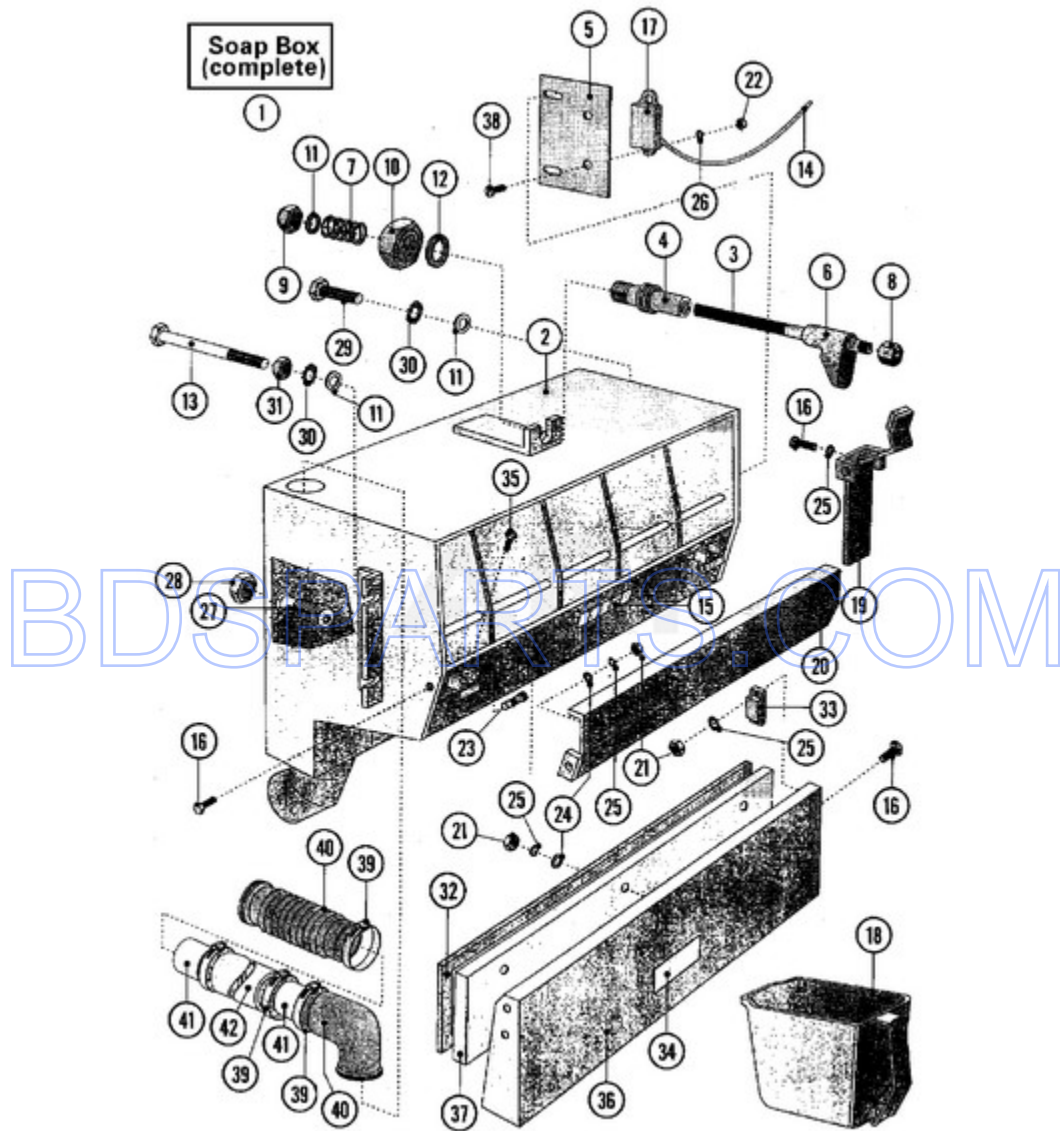
Ref #	Part #	Description	Qty	Context	Note	MSRP
1	23003094	DOORHOLDER	1	Series	10	
2	23003095	HINGE	2	Series	10	
3	23003096	PIECE, INSERTION	2	Series	10	
4	23003097	PLATE, HINGE	1	Series	10	
5	NLA	NUT, DOORHOLDER	4	Series	10	
6	23002261	RING, DOOR	1	Series	10	
7	23002266	BOLT (M10)	2	Series	10	
8	23001510	HANDLE, DOOR	1	Series	10	
8	23003633	LEVER, DOOR	1	Series	14	
9	23001168	SHAFT, LEVER	1	Series	14	
9	23003100	PIN	1	Series	10	
10	23003101	SPRING	1	Series	10	
11	23001612	SEAL, DOOR	1	Series	10	
12	23003103	GLASS	1	Series	10	
13	23001175	SCREW (M6X20 STAINLESS STEEL)	2	Series	10	
14	23001621	SCREW (M4X12) LU	2	Series	10	
15	23002279	BOLT (M6X20)	4	Series	10	
16	23001057	SPEEDNUT (M3)	2	Series	10	
17	23001176	NUT (M6 STAINLESS STEEL)	1	Series	14	
17	23002130	WASHER (6)	-			
17	23002280	NUT M6	2	Series	10	
18	23001621	SCREW (M4X12) LU	1	Series	14	
18	23002617	SCREW (M4X8)	1	Series	10	
19	12001889	KIT, DOOR HANDLE ASSEMBLY	1	Series	14	
19	23001614	DOORLOCK, HANDLEGRIP	1	Series	10	
20	23001468	STICKER, SPIN DIRECTION	1	Series	10	
21	NLA	WASHER, HINGE	1	Series	10	
22	23002723	SCREW (M8X22)	4	Series	10	
23	23001608	WASHER (M8) LU	4	Series	10	
24	23002727	WASHER (8) LU	4	Series	10	
25	23002130	WASHER (6)	6	Series	10	
26	23002297	LABEL, HEATWARNING	1	Series	10	
27	23002265	WASHER	4	Series	10	

MFS50PNAVS - 09 - DOOR LOCK ASSEMBLY



Ref #	Part #	Description	Qty	Context	Note	MSRP
1	23003105	DOORLOCK	1	Series	10	
2	Y23002898	GROUND, PLATE LOCK	1	Series	10	
3	23003106	SPRING, DOORLOCK	1	Series	10	
4	23003107	PLATE, DECOUPLING	1	Series	10	
5	23003108	PLATE, DECOUPLING	1	Series	10	
6	23003109	COVER, LOCKING DEVICE	1	Series	10	
7	23001088	RUBBER TRIM	1	Series	10	
8	23003110	WASHER	2	Series	10	
9	23003111	HOLDER, CONNECTOR	1	Series	10	
10	23001140	BAR, LOCKING	1	Series	10	
11	23002899	HANDLE, LOCKING PART	1	Series	10	
12	23001142	RETAINER, LOCK TUBE (DIA.4X45)	1	Series	10	
13	23001143	LOCK TUBE (DIA. 4X23.5 STNLS)	1	Series	10	
14	23003112	MICROSWITCH	1	Series	10	
15	23001145	MICROSWITCH, LONG LEVER	1	Series	10	
16	23002903	SPRING, LOCKING PART	1	Series	10	
17	23001146	COIL (240V)	2	Series	10	
18	23002900	SPRING, LOCKING PART	1	Series	10	
19	23001149	LEAF SPRING, LATCH BAR	1	Series	10	
20	23001138	BUSHING, CABLE PASSAGE	1	Series	10	
21	23001136	WASHER (DIA. 5.1 X 3.3 X 0.1)	2	Series	10	
22	23003113	SCREW (M3X6)	3	Series	10	
23	23003114	SCREW (M4X8) LU	2	Series	10	
24	23002869	SCREW (M3X6)	4	Series	10	
25	23003115	SCREW (M3X14)	5	Series	10	
26	23001137	RING, RETAINING (G10)	1	Series	10	
27	23003116	SCREW (M5X30)	2	Series	10	
28	23001643	WASHER (M6)	4	Series	10	
29	23002130	WASHER (6)	4	Series	10	
30	23002353	SCREW (M6X12)	4	Series	10	
31	23001704	SCREW (M5X10)	2	Series	10	
32	23003117	BOARD, TERMINAL (9-POLE)	1	Series	10	
33	23001722	BOARD, TERMINAL (AMP 9 POLES)	1	Series	10	
34	NLA	LABEL (WARNING)	1	Series	10	
35	23002465	WASHER, LOCK	2	Series	10	

MFS50PNAVS - 10 - SOAP BOX

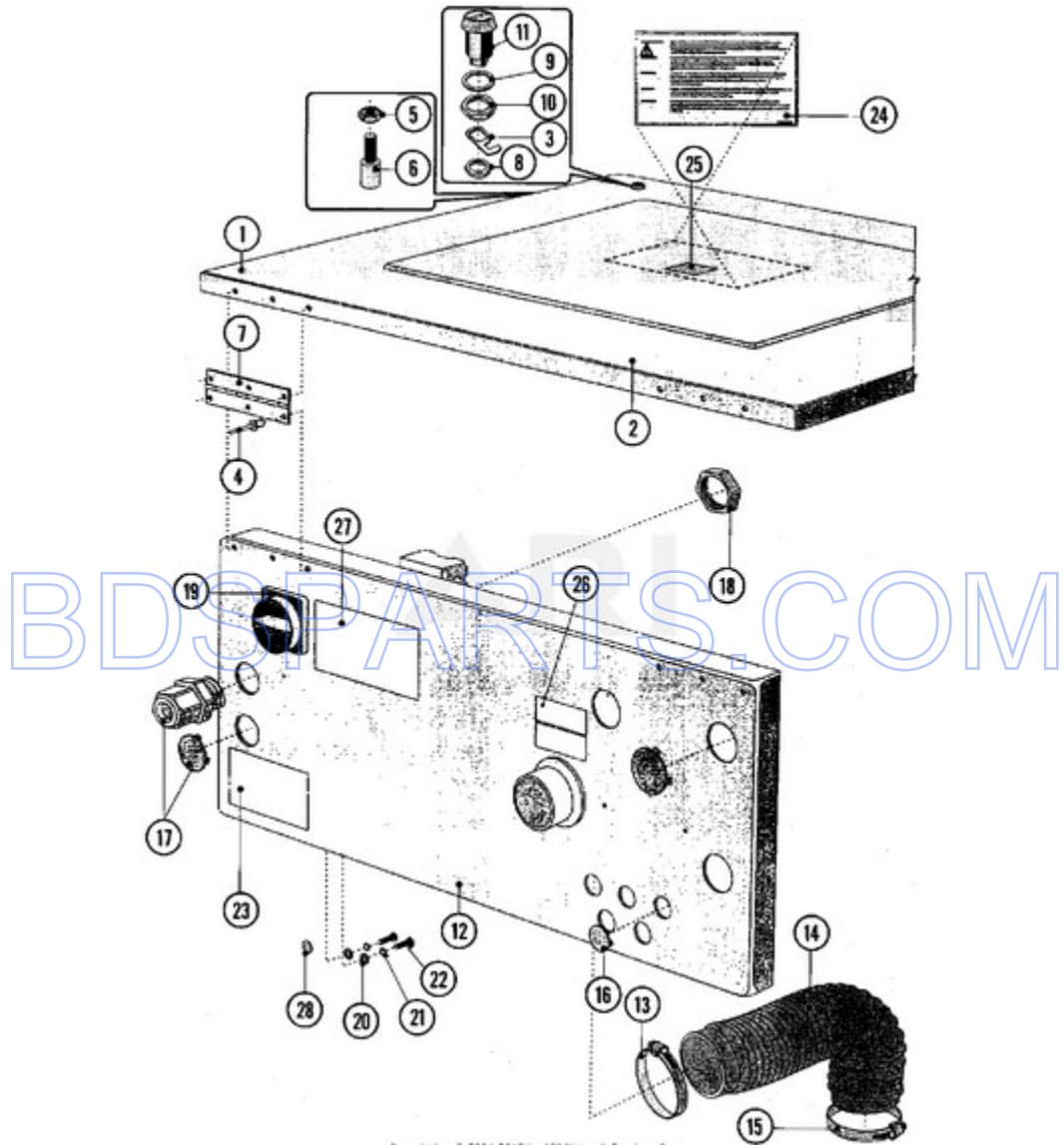


Ref #	Part #	Description	Qty	Context Note	MSRP
1	23003119	SOAP BOX (COMPLETE)	1	Series 10	
2	23003120	BOX, SOAP	1	Series 10	
3	23002748	SCREW	1	Series 10	
4	23002747	PIN	1	Series 10	
5	23003121	HOLDER	1	Series 10	
6	23002749	LEVER	1	Series 10	
7	23002010	SPRING	1	Series 10	
8	NLA	NUT (M6)	1	Series 10	
9	23002471	NUT	1	Series 10	
10	NLA	NUT (M12)	1	Series 10	
11	23002282	WASHER (6)	5	Series 10	
12	23002658	WASHER (12)	1	Series 10	
13	NLA	BOLT, COMPLETE	2	Series 10	
14	23002742	TUBE, INSULATION	1	Series 10	
15	NLA	LABEL, SOAP BOX	1	Series 10	
16	23001682	SCREW (M4X6)	14	Series 10	
17	23001566	SWITCH, MAGNETIC	1	Series 10	
18	NLA	VESSEL, PLASTIC	5	Series 10	
19	NLA	OVERSEAL	5	Series 10	
20	23002737	COVER	1	Series 10	
21	23002652	NUT (QTY OF 4 = 1 PIECE)	10	Series 10	
22	23002500	WASHER, LOCK	2	Series 10	
23	23002736	PIN, DOOR	2	Series 10	
24	23002129	WASHER (M4)	8	Series 10	
25	NLA	WASHER	20	Series 10	
26	NLA	WASHER	2	Series 10	
27	23002738	NOZZLE	5	Series 10	
28	NLA	NUT	5	Series 10	
29	23002423	SCREW (M4X10)	2	Series 10	
30	23002400	WASHER	4	Series 10	
31	23002651	NUT (M6)	2	Series 10	
32	NLA	SEALING	1	Series 10	
33	23001668	CONTACT, MAGNETIC	1	Series 10	
34	23002134	SHIELD (`DO NOT OPEN`)	1	Series 10	
35	NLA	SCREW (M4X6)	2	Series 10	
36	NLA	COVER	1	Series 10	
37	23002751	COVER, INSERT	1	Series 10	
38	23002717	SCREW (M3 X 6)	2	Series 10	
39	23001262	CLAMP, HOSE (20-32)	3	Series 10	

Ref #	Part #	Description	Qty	Context Note	MSRP
40	NLA	ELBOW	1	Series 10	
41	NLA	PART, CONNECTION	2	Series 10	
42	23001740	HOSE (19X27)	1	Series 10	

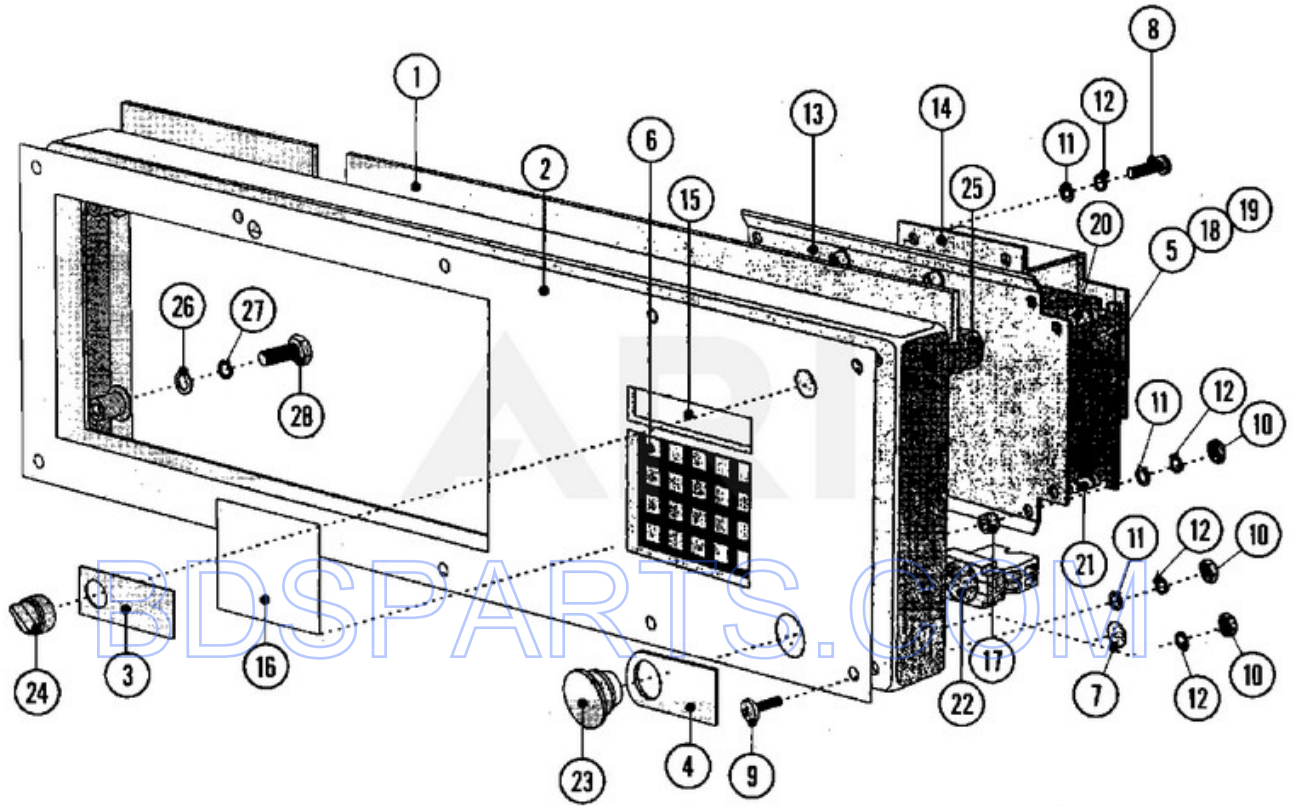
BDSPARTS.COM

MFS50PNAVS - 11 - TOP COVER



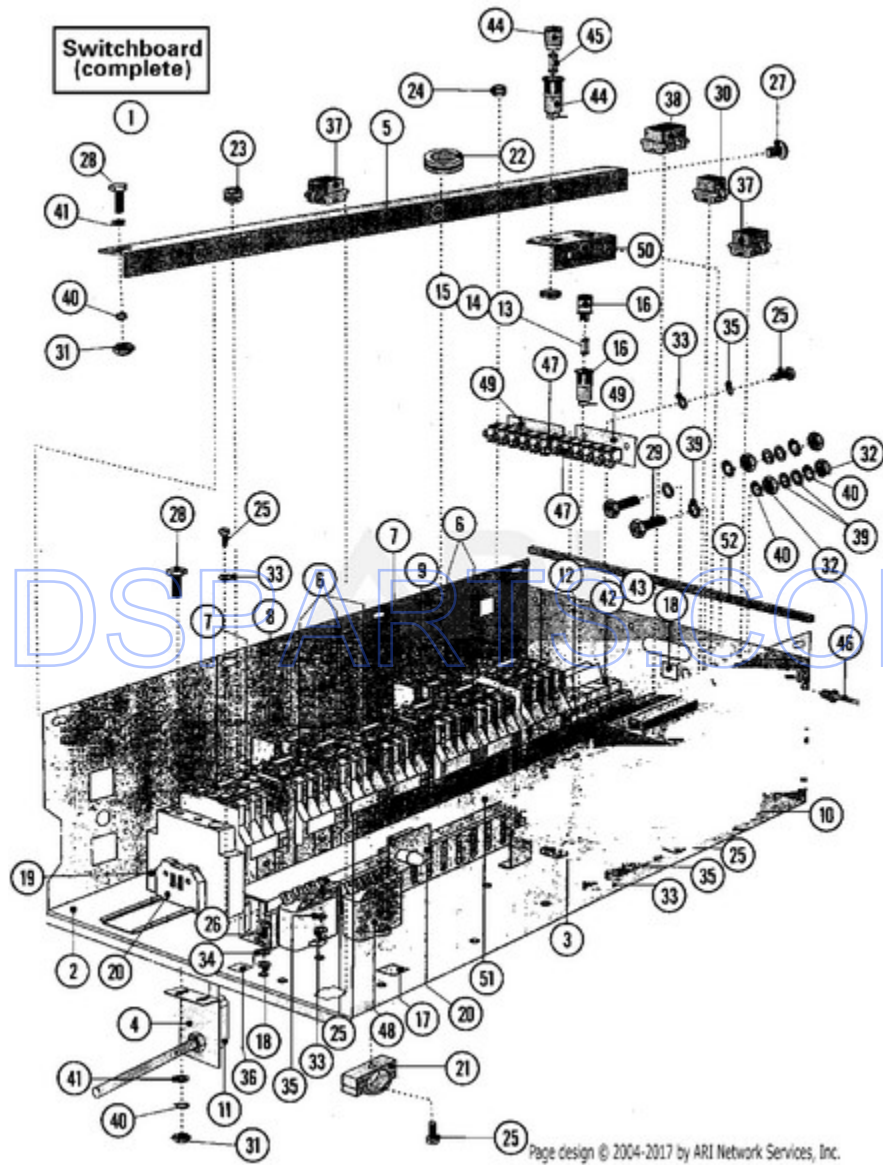
Ref #	Part #	Description	Qty	Context	Note	MSRP
1	NLA	COVER (COMPLETE)	1	Series	10	
2	NLA	COVER, WASHING MACHINE	1	Series	10	
3	23002451	PAWL	2	Series	10	
4	NLA	RIVET/CRANK (4 X 7.5)	12	Series	10	
5	23002399	NUT(M4)	2	Series	10	
6	NLA	PIN, GUIDING	2	Series	10	
7	NLA	HINGE, COVER	2	Series	10	
8	23001011	NUT	2	Series	10	
9	23001007	WASHER, FIBER	2	Series	10	
10	23001008	LOCK NUT (LARGE)	2	Series	10	
11	23001006	LOCK, TOP PANEL	2	Series	10	
12	23003136	VALVES, COVER (COMPLETE)	1	Series	10	
13	23001261	CLAMP, HOSE (32-50)	1	Series	10	
14	23003042	HOSE, RUBBER	1	Series	10	
15	23001256	CLAMP, HOSE (60-80)	1	Series	10	
16	NLA	PLUG (13)	5	Series	10	
17	NLA	INLET, STUFFING	1	Series	10	
18	23003138	NUT	1	Series	10	
19	23003139	CONTROLLER	1	Series	10	
20	23002726	WASHER (6)	1	Series	10	
21	23002357	WASHER	6	Series	10	
22	23001733	SCREW (M6X10)	2	Series	10	
23	23001465	STICKER, ELECTRICITY WARNING	1	Series	10	
24	23001550	LABEL, EARTH	1	Series	10	
25	NLA	LABEL, FLASH	1	Series	10	
26	NLA	LABEL, VENT OUT	1	Series	10	
27	NLA	LABEL, WARNING (IMPORT)	1	Series	10	
28	NLA	LABEL, EARTH	1	Series	10	

MFS50PNAVS - 12 - CONTROL PANEL



Ref #	Part #	Description	Qty	Context	Note	MSRP
1	23003141	COVER, PROGRAMMER (COMPLETE)	1	Series	10	
2	NLA	PLATE, INDEX (PROGRAMMER)	1	Series	10	
3	NLA	PLATE (HOPPERS-PUMPS)	1	Series	10	
4	NLA	LABEL, EMERGENCY STOP	1	Series	10	
5	23002949	PROGRAMMER	1	Series	10	
6	23001692	KEYBOARD (MEMBRANE SWITCH)	1	Series	10	
7	NLA	LABEL, EARTH	1	Series	10	
8	23002423	SCREW (M4X10)	4	Series	10	
9	23002721	SCREW (M4X12)	10	Series	10	
10	23002399	NUT(M4)	18	Series	10	
11	23001610	WASHER (4.3)	18	Series	10	
12	23002400	WASHER	18	Series	10	
13	23003144	BOARD (COMPLETE)	1	Series	10	
14	NLA	SCREENING	1	Series	10	
15	23002163	HOLE, INSPECTION	1	Series	10	
16	NLA	LABEL, PROGRAM	1	Series	10	
17	23001058	SPACER	8	Series	10	
18	23001693	MEMORY	1	Series	10	
19	23001694	MEMORY	1	Series	10	
20	23003146	HOLDER, BOARD (TYPE A)	4	Series	10	
21	23001542	HOLDER	4	Series	10	
21	NLA	HOLDER, CARD	1	Series	10	
22	23001075	EMERGENCY BLOC (W/LAMP)	11	Series	10	
23	23001078	EMERGENCY STOP	11	Series	10	
24	23002219	DEVICE, OPERATING	1	Series	10	
25	23003148	SWITCH	1	Series	10	
26	23002438	WASHER (M6)	4	Series	10	
27	23002357	WASHER	4	Series	10	
28	23002649	SCREW (M6 X 10)	4	Series	10	

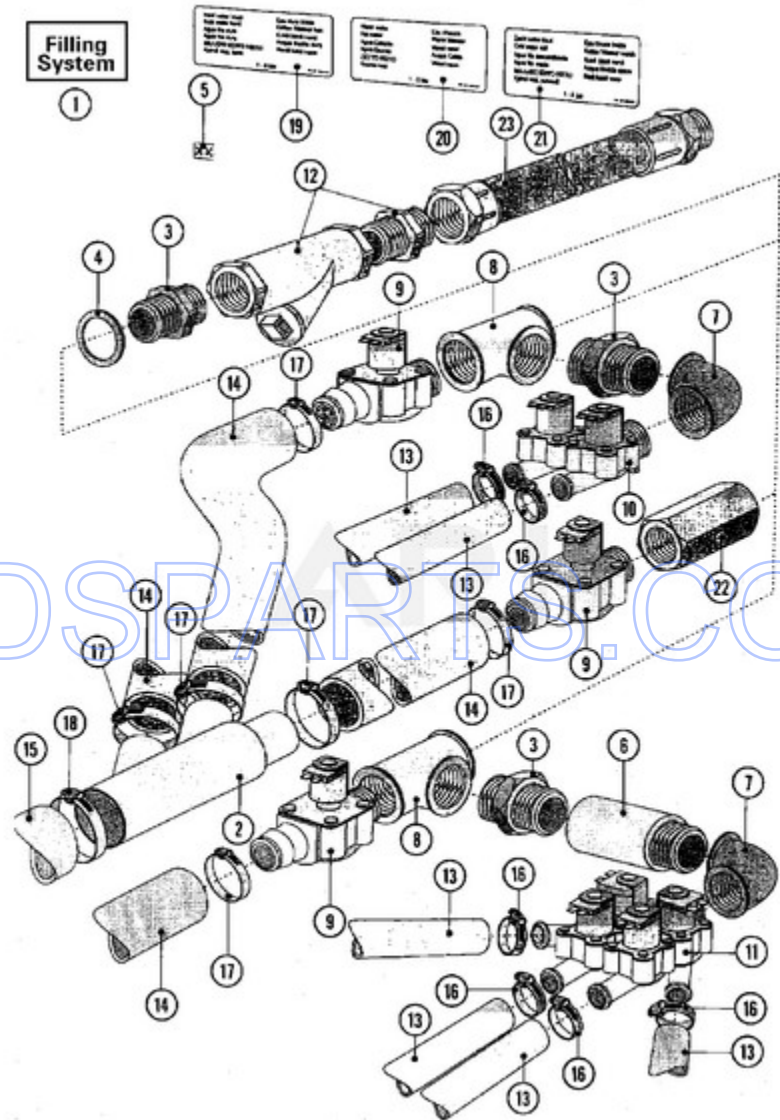
MFS50PNAVS - 13 - ELECTRICAL COMPONENTS



Ref #	Part #	Description	Qty	Context	Note	MSRP
1	23003150	SWITCHBOARD	1	Series	10	
2	23003151	BOARD, SWITCHBOARD(COMPLETE)LU	1	Series	10	
3	NLA	HOLDER, FUSE	1	Series	10	
4	NLA	HOLDER, VIBRATION SWITCH	1	Series	10	
5	NLA	HOLDER (COMPLETE)	1	Series	10	
6	23001101	CONTACTOR (LC1-D1201 M7)	7	Series	10	
7	23001119	MECHANICAL INTERLOCK, CONTACTO	2	Series	10	
8	23001106	RELAY, THERMAL OVERLOAD (4-6A)	1	Series	10	
9	23001105	RELAY, THERMAL OVERLOAD (9-13A)	1	Series	10	
10	23002142	TRANSFORMER	1	Series	10	
10	23003704	TRANSFORMER (250 VA)	1	Series	17	
11	23002775	SWITCH, VIBRATION	1	Series	10	
12	23001094	BRIDGE, RECTIFIER	1	Series	10	
12	23001717	BREAKER, CIRCUIT	1	Series	10	
12	NLA	PARTS, CONTACT	1	Series	10	
13	23002838	FUSE (1.6A)	1	Series	10	
14	23001463	FUSE (2A)	1	Series	10	
15	23002043	FUSE (4A)	2	Series	10	
16	23001462	HOLDER, FUSE	2	Series	10	
17	NLA	LABELS, DESCRIPTION	1	Series	10	
18	NLA	LABEL, EARTH	3	Series	10	
19	23003155	PARTS, CONTACTOR	3	Series	10	
20	23002110	TERMINAL WAGO	2	Series	10	
21	23002428	CLIP, CABLE	1	Series	10	
22	23001117	RING, RUBBER (DIA. 25)	2	Series	10	
23	NLA	PASSAGE, CABLE (13 X 2)	1	Series	10	
24	NLA	BUSHING, RUBBER	1	Series	10	
25	23001609	SCREW (M4X12)	12	Series	10	
26	23002650	SCREW (M6 X 12)	2	Series	10	
27	NLA	SCREW (M6X10)	2	Series	10	
28	23002649	SCREW (M6 X 10)	2	Series	10	
29	23002806	SCREW (M6X25)	2	Series	10	
30	23002154	BOARD, TERMINAL (6 POLES)	2	Series	10	
31	23002651	NUT (M6)	2	Series	10	
32	23001515	NUT (M6)	4	Series	10	
33	23001610	WASHER (4.3)	14	Series	10	
34	23002129	WASHER (M4)	2	Series	10	
35	23002400	WASHER	2	Series	10	

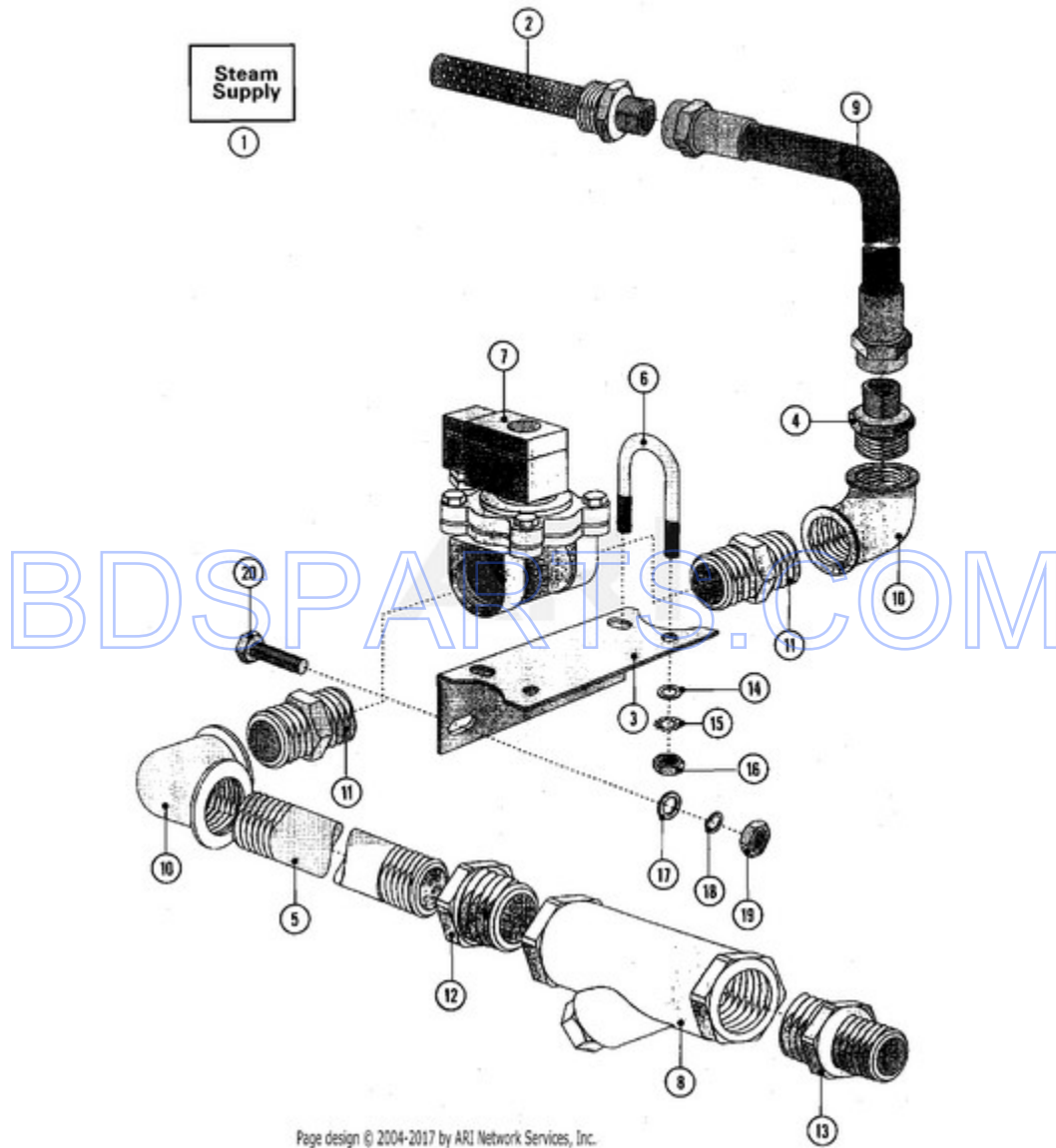
Ref #	Part #	Description	Qty	Context	Note	MSRP
36	23002656	WASHER (4.3)	2	Series	10	
37	23001722	BOARD, TERMINAL (AMP 9 POLES)	1	Series	10	
38	23002798	BOARD, TERMINAL (12 POLE)	1	Series	10	
39	23002726	WASHER (6)	4	Series	10	
40	23002357	WASHER	4	Series	10	
41	23002282	WASHER (6)	2	Series	10	
42	23003158	FUSE, DISCONNECTER	1	Series	10	
43	23002802	DISCONNECTOR, FUSE (PV10GG32A)	3	Series	10	
44	23002210	HOLDER, FUSE	2	Series	10	
45	23003159	FUSE (5A)	2	Series	10	
46	NLA	RIVET	17	Series	10	
47	23002154	BOARD, TERMINAL (6 POLES)	2	Series	10	
48	23001518	SERIES 15 - NO LONGER NEEDED				
48	NLA	NET FILTER	1	Series	10	
49	23001115	INSULATION PAPER	2	Series	10	
50	NLA	HOLDER, FUSES	1	Series	10	
51	23001551	GUTTER, CABLE (PLASTIC)	1	Series	10	
52	23001088	RUBBER TRIM	1	Series	10	

MFS50PNAVS - 14 - SOAP INJECTION & ACCESSORIES



Ref #	Part #	Description	Qty	Context Note	MSRP
1	23003162	SYSTEM, FILLING	1	Series 10	
2	23003163	TUBE, CONNECTION	1	Series 10	
3	23001482	NIPPLE (3/4" PIPE THREAD)	5	Series 10	
4	NLA	WASHER	3	Series 10	
5	NLA	PLATE, INDEX	1	Series 10	
6	23001484	EXTENSION, BRASS PIPE THREAD	1	Series 10	
7	23001756	ELBOW (3/4")	2	Series 10	
8	23001485	TEE, 3/4" PIPE THREAD (BRASS)	2	Series 10	
9	23002071	VALVE, INLET (1-WAY 3/4")	3	Series 10	
10	23002070	VALVE, INLET (2-WAY 3/4")	1	Series 10	
11	23001755	VALVE, FOUR WAY (3/4")	1	Series 10	
11	24001121	KIT, VALVE REPAIR (10MM)	1	Series 10	
12	23003166	FILTER (COMPLETE)	1	Series 10	
13	23001507	WATERHOSE (GREEN)	6	Series 10	
14	23001740	HOSE (19X27)	3	Series 10	
15	23002755	HOSE	1	Series 10	
16	23001506	CLAMP, HOSE	12	Series 10	
17	23001262	CLAMP, HOSE (20-32)	6	Series 10	
18	23001261	CLAMP, HOSE (32-50)	2	Series 10	
19	23001471	STICKER, COLD SOFT WATER	1	Series 10	
20	23001469	STICKER, HOT WATER	1	Series 10	
21	NLA	STICKER, COLD HARD WATER	1	Series 10	
22	NLA	ONTUBE	1	Series 10	
23	23001523	HOSE, CONNECTION	2	Series 10	

MFS50PNAVS - 15 - STEAM SUPPLY



Ref #	Part #	Description	Qty	Context	Note	MSRP
1	23003168	SUPPLY, STEAM	1	Series	10	
2	23003169	PIPE, STEAM	1	Series	10	
3	NLA	HOLDER	1	Series	10	
4	23002812	HOLDER	1	Series	10	
5	NLA	PIPE	1	Series	10	
6	23002433	HOLDER	2	Series	10	
7	23003172	VALVE, STEAM (3/4)	2	Series	10	
8	23002818	PIPE (PROTECTIVE FILTER 1`)	1	Series	10	
9	23003173	HOSE, STEAM	1	Series	10	
10	23001756	ELBOW (3/4`)	2	Series	10	
11	23001482	NIPPLE (3/4` PIPE THREAD)	2	Series	10	
12	NLA	BUSHING, REDUCING	1	Series	10	
13	23002761	REDUCER	1	Series	10	
14	23002282	WASHER (6)	4	Series	10	
15	23002357	WASHER	4	Series	10	
16	23002651	NUT (M6)	4	Series	10	
17	23002653	WASHER (8/6)	2	Series	10	
18	23002358	WASHER (M8)	2	Series	10	
19	NLA	NUT M8	2	Series	10	
20	23002475	BOLT (M8X20)	2	Series	10	