

# WASHER

## Repair Parts List

MODEL NUMBER

MFS80PNAVS

BDSPARTS.COM

When requesting service or ordering parts, always provide the following information:

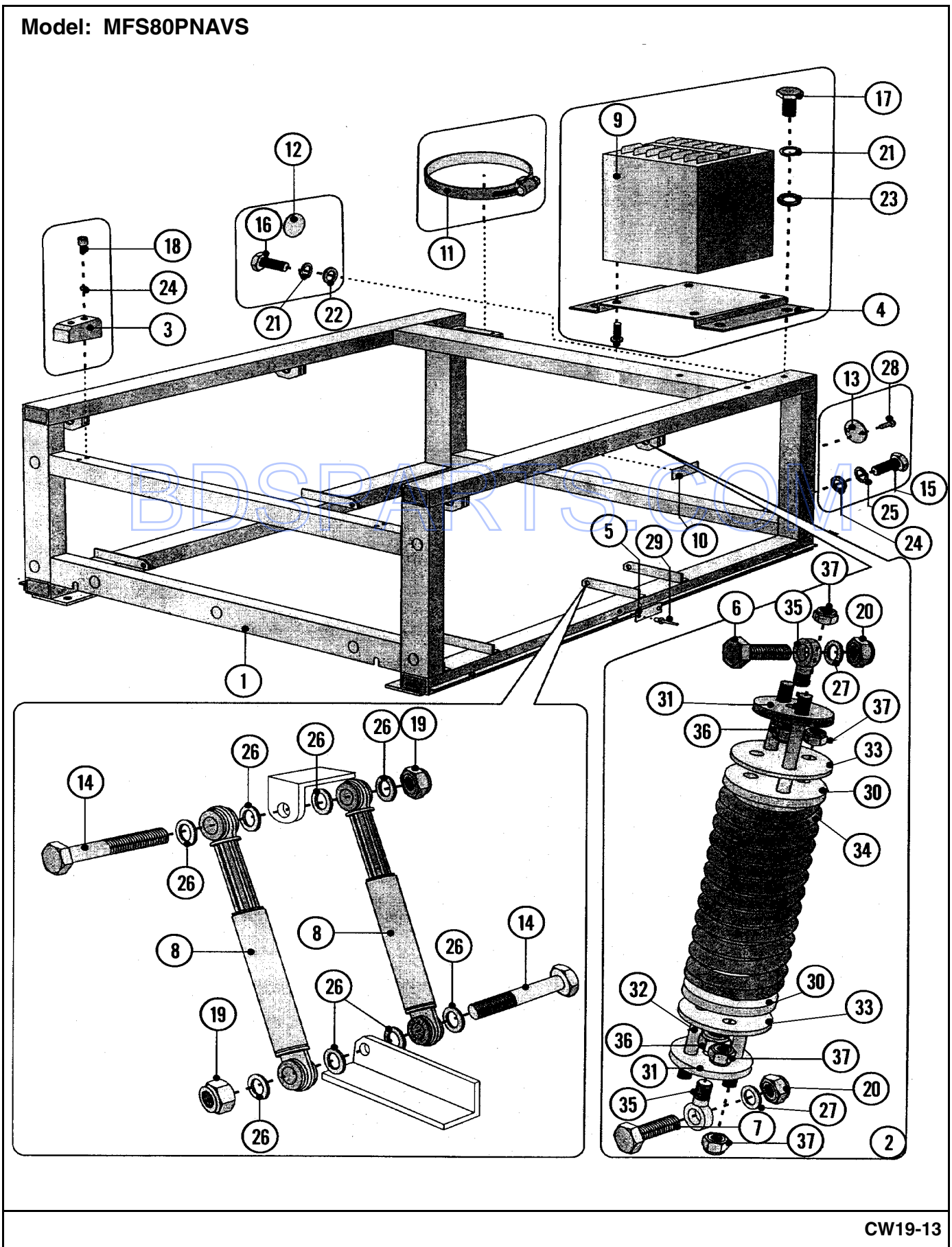
- Product Type
- Part Number
- Model Number
- Part Description

**MAYTAG**®

©2005 Maytag Services

Section: BASE

Model: MFS80PNAVS



CW19-13

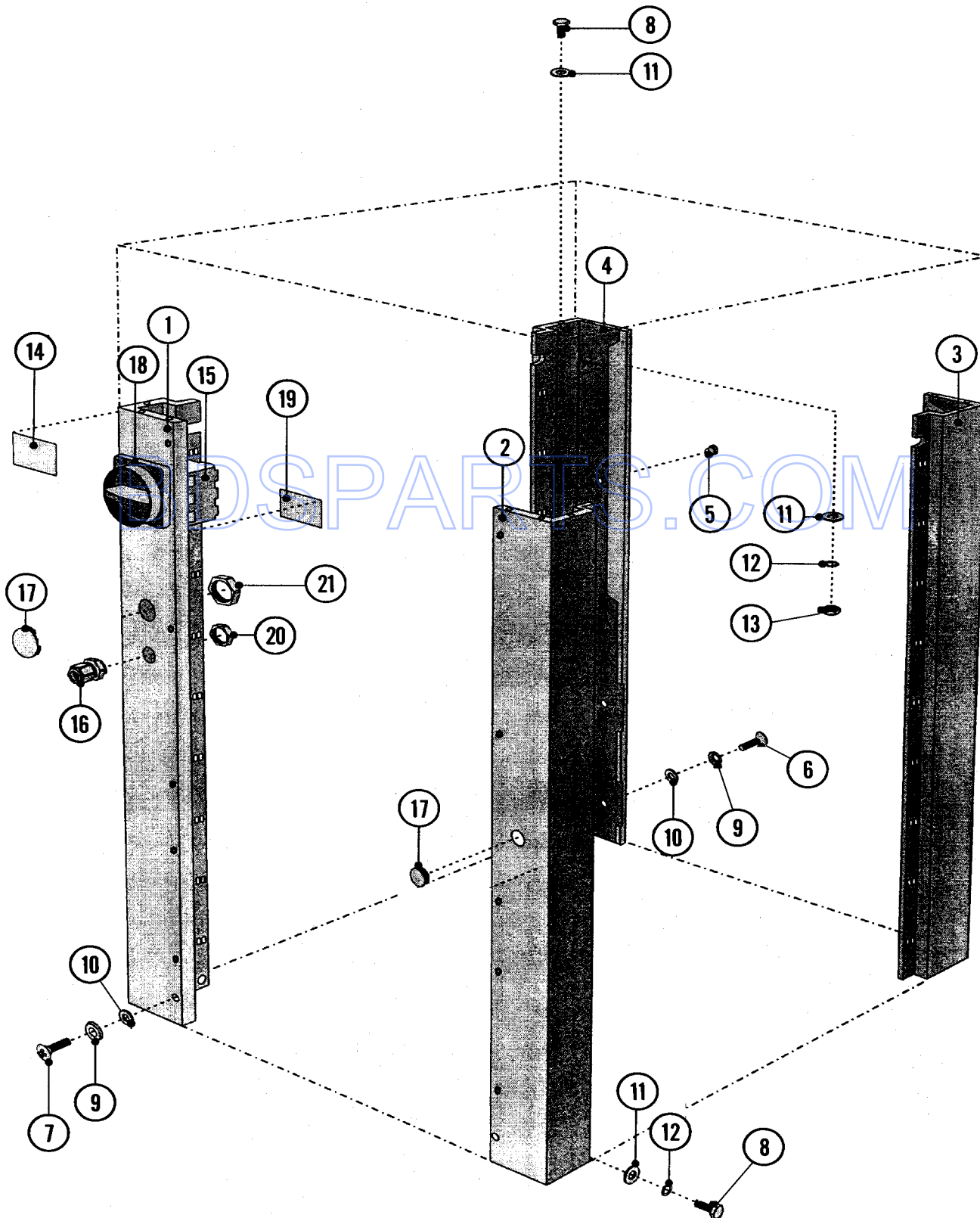
**Section: BASE**

No.	Part No.	Description	Series	Qty
1	23003176	FRAME	10	1
2	23002341	SPRING HINGE ASSY.	10	4
3	23002342	BLOCK	10	2
4	23002343	HOLDER, TRANSFORMER	10	1
5	N 23002344	PLATE, SMALL	10	2
6	N 23003177	SCREW	10	6
7	N 23002345	SCREW	10	2
8	23002347	DAMPER	10	12
9	23002142	TRANSFORMER	10	1
-	23003704	TRANSFORMER (250 VA)	17	1
10	23001567	SHEET, ANTI-VIBRATION	10	2
11	23001750	RING, CLAMP (40-60)	10	2
12	N 23001546	LABEL, EARTH	10	1
13	N 23002350	PLATE, INDEX	10	1
14	23002351	SCREW (M10X80)	10	12
15	N 23002352	SCREW (M8X15)	10	1
16	23002353	SCREW (M6X12)	10	1
17	23002354	SCREW (M6X16)	10	7
18	N 23002355	SCREW (M8X30)	10	4
19	23002356	NUT (M10)	10	12
20	23001651	NUT (M16)	10	8
21	23002357	WASHER	10	8
22	23002129	WASHER (M4)	10	1
23	23002282	WASHER (6)	10	7
24	23002358	WASHER (M8)	10	5
25	23002359	WASHER (M6)	10	1
26	23002655	WASHER (10/5)	10	72
27	23001735	WASHER (M17)	10	8
28	23001777	SCREW, DRIVE (2X4)	10	2
29	23002362	RIVET W/CRANK	10	4
30	23002363	SLEEVE	10	8
31	23002364	DISK	10	8
32	N 23002365	DRAWING ROD	10	16
33	23002366	PACKING PIECE	10	8
34	23002367	SPRING	10	4
35	23002368	SCREW, EYE	10	8
36	23001651	NUT (M16)	10	8
37	23002356	NUT (M10)	10	16

\*Color Code (-)=Not Shown #=Series, Serial Prefix or Run No., N=Not Available

Section: CABINET

Model: MFS80PNAVS



CW12-29

**Section: CABINET**

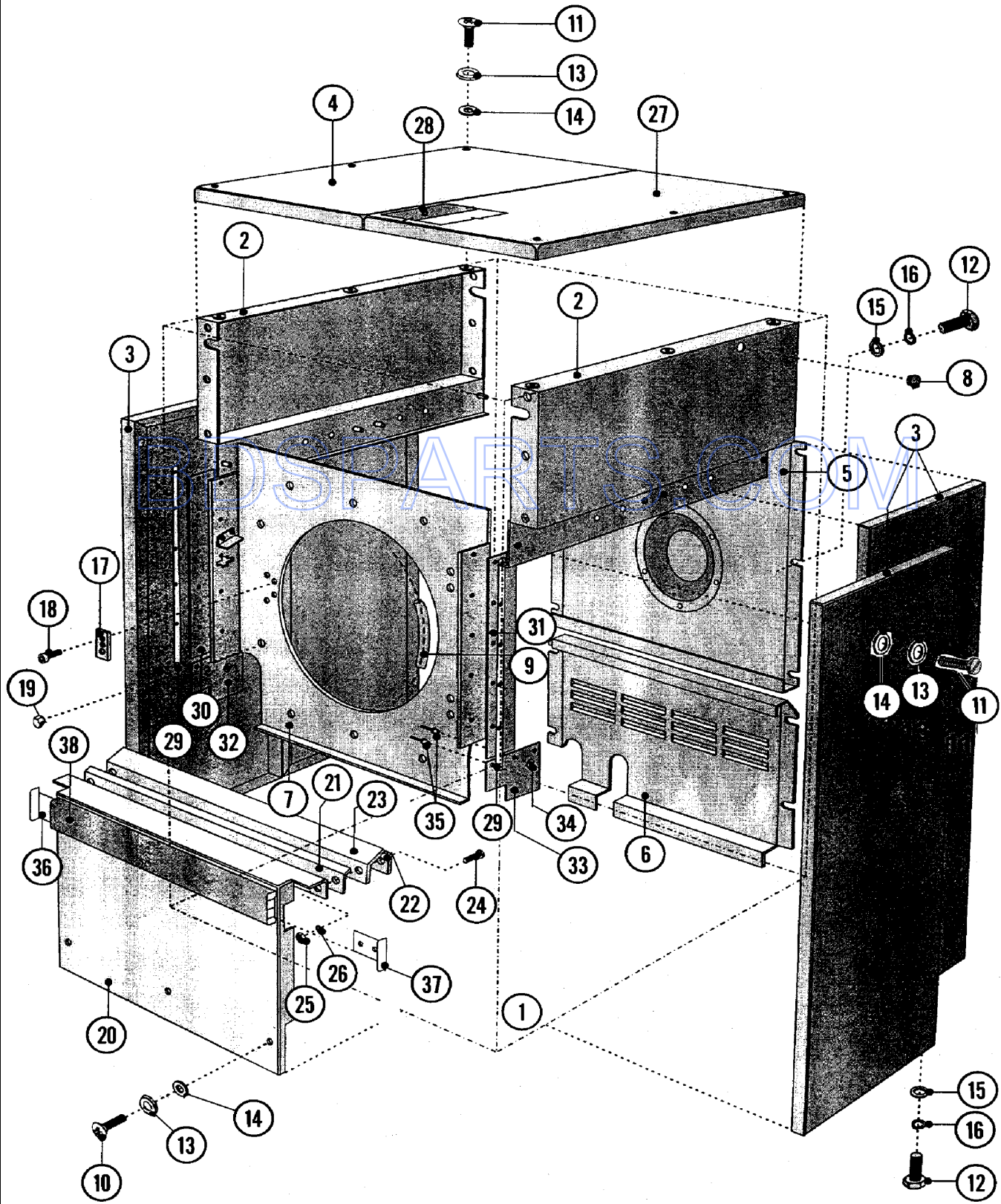
No.	Part No.	Description	Series	Qty
1	23002369	COVER, RIGHT-REAR	10	1
2	23002370	COVER, LEFT-REAR	10	1
3	23003178	COVER, FRONT (LT-COMPLETE)	10	1
4	23003179	COVER, FRONT (RT-COMPLETE)	10	1
5	23002373	END STOP	10	2
6	23002374	SCREW (M6X20)	10	7
7	23002375	SCREW (M6X40)	10	16
8 N	23002376	SCREW (M6X18)	10	30
9	23001337	WASHER, FINISHING	10	23
10	23001338	WASHER, FIBER (DIA. 15X7X3)	10	23
11	23002282	WASHER (6)	10	36
12	23002138	WASHER (10)	10	24
13	23002651	NUT (M6)	10	8
14 N	23002149	LABEL, WARNING (IMPORT)	10	1
15	23003180	SWITCH, MAIN (32A-STEAM)	10	1
16	23002196	SWIVEL, CABLE	10	1
17 N	23002150	BLIND, UNIVERSAL	10	1
18	23002141	KNOB	10	1
19 N	23002148	LABEL, WARNING EL. TENSION	10	1
20	23002197	NUT	10	1
21 N	23002379	NUT	10	1

BDSPARTS.COM

\*Color Code (-)=Not Shown #=Series, Serial Prefix or Run No., N=Not Available

Section: PANELS

Model: MFS80PNAVS



CW21-119

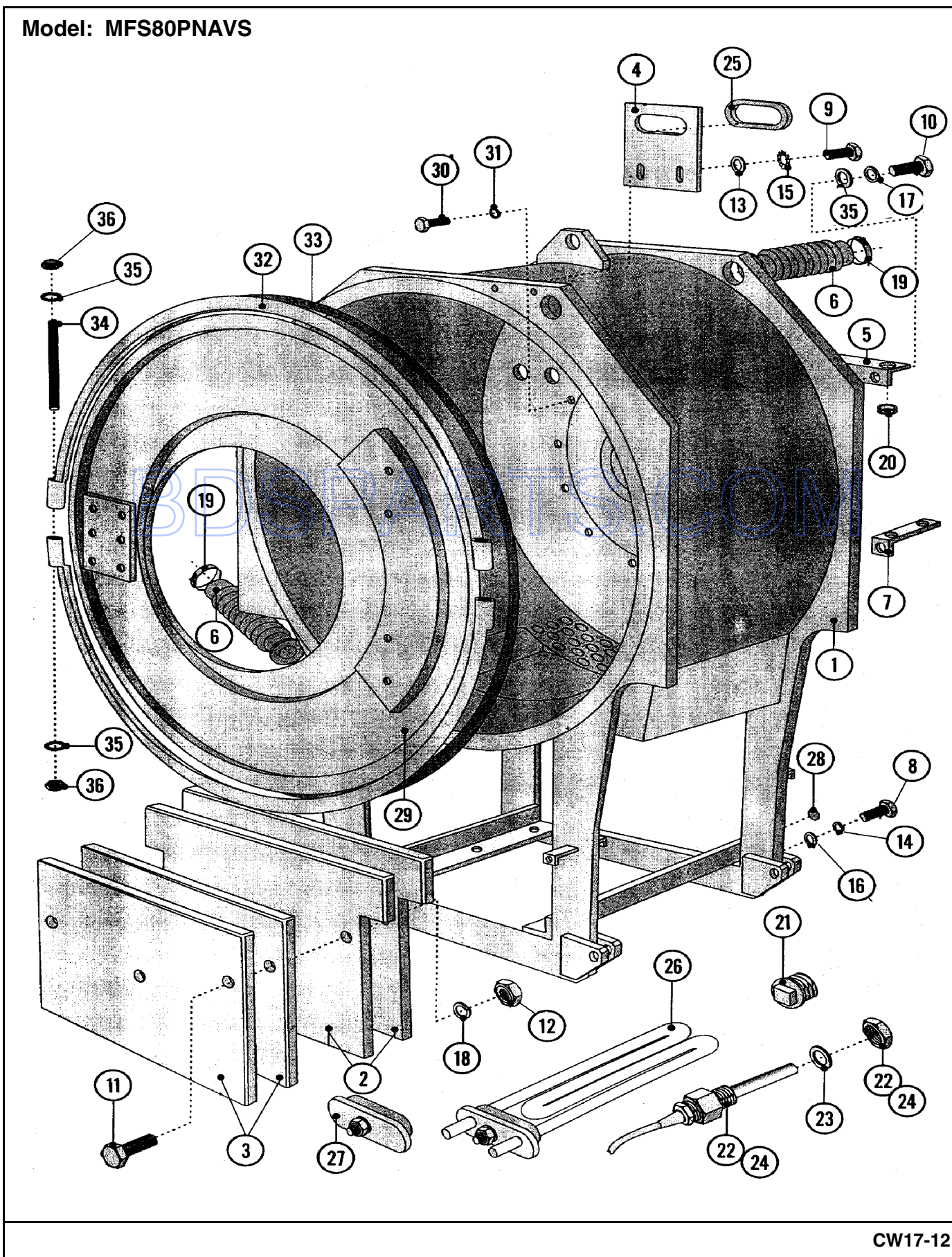
## Section: PANELS

No.	Part No.	Description	Series	Qty
1	23002380	COVER, FRONT	10	1
2	23003181	SIDE, COVER (UPPER-COMPLETE)	10	2
3	23003182	COVER, SIDE (COMPLETE)	10	4
4	23003183	COVER (UPPER-COMPLETE)	10	1
5	23003184	COVER, REAR (UPPER)	10	1
6	23003185	COVER (LOWER-REAR)	10	1
7	23003186	FOIL	10	1
8	23001476	PLUG, WATER INLET	10	1
9	23001088	RUBBER TRIM	10	1
10	23002374	SCREW (M6X20)	10	7
11	23002375	SCREW (M6X40)	10	16
12	23001618	SCREW (M6X18)	10	30
13	23001337	WASHER, FINISHING	10	23
14	23001338	WASHER, FIBER (DIA. 15X7X3)	10	23
15	23002129	WASHER (M4)	10	30
16	23002130	WASHER (6)	10	30
17	23002390	BLOCK	10	1
18	N 23002391	SCREW (M8X15)	10	2
19	N 23002392	NUT (M6)	10	8
20	23002393	COVER, FRONT-LOWER	10	1
21	23002394	SUPPORT, SIDE PANEL	10	1
22	23002395	RIBBON	10	1
23	23002396	STRIP	10	1
24	23002398	SCREW (M4X16)	10	7
25	23002399	NUT(M4)	10	7
26	23002400	WASHER	10	7
27	23003187	COVER (UPPER)	10	1
28	23002362	RIVET W/CRANK	10	11
29	N 23002402	BAR	10	2
30	N 23002403	CUFF (LT)	10	1
31	N 23002404	CUFF (RT)	10	1
32	N 23002405	CORNER CUFF (LT)	10	1
33	N 23002406	CORNER CUFF (RT)	10	1
34	N 23002407	WASHER	10	14
35	23002408	RIVET W/CRANK	10	26
36	23002409	BAR, INSIDE	10	1
37	23002410	BAR, SIDE	10	2
38	23002411	PROFILE	10	1

\*Color Code (-)=Not Shown #=Series, Serial Prefix or Run No., N=Not Available

Section: TUB

Model: MFS80PNAVS



CW17-12



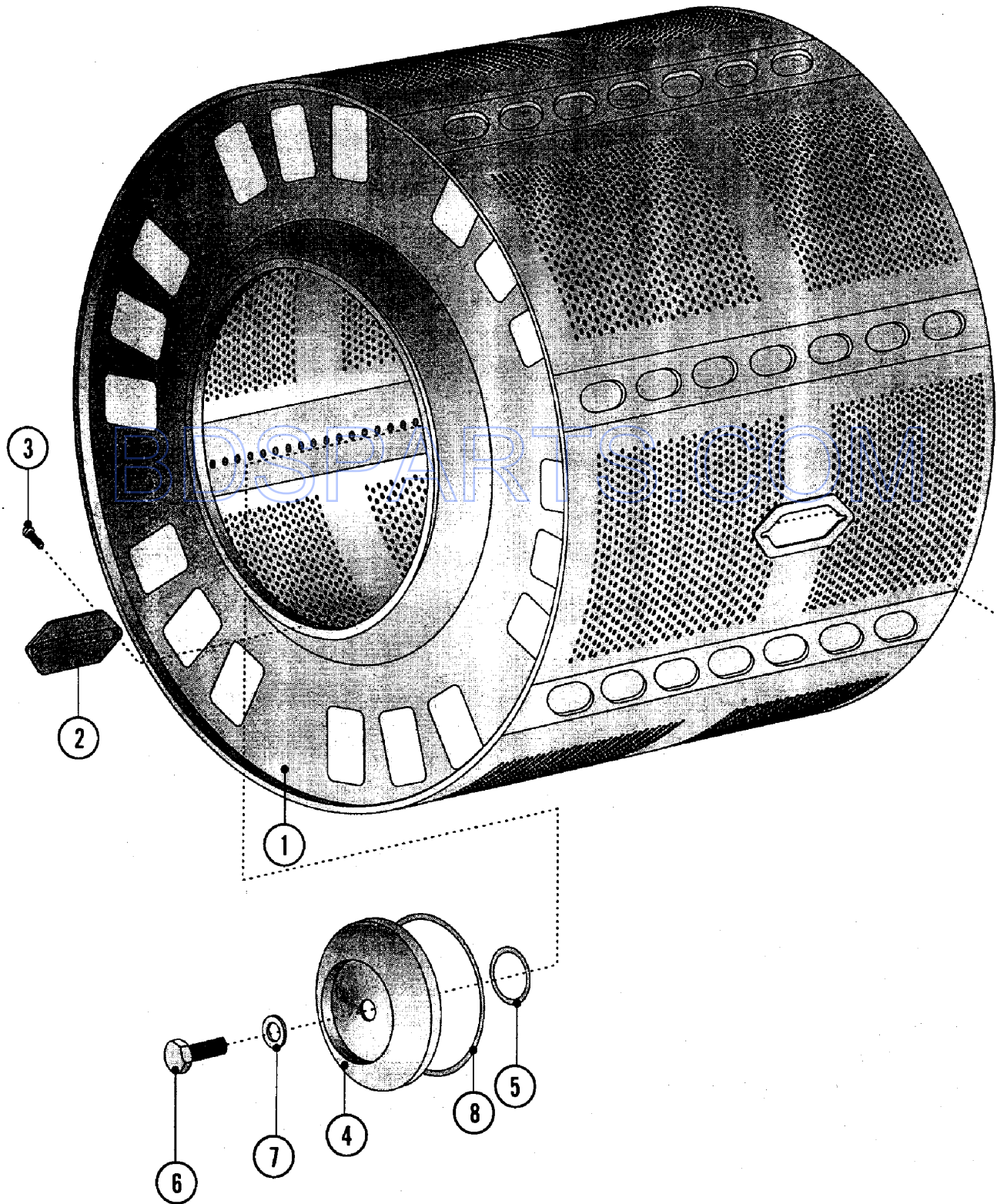
**Section: TUB**

No.	Part No.	Description	Series	Qty
1	23003188	TUB 80LB	10	1
2	23002414	WEIGHT (LARGE)	10	2
3	23002415	WEIGHT (SMALL)	10	2
4	23002416	LIMITER	10	1
5	23002417	HOLDER	10	1
6	23002474	HOSE, RUBBER	10	2
7	23002418	HOLDER, WIRE	10	1
8	23002353	SCREW (M6X12)	10	12
9	23002354	SCREW (M6X16)	10	2
10	23002475	BOLT (M8X20)	10	2
11	23002476	SCREW (M20X150)	10	3
12	23002477	NUT (M20)	10	3
13	23002282	WASHER (6)	10	2
14	23002129	WASHER (M4)	10	12
15	23002357	WASHER	10	2
16	23002130	WASHER (6)	10	12
17	23002358	WASHER (M8)	10	2
18	23002478	WASHER	10	3
19	23001256	CLAMP, HOSE (60-80)	10	4
20	23002479	PASSAGE, CABLE	10	3
21	23002480	PLUG (3/4)	10	1
22	23002481	ADAPTER	10	1
23	23002179	WASHER	10	1
24	23001592	ADAPTOR	10	1
25	23001088	RUBBER TRIM	10	1
26	23002191	ELEMENT, HEATING 80LB	10	6
27	23001594	BLIND, HEATING ELEMENT	10	6
28 N	23001546	LABEL, EARTH	10	2
29	23002483	PANEL, FACIA	10	1
30	23002353	SCREW (M6X12)	10	12
31	23002281	WASHER (6-COPPER)	10	12
32 N	23002484	CLIP	10	2
33	23002485	SEALING	10	1
34	23002486	BOLT (M8)	10	2
35	23002359	WASHER (M6)	10	4
36	23002487	NUT (M8)	10	4

\*Color Code (-)=Not Shown #=Series, Serial Prefix or Run No., N=Not Available

Section: INNER TUB

Model: MFS80PNAVS



CW17-13

## Section: INNER TUB

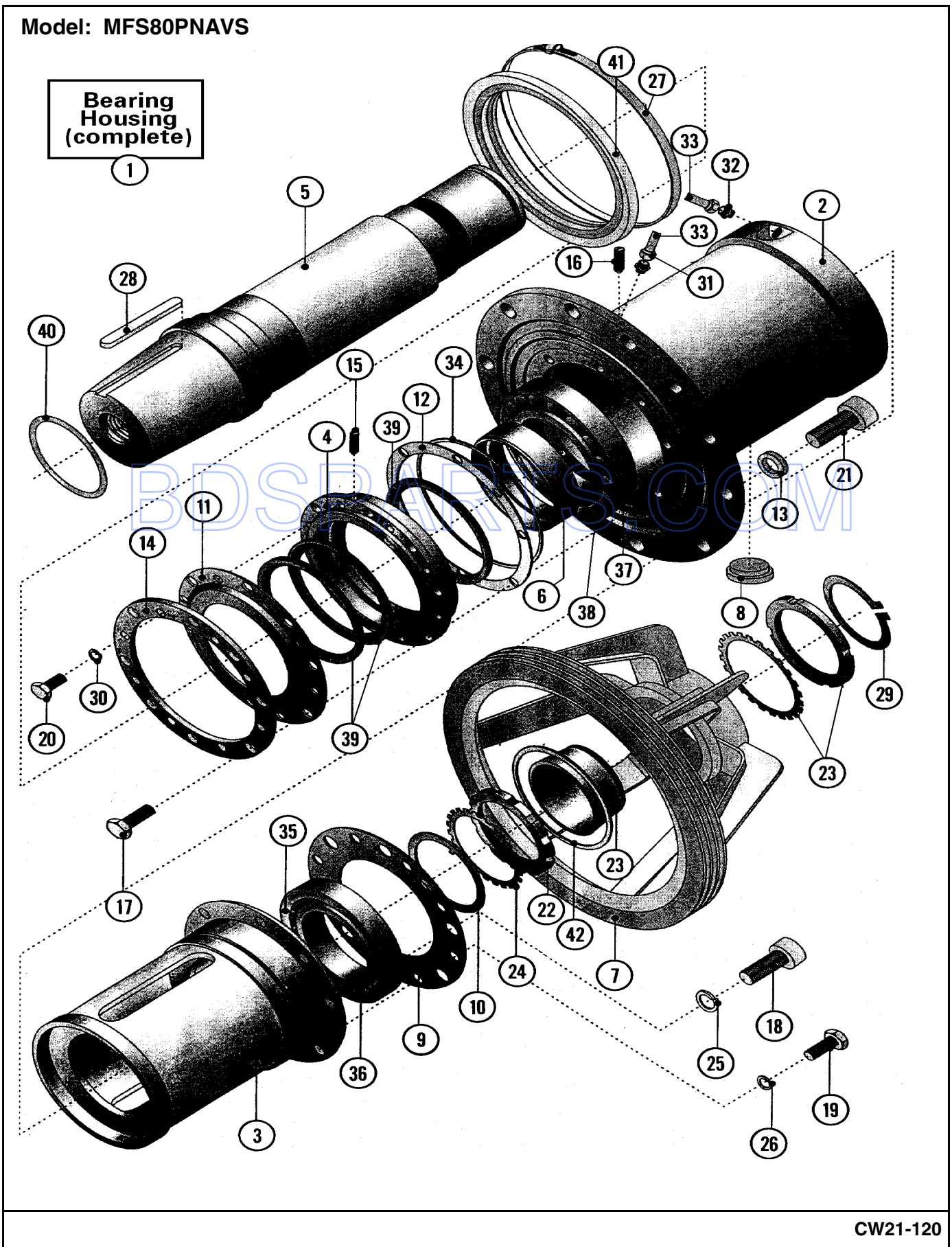
No.	Part No.	Description	Series	Qty
1	23003189	WASHING DRUM 80LB	10	1
2	23002259	COVER	10	1
3	23002617	SCREW (M4X8)	10	2
4	23002618	WASHER	10	1
5	23002619	O-RING	10	1
6	23002620	Bolt, 30mmx80mm, SS	10	1
7	23002621	WASHER	10	1
8	23002622	O-RING	10	1

BDSPARTS.COM

\*Color Code (-)=Not Shown #=Series, Serial Prefix or Run No., N=Not Available

Section: BEARINGS & TRUNNION ASSEMBLY

Model: MFS80PNAVS



CW21-120

## Section: BEARINGS & TRUNNION ASSEMBLY

No.	Part No.	Description	Series	Qty
1	23003190	BEARING HOUSING (COMPLETE)	10	1
2	23003191	HOUSE, BEARING	10	1
3	23003192	INSERT, BEARING HOUSE	10	1
4	23003193	COVER, FRONT	10	1
5	23003194	SHAFT	10	1
6	23003195	RING	10	1
7	23003196	PULLEY	10	1
8	N 23003197	PLUG	10	1
9	23003198	COVER, SMALL	10	1
10	23003199	RING, DISTANCE	10	1
11	23003200	COVER, FRONT	10	1
12	23003201	SEALING	10	1
13	23003202	WASHER	10	12
14	23003203	COLLAR	10	1
15	N 23003204	SCREW (M6X6)	10	2
16	N 23003205	SCREW (M10X10)	10	1
17	23001605	SCREW (M8X30)	10	8
18	N 23003206	SCREW (M10X30)	10	8
19	23002353	SCREW (M6X12)	10	8
20	23001618	SCREW (M6X18)	10	8
21	23003207	SCREW (M20X65)	10	12
22	23001867	RING, FASTENING	10	1
23	23001653	BUSHING	10	1
24	23001868	RING, SAFETY	10	1
25	N 23003208	WASHER	10	8
26	23002357	WASHER	10	8
27	23003209	CLIP	10	1
28	N 23003210	WEDGE	10	1
29	23003082	RING, RETAINING	10	1
30	23002130	WASHER (6)	10	8
31	23003211	NUT, TRANSFERING	10	3
32	23003212	NECK, CONNECTING	10	3
33	23003213	HOSE	10	2
34	23003214	RING, O	10	1
35	23001873	RING, PULLEY SIDE OUTSIDE BEAR	10	1
36	23001874	RING, PULLEY SIDE INNER BEARIN	10	1
37	23001875	RING, DRUM SIDE OUTSIDE BEARIN	10	1
38	23001876	RING, DRUM SIDE INNER BEARING	10	1
39	23001877	SEAL	10	3
40	23002485	SEALING	10	1
41	23003215	BEARING, HOUSE SEALING	10	1
42	23003069	SEALING	10	1

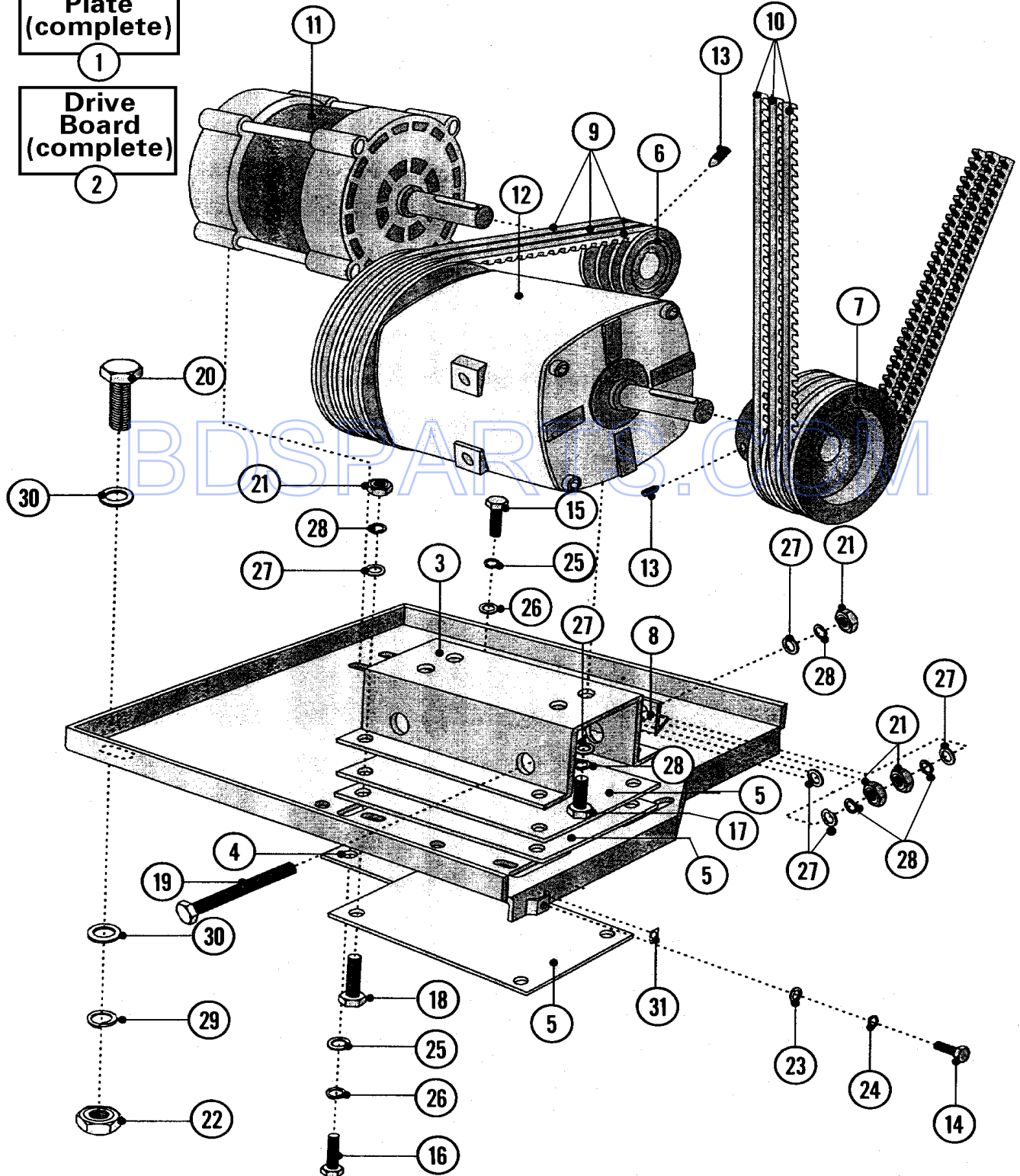
\*Color Code (-)=Not Shown #=Series, Serial Prefix or Run No., N=Not Available

Section: MOTOR & BASKET PULLEY

Model: MFS80PNAVS

Drive Plate (complete)  
1

Drive Board (complete)  
2



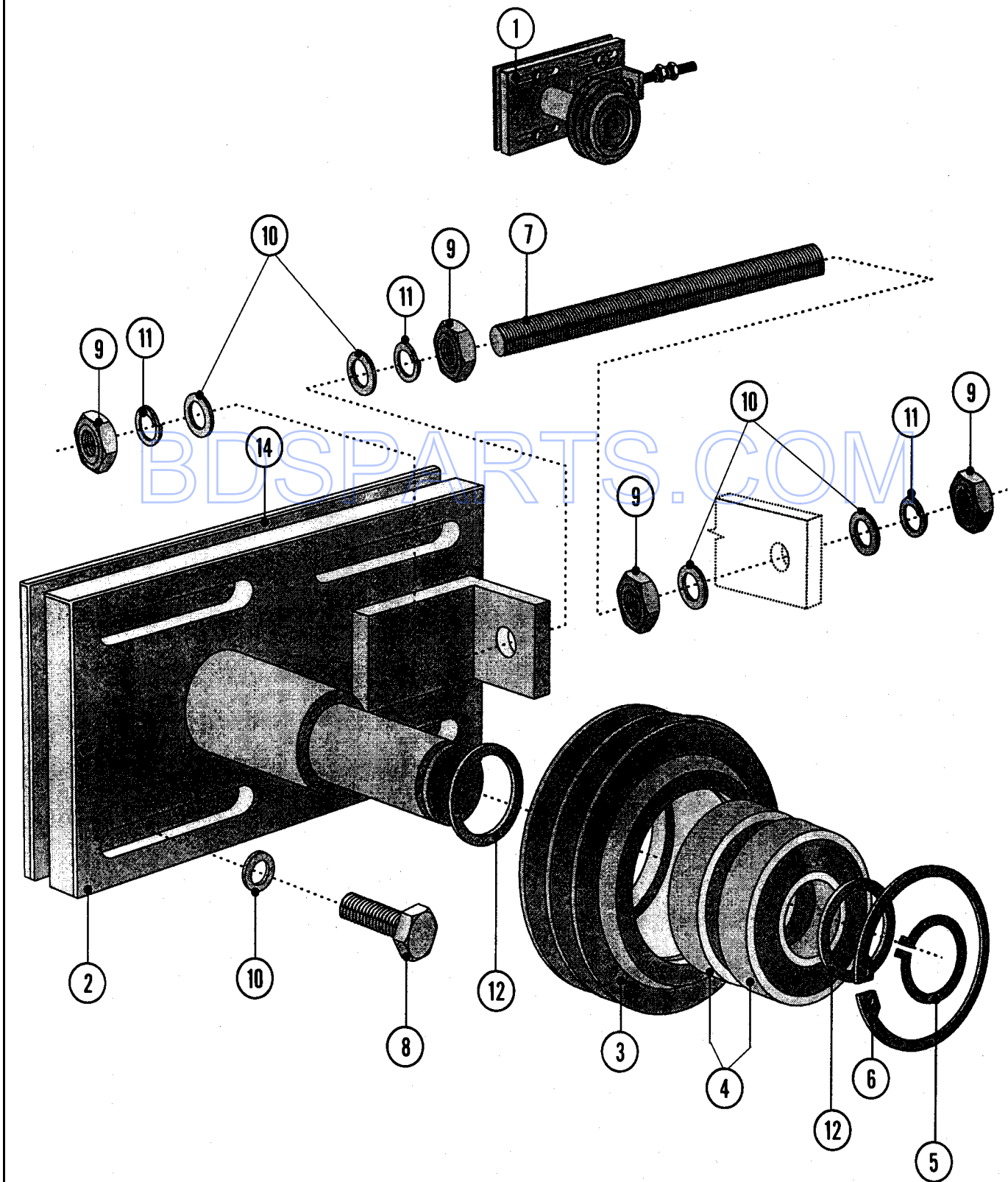
## Section: MOTOR & BASKET PULLEY

No.	Part No.	Description	Series	Qty
1	23003216	PLATE, DRIVE (COMPLETE)	10	1
2	23003217	BOARD, DRIVE (COMPLETE)	10	1
3	23003218	HOLDER, MOTOR	10	1
4	N 23003219	WASHER, MOTOR	10	1
5	N 23003220	WASHER, MOTOR (SPIN)	10	3
6	23003221	PULLEY, WASH MOTOR	10	1
7	23003222	PULLEY, SPIN MOTOR	10	1
8	N 23003223	BRACKET	10	1
9	23001907	V-BELT (SPZ962)	10	3
10	23001657	V-BELT (2287MM)	10	3
11	23003084	MOTOR, WASH (208-240V, 60HZ)	10	1
12	23003085	MOTOR, SPIN (208-240V, 60HZ)LU	10	1
13	23001658	SCREW (M6X10)	10	4
14	23002353	SCREW (M6X12)	10	1
15	23002475	BOLT (M8X20)	10	2
16	23002434	SCREW (M8 X 30)	10	8
17	23002648	SCREW (M10 X 20)	10	4
18	23002987	SCREW (M10X30)	10	4
19	23001660	SCREW (M10X120)	10	2
20	23002661	SCREW (M12 X 35)	10	6
21	23001661	NUT (M10)	10	10
22	N 23002659	NUT (M12)	10	6
23	23002129	WASHER (M4)	10	1
24	23002357	WASHER	10	1
25	23002653	WASHER (8/6)	10	10
26	23002358	WASHER (M8)	10	10
27	23002655	WASHER (10/5)	10	20
28	23002654	WASHER (10)	10	12
29	23002658	WASHER (12)	10	6
30	23001292	WASHER (13)	10	12
31	N 23001546	LABEL, EARTH	10	1

\*Color Code (-)=Not Shown #=Series, Serial Prefix or Run No., N=Not Available

Section: TENSIONING SYSTEM

Model: MFS80PNAVS



CW21-122



**Section: TENSIONING SYSTEM**

No.	Part No.	Description	Series	Qty
1	23003225	ROLLER, TENSION (COMPLETE)	10	1
2	23002663	TENSION ROLLER	10	1
3	23003226	ROLLER	10	1
4	23002665	BEARING 6305-2RS1/C3	10	2
5	23002666	RING, RETAINING (25)	10	1
6	23002667	RING, RETAINING (62)	10	1
7	N 23002668	BOLT (M12)	10	1
8	N 23002669	SCREW (M12 X 30)	10	4
9	N 23002659	NUT (M12)	10	4
10	23002657	WASHER (13)	10	8
11	23002658	WASHER (12)	10	4
12	N 23003227	WASHER	10	4

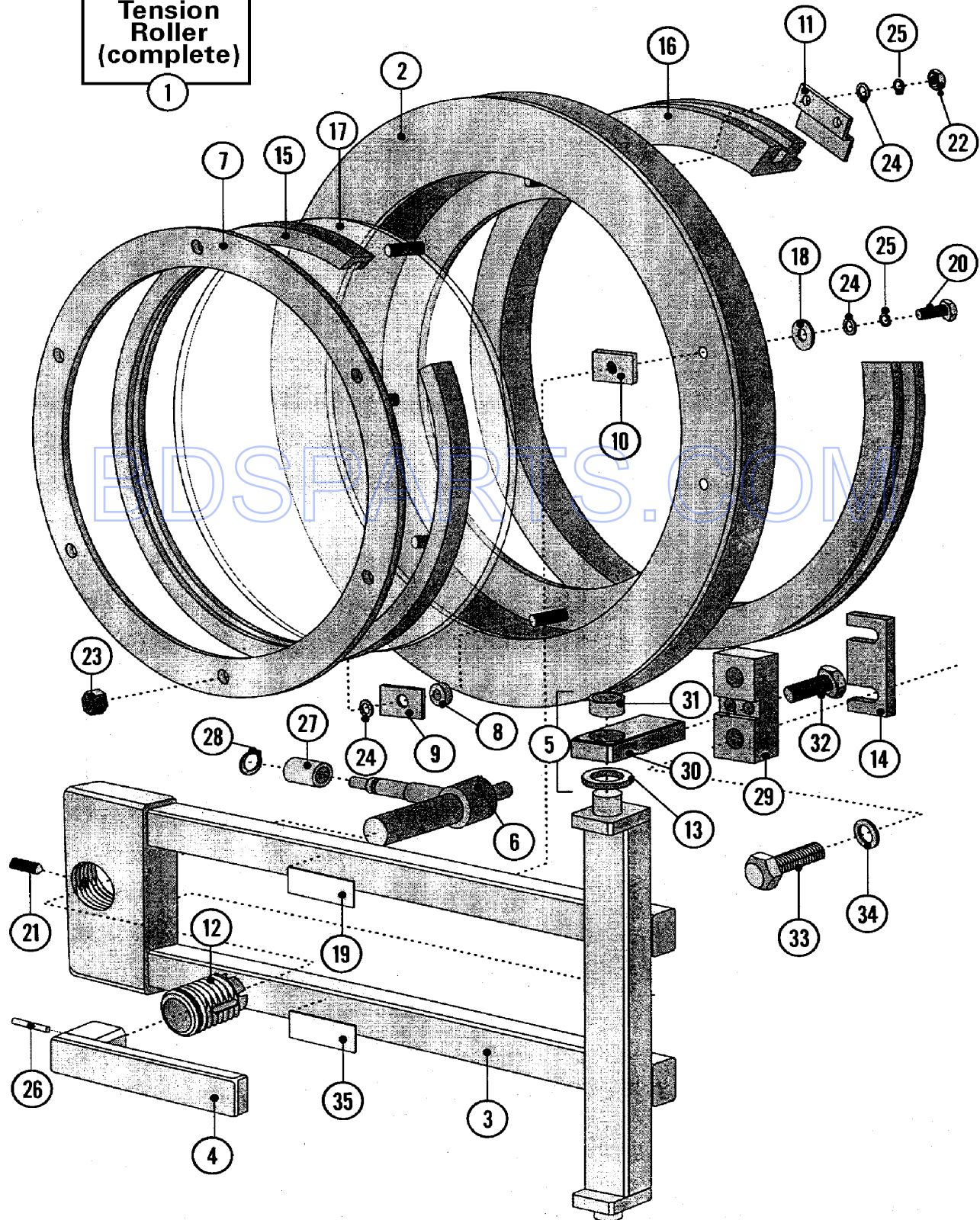
BDSPARTS.COM

\*Color Code (-)=Not Shown #=Series, Serial Prefix or Run No., N=Not Available

Section: DOOR

Model: MFS80PNAVS

Tension  
Roller  
(complete)



CW10-43

## Section: DOOR

No.	Part No.	Description	Series	Qty
1	23003228	DOOR (COMPLETE)	10	1
2	23002675	DOOR	10	1
3	23002676	HINGE, DOOR	10	1
4	23002677	HANDLE	10	1
5	23002678	BRACKET	10	2
6	23002679	LEVER, DOOR	10	1
7	23002680	TYRE	10	1
8	23002681	INSERTION PIECE	10	8
9	23002682	WASHER	10	8
10	23002683	PLATE	10	4
11	23002684	Z-BRACKET	10	4
12	23002685	NUT, DISPLACING	10	1
13	23002686	WASHER, WEARING	10	2
14 N	23002687	SPACER	10	2
15	23002688	SEAL, GLASS	10	1
16	23002689	SEAL, DOOR	10	1
17	23002690	GLASS	10	1
18	23002265	WASHER	10	4
19	23001468	STICKER, SPIN DIRECTION	10	1
20	23001618	SCREW (M6X18)	10	4
21	23001658	SCREW (M6X10)	10	1
22	23002280	NUT (M6)	10	12
23 N	23002392	NUT (M6)	10	8
24	23002129	WASHER (M4)	10	12
25	23002130	WASHER (6)	10	12
26	23002691	PIN	10	1
27	23002692	SLEEVE	10	1
28	23002693	RING, RETAINING (14)	10	1
29	23002694	BOARD, CONSOLE	10	2
30	23002695	SUPPORT, CONSOLE	10	2
31	23002696	SLEEVE	10	2
32	23002697	SCREW (M12 X 30)	10	4
33	23002698	SCREW, DOOR CONSOLE	10	4
34 N	23002699	WASHER, DOOR CONSOLE	10	4
35	23002297	LABEL, HEATWARNING	10	1

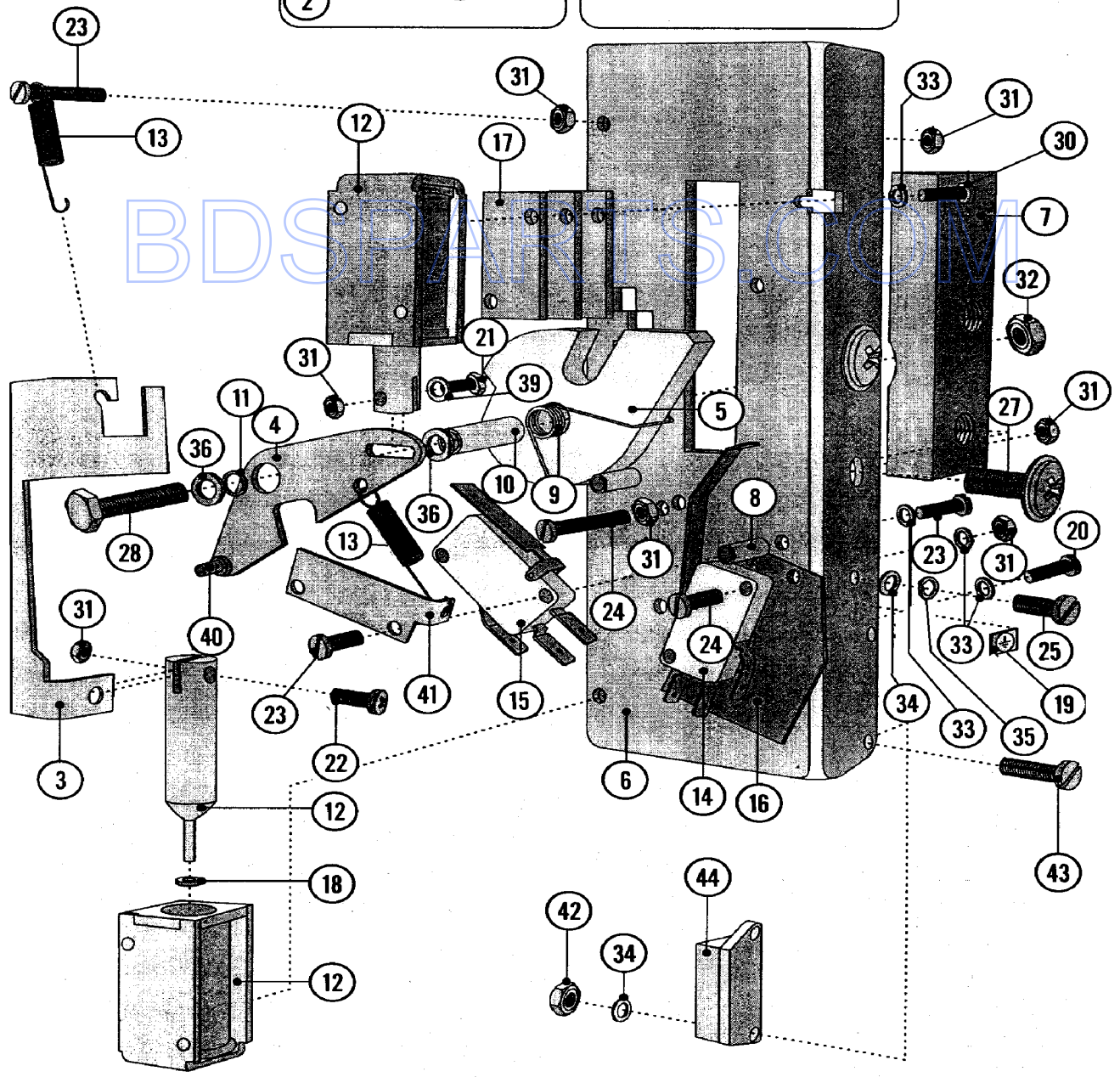
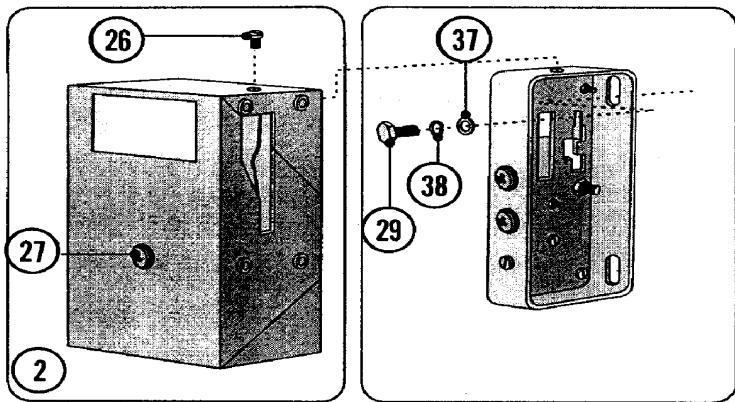
\*Color Code (-)=Not Shown #=Series, Serial Prefix or Run No., N=Not Available

Section: DOOR LOCK

Model: MFS80PNAVS

Door Lock (complete)

1



CW10-44

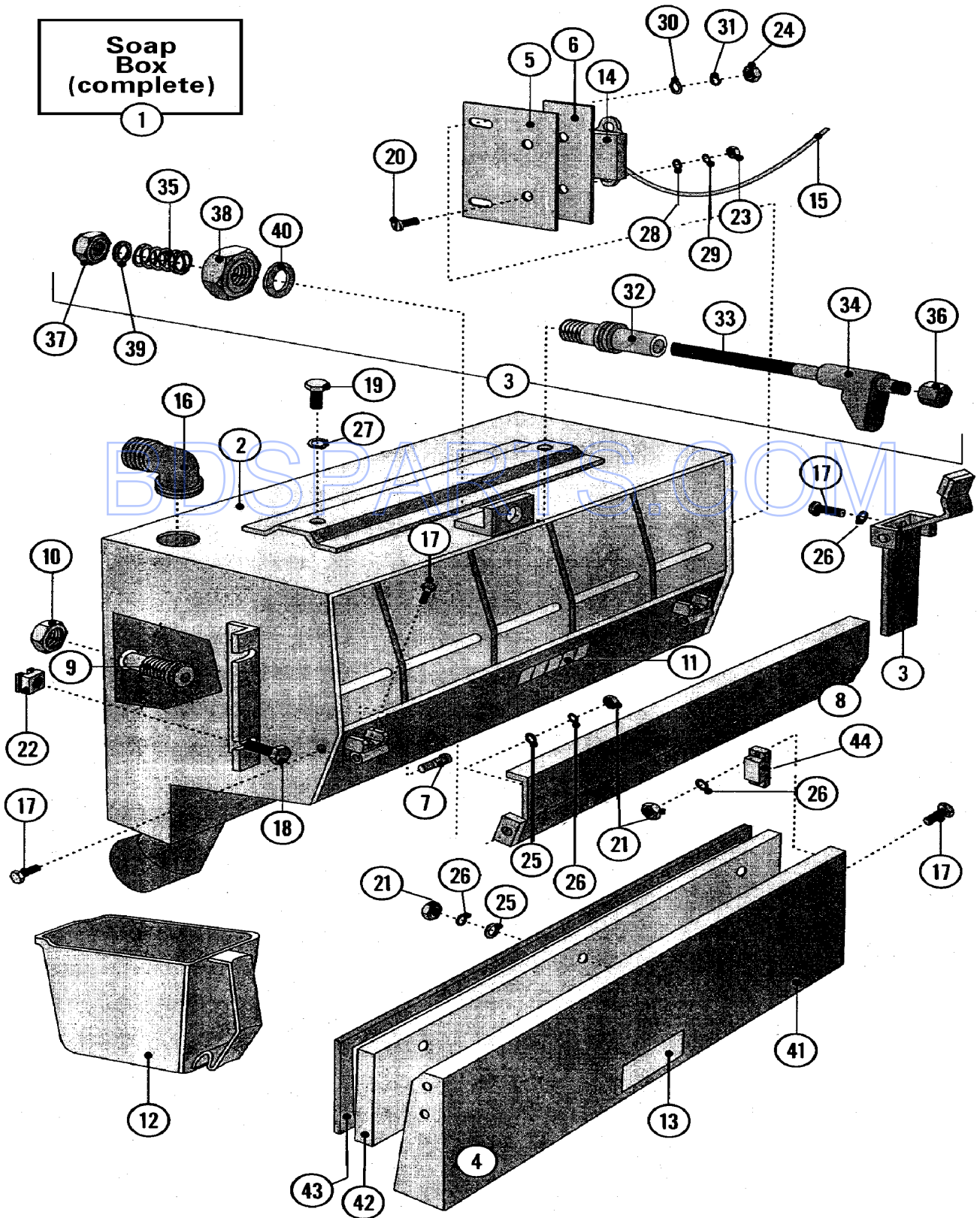
## Section: DOOR LOCK

No.	Part No.	Description	Series	Qty
1	23002700	LOCK, DOOR	10	1
2	23002701	COVER, DOOR LOCK	10	1
3	23002702	GATE	10	1
4	23002703	LINK	10	1
5	23002704	CAM LU	10	1
6	23002705	ELEMENT	10	1
7	23002706	RISING SECTION	10	1
8 N	23002707	COLUMN	10	2
9	23002708	SPRING	10	1
10	23002709	TUBE	10	1
11	23002710	RING	10	1
12	23002711	COIL	10	2
13	23002712	SPRING	10	2
14	23002713	MICROSWITCH	10	1
15	23002714	MICROSWITCH	10	1
16	23002715	INSULATION	10	1
17	23002716	WASHER, COIL	10	3
18	23001136	WASHER (DIA. 5.1 X 3.3 X 0.1)	10	2
19 N	23001546	LABEL, EARTH	10	1
20	23002717	SCREW (M3 X 6)	10	2
21 N	23002183	SCREW (M3X10)	10	2
22	23001635	SCREW (M3X14)	10	2
23	23002718	SCREW (M3 X 16)	10	3
24	23002719	SCREW (M3 X 20)	10	3
25	23002720	SCREW (M4 X 8)	10	1
26	23002721	SCREW (M4 X 12)	10	2
27	23002722	SCREW (M6 X 12)	10	3
28	23002463	SCREW (M6 X 30)	10	1
29	23002723	SCREW (M8 X 22)	10	2
30 N	23003229	SCREW (M3X12)	10	2
31	23002500	WASHER, LOCK	10	9
32	23002436	NUT (M6)	10	1
33	23002174	WASHER (3.2)	10	8
34	23002725	WASHER (3)	10	3
35	23002400	WASHER	10	1
36	23002726	WASHER (6)	10	2
37	23002359	WASHER (M6)	10	2
38	23002727	WASHER (8) LU	10	2
39	23002325	WASHER	10	2
40	23002728	PIN	10	1
41 N	23002729	HOLDER, COIL	10	1
42	23002399	NUT(M4)	10	2
43	23002398	SCREW (M4X16)	10	2
44	23002730	SEAL	10	1

\*Color Code (-)=Not Shown #=Series, Serial Prefix or Run No., N=Not Available

Section: SOAP BOX

Model: MFS80PNAVS



CW16-14

## Section: SOAP BOX

No.	Part No.	Description	Series	Qty
1	23003230	SOAP BOX (COMPLETE)	10	1
2	23002731	SOAPHOPPER	10	1
3	N 23002732	OVERSEAL	10	5
4	23002733	COVER, SOAPHOPPER	10	1
5	N 23002734	HOLDER	10	1
6	23002735	INSULATION	10	1
7	23002736	PIN, DOOR	10	2
8	23002737	COVER	10	1
9	23002738	NOZZLE	10	5
10	23002739	NUT	10	5
11	N 23002740	PLATE, INDEX	10	1
12	23002294	HOPPER, SOAP DOSING	10	5
13	N 23002741	PLATE, INDEX	10	1
14	23001566	SWITCH, MAGNETIC	10	1
15	23002742	TUBE, INSULATION	10	1
16	N 23002743	ELBOW	10	1
17	23001682	SCREW (M4X6)	10	12
18	23002353	SCREW (M6X12)	10	4
19	N 23002744	SCREW (M6 X 10)	10	2
20	N 23002183	SCREW (M3X10)	10	2
21	23002652	NUT (QTY OF 4 = 1 PIECE)	10	5
22	23001339	NUT, CAGE	10	4
23	23002500	WASHER, LOCK	10	2
24	23002399	NUT (M4)	10	2
25	N 23002745	WASHER	10	3
26	23002674	SPRING, LOCK WASHER	10	12
27	23002357	WASHER	10	2
28	23002174	WASHER (3.2)	10	2
29	N 23002746	WASHER	10	2
30	23001610	WASHER (4.3)	10	2
31	23002400	WASHER	10	2
32	23002747	PIN	10	1
33	23002748	SCREW	10	1
34	23002749	LEVER	10	1
35	23002750	SPRING	10	1
36	N 23002392	NUT (M6)	10	1
37	23002471	NUT	10	1
38	N 23002659	NUT (M12)	10	1
39	23002282	WASHER (6)	10	1
40	23002658	WASHER (12)	10	1
41	23003231	COVER, SOAP BOX (COMPLETE)	10	1
42	23002751	COVER, INSERT	10	1
43	23001666	SEAL (10X20X1130) LU	10	1
44	23001668	CONTACT, MAGNETIC	10	1

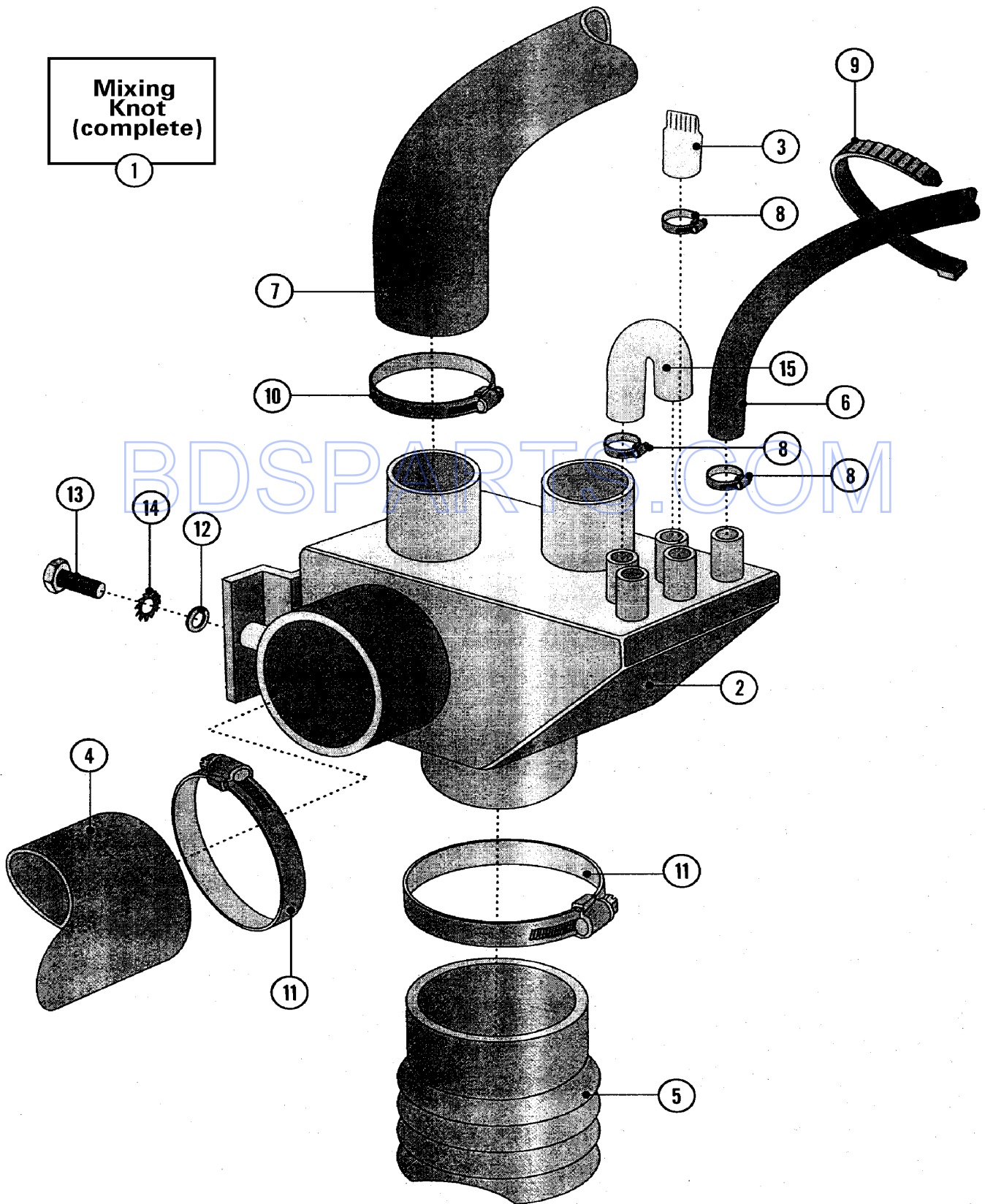
\*Color Code (-)=Not Shown #=Series, Serial Prefix or Run No., N=Not Available

Section: FILLING SYSTEM

Model: MFS80PNAVS

Mixing Knot  
(complete)

1



CW16-15



**Section: FILLING SYSTEM**

No.	Part No.	Description	Series	Qty
1	23003232	KNOT, MIXING	10	1
2	23002752	MIXER	10	1
3	23001459	LIQUID SOAP, HOSE	10	1
4	23001589	TUBE, SOAP BOX (1=210MM)	10	1
5	23002754	HOSE	10	1
6	23001459	LIQUID SOAP, HOSE	10	5
7	23002755	HOSE	10	1
8	23001506	CLAMP, HOSE	10	5
9	23001720	BINDER, CABLE	10	2
10	23001261	CLAMP, HOSE (32-50)	10	2
11	23001256	CLAMP, HOSE (60-80)	10	1
12	23002438	WASHER (M6)	10	2
13	23002463	SCREW (M6 X 30)	10	2
14	23002756	WASHER	10	2
15	23001459	LIQUID SOAP, HOSE	10	2

BDSPARTS.COM

\*Color Code (-)=Not Shown #=Series, Serial Prefix or Run No., N=Not Available

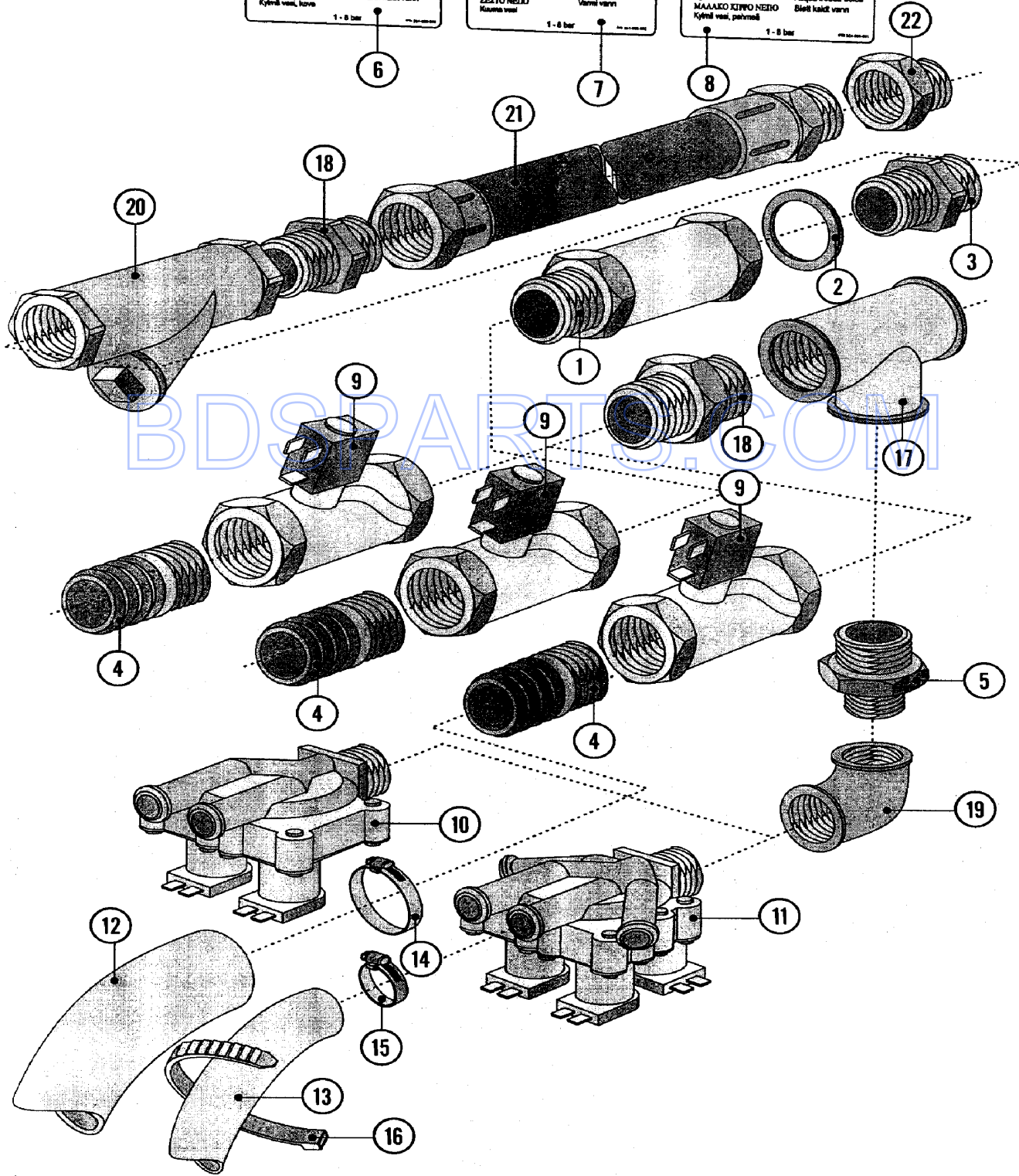
Section: VALVES

Model: MFS80PNAVS

Hard water / Kald / Cold water / Agua / Ague / ЗЛАКАКО / Kytmi / 1 - 8 bar

Warm water / Hot water / Agua Caliente / ZESTO / Kuumaa vesi / 1 - 8 bar

Soft water / Agua / Ague / MAAAKO / Kytmi / 1 - 8 bar



BDS PARTS.COM

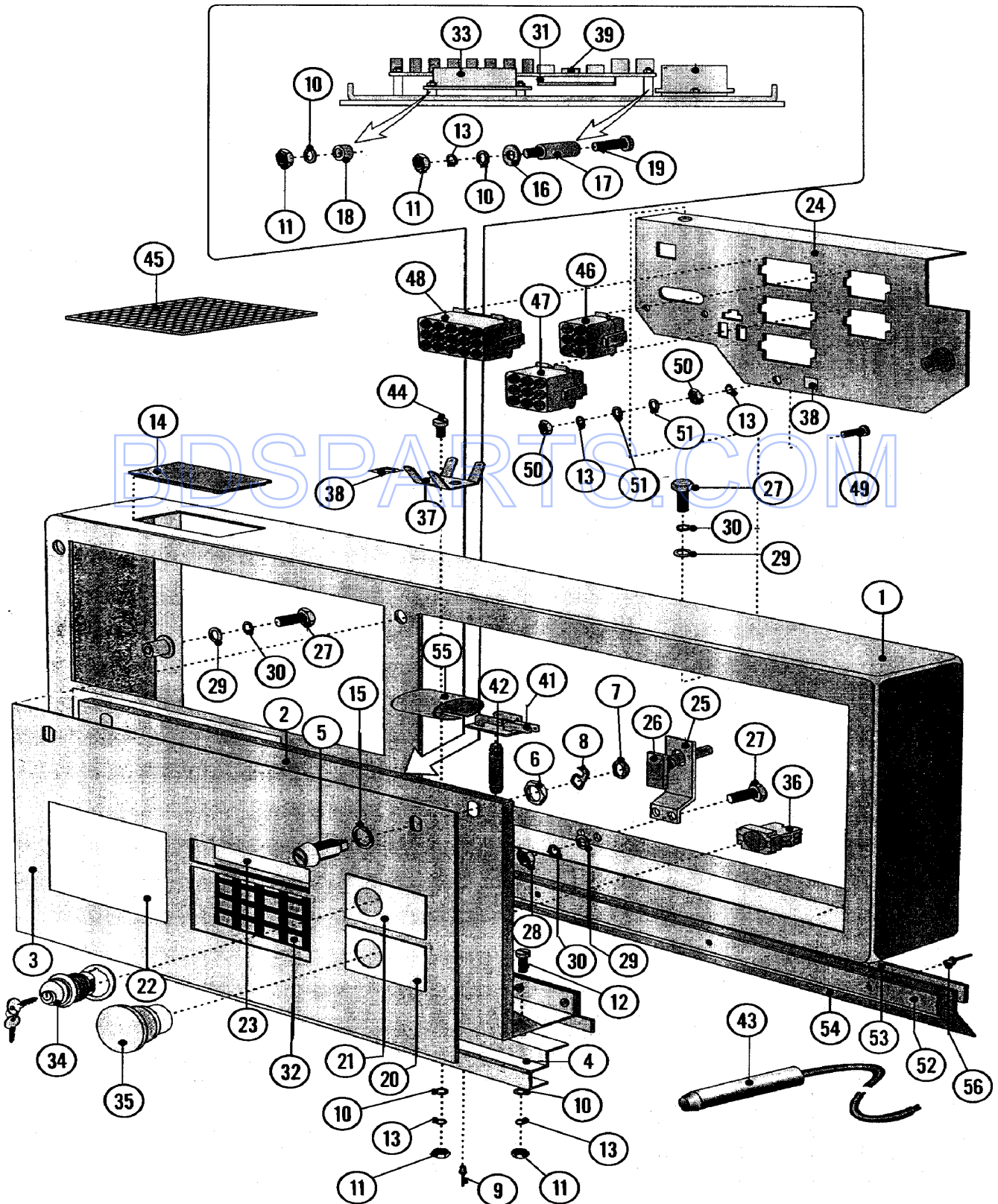
## Section: VALVES

No.	Part No.	Description	Series	Qty
1	23002757	EXTENSION	10	1
2	23002758	WASHER	10	3
3	23002759	NIPPLE, PIPE	10	3
4	23002760	ONTUBE	10	3
5	23002761	REDUCER	10	2
6	23001471	STICKER, COLD SOFT WATER	10	1
7	23001469	STICKER, HOT WATER	10	1
8	23001470	STICKER, COLD HARD WATER	10	1
-	23003693	DIAPHRAGM, VALVE	10	1
-	23003694	COIL, VALVE	10	1
9	23002762	VALVE	10	3
10	23002070	VALVE, INLET (2-WAY 3/4")	10	1
11	23001755	VALVE, FOUR WAY (3/4")	10	1
-	24001121	KIT, VALVE REPAIR (10MM)	10	1
12	23002755	HOSE	10	3
13	23001507	WATERHOSE (GREEN)	10	6
14	23001261	CLAMP, HOSE (32-50)	10	2
15	23001506	CLAMP, HOSE	10	12
16	23001720	BINDER, CABLE	10	5
17	23002069	T-PART (1")	10	2
18	23002068	NIPPLE (1")	10	2
19	23001756	ELBOW (3/4")	10	5
20	23002156	FILTER	10	3
21	23002057	HOSE, WATER INLET	10	3
22	23001256	CLAMP, HOSE (60-80)	10	3

\*Color Code (-)=Not Shown #=Series, Serial Prefix or Run No., N=Not Available

Section: CONTROL PANEL

Model: MFS80PNAVS



CW14-41

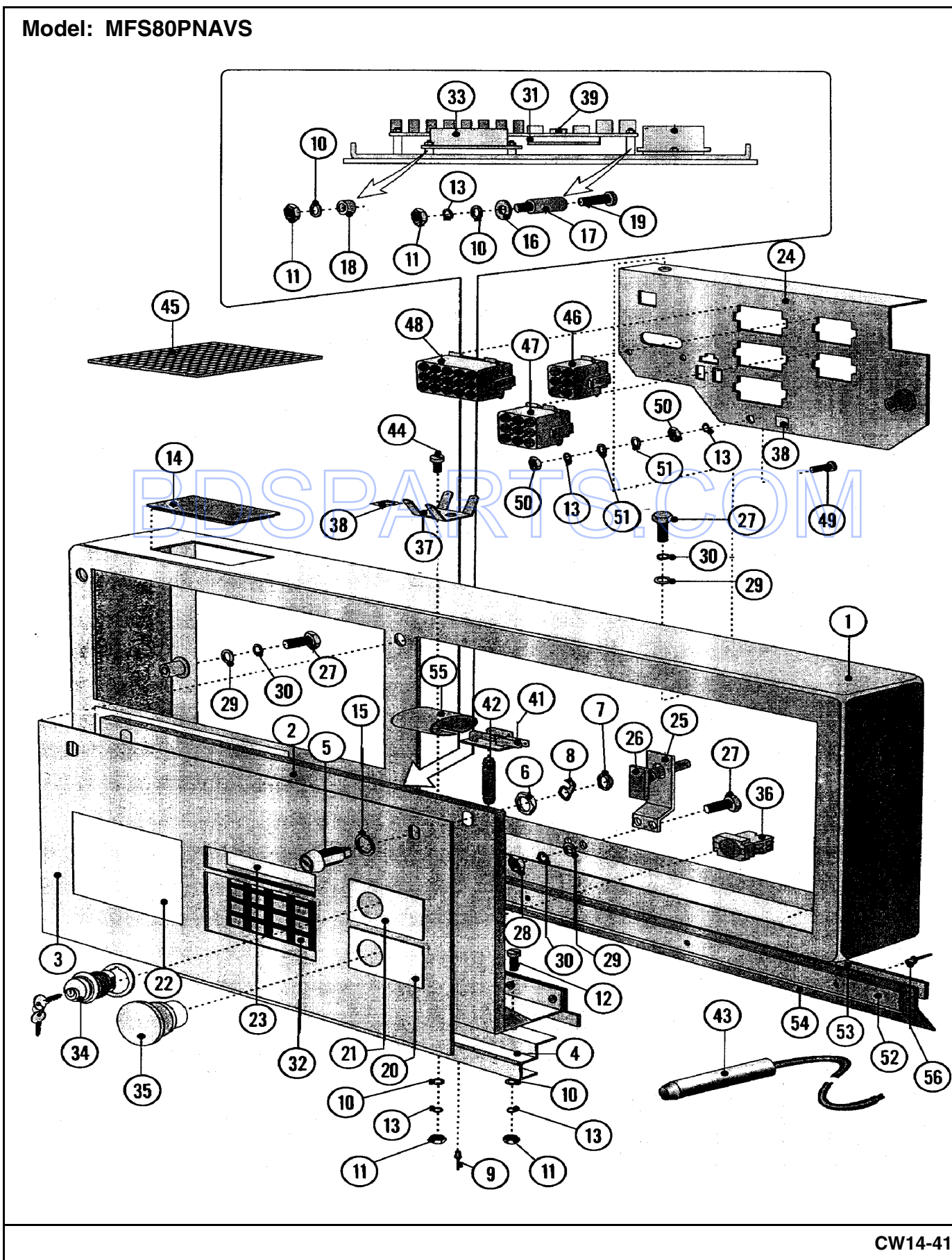
## Section: CONTROL PANEL

No.	Part No.	Description	Series	Qty
1	23002763	PANEL, FRONT	10	1
2	23003233	COVER, TOP (COMPLETE)	10	1
3	23002765	PLATE, INDEX	10	1
4	23002766	SUPPORT, PLATE	10	1
5	23001583	DEVICE, LOCKING	10	2
6	23001008	LOCK NUT (LARGE)	10	2
7	23001011	NUT	10	2
8	23002451	PAWL	10	2
9	N 23002467	RIVET/CRANK (4 X 7.5)	10	8
10	23001610	WASHER (4.3)	10	4
11	23002399	NUT(M4)	10	9
12	23002423	SCREW (M4 X 10)	10	5
13	23002400	WASHER	10	9
14	N 23002453	COVER	10	1
15	23001007	WASHER, FIBER	10	2
16	N 23002767	INSULATION (WASHER)	10	6
17	N 23002768	INSULATION (BOARD SUPPORT)	10	6
18	23001058	SPACER	10	4
19	23002769	SCREW (M4 X 10)	10	6
20	N 23003143	LABEL, EMERGENCY STOP	10	1
21	N 23002771	PLATE (HOPPERS-PUMPS)	10	1
22	N 23003145	LABEL, PROGRAM	10	1
23	23002163	HOLE, INSPECTION	10	1
24	23002773	BRACKET, TERMINAL BOARD	10	1
25	23002774	HOLDER, VIBRATION SWITCH	10	1
26	23002775	SWITCH, VIBRATION	10	1
27	N 23002744	SCREW (M6 X 10)	10	4
28	23002651	NUT (M6)	10	6
29	23002282	WASHER (6)	10	6
30	23002357	WASHER	10	6
31	23002949	PROGRAMMER	10	1
32	23001692	KEYBOARD (MEMBRANE SWITCH)	10	1
33	23001718	BOARD, ADDITIONAL(SOAP BOARD)	10	1
34	00000000	SEE NOTE Note: SWITCH	10	1
35	23001078	EMERGENCY STOP	10	1
36	23001075	EMERGENCY BLOC (W/LAMP)	10	1
37	N 23002777	CONTACT (6.3 TYPE 140609-0)	10	1
38	N 23001546	LABEL, EARTH	10	1
39	23003745	CONTROLLER, APL280NE V1.04	10	1
39	23003744	CONTROLLER, APL280NS V1.04	10	1
40	23002025	CONNECTION, ELECTRICAL	10	1
41	23001094	BRIDGE, RECTIFIER	10	2
42	23001099	PC BOARD SOCKET	10	2
43	23001073	SENSOR, TEMPERATURE	10	1
44	23001609	SCREW (M4X12)	10	6
45	N 23002100	LABELS, DESCRIPTION	10	1
46	23001723	BOARD, TERMINAL (AMP 6 POLES)	10	1
47	23001722	BOARD, TERMINAL (AMP 9 POLES)	10	1
48	23001721	BOARD, TERMINAL (AMP 15 POLES)	10	1
49	23002778	SCREW (M4 X 12)	10	1
50	N 23002779	NUT (M4)	10	1
51	23002725	WASHER (3)	10	1
52	N 23002780	BAR	10	1
53	N 23002781	STRIP	10	1
54	23002782	TOP CUFF	10	1
55	23002408	RIVET W/CRANK	10	12

\*Color Code (-)=Not Shown #=Series, Serial Prefix or Run No., N=Not Available

Section: CONTROL PANEL

Model: MFS80PNAVS



CW14-41

**Section: CONTROL PANEL**

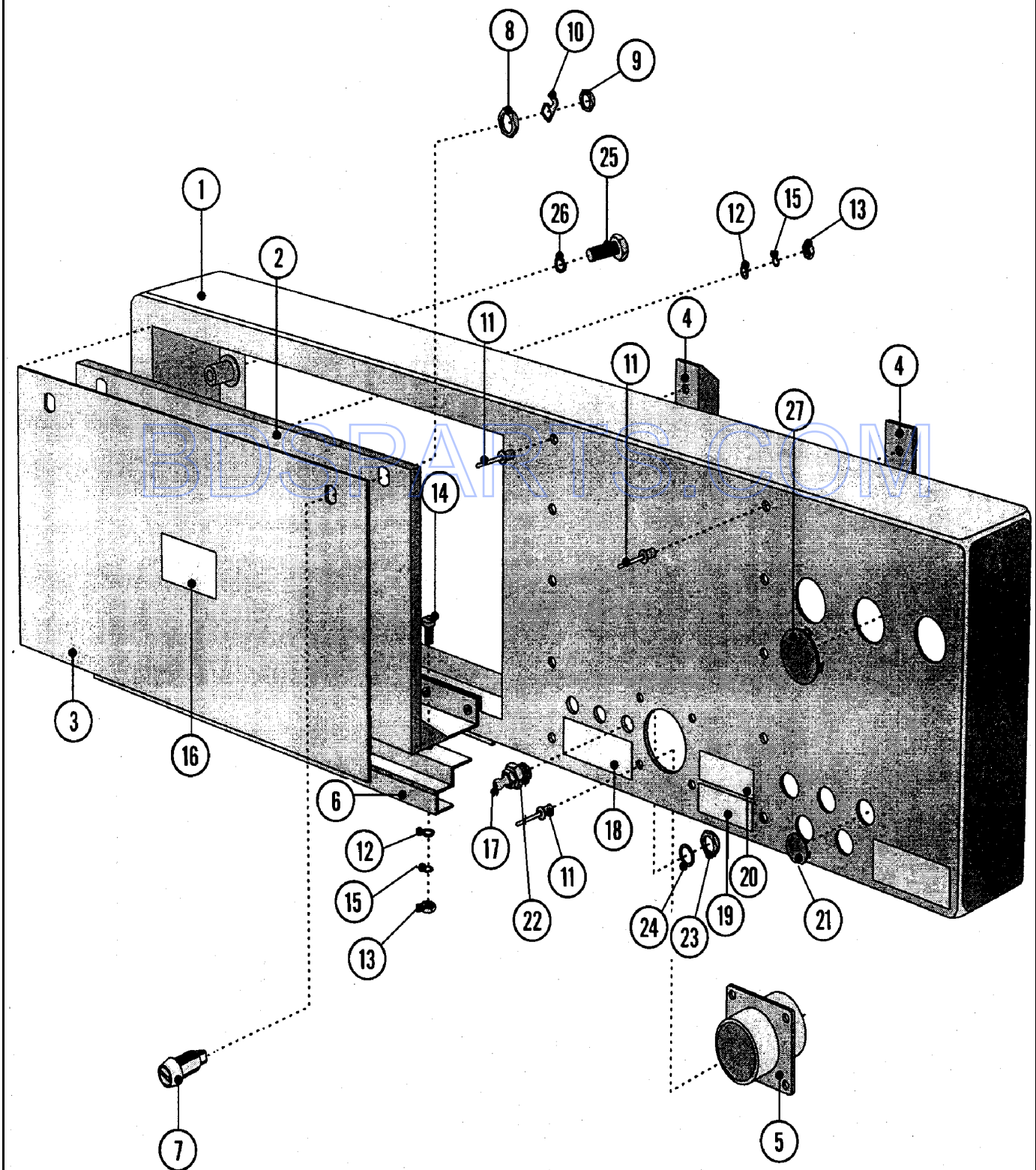
No.	Part No.	Description	Series	Qty
56	23002219	DEVICE, OPERATING	10	1

BDSPARTS.COM

\*Color Code (-)=Not Shown #=Series, Serial Prefix or Run No., N=Not Available

Section: REAR PANEL

Model: MFS80PNAVS



CW21-123



## Section: REAR PANEL

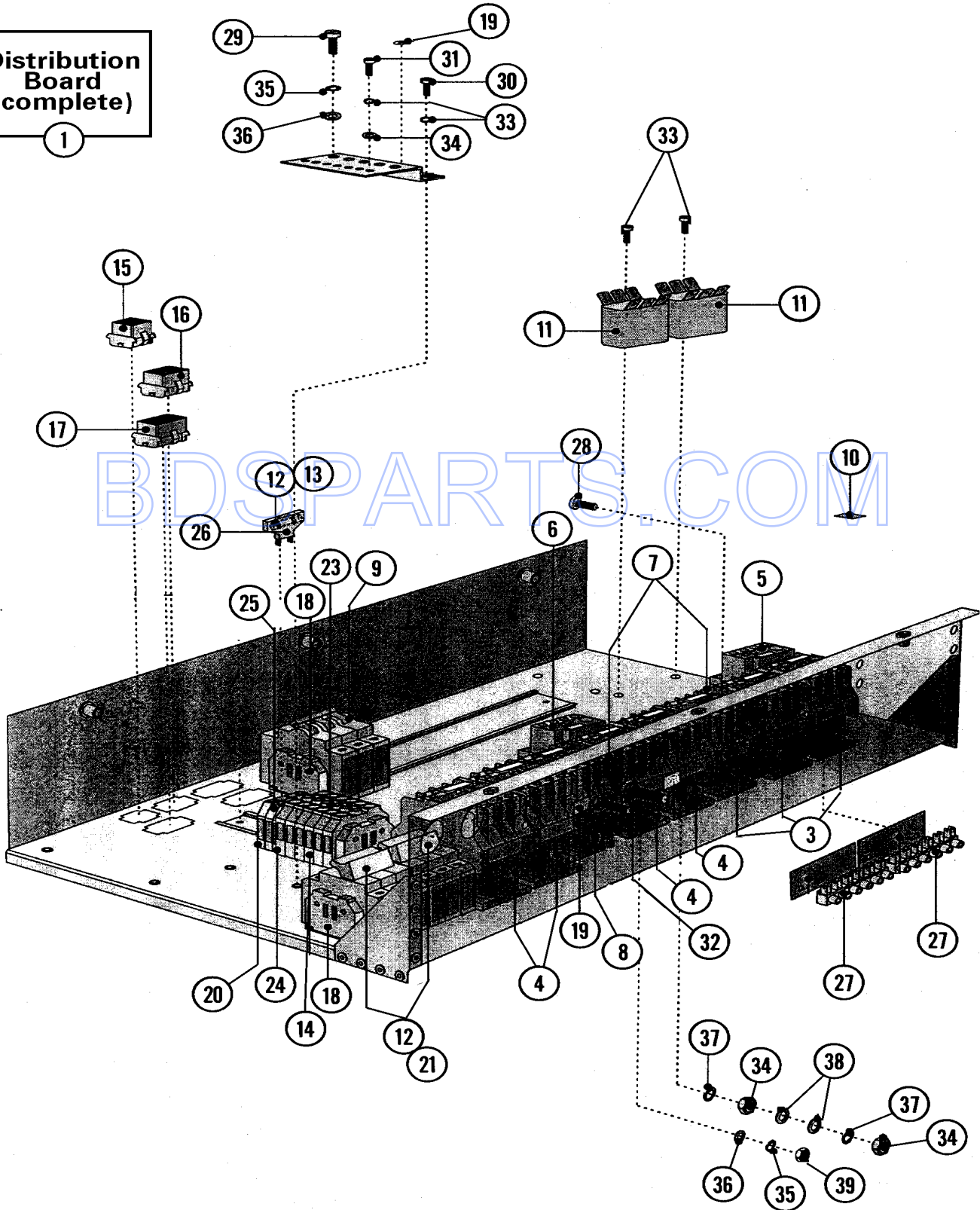
No.	Part No.	Description	Series	Qty
1	23002783	PANEL, REAR	10	1
2	23002784	COVER, REAR PANEL	10	1
3	23002785	PLATE, PANEL COVER	10	1
4	23002786	FRAME, PUMPS	10	1
5	23002787	VENT, REAR PANEL	10	1
6	23002766	SUPPORT, PLATE	10	1
7	23001583	DEVICE, LOCKING	10	2
8	23001008	LOCK NUT (LARGE)	10	2
9	23001011	NUT	10	2
10	23002451	PAWL	10	2
11	N 23002467	RIVET/CRANK (4 X 7.5)	10	19
12	23001610	WASHER (4.3)	10	9
13	23002399	NUT(M4)	10	9
14	23002423	SCREW (M4 X 10)	10	5
15	23002400	WASHER	10	9
16	23002301	LABEL, EL.FLASH	10	1
17	23002788	HEAD, GREASING	10	3
18	23002793	PLATE (GREASING)	10	1
19	23002053	LABEL, WARNING VENT OUT	10	1
20	N 23002789	PLATE (PUMPS)	10	1
21	N 23002794	PLUG (13)	10	5
22	N 23002790	SLEEVE, REDUCING	10	3
23	23002791	NUT (M14 X 1.5)	10	3
24	23002792	WASHER (14)	10	3
25	N 23002744	SCREW (M6 X 10)	10	4
26	23002357	WASHER	10	4
27	23002795	PLUG	10	1

\*Color Code (-)=Not Shown #=Series, Serial Prefix or Run No., N=Not Available

Section: ELECTRICAL COMPONENTS

Model: MFS80PNAVS

Distribution Board  
(complete)  
1



CW21-125

## Section: ELECTRICAL COMPONENTS

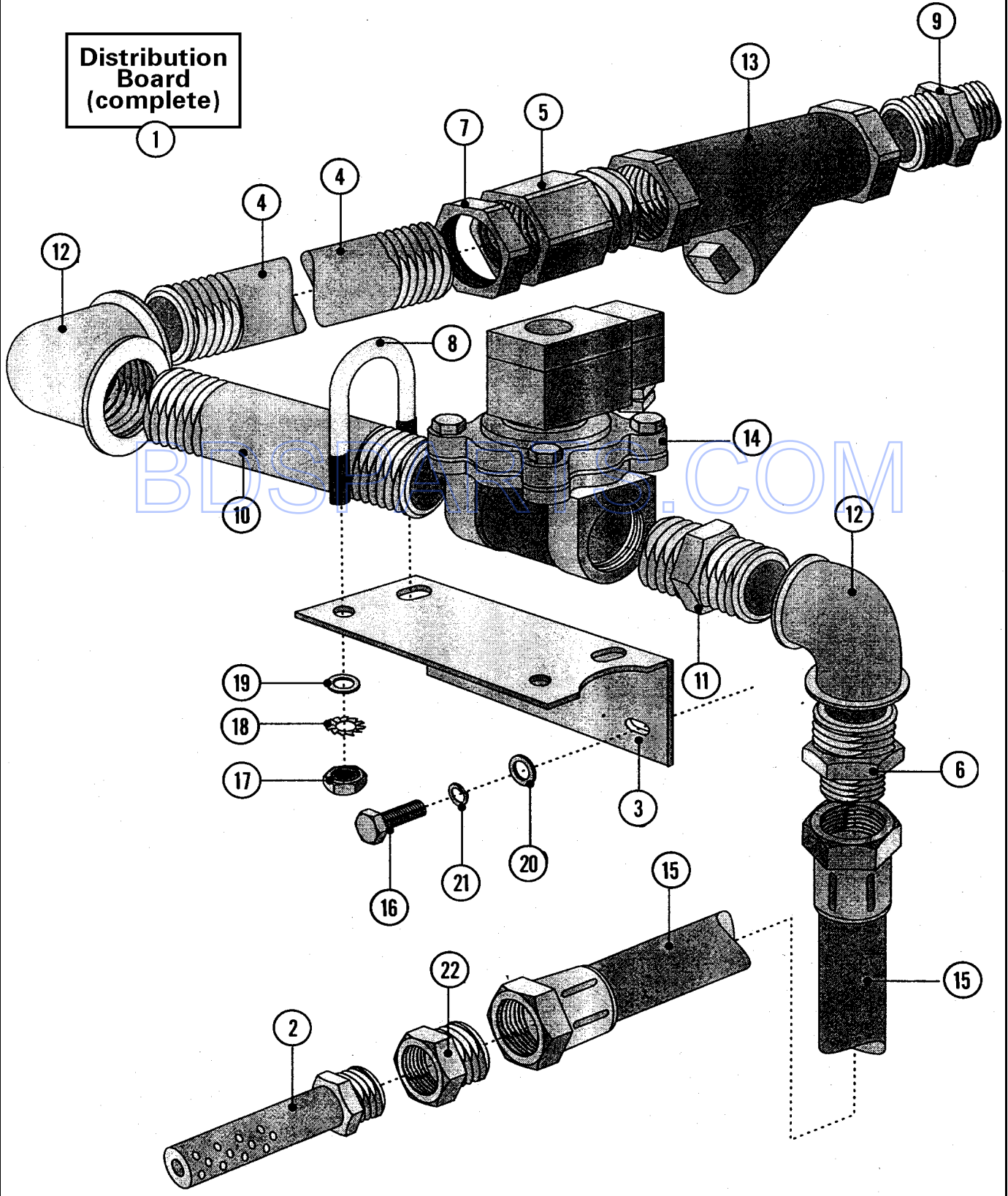
No.	Part No.	Description	Series	Qty
1	23003235	BOARD, DISTRIBUTION (COMPLETE)	10	1
2	23002099	CUBE, EARTH	10	1
3	23001101	CONTACTOR (LC1-D1201 M7)	10	3
4	23001102	CONTACTOR (LC1-D1801 M7)	10	3
5	23001107	RELAY, THERMAL OVERLOAD(12-18A)	10	1
6	23001108	RELAY, THERMAL OVERLOAD (7-10A)	10	1
7	23001119	MECHANICAL INTERLOCK, CONTACTO	10	2
8	23002796	CONTACTOR (LC1-D1810 M7)	10	1
9	23001717	BREAKER, CIRCUIT	10	1
10	23003236	PLATE, INDEX	10	1
11	N 23001518	NET FILTER	10	2
12	23001463	FUSE (2A)	10	2
13	23002043	FUSE (4A)	10	2
14	23002797	CLAMP	10	6
15	23001722	BOARD, TERMINAL (AMP 9 POLES)	10	1
16	23002798	BOARD,TERMINAL (12 POLE)	10	1
17	23001721	BOARD, TERMINAL (AMP 15 POLES)	10	1
18	23002110	TERMINAL WAGO	10	6
19	N 23001546	LABEL, EARTH	10	2
20	N 23002800	COVER (VAST4-4)	10	1
21	23002801	DISCONNECTOR, FUSE (PST-10X38)	10	2
22	N 23003237	INSERT, ROLLER FUSE	10	6
23	23002803	BRIDGE (19.116.217-02)	10	3
24	23003238	COVER	10	1
25	23003239	CLAMP, FUSE PLUG	10	6
26	23003240	PLUG, FUSE	10	2
27	23002154	BOARD, TERMINAL (6 POLES)	10	2
28	23001609	SCREW (M4X12)	10	6
29	N 23002804	SCREW (M4 X 10)	10	4
30	23002805	SCREW (M4 X 16)	10	2
31	23001733	SCREW (M6X10)	10	4
32	23002806	SCREW (M6 X 25)	10	1
33	N 23002809	SCREW (ST4.2 X 13)	10	2
34	23001515	NUT (M6)	10	2
35	23002400	WASHER	10	9
36	23002725	WASHER (3)	10	7
37	23002357	WASHER	10	8
38	23002726	WASHER (6)	10	6
39	00000000	SEE NOTE	10	1
40	23001115	INSULATION PAPER	10	4
41	N 23001742	PASSAGE, CABLE (22X2)	10	2

\*Color Code (-)=Not Shown #=Series, Serial Prefix or Run No., N=Not Available

Section: STEAM SUPPLY

Model: MFS80PNAVS

Distribution Board (complete)



CW21-126

**Section: STEAM SUPPLY**

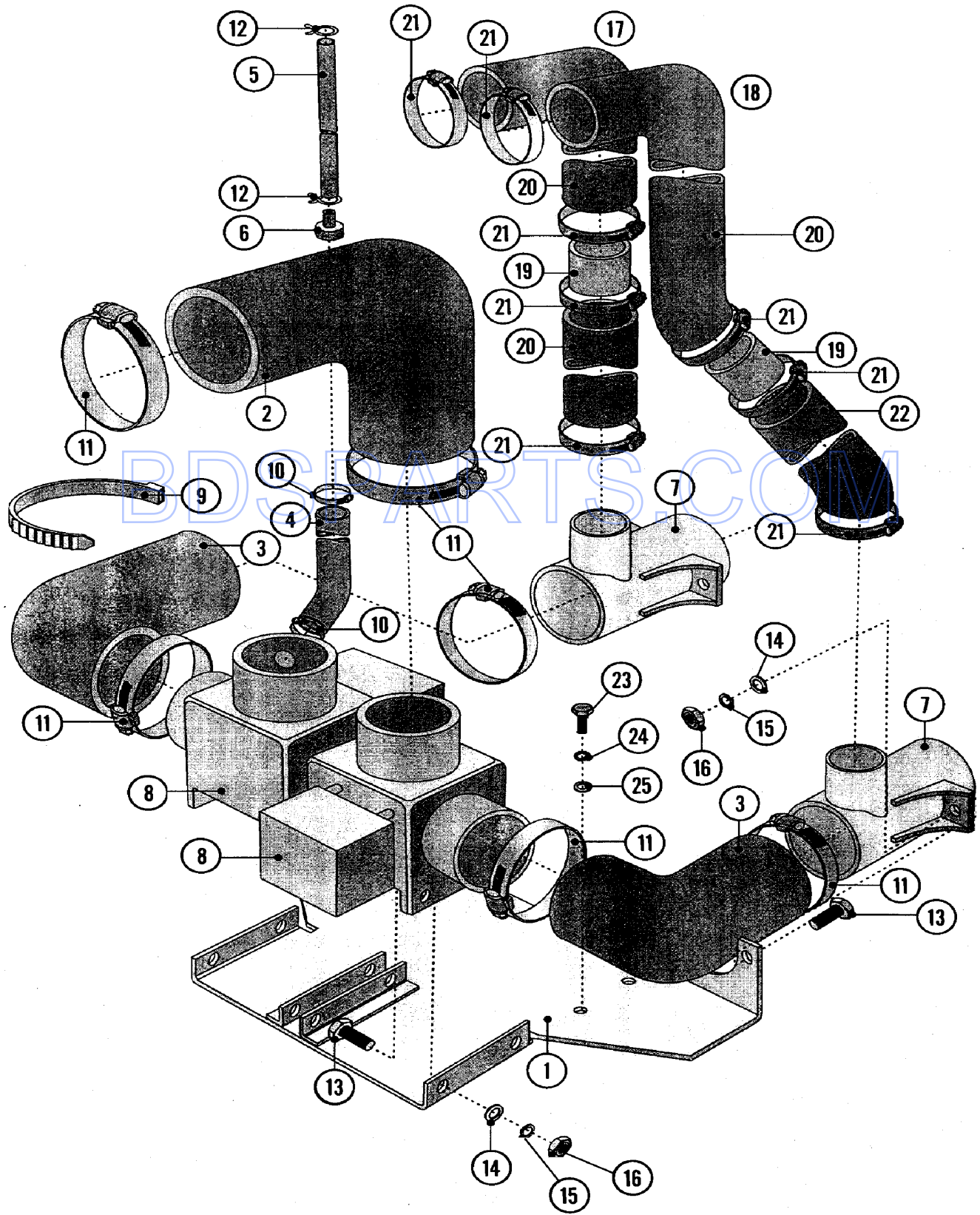
No.	Part No.	Description	Series	Qty
1	23003241	SUPPLY, STEAM	10	1
2	23002811	PIPE, STEAM	10	1
3	23003242	HOLDER	10	1
4	23002813	PIPE (2)	10	1
5	23002814	EXTENSION	10	1
6	23002815	REDUCER (2)	10	1
7	23002816	NUT	10	1
8	23002433	HOLDER	10	2
9	23002761	REDUCER	10	1
10	23002817	PIPE	10	1
11	23001482	NIPPLE (3/4" PIPE THREAD)	10	1
12	23001756	ELBOW (3/4")	10	2
13	23002818	PIPE (PROTECTIVE FILTER 1")	10	1
14	23002819	VALVE, STEAM (3/4")	10	1
15	23002820	HOSE, STEAM	10	1
16	23002475	BOLT (M8X20)	10	2
17	23002651	NUT (M6)	10	4
18	23002357	WASHER	10	4
19	23002282	WASHER (6)	10	4
20	23002653	WASHER (8/6)	10	2
21	23002358	WASHER (M8)	10	2
22	23002821	REDUCER (1)	10	1

BDS PARTS.COM

\*Color Code (-)=Not Shown #=Series, Serial Prefix or Run No., N=Not Available

Section: DRAIN SUPPLY

Model: MFS80PNAVS



CW21-127

## Section: DRAIN SUPPLY

No.	Part No.	Description	Series	Qty
1	23003243	BOARD, DRAIN (COMPLETE)	10	1
2	23003244	ELBOW, 90 DEGREE	10	2
3	23003245	ELBOW, 90 DEGREE	10	1
4	23001762	ELBOW	10	1
5	23001252	HOSE, WATER LEVEL SWITCH	10	1
6	23001260	BUSHING, AIR DOME HOSE	10	1
7	23001253	DRAIN TEE	10	2
8	23001244	VALVE, DRAIN (240V-50/60HZ)	10	2
9	23001720	BINDER, CABLE	10	5
10	23001262	CLAMP, HOSE (20-32)	10	2
11	23001258	CLAMP, HOSE (70-90)	10	12
12	23001257	CLAMP, CORBIN (A5.5)	10	2
13	23002475	BOLT (M8X20)	10	8
14	23002653	WASHER (8/6)	10	8
15	23002358	WASHER (M8)	10	8
16	23002435	NUT (M8)	10	8
17	23002824	HOSE, DIRECT	10	2
18	23003246	HOSE, BENDED	10	2
19	23002826	PIPE (40)	10	2
20	23001760	HOSE, OVERFLOW	10	2
21	23001750	RING, CLAMP (40-60)	10	8
22	23001251	HOSE, OVERFLOW	10	1
23	23002354	SCREW (M6X16)	10	2
24	23002357	WASHER	10	2
25	23002282	WASHER (6)	10	2

\*Color Code (-)=Not Shown #=Series, Serial Prefix or Run No., N=Not Available