

PARTS LIST

for

MAYTAG[®]

**COMMERCIAL
AUTOMATIC WASHER**

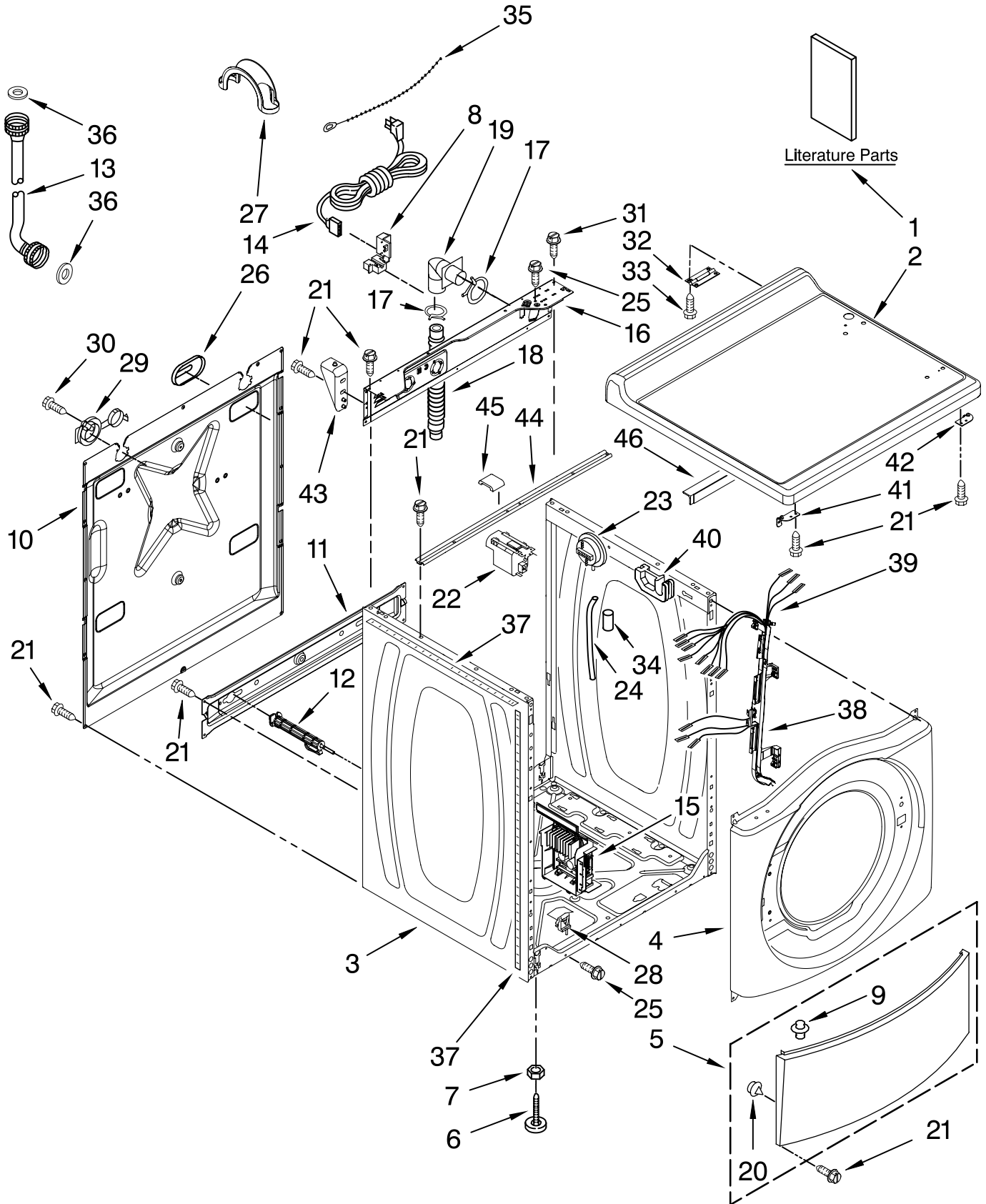
MODEL NO.(S)

MHN30PDAWW0

TOP AND CABINET PARTS

For Model: MHN30PDAWW0

(White)



FOR ORDERING INFORMATION REFER TO PARTS PRICE LIST

TOP AND CABINET PARTS

For Model: MHN30PDAWW0

(White)

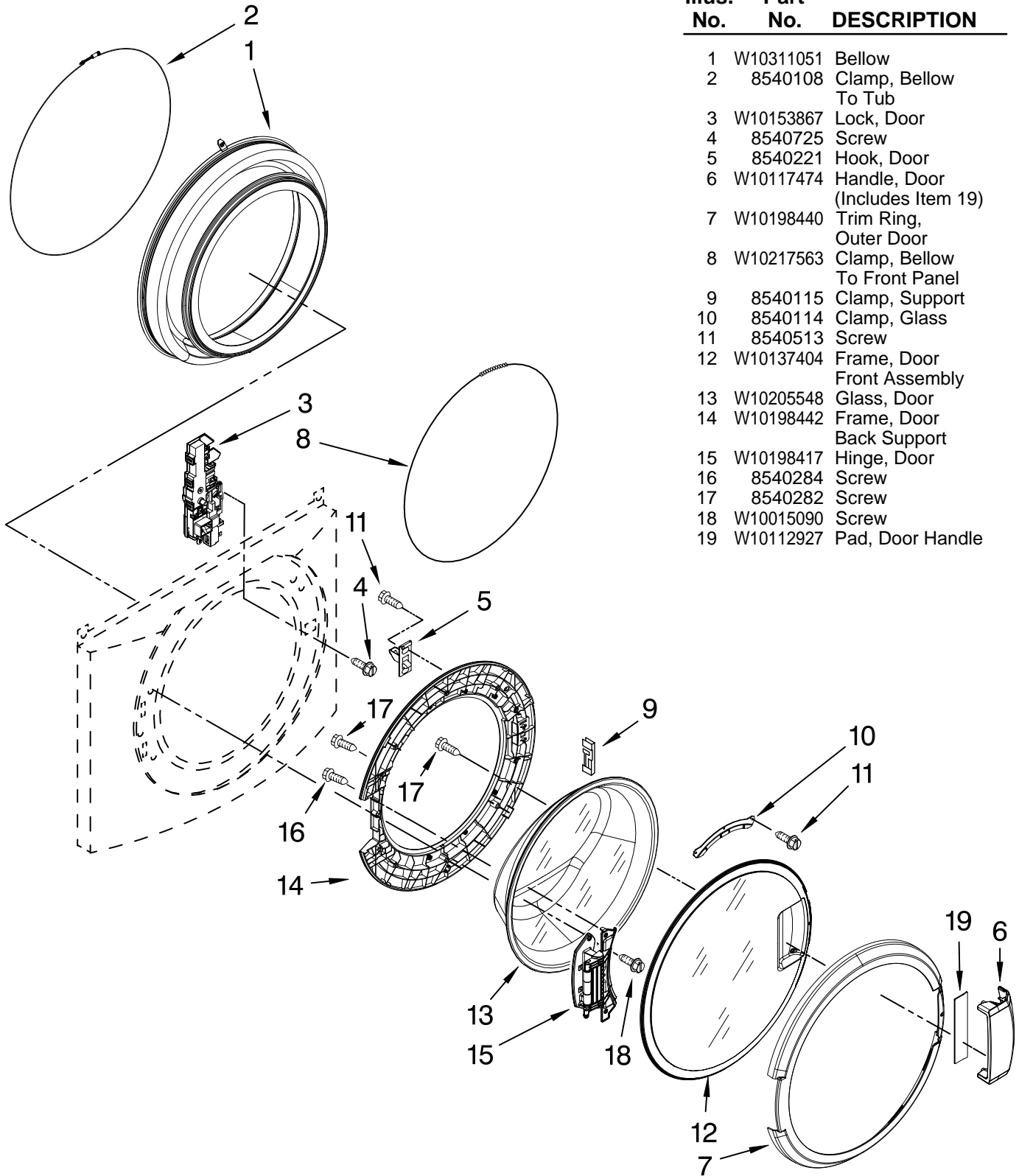
Illus. No.	Part No.	DESCRIPTION	Illus. No.	Part No.	DESCRIPTION	Illus. No.	Part No.	DESCRIPTION
1		Literature Parts	17	356138	Clamp, Hose	36	3976300	Washer, Water
	W10353871	Installation	18	W10106460	Hose, Drain- Outer			Inlet Hose
		Instructions						1-1/16 x 5/8
		Tech Sheet	19	W10003260	Connector,	37	8318396	Seal, Foam-IEC
	W10311068	English			Hose Outlet	38	W10168546	Harness Channel,
	W10311070	French	20	238614	Bumper			Side Front
	W10353873	Repair Parts List	21	W10015090	Screw, 8-18 x 5/8	39	W10298334	Harness, Wiring
2	W10137411	Top	22	W10355868	Filter,			(Lower Main)
3	W10225458	Cabinet			Interference			Includes Item 38
4	W10306505	Panel, Front	23	W10292407	Switch, Pressure			And The Following
5	8540813	Toe Panel	24	8540294	Hose, Pressure			Cable Sets:
6	W10245373	Foot, Leveling			Switch			(Not Illustrated)
7	3359452	Nut, Lock	25	8540479	Screw, Grounding		W10253050	CCU To MCU-Power
8	W10110676	Strain Relief, Power Cord	26	8540268	Cover, Transport			(2 Pole)
9	8518891	Rivet	27	8577378	U-Bend, Drain Hose		W10253054	CCU TO MCU-Serial
10	W10258342	Panel, Rear	28	W10085220	Microswitch			Communication
11	W10189659	Brace, Transport	29	8540728	Sleeve,			(3 Pole)
12	W10251449	Bolt, Shipping			Cord Support	40	8540643	Door Lock - Power
13		Hose, Water Inlet	30	8540727	Screw, 3 x 8 mm	41	W10137445	Bracket, Spring
	W10194208	Cold Water	31	8540329	Screw			Bracket - Top
	8571378	Hot Water	32	8565018	Hinge & Pin	42	W10137444	Panel, Left
14	W10205500	Cord, Power			Assembly			Bracket - Top
15	W10326465	Motor Control Unit	33	342055	Screw, 8-18 X 1/2	43	W10137398	Panel, Right
16	W10244560	Brace, Rear	34	2161302	Sleeve, Pressure	44	8540721	Stop - Top Panel
					Switch Hose	45	8283273	Brace, Top
			35	3347868	Cable Tie	46	W10279059	Damper, Brace
								Angle, Support-Top

FOR ORDERING INFORMATION REFER TO PARTS PRICE LIST

DOOR AND LATCH PARTS

For Model: MHN30PDAWW0

(White)



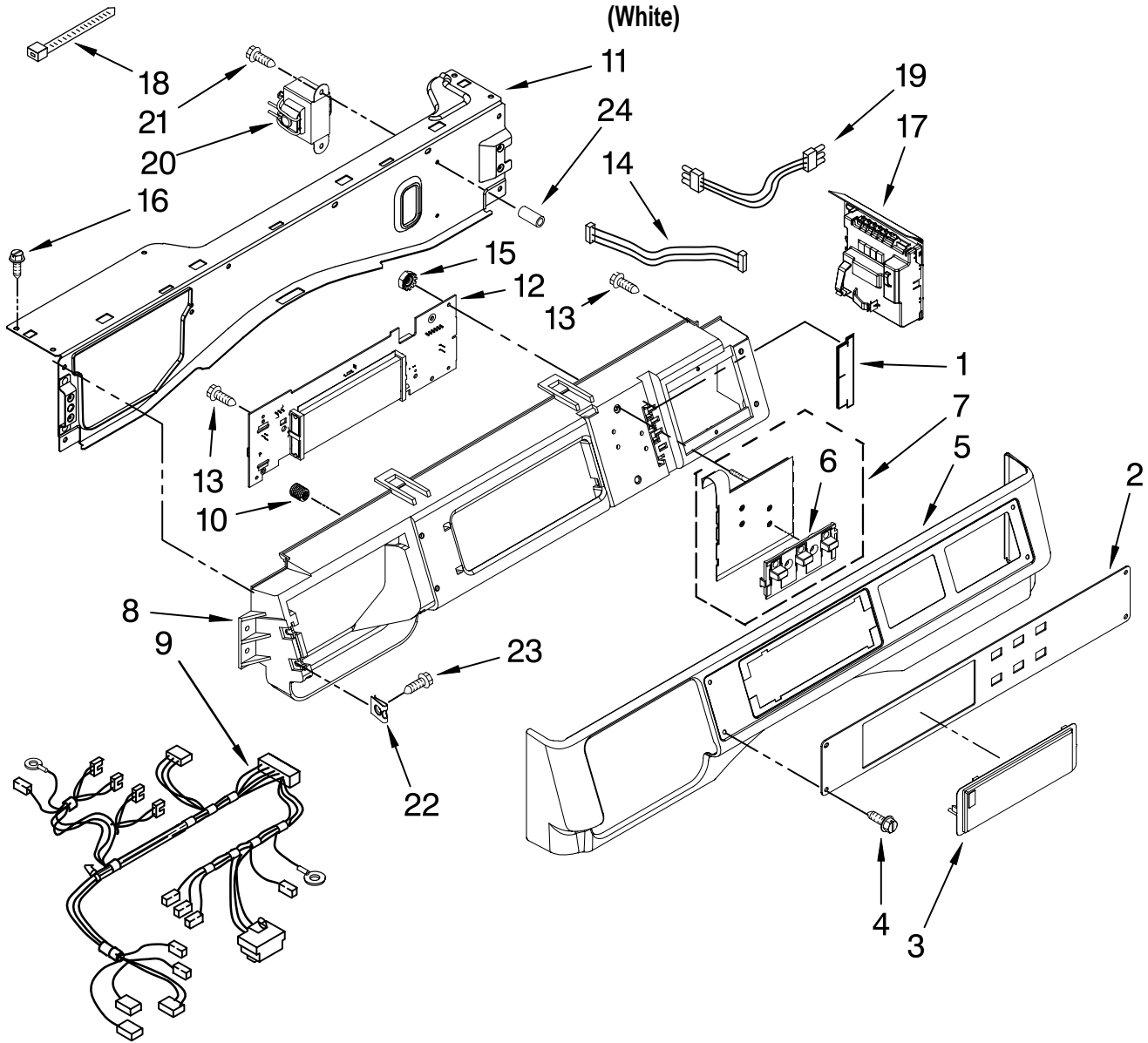
Illus. No.	Part No.	DESCRIPTION
1	W10311051	Bellow
2	8540108	Clamp, Bellow To Tub
3	W10153867	Lock, Door
4	8540725	Screw
5	8540221	Hook, Door
6	W10117474	Handle, Door (Includes Item 19)
7	W10198440	Trim Ring, Outer Door
8	W10217563	Clamp, Bellow To Front Panel
9	8540115	Clamp, Support
10	8540114	Clamp, Glass
11	8540513	Screw
12	W10137404	Frame, Door Front Assembly
13	W10205548	Glass, Door
14	W10198442	Frame, Door Back Support
15	W10198417	Hinge, Door
16	8540284	Screw
17	8540282	Screw
18	W10015090	Screw
19	W10112927	Pad, Door Handle

FOR ORDERING INFORMATION REFER TO PARTS PRICE LIST

CONTROL PANEL PARTS

For Model: MHN30PDAWW0

(White)



Illus. No.	Part No.	DESCRIPTION
1	W10187276	Seal, Console
2	W10313105	Facia / Overlay
3	W10267645	Cover, Display
4	W10137457	Screw, 8-32 X 1/2
5	W10137458	Console, Outer
6	W10131113	Push Button
7	W10135389	Push Button & Switch Assembly
8	W10137426	Console, Inner

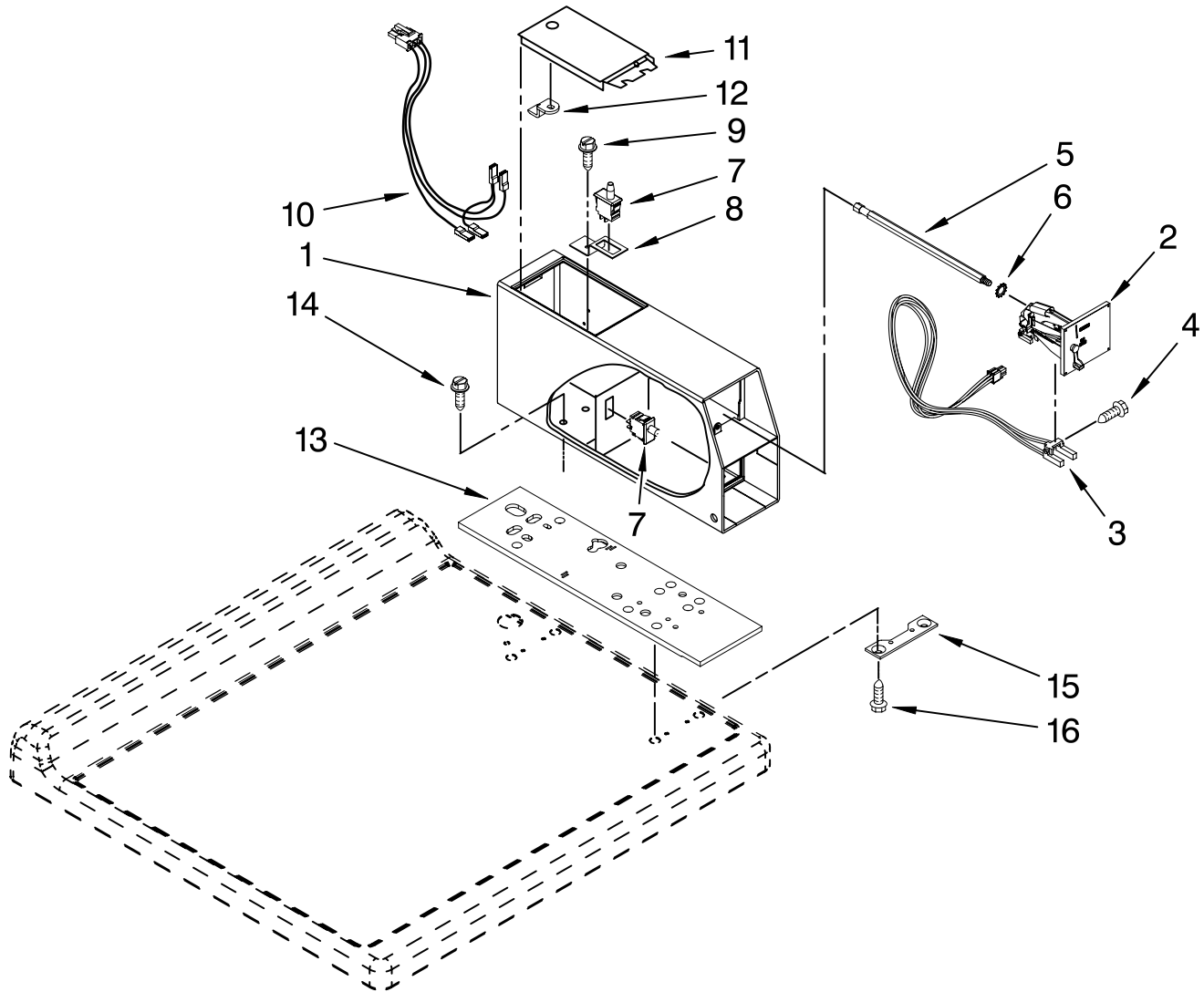
Illus. No.	Part No.	DESCRIPTION
9	W10298333	Harness, Wiring (Upper Main) Includes The Following Cable Sets: (Not Illustrated)
	W10179481	Coin Drop To CCU (4 Pole)
	W10232996	CCU To Cold Fill Valve (3 Pole)
	W10232997	CCU To Hot Fill Valve (2 Pole)
10	W10189313	Insert
11	W10294428	Bracket, Console
12	W10311189	User Interface

Illus. No.	Part No.	DESCRIPTION
13	489136	Screw, 3-24 X 3/8
14	W10155150	Harness, Test
15	W10139046	Nut 6-32
16	W10015090	Screw, 8-18 X 5/8
17	W10311060	Microcomputer, Machine Control
18	3429563	Cable Tie
19	W10299342	Harness, Wiring (Console UIC)
20	W10131839	Transformer 120 To 22.5 VAC
21	8540329	Screw, 8-18 X 7/16
22	9781235	Nut, U-Type
23	W10131119	Screw, 8-18 x 1/2
24	W10018050	CAPLUG

FOR ORDERING INFORMATION REFER TO PARTS PRICE LIST

METER CASE PARTS

For Model: MHN30PDAWW0
(White)



Illus. No.	Part No.	DESCRIPTION
1	W10171128	Meter Case
2	W10133242	Coin Drop Assembly
3	W10130178	Sensor Assembly, Coin Optic
4	W10142655	Screw, 6-20 x 1.00
5	W10137319	Bolt, Hex Bar
6	W10068270	Washer

Illus. No.	Part No.	DESCRIPTION
7	W10131838	Switch - Vault & Service Door
8	W10133508	Bracket, Service Switch
9	W10139210	Screw, 8-18 x 5/16
10	W10139456	Wire Harness, Sensor Switch
11	3351136	Service Door Assembly

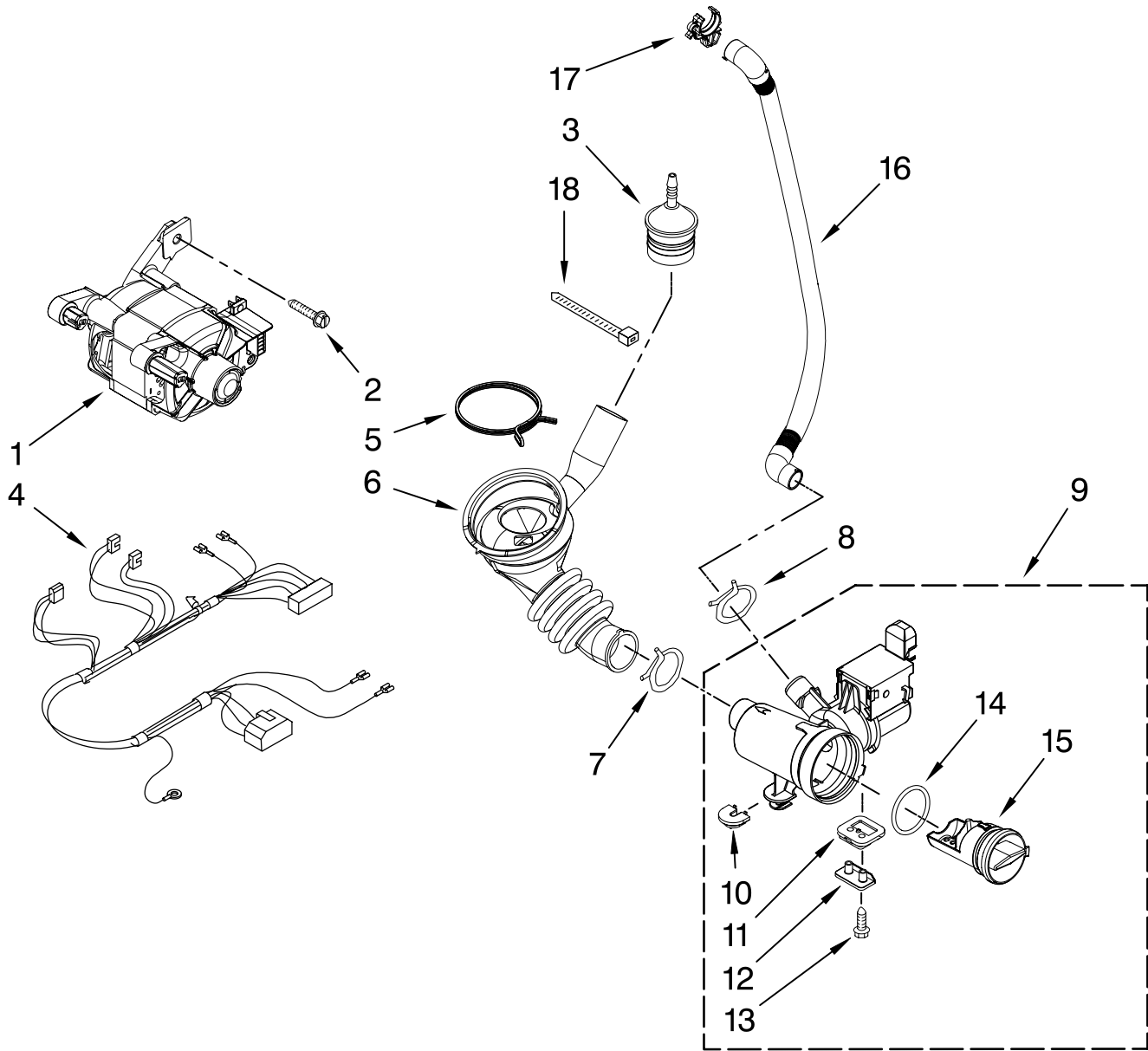
Illus. No.	Part No.	DESCRIPTION
12	W10145154	Cam - Lock
13	W10137448	Cushion, Meter Case
14	3349065	Screw, 5/16-24 x 1
15	3347825	Plate, Meter Case Mounting
16	98445	Screw, 10-16 x 3/4

FOR ORDERING INFORMATION REFER TO PARTS PRICE LIST

PUMP AND MOTOR PARTS

For Model: MHN30PDAWW0

(White)



Illus. No.	Part No.	DESCRIPTION
1	W10171927	Motor, Drive
2	8540134	Bolt, Motor
3	8540180	Air Trap (Includes Item 18)
4	W10201879	Harness, Motor
5	8181734	Clamp
6	8540012	Hose, Tub to Pump

Illus. No.	Part No.	DESCRIPTION
7	370448	Clamp, Hose
8	356138	Clamp, Drain Hose
9	W10130913	Pump (Complete)
10	W10034820	Foot, Rubber (Slider)
11	W10034830	Foot, Rubber (Lock)
12	8540033	Cap, Lock Foot
13	8533964	Screw, 10-16 x 1.25

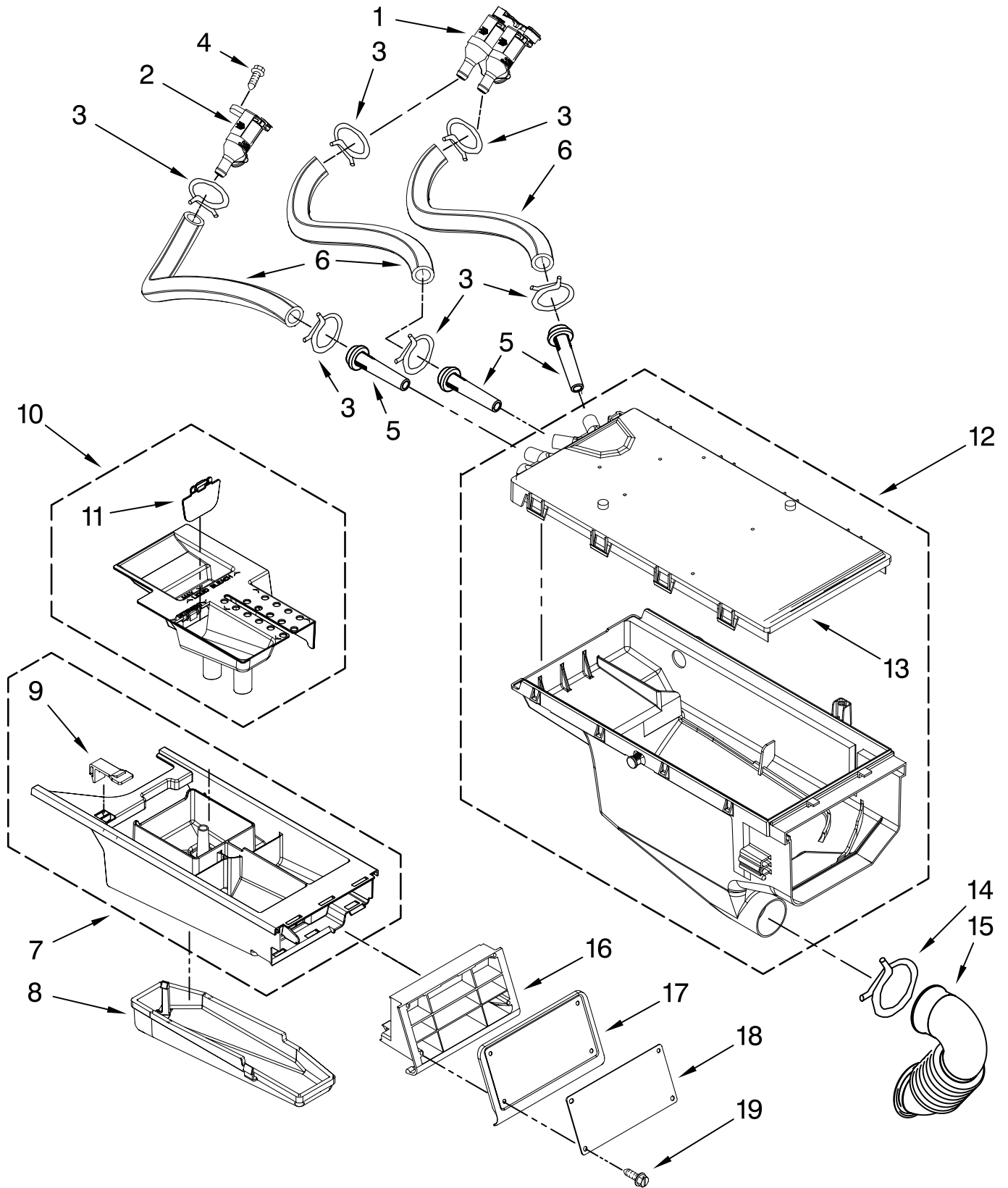
Illus. No.	Part No.	DESCRIPTION
14	8540025	Seal, Filter Cap
15	8540996	Filter Assembly (Includes Item 14)
16	W10272563	Hose, Drain- Inner
17	W10003290	Retainer, Drain Hose
18	2262071	Cable Tie

FOR ORDERING INFORMATION REFER TO PARTS PRICE LIST

DISPENSER PARTS

For Model: MHN30PDAWW0

(White)



FOR ORDERING INFORMATION REFER TO PARTS PRICE LIST

DISPENSER PARTS

For Model: MHN30PDAWW0
(White)

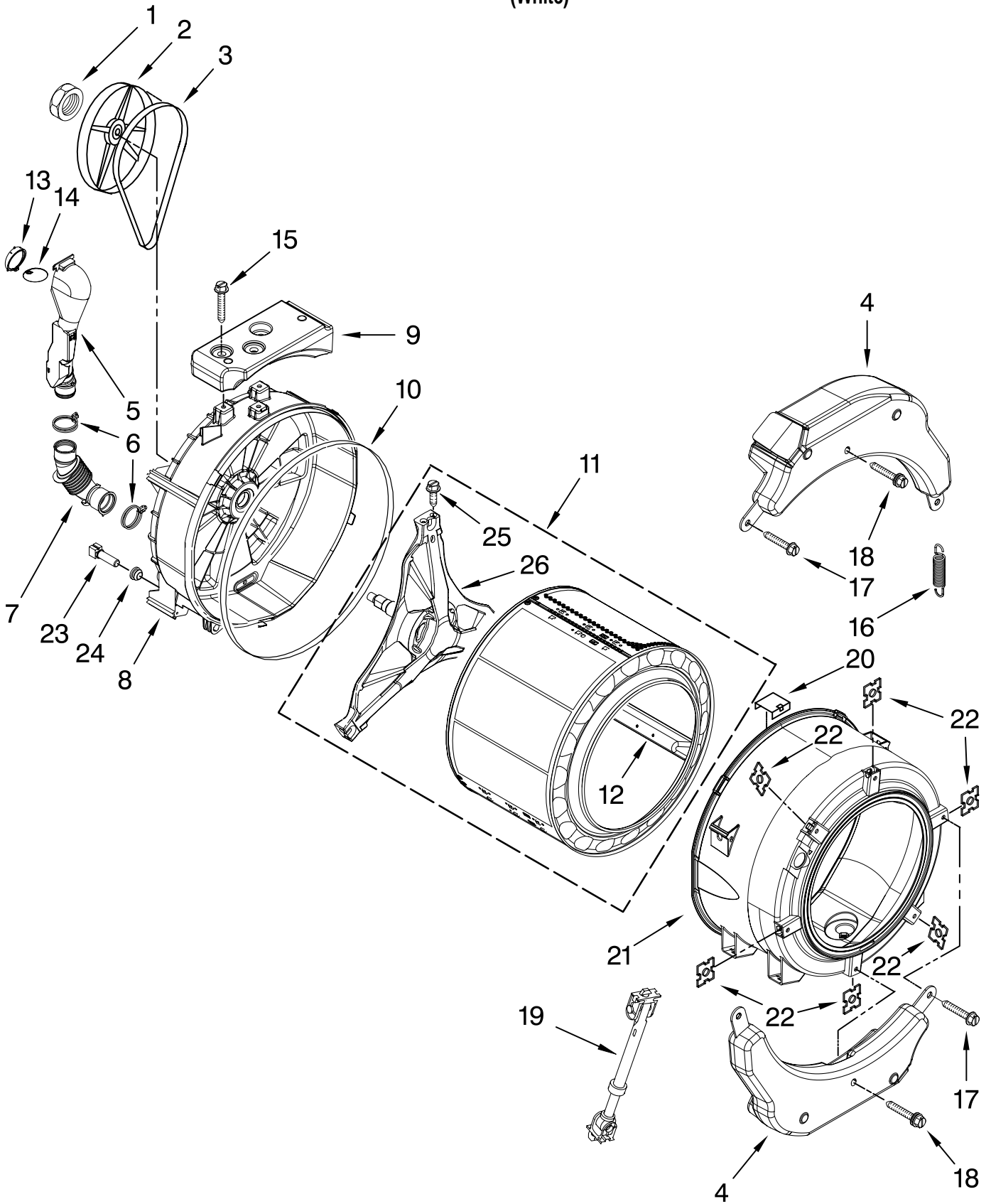
Illus. No.	Part No.	DESCRIPTION
1	W10212596	Valve, Water Inlet (Double)
2	W10212598	Valve, Water Inlet (Single)
3	370450	Clamp, Hose
4	8540282	Screw
5	8183181	Nozzle, Inlet
6	W10212611	Hose, Valve To Dispenser
7	W10366786	Drawer, Detergent
8	8540399	Cover, Detergent Drawer
9	W10303980	Tab, Drawer Release
10	W10275869	Siphon, Bleach/Softener
11	W10298953	Door, Living Hinge
12	W10212603	Dispenser, Outer Housing
13	W10212604	Plate, Distribution
14	8281276	Clamp, Hose
15	8540063	Hose, Dispenser To Tub
16	W10137432	Handle, Drawer
17	W10137460	Cover, Handle
18	W10137430	Facia/Overlay, Drawer
19	W10137456	Screw, 8-18 x 1/2

FOR ORDERING INFORMATION REFER TO PARTS PRICE LIST

TUB AND BASKET PARTS

For Model: MHN30PDAWW0

(White)



FOR ORDERING INFORMATION REFER TO PARTS PRICE LIST

TUB AND BASKET PARTS

For Model: MHN30PDAWW0

(White)

Illus. No.	Part No.	DESCRIPTION
1	8533999	Nut, Pulley
2	8540088C	Pulley
3	W10260319	Belt, Drive
4	W10223198	Counterweight, Front
5	W10142720	Pipe, Ventilation
6	8540010	Clamp, Vent Hose
7	8540019	Hose, Exhaust
8	W10303574	Tub, Rear (Includes Items 10 & 22)
9	W10200747	Counterweight, Rear
10	8540090	Gasket, Tub
11	W10303571	Basket, Complete
12	W10118982	Baffle, Tub
13	W10142721	Connector – Ventilation
14	W10142722	Flap – Ventilation
15	W10246531	Screw, Rear Counterweight
16	W10010360	Spring, Suspension
17	W10094780	Bolt, Counterweight Mtg.
18	W10259288	Bolt Assembly, Counterweight Center Hole
19	W10015830	Shock Absorber
20	8540092	Clamp, Tub
21	W10266965	Tub, Front (Includes Items 10 & 22)
22	8540072	Nut, Push-In
23	W10176659	Negative Thermistor Control
24	8540766	Seal, Rubber
25	8540382	Screw
26	8540342	Crosspiece Assembly

FOR ORDERING INFORMATION REFER TO PARTS PRICE LIST

OPTIONAL PARTS (NOT INCLUDED)

For Model: MHN30PDAWW0

(White)

Illus. No.	Part No.	DESCRIPTION
-------------------	-----------------	--------------------

PAINT, TOUCH-UP (1/2oz.)

72017 White

PAINT, PRESSURIZED SPRAY (12 oz.)

350938 Primer, Gray

350930 White

PAINT, BULK (1 qt.)

799344 White (Uncut)

ACCESSORY PARTS

285863 Drain Extension

W10135699 Affresh

Odor Remover

W10103350 Pedestal,

Commercial

FOR ORDERING INFORMATION REFER TO PARTS PRICE LIST