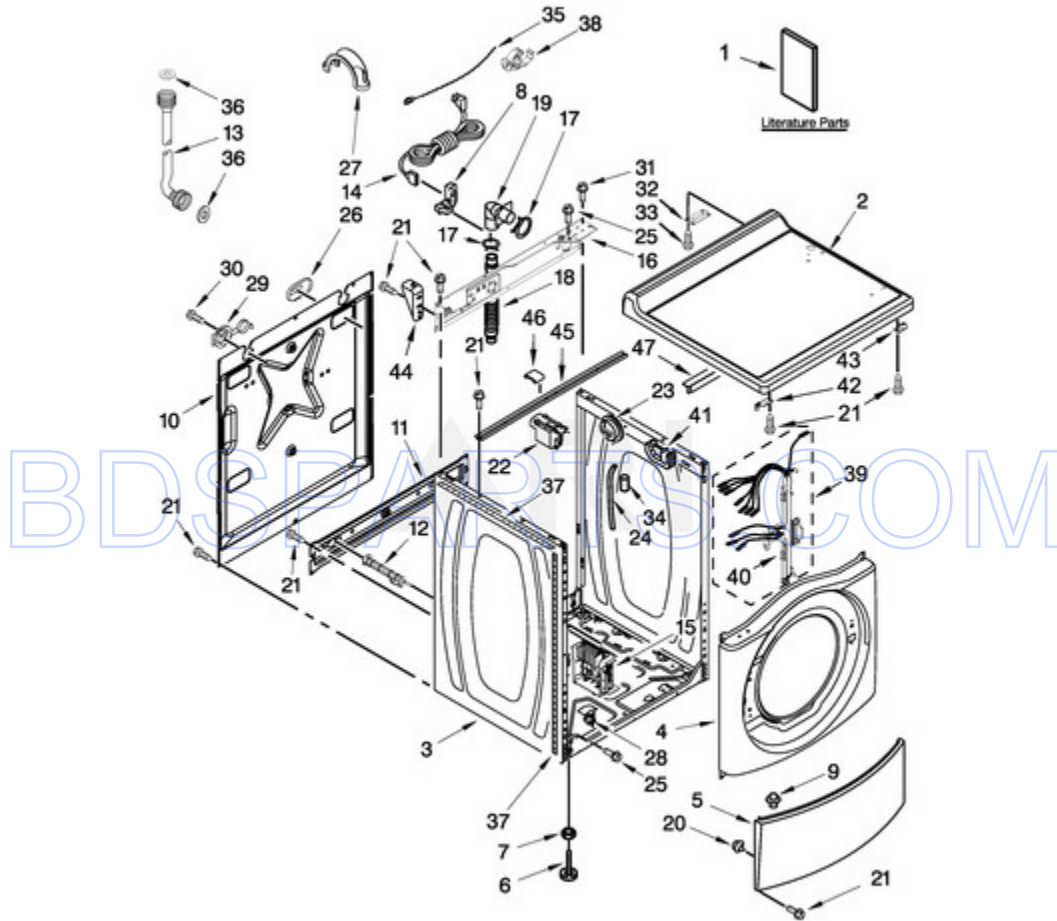


MHN33PDCWW1 - 02 - TOP AND CABINET PARTS

TOP AND CABINET PARTS



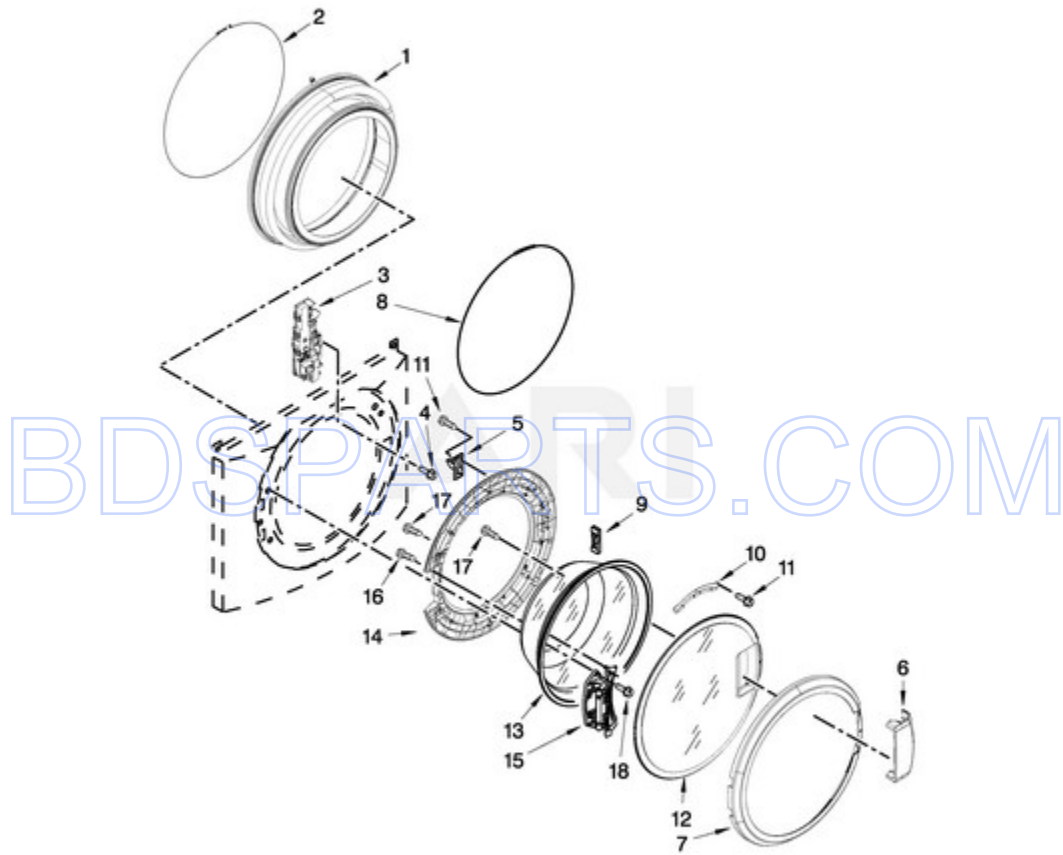
Ref #	Part #	Description	Qty	Context	Note	MSRP
32	8565018	HINGE & PIN ASSEMBLY (WHITE)				
42	W10137445	BRACKET - TOP PANEL, LEFT				
43	W10137444	BRACKET - TOP PANEL, RIGHT				
44	W10137398	STOP, TOP PANEL				
33	342055	SCREW				
NI	N/P	FOLLOWING PARTS NOT ILLUSTRATED				
4	W10306505	PANEL, FRONT (WHITE)				
6	W10245373	FOOT, LEVELING				
7	3359452	NUT, HEX				
8	W10110676	STRAI RELIEF, POWER CORD				
9	8518891	RIVET				
11	W10189659	BRACE, TRANSPORT				
12	W10251449	BOLT, SHIPPING (SET OF 4)				
20	238614	BUMPER				
21	W10015090	SCREW				
24	8540294	HOSE, PRESSURE SWITCH				
25	8540479	SCREW, GROUNDING				
26	8540268	COVER, TRANSPORT				
29	8540728	SLEEVE, CORD SUPPORT				
30	8540727	SCREW				
31	8540329	SCREW				
34	2161302	SLEEVE				
35	3347868	TIE, CABLE (BEADED)				
41	8540643	BRACKET, SPRING				
45	8540721	BRACE, TOP				
46	8283273	DAMPER, BRACE				
17	356138	CLAMP, HOSE				
10	W10258342	PANEL, REAR				
16	W10244560	BRACE, REAR				
18	W10106460	HOSE, DRAIN OUTER				
19	W10003260	CONNECTOR, HOSE OUTLET				
27	8577378	U-BEND, DRAIN HOSE				
40	W10168546	HARNES CHANNEL, SIDE FRONT				
36	W10242307	WASHER, HOSE				
2	W10137411	TOP (WHITE)				
5	8540664	PANEL, TOE (WHITE)				
14	W10205500	CORD, POWER				
15	W10384849	UNIT, MOTOR CONTROL				
22	W10339736	FILTER, INTERFERENCE				

<b>Ref #</b>	<b>Part #</b>	<b>Description</b>	<b>Qty</b>	<b>Context</b>	<b>Note</b>	<b>MSRP</b>
28	W10085220	MICROSWITCH				
47	W10342663	ANGLE, SUPPORT TOP				
37	W10693220	SEAL, FOAM				
13	W10458855	HOSE, WATER INLET (HOT)				
13A	W10458856	HOSE, WATER INLET (COLD)				
3	W10198145	CABINET (WHITE)				
23	W10448876	SENSOR, PRESSURE				
38	W10190263	CLIP, HARNESS				
39	W10664387	HARNESS, WIRING (LOWER MAIN)				
NI	W10689497	CCU TO MCU - POWER (2 POLE)				
NI	W10664395	CCU TO MCU - SERIAL COMMUNICATION (3 POLE)				
NI	W10689498	CCU TO DOOR LOCK - POWER				
1	W11033207	INSTALLATION INSTRUCTIONS				
1A	W11033140	TECH SHEET (ENGLISH)				
1B	W11033186	TECH SHEET (FRENCH)				

BDS PARTS.COM

MHN33PDCWW1 - 03 - DOOR PARTS

DOOR PARTS



11/04/2016

4

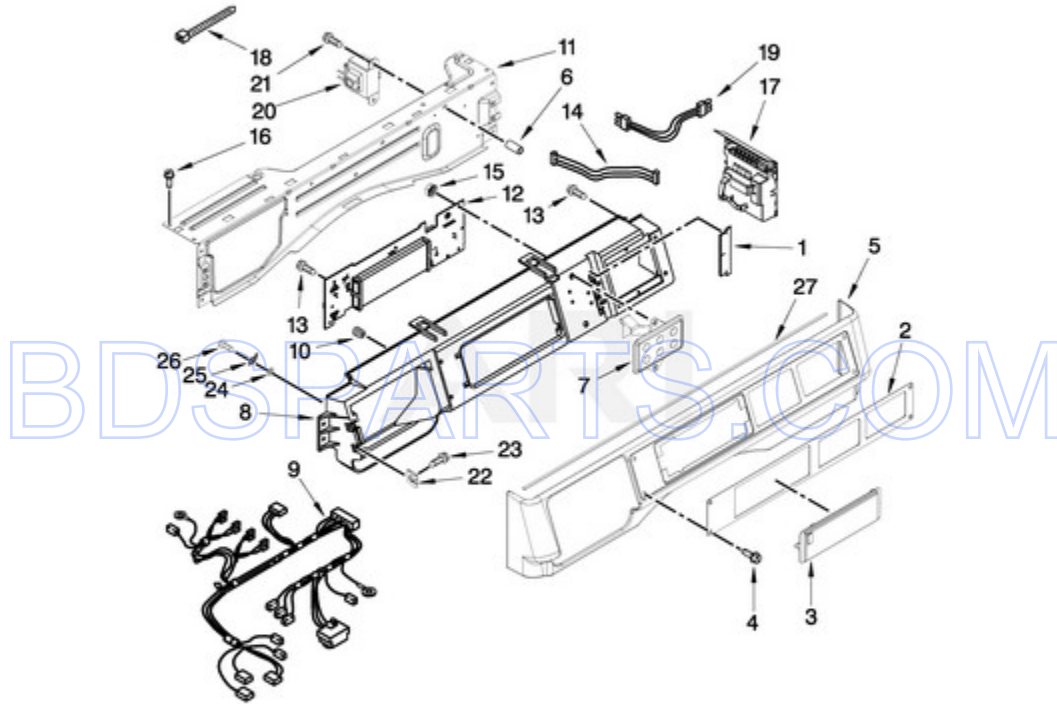
Part No. W11033205 Rev. A

Page design © 2004-2017 by ARI Network Services, Inc.

Ref #	Part #	Description	Qty	Context	Note	MSRP
18	W10015090	SCREW				
2	8540108	CLAMP, BELLOW TO TUB				
4	8540725	SCREW				
5	8540221	HOOK, DOOR				
8	W10217563	CLAMP, BELLOW TO FRONT PANEL				
9	8540115	CLAMP, SUPPORT				
10	8540114	CLAMP, GLASS				
11	8540513	SCREW				
16	8540284	SCREW				
17	8540282	SCREW				
3	W10375379	LOCK, DOOR				
7	W10198440	TRIM RING, OUTER DOOR				
13	W10388315	GLASS, DOOR				
14	W10198442	FRAME, DOOR BACK SUPPORT				
15	W10198417	HINGE, DOOR				
6	W10112925	HANDLE, DOOR				
12	W10137404	FRAME, DOOR FRONT ASSEMBLY				
1	W10660257	BELLOW				

MHN33PDCWW1 - 04 - CONTROL PANEL PARTS

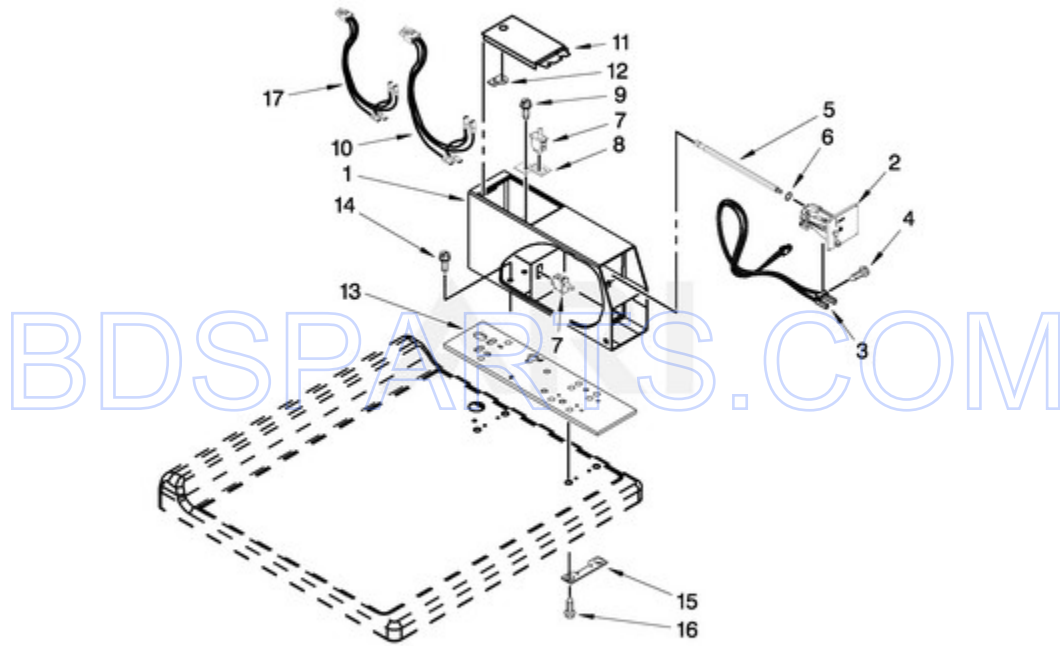
CONTROL PANEL PARTS



Ref #	Part #	Description	Qty	Context	Note	MSRP
13	489136	SCREW				
15	W10139046	NUT				
4	W10137457	SCREW				
24	W10189075	WASHER, BRASS				
25	3373818	TAB, GROUNDING				
10	W10189313	INSERT				
26	488234	SCREW				
1	W10187276	SEAL, CONSOLE				
3	W10267645	COVER, DISPLAY				
NI	N/P	FOLLOWING PARTS NOT ILLUSTRATED				
16	W10015090	SCREW				
21	8540329	SCREW				
8	W10137426	CONSOLE, INNER				
14	W10155150	HARNESS, TEST				
22	9781235	NUT, "U"				
23	W10131119	SCREW M4X13				
19	W10330606	HARNESS, WIRING (CONSOLE UIC)				
6	W10018050	CAP PLUG				
20	W10131839	TRANSFORMER				
27	W10157932	SEAL, FOAM				
5	W10779084	CONSOLE, OUTER				
7	W10779139	SWITCH, MEMBRANE & BACKER PLATE				
NI	W10689495	CCU TO COLD FILL VALVE (4 POLE)				
NI	W10689496	CCU TO HOT FILL VALVE (2 POLE)				
11	W10846488	BRACKET, CONSOLE				
18	4454842	TIE, CABLE				
2	W10801803	FASCIA / OVERLAY				
9	W10664390	HARNESS, WIRING (UPPER MAIN)				
NI	W10689490	CCU TO COIN DROP (4 POLE)				
17	W11033881	CENTRAL CONTROL UNIT (CCU)				
12	W11033882	USER INTERFACE				

MHN33PDCWW1 - 05 - METER CASE PARTS

METER CASE PARTS

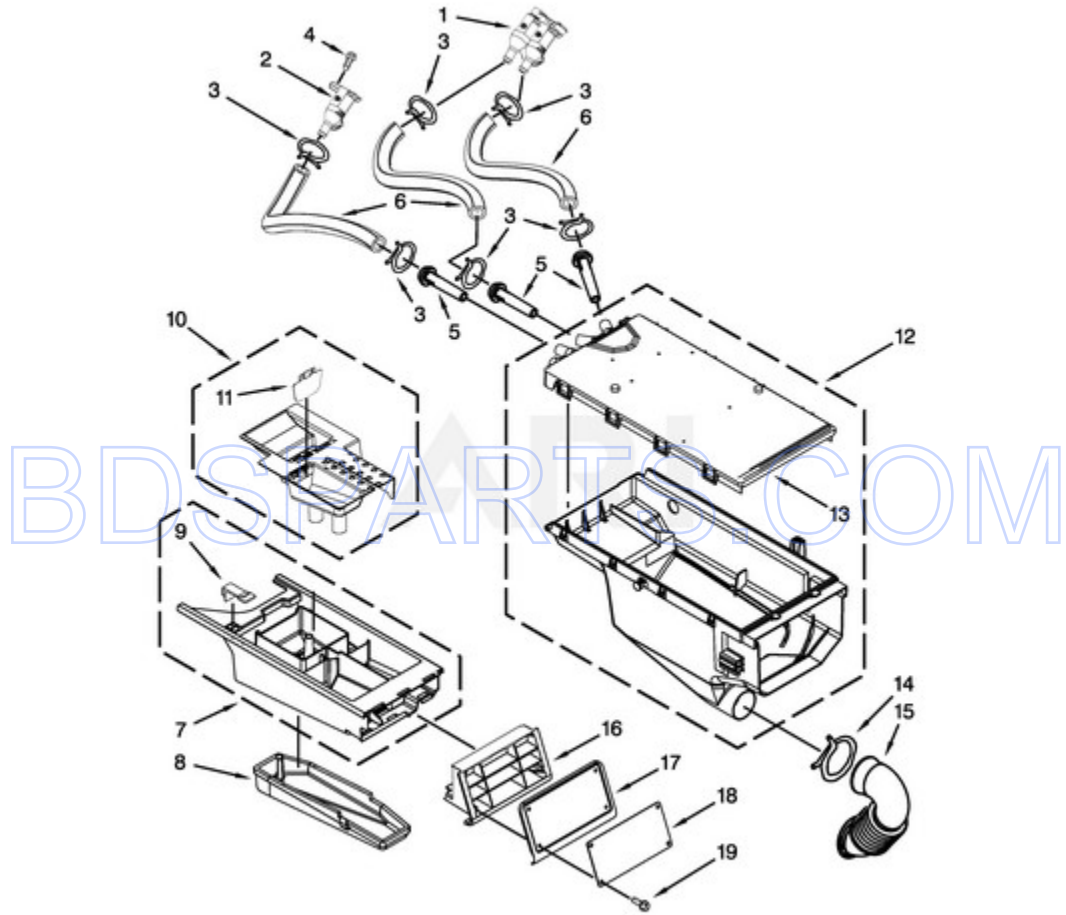




Ref #	Part #	Description	Qty	Context	Note	MSRP
15	3347825	PLATE, MOUNTING				
16	98445	SCREW				
14	3349065	BOLT				
11	3351136	ASSEMBLY, SERVICE DOOR				
7	W10131838	SWITCH, VAULT SERVICE DOOR				
8	W10133508	BRACKET, SERVICE SWITCH				
9	W10139210	SCREW				
10	W10211244	HARNESS, WIRE (SERVICE SWITCH)				
13	W10137448	CUSHION, METER CASE				
17	W10139456	HARNESS, WIRE SENSOR SWITCH)				
1	W10171128	METER CASE				
3	W10247389	SENSOR ASSEMBLY, COIN OPTIC (WHITE)				
12	W10145154	CAM, COMMERCIAL LOCK				
2	W10133242	ASSEMBLY, SINGLE COIN DROP				
4	W10142655	SCREW				
5	W10137319	BOLT, HEX BAR				
6	W10068270	WASHER, LOCK				

MHN33PDCWW1 - 06 - DISPENSER PARTS

DISPENSER PARTS



11/04/2016

10

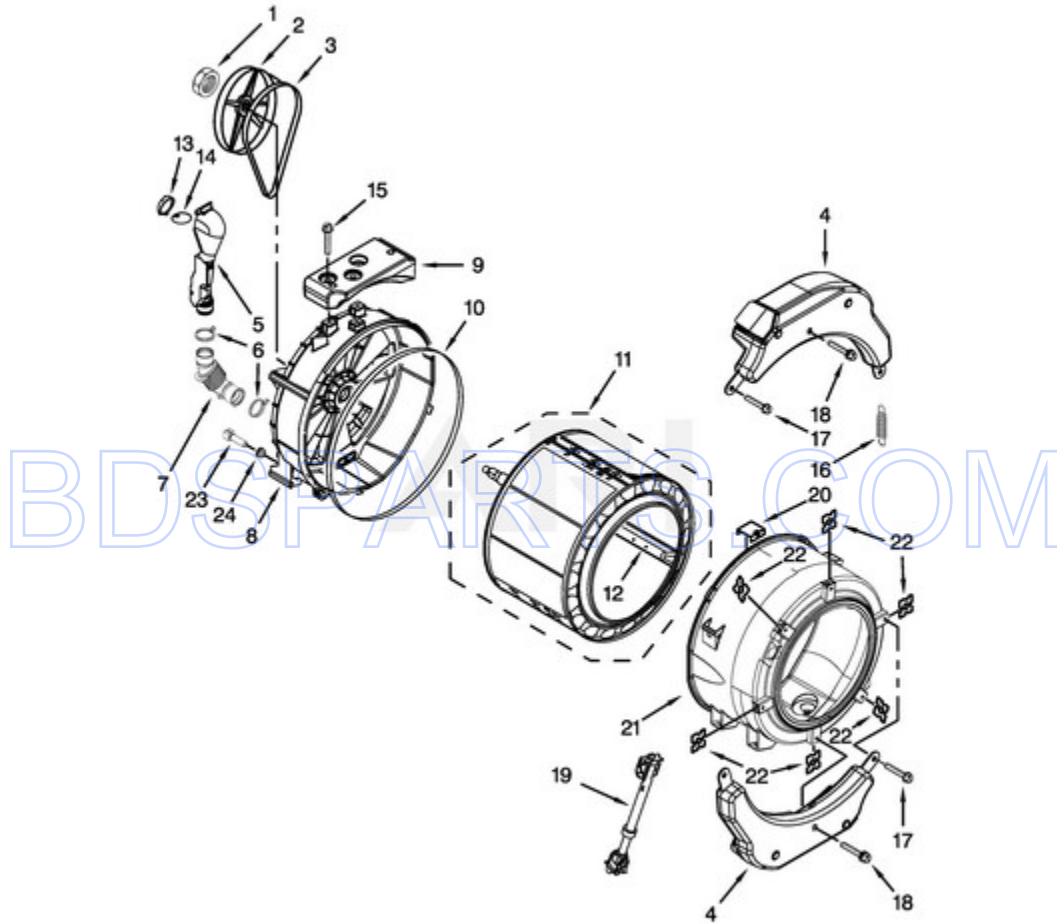
Part No. W11033205 Rev. A

Page design © 2004-2017 by ARI Network Services, Inc.

Ref #	Part #	Description	Qty	Context	Note	MSRP
4	8540282	SCREW				
3	W10096852	CLAMP, HOSE				
5	8183181	NOZZLE, INLET				
15	8540063	HOSE, DISPENSER TO TUB				
19	W10137456	SCREW				
8	8540399	COVER, DETERGENT DRAWER				
17	W10137460	COVER, HANDLE				
6	W10212611	HOSE, VALVE TO DISPENSER				
7	W10376660	DRAWER, DETERGENT				
9	W10198458	TAB, DRAWER RELEASE				
11	W10298953	DOOR, LIVING HINGE				
12	W10212603	DISPENSER, OUTER HOUSING				
13	W10212604	PLATE, DISTRIBUTION				
16	W10137432	HANDLE, DRAWER				
1	W10212596	VALVE, WATER INLET (DOUBLE)				
2	W10212598	VALVE, WATER INLET (SINGLE)				
14	8281276	CLAMP, HOSE				
10	W10679677	SIPHON, BLEACH/SOFTENER				
18	W10804029	DISPENSER, FASCIA				

MHN33PDCWW1 - 07 - TUB AND BASKET PARTS

TUB AND BASKET PARTS



11/04/2016

12

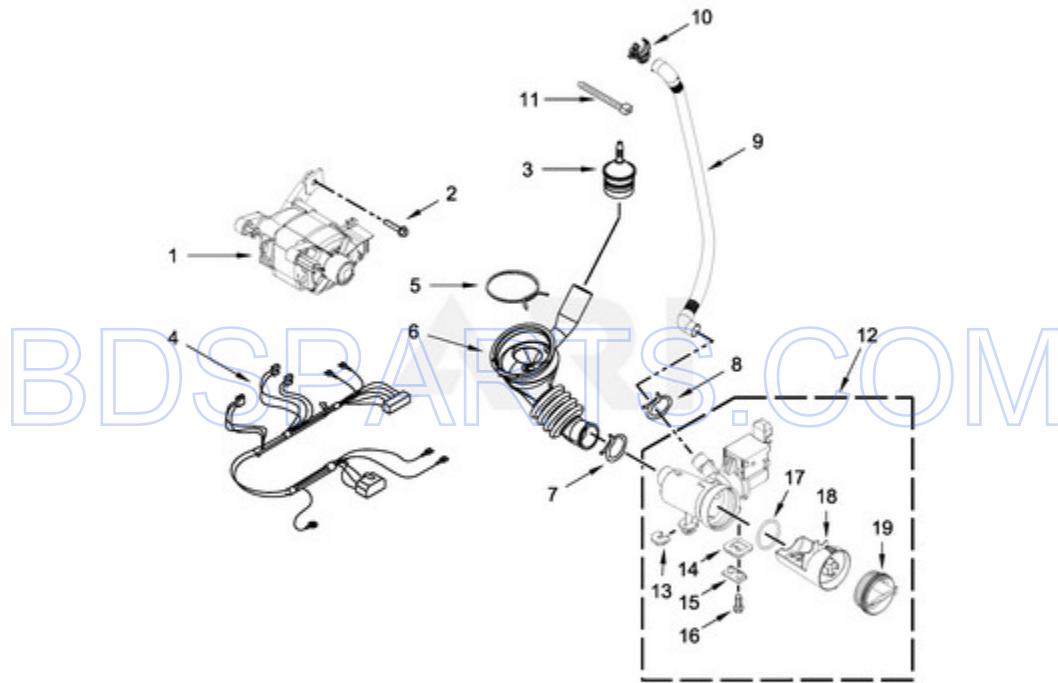
Part No. W11033205 Rev. A

Page design © 2004-2017 by ARI Network Services, Inc.

<b>Ref #</b>	<b>Part #</b>	<b>Description</b>	<b>Qty</b>	<b>Context</b>	<b>Note</b>	<b>MSRP</b>
1	8533999	NUT, PULLEY				
3	W10260319	BELT, DRIVE				
5	W10142720	PIPE, VENTILATION				
7	8540019	HOSE, EXHAUST				
10	8540090	GASKET, TUB				
12	W10118982	BAFFLE, TUB				
13	W10142721	VENTILATION, CONNECTOR				
14	W10142722	FLAP, VENTILATION				
16	W10010360	SPRING, SUSPENSION				
17	W10094780	SCREW				
20	8540092	CLAMP, TUB				
22	8540072	NUT, PUSH-IN				
4	W10223198	COUNTERWEIGHT, FRONT				
9	W10200747	COUNTERWEIGHT, REAR				
15	W10246531	SCREW, REAR COUNTERWEIGHT				
18	W10259288	BOLT ASSEMBLY, COUNTERWEIGHT CENTER HOLE				
19	W10015830	ABSORBER, SHOCK				
21	W10266965	TUB, FRONT				
23	W10176659	CONTROL, NEGATIVE THERMISTOR				
6	8540010	CLAMP, VENT HOSE				
2	8540088	PULLEY				
11	W10198146	BASKET, COMPLETE				
24	8540228	SEAL, RUBBER				
8	W10198137	TUB, REAR				

MHN33PDCWW1 - 08 - PUMP AND MOTOR PARTS

**PUMP AND MOTOR PARTS**



Ref #	Part #	Description	Qty	Context	Note	MSRP
2	8540134	BOLT, MOTOR				
6	8540012	HOSE, TUB TO PUMP				
8	356138	CLAMP, HOSE				
1	W10171927	MOTOR, DRIVE				
9	W10272563	HOSE, DRAIN INNER				
10	W10003290	RETAINER, DRAIN HOSE				
3	W10405608	TRAP, AIR				
4	W10201879	HARNESS, MOTOR				
5	8181734	CLAMP, HOSE				
7	370448	CLAMP, HOSE				
13	W10034820	FOOT, RUBBER (SLIDER)				
15	8540033	CAP, LOCK FOOT				
16	8533964	SCREW, VENTILATION				
11	4454842	TIE, CABLE				
12	W10730972	PUMP (COMPLETE)				
14	W10728444	FOOT, RUBBER (LOCK)				
17	W10391451	SEAL, FILTER CAP				
18	W10391445	FILTER, PUMP				
19	W10391446	CAP, FILTER				

BBS PARTS.COM