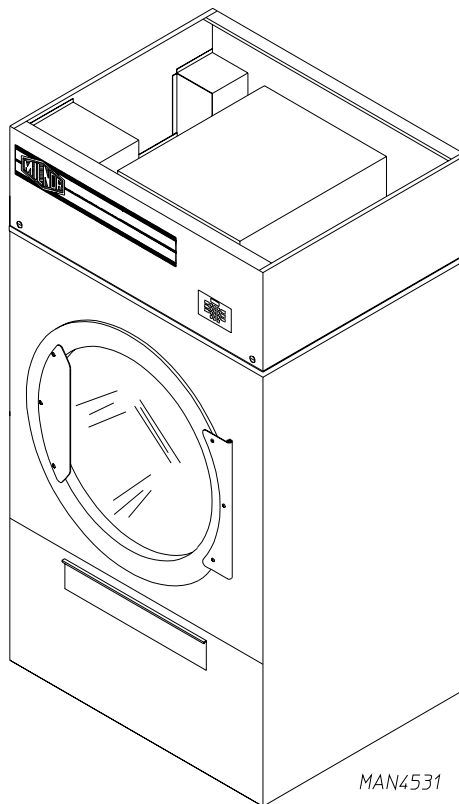




ML-122



Parts Manual

American Dryer Corporation
88 Currant Road
Fall River, MA 02720-4781
Telephone: (508) 678-9000 / Fax: (508) 678-9447
E-mail: techsupport@amdry.com

Retain This Manual In A Safe Place For Future Reference

American Dryer Corporation products embody advanced concepts in engineering, design, and safety. If this product is properly maintained, it will provide many years of safe, efficient, and trouble-free operation.

ONLY qualified technicians should service this equipment.

OBSERVE ALL SAFETY PRECAUTIONS displayed on the equipment or specified in the installation manual included with the dryer.

The following “**FOR YOUR SAFETY**” caution **must be** posted near the dryer in a prominent location.

FOR YOUR SAFETY

Do not store or use gasoline or other flammable vapors or liquids in the vicinity of this or any other appliance.

POUR VOTRE SÉCURITÉ

Ne pas entreposer ni utiliser d'essence ni d'autres vapeurs ou liquides inflammables dans le voisinage de cet appareil ou de tout autre appareil.

We have tried to make this manual as complete as possible and hope you will find it useful. **ADC** reserves the right to make changes from time to time, without notice or obligation, in prices, specifications, colors, and material, and to change or discontinue models.

Important

For your convenience, log the following information:

DATE OF PURCHASE _____ **MODEL NO.** ML-122

RESELLER'S NAME _____

Serial Number(s) _____

Replacement parts can be obtained from your reseller or the **ADC** factory. When ordering replacement parts from the factory, you can FAX your order to **ADC** at (508) 678-9447 or telephone your order directly to the **ADC** Parts Department at (508) 678-9000. Please specify the dryer **model number** and **serial number** in addition to the **description** and **part number**, so that your order is processed accurately and promptly.

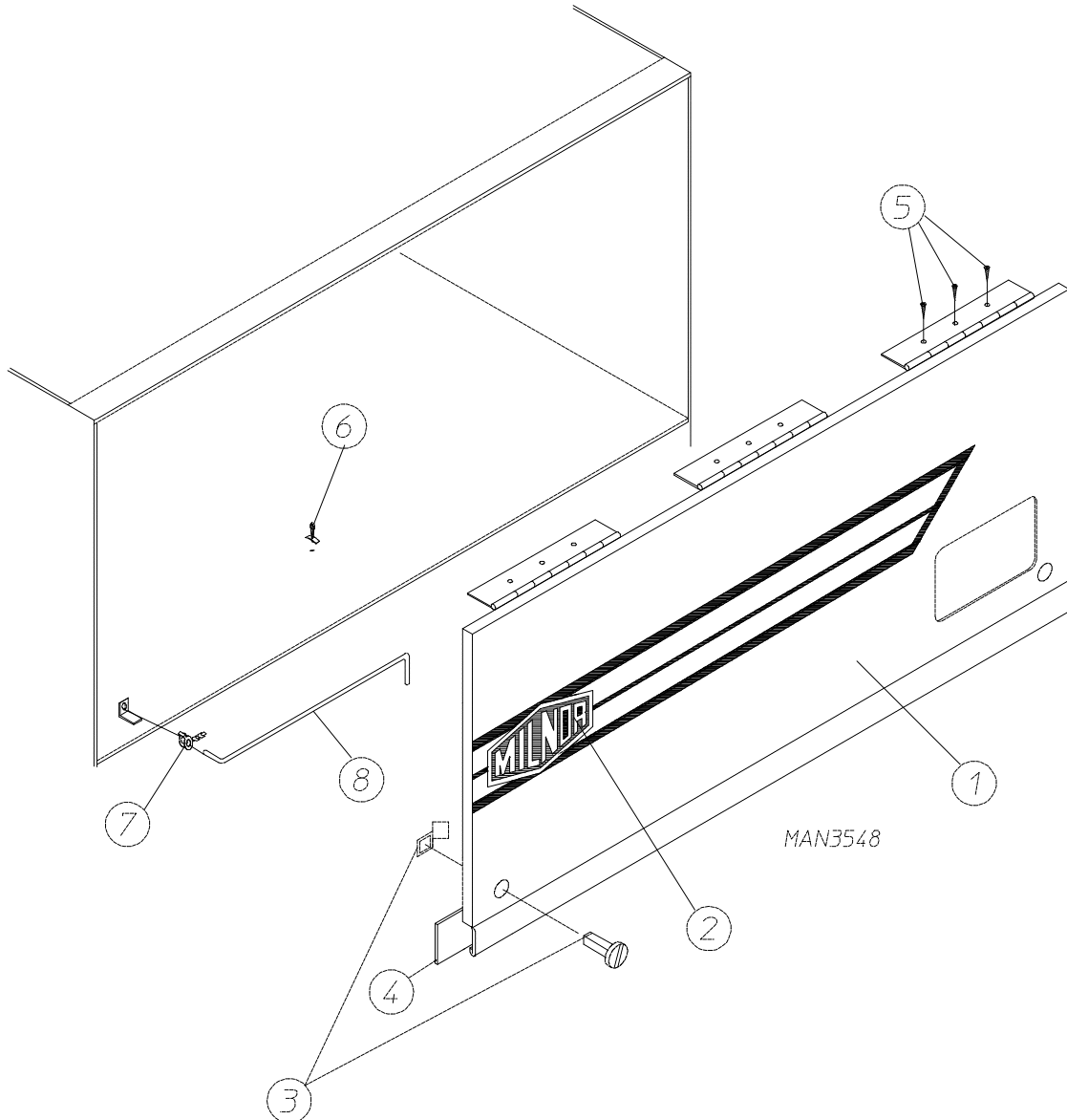
The illustrations on the following pages may not depict your particular dryer exactly. The illustrations are a composite of the various dryer models. Be sure to check the descriptions of the parts thoroughly before ordering.

“IMPORTANT NOTE TO PURCHASER”

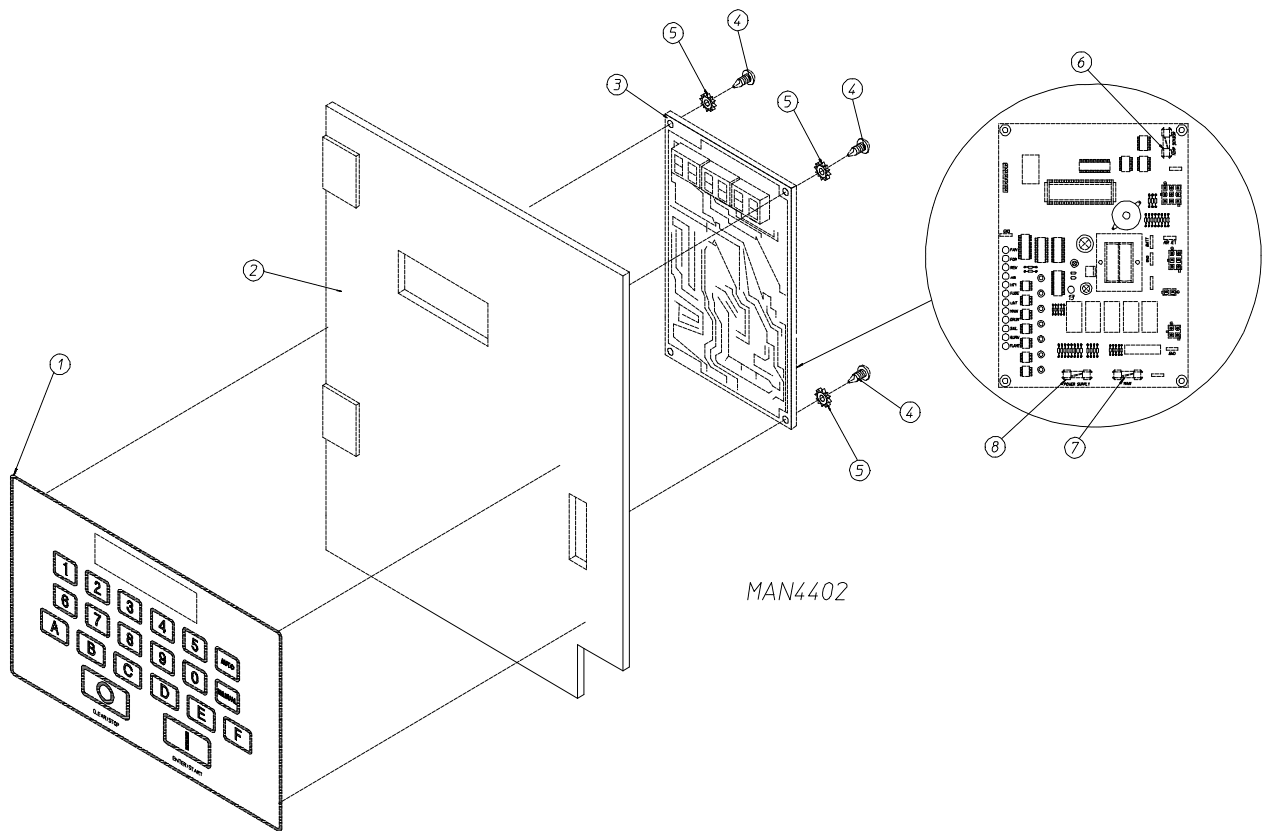
Information **must be** obtained from your local gas supplier on the instructions to be followed if the user smells gas. These instructions **must be** posted in a prominent location near the dryer.

Table of Contents

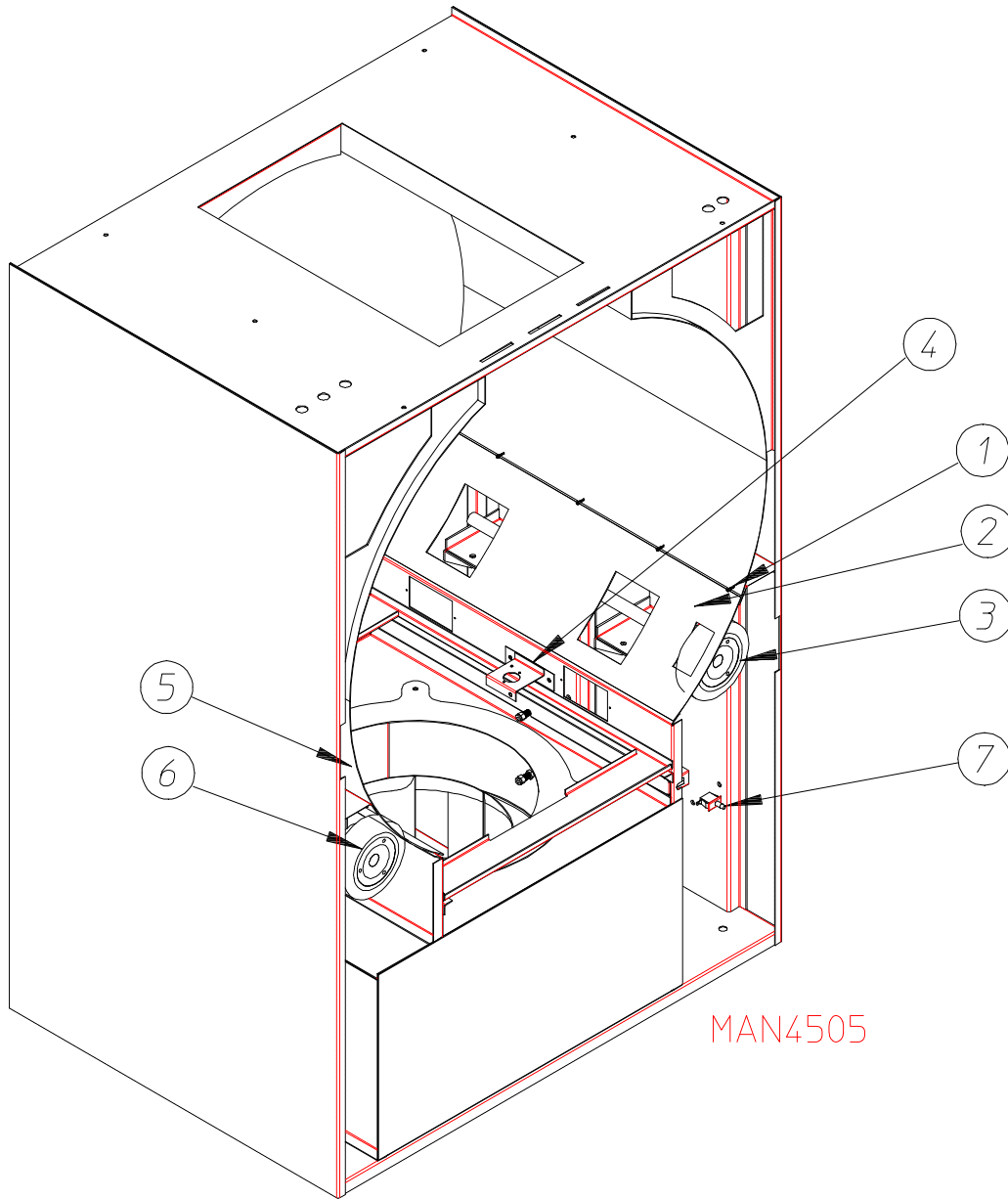
Control Door Assembly	2
Phase 6 Microprocessor Panel Assembly	3
Wrapper Assembly	4
Front Panel Assembly	5
Front Panel Assembly Polymark Option	6
CRS Door Assembly	7
Main Door Switch Assembly	8
Lint Screen Assembly	9
Microprocessor Temperature Sensor Bracket	10
Motorized Impellor Assembly	11
Tumbler (Basket) Assembly	12
Tumbler (Basket) Bearing Assembly	13
Drive Wheel Assembly	14
Idler Wheel Assembly	15
Drive Motor Assembly	16
Direct Spark Ignition (DSI) Burner Assembly	17, 18
Hot Surface Ignition (HSI) Burner Assembly	19, 20
Sail Switch Assembly	21
Pneumatic Valve Assembly	22
Steam Damper Assembly	23, 24
Reversing Relay Panel Assembly For 60 Hz Model ONLY	25, 26
Reversing Relay Panel Assembly For 50 Hz Model ONLY	27, 28
Polymark Reversing Relay Panel Assembly For 50 Hz Model ONLY	29, 30
Air Jet Assembly	31
Exhaust Adapter	32



<u>Illus. No.</u>	<u>Part No.</u>	<u>Qty.</u>	<u>Description</u>
1	882277	1	White Control Door Assembly Gas Models ONLY
	882278	1	Cornflower Blue Control Door Assembly Gas Models ONLY
	882279	1	Coral Blue Control Door Assembly Gas Models ONLY
	882280	1	White Control Door Assembly Steam Models ONLY
	882281	1	Cornflower Blue Control Door Assembly Steam Models ONLY
	882282	1	Coral Blue Control Door Assembly Steam Models ONLY
2	112368	1	Logo ONLY
3	882541	2	Spring Turn Latch (2-piece)
4	117603	5	Noise Suppressor Tape (sold by the foot)
5	150309	9	#10-16 x 1/2" Hex Head TEK Crimpite Screw
6	102603	1	Control Door Rod Catch
7	102601	1	Control Door Retainer Clip
8	102505	1	Control Door Support Rod

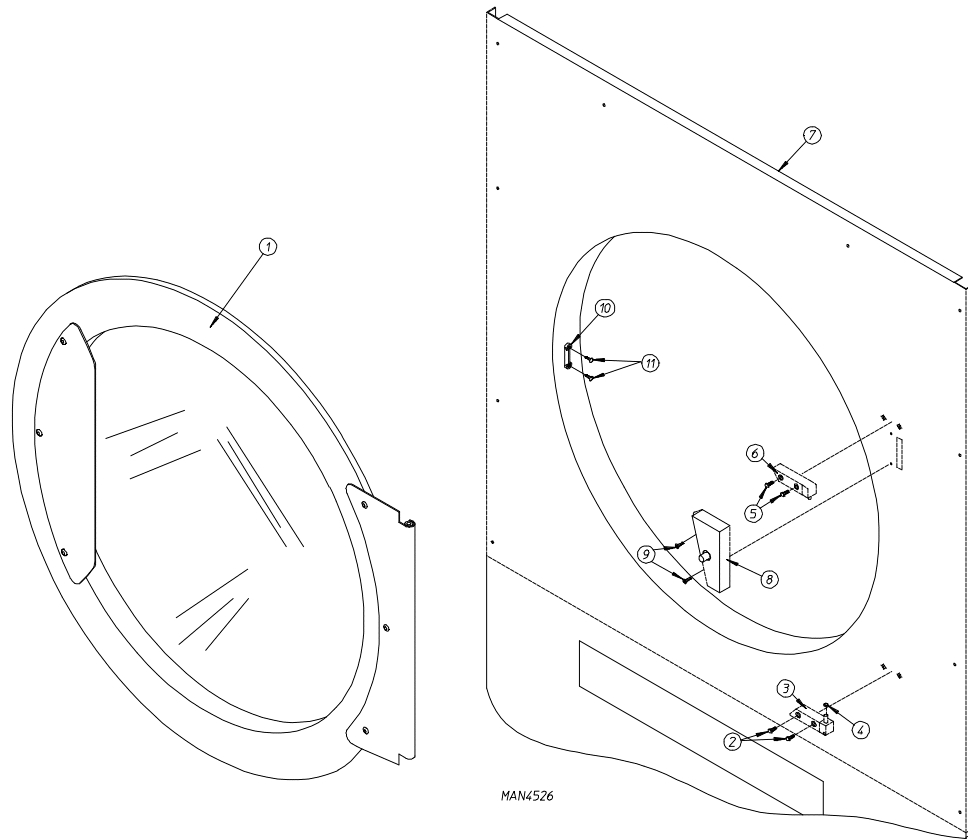


<u>Illus. No.</u>	<u>Part No.</u>	<u>Qty.</u>	<u>Description</u>
1	112537	1	Phase 6 OPL Keyboard
	112276	1	OPL Stick-On Labels (English Only) ... Not Illustrated
	112275	1	OPL Stick-On Labels (Spanish, Italian, and Hebrew) ... Not Illustrated
	112277	1	3 Language OPL Stick-On Labels (English, Spanish, and Hebrew) ... Not Illustrated
	112278	1	5 Language OPL Stick-On Labels (Italian, Dutch, French, German, and Chinese) ... Not Illustrated
2	842878	1	Phase 6 Microprocessor Controller (computer) Panel Only
3	137124	1	Phase 6 Reversing Microprocessor Controller (computer) with Air Jet
4	150005	3	#6-32 x 3/4" Phillips Round Head Machine Screw
5	153010	3	#6 Star Washer
6	136048	1	1/8-Amp (slo blo) Fuse
7	136017	1	3.5-Amp (fast acting) Fuse
8	136019	1	1-Amp (fast acting) Fuse

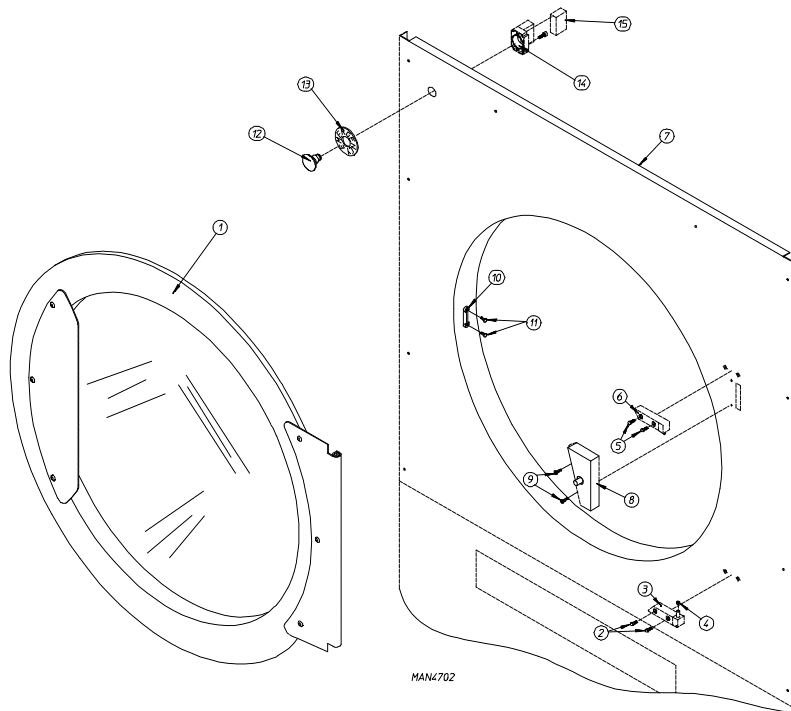


MAN4505

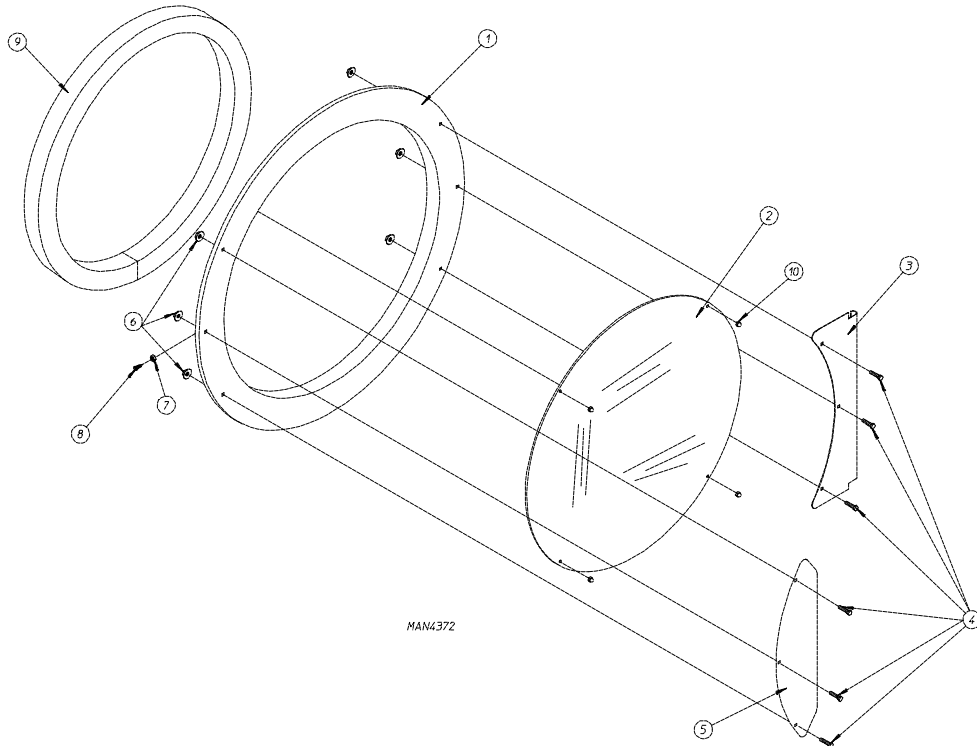
<u>Illus. No.</u>	<u>Part No.</u>	<u>Qty.</u>	<u>Description</u>
1	150309	20	#10-16 x 1/2" Hex Head TEK Crimptite Screw
2	859367	1	Bottom Right Wrapper
3	-----	1	Drive Shaft Assembly (refer to Drive Wheel Assembly on page 14)
4	-----	1	Temperature Sensor Bracket (refer to Microprocessor Temperature Sensor Bracket on page 10)
5	859368	1	Bottom Left Wrapper
6	-----	1	Idler Shaft Assembly (refer to Idler Wheel Assembly on page 15)
7	122116	1	24 VAC Lint Door Switch



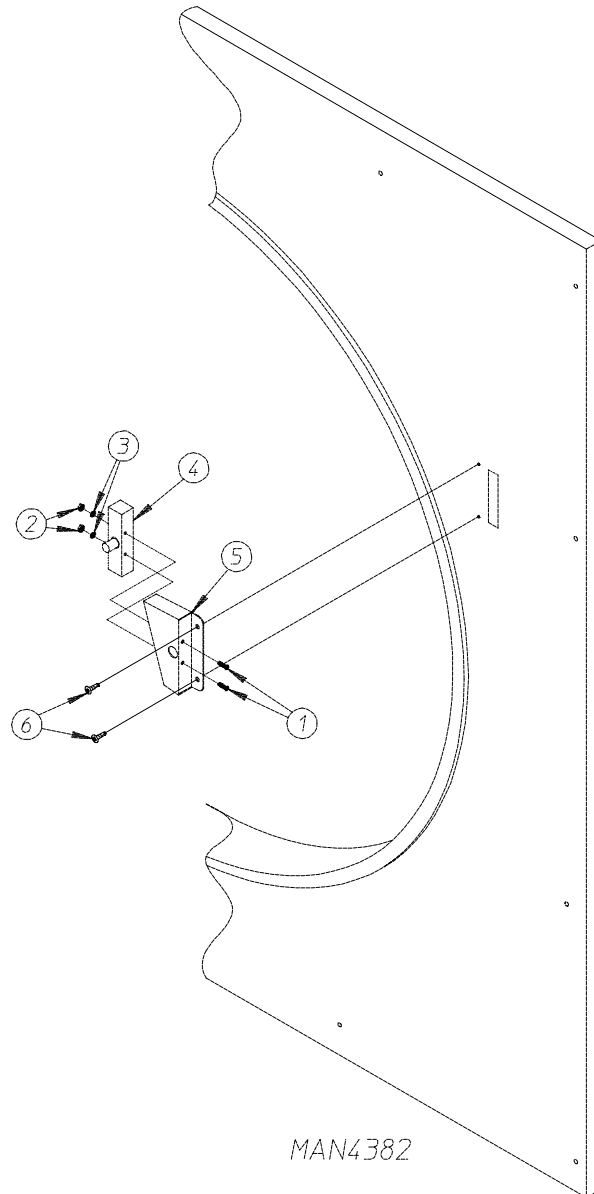
<u>Illus. No.</u>	<u>Part No.</u>	<u>Qty.</u>	<u>Description</u>
1	-----	1	CRS Main Door Assembly (refer to CRS Door Assembly on page 7)
2	150443	2	Socket Cap Screw
3	881441	1	White Bottom Hinge Block
	882306	1	Cornflower Blue Bottom Hinge Block
	882283	1	Coral Blue Bottom Hinge Block
4	153031	1	Nylon Washer
5	150443	2	Socket Cap Screw
6	881440	1	White Top Hinge Block
	882307	1	Cornflower Blue Top Hinge Block
	882284	1	Coral Blue Top Hinge Block
7	882285	1	White Front Panel Assembly
	882286	1	Cornflower Blue Front Panel Assembly
	882287	1	Coral Blue Front Panel Assembly
	882288	1	White Front Panel Assembly Complete (includes illus. nos. 2 through 11)
	882289	1	Cornflower Blue Front Panel Assembly Complete (includes illus. nos. 2 through 11)
	882290	1	Coral Blue Front Panel Assembly Complete (includes illus. nos. 2 through 11)
8	-----	1	Main Door Switch Assembly (refer to Main Door Switch Assembly on page 8)
9	150201	2	10-32 x 1/4" Phillips Pan Head Tap Zinc
10	170330	1	Friction Door Latch
11	154215	2	5/32" Rivet



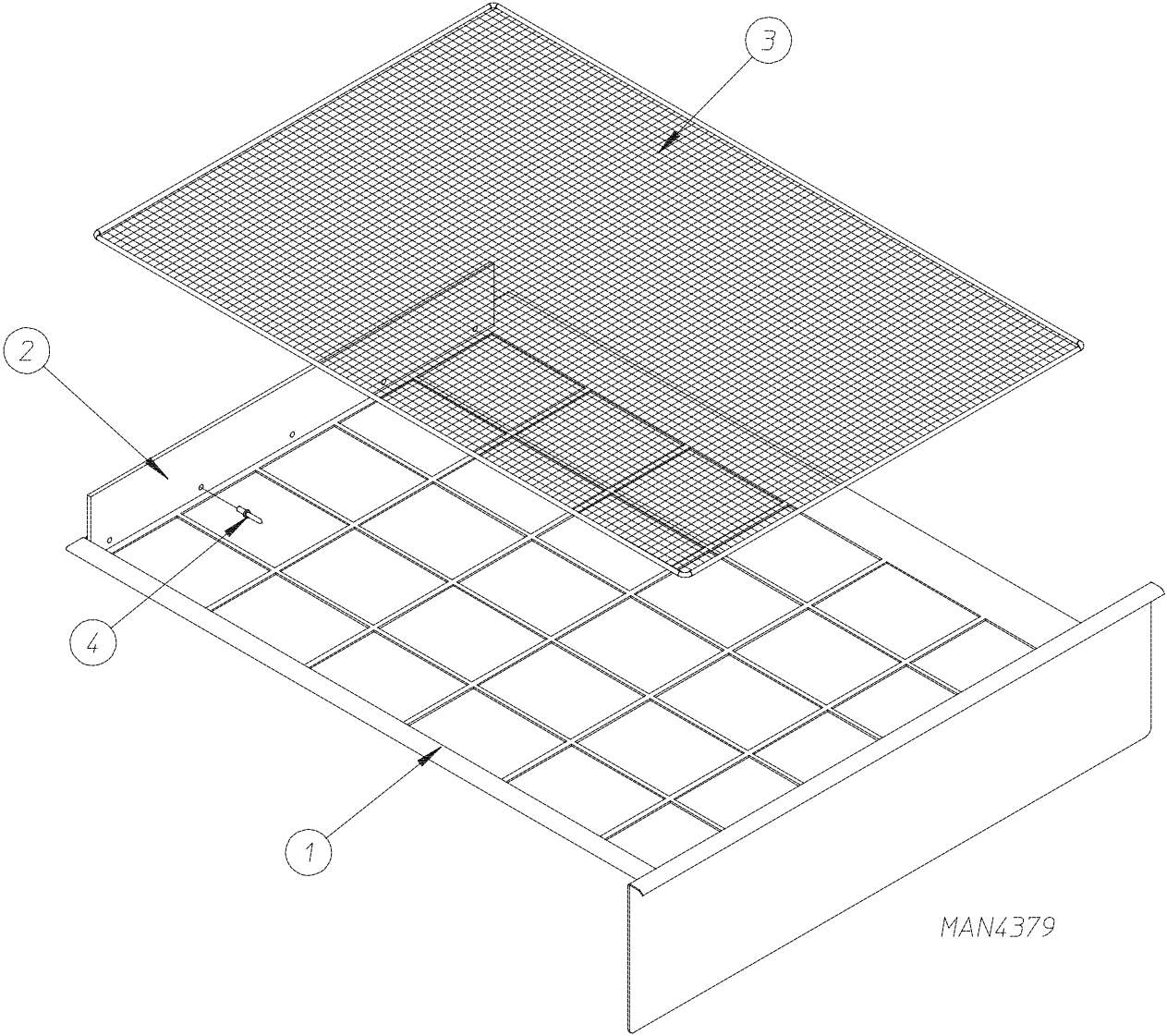
<u>Illus. No.</u>	<u>Part No.</u>	<u>Qty.</u>	<u>Description</u>
1	-----	1	CRS Main Door Assembly (refer to CRS Door Assembly on page 7)
2	150443	2	Socket Cap Screw
3	881441	1	White Bottom Hinge Block
	882306	1	Cornflower Blue Bottom Hinge Block
	882283	1	Coral Blue Bottom Hinge Block
4	153031	1	Nylon Washer
5	150443	2	Socket Cap Screw
6	881440	1	White Top Hinge Block
	882307	1	Cornflower Blue Top Hinge Block
	882284	1	Coral Blue Top Hinge Block
7	882452	1	White Front Panel Assembly
	882453	1	Cornflower Blue Front Panel Assembly
	882454	1	Coral Blue Front Panel Assembly
	882455	1	White Front Panel Assembly Complete (includes illus. nos. 2 through 15)
	882456	1	Cornflower Blue Front Panel Assembly Complete (includes illus. nos. 2 through 15)
	882457	1	Coral Blue Front Panel Assembly Complete (includes illus. nos. 2 through 15)
8	-----	1	Main Door Switch Assembly (refer to Main Door Switch Assembly on page 8)
9	150201	2	10-32 x 1/4" Phillips Pan Head Tap Zinc
10	170330	1	Friction Door Latch
11	154215	2	5/32" Rivet
12	122351	1	"Emergency Stop" Push/Pull Button
13	122419	1	"Emergency Stop" Nameplate
14	132395	1	N.C. Contact Block w/Base
15	132387	1	N.C. Contact Block



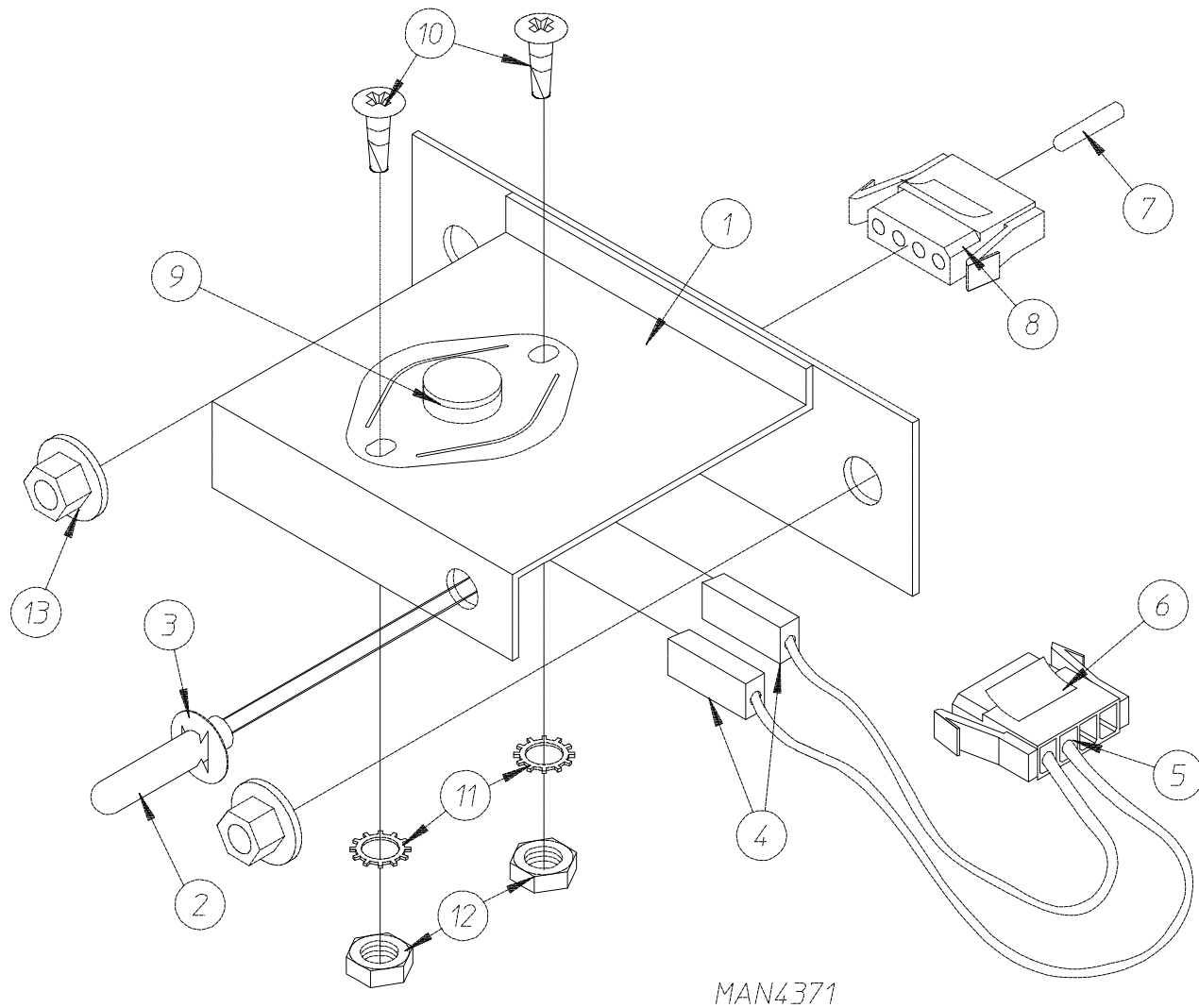
<u>Illus. No.</u>	<u>Part No.</u>	<u>Qty.</u>	<u>Description</u>
1	881689	1	White CRS Main Door Assembly (includes illus. nos. 2 through 10)
	882308	1	Cornflower Blue CRS Main Door Assembly (includes illus. nos. 2 through 10)
	882292	1	Coral Blue CRS Main Door Assembly (includes illus. nos. 2 through 10)
	881684	1	White CRS Main Door Ring
	882309	1	Cornflower Blue CRS Main Door Ring
	882305	1	Coral Blue CRS Main Door Ring
2	102214	1	30" Door Glass
	170730	1	Door Glass Adhesive (10.3 oz. cartridge)
3	881685	1	White Main Door Hinge
	882310	1	Cornflower Blue Main Door Hinge
	882296	1	Coral Blue Main Door Hinge
4	881740	6	1/4-20 x 5/8" White Carriage Bolt
	882311	6	1/4-20 x 5/8" Cornflower Blue Carriage Bolt
	882294	6	1/4-20 x 5/8" Coral Blue Carriage Bolt
5	881688	1	White Main Door Handle
	882312	1	Cornflower Blue Main Door Handle
	882295	1	Coral Blue Main Door Handle
6	881806	6	1/4-20 White Free Spin Wash Nut
	882313	6	1/4-20 Cornflower Blue Free Spin Wash Nut
	882293	6	1/4-20 Coral Blue Free Spin Wash Nut
7	152008	1	#10-32 Hex Nut
8	150120	1	Door Latch Screw
9	882411	1	Door Gasket
10	151012	4	#10-32 White Nylon Acorn Nut



<u>Illus. No.</u>	<u>Part No.</u>	<u>Qty.</u>	<u>Description</u>
1	150006	2	#6-32 x 7/8" Phillips Pan Head Machine Screw
2	152013	2	#6-32 Hex Nut
3	153010	2	#6 Star Washer
4	137005	1	Door Switch
5	881702	1	White Main Door Switch Housing Assembly (includes illus. nos. 1 through 5)
	882314	1	Cornflower Blue Main Door Switch housing Assembly (includes illus. nos. 1 through 5)
	882298	1	Coral Blue Main Door Switch housing Assembly (includes illus. nos. 1 through 5)
	881687	1	White Main Door Switch Housing ONLY
	882315	1	Cornflower Blue Main Door Switch Housing ONLY
	882291	1	Coral Blue Main Door Switch Housing ONLY
6	150201	2	10-32 x 1/4" Phillips Pan Head Tap Zinc

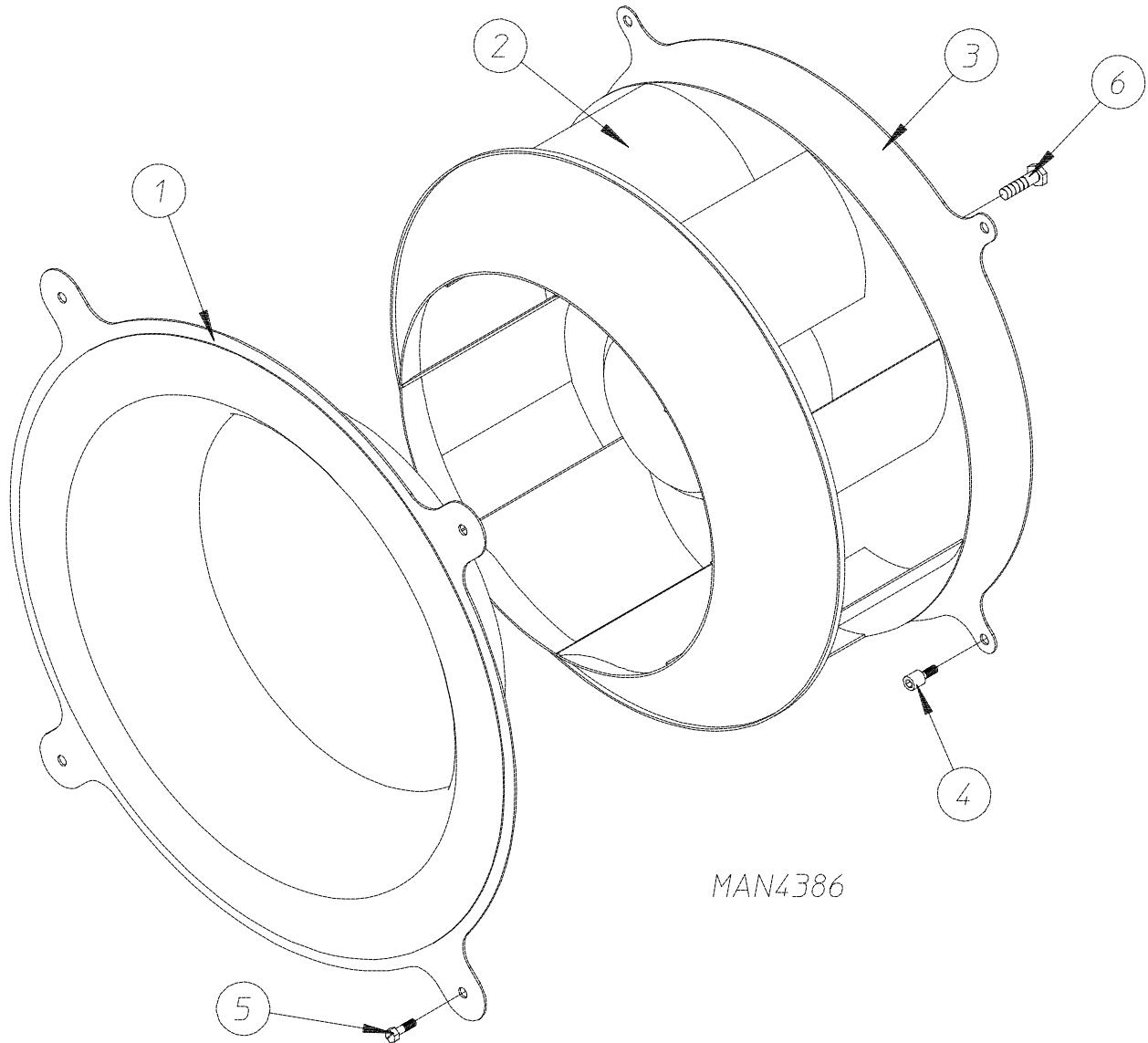


<u>Illus. No.</u>	<u>Part No.</u>	<u>Qty.</u>	<u>Description</u>
1	882299	1	White Lint Draw Assembly (includes illus. nos. 1 and 2)
	882300	1	Cornflower Blue Lint Draw Assembly (includes illus. nos. 1 and 2)
	882301	1	Coral Blue Lint Draw Assembly (includes illus. nos. 1 and 2)
2	115902	1	Lint Basket Felt
3	108227	1	Lint Screen Assembly
4	154215	5	5/32 x 1/4" Rivet

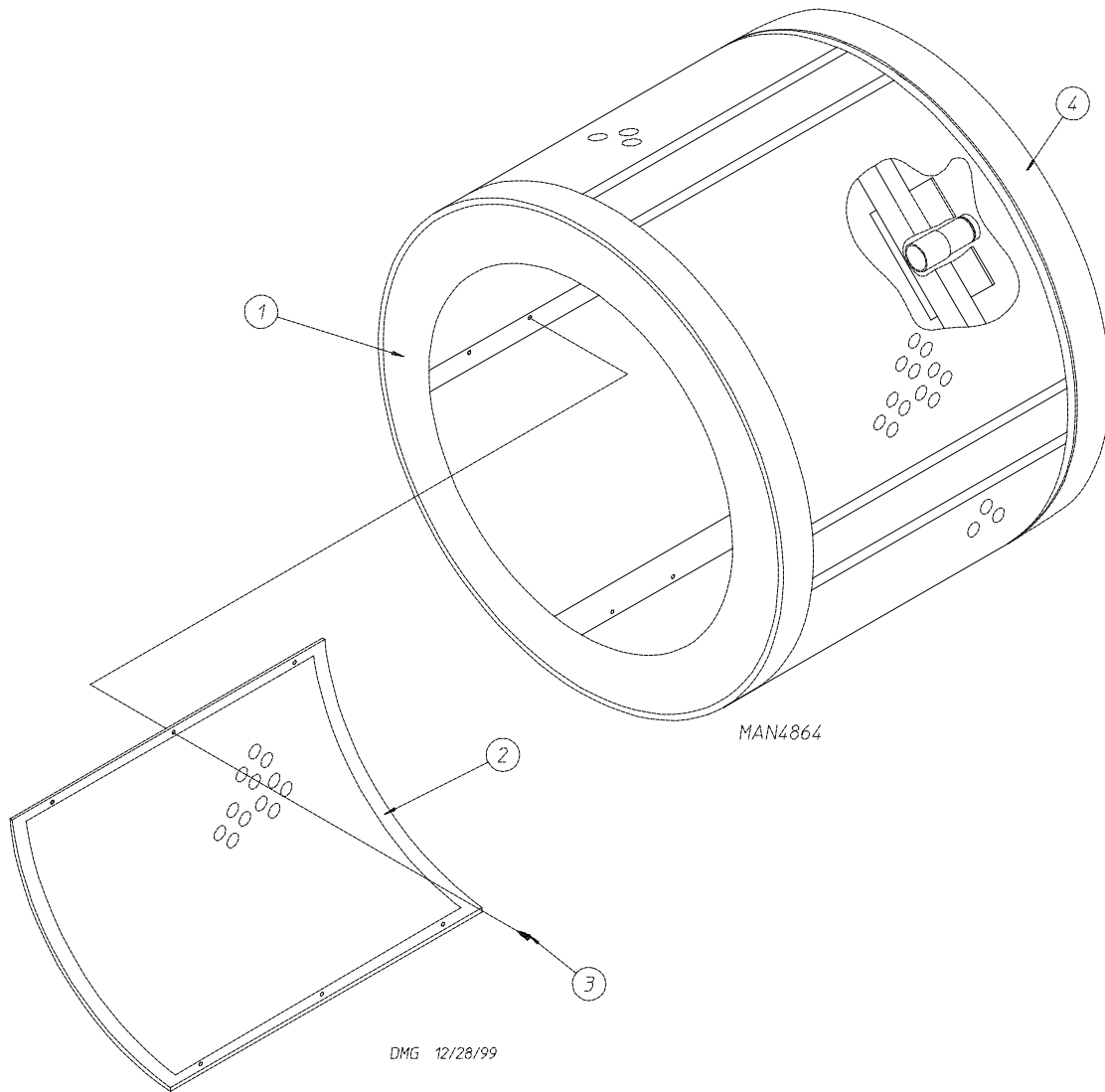


MAN4371

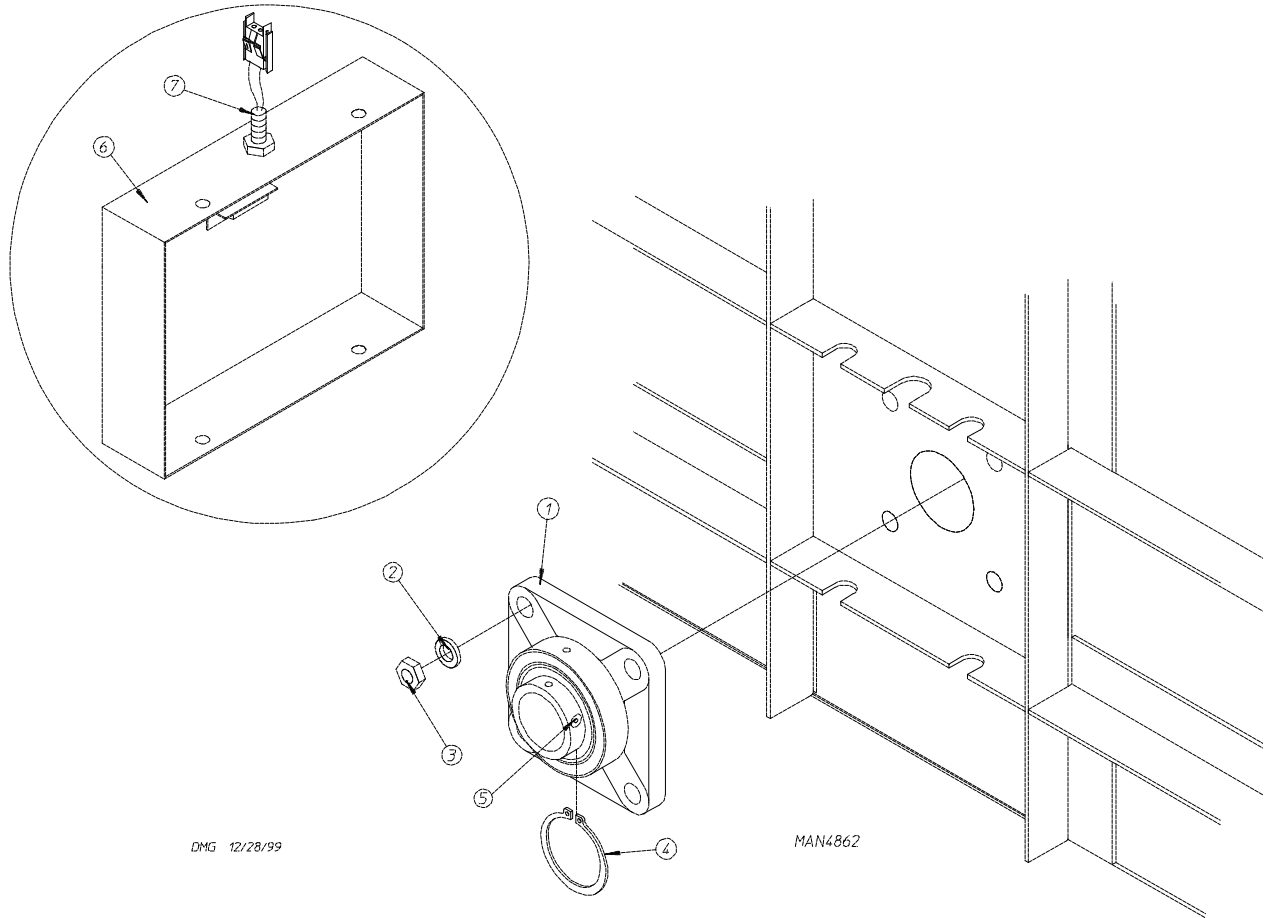
<u>Illus. No.</u>	<u>Part No.</u>	<u>Qty.</u>	<u>Description</u>
1	859372	1	Microprocessor Temperature Sensor Bracket Complete (includes illus. nos. 1 through 13)
	881089	1	Microprocessor Temperature Sensor Bracket ONLY
2	880252	1	4" Temperature Sensor
3	154007	2	1/4" Push On Fastener
4	121028	2	1/4" Terminal
5	122701	4	Socket Terminal ONLY
6	122605	1	4-Position Female Connector
7	122700	4	Pin Terminal ONLY
8	122604	1	4-Position Male Connector
9	130302	1	225° Manual Reset Thermostat
10	150005	2	#6-32 x 1/4" Phillips Round Head Machine Screw
11	153010	2	#6 Star Washer
12	152013	2	#6-32 Hex Nut
13	152014	2	1/4-20 Free Spin Wash Nut



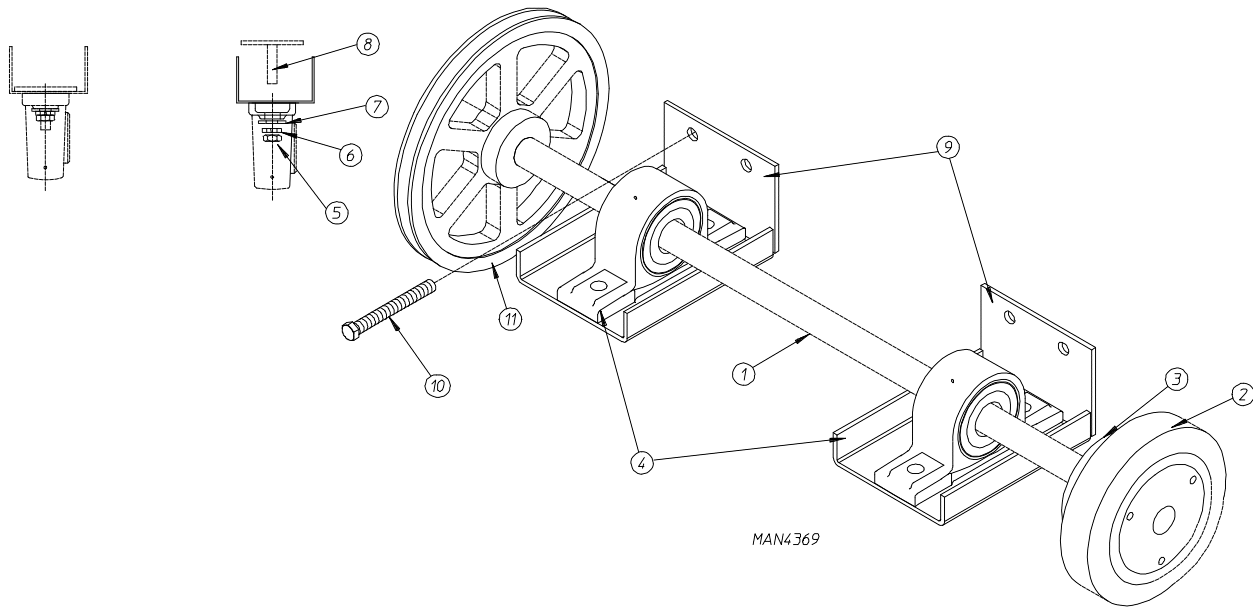
<u>Illus. No.</u>	<u>Part No.</u>	<u>Qty.</u>	<u>Description</u>
1	859364	1	Coop Cone
2	100622	1	Motorized Impellor (fan/blower) 230V 60 Hz 3ø
	100619	1	Motorized Impellor (fan/blower) 230/400V 50 Hz 3ø 460/480 60 Hz 3ø
	100617	1	Motorized Impellor (fan/blower) 208V/60 Hz 3ø
	859361	1	Motorized Impellor Assembly 230V/60 Hz 3ø (includes illus. nos. 1, 2, 3, and 6)
	816086	1	Motorized Impellor Assembly 230/400 50 Hz 3ø 460/480 60 Hz 3ø (includes illus. nos. 1, 2, 3, and 6)
	859363	1	Motorized Impellor Assembly 208V/60 Hz 3ø (includes illus. nos. 1, 2, 3, and 6)
3	390254	1	Motor Plate
4	150511	4	1/4-20 x 1" Hex Head Machine Bolt
5	150512	4	1/4-20 x 1/2" Hex Head Machine Bolt
6	154335	8	M10 x 16 Metric Tap Bolt



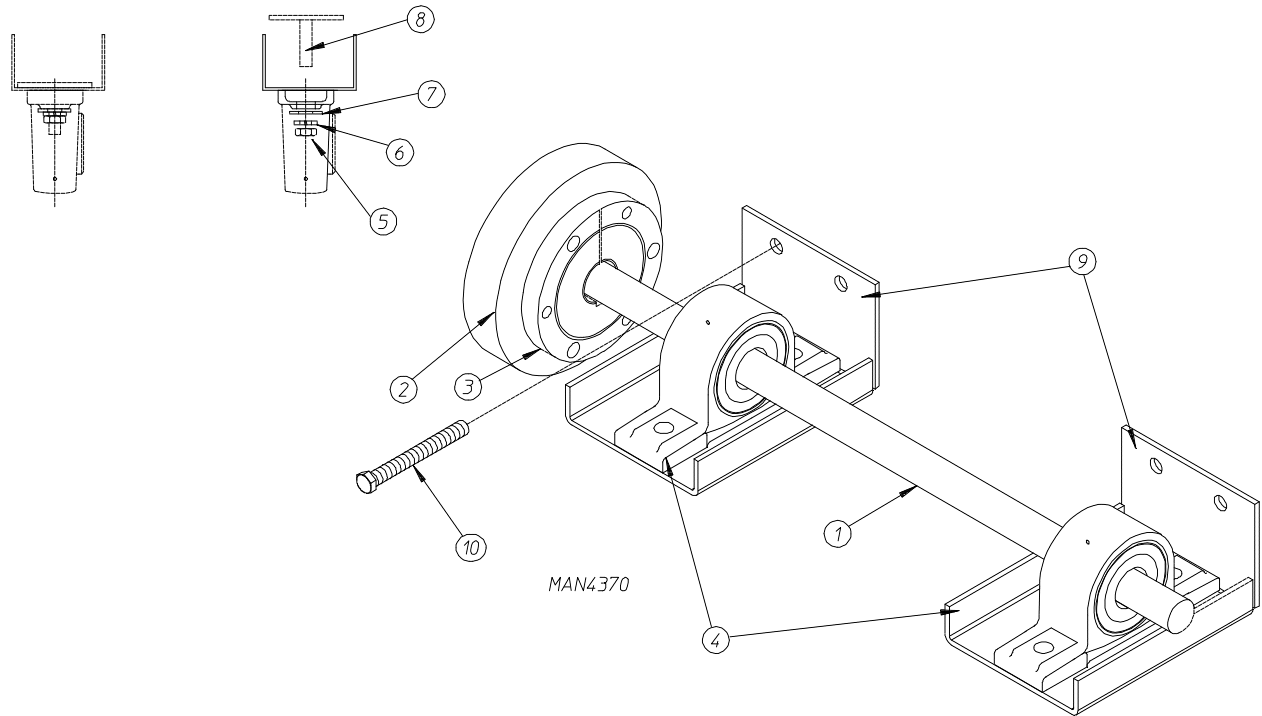
<u>Illus. No.</u>	<u>Part No.</u>	<u>Qty.</u>	<u>Description</u>
1	816053	1	Tumbler and Support Complete (includes illus. nos. 1 through 3)
	816081	1	Stainless Steel Tumbler and Support Complete (includes illus. nos. 1 through 3)
2	390704	4	Tumbler Side
	390655	4	Stainless Steel Tumbler Side
3	150118	48	1/4-20 x 1/4" Stainless Steel Phillips Pan Head Screw
4	116006	1	Felt Collar 139 3/8 x 2 1/2 x 1/8
--	170730	1	10.5 oz. Clear Glass Adhesive



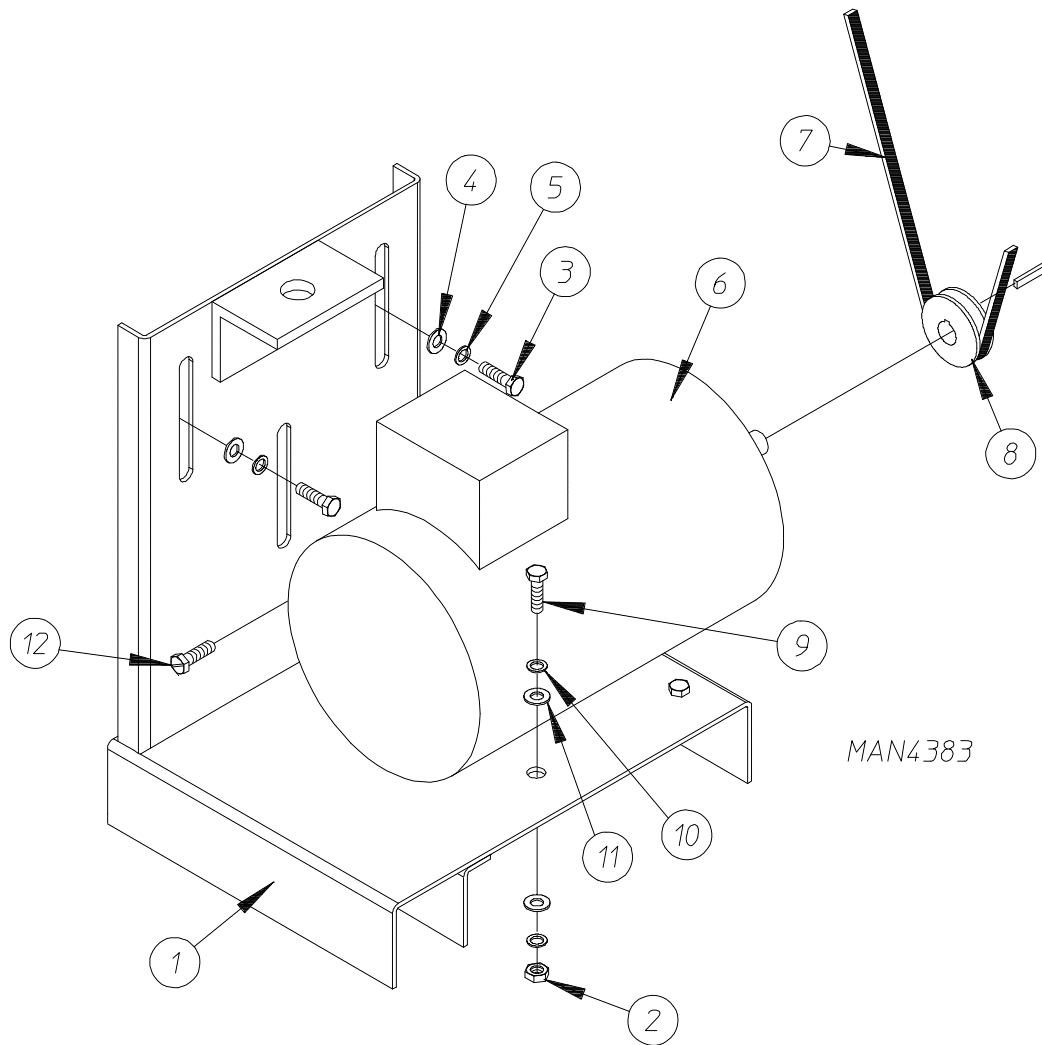
<u>Illus. No.</u>	<u>Part No.</u>	<u>Qty.</u>	<u>Description</u>
1	882244	1	1-3/4" Flange Bearing Assembly with Rotational Sensor Magnet (includes illus. nos. 1 and 5)
2	153025	4	9/16" Lock Washer
3	152050	4	9/16"-12 Hex Nut
4	100816	1	1-3/4" C-Clip Retaining Ring
5	102120	1	Rotational Sensor Magnet
6	882333	1	White Bearing Cap/Rotational Sensor
	882382	1	Cornflower Blue Bearing Cap/Rotational Sensor
	882331	1	Coral Blue Bearing Cap/Rotational Sensor
7	824807	1	Rotational Sensor Assembly



<u>Illus. No.</u>	<u>Part No.</u>	<u>Qty.</u>	<u>Description</u>
1	390641	1	Drive Shaft
	816061	1	Drive Shaft Assembly (includes illus. nos. 1 through 11)
2	180037	1	6-1/4" Drive Wheel and Hub
3	180038	1	1" Taper Lock
4	880205	2	1" Pillow Block Bearing
5	152004	4	5/16-18 Hex Nut
6	153002	4	5/16" Lock Washer
7	153001	4	5/16" Flat Washer
8	859008	2	Bearing Bolt Plate Assembly
9	859327	2	Bearing Pad
10	150509	4	5/16-18 x 3" Tap Bolt
11	101209	1	9" Pulley

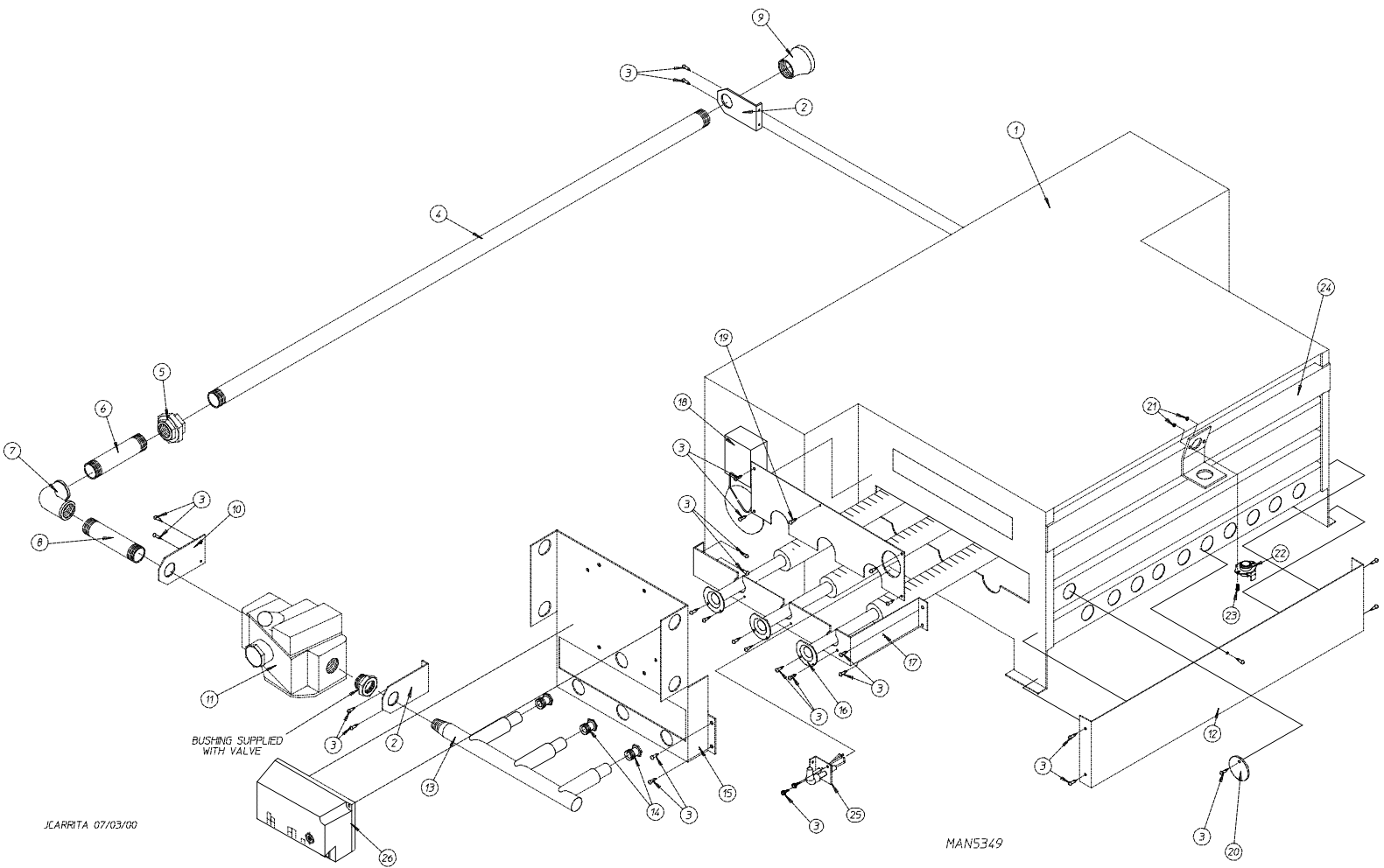


<u>Illus. No.</u>	<u>Part No.</u>	<u>Qty.</u>	<u>Description</u>
1	390642	1	Idler Shaft
	816062	1	Idler Shaft Assembly (includes illus. nos. 1 through 11)
2	180037	1	6-1/4" Drive Wheel and Hub
3	180038	1	1" Taper Lock
4	880205	2	1" Pillow Block Bearing
5	152004	4	5/16-18 Hex Nut
6	153002	4	5/16" Lock Washer
7	153001	4	5/16" Flat Washer
8	859008	2	Bearing Bolt Plate Assembly
9	859327	2	Bearing Pad
10	150509	4	5/16-18 x 3" Tap Bolt

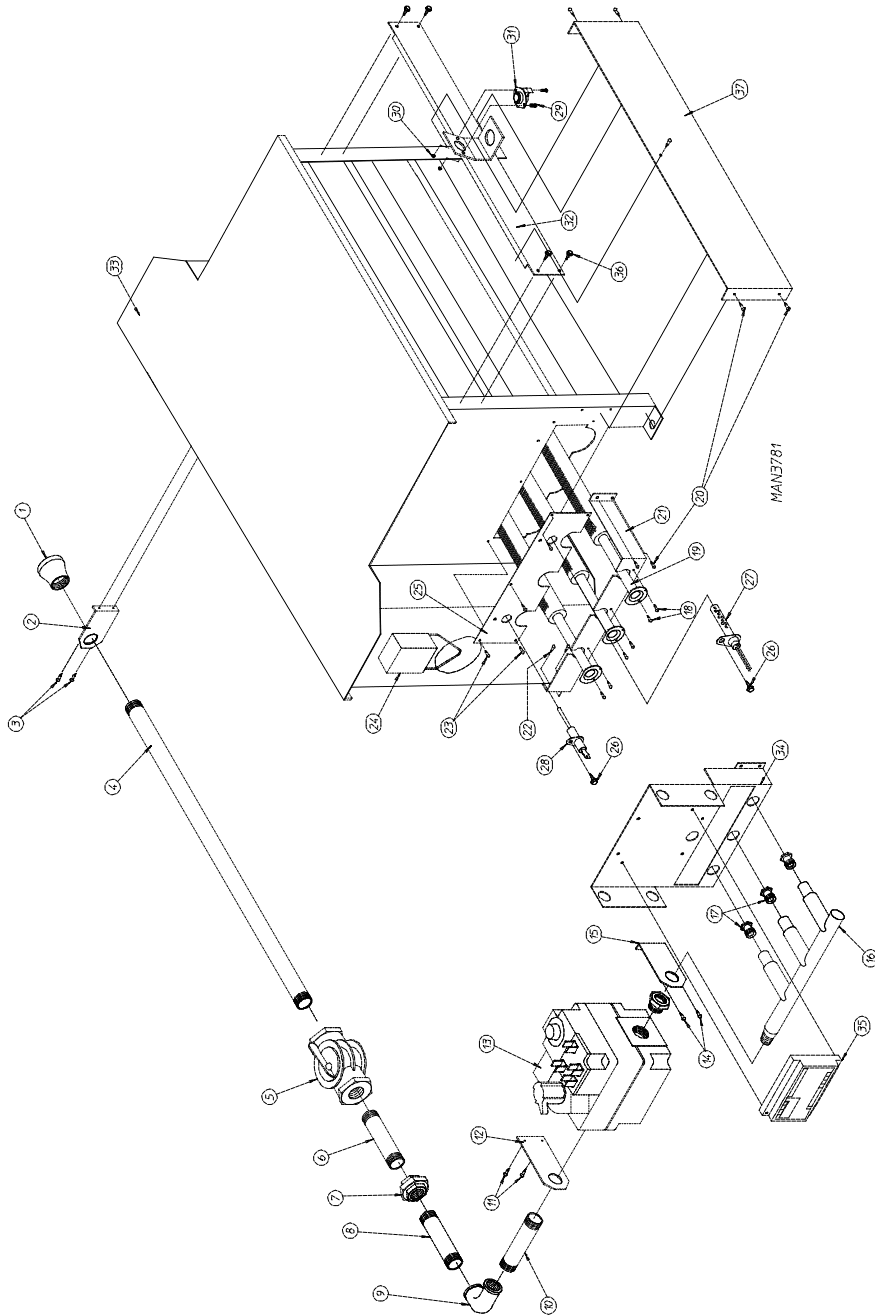


MAN4383

<u>Illus. No.</u>	<u>Part No.</u>	<u>Qty.</u>	<u>Description</u>
1	859332	1	Motor Mount
2	152004	4	5/16" Hex Nut
3	150501	2	5/16-18 x 3/4" Hex Bolt
4	153001	3	5/16" Flat Washer
5	153002	3	5/16" Lock Washer
6	816060	1	Drive Motor Assembly (60 Hz) (includes illus. nos. 1 through 12)
	181029	1	1 HP 200-230/460V 3 ϕ 60 Hz Drive Motor
	816088	1	Drive Motor Assembly 50 Hz (includes illus. nos. 1 through 12)
	181034	1	1 HP 200-230/460V 3 ϕ 50 Hz Drive Motor
7	100174	1	AX53 Cogged Belt
8	101132	1	2.0 O.D. x 5/8" Machine MA Sheave 60 Hz
	101130	1	2.5 x 5/8" Bore MA Sheave 50 Hz
9	150501	4	5/16-18 x 3/4" Hex Bolt
10	153002	8	5/16" Lock Washer
11	153001	8	5/16" Flat Washer
12	150501	1	5/16-18 x 3/4" Hex Bolt



<u>Illus. No.</u>	<u>Part No.</u>	<u>Qty.</u>	<u>Description</u>
1	816034	1	Natural Gas Burner Assembly Complete (includes illus. nos. 1 through 26, and 28)
	816040	1	Liquid Propane (L.P.) Gas Burner Assembly Complete (includes illus. nos. 1 through 28)
	816099	1	Burner Box ONLY
2	331291	2	Gas Valve Pipe Bracket
3	150309	27	#10-16 x 1/2" Hex Head TEK Crimptite Screw
4	142821	1	3/4" x 36" Nipple
5	142601	1	3/4" Union
6	142710	1	3/4" x 4" Nipple
7	142504	1	3/4" x 90° Elbow
8	142734	1	3/4" x 5 1/2" Nipple
9	142753	1	1 1/4" to 3/4" Reducing Coupling
10	354030	1	Pipe Bracket (flat)
11	140026	1	3/4" 24 VAC Redundant Gas Valve (natural gas Only)
	882098	1	3/4" 24 VAC Redundant Gas Valve (liquid propane [L.P.] Only)
	882233	1	Liquid Propane (L.P.) Gas Conversion Kit
12	332256	1	Liquid Propane (L.P.) Burner Baffle (L.P. gas models Only)
13	141219	1	3-Port Manifold
14*	140839	3	#2 Burner Orifice (natural gas Only)
	140819	3	#30 Burner Orifice (liquid propane [L.P.] gas Only)
15	335031	1	Direct Spark Ignition (DSI) Mount Manifold Rest
16	881492	3	Burner Tube w/ bracket
17	331287	1	Burner Tube Support ONLY
18	881706	1	Sail Switch Assembly (refer to Sail Switch Assembly on page 21)
19	331289	1	Direct Spark Ignition (DSI) Burner Box Cover Plate ONLY
20	331290	1	Ignitor/Flame-Probe Sight Hole Disc ONLY
21	151000	2	#6-32 Pal Nut
22	130201	1	330° Manual Reset Hi-Limit ONLY
23	150001	2	#6-32 x 1/2" Right Hand Machine Screw
24	821457	1	Hi-Limit Bracket
25	128914	1	Ignitor/Flame-Probe Assembly
26	128935	1	Direct Spark Ignition (DSI) Module



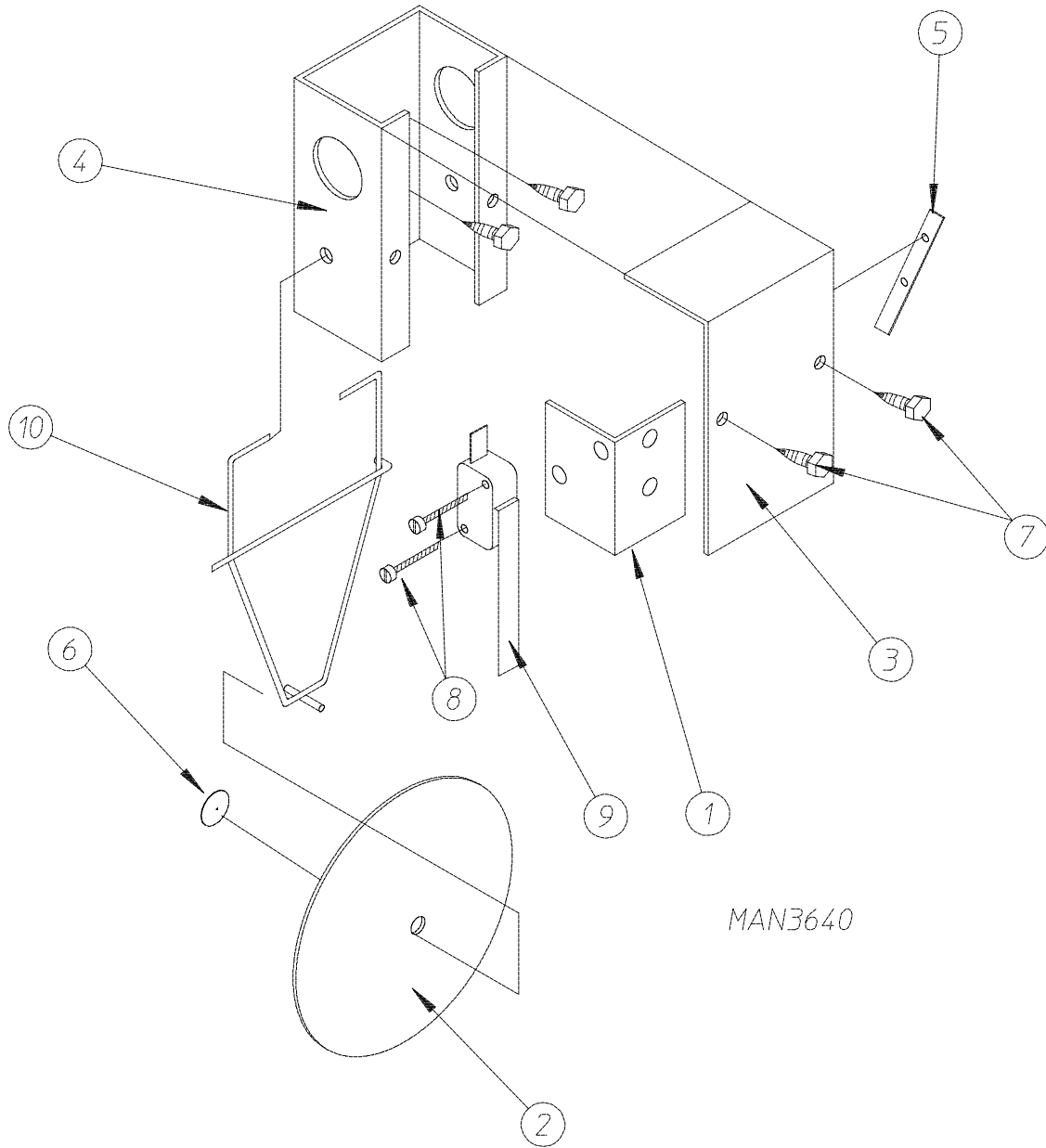
<u>Illus. No.</u>	<u>Part No.</u>	<u>Qty.</u>	<u>Description</u>
1	142753	1	1-1/4" to 3/4" Reducing Coupling (for models mfd. as of July 2, 1999)
	142924	1	1" to 3/4" Reducing Coupling (for models mfd. prior to July 2, 1999)
2	331291	1	Pipe Bracket
3	150309	2	#10-16 x 1/2" Hex Head TEK Crimptite Screw
4	142813	1	3/4" x 33-1/2" Nipple
5	141300	1	3/4" Union Shut-Off
6	142701	1	3/4" Closed Nipple

continued on page 20

continued from page 19

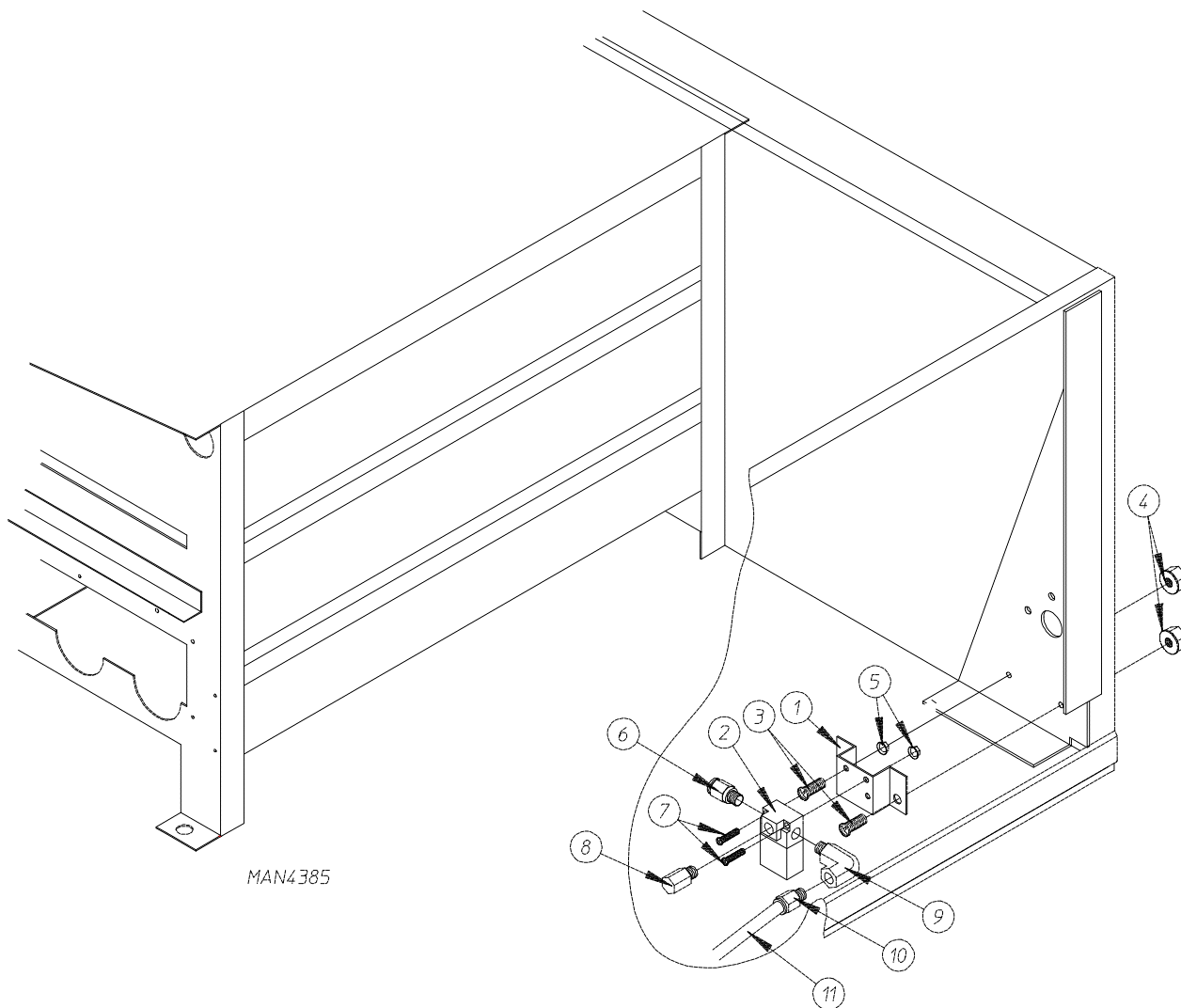
<u>Illus. No.</u>	<u>Part No.</u>	<u>Qty.</u>	<u>Description</u>
7	142601	1	3/4" Union
8	142710	1	3/4" x 4" Nipple
9	142504	1	3/4" x 90° Elbow
10	142734	1	3/4" x 5-1/2" Nipple
11	150309	2	#10-16 x 1/2" Hex Head TEK Crimptite Screw
12	390125	1	Pipe Bracket
13	140026	1	3/4" 24 VAC Redundant (natural gas) Gas Valve
	881868	1	24 VAC Gas Valve Liquid Propane (L.P.) Conversion Kit
14	150309	2	#10-16 x 1/2" Hex Head TEK Crimptite Screw
15	331291	1	Pipe Bracket
16	141208	1	3-Port Manifold
17*	140839	3	#2 Burner Orifice (natural gas Only)
	140819	3	#30 Burner Orifice (liquid Propane [L.P.] gas Only)
18	150309	2	#10-16 x 1/2" Hex Head TEK Crimptite Screw
19	881492	3	Burner Tube w/ bracket
20	150309	2	#10-16 x 1/2" Hex Head TEK Crimptite Screw
21	331287	1	Burner Tube Support ONLY
22	150309	2	#10-16 x 1/2" Hex Head TEK Crimptite Screw
23	150309	6	#10-16 x 1/2" Hex Head TEK Crimptite Screw
24	-----	1	Sail Switch (refer to Sail Switch Assembly on page 21)
25	390098	1	Burner Box Cover Plate ONLY
26	150309	2	#10-16 x 1/2" Hex Head TEK Crimptite Screw
27	881597	1	Hot Surface Ignition (HSI) Ignitor
28	128921	1	Hot Surface Ignition (HSI) Flame Sensor
29	150001	2	#6-32 x 1/2" Phillips Round Head Machine Screw
30	151000	2	#6-32 Pal Nut
31	130201	1	330° Manual Reset Hi-Limit ONLY
32	821457	1	Hi-Limit Bracket
33*	816084	1	Hot Surface Ignition (HSI) Liquid Propane (L.P.) Gas Burner Assembly Complete (includes illus. nos. 1 through 37)
	816083	1	Hot Surface Ignition (HSI) Natural Gas Burner Assembly Complete (includes illus. nos 1 through 36)
	820201	1	Burner Box ONLY
34	335031	1	Hot Surface Ignition (HSI) Module Mounting Bracket/Manifold Rest
35	881797	1	Hot Surface Ignition (HSI) Module II
36	150309	6	#10-16 x 1/2" Hex Head TEK Crimptite Screw
37	332256	1	Liquid Propane (L.P.) Burner Baffle (for models mfd. liquid propane [L.P.] gas Only)

* Consult factory for elevations over 2,000 feet.

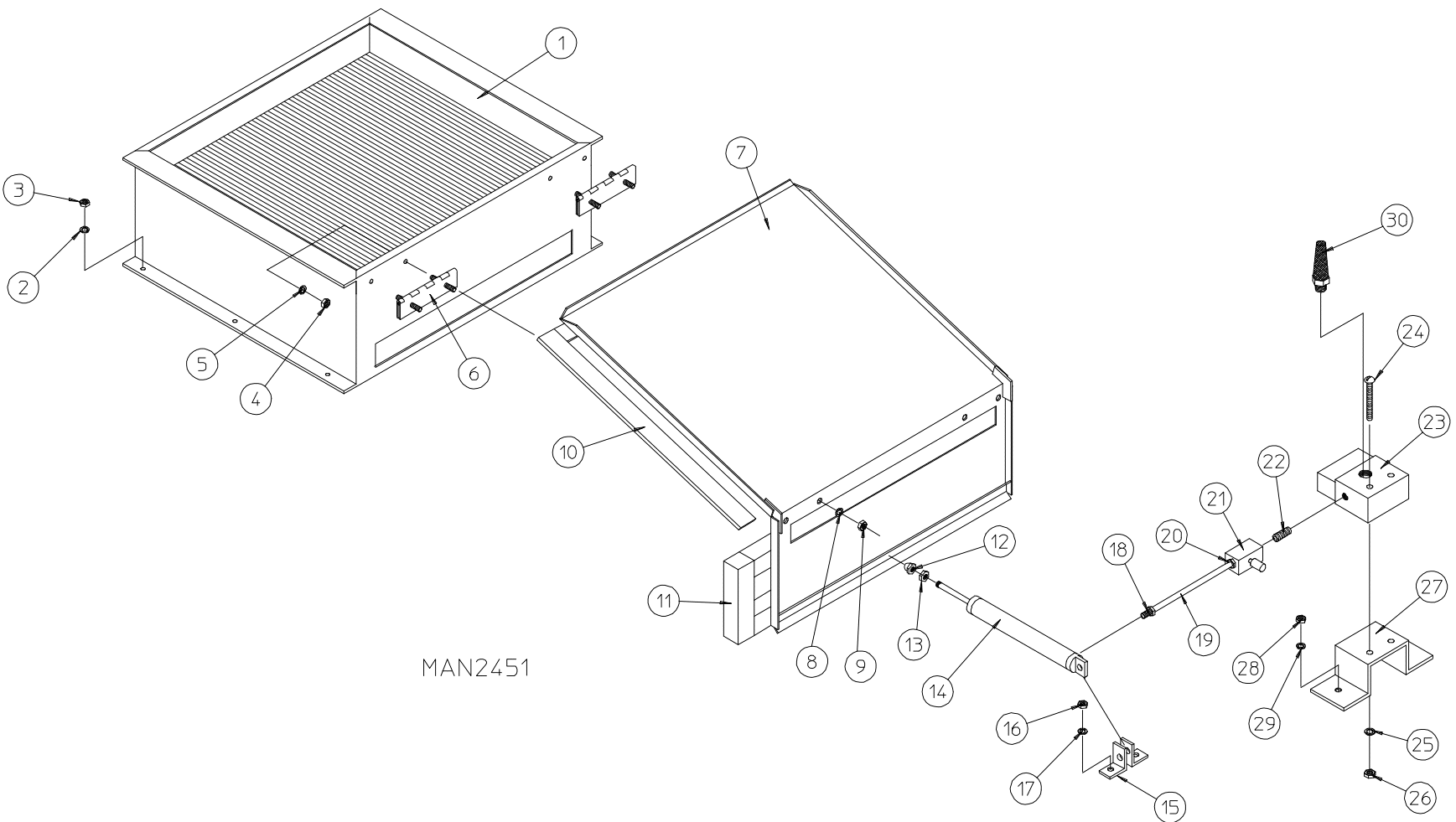


MAN3640

<u>Illus. No.</u>	<u>Part No.</u>	<u>Qty.</u>	<u>Description</u>
1	319203	1	Sail Switch Mounting Bracket
2	319202	1	Sail Switch Damper (flat)
3	319201	1	Sail Switch Box Cover
4	319200	1	Sail Switch Box
5	154004	1	Twin Speed Nut
6	154002	1	1/8" Push On Fastener
7	150309	4	#10-16 x 1/2" Hex Head TEK Crimptite Screw
8	150303	2	#4 x 3/4" Pan Head "A" Machine Screw
9	122200	1	Sail Switch ONLY
	881706	1	Sail Switch Box Assembly Complete (includes illus. nos. 1 through 10)
10	105500	1	Sail Switch Actuator Rod



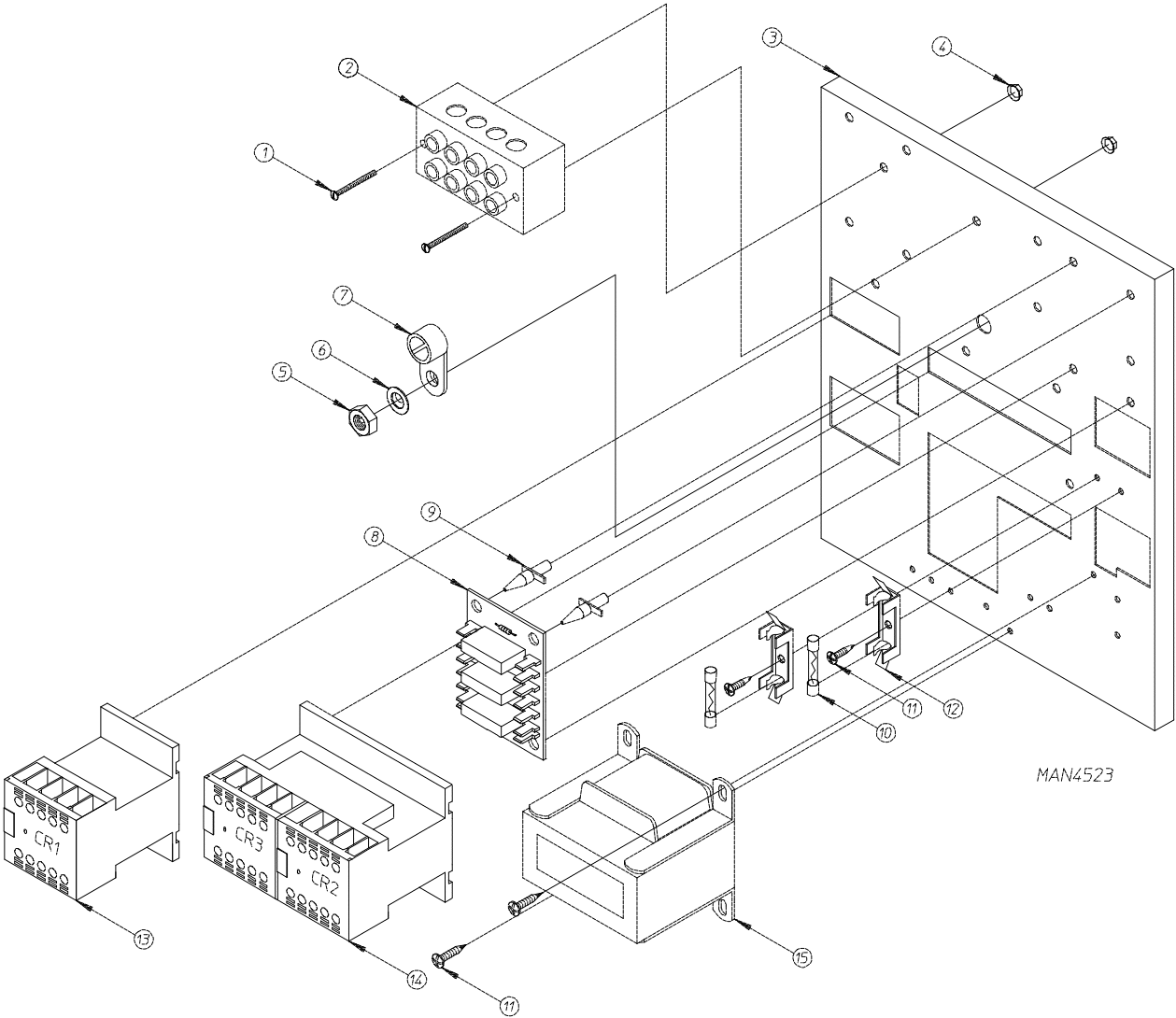
<u>Illus. No.</u>	<u>Part No.</u>	<u>Qty.</u>	<u>Description</u>
1	330987	1	Micro Valve Bracket
2	836002	1	Air Jet Solenoid
3	150111	2	1/4-20" Phillips Round Head Machine Screw
4	152014	2	1/4-20" Free Spin Wash Nut
5	151000	2	#6-32 Pal Nut
6	100472	1	1/4" x 1/8" Male Connector
7	150002	2	#6-32 x 1" Phillips Round Head Machine Screw
8	100520	1	1/8" N.P.T. Silencer (muffler)
9	143268	1	1/8" 90° Brass Straight Elbow
10	100472	1	1/4" x 1/8" Male Connector
11	143115	4	1/4" Poly-Flo Tubing (sold by the foot)



MAN2451

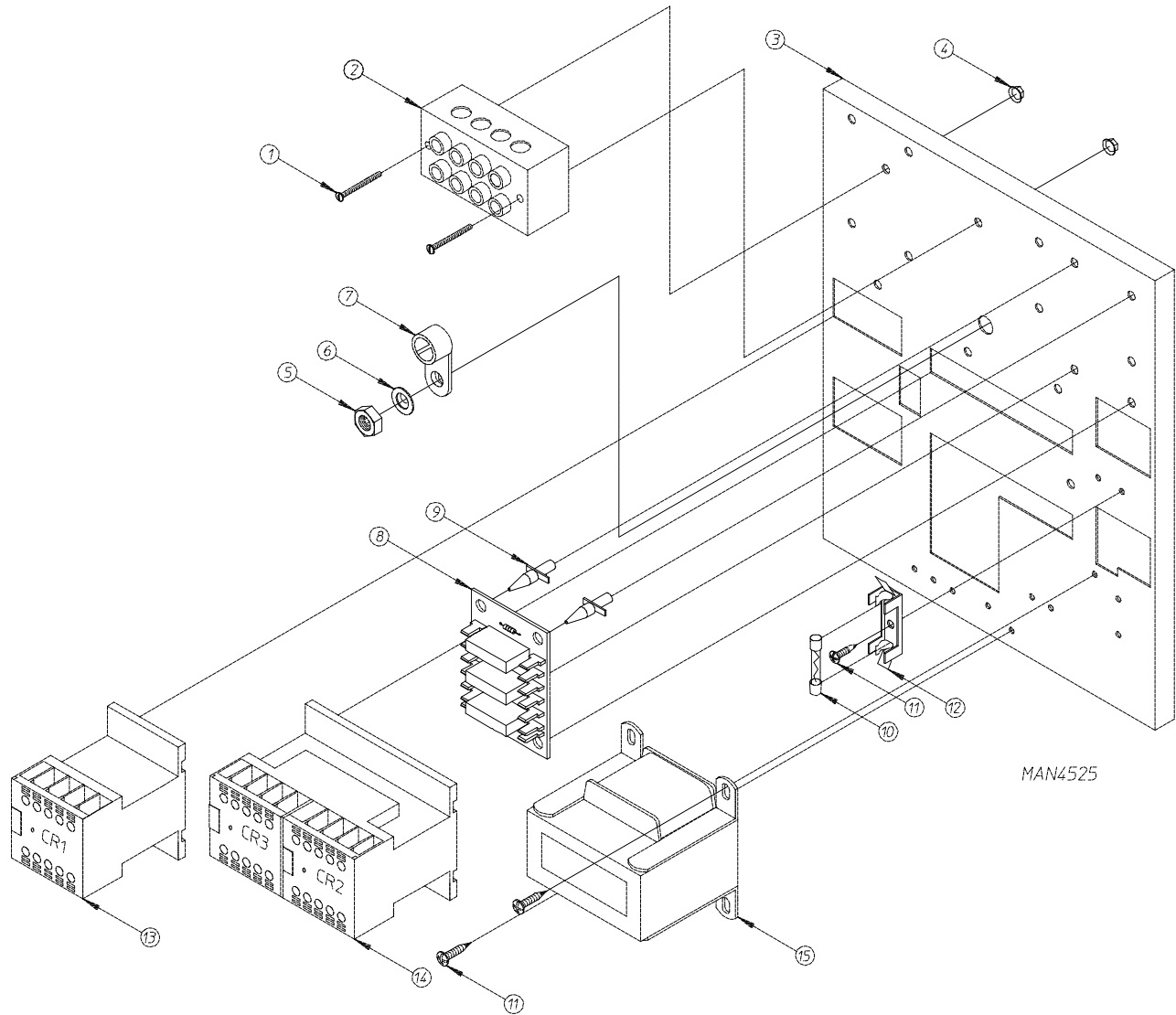
<u>Illus. No.</u>	<u>Part No.</u>	<u>Qty.</u>	<u>Description</u>
1	165012	1	Steam Coil Assembly
	165019	1	Steel Steam Coil Assembly (optional)
2	153002	6	5/16" Lock Washer
3	152004	6	5/16-18 Hex Nut
4	152002	4	1/4-20 Hex Nut
5	153007	4	1/4" Lock Washer
6	820321	2	Steam Damper Hinge Assembly
7	820320	1	Steam Damper Assembly (copper coil) (includes illus. nos. 1, and 4 through 30)
8	153007	4	1/4" Lock Washer
9	152002	4	1/4-20 Hex Nut
10	115995	84	Steam Damper Gasket (sold by the inch)
11	102350	1	Gasket (68-12" length)
12	151007	1	7/16-20 Stainless Steel Acorn Nut
13	152007	1	7/16-20 Hex Nut
14	100499	1	1-1/2" Bore x 3" Stroke Piston
15	100500	1	Piston Support Bracket
16	152002	4	1/4-20 Hex Nut
17	153007	4	1/4" Lock Washer
18	100472	1	1/4" x 1/8" Connector
19	143110	1	1/4" Tubing (sold by the foot)
20	100472	1	1/4" x 1/8" Connector
21	100496	1	1/8" Needle Valve
22	143238	1	1/8" Close Nipple
23	100498	1	3-Way Micro Valve 24 VAC
24	150002	2	#6-32 x 1" Round Head Machine Screw
25	153010	2	#6 Star Washer
26	152000	2	#6-32 Hex Nut
27	330987	1	Micro Valve Support Bracket
28	152002	2	1/4-20 Hex Nut
29	153007	2	1/4" Lock Washer
30	100520	1	1/8" N.P.T. Silencer (muffler)

For 60 Hz Model ONLY



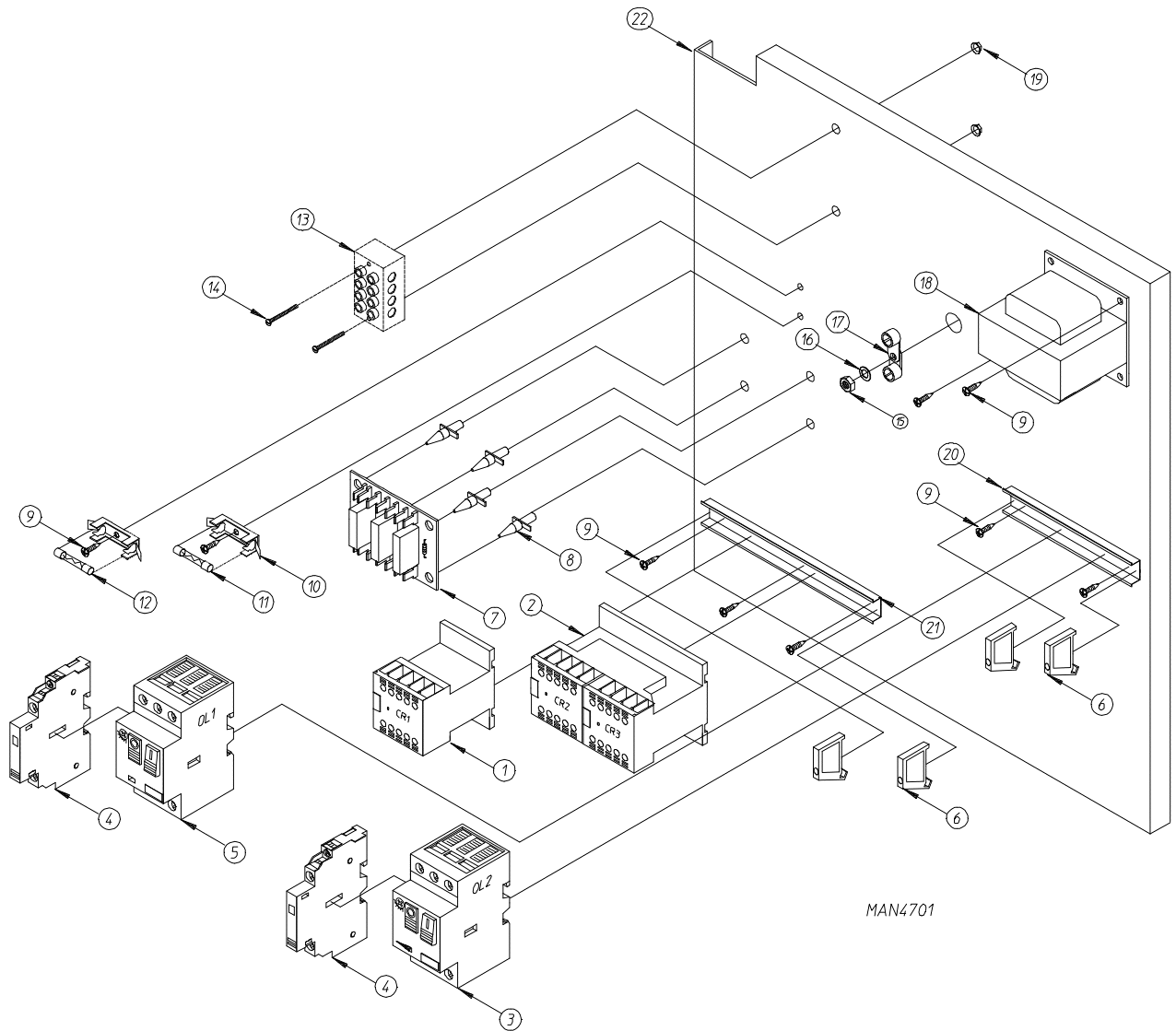
<u>Illus. No.</u>	<u>Part No.</u>	<u>Qty.</u>	<u>Description</u>
1	150008	2	6-32 x 1-1/4" Phillips Round Head Machine Screw
2	120701	1	4-Position Terminal Block
3	323743	1	Relay Panel
	820187	1	Reversing Relay Panel Assembly 208-240V (includes illus. nos. 1 through 15)
	820217	1	Reversing Relay Panel Assembly 480V (includes illus. nos. 1 through 15)
4	151000	2	#6-32 Pal Nut
5	152004	1	5/16-18 Hex Nut
6	153002	1	5/16" Lock Washer
7	121012	1	Ground Lug
8	137060	1	Arc Suppressor (A.S.) Board
9	137013	4	Nylon Standoff
10	136057	1	.5-Amp 3AG Slo Blo Fuse
11	150301	3	#8-18 x 7/16" Phillips Round Head TEK Screw
12	136008	1	Fuse Holder
13	132455	1	9 Amp 2 HP Contactor
14	132448	1	Reversing Contactor
15	820174	1	208-240V/60 Hz 3 ϕ Transformer Assembly
	820134		480V/60 Hz 3 ϕ Transformer Assembly (for models mfd. as of 7/19/99)
	820241		480V/60 Hz 3 ϕ Transformer Assembly (for models mfd. prior to 7/19/99)
	820216	1	480V/60 Hz 3 ϕ Transformer Assembly (for steam models Only)
--	820173	1	208-240V Reversing Relay Panel Wiring
--	819989	1	480V Reversing Panel Wiring (for models mfd. as of 7/19/99)
--	820218	1	480V Reversing Relay Panel Wiring (for models mfd. prior to 7/19/99)
--	842851	1	208-240V Relay Panel 9-Pin Connector Wiring
--	820186	1	480V Relay Panel 9-Pin Connector Wiring

For 50 Hz Model ONLY



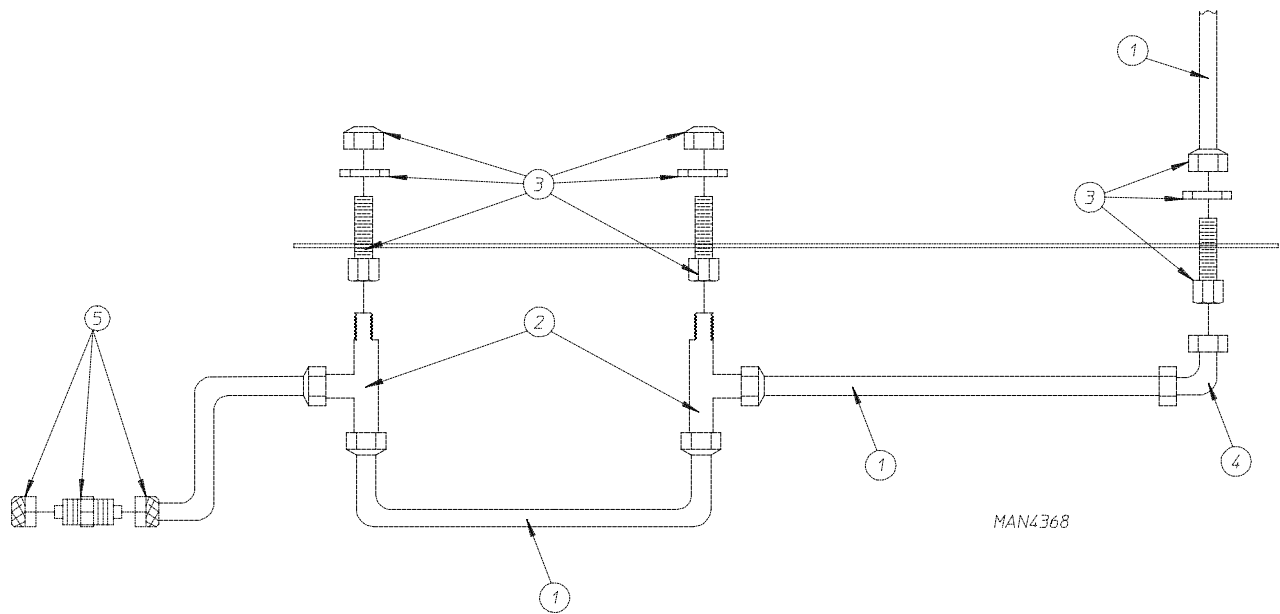
<u>Illus. No.</u>	<u>Part No.</u>	<u>Qty.</u>	<u>Description</u>
1	150008	2	#6-32 x 1-1/4" Phillips Round Head Machine Screw
2	120701	1	4-Position Terminal Block
3	323743	1	Relay Panel
	820219	1	380-416V/50 Hz 3 ϕ Reversing Relay Panel Assembly (includes illus. nos. 1 through 15) For Gas Models ONLY
	820192	1	380-416V/50 Hz 3 ϕ Reversing Panel Assembly (includes illus. nos. 1 through 15) For Steam Models ONLY
4	151000	2	#6-32 Pal Nut
5	152004	1	5/16-18 Hex Nut
6	153002	1	5/16" Lock Washer
7	121012	1	Ground Lug
8	137060	1	Arc Suppressor (A.S.) Board
9	137013	4	Nylon Standoff
10	136057	1	.5-Amp (Slo Blo) Fuse
11	150301	3	#8-18 x 7/16" Phillips Round Head TEK Screw
12	136008	1	Fuse Holder ONLY
13	132455	1	9-Amp 2 HP Contactor
14	132448	1	Reversing Contactor
15	820220	1	380-416V/50 Hz 3 ϕ Transformer Assembly
--	820188	1	380-416V/50 Hz 3 ϕ Reversing Relay Panel Wiring
--	842851	1	380-416V/50 Hz 3 ϕ Relay Panel 9-Pin Connector Wiring

For 50 Hz Model ONLY

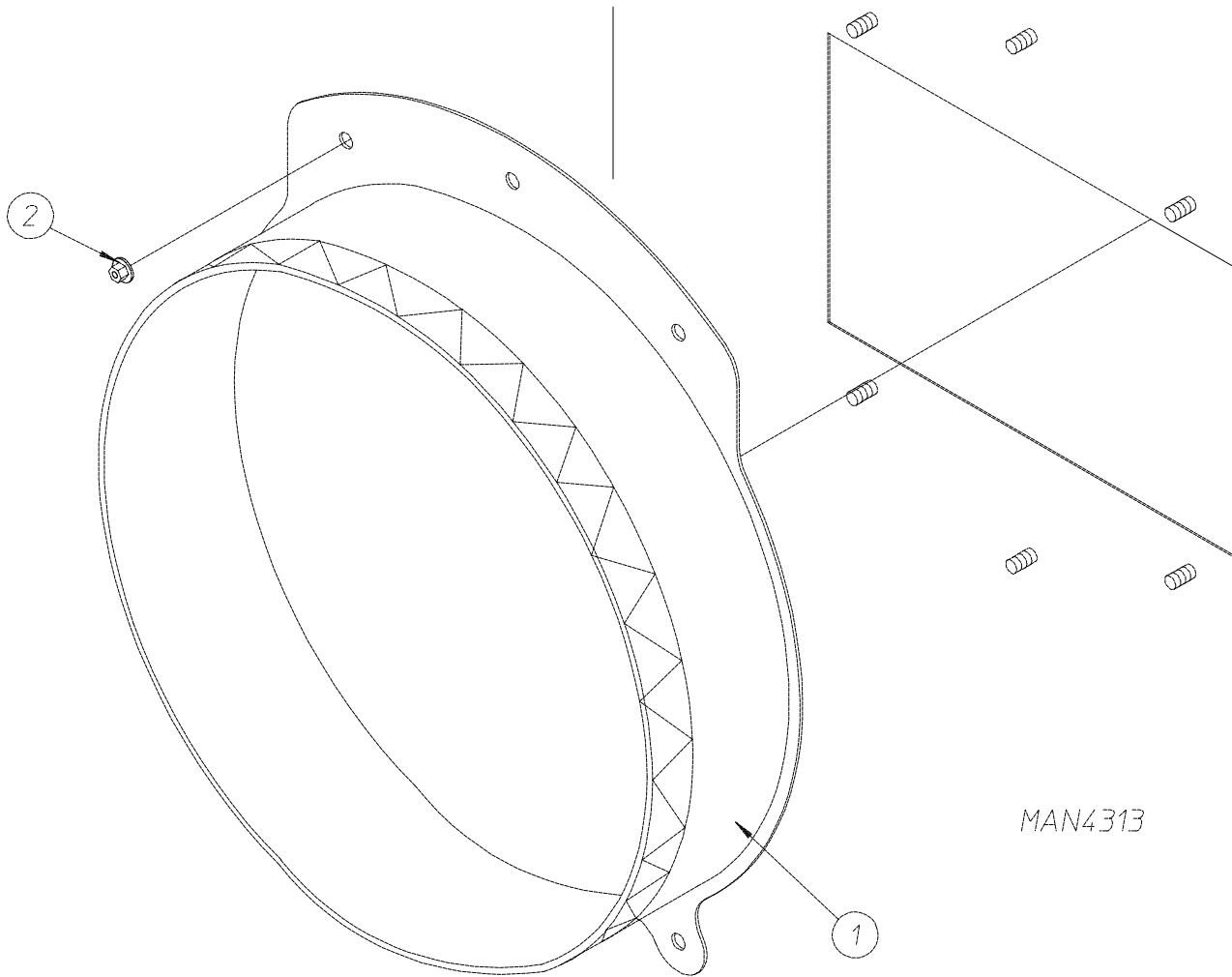


MAN4701

<u>Illus. No.</u>	<u>Part No.</u>	<u>Qty.</u>	<u>Description</u>
1	132455	1	9-Amp Contactor
2	132448	1	Reversing Contactor
3	131971	1	1.6 - 2.5 Amp Manual Stater
4	132389	2	Auxiliary Contact Block
5	131961	1	2.5 - 4 Amp Manual Starter
6	120765	4	End Stop
7	137060	1	Arc Suppressor (A.S.) Board
8	137013	4	Nylon Standoff
9	150301	9	#8-18 x 7/16" Phillips Pan Head TEK Screw
10	136008	2	Fuse Holder ONLY
11	136053	1	5-Amp (Slo Blo) Fuse
12	136057	1	1/2-Amp (Slo Blo) Fuse
13	120701	1	4-Position Terminal Block
14	150008	2	#6-32 x 1-1/4" Round Head Machine Screw
15	152004	1	5/16-18 Hex Nut
16	153002	1	5/16" Lock Washer
17	121012	2	Ground Log
18	819995	1	380-416 Volt Transformer Assembly
19	151000	2	#6-32 Pal Nut
20	120768	5	35 x 15 mm Din Mounting Rail (sold by the inch)
21	120768	6	35 x 15 mm Din Mounting Rail (sold by the inch)
22	390663	1	Polymark Relay Panel ONLY
--	819992	-	Reversing Relay Panel Miscellaneous Wiring
--	819991	-	Reversing Relay Panel Wiring
--	819990	-	Reversing Relay Panel Plug Harness



<u>Illus. No.</u>	<u>Part No.</u>	<u>Qty.</u>	<u>Description</u>
1	882157	6	1/4" Aluminum Tubing (sold by the foot)
2	143287	2	1/4" x 1/8" M.P.T. Tee
3	143259	3	Bulkhead Fitting 1/4" x 1/8" F.P.T.
4	143115	4	1/4" Diameter Poly-Flo Tubing
5	143154	1	1/4" Poly Union



<u>Illus. No.</u>	<u>Part No.</u>	<u>Qty.</u>	<u>Description</u>
1	882302	1	White Exhaust Adapter
	882303	1	Cornflower Blue Exhaust Adapter
	882321	1	Coral Blue Exhaust Adapter
2	881806	5	White 1/4-20 with 3/4 Free Spin Wash Nut
	882313	5	Cornflower Blue 1/4-20 with 3/4 Freespin Wash Nut
	882293	5	Coral Blue 1/4-20 with 3/4 Freespin Wash Nut

