



ML-190 Parts Manual 2001

American Dryer Corporation
88 Currant Road
Fall River, MA 02720-4781
Telephone: (508) 678-9000 / Fax: (508) 678-9447
E-mail: techsupport@amdry.com

www.amdry.com

Retain This Manual In A Safe Place For Future Reference

American Dryer Corporation products embody advanced concepts in engineering, design, and safety. If this product is properly maintained, it will provide many years of safe, efficient, and trouble free operation.

ONLY qualified technicians should service this equipment.

OBSERVE ALL SAFETY PRECAUTIONS displayed on the equipment or specified in the installation manual included with the dryer.

The following “**FOR YOUR SAFETY**” caution must be posted near the dryer in a prominent location.

FOR YOUR SAFETY

Do not store or use gasoline or other flammable vapors and liquids in the vicinity of this or any other appliance.

POUR VOTRE SÉCURITÉ

Ne pas entreposer ni utiliser d'essence ni d'autres vapeurs ou liquides inflammables à proximité de cet appareil ou de tout autre appareil.

We have tried to make this manual as complete as possible and hope you will find it useful. ADC reserves the right to make changes from time to time, without notice or obligation, in prices, specifications, colors, and material, and to change or discontinue models.

Important

For your convenience, log the following information:

DATE OF PURCHASE _____ MODEL NO. **ML-190**
RESELLER'S NAME _____
Serial Number(s) _____

Replacement parts can be obtained from your reseller or the ADC factory. When ordering replacement parts from the factory, you can FAX your order to ADC at (508) 678-9447 or telephone your order directly to the ADC Parts Department at (508) 678-9000. Please specify the dryer model number and serial number in addition to the description and part number, so that your order is processed accurately and promptly.

The illustrations on the following pages may not depict your particular dryer exactly. The illustrations are a composite of the various dryer models. Be sure to check the descriptions of the parts thoroughly before ordering.

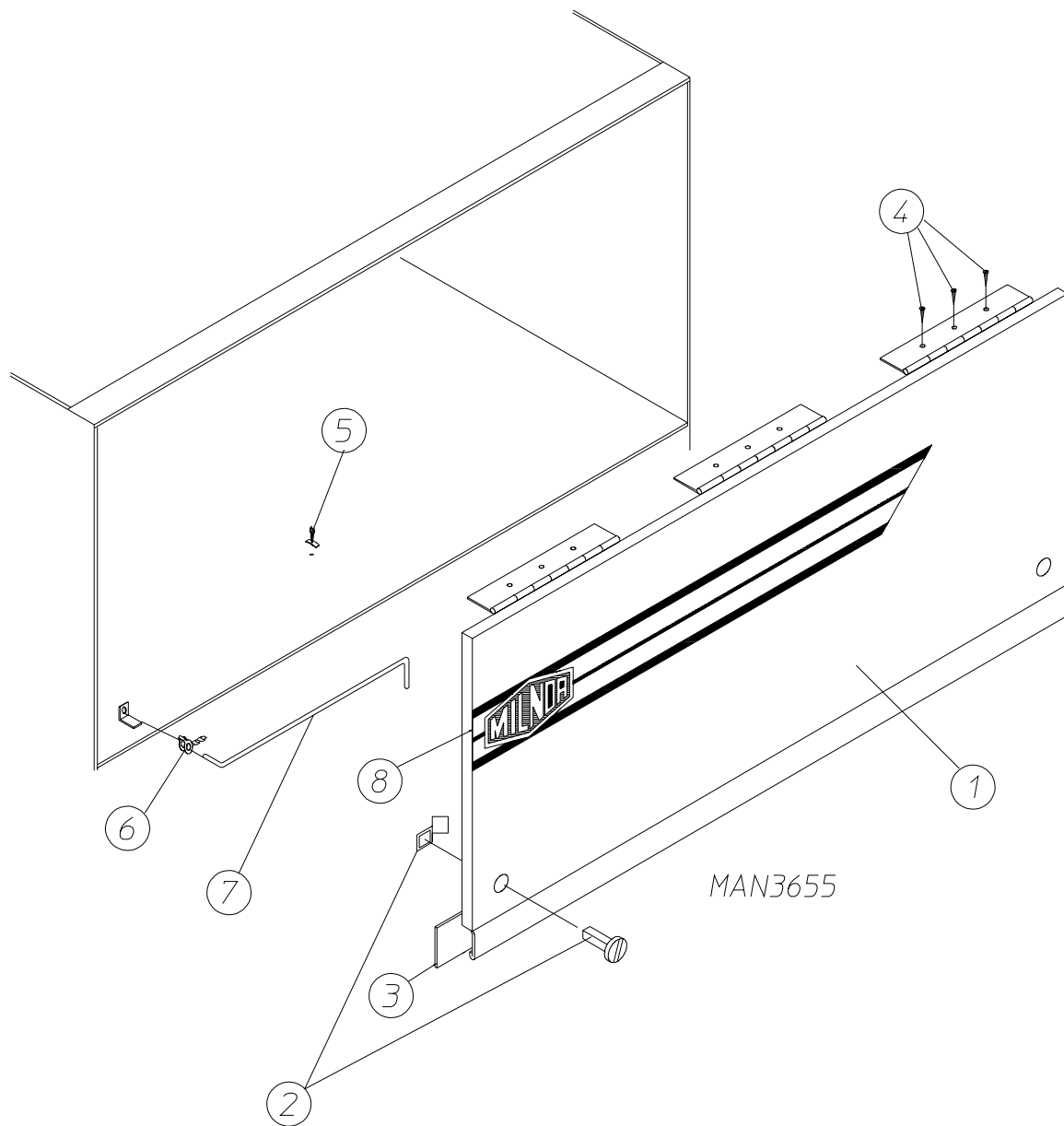
“IMPORTANT NOTE TO PURCHASER”

Information must be obtained from your local gas supplier on the instructions to be followed if the user smells gas. These instructions must be posted in a prominent location near the dryer.

Table of Contents

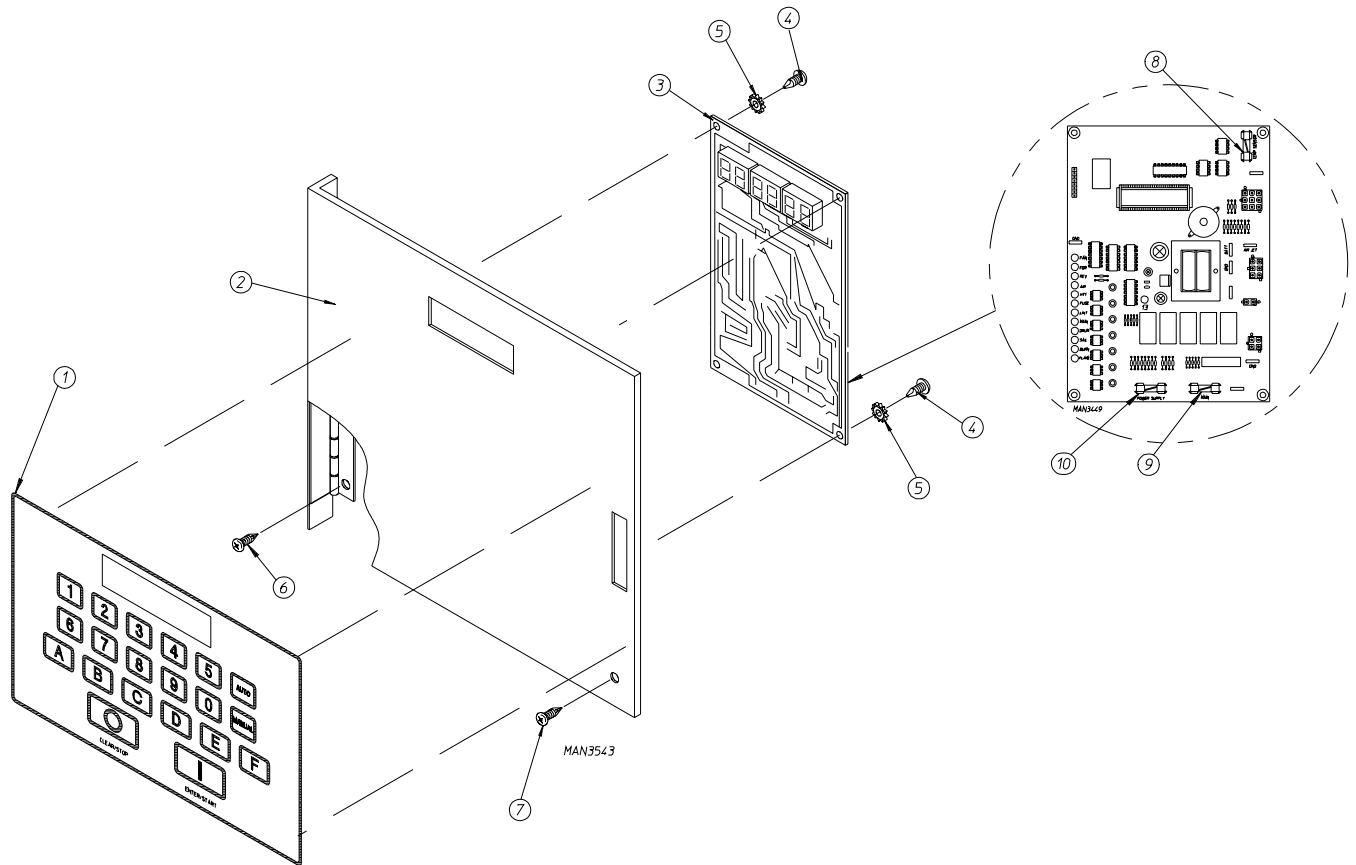
Control Door Assembly	4
Microprocessor Control Panel Assembly	5
Front Panel / Main Door Assemblies	6
Main Door Switch	7
Tumbler Assembly	8
Lint Door Assembly	9
Lint Drawer / Lint Drawer Switch Box Assemblies	10
Rear Wheel and Tumbler Support Assembly for Models Mfd. as of March 31, 2000	11
Tumbler Bearing / Rotational Sensor Assemblies for Models Mfd. prior to March 31, 2000	12
Idler Shaft Assembly	13
Drive Shaft Assembly	14
Speed Reducer Shaft Assembly	15
Microprocessor Temperature Sensor Bracket Assembly	16
Totally Enclosed, Non-Venting Drive Motor Assembly	17
Blower Motor Mount Assembly	18
Fan (Squirrel Cage) Shaft Mount Assembly	19
Direct Spark Ignition Gas Burner Assembly	20
Hot Surface Ignition Burner Assembly	22
Sail Switch Assembly	24
Steam Damper Assembly	25
Top Console Assembly	26
Pneumatic Valve Assembly for Gas Models ONLY	27
Pneumatic Valve Assembly for Steam Models ONLY	28
Air Jet Assembly	29
Microprocessor Reversing Contactor Mounting Panel Assembly	30
Back Guard Assemblies	32

Control Door Assembly



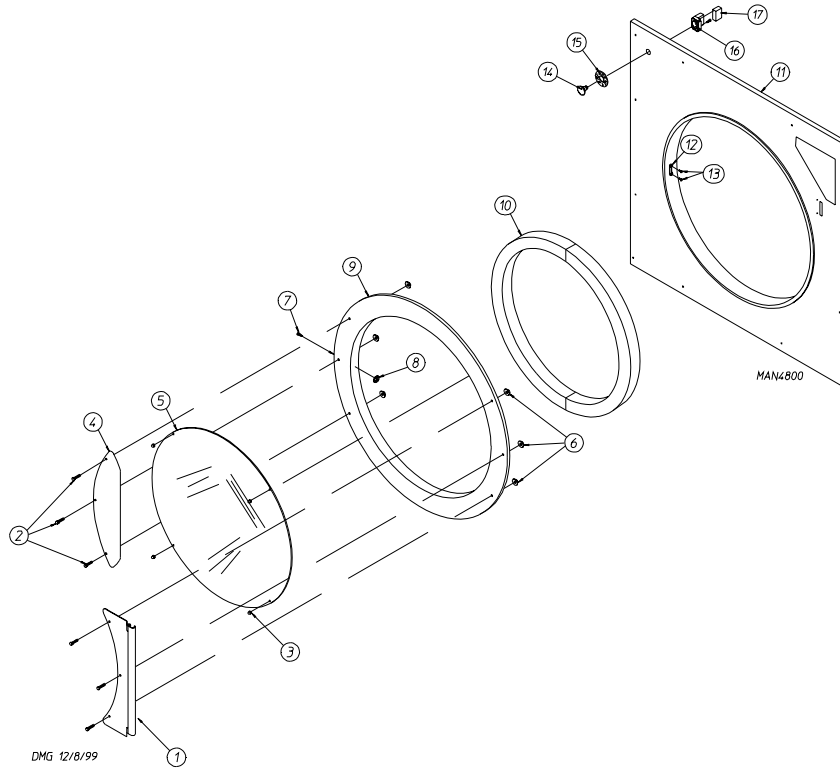
<u>Illus. No.</u>	<u>Part No.</u>	<u>Qty.</u>	<u>Description</u>
1	882439	1	Control Door Assembly (white) (includes illus. nos. 1 and 2)
	882440	1	Control Door Assembly (coral wrinkle blue) (includes illus. nos. 1 and 2)
2	882541	2	Spring Turn Latch (2-piece)
3	117603	5	Noise Suppressor Tape (sold by the foot)
4	150309	9	#10-16 x 1/2" Hex Head TEK Crimptite Screw
5	102603	1	Control Door Support Rod Catch
6	102601	1	Control Door Rod Retainer Clip
7	102505	1	Control Door Support Rod
8	112368	1	Logo ONLY

Microprocessor Control Panel Assembly

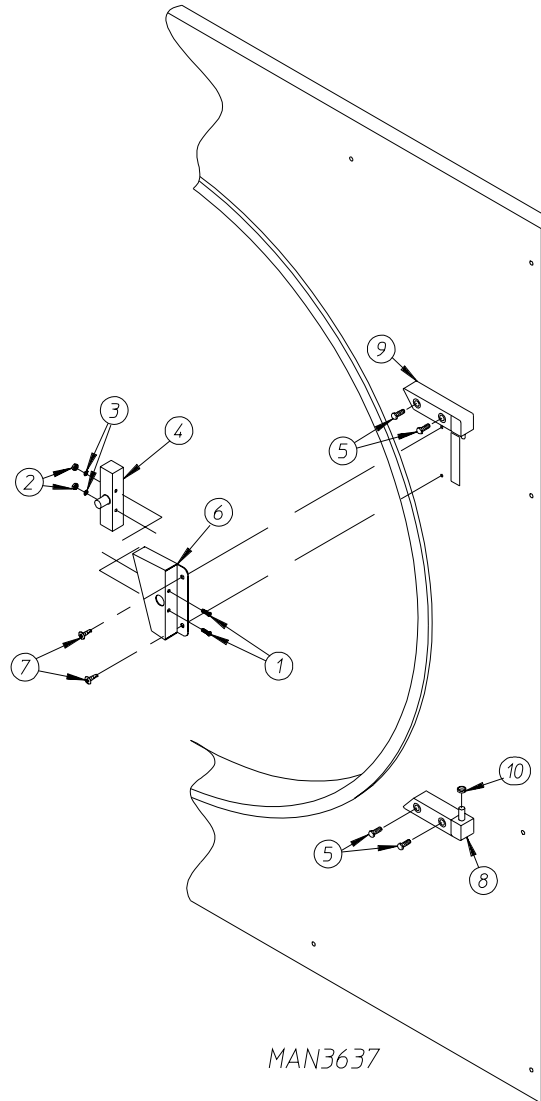


Illus. No.	Part No.	Qty.	Description
1	112537	1	Phase 6 Non-Coin Keypad
	112276	1	Non-Coin Stick-On Label (English ONLY) ... Not Illustrated
	112275	1	Non-Coin Stick-On Label (Spanish, Italian, and Hebrew) ... Not Illustrated
	112277	1	3-Language Non-Coin Stick-On Label (English, Spanish, and Hebrew) ... Not Illustrated
	112278	1	5-Language Non-Coin Stick-On Label (Italian, Dutch, French, German, and Chinese) ... Not Illustrated
2	881635	1	Computer Door Complete (includes illus. nos. 1 through 10)
	881633	1	Computer Door ONLY
3	137124	1	Phase 6 Non-Coin Reversing Microprocessor Controller (with air jet) ONLY
4	150005	2	#6-32 x 1/4" Phillips Round Head Screw
5	153010	2	#6 Star Washer
6	150000	3	#6-32 x 1/4" Slotted Round Head Machine Screw
7	150309	1	#10-16 x 1/2" Hex Head TEK Crimpite Screw
8	136048	1	1/8-Amp (Slo-Blo) Fuse ONLY
9	136017	1	3.15-Amp Fuse ONLY
10	136019	1	1-Amp Fuse ONLY

Front Panel / Main Door Assemblies

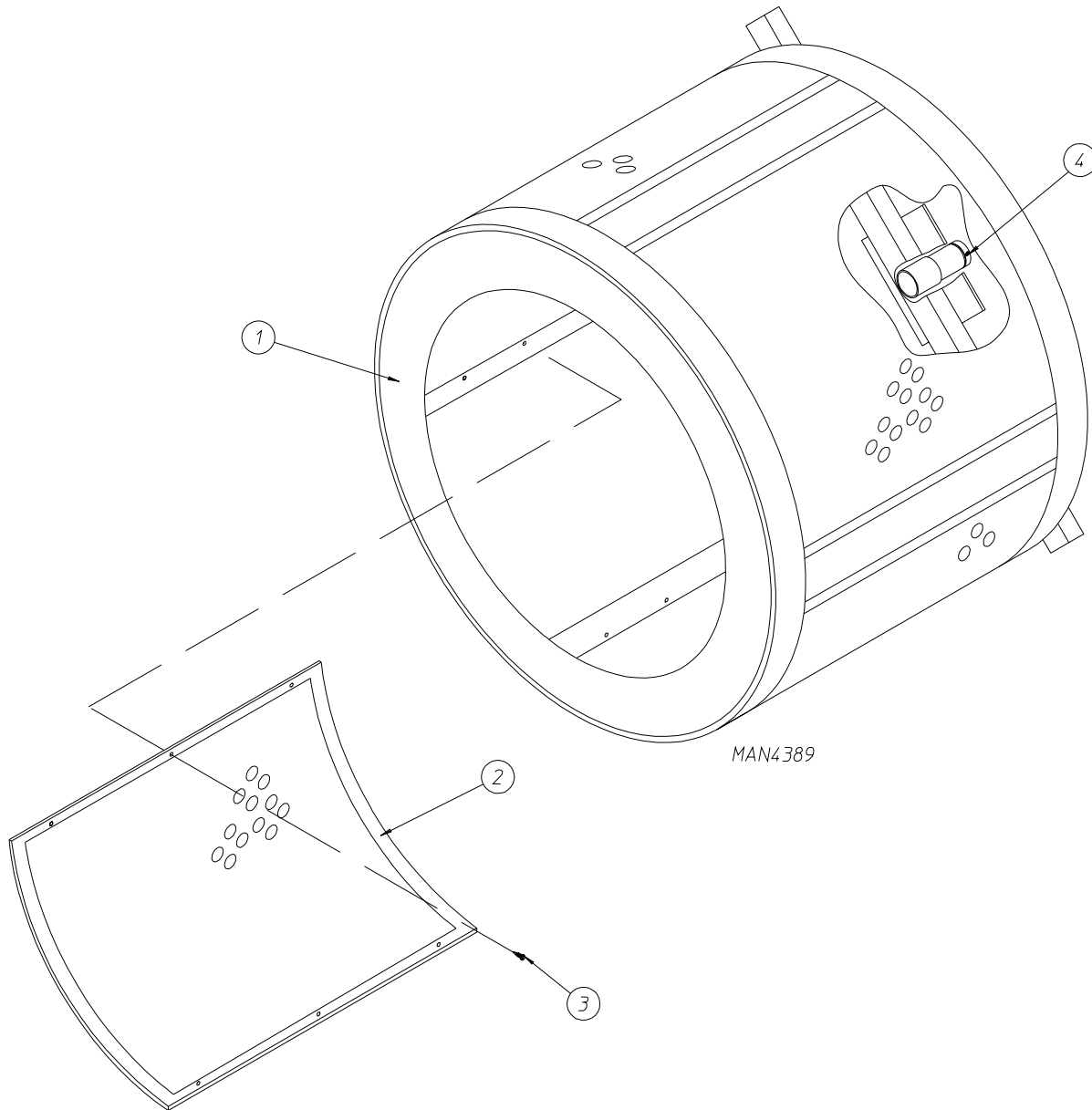


Illus. No.	Part No.	Qty.	Description
1	881685	1	Main Door Hinge (white)
	882296	1	Main Door Hinge (coral wrinkle blue)
2	881740	6	1/4-20 x 5/8" Carriage Bolt (white)
	882339	6	1/4-20 x 5/8" Carriage Bolt (coral wrinkle blue)
3	151012	4	#10-32 Nylon Acorn Nut (white)
4	881688	1	Main Door Handle (white)
5	102214	1	30" Door Glass
	170730	1	Door Glass Adhesive (10.3 oz. cartridge)
6	881806	6	1/4-20 Free Spin Wash Nut (white)
	882293	6	1/4-20 x 5/8" Free Spin Wash Nut (coral wrinkle blue)
7	150120	1	Main Door Latch Screw (#10-32 dome hex head screw)
8	151010	1	#10-32 Acorn Nut
9	881968	1	Main Door Assembly Complete (white) (includes illus. nos. 2 through 10)
	882292	1	Cold Rolled Steel Main Door Assembly (coral wrinkle blue) (includes illus. nos. 2 through 10)
	881966	1	Main Door Ring (white)
	882305	1	Cold Rolled Steel Large Main Door Ring (coral wrinkle blue)
10	102357	1	Extruded Steel Door Gasket
11	882437	1	Front Panel Assembly (white) (includes illus. nos. 1, 12, and 13)
	882438	1	Front Panel Assembly (coral wrinkle blue) (includes illus. nos. 1, 12, and 13)
12	170330	1	Friction Door Latch
13	154215	2	5/32" Pop Rivet
14	122351	1	"EMERGENCY STOP" (E-Stop) Push-Pull Button
15	122419	1	"EMERGENCY STOP" (E-Stop) Nameplate
16	132387	1	Normally Closed (N.C.) Contact Block
17	132395	1	Normally Closed (N.C.) Contact Block with Base

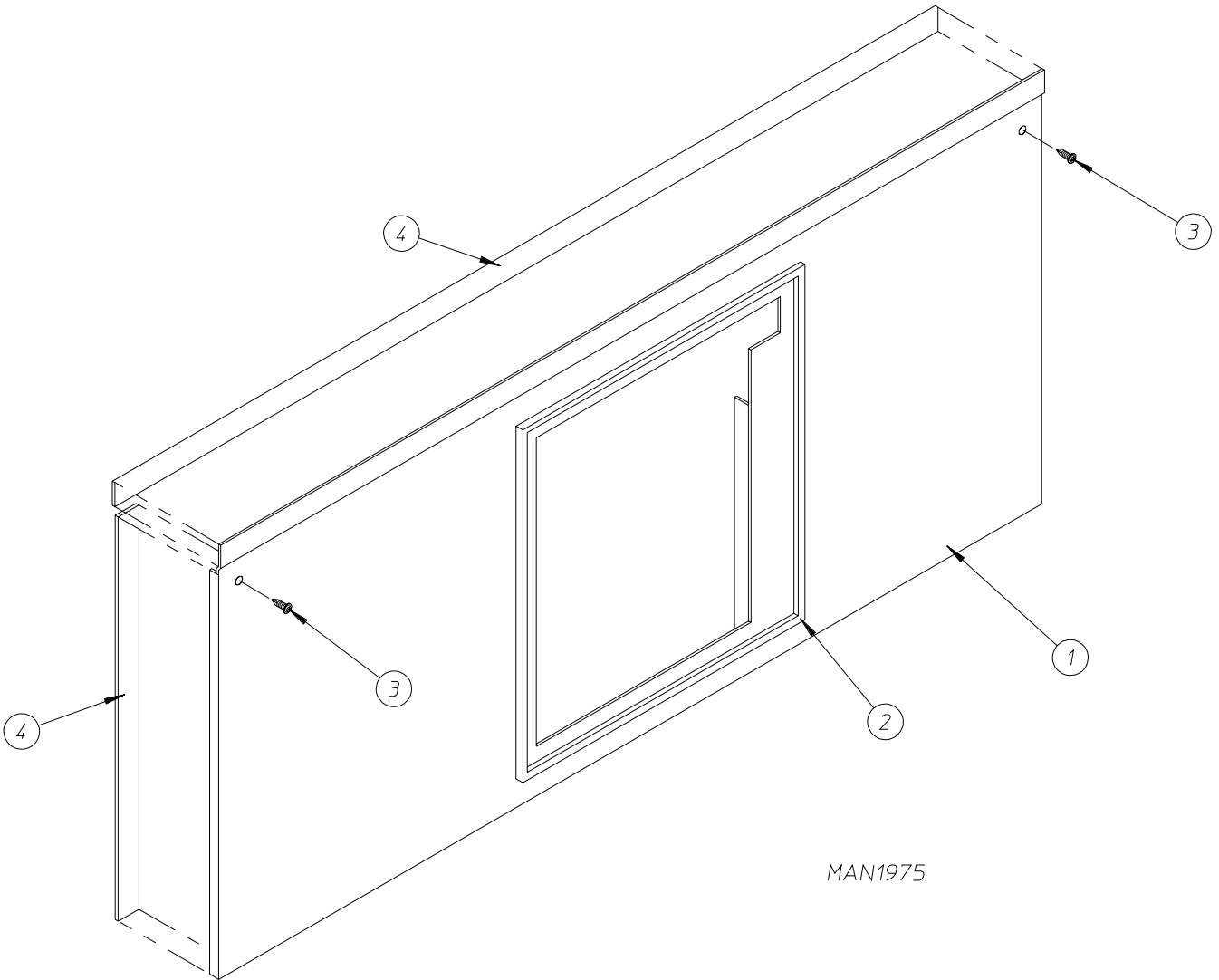


<u>Illus. No.</u>	<u>Part No.</u>	<u>Qty.</u>	<u>Description</u>
1	150006	2	#6-32 x 7/8" Phillips Pan Head Machine Screw
2	152013	2	#6-32 Hex Nut
3	153010	2	#6 Star Washer
4	137005	1	Single-Pole Door Switch
5	150443	4	1/4-20 x 3/4" Stainless Steel Cap Screw
6	881687	1	Main Door Switch Housing ONLY (white)
	882291	1	Main Door Switch Housing ONLY (coral wrinkle blue)
	881702	1	Main Door Switch with Housing Assembly (white) (includes illus. nos. 1 through 4 and 6)
	882298	1	Main Door Switch with Housing Assembly (coral wrinkle blue) (includes illus. nos. 1 through 4 and 6)
7	150201	2	#10-32 x 1/4" Phillips Pan Head Tap Zinc
8	881441	1	Bottom Hinge Block (white)
	882283	1	Bottom Hinge Block (coral wrinkle blue)
9	881440	1	Top Hinge Block (white)
	882284	1	Top Hinge Block (coral wrinkle blue)
10	153031	1	Nylon Washer

Tumbler Assembly

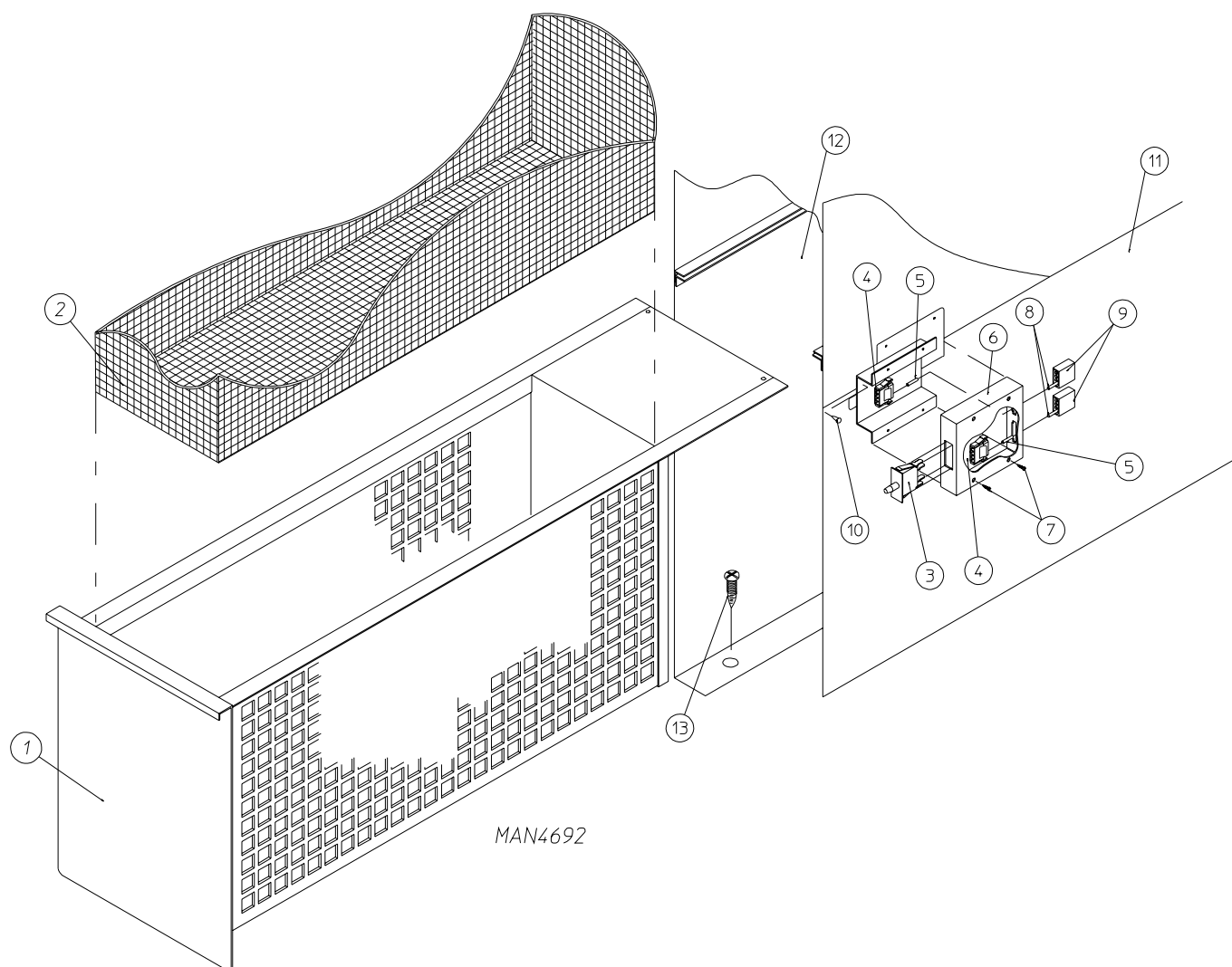


<u>Illus. No.</u>	<u>Part No.</u>	<u>Qty.</u>	<u>Description</u>
1	819042	1	Tumbler Assembly (includes illus. nos. 1 through 3)
2	170156	4	Tumbler Perforated Side
3	150123	48	1/4-20 x 1/4" Socket Button Head Cap Screw
4	881619	1	Rotational Sensor Magnet



Illus. No.	Part No.	Qty.	Description
1	882443	1	Lint Door Assembly (white) (includes illus. nos. 1, 2, and 4)
	882444	1	Lint Door Assembly (coral wrinkle blue) (includes illus. nos. 1, 2, and 4)
2	117605	5	Neoprene Sponge Tape (sold by the foot)
3	150309	5	#10-16 x 1/2" Hex Head TEK Crimptite Screw
4	117604	9	Neoprene Sponge Tape (sold by the foot)

Lint Drawer / Lint Drawer Switch Box Assemblies

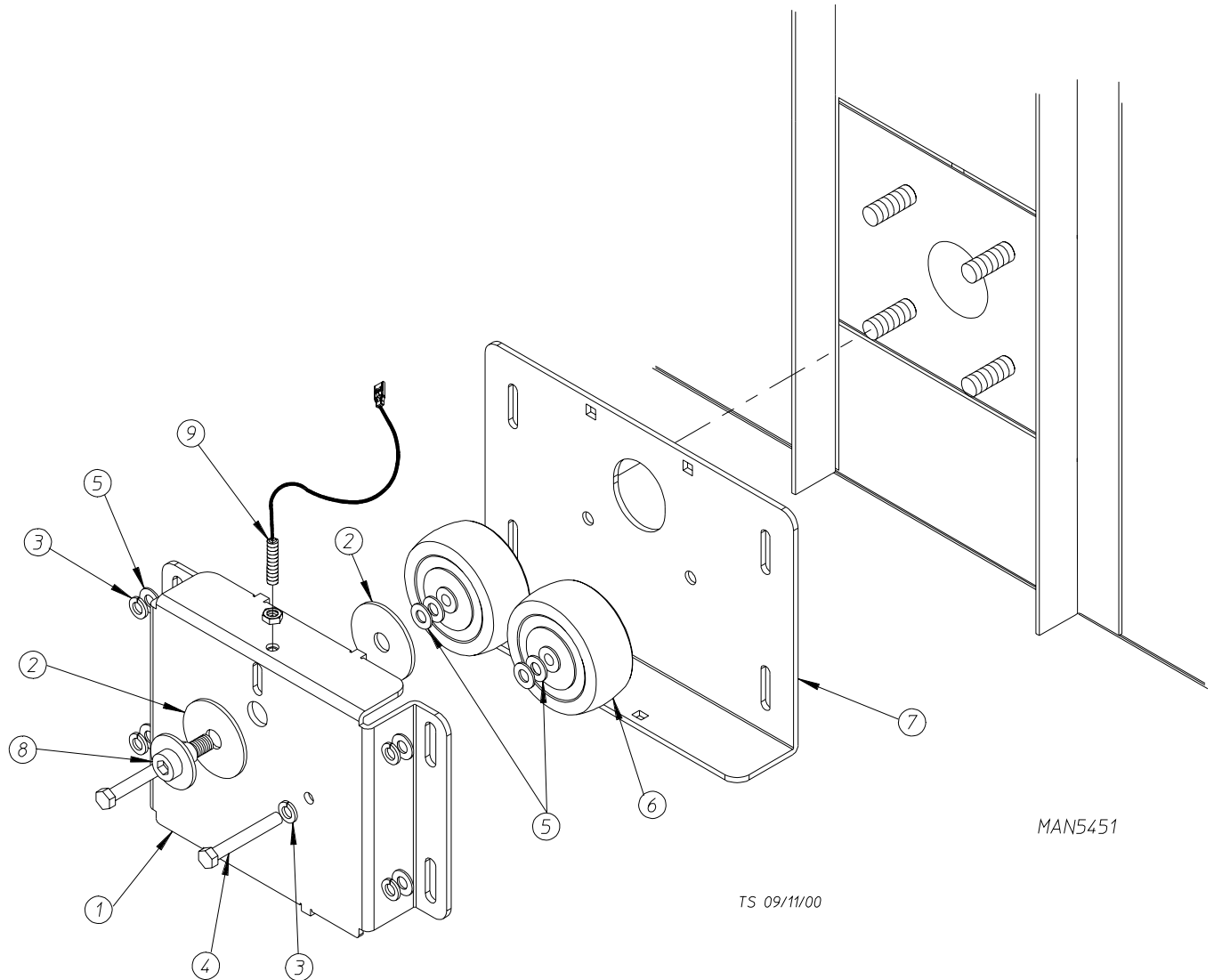


MAN4692

Illus. No.	Part No.	Qty.	Description
1	882449	1	Lint Drawer Assembly Complete (white)
	882450	1	Lint Drawer Assembly Complete (coral wrinkle blue)
2	820925	1	Lint Screen Assembly ONLY
3	122116	1	Lint Drawer Switch ONLY
4	122605	2	4-Pin Socket Connector
5	122701	8	Socket Terminal ONLY
	122801	1	Pin / Socket Extraction Tool
6	835310	1	Lint Drawer Switch Box Assembly Complete (includes illus. nos. 3 through 6)
7	150301	4	#8-18 x 7/16" Phillips Pan Head TEK Screw
8	122700	8	Pin Terminal ONLY
9	122604	2	4-Pin Connector
10	150300	2	#10-16 x 1/2" Hex Washer TEK
11	319076	1	Right Hand Divider Panel
12	319077	1	Left Hand Divider Panel
13	150300	14	#10-16 x 1/2" Hex Washer TEK

Rear Wheel and Tumbler Support Assembly

For Models Mfd. as of March 31, 2000



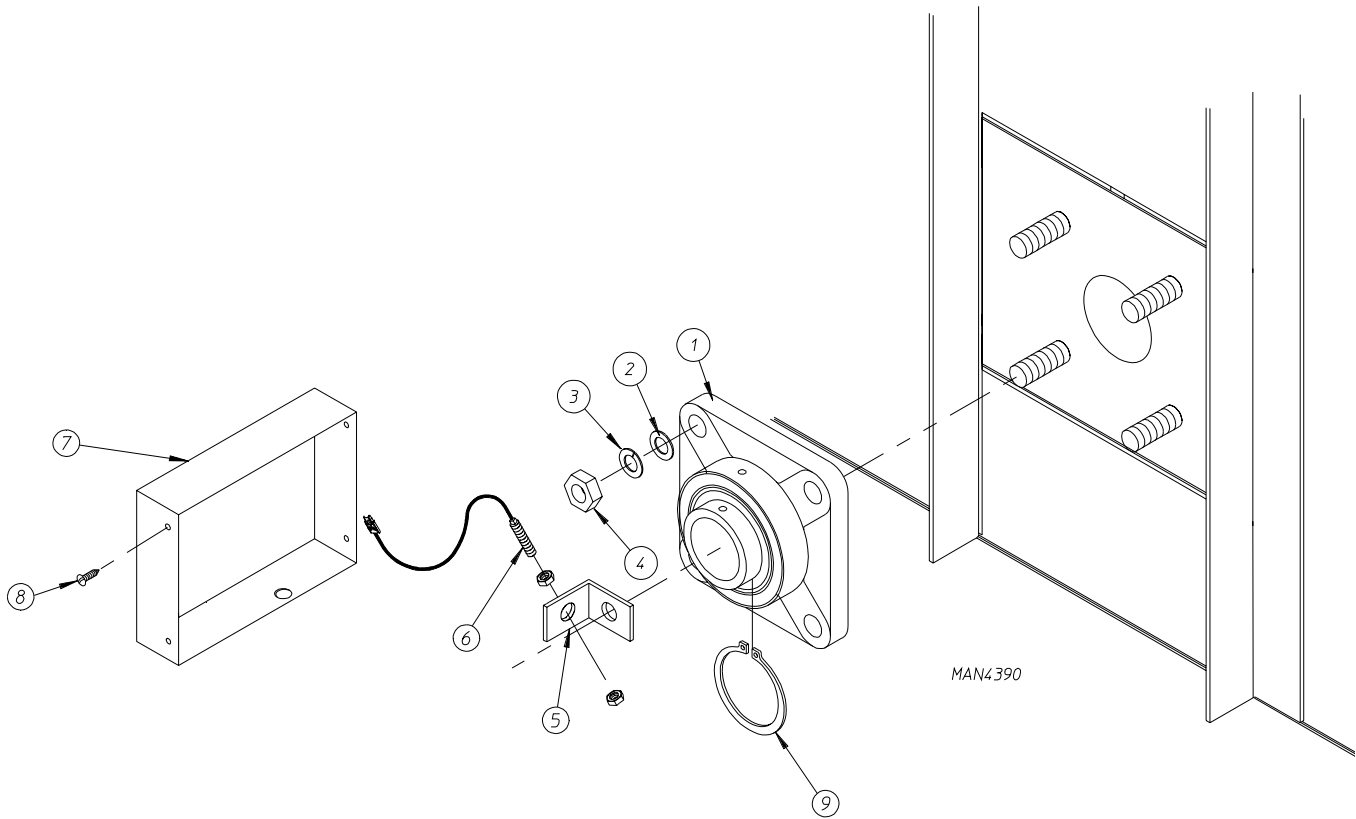
MAN5451

TS 09/11/00

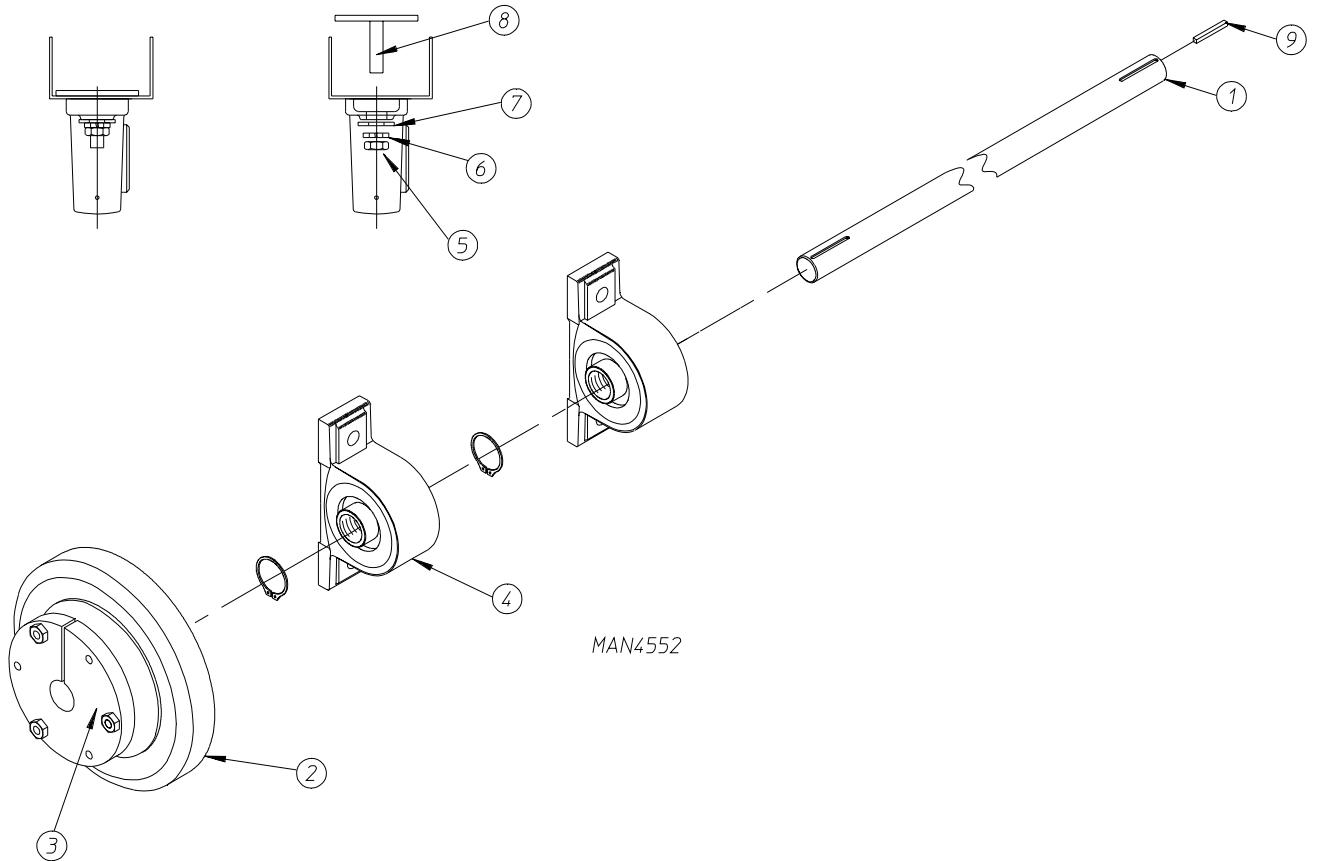
<u>Illus. No.</u>	<u>Part No.</u>	<u>Qty.</u>	<u>Description</u>
1	835339	1	Tumbler Shaft Support Bracket
2	102394	2	1/8" Thick VHMW Polyethylene
3	153005	6	3/8" Split Lock Washer
4	150600	2	3/8" 16 x 1.5 hhmb
5	153004	8	3/8" x 100 Flat Washer
6	180018	2	4" Diameter x 1-1/2" Wide Hi-Impact Wheel
7	819046	1	Tumbler Support Adjustment Plate
8	819065	1	Tumbler Support Shoulder Screw
9	815960	1	Rotational Sensor Assembly

Tumbler Bearing / Rotational Sensor Assemblies

For Models Mfd. prior to March 31, 2000



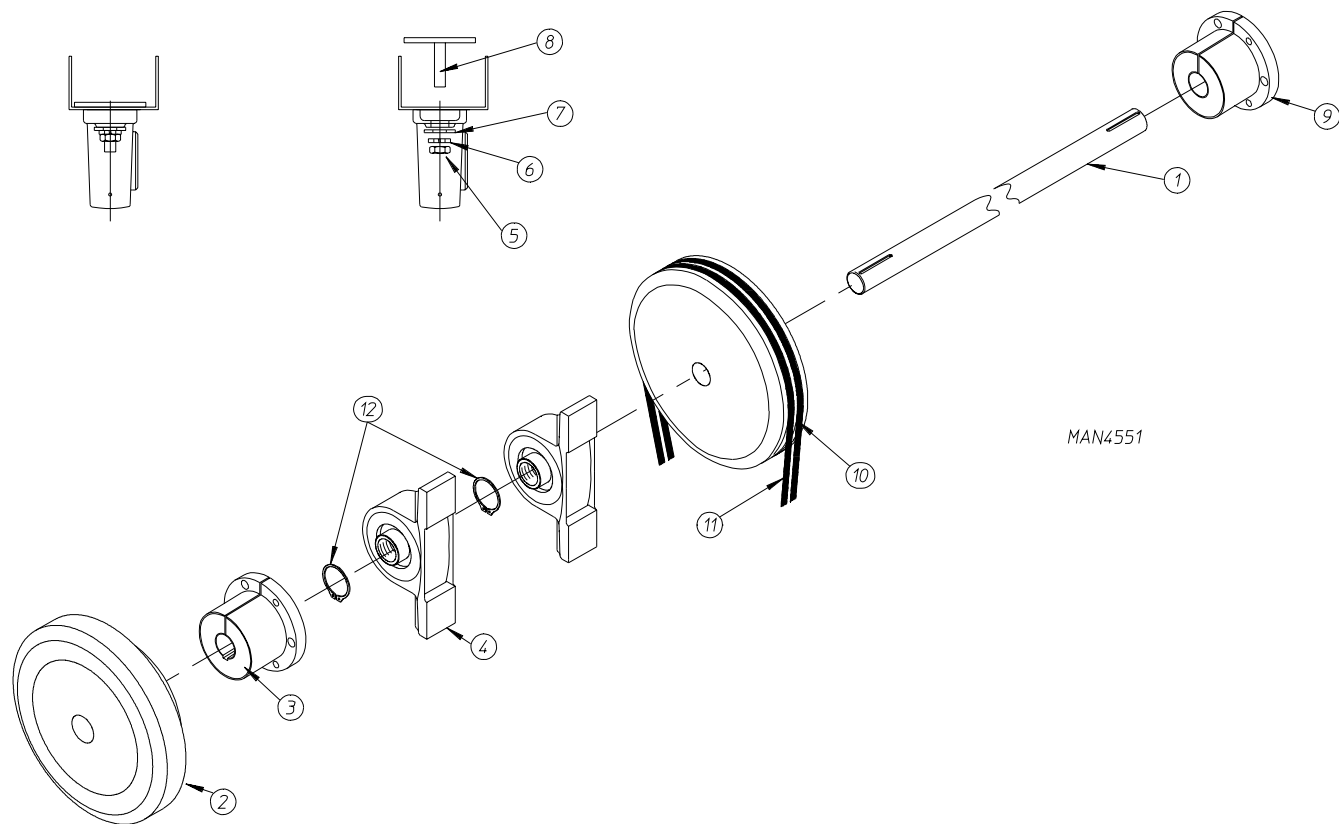
Illus. No.	Part No.	Qty.	Description
1	100244	1	1-15/16" Tumbler Bearing
2	153011	4	9/16" Flat Washer
3	153025	4	9/16" Lock Washer
4	152050	4	9/16-12 Hex Nut
5	319065	1	Rotational Sensor Mounting Bracket
6	815960	1	Rotational Sensor Assembly
7	319016	1	Back Guard
8	150309	4	#10-16 x 1/2" Hex Head TEK Crimptite Screw
9	100817	1	1-15/16" Retaining Ring



MAN4552

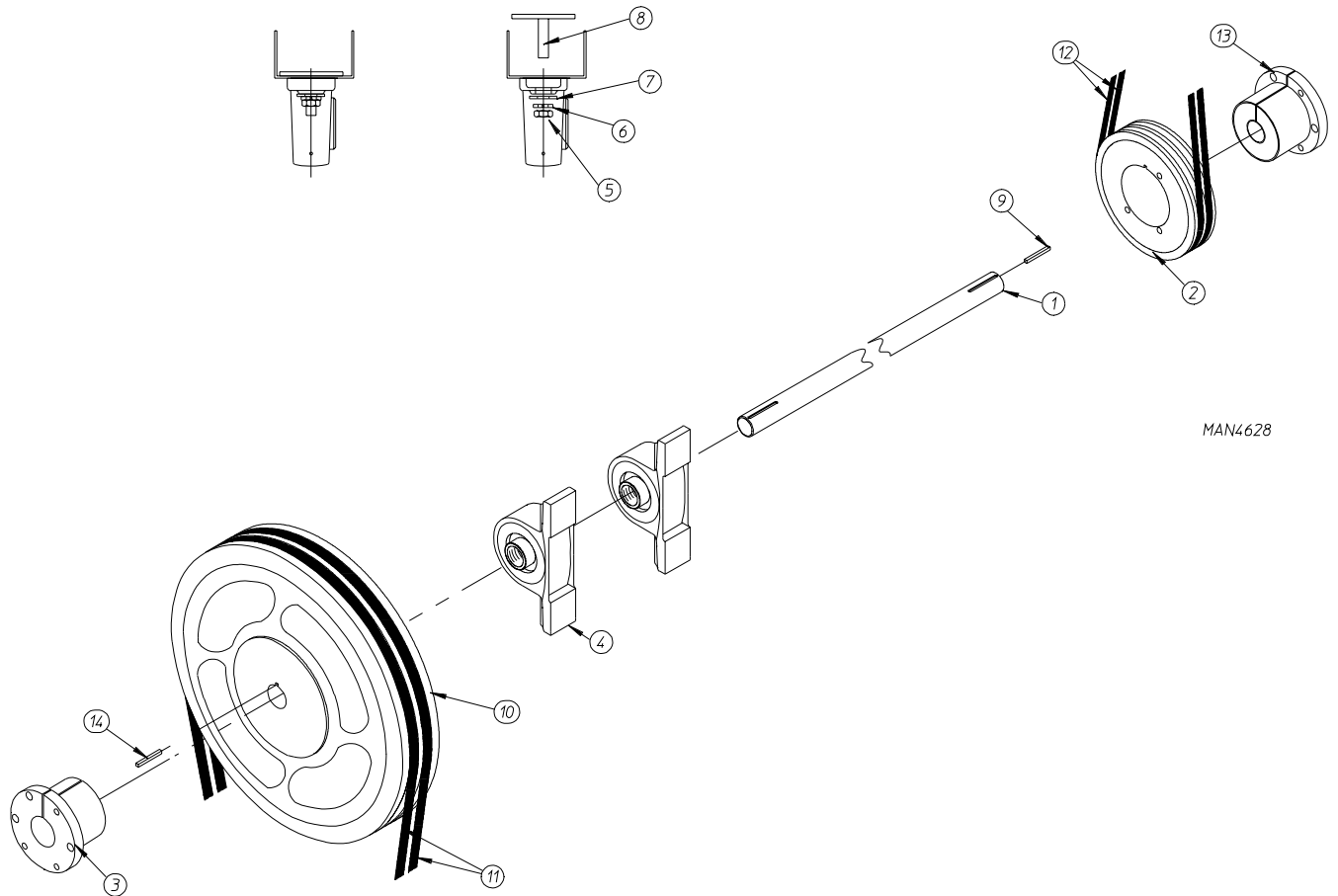
<u>Illus. No.</u>	<u>Part No.</u>	<u>Qty.</u>	<u>Description</u>
1	319062	1	Idler Shaft
	882461	1	Idler Shaft Assembly (includes illus. nos. 1 and 4)
2	821465	1	11" Wheel and Hub
3	101227	1	1-1/2" Taper Lock
4	880217	2	1-1/2" Pillow Block Bearing
5	152011	4	1/2-13 Hex Nut
6	153026	4	1/2" Lock Washer
7	153050	4	1/2" Flat Washer
8	819015	2	Bearing Bolt Plate Assembly
9	100704	1	1/4" x 1/4" x 1-3/4" Key

Drive Shaft Assembly



Illus. No.	Part No.	Qty.	Description
1	319062	1	Tumbler Shaft
	882461	1	Tumbler Shaft Assembly (includes illus. nos. 1 and 4)
2	821465	1	11" Drive Wheel
3	101227	1	1-1/2" Bushing
4	880217	2	1-1/2" Pillow Block Bearing
5	152011	4	1/2-13 Hex Nut
6	153026	4	1/2" Lock Washer
7	153050	4	1/2" x 1-1/16" Flat Washer
8	819015	2	Bearing Backing Plate
9	101150	1	1" Bushing with Setscrew
10	101189	1	2B x 8.0 Pulley
11*	100193	2	BX-45 Cogged Belt
12	100804	2	1-1/2" Retaining Ring

* Replace in matched sets (both belts).

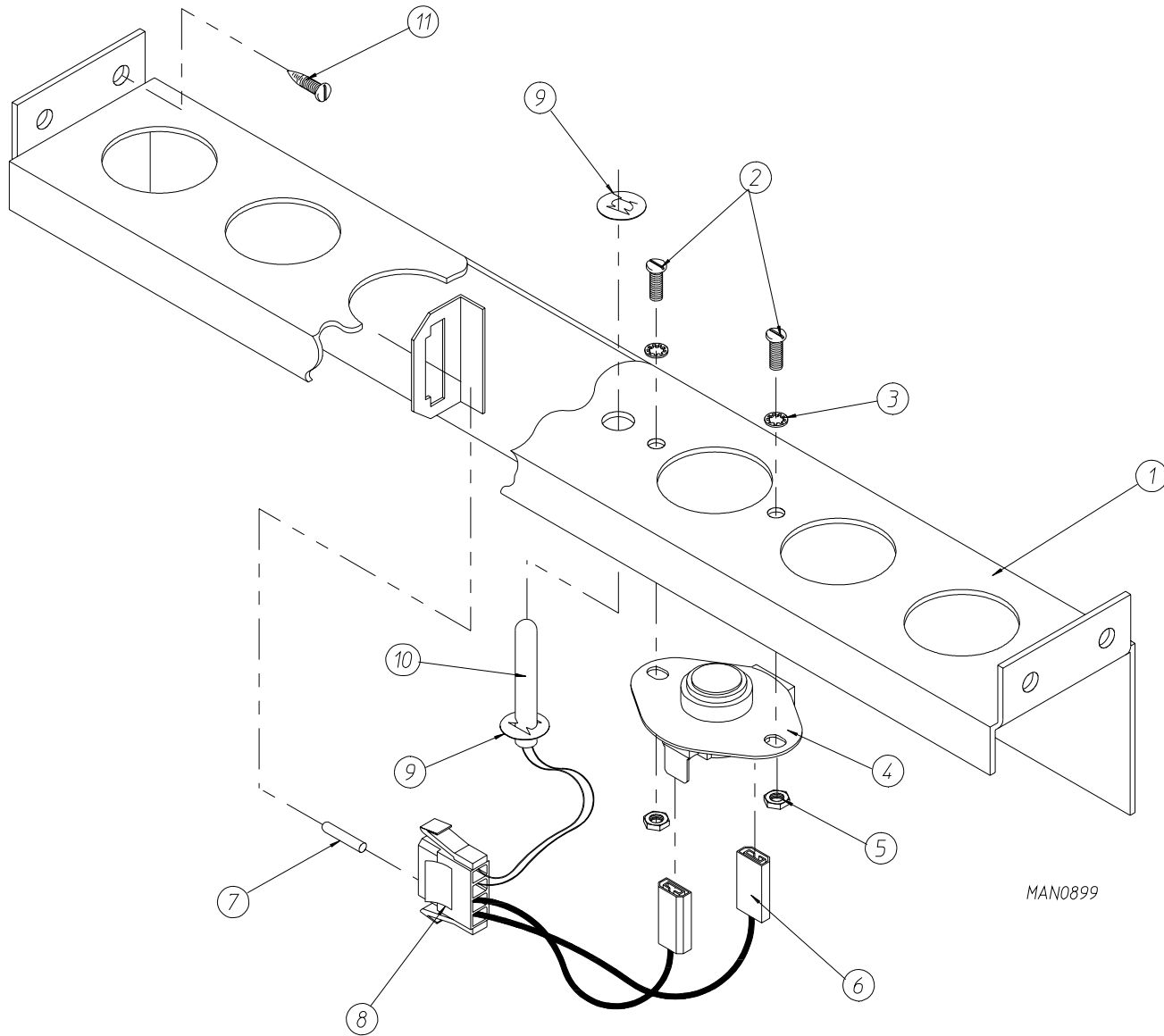


MAN4628

Illus. No.	Part No.	Qty.	Description
1	319062	1	Speed Reducing Shaft
	882461	1	Speed Reducing Shaft Assembly (includes illus. nos. 1 and 4)
2	101160	1	2B x 3.4" Pulley
3	101150	1	1-1/2" Bushing with Setscrew
4	880217	2	1-1/2" Pillow Block Bearing
5	152011	4	1/2-13 Hex Nut
6	153026	4	1/2" Lock Washer
7	153050	4	1/2" Flat Washer
8	819015	2	Bearing Back Up Plate
9	100710	1	3/8" x 3/8" x 3" Key
10	101193	1	2B x 13.6" Pulley
11*	100128	2	BX-50 Belt
12*	100193	2	BX-45 Cogged Belt
13	101230	1	1-1/2" Bushing with Setscrew and Key
14	_____	1	Comes with Bushing P/N: 101230

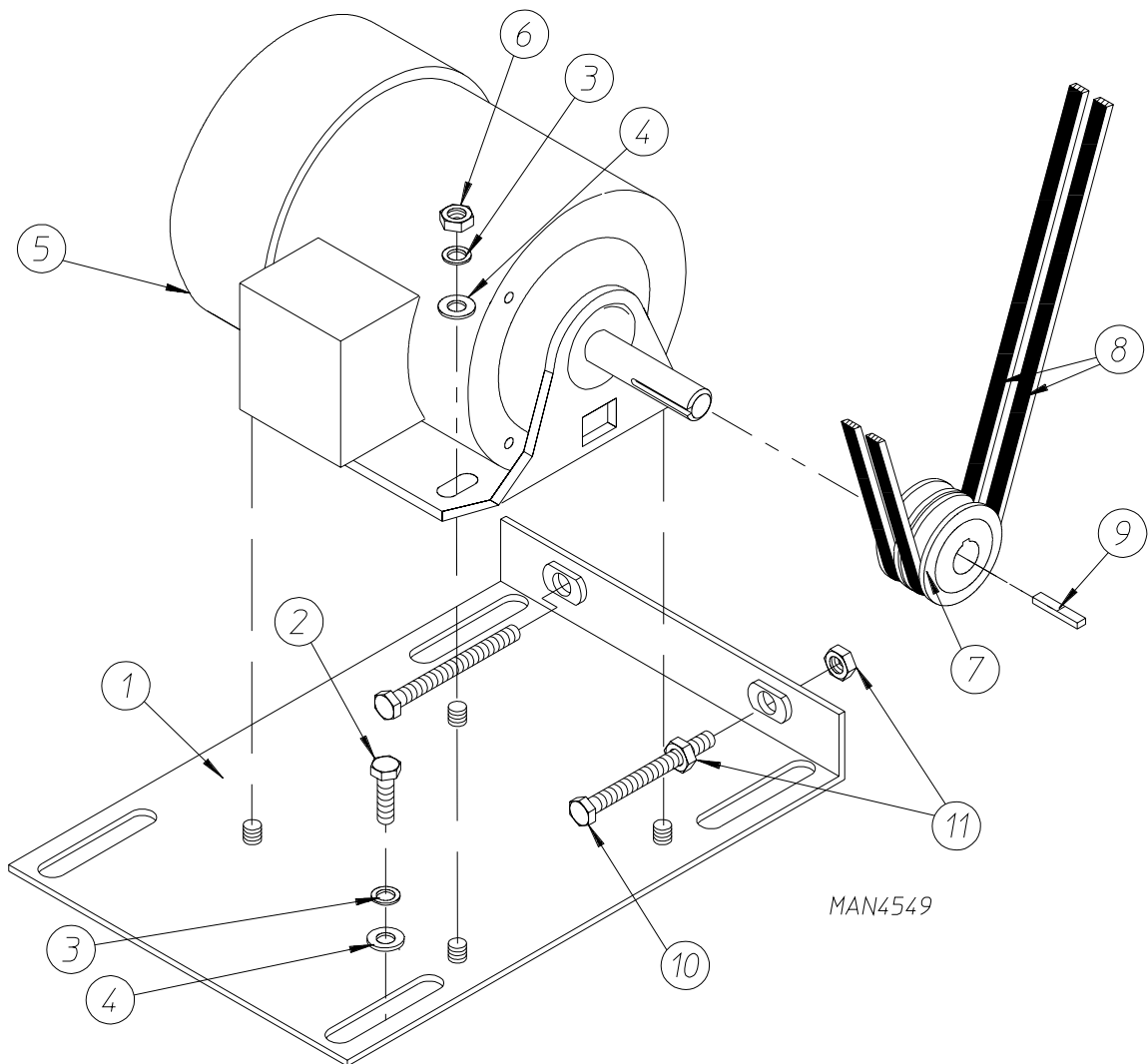
* Replace in matched sets (both belts).

Microprocessor Temperature Sensor Bracket Assembly



Illus. No.	Part No.	Qty.	Description
1	815931	1	Microprocessor Temperature Sensor Bracket Complete (includes illus. nos. 1 through 10)
	820967	1	Microprocessor Temperature Sensor Bracket ONLY
2	150005	2	#6-32 x 1/4" Round Head Machine Screw
3	153010	2	#6 Star Washer
4	130302	1	225° Manual Reset Thermostat ONLY
5	152000	2	#6-32 Hex Nut
6	121028	2	1/4" x .032 Insulated Terminal
7	122701	4	Socket Terminal ONLY
8	122605	1	4-Pin Socket Connector
9	154007	2	1/4" Push-On Fastener
10	880251	1	1/4" Temperature Sensor Probe Assembly (includes illus. nos. 6 through 10)
11	150301	4	#8-18 x 7/16" Phillips Pan Head TEK Screw

Totally Enclosed, Non-Venting Drive Motor Assembly

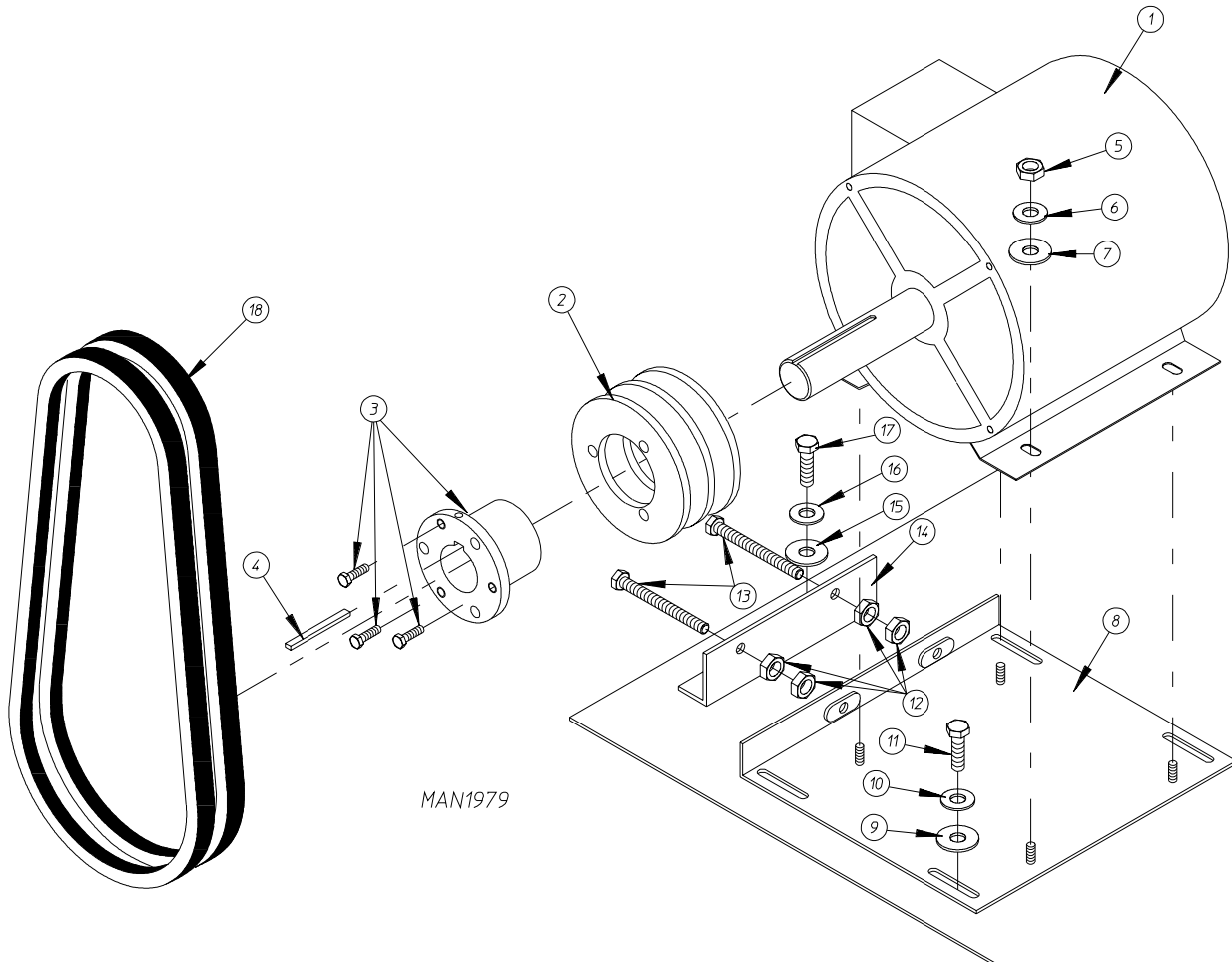


Illus. No.	Part No.	Qty.	Description
1	835297	1	Motor Adjustment Plate
2	150501	4	5/16-18 x 3/4" Hex Head Tap Bolt
3	153002	8	5/16" Lock Washer
4	153001	8	5/16" Flat Washer
5	100043	1	3 hp 208-230/460v (3 ϕ) 60 Hz Totally Enclosed, Non-Venting Motor 380-416v (3 ϕ) 50 Hz Totally Enclosed, Non-Venting Motor
	181019	1	3 hp 575v (3 ϕ) 60 Hz Totally Enclosed, Non-Venting Motor
6	152004	4	5/16" Hex Nut
7	101235	1	2MB35 x 1-1/8" Pulley
	101132	1	5/8" Bore x 2.0" Pulley
8*	100128	2	BX-50 V-Belt
9**	—	1	5/16" Key
10	150619	2	3/8-16 x 3" Tap Bolt
11	152005	4	3/8-16 Hex Nut

* Replace in matched sets (both belts).

** Consult factory.

Blower Motor Mount Assembly

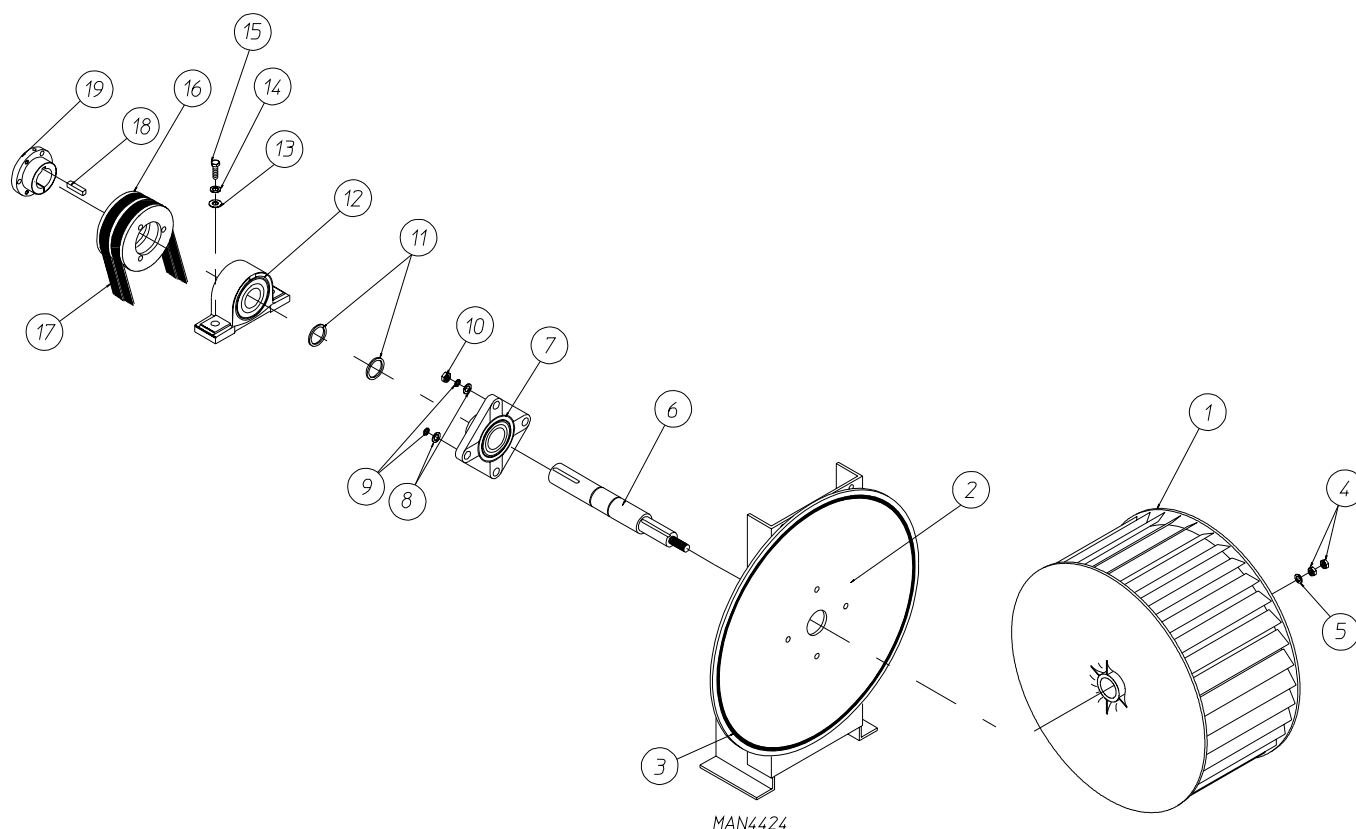


Illus. No.	Part No.	Qty.	Description
1	181030*	1	7-1/2 hp 208-230/460v (3ø) 60 Hz Motor ONLY
	181039	1	7-1/2 hp 575v (3ø) 60 Hz Motor
2	101147	1	2B x 4.0 Motor Pulley (60 Hz Only)
3	101152	1	SH x 1-3/8" Bushing
4	100706	1	5/16" x 5/16" x 1-3/8" Key
5	152004	4	5/16-18 Hex Nut
6	153002	4	5/16" Lock Washer
7	153001	4	5/16" Flat Washer
8	821091	1	Motor Mount Adjustment Plate ONLY
9	153001	4	5/16" Flat Washer
10	153002	4	5/16" Lock Washer
11	150501	4	5/16-18 x 3/4" Hex Head Machine Bolt
12	152004	4	5/16-18 Hex Nut
13	150503	2	5/16-18 x 2" Hex Head Machine Bolt
14	332322	1	Motor Mount Adjustment Angle ONLY
15	153001	2	5/16" Flat Washer
16	153002	2	5/16" Lock Washer
17	150501	2	5/16-18 x 3/4" Hex Head Machine Bolt
18**	100159	2	BX-61 Cogged Belt

* Specify voltage when ordering.

** Replace in matched sets (both belts).

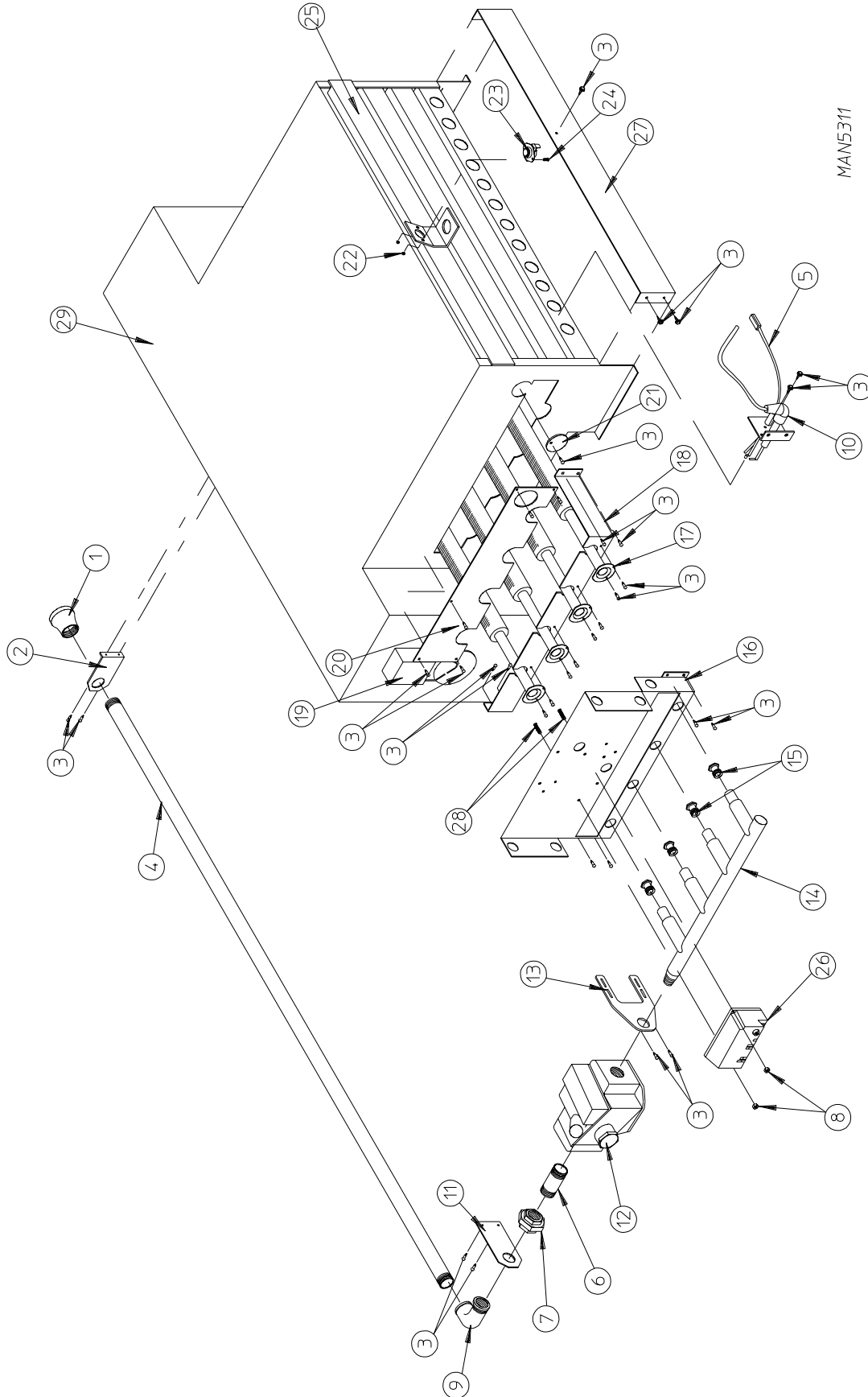
Fan (Squirrel Cage) Shaft Mount Assembly



Illus. No.	Part No.	Qty.	Description
1	100612	1	1-1/4" Bore x 15" Diameter x 6" Blower / Fan (squirrel cage)
2	821078	1	Fan Shaft Mount Assembly Complete (includes illus. nos. 1 through 19)
	821073	1	Fan Shaft Mount ONLY
3	117604	4	Neoprene Sponge Tape (sold by the foot)
4	152006	2	1/2-20 Left Hand Jam Nut
5	153065	1	1/2" Flat Washer
6	882930	1	Fan Shaft Assembly (includes illus. nos. 6 through 12)
7	881061	1	1-3/8" Flange Bearing with Setscrews and Grease Fitting
8	153004	4	3/8" Flat Washer
9	153005	4	3/8" Lock Washer
10	152005	4	3/8-16 Hex Nut
11	100812	2	1-3/8" Retaining Ring
12	880879	1	1-3/8" Pillow Block Bearing ONLY
13	153004	2	3/8" Flat Washer
14	153005	2	3/8" Lock Washer
15	150617	2	3/8-16 x 1" Hex Head Bolt
16	101135	1	2B x 5.4 SDS Pulley (for gas models Only)
17*	100159	2	BX-61 Cogged Belt (fan shaft to blower motor) for 60 Hz Models ONLY
18	100706	1	5/16" x 5/16" x 1-3/8" Key
19	101194	1	SDS x 1-3/8" Bushing ONLY

* Replace in matched sets (both belts).

Direct Spark Ignition Gas Burner Assembly



MAN5311

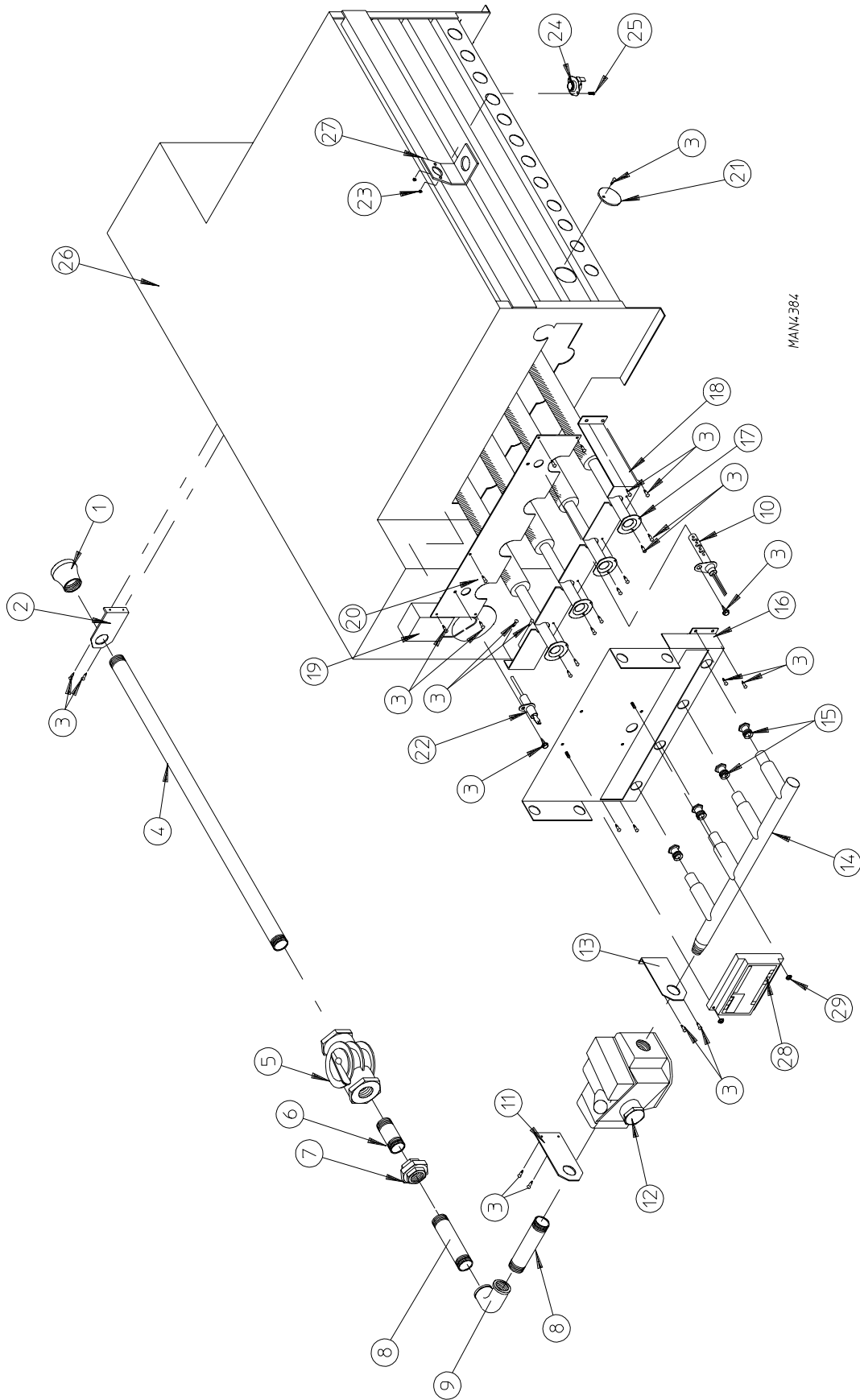
JCARRITA 05/25/00

Direct Spark Ignition Gas Burner Assembly

<u>Illus. No.</u>	<u>Part No.</u>	<u>Qty.</u>	<u>Description</u>
1	142929	1	1-1/2" to 1" Reducing Coupling
2	332117	1	Pipe Bracket
3	150309	33	#10-16 x 1/2" Hex Head TEK Crimptite Screw
4	142583	1	1" x 40" Nipple
5	882537	1	Flame-Probe Wire
6	142808	1	1" x 3" Nipple
7	142602	1	1" Union
8	152013	2	#6-32 Hex Nut
9	142507	1	1" x 90° Street Elbow
10	882451	1	Direct Spark Ignition Ignitor / Flame-Probe with High Voltage Wire
11	332487	1	Gas Pipe Bracket Straight Extended
12	140017	1	1" 24 VAC Redundant Gas Valve (natural gas)
	140018	1	Liquid Propane Conversion Kit for 1" Valve
13	319014	1	Adjustable Gas Pipe Bracket
14	141239	1	1" 4-Port Manifold with 2" Nipple
15*	140840	4	#1 Burner Orifice (natural gas Only)
	140821	4	#28 Burner Orifice (liquid propane Only)
16	390169	1	Direct Spark Ignition Mount Manifold Rest
17	141110	4	Burner Tube
18	332121	1	Burner Tube Support
19	802801	1	Sail Switch (refer to Sail Switch Assembly on page 24)
20	332113	1	Burner Box Cover Plate
21	331290	1	Ignitor / Flame-Probe Sight Hole Disc
22	151000	2	#6-32 Pal Nut
23	130201	1	330° Manual Reset Hi-Limit ONLY
24	150005	2	#6-32 x 1/4" Round Head Machine Screw
25	821457	1	Burner Hi-Limit Bracket
26	128935	1	Johnson Direct Spark Ignition Module (3 tries)
27	332256	1	Large Dryer Liquid Propane Burner Baffle (liquid propane models Only)
28	153562	2	#6-32 x 3/4" Clinch Stud
29	819066	1	Burner Assembly Complete (natural gas Only)
	819067	1	Burner Assembly Complete (liquid propane gas Only)
	820904	1	Burner Box ONLY

* Consult factory for elevations over 2,000 feet.

Hot Surface Ignition Burner Assembly



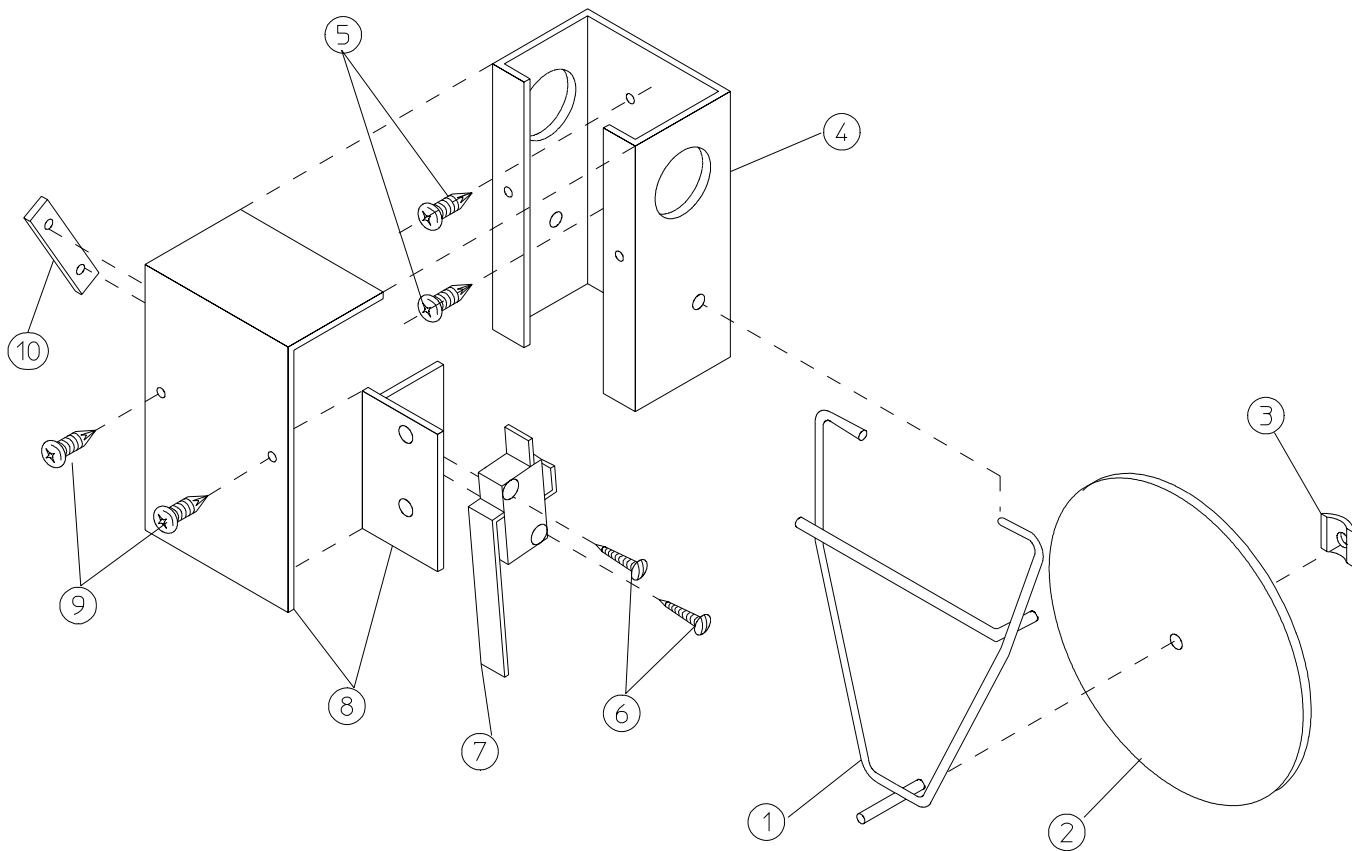
Hot Surface Ignition Burner Assembly

<u>Illus. No.</u>	<u>Part No.</u>	<u>Qty.</u>	<u>Description</u>
1	142929	1	1-1/2" to 1" Reducing Coupling
2	332117	1	Pipe Bracket
3	150309	33	#10-16 x 1/2" Hex Head TEK Crimptite Screw
4	142817	1	1" x 28-1/2" Pipe
5	141302	1	1" Union Shutoff
6	142724	1	1" x 2" Nipple
7	142602	1	1" Union
8	142581	2	1" x 5" Nipple
9	142548	1	1" x 90° Elbow
10	881597	1	Hot Surface Ignitor
11	332487	1	Gas Valve Pipe Bracket
12	140017	1	1" x 1" 24 VAC Redundant (natural gas) Gas Valve ONLY
	140018	1	Liquid Propane Conversion for 1" Valve
13	319014	1	Gas Valve Pipe Bracket
14	141239	1	4-Port Manifold ONLY
15*	140840	4	#1 Burner Orifice (natural gas) ONLY
	140821	4	#28 Burner Orifice Liquid Propane Gas ONLY
16	390169	1	Hot Surface Ignition Module Mounting Bracket / Manifold Rest
17	141110	4	Burner Tube ONLY
18	332121	1	Burner Tube Support ONLY
19	-----	1	Sail Switch (refer to Sail Switch Assembly on page 24)
20	390170	1	Hot Surface Ignition Burner Box Cover Plate ONLY
21	331290	1	Sight Hole Disc ONLY
22	128921	1	Hot Surface Ignition Flame Sensor
23	151000	2	#6-32 Pal Nut
24	130201	1	330° Manual Reset Hi-Limit ONLY
25	150005	2	#6-32 x 1/2" Phillips Round Head Machine Screw
26	835152**	1	Natural Gas Burner Assembly Complete Less Orifices (includes illus. nos. 1 through 29)
	819062	-	Liquid Propane Burner Assembly Complete Less Orifices (includes illus. nos. 1 through 29)
	820904	1	Burner Box ONLY
27	821457	1	Hi-Limit Mounting Bracket ONLY
28	881797	1	Hot Surface Ignition Module II
29	151001	2	#8-32 Pal Nut

* Consult factory for elevations over 2,000 feet.

** Orifices are not included and must be ordered separately.

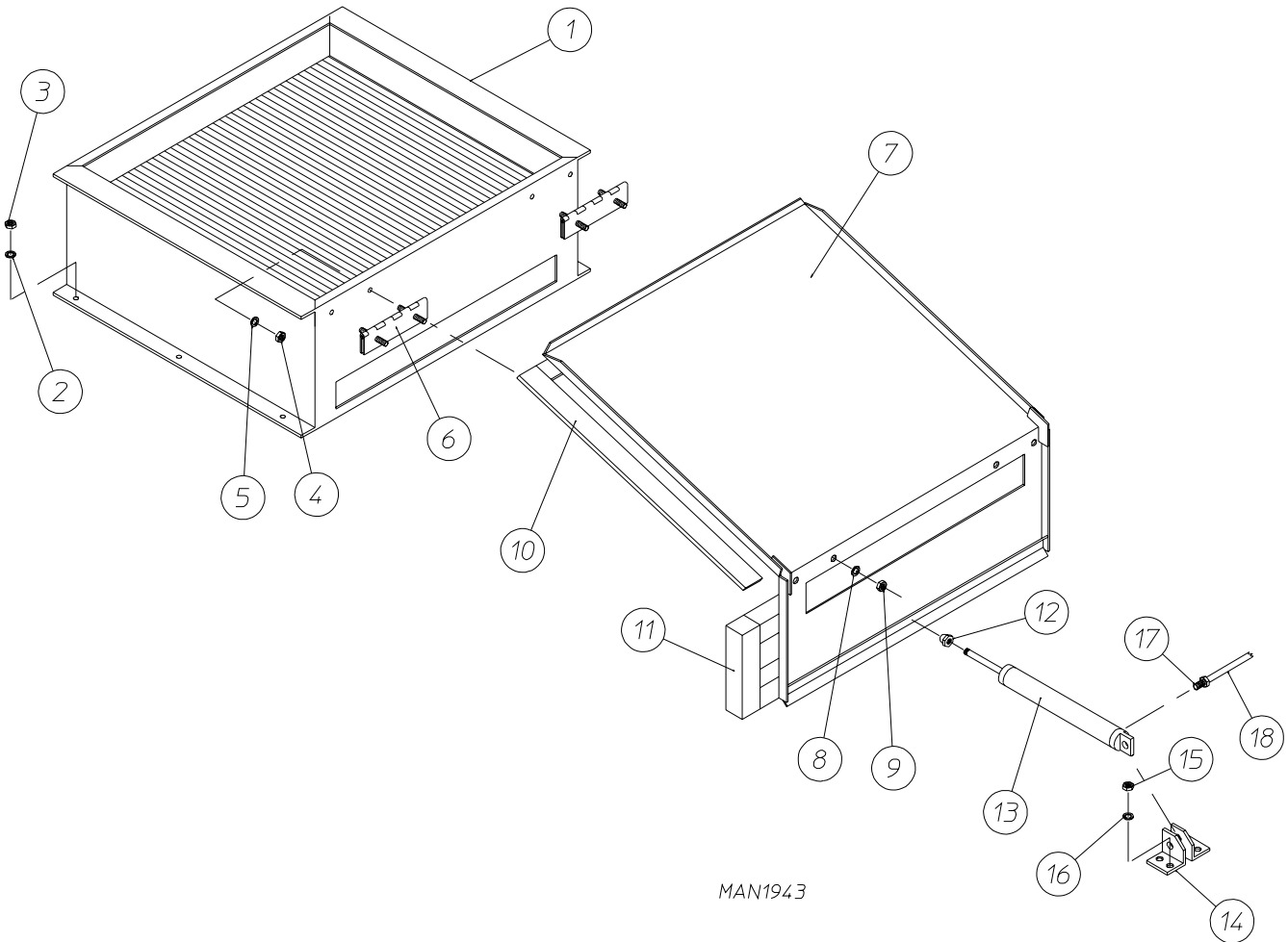
Sail Switch Assembly



MAN0440

<u>Illus. No.</u>	<u>Part No.</u>	<u>Qty.</u>	<u>Description</u>
1	105500	1	Sail Switch Actuator Rod
2	319202	1	Sail Switch Damper (flat)
3	154002	1	1/8" Push-On Fastener
4	802800	1	Sail Switch Box with Cover and Bracket ONLY
	802801	1	Sail Switch Box Assembly Complete (includes illus. nos. 1 through 4 and 6 through 10)
5	150300	2	#10-16 x 1/2" Hex Washer
6	150303	2	#4 x 3/4" Pan Head "A" Machine Screw
7	122200	1	Sail Switch ONLY
8	802799	1	Sail Switch Box Cover and Bracket ONLY
9	150309	2	#10-16 x 1/2" Hex Head TEK Crimptite Screw
10	154004	1	Twin Speed Nut

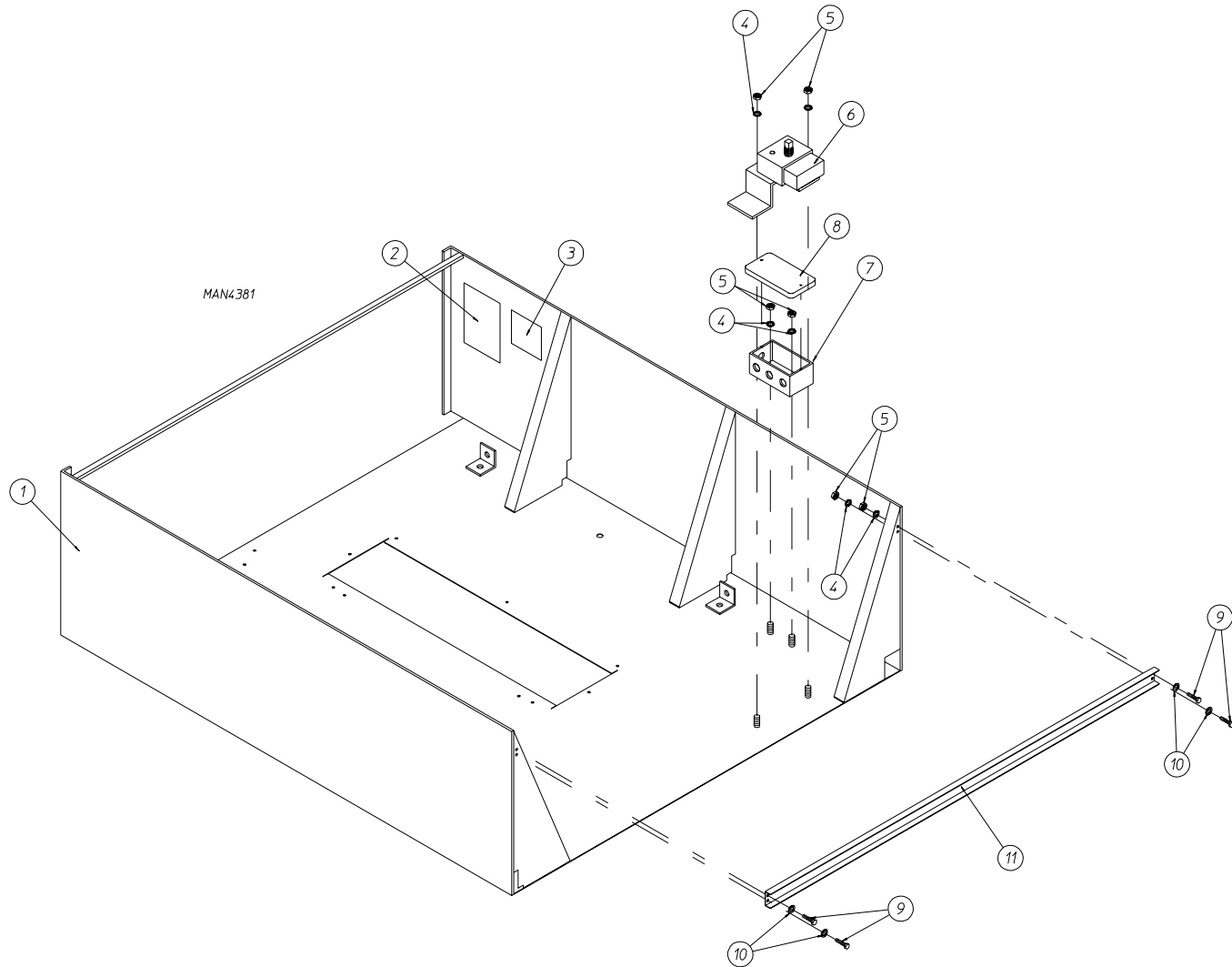
Steam Damper Assembly



MAN1943

Illus. No.	Part No.	Qty.	Description
1	165017	1	Steam Coil ONLY
2	153002	6	5/16" Lock Washer
3	152004	6	5/16-18 Hex Nut
4	152002	4	1/4-20 Hex Nut
5	153007	4	1/4" Lock Washer
6	820321	2	Steam Damper Hinge Assembly
7	820994	1	Steam Damper Assembly (includes illus. nos. 7, 10, and 11)
8	153007	4	1/4" Lock Washer
9	152002	4	1/4-20 Hex Nut
10	115995	96	Steam Damper Gasket (sold by the inch)
11	102350	2	Steam Damper Foam (68-1/2" length)
12	151007	1	7/16-20 Stainless Steel Acorn Nut
13	100499	1	1-1/2" Bore x 3" Stroke Piston
14	100500	1	Piston Support Bracket
15	152002	4	1/4-20 Hex Nut
16	153007	4	1/4" Lock Washer
17	100472	1	1/4" x 1/8" Connector
18	143110	1	1/4" Tubing (sold by the foot)

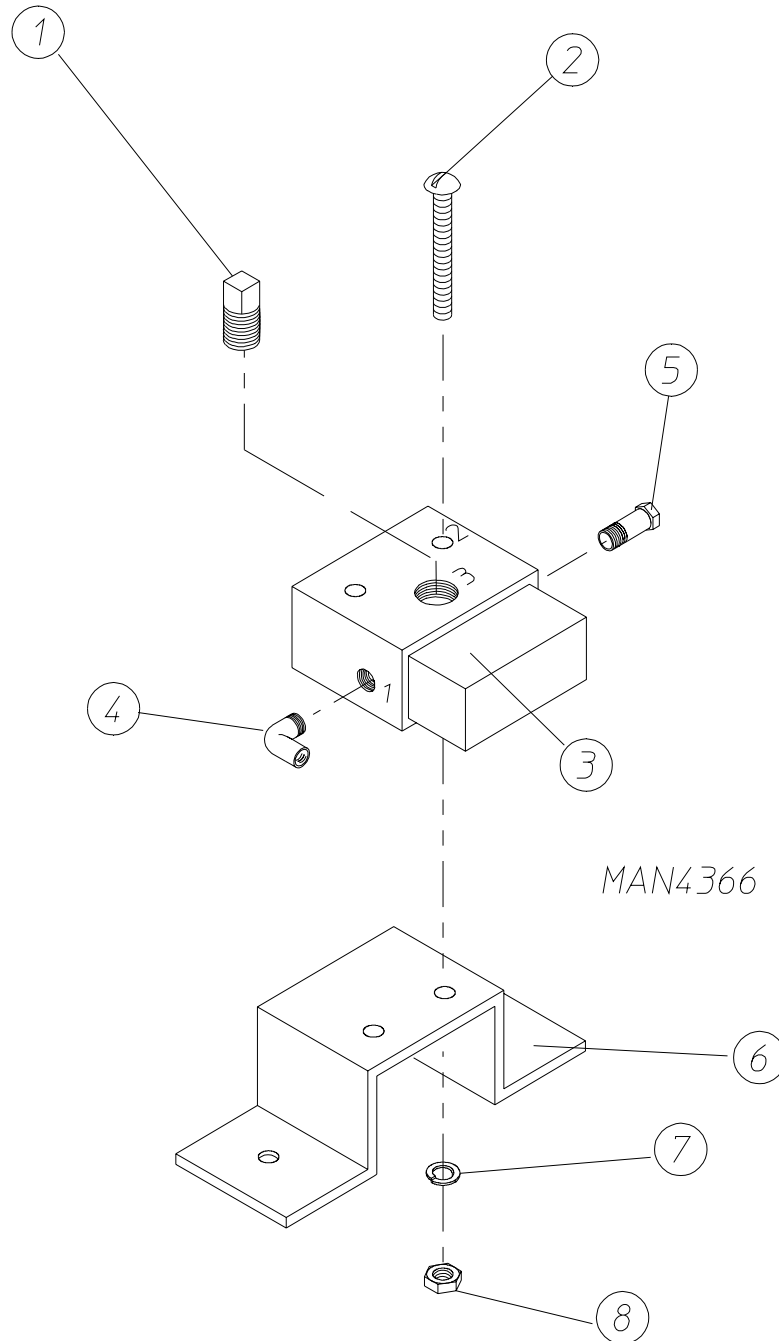
Top Console Assembly



Illus. No.	Part No.	Qty.	Description
1	882447	1	Top Console Assembly ONLY (white) for Gas Models ONLY
	882448	1	Top Console Assembly ONLY (coral wrinkle blue) for Gas Models ONLY
	882445	1	Top Console Assembly ONLY (white) for Steam Models ONLY
	882446	1	Top Console Assembly ONLY (coral wrinkle blue) for Steam Models ONLY
2	112284	1	"Phase 6 OPL Program Location Summary" Label
3	_____	1	Dryer Data Label (not for resale by ADC)
4	153007	8	1/4" Lock Washer
5	152005	8	1/4-20 Hex Nut
6	821105	1	Pneumatic Valve Assembly ONLY for Gas Models ONLY (refer to Pneumatic Valve Assembly on page 27)
	821104	1	Pneumatic Valve Assembly ONLY for Steam Models ONLY (refer to Pneumatic Valve Assembly on page 28)
7	121104	1	2" x 4" Junction Box ONLY
8	121105	1	Junction Box Cover ONLY
9	150615	4	1/4-20 x 3/4" Bolt
10	153018	4	1/4" Flat Washer
11	332186	1	Control Door Hinge Channel

Pneumatic Valve Assembly

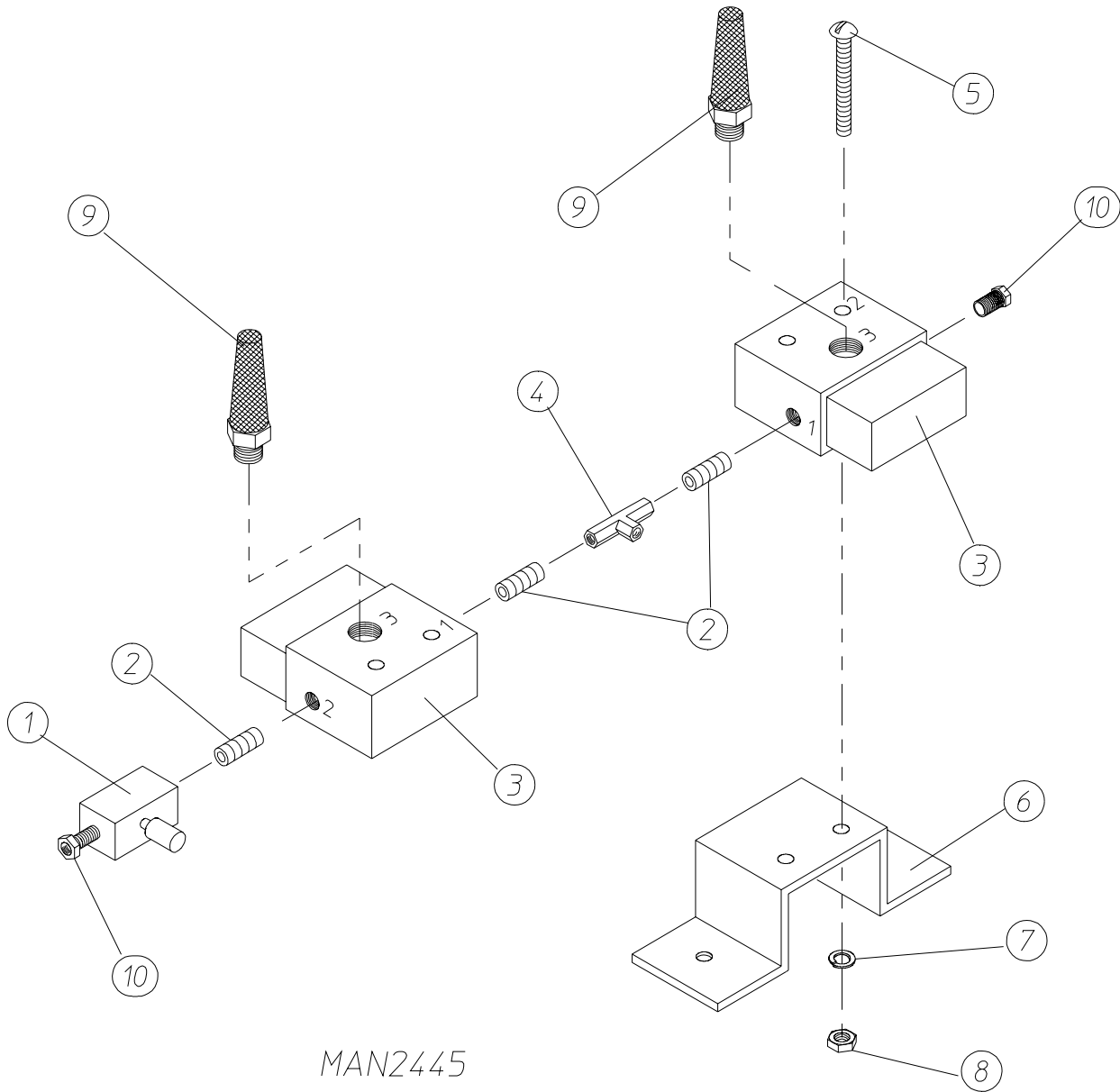
For Gas Models ONLY



Illus. No.	Part No.	Qty.	Description
1	143250	1	1/8" M.P.T. Brass Plug
2	150002	1	#6-32 x 1" Slotted Machine Screw
3	100498	1	3-Way Micro Valve ONLY – 24 VAC
	821105	1	Pneumatic Valve Assembly Complete (includes illus. nos. 1 through 8)
4	143149	1	1/4" Poly x 1/8" M.P.T. Elbow
5	100472	1	1/4" x 1/8" Connector
6	330987	1	Micro Valve Support Bracket ONLY
7	153010	1	#6 Star Washer
8	152000	1	#6-32 Hex Nut

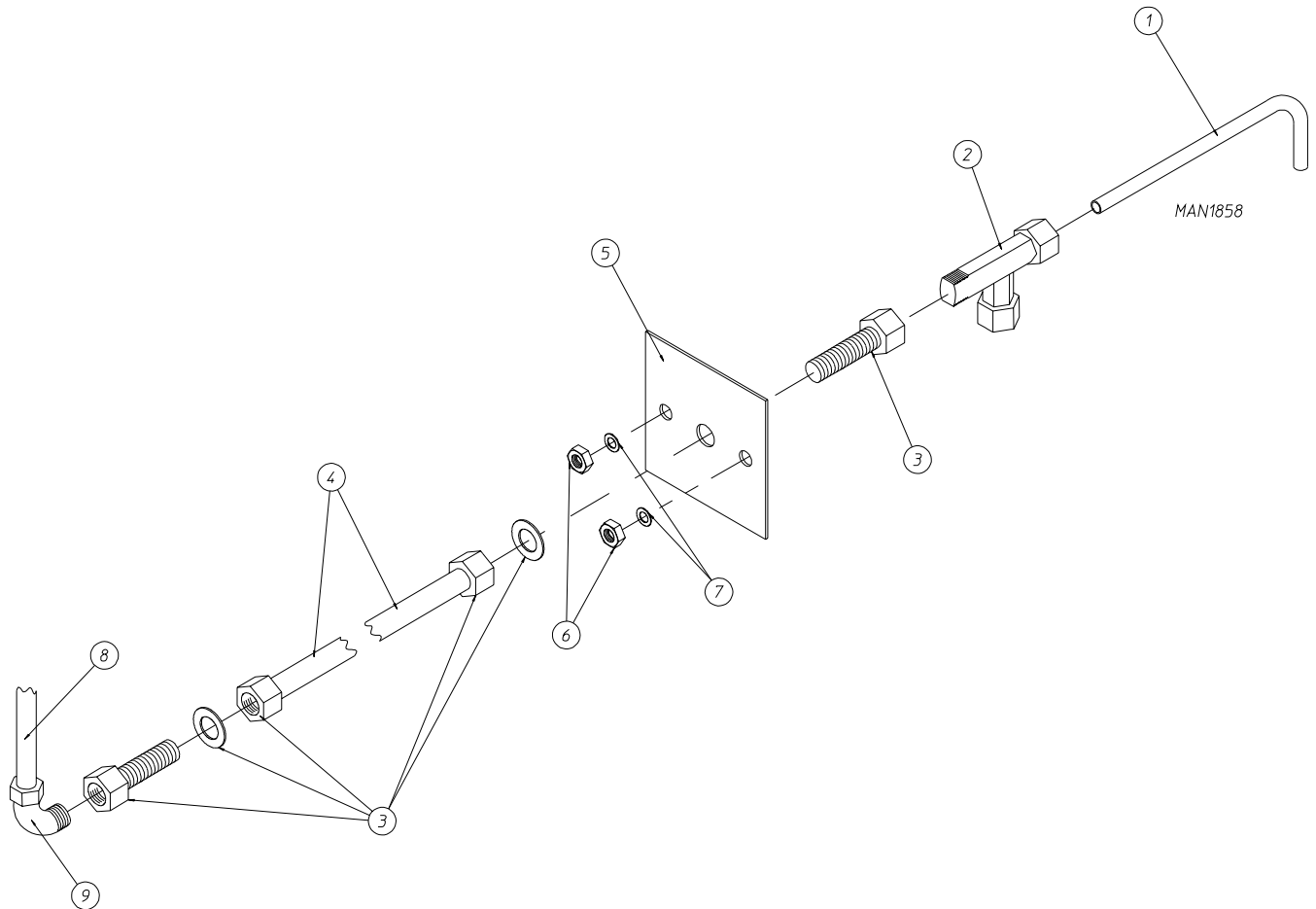
Pneumatic Valve Assembly

For Steam Models ONLY



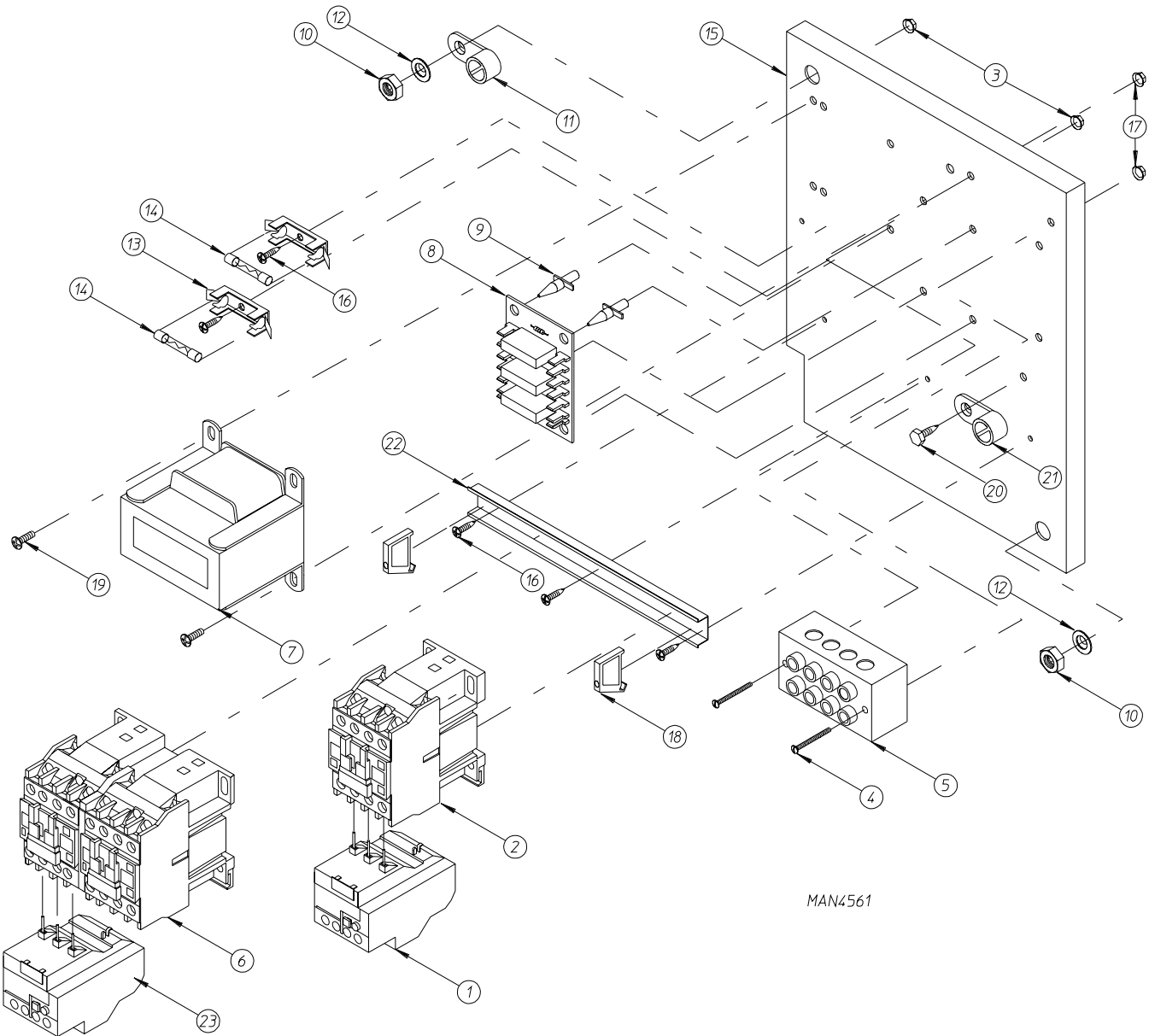
MAN2445

Illus. No.	Part No.	Qty.	Description
1	100496	1	1/8" Needle Valve
2	143238	3	1/8" Close Nipple
3	100498	2	3-Way Micro Valve ONLY – 24 VAC
	821104	1	Pneumatic Valve Assembly Complete (includes illus. nos. 1 through 10)
4	143223	1	1/8" F.P.T. Brass Tee
5	150002	2	#6-32 x 1" Slotted Machine Screw
6	330987	1	Micro Valve Support Bracket ONLY
7	153010	2	#6 Star Washer
8	152000	2	#6-32 Hex Nut
9	100520	2	1/8" N.P.T. Silencer (muffler)
10	100472	2	1/4" x 1/8" Connector



Illus. No.	Part No.	Qty.	Description
1	332700	1	Air Jet Tube ONLY
2	143287	1	1/4" x 1/8" M.P.T. Male Run Tee
3	143259	2	1/4" x 1/8" F.P.T. Bulkhead Fitting
4	143100	36	1/4" Aluminum Tube (sold by the inch)
5	821081	1	Air Jet Mounting Plate ONLY (includes illus. nos. 1 through 9)
	332531	1	Air Jet Mounting Plate ONLY
6	152002	2	1/4-20 Hex Nut
7	153007	2	1/4" Lock Washer
8	143110	5	1/4" Poly-Flo Tubing (sold by the foot)
9	143149	1	1/4" x 1/8" M.P.T. x 90° Elbow

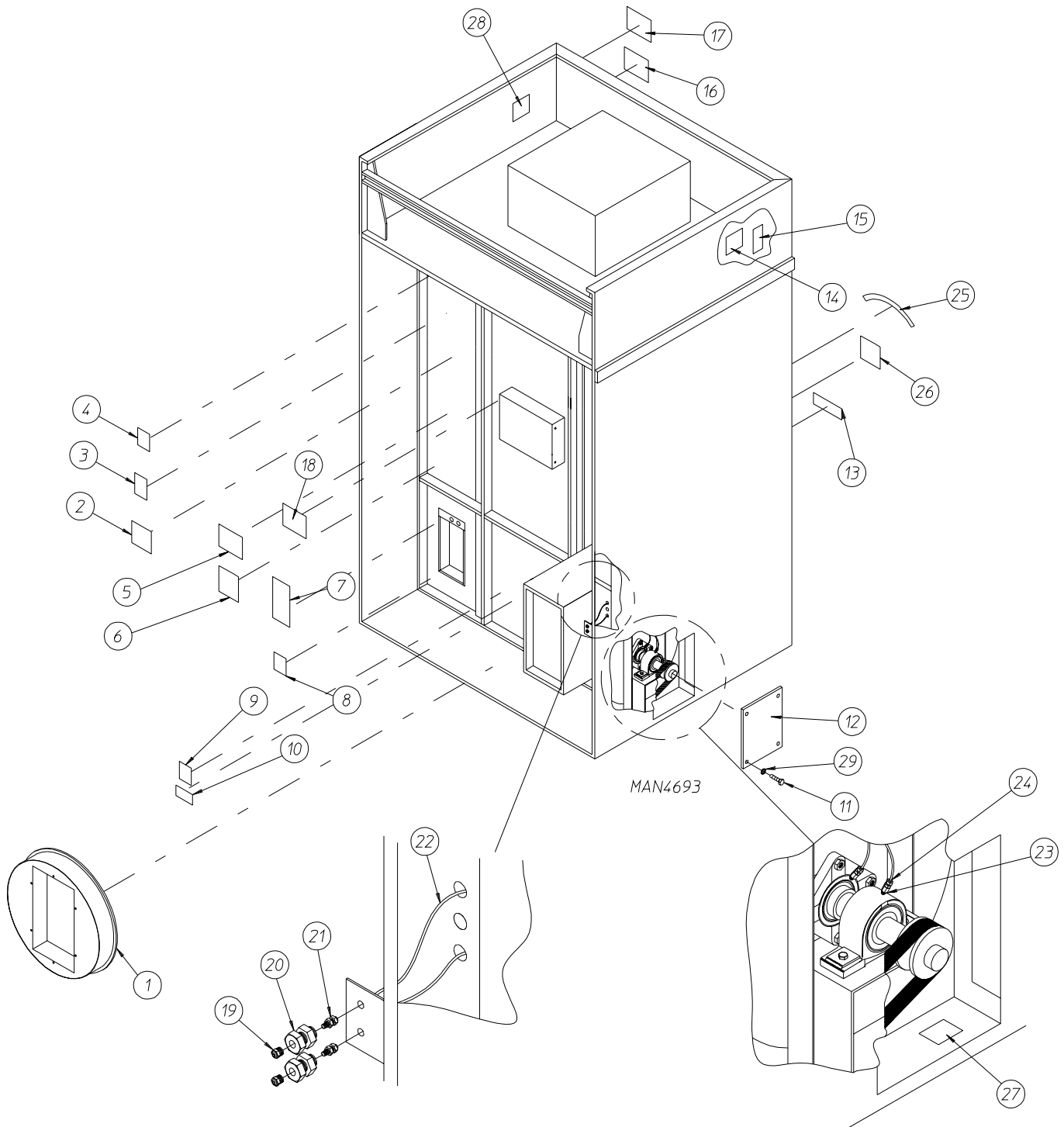
Microprocessor Reversing Contactor Mounting Panel Assembly



Microprocessor Reversing Contactor Mounting Panel Assembly

<u>Illus. No.</u>	<u>Part No.</u>	<u>Qty.</u>	<u>Description</u>
1	132439	1	17-25-Amp Blower (Impellor / Fan) Overload
2	132465	1	Reversing (Impellor / Blower / Fan) Contactor – 24 VAC
3	151001	2	#8-32 Pal Nut
4	150008	2	#6-32 x 1-1/4" Slotted Round Head Machine Screw
5	120701	1	4-Position Power Distribution Block
6	132434	1	D-Line Reversing Contactor (for models mfd. as of April 20, 1999)
	132448	1	K-Line Reversing Contactor – 24 VAC (for models mfd. prior to April 20, 1999)
7	835148	1	Transformer (208-240 Volt 3ø)
8	137060	1	Arc Suppressor Board (3)
9	137013	4	Nylon Standoff
10	152004	2	5/16-18 Hex Nut
11	121012	1	Terminal / Ground Lug
12	153002	1	5/16" Lock Washer
13	136008	2	Fuse Block / Holder
14	136057	2	1/2-Amp (Slo-Blo) Fuse
15	332346	1	Contactor / Relay Mounting Panel ONLY
16	150301	2	#8-18 x 7/16" Phillips Pan Head TEK Screw
17	151000	2	#6-32 Pal Nut
18	120765	2	End Stop / Bracket
19	150301	2	#8-18 x 7/16" Phillips Pan Head TEK Screw
20	150297	1	#10 x 1/2" Hex Washer TEK Screw
21	121010	1	L-70 Ground Lug
22	120768	8	Din Mounting Rail (sold by the inch)
23	132467	1	9-13-Amp Drive Motor Overload 208-240 Volt

Back Guard Assemblies



<u>Illus. No.</u>	<u>Part No.</u>	<u>Qty.</u>	<u>Description</u>
1	821956	1	20" Round Duct Transition Piece Assembly
	821793	1	20" Round Duct Transition Piece with Damper Assembly
2	————	1	Wiring Diagram For Machine
3	112046	1	"Computer Ground" Label
4	114005	1	"Danger – Hot" Label
5	112519	1	"Routine Maintenance" Label
6	112295	1	"High Voltage" Label
7	114007	1	"Danger – High Voltage" Label
8	112014	1	"High Voltage" Label
9	114008	1	"Warning – Fumes" Label
10	114001	1	"Caution – Exhaust / Lint Screen" Label
11	150512	4	1/4-20 x 1/2" Hex Head Machine Bolt
12	332309	1	Side Access Panel
13	112280	1	"Clean Lint Screen" Label
14	112017	1	"ADC Name, Address, Telephone Number" Label
15	————	1	Serial Number Label (not for resale)
16	————	1	Wiring Diagram
17	112284	1	"Phase 6 Program Location" Label
18	114093	1	"Important Manual Reset Hi-Limit" Label
19	170511	2	1/8" M.P.T. Zirc (grease) Fitting
20	143164	2	1/8" F.P.T. Bulkhead Fitting
21	100472	2	1/4" Tube x 1/8" M.P.T. Male Connector
22	143115	4	1/4" Nylo-Seal Tube
23	100472	2	1/4" Tube x 1/8" M.P.T. Male Connector
24	143246	2	1/4-28 x 18" F.P.T. Fitting
25	114095	1	"Do Not Dry Mop Heads" Label
26	114006	1	"WARNING – Fire Hazard" Label
27	114077	1	"Grease Instruction" Label
28	114093	1	"Important Manual Reset Hi-Limit" Label
29	153007	4	1/4-20 Lock Washer

