



ML-55 Parts Manual Phase 6 1997 thru 2000

American Dryer Corporation
88 Currant Road
Fall River, MA 02720-4781
Telephone: (508) 678-9000 / Fax: (508) 678-9447
E-mail: techsupport@amdry.com

Retain This Manual In A Safe Place For Future Reference

American Dryer Corporation products embody advanced concepts in engineering, design, and safety. If this product is properly maintained, it will provide many years of safe, efficient, and trouble-free operation.

ONLY qualified technicians should service this equipment.

OBSERVE ALL SAFETY PRECAUTIONS displayed on the equipment or specified in the installation manual included with the dryer.

The following “**FOR YOUR SAFETY**” caution **must be** posted near the dryer in a prominent location.

FOR YOUR SAFETY

Do not store or use gasoline or other flammable vapors or liquids in the vicinity of this or any other appliance.

POUR VOTRE SÉCURITÉ

Ne pas entreposer ni utiliser d'essence ni d'autres vapeurs ou liquides inflammables dans le voisinage de cet appareil ou de tout autre appareil.

We have tried to make this manual as complete as possible and hope you will find it useful. **ADC** reserves the right to make changes from time to time, without notice or obligation, in prices, specifications, colors, and material, and to change or discontinue models.

Important

For your convenience, log the following information:

DATE OF PURCHASE _____ **MODEL NO.** **ML-55** _____

RESELLER'S NAME _____

Serial Number(s) _____

Replacement parts can be obtained from your reseller or the **ADC** factory. When ordering replacement parts from the factory, you can FAX your order to **ADC** at (508) 678-9447 or telephone your order directly to the **ADC** Parts Department at (508) 678-9000. Please specify the dryer **model number** and **serial number** in addition to the **description** and **part number**, so that your order is processed accurately and promptly.

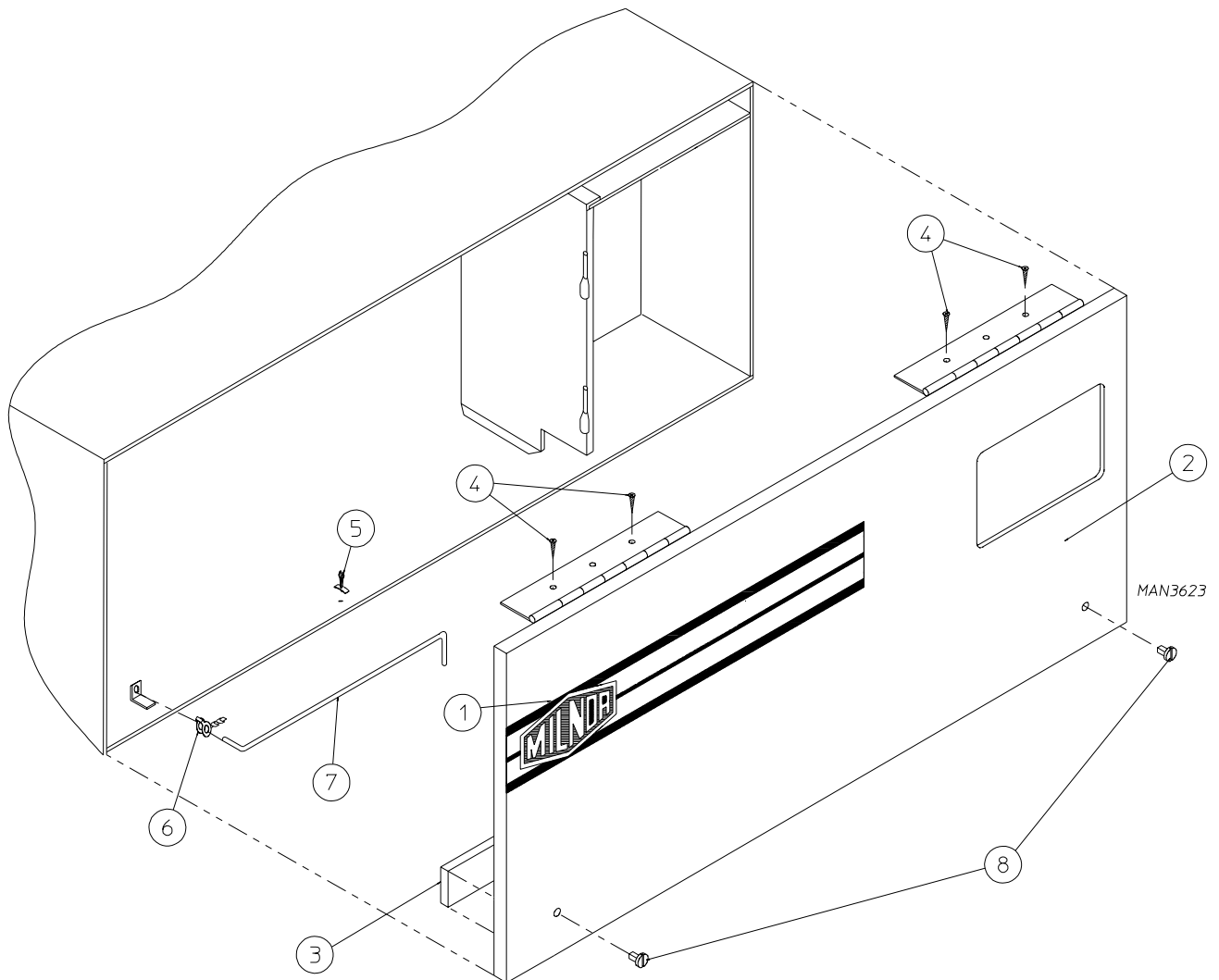
“IMPORTANT NOTE TO PURCHASER”

Information must be obtained from your local gas supplier on the instructions to be followed if the user smells gas. These instructions must be posted in a prominent location near the dryer.

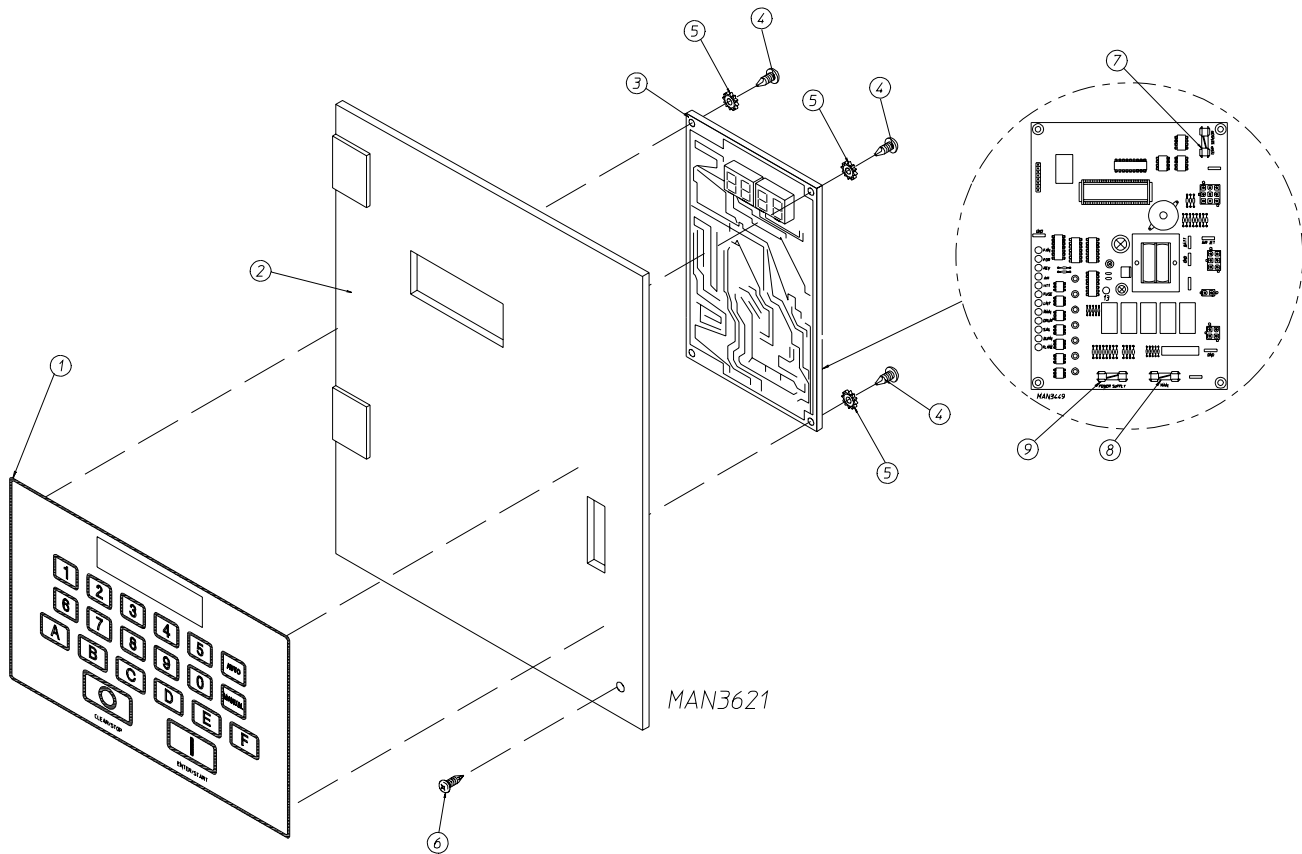
Table of Contents

Control Door Assembly	3
Phase 6 OPL Microprocessor Control Panel Assembly	4
Phase 6 OPL Microprocessor Control Box Assembly	5
Dual Timer Control Panel Assembly	6
Dual Timer Control Box Assembly	7
Front Panel/Main Door Assemblies with Mechanical Fasteners for models mfd. as of January 16, 1998	8, 9
Front Panel/Main Door Assemblies for models mfd. between October 24, 1997 and January 16, 1998	10, 11
Front Panel/Main Door Assemblies for models mfd. prior to October 24, 1997	12
Main Door Switch Assembly for models mfd. as of October 24, 1997	13
Main Door Switch Assembly for models mfd. prior to October 24, 1997	14
Drop Lint Door Assembly	15
Lint Trap Assembly	16
Basket (Tumbler)/SupportAssemblies	17
Sensor Bracket Assemblies	18, 19
Tumbler Bearing Assembly	20, 21
Idler Bearing Assembly	22, 23
Non-Reversing Totally Enclosed, Fan-Cooled (T.E.F.C.) Motor Mount Assembly	24, 25

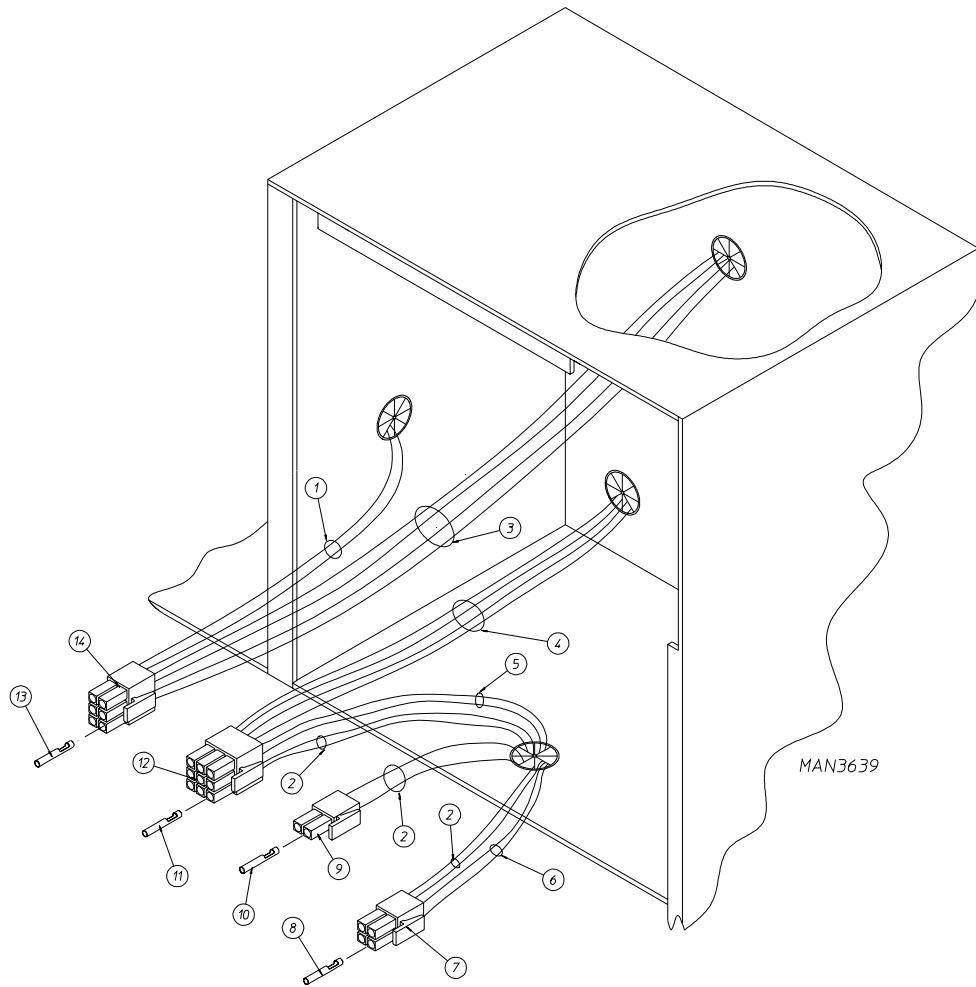
Reversing Totally Enclosed, Fan-Cooled (T.E.F.C.) Motor Mount Assembly	26, 27
Hot Surface Ignition (HSI) Burner Assembly	28, 29
Sail Switch/Hi-Limit Assemblies	30, 31
Air Operated Steam Damper Assembly	32, 33
Single Phase (1 ϕ) Rear Electric Relay Panel Assembly	34, 35
3-Phase (3 ϕ) Motor, Non-Reversing Electric Relay Panel Assembly	36, 37
3-Phase (3 ϕ) Motor, Reversing Electric Relay Panel Assembly	38, 39
Dual Timer Non-Reversing Electrical Panel Assembly	40, 41
Dual Timer Reversing Electrical Panel Assembly	42, 43
Outer Top/Back Guard Assemblies	44
Hot Surface Ignition (HSI) Burner Assembly Specifications	45
Step Down Transformer Usage Listing for Microprocessor (computer) Models ONLY	46
Additional Parts Available	47



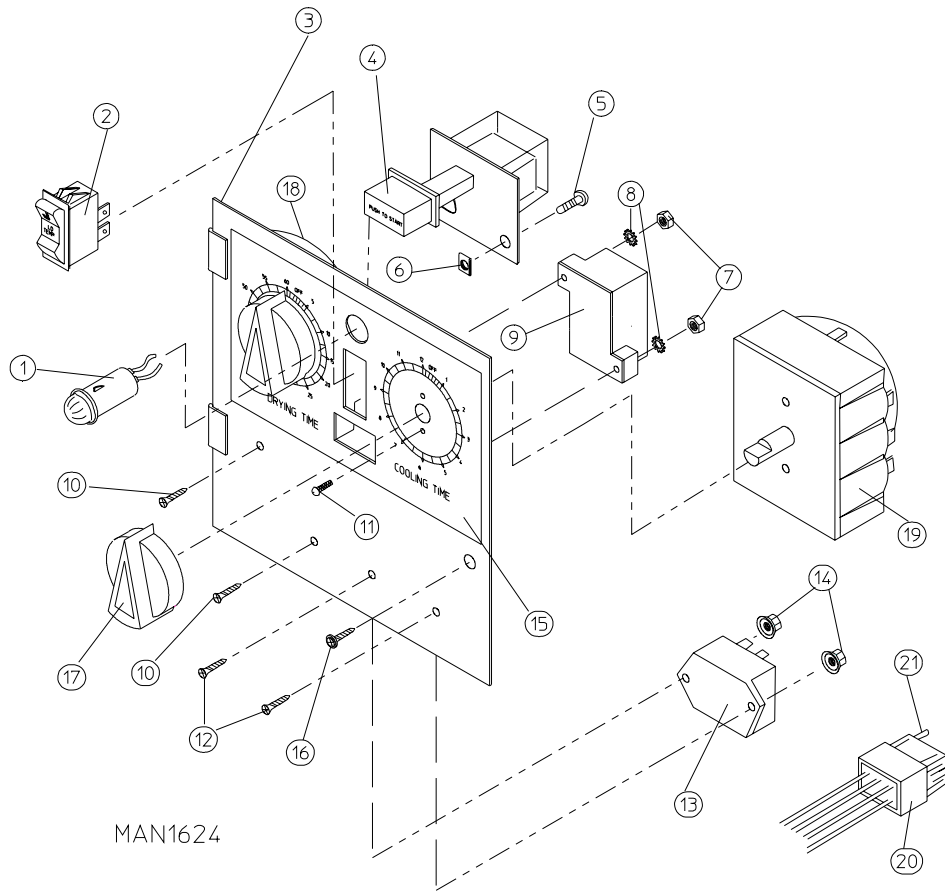
<u>Illus. No.</u>	<u>Part No.</u>	<u>Qty.</u>	<u>Description</u>
1	112366	1	Logo ONLY
2	881869	1	White Control Door Assembly (includes illus. nos. 2, 3, and 8) For models mfd. as of October 24, 1997)
	881694	1	Blue Control Door Assembly (includes illus. nos. 2, 3, and 8) For models mfd. as of October 24, 1997)
	881744	1	Control Door Assembly (includes illus. nos. 2, 3, and 8) For models mfd. prior to October 24, 1997)
3	117600	4	Noise Suppression Tape (sold by the foot)
4	150309	4	#10-16 x 1/2" Hex Head TEK Crimptite Screw
5	102600	1	Control Door Rod Support Catch
6	102601	1	Control Door Rod Retainer Clip
7	102502	1	Control Door Support Rod
8	160005	2	Spring Turn Latch (2-piece)



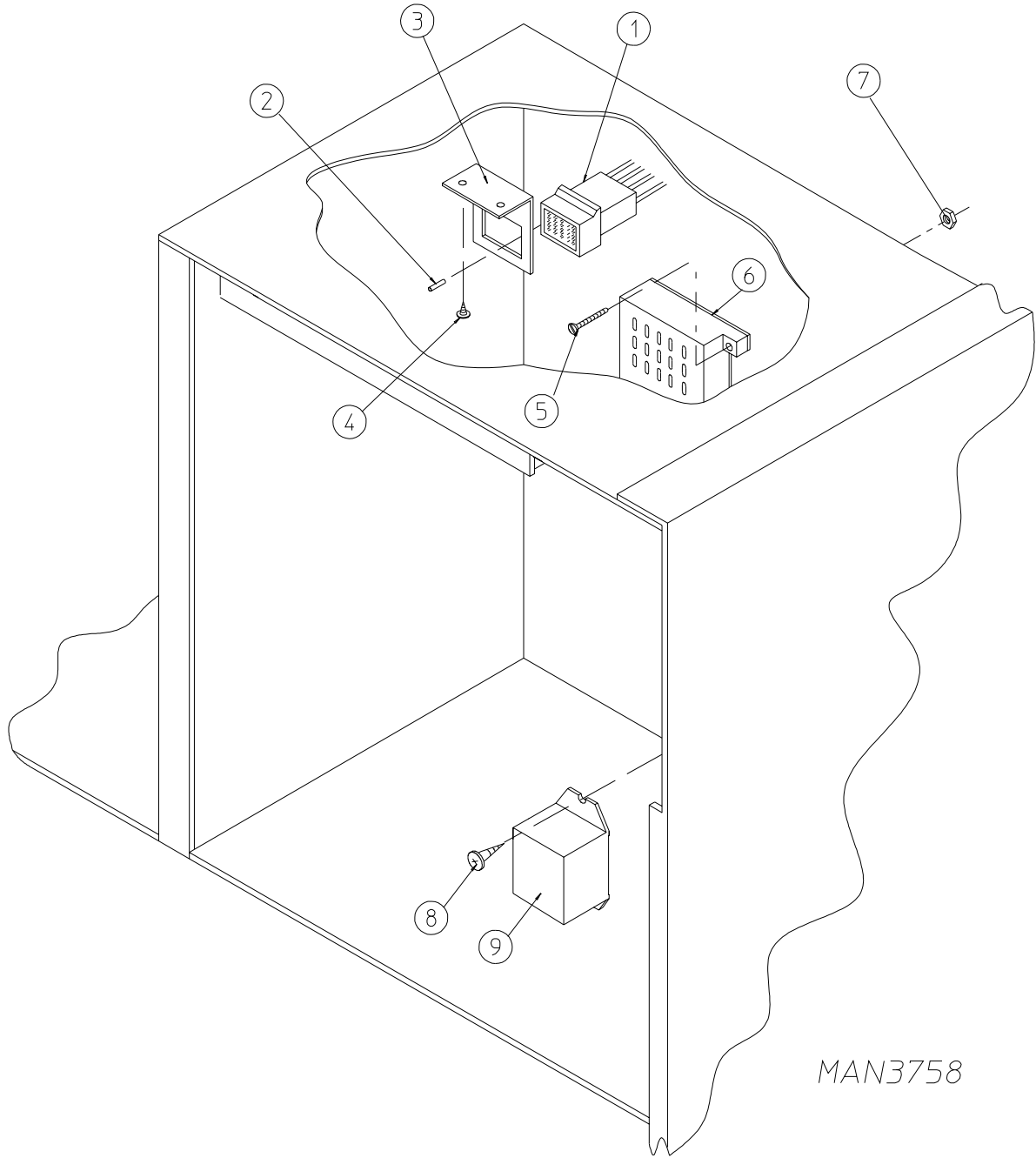
<u>Illus. No.</u>	<u>Part No.</u>	<u>Qty.</u>	<u>Description</u>
1	112537	1	Phase 6 OPL Keypad
	112276	1	OPL Stick-on Labels (English Only) ... Not Illustrated
	112275	1	OPL Stick-on Labels (Spanish, Italian, and Hebrew) ... Not Illustrated
	112277	1	3 Language OPL Stick-on Labels (English, Spanish, and Hebrew) ... Not Illustrated
	112278	1	5 Language OPL Stick-on Labels (Italian, Dutch, French, German, and Chinese) ... Not Illustrated
2	881745	1	Phase 6 Microprocessor (computer) Panel ONLY
	881747	1	Phase 6 OPL Non-Reversing Computer Panel Assembly Complete (includes illus. nos. 1 through 5 and 7 through 9)
	881746	1	Phase 6 OPL Reversing Computer Panel Assembly Complete (includes illus. nos. 1 through 5 and 7 through 9)
3	137123	1	Phase 6 OPL Non-Reversing Microprocessor Controller ONLY
	137122	1	Phase 6 OPL Reversing Microprocessor Controller ONLY
4	150005	3	#6-32 x 3/4" Phillips Round Head Machine Screw
5	153010	3	#6 Star Washer
6	150309	1	#10-16 x 1/2" Hex Head TEK Crimptite Screw
7	136048	1	1/8-Amp (Slo Blo) Fuse
8	136017	1	3.15-Amp (Fast Acting) Fuse
9	136019	1	1-Amp (Fast Acting) Fuse



<u>Illus. No.</u>	<u>Part No.</u>	<u>Qty.</u>	<u>Description</u>
1	881790	1	Burner Control Wiring
2	881851	1	Basket (Tumbler) Hi-Limit Temperature Sensor Harness
3	881850	1	Sail Switch Hi-Limit Harness
4	881852	1	Power Control Harness (for Non-Reversing Gas Models Only)
	881853	1	Power Control Harness (for Reversing Gas Models Only)
5	881785	1	Door Switch Harness
6	824993	1	Rotational Sensor Harness (Front Wiring Box to Rear Wiring Box)
	824994	1	Rotational Sensor Harness (Rear Wiring Box to Sensor)
7	122648	1	4-Pin Connector
8	122706	4	Socket Terminal ONLY
9	122646	1	2-Pin Connector
10	122706	2	Socket Terminal ONLY
11	122706	9	Socket Terminal ONLY
12	122640	1	9-Pin Connector
13	122706	6	Socket Terminal ONLY
14	122644	1	6-Pin Terminal
---	122801	1	Pin/Socket Extraction Tool

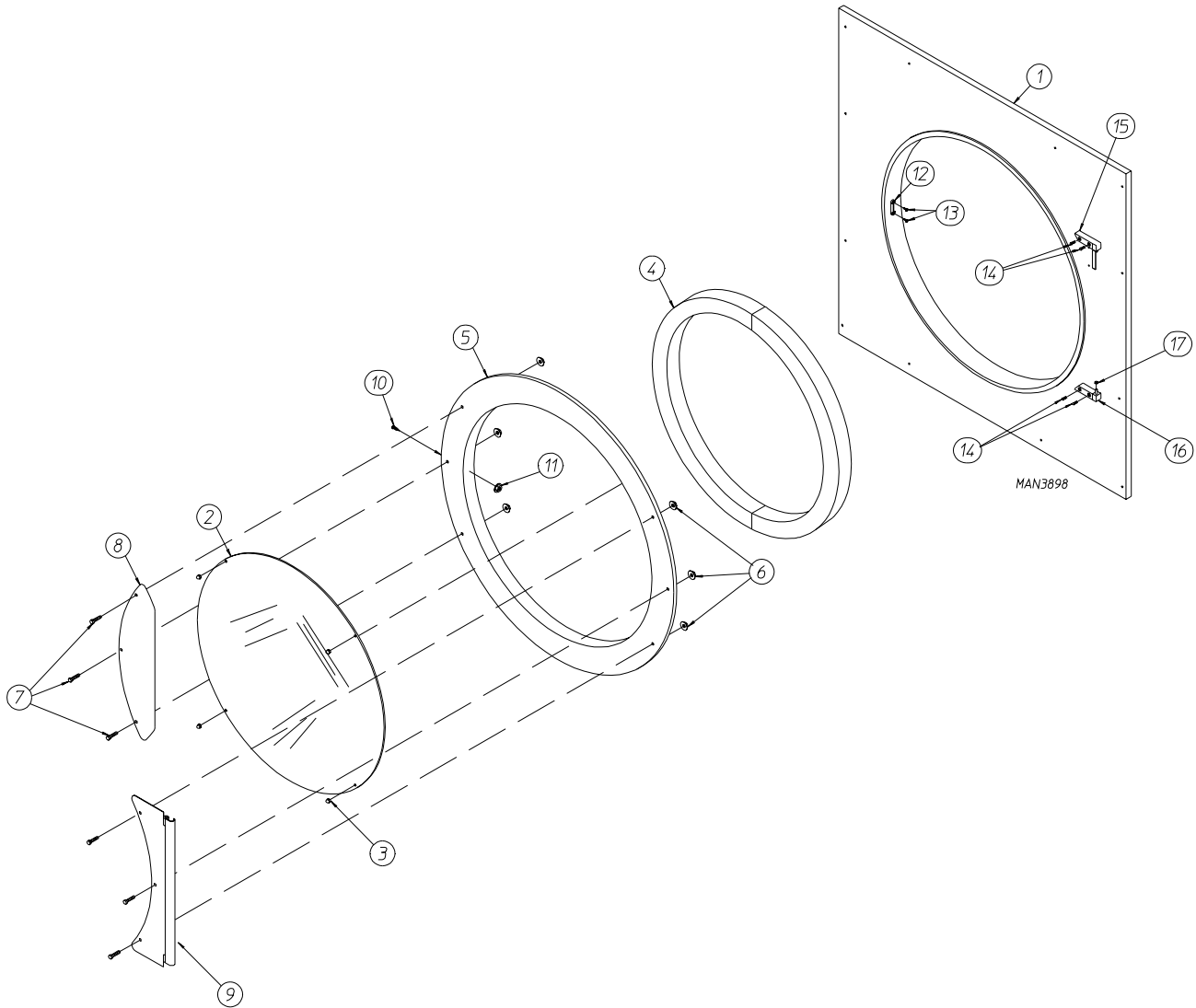


<u>Illus. No.</u>	<u>Part No.</u>	<u>Qty.</u>	<u>Description</u>
1	123005	1	Red Indicator Light - 24 VAC
2	122400	1	Rocker Heat Selector Switch
3	824015	1	Dual Timer Control Panel Assembly Complete - 24 VAC (includes illus. nos. 1 through 21)
	800051	1	Dual Timer Control Panel ONLY
4	131917	1	Push-to-Start Relay - 24 VAC
5	150207	2	#10-24 x 1/2" Phillips Round Head Machine Screw
6	154001	2	#10-24 Speed Nut
7	152000	2	#6-32 Hex Nut
8	153010	2	#6 Star Washer
9	120730	1	30-Position Terminal Block
10	150002	2	#6-32 x 1" Phillips Round Head Machine Screw
11	150110	4	#8-32 x 1/4" Phillips Round Head Machine Screw
12	150001	2	#6-32 x 1/2" Phillips Round Head Machine Screw
13	131931	1	Dual Timer Relay - 24 VAC
14	151000	2	#6-32 Pal Nut
15	112050	1	Dual Timer Label ONLY
16	150309	1	#10-16 x 1/2" Hex Head TEK Crimptite Screw
17	124103	2	Arrow Timer Knob
18	124025	1	60-Minute Timer - 24 VAC
19	124030	1	15-Minute Timer - 24 VAC
20	122602	1	9-Pin Connector ONLY
21	122700	8	Pin Terminal ONLY
---	122801	1	Pin/Socket Extraction Tool



MAN3758

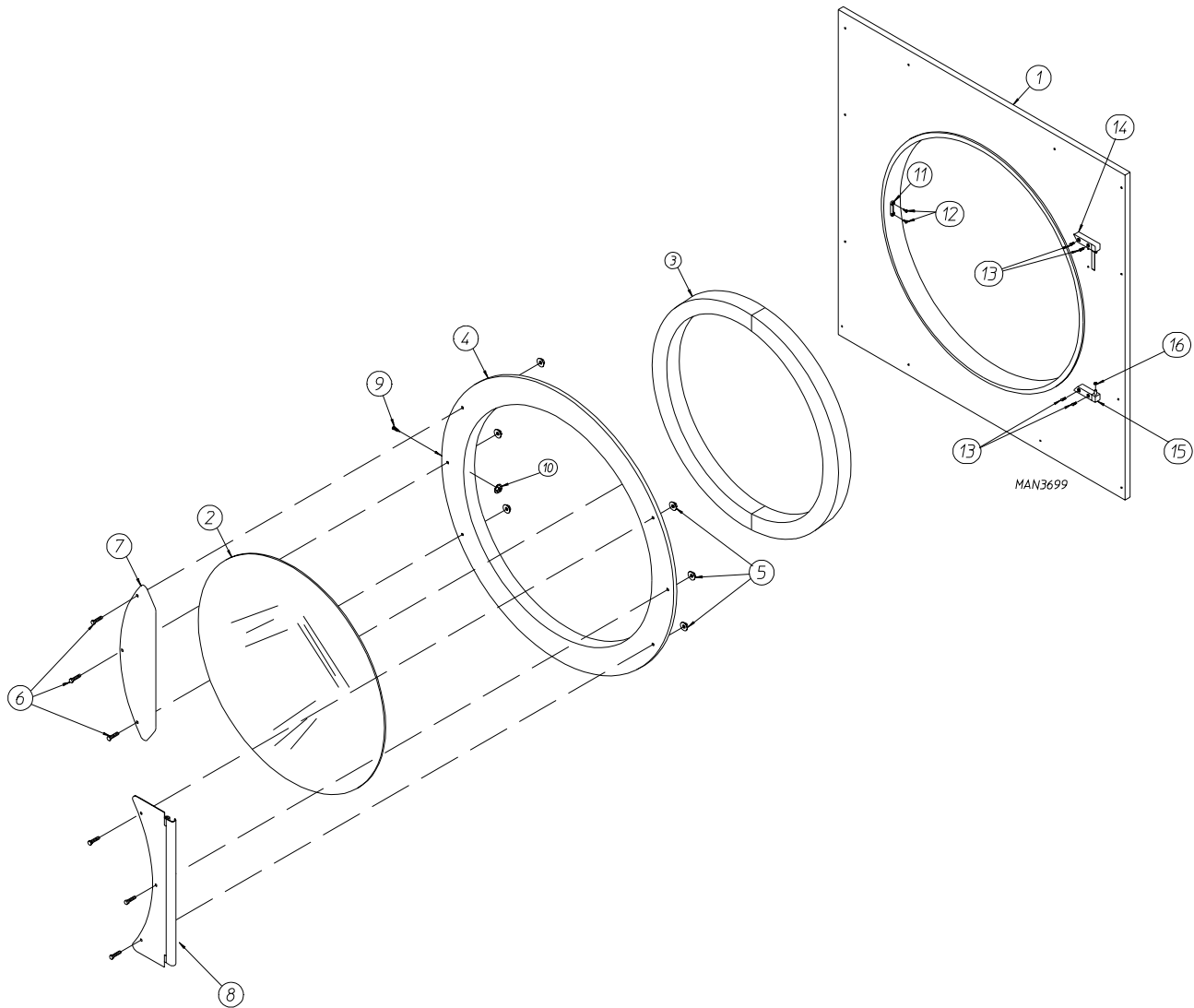
<u>Illus. No.</u>	<u>Part No.</u>	<u>Qty.</u>	<u>Description</u>
1	122601	1	9-Pin Socket Connector
2	122701	8	Socket Terminal ONLY
	122801	1	Pin/Socket Extraction Tool
3	315010	1	9-Pin Connector Bracket
4	150300	2	#10 x 1/2" Hex Washer TEK Screw
5	150002	2	#6-32 x 1" Phillips Round Head Machine Screw
6	120715	1	30-Position Terminal Block
7	151000	2	#6-32 Pal Nut
8	150309	2	#10-16 x 1/2" Hex Head TEK Crimptite Screw
9	131932	1	Heat Relay - 24 VAC



for models mfd. as of January 16, 1998

<u>Illus. No.</u>	<u>Part No.</u>	<u>Qty.</u>	<u>Description</u>
1	881871	1	White Front Panel Assembly (includes illus. nos. 1, 12, and 13)
	881697	1	Blue Front Panel Assembly (includes illus. nos. 1, 12, and 13)
2	102214	1	30" Door Glass
	170730	1	Door Glass/Gasket Adhesive (10.3 oz Cartridge)
3	151012	4	10-32 Nylon Acorn Nut - White
4	102357	2	Main Door Gasket
	170730	1	Door Glass/ Gasket Adhesive (10.3 oz Cartridge)
5	881968	1	White Main Door Assembly With Mechanical Fasteners (includes illus. nos. 2 though 11)
	881969	1	Blue Main Door Assembly With Mechanical Fasteners (includes illus. nos. 2 through 11)
	881966	1	White Main Door Ring
	881967	1	Blue Main Door Ring
6	881806	6	White 1/4-20 Free Spin Wash Nut
	881807	6	Blue 1/4-20 Free Spin Wash Nut
7	881740	6	White 1/4-20 x 5/8" Carriage Bolt
	881739	6	Blue 1/4-20 x 5/8" Carriage Bolt
8	881688	1	White Main Door Handle
	881737	1	Blue Main Door Handle
9	881685	1	White Main Door Hinge
	881757	1	Blue Main Door Hinge
10	150120	1	Main Door Latch Screw
11	151012	1	#10-32 White Acorn Nut
	151014	1	#10-32 Blue Acorn Nut
12	170330	1	Friction Door Catch
13	154215	2	5/32" Pop Rivet
14	150443	4	1/4-20 x 3/4" Stainless Cap Screw
15	881440	1	White Top Hinge Block With Stainless Steel Cap Screw (includes illus. nos. 14 and 15)
	881736	1	Blue Top Hinge Block with Stainless Steel Cap Screw (includes illus. nos. 14 and 15)
16	881441	1	White Bottom Hinge Block With Stainless Steel Cap Screw (includes illus. nos. 14 and 16)
	881735	1	Blue Bottom Hinge Block With Stainless Steel Cap Screw (includes illus. nos. 14 and 16)
17	153031	1	Nylon Washer

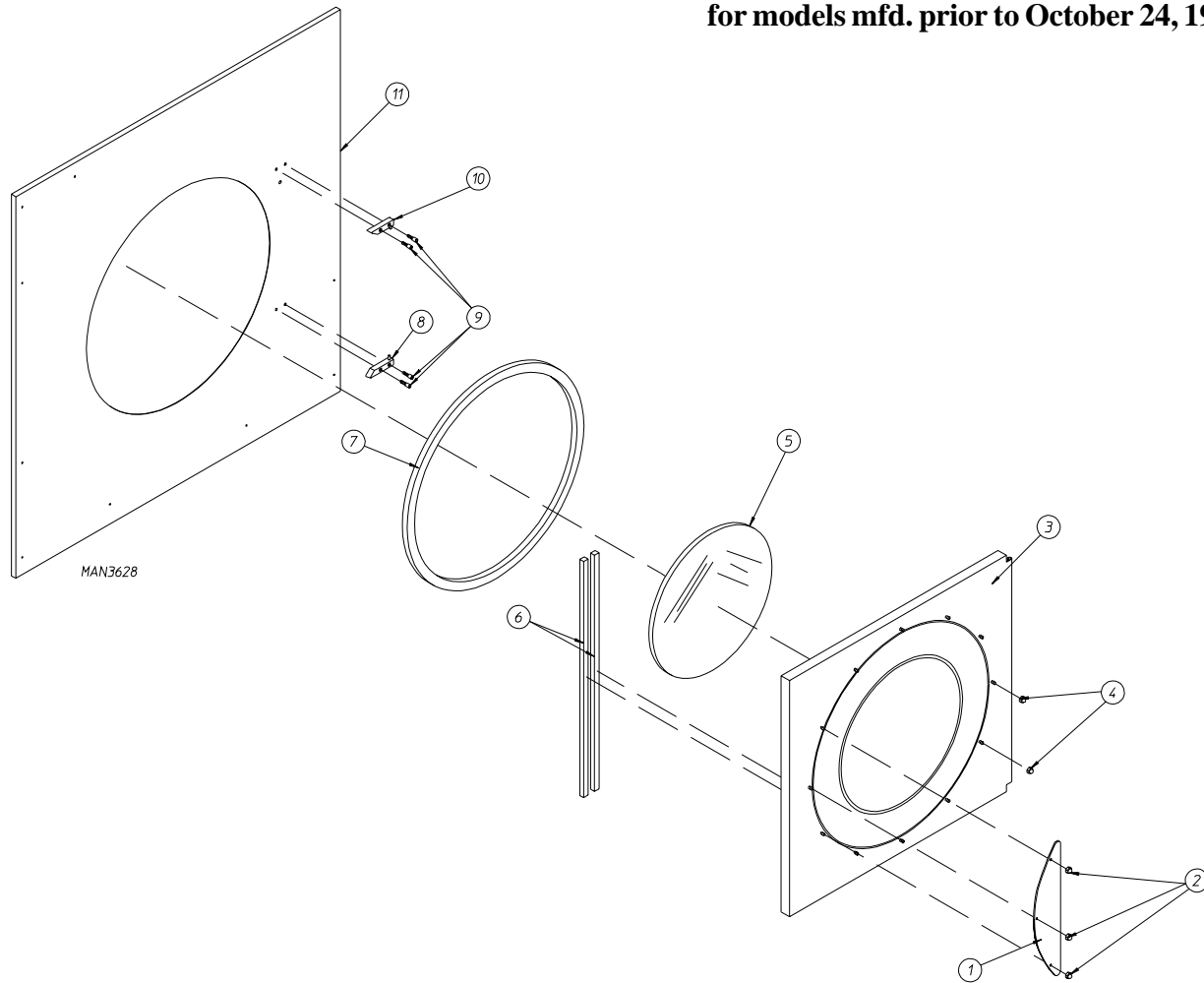
for models mfd. between October 24, 1997 and January 16, 1998



 for models mfd. between October 24, 1997 and January 16, 1998

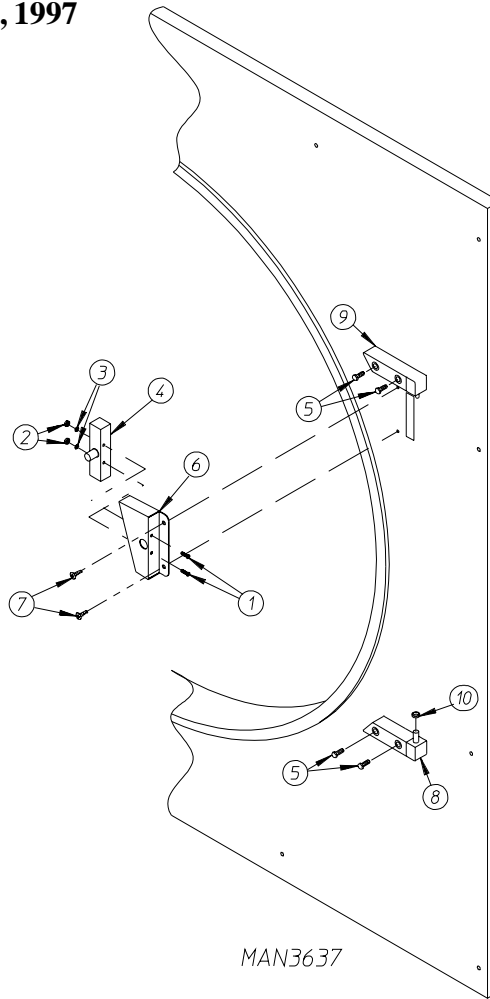
<u>Illus. No.</u>	<u>Part No.</u>	<u>Qty.</u>	<u>Description</u>
1	881871	1	White Front Panel Assembly (includes illus. nos. 1, 11, and 12)
	881697	1	Blue Front Panel Assembly (includes illus. nos. 1, 11, and 12)
2	102213	1	29-7/8" Door Glass
	170730	1	Door Glass/Gasket Adhesive (10.3 oz. cartridge)
3	102354	1	Main Door Gasket (7/8" x 7/8" x 73")
	170730	1	Door Gasket/Glass Adhesive (10.3 oz. cartridge)
4	881689	1	White Main Door Assembly Complete (includes illus. nos. 2 through 10)
	881738	1	Blue Main Door Assembly Complete (includes illus. nos. 2 through 10)
	881684	1	White Main Door Ring
5	881756	1	Blue Main Door Ring
	881806	6	1/4-20 Free Spin Wash Nut (White)
	881807	6	1/4-20 Free Spin Wash Nut (Blue)
6	881740	6	1/4-20 x 5/8" (White) Carriage Bolt
	881739	6	1/4-20 x 5/8" (Blue) Carriage Bolt
7	881688	1	White CRS Main Door Handle
	881737	1	Blue CRS Main Door Handle
8	881685	1	White Main Door Hinge
	881757	1	Blue Main Door Hinge
9	150120	1	Main Door Latch Screw
10	151012	1	#10-32 White Acorn Nut
	151014	1	#10-32 Blue Acorn Nut
11	170330	1	Friction Door Catch
12	154215	2	5/32" Pop Rivet
13	150443	4	1/4-20 x 3/4" Stainless Steel Cap Screw
14	881440	1	White Top Hinge Block with Stainless Steel Cap Screw (includes illus. nos. 13 and 15)
	881736	1	Blue Top Hinge Block with Stainless Steel Cap Screw (includes illus. nos. 13 and 15)
15	881441	1	White Bottom Hinge Block with Stainless Steel Cap Screw (includes illus. nos. 14 and 15)
	881735	1	Blue Bottom Hinge Block with Stainless Steel Cap Screw (includes illus. nos. 14 and 15)
16	153031	1	Nylon Washer

for models mfd. prior to October 24, 1997



<u>Illus. No.</u>	<u>Part No.</u>	<u>Qty.</u>	<u>Description</u>
1	881741	1	White Main Door Handle
	881760	1	Blue Main Door Handle
2	151011	3	5/16-18 Acorn Nut
3	881552	1	White Main Door ONLY
	881550	1	Blue Main Door ONLY
	881816	1	White Main Door Assembly
	881820	1	Blue Main Door Assembly (includes illus. nos. 1 through 7)
4	151011	9	5/16-18 Acorn Nut
5	102210	1	20-7/16" Door Glass
	170730	1	Door Glass/Gasket Adhesive (10.3 oz. cartridge)
6	102112	2	Door Magnet (5/16" x 1/4" x 34-3/4")
	102356	1	Main Door Gasket (13-1/6" x 1-3/8" x 97-1/2")
7	170730	1	Door Gasket/Glass Adhesive (10.3 oz. cartridge)
	881441	1	White Bottom Hinge Block with Stainless Steel Cap Screw
8	881735	1	Blue Bottom Hinge Block with Stainless Steel Cap Screw
	150443	4	1/4-20 x 3/4" Stainless Steel Cap Screw
9	881440	1	White Top Hinge Block with Stainless Steel Cap Screw
	881736	1	Blue Top Hinge Block with Stainless Steel Cap Screw
11	881799	1	White Front Panel Assembly
	881920	1	Blue Front Panel Assembly

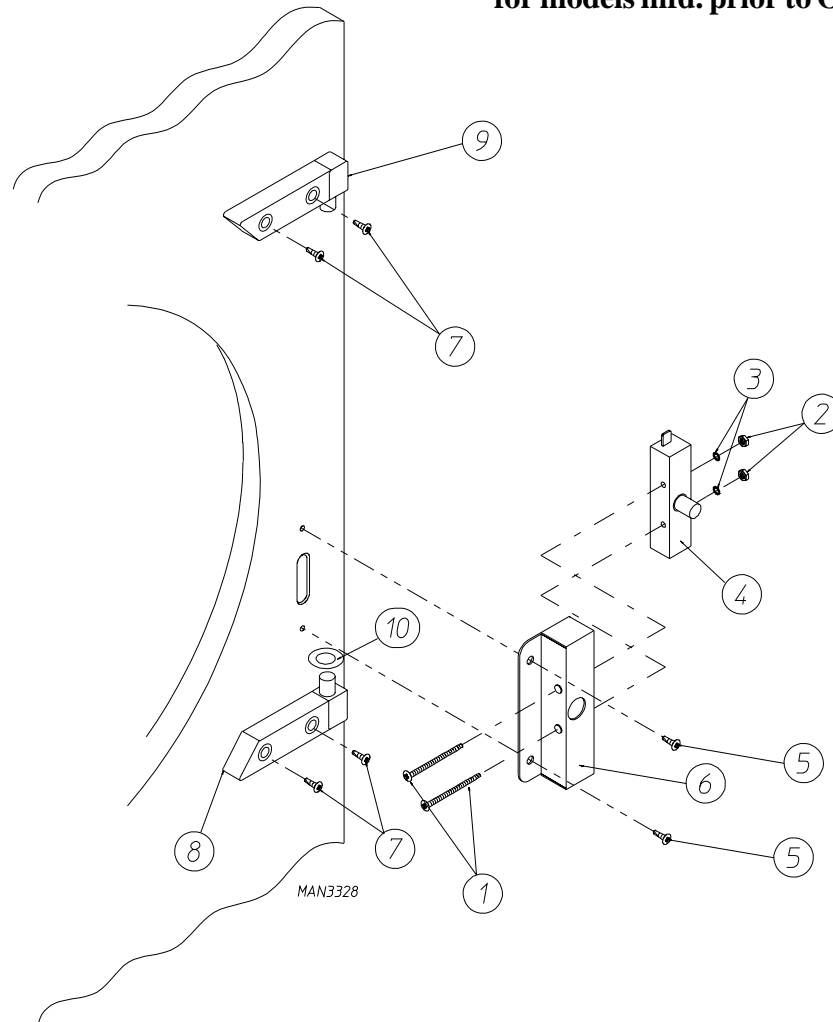
for models mfd. as of October 24, 1997



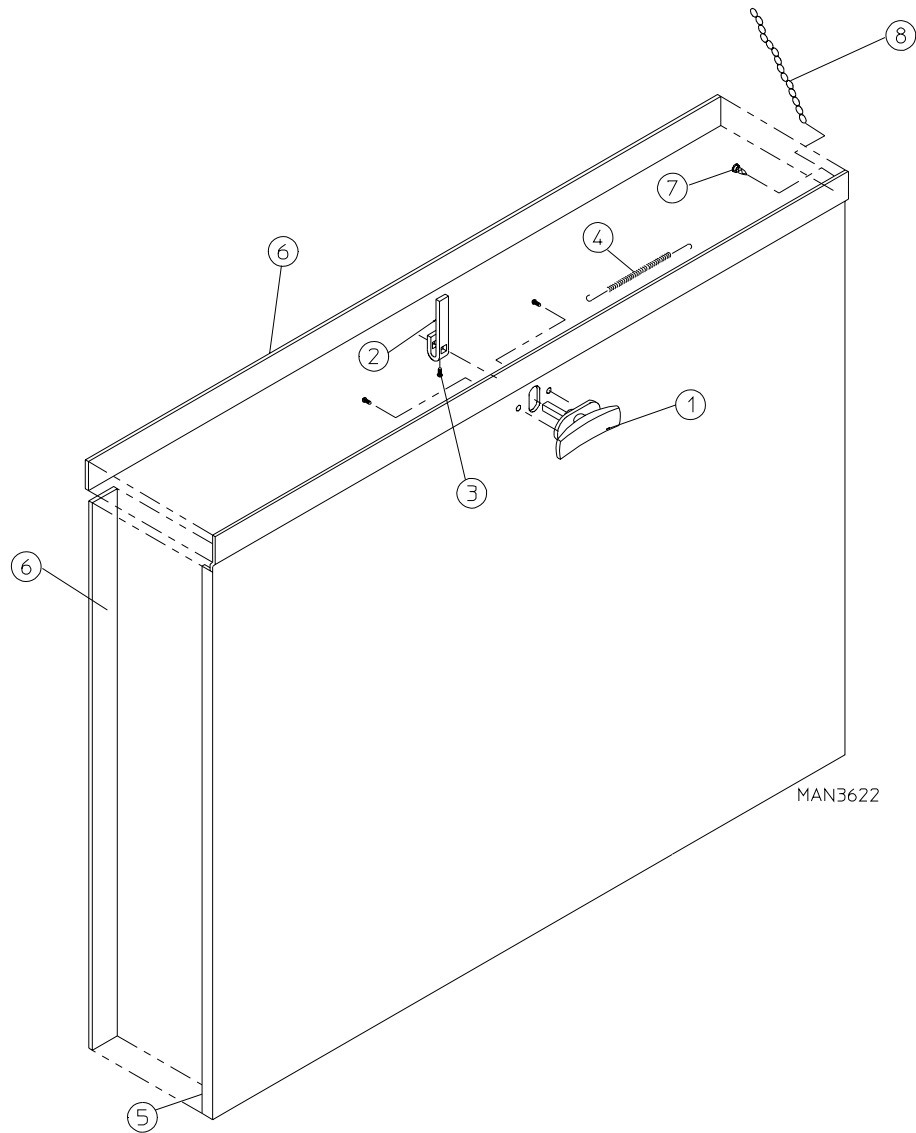
MAN3637

<u>Illus. No.</u>	<u>Part No.</u>	<u>Qty.</u>	<u>Description</u>
1	150006	2	#6-32 x 7/8" Phillips Pan Head Machine Screw
2	152013	2	#6-32 Hex Nut
3	153010	2	#6 Star Washer
4	137005	1	Single Pole Door Switch
5	150443	4	1/4-20 x 3/4" Stainless Steel Cap Screw
6	881687	1	White Main Door Switch Housing ONLY
	881695	1	Blue Main Door Switch Housing ONLY
	881702	1	White Main Door Switch with Housing Assembly (includes illus. nos. 1 through 4 and 6)
	881700	1	Blue Main Door Switch with Housing Assembly (includes illus. nos. 1 through 4 and 6)
7	150301	2	#8-18 x 7/16" Phillips Pan Head TEK Screw
8	881441	1	White Bottom Hinge Block with Stainless Steel Cap Screw (includes illus. nos. 5 and 8)
	881735	1	Blue Bottom Hinge Block with Stainless Steel Cap Screw (includes illus. nos. 5 and 8)
9	881440	1	White Top Hinge Block with Stainless Steel Cap Screw (includes illus. nos. 5 and 9)
	881736	1	Blue Top Hinge Block with Stainless Steel Cap Screw (includes illus. nos. 5 and 9)
10	153031	1	Nylon Washer

for models mfd. prior to October 24, 1997

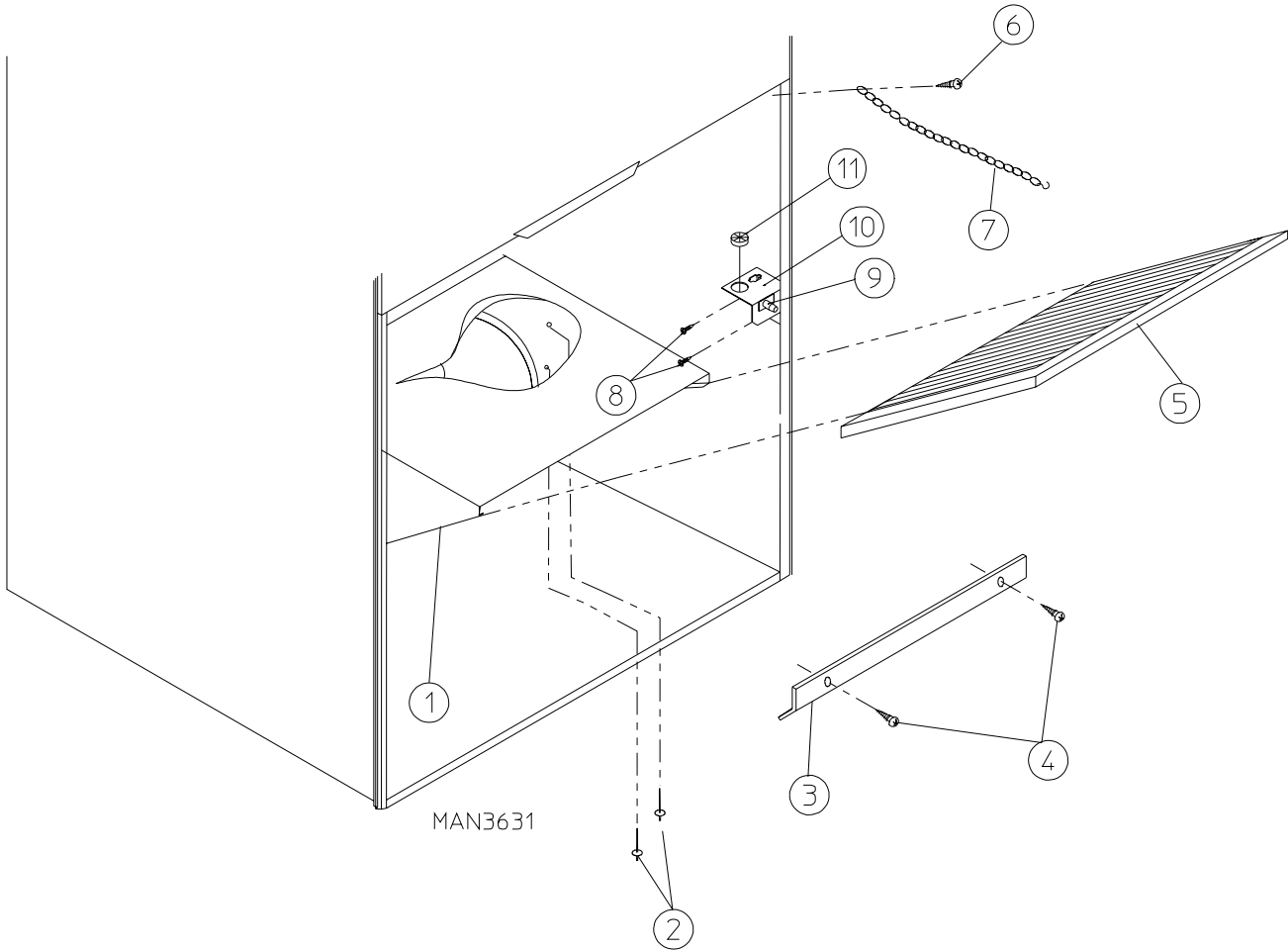


Illus. No.	Part No.	Qty.	Description
1	150006	2	#6-32 x 7/8" Phillips Pan Head Machine Screw
2	152013	2	#6-32 Hex Nut
3	153010	2	#6 Star Washer
4	137005	1	Single Pole Door Switch
5	150301	2	#8-18 x 7/16" Phillips Pan Head TEK Screw
6	881726	1	White Main Door Switch Housing ONLY
	881698	1	White Main Door Switch with Housing Assembly (includes illus. nos. 1 through 4 and 6)
	881153	1	Black Main Door Switch with Housing Assembly (includes illus. nos. 1 through 4 and 6)
7	150443	4	1/4-20 x 3/4" Stainless Steel Cap Screw
8	881441	1	White Bottom Hinge Block with Stainless Steel Cap Screw (includes illus. nos. 7 and 8)
	881735	1	Blue Bottom Hinge Block with Stainless Steel Cap Screw (includes illus. nos. 7 and 8)
9	881440	1	White Top Hinge Block with Stainless Steel Cap Screw (includes illus. nos. 7 and 9)
	881736	1	Blue Bottom Hinge Block with Stainless Steel Cap Screw (includes illus. nos. 7 and 8)
10	153031	1	Nylon Washer

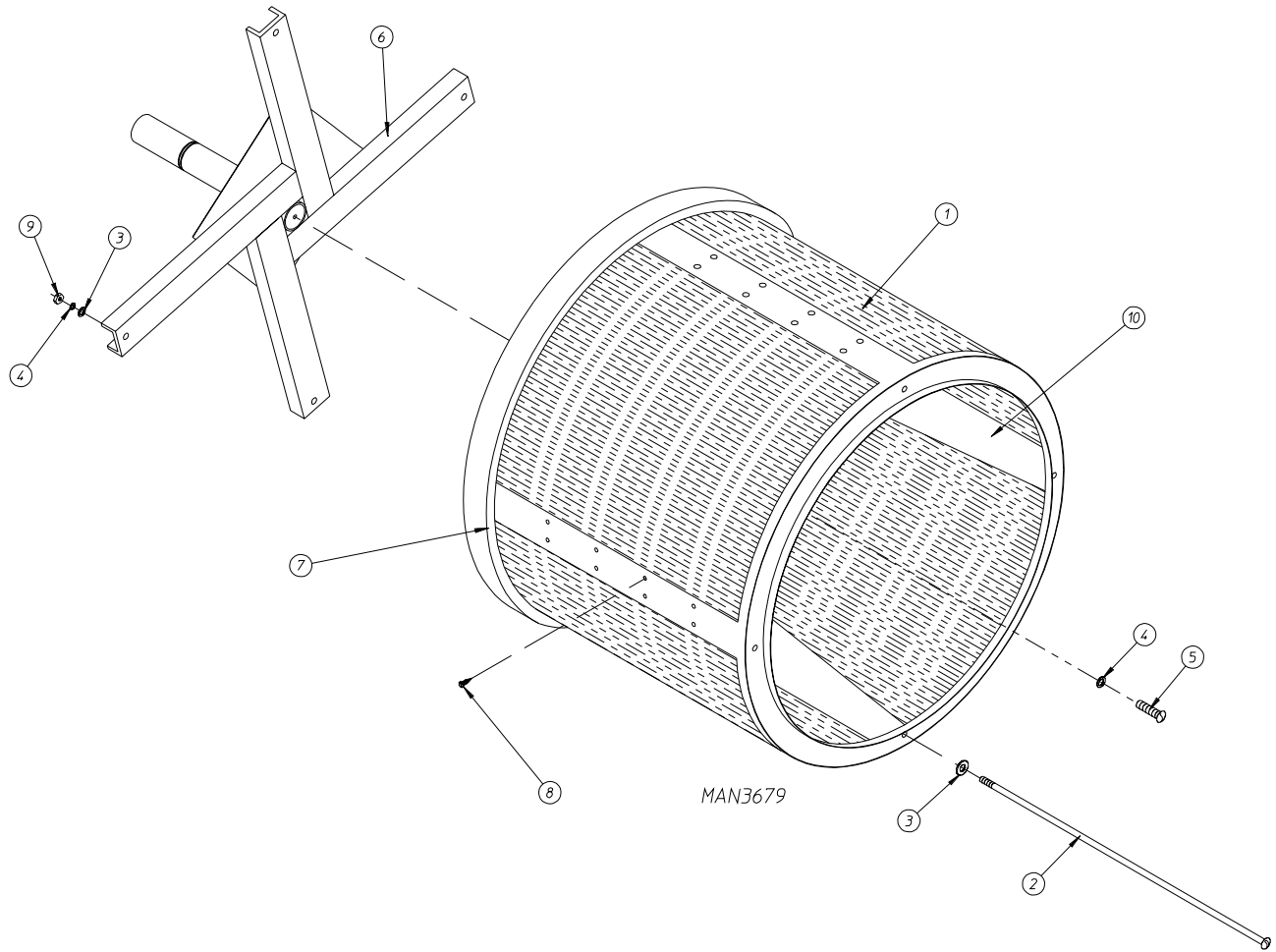


<u>Illus. No.</u>	<u>Part No.</u>	<u>Qty.</u>	<u>Description</u>
1	800150	1	Knob Latch Kit Assembly (includes illus. nos. 1 through 3)
	160200	1	Knob Latch ONLY with 2 Screws (without cam)
2	160009	1	Knob Latch Adjustable Cam ONLY
3	150425	1	#12-24 x 3/8" Round Head Machine Screw ONLY (screw for Knob Latch Adjustable Cam)
4	157000	1	Drop Lint Door Spring
5*	881870	1	White Drop Lint Door Assembly (includes illus. nos. 5 and 6)
	881862	1	Blue Drop Lint Door Assembly (includes illus. nos. 5 and 6)
6	117600	7	Noise Suppressor Tape (sold by the foot)
7	150419	2	#6 x 1/2" Tamperproof TEK Screw
	150418	1	Tamperproof Screw Hand Driver
8	108120	1	Chain for Drop Lint Door (10-1/2" length)

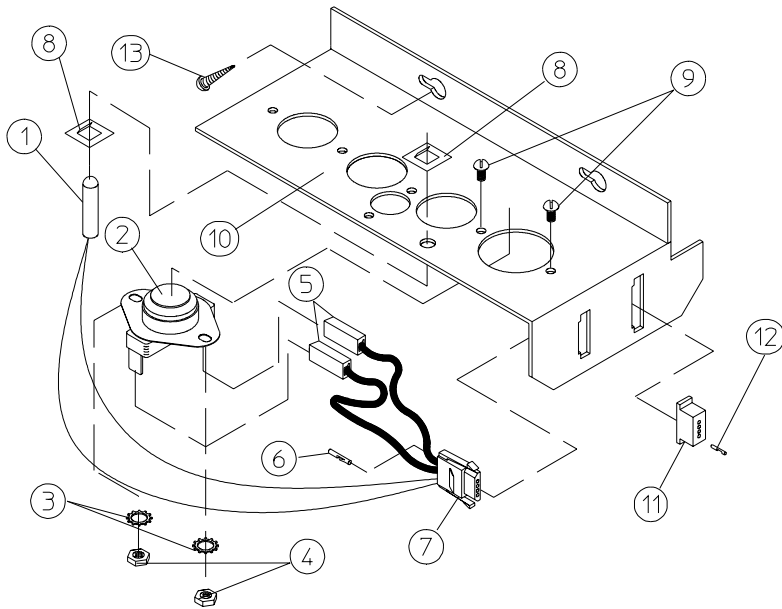
* Specify color when ordering.



<u>Illus. No.</u>	<u>Part No.</u>	<u>Qty.</u>	<u>Description</u>
1	800402	1	Non-Reversing Lint Trap Assembly Complete (includes illus. nos. 1, 3, 4, and 5)
	800404	1	Non-Reversing Lint Trap ONLY
	800407	1	Reversing Lint Trap Assembly Complete (includes illus. nos. 1, 3, 4, and 5)
	800406	1	Reversing Lint Trap ONLY
2	154200	7	5/32" Pop Rivet
3	304101	1	Lint Screen Holder ONLY
4	150300	2	#10 x 1/2" Hex Washer TEK Screw
5	800501	1	Lint Screen ONLY
6	150419	2	#6 x 1/2" Tamperproof TEK Screw
	150418	1	Tamperproof Screw Hand Driver
7	108120	1	Chain for Drop Lint Door (10-1/2" length)
8	150425	2	#12-24 x 3/8" Phillips Round Head Machine Screw
9	122116	1	Lint Drawer Switch ONLY
10	323724	1	Lint Drawer Switch Bracket
---	881769	1	Lint Drawer Switch Bracket Harness

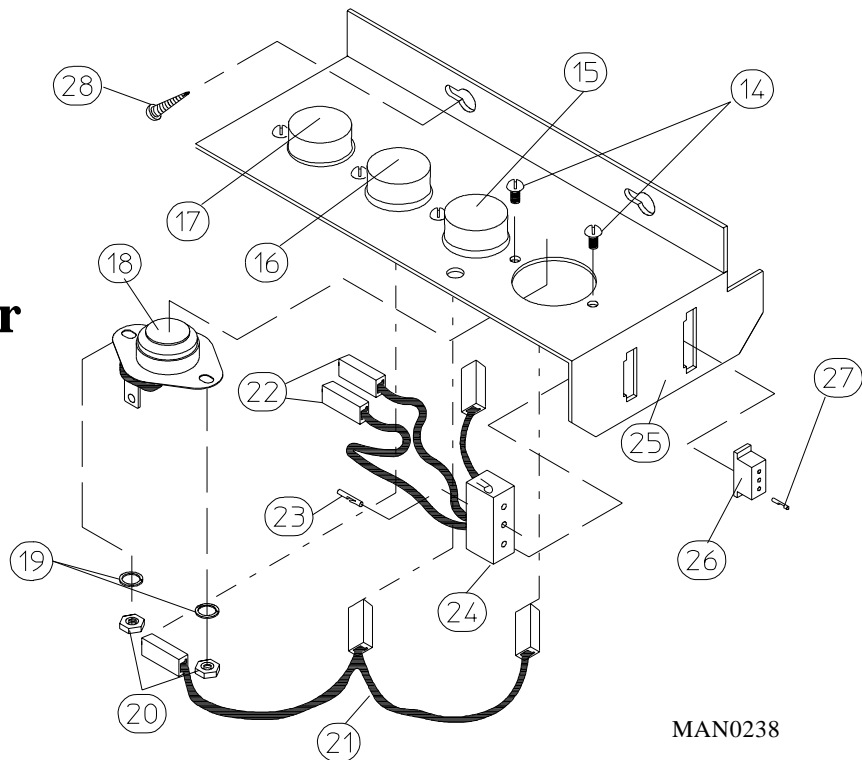


Illus. No.	Part No.	Qty.	Description
1	881774	1	Basket (Tumbler) ONLY with Felt Collar
	881829	1	Non-Reversing Basket (Tumbler) and Support Assembly Complete (includes illus. nos. 1 through 10)
	881777	1	Reversing Basket (Tumbler) and Support Assembly Complete (includes illus. nos. 1 through 10)
2	100902	4	5/16-18 x 31" Tie Rod
3	153001	8	5/16" Flat Washer
4	153002	5	5/16" Lock Washer
5	150500	1	5/16-18 x 3/4" Socket Button Head Screw
6	881828	1	Non-Reversing Basket (Tumbler) Support ONLY
	881776	1	Reversing Basket (Tumbler) Support ONLY
7	116000	1	Felt Collar ONLY
	401010	1	#847 Adhesive for Felt Collar
8	150309	40	#10-16 x 1/2" Hex Head TEK Crimptite Screw
9	152004	4	5/16" Hex Nut
10	301316	4	Basket (Tumbler) Rib ONLY



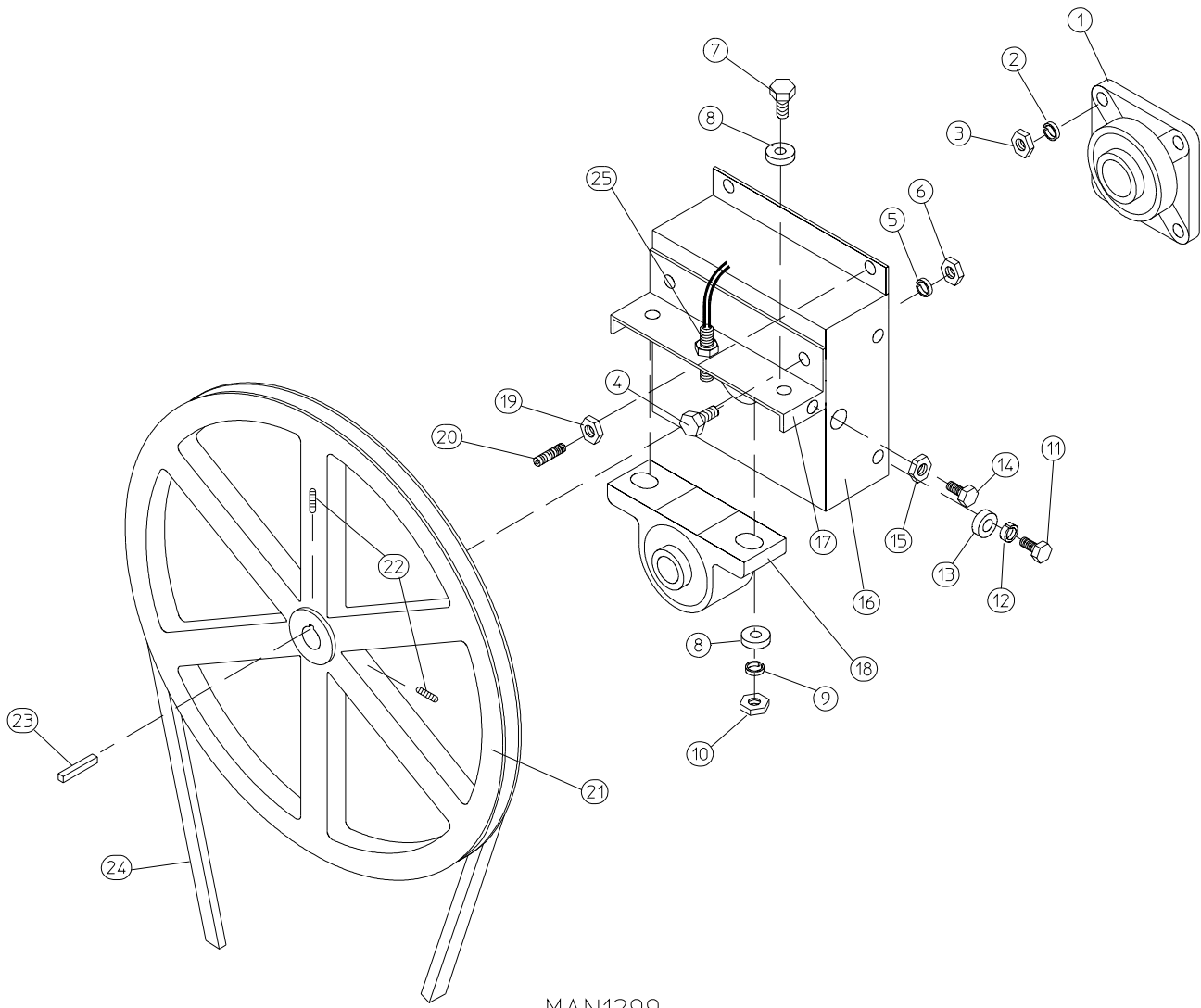
Microprocessor Sensor Bracket Assembly

Non-Computer Sensor Bracket Assembly



MAN0238

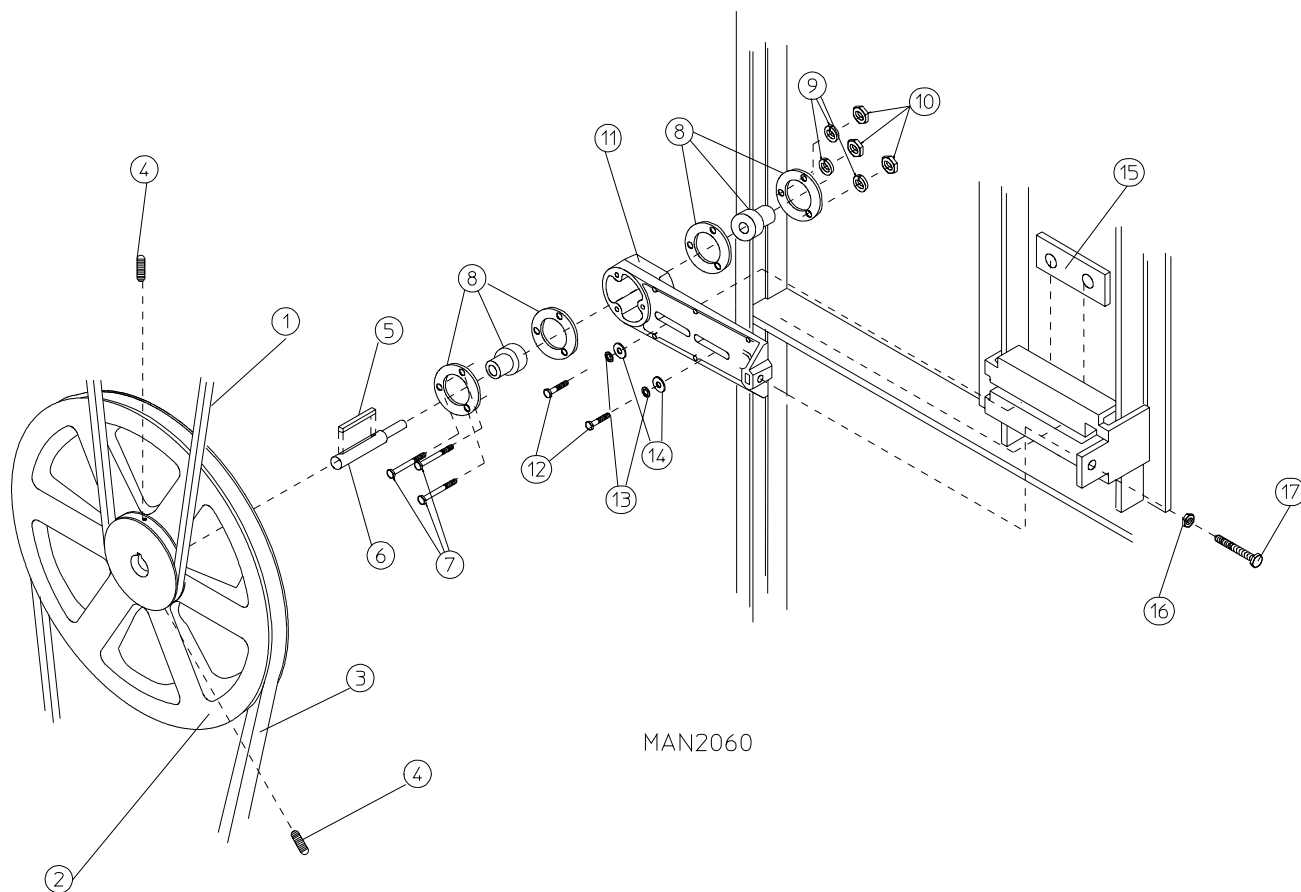
<u>Illus. No.</u>	<u>Part No.</u>	<u>Qty.</u>	<u>Description</u>
1	880251	1	1/4" Temperature Sensor Probe Assembly (includes illus. nos. 1 and 5 through 8)
2	130103	1	225° Large Automatic Thermostat
3	153010	2	#6 Star Washer
4	152000	2	#6-32 Hex Nut
5	121028	2	Insulated Terminal ONLY
6	122701	4	Socket Terminal ONLY
7	122605	1	4-Pin Socket Connector ONLY
8	154007	2	1/4" Tinnerman Push-on Fastener
9	150005	2	#6-32 x 1/4" Round Head Machine Screw
10	801425	1	Microprocessor Sensor Bracket Assembly Complete (includes illus. nos. 1 through 10)
	305007	1	Universal Sensor Bracket ONLY
11	122604	1	4-Pin Connector ONLY
12	122700	4	Pin Terminal ONLY
13	150301	2	#8-18 x 7/16" Phillips Pan Head TEK Screw
14	150005	5	#6-32 x 1/4" Phillips Round Head Machine Screw
15	130111	1	130° Large Thermostat
16	130100	1	150° Large Thermostat
17	130103	1	225° Large Automatic Reset Thermostat
18	130101	1	180° Large Thermostat
19	153010	5	#6 Star Washer
20	152000	5	#6-32 Hex Nut
21	840065	1	Sensor Jumper (4) ONLY
22	121028	8	Insulated Terminal ONLY
23	122701	4	Socket Terminal ONLY
24	122605	1	4-Pin Socket Connector ONLY
	840062	1	Sensor (4) Bracket Harness Assembly (includes illus. nos. 22 through 24)
25	801418	1	Non-Computer Sensor (4) Bracket Assembly Complete (includes thermostats) (includes illus. nos. 14 through 25)
	305007	1	Universal Sensor Bracket ONLY
26	122604	1	4-Pin Connector ONLY
27	122700	4	Pin Terminal ONLY
	122801	1	Pin/Socket Extraction Tool
28	150301	2	#8-18 x 7/16" Phillips Pan Head TEK Screw



MAN1299

<u>Illus. No.</u>	<u>Part No.</u>	<u>Qty.</u>	<u>Description</u>
1	880220	1	1-3/4" Flange Bearing with Nylock Set Screws
2	153005	4	3/8" Lock Washer
3	152005	4	3/8-16 Hex Nut
4	150508	2	3/8-16 x 3/4" Hex Head Machine Bolt
5	153005	2	3/8" Lock Washer
6	152005	2	3/8-16 Hex Nut
7	150600	2	3/8-16 x 1-1/2" Hex Head Machine Bolt
8	153004	*	3/8" Flat Washer
9	153005	2	3/8" Lock Washer
10	152005	2	3/8-16 Hex Nut
11	150501	4	5/16-18 x 3/4" Hex Head Machine Bolt
12	153002	4	5/16" Lock Washer
13	153001	4	5/16" Flat Washer
14	150621	2	5/16-18 x 1-1/2" Hex Head Machine Bolt
15	152004	2	5/16-18 Hex Nut
16	801101	1	1-3/8" Bearing Box Assembly Complete (includes illus. nos. 4 through 20) For models mfd. without Rotational Sensor
	801103	1	1-3/8" Bearing Box and Support ONLY (includes illus. nos. 4, 5, 6, 16, and 17)
	801105	1	1-3/8" Bearing Box ONLY
17	801104	1	Pillow Block Bearing Support ONLY
18	880202	1	1-3/8" Pillow Block Bearing with Nylock Set Screws For models mfd. without Rotational Sensor
	880779	1	1-3/8" Pillow Block Bearing Assembly with Magnet (for models mfd. with Optional Rotational Sensor)
19	152004	2	5/16-18 Hex Nut
20	150608	2	5/16-18 x 1-1/4" Allen Set Screw
21	101100	1	18" Pulley (for Non-Reversing Models Only)
	101118	1	18-3/4" Pulley (for Reversing Models Only)
	101119	1	1-3/8" Taper Lock Hub (key not included) For Reversing Models ONLY
22	154301	2	5/16-18 x 5/16" Allen Set Screw
23	100713	1	1/4" x 1/4" x 7/8" Key
24	100106	1	5L-690 V-Belt (tumbler [basket] to idler)
25	824807	1	Rotational Sensor Assembly (for models mfd. with Optional Rotational Sensor)

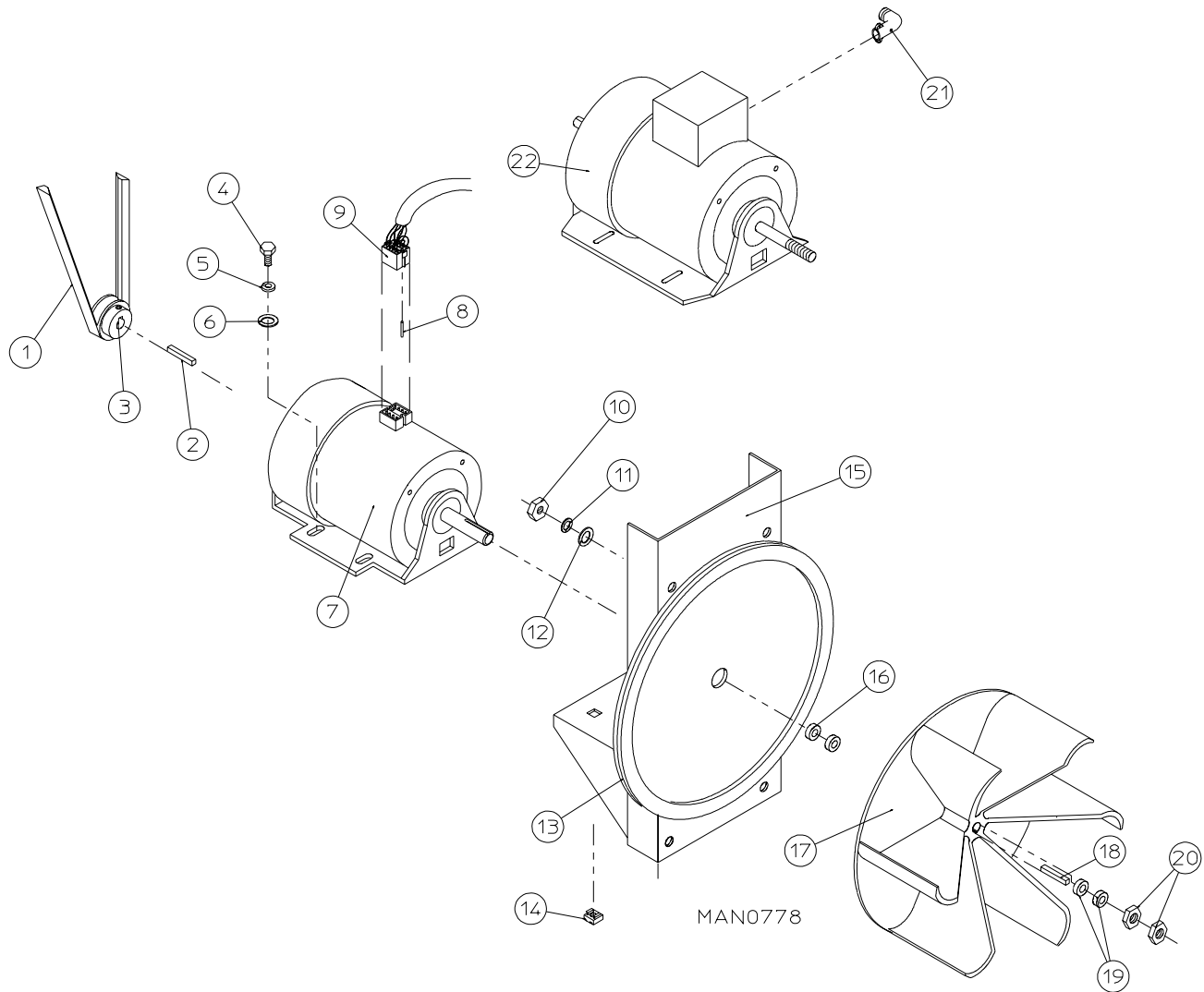
* As required.



MAN2060

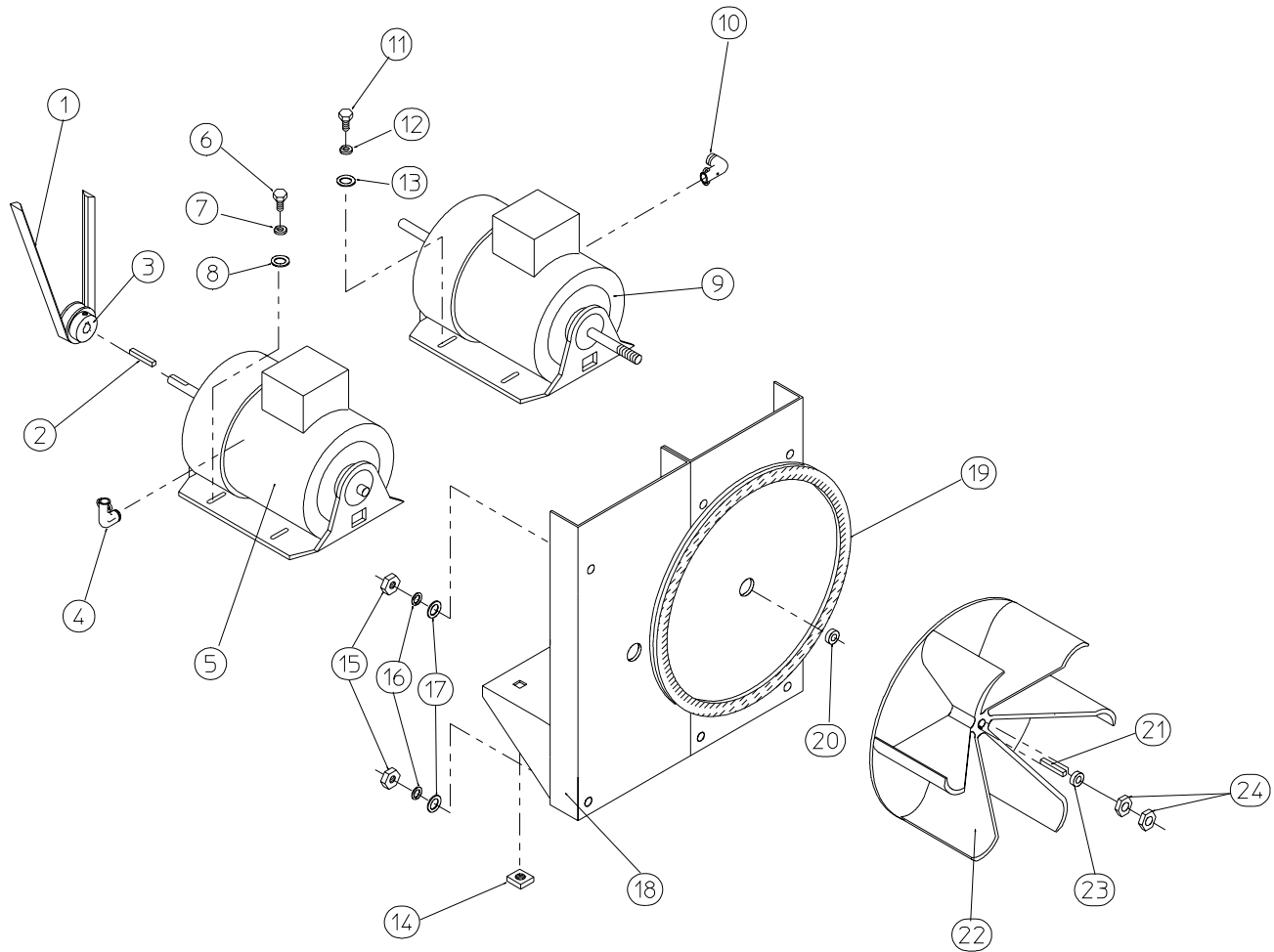
<u>Illus. No.</u>	<u>Part No.</u>	<u>Qty.</u>	<u>Description</u>
1	100106	1	5L-690 V-Belt (idler to basket [tumbler])
2	101140	1	14" x 3" Compound Pulley
3	100114	1	4L-630 V-Belt (idler to motor)
4	154301	2	5/16-18 x 1" Allen Set Screw
5	100705	1	3/16" x 3/16" x 1-3/8" Key
6	301850	1	5/8" x 3/4" Idler Shaft ONLY
7	150529	3	1/4-20 x 2-1/4" Carriage Bolt
8	880214	2	5/8" Flange Bearing with Nylock Set Screws
9	153007	3	1/4" Lock Washer
10	152002	3	1/4-20 Hex Nut
11	801007	1	Idler Bearing Assembly Complete (includes illus. nos. 5 through 17)
12	150617	2	3/8-16 x 1" Hex Head Machine Bolt
13	153005	2	3/8" Lock Washer
14	153004	2	3/8" Flat Washer
15	801009	1	Idler Square Washer
16	152004	1	5/16-18 Hex Nut
17	150509	1	5/16-18 x 3" Hex Head Machine Bolt

24 *Non-Reversing Totally Enclosed, Fan-Cooled (T.E.F.C.) Motor Mount Assembly*



<u>Illus. No.</u>	<u>Part No.</u>	<u>Qty.</u>	<u>Description</u>
1	100114	1	4L-630 V-Belt (motor to idler)
2	100701	1	3/16" x 3/16" x 1" Key
3	101133	1	5/8" x 2-1/4" Motor Pulley (for 60 Hz Models Only)
	101130	1	5/8" x 2-1/2" Motor Pulley (for 50 Hz Models Only)
4	150501	4	5/16-18 x 3/4" Hex Head Machine Bolt
5	153002	4	5/16" Lock Washer
6	153001	4	5/16" Flat Washer
7	100069*	1	3/4 HP 120/230v 1ø 60 Hz T.E.F.C. Motor with Plug (56Z frame)
8	122701	8	Socket Terminal ONLY
	122801	1	Pin/Socket Extraction Tool
9	137030	1	8-Pin Housing Connector
10	152004	4	5/16-18 Hex Nut
11	153002	4	5/16" Lock Washer
12	153001	4	5/16" Flat Washer
13	117600	4	Noise Suppressor Tape (sold by the foot)
14	154000	4	5/16-18 Tinnerman Nut
15	800906	1	Non-Reversing Motor Mount ONLY (56Z frame)
	803774*	1	3/4 HP 120/230v 1ø 60 Hz T.E.F.C. Motor Mount Assembly Complete with Plug Motor (includes illus. nos. 3 through 7 and 13 through 20)
	803785	1	3/4 HP 230v 1ø 50 Hz T.E.F.C. Motor Mount Assembly Complete with Plug Motor (includes illus. nos. 3 through 7 and 13 through 22)
	803771*	1	1/2 HP 208/230/380/460v 3ø 60 Hz Non-Reversing T.E.F.C. Motor Mount Assembly Complete (includes illus. nos. 2 through 6 and 13 through 22)
	803776*	1	1/2 HP 208/230/380/460v 3ø 50 Hz Non-Reversing T.E.F.C. Motor Mount Assembly Complete (includes illus. nos. 2 through 6 and 13 through 22)
16	153050	2	1/2" S.A.E. Flat Washer
17	100604	1	12-1/2" Impellor (Fan/Blower) with 1/2" Bore
18	100702	1	1/8" x 1/8" x 1-1/2" Key
19	153050	2	1/2" S.A.E. Flat Washer
20	152006	2	1/2-20 Left Hand Jam Nut
21	120200	1	3/8" x 90° Connector
22*	100007	1	1/2 HP 208/230/240/460v 3ø 50/60 Hz T.E.F.C. Motor (56Z frame)

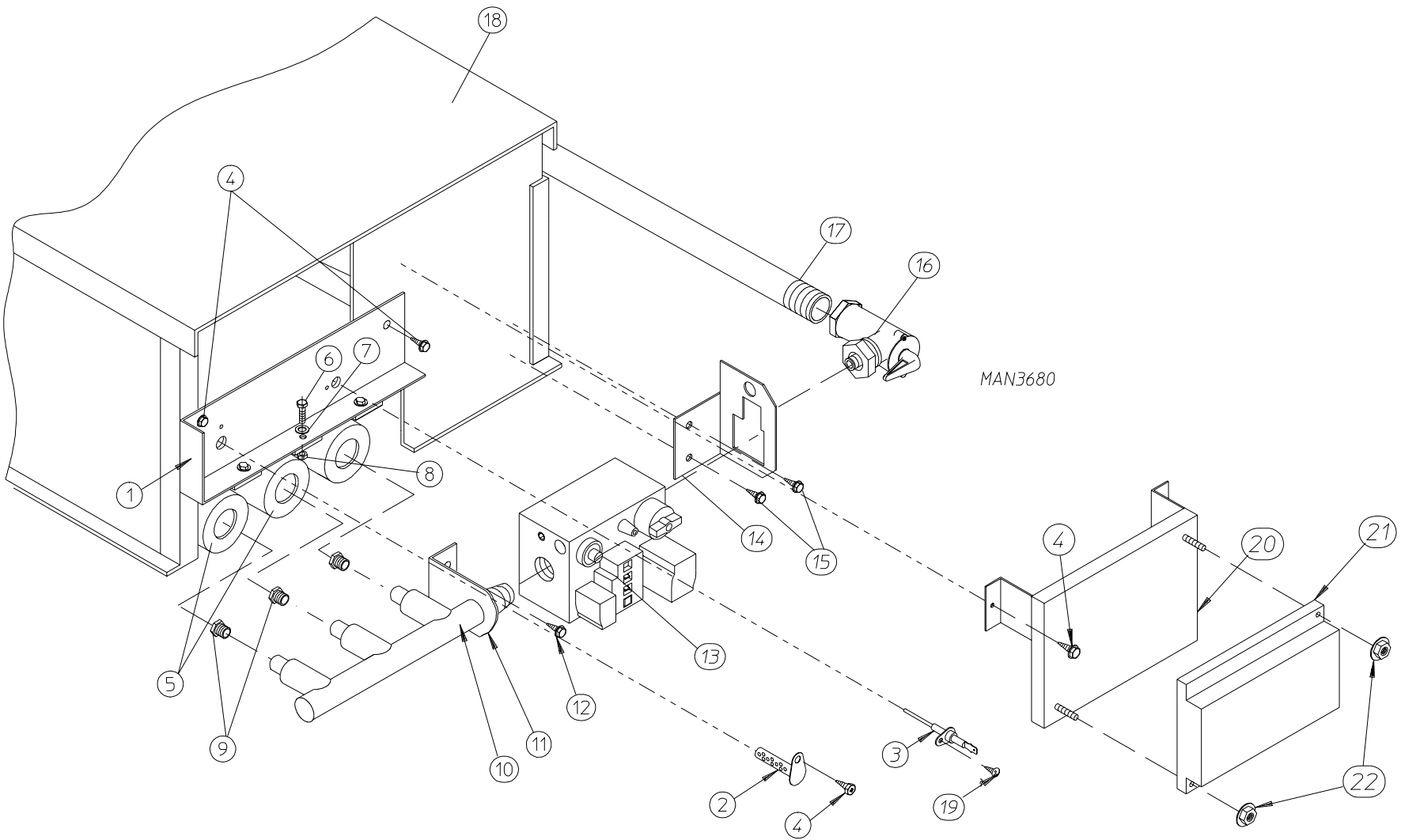
* Specify voltage when ordering.



MAN0250

<u>Illus. No.</u>	<u>Part No.</u>	<u>Qty.</u>	<u>Description</u>
1	100114	1	4L-630 V-Belt (motor to idler)
2	100701	1	3/16" x 3/16" x 1" Key
3	101133	1	5/8" x 2-3/4" Motor Pulley (for 60 Hz Models Only)
	101130	1	5/8" x 2-1/2" Motor Pulley (for 50 Hz Models Only)
4	120200	1	3/8" x 90° Connector
5*	181003	1	1/2 HP 208/230/380/460v 3ø 50/60 Hz T.E.F.C. (56Z frame)
6	150501	4	5/16-18 x 3/4" Hex Head Machine Bolt
7	153002	4	5/16" Lock Washer
8	153001	4	5/16" Flat Washer
9*	100007	1	1/2 HP 208/230/240/460v 3ø 50/60 Hz T.E.F.C. Motor (56Z frame)
10	120200	1	3/8" x 90° Connector
11	150501	4	5/16-18 x 3/4" Hex Head Machine Bolt
12	153002	4	5/16" Lock Washer
13	153001	4	5/16" Flat Washer
14	154000	8	5/16" Tinnerman Nut
15	152004	4	5/16" Hex Nut
16	153002	4	5/16" Lock Washer
17	153001	4	5/16" Flat Washer
18	800912	1	Reversing Motor Mount ONLY (56Z frame)
	803993*	1	Reversing T.E.F.C. Motor Mount Assembly Complete (includes illus. nos. 2 through 14 and 18 through 24) For 60 Hz Models ONLY
	803994*	1	Reversing T.E.F.C. Motor Mount Assembly Complete For 50 Hz Models ONLY (includes illus. nos. 2 through 14 and 18 through 24)
19	117600	4	Noise Suppressor Tape (sold by the foot)
20	153050	2	1/2" S.A.E. Flat Washer
21	100702	1	1/8" x 1/8" x 1-1/2" Key
22	100604	1	12-1/2" Impellor (Fan/Blower) with 1/2" Bore
23	153050	2	1/2" S.A.E. Flat Washer
24	152006	2	1/2-20 Left Hand Jam Nut

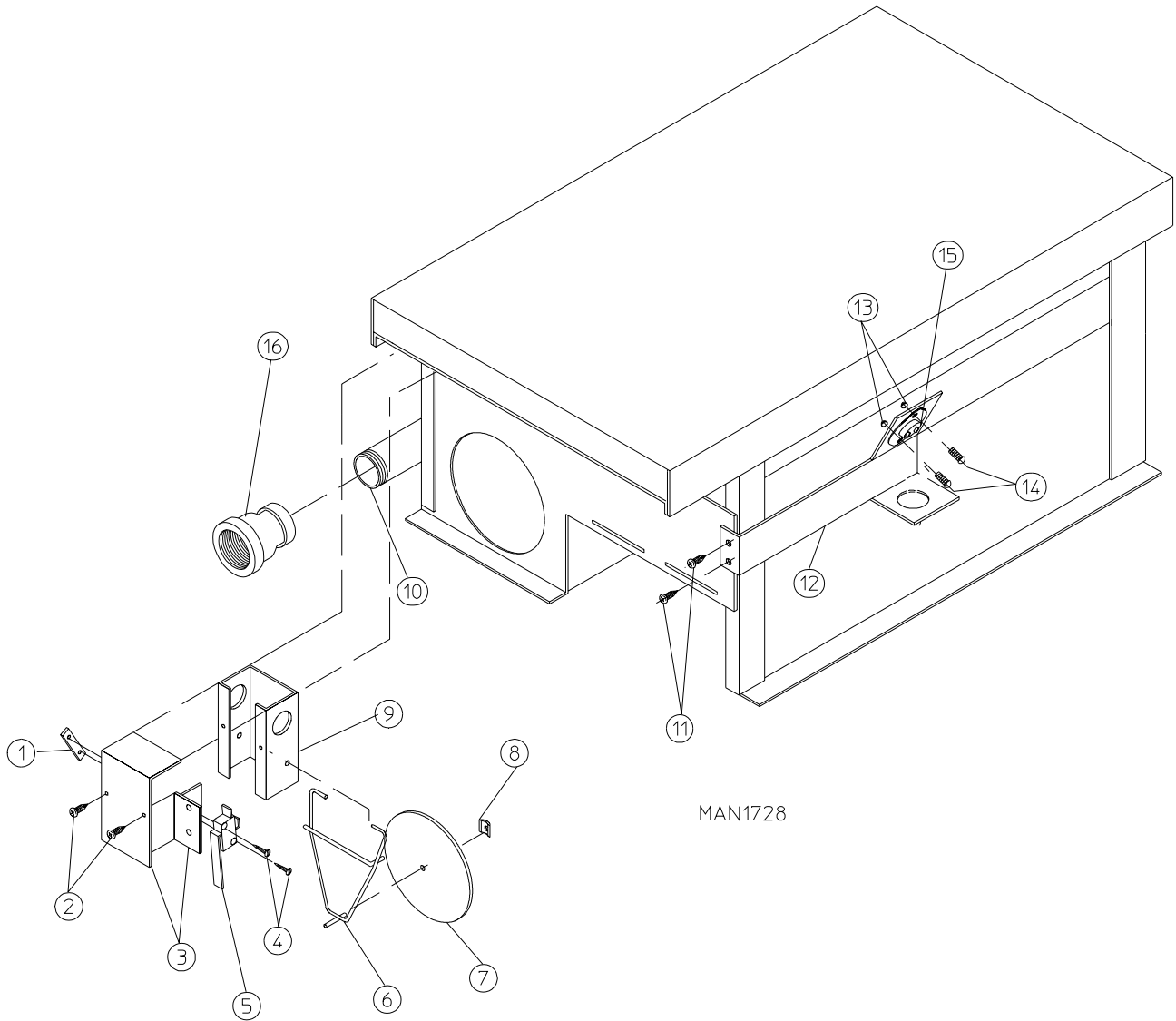
* Specify voltage when ordering.



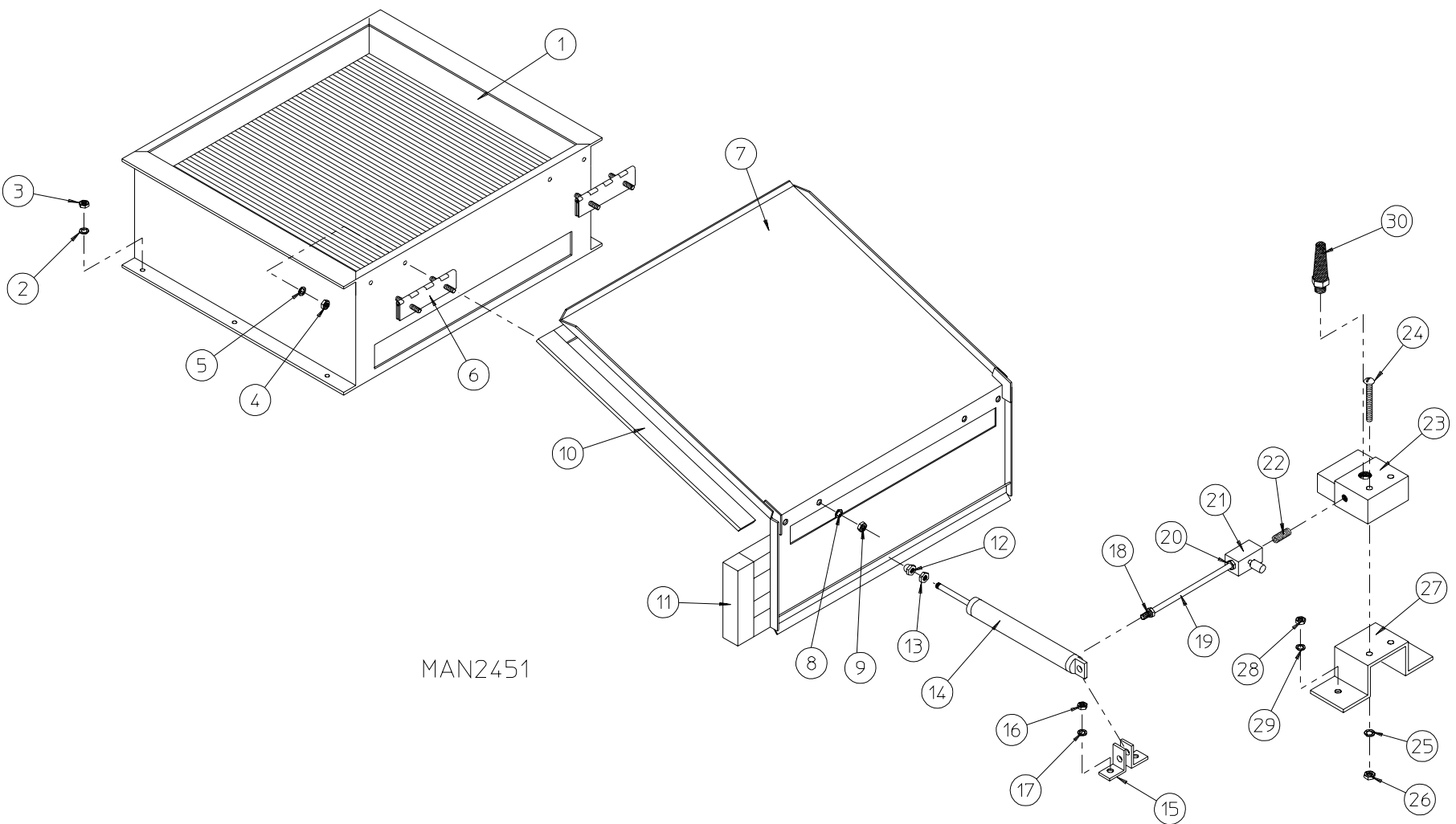
<u>Illus. No.</u>	<u>Part No.</u>	<u>Qty.</u>	<u>Description</u>
1	318403	1	HSI (Hot Surface Ignition) Burner Shield
2	881597	1	Hot Surface Ignitor (HSI) - 24 VAC (2-1/2" length)
3	128921	1	HSI (Hot Surface Ignition) Flame Sensor
4	150309	2	#10-16 x 1/2" Hex Head TEK Crimptite Screw
5	141105	3	Large Burner Tube
6	150103	1	#8-32 x 1/2" Phillips Round Head Machine Screw
7	153000	1	#8 Steel Burr
8	151001	1	#8-32 Pal Nut
9*	-----	3	Burner Orifice (refer to HSI Burner Orifice Listing on page 45)
10	141232	1	3-Port Manifold
11	318700	1	Pipe Bracket
12	150300	2	#10 x 1/2" Hex Washer TEK Screw
13	128927	1	1/2" 24 VAC Redundant (natural gas) Gas Valve
	880960	1	1/2" 24 VAC L.P. (liquid propane) Gas Valve Assembly
	140411	1	24 VAC Gas Valve L.P. (liquid propane) Conversion Kit
14	318712	2	GV Pipe Bracket
15	150309	2	#10-32 x 1/2" Hex Head TEK Crimptite Screw
16	881367	1	1/2" Union Shut Off with Tail Piece
17	142809	1	1/2" x 29-1/8" Pipe
18	-----**	1	HSI (Hot Surface Ignition) Burner Assembly (refer to HSI Burner Assembly Listing on page 45)
	881865	1	Non-Heat Reclaimer Burner Box ONLY without HSI Burner Shield
19	150301	1	#8-18 x 7/16" Phillips Pan Head TEK Screw
20	810029	1	HSI (Hot Surface Ignition) Module Bracket Assembly
21	881797	1	HSI (Hot Surface Ignition) Module II
22	151001	2	#8-32 Pal Nut
---*	-----	1	HSI (Hot Surface Ignition) L.P. Conversion Kit (refer to HSI L.P. Conversion Kit Listing on page 45)

* Consult factory for elevations over 2,000 feet.

** Burner orifices *are not included* and **must be** ordered separately.

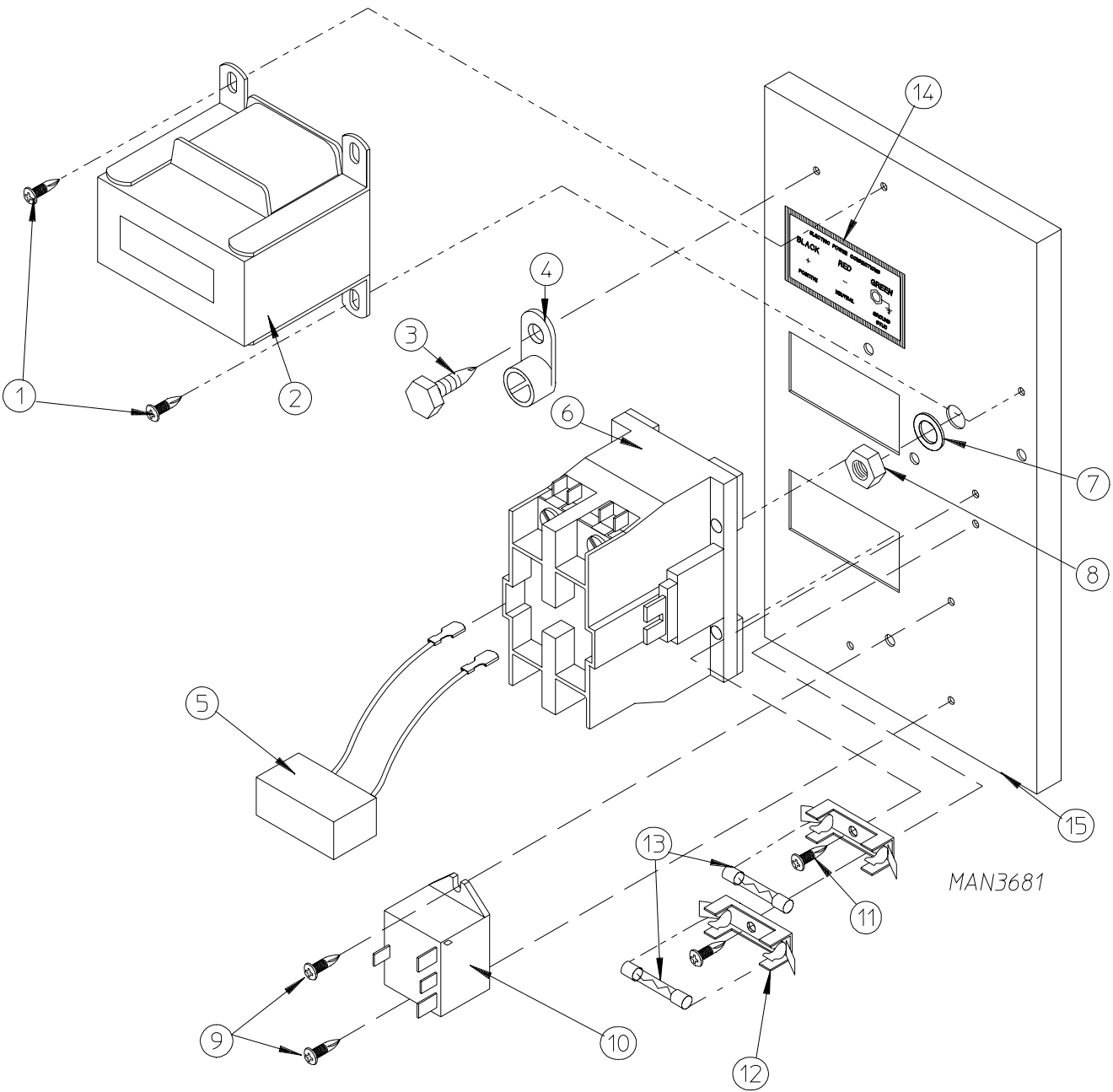


<u>Illus. No.</u>	<u>Part No.</u>	<u>Qty.</u>	<u>Description</u>
1	154004	1	Twin Speed Nut
2	150309	2	#10-16 x 1/2" Hex Head TEK Crimptite Screw
3	802799	1	Sail Switch Box Cover and Bracket ONLY
4	150303	2	#4 x 3/4" Pan Head "A" Machine Screw
5	122200	1	Sail Switch ONLY (for Microprocessor [computer] Models Only)
	122404	1	Sail Switch ONLY (for Non-Microprocessor Models)
6	105500	1	Sail Switch Actuator Rod
7	319202	1	Sail Switch Damper (flat)
8	154002	1	1/8" Push-on Fastener
9	802800	1	Sail Switch Box with Cover and Bracket ONLY
	802801	1	Sail Switch Assembly Complete For Microprocessor Models ONLY (includes illus. nos. 1 through 8)
	882010	1	Sail Switch Assembly Complete For Non-Microprocessor Models ONLY (includes illus. nos. 1 through 8)
10	142809	1	1/2" x 29-1/8" Pipe
11	150309	2	#10-16 x 1/2" Hex Head TEK Crimptite Screw
12	319704	1	Hi-Limit Mounting Bracket ONLY
13	151000	2	#6-32 Pal Nut
14	150001	2	#6-32 x 1/2" Round Head Machine Screw
15	130401	1	330° Hi-Limit ONLY
16	143000	1	1/2" x 3/4" Reducing Coupling



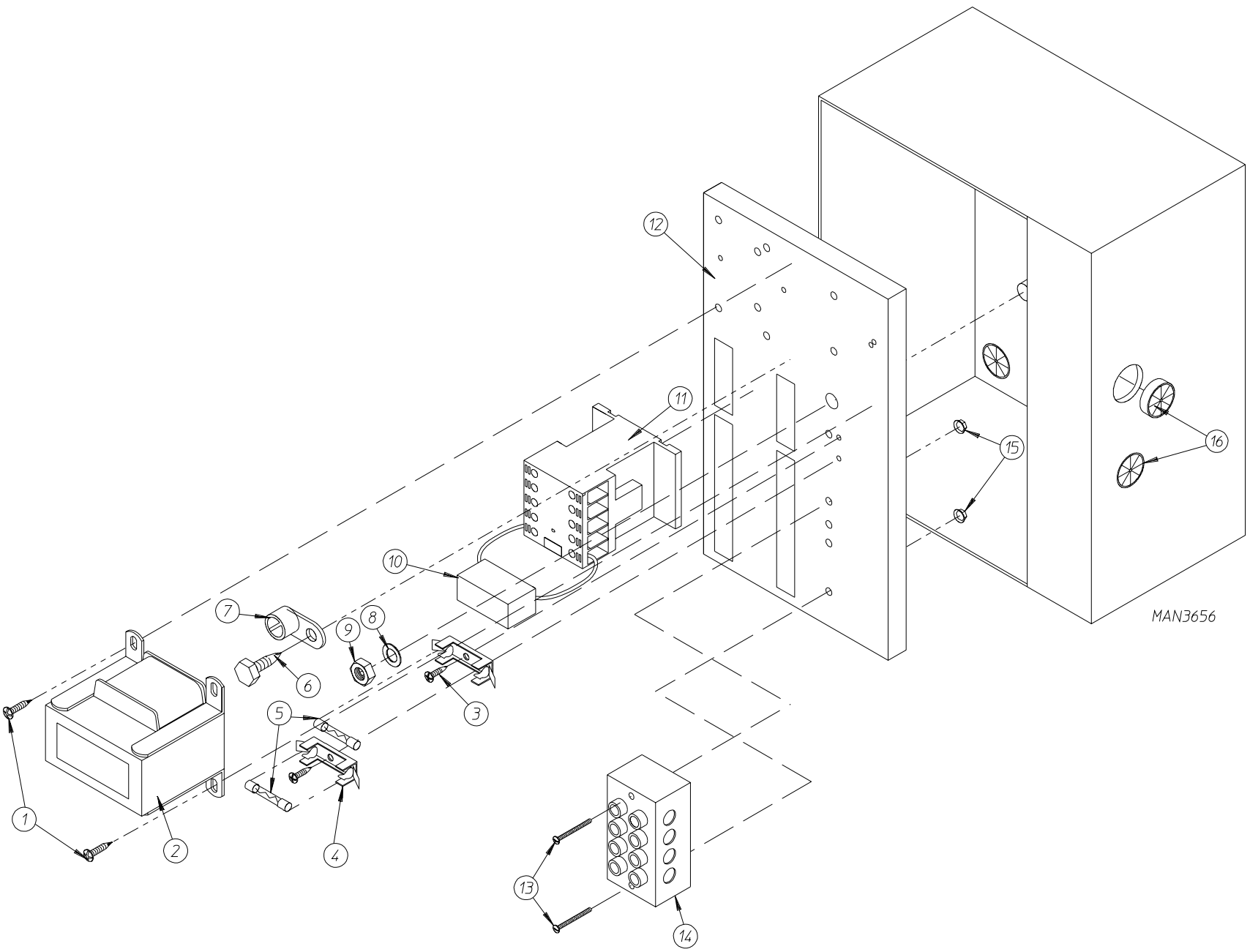
MAN2451

<u>Illus. No.</u>	<u>Part No.</u>	<u>Qty.</u>	<u>Description</u>
1	165011	1	Steam Coil Assembly
2	153002	6	5/16" Lock Washer
3	152004	6	5/16-18 Hex Nut
4	152002	4	1/4-20 Hex Nut
5	153007	4	1/4" Lock Washer
6	820321	2	Steam Damper Hinge Assembly
7	803416	1	Steam Damper Assembly (includes illus. nos. 7, 10, and 11)
8	153007	4	1/4" Lock Washer
9	152002	4	1/4-20 Hex Nut
10	115995	66	Steam Damper Gasket (sold by the inch)
11	102350	1	Steam Damper Foam (68-1/2" length)
12	151006	1	5/16-24 Stainless Steel Acorn Nut
13	152051	1	5/16-24 Right Hand Jam Nut
14	100497	1	1-1/4" Bore x 3" Stroke Piston
15	100492	2	Piston Support Bracket
16	152002	2	1/4-20 Hex Nut
17	153007	2	1/4" Lock Washer
18	100472	1	1/4" Poly x 1/8" M.P.T. Connector
19	143110	1	1/4" Poly Flow Tubing (sold by the foot)
20	100472	1	1/4" Poly x 1/8" M.P.T. Connector
21	100496	1	1/8" Needle Valve
22	143238	1	1/8" Close Nipple
23	100498	1	3-Way Micro Valve - 24 VAC
24	150002	2	#6-32 x 1" Slotted Machine Screw
25	153010	2	#6 Star Washer
26	152000	2	#6-32 Hex Nut
27	330987	1	Micro Valve Support Bracket
28	152002	2	1/4-20 Hex Nut
29	153007	2	1/4" Lock Washer
30	100520	1	1/8" N.P.T. Silencer (muffler)



<u>Illus. No.</u>	<u>Part No.</u>	<u>Qty.</u>	<u>Description</u>
1	150301	2	#8-18 x 7/16" Phillips Pan Head TEK Screw
2	-----	1	24 VAC Transformer (refer to Step Down Transformer Usage Listing on page 46)
3	150247	1	#10 x 1/2" Hex Washer TEK Screw - Green
4	121010	1	L-70 Ground Lug
5	824828	1	RC Network with Connectors (for Microprocessor [computer] Models Only)
6	132451	1	Double Pole Contactor - 24 VAC
7	153002	1	5/16" Lock Washer
8	152004	1	5/16-18 Hex Nut
9	150301	2	#8-18 x 7/16" Phillips Pan Head TEK Screw
10	131814	1	Motor Control Relay (for <u>120 volt models Only</u>)
	131815	1	Motor Control Relay (for <u>208/240 volt models Only</u>)
11	150301	*	#8-18 x 7/16" Phillips Pan Head TEK Screw
12	136008	*	Fuse Holder ONLY
13	136057	*	1/2-Amp (Slo Blo) Fuse
14	112039	1	"Black/Red/Green Ground" Label (for <u>120 volt models Only</u>)
	112035	1	"Black/Red/Green Ground" Label (for <u>208/240 volt models Only</u>)
15	306304	1	Rear Electric Relay Panel ONLY

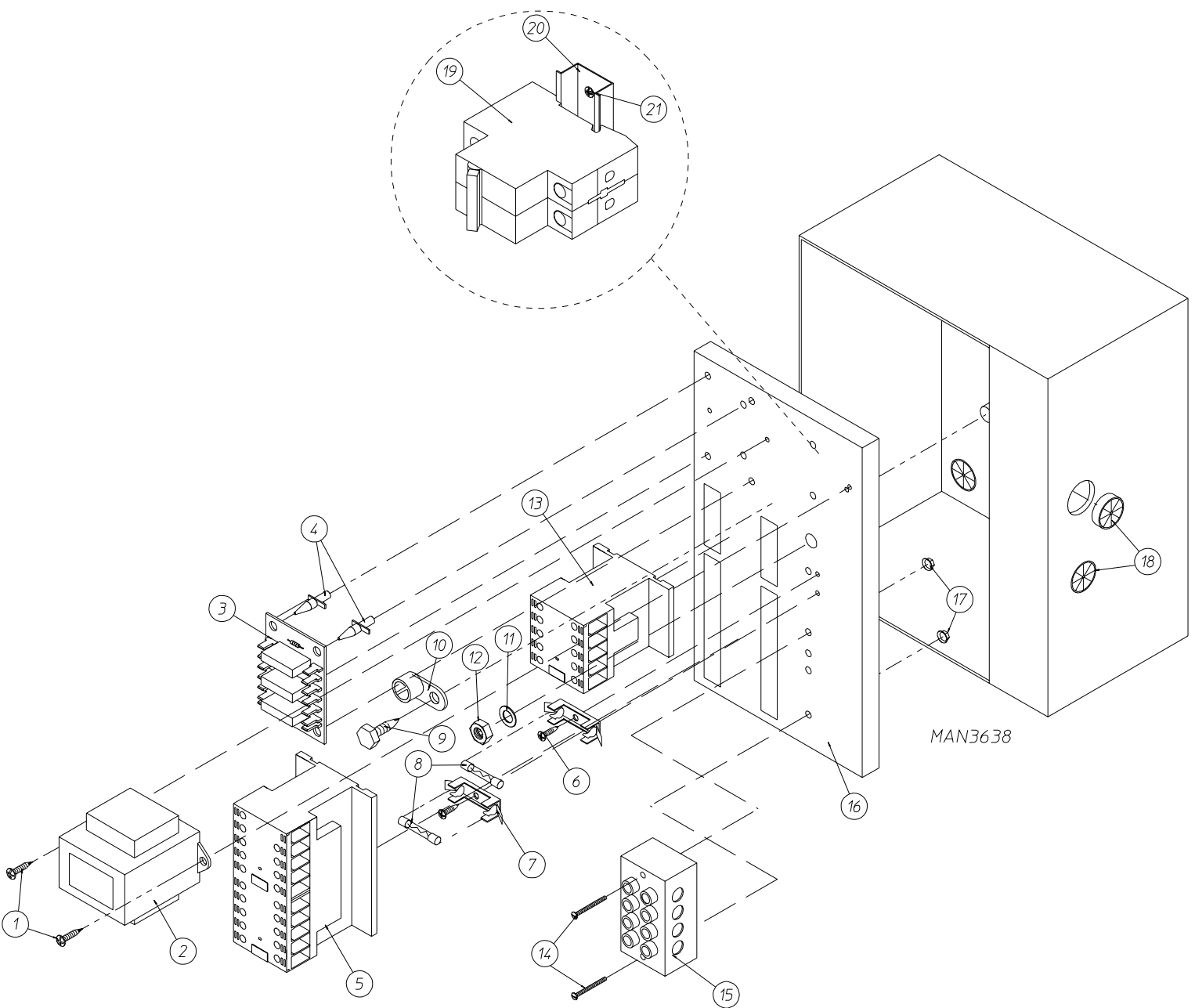
* As required.



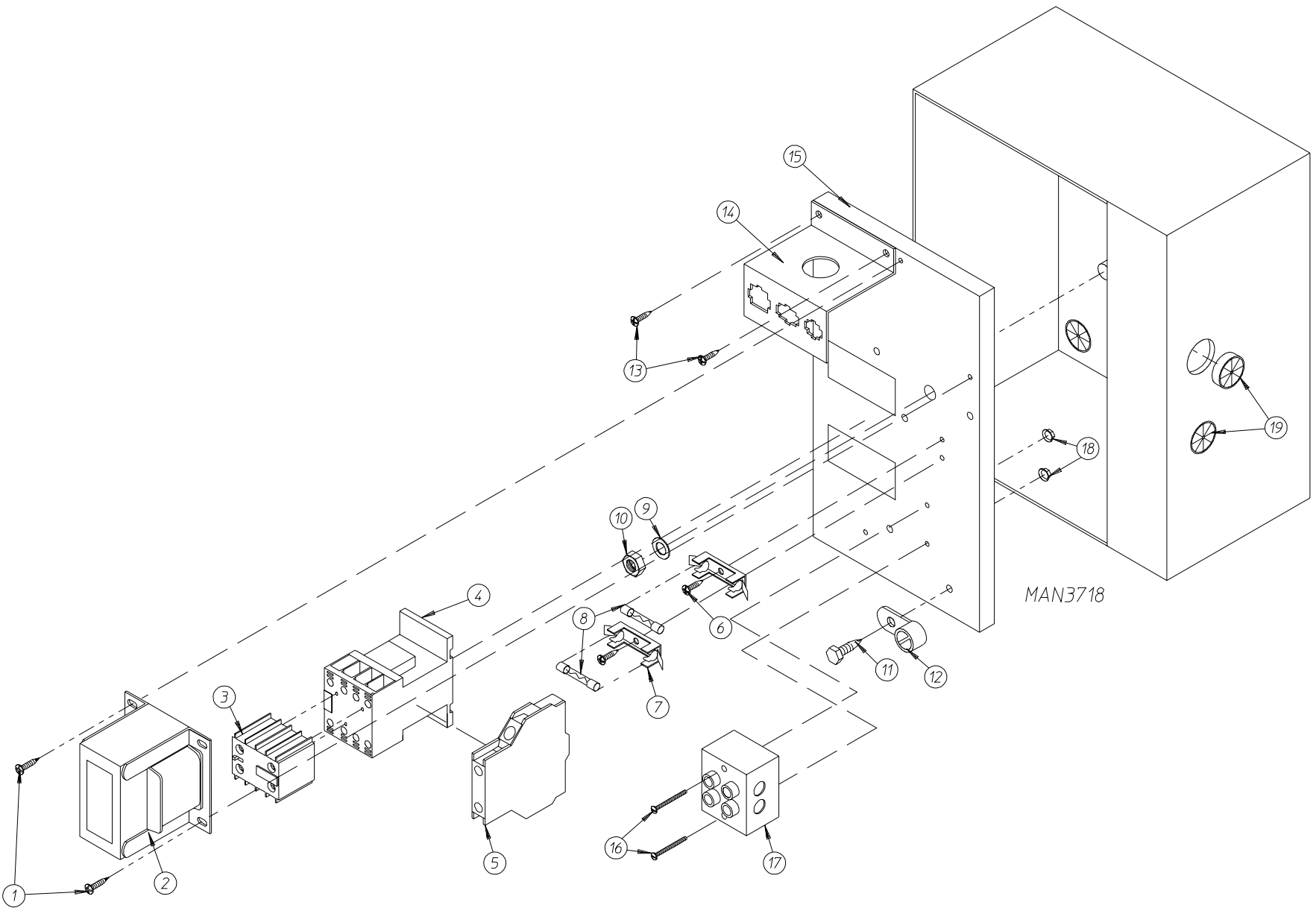
MAN3656

<u>Illus. No.</u>	<u>Part No.</u>	<u>Qty.</u>	<u>Description</u>
1	150300	2	#10 x 1/2" Hex Washer TEK Screw
2	-----	1	24 VAC Transformer (refer to Step Down Transformer Usage Listing on page 46)
3	150301	*	#8-18 x 7/16" Phillips Pan Head TEK Screw
4	136008	*	Fuse Holder ONLY
5	136057	*	1/2-Amp (Slo Blo) Fuse
6	150297	1	#10 x 1/2" Hex Washer TEK Screw - Green
7	121010	1	L-70 Ground Lug
8	153002	1	5/16" Lock Washer
9	152004	1	5/16-18 Hex Nut
10	137015	1	RC Network
11	132447	1	3-Pole Contactor - 24 VAC
12	322812	1	Electric Relay Panel ONLY
	881800	1	<u>208/240 Volt</u> - 3 ϕ Non-Reversing Electric Relay Panel Assembly Complete (includes illus. nos. 1 through 11, 13, and 15) For use on Gas Models ONLY
13	150008	2	#6-32 x 1-1/4" Phillips Round Head Machine Screw
14	120701	1	4-Position Terminal Block
15	151000	2	#6-32 Pal Nut
16	121300	3	Open/Closed Bushing

* As required.

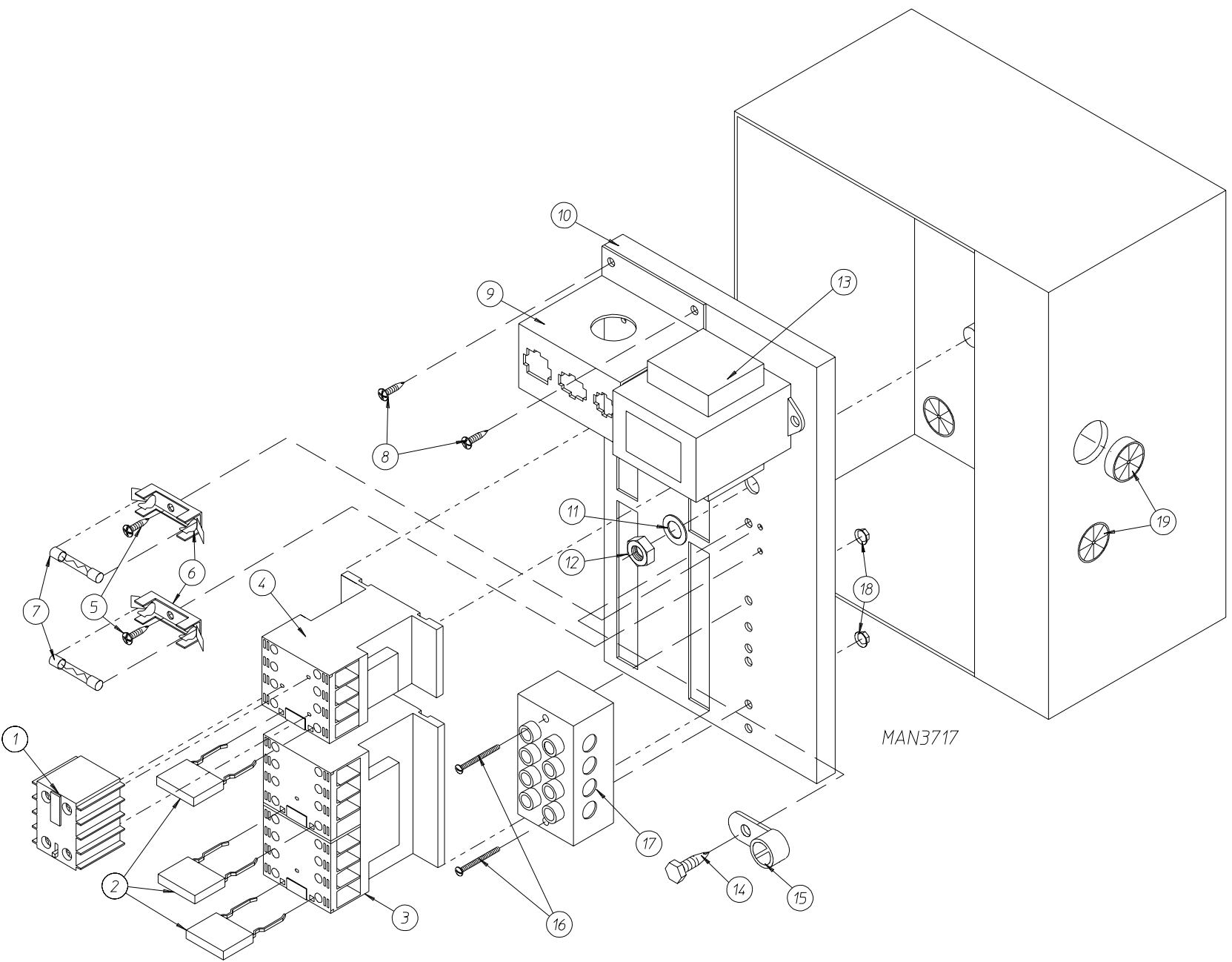


<u>Illus. No.</u>	<u>Part No.</u>	<u>Qty.</u>	<u>Description</u>
1	150300	2	#10 x 1/2" Hex Washer TEK Screw
2	-----	1	24 VAC Transformer (refer to Step Down Transformer Usage Listing on page 46)
3	137060	1	Arc Suppressor (A.S.) Board
4	137013	4	Nylon Standoff
5	132448	1	Reversing Contactor - 24 VAC (for <u>208-230/240/380/460 volt models Only</u>)
6	150301	2	#8-18 x 7/16" Phillips Pan Head TEK Screw
7	136008	2	Fuse Holder ONLY (for <u>208-230/240 volt models Only</u>)
8	136057	2	1/2-Amp (Slo Blo) Fuse (for <u>208-230/240 volt models Only</u>)
9	150297	1	#10 x 1/2" Hex Washer TEK Screw - Green
10	121010	1	L-70 Ground Lug
11	153002	1	5/16" Lock Washer
12	152004	1	5/16-18 Hex Nut
13	132447	1	3-Pole Contactor - 24 VAC
14	150008	2	#6-32 x 1-1/4" Phillips Round Head Machine Screw
15	120701	1	4-Position Terminal Block
16	322812	1	Electric Relay Panel ONLY
	881764	1	<u>208-230/240 Volt</u> Reversing Electric Relay Panel Assembly Complete (includes illus. nos. 1 through 11, 13 through 17, 19, 20, and 21) For use on Gas Models ONLY
	881766	1	<u>380/416 Volt</u> Reversing Electric Relay Panel Assembly Complete (includes illus. nos. 1 through 11, 13 through 17, 19, 20, and 21) For use on Gas Models ONLY
	881719	1	<u>460 Volt</u> Reversing Electric Relay Panel Assembly Complete (includes illus. nos. 1 through 11, 13 through 17, 19, 20, and 21) For use on Gas Models ONLY
	881755	1	<u>208-230/240 Volt</u> Reversing Electric Relay Panel Assembly Complete (includes illus. nos. 1 through 11, 13 through 17, 19, 20, and 21) For use on Steam Models ONLY
	881765	1	<u>380/416 Volt</u> Reversing Electric Relay Panel Assembly Complete (includes illus. nos. 1 through 11, 13 through 17, 19, 20, and 21) For use on Steam Models ONLY
17	151000	2	#6-32 Pal Nut
18	121300	3	Open/Closed Bushing
19	135501	1	1-Amp Double Pole Circuit Breaker (for <u>460/480 volt models Only</u>)
20	120768	2	Din Mounting Rail (sold by the inch) For <u>460/480 volt models ONLY</u>
21	150300	2	#10 x 1/2" Hex Washer TEK Screw (for <u>460/480 volt models Only</u>)

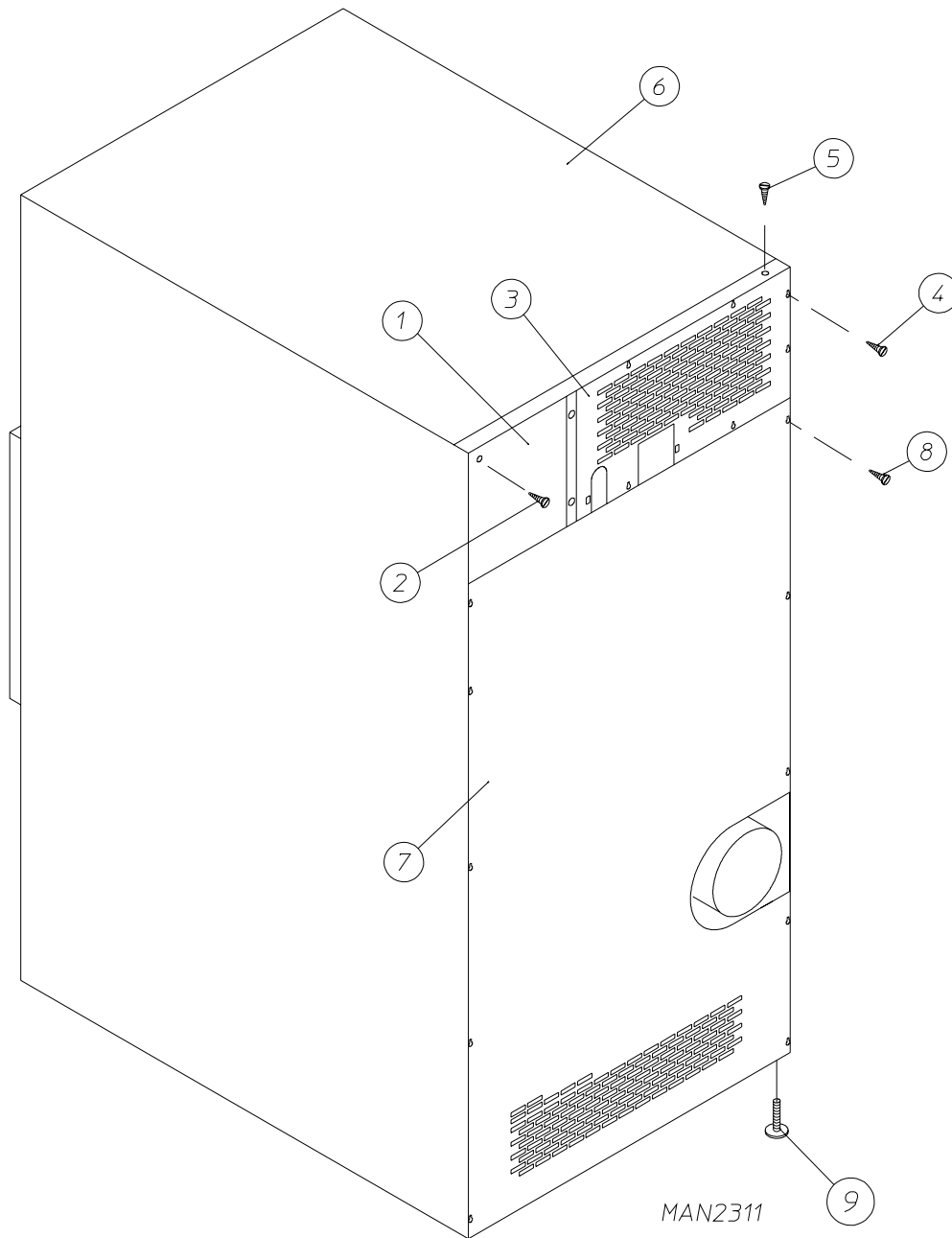


<u>Illus. No.</u>	<u>Part No.</u>	<u>Qty.</u>	<u>Description</u>
1	150300	2	#10 x 1/2" Hex Washer TEK Screw
2	-----	1	24 VAC Transformer (refer to Step Down Transformer Usage Listing on page 46)
3	132449	1	2-Pole Contact Block (for <u>208-240 volt models Only</u>)
4	132445	1	3-Pole Contactor (for <u>120 volt models Only</u>)
	132447	1	3-Pole Contactor (for <u>208-240 volt models Only</u>)
5	132383	1	2-Pole Contact Block (for <u>120 volt models Only</u>)
6	150301	*	#8-18 x 7/16" Phillips Pan Head TEK Screw
7	136008	*	Fuse Holder ONLY
8	136057	*	1/2-Amp (Slo Blo) Fuse
9	153002	1	5/16" Lock Washer
10	152004	1	5/16-18 Hex Nut
11	150297	1	#10 x 1/2" Hex Washer TEK Screw - Green
12	121010	1	L-70 Ground Lug
13	150300	2	#10 x 1/2" Hex Washer TEK Screw
14	353258	1	Rear Panel Connector Bracket
15	306304	1	Rear Electric Mounting Panel ONLY
16	150008	2	#6-32 x 1-1/4" Phillips Round Head Machine Screw
17	120716	1	2-Position Terminal Block
18	151000	2	#6-32 Pal Nut
19	121300	3	Open/Closed Bushing

* As required.



<u>Illus. No.</u>	<u>Part No.</u>	<u>Qty.</u>	<u>Description</u>
1	132449	1	2-Pole Contact Block
2	132422	3	12 - 24 Volt Varistor
3	132448	1	Reversing Contactor with 24 VAC Coil
4	132447	1	Blower Motor Contactor
5	150301	2	#8-18 x 7/16" Phillips Pan Head TEK Screw
6	136008	2	Fuse Holder ONLY
7	136057	2	1/2-Amp (Slo Blo) Fuse
8	150300	2	#10 x 1/2" Hex Washer TEK Screw
9	353258	1	Rear Panel Connector Bracket
10	306304	1	Rear Electric Mounting Panel ONLY
11	153002	1	5/16" Lock Washer
12	152004	1	5/16-18 Hex Nut
13	-----	1	24 VAC Transformer (refer to Step Down Transformer Usage Listing on page 46)
14	150297	1	#10 x 1/2" Hex Washer TEK Screw - Green
15	121010	1	L-70 Ground Lug
16	150009	2	#6-32 x 1-1/2" Phillips Round Head Machine Screw
17	120701	1	4-Position Terminal Block
18	151000	2	#6-32 Pal Nut
19	121300	3	Open/Closed Bushing



<u>Illus. No.</u>	<u>Part No.</u>	<u>Qty.</u>	<u>Description</u>
1	322809	1	Back Electrical Box Cover
2	150301	4	#8-18 x 7/16" Phillips Pan Head TEK Screw
3	314414	1	Top Back Guard
4	150301	7	#8-18 x 7/16" Phillips Pan Head TEK Screw
5	150301	10	#8-18 x 7/16" Phillips Pan Head TEK Screw
6	312534	1	Outer Top <i>(NO OUTER TOP on Gas Heat Reclaimer Models and Steam Models)</i>
7	314518	1	Lower Back Guard
8	150301	13	#8-18 x 7/16" Phillips Pan Head TEK Screw
9	103500	4	Leveling Leg

HSI Burner Orifice Listing*						
Model Number	Heat Reclaimer	Qty.	Natural Gas		L.P. Gas	
			D.M.S.	Part No.	D.M.S.	Part No.
ML-55	No	3	#29	140820	#48	140804
ML-55HR	Yes	2	#23	140856	#42	140810

* Consult factory for elevations over 2,000 feet.

HSI Burner Assembly Listing <i>(for Microprocessor [computer] Models Only)</i>				
Model Number	Btu/hr Rating	Heat Reclaimer	Natural Gas Part Number	L.P. Gas Part Number
ML-55	160,000	No	881866	881867
ML-55HR	140,000	Yes	N/A*	N/A*

* Part numbers *not available* at time of printing.

NOTES: 1. Burner assemblies **do not** include burner orifices. They **must be** ordered separately.

2. When ordering burner assemblies, specify model number and if computer or non-computer controls.

HSI Burner Assembly Listing <i>(for Non-Microprocessor Models)</i>				
Model Number	Btu/hr Rating	Heat Reclaimer	Natural Gas Part Number	L.P. Gas Part Number
ML-55	160,000	No	881989	881990

NOTES: 1. Burner assemblies **do not** include burner orifices. They **must be** ordered separately.

2. When ordering burner assemblies, specify model number and if computer or non-computer controls.

HSI L.P. Conversion Kit Listing*	
Model Number	L.P. Kit Part Number
ML-55	881598
ML-55HR	881600

* Consult factory for elevations over 2,000 feet.

for Microprocessor (computer) Models ONLY

STEP DOWN TRANSFORMER USAGE LISTING				
VOLTAGE	WIRE SERVICE	ADC PART No.		
		GAS	STEAM	ELECTRIC
120	2	132070	132083	132070
208	3 or 4	132082	132082	132071
240/380	3	132082	132082	132072
380	4	132082	132082	132082
416	3	132082	132082	132082
416	4	132067	-----	-----
460/480	3	132067	-----	-----
460/480	4	132070	-----	-----

NOTE: Each transformer requires one (1) Transformer Termination Kit (ADC Part No. 881763).

<u>Part No.</u>	<u>Description</u>
112039	“Black/White/Green Ground” Label
112280	“Clean Lint Screen” Label
112284	“Phase 6 OPL Program Location Summary” Label
114001	“CAUTION - Exhaust Lint Screen” Label
114006	“WARNING - Fire Hazards” Label
120100	3/8” Straight (BX) Connector
120300	3/8” x 45° (BX) Connector
120400	3/8” Red Jacket (BX) Insulator
120500	3/8” Jiffy Clip (BX retainer clip)
120600	3/8” Greenfield (BX)
120800	1/4” In-Line Connector
120802	Red Butt Connector
120902	#74B Wire Nut
120903	Crimp-On Wire Nut
121014	1/4” Insulated (female) Terminal
121499	4” Harness Tie
121500	7” Harness Tie
121503	Harness Tie Mounting Clip
122804	Manometer (hydro gauge) for Measuring Gas Pressure
404502	White Brush-In-Cap Bottle Touch-Up Paint
404507	Cornflower Blue Brush-In-Cap Bottle Touch-Up Paint
404513	Wrinkle Blue Brush-In-Cap Bottle Touch-Up Paint
880200	Electrical Terminal (assortment) Kit
880884	Basket (tumbler) Bearing Puller

ADC450172 1- 05/28/98-50 2* 04/07/00-10 3* 09/01/00-25

