



ML-55 Parts Manual

Phase 7 / OPL / Dual Timer
with F.S.S. Options

American Dryer Corporation
88 Currant Road
Fall River, MA 02720-4781
Telephone: (508) 678-9000 / Fax: (508) 678-9447
E-mail: techsupport@amdry.com

www.amdry.com

Retain This Manual In A Safe Place For Future Reference

American Dryer Corporation products embody advanced concepts in engineering, design, and safety. If this product is properly maintained, it will provide many years of safe, efficient, and trouble free operation.

ONLY qualified technicians should service this equipment.

OBSERVE ALL SAFETY PRECAUTIONS displayed on the equipment or specified in the installation manual included with the dryer.

The following “**FOR YOUR SAFETY**” caution must be posted near the dryer in a prominent location.

FOR YOUR SAFETY

Do not store or use gasoline or other flammable vapors and liquids in the vicinity of this or any other appliance.

POUR VOTRE SÉCURITÉ

Ne pas entreposer ni utiliser d'essence ni d'autres vapeurs ou liquides inflammables à proximité de cet appareil ou de tout autre appareil.

We have tried to make this manual as complete as possible and hope you will find it useful. ADC reserves the right to make changes from time to time, without notice or obligation, in prices, specifications, colors, and material, and to change or discontinue models.

Important

For your convenience, log the following information:

DATE OF PURCHASE _____ MODEL NO. **ML-55**
RESELLER'S NAME _____
Serial Number(s) _____

Replacement parts can be obtained from your reseller or the ADC factory. When ordering replacement parts from the factory, you can FAX your order to ADC at (508) 678-9447 or telephone your order directly to the ADC Parts Department at (508) 678-9000. Please specify the dryer model number and serial number in addition to the description and part number, so that your order is processed accurately and promptly.

The illustrations on the following pages may not depict your particular dryer exactly. The illustrations are a composite of the various dryer models. Be sure to check the descriptions of the parts thoroughly before ordering.

“IMPORTANT NOTE TO PURCHASER”

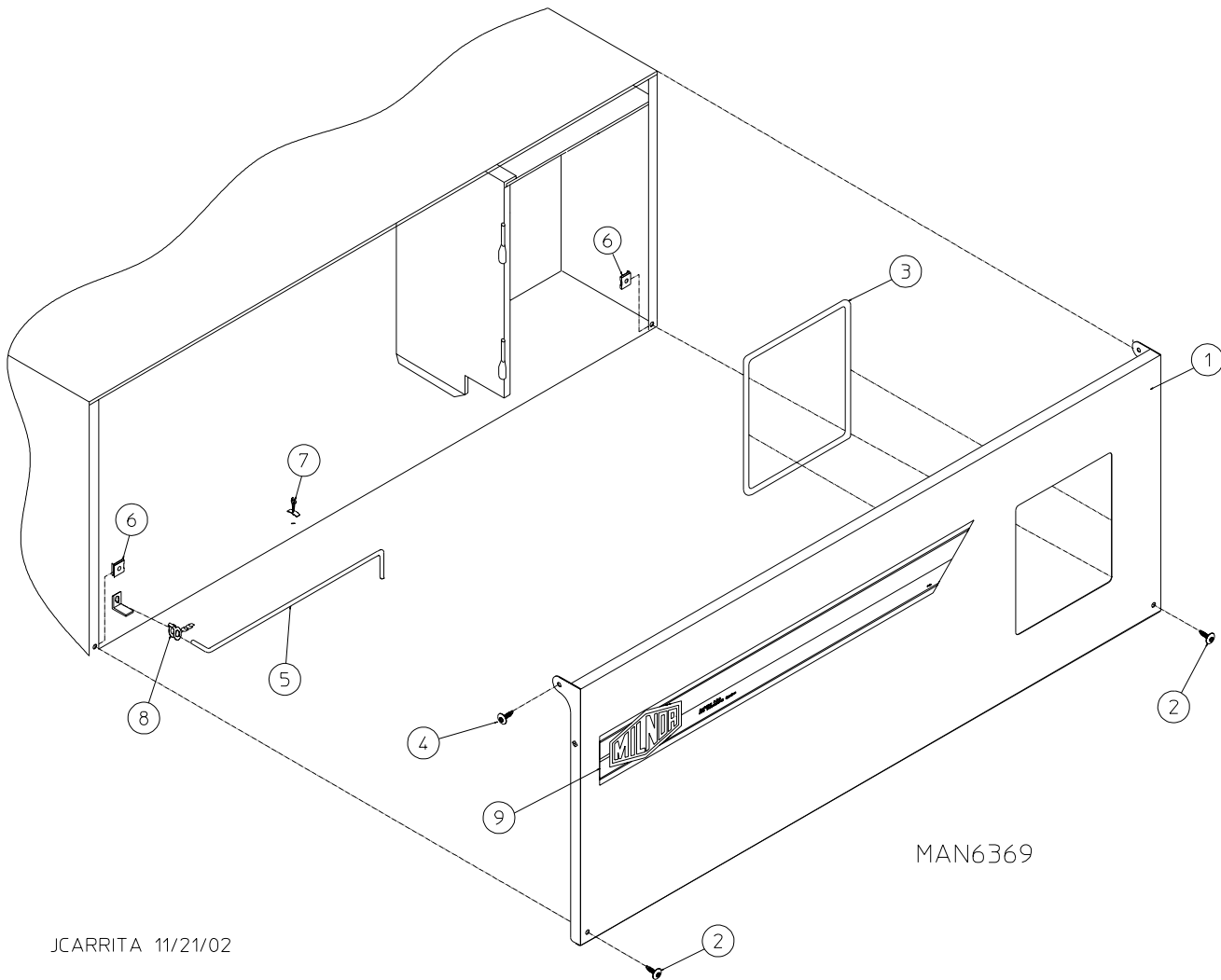
Information must be obtained from your local gas supplier on the instructions to be followed if the user smells gas. These instructions must be posted in a prominent location near the dryer.

Table of Contents

Phase 7 OPL Microprocessor Control Door Assembly for Models Mfd. as of July 11, 2002	4
Dual Timer OPL Control Door Assembly for Models Mfd. as of July 11, 2002	5
Phase 7 Microprocessor Control Door Assembly for Models Mfd. prior to July 11, 2002	6
Dual Timer Control Door Assembly for Models Mfd. prior to July 11, 2002	7
Phase 7 OPL Microprocessor Control Panel Assembly	8
Dual Timer "Tap Touch" Controls	9
Phase 7 OPL Microprocessor Control Box Assembly	10
Dual Timer Control Box Assembly	11
Front Panel / Main Door Assemblies with Mechanical Fasteners	12
Main Door Switch Assembly	14
Drop Lint Door Assembly	15
Sensor Bracket Assemblies	16
Lint Trap Assembly	18
Tumbler / Support Assemblies	19
Tumbler Bearing Assembly	20
Non-Reversing T.E.F.C. Motor Mount Assembly	22
Reversing T.E.F.C. Motor Mount Assembly	24
Direct Spark Ignition Burner Assembly	26
Hot Surface Ignition Burner Assembly	28
Idler Bearing Assembly	30
Sail Switch / Hi-Limit Assemblies	31
Air-Operated Steam Damper Assembly	32
Electric Oven Assembly	34
Single-Phase (1 ϕ) MP Rear Electric Relay Panel Assembly	36
208-240V 3-Phase (3 ϕ) MP Rear Electric Relay Panel Assembly	37
480V MP Rear Electric Relay Panel Assembly	38
208-240V MP Reversing Rear Electric Relay Panel Assembly	39
460-480V MP Reversing Rear Electric Relay Panel Assembly	40
Single-Phase (1 ϕ) Dual Timer Rear Electric Relay Panel Assembly	41
3-Phase (3 ϕ) 208-240V Dual Timer Rear Electric Relay Panel Assembly for Gas Models Only	42
460-480V Dual Timer Rear Electric Relay Panel Assembly for Gas Models Only	43
208-240V Dual Timer Reversing Rear Electric Relay Panel Assembly for Gas Models Only	44
F.S.S. Temperature Probe Assembly	45
F.S.S. Solenoid Assembly	46
Outer Top / Back Guard Assemblies	47
Step Down Transformer Usage Listing	48
Electric Oven Component Application Chart	49
Additional Parts Available	50

Phase 7 OPL Microprocessor Control Door Assembly

For Models Mfd. as of July 11, 2002



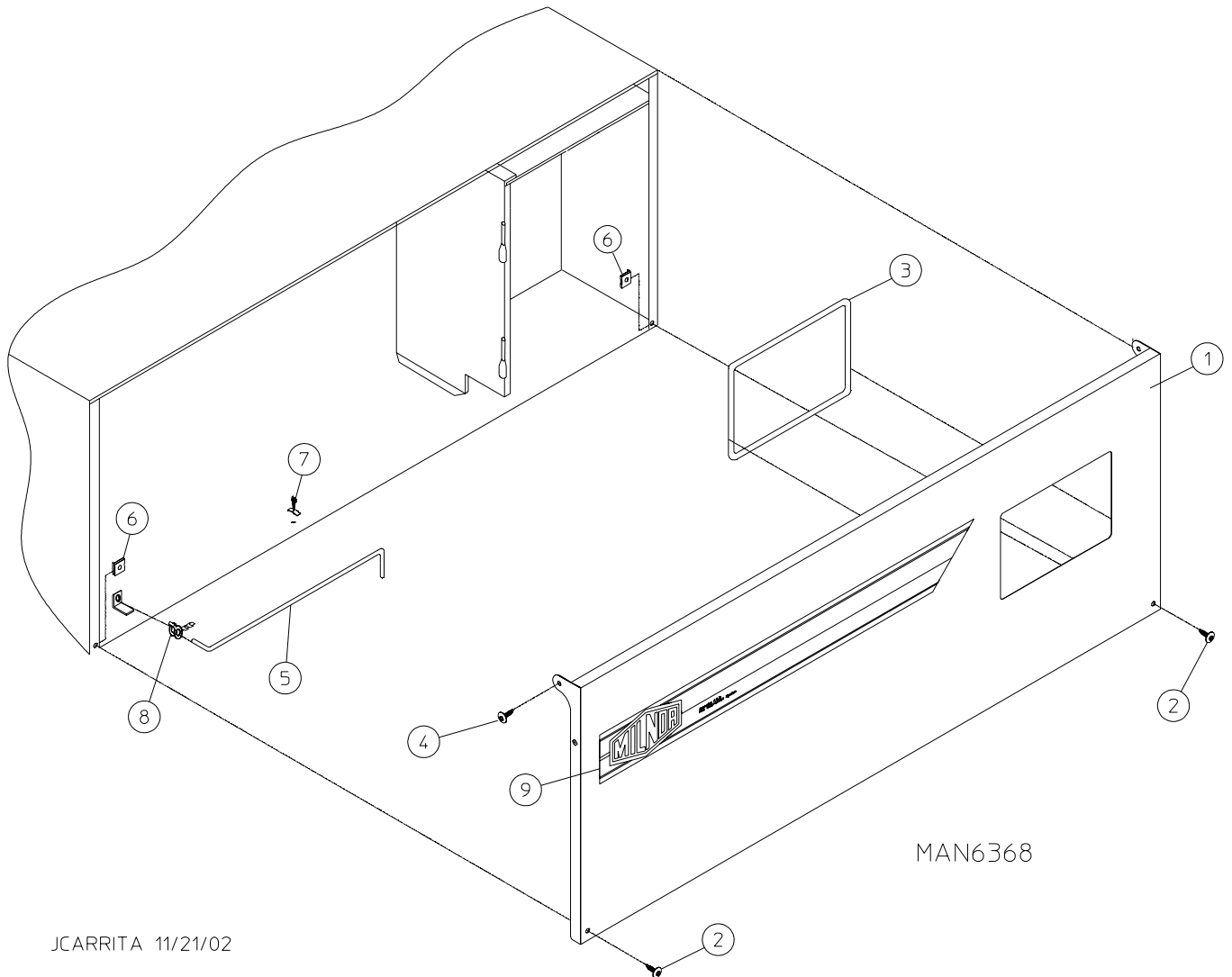
JCARRITA 11/21/02

Illus. No.	Part No.	Qty.	Description
1	883698	1	White OPL Control Door (includes illus. nos. 1 and 3)
2	150321	2	#10-32 x 1/2" Phillips Machine Screw
3	117604	4	Neoprene Sponge Tape (sold by the foot)
4	150317	2	#10-16 x 3/4" TORX PLUS® BTN Type 1
5	102502	1	Control Door Support Rod
6	154011	2	#10-32 Multi-Thread U-Nut
7	102603	1	Control Door Rod Support Latch
8	102601	1	Control Door Rod Retainer Clip
9	_____*	1	Logo ONLY

* Contact reseller for logo.

Dual Timer OPL Control Door Assembly

For Models Mfd. as of July 11, 2002



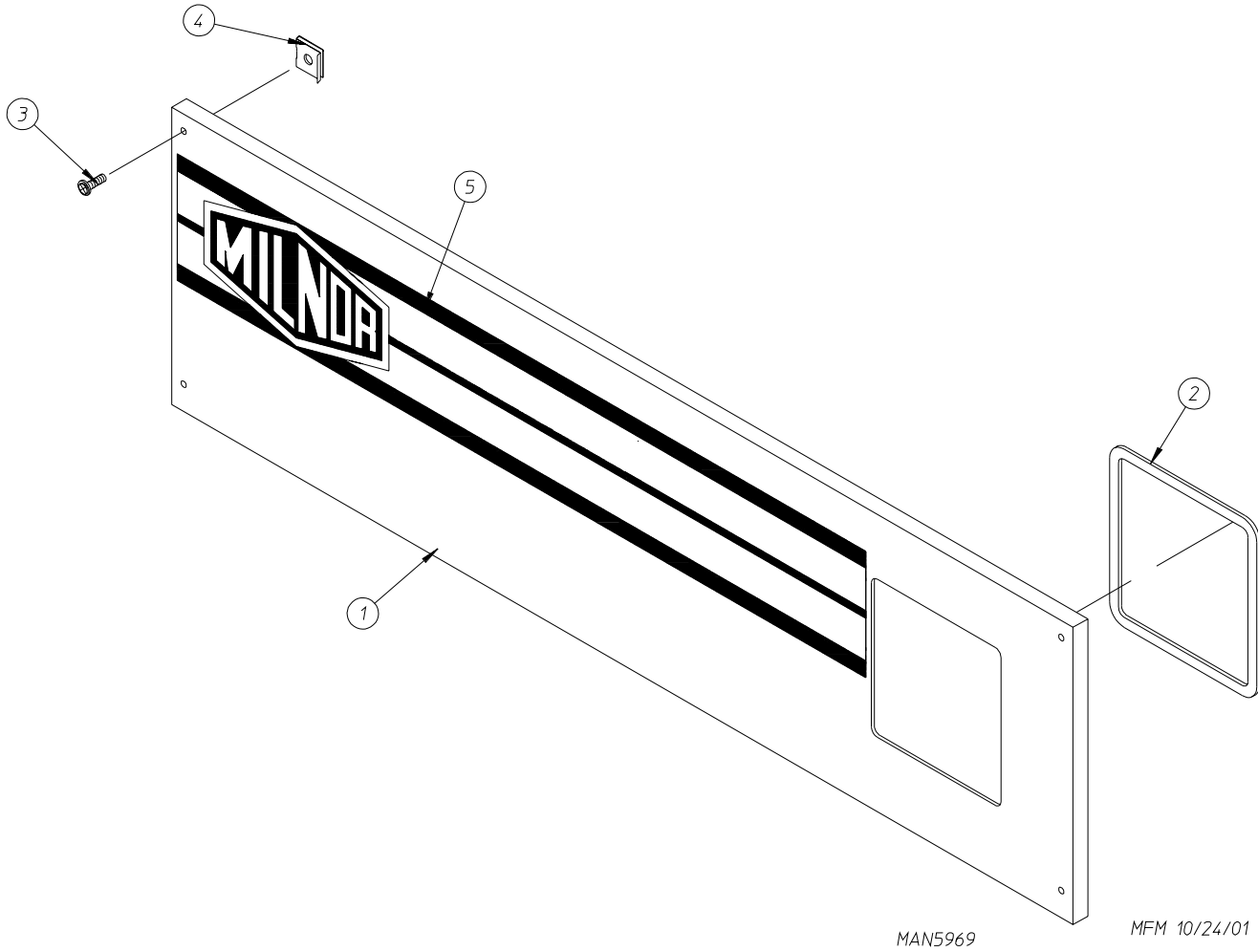
JCARRITA 11/21/02

Illus. No.	Part No.	Qty.	Description
1	883697	1	White OPL Control Door (includes illus. nos. 1 and 3)
2	150321	2	#10-32 x 1/2" Phillips Machine Screw
3	117604	4	Neoprene Sponge Tape (sold by the foot)
4	150317	2	#10-16 x 3/4" TORX PLUS® BTN Type 1
5	102502	1	Control Door Support Rod
6	154011	2	#10-32 Multi-Thread U-Nut
7	102603	1	Control Door Rod Support Latch
8	102601	1	Control Door Rod Retainer Clip
9	_____*	1	Logo ONLY

* Contact reseller for logo.

Phase 7 Microprocessor Control Door Assembly

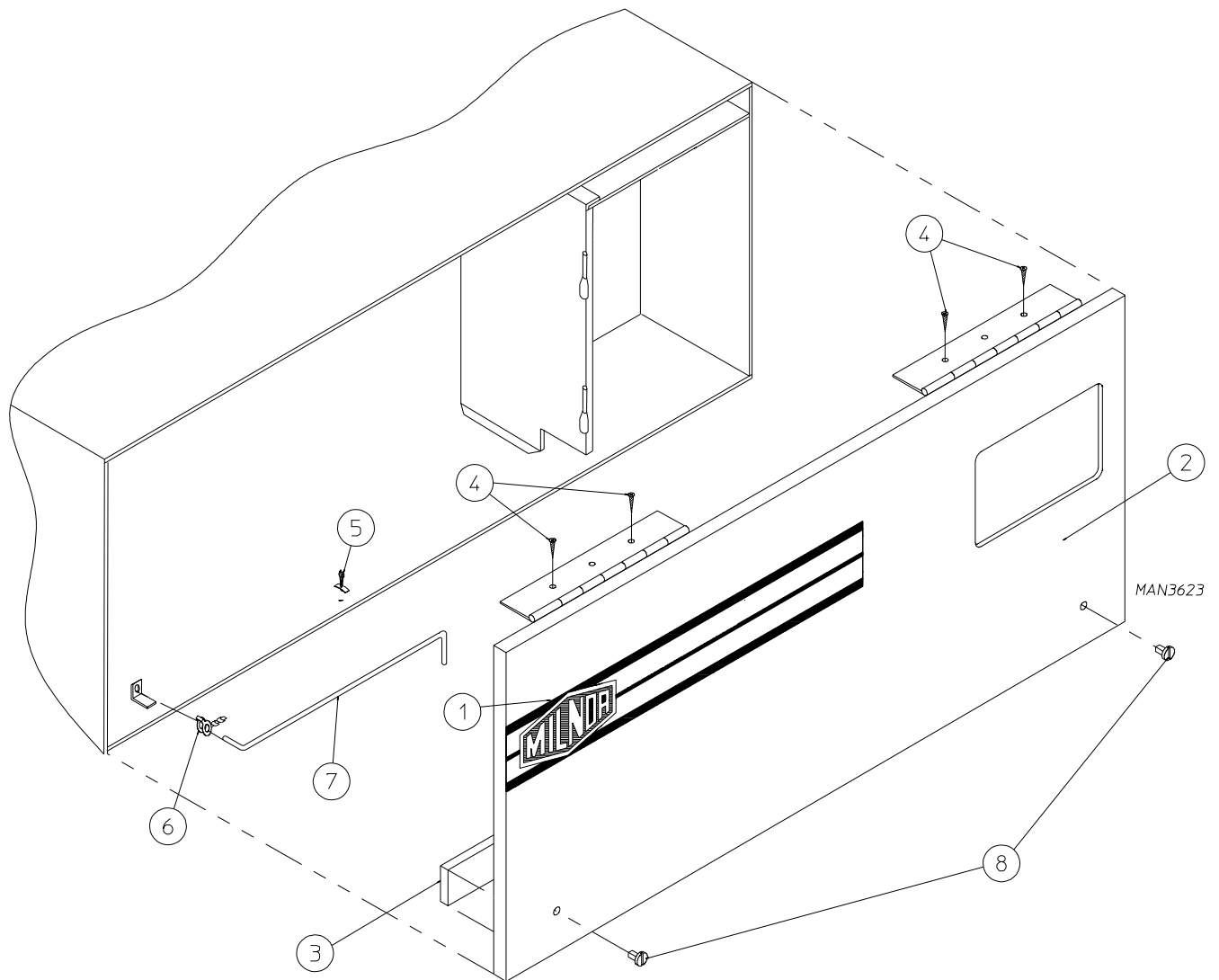
For Models Mfd. prior to July 11, 2002



<u>Illus. No.</u>	<u>Part No.</u>	<u>Qty.</u>	<u>Description</u>
1	824169	1	Control Door (includes illus. nos. 1 and 2)
2	117604	2	1/8" x 3/8" Noise Tape
3	150314	4	#10-32 x 1/2" TORX® Screw
4	154011	4	#10-32 Multi-Thread U-Nut
5	112366	1	Milnor Logo

Dual Timer Control Door Assembly

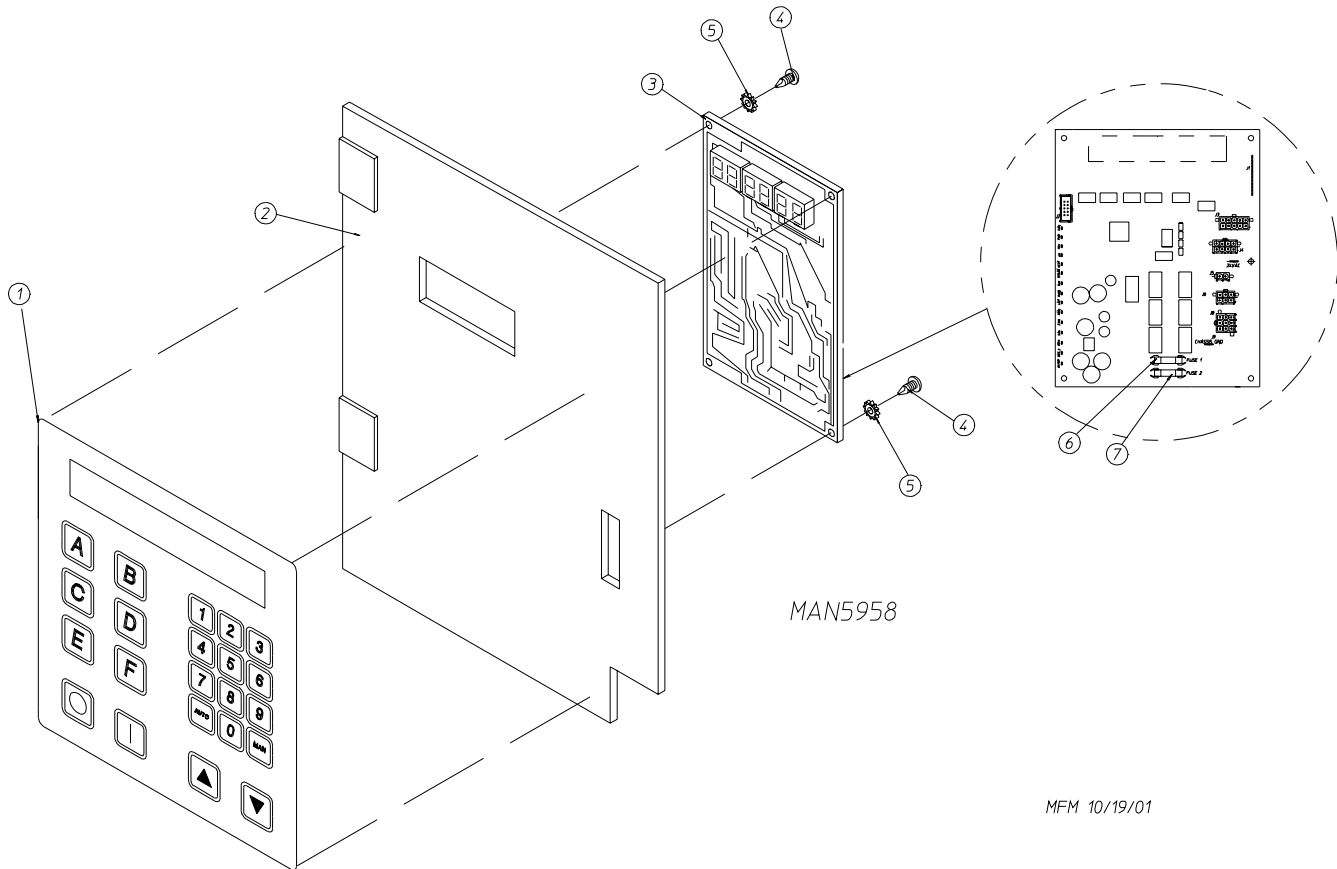
For Models Mfd. prior to July 11, 2002



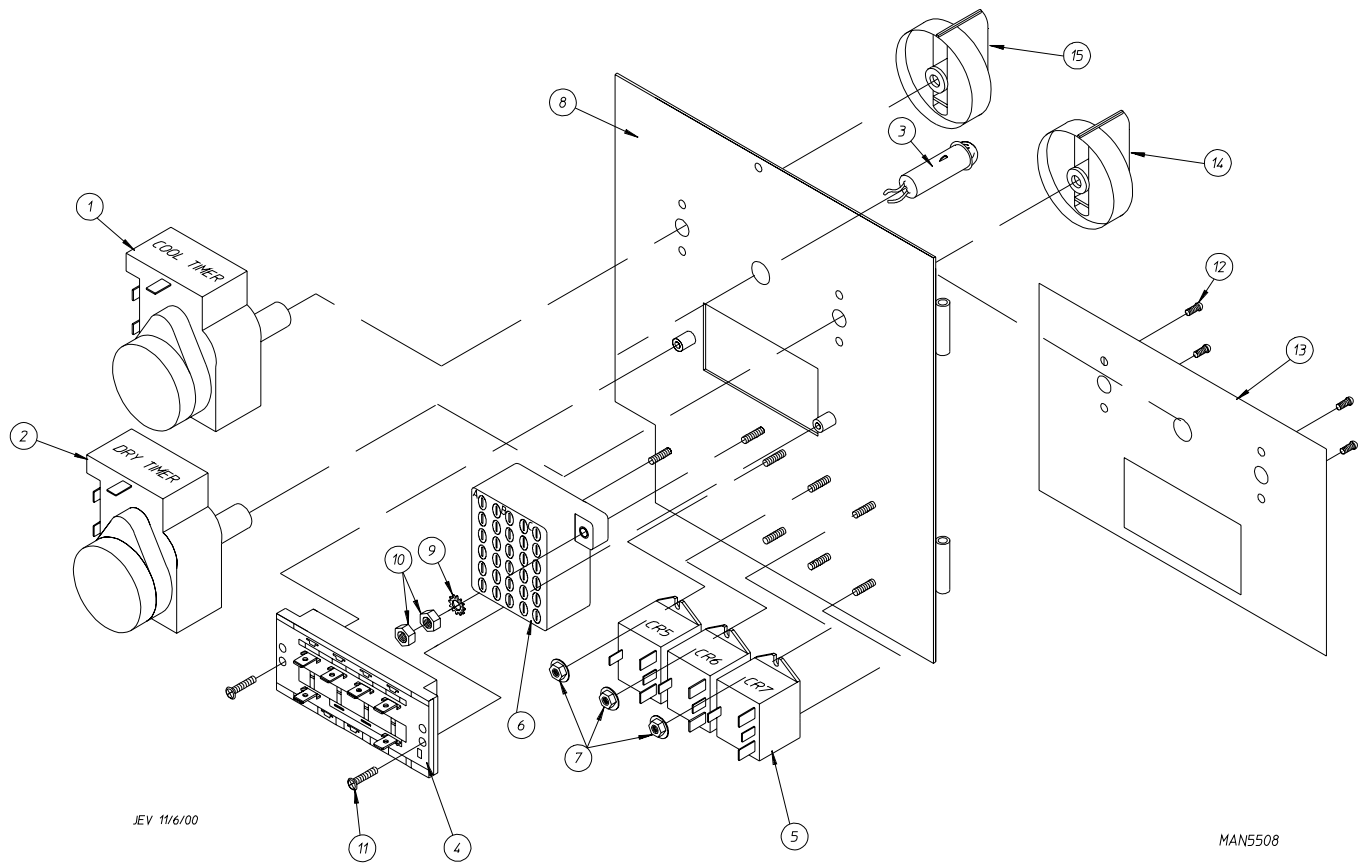
Illus. No.	Part No.	Qty.	Description
1	—*	1	Logo ONLY
2	881869	1	White Control Door Assembly (for models mfd. as of October 24, 1997) (includes illus. nos. 2, 3, and 8)
	881744	1	White Control Door Assembly (for models mfd. prior to October 24, 1997) (includes illus. nos. 2, 3, and 8)
3	117604	4	Noise Suppression Tape (sold by the foot)
4	150309	4	#10-16 x 1/2" Hex Head TEK Crimptite Screw
5	102603	1	Control Door Rod Support Catch
6	102601	1	Control Door Rod Retainer Clip
7	102502	1	Control Door Support Rod
8	882541	2	Spring Turn Latch (2-piece)

* Contact reseller for logo.

Phase 7 OPL Microprocessor Control Panel Assembly

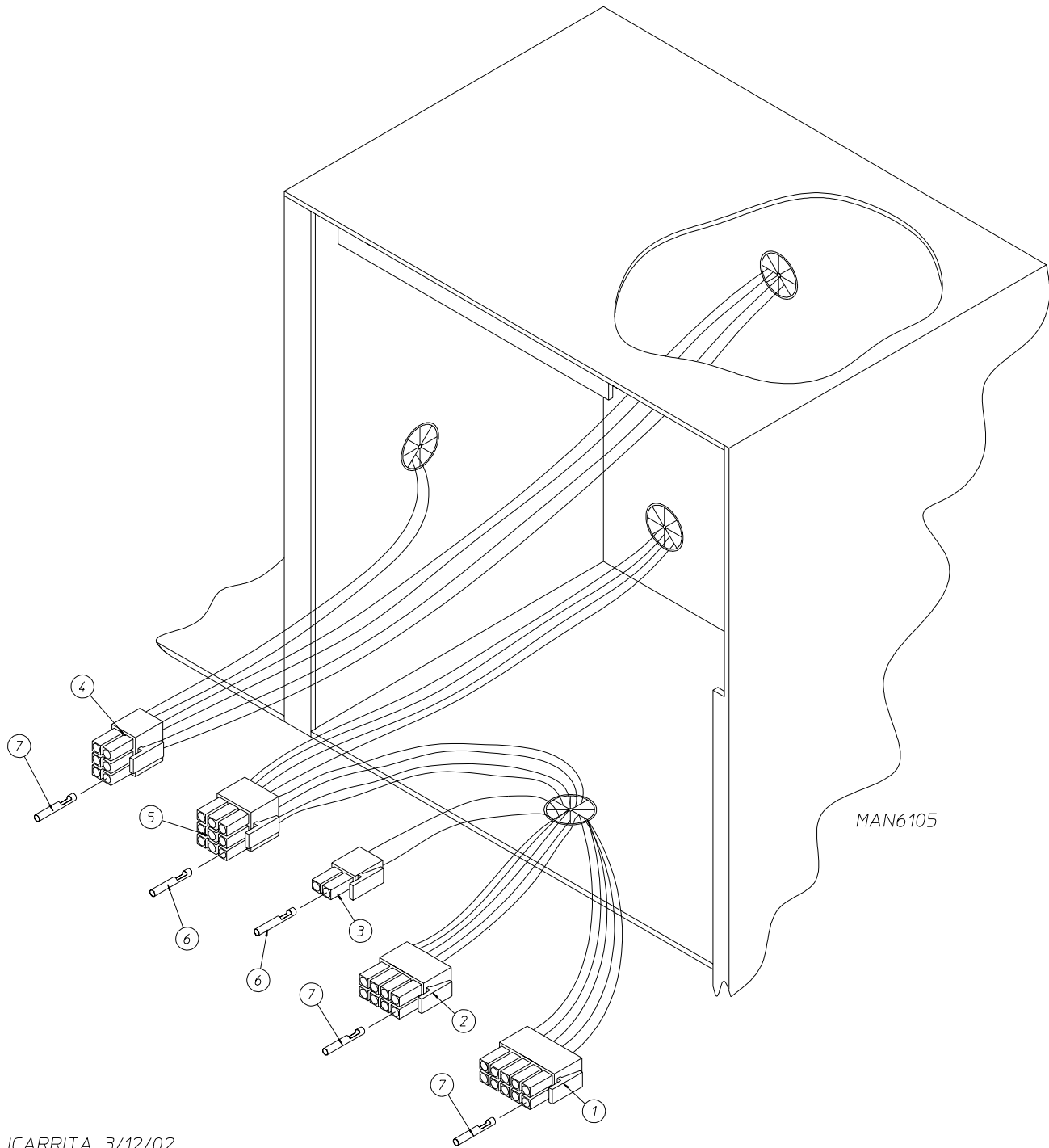


Illus. No.	Part No.	Qty.	Description
1	112571	1	Phase 7 OPL Keypad
2	850984	1	Phase 7 OPL Microprocessor Controller (computer) Panel ONLY
	822767	1	Phase 7 OPL Reversing Microprocessor Controller (computer) Control Panel Assembly Complete (includes illus. nos. 1 through 7)
3	137247	1	Phase 7 OPL Microprocessor Controller (computer) ONLY
4	150005	2	#6-32 x 3/4" Phillips Round Head Machine Screw
5	153010	2	#6 Star Washer
6	136016	1	5-Amp Fuse
7	136097	1	500 mA Fuse



Illus. No.	Part No.	Qty.	Description
1	124030	1	15 Minute Timer – 24 VAC
2	124025	1	60 Minute Timer – 24 VAC
3	824175	1	Red Pilot Light – 24 VAC
4	122301	1	"Tap Touch" Switch
5	131932	3	Relay SPST 24v
6	120730	1	30-Position Terminal Block
7	151000	6	#6-32 Pal Nut
8	882903	1	Dual Timer Panel Complete (includes illus. nos. 1 through 15)
	850392	1	Dual Timer Panel ONLY
9	153010	2	#6 Star Washer
10	152000	3	#6-32 Hex Nut
11	150207	2	#10-24 x 1/2" Phillips Pan Head Machine Screw
12	150110	4	#8-32 x 1/4" Phillips Round Head Machine Screw
13	112563	1	Dual Timer Panel Overlay
14	124104	1	Pure Touch Knob with Red Pointer
15	124105	1	Pure Touch Knob with Blue Pointer

Phase 7 OPL Microprocessor Control Box Assembly

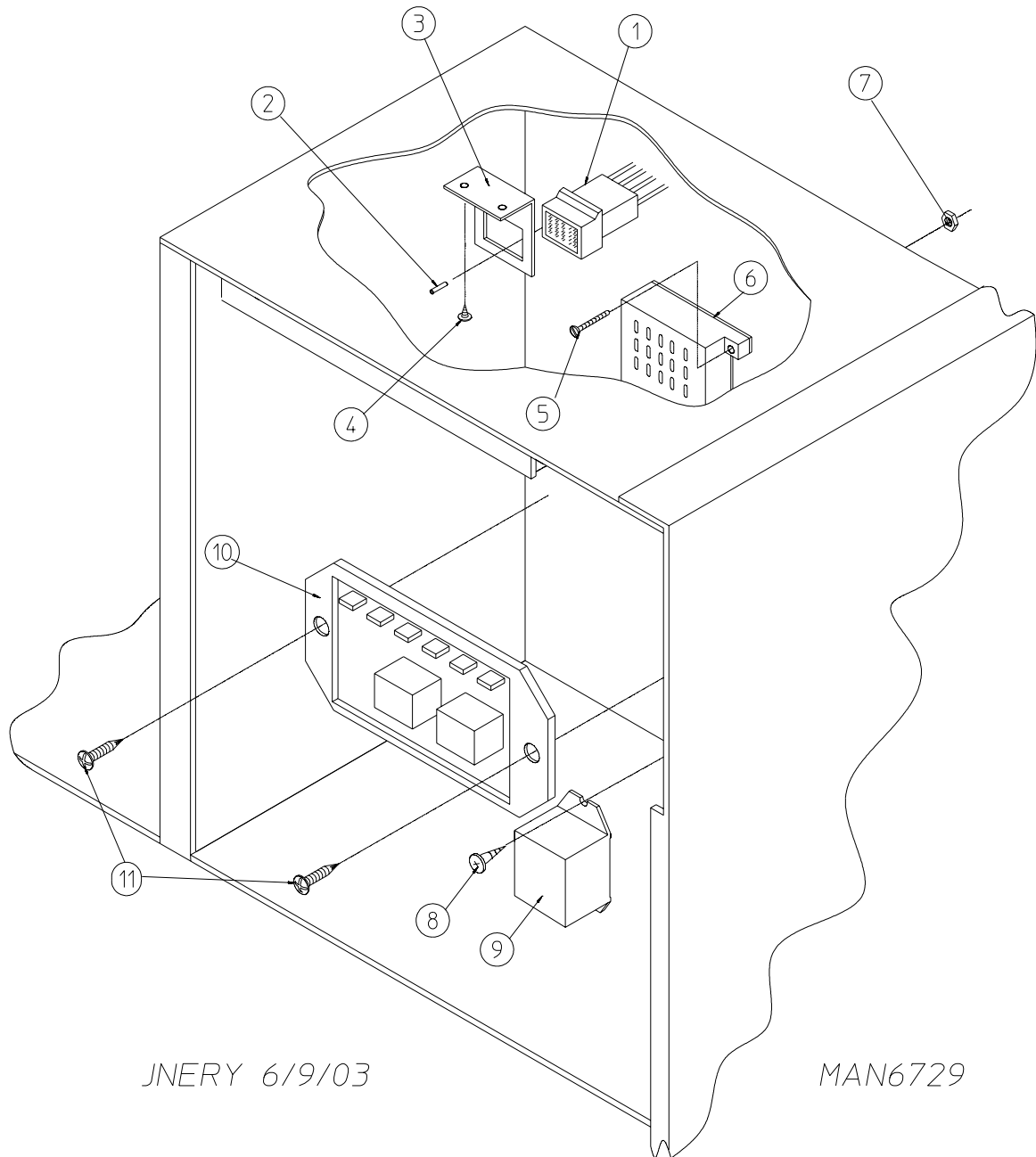


JCARRITA 3/12/02

Illus. No.	Part No.	Qty.	Description
1	122681	1	10-Pin Connector
2	122676	1	8-Pin Connector
3	122646	1	2-Pin Connector
4	122683	1	6-Pin Connector
5	122640	1	9-Pin Connector
6	122706	*	#20-16 U.M.N.L. Socket
7	122669	*	Female Crimp Terminal

* As needed.

Dual Timer Control Box Assembly

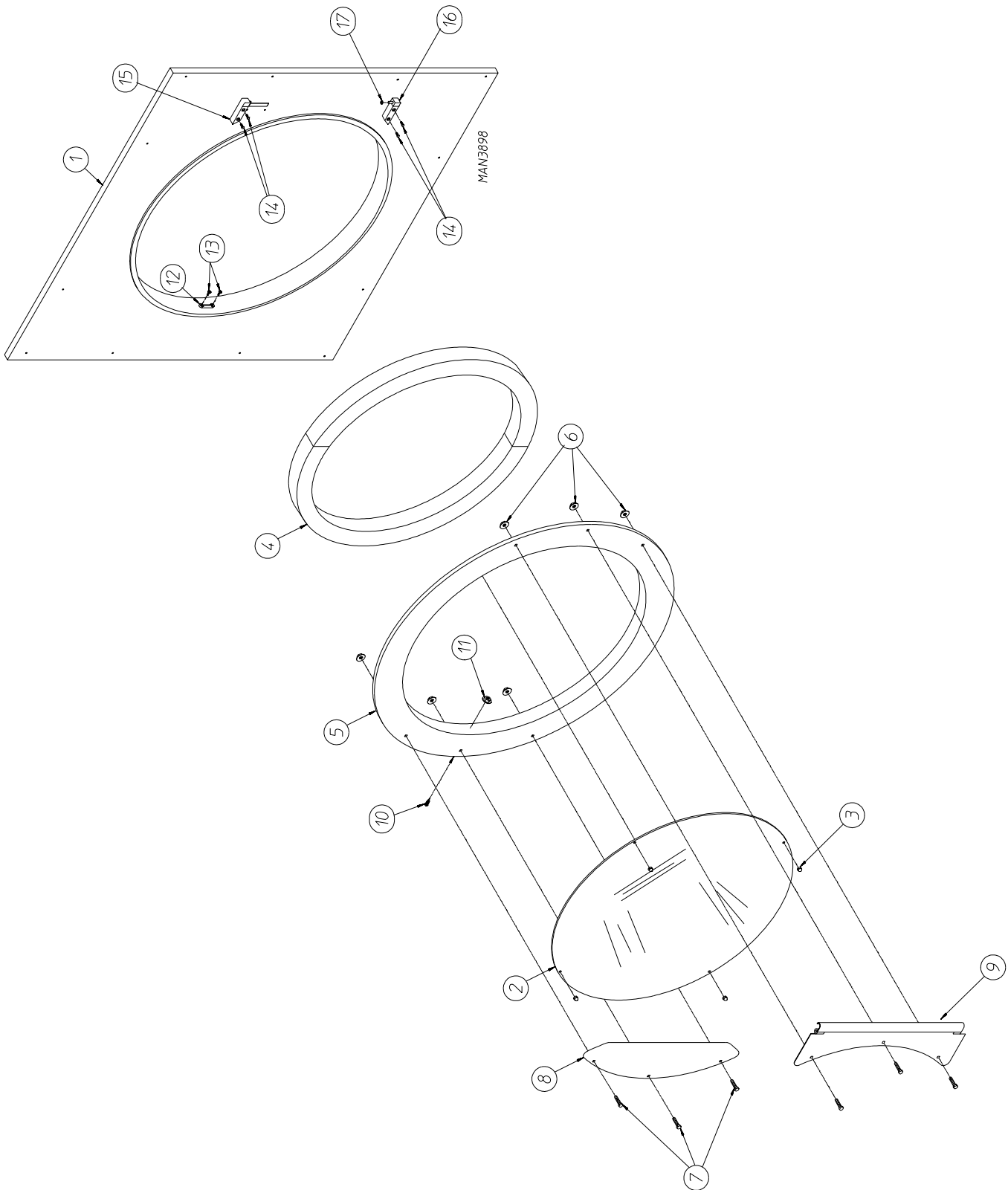


JNERY 6/9/03

MAN6729

<u>Illus. No.</u>	<u>Part No.</u>	<u>Qty.</u>	<u>Description</u>
1	122601	1	9-Pin Connector
2	122701	8	Socket Terminal ONLY
	122801	1	Pin / Socket Extraction Tool
3	315010	1	9-Pin Connector Bracket
4	150300	2	#10-16 x 1/2" Hex Washer TEK Screw
5	150002	2	#6-32 x 1" Phillips Round Head Machine Screw
6	120715	1	30-Position Terminal Block
7	151000	2	#6-32 Pal Nut
8	150300	2	#10-16 x 1/2" Hex Washer TEK Screw
9	131932	1	Heat Relay – 24 VAC (hot surface ignition models Only)
10	884252	1	Reversing Timer (for reversing models Only)
11	150301	1	#8-18 x 7/16" Phillips Pan Head TEK Screw

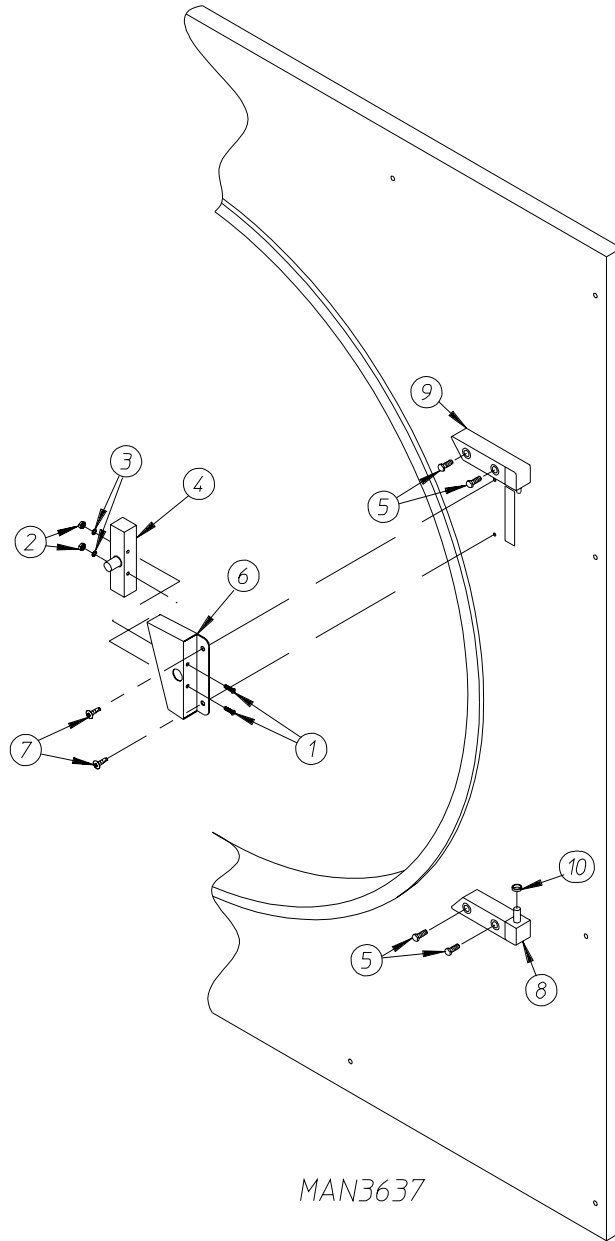
Front Panel / Main Door Assemblies with Mechanical Fasteners



Front Panel / Main Door Assemblies with Mechanical Fasteners

<u>Illus. No.</u>	<u>Part No.</u>	<u>Qty.</u>	<u>Description</u>
1	881871	1	White Front Panel Assembly (includes illus. nos. 1, 12, and 13)
2	102214	1	30" Door Glass
	170730	1	Door Glass / Gasket Adhesive (10.3 oz. cartridge)
3	151012	4	#10-32 Nylon Acorn Nut (white)
4	882411	1	Large Steel Door Gasket
	170730	1	Door Glass / Gasket Adhesive (10.3 oz. cartridge)
5	881968	1	White Main Door Assembly with Mechanical Fasteners (includes illus. nos. 2 through 11)
	881966	1	White Main Door Ring
6	152014	6	1/4-20 Free Spin Wash Nut
7	881740	6	White 1/4-20 x 5/8" Carriage Bolt
8	881688	1	White Main Door Handle
9	881685	1	White Main Door Hinge
10	150120	1	Main Door Latch Screw
11	151012	1	#10-32 White Acorn Nut
12	170330	1	Friction Door Catch
13	154215	2	5/32" Pop Rivet
14	150445	4	1/4-20 x 3/4" Cap Screw
15	881440	1	White Top Hinge Block with Cap Screws (includes illus. nos. 14 and 15)
16	881441	1	White Bottom Hinge Block with Cap Screws (includes illus. nos. 14, 16, and 17)
17	153031	1	Nylon Washer

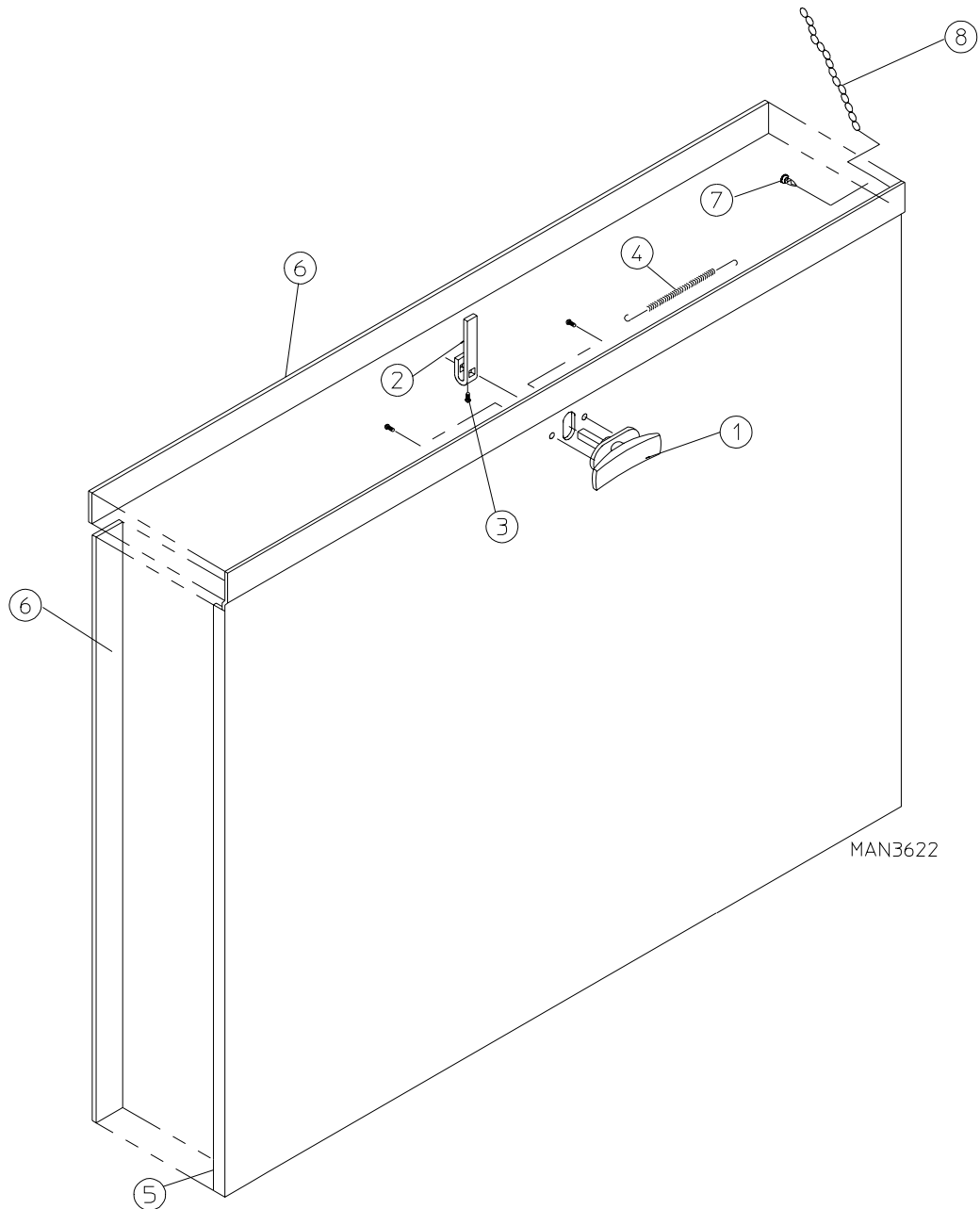
Main Door Switch Assembly



MAN3637

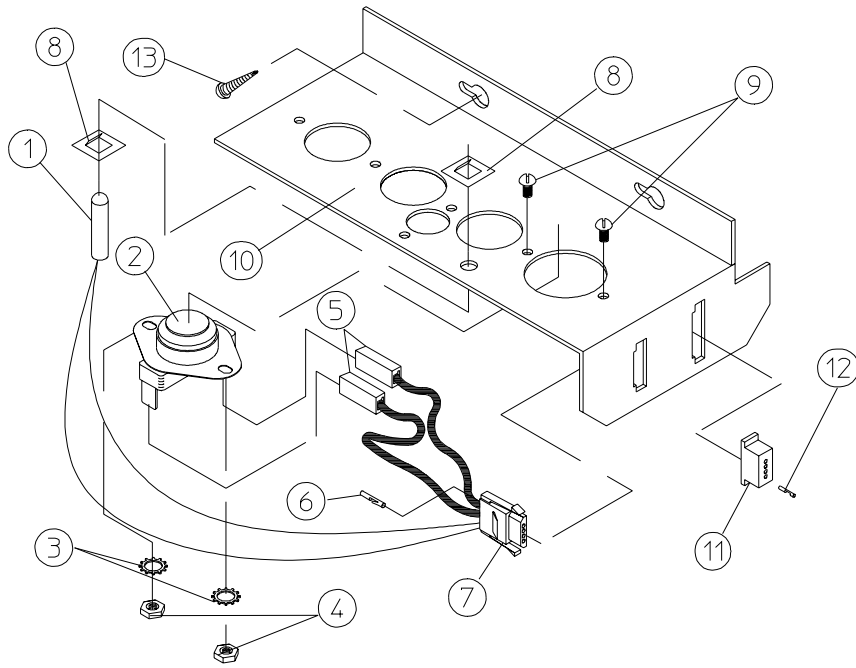
Illus. No.	Part No.	Qty.	Description
1	150006	2	#6-32 x 7/8" Phillips Pan Head Machine Screw
2	152013	2	#6-32 Hex Nut
3	153010	2	#6 Star Washer
4	137005	1	Single-Pole Door Switch
5	150445	4	1/4-20 x 3/4" Cap Screw
6	881687	1	White Main Door Switch Housing ONLY
	881702	1	White Main Door Switch with Housing Assembly (includes illus. nos. 1 through 4 and 6)
7	150301	2	#8-18 x 7/16" Phillips Pan Head TEK Screw
8	881441	1	White Bottom Hinge Block with Cap Screw (includes illus. nos. 5, 8 and 10)
9	881440	1	White Top Hinge Block with Cap Screw (includes illus. nos. 5 and 9)
10	153031	1	Nylon Washer

Drop Lint Door Assembly

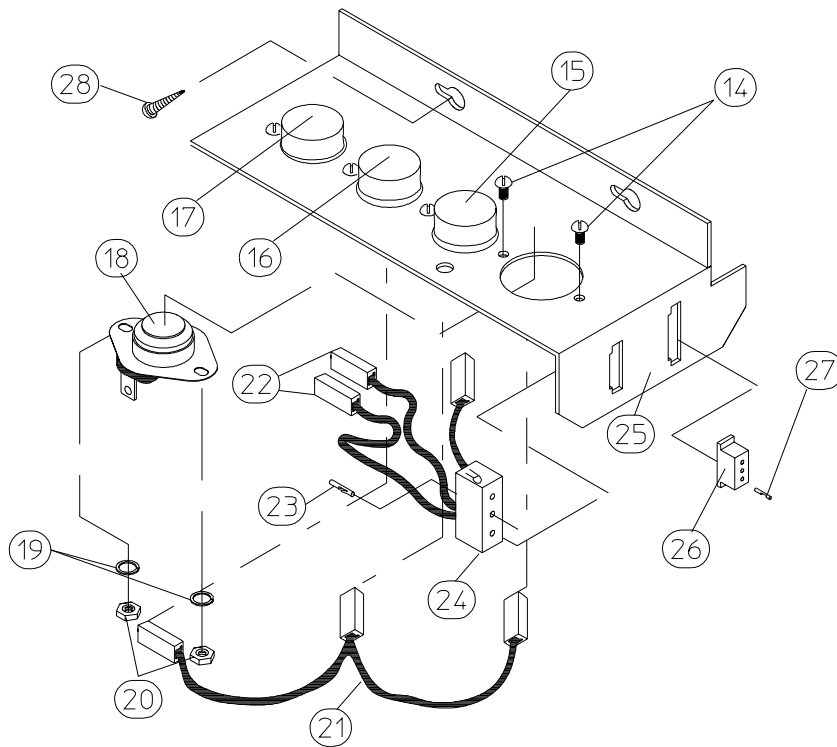


Illus. No.	Part No.	Qty.	Description
1	800150	1	Knob Latch Kit Assembly (includes illus. nos. 1 through 3)
2	160009	1	Knob Latch Adjustable Cam ONLY
3	150425	1	#12-24 x 3/8" Round Head Machine Screw ONLY (screw for knob latch adjustable cam)
4	157000	1	Drop Lint Door Spring
5*	881870	1	White Drop Lint Door Assembly (includes illus. nos. 5 and 6)
6	117604	7	Noise Suppressor Tape (sold by the foot)
7	150419	2	#6 x 1/2" Tamperproof TEK Screw
8	108120	1	Chain for Drop Lint Door (10-1/2" length)

* Specify color when ordering.



MICROPROCESSOR SENSOR BRACKET ASSEMBLY

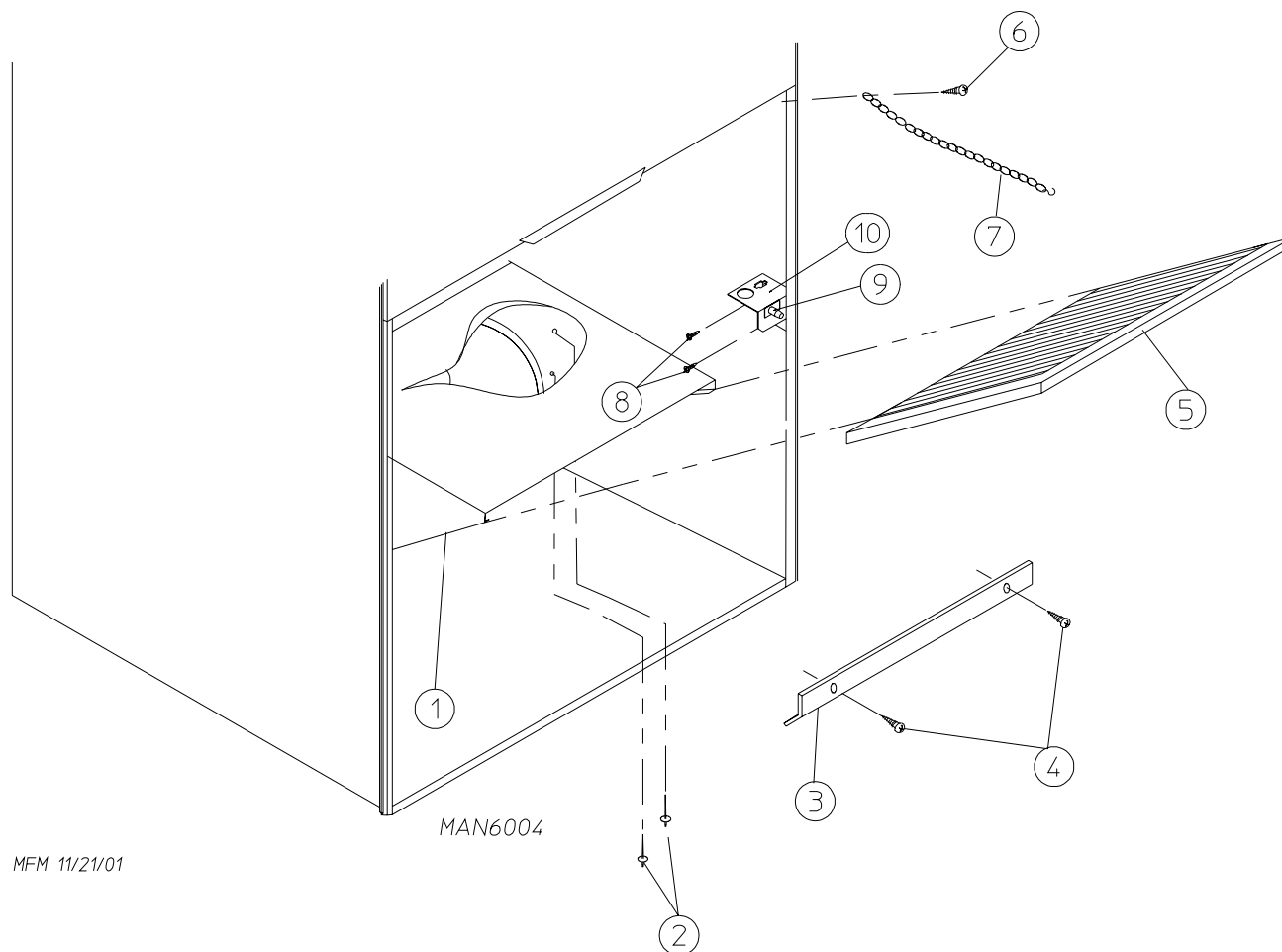


NON-COMPUTER SENSOR BRACKET ASSEMBLY

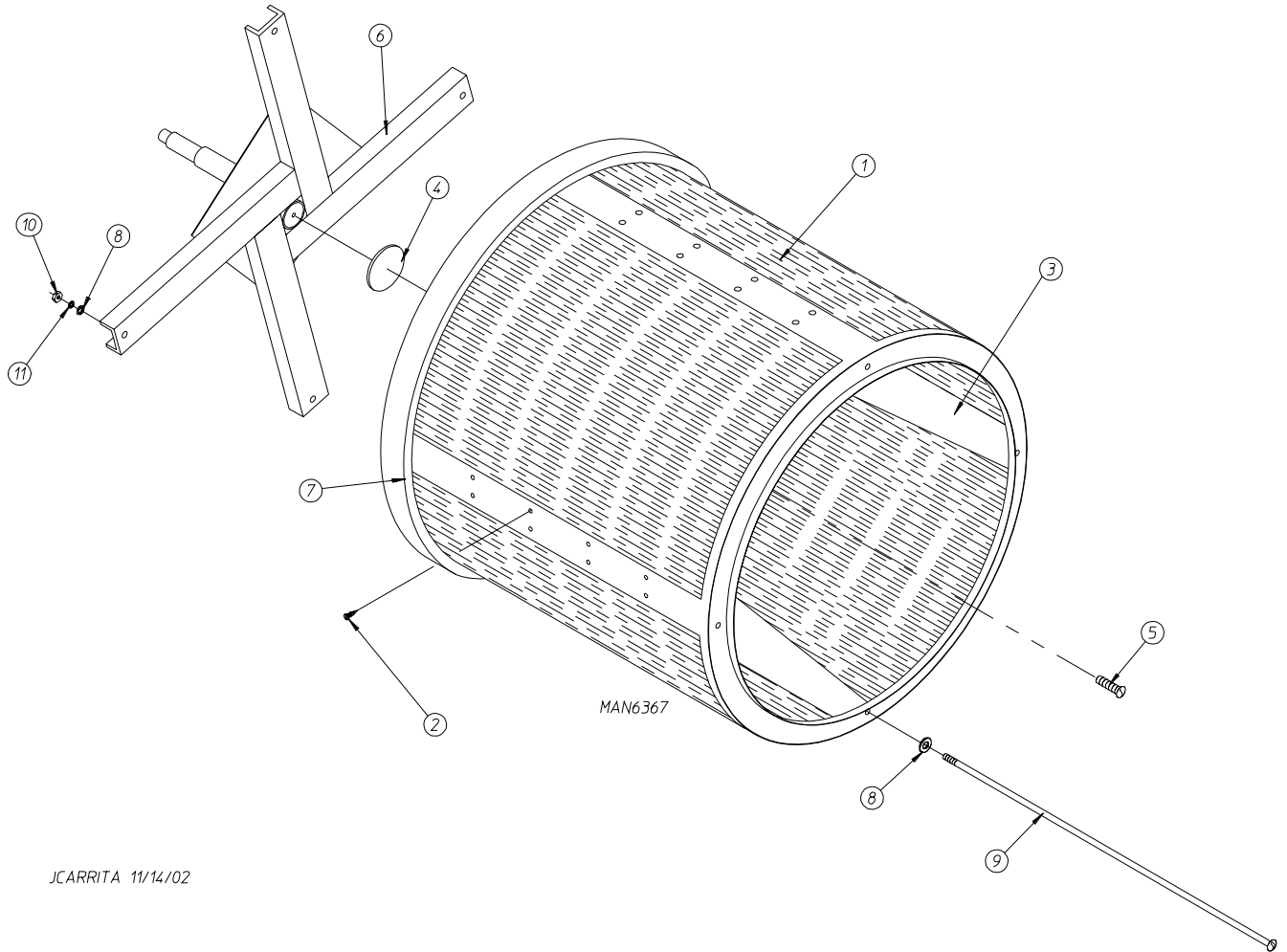
MAN0238

<u>Illus. No.</u>	<u>Part No.</u>	<u>Qty.</u>	<u>Description</u>
1	880251	1	1/4" Temperature Sensor Probe Assembly (includes illus. nos. 1 and 5 through 8)
2	130103	1	225° Large Automatic Thermostat
3	153010	2	#6 Star Washer
4	152000	2	#6-32 Hex Nut
5	121028	2	Insulated Terminal ONLY
6	122701	4	Socket Terminal ONLY
7	122605	1	4-Pin Socket Connector ONLY
8	154007	2	1/4" Tinnerman Push-On Fastener
9	150005	2	#6-32 x 1/4" Round Head Machine Screw
10	801425	1	Microprocessor Sensor Bracket Assembly Complete (includes illus. nos. 1 through 10)
	305007	1	Universal Sensor Bracket ONLY
11	122604	1	4-Pin Connector ONLY
12	122700	4	Pin Terminal ONLY
13	150301	2	#8-18 x 7/16" Phillips Pan Head TEK Screw
14	150005	5	#6-32 x 1/4" Phillips Round Head Machine Screw
15	130111	1	130° Large Thermostat
16	130100	1	150° Large Thermostat
17	130103	1	225° Large Automatic Reset Thermostat
18	130101	1	180° Large Thermostat
19	153010	5	#6 Star Washer
20	152000	5	#6-32 Hex Nut
21	840065	1	Sensor Jumper (4) ONLY
22	121028	8	Insulated Terminal ONLY
23	122701	4	Socket Terminal ONLY
24	122605	1	4-Pin Socket Connector ONLY
	840062	1	Sensor (4) Bracket Harness Assembly (includes illus. nos. 22 through 24)
25	801418	1	Noncomputer Sensor (4) Bracket Assembly Complete (includes illus. nos. 14 through 25)
	305007	1	Universal Sensor Bracket ONLY
26	122604	1	4-Pin Connector ONLY
27	122700	4	Pin Terminal ONLY
	122801	1	Pin / Socket Extraction Tool
28	150301	2	#8-18 x 7/16" Phillips Pan Head TEK Screw

Lint Trap Assembly



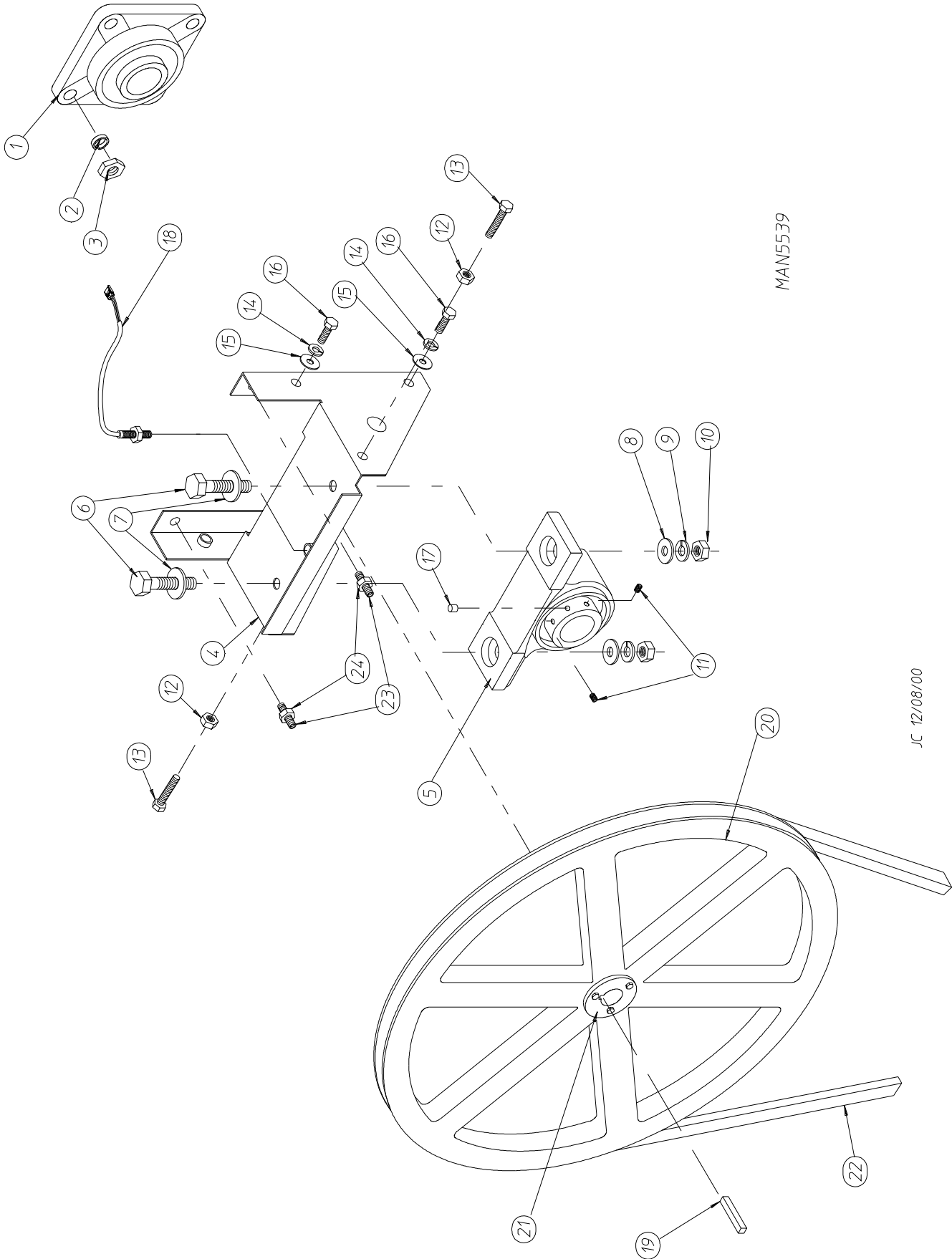
<u>Illus. No.</u>	<u>Part No.</u>	<u>Qty.</u>	<u>Description</u>
1	800402	1	Non-Reversing Lint Trap Assembly Complete (includes illus. nos. 1 and 3 through 5)
	800404	1	Non-Reversing Lint Trap ONLY
	800407	1	Reversing Lint Trap Assembly Complete (includes illus. nos. 1 and 3 through 5)
	800406	1	Reversing Lint Trap ONLY
2	154200	7	5/32" Pop Rivet
3	304101	1	Lint Screen Holder ONLY
4	150300	2	#10-16 x 1/2" Hex Washer TEK Screw
5	800501	1	Lint Screen ONLY
6	150419	2	#6 x 1/2" Tamperproof TEK Screw
7	108120	1	Chain for Drop Lint Door (10-1/2" length)
8	150425	2	#12-24 x 3/8" Phillips Round Head Machine Screw
9	122116	1	Lint Drawer Switch ONLY
10	323724	1	Lint Drawer Switch Bracket Assembly



JCARRITA 11/14/02

Illus. No.	Part No.	Qty.	Description
1	881774	1	Tumbler ONLY with Felt Collar
	881829	1	Non-Reversing Tumbler and Support Assembly Complete (includes illus. nos. 1 through 10)
	881777	1	Reversing Tumbler and Support Assembly Complete (includes illus. nos. 1 through 10)
2	150309	40	#10-16 x 1/2" Hex Head TEK Crimptite Screw
3	301316	4	Tumbler Rib ONLY
4	115986	1	Felt Tumbler Pad (for models mfd. as of January 22, 2002)
5	150407	1	5/16-18 x 3/4" Socket Button Head Screw (for models mfd. prior to January 22, 2002)
6	881828	1	Non-Reversing Tumbler Support ONLY
	881776	1	Reversing Tumbler Support ONLY
7	116000	1	Felt Collar ONLY
	401010	1	#847 Adhesive for Felt Collar
8	153004	8	3/8" Flat Washer
9	100915	4	3/8-16 x 31-1/8" Tie Rod
10	152005	4	3/8" Hex Nut
11	153005	4	3/8" Lock Washer

Tumbler Bearing Assembly

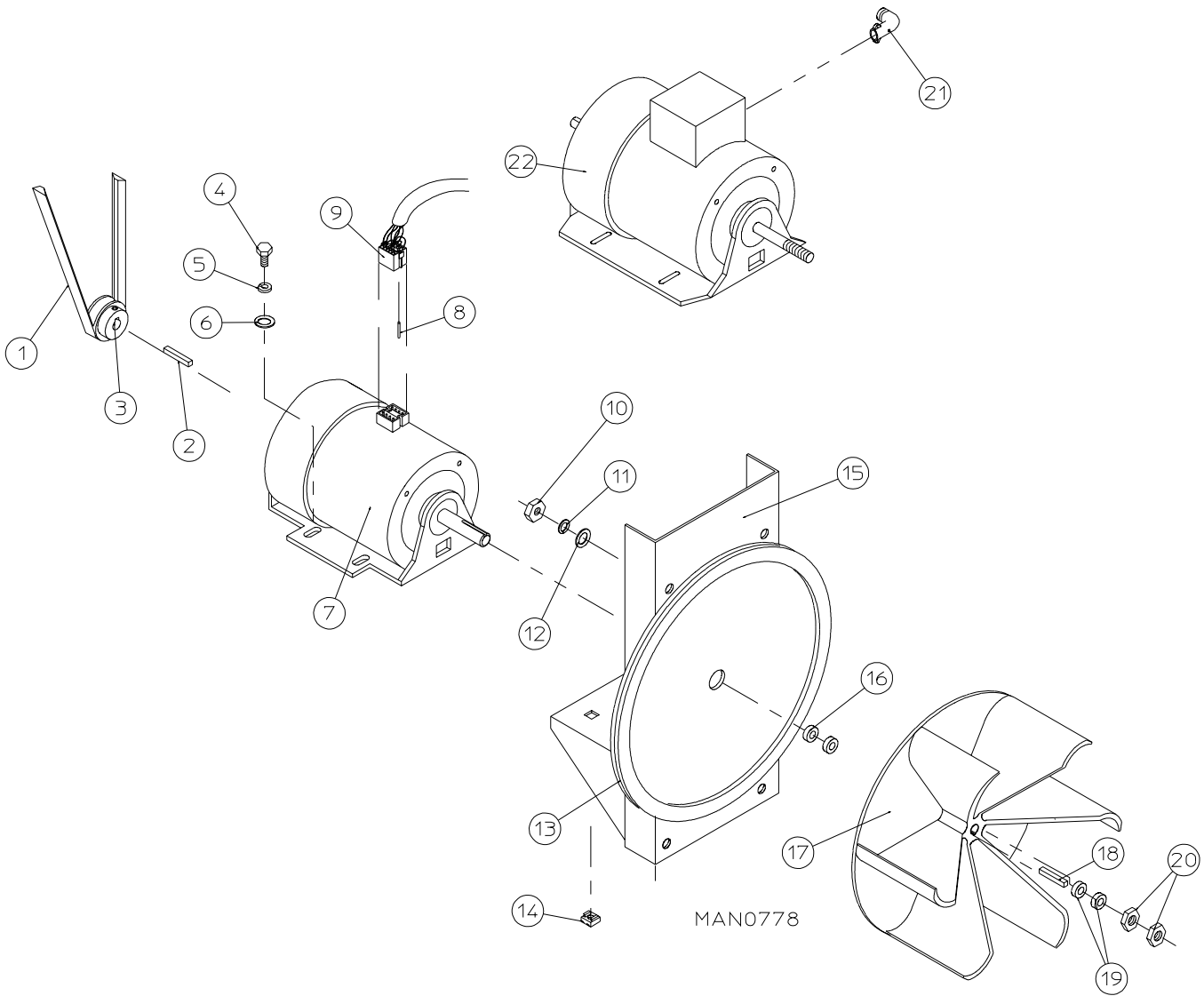


MAN5539

JC 12/08/00

<u>Illus. No.</u>	<u>Part No.</u>	<u>Qty.</u>	<u>Description</u>
1	880220	1	1-3/4" Flange Bearing
2	153025	4	9/16" Lock Washer
3	152050	4	9/16-12 Hex Nut
4	883387	1	Pillow Block Bearing Assembly Complete (includes illus. nos. 4 through 18, 23, and 24)
	882543	1	Pillow Block Bearing Platform ONLY
5	880779	1	1-3/8" Pillow Block Bearing
6	150601	2	3/8-16 x 2" Hex Bolt
7	153004	2	3/8" Flat Washer
8	153004	2	3/8" Flat Washer
9	153005	2	3/8" Lock Washer
10	152005	2	3/8-16 Hex Nut
11	154321	2	5/16-24 x 3/8" Setscrew
12	152004	2	5/16-18 Hex Nut
13	150621	2	5/16-18 x 1-1/2" Tap Bolt
14	153002	4	5/16" Lock Washer
15	153004	6	3/8" Flat Washer
16	150501	4	5/16-18 x 3/4" Tap Bolt
17	102120	1	Sintered 8 Magnet
18	883386	1	Rotational Sensor Assembly
19	100724	1	Shaft Key (for non-reversing models Only)
	100735	1	Shaft Key (for reversing models Only)
20	884042	1	18" Pulley (for non-reversing models Only)
	101118	1	18-3/4" Pulley (for reversing models Only)
21	101110	1	1" Taper Lock Bushing (for reversing models Only)
22	100108	1	5L-680 V-Belt (tumbler to idler) for Non-Reversing Models ONLY
	100106	1	5L-690 V-Belt (tumbler to idler) for Reversing Models ONLY
23	150610	2	5/16-18 x 1-1/2 Allen Setscrew
24	152004	2	5/16-18 Hex Nut

Non-Reversing T.E.F.C. Motor Mount Assembly

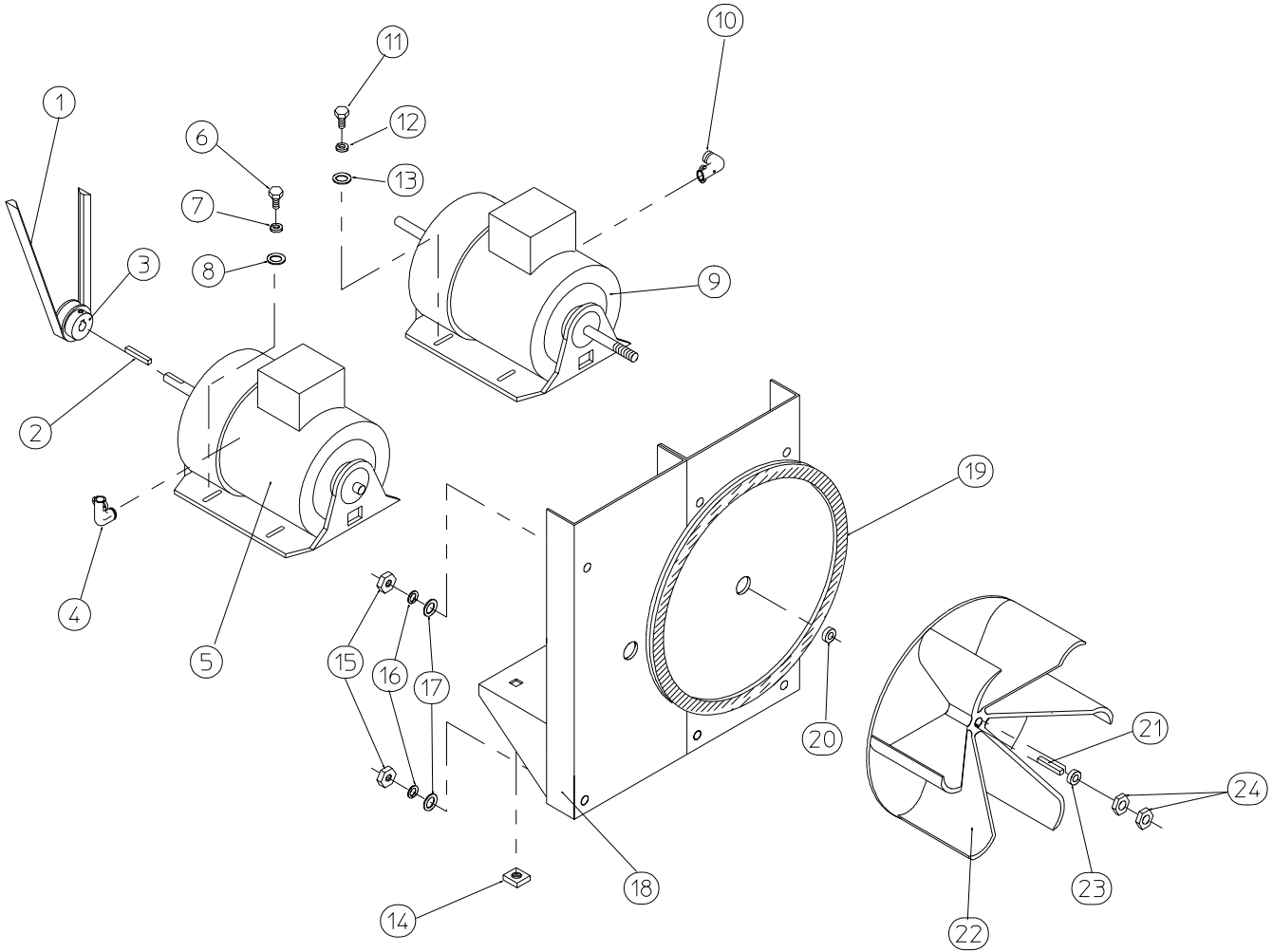


Non-Reversing T.E.F.C. Motor Mount Assembly

<u>Illus. No.</u>	<u>Part No.</u>	<u>Qty.</u>	<u>Description</u>
1	100109	1	4L-650 V-Belt (motor to idler)
2	100701	1	3/16" x 3/16" x 1" Key
3	101130	1	5/8" x 2-1/2" Motor Pulley (for 60 Hz models Only)
	101139	1	5/8" x 2-3/4" Motor Pulley (for 50 Hz models Only)
4	150501	4	5/16-18 x 3/4" Hex Head Machine Bolt
5	153002	4	5/16" Lock Washer
6	153001	4	5/16" Flat Washer
7	100069	1	3/4 hp 120/230v 1ø 60 Hz Totally Enclosed, Fan-Cooled Motor with Plug (56Z frame)
	100068	1	3/4 hp 240v 1ø 50 Hz Totally Enclosed, Fan-Cooled Motor with Plug
8	122701	8	Socket Terminal ONLY
	122801	1	Pin / Socket Extraction Tool
9	137030	1	8-Pin Housing Connector
10	152004	4	5/16-18 Hex Nut
11	153002	4	5/16" Lock Washer
12	153001	4	5/16" Flat Washer
13	117604	4	Noise Suppressor Tape (sold by the foot)
14	154000	4	5/16-18 Tinnerman Nut
15	850017	1	Non-Reversing Motor Mount ONLY (56Z frame)
	803768	1	3/4 hp 120/230v 1ø 60 Hz Totally Enclosed, Fan-Cooled Motor Mount Assembly Complete with Plug Motor (includes illus. nos. 2 through 7 and 13 through 20)
	803848	1	3/4 hp 230v 1ø 50 Hz Totally Enclosed, Fan-Cooled Motor Mount Assembly Complete with Plug Motor (includes illus. nos. 2 through 7 and 13 through 20)
	803854*	1	1/2 hp 208/230/380/460v 3ø 60 Hz Non-Reversing Totally Enclosed, Fan-Cooled Motor Mount Assembly Complete (includes illus. nos. 2 through 6 and 13 through 22)
	803856*	1	1/2 hp 208/230/380/460v 3ø 50 Hz Non-Reversing Totally Enclosed, Fan-Cooled Motor Mount Assembly Complete (includes illus. nos. 2 through 6 and 13 through 22)
16	153050	2	1/2" S.A.E. Flat Washer
17	100604	1	12-1/2" Impellor with 1/2" Bore
18	100702	1	1/8" x 1/8" x 1-1/2" Key
19	153050	2	1/2" S.A.E. Flat Washer
20	152006	2	1/2-20 Left Hand Jam Nut
21	120200	1	3/8" x 90° Connector
22*	100007	1	1/2 hp 208/230/240/460v 3ø 50/60 Hz Totally Enclosed, Fan-Cooled Motor (56Z frame)

* Specify voltage when ordering.

Reversing T.E.F.C. Motor Mount Assembly



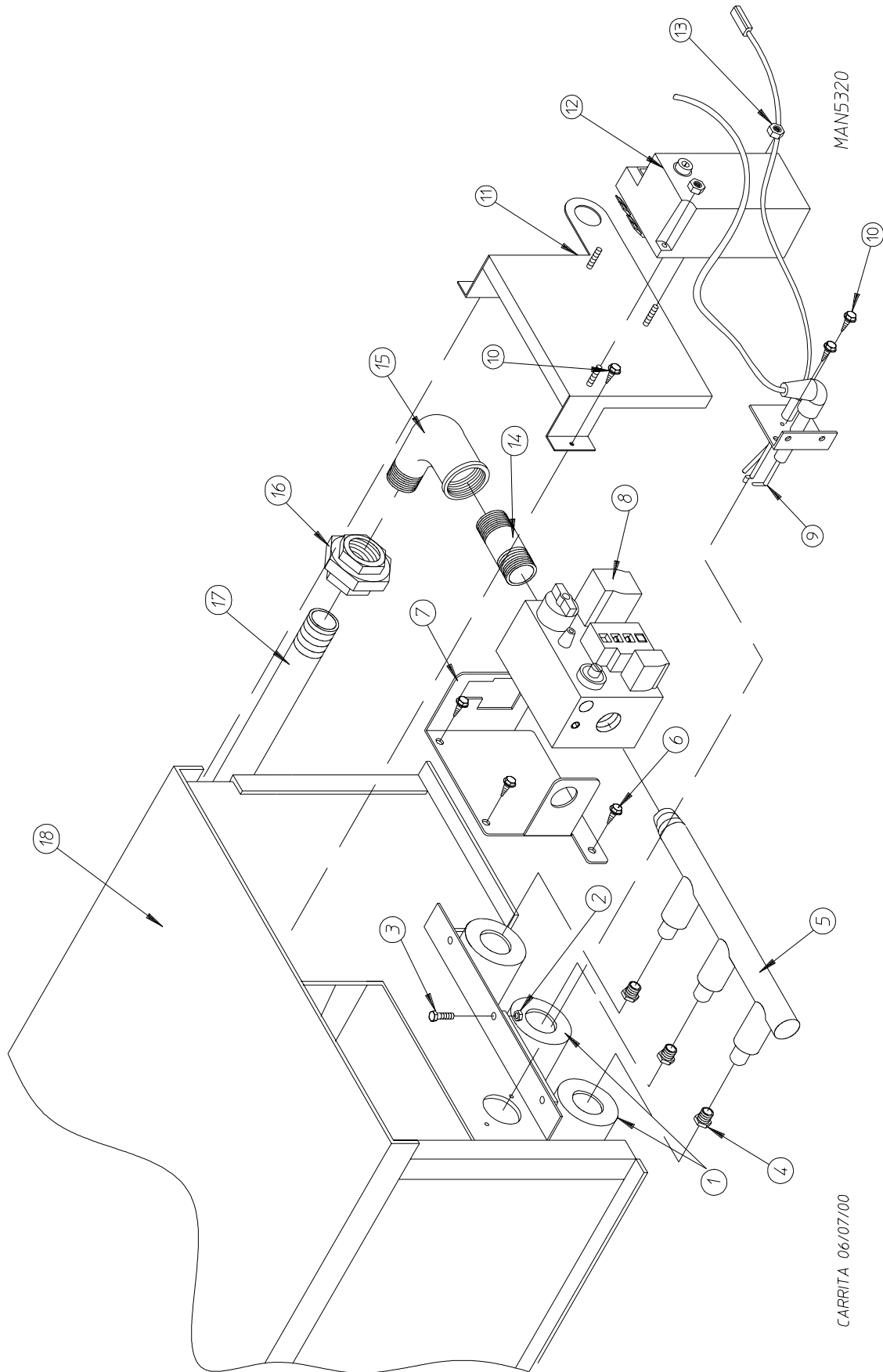
MAN0250

Reversing T.E.F.C. Motor Mount Assembly

<u>Illus. No.</u>	<u>Part No.</u>	<u>Qty.</u>	<u>Description</u>
1	100109	1	4L-650 V-Belt (motor to idler)
2	100701	1	3/16" x 3/16" x 1" Key
3	101130	1	5/8" x 2-1/2" Motor Pulley (for 60 Hz models Only)
	101133	1	5/8" x 2-3/4" Motor Pulley (for 50 Hz models Only)
4	120200	1	3/8" x 90° Connector
5*	181003	1	1/2 hp 208/230/380/460v 3ø 50/60 Hz Totally Enclosed, Fan-Cooled Motor (56Z frame)
6	150501	4	5/16-18 x 3/4" Hex Head Machine Bolt
7	153002	4	5/16" Lock Washer
8	153001	4	5/16" Flat Washer
9*	100007	1	1/2 hp 208/230/240/460v 3ø 50/60 Hz Totally Enclosed, Fan-Cooled Motor (56Z frame)
10	120200	1	3/8" x 90° Connector
11	150501	4	5/16-18 x 3/4" Hex Head Machine Bolt
12	153002	4	5/16" Lock Washer
13	153001	4	5/16" Flat Washer
14	154000	8	5/16" Tinnerman Nut
15	152004	4	5/16" Hex Nut
16	153002	4	5/16" Lock Washer
17	153001	4	5/16" Flat Washer
18	800912	1	Reversing Motor Mount ONLY (56Z frame)
	803974*	1	Reversing Totally Enclosed, Fan-Cooled Motor Mount Assembly Complete (for 60 Hz models Only) (includes illus. nos. 2 through 14 and 18 through 24)
	803912*	1	Reversing Totally Enclosed, Fan-Cooled Motor Mount Assembly Complete (for 50 Hz models Only) (includes illus. nos. 2 through 14 and 18 through 24)
19	117604	4	Noise Suppressor Tape (sold by the foot)
20	153050	2	1/2" S.A.E. Flat Washer
21	100702	1	1/8" x 1/8" x 1-1/2" Key
22	100604	1	12-1/2" Impellor with 1/2" Bore
23	153050	2	1/2" S.A.E. Flat Washer
24	152006	2	1/2-20 Left Hand Jam Nut

* Specify voltage when ordering.

Direct Spark Ignition Burner Assembly

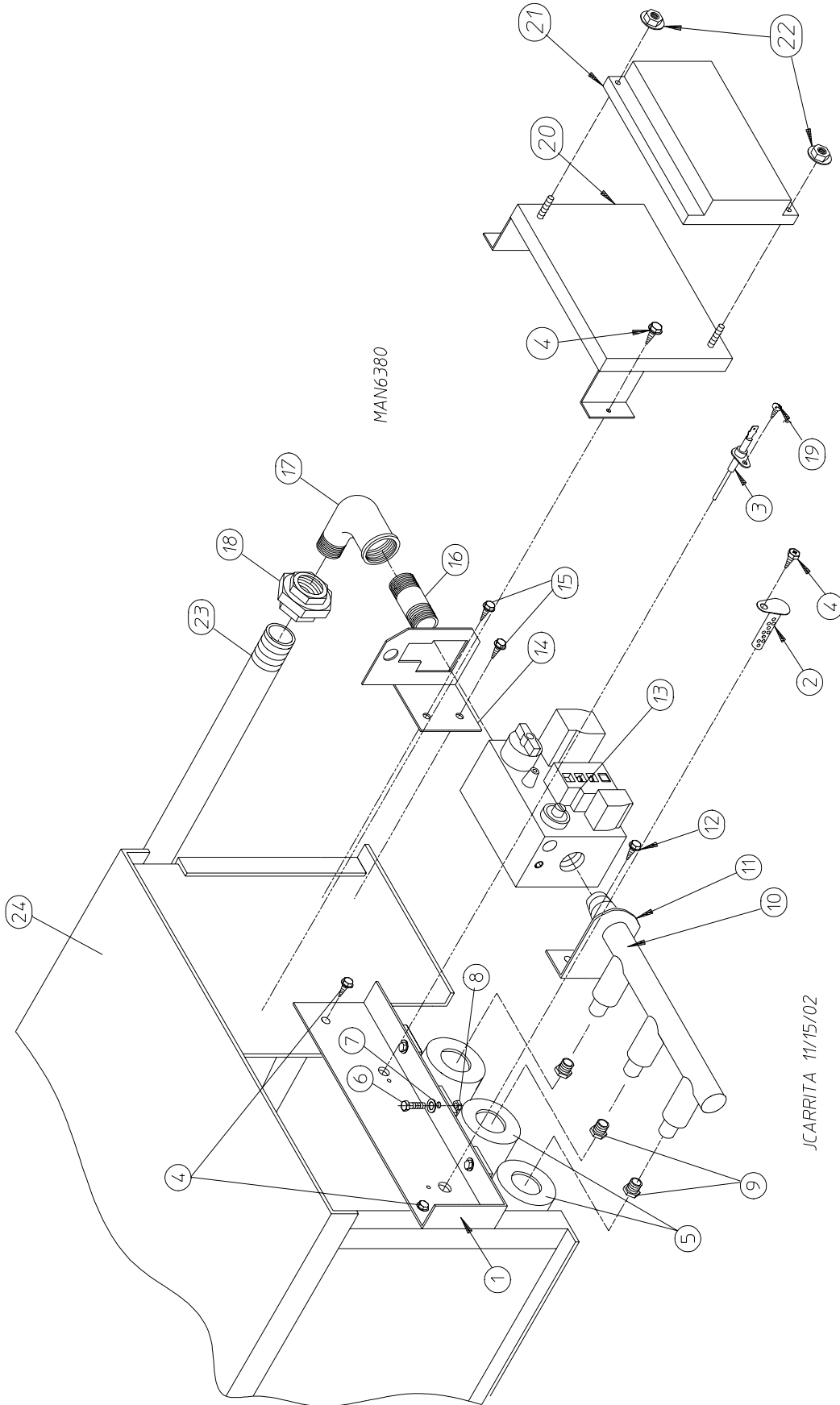


Direct Spark Ignition Burner Assembly

<u>Illus. No.</u>	<u>Part No.</u>	<u>Qty.</u>	<u>Description</u>
1	141105	3	Large Tube Burner
2	151001	3	#8-32 Pal Nut
3	150108	3	#8-32 x 1/2" Pan Head Machine Screw
4*	140820	3	#29 Natural Gas Burner Orifice
	140804	3	#48 Liquid Propane Burner Orifice
5	141232	1	1/2" Direct Spark Ignition Manifold (3-port)
6	150309	3	#10-16 x 1/2" Hex Head TEK Crimptite Screw
7	318716	1	Gas Valve Bracket
8	128927	1	1/2" 24 VAC Redundant (natural gas) Gas Valve
	880960	1	1/2" 24 VAC Redundant (liquid propane gas) Gas Valve
9	880134	1	Ignitor Probe Assembly
	882537	1	Flame-Probe Wire
10	150300	2	#10-16 x 1/2" Hex Washer TEK Screw
11	817027	1	Direct Spark Ignition Module Mounting Bracket Assembly
12	883849	1	Johnson Controls Direct Spark Ignition Module with 3 Tries
13	152013	2	#6-32 Hex Nut
14	142707	1	1/2" x 1-1/2" Black Nipple
15	142506	1	1/2" Street Elbow
16	142600	1	1/2" Black Union
17	142809	1	1/2" x 29" Pipe / Nipple
18	809707	1	Direct Spark Ignition Burner Assembly Complete (natural gas) (includes illus. nos. 1 through 3 and 5 through 18)
	809708	1	Direct Spark Ignition Burner Assembly Complete (liquid propane gas) (includes illus. nos. 1 through 3 and 5 through 18)
	850852	1	Direct Spark Ignition Burner Box ONLY
	881598*	1	ML-55 Liquid Propane Conversion Kit (includes orifices)

* Consult factory for elevations over 2,000 feet.

Hot Surface Ignition Burner Assembly



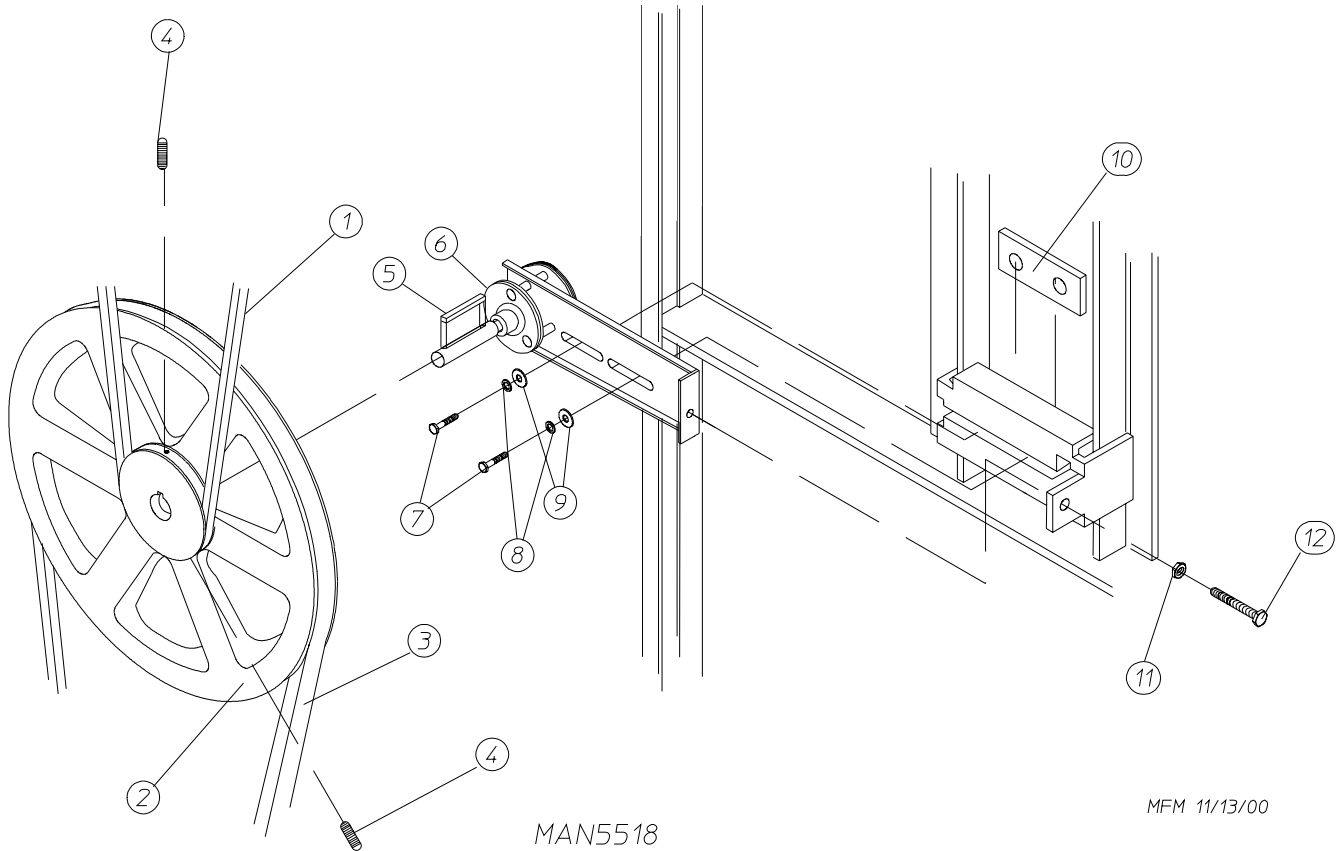
Hot Surface Ignition Burner Assembly

<u>Illus. No.</u>	<u>Part No.</u>	<u>Qty.</u>	<u>Description</u>
1	318403	1	Hot Surface Ignition Burner Shield
2	881597	1	Hot Surface Ignitor – 24 VAC (2-1/2" length)
3	128921	1	Hot Surface Ignition Flame Sensor
4	150309	2	#10-16 x 1/2" Hex Head TEK Crimptite Screw
5	141105	3	Large Burner Tube
6	150103	1	#8-32 x 1/2" Phillips Round Head Machine Screw
7	153000	1	#8 Steel Burr
8	151001	1	#8-32 Pal Nut
9*	140820	3	#29 Natural Gas Orifice
	140804	3	#48 Liquid Propane Gas Orifice
10	141232	1	3-Port Manifold
11	318700	1	Pipe Bracket
12	150300	2	#10-16 x 1/2" Hex Washer TEK Screw
13	128927	1	1/2" 24 VAC Redundant (natural gas) Gas Valve
	880960	1	1/2" 24 VAC (liquid propane gas) Gas Valve Assembly
14	318712	2	GV Pipe Bracket
15	150309	2	#10-32 x 1/2" Hex Head TEK Crimptite Screw
16	142707	1	1/2" x 1-1/2" Black Iron Nipple
17	142506	1	1/2" Street Elbow
18	142600	1	1/2" Union
19	150301	1	#8-18 x 7/16" Phillips Pan Head TEK Screw
20	810029	1	Hot Surface Ignition Module Bracket Assembly
21	881797	1	Hot Surface Ignition Module II
22	151001	2	#8-32 Pal Nut
—*	881598	1	Hot Surface Ignition Liquid Propane Conversion Kit
23	142809	1	1/2" x 29-1/8" Pipe
24	809712**	1	Natural Gas Burner Assembly (includes illus. nos. 1 through 8 and 10 through 24)
	809713	1	Liquid Propane Assembly (includes illus. nos. 1 through 8 and 10 through 24)
	850843	1	Hot Surface Ignition Burner Box ONLY

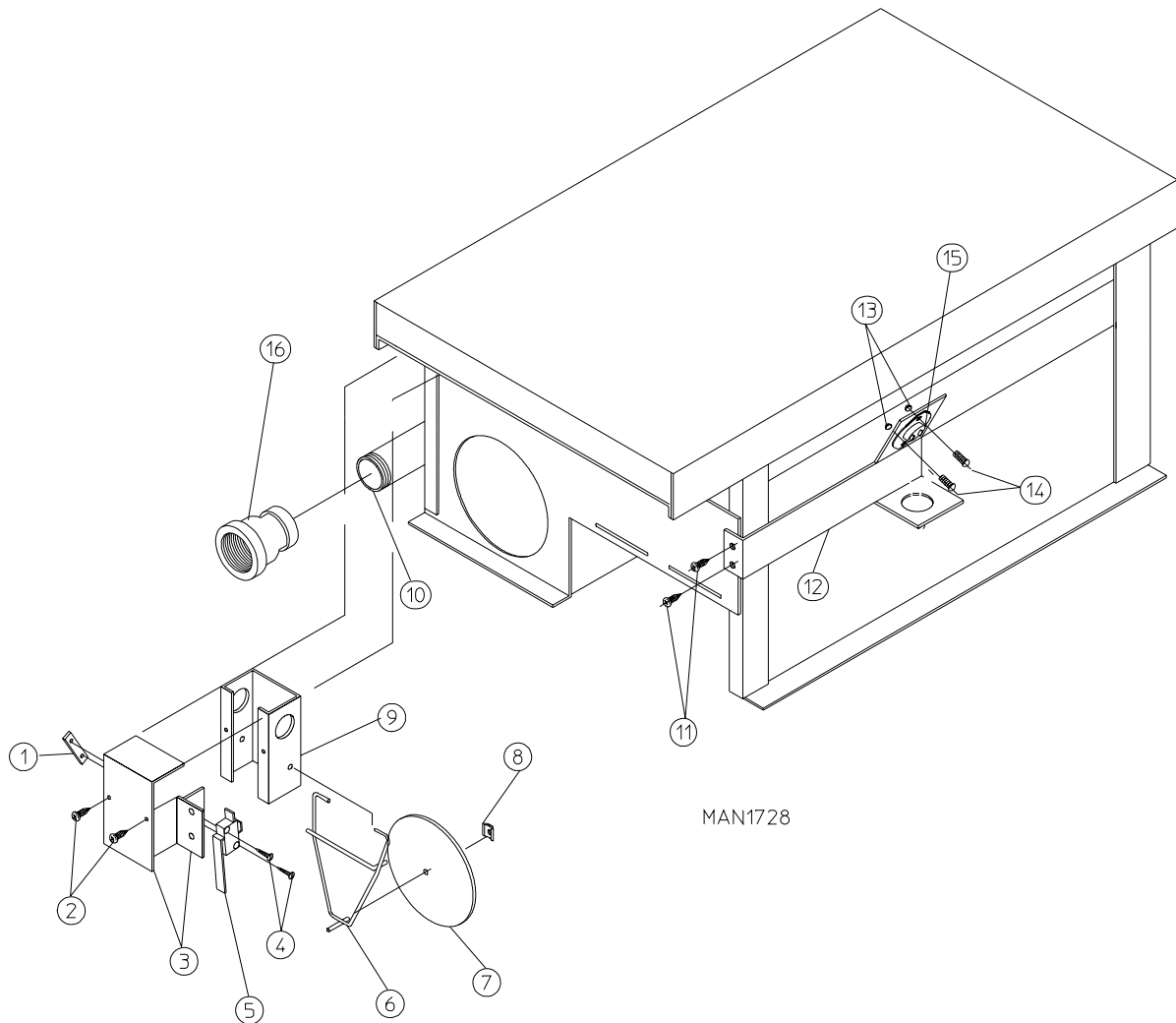
* Consult factory for elevations over 2,000 feet.

** Burner orifices are not included and must be ordered separately.

Idler Bearing Assembly



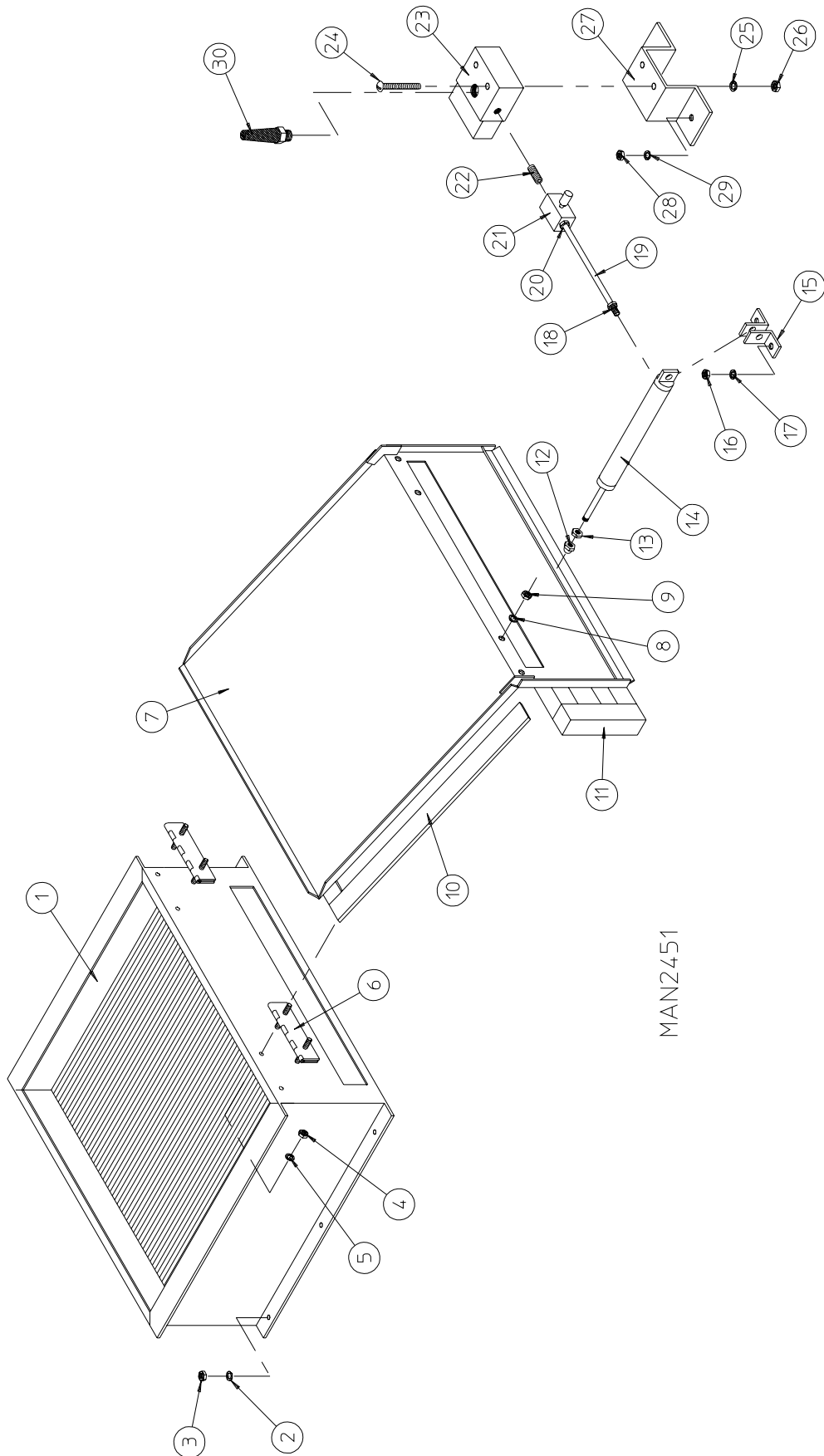
Illus. No.	Part No.	Qty.	Description
1	100108	1	5L-680 V-Belt (non-reversing)
	100106	1	5L-690 V-Belt (reversing)
2	101140	1	14" x 3" Compound Pulley
3	100109	1	4L-650 V-Belt (idler to motor) Non-Reversing / Reversing Models
4	154301	2	5/16-18 x 1" Allen Setscrew
5	100705	1	3/16" x 3/16" x 1-3/8" Key
6	882576	1	Idler Bearing Assembly Complete (includes illus. nos. 5 through 12)
7	150617	2	3/8-16 x 1" Hex Head Machine Bolt
8	153005	2	3/8" Lock Washer
9	153004	2	3/8" Flat Washer
10	801009	1	Idler Square Washer
11	152004	1	5/16-18 Hex Nut
12	150509	1	5/16-18 x 3" Hex Head Machine Bolt



MAN1728

<u>Illus. No.</u>	<u>Part No.</u>	<u>Qty.</u>	<u>Description</u>
1	154004	1	Twin Speed Nut
2	150309	2	#10-16 x 1/2" Hex Head TEK Crimptite Screw
3	802799	1	Sail Switch Box Cover and Bracket ONLY
4	150303	2	#4 x 3/4" Pan Head "A" Machine Screw
5	122200	1	Sail Switch ONLY (for microprocessor controller [computer] models Only)
	122404	1	Sail Switch ONLY (for non-microprocessor models)
6	105500	1	Sail Switch Actuator Rod
7	319202	1	Sail Switch Damper (flat)
8	154002	1	1/8" Push-On Fastener
9	802800	1	Sail Switch Box with Cover and Bracket ONLY
	802801	1	Sail Switch Assembly Complete for Microprocessor Models ONLY (includes illus. nos. 1 through 8)
10	142809	1	1/2" x 29-1/8" Pipe
11	150309	2	#10-16 x 1/2" Hex Head TEK Crimptite Screw
12	319704	1	Hi-Limit Mounting Bracket ONLY
13	151000	2	#6-32 Pal Nut
14	150001	2	#6-32 x 1/2" Round Head Machine Screw
15	130201	1	330° Hi-Limit ONLY
16	143000	1	1/2" x 3/4" Reducing Coupling

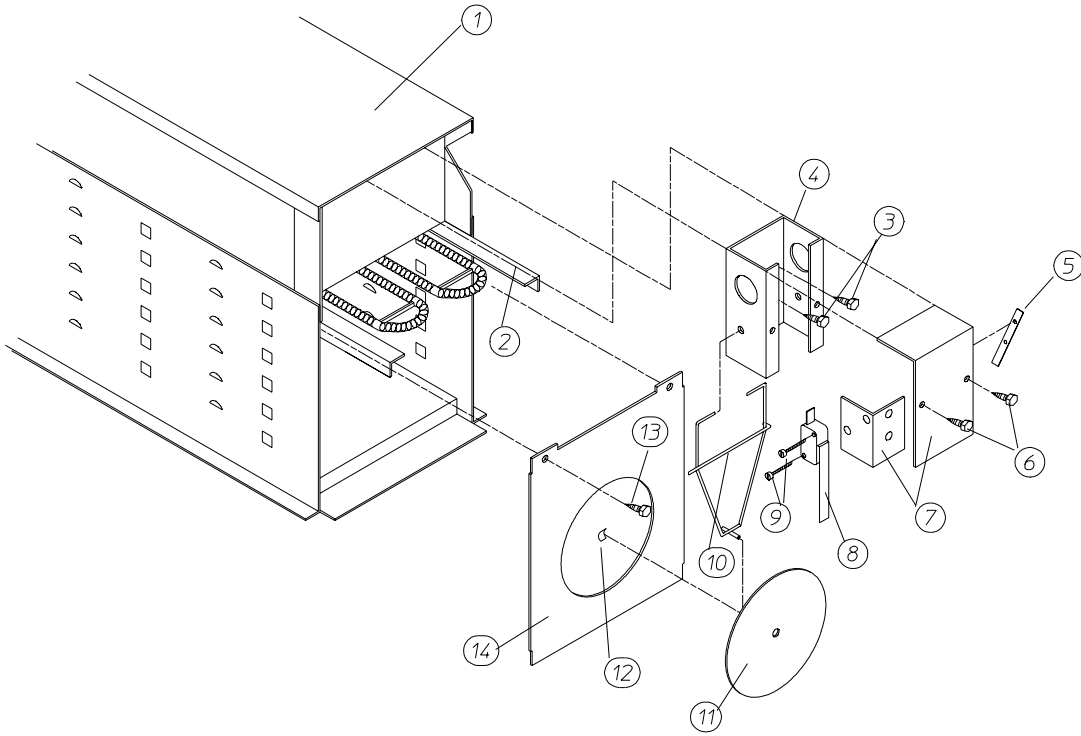
Air-Operated Steam Damper Assembly



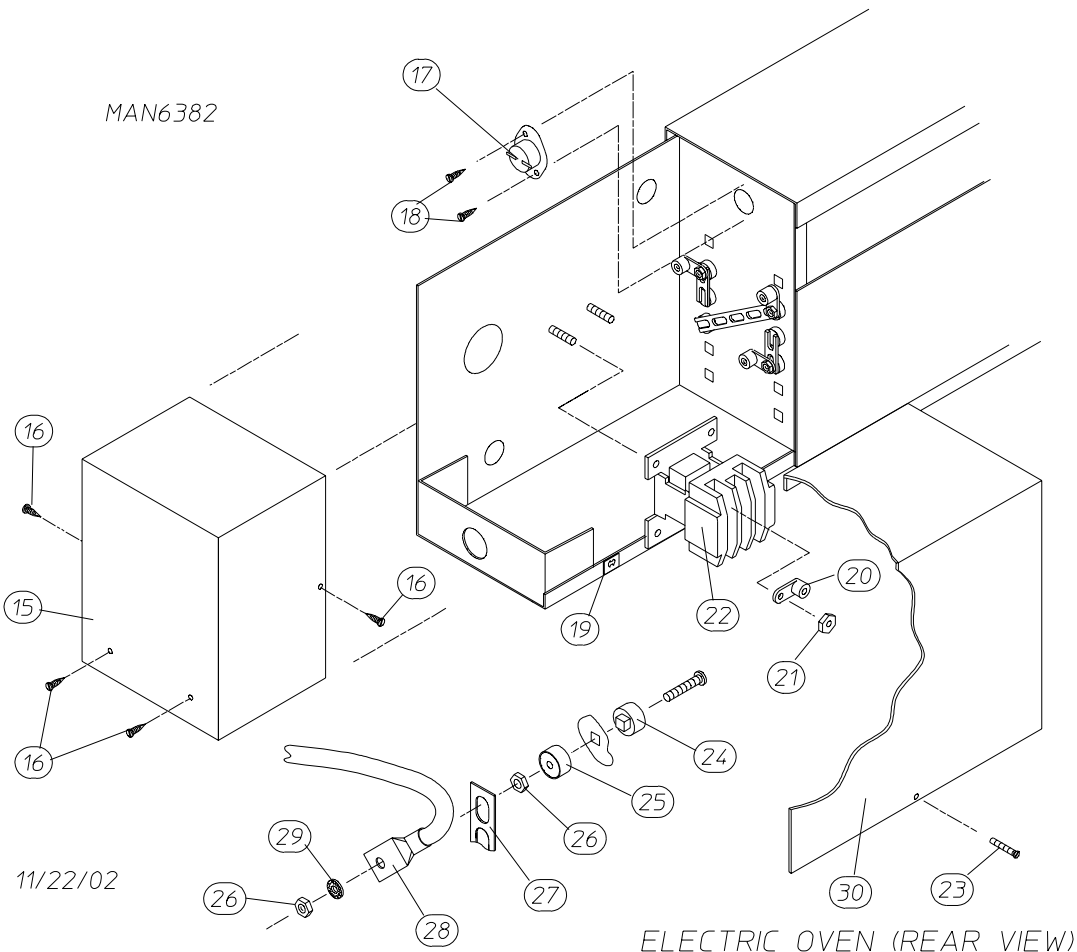
Air-Operated Steam Damper Assembly

<u>Illus. No.</u>	<u>Part No.</u>	<u>Qty.</u>	<u>Description</u>
1	165011	1	Steam Coil Assembly
2	153002	6	5/16" Lock Washer
3	152004	6	5/16-18 Hex Nut
4	152002	4	1/4-20 Hex Nut
5	153007	4	1/4" Lock Washer
6	820321	2	Steam Damper Hinge Assembly
7	803416	1	Steam Damper Assembly (includes illus. nos. 7, 10, and 11)
8	153007	4	1/4" Lock Washer
9	152002	4	1/4-20 Hex Nut
10	115995	66	Steam Damper Gasket (sold by the inch)
11	102350	1	Steam Damper Foam (68-1/2" length)
12	151006	1	5/16-24 Stainless Steel Acorn Nut
13	152051	1	5/16-24 Right Hand Jam Nut
14	100497	1	1-1/4" Bore x 3" Stroke Piston
15	100492	2	Piston Support Bracket
16	152002	2	1/4-20 Hex Nut
17	153007	2	1/4" Lock Washer
18	100472	1	1/4" Poly x 1/8" M.P.T. Connector
19	143110	1	1/4" Poly-Flo Tubing (sold by the foot)
20	100472	1	1/4" Poly x 1/8" M.P.T. Connector
21	100496	1	1/8" Needle Valve
22	143238	1	1/8" Close Nipple
23	100498	1	3-Way Micro Valve – 24 VAC
24	150002	2	#6-32 x 1" Slotted Machine Screw
25	153010	2	#6 Star Washer
26	152000	2	#6-32 Hex Nut
27	330987	1	Micro Valve Support Bracket
28	152002	2	1/4-20 Hex Nut
29	153007	2	1/4" Lock Washer
30	100520	1	1/8" N.P.T. Silencer (muffler)

Electric Oven Assembly



ELECTRIC OVEN (FRONT VIEW)



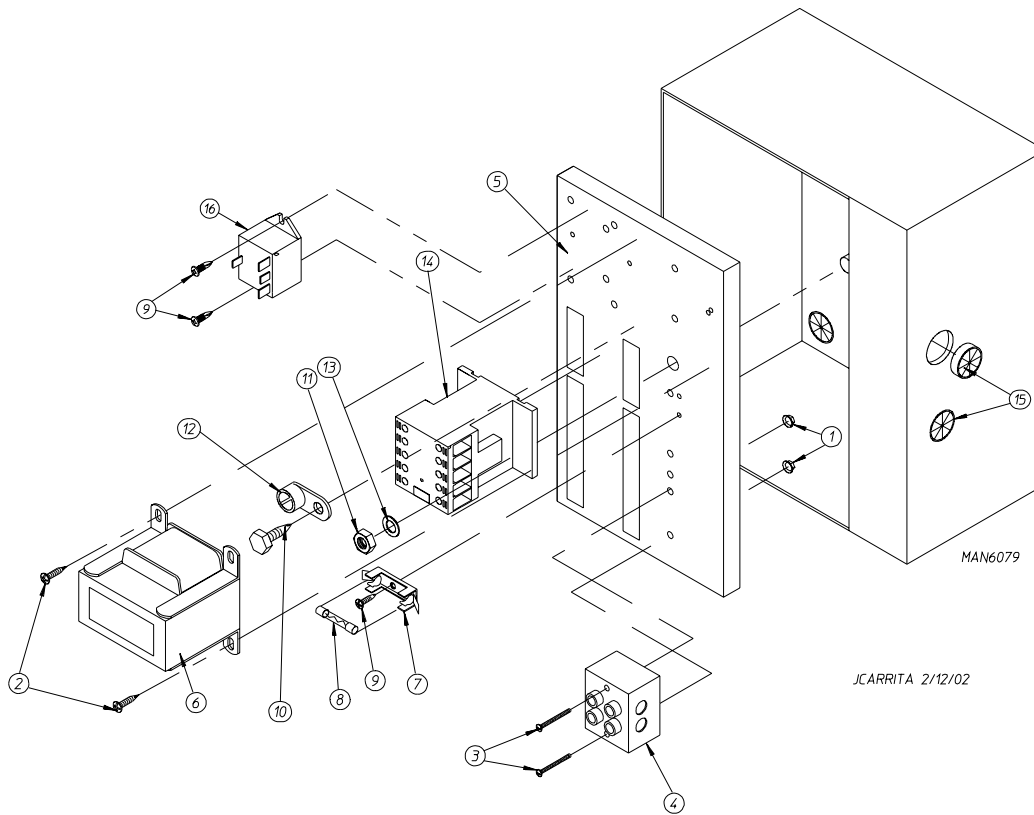
ELECTRIC OVEN (REAR VIEW)

<u>Illus. No.</u>	<u>Part No.</u>	<u>Qty.</u>	<u>Description</u>
1	803007*	1	Large Electric Oven Box ONLY
	_____*	1	Electric Oven Assembly Complete
2	_____*	—	Electric Element
3	150300	2	#10-16 x 1/2" Hex Washer TEK Screw
4	802800	1	Sail Switch Box with Bracket and Cover ONLY
	802801	1	Sail Switch Box Assembly Complete (includes illus. nos. 4 through 12)
5	154004	1	Twin Speed Nut
6	150300	2	#10-16 x 1/2" Hex Washer TEK Screw
7	802799	1	Sail Switch Box Cover and Bracket ONLY
8	122200	1	Sail Switch ONLY
9	150303	2	#4 x 3/4" Phillips Pan Head "A" Machine Screw
10	105500	1	Sail Switch Actuator Rod
11	319202	1	Sail Switch Damper (flat)
12	154002	1	1/8" Push-On Fastener
13	150300	2	#10-16 x 1/2" Hex Washer TEK Screw
14	803100	1	Electric Oven Front Cover ONLY
15	320611	1	Large Relay Box Cover ONLY
16	150301	2	#8-18 x 7/16" Phillips Pan Head TEK Screw
17	130201	1	290° Hi-Limit Thermostat
18	150300	2	#10-16 x 1/2" Hex Washer TEK Screw
19	154001	2	#10-24 Speed Nut
20	121010	1	L-70 Ground Lug
21	152014	3	1/4-20 Free Spin Wash Nut
22	_____*	1	Oven Relay
23	150207	2	#10-24 x 1/2" Phillips Pan Head Machine Screw
24	120081	—	Internal Ceramic Insulator (2 per element)
25	120080	—	External Ceramic Insulator (2 per element)
26	152008	—	#10-32 Hex Nut (4 per element)
27	121011	—	Bus Bar (sold by the foot)
28	_____*	—	Oven Wiring
29	153009	—	#10 Star Washer (2 per element)
30	321301	1	Large Electric Oven Right Side Cover ONLY
	883310**	1	Steam to Electric Transition Plate ... Not Illustrated

* Refer to Electric Oven Component Application Chart on [page 49](#).

** Needed when converting dryer from steam heat to electric heat.

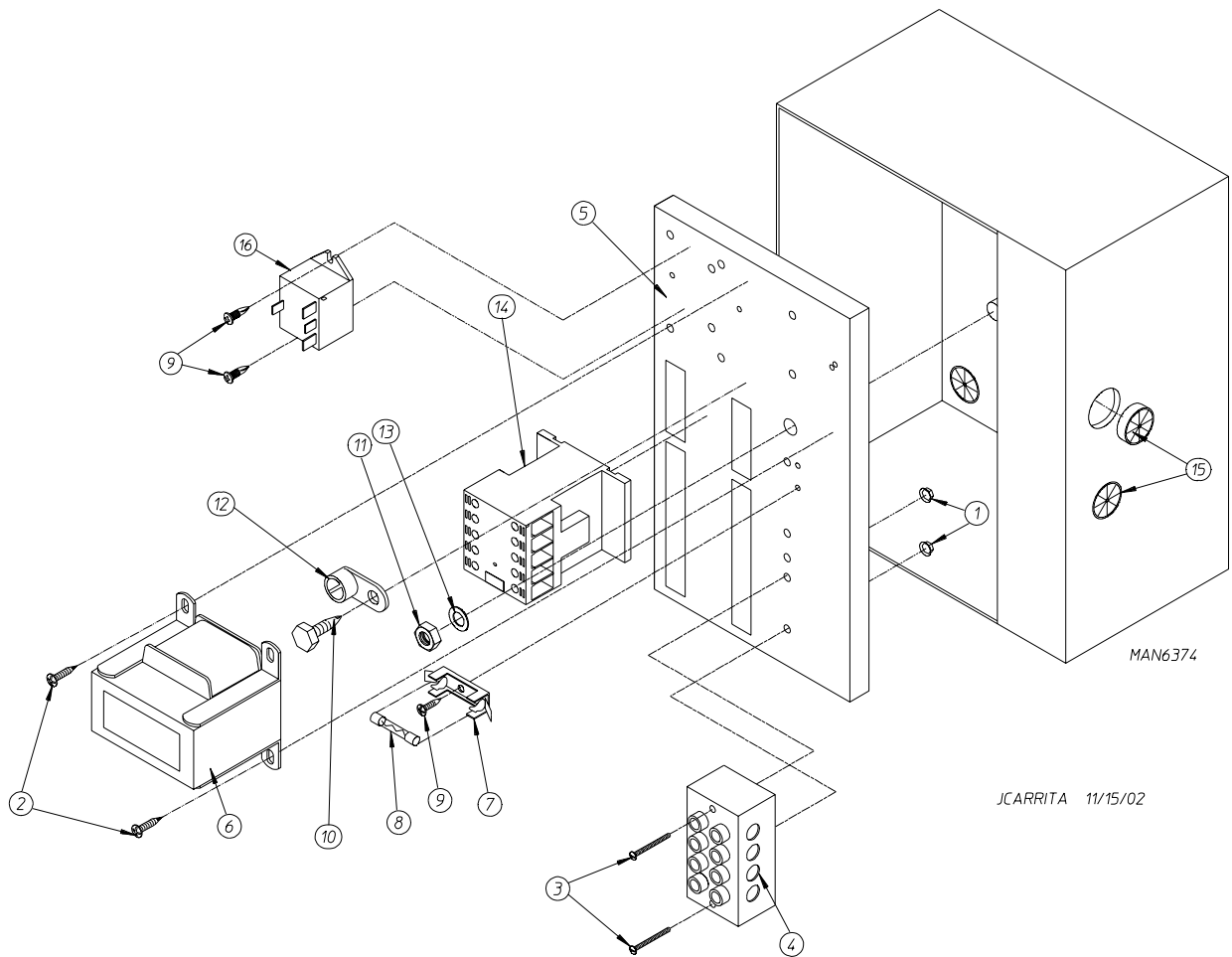
Single-Phase (1 ϕ) MP Rear Electric Relay Panel Assembly



Illus. No.	Part No.	Qty.	Description
1	151000	2	#6-32 Pal Nut
2	150300	2	#10-16 x 1/2" Hex Washer TEK Screw
3	150008	2	#6-32 x 1-1/4" Phillips Pan Head Machine Screw
4	120716	1	2-Position Terminal Block
5	322812	1	Rear Electric Mounting Plate ONLY
	822796	1	Rear Electric Panel Assembly Complete – 115 Volt 1 ϕ (for gas models Only) (includes illus. nos. 1 through 14)
	830153	1	Rear Electric Panel Assembly Complete – 115 Volt 1 ϕ (for steam models Only) (includes illus. nos. 1 through 14)
	822798	1	Rear Electric Panel Assembly Complete – 208-240 Volt 1 ϕ (for gas models Only) (includes illus. nos. 1 through 14)
	830273	1	Rear Electric Panel Assembly Complete – 208-240 Volt 1 ϕ (for steam models Only) (includes illus. nos. 1 through 14)
	830131	1	Rear Electric Panel Assembly Complete – 208-240 Volt (for electric models Only) (includes illus. nos. 1 through 14 and 16)
6	830151	1	Transformer Assembly – 115 Volt
	822799	1	Transformer Assembly – 208-240 Volt (for gas and steam models Only)
	822792	1	Transformer Assembly – 208-240 Volt (for electric models Only)
7	136008	*	Fuse Holder ONLY
8	136057	*	1/2-Amp (Slo-Blo) Fuse ONLY
9	150301	4	#8-18 x 7/16" Phillips Pan Head TEK Screw
10	150297	1	#10 x 1/2" Green Hex Washer TEK Screw
11	152004	1	5/16-18 Hex Nut
12	121010	1	L-70 Ground Lug
13	153002	1	5/16" Lock Washer
14	132495	1	3-Pole Contactor
15	121300	3	Open / Closed Bushing
16	131932	1	24V SPST Relay (for electric heated models Only)

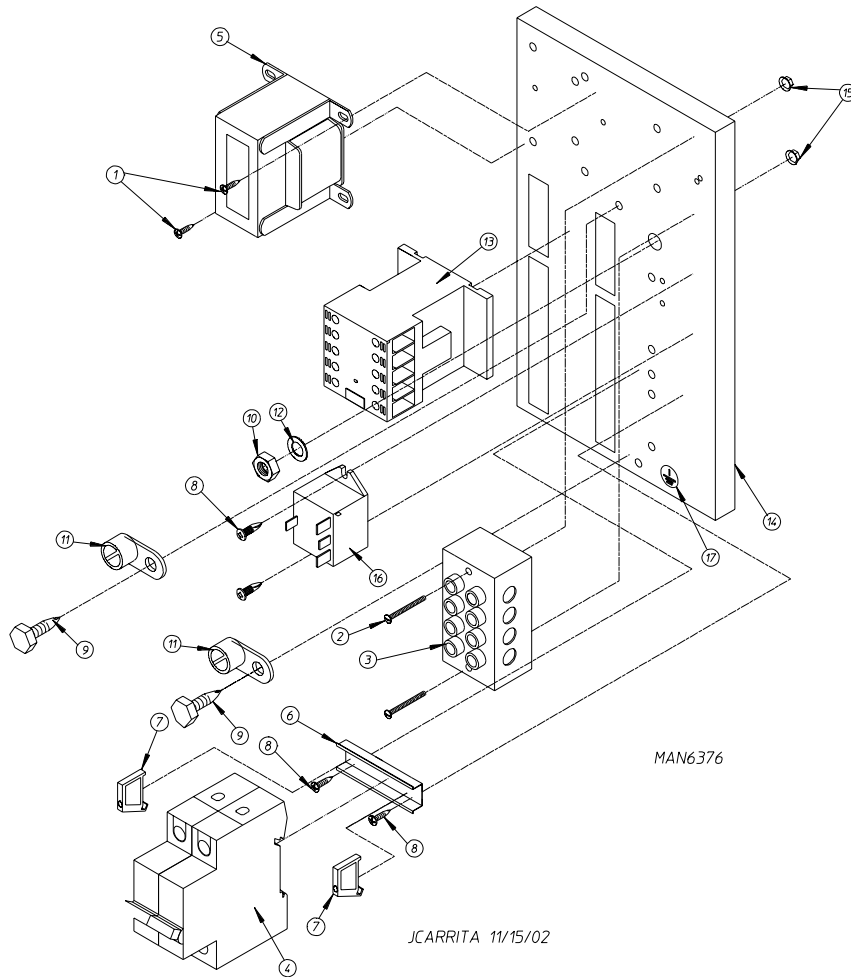
* Quantity is 1 for 115v and 2 for 208-240v.

208-240V 3-Phase (3 ϕ) MP Rear Electric Relay Panel Assembly



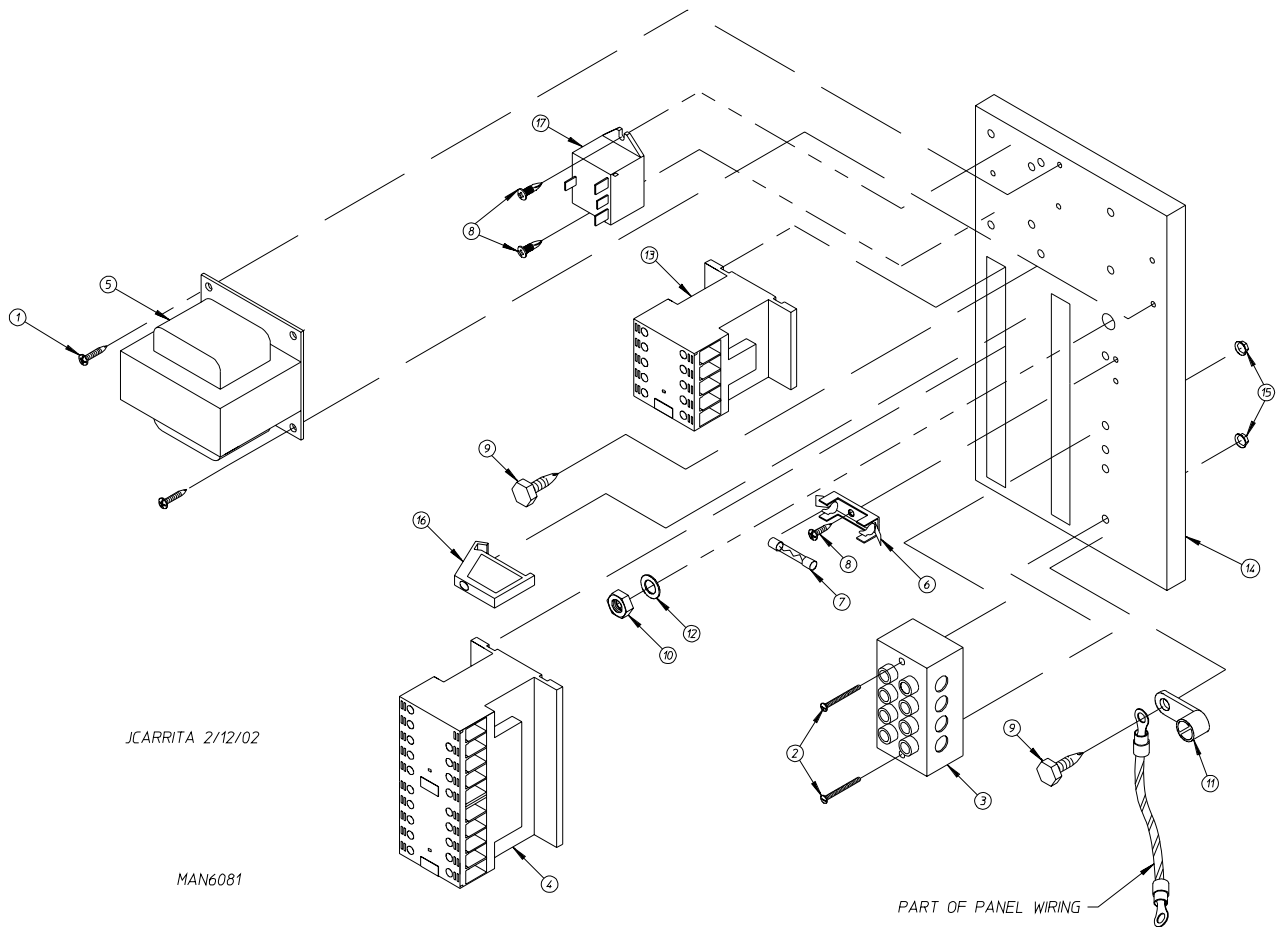
<u>Illus. No.</u>	<u>Part No.</u>	<u>Qty.</u>	<u>Description</u>
1	151000	2	#6-32 Pal Nut
2	150300	2	#10-16 x 1/2" Hex Washer TEK Screw
3	150008	2	#6-32 x 1-1/4" Phillips Pan Head Machine Screw
4	120701	1	4-Position Terminal Block
5	322812	1	Rear Electric Mounting Plate ONLY
	830154	1	Rear Electric Panel Assembly Complete – 208-240 Volt (for gas models Only) (includes illus. nos. 1 through 14)
	830322	1	Rear Electric Panel Assembly Complete – 208-240 Volt (for steam models Only) (includes illus. nos. 1 through 14)
	830157	1	Rear Electric Panel Assembly Complete – 208-240 Volt (for electric models Only) (includes illus. nos. 1 through 14 and 16)
6	822799	1	Transformer Assembly (for gas and steam models Only)
	822792	1	Transformer Assembly (for electric models Only)
7	136008	2	Fuse Holder ONLY
8	136057	2	1/2-Amp (Slo-Blo) Fuse ONLY
9	150301	4	#8-18 x 7/16" Phillips Pan Head TEK Screw
10	150297	1	#10 x 1/2" Green Hex Washer TEK Screw
11	152004	1	5/16-18 Hex Nut
12	121010	1	L-70 Ground Lug
13	153002	1	5/16" Lock Washer
14	132495	1	3-Pole Contactor
15	121300	3	Open / Closed Bushing
16	131932	1	24V SPST Relay (for electric heated models Only)

480V MP Rear Electric Relay Panel Assembly



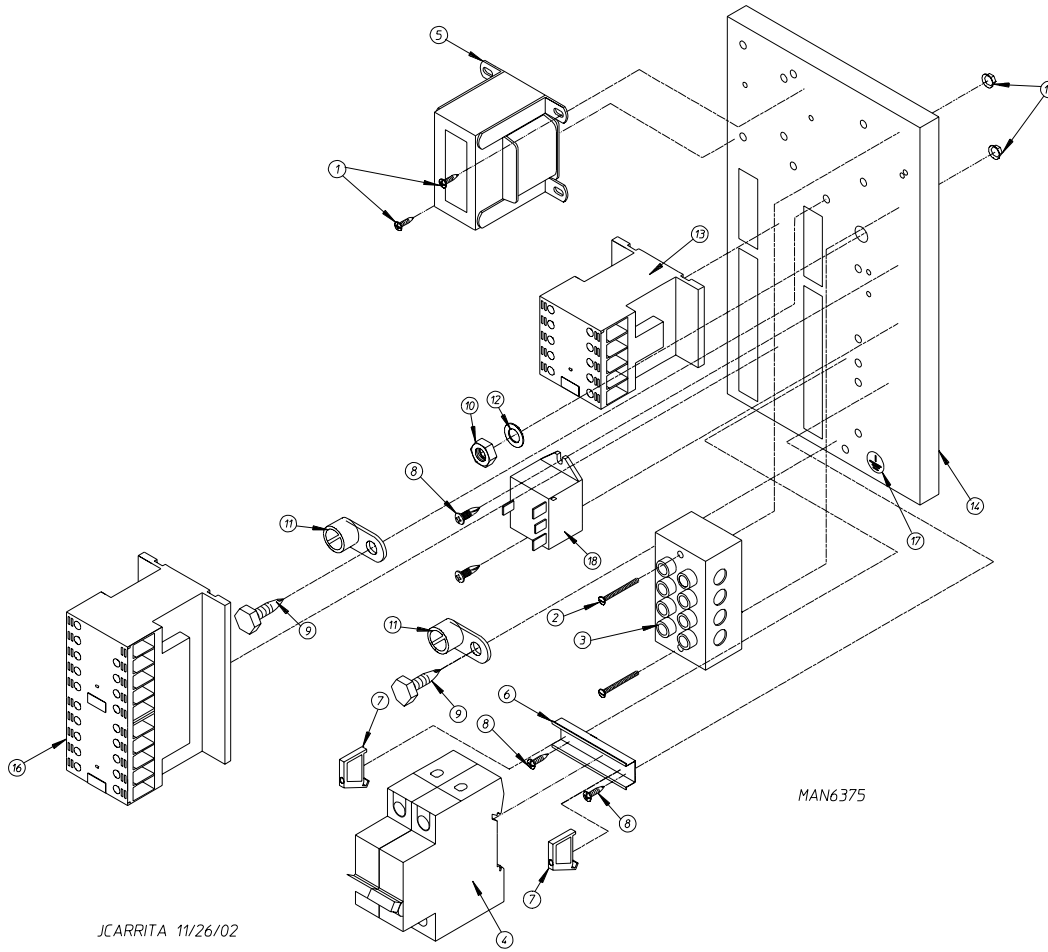
Illus. No.	Part No.	Qty.	Description
1	150300	2	#10-16 x 1/2" Hex Washer TEK Screw
2	150008	2	#6-32 x 1-1/4" Phillips Pan Head Machine Screw
3	120701	1	4-Position Terminal Block
4	135501	1	2-Pole 1-Amp Circuit Breaker
5	824221	1	Transformer Assembly – 460-480 Volt
6	120768	2	35 x 15mm Din Rail
7	120765	2	End Stop
8	150301	4	#8-18 x 7/16" Phillips Pan Head TEK Screw
9	150297	2	#10 x 1/2" Green Hex Washer TEK Screw
10	152004	1	5/16-18 Hex Nut
11	121010	2	L-70 Ground Lug
12	153002	1	5/16" Lock Washer
13	132495	1	3-Pole Contactor
14	322812	1	Rear Electric Mounting Plate ONLY
	830263	1	Rear Electric Panel Assembly Complete – 460-480 Volt (for gas models Only) (includes illus. nos. 1 through 14)
	830137	1	Rear Electric Panel Assembly Complete – 460-480 Volt (for steam models Only) (includes illus. nos. 1 through 14)
	830199	1	Rear Electric Panel Assembly Complete – 460-480 Volt (for electric models Only) (includes illus. nos. 1 through 14 and 16)
15	151000	2	#6-32 Pal Nut
16	131932	1	24V SPST Relay (for electric heated models Only)
17	112075	1	Ground Label

208-240V MP Reversing Rear Electric Relay Panel Assembly



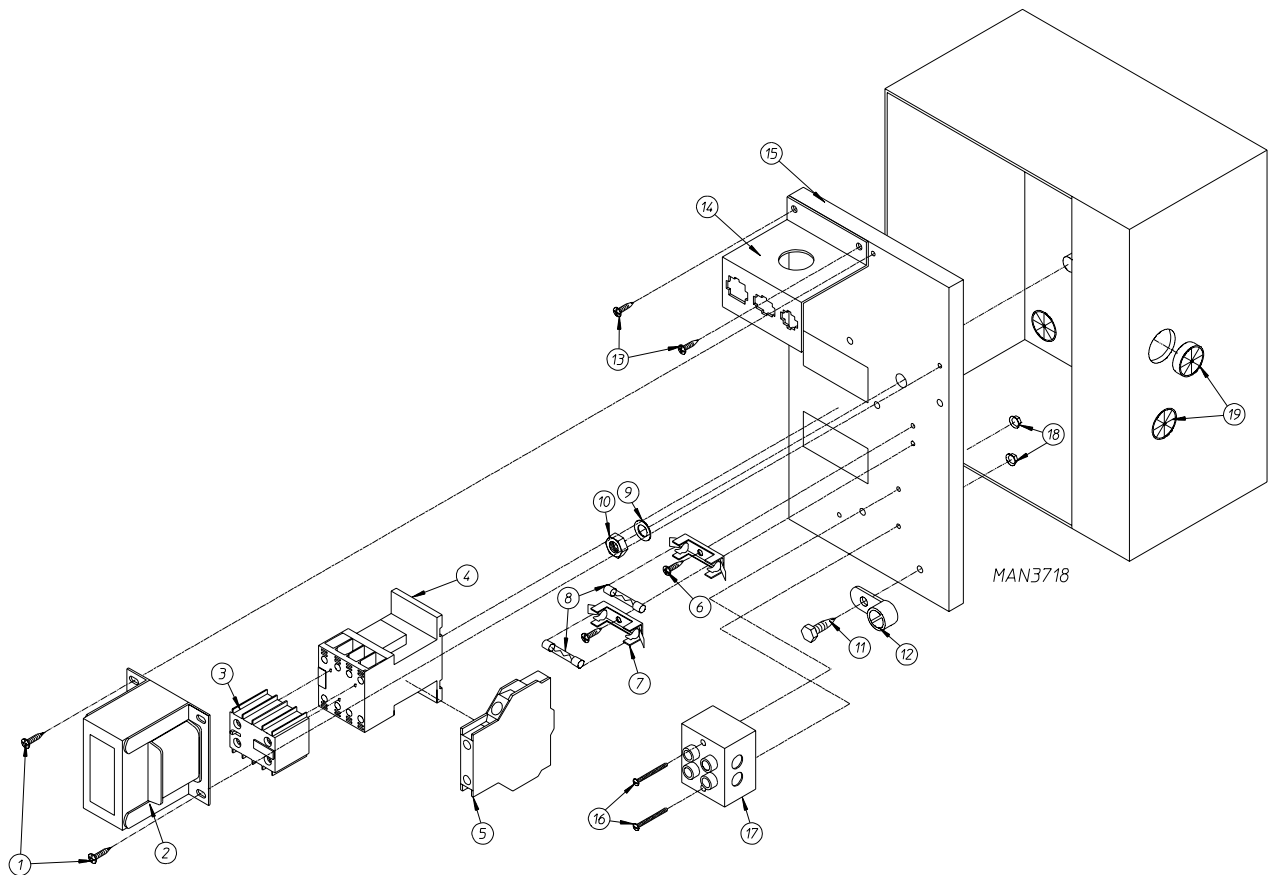
Illus. No.	Part No.	Qty.	Description
1	150300	2	#10-16 x 1/2" Hex Washer TEK Screw
2	150008	2	#6-32 x 1-1/4" Phillips Pan Head Machine Screw
3	120701	1	4-Position Terminal Block
4	132497	1	3-Pole Reversing Contactor
5	822799	1	Transformer Assembly – 208-240 Volt (for gas and steam models Only)
	822792	1	Transformer Assembly – 208-240 Volt (for electric models Only)
6	136008	2	Fuse Holder ONLY
7	136057	2	1/2-Amp (Slo-Blo) Fuse ONLY
8	150301	4	#8-18 x 7/16" Phillips Pan Head TEK Screw
9	150297	1	#10 x 1/2" Green Hex Washer TEK Screw
10	152004	1	5/16-18 Hex Nut
11	121010	1	L-70 Ground Lug
12	153002	1	5/16" Lock Washer
13	132495	1	3-Pole Contactor
14	322812	1	Rear Electric Mounting Plate ONLY
	822771	1	Rear Electric Panel Assembly Complete – 208-240 Volt 3ø (for gas models Only) (includes illus. nos. 1 through 16)
	830167	1	Rear Electric Panel Assembly Complete – 208-240 Volt 3ø (for steam models Only) (includes illus. nos. 1 through 16)
	822789	1	Rear Electric Panel Assembly Complete – 208-240 Volt 3ø (for electric models Only) (includes illus. nos. 1 through 17)
15	151000	2	#6-32 Pal Nut
16	120765	1	Standard End Bracket
17	131932	1	24V SPST Relay (for electric heated models Only)

460-480V MP Reversing Rear Electric Relay Panel Assembly



Illus. No.	Part No.	Qty.	Description
1	150300	2	#10-16 x 1/2" Hex Washer TEK Screw
2	150008	2	#6-32 x 1-1/4" Phillips Pan Head Machine Screw
3	120701	1	4-Position Terminal Block
4	135501	1	2-Pole 1-Amp Circuit Breaker
5	824221	1	Transformer Assembly – 460-480 Volt
6	120768	2	35 x 15mm Din Rail
7	120765	2	Standard End Bracket
8	150301	4	#8-18 x 7/16" Phillips Pan Head TEK Screw
9	150297	1	#10 x 1/2" Green Hex Washer TEK Screw
10	152004	1	5/16-18 Hex Nut
11	121010	1	L-70 Ground Lug
12	153002	1	5/16" Lock Washer
13	132495	1	3-Pole Contactor
14	322812	1	Rear Electric Mounting Plate ONLY
	830147	1	Rear Electric Panel Assembly Complete – 460-480 Volt (for gas models Only) (includes illus. nos. 1 through 16)
	830103	1	Rear Electric Panel Assembly Complete – 460-480 Volt (for steam models Only) (includes illus. nos. 1 through 16)
	824371	1	Rear Electric Panel Assembly Complete – 460-480 Volt (for electric models Only) (includes illus. nos. 1 through 17)
15	151000	2	#6-32 Pal Nut
16	132497	1	3-Pole Reversing Contactor
17	112075	1	Ground Label
18	131932	1	24V SPST Relay (for electric heated models Only)

Single-Phase (1Ø) Dual Timer Rear Electric Relay Panel Assembly

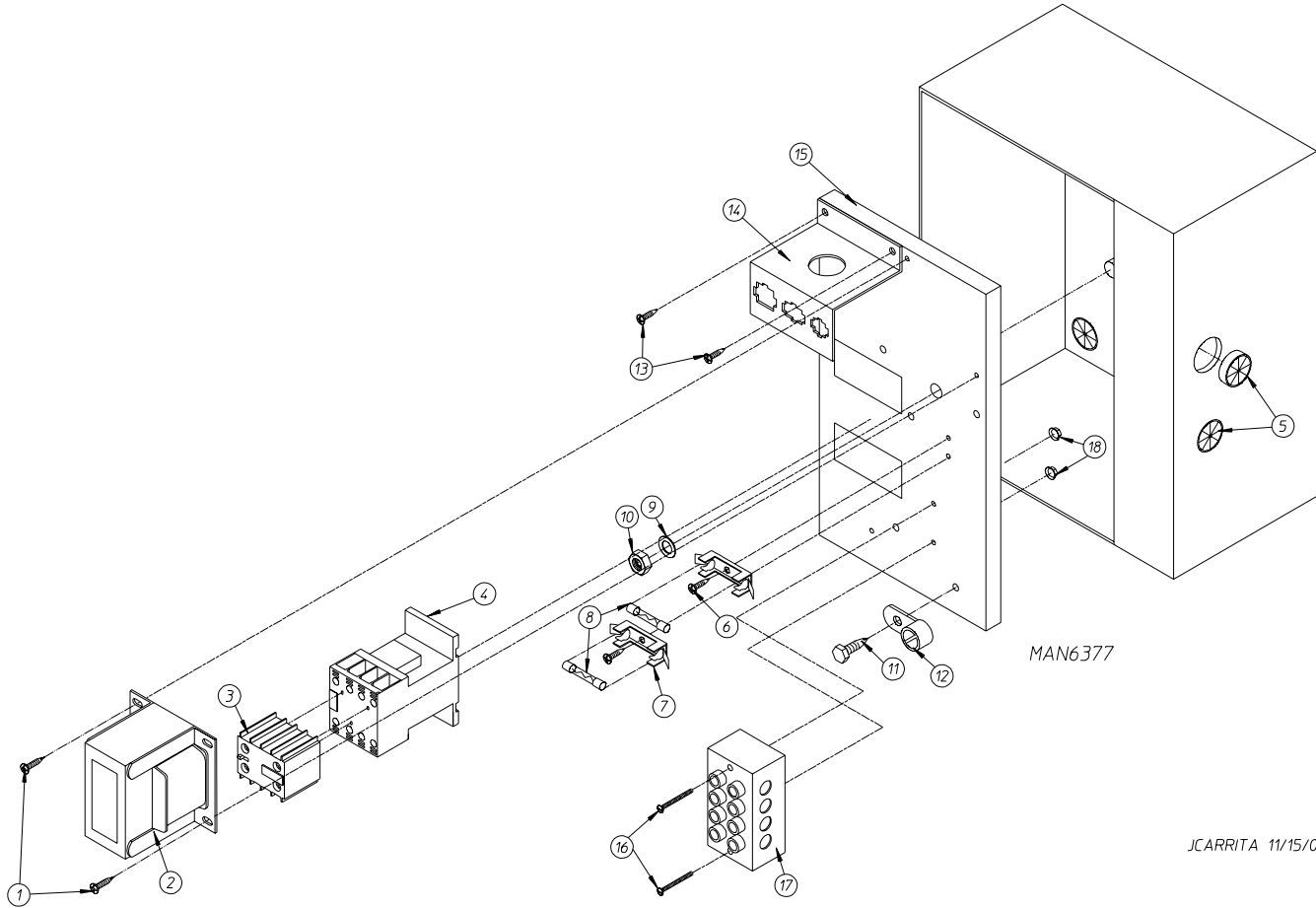


Illus. No.	Part No.	Qty.	Description
1	150300	2	#10-16 x 1/2" Hex Washer TEK Screw
2	—	1	24 VAC Transformer (refer to Step Down Transformer Usage Listing on page 48)
3	132449	1	2-Pole Contact Block (for 208-240 volt models Only)
4	132445	1	3-Pole Contactor (for 120 volt models Only)
	132447	1	3-Pole Contactor (for 208-240 volt models Only)
5	132383	1	2-Pole Contact Block (for 120 volt models Only)
6	150301	*	#8-18 x 7/16" Phillips Pan Head TEK Screw
7	136008	*	Fuse Holder ONLY
8	136057	*	1/2-Amp (Slo-Blo) Fuse
9	153002	1	5/16" Lock Washer
10	152004	1	5/16-18 Hex Nut
11	150297	1	#10 x 1/2" Hex Washer TEK Screw – Green
12	121010	1	L-70 Ground Lug
13	150300	2	#10-16 x 1/2" Hex Washer TEK Screw
14	353258	1	Rear Panel Connector Bracket
15	306304	1	Rear Electric Mounting Panel ONLY
	830245	1	Rear Electric Panel Assembly Complete – 115 Volt (includes illus. nos. 1, 2, and 4 through 18)
	826463	1	Rear Electric Panel Assembly Complete – 208-240 Volt (includes illus. nos. 1 through 4 and 6 through 18)
16	150008	2	#6-32 x 1-1/4" Phillips Round Head Machine Screw
17	120716	1	2-Position Terminal Block
18	151000	2	#6-32 Pal Nut
19	121300	3	Open / Closed Bushing

* Quantity is 1 for 115v and 2 for 208-240v.

3-Phase (3 ϕ) 208-240V Dual Timer Rear Electric Relay Panel Assembly

For Gas Models Only



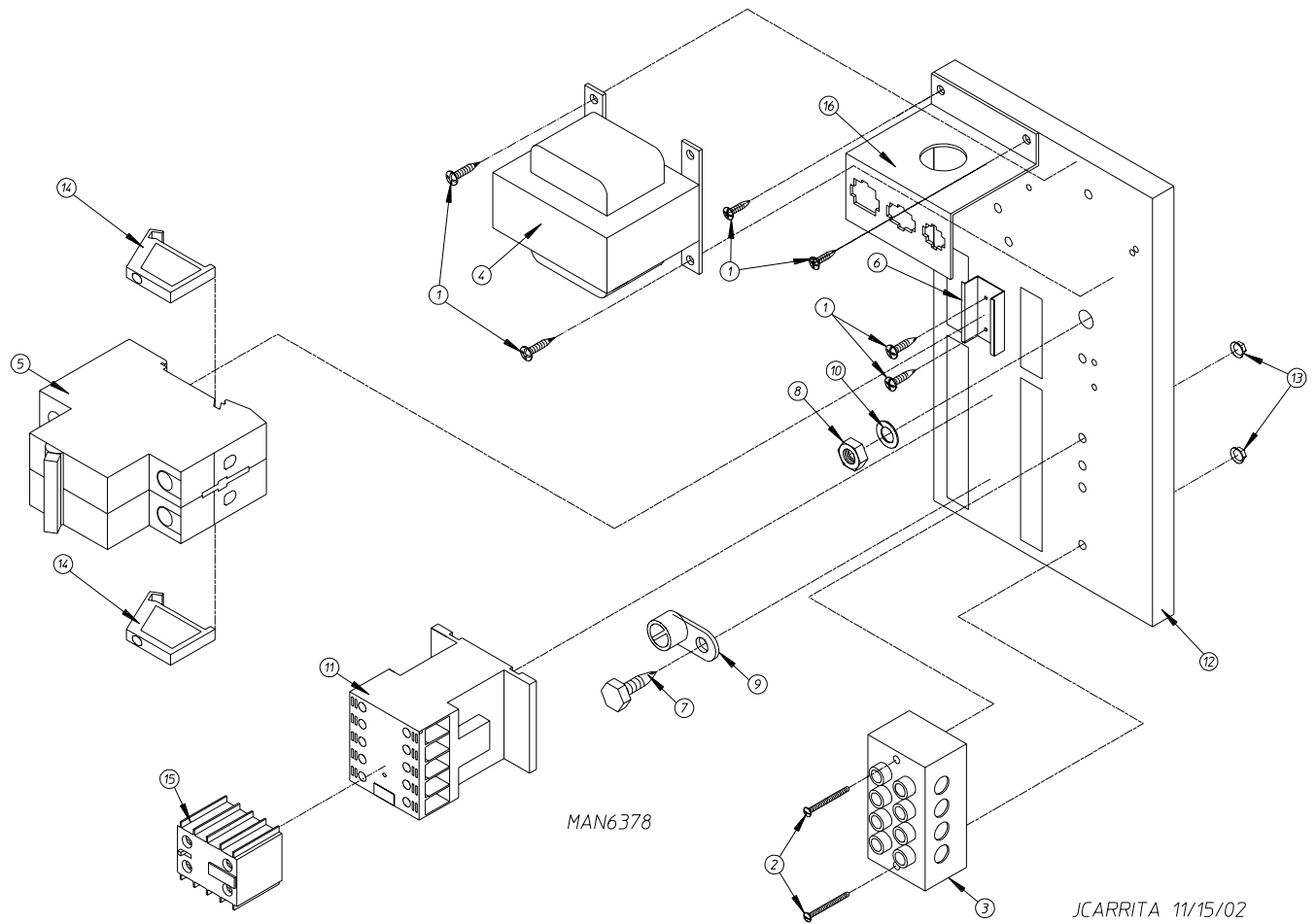
JCARRITA 11/15/02

Illus. No.	Part No.	Qty.	Description
1	150300	2	#10-16 x 1/2" Hex Washer TEK Screw
2	—	1	24 VAC Transformer (refer to Step Down Transformer Usage Listing on page 48)
3	132449	1	2-Pole Contact Block
4	132447	1	3-Pole Contactor
5	121300	3	Open / Closed Bushing
6	150301	2	#8-18 x 7/16" Phillips Pan Head TEK Screw
7	136008	2	Fuse Holder ONLY
8	136057	2	1/2-Amp (Slo-Blo) Fuse
9	153002	1	5/16" Lock Washer
10	152004	1	5/16-18 Hex Nut
11	150297	1	#10 x 1/2" Hex Washer TEK Screw – Green
12	121010	1	L-70 Ground Lug
13	150300	2	#10-16 x 1/2" Hex Washer TEK Screw
14	353258	1	Rear Panel Connector Bracket
15	306304	1	Rear Electric Mounting Panel ONLY
	—	*	Rear Electric Panel Assembly Complete
16	150008	2	#6-32 x 1-1/4" Phillips Round Head Machine Screw
17	120701	1	4-Position Terminal Block
18	151000	2	#6-32 Pal Nut

* Not available at time of printing.

460-480V Dual Timer Rear Electric Relay Panel Assembly

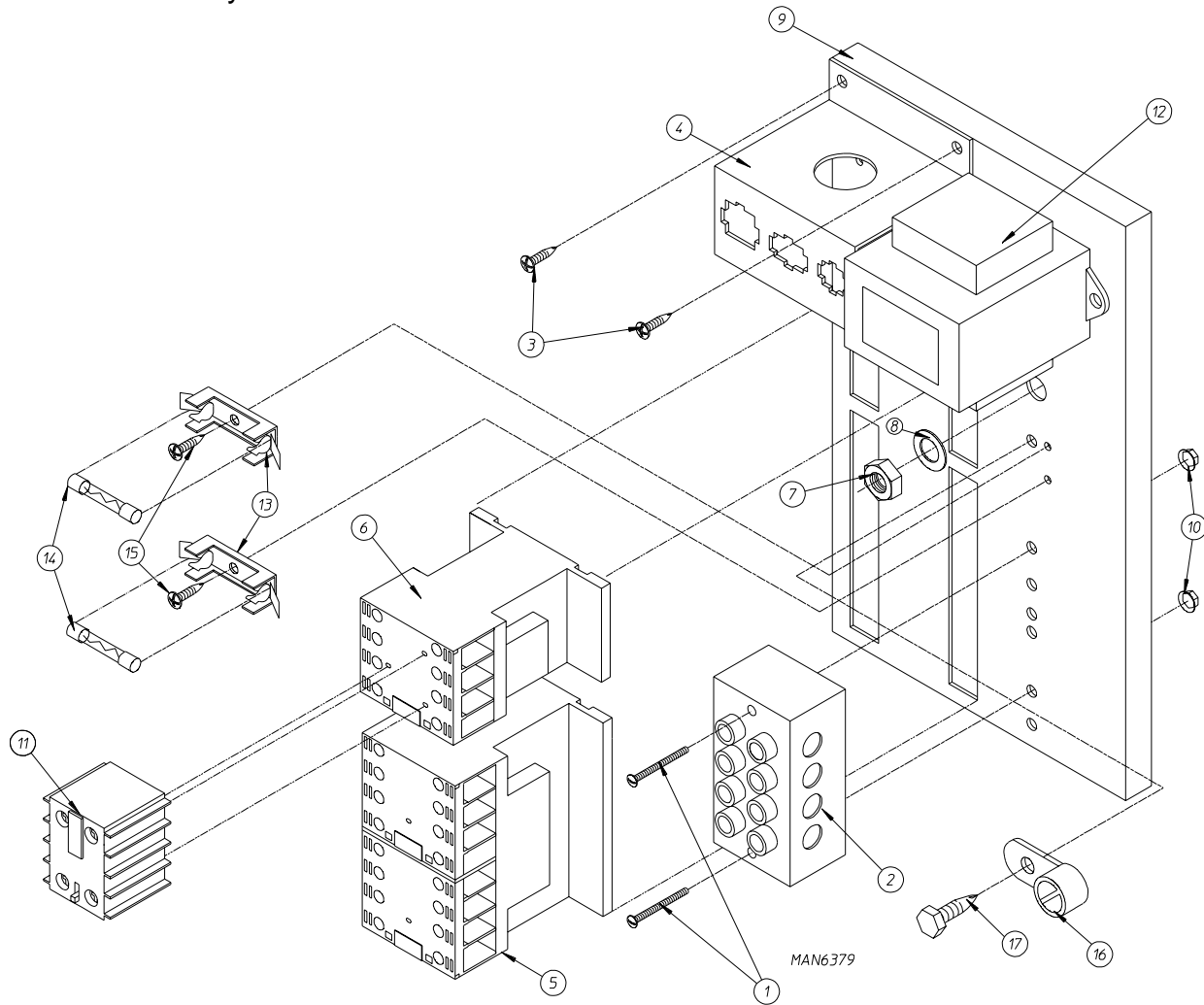
For Gas Models Only



Illus. No.	Part No.	Qty.	Description
1	150300	2	#10-16 x 1/2" Hex Washer TEK Screw
2	150008	2	#6-32 x 1-1/4" Phillips Round Head Machine Screw
3	120701	1	4-Position Terminal Block
4	—	1	24 VAC Transformer (refer to Step Down Transformer Usage Listing on page 48)
5	135501	1	1-Amp Double-Pole Circuit Breaker
6	120768	2	Din Rail (sold by the inch)
7	150297	1	#10 x 1/2" Hex Washer TEK Screw – Green
8	152004	1	5/16-18 Hex Nut
9	121010	1	L-70 Ground Lug
10	153002	1	5/16" Lock Washer
11	132447	1	3-Pole Contactor
12	322812	1	Rear Electric Mounting Panel ONLY
	824231	1	Rear Electric Panel Assembly Complete (includes illus. nos. 1 through 16)
13	151000	2	#6-32 Pal Nut
14	120765	2	Din Rail End Stop
15	132449	1	2-Pole Contact Block
16	353258	1	Rear Panel Connector Bracket

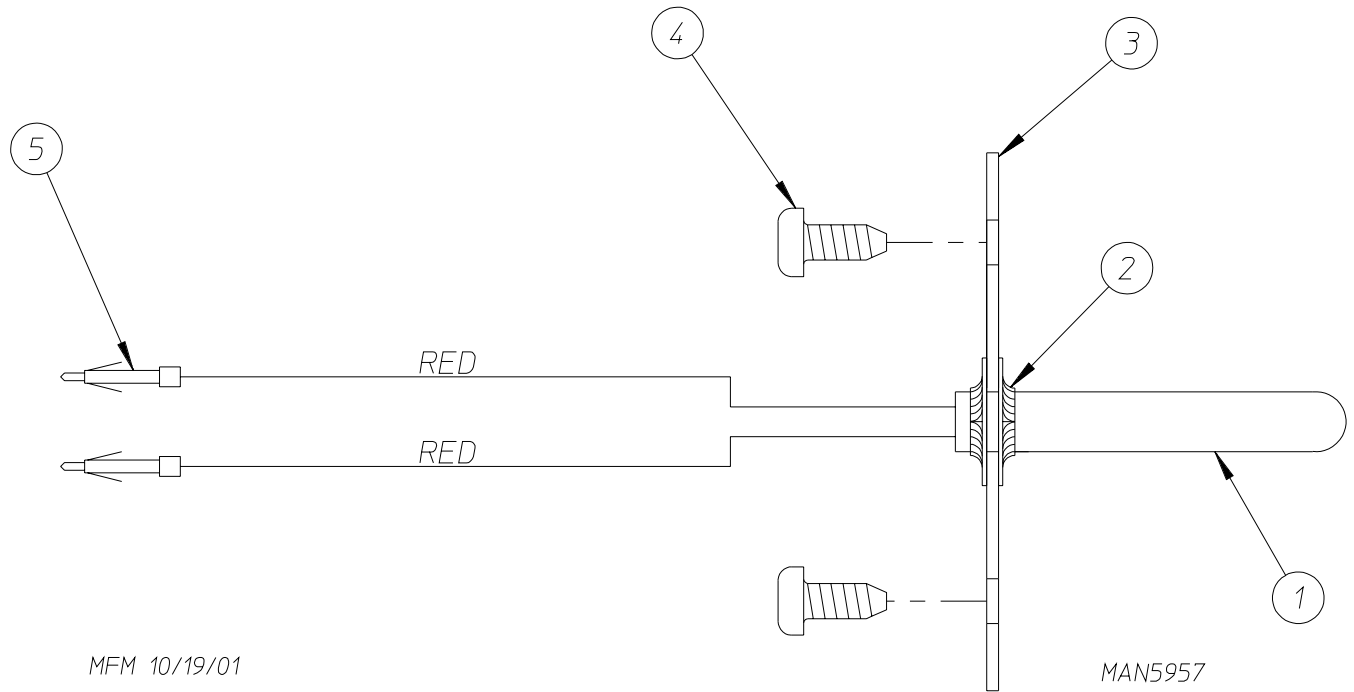
208-240V Dual Timer Reversing Rear Electric Relay Panel Assembly

For Gas Models Only



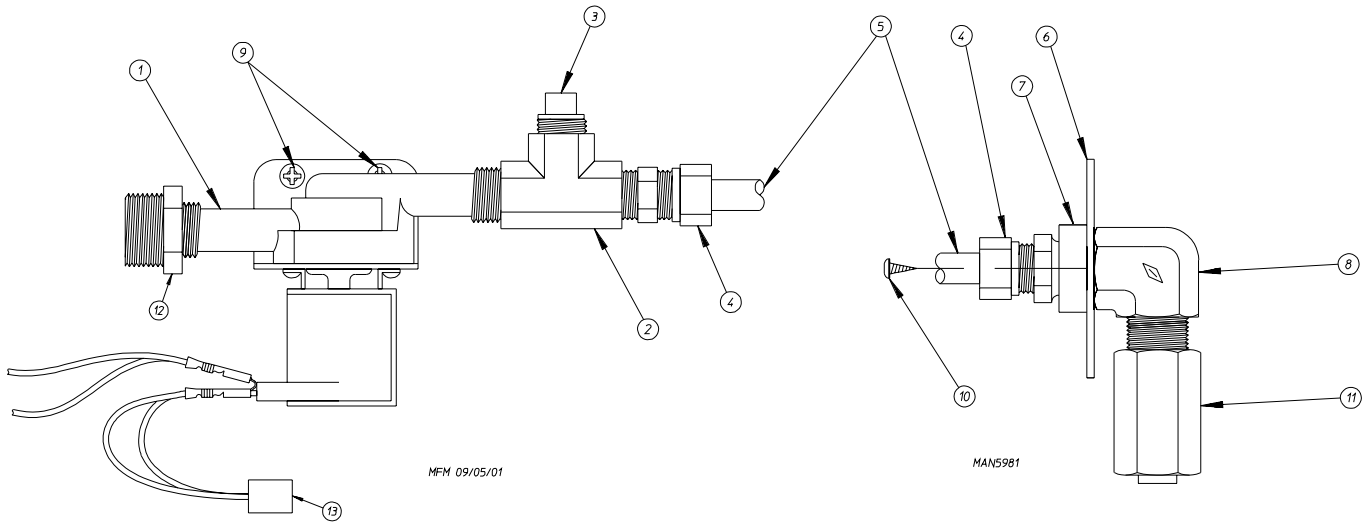
JCARRITA 11/15/02

Illus. No.	Part No.	Qty.	Description
1	150009	2	#6-32 x 1-1/2" Phillips Round Head Machine Screw
2	120701	1	4-Position Terminal Block
3	150300	2	#10-16 x 1/2" Hex Washer TEK Screw
4	353258	1	Rear Panel Connector Bracket
5	132448	1	Reversing Contactor with 24 VAC Coil
6	132447	1	Blower Motor Contactor
7	152004	1	5/16-18 Hex Nut
8	153002	1	5/16" Lock Washer
9	322812	1	Rear Electric Mounting Panel ONLY
	830236	1	Rear Electric Panel Assembly Complete (includes illus. nos. 1 through 17)
10	151000	2	#6-32 Pal Nut
11	132449	1	2-Pole Contact Block
12	—	1	24 VAC Transformer (refer to Step Down Transformer Usage Listing on page 48)
13	136008	2	Fuse Holder ONLY
14	136057	2	1/2-Amp (Slo-Blo) Fuse
15	150301	2	#8-18 x 7/16" Phillips Pan Head TEK Screw
16	121010	1	L-70 Ground Lug
17	150297	1	#10 x 1/2" Hex Washer TEK Screw – Green

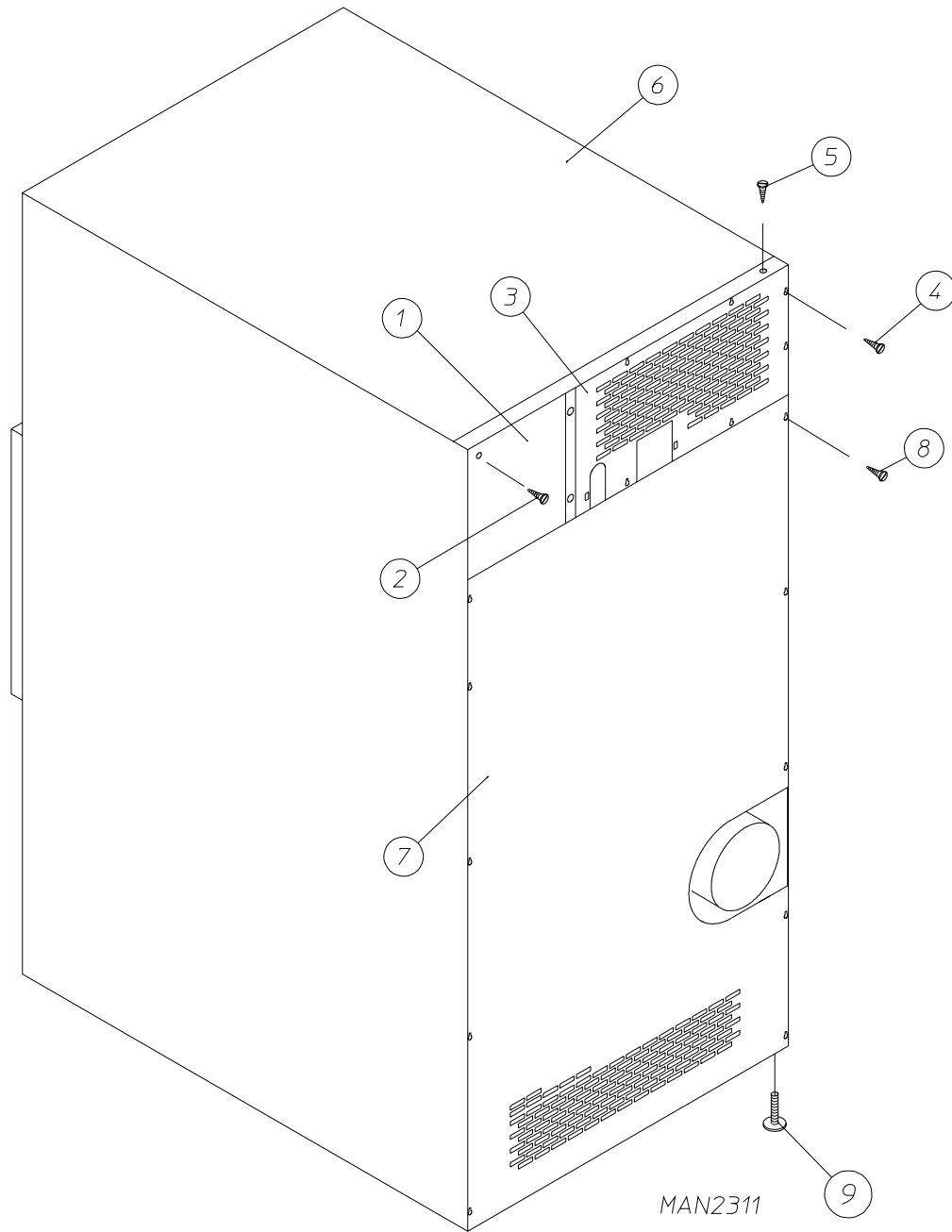


Illus. No.	Part No.	Qty.	Description
1	822752	1	Fire Suppression System Temperature Probe Assembly (includes illus. nos. 1 through 5)
2	154007	2	Push-On Fastener
3	390390	1	Sensor Bracket ONLY
4	150301	2	#8-18 x 7/16" Phillips Pan Head TEK Screw
5	122643	2	Pin
	122647	1	Connector ONLY ... Not Illustrated

F.S.S. Solenoid Assembly



Illus. No.	Part No.	Qty.	Description
1	165114	1	Fire Suppression System Solenoid Valve 24V 50/60 Hz
2	143220	1	3/8" F.P.T. Brass Tee
3	143251	1	3/8" M.P.T. Brass Plug
4	143208	2	3/8" Comp x 3/8" M.P.T. Brass Connector
5	143099	6'	3/8" OD x 0.035 Wall Copper Tubing (sold by the foot)
6	311588	1	Sprinkler Head Mounting Plate
7	143303	1	3/8" N.P.T. Brass Locknut
8	143155	1	3/8" Brass Elbow 90°
9	150430	2	#10 x 1/2" Self-Drilling Screw
10	150301	2	#8-18 x 7/16" Phillips Pan Head TEK Screw
11	143581	1	3 GPM 3/8" F.P.T. Spray Nozzle
12	142888	1	1/2" to 3/8" Bushing for Fire Suppression System Valve
13	824828	1	Arc Suppressor



<u>Illus. No.</u>	<u>Part No.</u>	<u>Qty.</u>	<u>Description</u>
1	322809	1	Back Electrical Box Cover
2	150301	4	#8-18 x 7/16" Phillips Pan Head TEK Screw
3	314414	1	Top Back Guard (no top back guard on steam models)
4	150301	7	#8-18 x 7/16" Phillips Pan Head TEK Screw
5	150301	10	#8-18 x 7/16" Phillips Pan Head TEK Screw
6	312534	1	Outer Top (no outer top on steam models)
7	314518	1	Lower Back Guard
8	150301	13	#8-18 x 7/16" Phillips Pan Head TEK Screw
9	103500	4	Leveling Leg

STEP DOWN TRANSFORMER USAGE LISTING				
VOLTAGE	WIRE SERVICE	ADC PART NO.		
		GAS	STEAM	ELECTRIC
120	2	132070	132070	———
208/240	2	132082	132082	132063
208/240	3/4	132082	132082	132063
460/480	3/4	132067	132067	132067

NOTE: Each transformer requires 1 transformer termination kit (ADC Part No. 881763).

kW	Voltage	Phase	Wire	Oven Assembly * Part No.	Element			Oven Wire with Crimp Terminal			Terminal Lug		Bus Bar Part No. 121011	Oven Relay	
					Qty.	kW	Part No.	Qty.	Size	Part No.	Qty.	Part No.		Cat. No.	Part No.
30	480	3Ø	3	826222	6	5	120013	1	#8	882572	1	121010	1	DPA43	131357
30	240	3Ø	3	833124	6	5	120013	1	#4	882566	1	121010	1	DPA73	131376

* Consult factory for oven assemblies not listed.

Additional Parts Available

<u>Part No.</u>	<u>Description</u>
112280	"Clean Lint Screen" Label
114001	"CAUTION – Exhaust Lint Screen" Label
114006	"WARNING – Fire Hazards" Label
120100	3/8" Straight (BX) Connector
120300	3/8" x 45° (BX) Connector
120400	3/8" Red Jacket (BX) Insulator
120500	3/8" Jiffy Clip (BX retainer clip)
120600	3/8" Greenfield (BX)
120800	1/4" In-Line Connector
120802	Red Butt Connector
120902	#74B Wire Nut
120903	Crimp-On Wire Nut
121014	1/4" Insulated (female) Terminal
121499	5-1/2" Harness Tie
121500	8" Harness Tie
121503	Harness Tie Mounting Clip
122804	Manometer (hydro gauge) for Measuring Gas Pressure
404502	White Brush-In-Cap Bottle Touch-Up Paint
882458	Tumbler Bearing Puller

