



# **ML-75 Parts Manual**

## **24 VAC Phase 6**

### **1997/1998**

---

**American Dryer Corporation**  
88 Currant Road  
Fall River, MA 02720-4781  
Telephone: (508) 678-9000 / Fax: (508) 678-9447  
E-mail: [techsupport@amdry.com](mailto:techsupport@amdry.com)  
[www.amdry.com](http://www.amdry.com)

# Retain This Manual In A Safe Place For Future Reference

American Dryer Corporation products embody advanced concepts in engineering, design, and safety. If this product is properly maintained, it will provide many years of safe, efficient, and trouble-free operation.

*ONLY qualified technicians should service this equipment.*

**OBSERVE ALL SAFETY PRECAUTIONS** displayed on the equipment or specified in the installation manual included with the dryer.

The following “**FOR YOUR SAFETY**” caution **must be** posted near the dryer in a prominent location.

**FOR YOUR SAFETY**

Do not store or use gasoline or other flammable vapors or liquids in the vicinity of this or any other appliance.

**POUR VOTRE SÉCURITÉ**

Ne pas entreposer ni utiliser d'essence ni d'autres vapeurs ou liquides inflammables dans le voisinage de cet appareil ou de tout autre appareil.

We have tried to make this manual as complete as possible and hope you will find it useful. **ADC** reserves the right to make changes from time to time, without notice or obligation, in prices, specifications, colors, and material, and to change or discontinue models.

## Important

For your convenience, log the following information:

**DATE OF PURCHASE** \_\_\_\_\_ **MODEL NO.**           **ML-75**          

**RESELLER'S NAME** \_\_\_\_\_

**Serial Number(s)** \_\_\_\_\_

\_\_\_\_\_

\_\_\_\_\_

Replacement parts can be obtained from your reseller or the **ADC** factory. When ordering replacement parts from the factory, you can FAX your order to **ADC** at (508) 678-9447 or telephone your order directly to the **ADC** Parts Department at (508) 678-9000. Please specify the dryer **model number** and **serial number** in addition to the **description** and **part number**, so that your order is processed accurately and promptly.

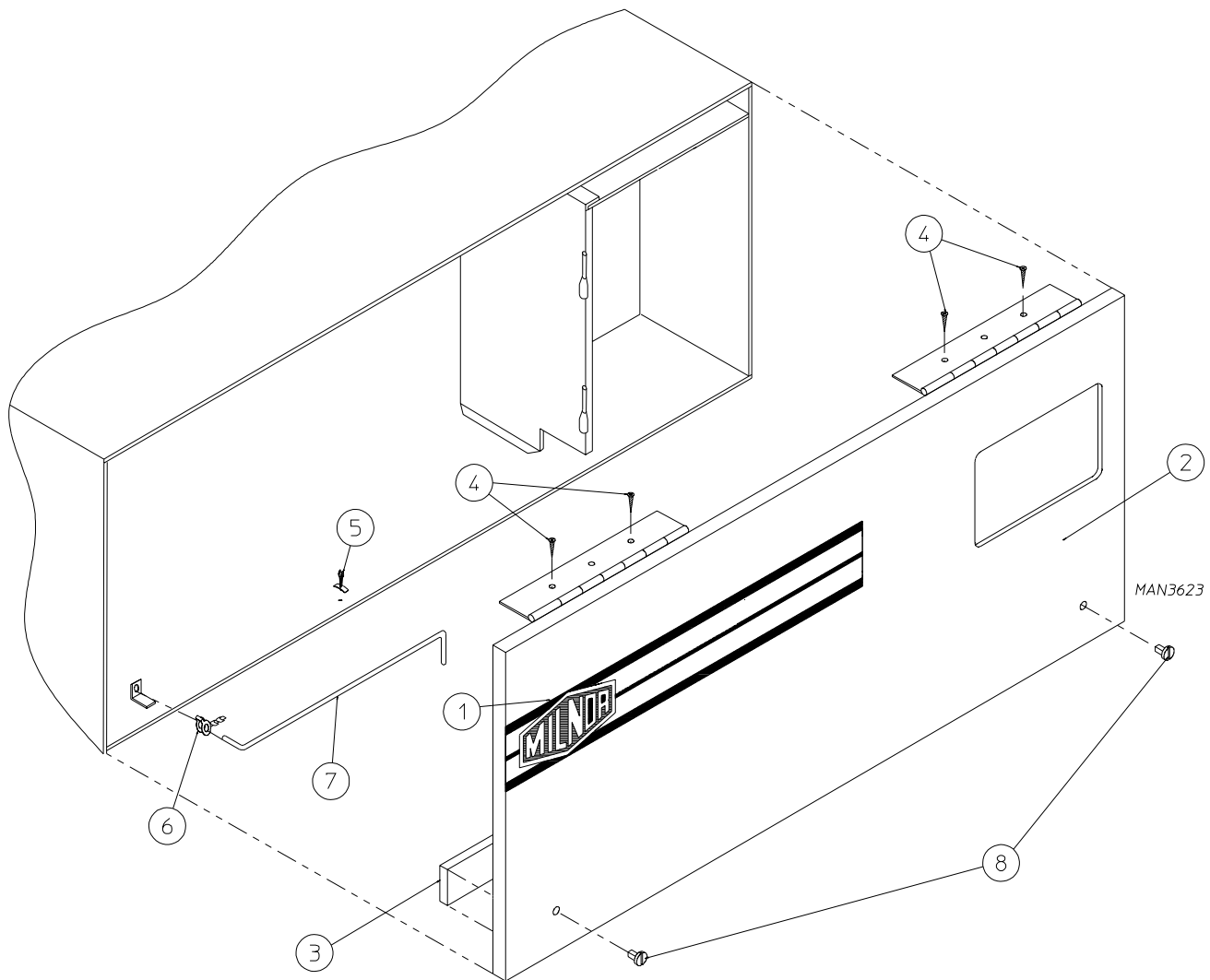
The illustrations on the following pages may not depict your particular dryer exactly. The illustrations are a composite of the various dryer models. Be sure to check the descriptions of the parts thoroughly before ordering.

**“IMPORTANT NOTE TO PURCHASER”**

Information **must be** obtained from your local gas supplier on the instructions to be followed if the user smells gas. These instructions **must be** posted in a prominent location near the dryer.

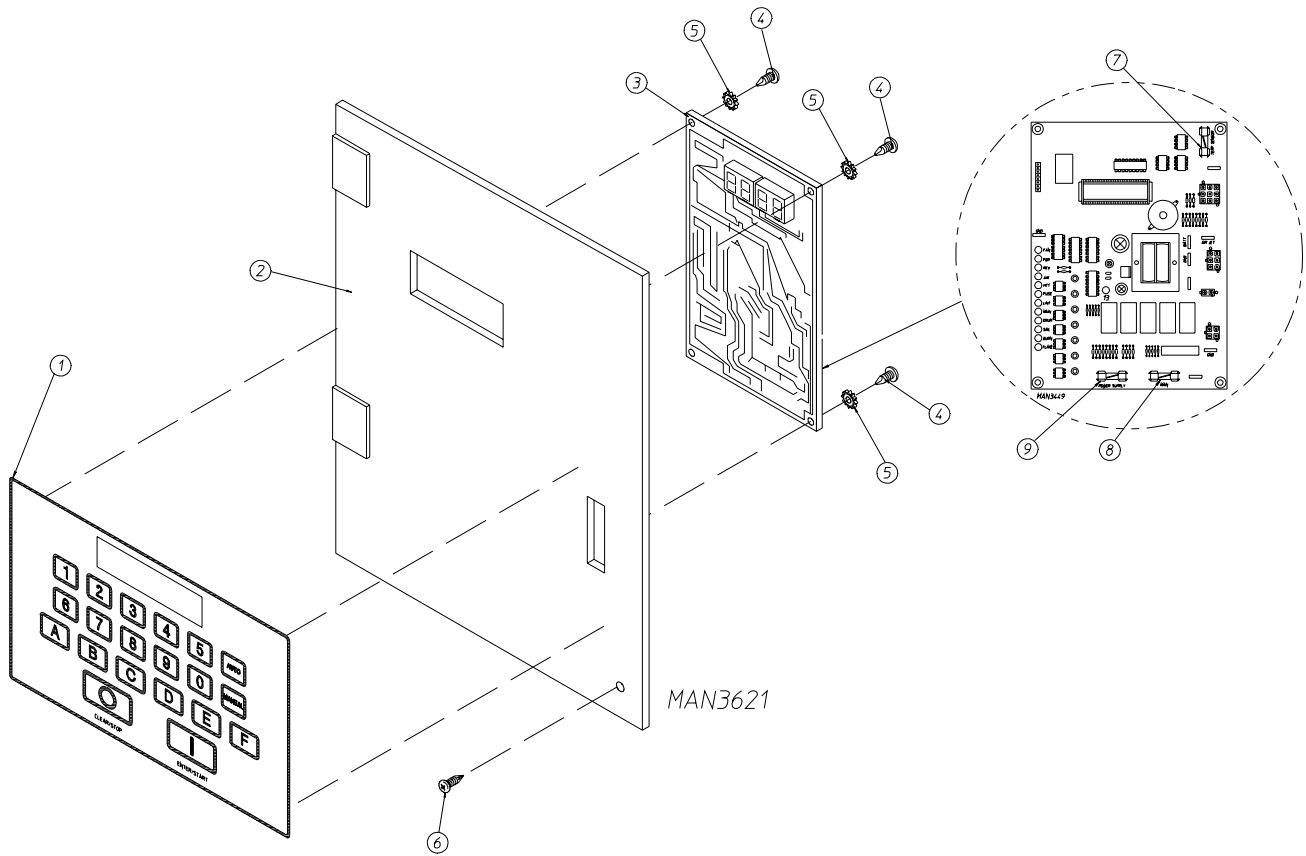
# ***Table of Contents***

Control Door Assembly .....	2
Phase 6 OPL Microprocessor Control Panel Assembly .....	3
Microprocessor Control Box Assembly .....	4, 5
Front Panel/Main Door Assemblies	
For Models Mfd. as of October 24, 1997 .....	6, 7
Front Panel/Main Door Assemblies	
For Models Mfd. prior to October 24, 1997 .....	8
Main Door Switch	
For Models Mfd. as of October 24, 1997 .....	9
Main Door Switch	
For Models Mfd. prior to October 24, 1997 .....	10
Drop Lint Door Assembly .....	11
Lint Trap Assembly	
For Gas and Electric Models with 8" Exhaust .....	12
Lint Trap Assembly	
For Steam Models with 10" Exhaust .....	13
Basket (Tumbler)/Support Assemblies .....	14
Microprocessor Sensor Bracket Assembly .....	15
Tumbler Bearing Assembly .....	16, 17
Idler Bearing Assembly .....	18, 19
Non-Reversing T.E.F.C. Motor Mount Assembly .....	20, 21
Reversing T.E.F.C. Motor Mount Assembly .....	22, 23
Direct Spark Ignition (DSI) Burner Assembly .....	24, 25
Hot Surface Ignition (HSI) Burner Assembly .....	26, 27
Electric Oven Assembly .....	28, 29
Air Operated Steam Damper Assembly .....	30, 31
Single-Phase (1 $\phi$ ) Motor, Electric Relay Panel Assembly .....	32, 33
3-Phase (3 $\phi$ ) Motor, Non-Reversing Electric Relay Panel Assembly .....	34, 35
3-Phase (3 $\phi$ ) Motor, Reversing Electric Relay Panel Assembly .....	36, 37
Sail Switch Assembly .....	38
Back Guard Assemblies	
For Gas and Electric Models ONLY .....	39
Back Guard Assembly	
For Steam Models ONLY .....	40
Electric Oven Component Application Chart .....	41
Step Down Transformer Usage Listing .....	42
Additional Parts Available .....	43

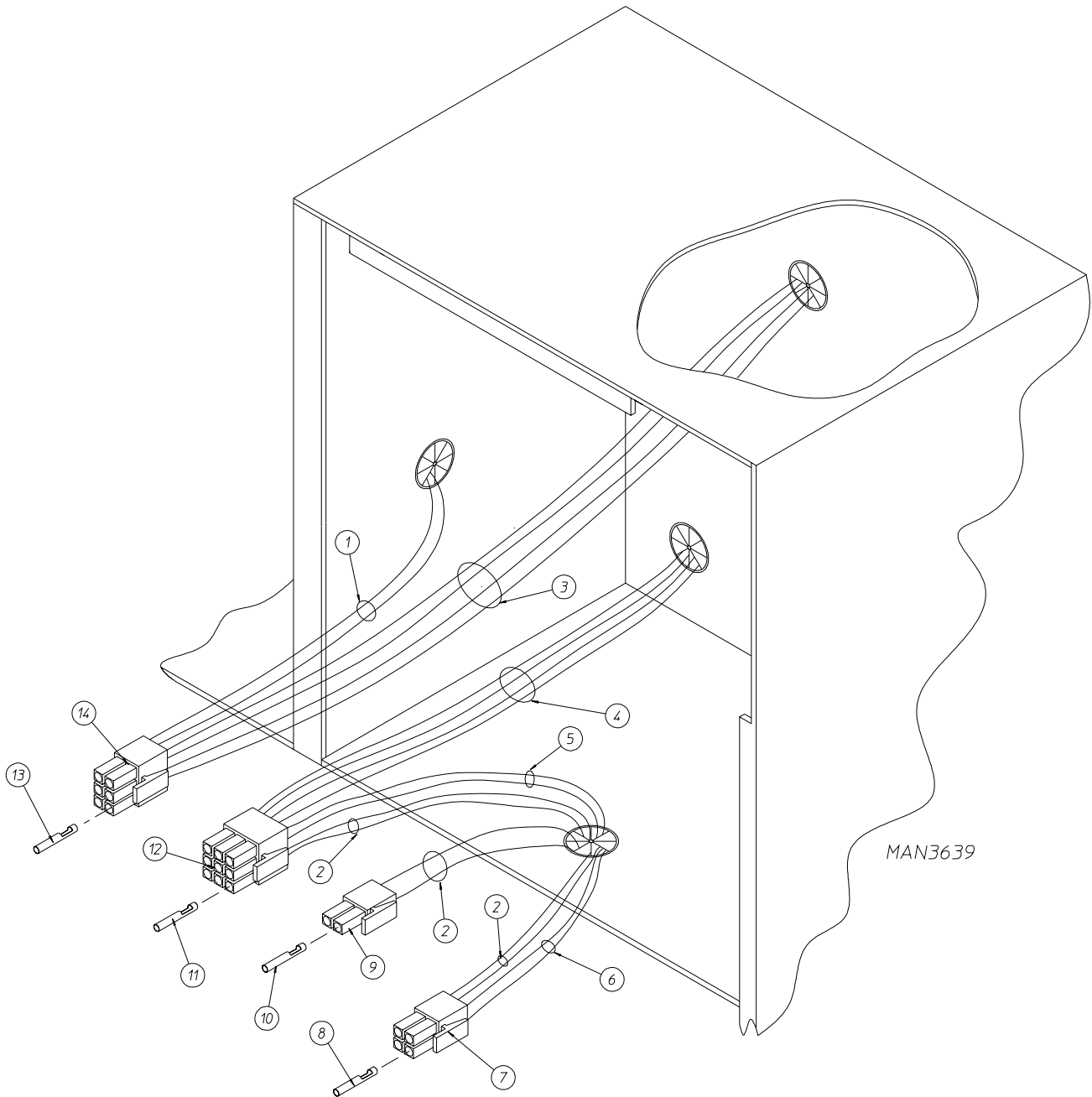


<u>Illus. No.</u>	<u>Part No.</u>	<u>Qty.</u>	<u>Description</u>
1	112366	1	Logo ONLY
2*	881691	1	Control Door Assembly (includes illus. nos. 2, 3, 7, and 8) For Models Mfd. as of October 24, 1997
	881045	1	Control Door Assembly (includes illus. nos. 2, 3, 7, and 8) For Models Mfd. prior to October 24, 1997
3	117600	4	Noise Suppression Tape (sold by the foot)
4	150309	4	#10-16 x 1/2" Hex Head TEK Crimptite Screw
5	102603	1	Control Door Rod Support Catch
6	102601	1	Control Door Rod Retainer Clip
7	102502	1	Control Door Support Rod
8	882541	2	Spring Turn Latch (2-piece)

\* Specify color when ordering.

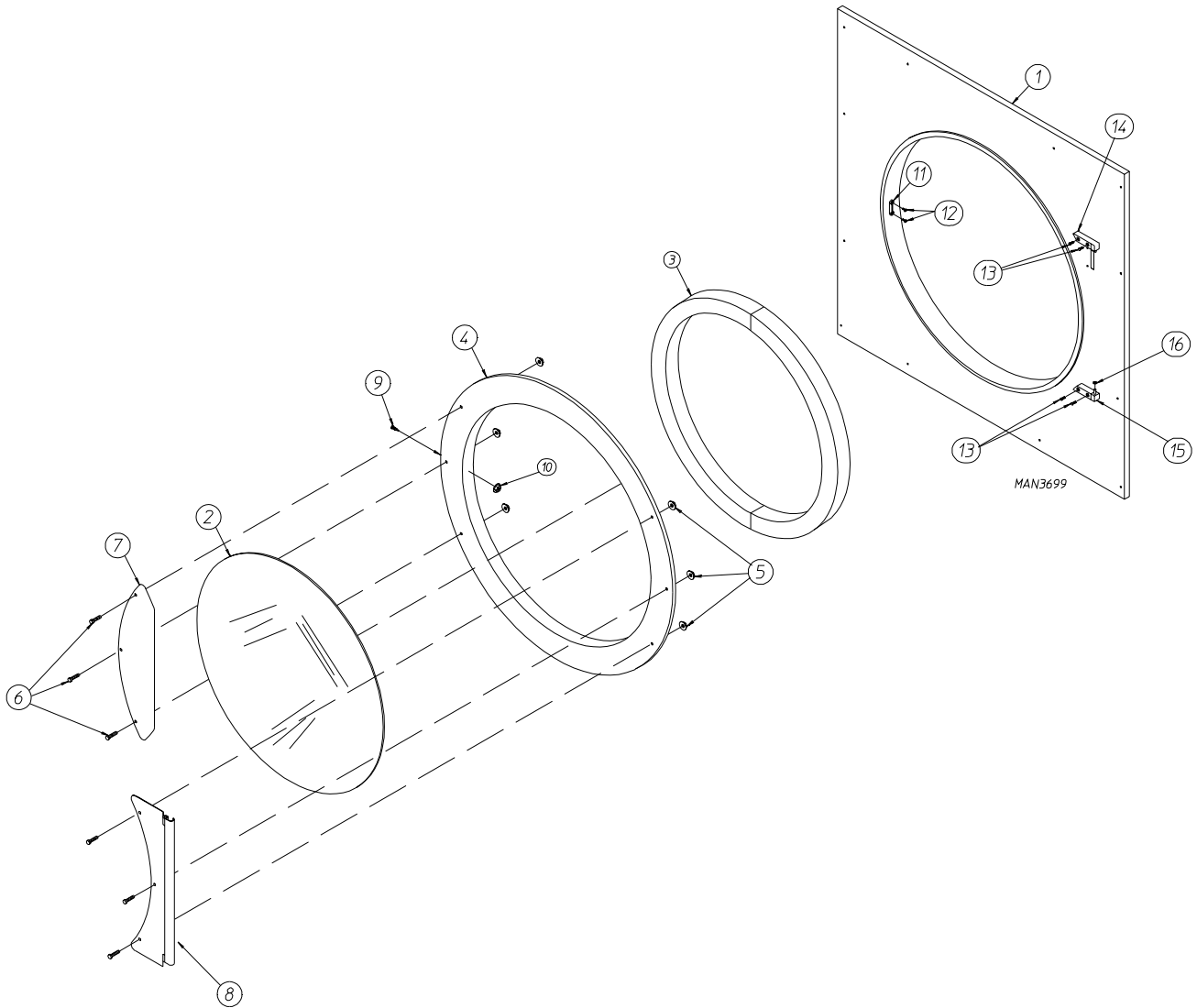


Illus. No.	Part No.	Qty.	Description
1	112537	1	Phase 6 OPL Keyboard
	112276	1	OPL Stick-on Labels (English Only) ... Not Illustrated
	112275	1	OPL Stick-On Labels (Spanish, Italian, and Hebrew) ... Not Illustrated
	112277	1	3 Language OPL Stick-On Labels (ENGLISH, SPANISH, and HEBREW) ... Not Illustrated
	112278	1	5 Language OPL Stick-On Labels (ITALIAN, Dutch, French, German, and Chinese) ... Not Illustrated
2	881745	1	Phase 6 Microprocessor Controller (computer) Panel ONLY
	881747	1	Phase 6 OPL Non-Reversing Computer Panel Assembly Complete (includes illus. nos. 1 through 5 and 7 through 9)
	881746	1	Phase 6 OPL Reversing Computer Panel Assembly Complete (includes illus. nos. 1 through 5 and 7 through 9)
3	137123	1	Phase 6 OPL Non-Reversing Microprocessor Controller ONLY
	137122	1	Phase 6 OPL Reversing Microprocessor Controller ONLY
4	150005	2	#6-32 x 3/4" Phillips Round Head Machine Screw
5	153010	2	#6 Star Washer
6	150309	1	#10-32 x 1/2" Hex Head TEK Crimptite Screw
7	136048	1	1/8-Amp (slo blo) Fuse
8	136017	1	3.15-Amp (fast acting) Fuse
9	136019	1	1-Amp (fast acting) Fuse



---

<u>Illus. No.</u>	<u>Part No.</u>	<u>Qty.</u>	<u>Description</u>
1	881790	1	Burner Control Wiring
2	881789	1	Basket (tumbler) Hi-Limit Temperature Sensor Harness
3	881637	1	Sail Switch Hi-Limit Harness
4	881788	1	Power Control Harness (for non-reversing gas models Only)
	881787	1	Power Control Harness (for reversing gas models Only)
	881786	1	Power Control Harness (for reversing steam models Only)
5	881785	1	Door Switch Harness
6	824993	1	Rotational Sensor Harness (front wiring box to rear wiring box)
	824994	1	Rotational Sensor Harness (rear wiring box to sensor)
7	122648	1	4-Pin Connector
8	122706	4	Socket Terminal ONLY
9	122646	1	2-Pin Connector
10	122706	2	Socket Terminal ONLY
11	122706	9	Socket Terminal ONLY
12	122640	1	9-Pin Connector
13	122706	6	Socket Terminal ONLY
14	122644	1	6-Pin Terminal



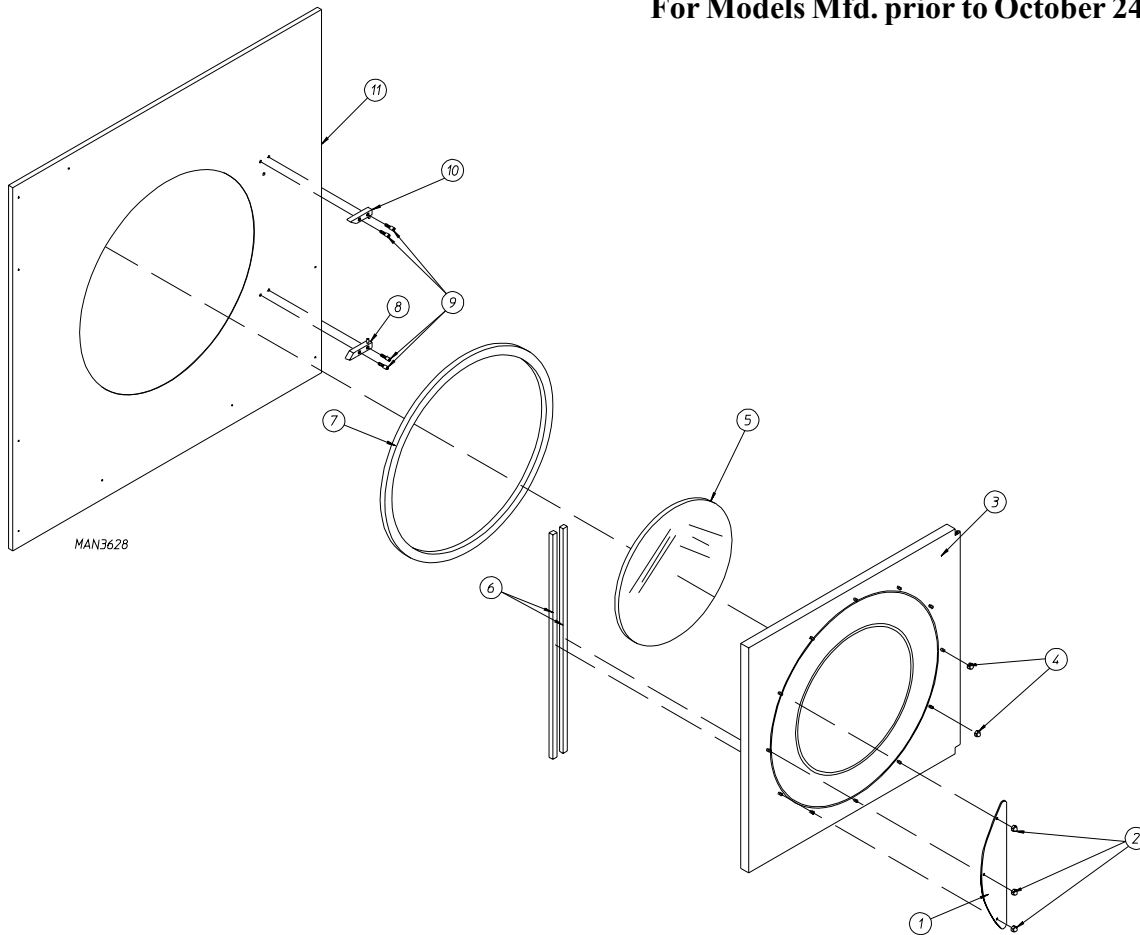


---

**For Models Mfd. as of October 24, 1997**

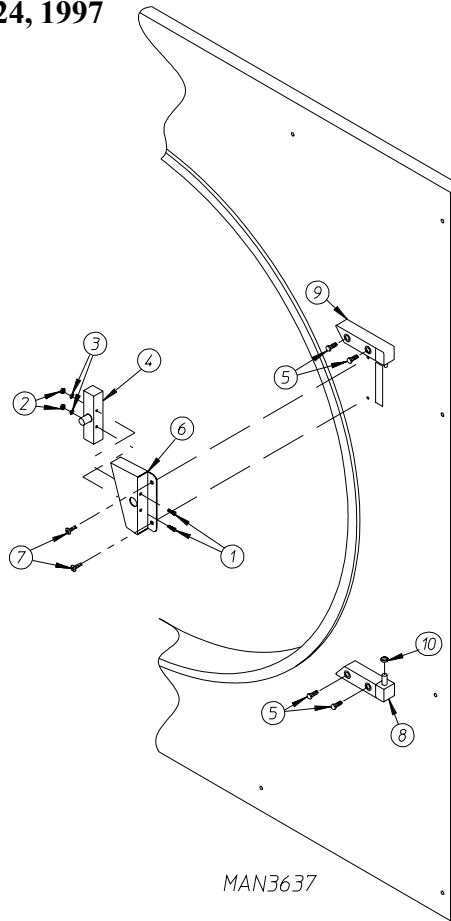
<u>Illus. No.</u>	<u>Part No.</u>	<u>Qty.</u>	<u>Description</u>
1	881871	1	Front Panel Assembly (white) (includes illus. nos. 1, 11, and 12)
	881697	1	Front Panel Assembly (blue) (includes illus. nos. 1, 11, and 12)
2	102214	1	29-7/8" Door Glass
	170730	1	Door Glass Adhesive (10.3 oz. cartridge)
3	882411	1	Main Door Extruded Gasket (104")
	170730	1	Door Gasket Adhesive (10.3 oz. cartridge)
4	881689	1	White Main Door Assembly Complete (includes illus. nos. 2 through 10)
	881738	1	Blue Main Door Assembly Complete (includes illus. nos. 2 through 10)
	881684	1	White Main Door Ring
5	881756	1	Blue Main Door Ring
	881806	6	1/4-20 Free Spin Wash Nut (white)
6	881807	6	1/4-20 Free Spin Wash Nut (blue)
	881740	6	1/4-20 x 5/8" (white) Carriage Bolt
7	881739	6	1/4-20 x 5/8" (blue) Carriage Bolt
	881688	1	White CRS Main Door Handle
8	881737	1	Blue CRS Main Door Handle
	881685	1	White Main Door Hinge
9	881757	1	Blue Main Door Hinge
	150120	1	Main Door Latch Screw
10	151012	1	#10-32 White Acorn Nut
	151014	1	#10-32 Blue Acorn Nut
11	170330	1	Friction Door Catch
12	154215	2	5/32" Pop Rivet
13	150443	4	1/4-20 x 3/4" Stainless Steel Cap Screw
	881440	1	White Top Hinge Block (includes illus. nos. 13 and 14)
14	881736	1	Blue Top Hinge Block (includes illus. nos. 13 and 14)
	881441	1	White Bottom Hinge Block (includes illus. nos. 13, 15, and 16)
15	881735	1	Blue Bottom Hinge Block (includes illus. nos. 13, 15, and 16)
	153031	1	Nylon Washer

For Models Mfd. prior to October 24, 1997



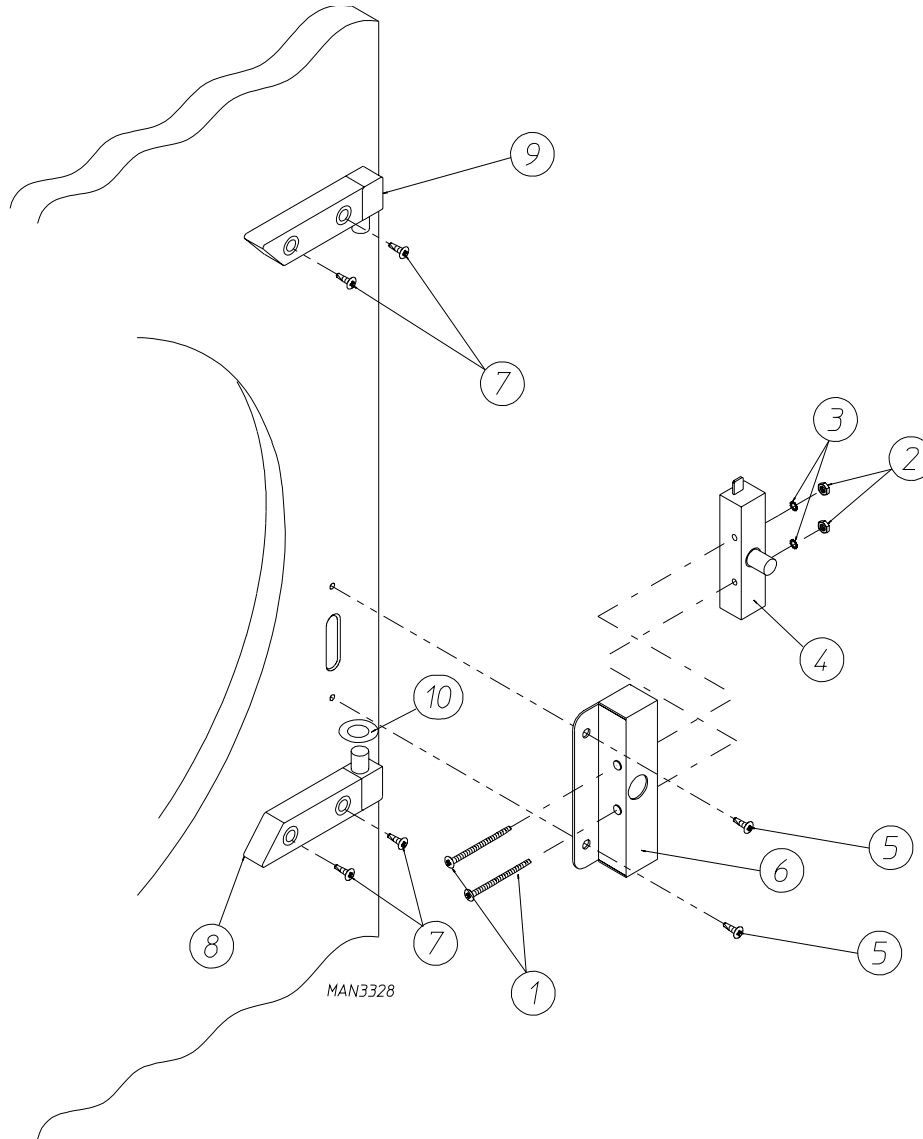
Illus. No.	Part No.	Qty.	Description
1	881741	1	White Main Door Handle
	881760	1	Blue Main Door Handle
2	151011	3	5/16-18 Acorn Nut
3	881552	1	White Main Door ONLY
	881550	1	Blue Main Door ONLY
	881816	1	White Main Door Assembly (includes illus. nos. 1 through 7)
	881820	1	Blue Main Door Assembly (includes illus. nos. 1 through 7)
4	151011	9	5/16-18 Acorn Nut
5	102210	1	20-7/16" Door Glass
	170730	1	Door Glass Adhesive (10.3 oz. cartridge)
6	102112	2	Door Magnet (5/16" x 1/4" x 34-3/4")
7	102356	1	Main Door Gasket (13-1/6" x 1-3/8" x 97-1/2")
8	881441	1	White Bottom Hinge Block with Stainless Steel Cap Screw
	881735	1	Blue Bottom Hinge Block with Stainless Steel Cap Screw
9	150443	4	1/4-20 x 3/4" Stainless Steel Cap Screw
10	881440	1	White Top Hinge Block with Stainless Steel Cap Screw
	881736	1	Blue Top Hinge Block with Stainless Steel Cap Screw
11	881799	1	White Front Panel Assembly
	881920	1	Blue Front Panel Assembly

For Models Mfd. as of October 24, 1997

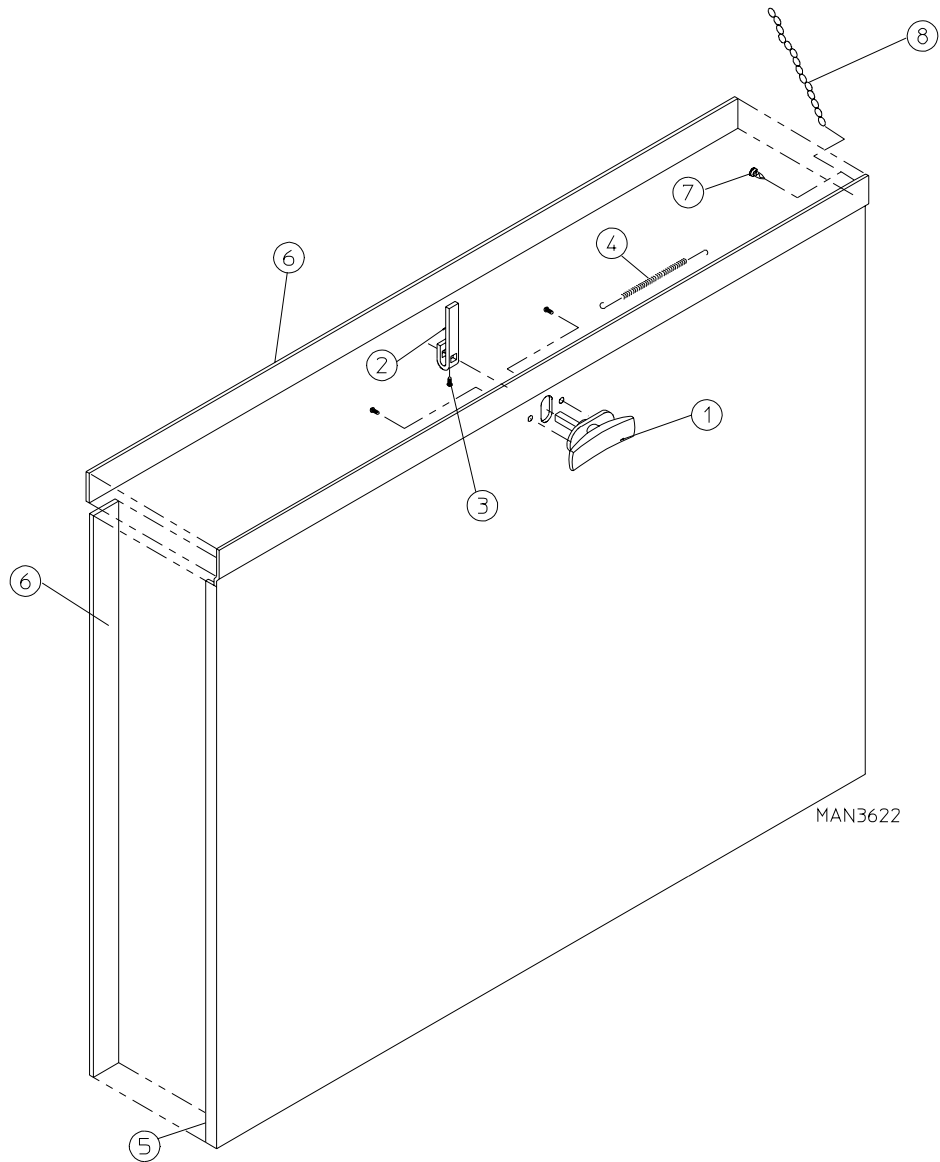


<u>Illus. No.</u>	<u>Part No.</u>	<u>Qty.</u>	<u>Description</u>
1	150006	2	#6-32 x 7/8" Phillips Pan Head Machine Screw
2	152013	2	#6-32 Hex Nut 1/4" ATF
3	153010	2	#6 Star Washer
4	137005	1	Single Pole Door Switch
5	150443	4	1/4-20 x 3/4" Stainless Steel Cap Screw
6	881687	1	White Main Door Switch Housing ONLY
	881695	1	Blue Main Door Switch Housing ONLY
	881702	1	White Main Door Switch with Housing Assembly (includes illus. nos. 1 through 4 and 6)
	881700	1	Blue Main Door Switch with Housing Assembly (includes illus. nos. 1 through 4 and 6)
7	150301	2	#8-18 x 7/16" Phillips Pan Head TEK Screw
8	881441	1	White Bottom Hinge Block (includes illus. nos. 5, 8, and 10)
	881735	1	Blue Bottom Hinge Block (includes illus. nos. 5, 8, and 10)
9	881440	1	White Top Hinge Block (includes illus. nos. 5 and 9)
	881736	1	Blue Top Hinge Block (includes illus. nos. 5 and 9)
10	153031	1	Nylon Washer

For Models Mfd. prior to October 24, 1997



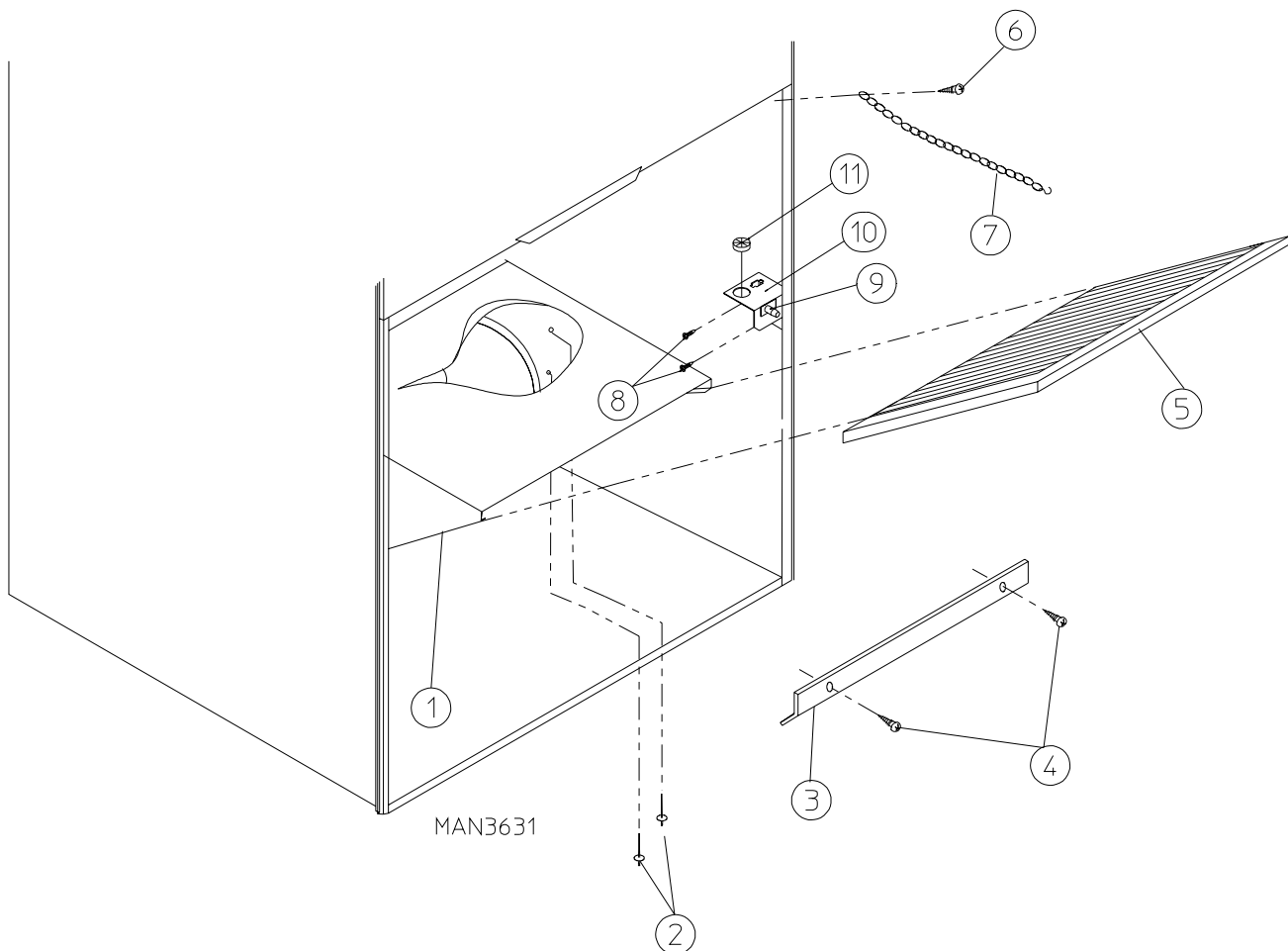
<u>Illus. No.</u>	<u>Part No.</u>	<u>Qty.</u>	<u>Description</u>
1	150006	2	#6-32 x 7/8" Phillips Pan Head Machine Screw
2	152013	2	#6-32 Hex Nut 1/4" ATF
3	153010	2	#6 Star Washer
4	137005	1	Single Pole Door Switch
5	150301	2	#8-18 x 7/16" Phillips Pan Head TEK Screw
6	881726	1	White Main Door Switch Housing ONLY
	881698	1	White Main Door Switch with Housing Assembly (includes illus. nos. 1 through 4 and 6)
7	150443	4	1/4-20 x 3/4" Stainless Steel Cap Screw
8	881441	1	White Bottom Hinge Block (includes illus. nos. 7, 8, and 10)
9	881440	1	White Top Hinge Block (includes illus. nos. 7 and 9)
10	153031	1	Nylon Washer



<u>Illus. No.</u>	<u>Part No.</u>	<u>Qty.</u>	<u>Description</u>
1	800150	1	Knob Latch Kit Assembly (includes illus. nos. 1 through 3)
2	160009	1	Knob Latch Adjustable Cam ONLY
3	150425	1	#12-24 x 3/8" Round Head Machine Screw ONLY (screw for knob latch adjustable cam)
4	157000	1	Drop Lint Door Spring
5*	881692	1	Insulated Drop Lint Door Assembly (includes illus. nos. 5 and 6)
6	117600	7	Noise Suppressor Tape (sold by the foot)
7	150419	2	#6 x 1/2" Tamperproof TEK Screw
	150418	1	Tamperproof Screw Hand Driver
8	108120	1	Chain for Drop Lint Door (10-1/2" length)

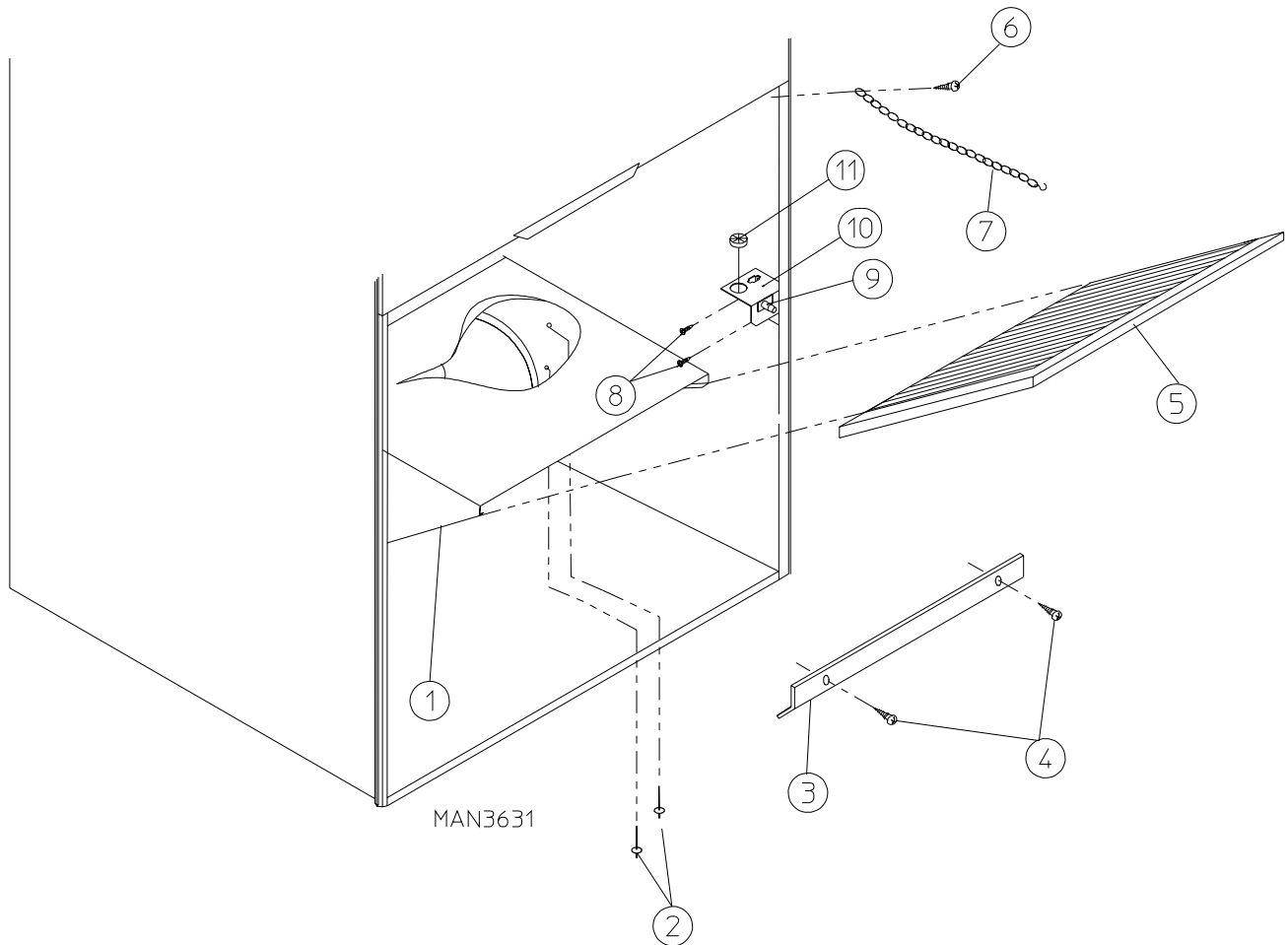
\* Specify color when ordering.

For Gas and Electric Models with 8" Exhaust

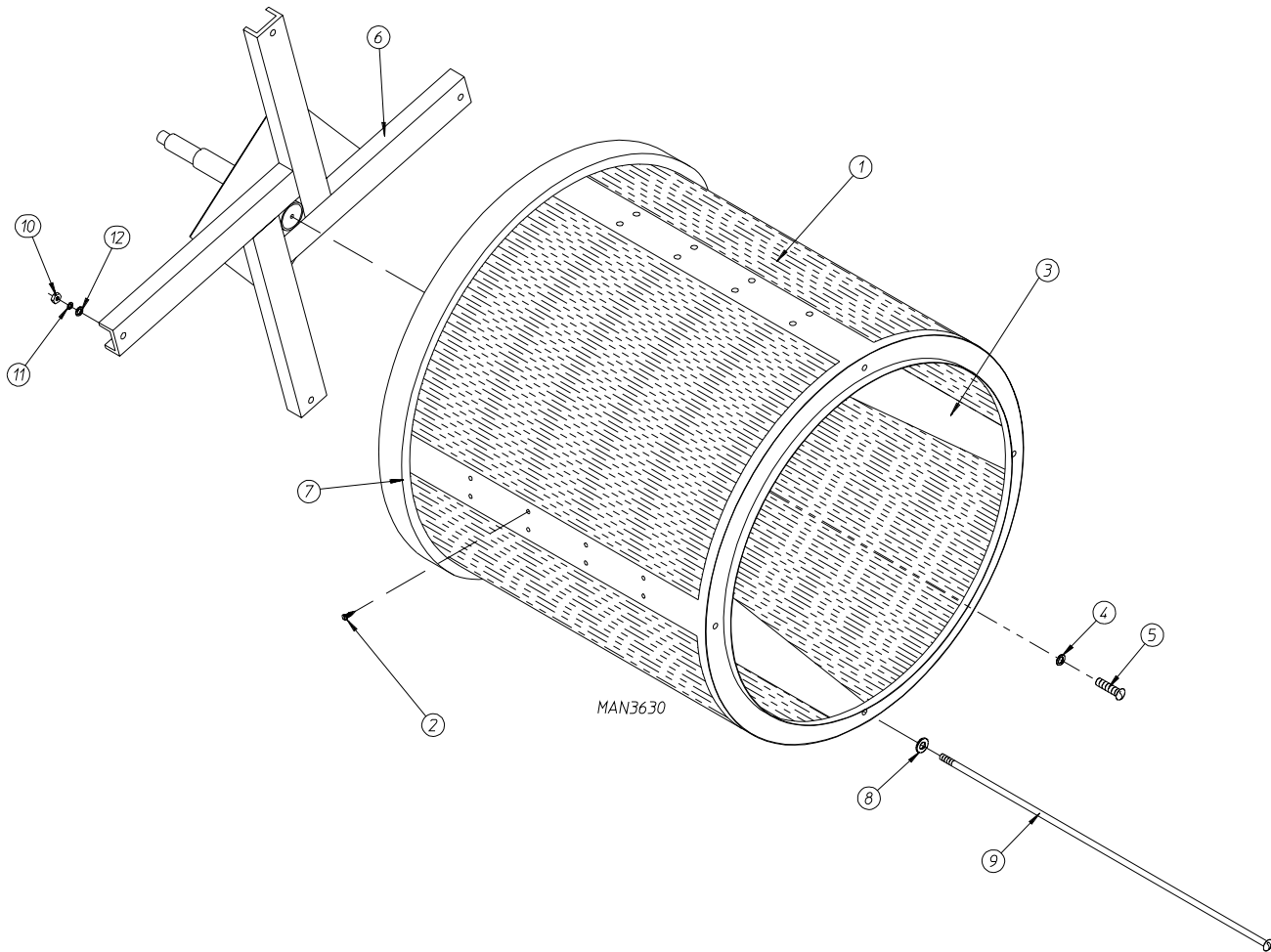


<u>Illus. No.</u>	<u>Part No.</u>	<u>Qty.</u>	<u>Description</u>
1	800420	1	Non-Reversing Lint Trap Assembly Complete (includes illus. nos. 1, 3, 4, and 5)
	800421	1	Non-Reversing Lint Trap ONLY
	800422	1	Reversing Lint Trap Assembly Complete (includes illus. nos. 1, 3, 4, and 5)
	800423	1	Reversing Lint Trap ONLY
2	154200	7	5/32" Pop Rivet
3	304101	1	Lint Screen Holder ONLY
4	150300	2	#10-16 x 1/2" Hex Washer TEK PLTD
5	800506	1	Lint Screen ONLY
6	150419	2	#6 x 1/2" Tamperproof TEK Screw
	150418	1	Tamperproof Screw Hand Driver
7	108120	1	Chain for Drop Lint Door (10-1/2" length)
8	150425	2	#12-24 x 3/8" Phillips Round Head Screw
9	122116	1	Lint Drawer Switch ONLY
10	323724	1	Lint Drawer Switch Bracket
11	121400	1	Universal Bushing

For Steam Models with 10" Exhaust

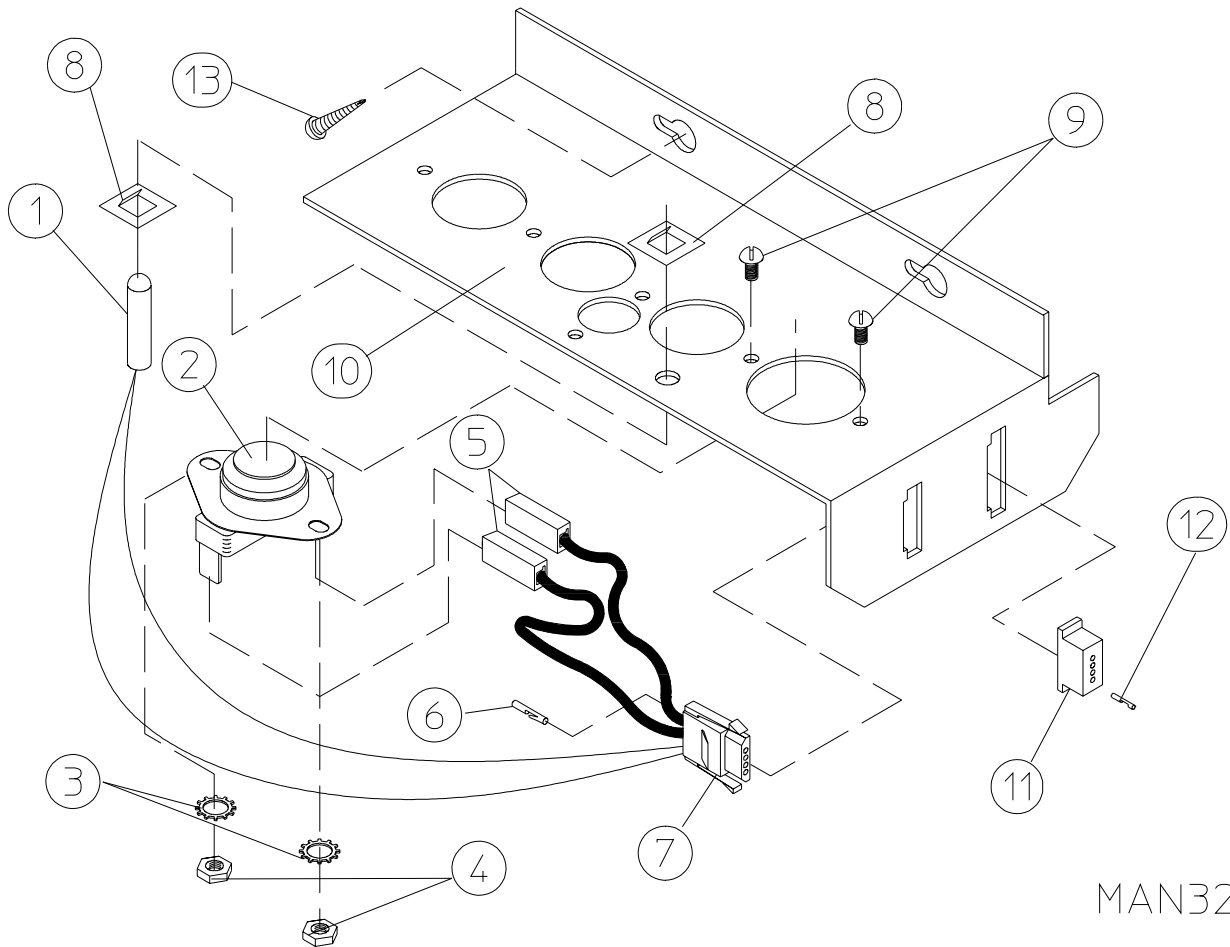


Illus. No.	Part No.	Qty.	Description
1	800440	1	Non-Reversing Lint Trap Assembly Complete (includes illus. nos. 1, 3, 4, and 5)
	800433	1	Non-Reversing Lint Trap ONLY
	800441	1	Reversing Lint Trap Assembly Complete (includes illus. nos. 1, 3, 4, and 5)
	800434	1	Reversing Lint Trap ONLY
2	154200	7	5/32" Pop Rivet
3	304101	1	Lint Screen Holder ONLY
4	150300	2	#10-16 x 1/2" Hex Washer TEK PLTD
5	800506	1	Lint Screen ONLY
6	150419	2	#6 x 1/2" Tamperproof TEK Screw
	150418	1	Tamperproof Screw Hand Driver
7	108120	1	Chain for Drop Lint Door (10-1/2" length)
8	150425	2	#12-24 x 3/8" Phillips Round Head Screw
9	122116	1	Lint Drawer Switch ONLY
10	323724	1	Lint Drawer Switch Bracket
11	121400	1	Universal Bushing



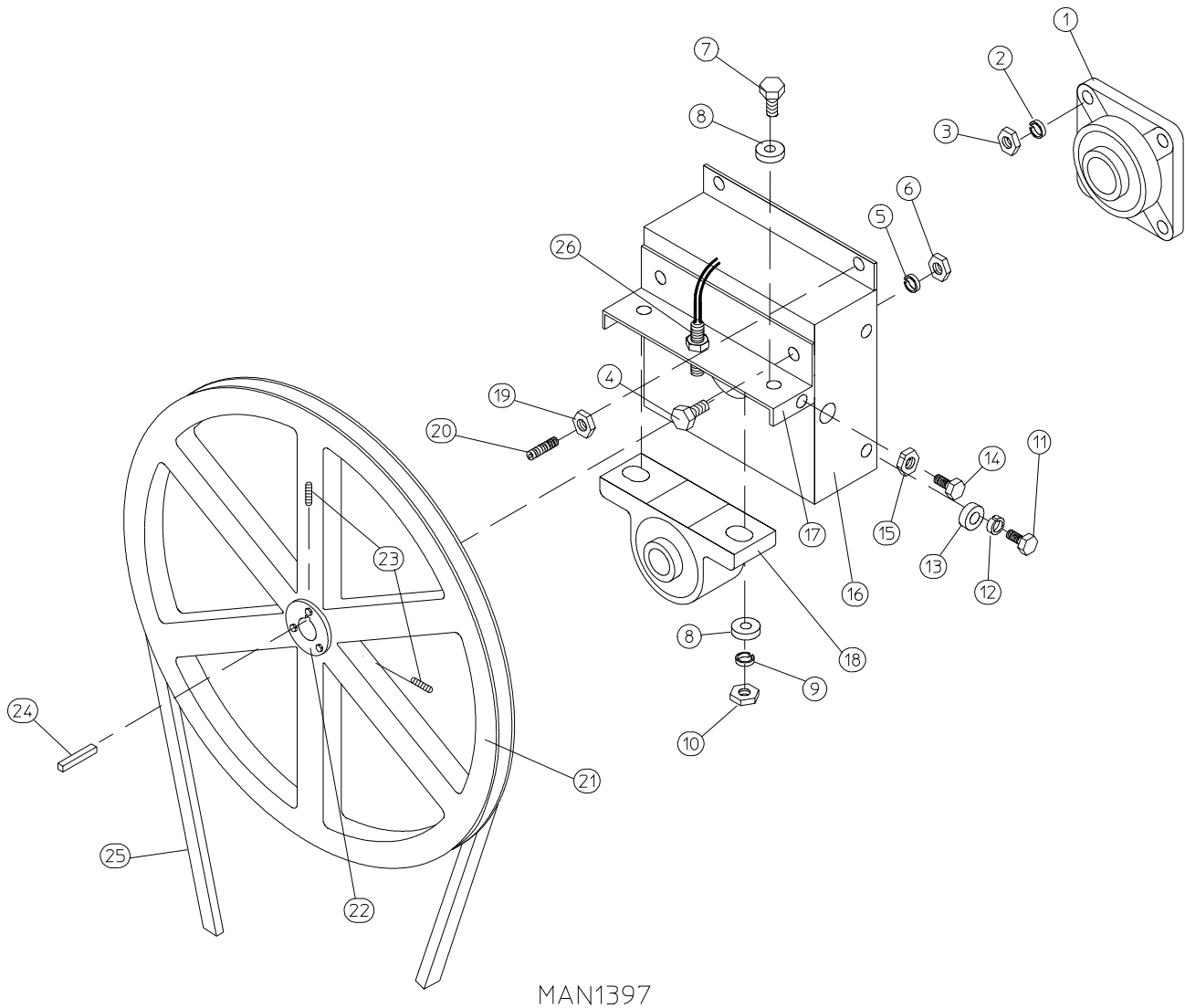
<u>Illus. No.</u>	<u>Part No.</u>	<u>Qty.</u>	<u>Description</u>
1	881780	1	Basket (tumbler) ONLY
	881783	1	1-3/4" Non-Reversing Basket (tumbler) and Support Assembly Complete (includes illus. nos. 1 through 12)
	881782	1	1-3/4" Reversing Basket (tumbler) and Support Assembly Complete (includes illus. nos. 1 through 12)
2	150413	40	#10-16 x 1/2" Torx Crimptite
3	390074	4	Basket (tumbler) Rib ONLY
4	153002	1	5/16" Lock Washer
5	150500	1	5/16-18 x 3/4" Socket Button Head Screw
6	881778	1	1-3/4" Non-Reversing Basket (tumbler) Support ONLY
	881779	1	1-3/4" Reversing Basket (tumbler) Support ONLY
7	116000	1	Felt Collar ONLY
	401010	1	#847 Adhesive For Felt Collar
8	153004	4	3/8" Flat Washer
9	100905	4	3/8-16 x 37" Tie Rod
10	152005	4	3/8-16 Hex Nut
11	153005	4	3/8" Lock Washer
12	153004	4	3/8" Flat Washer





MAN328

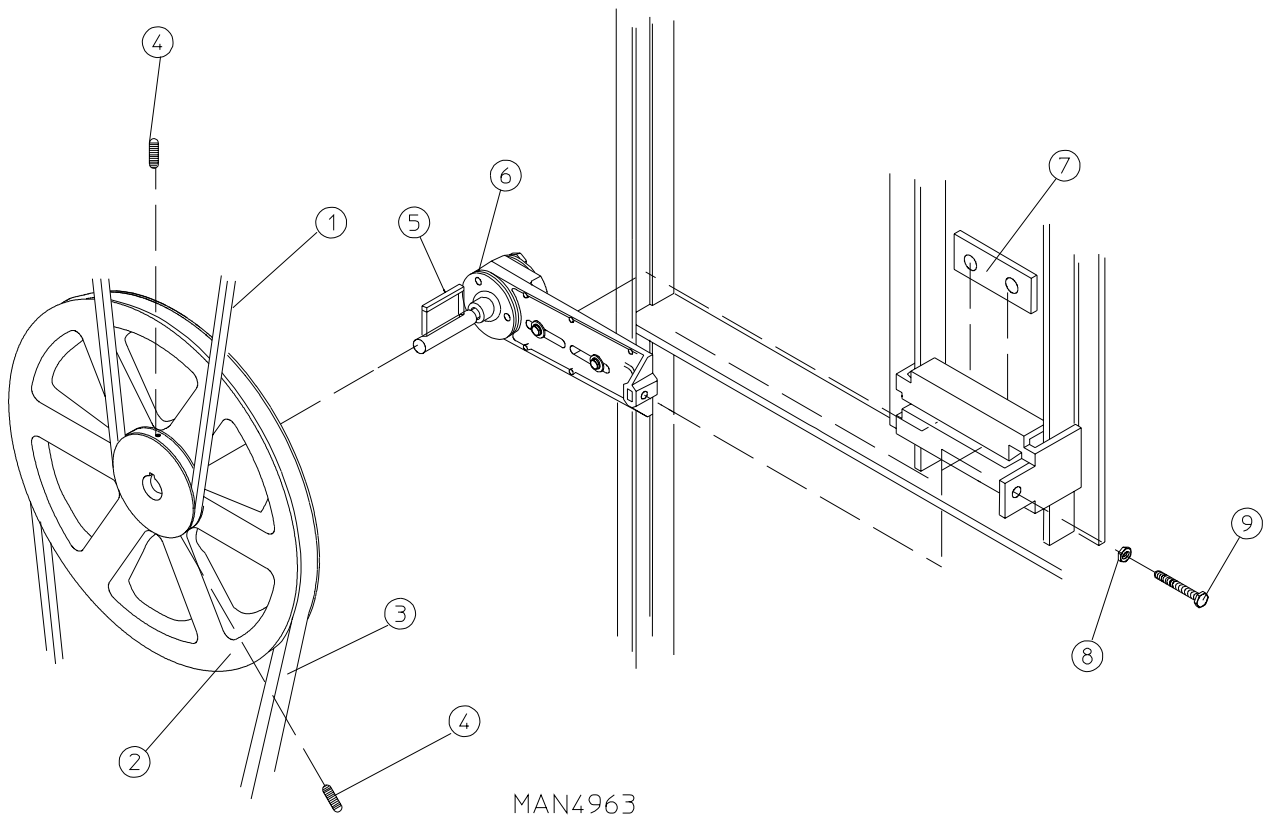
<u>Illus. No.</u>	<u>Part No.</u>	<u>Qty.</u>	<u>Description</u>
1	880251	1	1/4" Temperature Sensor Probe Assembly Complete (includes illus. nos. 1 and 5 through 8)
2	130103	1	225° Large Automatic Thermostat ONLY
3	153010	2	#6 Star Washer
4	152000	2	#6-32 Hex Nut
5	121028	2	Insulated Terminal ONLY
6	122701	4	Socket Terminal ONLY
7	122605	1	4-Pin Socket Connector
8	154007	2	1/4" Tinnerman Push On Fastener
9	150005	2	#6-32 x 1/4" Phillips Round Head Machine Screw
10	801425	1	Microprocessor Sensor Bracket Assembly Complete (includes illus. nos. 1 through 10)
	305007	1	Universal Sensor Bracket ONLY
11	122604	1	4-Pin Connector ONLY
12	122700	4	Pin Terminal ONLY
	122801	1	Pin/Socket Extraction Tool
13	150301	2	#8-18 x 7/16" Phillips Pan Head TEK Screw



<u>Illus. No.</u>	<u>Part No.</u>	<u>Qty.</u>	<u>Description</u>
1	880220	1	1-3/4" Flange Bearing with Nylock Setscrew
2	153025	4	9/16" Lock Washer
3	152050	4	9/16-12 Hex Nut
4	150508	2	3/8-16 x 3/4" Hex Head Machine Bolt
5	153005	2	3/8" Lock Washer
6	152005	2	3/8-16 Hex Nut
7	150600	2	3/8-16 x 1-1/2" Hex Head Machine Bolt
8	153004	*	3/8" Flat Washer
9	153005	2	3/8" Lock Washer
10	152005	2	3/8-16 Hex Nut

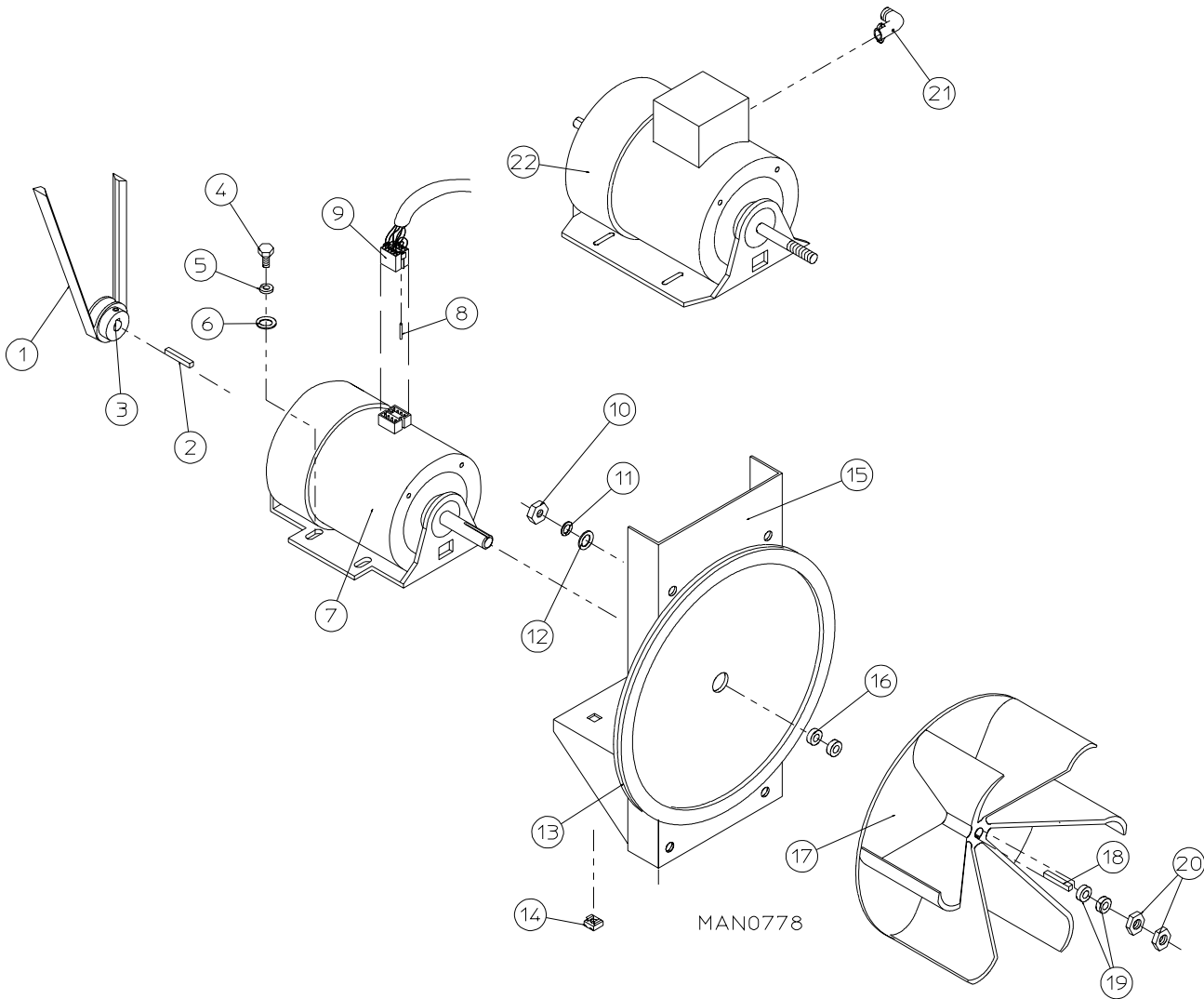
<u>Illus. No.</u>	<u>Part No.</u>	<u>Qty.</u>	<u>Description</u>
11	150501	4	5/16-18 x 3/4" Hex Head Machine Bolt
12	153002	4	5/16" Lock Washer
13	153001	4	5/16" Flat Washer
14	150621	2	5/16-18 x 1-1/2" Hex Head Machine Bolt
15	152004	2	5/16-18 Hex Nut
16	801107	1	1-3/8" Bearing Box Magnetic Sensor Assembly Complete (includes illus. nos. 4 through 20) For Models Mfd. without Rotational Sensor (for models mfd. as of April 12, 1999)
	801101	1	1-3/8" Bearing Box Assembly Complete (includes illus. nos. 4 through 20) For Models Mfd. without Rotational Sensor (for models mfd. prior to April 12, 1999)
	801103	1	1-3/8" Bearing Box and Support ONLY (includes illus. nos. 4, 5, 6, 16, and 17)
	801105	1	1-3/8" Bearing Box ONLY
17	801104	1	Pillow Block Bearing Support ONLY
18	880202	1	1-3/8" Pillow Block Bearing with Nylock Setscrew
	880779	1	1-3/8" Pillow Block Bearing Assembly with Magnet (for models mfd. with optional rotational sensor)
19	152004	2	5/16-18 Hex Nut
20	150610	2	5/16-18 x 1-1/2" Allen Setscrew
21	101100	1	18" Pulley (for non-reversing models Only)
	101118	1	18-3/4" Pulley (for reversing models Only)
22	101119	1	1-3/8" Taper Lock Hub (key not included) For Reversing Models ONLY
23	154301	2	5/16-18 x 5/16" Allen Setscrew (for non-reversing models Only)
24	100713	1	1/4" x 1/4" x 7/8" Key (for non-reversing models Only)
	100735	1	Shaft Key (for taper lock hub) For Reversing Models ONLY
25	100106	1	5L-690 V-Belt (basket [tumbler] to idler)
26	824807	1	Rotational Sensor Assembly (for models mfd. with optional rotational sensor)

\* As required.



---

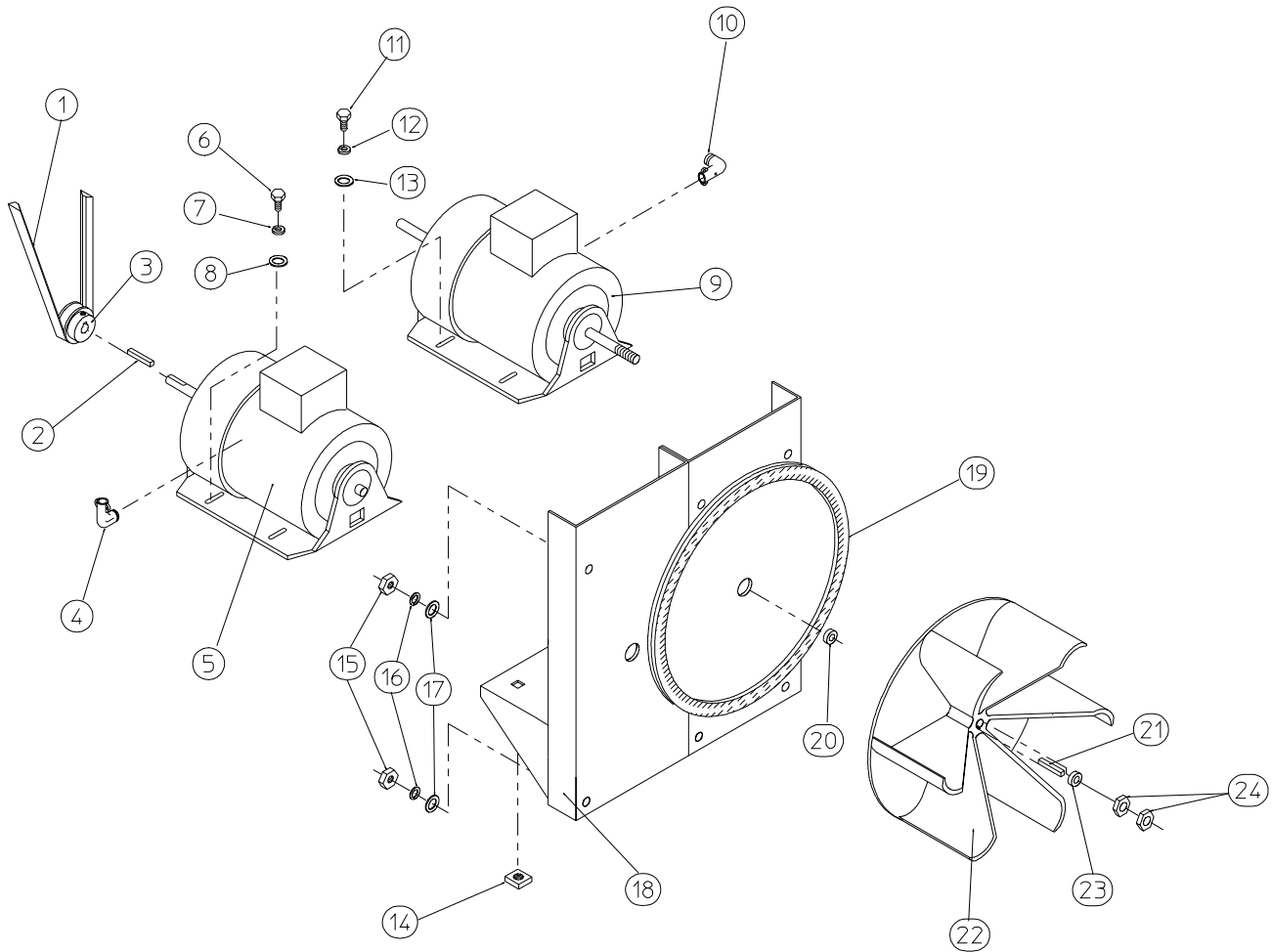
<u>Illus. No.</u>	<u>Part No.</u>	<u>Qty.</u>	<u>Description</u>
1	100106	1	5L-690 V-Belt (basket [tumbler] to idler)
2	101140	1	14" x 3" Compound Pulley
3	100117	1	4L-620 V-Belt (idler to motor)
			For Non-Reversing Models ONLY
	100114	1	4L-630 V-Belt (idler to motor)
			For Reversing Models ONLY
4	154301	2	5/16-18 x 1" Allen Setscrew
5	100705	1	3/16" x 3/16" x 1-3/8" Key
6	882576	1	Idler Bearing Assembly Complete (includes illus. nos. 5 through 12)
7	801009	1	Idler Square Washer
8	152004	1	5/16-18 Hex Nut
9	150509	1	5/16-18 x 3" Hex Head Machine Bolt



Illus. No.	Part No.	Qty.	Description
1	100117	1	4L 620 V-Belt (motor to idler)
2	100701	1	3/16" x 3/16" x 1" Key
3	101133	1	5/8" x 2-1/4" Motor Pulley (60 Hz Only)
	101130	1	5/8" x 2-1/2" Motor Pulley (50 Hz Only)
4	150501	4	5/16-18 x 3/4" Hex Head Machine Bolt
5	153002	4	5/16" Lock Washer
6	153001	4	5/16" Flat Washer
7	100073*	1	1 HP 120/208/230v 1ø 60 Hz Totally Enclosed, Fan-Cooled (T.E.F.C.) Motor with Plug (56Z frame)
	181016	1	3/4 HP 230v 1ø 50 Hz Non-Reversing Totally Enclosed, Fan-Cooled (T.E.F.C.) Motor
8	122701	8	Socket Terminal
	122801	1	Pin/Socket Extraction Tool
9	137030	1	8-Pin Housing Connector
	824714	1	120 Volt - 1ø Motor Harness
	824709	1	240 Volt - 1ø Motor Harness
10	152004	4	5/16-18 Hex Nut

<u>Illus. No.</u>	<u>Part No.</u>	<u>Qty.</u>	<u>Description</u>
11	153002	4	5/16" Lock Washer
12	153001	4	5/16" Flat Washer
13	117600	4	Noise Suppressor Tape (sold by the foot)
14	154000	4	5/16-18 Tinnerman Nut
15	800919	1	Non-Reversing Motor Mount ONLY (56Z frame)
	803992*	1	1 HP 120/230v 1 $\phi$ 60 Hz Totally Enclosed, Fan-Cooled (T.E.F.C.) Motor Mount Assembly with Plug Complete (includes illus. nos. 2 through 7 and 13 through 20)
	803953	1	3/4 HP 230v 1 $\phi$ 50 Hz Non-Reversing Totally Enclosed, Fan-Cooled (T.E.F.C.) Motor Mount Assembly Complete (includes illus. nos. 2 through 6 and 13 through 22)
	803955*	1	1 HP 230/380/460v 3 $\phi$ 60 Hz Non-Reversing Totally Enclosed, Fan-Cooled (T.E.F.C.) Motor Mount Assembly Complete (includes illus. nos. 2 through 6 and 13 through 22)
	803958*	1	1 HP 230/380/460v 3 $\phi$ 50 Hz Non-Reversing Totally Enclosed, Fan-Cooled (T.E.F.C.) Motor Mount Assembly Complete (includes illus. nos. 2 through 6 and 13 through 22)
16	153051	1	3/4" S.A.E. Flat Washer
17	100603	1	16" Impellor with 3/4" Bore
18	100714	1	3/16" x 3/16" x 1-7/8" Key
19	153050	2	1/2" S.A.E. Flat Washer
20	152006	2	1/2-20 Left Hand Jam Nut
21	120200	1	3/8" x 90° Connector
	824696	1	3-Phase (3 $\phi$ ) Motor Harness
22*	100075	1	1 HP 208/230/240/460v 3 $\phi$ 50/60 Hz Totally Enclosed, Fan-Cooled (T.E.F.C.) Motor

\* Specify voltage when ordering.



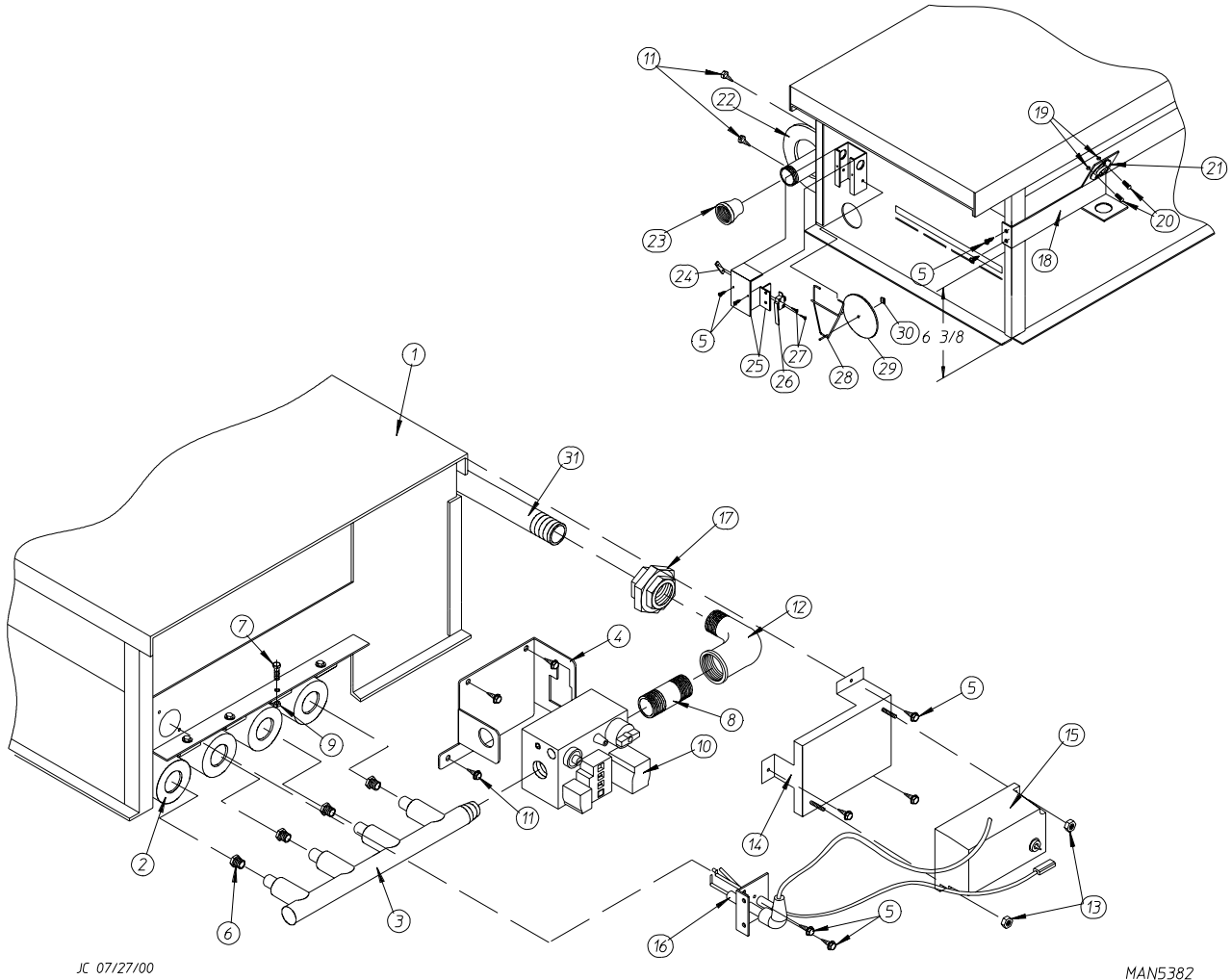
MAN0250



<u>Illus. No.</u>	<u>Part No.</u>	<u>Qty.</u>	<u>Description</u>
1	100114	1	4L-630 V-Belt (motor to idler)
2	100701	1	3/16" x 3/16" x 1" Key
3	101130	1	5/8" x 2-1/2" Motor Pulley (60 Hz Only)
	101139	1	5/8" x 2-3/4" Motor Pulley (50 Hz Only)
4	120200	1	3/8" x 90° Connector
	824697	1	3-Phase (3ø) Drive Motor Harness
5*	181003	1	1/2 HP 208/230/380/460v 3ø 50/60 Hz Totally Enclosed, Fan-Cooled (T.E.F.C.) 56Z Frame
6	150501	4	5/16-18 x 3/4" Hex Head Machine Bolt
7	153002	4	5/16" Lock Washer
8	153001	4	5/16" Flat Washer
9*	100075	1	1 HP 220/230/380/460v 3ø 50/60 Hz Totally Enclosed, Fan-Cooled (T.E.F.C.) Motor with 3/4" Shaft (56Z frame)
10	120200	1	3/8" x 90° Connector
	824698	1	3-Phase (3ø) Blower (fan/impellor) Motor Harness
11	150501	4	5/16-18 x 3/4" Hex Head Machine Bolt
12	153002	4	5/16" Lock Washer
13	153001	4	5/16" Flat Washer
14	154000	8	5/16" Tinnerman Nut
15	152004	7	5/16" Hex Nut
16	153002	4	5/16" Lock Washer
17	153001	4	5/16" Flat Washer
18	800912	1	Reversing Motor Mount ONLY (56Z frame)
	803952*	1	Reversing Totally Enclosed, Fan-Cooled (T.E.F.C.) Motor Mount Assembly Complete (includes illus. nos. 2 through 14 and 18 through 24) For 60 Hz Models ONLY
	803987*	1	Reversing T.E.F.C. Motor Mount Assembly Complete (includes illus. nos. 2 through 14 and 18 through 24) For 50 Hz Models ONLY
19	117600	4	Noise Suppressor Tape (sold by the foot)
20	153050	1	1/2" S.A.E. Flat Washer
21	100702	1	1/8" x 1/8" x 1-1/2" Key
22	100603	1	16" Impellor with 3/4" Bore
23	153050	**	1/2" S.A.E. Flat Washer
24	152006	2	1/2-20 Left Hand Jam Nut

\* Specify voltage when ordering.

\*\* As required.



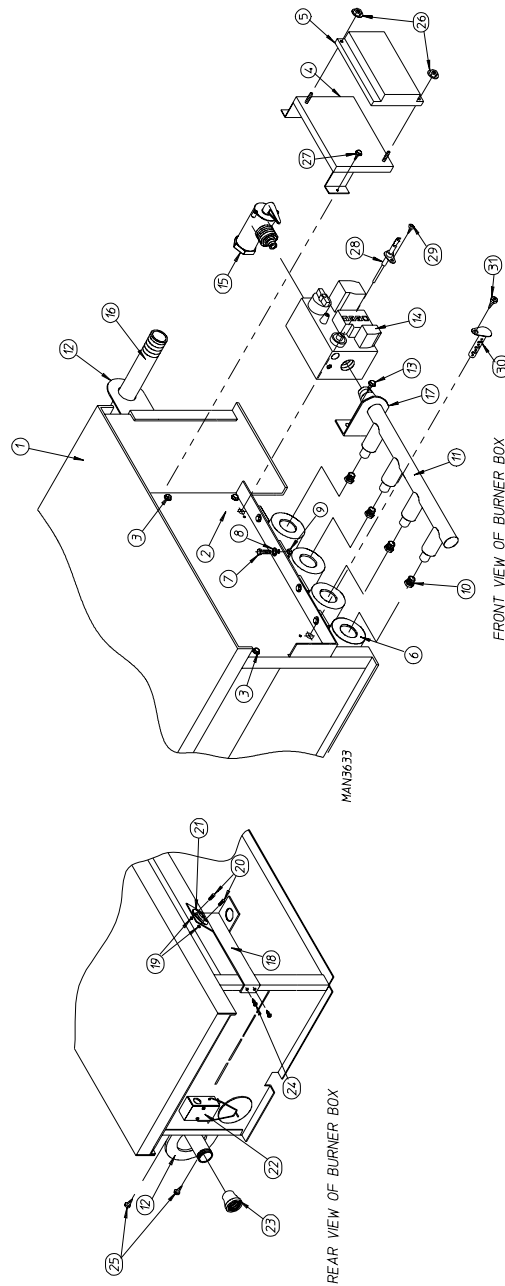
JC 07/27/00

MAN5382

Illus. No.	Part No.	Qty.	Description
1*	809716	1	Natural Gas Burner Assembly Complete (includes illus. nos. 1 through 32 For Models Manufactured Natural Gas ONLY
	809717	1	Liquid Propane (L.P.) Gas Burner Assembly Complete (includes illus. nos. 1 through 32) For Models Manufactured with Liquid Propane (L.P.) Gas ONLY
	810047	1	Burner Box ONLY
	881231*	1	Burner Liquid Propane (L.P.) Conversion Kit
2	141105	4	Large Burner Tube
3	141210	1	3/4" Direct Spark Ignition (DSI) Manifold (4-port)
4	318714	1	Bracket For Horizontal Facing Gas Valve
5	150300	9	#10-16 1/2" Hex Washer TEK PLTD
6*	140820	4	#29 Burner Orifice (natural gas) ONLY
	140805	4	#47 Burner Orifice (liquid propane [L.P.] gas Only)
7	150108	4	#8-32 x 1/2" Phillips Round Head Machine Screw
8	142707	4	1/2" x 1 1/2" Long Black Nipple
9	151001	4	#8-32 Pal Nut

<u>Illus. No.</u>	<u>Part No.</u>	<u>Qty.</u>	<u>Description</u>
10	128927	1	1/2" 24 VAC Redundant (natural gas) Gas Valve
	880960	1	1/2" 24 VAC Direct Spark Ignition (DSI) Liquid Propane (L.P.) Gas Valve Assembly
11	150309	5	#10-16 x 1/2" Hex Head TEK Crimptite Screw
12	142506	1	1/2" Street Elbow
13	152013	2	#6-32 Hex Nut 1/4" ATF
14	810030	1	Johnson Controls Direct Spark Ignition (DSI) Module Mounting Bracket
15	128935	1	Direct Spark Ignition (DSI) Module with 3 Tries
16	809309	1	Ignitor Probe Assembly with 19" Leads
17	142600	1	1/2" Black Union
18	319704	1	HI-Limit Mounting Bracket
19	151000	2	#6-32 Pal Nut
20	150001	2	#6-32 x 1/2" Phillips Round Head Machine Screw
21	130201	1	330° HI-Limit Manual Reset
22	318700	1	Pipe Bracket (bent)
23	143000	1	3/4" to 1/2" Reducing Coupling
	142936	1	3/4" BSPT x 1/2" N.P.T. Coupling (CE Only)
24	154004	1	Twin Speed Nut
25	802799	1	Sail Switch Box Cover and Bracket ONLY (refer to <b>Sail Switch Assembly</b> on <b>page 38</b> )
26	122200	1	Sail Switch ONLY
27	150303	2	#4 x 3/4" Pan Head "A" Machine Screw
28	105500	1	Sail Switch Actuator Rod
29	319202	1	Sail Switch Damper (flat)
30	154002	1	1/8" Push On Fastener
31	142809	1	1/2" x 29-1/8" Nipple

\* Consult factory for elevations over 2,000 feet.

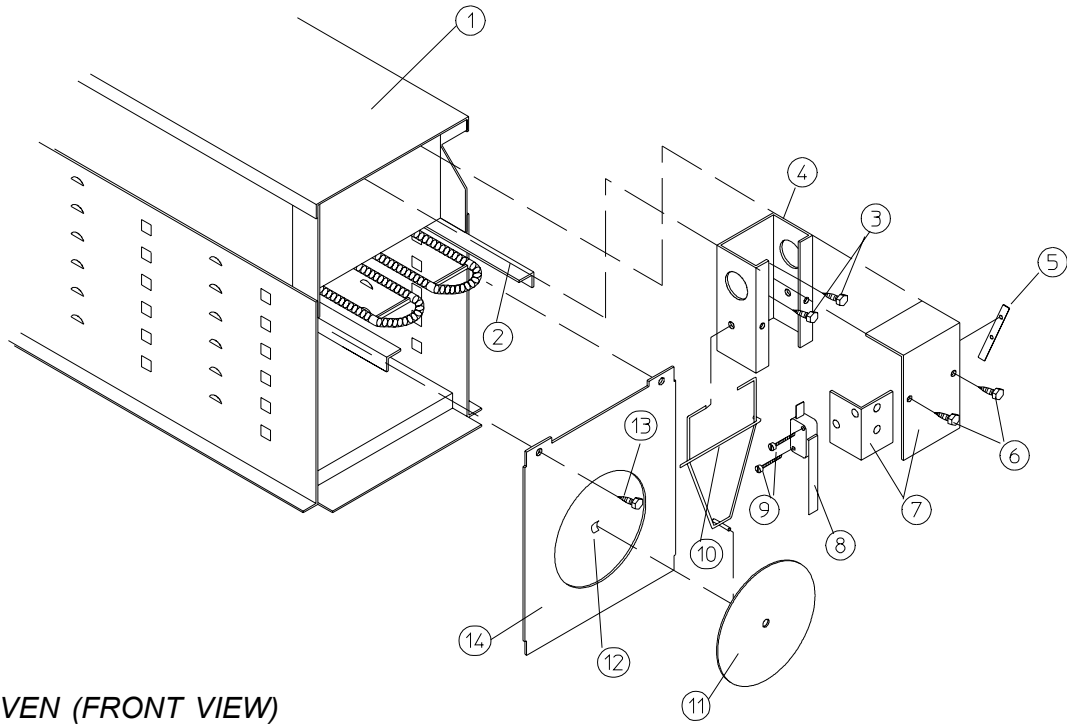


<u>Illus. No.</u>	<u>Part No.</u>	<u>Qty.</u>	<u>Description</u>
1	881781*	1	Natural Gas Burner Assembly Complete Less Orifices (includes illus. nos 1 through 9 and 11 through 31) For Models Manufactured with Natural Gas ONLY
	881784*	1	Liquid Propane (L.P.) Gas Burner Assembly Complete Less Orifices (includes illus. nos 1 through 9 and 11 through 31) For Models Manufactured with Liquid Propane (L.P.) Gas ONLY
	810045	1	Burner Box ONLY (for models mfd. as of October 5, 1998)
	802237	1	Burner Box ONLY (for models mfd. prior to October 5, 1998)
	881231**	1	MLG-75 Burner Liquid Propane (L.P.) Conversion Kit

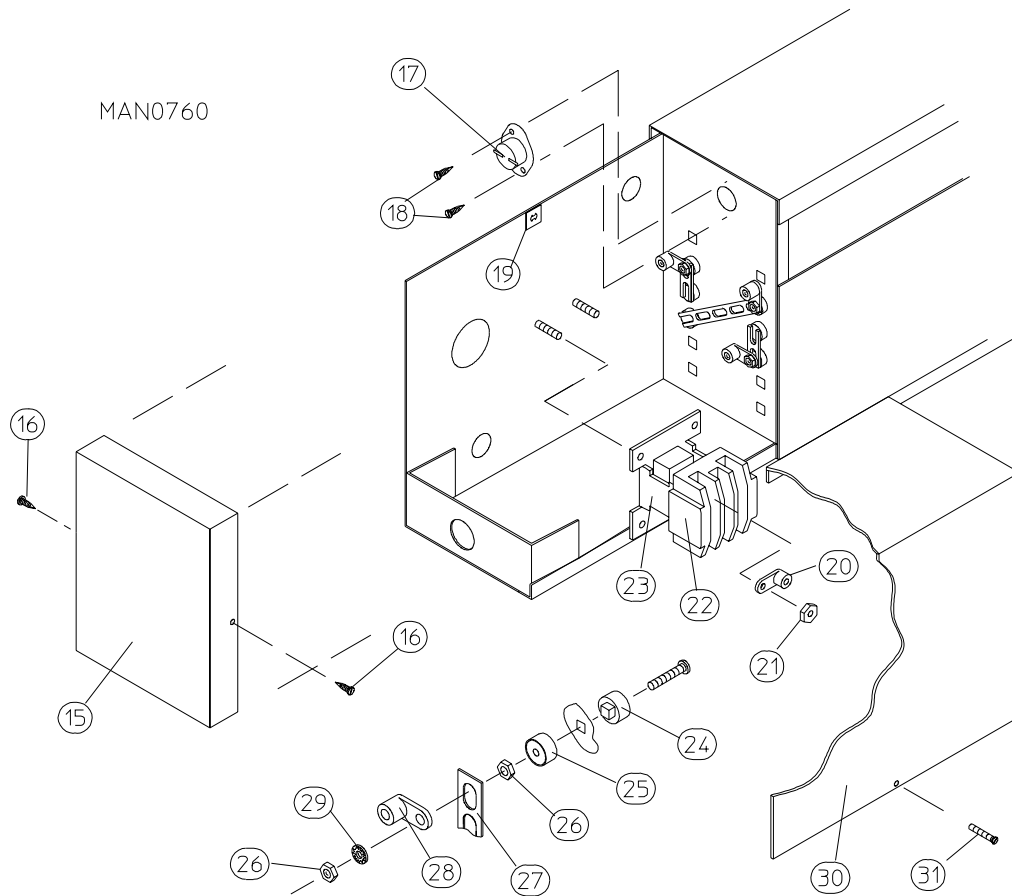
<u>Illus. No.</u>	<u>Part No.</u>	<u>Qty.</u>	<u>Description</u>
2	323013	1	Burner Box Shield/Front ONLY (for models mfd. as of October 5, 1998)
	318041	1	Burner Box Front ONLY (for models mfd. prior to October 5, 1998)
3	150309	5	#10-16 x 1/2" Hex Head TEK Crimptite Screw
4	810029	1	Hot Surface Ignition (HSI) Module Mounting Bracket
5	881797	1	Hot Surface Ignition (HSI) Module II
6	141105	4	Large Burner Tube
7	150103	4	#8-32 x 3/4" Phillips Round Head Machine Screw
8	153000	4	#8 Steel Burr
9	151001	4	#8-32 Pal Nut
10**	140820	4	#29 Burner Orifice (natural gas) ONLY
	140805	4	#47 Burner Orifice (liquid propane [L.P.] gas) ONLY
11	141210	1	4-Port Manifold
12	318700	2	Pipe Bracket (bent)
13	150300	2	#10-16 x 1/2" Hex Washer TEK PLTD
14	128927	1	1/2" 24 VAC Redundant (natural gas) Gas Valve
	880960	1	1/2" 24 VAC Liquid Propane (L.P.) Gas Valve Assembly
	140411	1	24 VAC Gas Valve Liquid Propane (L.P.) Conversion Kit
15	881367	1	1/2" Union Shutoff with Tail Piece
16	142809	1	1/2" x 29-1/8" Nipple
17	323737	1	Pipe Bracket
18	319704	1	Hi-Limit Mounting Bracket
19	151000	2	#6-32 Pal Nut
20	150001	2	#6-32 x 1/2" Phillips Round Head Machine Screw
21	130401	1	330° Hi-Limit ONLY
22	-----	1	Sail Switch (refer to <b>Sail Switch Assembly</b> on <b>page 38</b> )
23	143000	1	3/4" to 1/2" Reducing Coupling
	142936	1	3/4" BSPT x 1/2" N.P.T. Coupling (CE Only)
24	150309	2	#10-16 x 1/2" Hex Head TEK Crimptite Screw
25	150309	2	#10-16 x 1/2" Hex Head TEK Crimptite Screw
26	151001	2	#8-32 Pal Nut
27	150309	3	#10-16 x 1/2" Hex Head TEK Crimptite Screw
28	128921	1	Hot Surface Ignition (HSI) Flame Sensor
29	150301	1	#8-18 x 7/16" Phillips Pan Head TEK Screw
30	881597	1	Hot Surface Ignitor (2-1/2" length) - 24 VAC
31	150309	1	#10-16 x 1/2" Hex Head TEK Crimptite Screw

\* Burner orifices *are not included* and **must be** ordered separately.

\*\* Consult factory for elevations over 2,000 feet.



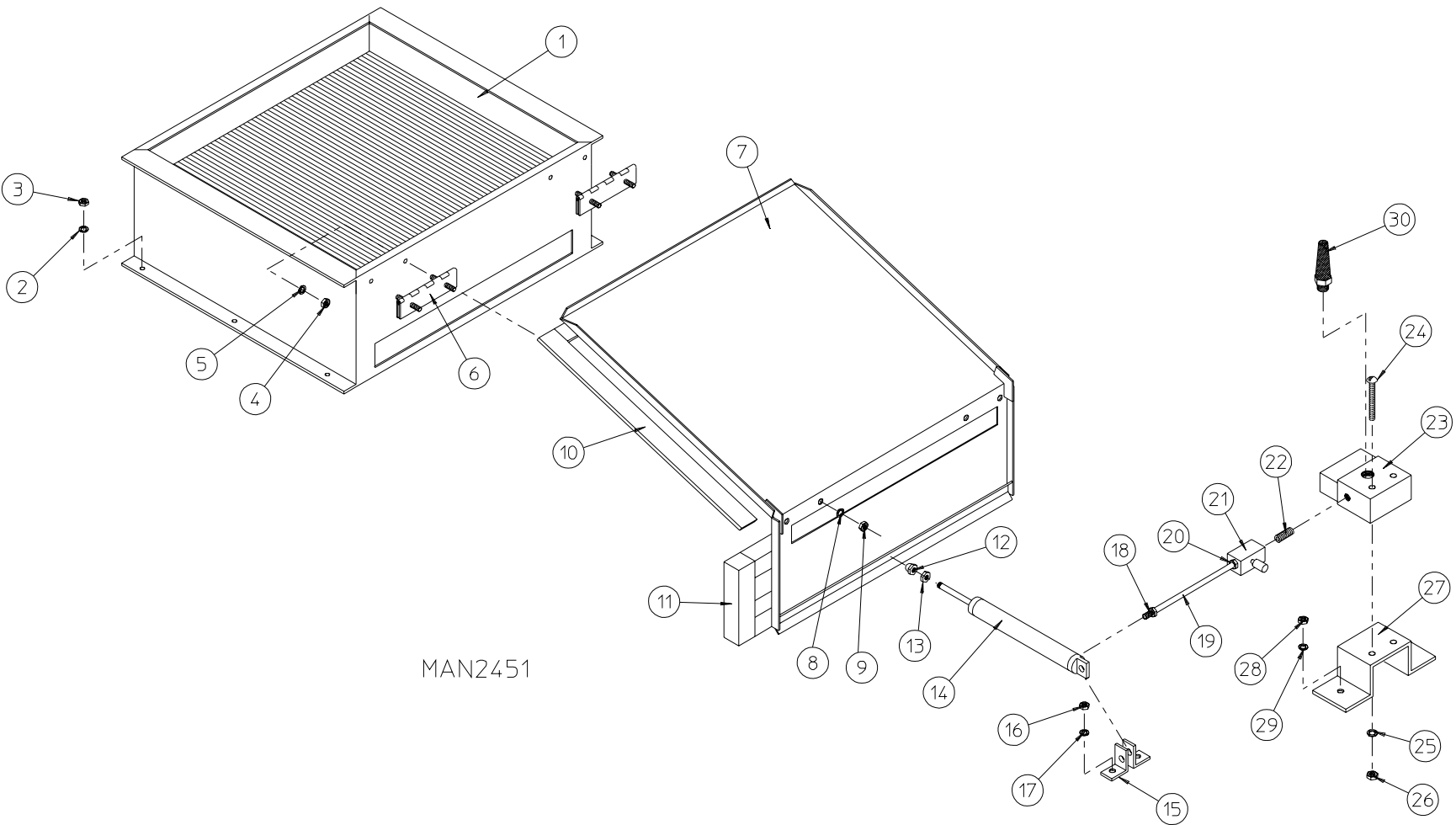
ELECTRIC OVEN (FRONT VIEW)



ELECTRIC OVEN (REAR VIEW)

<u>Illus. No.</u>	<u>Part No.</u>	<u>Qty.</u>	<u>Description</u>
1	803005	1	Large Electric Oven Box ONLY
	-----*	1	Electric Oven Assembly Complete
2	-----*	-	Electric Element
3	150300	2	#10-16 x 1/2" Hex Washer TEK PLTD
4	802800	1	Sail Switch Box with Bracket and Cover ONLY
	802801	1	Sail Switch Box Assembly Complete (includes illus. nos. 4 through 12)
5	154004	1	Twin Speed Nut
6	150309	2	#10-16 x 1/2" Hex Head TEK Crimptite Screw
7	802799	1	Sail Switch Box Cover and Bracket ONLY (refer to <b>Sail Switch Assembly</b> on <b>page 38</b> )
8	122200	1	Sail Switch ONLY
9	150303	2	#4 x 3/4" Pan Head "A" Machine Screw
10	105500	1	Sail Switch Actuator Rod
11	319202	1	Sail Switch Damper (flat)
12	154002	1	1/8" Push On Fastener
13	150300	2	#10-16 x 1/2" Hex Washer TEK PLTD
14	803100	1	Electric Oven Front Cover ONLY
15	320611	1	Large Relay Box Cover ONLY
16	150402	2	#10-24 x 5/8" Slotted Truss Head Machine Screw
17	130400	1	290° Hi-Limit
18	150300	2	#10-16 x 1/2" Hex Washer TEK PLTD
19	154001	2	#10-24 Speed Nut
20	121012	1	Terminal Lug for 110-8 Wire
21	152014	3	1/4-20 Free Spin Wash Nut
22	-----*	1	Oven Relay
23	-----*	1	Oven Relay Replacement Coil
24	120081	-	Internal Ceramic Insulator (2 per element)
25	120080	-	External Ceramic Insulator (2 per element)
26	152008	-	#10-32 Hex Nut (4 per element)
27	121011*	-	Bus Bar
28	-----*	-	Terminal Lug
29	153009	-	#10 Star Washer (2 per element)
30	320607	1	Large Electric Oven Right Side Cover ONLY
31	150402	2	#10-24 x 5/8" Truss Head Machine Screw

\* Refer to **Electric Oven Component Application Chart** on **page 41**.

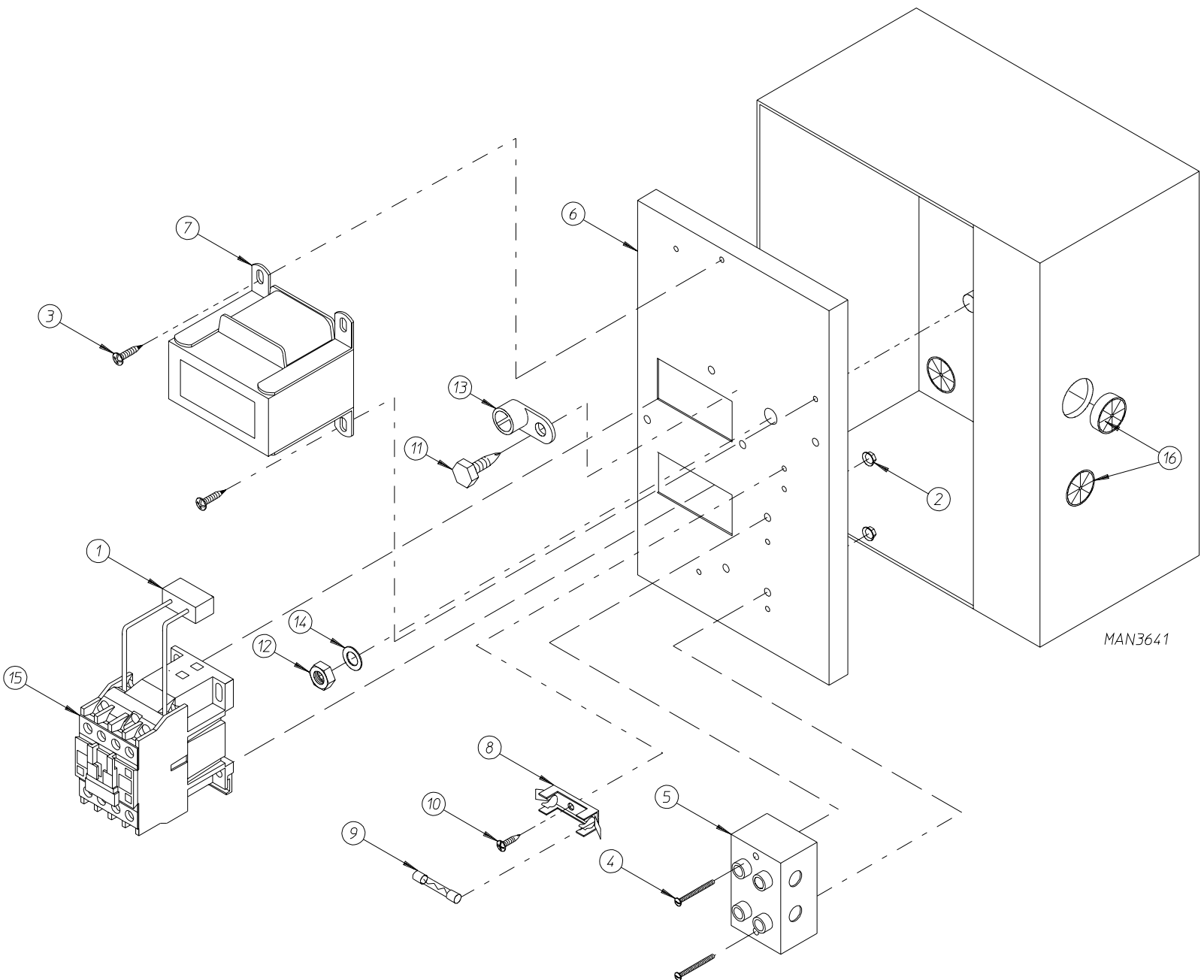


MAN2451



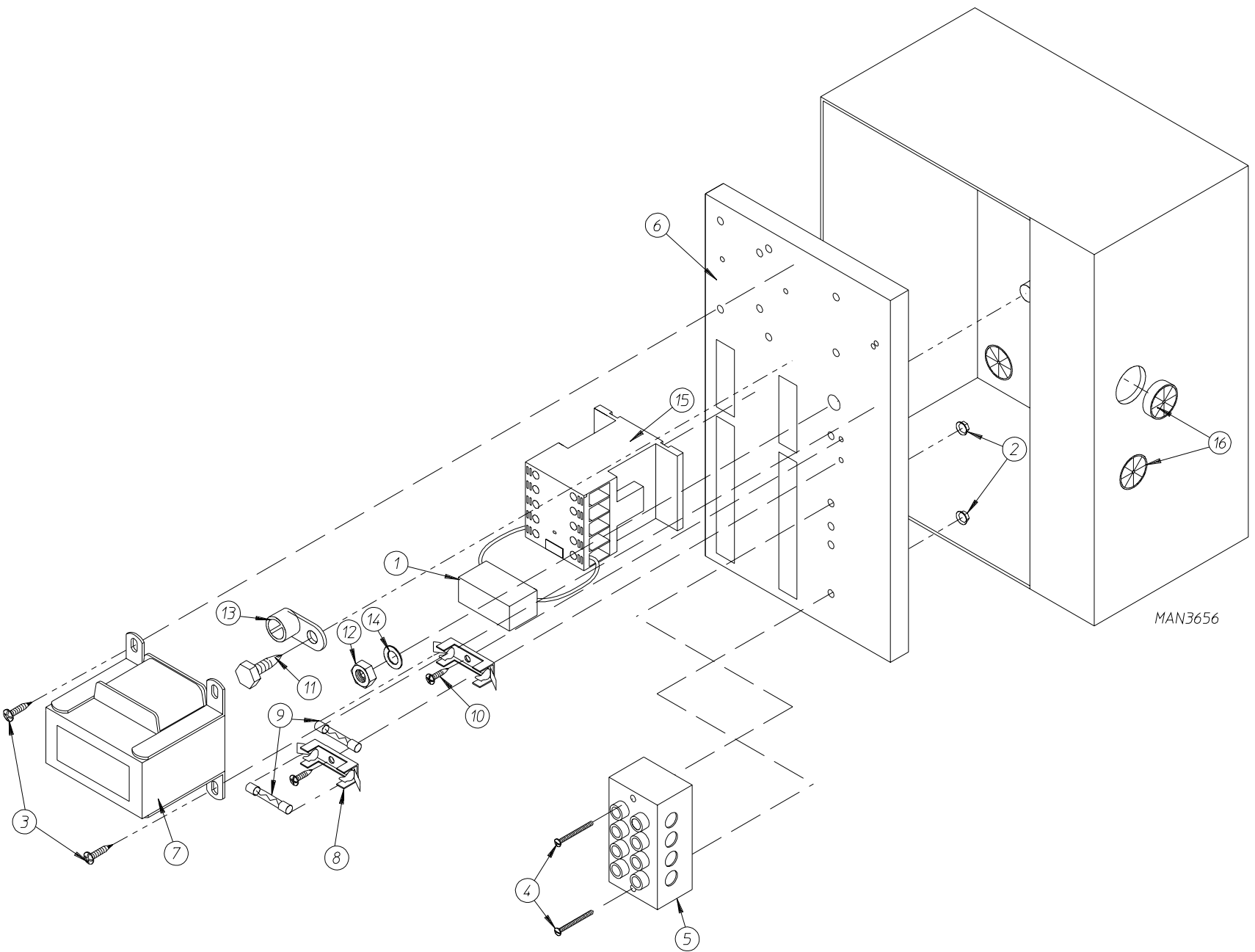
---

<u>Illus. No.</u>	<u>Part No.</u>	<u>Qty.</u>	<u>Description</u>
1	165009	1	Steam Coil Assembly
2	153002	6	5/16" Lock Washer
3	152004	6	5/16-18 Hex Nut
4	152002	4	1/4-20 Hex Nut
5	153007	4	1/4" Lock Washer
6	820321	2	Steam Damper Hinge Assembly
7	803415	1	Steam Damper Assembly (includes illus. nos. 7, 10, and 11)
8	153007	4	1/4" Lock Washer
9	152002	4	1/4-20 Hex Nut
10	115995	108	Steam Damper Gasket (sold by the inch)
11	102350	1	Steam Damper Foam (68-1/2" length)
12	151007	1	7/16-20 Stainless Steel Acorn Nut
13	152007	1	7/16-20 Hex Nut
14	100497	1	1-1/4" Bore x 3" Stroke Piston
15	100492	1	Piston Support Bracket
16	152002	4	1/4-20 Hex Nut
17	153007	4	1/4" Lock Washer
18	100472	1	1/4" x 1/8" Connector
19	143110	1	1/4" Tubing (sold by the foot)
20	100472	1	1/4" x 1/8" Connector
21	100496	1	1/8" Needle Valve
22	143238	1	1/8" Close Nipple
23	100498	1	3-Way Micro Valve - 24 VAC
24	150002	2	#6-32 x 1" Slotted Machine Screw
25	153010	2	#6 Star Washer
26	152000	2	#6-32 Hex Nut
27	330987	1	Micro Valve Support Bracket
28	152002	2	1/4-20 Hex Nut
29	153007	2	1/4" Lock Washer
30	100520	1	1/8" N.P.T. Silencer (muffler)



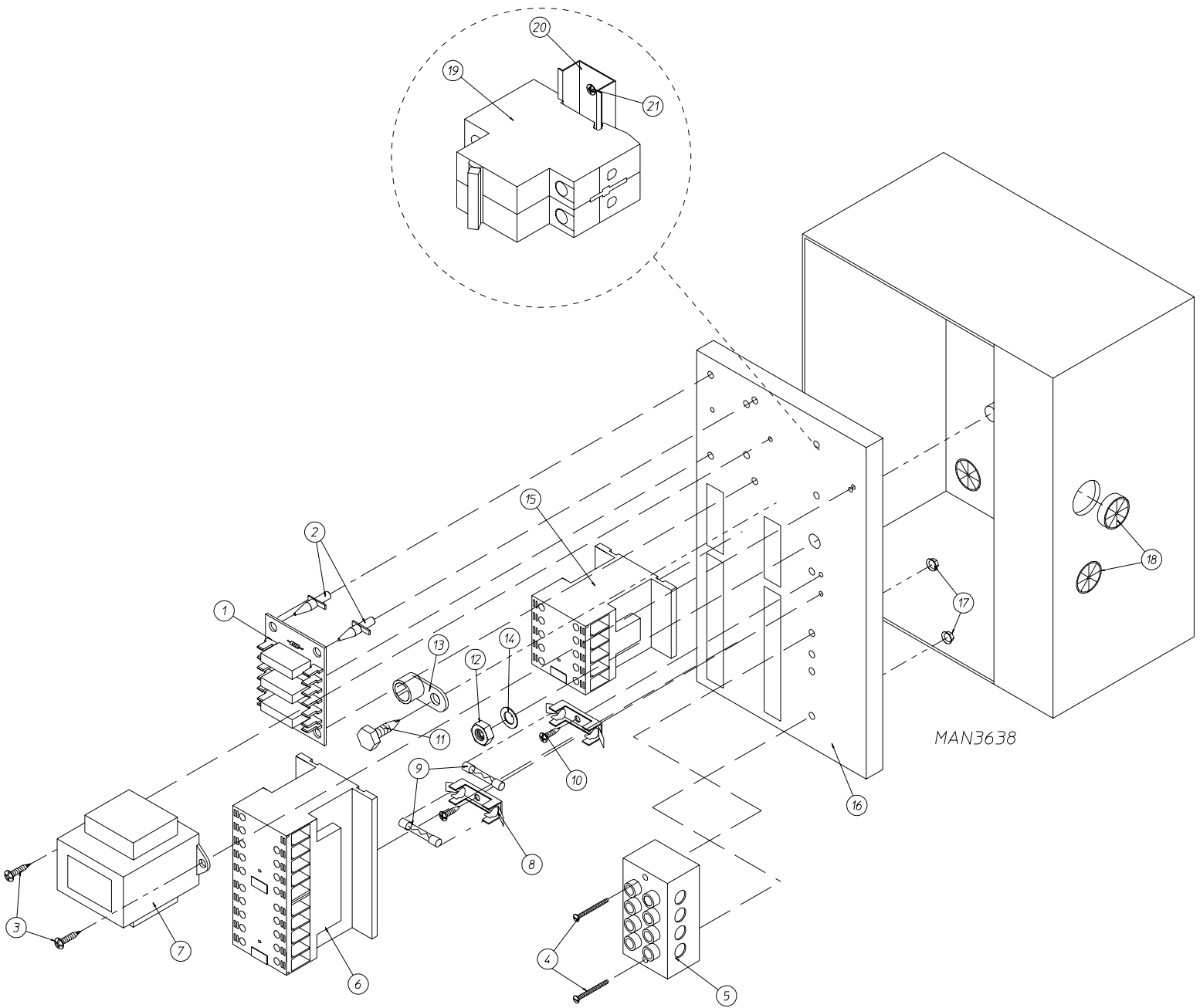
<u>Illus. No.</u>	<u>Part No.</u>	<u>Qty.</u>	<u>Description</u>
1	137015	1	RC Network
2	151000	2	#6-32 Pal Nut
3	150300	2	#10-16 x 1/2" Hex Washer TEK PLTD
4	150008	2	#6-32 x 1-1/4" Phillips Round Head Machine Screw
5	120716	1	2-Position Terminal Block
6	306304	1	Electric Relay Panel Mounting Plate ONLY
	881751	1	120 Volt - 1 $\phi$ Electric Relay Panel Assembly Complete (includes illus. nos. 1 through 11, 13, and 15) For Use On Gas Models ONLY
	881754	1	208/240 Volt - 1 $\phi$ Electric Relay Panel Assembly Complete (includes illus. nos. 1 through 11, 13, and 15) For Use On Gas Models ONLY
7	-----	1	Step Down Transformer (refer <b>Step Down Transformer Usage Listing</b> on <b>page 42</b> )
8	136008	*	Fuse Holder ONLY
9	136049	1	3/4-Amp (slo blo) Fuse (for 120 volt models Only)
	136057	2	1/2-Amp (slo blo) Fuse (for 208/240 volt models Only)
10	150301	*	#8-18 x 7/16" Phillips Pan Head TEK Screw
11	150247	1	#10 x 1/2" Hex Washer TEK Screw - Green
12	152004	1	5/16-18 Hex Nut
13	121010	1	L-70 Ground Lug
14	153002	1	5/16" Lock Washer
15	132445	1	3-Pole Contactor - 24 VAC
16	121300	3	Open/Closed Bushing

\* As required.

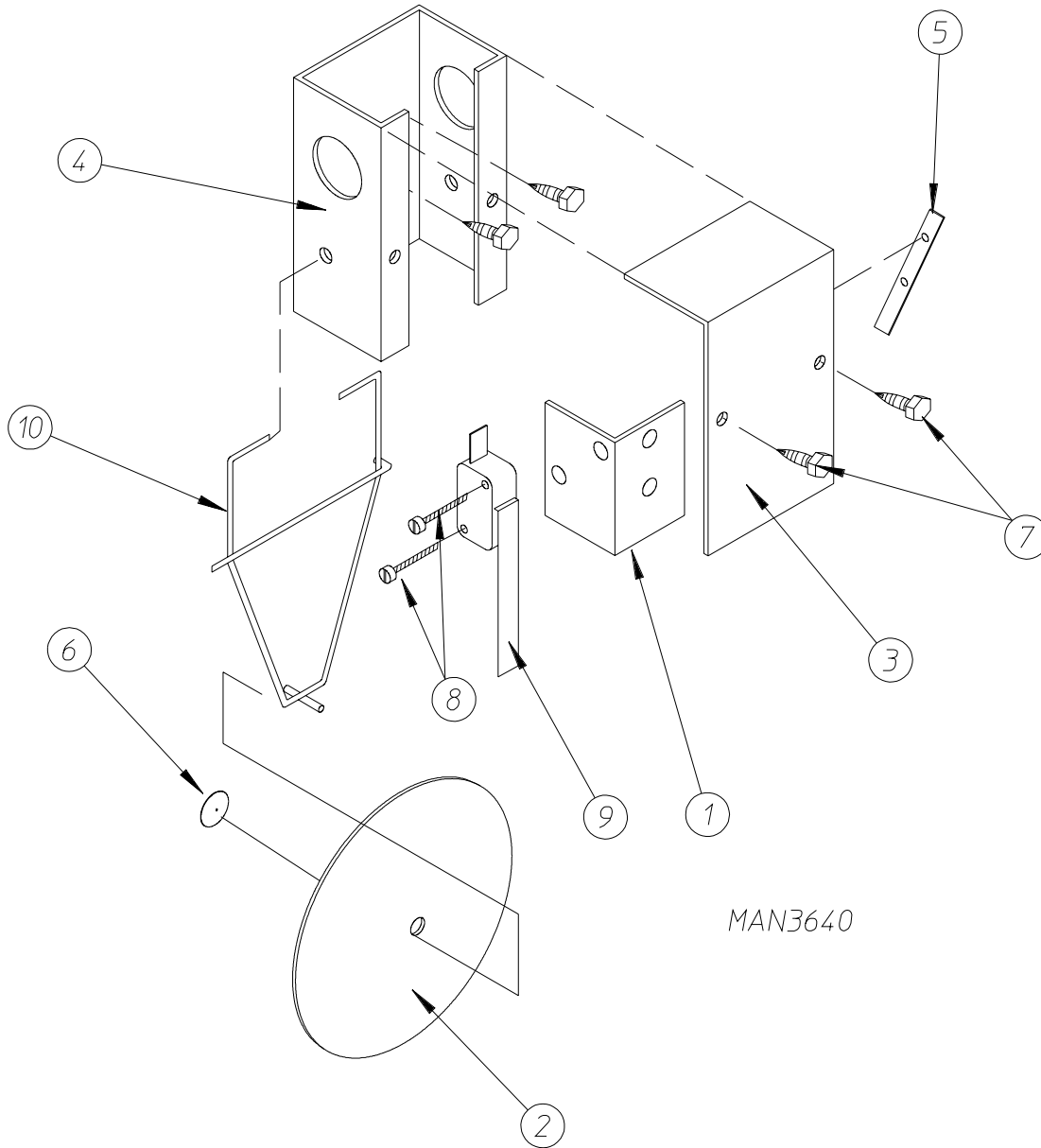


---

<u>Illus. No.</u>	<u>Part No.</u>	<u>Qty.</u>	<u>Description</u>
1	137015	1	RC Network
2	151000	2	#6-32 Pal Nut
3	150300	2	#10-16 x 1/2" Hex Washer TEK PLTD
4	150008	2	#6-32 x 1-1/4" Phillips Round Head Machine Screw
5	120701	1	4-Position Terminal Block
6	322812	1	Electric Relay Panel Mounting Plate ONLY
	881800	1	208/240 Volt - 3 $\phi$ Non-Reversing Electric Relay Panel Assembly Complete (includes illus. nos. 1 through 11, 13, and 15) For Use On Gas Models ONLY
7	-----	1	Step Down Transformer (refer <b>Step Down Transformer Usage Listing</b> on <b>page 42</b> )
8	136008	2	Fuse Holder ONLY
9	136057	2	1/2-Amp (slo blo) Fuse
10	150301	2	#8-18 x 7/16" Phillips Pan Head TEK Screw
11	150297	1	#10 x 1/2" Hex Washer TEK Screw - Green
12	152004	1	5/16-18 Hex Nut
13	121010	1	L-70 Ground Lug
14	153002	1	5/16" Lock Washer
15	132447	1	3-Pole Contactor - 24 VAC
16	121300	3	Open/Closed Bushing



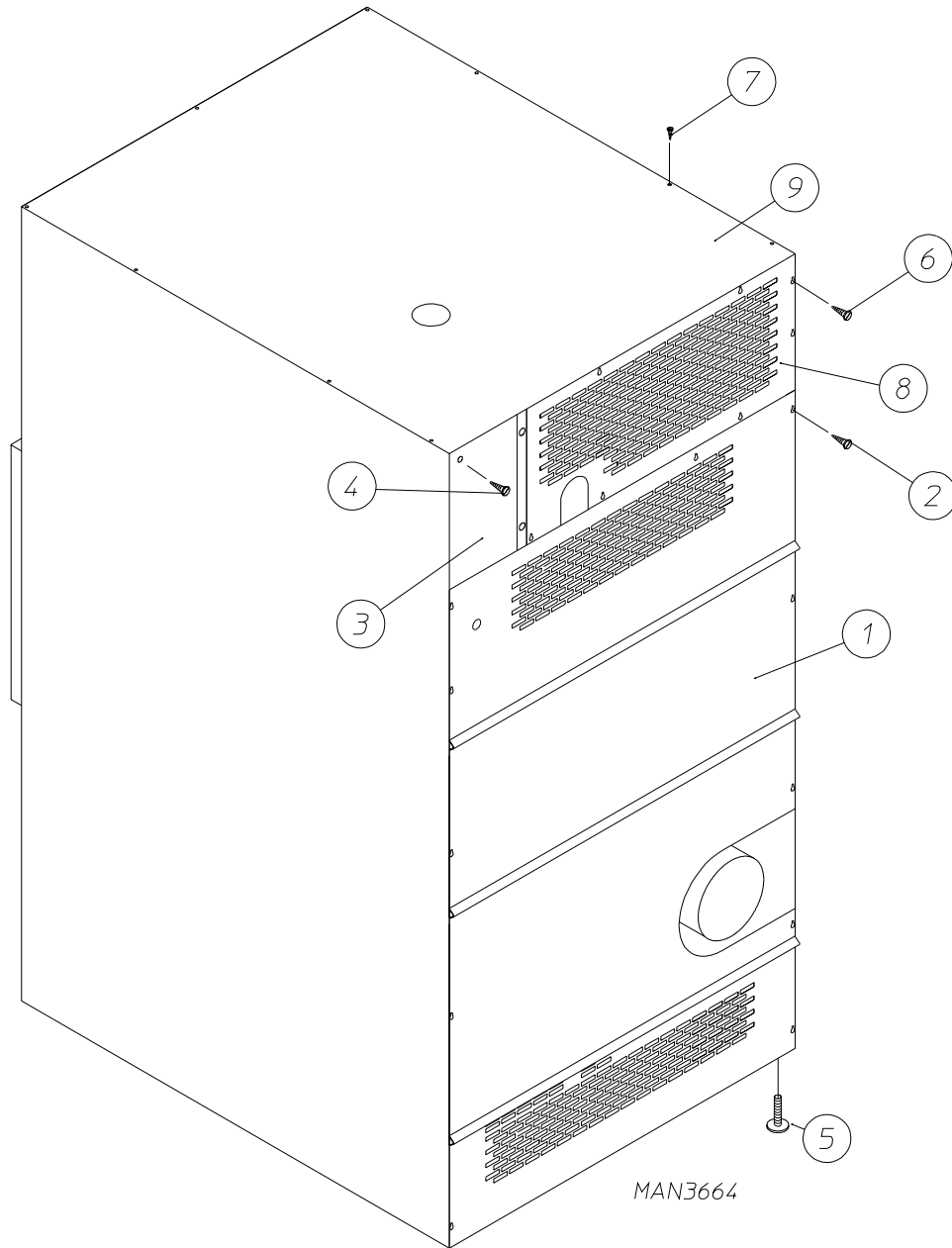
<u>Illus. No.</u>	<u>Part No.</u>	<u>Qty.</u>	<u>Description</u>
1	137060	1	Arc Suppressor (A.S.) Board
2	137013	4	Nylon Standoff
3	150300	2	#10-16 x 1/2" Hex Washer TEK PLTD
4	150008	2	#6-32 x 1-1/4" Phillips Round Head Machine Screw
5	120701	1	4-Position Terminal Block
6	132448	1	Reversing Contactor (208/230/240/380/460 volt) 24 VAC
7	-----	1	Step Down Transformer (refer <b>Step Down Transformer Usage Listing</b> on <b>page 42</b> )
8	136008	2	Fuse Holder ONLY (for 208-230/240 Volt models Only)
9	136057	2	1/2-Amp (slo blo) Fuse (for 208-230/240 Volt models Only)
10	150301	2	#8-18 x 7/16" Phillips Pan Head TEK Screw
11	150297	1	#10 x 1/2" Hex Washer TEK Screw - Green
12	152004	1	5/16-18 Hex Nut
13	121010	1	L-70 Ground Lug
14	153002	1	5/16" Lock Washer
15	132447	1	3-Pole Contactor - 24 VAC
16	322812	1	Electric Relay Panel Mounting Plate ONLY
	881764	1	208-230/240 Volt Reversing Electric Relay Panel Assembly Complete (includes illus. nos. 1 through 11, 13 through 17) For Use On Gas Models ONLY
	881766	1	380/416 Volt Reversing Electric Relay Panel Assembly Complete (includes illus. nos. 1 through 11, 13 through 17) For Use On Gas Models ONLY
	881719	1	460 Volt Reversing Electric Relay Panel Assembly Complete (includes illus. nos. 1 through 11, 13 through 17, 19, 20, and 21) For Use On Gas Models ONLY
	881755	1	208-230/240 Volt Reversing Electric Relay Panel Assembly Complete (includes illus. nos. 1 through 11, 13 through 17) For Use On Steam Models ONLY
	881765	1	380/416 Volt Reversing Electric Relay Panel Assembly Complete (includes illus. nos. 1 through 11, 13 through 17) For Use On Steam Models ONLY
17	151000	2	#6-32 Pal Nut
18	121300	3	Open/Closed Bushing
19	135501	1	1-Amp Double Pole Circuit Breaker (for 460/480 volt models Only)
20	120768	2	Din Mounting Rail (sold by the inch) For 460/480 Volt Models ONLY
21	150300	2	#10-16 x 1/2" Hex Washer TEK PLTD For 460/480 Volt Models ONLY



Illus. No.	Part No.	Qty.	Description
1	319203	1	Sail Switch Mounting Bracket
2	319202	1	Sail Switch Damper (flat)
3	319201	1	Sail Switch Box Cover
4	319200	1	Sail Switch Box
5	154004	1	Twin Speed Nut
6	154002	1	1/8" Push On Fastener
7	150309	4	#10-16 x 1/2" Hex Head TEK Crimptite Screw
8	150303	2	#4 x 3/4" Pan Head "A" Machine Screw
9	122200	1	Sail Switch ONLY
	881706	1	Sail Switch Box Assembly Complete (includes illus. nos. 1 through 10)
10	105500	1	Sail Switch Actuator Rod

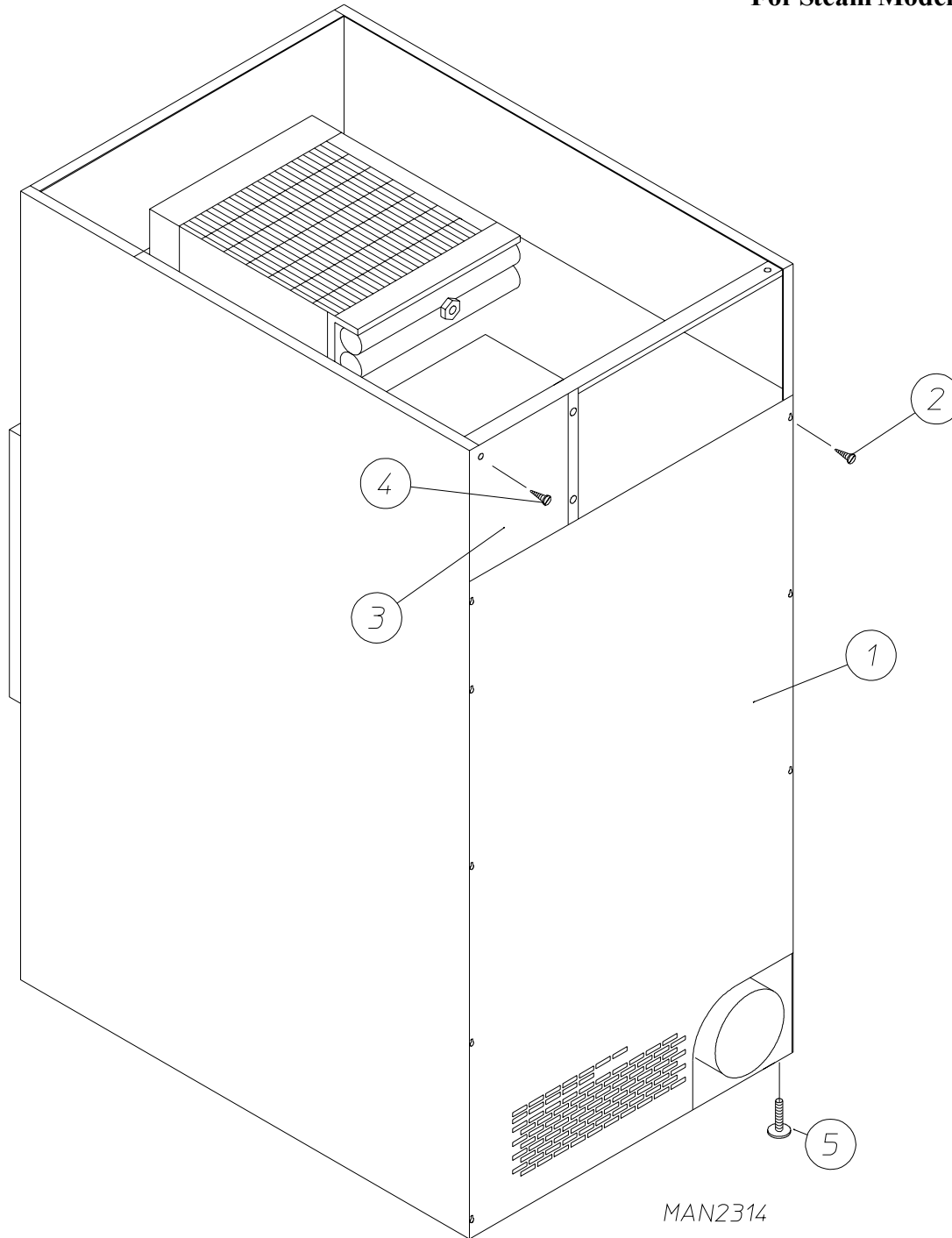


**For Gas and Electric Models ONLY**



<u>Illus. No.</u>	<u>Part No.</u>	<u>Qty.</u>	<u>Description</u>
1	314514	1	Bottom Back Guard
2	150301	12	#8-18 x 7/16" Phillips Pan Head TEK Screw
3	322809	1	Rear Electrical Box Cover
4	150301	4	#8-18 x 7/16" Phillips Pan Head TEK Screw
5	103500	4	Leveling Leg
6	150301	7	#8-18 x 7/16" Phillips Pan Head TEK Screw
7	150300	12	#10-16 x 1/2" Hex Washer TEK PLTD
8	323738	1	Top Back Guard
9	312527	1	Outer Top

For Steam Models ONLY



<u>Illus. No.</u>	<u>Part No.</u>	<u>Qty.</u>	<u>Description</u>
1	314511	1	Bottom Back Guard
2	150300	2	#10-16 x 1/2" Hex Washer TEK PLTD
	150301	8	#8-18 x 7/16" Phillips Pan Head TEK Screw
3	322809	1	Rear Electrical Box Cover
4	150301	4	#8-18 x 7/16" Phillips Pan Head TEK Screw
5	103500	4	Leveling Leg

# MLE-75

Kw	Volt	Phase	Wire	Oven Assembly* Part No.	Elements			Oven Wire			Terminal Lug		Bus Bar P/N 1210111	Oven Relay		Relay Coil Part No.
					Qty.	Size	Part No.	Qty.	Size	Part No.	Qty.	Part No.		Cat. No.	Part No.	
40	416	3ø	3 or 4	824822	6	6.6	120027	4	#6	133200	9	121010	1	DPA63	131369	N/A
36	208	3ø	3 or 4	824921	6	6	120015	4	#2	133302	4	121012	1	GEAJ	131385	131386
36	230	3ø	3	824026	6	6	120014	4	#2	133302	9	121012	1	GEAJ	131385	131386
36	416	3ø	3 or 4	824921	6	6	120015	4	#4	133300	4	121012	1	DPA43	131357	N/A
36	460/480	3ø	3 or 4	824920	6	6	120014	4	#2	133302	9	121012	1	DPA43	131357	N/A
33	380	3ø	3 or 4	824921	6	6	120015	4	#2	133302	4	121012	1	DPA43	131357	N/A
30	208	3ø	3 or 4	824918	6	5	120012	6	#4	133300	3	121012	1	FEAJ	131375	131386
30	230	3ø	3	824935	6	5	120013	3	#4	133300	4	121012	1	DPA63	131369	N/A
30	416	3ø	3 or 4	824947	6	5	120012	4	#8	133100	6	121010	2	DPA43	131357	N/A
30	460/480	3ø	3 or 4	824953	6	5	120013	4	#8	133100	6	121010	2	BEAJ	131357	N/A
25	380	3ø	3 or 4	824940	6	5	120012	4	#8	133100	6	121010	2	BEAJ	131350	131356
24	208	3ø	3 or 4	824916	6	4	120010	3	#4	133300	4	121012	1	DPA63	131369	N/A
24	230	3ø	3	824933	6	4	120011	3	#6	133200	3	121010	1	DEAJ	131365	131371
24	416	3ø	3 or 4	824946	6	4	120010	4	#8	133100	6	121010	2	BEAJ	131350	131356
24	460/480	3ø	3 or 4	824952	6	4	120011	4	#10	133000	6	121010	2	BEAJ	131350	131356
20	208	1ø	2	824904	5	4	120010	2	#4	133300	2	121010	2	GEAJ	131385	131386
20	230	1ø	2	824926	5	4	120011	2	#4	133300	3	121010	2	FEAJ	131375	131386
20	380	3ø	3 or 4	824939	6	4	120010	4	#10	133000	6	121010	2	BEAJ	131350	131356

\* Oven assembly complete *does not include* oven relay. This item **must be** ordered separately. When ordering Oven Assembly Complete, specify 3 wire or 4 wire when applicable, as well as if dryer has Microprocessor or non-Microprocessor controls.

N/A = Not Available.

<b>STEP DOWN TRANSFORMER USAGE LISTING</b>			
<b>VOLTAGE</b>	<b>WIRE SERVICE</b>	<b>ADC PART No.</b>	
		<b>GAS</b>	<b>STEAM</b>
120/208/240	2	132070	132083
208-240	3 or 4	132082	132082
380	3	132082	132082
380	4	132082	132082
416	3	132082	132082
416	4	132067	-----
460/480	3	132067	-----
460/480	4	132070	-----

**NOTE:** Each transformer requires one (1) Transformer Termination Kit (ADC Part No. 881763).

---

<u>Part No.</u>	<u>Description</u>
112039	“Black/White/Green Ground” Label
112280	“Clean Lint Screen” Label
112284	“Phase 6 OPL Program Location Summary” Label
114001	“CAUTION-Exhaust/Lint Screen” Label
114006	“WARNING - Fire Hazards” Label
120100	3/8” Straight (BX) Connector
120300	3/8” x 45° (BX) Connector
120400	3/8” Red Jacket (BX) Insulator
120500	3/8” Jiffy Clip (BX) Retainer Clip
120600	3/8” Greenfield (BX)
120800	1/4” In-Line Connector
120802	Red Butt Connector
120902	#74B Wire Nut
120903	Crimp-On Wire Nut
121014	1/4” Insulated (female) Terminal
121499	5-1/2” Harness Tie
121500	7” Harness Tie
121503	Harness Tie Mounting Clip
122804	Manometer (hydro gauge) For Measuring Gas Pressure
404502	White Brush-In-Cap Bottle Touch-Up Paint
404507	Cornflower Blue Brush-In-Cap Bottle Touch-Up Paint
880884	Basket (tumbler) Bearing Puller

ADC450173

1 - 01/26/98-50  
4 \* 09/11/00-25

2 \* 02/25/98-50  
5 \* 03/22/01-25

3 \* 05/09/00-50  
6 \* 05/23/01-25

