



ML-96
(HSI)
Parts Manual
1999/2000

American Dryer Corporation
88 Currant Road
Fall River, MA 02720-4781
Telephone: (508) 678-9000 / Fax: (508) 678-9447
E-mail: techsupport@amdry.com
www.amdry.com

Retain This Manual In A Safe Place For Future Reference

American Dryer Corporation products embody advanced concepts in engineering, design, and safety. If this product is properly maintained, it will provide many years of safe, efficient, and trouble-free operation.

ONLY qualified technicians should service this equipment.

OBSERVE ALL SAFETY PRECAUTIONS displayed on the equipment or specified in the installation manual included with the dryer.

The following “**FOR YOUR SAFETY**” caution **must be** posted near the dryer in a prominent location.

FOR YOUR SAFETY

Do not store or use gasoline or other flammable vapors or liquids in the vicinity of this or any other appliance.

POUR VOTRE SÉCURITÉ

Ne pas entreposer ni utiliser d'essence ni d'autres vapeurs ou liquides inflammables dans le voisinage de cet appareil ou de tout autre appareil.

We have tried to make this manual as complete as possible and hope you will find it useful. **ADC** reserves the right to make changes from time to time, without notice or obligation, in prices, specifications, colors, and material, and to change or discontinue models.

Important

For your convenience, log the following information:

DATE OF PURCHASE _____ **MODEL NO.** **ML-96**

RESELLER'S NAME _____

Serial Number(s) _____

Replacement parts can be obtained from your reseller or the **ADC** factory. When ordering replacement parts from the factory, you can FAX your order to **ADC** at (508) 678-9447 or telephone your order directly to the **ADC** Parts Department at (508) 678-9000. Please specify the dryer **model number** and **serial number** in addition to the **description** and **part number**, so that your order is processed accurately and promptly.

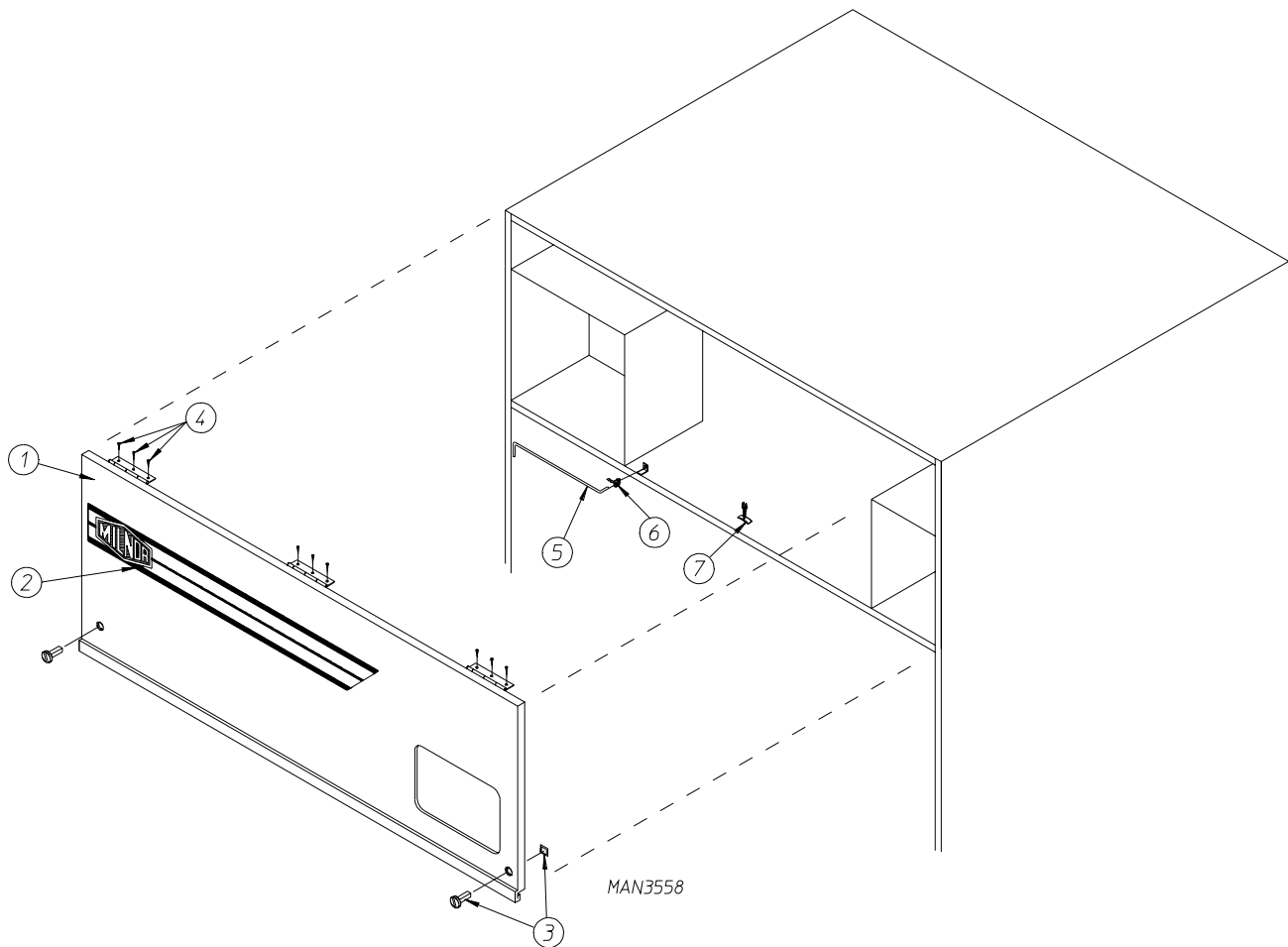
The illustrations on the following pages may not depict your particular dryer exactly. The illustrations are a composite of the various dryer models. Be sure to check the descriptions of the parts thoroughly before ordering.

“IMPORTANT NOTE TO PURCHASER”

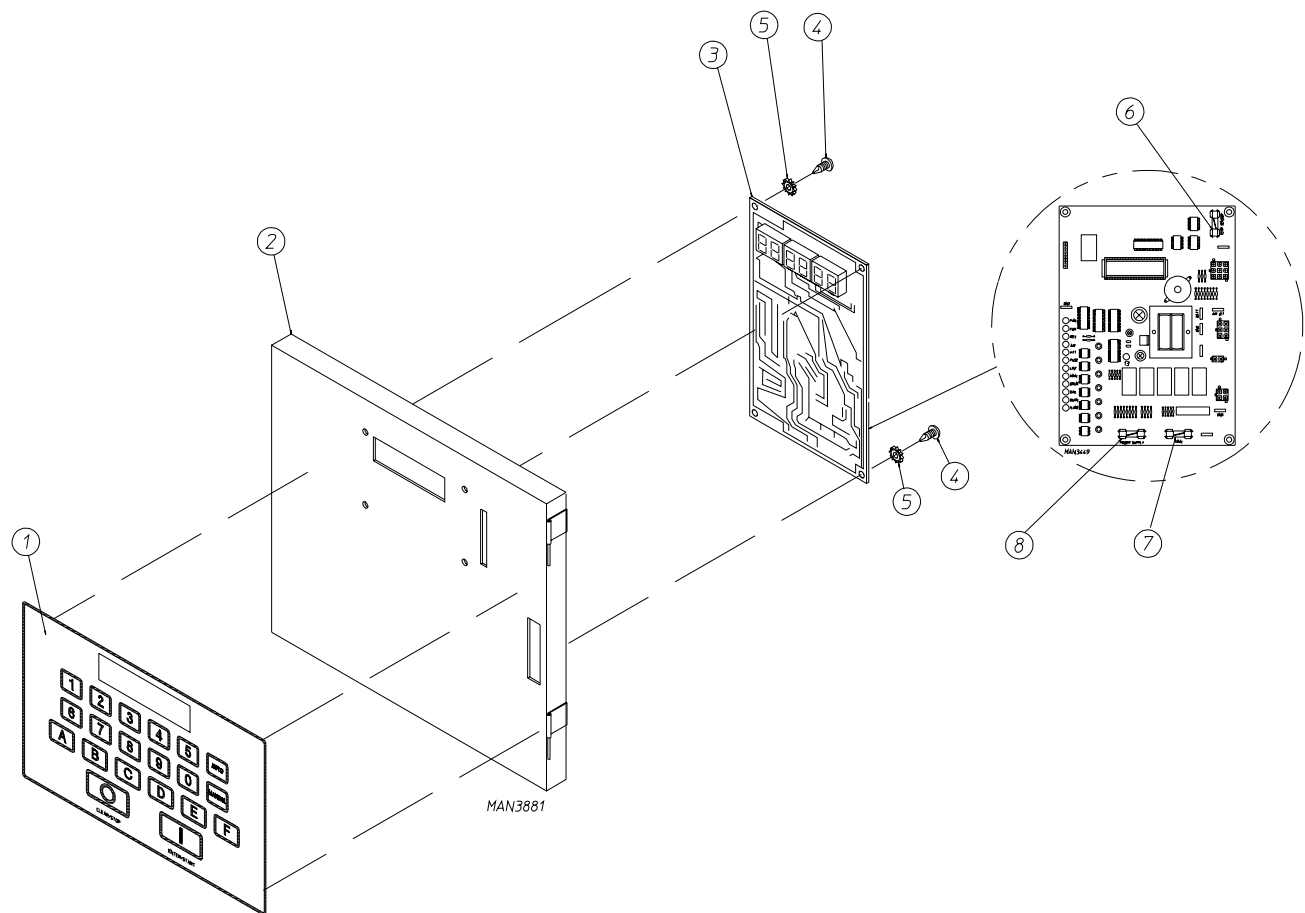
Information **must be** obtained from your local gas supplier on the instructions to be followed if the user smells gas. These instructions **must be** posted in a prominent location near the dryer.

Table of Contents

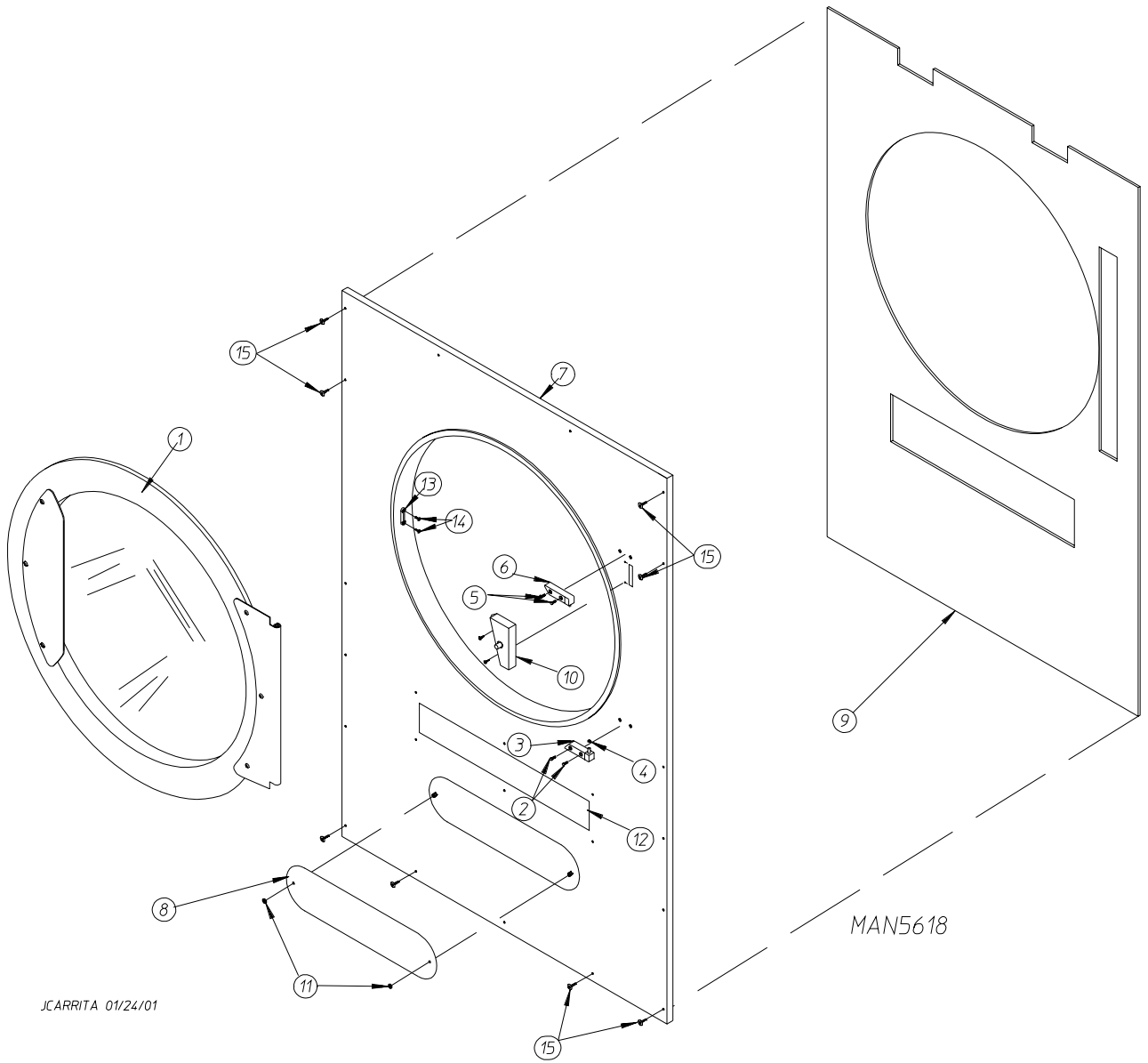
Control Door Assembly	2
Phase 6 Microprocessor Panel Assembly	3
Main Door/Front Panel Assembly	4, 5
Main Door Assembly	6, 7
Main Door Switch Assembly	8
Temperature Sensor Bracket Assembly	9
Wrapper Assembly	10
Lint Door Assembly	11
Basket (Tumbler) Assembly	12
Basket (Tumbler) Bearing Assembly	13
Idler Shaft Assembly	14
Drive Shaft Assembly	15
Drive Motor Assembly	16
Motorized Impellor (Fan) Assembly	17
Reversing Relay Panel Assembly	18
Pneumatic Valve Assembly	19
Hot Surface Ignition (HSI) Burner Assembly	20, 21
Air Jet Assembly	22
Sail Switch Assembly	23
Exhaust Collar Assembly	24



<u>Illus. No.</u>	<u>Part No.</u>	<u>Qty.</u>	<u>Description</u>
1	882246	1	White Control Door Assembly Complete (includes illus. nos. 1 and 3)
	882376	1	Wrinkle Blue Control Door Assembly Complete (includes illus. nos. 1 and 3)
	882355	1	Corvel Dry Blue Control Door Assembly Complete (includes illus. nos. 1 and 3)
	882357	1	Coral Wrinkle Blue Control Door Assembly Complete (includes illus. nos. 1 and 3)
	882359	1	Coral Blue Control Door Assembly Complete (includes illus. nos. 1 and 3)
2	112368	1	Logo ONLY
3	882541	2	Spring Turn Latch (2-piece)
4	150309	9	#10-16 x 1/2" Hex Head TEK Crimptite Screw
5	102505	1	Control Door Support Rod
6	102601	1	Control Door Retainer Clip
7	102603	1	Control Door Rod Catch



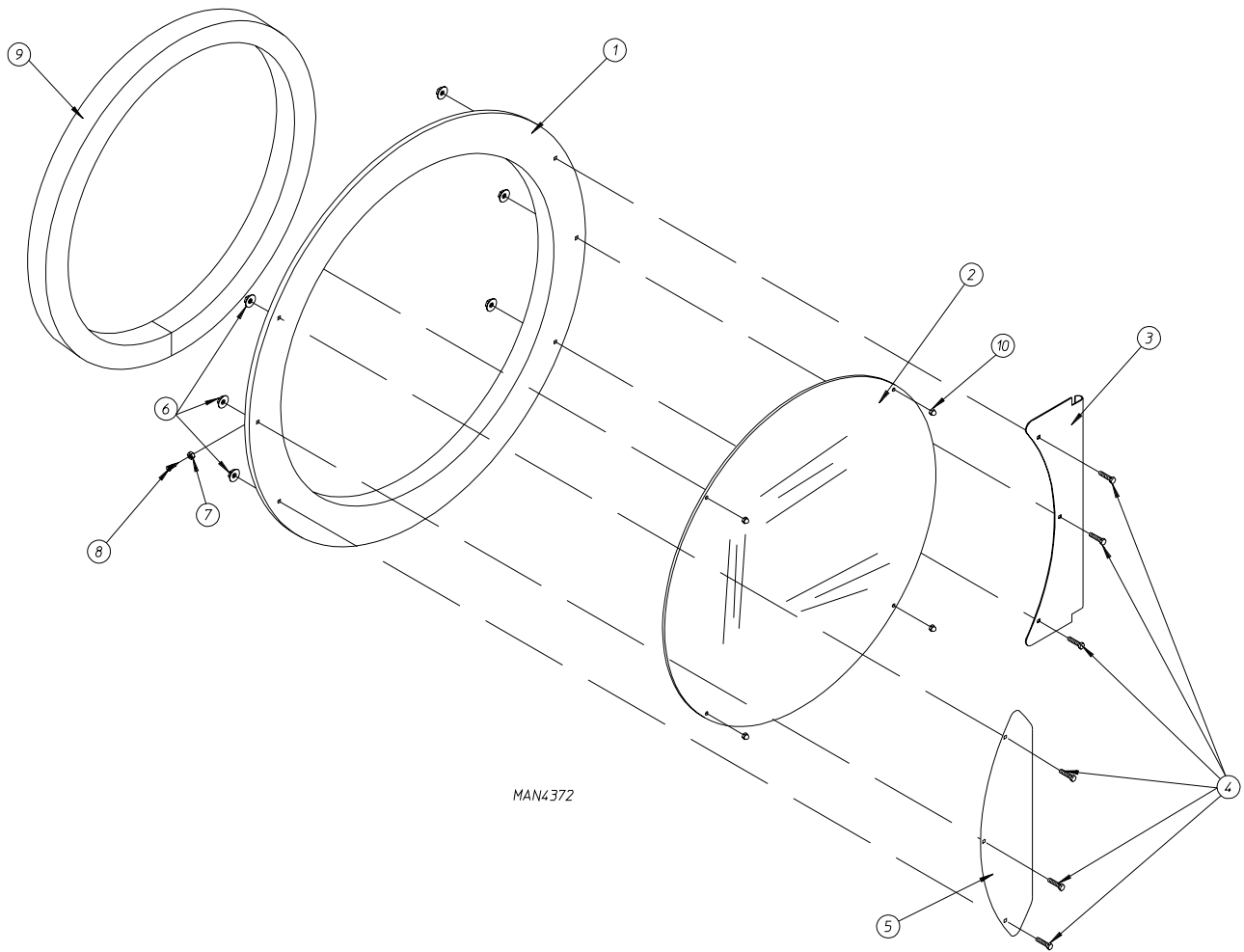
<u>Illus. No.</u>	<u>Part No.</u>	<u>Qty.</u>	<u>Description</u>
1	112537	1	Phase 6 OPL Keyboard (touch pad)
	112276	1	OPL Stick-On Labels (English Only) ... Not Illustrated
	112275	1	3-Language OPL Stick-On Labels (Spanish, Italian, and Hebrew) ... Not Illustrated
	112277	1	3-Language OPL Stick-On Labels (English, Spanish, and Hebrew) ... Not Illustrated
	112278	1	5-Language OPL Stick-On Labels (Italian, Dutch, French, German, and Chinese) ... Not Illustrated
2	824480	1	Phase 6 Microprocessor Controller (computer) Panel ONLY
3	137124	1	Phase 6 Reversing Microprocessor Controller (computer) with Air Jet (for models mfd. as of June 26, 1998)
	137122	1	Phase 6 Reversing Microprocessor Controller (computer) without Air Jet (for models mfd. prior to June 26, 1998)
4	150005	6	#6-32 x 1/4" Phillips Round Head Machine Screw
5	153010	6	#6 Star Washer
6	136048	1	1/8-Amp (slo blo) Fuse
7	136017	1	3.5-Amp (fast acting) Fuse
8	136019	1	1-Amp (fast acting) Fuse



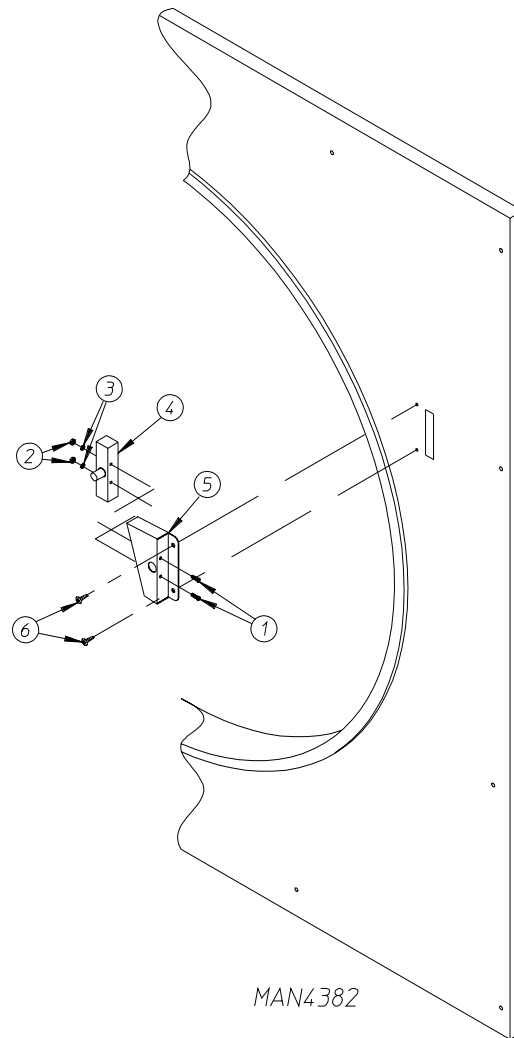
JCARRITA 01/24/01

<u>Illus. No.</u>	<u>Part No.</u>	<u>Qty.</u>	<u>Description</u>
1	-----	1	Main Door (refer to Main Door Assembly on page 6 and page 7)
2	150443	2	Socket Cap Screw
3	881441	1	White Bottom Hinge Block
	882306	1	Wrinkle Blue Bottom Hinge Block
	881735	1	Corvel Dry Blue Bottom Hinge Block
	882283	1	Coral Wrinkle Blue Bottom Hinge Block
	882335	1	Coral Blue Bottom Hinge Block
4	153031	1	Nylon Washer
5	150443	2	Socket Cap Screw
6	881440	1	White Top Hinge Block
	882307	1	Wrinkle Blue Top Hinge Block
	881736	1	Corvel Dry Blue Top Hinge Block
	882284	1	Coral Wrinkle Blue Top Hinge Block
	882334	1	Coral Blue Top Hinge Block
7	882236	1	White Front Panel (includes illus. nos. 7, 13, and 14)
	882375	1	Wrinkle Blue Front Panel Assembly (includes illus. nos. 7, 13, and 14)
	882344	1	Corvel Dry Blue Front Panel Assembly (includes illus. nos. 7, 13, and 14)
	882345	1	Coral Wrinkle Blue Front Panel Assembly (includes illus. nos. 7, 13, and 14)
	882346	1	Coral Blue Front Panel Assembly (includes illus. nos. 7, 13, and 14)
8	390227	1	Emblem
9	116326	1	Front Panel Insulation
10	-----	1	Main Door Switch (refer to Main Door Switch Assembly on page 8)
11	182507	2	1/4-20 High Crown Acorn Nut
12	-----	1	Lint Screen (refer to Lint Door Assembly on page 11)
13	881987	1	Friction Door Latch Kit (includes illus. nos. 13 and 14)
14	154215	2	5/32 x 1/4" Rivet
15	150317	20	#10-16 x 3/4" TORX Plus BTN Type 1 (for models mfd. as of September 29, 2000)
	150318	*	25 IP Stick Fit TORX Plus Bit (needed for removal of P/N 150317)
	150311	20	#10-16 x 3/4" Phillips Hex Head Screw (for models mfd. prior to September 29, 2000)

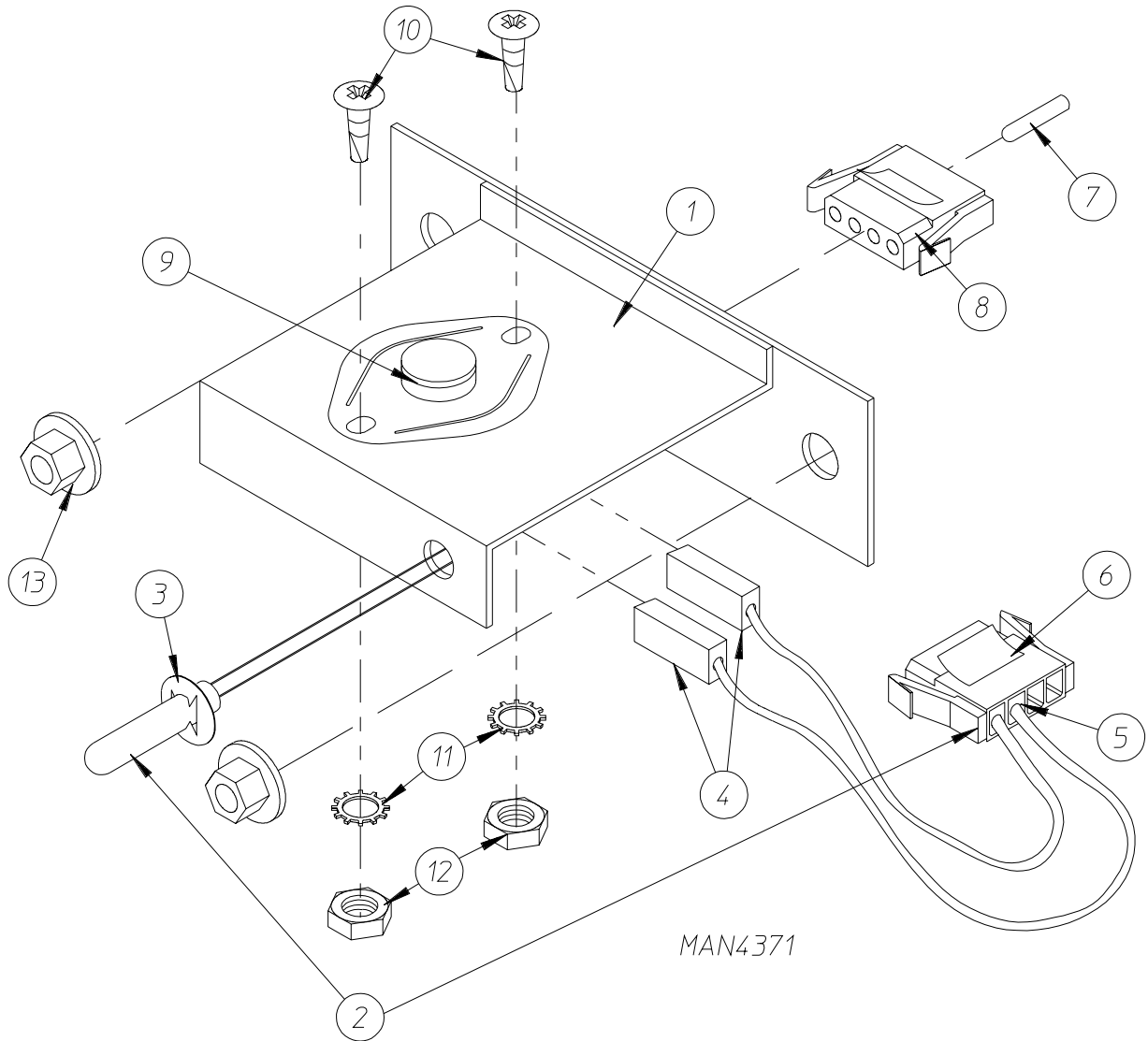
* As required.



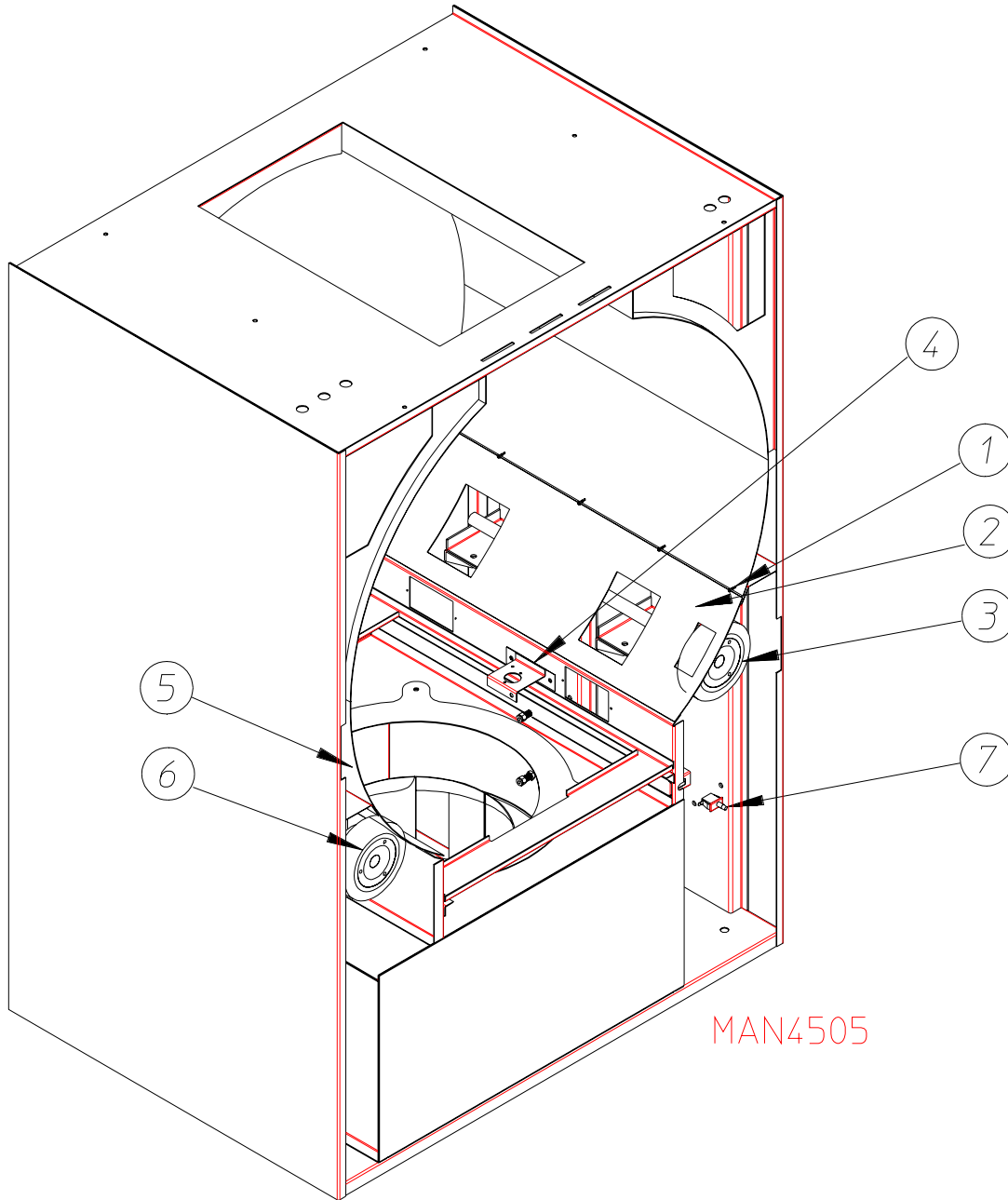
<u>Illus. No.</u>	<u>Part No.</u>	<u>Qty.</u>	<u>Description</u>
1	881968	1	White Cold Rolled Steel (CRS) Main Door Assembly (includes illus. nos. 1 through 10)
	882308	1	Wrinkle Blue Cold Rolled Steel (CRS) Main Door Assembly (includes illus. nos. 1 through 10)
	881761	1	Corvel Dry Blue Cold Rolled Steel (CRS) Main Door Assembly (includes illus. nos. 1 through 10)
	882292	1	Coral Wrinkle Blue Cold Rolled Steel (CRS) Main Door Assembly (includes illus. nos. 1 through 10)
	882353	1	Coral Blue Cold Rolled Steel (CRS) Main Door Assembly (includes illus. nos. 1 through 10)
	881966	1	White Cold Rolled Steel (CRS) Large Main Door Ring (white)
	882309	1	Wrinkle Blue Cold Rolled Steel (CRS) Large Main Door Ring
	881756	1	Corvel Dry Blue Cold Rolled Steel (CRS) Large Main Door Ring
	882305	1	Coral Wrinkle Blue Cold Rolled Steel (CRS) Large Main Door Ring
	882343	1	Coral Blue Cold Rolled Steel (CRS) Large Main Door Ring
2	102214	1	30" Main Door Glass
3	881685	1	White Main Door Hinge
	882310	1	Wrinkle Blue Main Door Hinge
	881757	1	Corvel Dry Blue Main Door Hinge
	882296	1	Coral Wrinkle Blue Main Door Hinge
	882336	1	Coral Blue Main Door Hinge
4	881740	6	1/4-20 x 5/8" White Carriage Bolt
	882311	6	1/4-20 Carriage Bolt (wrinkle blue)
	881739	6	1/4-20 Carriage Bolt (corvel dry blue)
	882339	6	1/4-20 Carriage Bolt (coral wrinkle blue)
	882336	6	Coral Blue Main Door Hinge
5	881688	1	White Main Door Handle
	882312	1	Wrinkle Blue Main Door Handle
	881737	1	Corvel Dry Blue Main Door Handle
	882295	1	Coral Wrinkle Blue Main Door Handle
	882337	1	Coral Blue Main Door Handle
6	881806	6	1/4-20 Free Spin Wash Nut (white)
	882313	6	1/4-20 Free Spin Wash Nut (wrinkle blue)
	881807	6	1/4-20 Free Spin Wash Nut (corvel dry blue)
	882293	6	1/4-20 Free Spin Wash Nut (coral wrinkle blue)
	882342	6	1/4-20 Free Spin Wash Nut (coral blue)
7	152008	1	#10-32 Hex Nut
8	150120	1	Door Latch Screw
9	882411	1	7/8" x 7/8" x 104" Door Gasket
10	151012	4	#10-32 Nylon Acorn Nut (white)



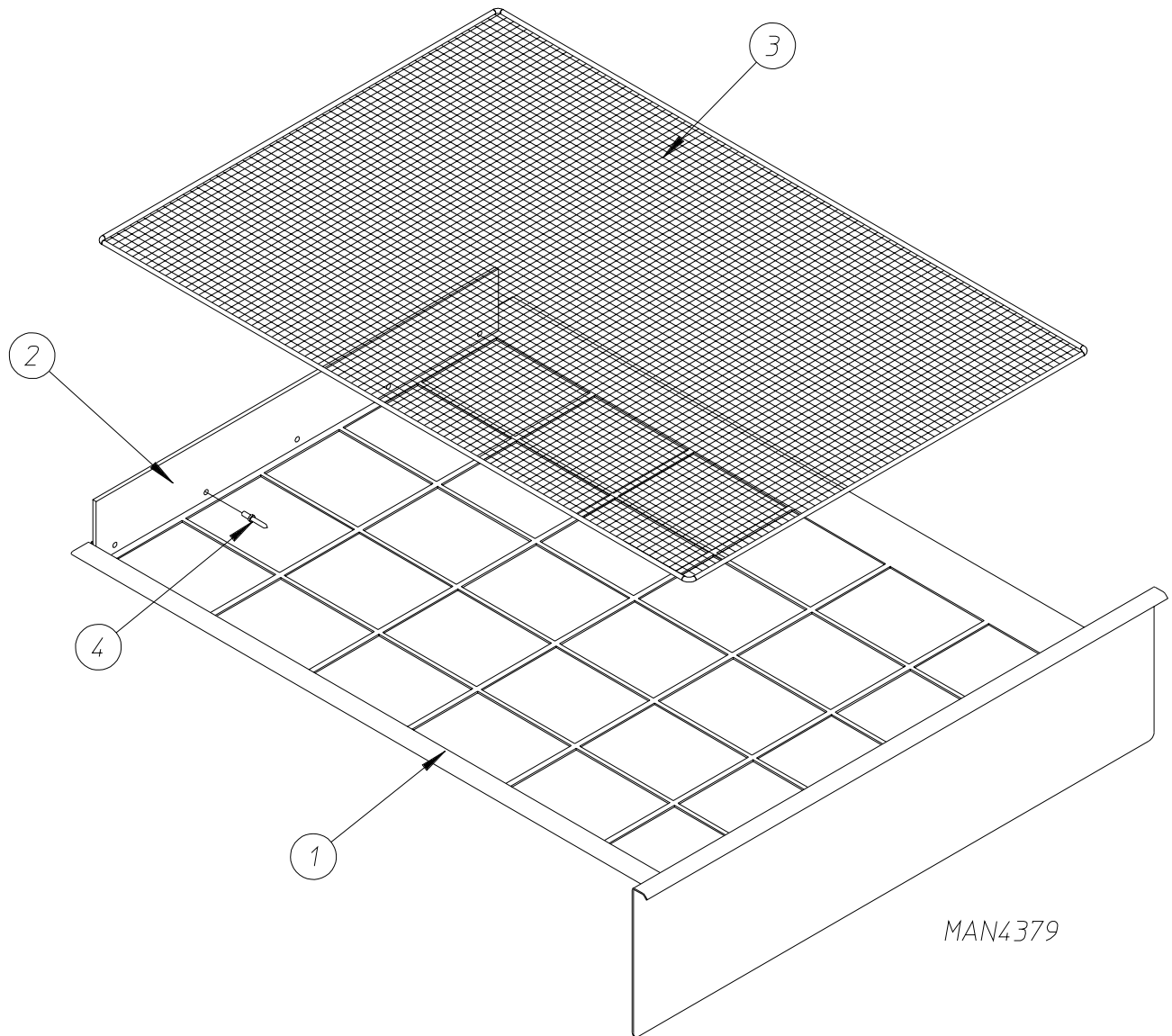
<u>Illus. No.</u>	<u>Part No.</u>	<u>Qty.</u>	<u>Description</u>
1	150006	2	#6-32 x 7/8" Phillips Pan Head Machine Screw
2	152013	2	#6-32 Hex Nut
3	153010	2	#6 Star Washer
4	137005	1	Main Door Switch ONLY
5	881702	1	White Main Door Switch Housing Assembly Complete (includes illus. nos. 1 through 5)
	882314	1	Wrinkle Blue Main Door Switch Housing Assembly (includes illus. nos. 1 through 5)
	881700	1	Corvel Dry Blue Main Door Switch Housing Assembly (includes illus. nos. 1 through 5)
	882298	1	Coral Wrinkle Blue Main Door Switch Housing Assembly (includes illus. nos. 1 through 5)
	882341	1	Coral Blue Main Door Switch Housing Assembly (includes illus. nos. 1 through 5)
	881687	1	White Main Door Switch Housing ONLY
	882315	1	Wrinkle Blue Main Door Switch Housing ONLY
	881695	1	Corvel Dry Blue Main Door Switch Housing ONLY
	882291	1	Coral Wrinkle Blue Main Door Switch Housing ONLY
	882338	1	Coral Blue Main Door Switch Housing ONLY
6	150301	2	#8-18 x 7/16" Phillips Pan Head TEK Screw



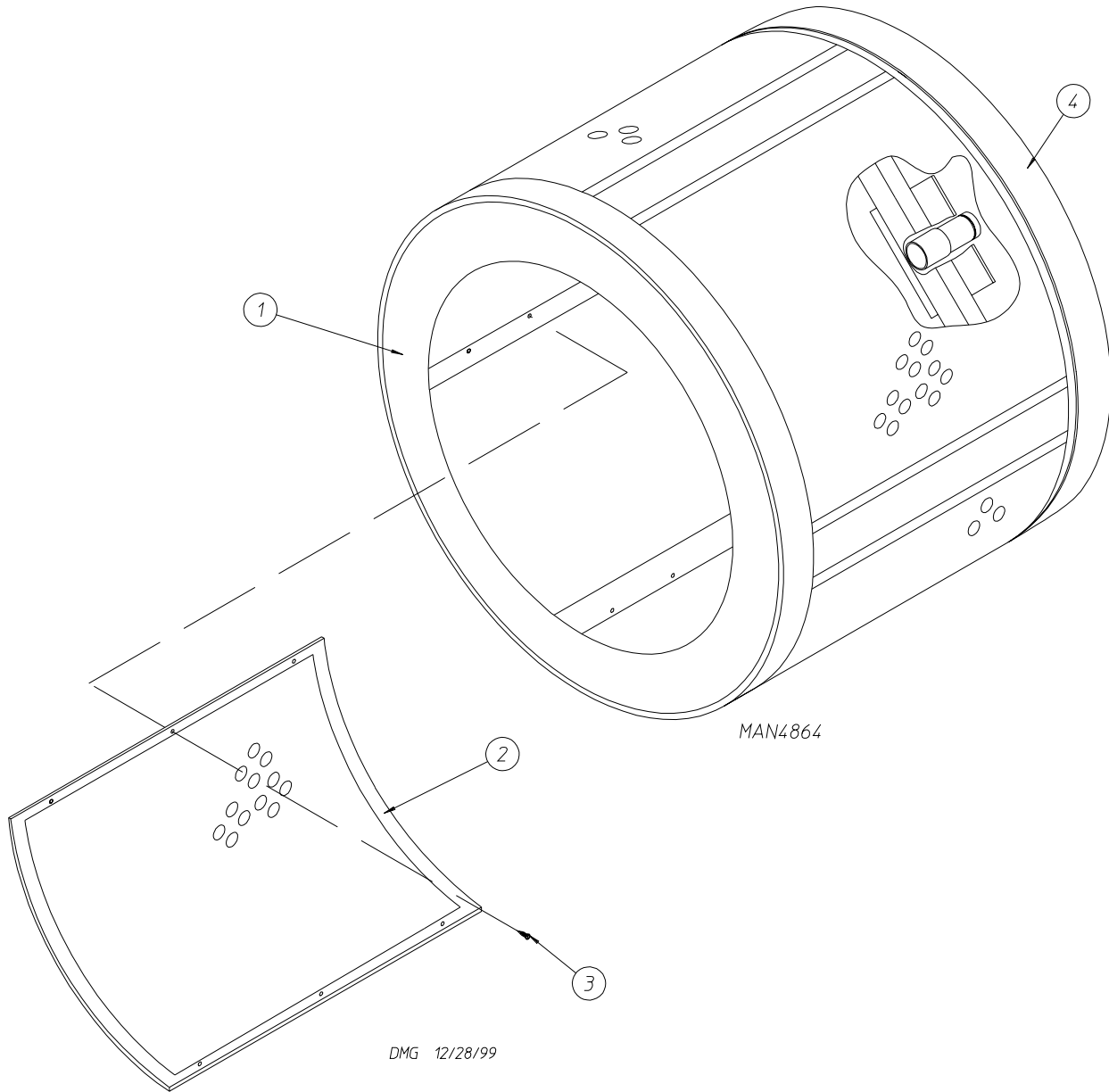
<u>Illus. No.</u>	<u>Part No.</u>	<u>Qty.</u>	<u>Description</u>
1	859372	1	Temperature Sensor Bracket Complete (includes illus. nos. 1 through 6 and 9 through 12)
	881089	1	Sensor Bracket
2	880252	1	4" Temperature Sensor Probe Assembly
3	154007	2	1/4" Push On Fastener
4	121028	1	1/4" Terminal
5	122701	4	Socket Terminal ONLY
6	122605	1	4-Position Female Connector
7	122700	4	Pin Terminal ONLY
8	122604	1	4-Position Male Connector
9	130302	1	225° Thermostat
10	150005	2	#6-32 x 1/4" Phillips Round Head Machine Screw
11	153010	2	#6 Star Washer
12	152013	2	#6-32 Hex Nut
13	152014	2	1/4-20 Free Spin Wash Nut



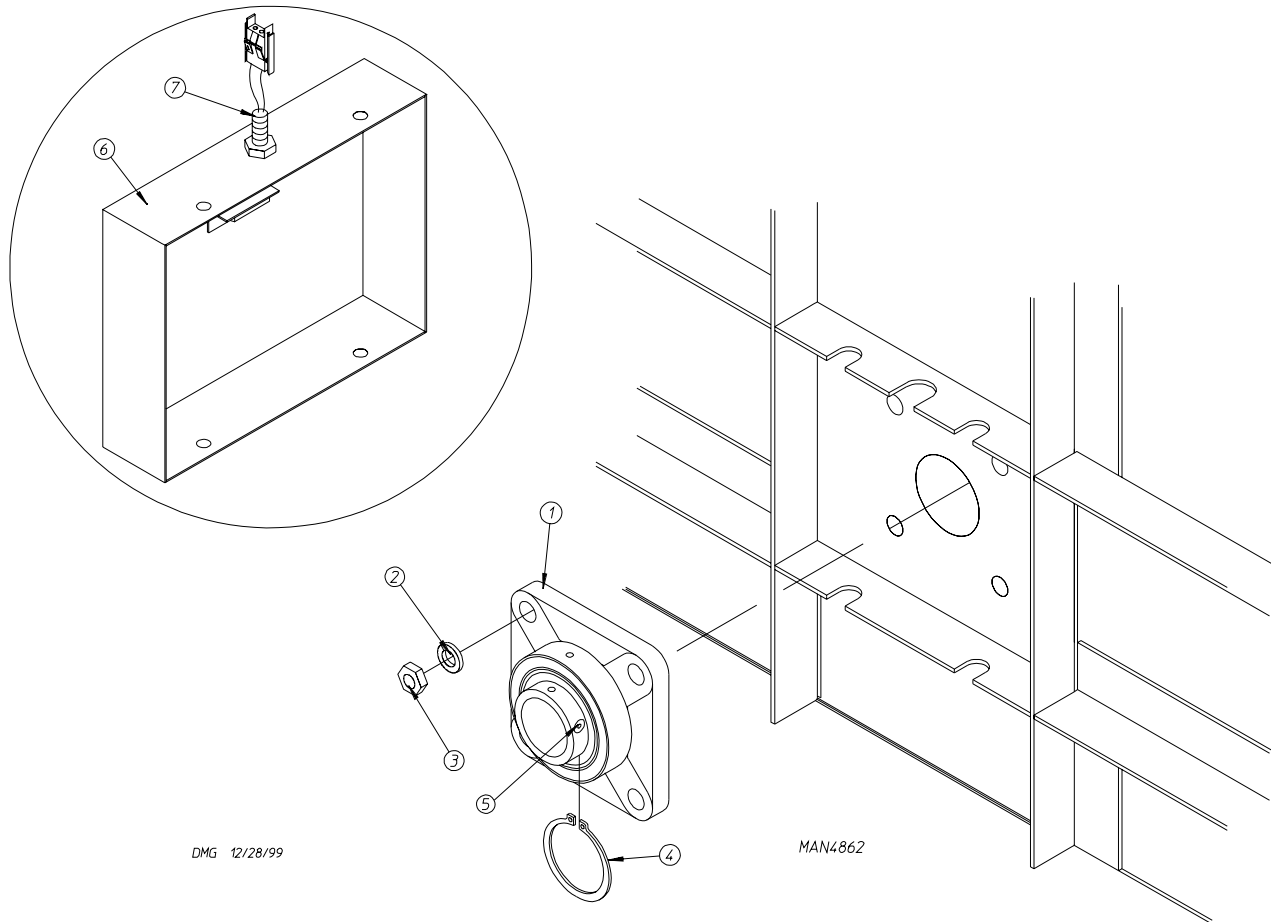
<u>Illus. No.</u>	<u>Part No.</u>	<u>Qty.</u>	<u>Description</u>
1	150309	20	#10-16 x 1/2" Hex Head TEK Crimptite Screw
2	859367	1	Bottom Right Wrapper
3	-----	1	Idler Shaft (refer to Idler Shaft Assembly on page 14)
4	-----	1	Temperature Sensor Bracket (refer to Temperature Sensor Bracket Assembly on page 9)
5	859368	1	Bottom Left Wrapper
6	-----	1	Drive Shaft (refer to Drive Shaft Assembly on page 15)
7	122116	1	Lint Door Switch - 24 VAC



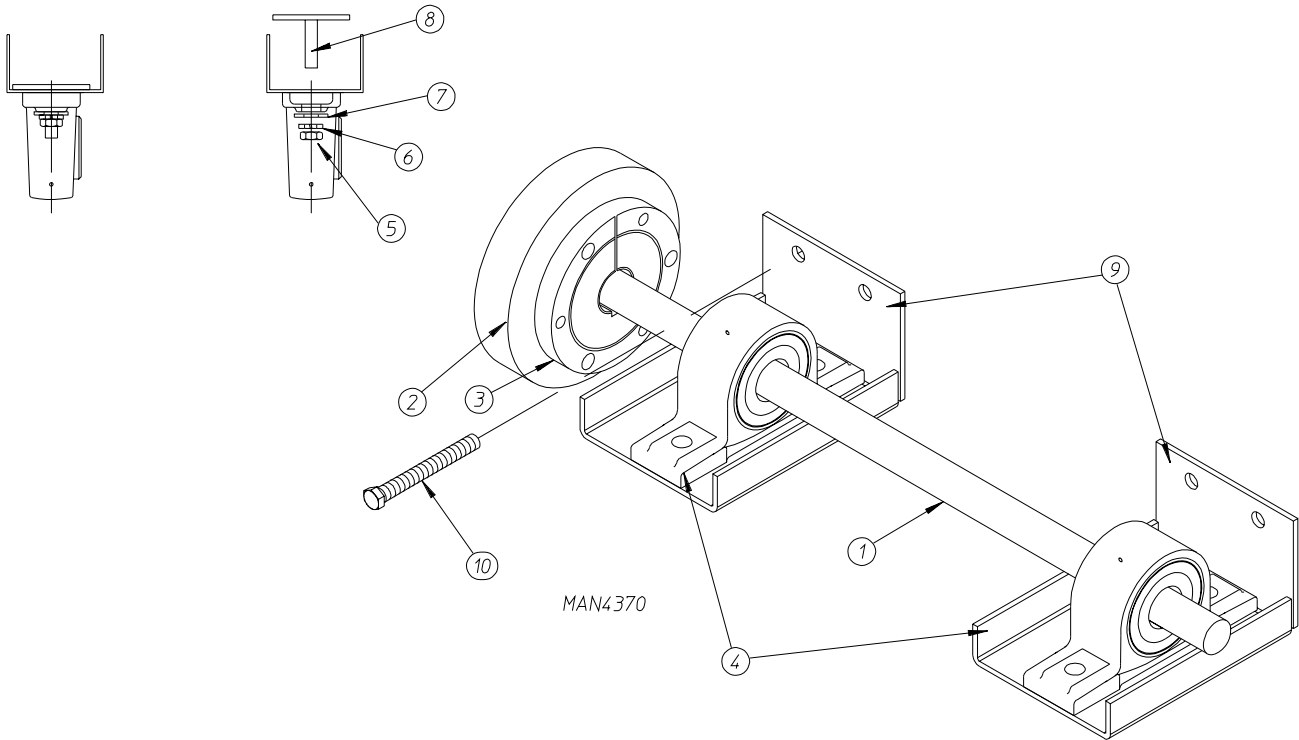
<u>Illus. No.</u>	<u>Part No.</u>	<u>Qty.</u>	<u>Description</u>
1	882347	1	White Lint Drawer Assembly (includes illus. nos. 1, 2, and 4)
	882378	1	Wrinkle Blue Lint Drawer Assembly (includes illus. nos. 1, 2, and 4)
	882348	1	Corvel Dry Blue Lint Drawer Assembly (includes illus. nos. 1, 2, and 4)
	882349	1	Coral Wrinkle Blue Lint Drawer Assembly (includes illus. nos. 1, 2, and 4)
	882350	1	Coral Blue Lint Drawer Assembly (includes illus. nos. 1, 2, and 4)
2	115902	1	Lint Basket Felt
3	882210	1	Lint Screen Assembly
4	154215	5	5/32 x 1/4" Rivet



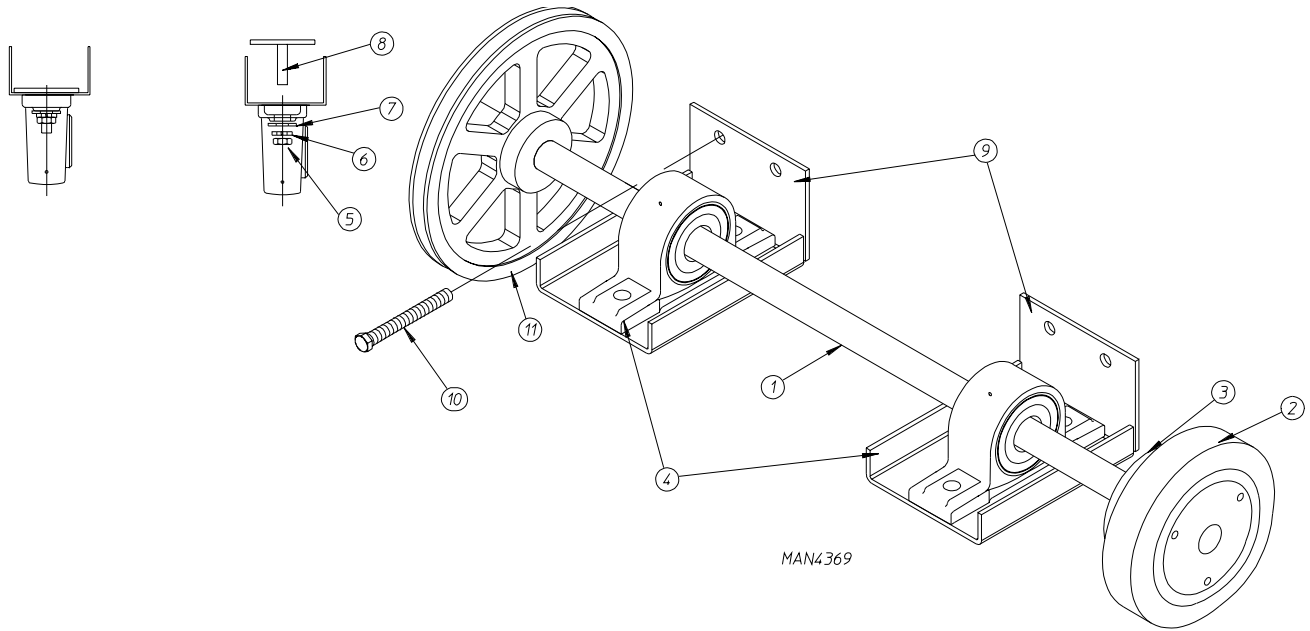
<u>Illus. No.</u>	<u>Part No.</u>	<u>Qty.</u>	<u>Description</u>
1	859342	1	Basket (tumbler) Assembly Complete (includes illus. nos. 1 through 3)
2	882234	4	Perforated Basket (tumbler) Panel
3	150123	24	1/4-20 x 1/4" Socket Button Head Cap Screw
4	116004	1	Felt Collar 131-1/2 x 2-1/2 x 1/8
-	170730	1	10.3 oz. Clear Glass Adhesive



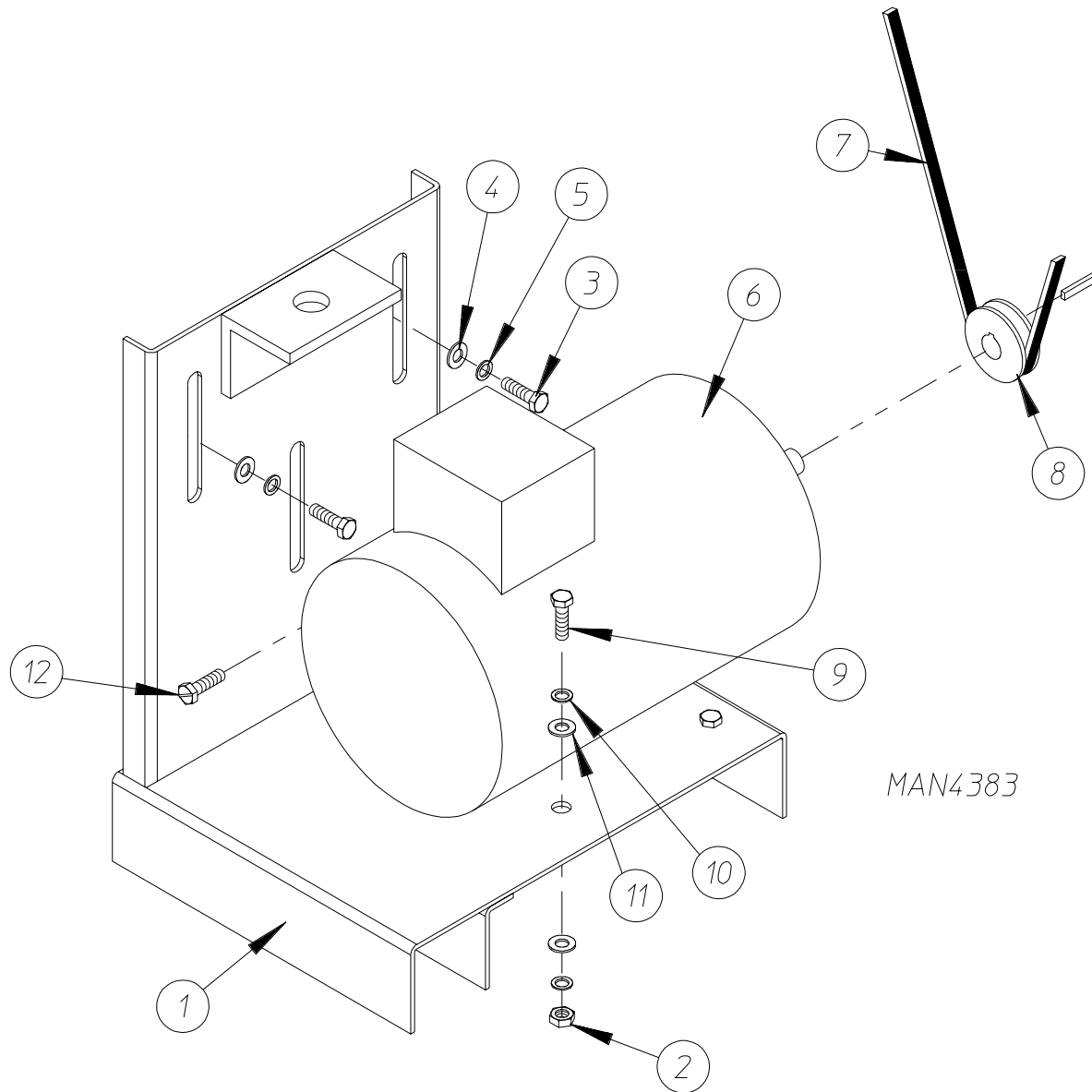
<u>Illus. No.</u>	<u>Part No.</u>	<u>Qty.</u>	<u>Description</u>
1	882244	1	1-3/4" Flange Bearing (includes illus. nos. 1 and 5)
2	153025	4	9/16" Lock Washer
3	152050	4	9/16-12 Hex Nut
4	100816	1	1-3/4" E-Clip Retaining Ring
5	102120	1	Rotational Sensor Magnet
6	882333	1	White Bearing/Rotational Sensor Cap
	882382	1	Wrinkle Blue Bearing/Rotational Sensor Cap
	882330	1	Corvel Dry Blue Bearing/Rotational Sensor Cap
	882331	1	Coral Wrinkle Blue Bearing/Rotational Sensor Cap
	882332	1	Coral Blue Bearing/Rotational Sensor Cap
7	824807	1	Rotational Sensor ONLY



<u>Illus. No.</u>	<u>Part No.</u>	<u>Qty.</u>	<u>Description</u>
1	859328	1	Idler Shaft Assembly Complete (includes illus. nos. 1 through 10)
	390232	1	Idler Shaft ONLY
2	180037	1	6" Wheel
3	180038	1	1" Taper Lock Bushing
4	880205	2	1" Pillow Block Bearing
5	152004	4	5/16-18 Hex Nut
6	153002	4	5/16" Lock Washer
7	153001	4	5/16" Flat Washer
8	859008	2	Bearing Bolt Plate Assembly
9	859327	2	Bearing Pad
10	150509	4	5/16-18 x 3" Tap Bolt

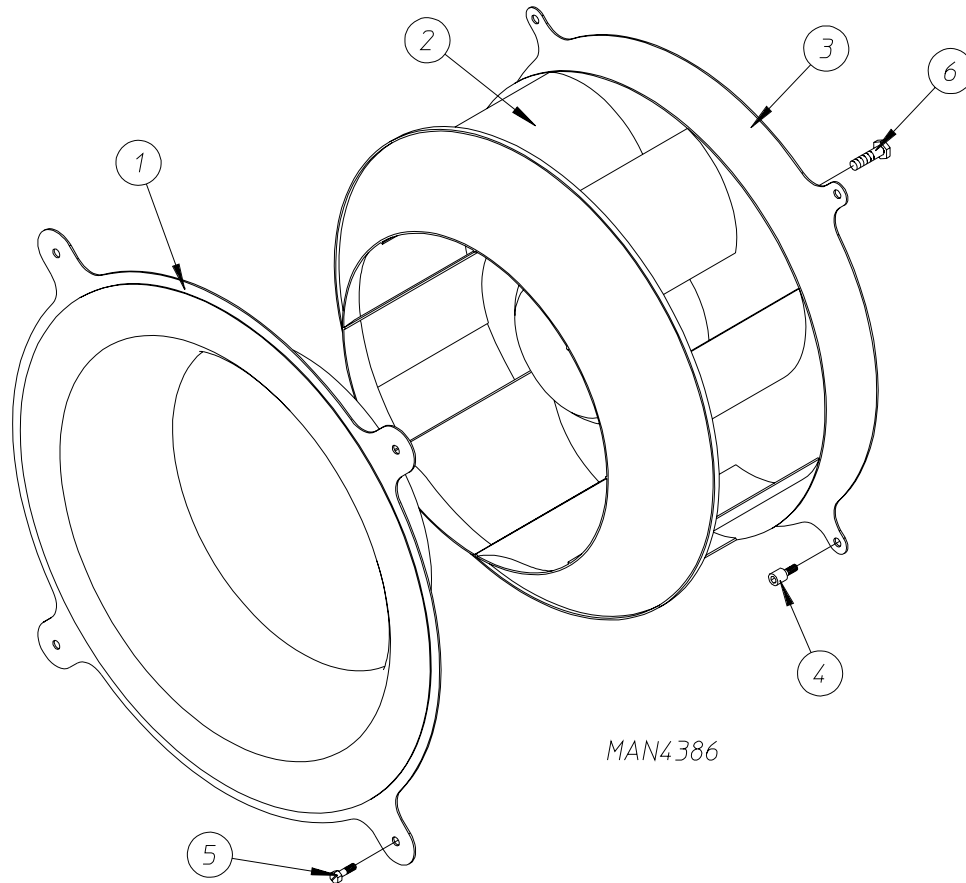


<u>Illus. No.</u>	<u>Part No.</u>	<u>Qty.</u>	<u>Description</u>
1	859329	1	Drive Shaft Assembly Complete (includes illus. nos. 1 through 11)
	390243	1	Drive Shaft ONLY
2	180037	1	6" Wheel
3	180038	1	1" Taper Lock Bushing
4	880205	2	1" Pillow Block Bearing
5	152004	4	5/16-18 Hex Nut
6	153002	4	5/16" Lock Washer
7	153001	4	5/16" Flat Washer
8	859008	2	Bearing Bolt Plate Assembly
9	859327	2	Bearing Pad
10	150509	4	5/16-18 x 3" Tap Bolt
11	101209	1	9" Pulley

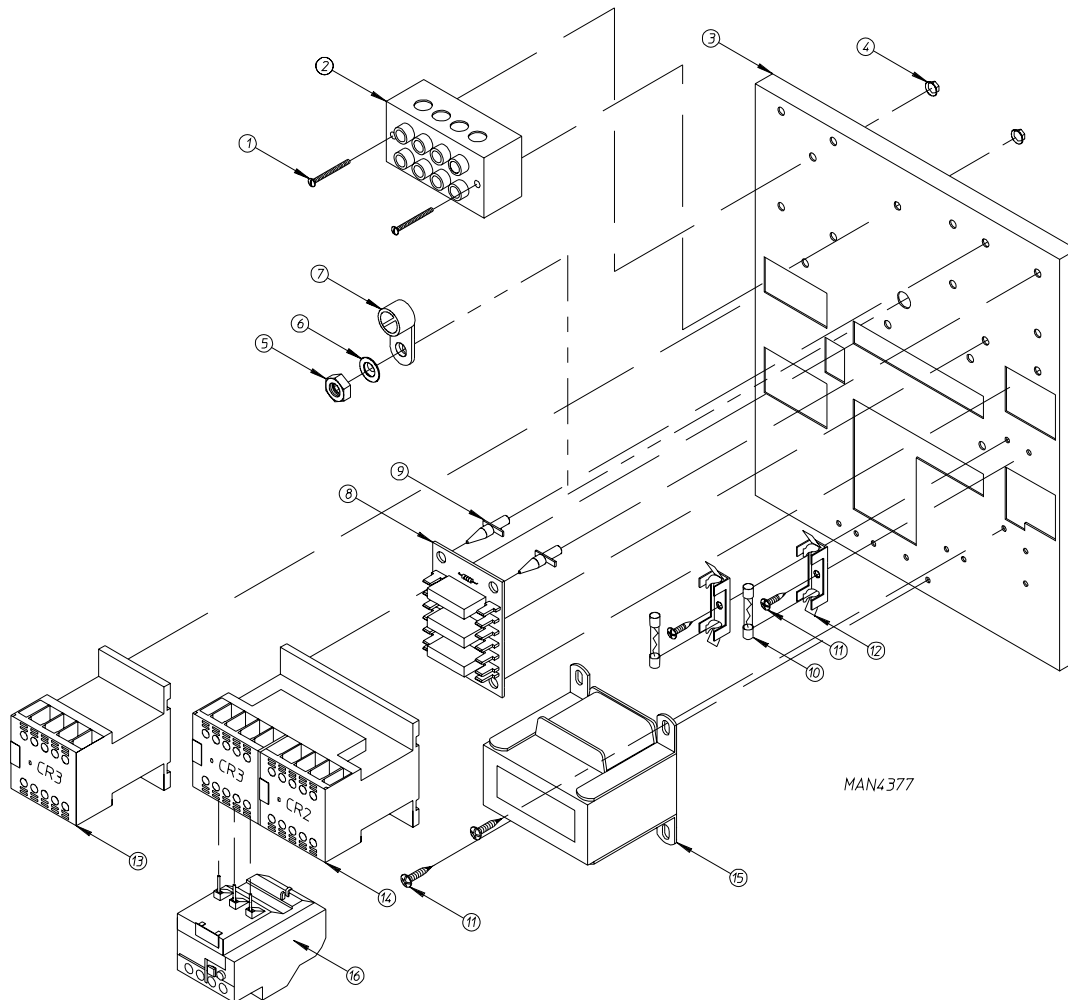


MAN4383

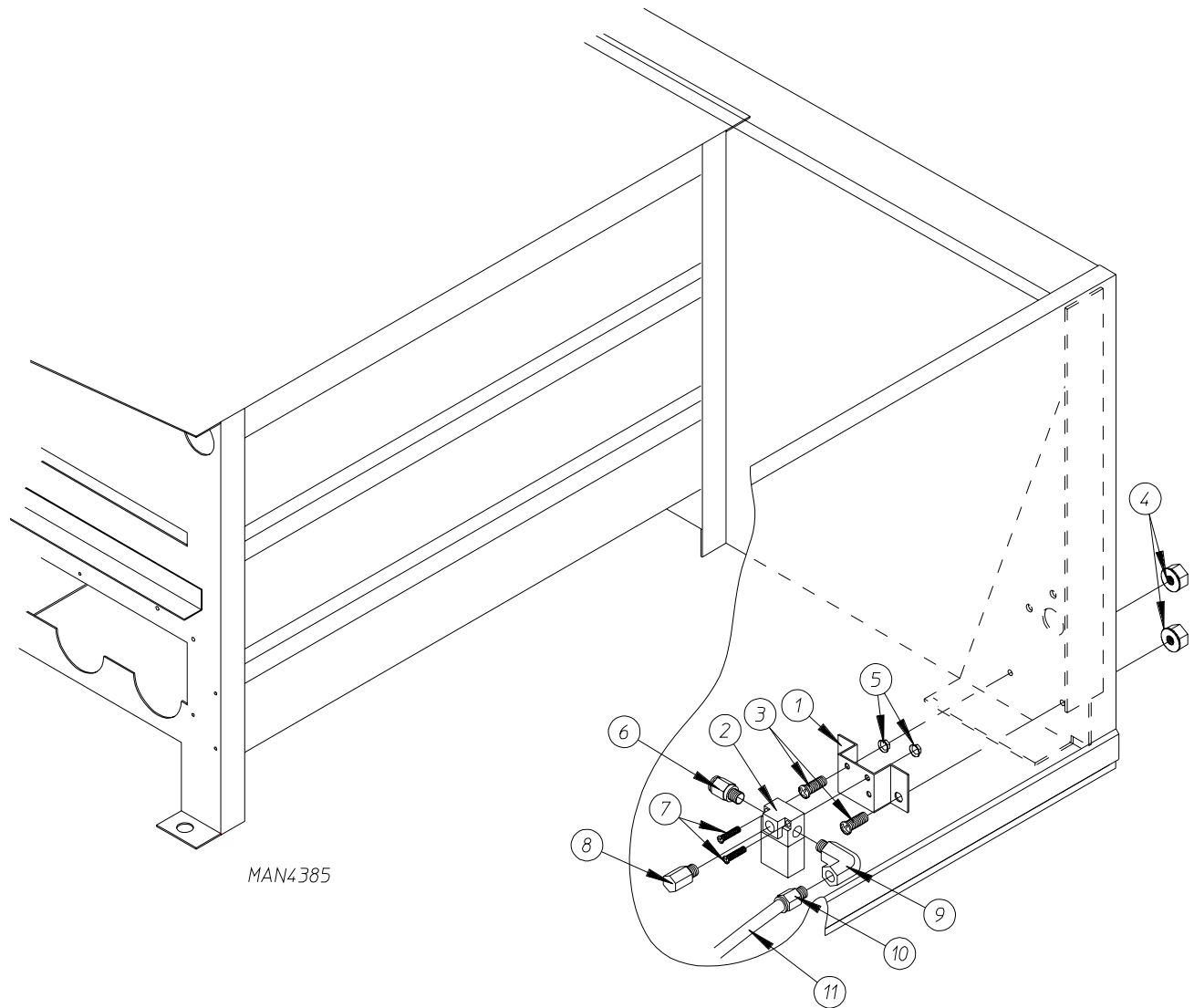
<u>Illus. No.</u>	<u>Part No.</u>	<u>Qty.</u>	<u>Description</u>
1	882245	1	Motor Mount Assembly Complete (includes illus. nos. 1, 2, 6, and 9 through 11)
	882237	1	Motor Mount ONLY
2	152004	4	5/16-18 Hex Nut
3	150501	3	5/16-18 x 3/4" Tap Bolt
4	153001	3	5/16" Flat Washer
5	153002	3	5/16" Lock Washer
6	181106	1	1/2 HP 208-480v 3ø 50/60 Hz Motor
7	100174	1	AX-53 Cogged V-Belt
8	101132	1	5/8" x 2" Motor Pulley
9	150501	4	5/16-18 x 3/4" Tap Bolt
10	153002	8	5/16" Lock Washer
11	153001	8	5/16" Flat Washer
12	150523	1	1/4-20 x 3/4" Hex Washer Machine Bolt



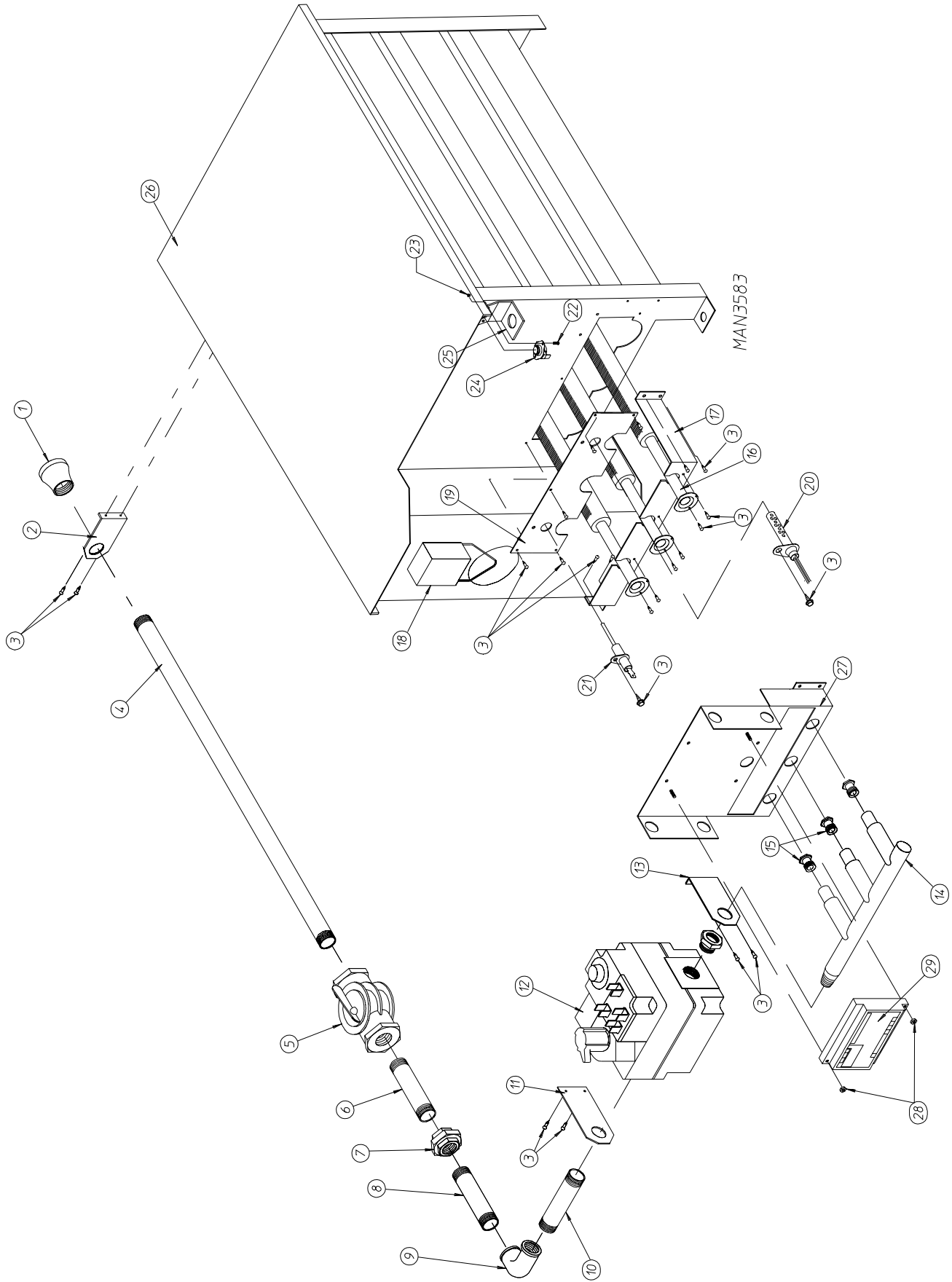
<u>Illus. No.</u>	<u>Part No.</u>	<u>Qty.</u>	<u>Description</u>
1	882319	1	White Coop Cone
	882380	1	Wrinkle Blue Coop Cone
	882324	1	Corvel Dry Blue Coop Cone
	882328	1	Coral Wrinkle Blue Coop Cone
	882329	1	Coral Blue Coop Cone
2	100617	1	Motorized Impellor (fan) - 208 Volt 60 Hz ONLY
	100622	1	Motorized Impellor (fan) - 230 Volt 60 Hz ONLY
	100619	1	Motorized Impellor (fan) - 230/400 Volt 50 Hz ONLY 460/480 Volt 60 Hz ONLY
	859363	1	Motorized Impellor (fan) Assembly Complete - 208 Volt 60 Hz (includes illus. nos. 1, 2, 3, and 6)
	859361	1	Motorized Impellor (fan) Assembly Complete - 230 Volt 60 Hz (includes illus. nos. 1, 2, 3, and 6)
3	882323	1	White Motor Plate
	882379	1	Wrinkle Blue Motor Plate
	882325	1	Corvel Dry Blue Motor Plate
	882326	1	Coral Wrinkle Blue Motor Plate
	882327	1	Coral Blue Motor Plate
4	150511	4	1/4-20 x 1" Hex Head Machine Bolt
5	150512	4	1/4-20 x 1/2" Hex Head Machine Bolt
6	154335	8	M10 x 16 Metric Bolt



Illus. No.	Part No.	Qty.	Description
1	150008	2	#6-32 x 1-1/4 Phillips Round Head Machine Screw
2	120701	1	4-Position Terminal Block
3	859356	1	208 Volt Reversing Relay Panel Assembly Complete (includes illus. nos. 1 through 4 and 8 through 15)
	323743	1	Reversing Relay Panel ONLY
4	151000	1	#6-32 Pal Nut
5	152004	1	5/16-18 Hex Nut
6	153002	1	5/16" Lock Washer
7	121012	1	Ground Lug
8	137060	1	Arc Suppressor (A.S.) Board
9	137013	4	Nylon Standoff
10	136057	2	1/2-Amp (slo blo) Fuse
11	150301	4	#8-18 x 7/16" Phillips Pan Head TEK Screw
12	136008	2	Fuse Holder ONLY
13	132455	1	1 HP 3 ϕ Contactor
14	132448	1	Reversing Contactor
15	132070	1	208-240 Volt Transformer
	881763	1	Transformer Terminal Kit
16	132457	1	Drive Motor Overload (for 208 volt models Only)



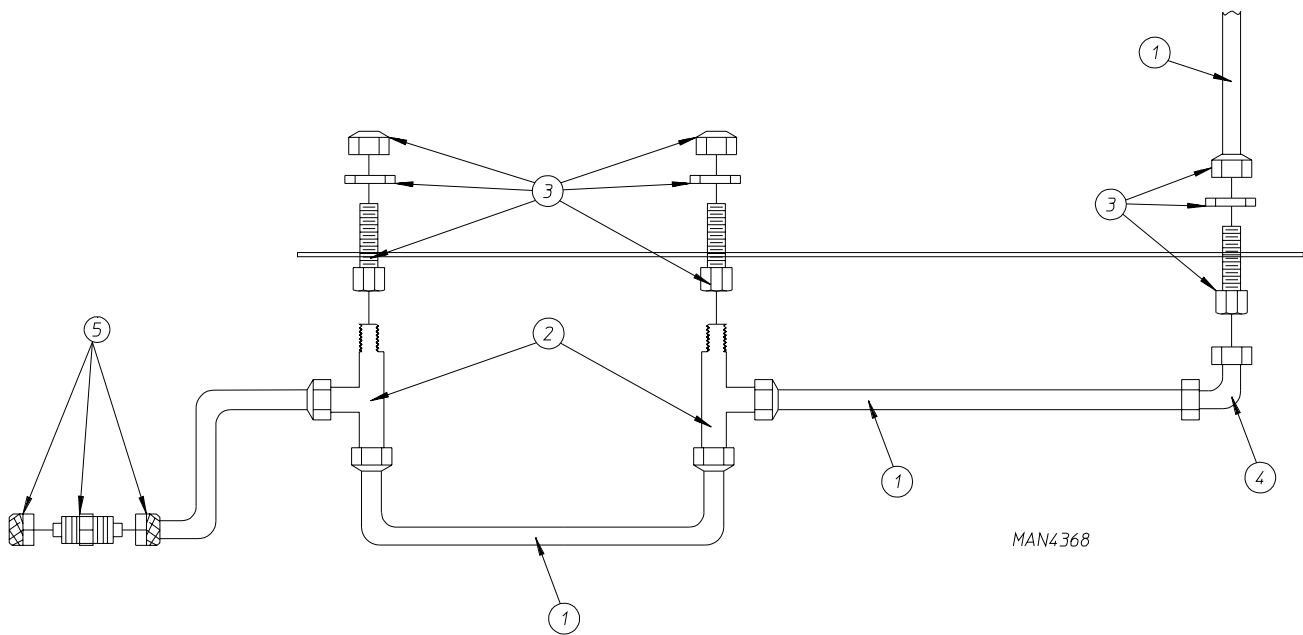
<u>Illus. No.</u>	<u>Part No.</u>	<u>Qty.</u>	<u>Description</u>
1	330987	1	Micro Valve Bracket
2	836002	1	Air Jet Solenoid
3	150111	2	1/4-20 x 1/2" Phillips Round Head Machine Screw
4	152014	2	1/4-20 Free Spin Wash Nut
5	151000	2	#6-32 Pal Nut
6	100472	1	1/4" x 1/8" Male Connector
7	150002	2	#6-32 x 1" Phillips Round Head Machine Screw
8	143250	1	1/8" N.P.T. Brass Plug
9	143268	1	1/8" x 90° Brass Straight Elbow
10	100472	1	1/4" x 1/8" Male Connector
11	143115	4	1/4" Poly-Flo Tubing (sold by the foot)



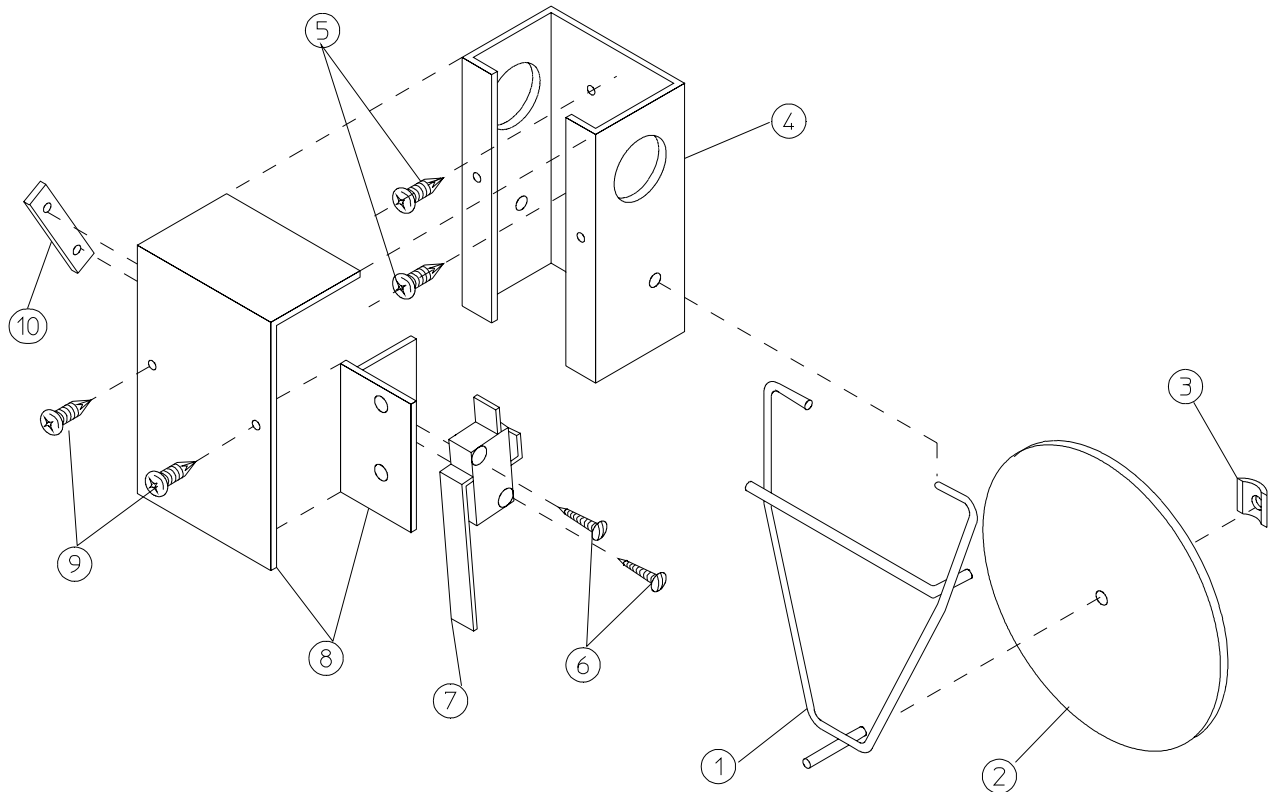
<u>Illus. No.</u>	<u>Part No.</u>	<u>Qty.</u>	<u>Description</u>
1	142924	1	1" to 3/4" Reducing Coupling
2	331291	1	Gas Valve Pipe Bracket
3	150309	20	#10-16 x 1/2" Hex Head TEK Crimptite Screw
4	142735	1	3/4" x 14" Bi Nipple
5	141300	1	3/4" Union Shutoff Valve
6	142701	1	3/4" Close Nipple
7	142601	1	3/4" Union
8	142720	1	3/4" x 11" Nipple
9	142504	1	3/4" x 90° Elbow
10	142734	1	3/4" x 5-1/2" Nipple
11	390125	1	Gas Valve Flat Pipe Bracket
12	140026	1	3/4" 24 VAC Redundant (natural gas) Gas Valve
	882098	1	3/4" 24 VAC Redundant (liquid propane [L.P.] gas) Gas Valve
	140411	1	24 VAC Gas Valve Liquid Propane (L.P.) Conversion Kit
13	331291	1	Gas Valve Pipe Bracket
14	141208	1	3-Port Manifold
15	140836	3	#10 Burner Orifice (natural gas) ONLY
	140855	3	#33 Burner Orifice (liquid propane [L.P.] gas) ONLY
16	141123	3	Gas Burner Tube
17	390124	1	Burner Tube Support ONLY
18	-----	1	Sail Switch (refer to Sail Switch Assembly on page 23)
19	390098	1	Burner Box Cover Plate ONLY
20	881597	1	Hot Surface Ignition (HSI) Ignitor
21	128921	1	Hot Surface Ignition (HSI) Flame Sensor
22	150001	2	#6-32 x 1/2" Phillips Round Head Machine Screw
23	151000	2	#6-32 Pal Nut
24	130201	1	330° Manual Reset Hi-Limit ONLY
25	319703	1	Hi-Limit Bracket
26	882238**	1	Natural Gas Burner Assembly Complete (includes illus. nos. 1 through 14 and 16 through 29) For Models Mfd. with Natural Gas Burner ONLY
	882247**	1	Liquid Propane (L.P.) Gas Burner Assembly Complete (includes illus. nos. 1 through 14 and 16 through 29) For Models Mfd. with Liquid Propane (L.P.) Gas ONLY
	881707	1	Burner Box ONLY
	882199*	1	Hot Surface Ignition (HSI) Liquid Propane (L.P.) Conversion Kit
27	335031	1	Ignition Module Mounting Bracket/Manifold Rest
28	151001	2	#8-32 Pal Nut
29	881797	1	Hot Surface Ignition (HSI) Module II

* Consult factory for elevations over 2,000 feet.

** Burner assemblies *do not include* burner orifices which **must be** ordered separately.

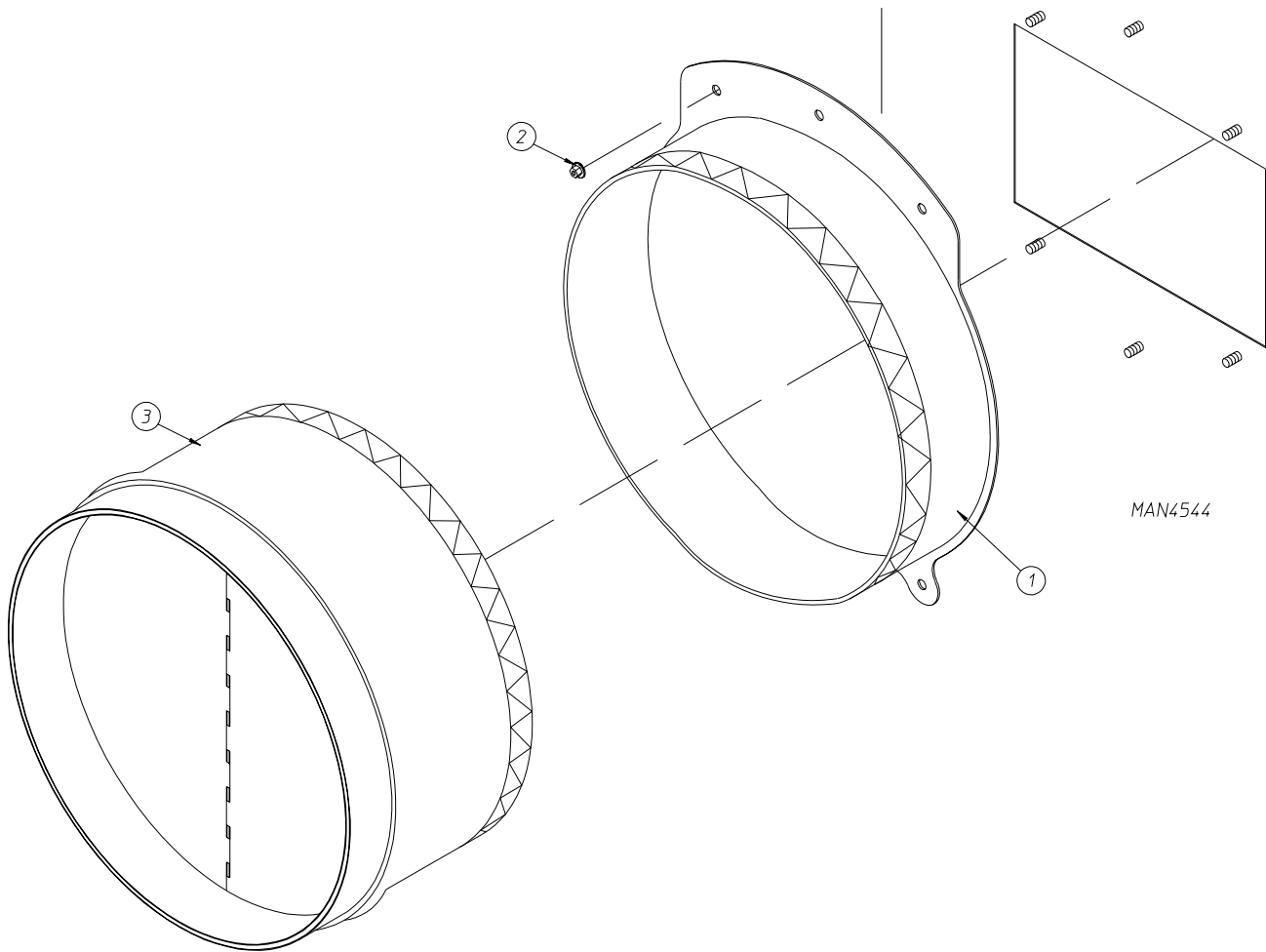


<u>Illus. No.</u>	<u>Part No.</u>	<u>Qty.</u>	<u>Description</u>
1	143100	6	1/4" Aluminum Tubing (sold by the foot)
2	143287	2	1/4" x 1/8" M.P.T. Male Run Tee
3	143259	3	1/4" x 1/8" F.P.T. Bulkhead Fitting
4	143115	4	1/4" Poly-Flo Tubing (sold by the foot)
5	143154	1	1/4" Poly Union



MAN0440

<u>Illus. No.</u>	<u>Part No.</u>	<u>Qty.</u>	<u>Description</u>
1	105500	1	Sail Switch Actuator Rod
2	319202	1	Sail Switch Damper (flat)
3	154002	1	1/8" Push On Fastener
4	802800	1	Sail Switch Box with Cover and Bracket ONLY
	802801	1	Sail Switch Box Assembly Complete (includes illus. nos. 1 through 4 and 6 through 10)
5	150309	2	#10-16 x 1/2" Hex Head TEK Crimptite Screw
6	150303	2	#4 x 3/4" Phillips Pan Head "A" Machine Screw
7	122200	1	Sail Switch ONLY
8	802799	1	Sail Switch Box Cover and Bracket ONLY
9	150309	2	#10-16 x 1/2" Hex Head TEK Crimptite Screw
10	154004	1	Twin Speed Nut



<u>Illus. No.</u>	<u>Part No.</u>	<u>Qty.</u>	<u>Description</u>
1	882318	1	White Adapter Collar Only
	882381	1	Wrinkle Blue Adapter Collar Only
	882320	1	Corvel Dry Blue Adapter Collar Only
	882321	1	Coral Wrinkle Blue Adapter Collar Only
	882322	1	Coral Blue Adapter Collar Only
	850358	1	Adapter Collar with Damper
2	152014	5	1/4-20 Free Spin Wash Nut
3	104006	1	16" Butterfly Damper Assembly

