



ML-96 Parts Manual

Phase 7

2001

American Dryer Corporation
88 Currant Road
Fall River, MA 02720-4781
Telephone: (508) 678-9000 / Fax: (508) 678-9447
E-mail: techsupport@amdry.com

www.amdry.com

Retain This Manual In A Safe Place For Future Reference

American Dryer Corporation products embody advanced concepts in engineering, design, and safety. If this product is properly maintained, it will provide many years of safe, efficient, and trouble free operation.

ONLY qualified technicians should service this equipment.

OBSERVE ALL SAFETY PRECAUTIONS displayed on the equipment or specified in the installation manual included with the dryer.

The following “**FOR YOUR SAFETY**” caution must be posted near the dryer in a prominent location.

FOR YOUR SAFETY

Do not store or use gasoline or other flammable vapors and liquids in the vicinity of this or any other appliance.

POUR VOTRE SÉCURITÉ

Ne pas entreposer ni utiliser d'essence ni d'autres vapeurs ou liquides inflammables à proximité de cet appareil ou de tout autre appareil.

We have tried to make this manual as complete as possible and hope you will find it useful. ADC reserves the right to make changes from time to time, without notice or obligation, in prices, specifications, colors, and material, and to change or discontinue models.

Important

For your convenience, log the following information:

DATE OF PURCHASE _____ MODEL NO. **ML-96**
RESELLER'S NAME _____
SERIAL NUMBER(S) _____

Replacement parts can be obtained from your reseller or the ADC factory. When ordering replacement parts from the factory, you can FAX your order to ADC at (508) 678-9447 or telephone your order directly to the ADC Parts Department at (508) 678-9000. Please specify the dryer model number and serial number in addition to the description and part number, so that your order is processed accurately and promptly.

The illustrations on the following pages may not depict your particular dryer exactly. The illustrations are a composite of the various dryer models. Be sure to check the descriptions of the parts thoroughly before ordering.

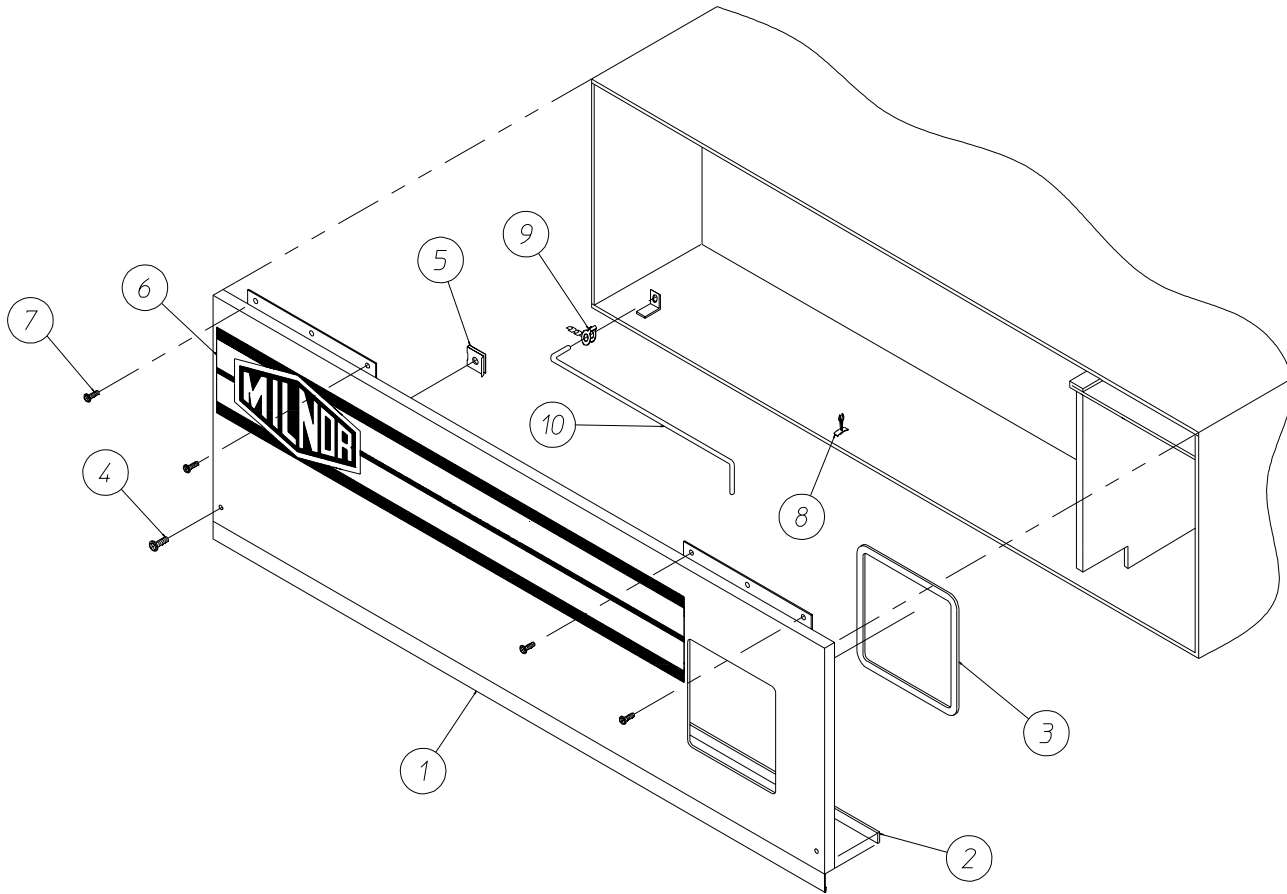
“IMPORTANT NOTE TO PURCHASER”

Information must be obtained from your local gas supplier on the instructions to be followed if the user smells gas. These instructions must be posted in a prominent location near the dryer.

Table of Contents

Control Door Assembly	4
Phase 7 OPL Microprocessor Control Panel Assembly	5
Main Door / Front Panel Assembly	6
Main Door Assembly	7
Main Door Switch Assembly	8
Temperature Sensor Bracket Assembly	9
Wrapper Assembly	10
Lint Drawer Assembly	11
Tumbler Assembly	12
Phase 7 Rotational Sensor Assembly	13
Idler Shaft Assembly	14
Drive Shaft Assembly	15
Drive Motor Assembly	16
Direct Spark Ignition Burner Assembly	18
Motorized Impellor (Fan) Assembly	20
Pneumatic Valve Assembly	21
Reversing Relay Panel Assembly for Models Mfd. prior to February 10, 2006	22
Reversing Relay Panel Assembly for 208-240 Volts for Models Mfd. as of February 10, 2006	23
Reversing Relay Panel Assembly for 380-416 Volts for Models Mfd. as of March 2, 2006	24
Reversing Relay Panel Assembly for 460-480 Volts for Models Mfd. as of March 2, 2006	25
Air Jet Assembly for Models Mfd. prior to April 2, 2004	26
Air Jet Assembly for Models Mfd. as of April 2, 2004	27
Sail Switch Assembly	28
F.S.S. Temperature Probe Assembly	29
F.S.S. Solenoid Assembly for Models Mfd. prior to October 2, 2002	30
F.S.S. Solenoid Assembly for Models Mfd. as of October 2, 2002	31
Exhaust Collar Assembly	32

Control Door Assembly



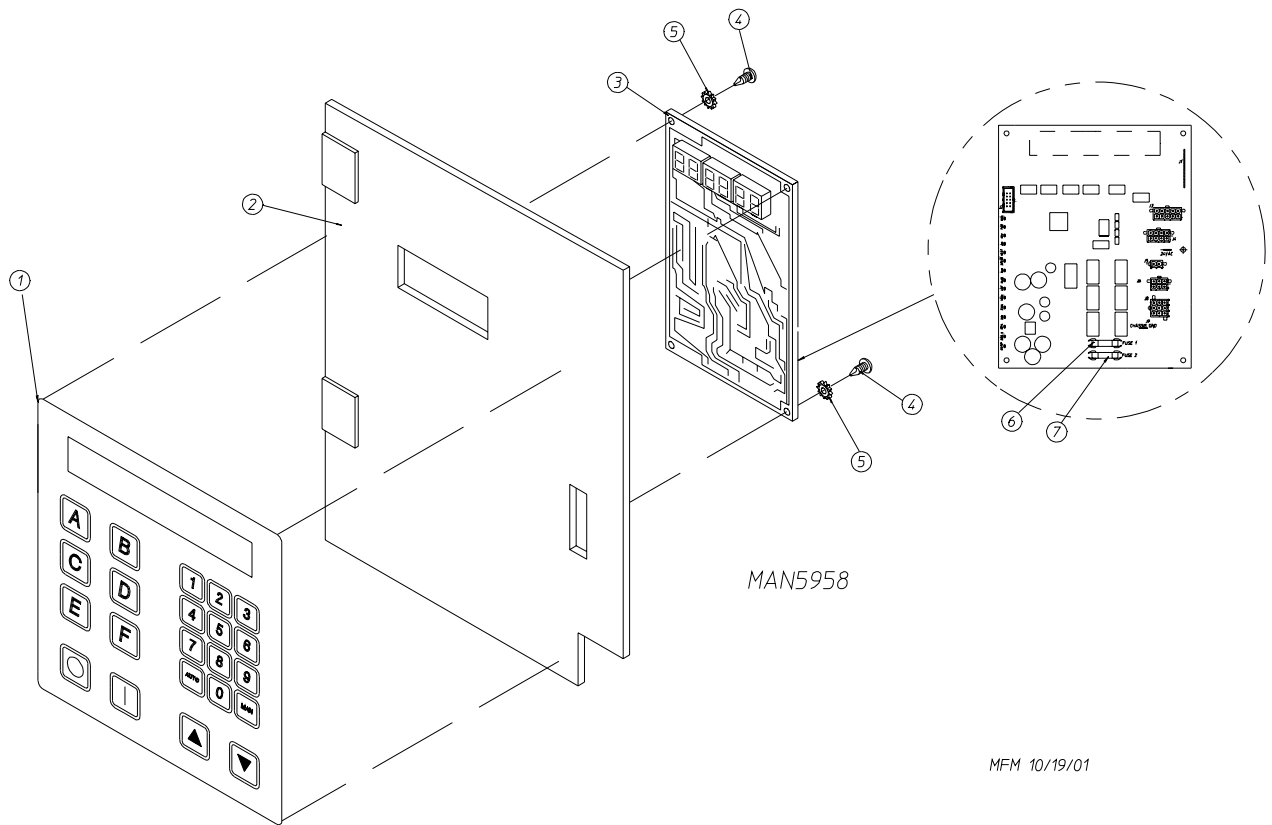
MAN5970

MFM 11/16/01

Illus. No.	Part No.	Qty.	Description
1	816672	1	Phase 7 Control Door (for models mfd. as of November 27, 2001)
	883293*	1	Phase 7 Control Door with Hinge (for models mfd. prior to November 27, 2001) (includes illus. nos. 2 and 3)
2	117603	2	1/8" x 9/16" Noise Suppressor Tape
3	117604	4	Neoprene Sponge Tape (sold by the foot)
4	150314	2	#10-32 x 1/2" TORX® Screw
5	154011	2	#10-32 Multi-Thread U-Nut
6	112366	1	Logo ONLY
7	150309	4	#10-16 x 1/2" Hex Head TEK Crimpite Screw
8	102603	1	Control Door Rod Support Catch
9	102601	1	Control Door Retainer Clip
10	102502	1	Control Door Rod

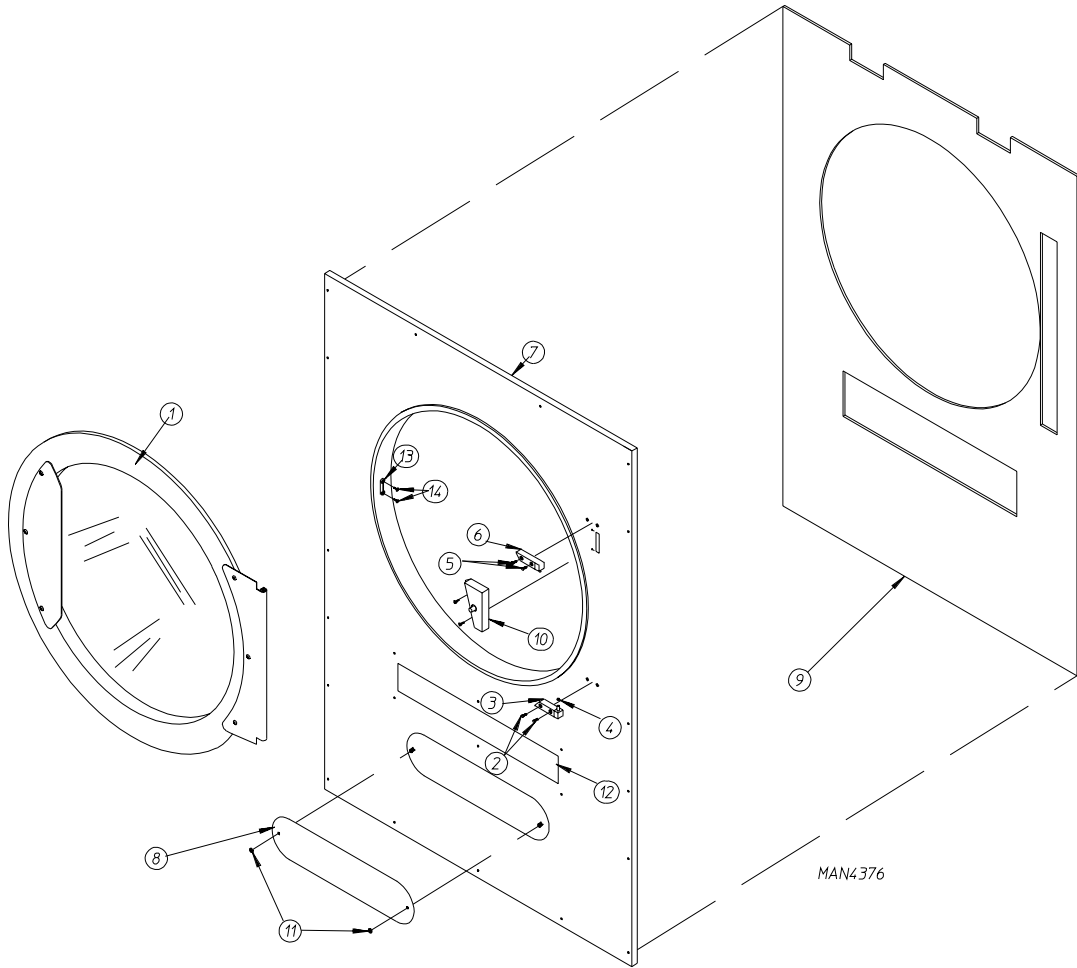
* Specify color when ordering.

Phase 7 OPL Microprocessor Control Panel Assembly

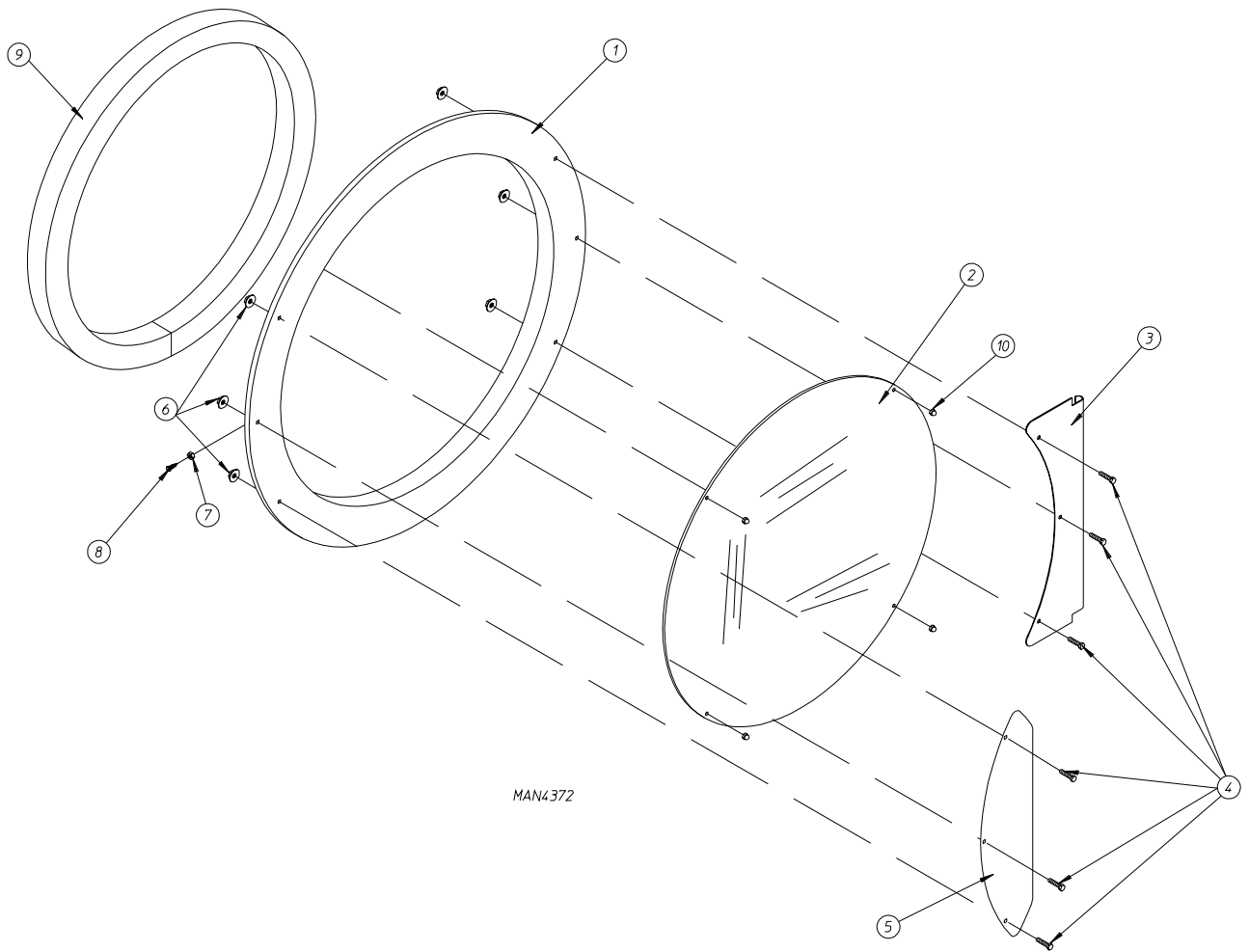


<u>Illus. No.</u>	<u>Part No.</u>	<u>Qty.</u>	<u>Description</u>
1	112577	1	Phase 7 OPL Keyboard
2	850984	1	Phase 7 Microprocessor Controller (computer) Panel ONLY
3	822767	1	Phase 7 OPL Reversing Microprocessor Controller (computer) Control Panel Assembly Complete (includes illus. nos. 1 through 7)
	887003	1	Phase 7.2.2 BD with Sensor Activated Fire Extinguishing System (for models mfd. as of December 3, 2003)
	887004	1	Phase 7.2.2 BD with Fire Suppression System (for models mfd. as of December 3, 2003)
	887000	1	Phase 7.2.1 to .2 BD with Sensor Activated Fire Extinguishing System (for models mfd. prior to December 3, 2003)
	887001	1	Phase 7.2.1 to .2 BD with Fire Suppression System (for models mfd. prior to December 3, 2003)
4	150005	2	#6-32 x 3/4" Phillips Round Head Machine Screw
5	153010	2	#6 Star Washer
6	136097	1	500-mA Fuse
7	136016	1	5-Amp Fuse

Main Door / Front Panel Assembly

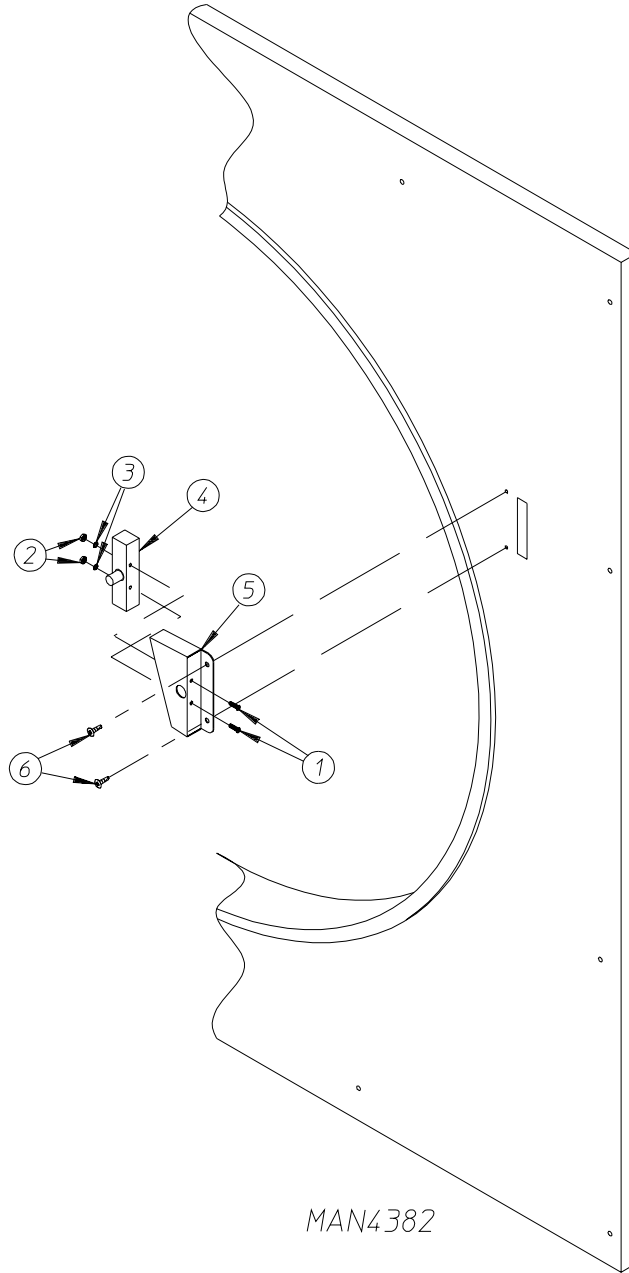


<u>Illus. No.</u>	<u>Part No.</u>	<u>Qty.</u>	<u>Description</u>
1	—	1	Main Door (refer to Main Door Assembly on page 7)
2	150443	2	Socket Cap Screw
3	881441	1	Bottom Hinge Block (white)
	882283	1	Bottom Hinge Block (wrinkle coral blue)
4	153031	1	Nylon Washer
5	150443	2	Socket Cap Screw
6	881440	1	Top Hinge Block (white)
	882284	1	Top Hinge Block (wrinkle coral blue)
7	801614	1	Magnet Door Front Panel
	882236	1	Front Panel (white) (includes illus. nos. 7, 13, and 14)
	882345	1	Front Panel Assembly (wrinkle coral blue) (includes illus. nos. 7, 13, and 14)
8	390227	1	Emblem
9	116326	1	Front Panel Insulation
10	—	1	Main Door Switch (refer to Main Door Switch Assembly on page 8)
11	182507	2	1/4-20 High Crown Acorn Nut
12	—	1	Lint Screen (refer to Lint Drawer Assembly on page 11)
13	170330	1	Friction Door Latch
14	154215	2	5/32 x 1/4" Rivet



<u>Illus. No.</u>	<u>Part No.</u>	<u>Qty.</u>	<u>Description</u>
1	801600	1	Cold Rolled Steel Magnet Main Door Assembly (for models mfd. as of July 21, 2005)
	881968	1	Cold Rolled Steel Main Door Assembly (white) (includes illus. nos. 1 through 10)
	882292	1	Cold Rolled Steel Main Door Assembly (wrinkle coral blue) (includes illus. nos. 1 through 10)
	881966	1	Cold Rolled Steel Large Main Door Ring (white)
	882305	1	Cold Rolled Steel Large Main Door Ring (wrinkle coral blue)
2	102214	1	30" Main Door Glass
3	881685	1	Main Door Hinge (white)
	882296	1	Main Door Hinge (wrinkle coral blue)
4	881740	6	1/4-20 x 5/8" Carriage Bolt (white)
	882339	6	1/4-20 Carriage Bolt (wrinkle coral blue)
5	881688	1	Main Door Handle (white)
	882295	1	Main Door Handle (wrinkle coral blue)
6	881806	6	1/4-20 Free Spin Wash Nut (white)
	882293	6	1/4-20 Free Spin Wash Nut (wrinkle coral blue)
7	152008	1	#10-32 Hex Nut
8	150120	1	Door Latch Screw
9	102357	1	7/8" x 7/8" x 104" Door Gasket
10	151012	4	#10-32 Nylon Acorn Nut

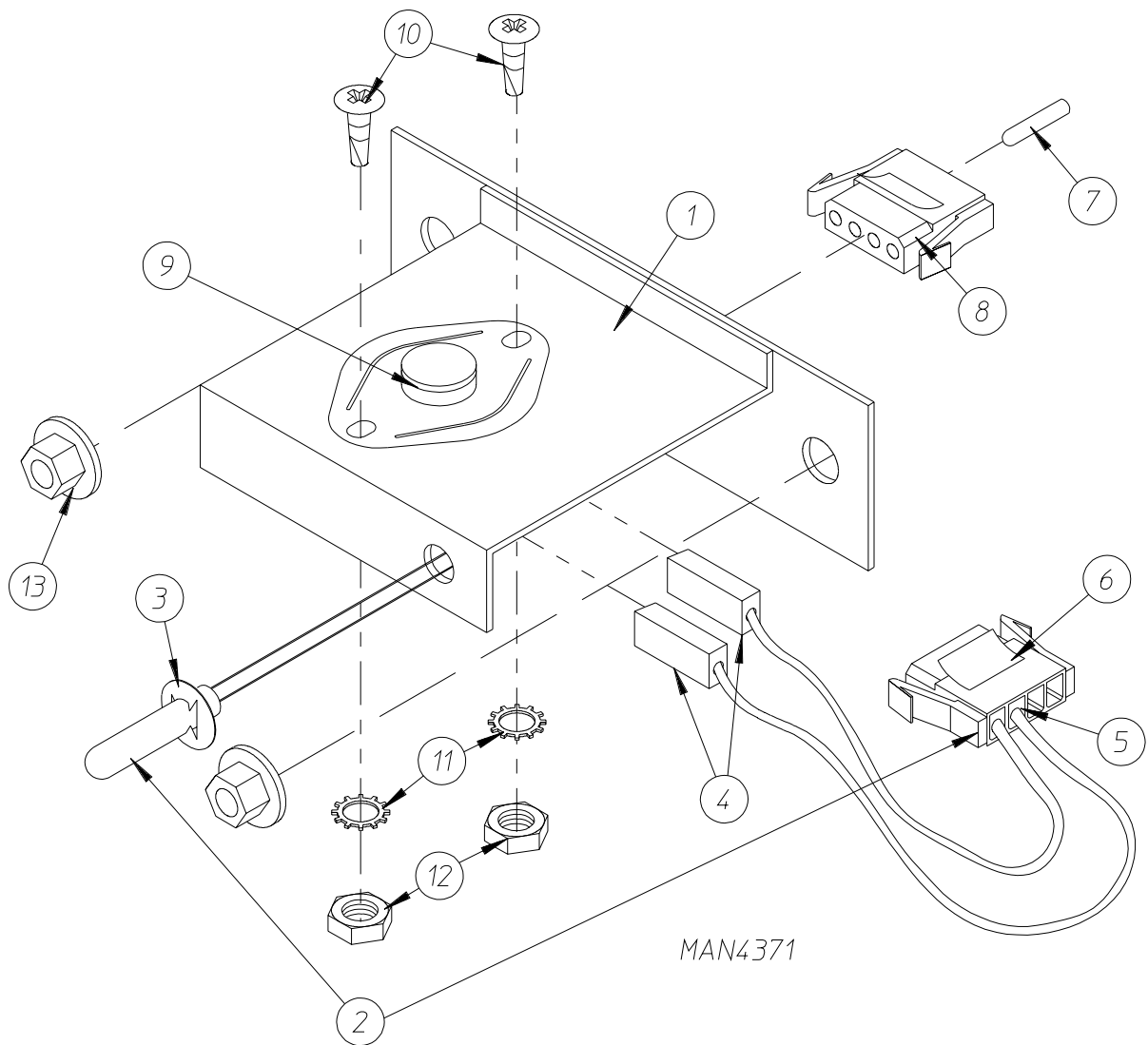
Main Door Switch Assembly



MAN4382

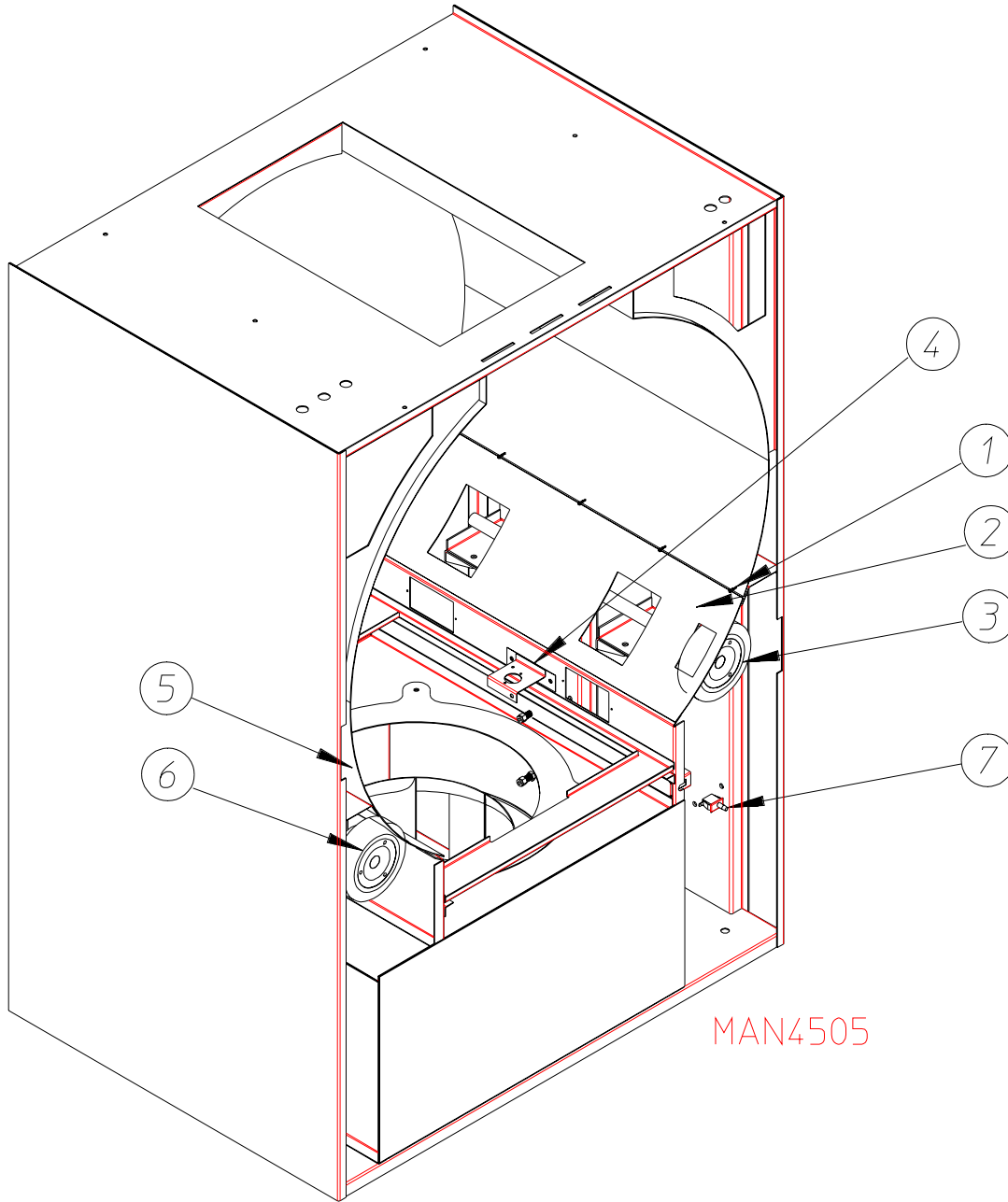
<u>Illus. No.</u>	<u>Part No.</u>	<u>Qty.</u>	<u>Description</u>
1	150006	2	#6-32 x 7/8" Phillips Pan Head Machine Screw
2	152013	2	#6-32 Hex Nut
3	153010	2	#6 Star Washer
4	137005	1	Main Door Switch ONLY
5	881702	1	Main Door Switch Housing Assembly Complete (white)
			(includes illus. nos. 1 through 5)
	882298	1	Main Door Switch Housing Assembly (wrinkle coral blue)
			(includes illus. nos. 1 through 5)
	881687	1	Main Door Switch Housing ONLY (white)
	882291	1	Main Door Switch Housing ONLY (wrinkle coral blue)
6	150301	2	#8-18 x 7/16" Phillips Pan Head TEK Screw

Temperature Sensor Bracket Assembly

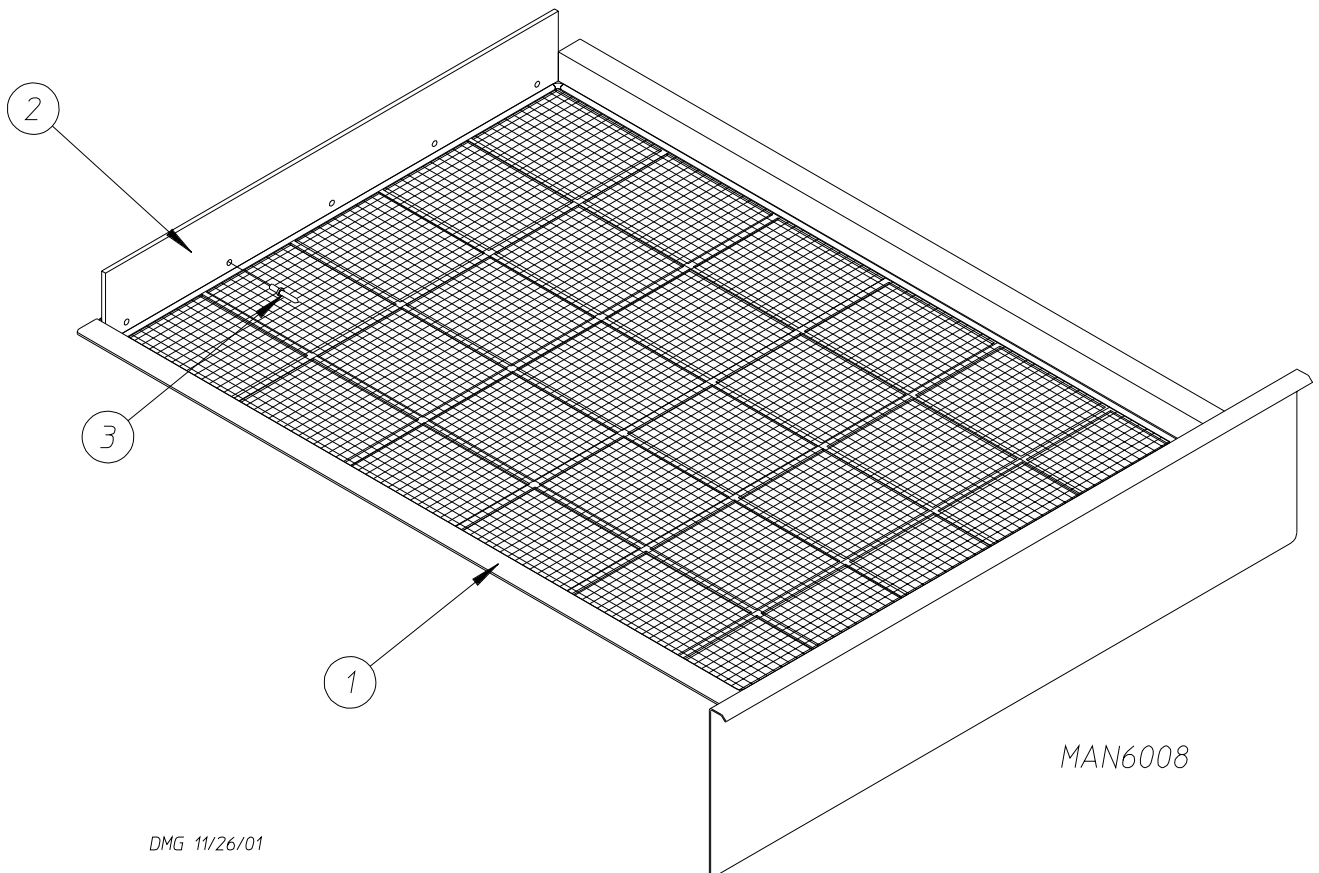


<u>Illus. No.</u>	<u>Part No.</u>	<u>Qty.</u>	<u>Description</u>
1	859372	1	Temperature Sensor Bracket Complete (includes illus. nos. 1 through 6 and 9 through 12)
	881089	1	Sensor Bracket
2	884258	1	4" Temperature Sensor Probe Assembly
3	154007	2	1/4" Push-On Fastener
4	121028	1	1/4" Terminal
5	122701	4	Socket Terminal ONLY
6	122605	1	4-Position Female Connector
7	122700	4	Pin Terminal ONLY
8	122604	1	4-Position Male Connector
9	130302	1	225° Thermostat
10	150005	2	#6-32 x 1/4" Phillips Round Head Machine Screw
11	153010	2	#6 Star Washer
12	152013	2	#6-32 Hex Nut
13	152014	2	1/4-20 Free Spin Wash Nut

Wrapper Assembly



<u>Illus. No.</u>	<u>Part No.</u>	<u>Qty.</u>	<u>Description</u>
1	150309	20	#10-16 x 1/2" Hex Head TEK Crimptite Screw
2	859367	1	Bottom Right Wrapper
3	—	1	Idler Shaft (refer to Idler Shaft Assembly on page 14)
4	—	1	Temperature Sensor Bracket (refer to Temperature Sensor Bracket Assembly on page 9)
5	859368	1	Bottom Left Wrapper
6	—	1	Drive Shaft (refer to Drive Shaft Assembly on page 15)
7	122116	1	Lint Door Switch – 24 VAC

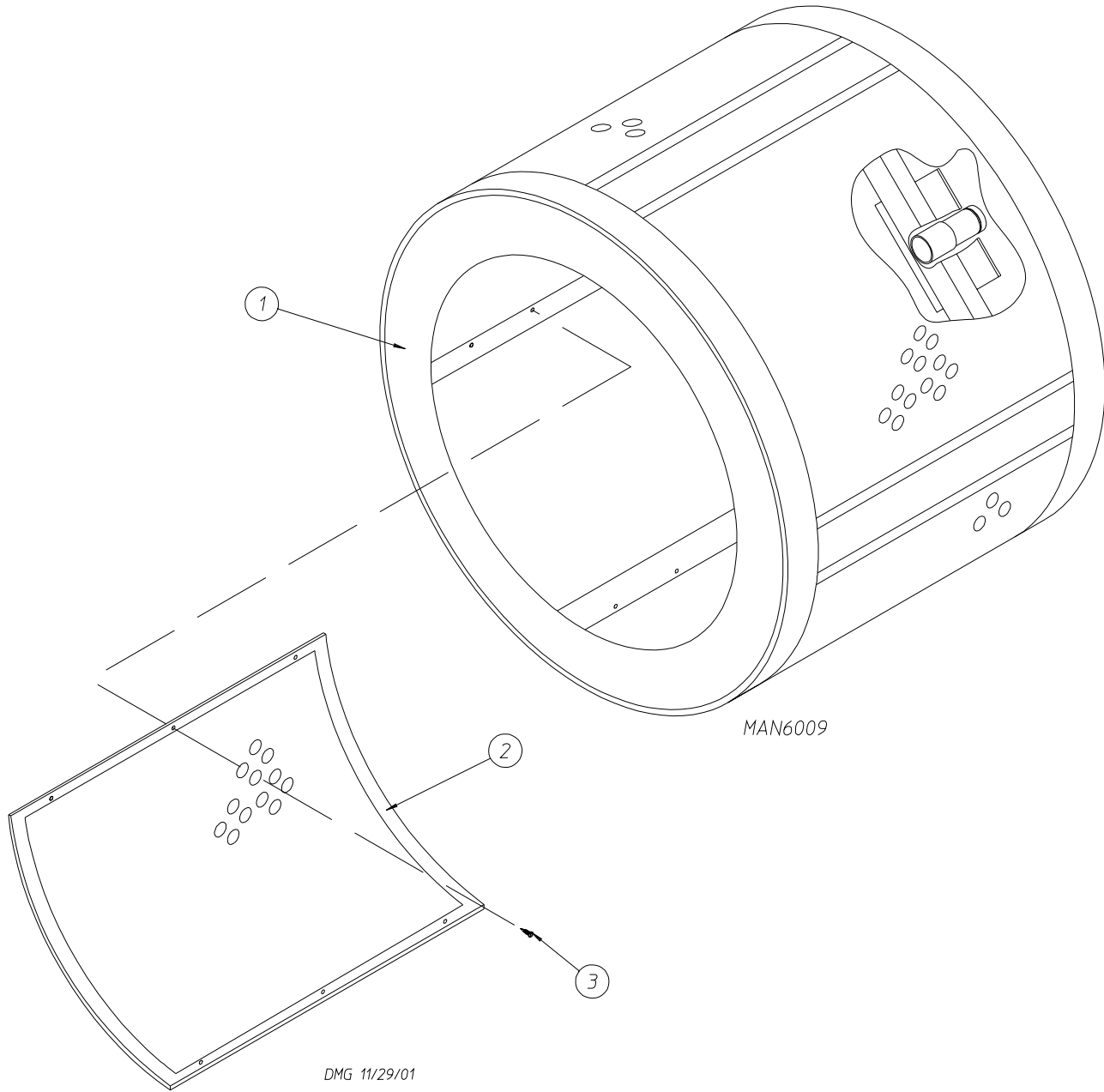


DMG 11/26/01

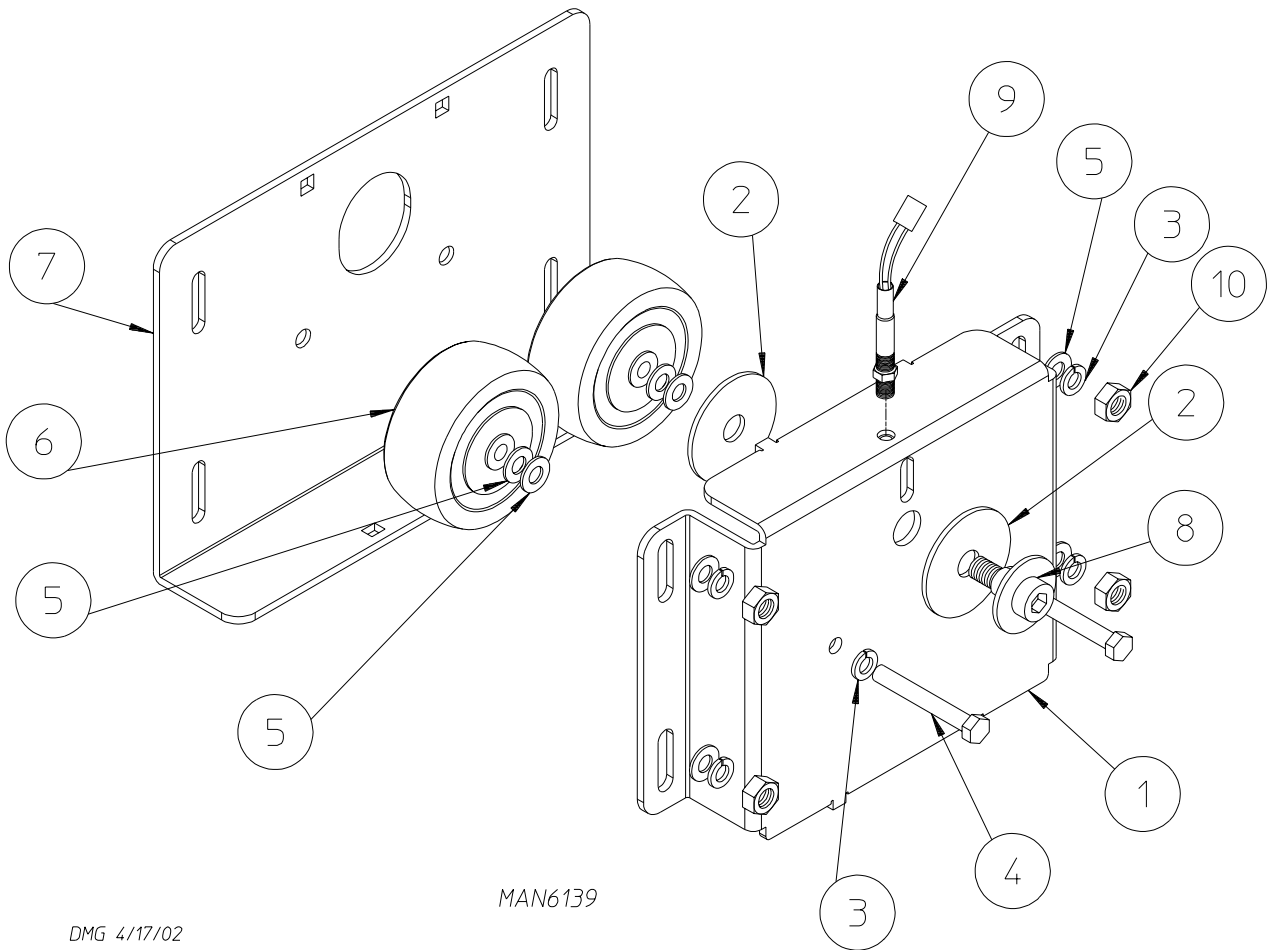
<u>Illus. No.</u>	<u>Part No.</u>	<u>Qty.</u>	<u>Description</u>
1*	883305	1	Lint Drawer Assembly (includes illus. nos. 1 through 3)
2	115902	1	Lint Basket Felt
3	154215	5	5/32 x 1/4" Rivet

* Specify color when ordering.

Tumbler Assembly



<u>Illus. No.</u>	<u>Part No.</u>	<u>Qty.</u>	<u>Description</u>
1	835022	1	Tumbler Assembly Complete (for models mfd. as of April 9, 2007) (includes illus. nos. 1 through 3)
	859389	1	Tumbler Assembly Complete (for models mfd. prior to April 9, 2007) (includes illus. nos. 1 through 3)
2	333670	4	Perforated Tumbler Panel (for models mfd. as of April 9, 2007)
	882234	4	Perforated Tumbler Panel (for models mfd. prior to April 9, 2007)
3	150118	24	1/4-20 x 1/4" Phillips Pan Head Screw

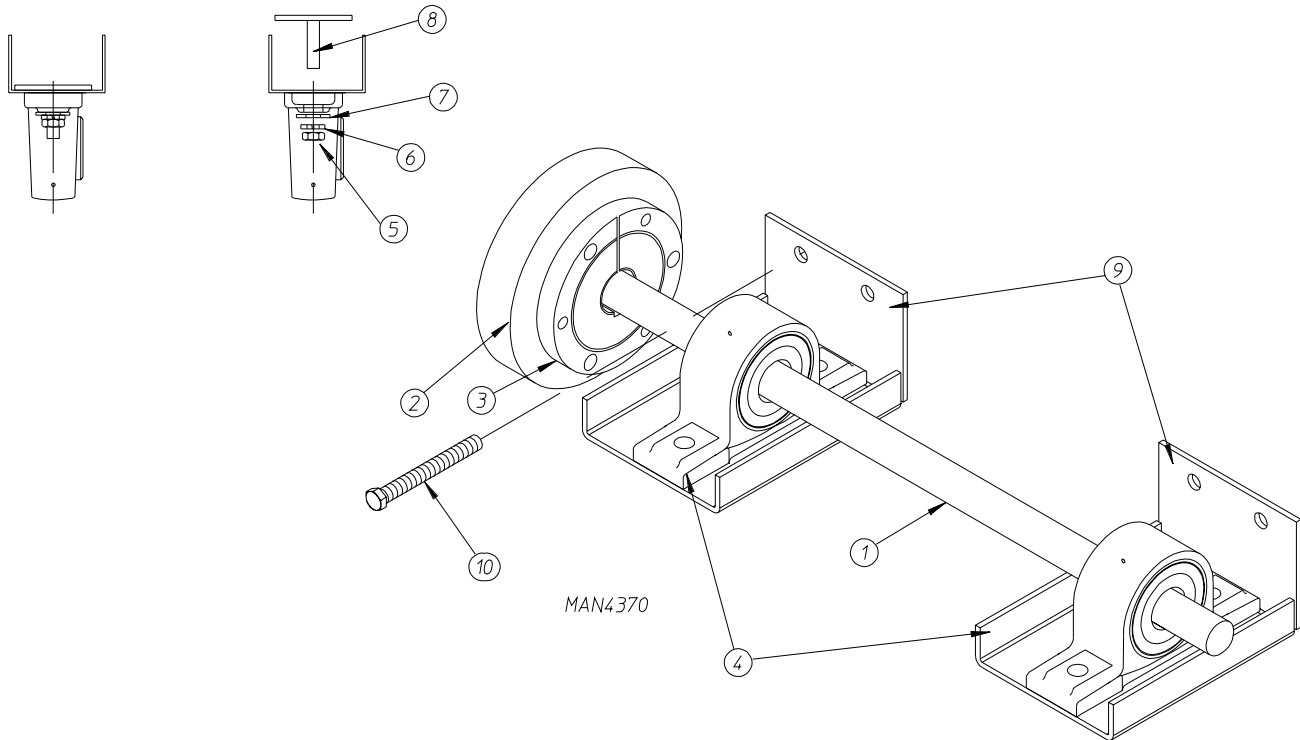


MAN6139

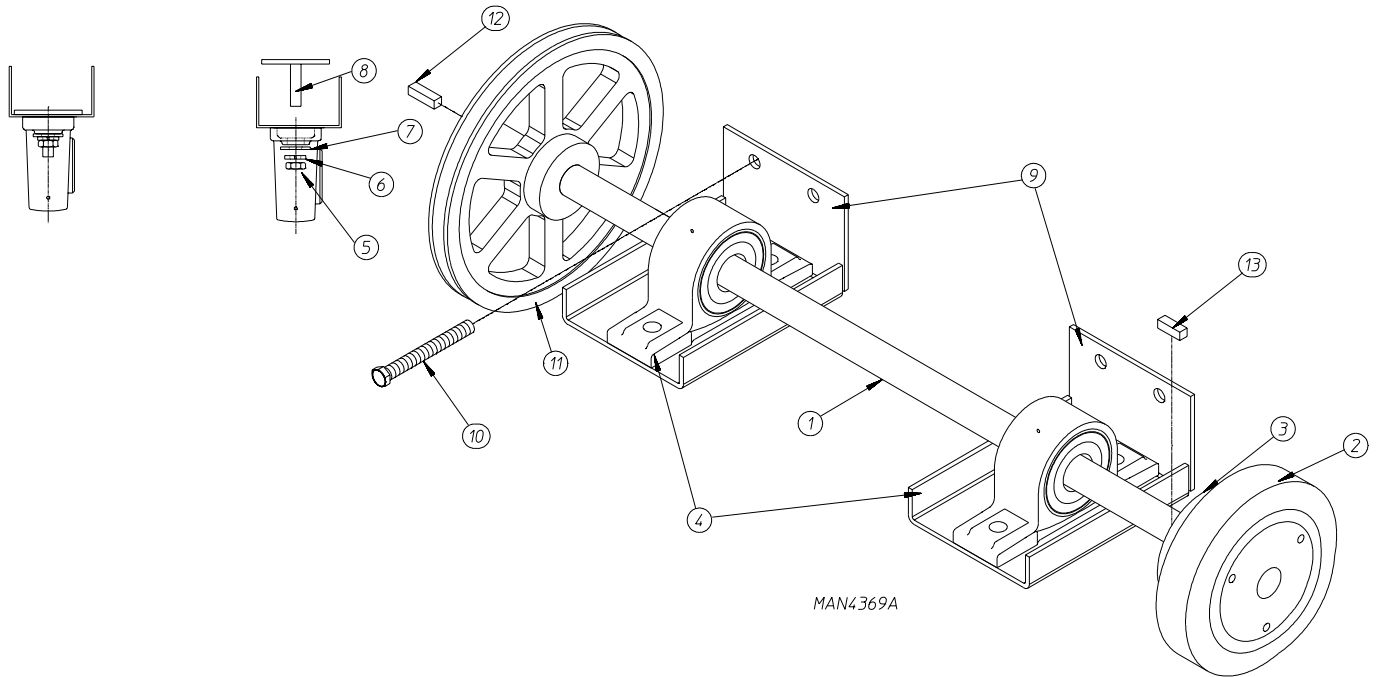
DMG 4/17/02

<u>Illus. No.</u>	<u>Part No.</u>	<u>Qty.</u>	<u>Description</u>
1	819064	1	Tumbler Shaft Support Assembly Complete (includes illus. nos. 1 through 8)
	835339	1	Tumbler Shaft Support Bracket
2	102394	2	Tumbler Friction Pad
3	153005	6	3/8" Lock Washer
4	150619	2	3/8-16 x 1" Tap Bolt
5	153004	8	3/8" Flat Washer
6	180018	2	4" x 1-1/2" Hi-Impact Wheel
7	819046	1	Tumbler Adjustment Plate
8	819065	1	Tumbler Shoulder Screw
9	822735	1	Phase 7 Rotational Sensor Assembly
10	152005	4	3/8-16 Hex Nut

Idler Shaft Assembly



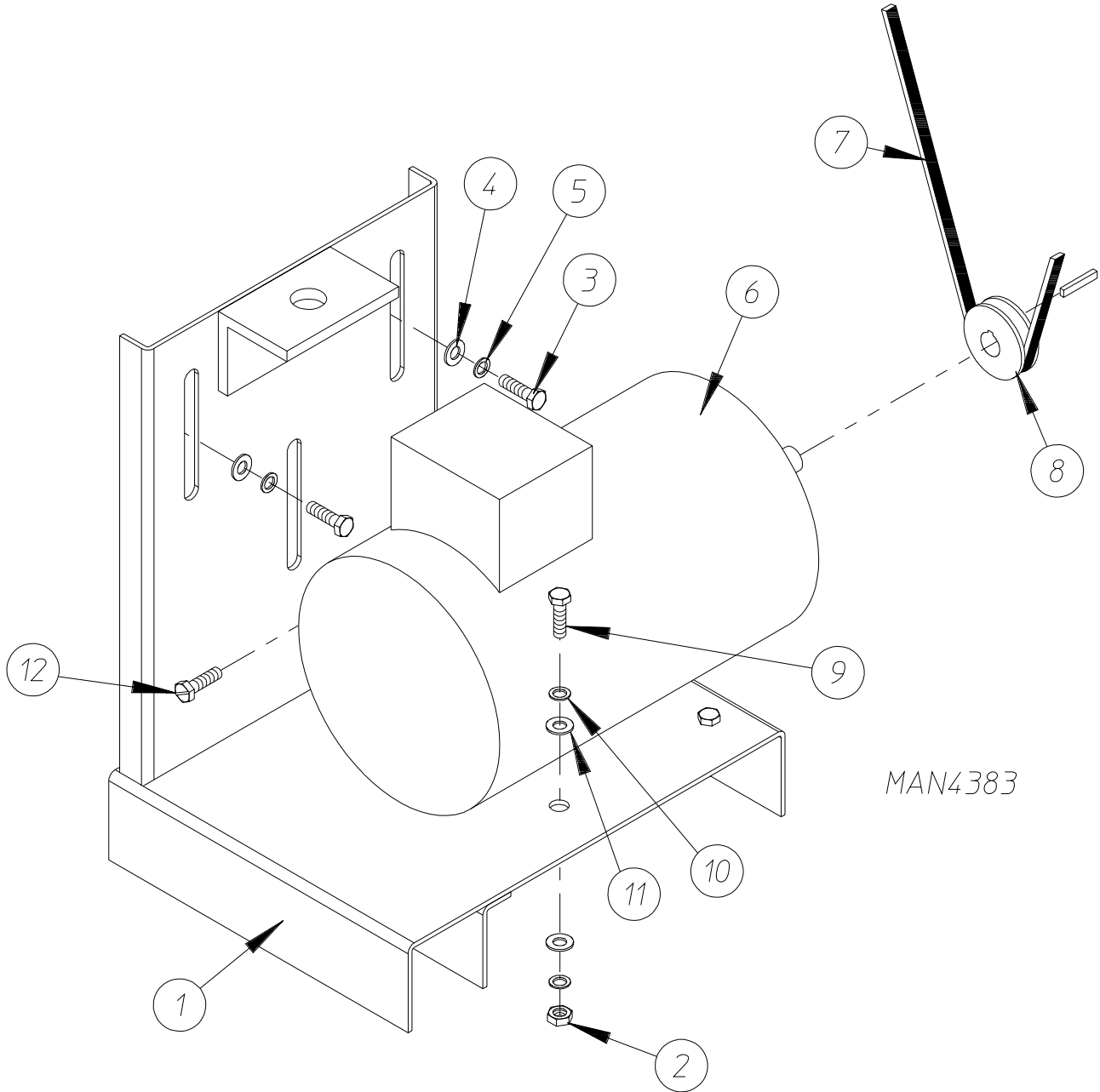
<u>Illus. No.</u>	<u>Part No.</u>	<u>Qty.</u>	<u>Description</u>
1	859328	1	Idler Shaft Assembly Complete (includes illus. nos. 1 through 10)
	390232	1	Idler Shaft ONLY
2	180033	2	6" Wheel
3	180038	2	1" Taper Lock Bushing
4	880205	2	1" Pillow Block Bearing
5	152004	4	5/16-18 Hex Nut
6	153002	4	5/16" Lock Washer
7	153001	4	5/16" Flat Washer
8	859008	2	Bearing Bolt Plate Assembly
9	859327	2	Bearing Pad
10	150509	4	5/16-18 x 3" Tap Bolt



MAN4369A

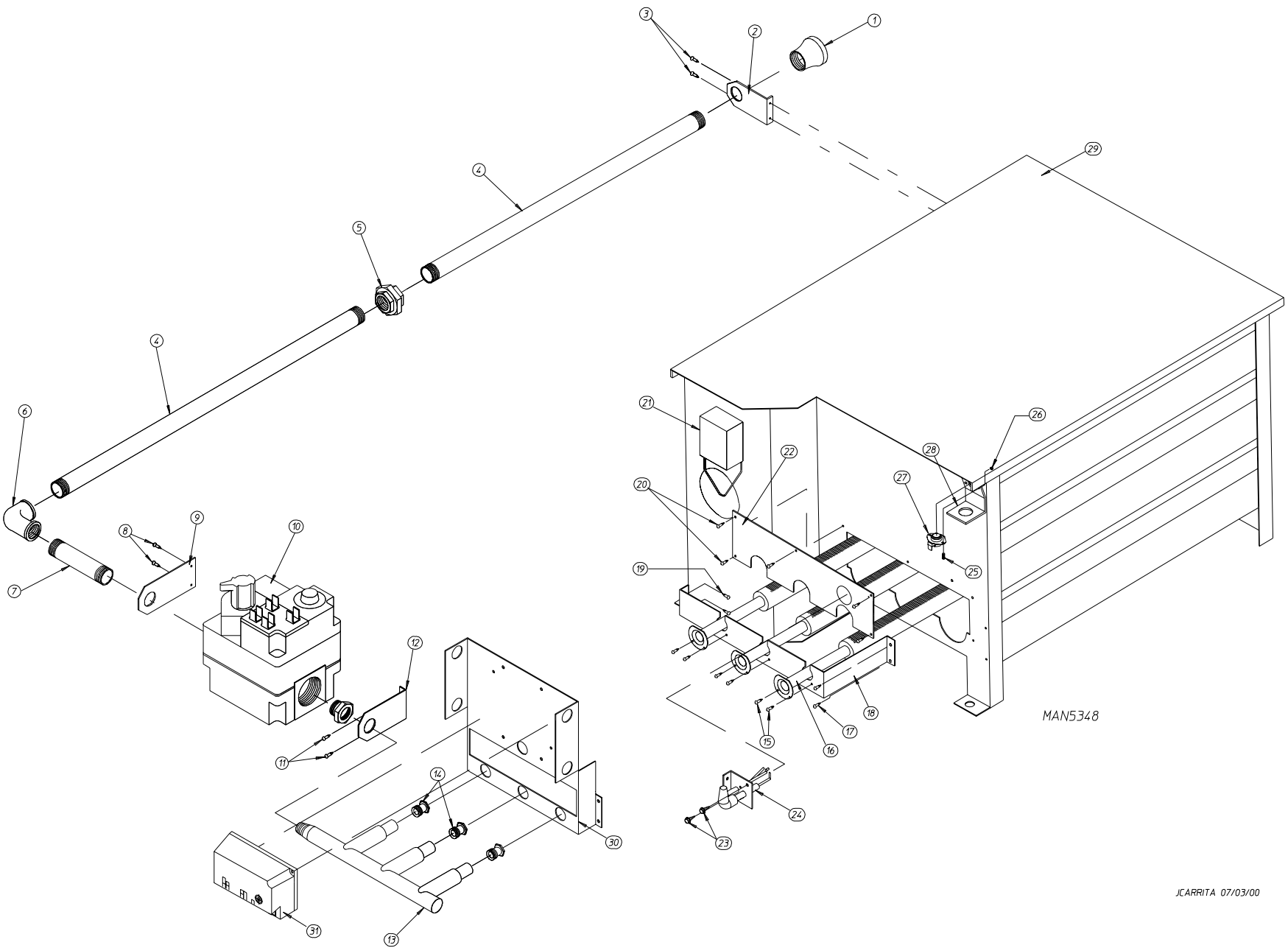
Illus. No.	Part No.	Qty.	Description
1	859329	1	Drive Shaft Assembly Complete (includes illus. nos. 1 through 11)
	390243	1	Drive Shaft ONLY
2	180033	2	6" Wheel
3	180038	2	1" Taper Lock Bushing
4	880205	2	1" Pillow Block Bearing
5	152004	4	5/16-18 Hex Nut
6	153002	4	5/16" Lock Washer
7	153001	4	5/16" Flat Washer
8	859008	2	Bearing Bolt Plate Assembly
9	859327	2	Bearing Pad
10	150509	4	5/16-18 x 3" Tap Bolt
11	101209	1	9" Pulley
12	100713	1	1/4" x 1/4" x 7/8" Key
13	100704	1	1/4" x 1/4" x 1-3/4" Key

Drive Motor Assembly



<u>Illus. No.</u>	<u>Part No.</u>	<u>Qty.</u>	<u>Description</u>
1	882245	1	Drive Motor Assembly Complete (includes illus. nos. 1, 2, 6, and 9 through 11)
	882237	1	Motor Mount ONLY
2	152004	4	5/16-18 Hex Nut
3	150501	3	5/16-18 x 3/4" Tap Bolt
4	153001	3	5/16" Flat Washer
5	153002	3	5/16" Lock Washer
6	181106	1	1/2 hp 208-480v (3 ϕ) 50/60 Hz Drive Motor
7	100174	1	AX-53 Cogged V-Belt
8	101132	1	5/8" x 2" Motor Pulley
9	150501	4	5/16-18 x 3/4" Tap Bolt
10	153002	8	5/16" Lock Washer
11	153001	8	5/16" Flat Washer
12	150523	1	1/4-20 x 3/4" Hex Washer Machine Bolt

Direct Spark Ignition Burner Assembly



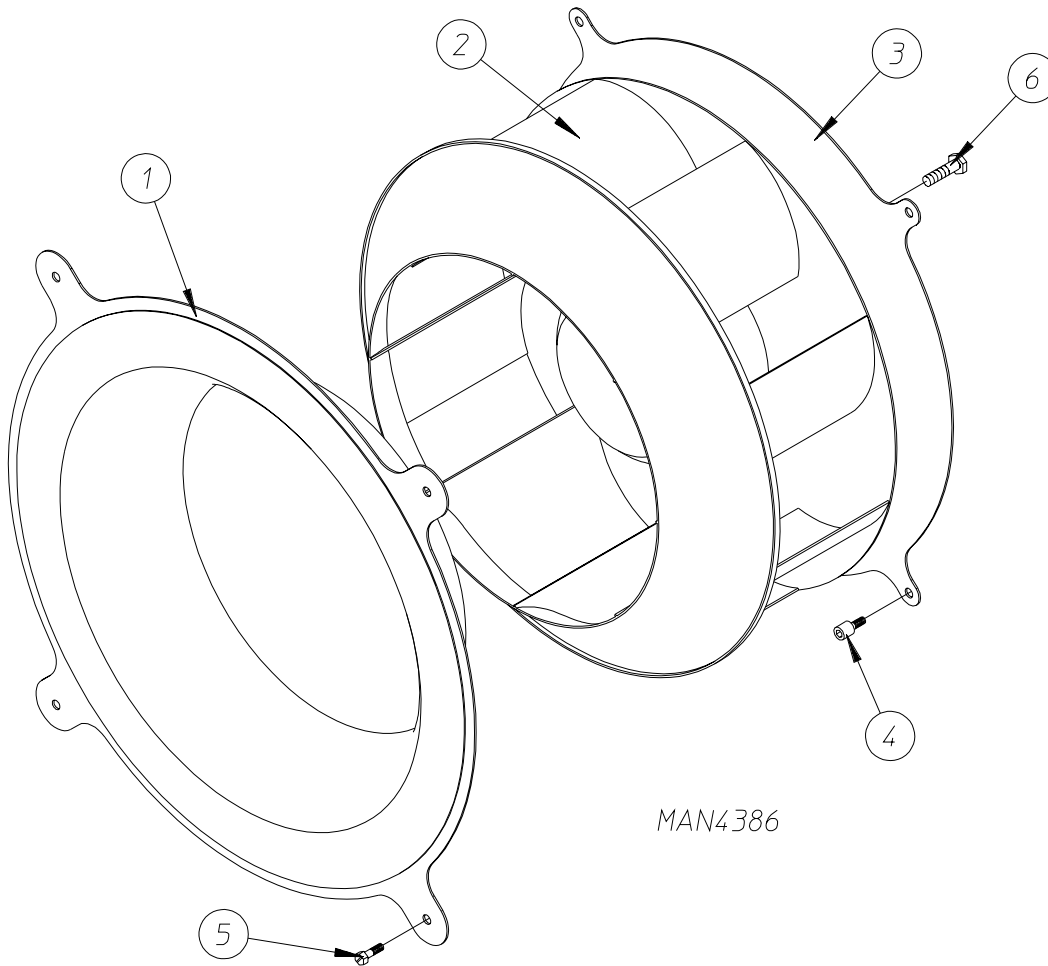
JCARRITA 07/03/00

Direct Spark Ignition Burner Assembly

<u>Illus. No.</u>	<u>Part No.</u>	<u>Qty.</u>	<u>Description</u>
1	142924	1	1" to 3/4" Reducing Coupling
2	331291	1	Gas Valve Pipe Bracket
3	150309	2	#10-16 x 1/2" Hex Head TEK Crimptite Screw
4	142735	1	3/4" x 14" Bi Nipple
5	142601	1	3/4" Union
6	142504	1	3/4" x 90° Elbow
7	142734	1	3/4" x 5-1/2" Nipple
8	150309	2	#10-16 x 1/2" Hex Head TEK Crimptite Screw
9	390125	1	Gas Valve Flat Pipe Bracket
10	887159	1	3/4" 24 VAC Redundant (natural gas) Gas Valve
	887155	1	3/4" 24 VAC Redundant (liquid propane gas) Gas Valve
	140411	1	24 VAC Gas Valve Liquid Propane Conversion Kit
11	150415	2	#10-16 x 1/2" Hex Head TEK Crimptite Screw
12	331291	1	Gas Valve Pipe Bracket
13	141219	1	3-Port Manifold
14*	140862	3	#7 Burner Orifice (natural gas) ONLY
	140818	3	#31 Burner Orifice (liquid propane gas) ONLY
15	150309	2	#10-16 x 1/2" Hex Head TEK Crimptite Screw
16	141123	3	Gas Burner Tube
17	150309	2	#10-16 x 1/2" Hex Head TEK Crimptite Screw
18	390124	1	Burner Tube Support ONLY
19	150309	2	#10-16 x 1/2" Hex Head TEK Crimptite Screw
20	150309	6	#10-16 x 1/2" Hex Head TEK Crimptite Screw
21	821456	1	Sail Switch
			(refer to Sail Switch Assembly on page 28)
22	331289	1	Burner Box Cover Plate ONLY
23	150309	2	#10-16 x 1/2" Hex Head TEK Crimptite Screw
24	128914	1	Ignitor / Flame-Probe Assembly
25	150001	2	#6-32 x 1/2" Phillips Round Head Machine Screw
26	151000	2	#6-32 Pal Nut
27	130201	1	330° Manual Reset Hi-Limit ONLY
28	319703	1	Hi-Limit Bracket
29*	882677	1	Natural Gas Burner Assembly Complete for Models Mfd. with Natural Gas ONLY (includes illus. nos. 1 through 31)
	882678	1	Liquid Propane Gas Burner Assembly Complete for Models Mfd. with Liquid Propane Gas ONLY (includes illus. nos. 1 through 31)
	859374	1	Burner Box ONLY
30	335031	1	Ignition Module Mounting Bracket / Manifold Rest
31	883849	1	Direct Spark Ignition Module with High Voltage Wire

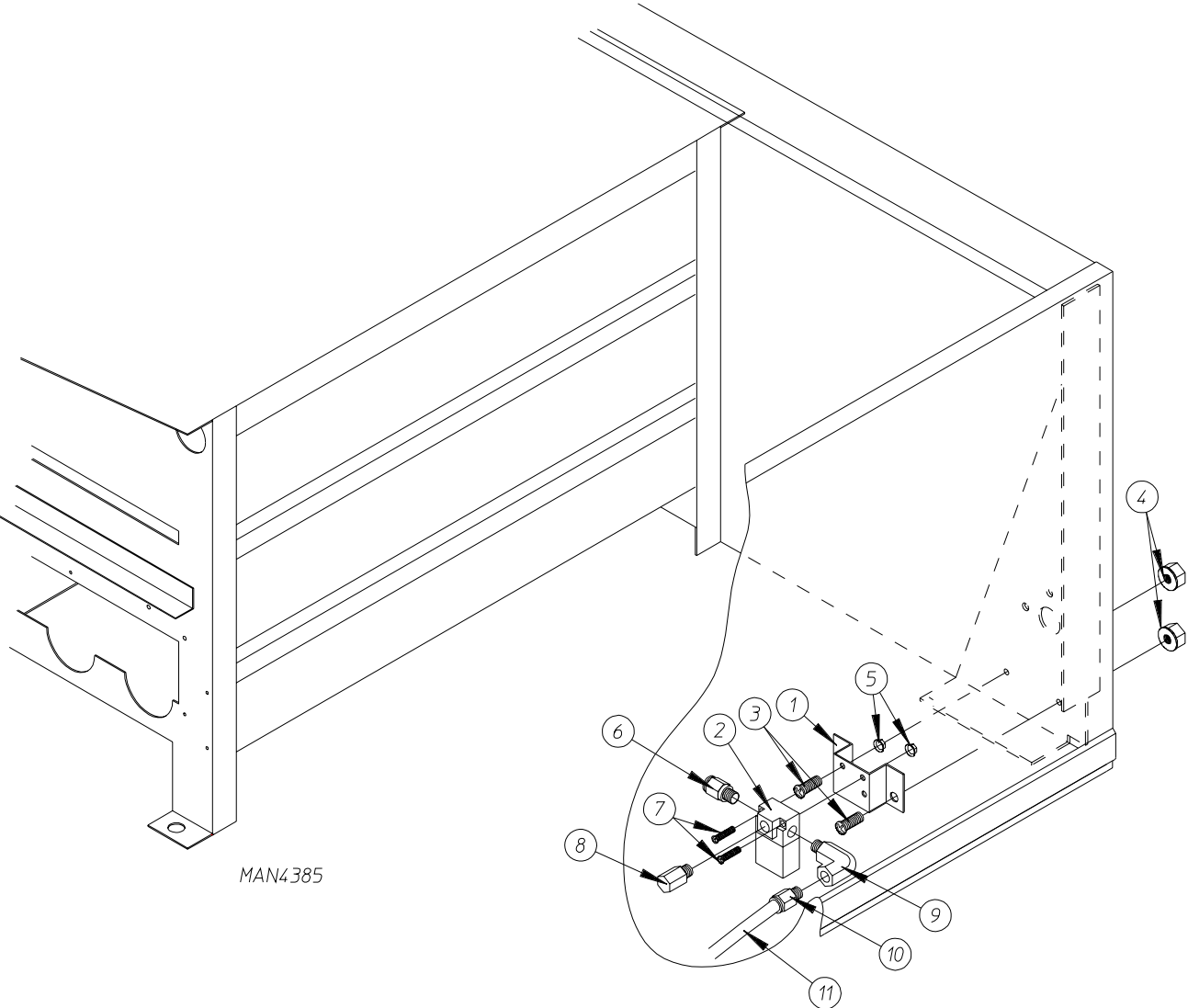
* Consult factory for elevations over 2,000 feet.

Motorized Impellor (Fan) Assembly



MAN4386

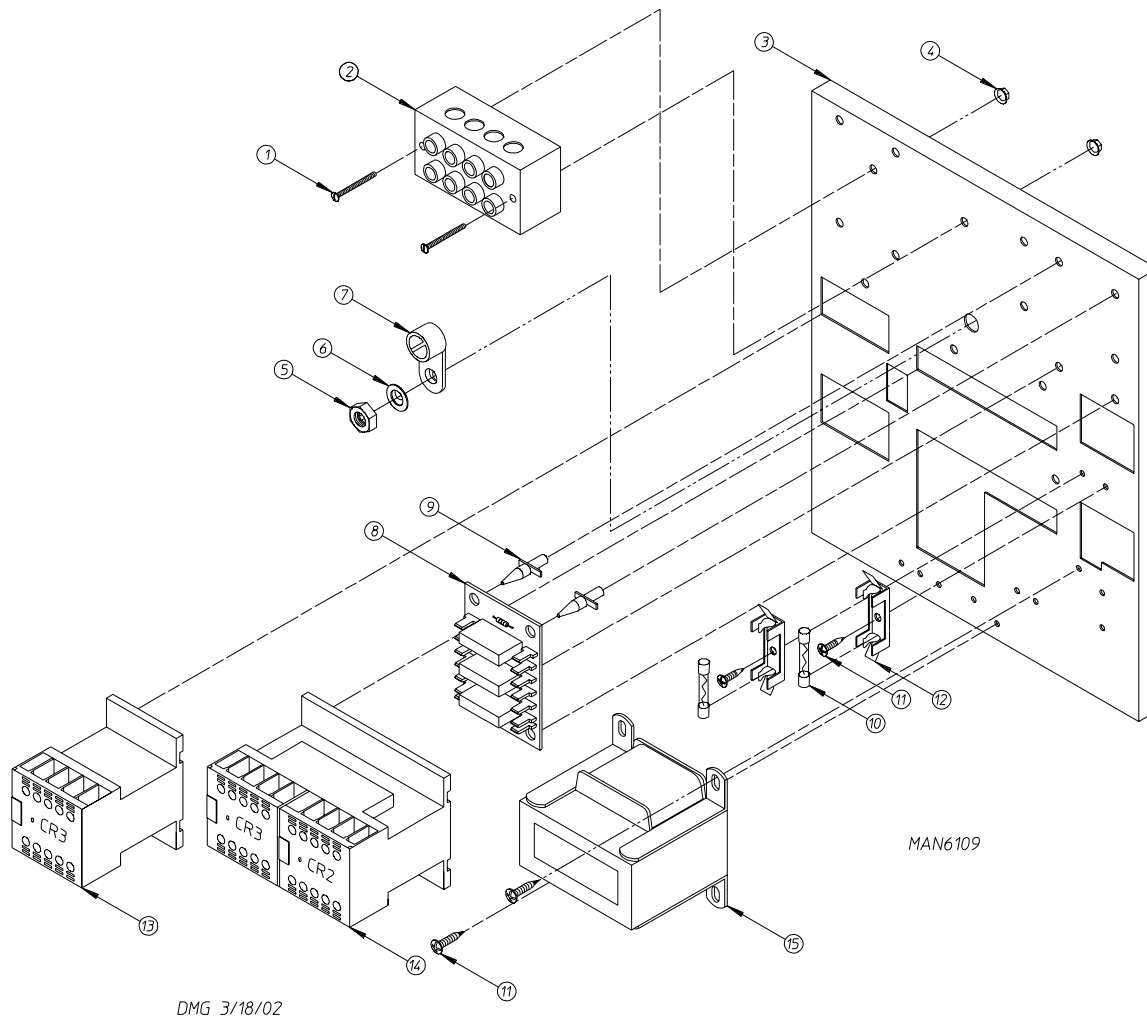
<u>Illus. No.</u>	<u>Part No.</u>	<u>Qty.</u>	<u>Description</u>
1	882319	1	Coop Cone (white)
	882328	1	Coop Cone (wrinkle coral blue)
2	887140	1	Motorized Impellor (fan) – 208 Volt 60 Hz ONLY (for models mfd. as of February 23, 2007)
	887139	1	Motorized Impellor (fan) – 208 Volt 60 Hz ONLY (for models mfd. prior to February 23, 2007)
	100622	1	Motorized Impellor (fan) – 230 Volt 60 Hz ONLY
	100619	1	Motorized Impellor (fan) – 230/400 Volt 50 Hz, 460/480 Volt 60 Hz ONLY
	859363	1	Motorized Impellor (fan) Assembly Complete – 208 Volt 60 Hz (includes illus. nos. 1, 2, 3, and 6)
	859361	1	Motorized Impellor (fan) Assembly Complete – 230 Volt 60 Hz (includes illus. nos. 1, 2, 3, and 6)
	816086	1	Motorized Impellor (fan) Assembly Complete – 230/400 Volt 50 Hz, 460/480 Volt 60 Hz (includes illus. nos. 1, 2, 3, and 6)
3	882323	1	Motor Plate (white)
	882326	1	Motor Plate (wrinkle coral blue)
4	150511	4	1/4-20 x 1" Hex Head Machine Bolt
5	150512	4	1/4-20 x 1/2" Hex Head Machine Bolt
6	154335	8	M10 x 16 Metric Bolt



Illus. No.	Part No.	Qty.	Description
1	330987	1	Micro Valve Bracket
2	836002	1	Air Jet Solenoid
3	150111	2	1/4-20 x 1/2" Phillips Round Head Machine Screw
4	152014	2	1/4-20 Free Spin Wash Nut
5	151000	2	#6-32 Pal Nut
6	100472	1	1/4" x 1/8" Male Connector
7	150002	2	#6-32 x 1" Phillips Round Head Machine Screw
8	100520	1	1/8" N.P.T. Silencer (muffler)
9	143268	1	1/8" x 90° Brass Straight Elbow
10	100472	1	1/4" x 1/8" Male Connector
11	143115	4	1/4" Poly-Flo Tubing (sold by the foot)

Reversing Relay Panel Assembly

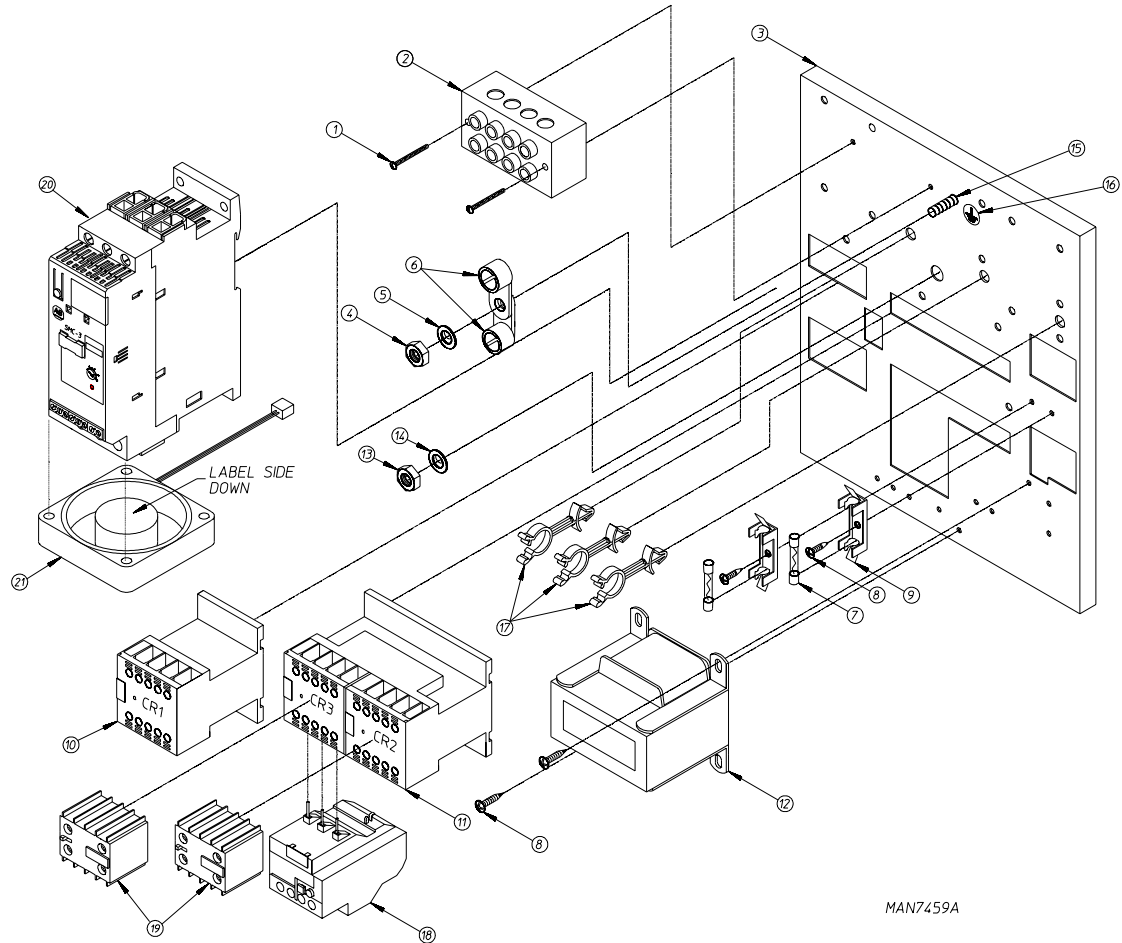
For Models Mfd. prior to February 10, 2006



Illus. No.	Part No.	Qty.	Description
1	150008	2	#6-32 x 1-1/4" Phillips Round Head Machine Screw
2	120701	1	4-Position Terminal Block
3	859356	1	208 Volt Reversing Relay Panel Assembly Complete (includes illus. nos. 1 through 15)
	323743	1	Reversing Relay Panel ONLY
4	151000	1	#6-32 Pal Nut
5	152004	1	5/16-18 Hex Nut
6	153002	1	5/16" Lock Washer
7	121012	1	Ground Lug
8	137060	1	Arc Suppressor Board
9	137013	4	Nylon Standoff
10	136057	2	1/2-Amp (Slo-Blo) Fuse
11	150301	4	#8-18 x 7/16" Phillips Pan Head TEK Screw
12	136008	2	Fuse Holder ONLY
13	132455	1	1 hp 3ø Contactor
14	132497	1	Reversing Contactor
15	132070	1	208-240 Volt Transformer
	881763	1	Transformer Terminal Kit

Reversing Relay Panel Assembly for 208-240 Volts

For Models Mfd. as of February 10, 2006

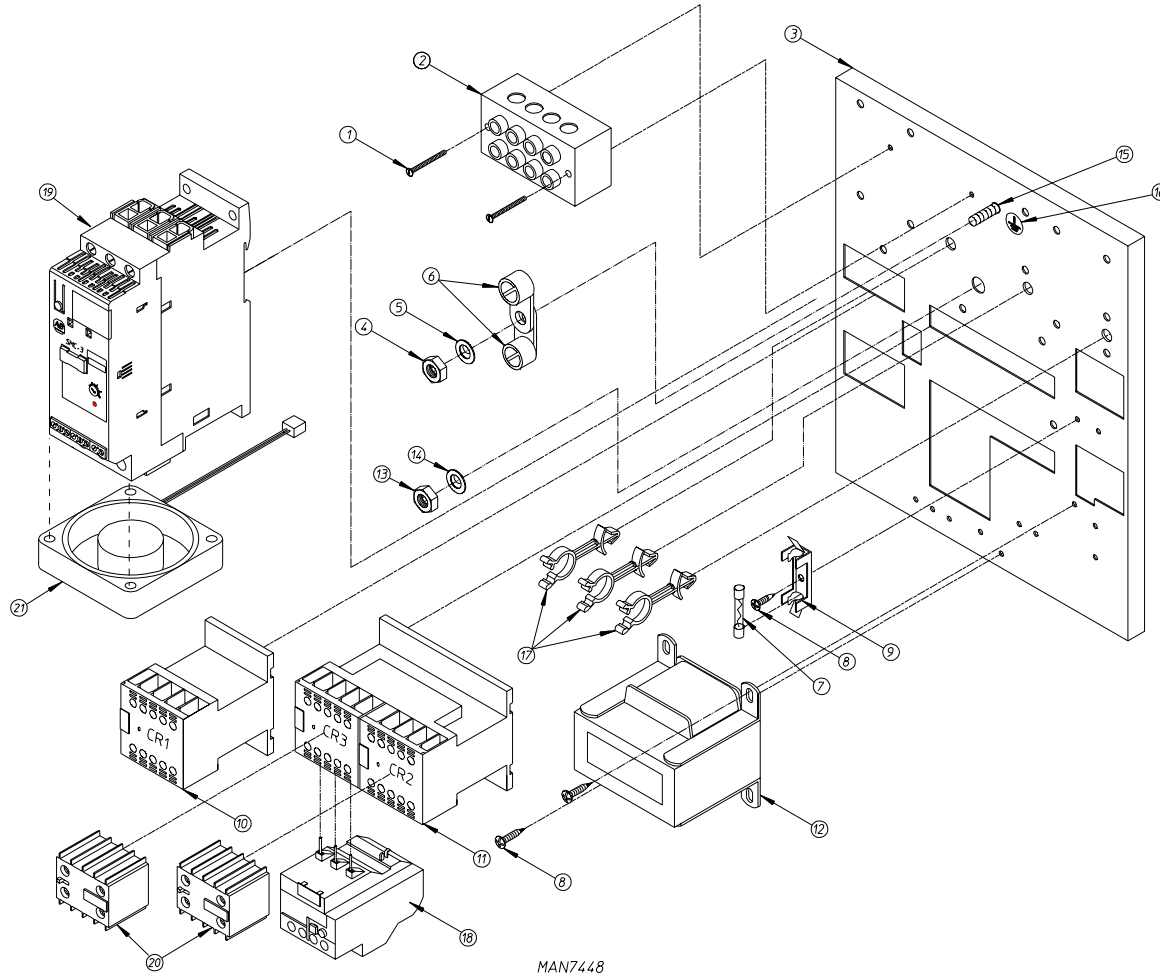


<u>Illus. No.</u>	<u>Part No.</u>	<u>Qty.</u>	<u>Description</u>
1	150539	2	#8 x 1-1/4" PH Phillips AB Zinc Screw
2	120701	1	4-Position Terminal Block
3	323743	1	Relay Panel
4	152002	1	1/4-20 Hex Nut
5	153021	1	1/4" Lock Washer
6	121012	2	Ground Lug
7	136057	2	0.5-Amp 3AG Slo-Blo Fuse
8	150301	3	#8-18 x 7/16" Phillips Head TEK Screw
9	136008	2	Fuse Holder
10	132496	1	9-Amp 2 hp Contactor with Coil Suppression
11	132497	1	Reversing Contactor with Coil Suppression
12	822764	1	208-240V Transformer Assembly
13	152004	1	5/16-18 Hex Nut
14	153002	1	5/16 Lock Washer
15	153525	1	1/4-20 x 1" Self-Clinching Stud
16	112075	1	Ground Label
17	121502	3	1/2" Wire Standoff
18	_____*	1	Overload
19	132449	2	Auxiliary Contact Block 2 N.O.
20	883741	1	Softstart 3A 100-240 VAC Control
21	132282	1	Softstart Fan

* 132457 for 208V @ 60 Hz; 132456 for 220V @ 50 Hz; 132456 for 230V @ 60 Hz.

Reversing Relay Panel Assembly for 380-416 Volts

For Models Mfd. as of March 2, 2006

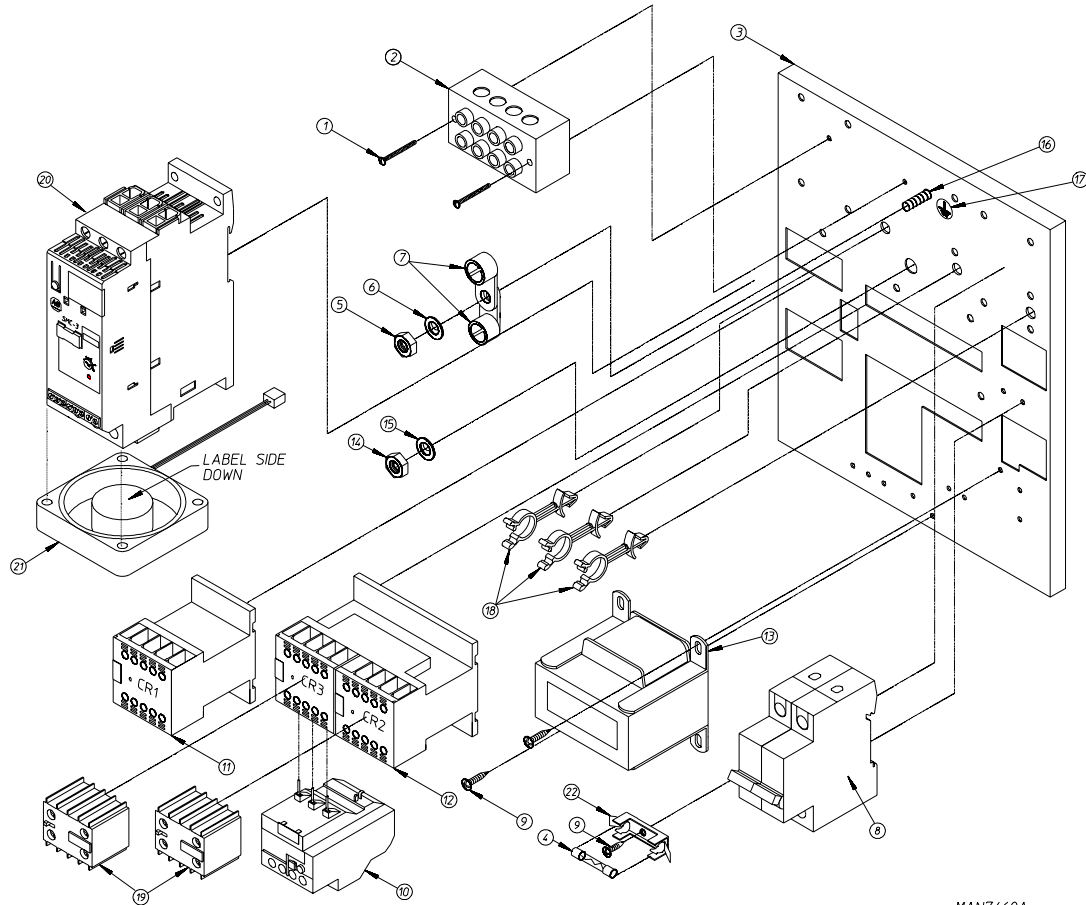


MAN7448

Illus. No.	Part No.	Qty.	Description
1	150539	2	#8 x 1-1/4" PH Phillips AB Zinc Screw
2	120701	1	4-Position Terminal Block
3	323743	1	Relay Panel
4	152002	1	1/4-20 Hex Nut
5	153021	1	1/4" Lock Washer
6	121012	2	Ground Lug
7	136057	1	0.5-Amp 3AG Slo-Blo Fuse
8	150301	3	#8-18 x 7/16" Phillips Head TEK Screw
9	136008	1	Fuse Holder
10	132495	1	6-Amp 2 hp Contactor with Coil Suppression
11	132497	1	Reversing Contactor with Coil Suppression
12	830211	1	380-416V Transformer Assembly
13	152004	1	5/16-18 Hex Nut
14	153002	1	5/16 Lock Washer
15	153525	1	1/4-20 x 1" Self-Clinching Stud
16	112075	1	Ground Label
17	121502	3	1/2" Wire Standoff
18	132454	1	1.2-1.8-Amp Overload
19	883741	1	Softstart 3A 100-240 VAC Control
20	132449	2	Auxiliary Contact Block 2 N.O.
21	132282	1	Softstart Fan

Reversing Relay Panel Assembly for 460-480 Volts

For Models Mfd. as of March 2, 2006

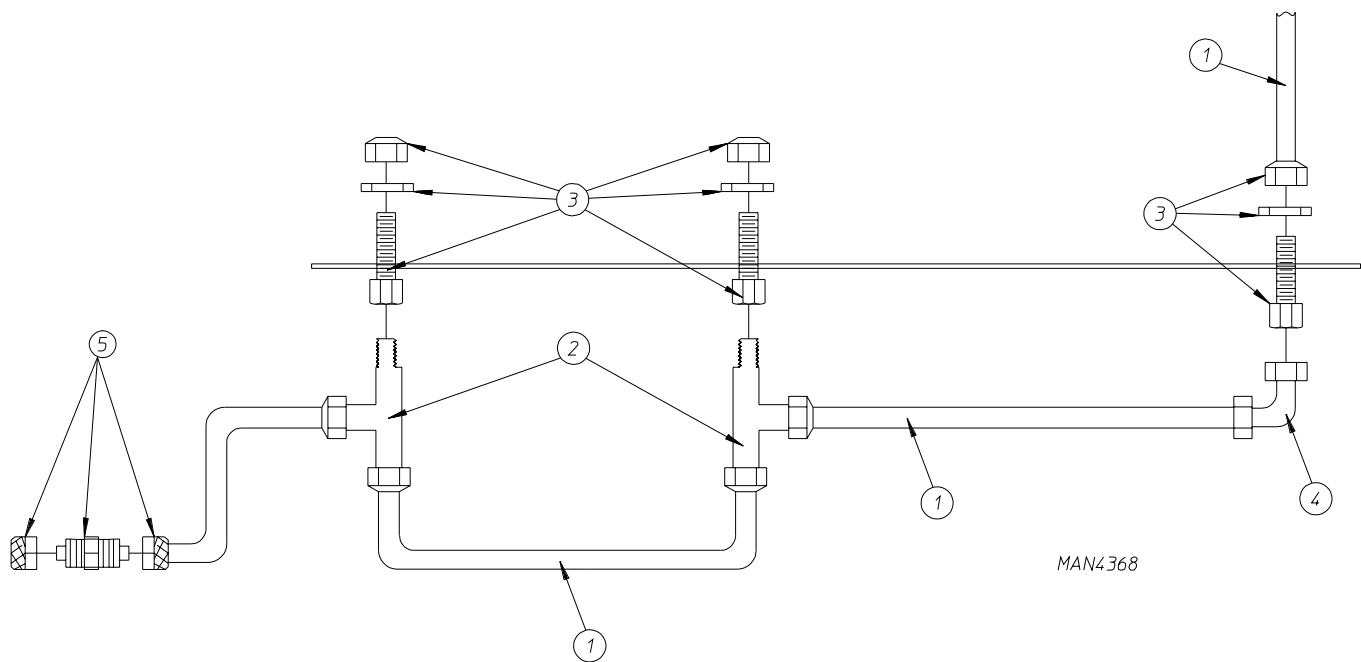


MAN7460A

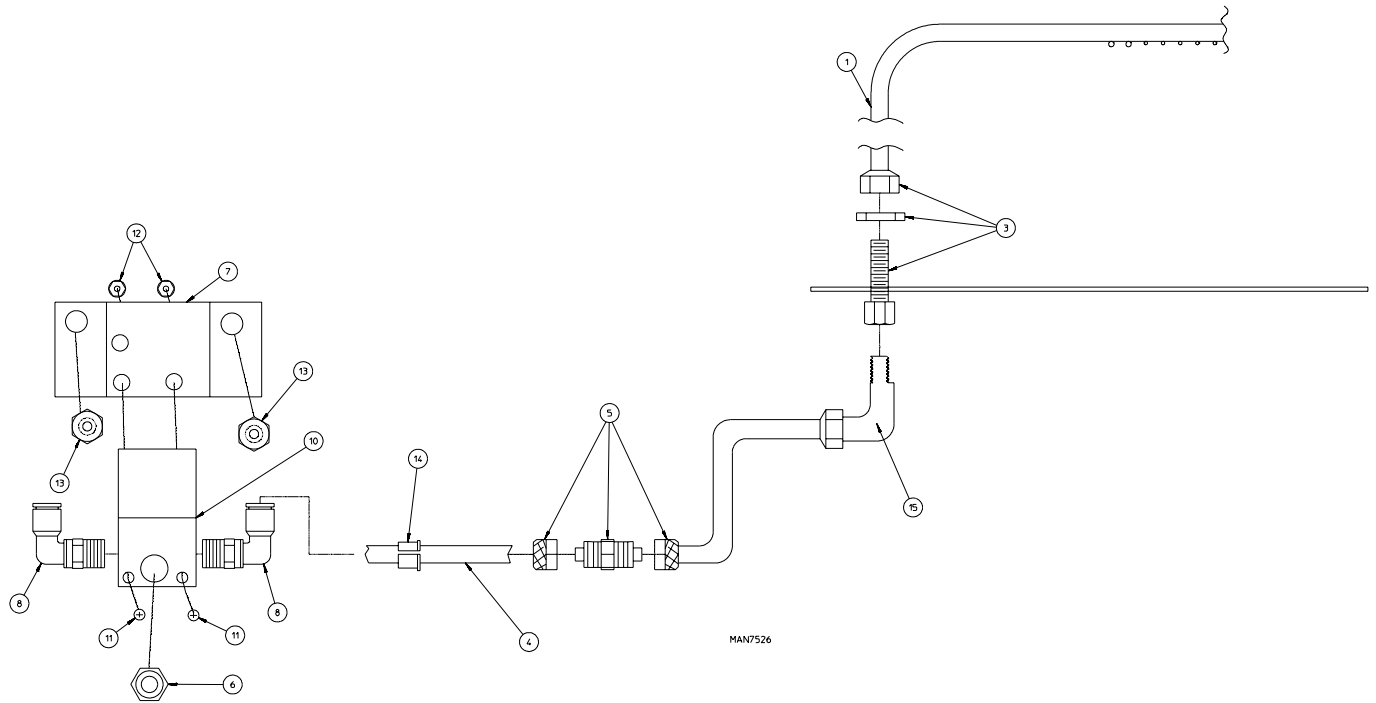
Illus. No.	Part No.	Qty.	Description
1	150539	2	#8 x 1-1/4" PH Phillips AB Zinc Screw
2	120701	1	4-Position Terminal Block
3	323743	1	Relay Panel
4	136057	1	0.5-Amp 3AG Slo-Blo Fuse
5	152002	1	1/4-20 Hex Nut
6	153021	1	1/4" Lock Washer
7	121012	2	Ground Lug
8	135501	1	2-Pole 1-Amp Circuit Breaker
9	150301	3	#8-18 x 7/16" Phillips Head TEK Screw
10	132454	1	1.2-1.8-Amp Overload
11	132495	1	6-Amp 2 hp Contactor with Coil Suppression
12	132497	1	Reversing Contactor with Coil Suppression
13	830211	1	460-480V Transformer Assembly
14	152004	1	5/16-18 Hex Nut
15	153002	1	5/16 Lock Washer
16	153525	1	1/4-20 x 1" Self-Clinching Stud
17	112075	1	Ground Label
18	121502	3	1/2" Wire Standoff
19	132449	2	Auxiliary Contact Block 2 N.O.
20	883741	1	Softstart 3A 100-240 VAC Control
21	132282	1	Softstart Fan
22	136008	1	Fuse Holder

Air Jet Assembly

For Models Mfd. prior to April 2, 2004



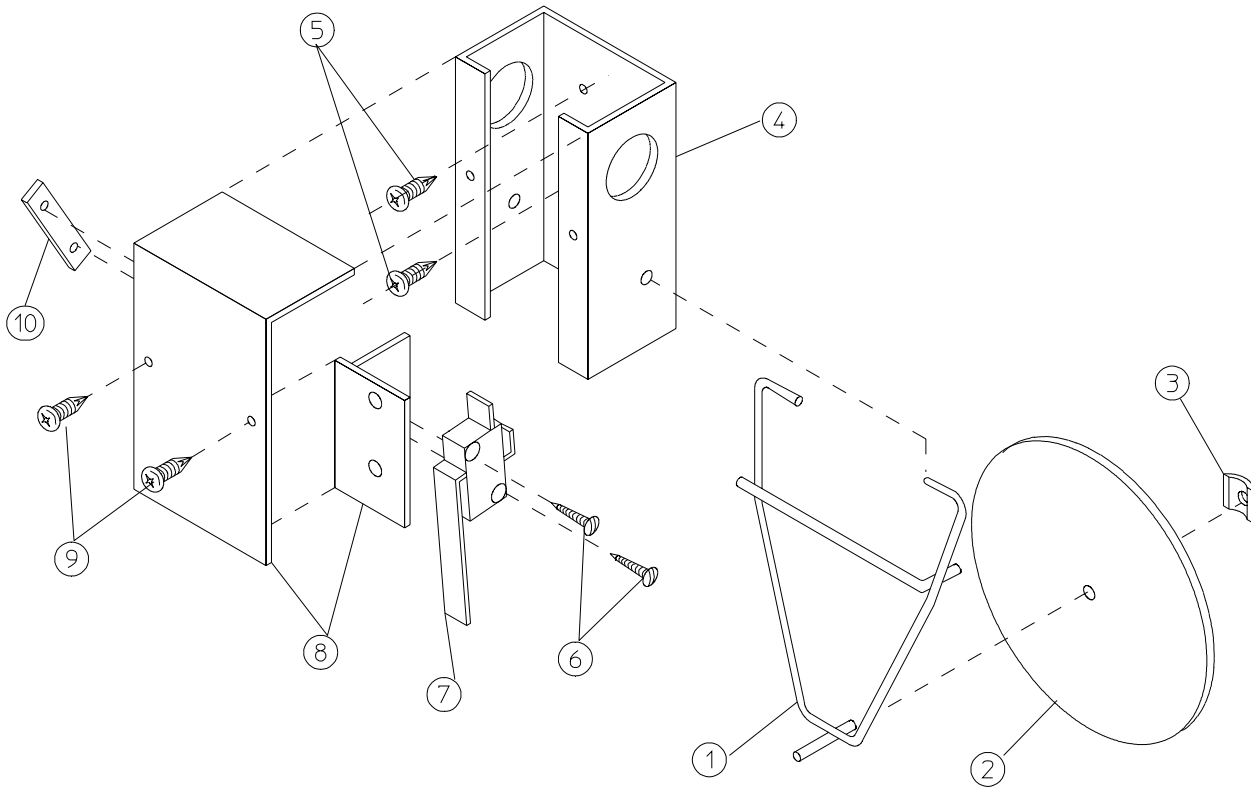
Illus. No.	Part No.	Qty.	Description
1	143100	6	1/4" Aluminum Tubing (sold by the foot)
2	143287	2	1/4" x 1/8" M.P.T. Male Run Tee
3	143259	3	1/4" x 1/8" F.P.T. Bulkhead Fitting
4	143115	4	1/4" Poly-Flo Tubing (sold by the foot)
5	143154	1	1/4" Poly Union



MAN7526

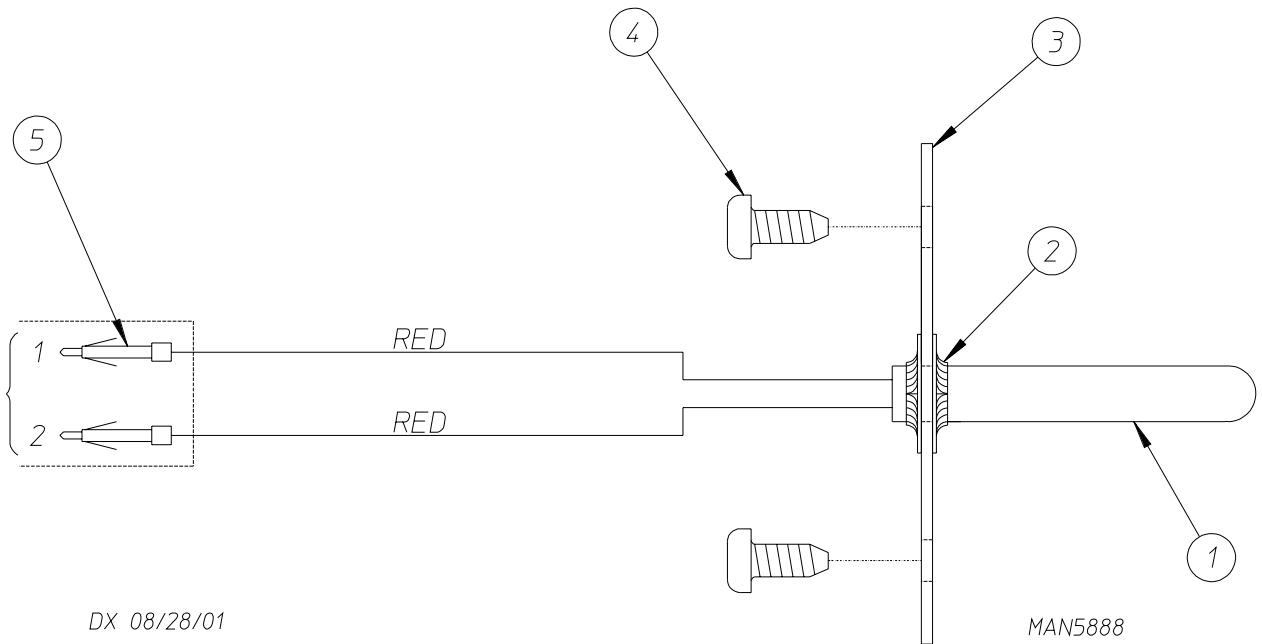
Illus. No.	Part No.	Qty.	Description
1	859401	1	Air Jet Tubing II
2			
3	143259	1	Bulkhead Fitting, 1/4 Tube x 1/8" F.P.T.
4	143115	4'	1/4" Dia Poly-Flo Tube
5	143154	1	1/4" Poly Union
6	143250	1	1/8" M.P.T. Brass Plug
7	330987	1	Bracket
8	143149	2	1/4" Poly x 1/8" M.P.T. 90° Elbow
9			
10	822734	1	Air Jet Solenoid
11	150002	2	#6-32 x 1" Phillips RH MS PLTD
12	151000	2	#6-32 Pal Nut Plated
13	152014	2	1/4-20 with 3/4" Free Spin Wash Nut
14	121300	1	Open / Closed Bushing
15	143277	1	1/4" x 1/8" M.P.T. Elbow

Sail Switch Assembly



MAN0440

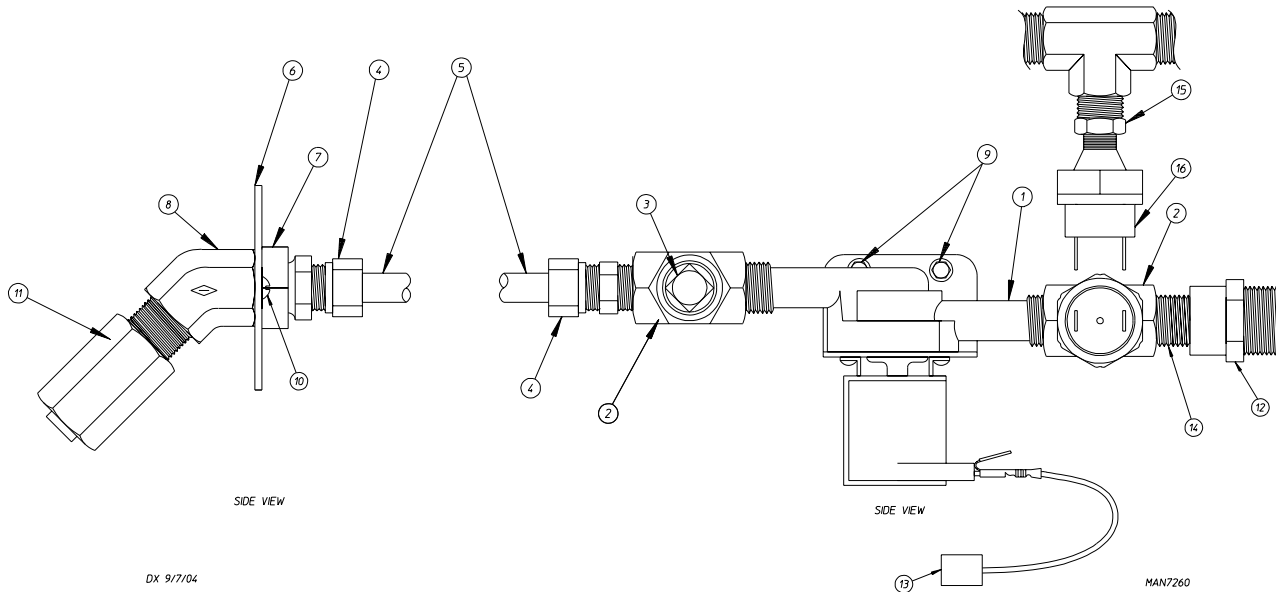
Illus. No.	Part No.	Qty.	Description
1	105500	1	Sail Switch Actuator Rod
2	319202	1	Sail Switch Damper (flat)
3	154002	1	1/8" Push-On Fastener
4	802800	1	Sail Switch Box with Cover and Bracket ONLY
	802801	1	Sail Switch Box Assembly Complete (includes illus. nos. 1 through 4 and 6 through 10)
5	150309	2	#10-16 x 1/2" Hex Head TEK Crimptite Screw
6	150303	2	#44 x 3/4" Pan Head "A" Machine Screw
7	122200	1	Sail Switch ONLY
8	802799	1	Sail Switch Box Cover and Bracket ONLY
9	150309	2	#10-16 x 1/2" Hex Head TEK Crimptite Screw
10	154004	1	Twin Speed Nut



Illus. No.	Part No.	Qty.	Description
1	822752	1	Fire Suppression System Temperature Probe Assembly (includes illus. nos. 1 through 5)
2	154007	2	Push-On Fastener
3	390390	1	Sensor Bracket ONLY
4	150301	2	#8-18 Phillips Pan Head TEK Screw
5	122647	1	Connector ONLY
	122700	2	Pin

F.S.S. Solenoid Assembly

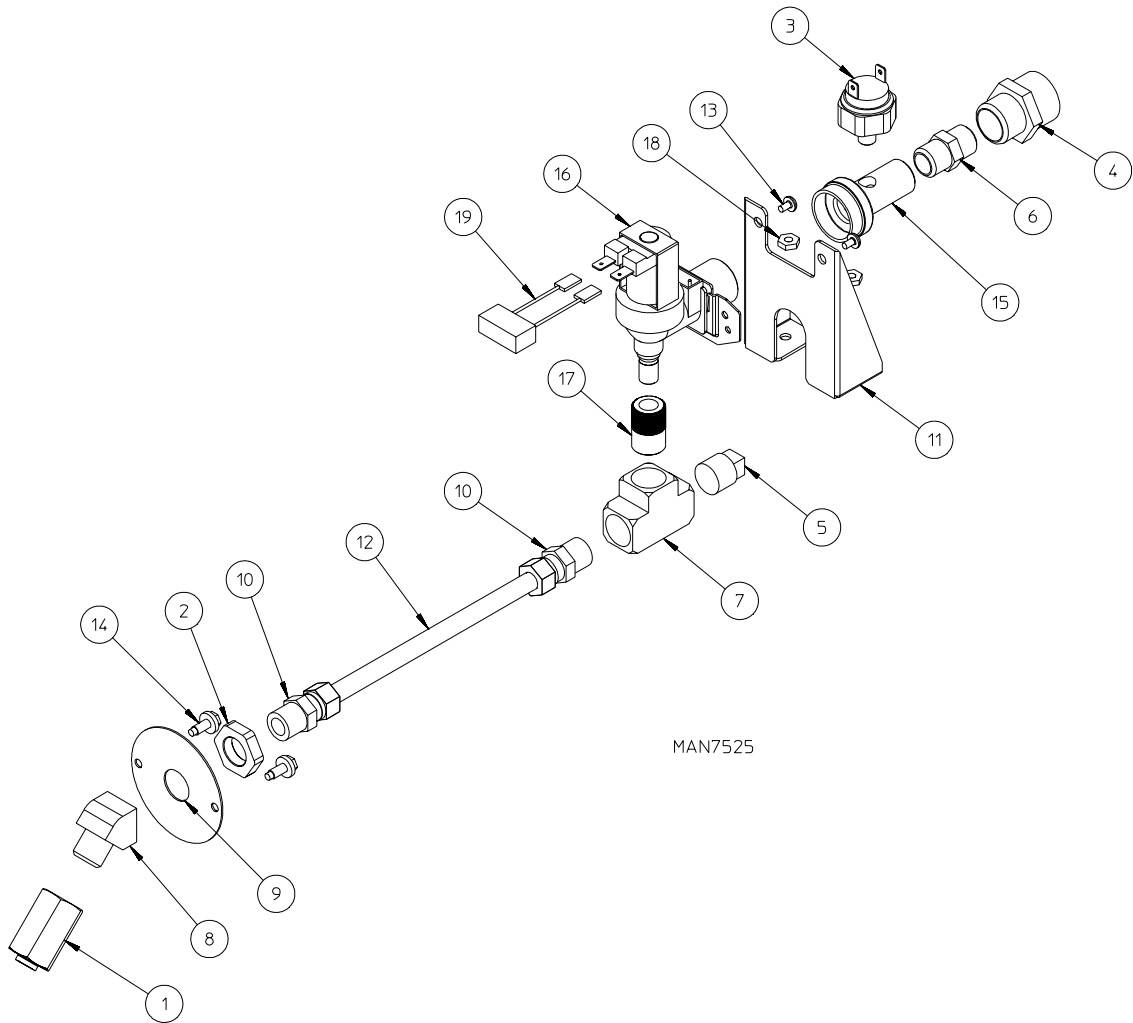
For Models Mfd. prior to October 2, 2002



<u>Illus. No.</u>	<u>Part No.</u>	<u>Qty.</u>	<u>Description</u>
1	165114	1	Solenoid Valve 24 VAC 50/60 Hz
2	143220	2	3/8" F.P.T. Brass Tee
3	143251	1	3/8" M.P.T. Brass Plug
4	143208	2	3/8" Comp x 3/8" M.P.T. Brass Connector
5	143108	1	20" Long Stainless Steel Flexible Tubing
6	311588	1	Sprinkler Head Mounting Plate
7	143303	1	3/8" N.P.T. Brass Lock Nut
8	143301	1	3/8" Brass 45° Elbow
9	152001	2	#8-32 x 3/8" OD Hex Nut
10	150430	2	#10 x 1/2" Self-Drilling Screw
11	143581	1	3 GPM 3/8" F.P.T. Spray Nozzle
12	143025	1	3/8" N.P.T. Nylon Hose Adapter
13	824081	1	RC Network Assembly
14	143315	1	3/8" x 1/8" Bushing
15	182579	1	3/8" Hex Nipple (for models mfd. as of December 3, 2003)
16	136987	1	Pressure Switch (for models mfd. as of December 3, 2003)

F.S.S. Solenoid Assembly

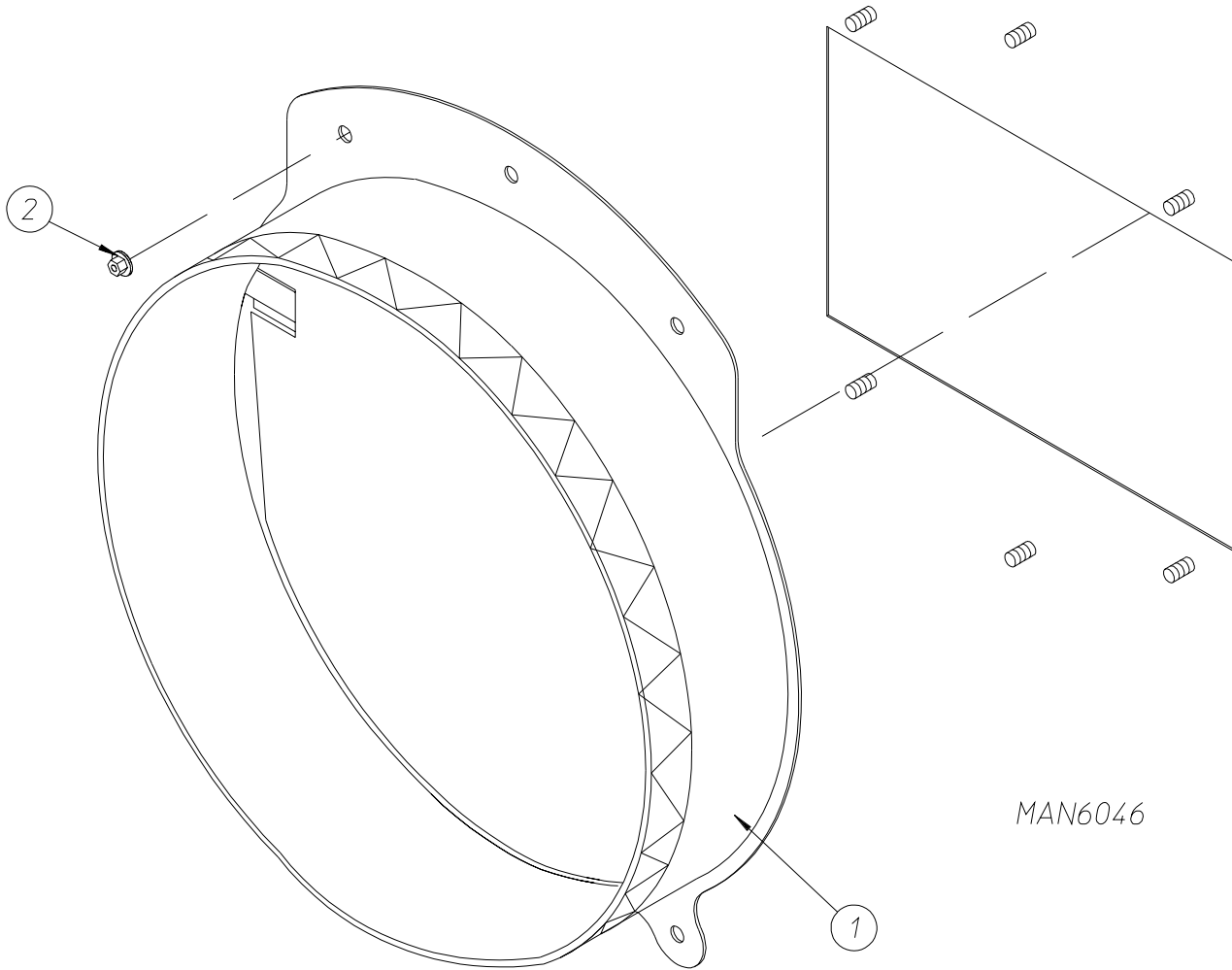
For Models Mfd. as of October 2, 2002



MAN7525

<u>Illus. No.</u>	<u>Part No.</u>	<u>Qty.</u>	<u>Description</u>
1	143581	1	Fire Suppression System 3 GPM 0.375 N.P.T. Spray Nozzle
2	143303	1	0.375 N.P.T. Brass Lock Nut
3	136987	1	Water Jet Pressure Switch
4	143025	1	0.75-11.5 NH x 0.375 N.P.T. Nylon Hose Adapter
5	143251	1	0.375 M.P.T. Brass Plug
6	182579	1	0.375 M.P.T. x 0.375 M.P.T. Brass Hex Nipple
7	143220	1	0.375 F.P.T. Brass Tee
8	143301	1	0.375 Brass 45° Street Elbow
9	311588	1	Fire Suppression System Sprinkler Head Mounting Plate
10	143208	2	0.375 Comp x 0.375 M.P.T. Brass Connector
11	311587	1	Medium Dryer Fire Suppression System Valve Bracket
12	143108	1	20" Stainless Steel Flex Hose with 0.375 Compression
13	154338	2	M4 x 6 mm Phillips Head Slotted Machine Screw
14	150309	2	#10-16 x 1 2 Hex Head TEK Crimptite
15	143182	1	0.75 GHT x 0.125 x 0.375 N.P.T. Brass Tee
16	165119	1	Fire Suppression System Water Inlet Valve
17	143183	1	0.4375-20 x 0.375 N.P.T. Brass Adapter 2
18	152001	2	#8-32 3 8 Hex Nut Zinc
19	824081	1	R.C. Network Assembly

Exhaust Collar Assembly



DMG 1/2/02

<u>Illus. No.</u>	<u>Part No.</u>	<u>Qty.</u>	<u>Description</u>
1	883281	1	Adapter Collar with Back Draft Damper
2	152014	5	1/4-20 Free Spin Wash Nut

