



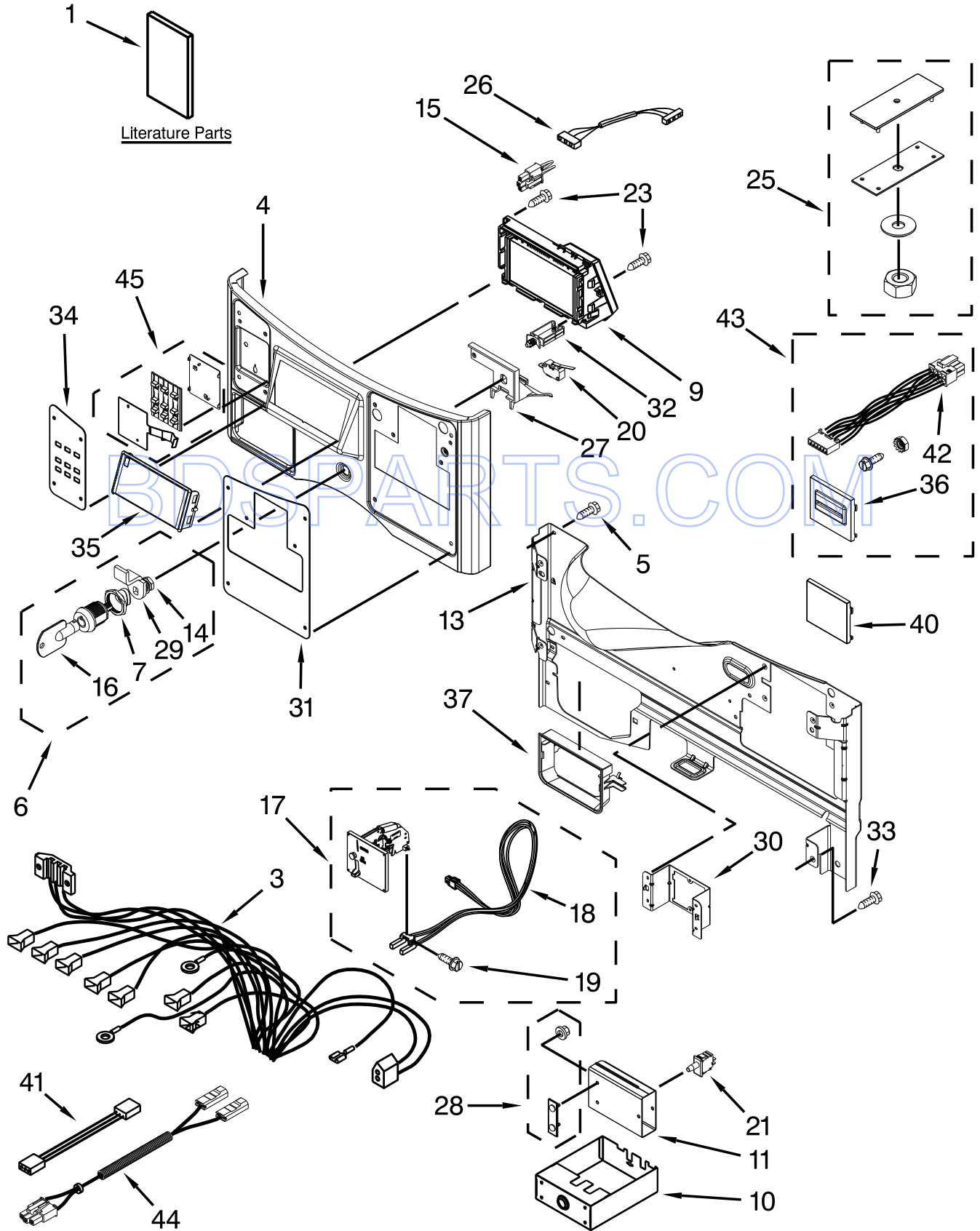
COMMERCIAL STACKED

MODELS:

MLE20PDBZW2 (White)
MLG20PDBWW2 (White)
MLE20PRBZW2 (White)
MLG20PRBWW2 (White)

BDSPARTS.COM

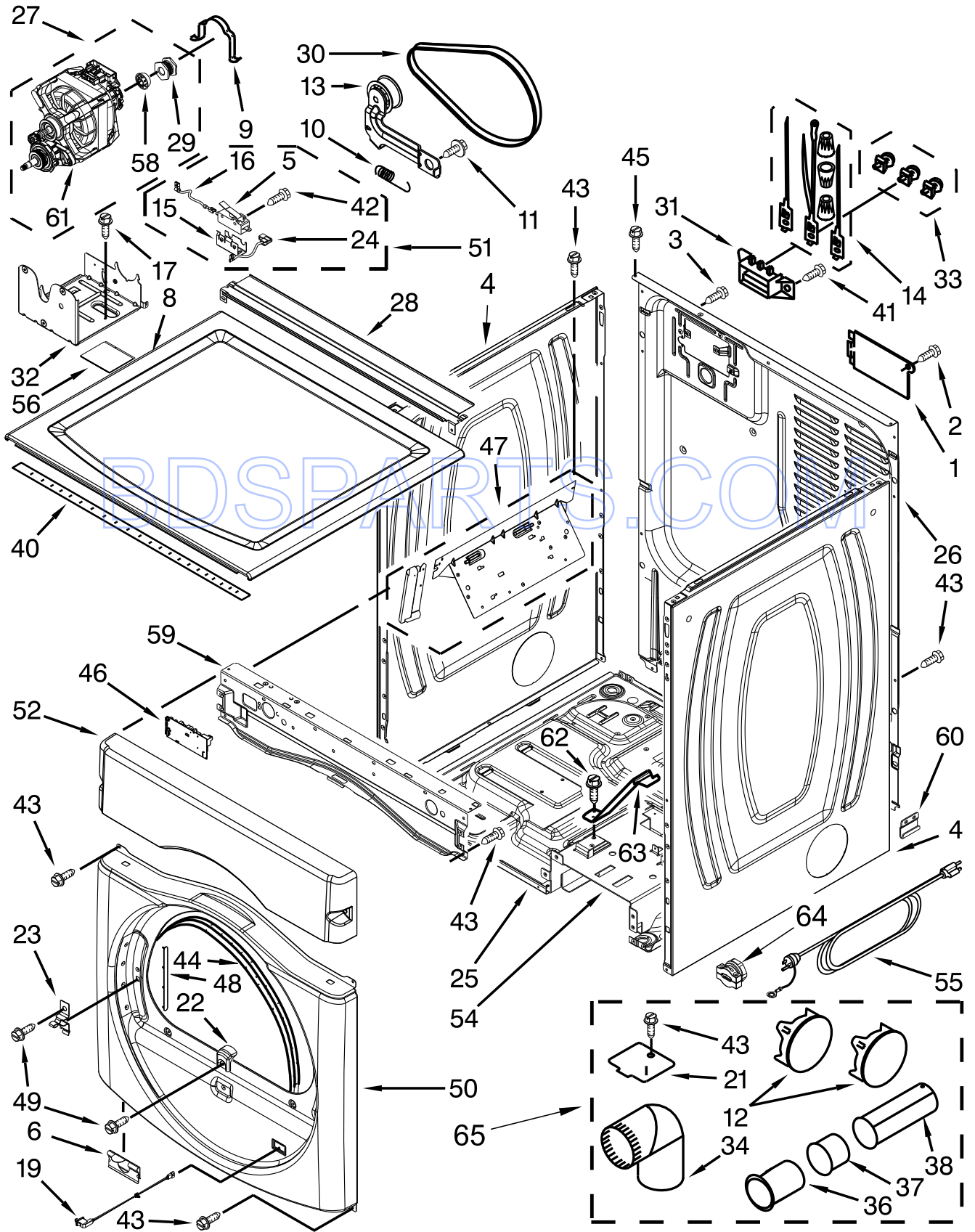
CONTROL PANEL PARTS



CONTROL PANEL PARTS

| <u>Illus. No.</u> | <u>Part No.</u> | <u>Description</u> | <u>Illus. No.</u> | <u>Part No.</u> | <u>Description</u> | <u>Illus. No.</u> | <u>Part No.</u> | <u>Description</u> |
|-------------------|-----------------|--|-------------------|-----------------|--|-------------------|-----------------|--------------------------------------|
| 1 | | Literature Parts | 13 | W10198369 | Bracket, Console | 30 | W10198322 | Bracket |
| | W10045641 | Instructions, Installation | 14 | W10177242 | Nut, Hex | | | Bracket - PD Coin Drop & PN Non Coin |
| | W10434041 | Instructions, Installation Canadian | 15 | W10133282 | Jumper, Switch Service/Vault | W10198323 | | Bracket |
| | W10335470 | Instructions, Installation Card Reader | 16 | W10140858 | Key, Access Door | | | PR - Card Reader |
| | W10335471 | Sheet, Tech | 17 | W10198395 | Assembly, Dual Coin Drop | 31 | W10198334 | Fascia |
| 3 | W10555303 | Harness, Wiring (Electric Models) | | | MLE20PDBZW2 | | | PD - Coin Drop |
| | W10555305 | Harness, Wiring (Gas Models) | | W10133242 | Assembly, Single Coin Drop | W10198336 | | Fascia |
| 4 | W10198200 | Assembly, Panel PD - Coin Drop | 18 | | MLG20PDBWW2 | 32 | W10129069 | Clip, Wire |
| | W10198201 | Assembly, Panel PR - Card Reader | | | Coin Optic Sensor Assembly | 33 | W10386302 | Screw |
| 5 | 3390647 | Screw | | W10247389 | White | 34 | W10198284 | Buttons, Fascia |
| 6 | W10133264 | Assembly, Lock Access Door | | W10247388 | Black | 35 | W10198390 | Display, Window |
| 7 | W10139762 | Nut, Hex | 19 | W10142655 | Screw | 36 | W10198367 | Bezel |
| 9 | W10198219 | Assembly, Techbox PD - Coin Drop | 20 | W10447152 | Switch, Service Access | 37 | W10198345 | Collar, Dispenser |
| | W10198220 | Assembly, Techbox PR - Card Reader | 21 | W10131838 | Switch, Vault Service Door | 40 | W10198366 | Cover PD/PN |
| 10 | W10133248 | Box, Coin | 23 | W10192860 | Screw | 41 | W10342214 | Cable Set, UI to CCU Communication |
| 11 | W10133258 | Assembly, Vault Body | 25 | W10169579 | Kit-Coin Box, Security (To be serviced as a kit) | 42 | W10239515 | Harness, Card Reader |
| | | | 26 | W10242897 | Harness, Wire Dryer CCU to UIC | 43 | W10198451 | Card Reader, Conversion Kit |
| | | | 27 | W10198375 | Console, Support | 44 | W10300896 | Wire Harness, Vault Switch |
| | | | 28 | W10159907 | Assembly, Mounting Strap Weld | 45 | W10198198 | Assembly, Button Set |
| | | | 29 | W10133266 | Cam, Locking | | | |

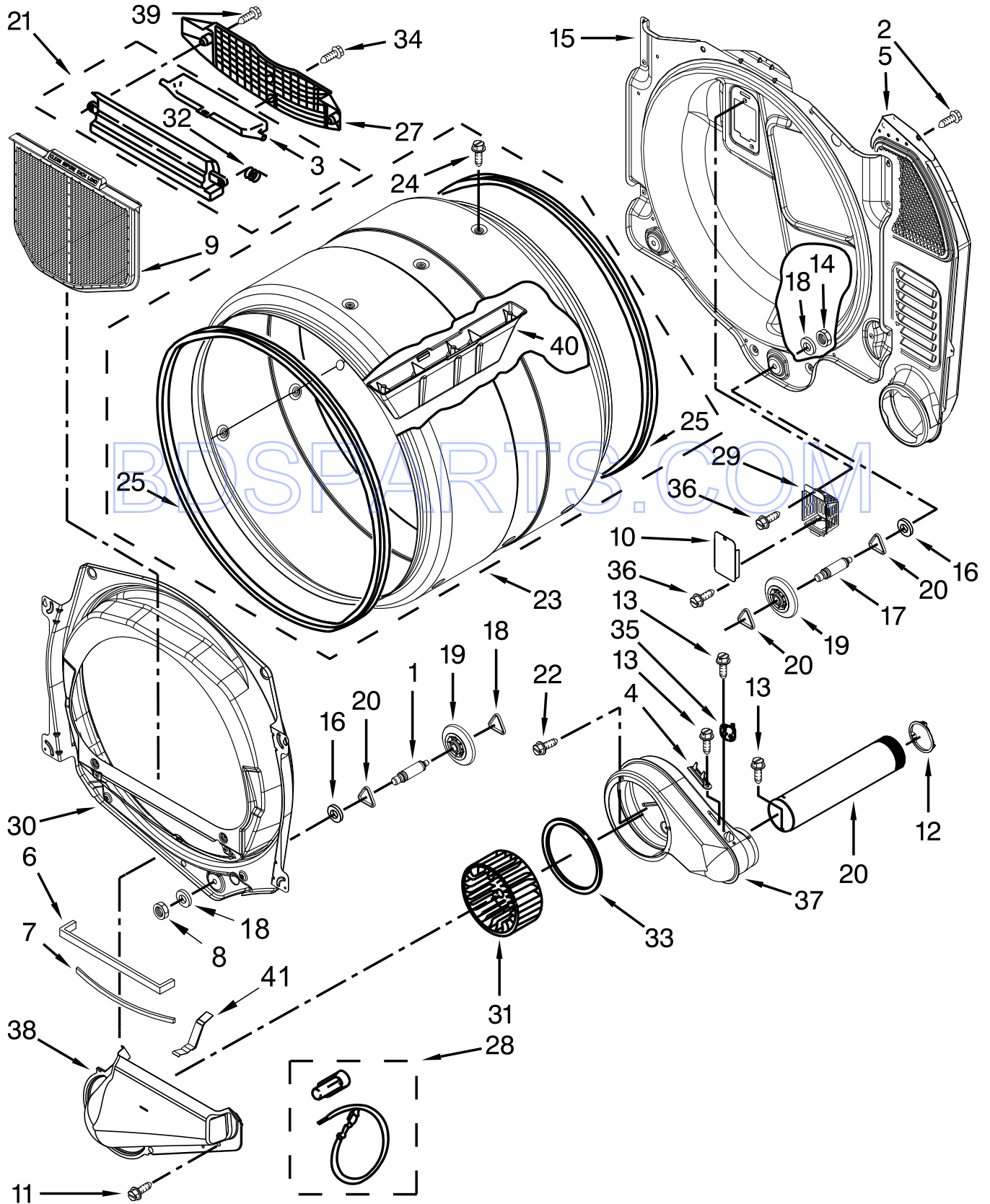
DRYER CABINET PARTS



DRYER CABINET PARTS

| <u>Illus. No.</u> | <u>Part No.</u> | <u>Description</u> | <u>Illus. No.</u> | <u>Part No.</u> | <u>Description</u> | <u>Illus. No.</u> | <u>Part No.</u> | <u>Description</u> |
|-------------------|-----------------|---|-------------------|-----------------|-----------------------------------|-------------------|-----------------|--|
| 1 | W10286180 | Cover, Terminal Block | 25 | W10198309 | Base, Cabinet PD - Coin Drop | 49 | 3357011 | Screw |
| 2 | 3390814 | Screw | | 8565046 | Base, Cabinet PR - Card Reader | 50 | | Panel, Front |
| 3 | 8533974 | Screw | | | | | W10549665 | White |
| 4 | | Panel, Side | 26 | 8565059 | Panel, Rear | 51 | W10155571 | Switch, Assembly |
| | W10542714 | White | 27 | W10396034 | Assembly, Motor 60 HZ. | 52 | W10198215 | Enclosure, CCU Assembly |
| 5 | 8564010 | Assembly, Switch and Actuator | 28 | W10198224 | Bracket, Water Channel | 54 | W10133261 | Vault Switch, Bracket |
| 6 | 8519459 | Clip, Toe Panel | 29 | 3394341 | Pulley, Motor | 55 | W10489863 | Cord, Power Canadian (Electric Models) |
| 8 | | Lid & Bumper Assembly | 30 | W10131172 | Belt, Drive | | W10440461 | Cord, Power (Gas Models) |
| | W10336080 | White | 31 | 3397659 | Block, Terminal | | | |
| 9 | 660658 | Clamp, Motor | 32 | W10135695 | Bracket, Motor | 56 | W10212660 | Motor, Sound Pad |
| 10 | W10446781 | Spring, Idler | 33 | 279393 | Screw Kit, Terminal Block | 58 | 3393657 | Restrainer, Belt |
| 11 | 3389420 | Screw | 34 | 49026 | Elbow | 59 | 8565237 | Bracket, Console |
| 12 | | Multivent Plug | 36 | 8563747 | Pipe, Exhaust (Medium) | 60 | W10198461 | Bracket, Stack |
| | 697750 | White | 37 | 8563750 | Pipe, Exhaust (Short) | 61 | 3405160 | Belt, Drive (Blower Wheel) |
| 13 | W10344192 | Assembly, Idler | 38 | 8563749 | Pipe, Exhaust (Long) | 62 | 693995 | Screw |
| 14 | 279318 | Terminal, Brass and Tinned (Includes Terminal Block Screw Kit) | 40 | 8318396 | Seal, Foam | 63 | W10198376 | Bracket, Burner |
| 15 | 8564011 | Bracket, Switch | 41 | 8533971 | Screw | 64 | 8316644 | Relief, Strain (Power Cord) |
| 16 | W10167613 | Wire, Belt Switch | 42 | W10002600 | Screw | 65 | | Optional Parts Not Included Dryer Exhaust Kit (For Side & Bottom Venting) |
| 17 | 343641 | Screw | 43 | 3390647 | Screw | | 279818 | White |
| 19 | W10350910 | Assembly, Door Switch | 44 | 3387242 | Seal, Front Panel | | | |
| 21 | 8066115 | Plate, Cover | 45 | 3393008 | Screw | | | |
| 22 | 8580015 | Ramp, Door | 46 | W10376685 | Control Board | | | |
| 23 | 8565122 | Strike, Door | 47 | 8563727 | Bracket, Control | | | |
| 24 | 8539892 | Wire, Motor To Belt Switch | 48 | 8565043 | Plug, Front Panel | | | |

BULKHEAD AND BLOWER PARTS

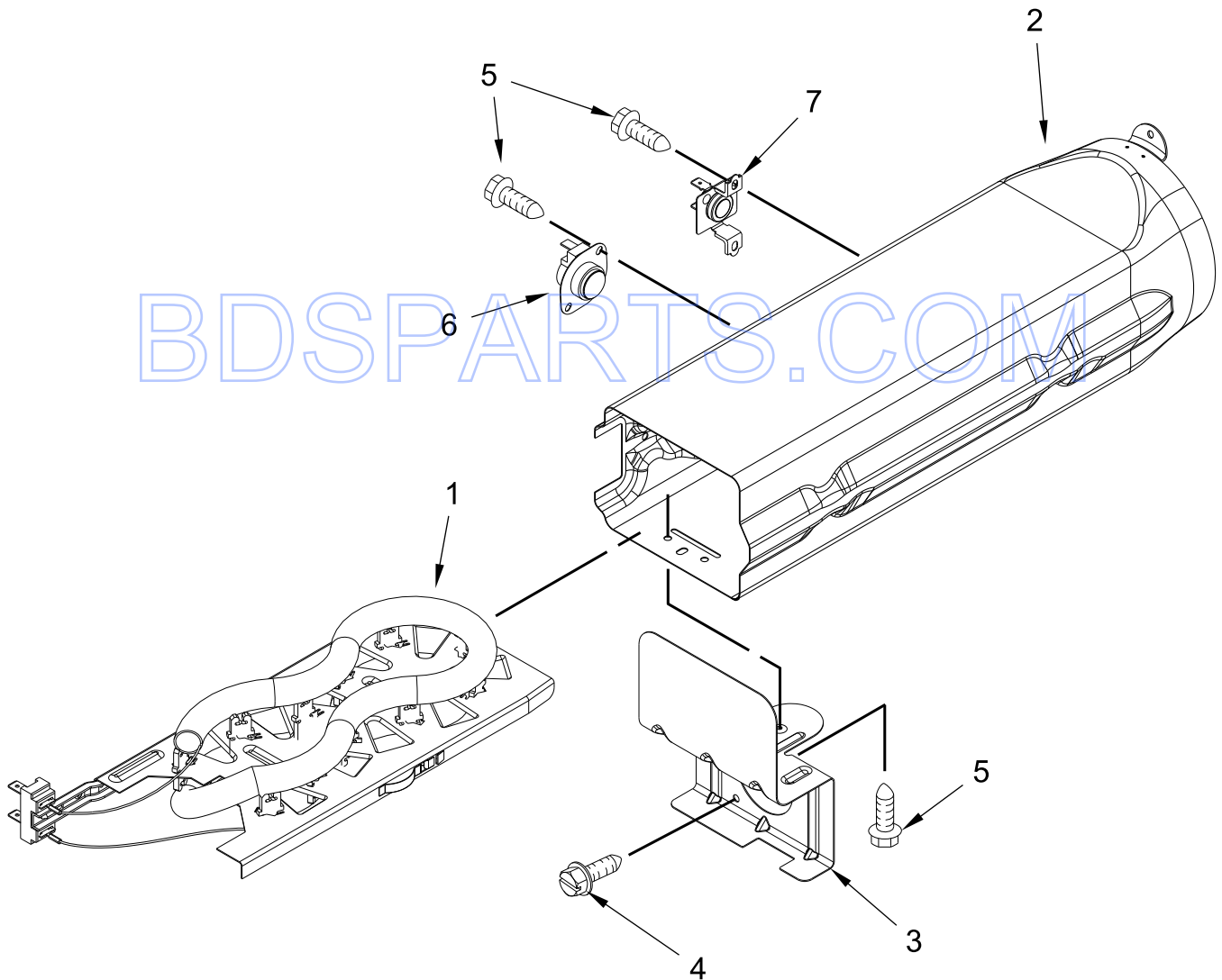


BULKHEAD AND BLOWER PARTS

| <u>Illus. No.</u> | <u>Part No.</u> | <u>Description</u> | <u>Illus. No.</u> | <u>Part No.</u> | <u>Description</u> | <u>Illus. No.</u> | <u>Part No.</u> | <u>Description</u> |
|-------------------|-----------------|--|-------------------|-----------------|---------------------------------------|-------------------|-----------------|--|
| 1 | W10359271 | Shaft, Drum Roller - Right Hand Thread | 12 | W10344699 | Collar, Duct | 28 | 279457 | Terminal Wire Kit (For Heater Element Wiring Harness Repair) |
| 2 | 3390647 | Screw | 13 | 8533971 | Screw | 29 | W10465334 | Bracket, Drum Light |
| 3 | W10153413 | Door, Lint Screen | 14 | W10001120 | Nut, Hex (Left Hand Thread) | 30 | 8565061 | Bulkhead, Front |
| 4 | 3392519 | Fuse, Thermal (91C) | 15 | W10080170 | Bulkhead, Rear | 31 | W10349492 | Wheel, Blower |
| 5 | 697354 | Assembly, Air Duct (Electric Models) | 16 | 3387459 | Washer | 32 | 3394986 | Spring, Lint Screen Door |
| | 3394346 | Assembly, Air Duct (Gas Models) | 17 | W10359272 | Shaft, Drum Roller - Left Hand Thread | 33 | 697770 | Seal, Plate Cover |
| 6 | 697813 | Seal, Outlet Housing | 18 | W10512946 | Washer, Tri Ring | 34 | 695240 | Screw |
| 7 | 697814 | Seal, Drum Front | 19 | W10314171 | Roller, Support | 35 | 8577274 | Thermistor |
| 8 | 3934666 | Nut, Hex | 20 | 8563728 | Pipe, Exhaust | 36 | 3390647 | Screw |
| 9 | W10049370 | Screen, Lint | 21 | W10153423 | Assembly, Outlet Housing | 37 | 8544362 | Housing, Blower |
| 10 | 3402841 | Lens, Drum Light | 22 | 489463 | Screw | 38 | 8066168 | Assembly, Lint Duct |
| 11 | 359625 | Screw | 23 | W10549246 | Assembly, Drum (Complete) | 39 | 3387230 | Screw |
| | | | 24 | W10219342 | Screw | 40 | W10153409 | Baffle, Drum |
| | | | 25 | W10521118 | Seal, Drum | 41 | W10345456 | Clip, Spring |
| | | | 27 | W10153412 | Grille, Outlet | | | |

BDSPARTS.COM

DRYER HEATING PARTS-ELECTRIC

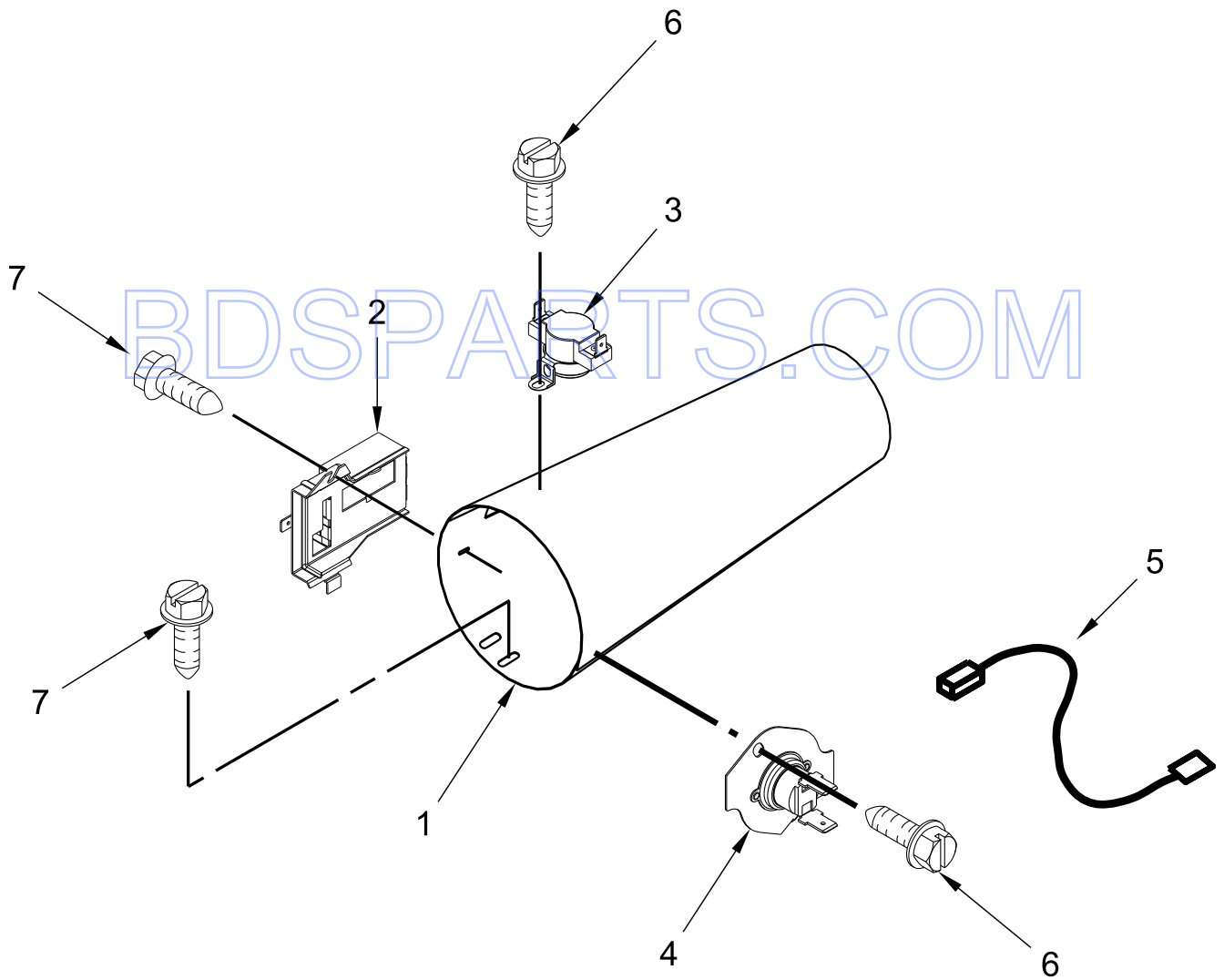


DRYER HEATING PARTS-ELECTRIC

| <u>Illus.</u> <u>No.</u> | <u>Part No.</u> | <u>Description</u> | <u>Illus.</u> <u>No.</u> | <u>Part No.</u> | <u>Description</u> | <u>Illus.</u> <u>No.</u> | <u>Part No.</u> | <u>Description</u> |
|-----------------------------|-----------------|------------------------------|-----------------------------|-----------------|---------------------|-----------------------------|-----------------|---|
| 1 | W10157669 | Element, Heater | 3 | 8066099 | Bracket, Heater Box | 5 | 90767 | Screw |
| 2 | 3392537 | Assembly, Weld Heater Box | | | PR - Card Reader | 6 | 3391914 | Thermostat HL-295/215 |
| | | | | W10198340 | Bracket, Heater Box | 7 | 8318314 | Kit, Thermal Cut-Off (Includes High Limit Thermostat) |
| | | | 4 | 693995 | Screw | | | |

BDSPARTS.COM

DRYER HEATING PARTS - GAS

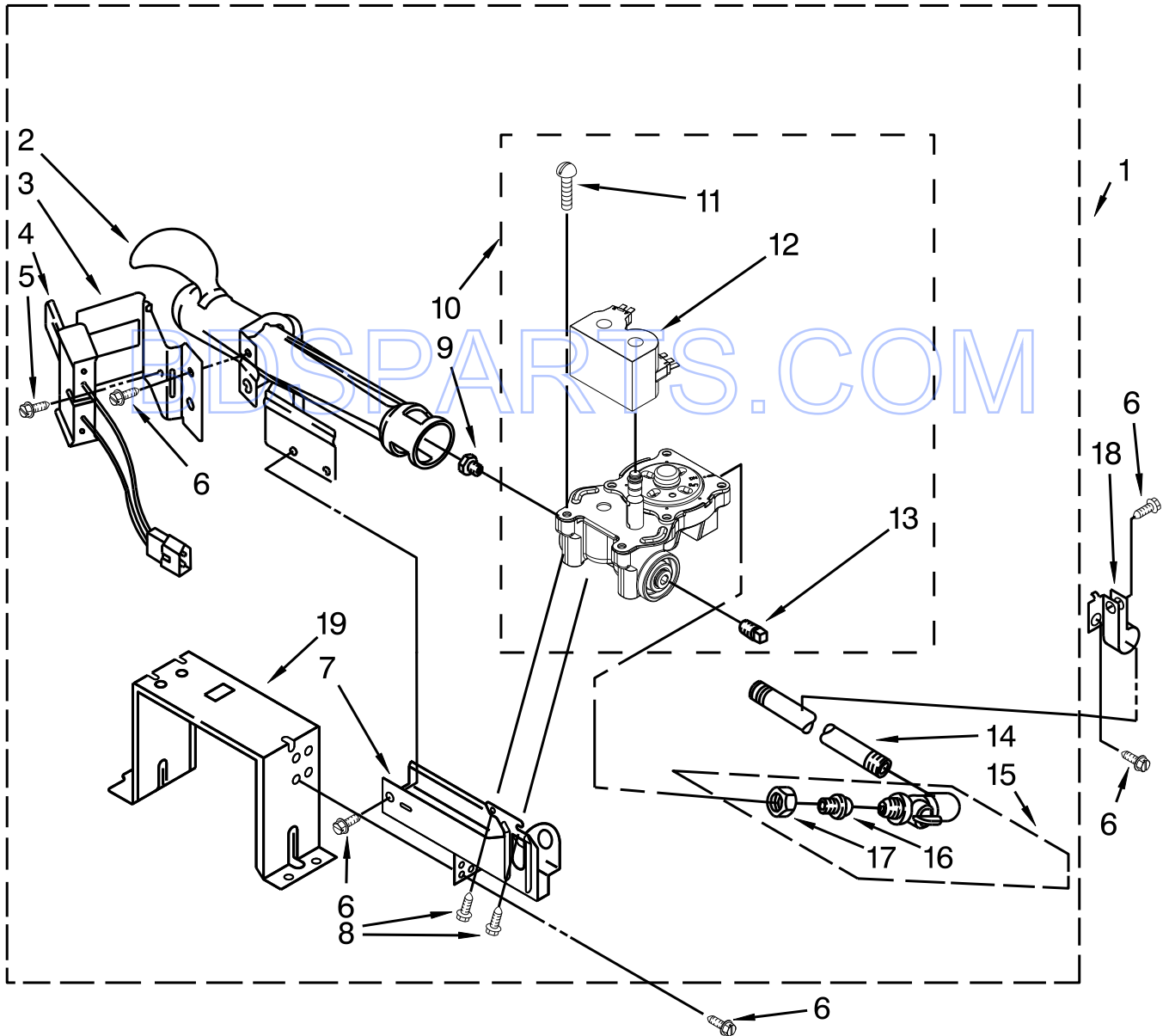


DRYER HEATING PARTS - GAS

| <u>Illus.</u> <u>No.</u> | <u>Part No.</u> | <u>Description</u> | <u>Illus.</u> <u>No.</u> | <u>Part No.</u> | <u>Description</u> | <u>Illus.</u> <u>No.</u> | <u>Part No.</u> | <u>Description</u> |
|-----------------------------|-----------------|----------------------|-----------------------------|-----------------|--------------------|-----------------------------|-----------------|--------------------|
| 1 | 8573824 | Funnel, Burner | 4 | 8573713 | Cut-Off, Thermal | 6 | 90767 | Screw |
| 2 | 338906 | Sensor, Radiant | 5 | 3401707 | Jumper, Wire | 7 | 3390647 | Screw |
| 3 | 3391912 | Thermostat, Hi Limit | | | | | | |

BDSPARTS.COM

BURNER ASSEMBLY

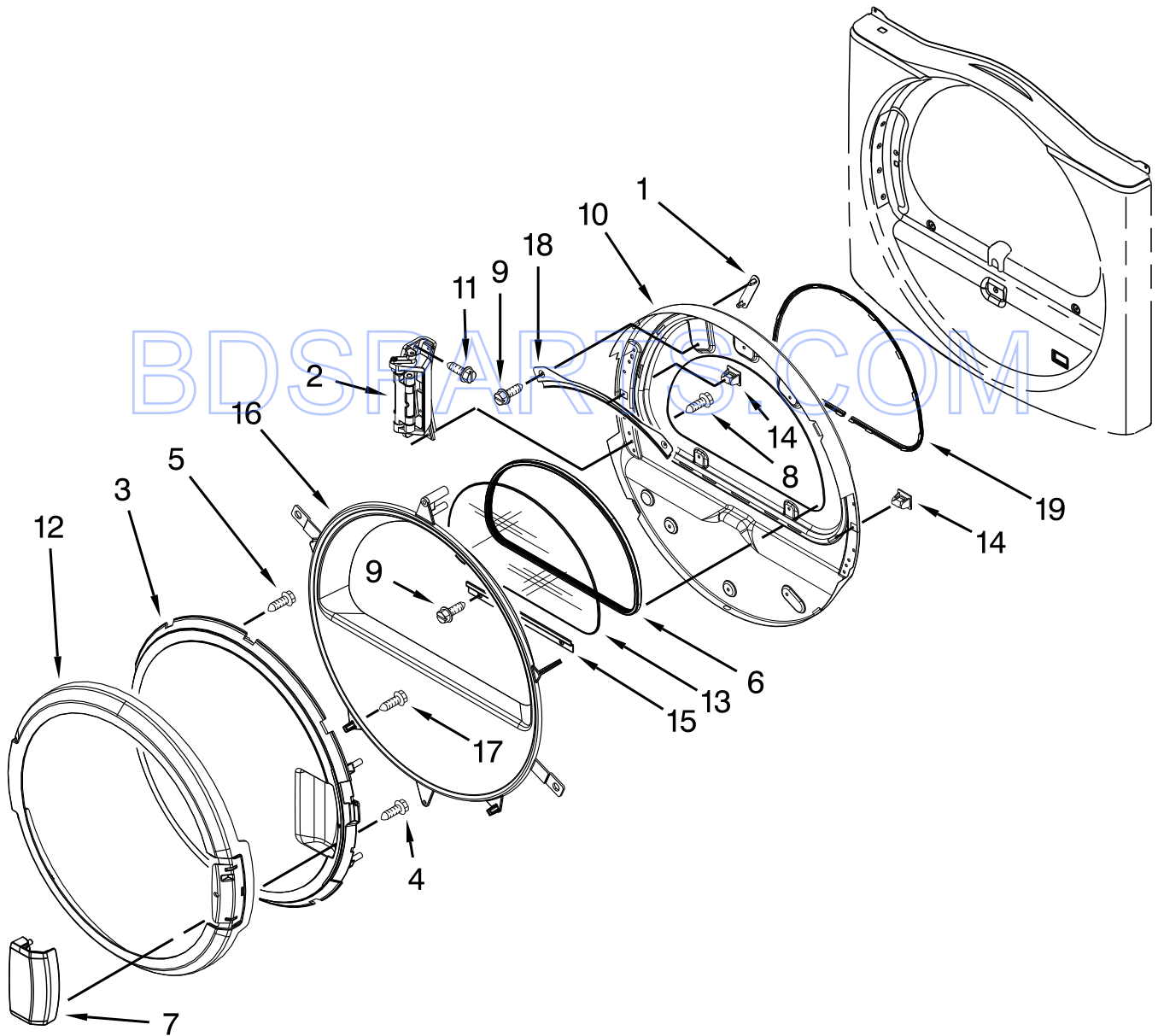


BURNER ASSEMBLY

| <u>Illus.</u> <u>No.</u> | <u>Part No.</u> | <u>Description</u> | <u>Illus.</u> <u>No.</u> | <u>Part No.</u> | <u>Description</u> | <u>Illus.</u> <u>No.</u> | <u>Part No.</u> | <u>Description</u> |
|-----------------------------|-----------------|-------------------------|-----------------------------|-----------------|-------------------------------|-----------------------------|-----------------|--|
| 1 | W10135231 | Burner Assembly (60 Hz) | 9 | | Orifice, Burner | 16 | 3393767 | Pipe, Tail |
| 2 | 688617 | Tube, Burner | | 234870 | Type 1 (Natural) | 17 | 233076 | Nut, Compression |
| 3 | 694298 | Bracket, Ignitor | | 234868 | Type 4 (Propane) | 18 | 3387561 | Clamp, Pipe |
| 4 | 686590 | Ignitor | 10 | W10141728 | Valve, Gas (60 Hz - Complete) | 19 | 3389889 | Bracket, Support |
| 5 | 3393909 | Screw | 12 | W10328463 | Coil (60 Hz) | | | Following Parts Not Illustrated |
| 6 | 343641 | Screw | 13 | W10295523 | Pipe Plug | | W10436933 | Conversion Kit (Type 1 and 2) to Type L.P.G. |
| 7 | 3389871 | Base, Burner | 14 | W10110395 | Pipe, Gas Supply | | | |
| 8 | 3387057 | Screw | 15 | 697441 | Valve, Gas | | | |

BDSPARTS.COM

DRYER DOOR PARTS

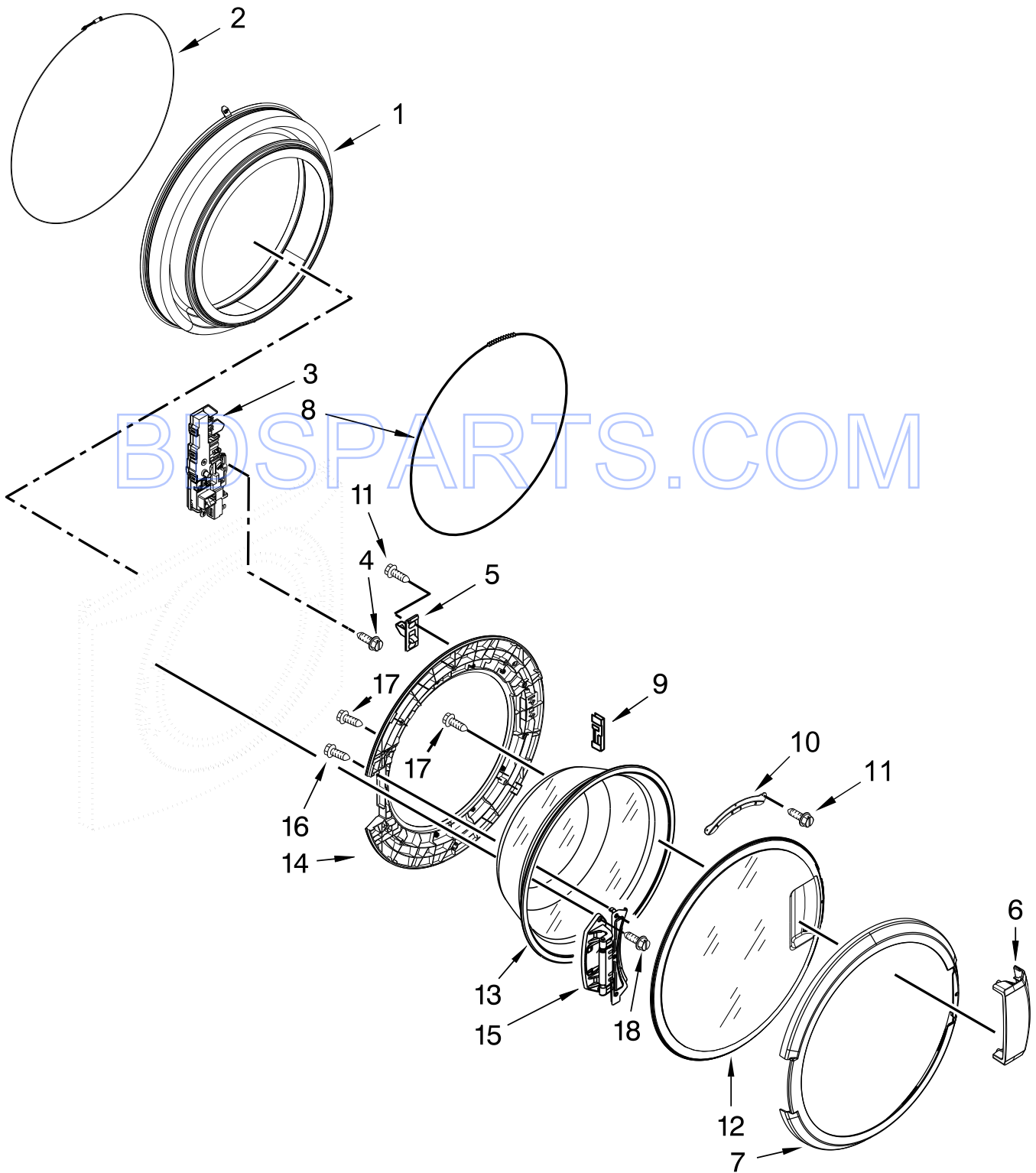


DRYER DOOR PARTS

| <u>Illus.</u> <u>No.</u> | <u>Part No.</u> | <u>Description</u> | <u>Illus.</u> <u>No.</u> | <u>Part No.</u> | <u>Description</u> | <u>Illus.</u> <u>No.</u> | <u>Part No.</u> | <u>Description</u> |
|-----------------------------|-----------------|--------------------------------|-----------------------------|-----------------|------------------------|-----------------------------|-----------------|------------------------------------|
| 1 | 8565119 | Hole Cover, Hinge | 8 | W10159996 | Screw | 16 | 8580059 | Door, Intermediate (Stationary) |
| 2 | W10198424 | Assembly, Door Hinge | 9 | 3393258 | Screw | 17 | 8534022 | Screw |
| 3 | W10137467 | Assembly, Door Intermediate | 10 | W10564648 | Assembly, Door (Inner) | 18 | 8519356 | Retainer, Window (Upper) |
| 4 | 9742177 | Screw | 11 | 355515 | Screw | 19 | W10407973 | Seal, Door |
| 5 | 3400618 | Screw | 12 | W10198431 | Outer Ring, Door | | | |
| 6 | 8579663 | Seal, Window | 13 | W10286878 | Window | | | |
| 7 | | Handle, Door | 14 | 690081 | Assembly, Door Catch | | | |
| | W10112976 | White | 15 | 8519354 | Retainer, Window | | | |

BDSPARTS.COM

WASHER DOOR PARTS

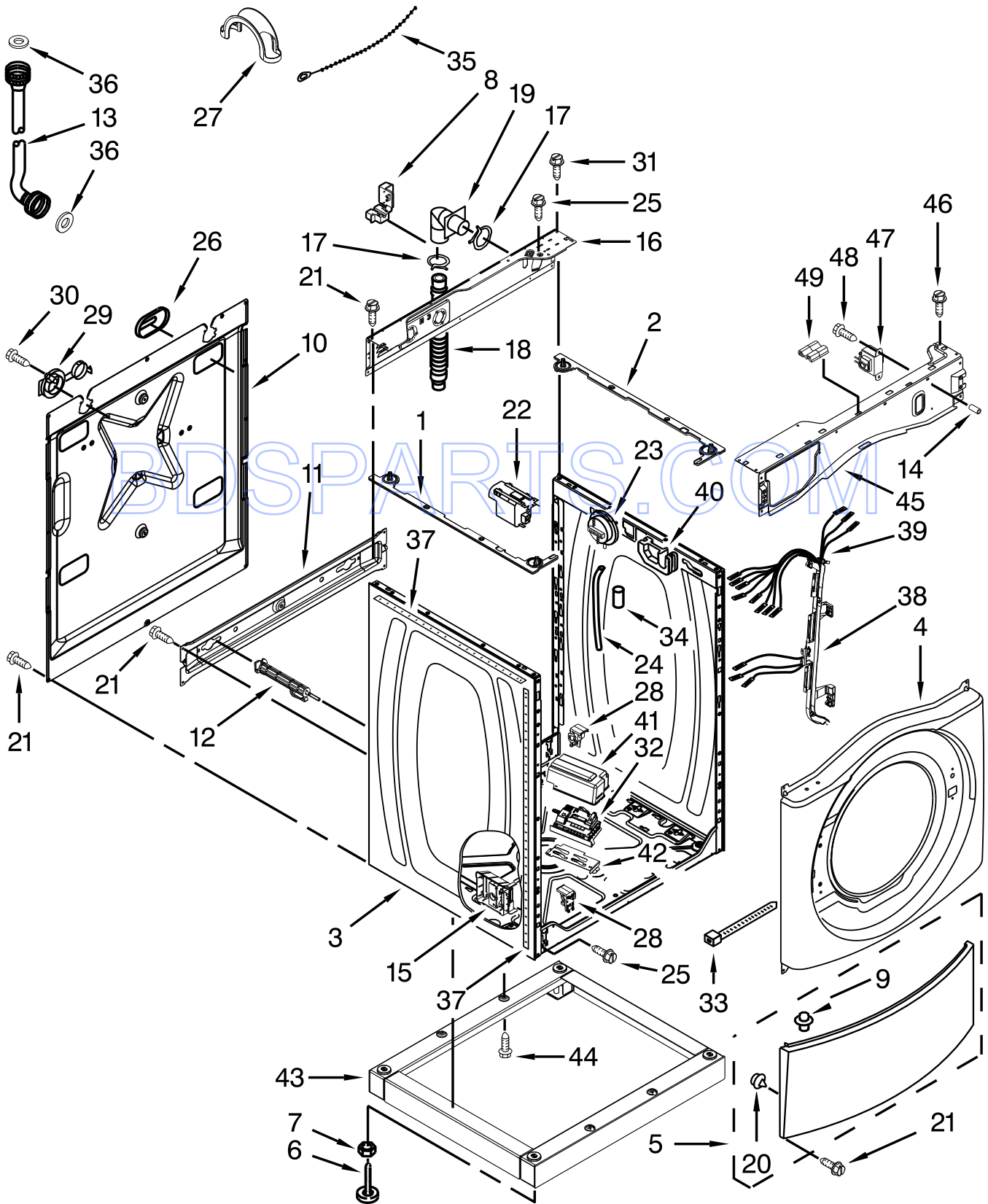


WASHER DOOR PARTS

| <u>Illus.</u> <u>No.</u> | <u>Part No.</u> | <u>Description</u> | <u>Illus.</u> <u>No.</u> | <u>Part No.</u> | <u>Description</u> | <u>Illus.</u> <u>No.</u> | <u>Part No.</u> | <u>Description</u> |
|-----------------------------|-----------------|-----------------------|-----------------------------|-----------------|------------------------------|-----------------------------|-----------------|--------------------------|
| 1 | W10311051 | Bellow | 8 | W10217563 | Clamp, Bellow To Front Panel | 14 | W10198442 | Frame, Door Back Support |
| 2 | 8540108 | Clamp, Bellow To Tub | 9 | 8540115 | Clamp, Support | 15 | W10198417 | Hinge, Door |
| 3 | W10375379 | Lock, Door | 10 | 8540114 | Clamp, Glass | 16 | 8540284 | Screw |
| 4 | 8540725 | Screw | 11 | 8540513 | Screw | 17 | 8540282 | Screw |
| 5 | 8540221 | Hook, Door | 12 | W10137404 | Frame, Door Front Assembly | 18 | W10015090 | Screw |
| 6 | W10112925 | Handle, Door | 13 | W10388315 | Glass, Door | | | |
| 7 | W10198440 | Trim Ring, Outer Door | | | | | | |

BDSPARTS.COM

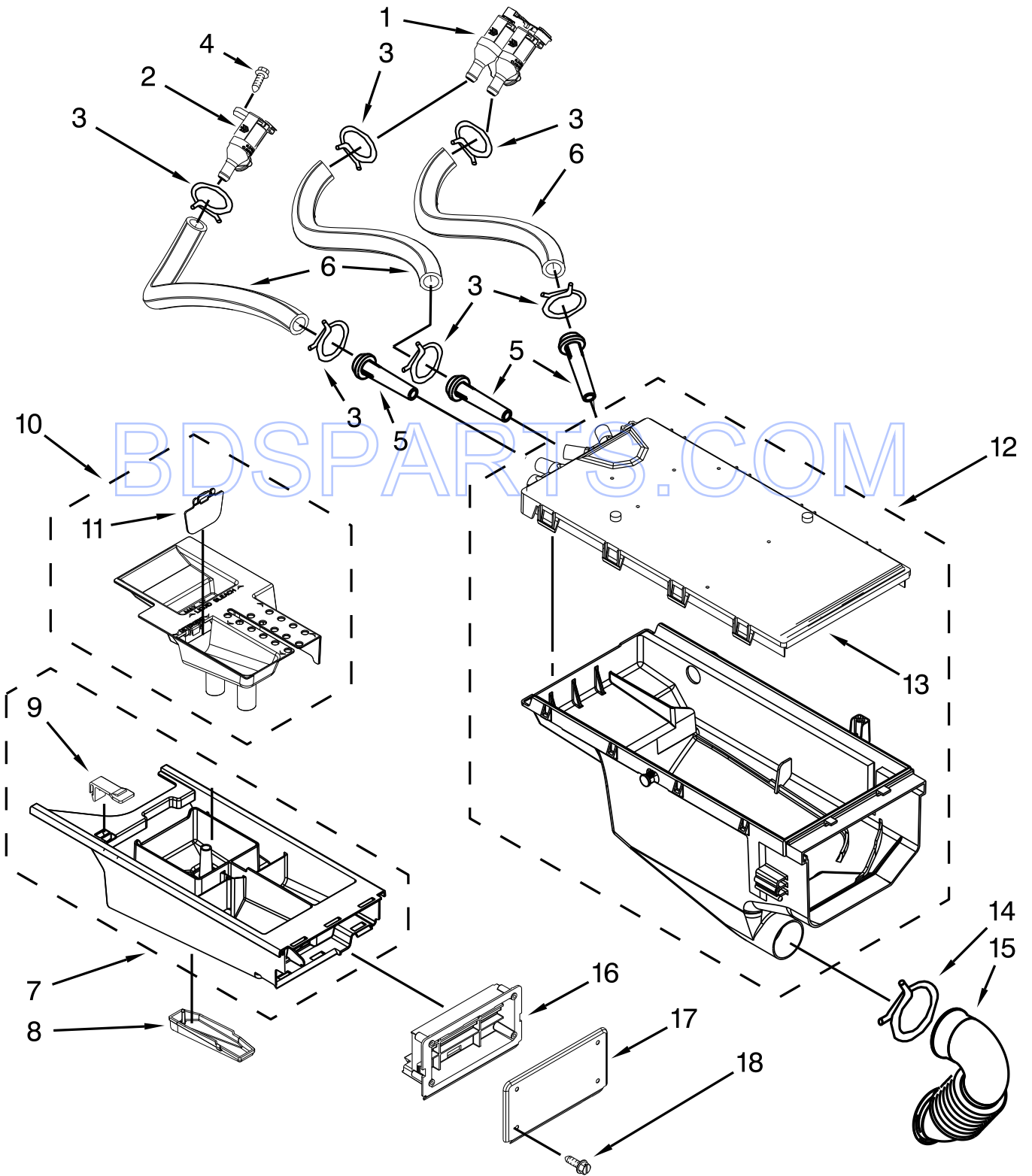
WASHER CABINET PARTS



WASHER CABINET PARTS

| <u>Illus. No.</u> | <u>Part No.</u> | <u>Description</u> | <u>Illus. No.</u> | <u>Part No.</u> | <u>Description</u> | <u>Illus. No.</u> | <u>Part No.</u> | <u>Description</u> |
|-------------------|-----------------|------------------------------|-------------------|-----------------|-----------------------------------|-------------------|-----------------|--|
| 1 | W10405229 | Rail-Spacer, Left | 18 | W10106460 | Hose, Drain Outer | 39 | W10330830 | Harness, Main Wiring |
| 2 | W10405223 | Rail-Spacer, Right | 19 | W10003260 | Connector, Hose Outlet | | | Includes Item 38 And The Following Cable Sets: (Not Illustrated) |
| 3 | | Cabinet | 20 | 238614 | Bumper | W10342200 | | CCU To Cold Fill Valve (4 Pole) |
| | W10276046 | White | 21 | W10015090 | Screw | W10342201 | | CCU To Hot Fill Valve (2 Pole) |
| 4 | | Panel, Front | 22 | W10339736 | Filter, Interference | W10342210 | | CCU To MCU - Power (2 Pole) |
| | W10306505 | White | 23 | W10292407 | Switch, Pressure | W10342214 | | Cable Set, UI to CCU Communication |
| 5 | | Panel, Toe | 24 | 8540294 | Hose, Pressure Switch | W10342208 | | Door Lock - Power |
| | 8540813 | White | 25 | 8540479 | Screw, Grounding | 40 | 8540643 | Bracket, Spring |
| 6 | W10245373 | Foot, Leveling | 26 | 8540268 | Cover, Transport | 41 | W10405233 | Cover, CCU |
| 7 | 3359452 | Nut, Hex | 27 | 8577378 | U-Bend, Drain Hose | 42 | W10198280 | Bracket, CCU |
| 8 | W10110676 | Strain Relief, Power Cord | 28 | W10085220 | Microswitch | 43 | | Pedestal |
| 9 | 8518891 | Rivet | 29 | 8540728 | Sleeve, Cord Support | | W10103350 | White |
| 10 | W10258342 | Panel, Rear | 30 | 8540727 | Screw | 44 | W10346892 | Screw |
| 11 | W10189659 | Brace, Transport | 31 | 8540329 | Screw | 45 | W10294428 | Bracket, Console |
| 12 | W10251449 | Bolt, Shipping (Set Of 4) | 32 | W10487818 | Microcomputer, Machine Control | 46 | W10015090 | Screw |
| 13 | | Hose, Water Inlet | 33 | 3429563 | Tie, Cable | 47 | W10198388 | Transformer, 120 To 22.5 VAC |
| | W10194208 | Cold Water | 34 | 2161302 | Sleeve | 48 | 8540329 | Screw |
| | 8571378 | Hot Water | 35 | 3347868 | Tie, Cable (Beaded) | 49 | W10198373 | Base, Retainer |
| 14 | W10018050 | Cap Plug | 36 | 3976300 | Washer, Inlet Hose | | | |
| 15 | W10384849 | Unit, Motor Control | 37 | 8318396 | Seal, Foam | | | |
| 16 | W10244560 | Brace, Rear | 38 | W10168546 | Harness Channel, Side Front | | | |
| 17 | 356138 | Clamp, Hose | | | | | | |

DISPENSER PARTS

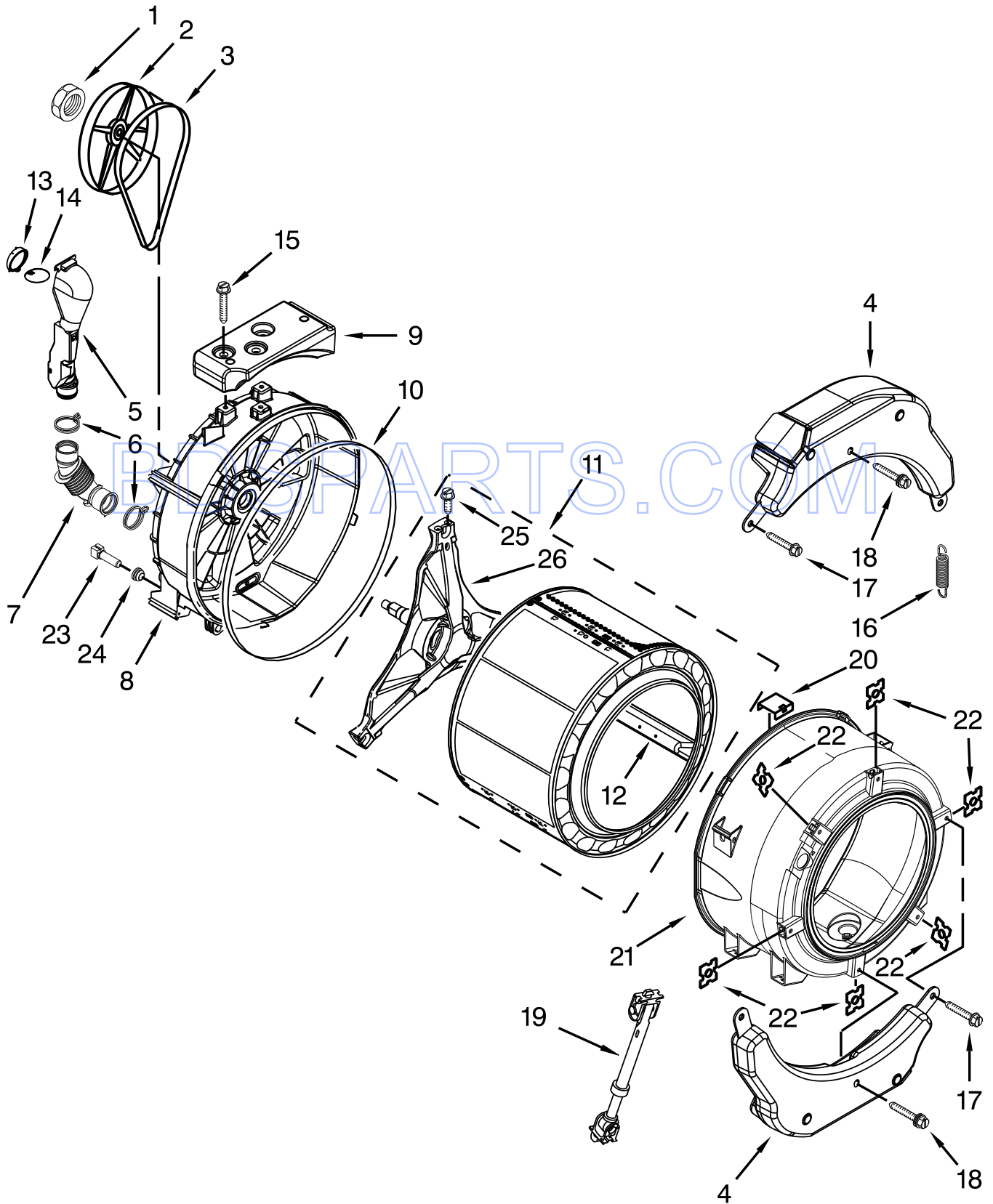


DISPENSER PARTS

| <u>Illus.</u> <u>No.</u> | <u>Part No.</u> | <u>Description</u> | <u>Illus.</u> <u>No.</u> | <u>Part No.</u> | <u>Description</u> | <u>Illus.</u> <u>No.</u> | <u>Part No.</u> | <u>Description</u> |
|-----------------------------|-----------------|-----------------------------|-----------------------------|-----------------|--------------------------|-----------------------------|-----------------|------------------------|
| 1 | W10212596 | Valve, Water Inlet (Double) | 8 | 8540399 | Cover, Detergent Drawer | 14 | 8281276 | Clamp, Hose |
| 2 | W10212598 | Valve, Water Inlet (Single) | 9 | W10198458 | Tab, Drawer Release | 15 | 8540063 | Hose, Dispenser To Tub |
| 3 | 370450 | Clamp, Hose | 10 | W10407371 | Siphon, Bleach/Softener | 16 | W10405607 | Handle, Drawer |
| 4 | W10137456 | Screw | 11 | W10298953 | Door, Living Hinge | 17 | W10198450 | Cover, Handle |
| 5 | 8183181 | Nozzle, Inlet | 12 | W10212603 | Dispenser, Outer Housing | 18 | W10137456 | Screw |
| 6 | W10212611 | Hose, Valve To Dispenser | 13 | W10212604 | Plate, Distribution | | | |
| 7 | W10376660 | Drawer, Detergent | | | | | | |

BDSPARTS.COM

TUB AND BASKET PARTS

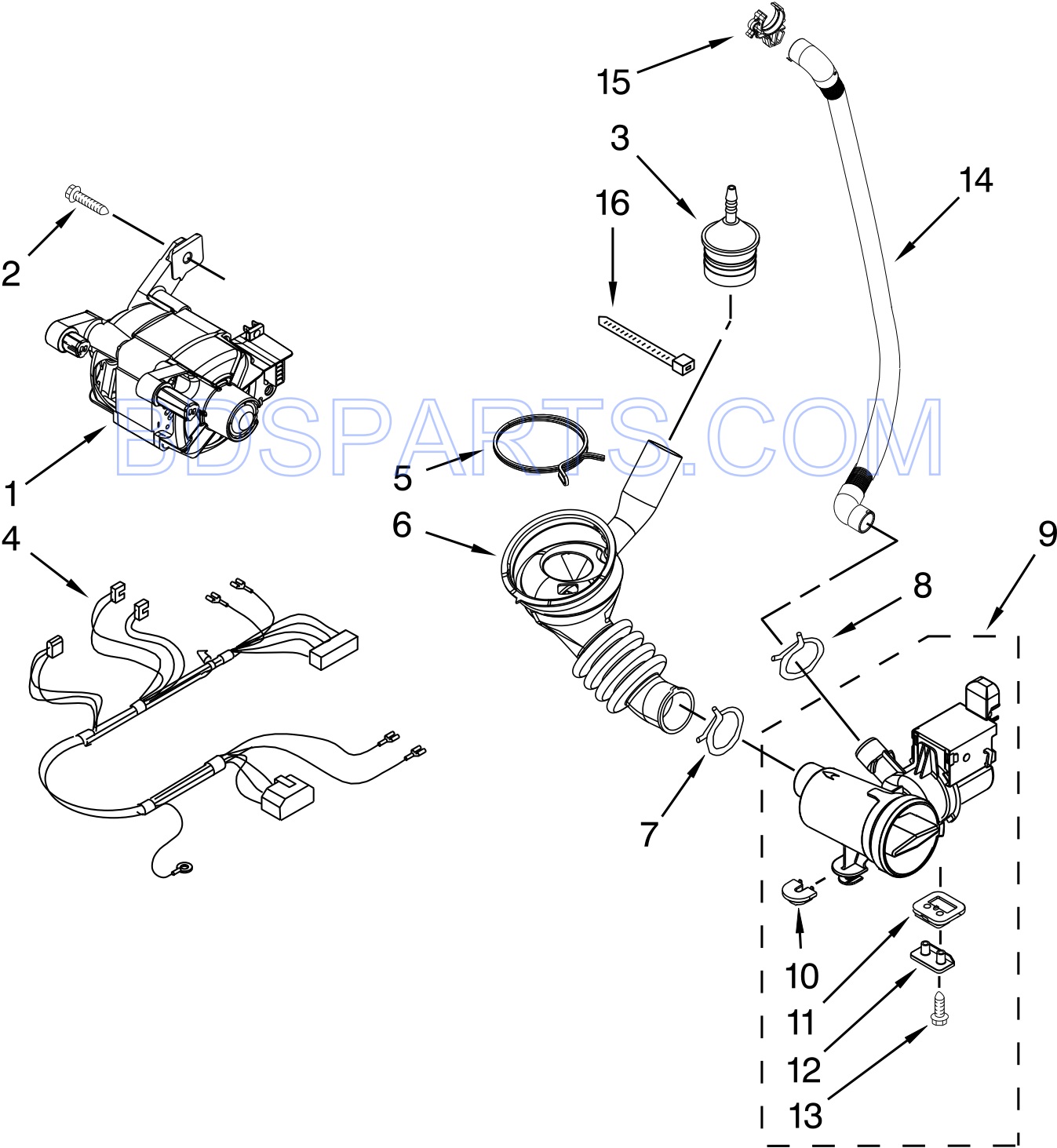


TUB AND BASKET PARTS

| <u>Illus.</u> <u>No.</u> | <u>Part No.</u> | <u>Description</u> | <u>Illus.</u> <u>No.</u> | <u>Part No.</u> | <u>Description</u> | <u>Illus.</u> <u>No.</u> | <u>Part No.</u> | <u>Description</u> |
|-----------------------------|-----------------|----------------------|-----------------------------|-----------------|------------------------------|-----------------------------|-----------------|--|
| 1 | 8533999 | Nut, Pulley | 10 | 8540090 | Gasket, Tub | 18 | W10259288 | Bolt Assembly, Counterweight Center Hole |
| 2 | 8540088C | Pulley | 11 | W10303571 | Basket, Complete | 19 | W10015830 | Absorber, Shock |
| 3 | W10260319 | Belt, Drive | 12 | W10118982 | Baffle, Tub | 20 | 8540092 | Clamp, Tub |
| 4 | W10223198 | Counterweight, Front | 13 | W10142721 | Ventilation, Connector | 21 | W10266965 | Tub, Front |
| 5 | W10142720 | Pipe, Ventilation | 14 | W10142722 | Flap, Ventilation | 22 | 8540072 | Nut, Push-In |
| 6 | 8540010 | Clamp, Vent Hose | 15 | W10246531 | Screw, Rear Counterweight | 23 | W10176659 | Control, Negative Thermistor |
| 7 | 8540019 | Hose, Exhaust | 16 | W10010360 | Spring, Suspension | 24 | 8540766 | Seal, Rubber |
| 8 | W10303574 | Tub, Rear | 17 | W10094780 | Screw | 25 | 8540382 | Screw |
| 9 | W10200747 | Counterweight, Rear | | | | 26 | 8540342 | Assembly, Crosspiece |

BDSPARTS.COM

PUMP AND MOTOR PARTS



PUMP AND MOTOR PARTS

| <u>Illus.</u> <u>No.</u> | <u>Part No.</u> | <u>Description</u> |
|-----------------------------|-----------------|--------------------|
| 1 | W10171927 | Motor, Drive |
| 2 | 8540134 | Bolt, Motor |
| 3 | W10405608 | Trap, Air |
| 4 | W10201879 | Harness, Motor |
| 5 | 8181734 | Clamp, Hose |
| 6 | 8540012 | Hose, Tub to Pump |
| 7 | 370448 | Clamp, Hose |

| <u>Illus.</u> <u>No.</u> | <u>Part No.</u> | <u>Description</u> |
|-----------------------------|-----------------|-----------------------|
| 8 | 356138 | Clamp, Hose |
| 9 | W10130913 | Pump (Complete) |
| 10 | W10034820 | Foot, Rubber (Slider) |
| 11 | W10034830 | Foot, Rubber (Lock) |
| 12 | 8540033 | Cap, Lock Foot |
| 13 | 8533964 | Screw, Ventilation |

| <u>Illus.</u> <u>No.</u> | <u>Part No.</u> | <u>Description</u> |
|-----------------------------|-----------------|----------------------|
| 14 | W10272563 | Hose, Drain Inner |
| 15 | W10003290 | Retainer, Drain Hose |
| 16 | 2262071 | Tie, Cable |

BDSPARTS.COM

OPTIONAL PARTS (NOT INCLUDED)

PAIN, TOUCH-UP (1/2OZ.)

| <u>Illus.</u> <u>No.</u> | <u>Part No.</u> | <u>Description</u> |
|-----------------------------|-----------------|--------------------|
| | 72017 | White |

PAIN, BULK (1 QT.)

| <u>Illus.</u> <u>No.</u> | <u>Part No.</u> | <u>Description</u> |
|-----------------------------|-----------------|--------------------|
| | 799344 | White |

PAIN, PRESSURIZED SPRAY (12 OZ.)

| <u>Illus.</u> <u>No.</u> | <u>Part No.</u> | <u>Description</u> |
|-----------------------------|-----------------|--------------------|
| | 350930 | White |
| | 350938 | Gray Primer |

ACCESSORY PARTS

| <u>Illus.</u> <u>No.</u> | <u>Part No.</u> | <u>Description</u> |
|-----------------------------|-----------------|-----------------------|
| | 8529894 | Kit, Hold Down |
| | 80047 | Kit, Dryer Repair |
| | 285863 | 4' Drain Hose w/Clamp |

BDSPARTS.COM