



COMMERCIAL STACKED

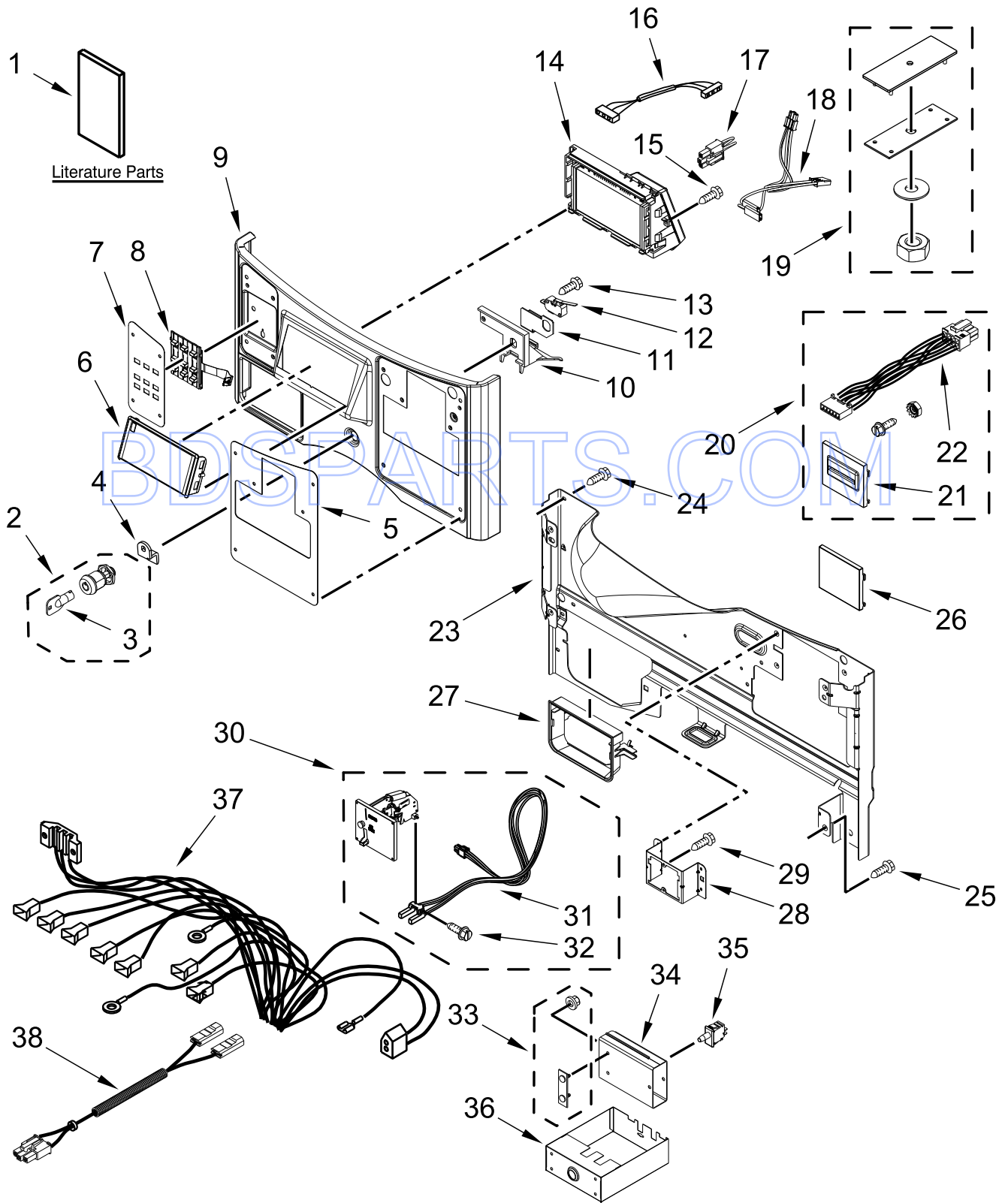
MODELS:

MLE20PDCZW0 (White)
MLE20PRCZW0 (White)
MLE20PDCZW1 (White)
MLE20PRCZW1 (White)
MLG20PDCWW0 (White)

MLG20PRCWW0 (White)
MLG20PDCWW1 (White)
MLG20PRCWW1 (White)
MLG20PDCWW2 (White)
MLG20PRCWW2 (White)

BDSPARTS.COM

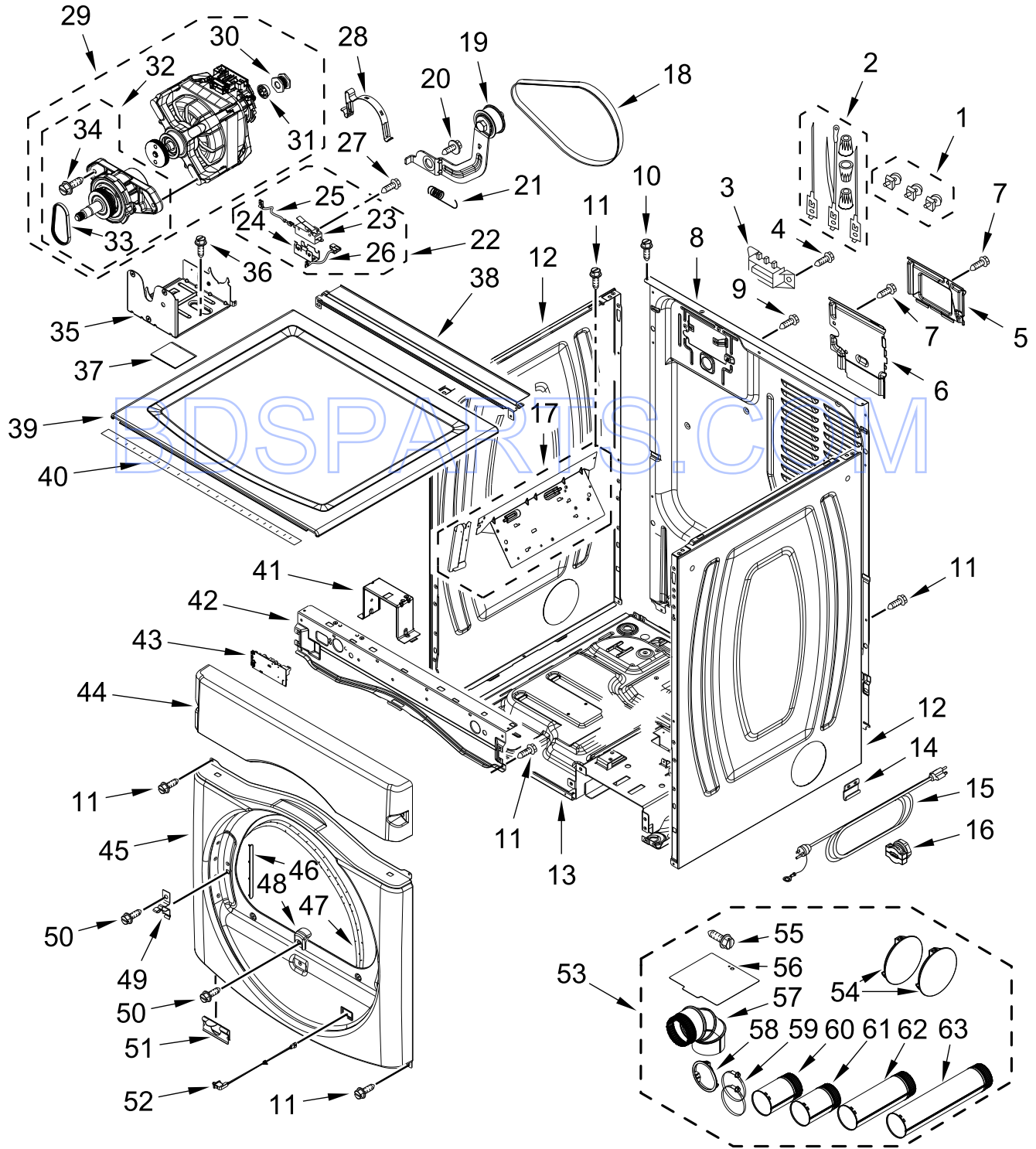
CONTROL PANEL PARTS



CONTROL PANEL PARTS

| <u>Illus. No.</u> | <u>Part No.</u> | <u>Description</u> | <u>Illus. No.</u> | <u>Part No.</u> | <u>Description</u> | <u>Illus. No.</u> | <u>Part No.</u> | <u>Description</u> |
|-------------------|-----------------|--|-------------------|-----------------|--|-------------------|-----------------|-----------------------------------|
| 1 | | Literature Parts | 14 | W10785153 | Assembly, Techbox | 28 | W10198322 | Bracket |
| | W10045641 | Instructions, Installation | | | PD - Coin Drop | | | PD - Coin Drop |
| | W10434041 | Instructions, Installation Canadian | | W10785154 | Assembly, Techbox | | W10198323 | Bracket |
| | W10335470 | Instructions, Installation Card Reader | 15 | W10192860 | Screw | 29 | 3400064 | Screw |
| | W10335471 | Sheet, Tech | 16 | W10242897 | Harness, Wire Dryer CCU to UIC | 30 | W10133242 | Assembly, Single Coin Drop |
| 2 | W10899602 | Assembly, Lock Access Door | 17 | W10133282 | Jumper, Switch Service/Vault | | W10198395 | Assembly, Dual Coin Drop |
| 3 | W10140858 | Key, Access Door | 18 | W10242896 | Wire Harness, Sensor Switch | 31 | | Coin Optic Sensor Assembly |
| 4 | W10913660 | Cam, Locking | 19 | W10169579 | Kit-Coin Box, Security (To be serviced as a kit) | | W10247389 | White |
| 5 | W10198334 | Fascia | | | | | W10247388 | Black |
| | | PD - Coin Drop | 20 | W10198451 | Card Reader, Conversion Kit | 32 | W10142655 | Screw |
| | W10198336 | Fascia | | | | 33 | W10159907 | Assembly, Mounting Strap Weld |
| | | PR - Card Reader | 21 | W10198367 | Bezel | 34 | W11109083 | Assembly, Vault Body |
| 6 | W10198390 | Display, Window | 22 | W10239515 | Harness, Card Reader | 35 | W10131838 | Switch, Vault Service Door |
| 7 | W10198284 | Buttons, Fascia | 23 | W10198369 | Bracket, Console | | | |
| 8 | W10198198 | Assembly, Button Set | 24 | 3390647 | Screw | 36 | W11109086 | Box, Coin |
| 9 | W10198207 | Panel, Console | 25 | W10386302 | Screw | 37 | W10555303 | Harness, Wiring (Electric Models) |
| 10 | W10198375 | Console, Support | 26 | W10198366 | Cover PD/PN | | W10846437 | Harness, Main (Gas Models) |
| 11 | W10160652 | Bracket-Switch | 27 | W10198345 | Collar, Dispenser | 38 | W10300896 | Wire Harness, Vault Switch |
| 12 | W10447152 | Switch, Service Access | | | | | | |
| 13 | 3400408 | Screw | | | | | | |

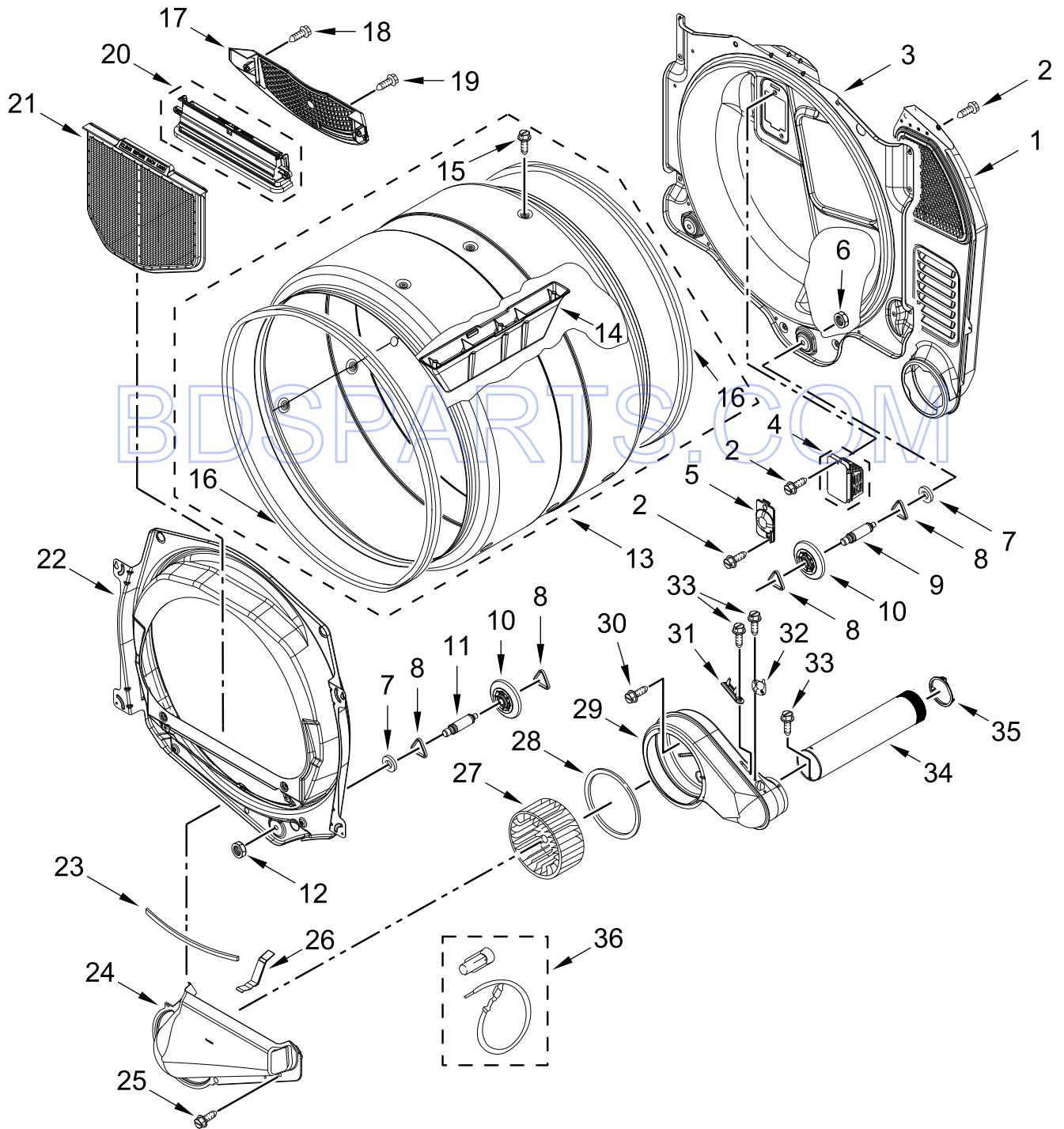
DRYER CABINET PARTS



DRYER CABINET PARTS

| <u>Illus. No.</u> | <u>Part No.</u> | <u>Description</u> | <u>Illus. No.</u> | <u>Part No.</u> | <u>Description</u> | <u>Illus. No.</u> | <u>Part No.</u> | <u>Description</u> |
|-------------------|-----------------|--|-------------------|-----------------|--|-------------------|-----------------|--|
| 1 | 279393 | Screw Kit, Terminal Block | 18 | W10131172 | Belt, Drive | 41 | W10198343 | Bracket, Support |
| 2 | 279318 | Terminal, Brass and Tinned (Includes Terminal Block Screw Kit) | 19 | W10344192 | Assembly, Idler | 42 | 8565237 | Bracket, Console |
| 3 | 3397659 | Block, Terminal | 20 | 3389420 | Screw | 43 | W10376685 | Control Board |
| 4 | 8533971 | Screw | 21 | W10446781 | Spring, Idler | 44 | W10198363 | Enclosure, CCU |
| 5 | W10286180 | Cover, Terminal Block (Electric Models) | 22 | W10155571 | Switch, Assembly | 45 | | Panel, Front |
| 6 | 8317340 | Cover, Terminal Block (Gas Models) | 23 | 8564010 | Assembly, Switch and Actuator | | W10549665 | White |
| 7 | 3390814 | Screw | 24 | 8564011 | Bracket, Switch | 46 | 8565043 | Plug, Front Panel |
| 8 | W10865341 | Panel, Rear | 25 | W10167613 | Wire, Belt Switch | 47 | 3387242 | Seal, Front Panel |
| 9 | W10773242 | Screw | 26 | 8539892 | Wire, Motor To Belt Switch | 48 | 8580015 | Ramp, Door |
| 10 | 3393008 | Screw | 27 | 98129 | Screw | 49 | 8565122 | Strike, Door |
| 11 | 3390647 | Screw | 28 | 660658 | Clamp, Motor | 50 | 3357011 | Screw |
| 12 | W10542714 | Panel, Side White | 29 | W10918085 | Assembly, Motor 60 HZ. | 51 | 8519459 | Clip, Toe Panel |
| 13 | W11116960 | Base, Cabinet PD - Coin Drop | 30 | 3394341 | Pulley, Motor | 52 | W10350910 | Assembly, Door Switch |
| | 8565046 | Base, Cabinet PR - Card Reader | 31 | 3393657 | Restrainer, Belt | 53 | | Optional Parts Not Included Dryer Exhaust Kit (For Side & Bottom Venting) |
| 14 | W10198461 | Bracket, Stack | 32 | W11232513 | Dryer Motor Speed Incraser Bipod 120V (Complete) | | W10470674 | Kit, 4-Way Venting |
| 15 | W10712174 | Cord, Power (Electric Models) | 33 | 3405160 | Belt, Drive (Blower Wheel) | 54 | | Plug, Multivent |
| | W10869140 | Cord, Power (Gas Models) | 34 | 22001995 | Screw | | W10404617 | Midnight Grey |
| 16 | 8316644 | Relief, Strain (Power Cord) | 35 | W10135695 | Bracket, Motor | 55 | 488729 | Screw |
| 17 | 8563727 | Bracket, Control | 36 | 343641 | Screw | 56 | W10354249 | Plate, Cover |
| | | | 37 | W10836094 | Pad, Sound | 57 | W10416072 | Elbow |
| | | | 38 | W10198224 | Bracket, Water Channel | 58 | W10344699 | Collar, Duct |
| | | | 39 | | Lid & Bumper Assembly | 59 | 696392 | Hose Clamp |
| | | | | W10336080 | White | 60 | W10331278 | Pipe, Exhaust (Short) |
| | | | 40 | 8318396 | Seal, Foam | 61 | 8563748 | Pipe, Exhaust |
| | | | | | | 62 | 8563747 | Pipe, Exhaust (Medium) |
| | | | | | | 63 | 8563749 | Pipe, Exhaust (Long) |

BULKHEAD AND BLOWER PARTS

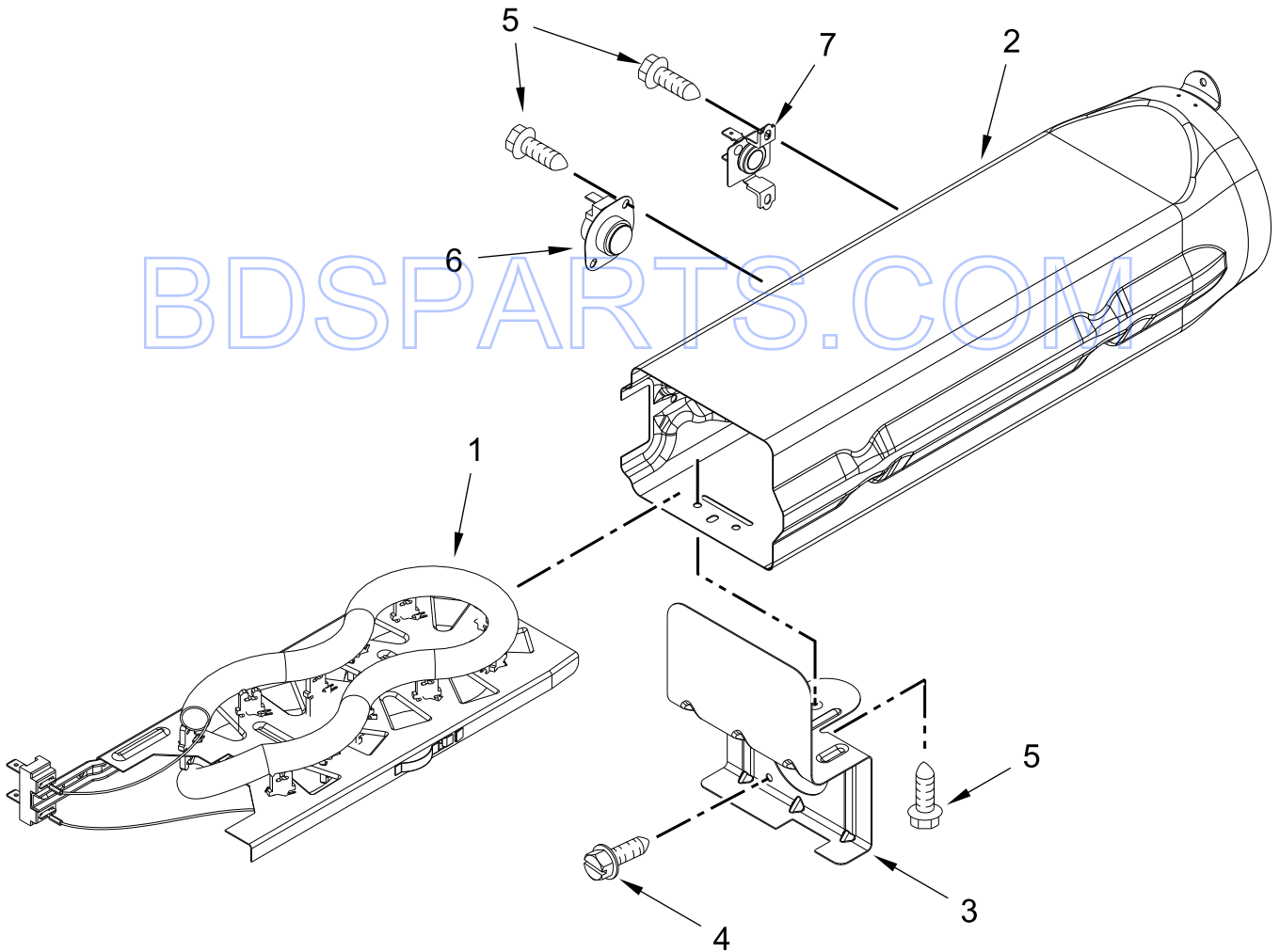


BULKHEAD AND BLOWER PARTS

| <u>Illus. No.</u> | <u>Part No.</u> | <u>Description</u> | <u>Illus. No.</u> | <u>Part No.</u> | <u>Description</u> | <u>Illus. No.</u> | <u>Part No.</u> | <u>Description</u> |
|-------------------|-----------------|--|-------------------|-----------------|---|-------------------|-----------------|--|
| 1 | 697354 | Assembly, Air Duct (Electric Models) | 10 | W10314171 | Roller, Support | 23 | 697814 | Seal, Drum Front |
| | W10865336 | Assembly, Air Duct (Gas Models) | 11 | W10359271 | Shaft, Drum Roller - Right Hand Thread | 24 | 8066168 | Assembly, Lint Duct |
| 2 | 3390647 | Screw | 12 | 3934666 | Nut, Hex | 25 | 359625 | Screw |
| 3 | W10080170 | Bulkhead, Rear | 13 | W10865330 | Assembly, Drum (Complete) | 26 | W10345456 | Clip, Spring |
| 4 | W10465334 | Bracket, Drum Light | 14 | W10153409 | Baffle, Drum | 27 | 697772 | Wheel, Blower |
| 5 | 3402841 | Lens, Drum Light | 15 | W10219342 | Screw | 28 | 697770 | Seal, Plate Cover |
| 6 | W10001120 | Nut, Hex (Left Hand Thread) | 16 | W10521118 | Seal, Drum | 29 | 8544362 | Housing, Blower |
| 7 | 3387459 | Washer | 17 | W10181926 | Grille, Outlet | 30 | 489463 | Screw |
| 8 | W10512946 | Washer, Tri Ring | 18 | 3387230 | Screw | 31 | 3392519 | Fuse, Thermal (91C) |
| 9 | W10359272 | Shaft, Drum Roller - Left Hand Thread | 19 | 695240 | Screw | 32 | 8577274 | Thermistor |
| | | | 20 | W10181928 | Assembly, Outlet Housing | 33 | 8533971 | Screw |
| | | | 21 | W10049370 | Screen, Lint | 34 | 8563728 | Pipe, Exhaust |
| | | | 22 | 8565061 | Bulkhead, Front | 35 | W10344699 | Collar, Duct |
| | | | | | | 36 | 279457 | Terminal Wire Kit (For Heater Element Wiring Harness Repair) |

BDSPARTS.COM

DRYER HEATING PARTS-ELECTRIC

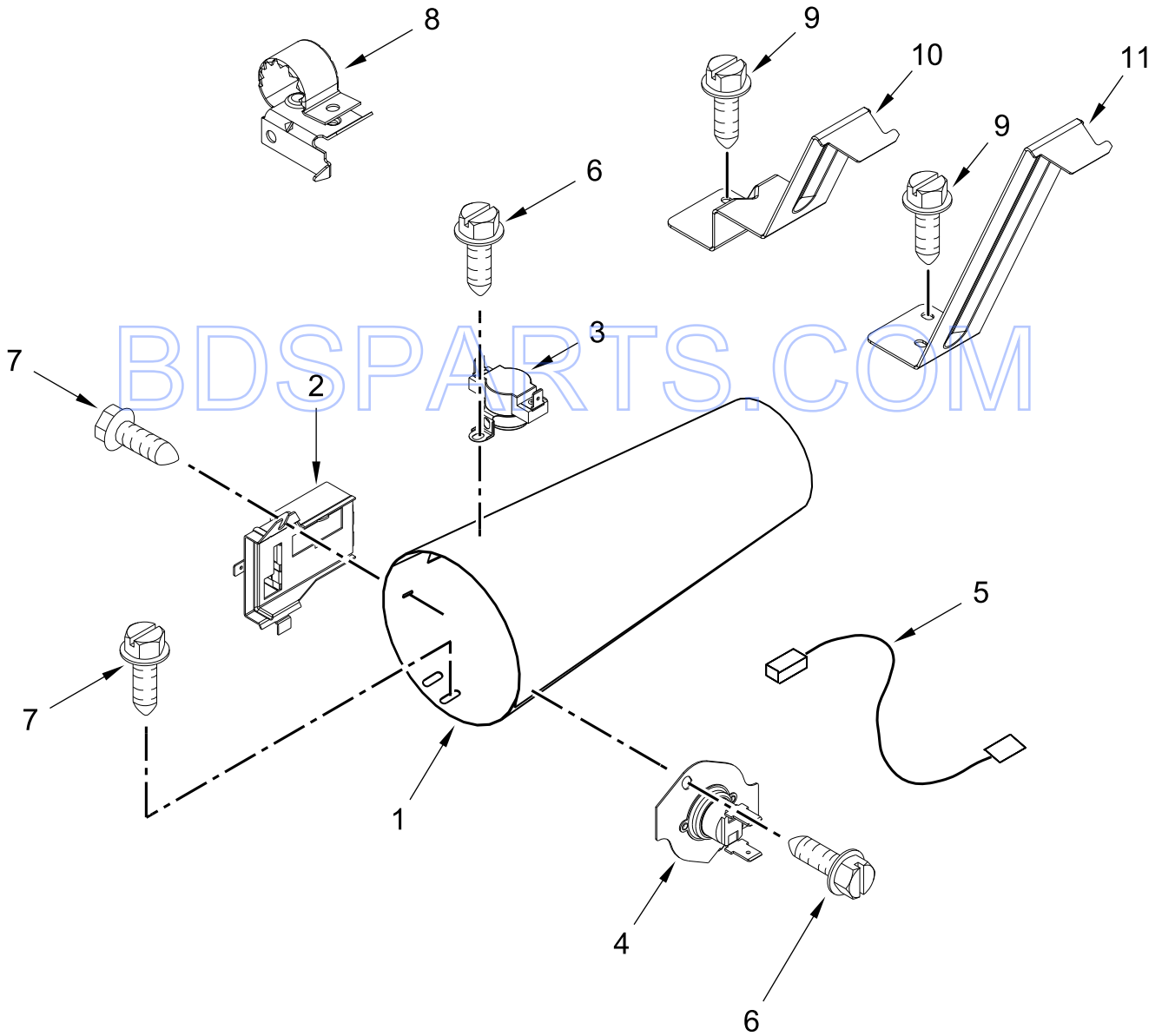


DRYER HEATING PARTS-ELECTRIC

| <u>Illus. No.</u> | <u>Part No.</u> | <u>Description</u> | <u>Illus. No.</u> | <u>Part No.</u> | <u>Description</u> | <u>Illus. No.</u> | <u>Part No.</u> | <u>Description</u> |
|-------------------|-----------------|---------------------------|-------------------|-----------------|---------------------|-------------------|-----------------|---|
| 1 | W10157669 | Element, Heater | 3 | 8066099 | Bracket, Heater Box | 5 | 90767 | Screw |
| 2 | W10608837 | Assembly, Weld Heater Box | | | PR - Card Reader | 6 | 3391914 | Thermostat HL-295/215 |
| | | | | W10198340 | Bracket, Heater Box | 7 | 279973 | Kit, Thermal Cut-Off (Includes Thermostat |
| | | | 4 | 693995 | PD - Coin Drop | | | |
| | | | | | Screw | | | |

BDSPARTS.COM

DRYER HEATING PARTS - GAS



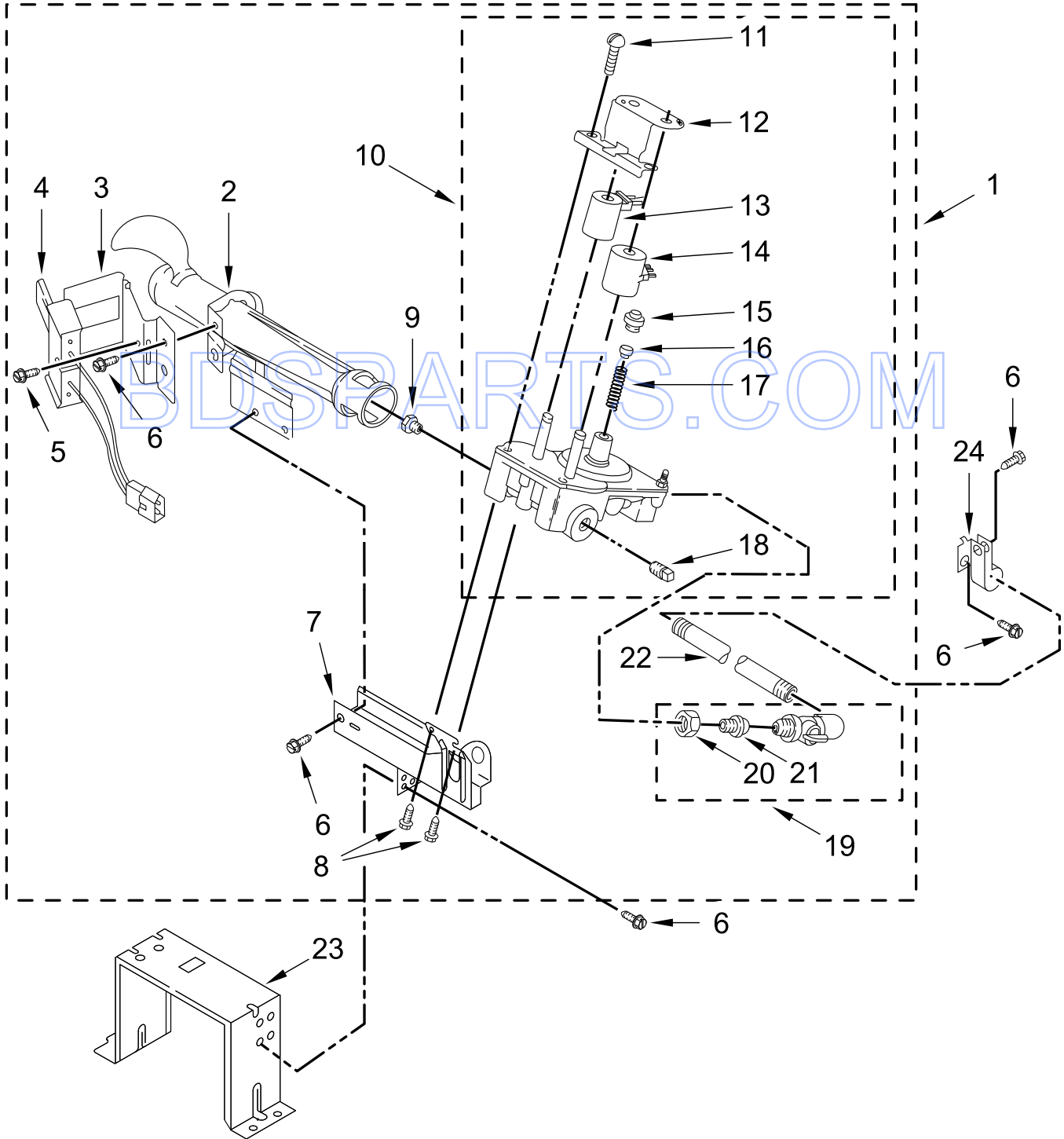
DRYER HEATING PARTS - GAS

| <u>Illus.</u> <u>No.</u> | <u>Part No.</u> | <u>Description</u> | <u>Illus.</u> <u>No.</u> | <u>Part No.</u> | <u>Description</u> | <u>Illus.</u> <u>No.</u> | <u>Part No.</u> | <u>Description</u> |
|-----------------------------|-----------------|----------------------|-----------------------------|-----------------|--------------------|-----------------------------|-----------------|-------------------------------------|
| 1 | 8573824 | Funnel, Burner | 6 | 90767 | Screw | 10 | W10198376 | Bracket, Burner PD - Coin Drop |
| 2 | 338906 | Sensor, Radiant | 7 | 3390647 | Screw | 11 | 8529757 | Bracket, Burner PR - Card Reader |
| 3 | 3391912 | Thermostat, Hi Limit | 8 | 3978776 | Bracket, Gas Pipe | | | |
| 4 | 8573713 | Cut-Off, Thermal | 9 | 693995 | Screw | | | |
| 5 | 3401707 | Jumper, Wire | | | | | | |

BDSPARTS.COM

BURNER ASSEMBLY PARTS

USE WITH TYPE 1 - NATURAL, TYPE 2 - MIXED,
AND TYPE 4 - LIQUEFIED PROPANE AND BUTANE GASSES

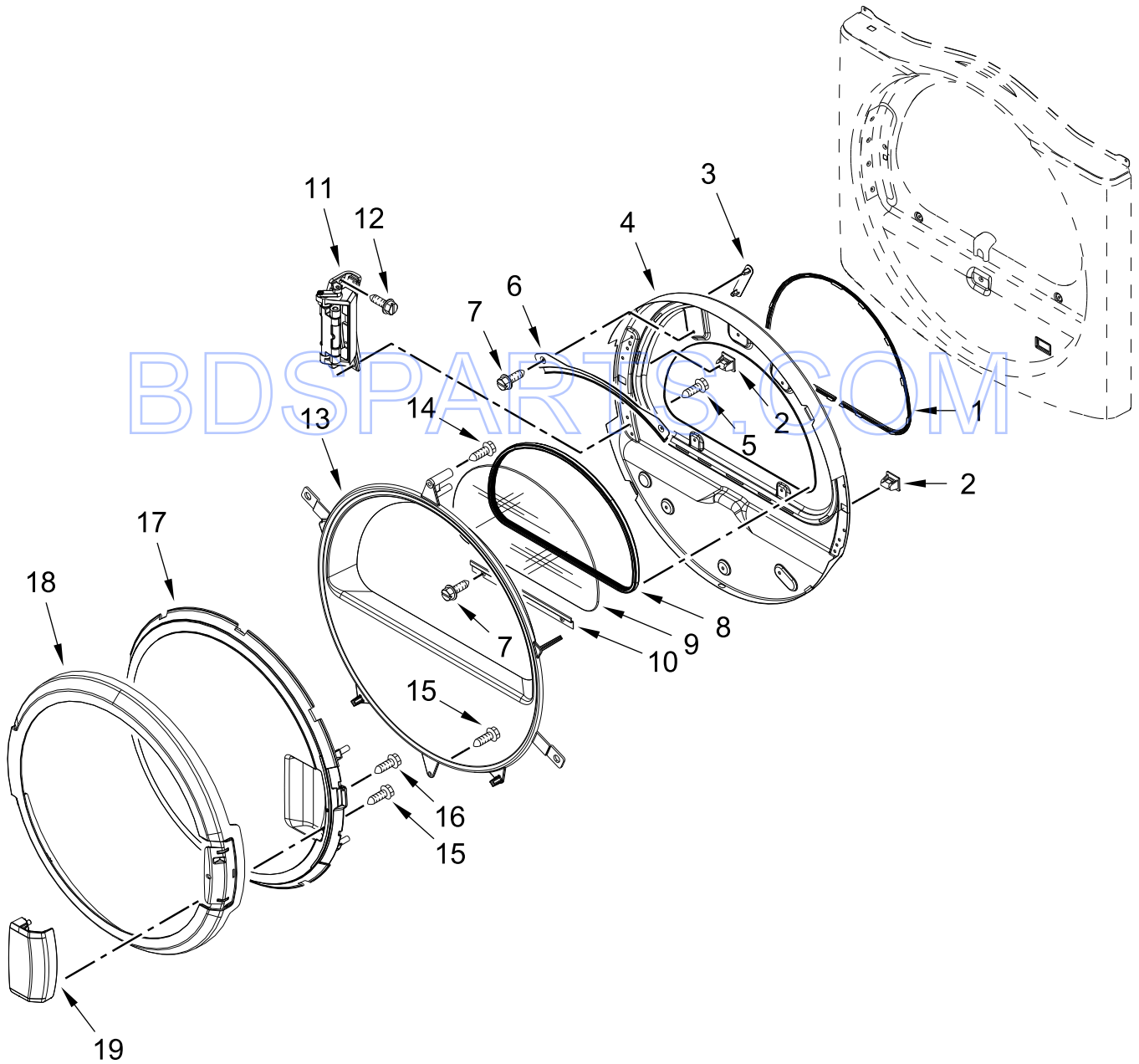


BURNER ASSEMBLY PARTS

| <u>Illus. No.</u> | <u>Part No.</u> | <u>Description</u> | <u>Illus. No.</u> | <u>Part No.</u> | <u>Description</u> | <u>Illus. No.</u> | <u>Part No.</u> | <u>Description</u> |
|-------------------|-----------------|-------------------------------|-------------------|-----------------|---|-------------------|-----------------|--|
| 1 | W10135231 | Burner Assembly (60 Hz) | 12 | 694538 | Bracket, Coil | 23 | 3389889 | Bracket, Support |
| 2 | 688617 | Tube, Burner | 13 | 694540 | Coil, 60 Hz. (2 Terminal) (Main) | 24 | 3387561 | Clamp, Pipe |
| 3 | 694298 | Bracket, Ignitor | 14 | 694539 | Coil, 60 Hz (Split) (3 Terminal) (Pilot Position) | | | Following Parts Not Illustrated |
| 4 | 686590 | Ignitor | | | | W10135245 | | Conversion Kit (Type 1 and 2) to Type L.P.G. |
| 5 | 3393909 | Screw | 15 | 694424 | Leak, Limiter | W10233219 | | LP Conversion Kit (EU Type 4) |
| 6 | 343641 | Screw | 16 | 694423 | Screw, Regulator Adjustment | W10832960 | | LP Conversion Kit (FR/BE Nat Gas) |
| 7 | 3389871 | Base, Burner | 17 | 694422 | Spring, Regulator | W10832961 | | LP Conversion Kit (AUS Type 4) |
| 8 | 3387057 | Screw | 18 | 239822 | Plug, Pipe | | | |
| 9 | | Orifice, Burner | 19 | 697441 | Valve, Gas | | | |
| | 234870 | Type 1 (Natural) | 20 | 233076 | Nut, Compression | | | |
| | 234868 | Type 4 (Propane) | 21 | 3393767 | Pipe, Tail | | | |
| 10 | W10141728 | Valve, Gas (60 Hz - Complete) | 22 | W10110395 | Pipe, Gas Supply | | | |
| 11 | 694421 | Screw, Coil | | | | | | |

BDSPARTS.COM

DRYER DOOR PARTS

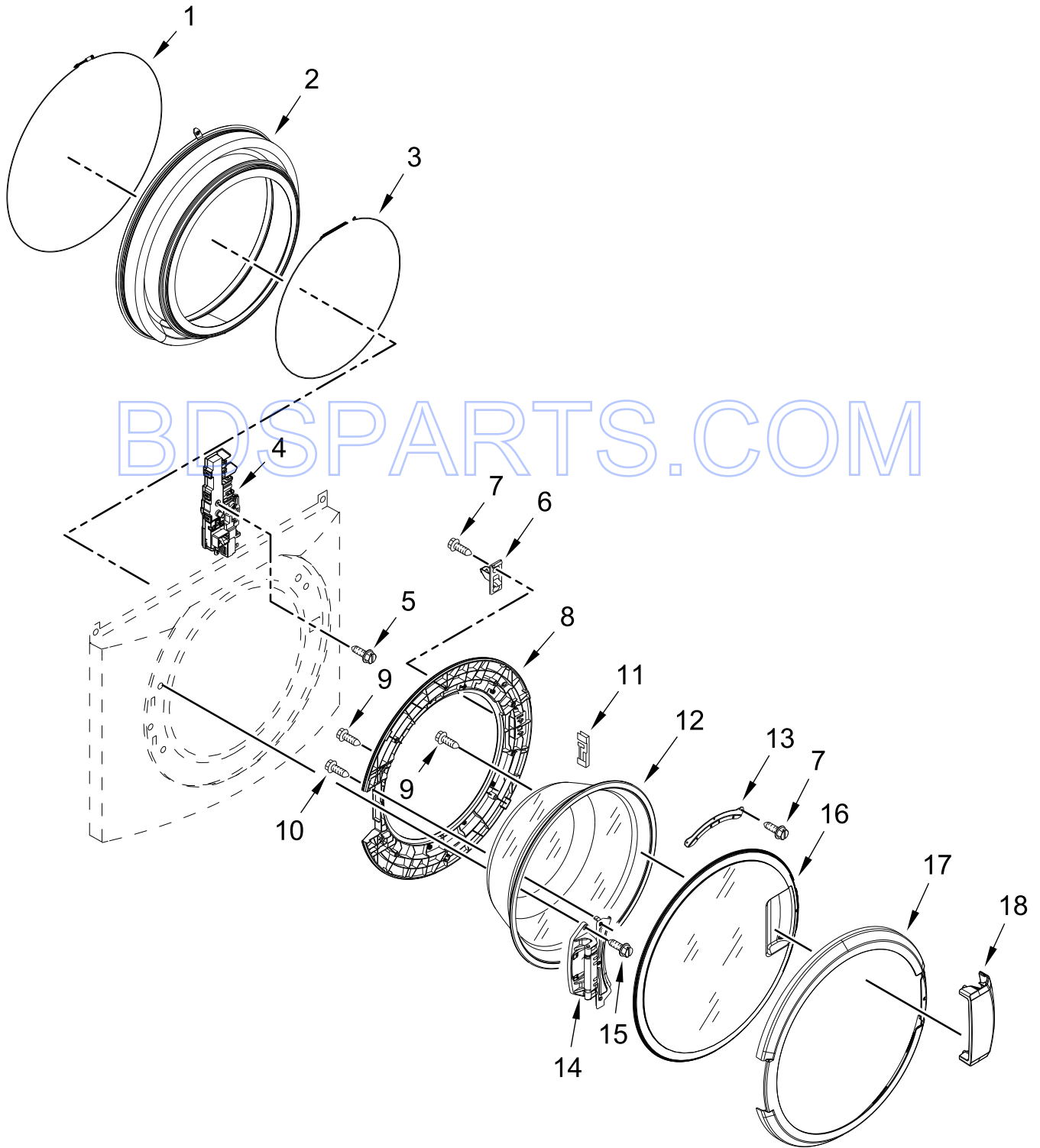


DRYER DOOR PARTS

| <u>Illus. No.</u> | <u>Part No.</u> | <u>Description</u> | <u>Illus. No.</u> | <u>Part No.</u> | <u>Description</u> | <u>Illus. No.</u> | <u>Part No.</u> | <u>Description</u> |
|-------------------|-----------------|--------------------------|-------------------|-----------------|---------------------------------|-------------------|-----------------|-----------------------------|
| 1 | W10407973 | Seal, Door | 7 | 3393258 | Screw | 14 | 8534044 | Screw |
| 2 | 3392538 | Assembly, Door Catch | 8 | 8579663 | Seal, Window | 15 | 9742177 | Screw |
| 3 | 8565119 | Hole Cover, Hinge | 9 | W10286878 | Window | 16 | 3400618 | Screw |
| 4 | W10363674 | Door, Inner | 10 | 8519354 | Retainer, Window | 17 | W10137467 | Assembly, Door Intermediate |
| 5 | W10159996 | Screw | 11 | W10198424 | Assembly, Door Hinge | 18 | W10198431 | Outer Ring, Door |
| 6 | 8519356 | Retainer, Window (Upper) | 12 | 355515 | Screw | 19 | | Handle, Door |
| | | | 13 | 8580059 | Door, Intermediate (Stationary) | | W10112976 | White |

BDSPARTS.COM

WASHER DOOR PARTS



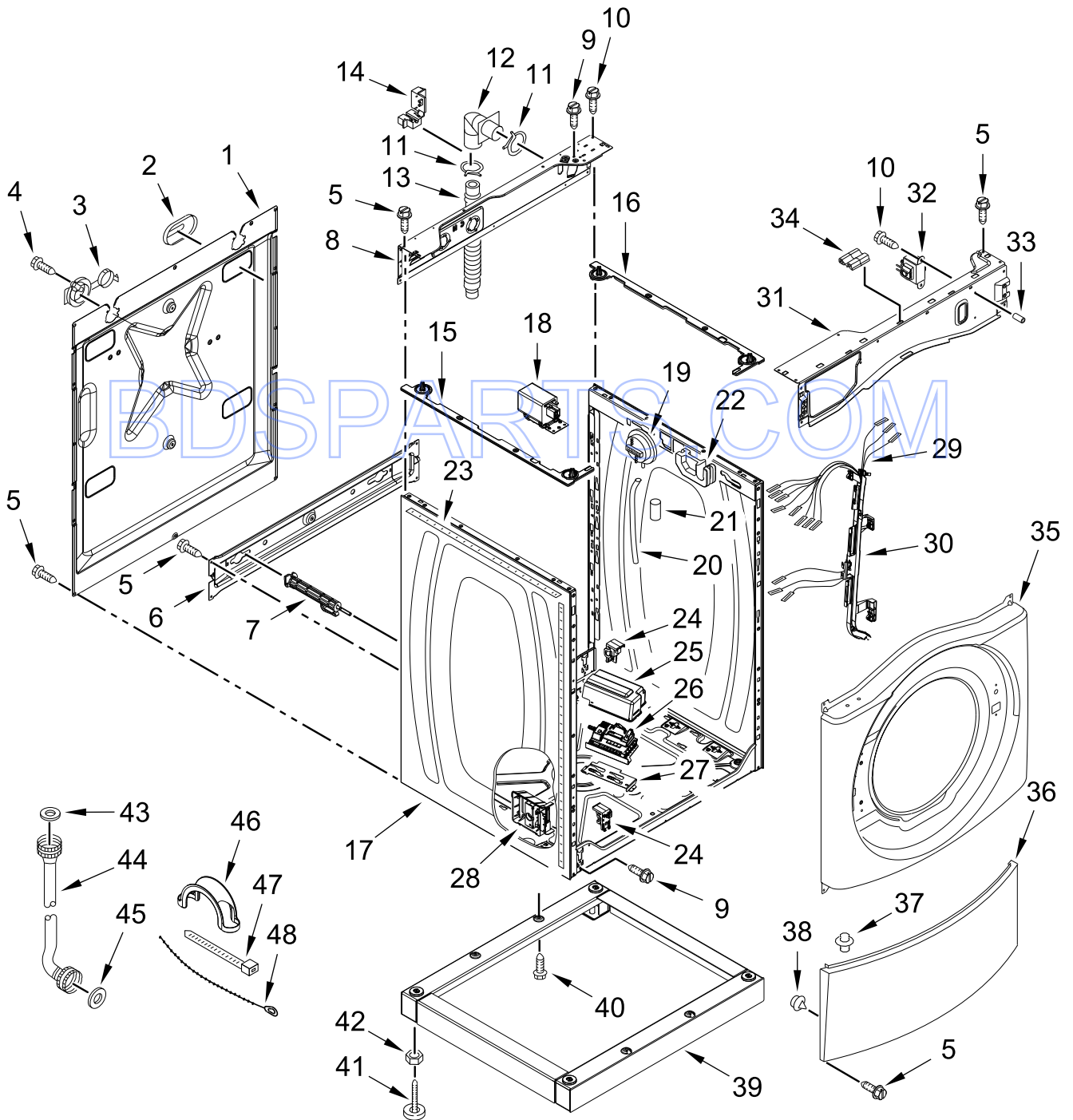
BDSPARTS.COM

WASHER DOOR PARTS

| <u>Illus.</u> <u>No.</u> | <u>Part No.</u> | <u>Description</u> | <u>Illus.</u> <u>No.</u> | <u>Part No.</u> | <u>Description</u> | <u>Illus.</u> <u>No.</u> | <u>Part No.</u> | <u>Description</u> |
|-----------------------------|-----------------|------------------------------|-----------------------------|-----------------|--------------------------|-----------------------------|-----------------|----------------------------|
| 1 | 8540108 | Clamp, Bellow To Tub | 8 | W10198442 | Frame, Door Back Support | 15 | W10015090 | Screw |
| 2 | W10311051 | Bellow | 9 | 8540282 | Screw | 16 | W10137404 | Frame, Door Front Assembly |
| 3 | W10894122 | Clamp, Bellow To Front Panel | 10 | 8540284 | Screw | 17 | W10198440 | Trim Ring, Outer Door |
| 4 | W10375379 | Lock, Door | 11 | 8540115 | Clamp, Support | 18 | W10112925 | Handle, Door |
| 5 | 8540725 | Screw | 12 | W10388315 | Glass, Door | | | |
| 6 | 8540221 | Hook, Door | 13 | 8540114 | Clamp, Glass | | | |
| 7 | 8540513 | Screw | 14 | W10198417 | Hinge, Door | | | |

BDSPARTS.COM

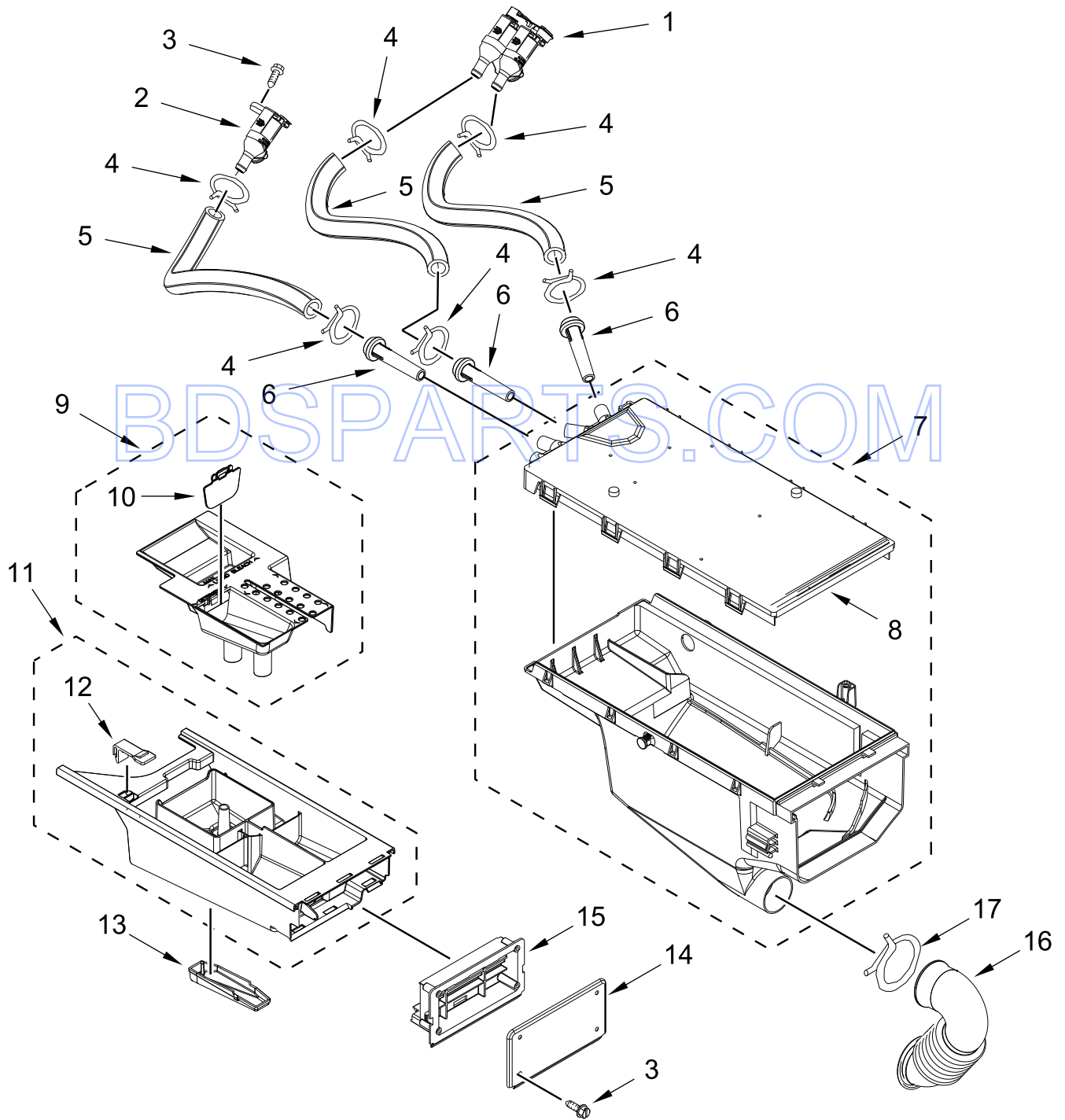
WASHER CABINET PARTS



WASHER CABINET PARTS

| <u>Illus. No.</u> | <u>Part No.</u> | <u>Description</u> | <u>Illus. No.</u> | <u>Part No.</u> | <u>Description</u> | <u>Illus. No.</u> | <u>Part No.</u> | <u>Description</u> |
|-------------------|-----------------|---------------------------|-------------------|-----------------|--|-------------------|-----------------|------------------------------|
| 1 | W10258342 | Panel, Rear | 22 | 8540643 | Bracket, Spring | 32 | W10198388 | Transformer, 120 To 22.5 VAC |
| 2 | 8540268 | Cover, Transport | 23 | 8318396 | Seal, Foam | 33 | W10018050 | Cap Plug |
| 3 | 8540728 | Sleeve, Cord Support | 24 | W10085220 | Microswitch | 34 | W10198373 | Base, Retainer |
| 4 | 8540727 | Screw | 25 | W10405233 | Cover, CCU | 35 | | Panel, Front |
| 5 | W10015090 | Screw | 26 | W11111817 | Microcomputer, Machine Control | | W10306505 | White |
| 6 | W10189659 | Brace, Transport | 27 | W10198280 | Bracket, CCU | 36 | | Panel, Toe |
| 7 | W10251449 | Bolt, Shipping (Set Of 4) | 28 | W10384849 | Unit, Motor Control | | 8540664 | White |
| 8 | W10244560 | Brace, Rear | 29 | W10330830 | Harness, Main Wiring | 37 | 8518891 | Rivet |
| 9 | 8540479 | Screw, Grounding | | | Includes Harness Channel And The Following Cable Sets: | 38 | 238614 | Bumper |
| 10 | 8540329 | Screw | | | | 39 | | Pedestal, Commercial |
| 11 | 356138 | Clamp, Hose | | | | | W10103350 | White |
| 12 | W10003260 | Connector, Hose Outlet | | W10342200 | CCU To Cold Fill Valve (4 Pole) | 40 | W10346892 | Screw |
| 13 | W10106460 | Hose, Drain Outer | | W10342201 | CCU To Hot Fill Valve (2 Pole) | 41 | W10245373 | Foot, Leveling |
| 14 | W10110676 | Strain Relief, Power Cord | | W10342210 | CCU To MCU - Power (2 Pole) | 42 | 3359452 | Nut, Hex |
| 15 | W10405229 | Rail-Spacer, Left | | W10342214 | Cable Set, UI to CCU Communication | 43 | 3976300 | Washer, Inlet Hose |
| 16 | W10405223 | Rail-Spacer, Right | | | | 44 | | Hose, Water Inlet |
| 17 | | Cabinet | | W10342208 | Cable Set, Door Lock to Power | | W10852720 | Cold Water |
| | W10198145 | White | | | | | W10852721 | Hot Water |
| 18 | W10306592 | Filter, RFI | | W10342216 | CCU To UI (3 Pole) | 45 | W10242307 | Washer, Hose |
| 19 | W10292407 | Switch, Pressure | 30 | W10168546 | Harness Channel, Side Front | 46 | 8577378 | U-Bend, Drain Hose |
| 20 | 8540294 | Hose, Pressure Switch | | | | 47 | 3429563 | Tie, Cable |
| 21 | 2161302 | Sleeve | 31 | W10846488 | Bracket, Console | 48 | 3347868 | Tie, Cable (Beaded) |

DISPENSER PARTS

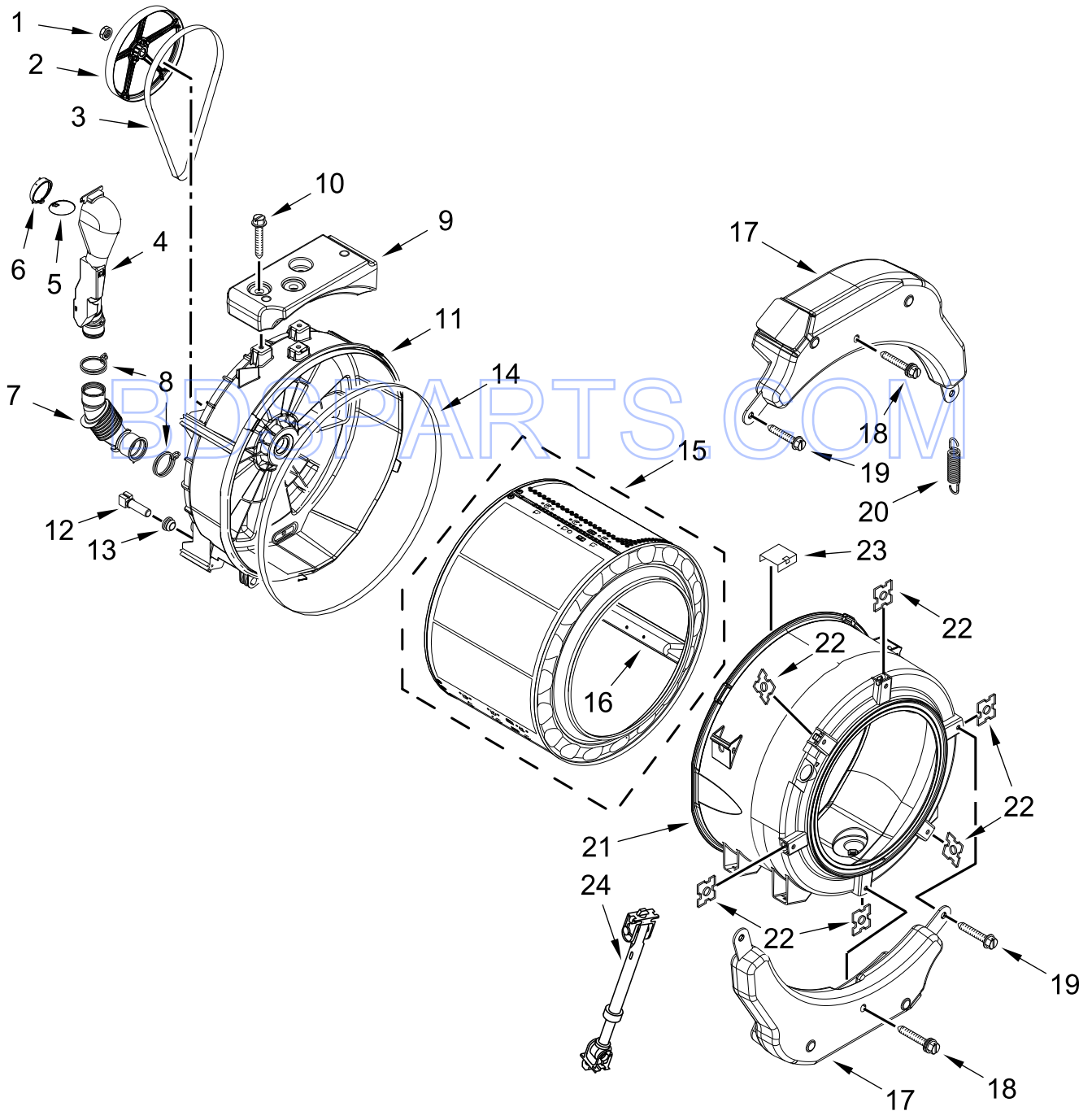


DISPENSER PARTS

| <u>Illus. No.</u> | <u>Part No.</u> | <u>Description</u> | <u>Illus. No.</u> | <u>Part No.</u> | <u>Description</u> | <u>Illus. No.</u> | <u>Part No.</u> | <u>Description</u> |
|-------------------|-----------------|-----------------------------|-------------------|-----------------|--------------------------|-------------------|-----------------|-------------------------|
| 1 | W10212596 | Valve, Water Inlet (Double) | 7 | W10212603 | Dispenser, Outer Housing | 13 | 8540399 | Cover, Detergent Drawer |
| 2 | W10212598 | Valve, Water Inlet (Single) | 8 | W10212604 | Plate, Distribution | 14 | W10198450 | Cover, Handle |
| 3 | W10137456 | Screw | 9 | W10679677 | Siphon, Bleach/Softener | 15 | W10764308 | Handle, Drawer |
| 4 | W10096852 | Clamp, Hose | 10 | W10298953 | Door, Living Hinge | 16 | W10583436 | Hose, Dispenser To Tub |
| 5 | W10212611 | Hose, Valve To Dispenser | 11 | W10376660 | Drawer, Detergent | 17 | 8281276 | Clamp, Hose |
| 6 | 461970803531 | Nozzle, Inlet | 12 | W10919873 | Tab, Drawer Release | | | |

BDSPARTS.COM

TUB AND BASKET PARTS

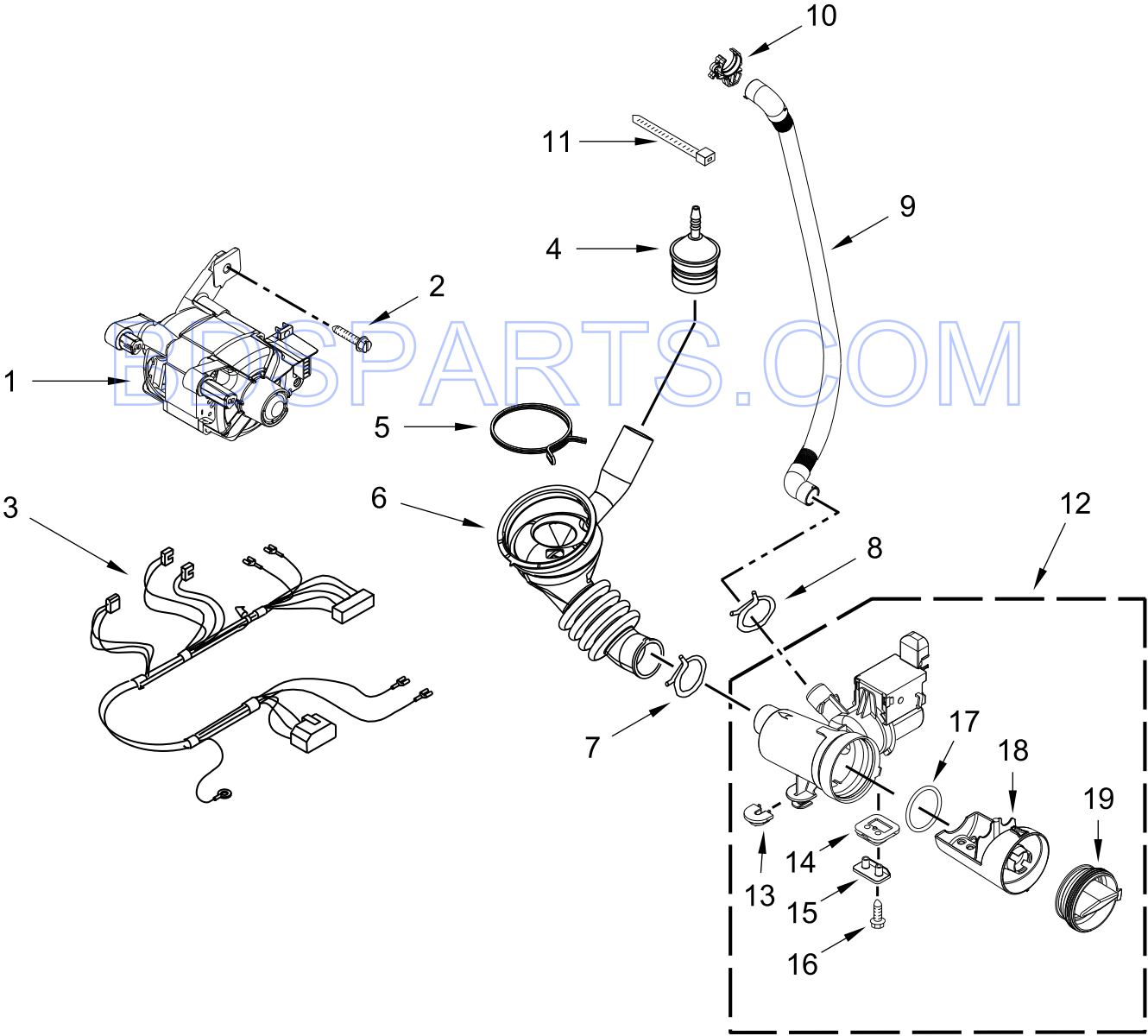


TUB AND BASKET PARTS

| <u>Illus. No.</u> | <u>Part No.</u> | <u>Description</u> | <u>Illus. No.</u> | <u>Part No.</u> | <u>Description</u> | <u>Illus. No.</u> | <u>Part No.</u> | <u>Description</u> |
|-------------------|-----------------|------------------------|-------------------|-----------------|---------------------------|-------------------|-----------------|--|
| 1 | 8533999 | Nut, Pulley | 10 | W10246531 | Screw, Rear Counterweight | 18 | W10259288 | Bolt Assembly, Counterweight Center Hole |
| 2 | 8540088 | Pulley | 11 | W10303574 | Tub, Rear | 19 | W10094780 | Screw |
| 3 | W10260319 | Belt, Drive | 12 | W10467289 | Sensor, Temperature | 20 | W10010360 | Spring, Suspension |
| 4 | W10142720 | Pipe, Ventilation | 13 | 8540228 | Seal, Rubber | 21 | W10266965 | Tub, Front |
| 5 | W10142722 | Flap, Ventilation | 14 | 8540090 | Gasket, Tub | 22 | 8540072 | Nut, Push-In |
| 6 | W10142721 | Ventilation, Connector | 15 | W10303571 | Basket, Complete | 23 | 8540092 | Clamp, Tub |
| 7 | 8540019 | Hose, Exhaust | 16 | W10118982 | Baffle, Tub | 24 | W10015830 | Absorber, Shock |
| 8 | 8540010 | Clamp, Vent Hose | 17 | W10223198 | Counterweight, Front | | | |
| 9 | W10200747 | Counterweight, Rear | | | | | | |

BDSPARTS.COM

PUMP AND MOTOR PARTS



PUMP AND MOTOR PARTS

| <u>Illus.</u> <u>No.</u> | <u>Part No.</u> | <u>Description</u> | <u>Illus.</u> <u>No.</u> | <u>Part No.</u> | <u>Description</u> | <u>Illus.</u> <u>No.</u> | <u>Part No.</u> | <u>Description</u> |
|-----------------------------|-----------------|--------------------|-----------------------------|-----------------|-----------------------|-----------------------------|-----------------|--------------------|
| 1 | W10811032 | Motor, Drive | 10 | W10003290 | Retainer, Drain Hose | 18 | W10391445 | Filter, Pump |
| 2 | 8540134 | Bolt, Motor | 11 | 4454842 | Tie, Cable | 19 | W10391446 | Cap, Filter |
| 3 | W10201879 | Harness, Motor | 12 | W10730972 | Pump (Complete) | | | |
| 4 | W10405608 | Trap, Air | 13 | W10034820 | Foot, Rubber (Slider) | | | |
| 5 | 251971304015 | Clamp | 14 | W10728444 | Foot, Rubber (Lock) | | | |
| 6 | 8540012 | Hose, Tub to Pump | 15 | 8540033 | Cap, Lock Foot | | | |
| 7 | 370448 | Clamp, Hose | 16 | 8533964 | Screw, Ventilation | | | |
| 8 | 356138 | Clamp, Hose | 17 | W10391451 | Seal, Filter Cap | | | |
| 9 | W10272563 | Hose, Drain Inner | | | | | | |

BDSPARTS.COM

OPTIONAL PARTS (NOT INCLUDED)

PAINT, TOUCH-UP (1/2OZ.)

| <u>Illus.</u> <u>No.</u> | <u>Part No.</u> | <u>Description</u> |
|-----------------------------|-----------------|--------------------|
|-----------------------------|-----------------|--------------------|

| | | |
|--|-------|-------|
| | 72017 | White |
|--|-------|-------|

PAINT, BULK (1 QT.)

| <u>Illus.</u> <u>No.</u> | <u>Part No.</u> | <u>Description</u> |
|-----------------------------|-----------------|--------------------|
|-----------------------------|-----------------|--------------------|

| | | |
|--|--------|---------------|
| | 799344 | White (Uncut) |
|--|--------|---------------|

PAINT, PRESSURIZED SPRAY (12 OZ.)

| <u>Illus.</u> <u>No.</u> | <u>Part No.</u> | <u>Description</u> |
|-----------------------------|-----------------|--------------------|
|-----------------------------|-----------------|--------------------|

| | | |
|--|--------|-------------|
| | 350930 | White |
| | 350938 | Gray Primer |

ACCESSORY PARTS

| <u>Illus.</u> <u>No.</u> | <u>Part No.</u> | <u>Description</u> |
|-----------------------------|-----------------|--------------------|
|-----------------------------|-----------------|--------------------|

| | | |
|--|---------|-----------------------|
| | 8529894 | Kit, Hold Down |
| | 80047 | Kit, Dryer Repair |
| | 285863 | 4' Drain Hose w/Clamp |

BDSPARTS.COM