



# MLG-52

## Parts Manual

### Phase 8

---

**RETAIN THESE INSTRUCTIONS IN A SAFE PLACE  
FOR FUTURE REFERENCE**

---

**Whirlpool Corporation**  
Commercial Laundry  
Benton Harbor, MI 49022  
1-800-662-3587

# Retain This Manual In A Safe Place For Future Reference

This product embodies advanced concepts in engineering, design, and safety. If this product is properly maintained, it will provide many years of safe, efficient, and trouble free operation.

**ONLY qualified technicians should service this equipment.**

**OBSERVE ALL SAFETY PRECAUTIONS** displayed on the equipment or specified in the installation manual included with the dryer.

The following “**FOR YOUR SAFETY**” caution must be posted near the dryer in a prominent location.

## FOR YOUR SAFETY

Do not store or use gasoline or other flammable vapors and liquids in the vicinity of this or any other appliance.

## POUR VOTRE SÉCURITÉ

Ne pas entreposer ni utiliser d'essence ni d'autres vapeurs ou liquides inflammables à proximité de cet appareil ou de tout autre appareil.

We have tried to make this manual as complete as possible and hope you will find it useful. The manufacturer reserves the right to make changes from time to time, without notice or obligation, in prices, specifications, colors, and material, and to change or discontinue models.

## Important

For your convenience, log the following information:

DATE OF PURCHASE \_\_\_\_\_ MODEL NO. **MLG-52**

DISTRIBUTOR'S NAME \_\_\_\_\_

Serial Number(s) \_\_\_\_\_

For replacement parts, contact the distributor from which the dryer was purchased or contact:

**Whirlpool Corporation**  
Commercial Laundry  
Benton Harbor, MI 49022  
1-800-662-3587

The illustrations on the following pages may not depict your particular dryer exactly. The illustrations are a composite of the various dryer models. Be sure to check the descriptions of the parts thoroughly before ordering.

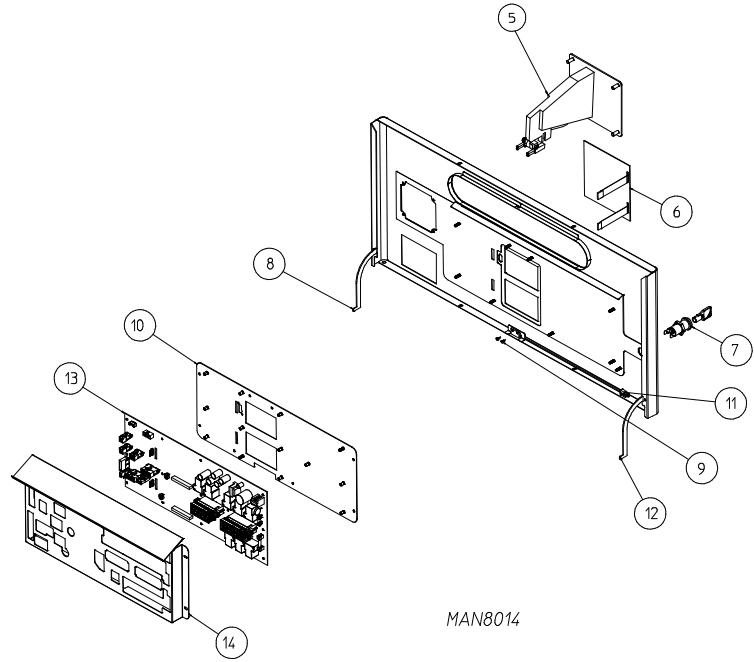
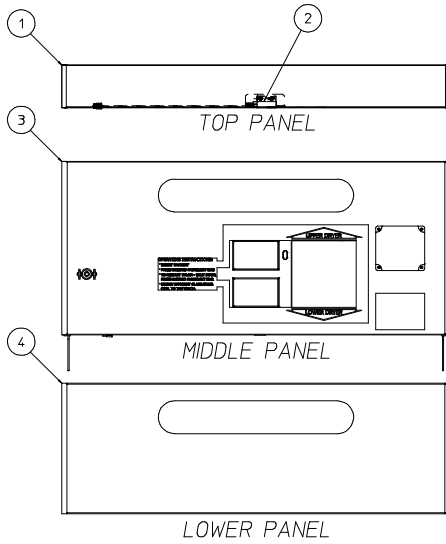
## “IMPORTANT NOTE TO PURCHASER”

Information must be obtained from your local gas supplier on the instructions to be followed if the user smells gas. These instructions must be posted in a prominent location near the dryer.

# Table of Contents

Trim / Control Panels .....	4
Front Panel / Door Assembly .....	5
Lint Box / Screen Assembly .....	6
Blower Motor / Fan Assembly .....	7
Basket Assembly .....	8
Rear Dryer Panel .....	9
Motor Assembly .....	10
Gas Train Assembly .....	11
Wheel Bracket Assembly .....	12

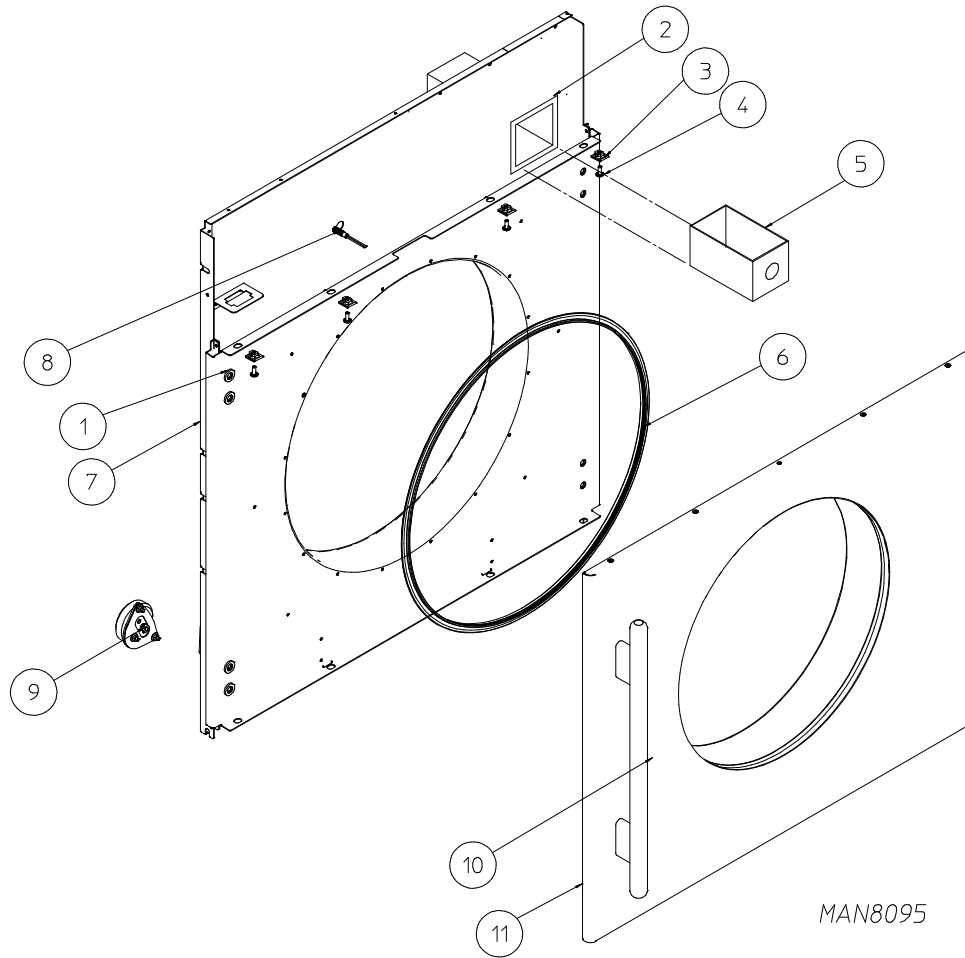
# Trim / Control Panels



MAN8014

<u>Illus. No.</u>	<u>Part No.</u>	<u>Qty.</u>	<u>Description</u>
1	828390*	1	Top Trim Panel Assembly
2	819196	1	Door Switch Assembly
3	828394*	1	Phase 8 Control Panel Assembly (Coin)
4	815356*	1	Toe Panel
5	818213	1	Coin Acceptor Assembly (25¢ Coin)
	819807	1	Optic Switch Assembly
6	112606	1	Keypad (Coin)
7	160071	1	Key Lock Switch
8	315627	1	Control Panel Left Hinge
9	150329	8	3/8" Phillips Head Screw
10	828395	1	Control Board Mount Assembly
11	819196	1	Door Switch Assembly
12	315626	1	Control Panel Right Hinge
13	884478	1	Phase 8 Computer
	136116	1	3-amp "Glass" Fuse
	136056	2	20-amp "Ceramic" Fuse
14	315532	1	Phase 8 Control Cover

\* Specify color when ordering.

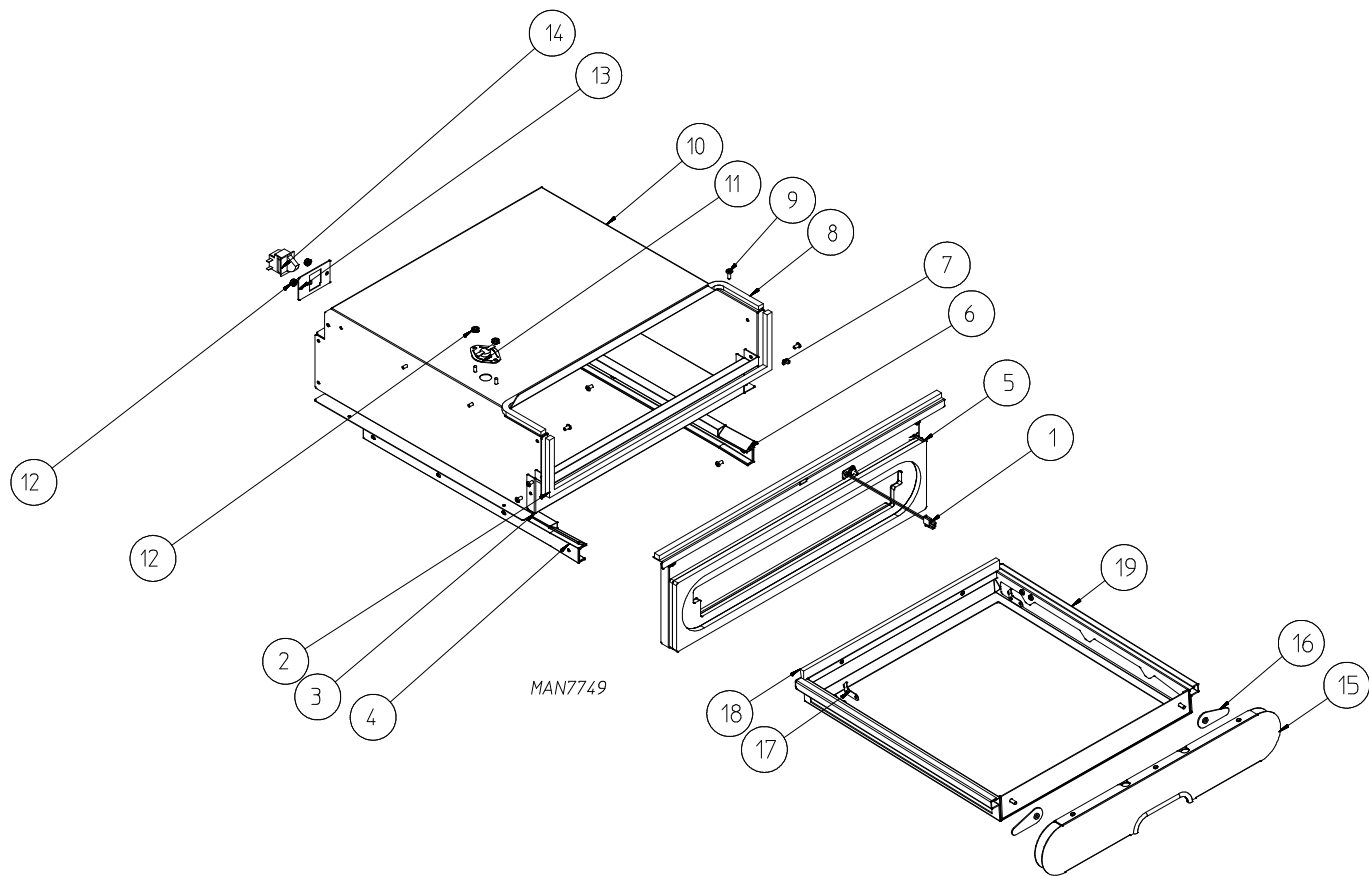


MAN8095

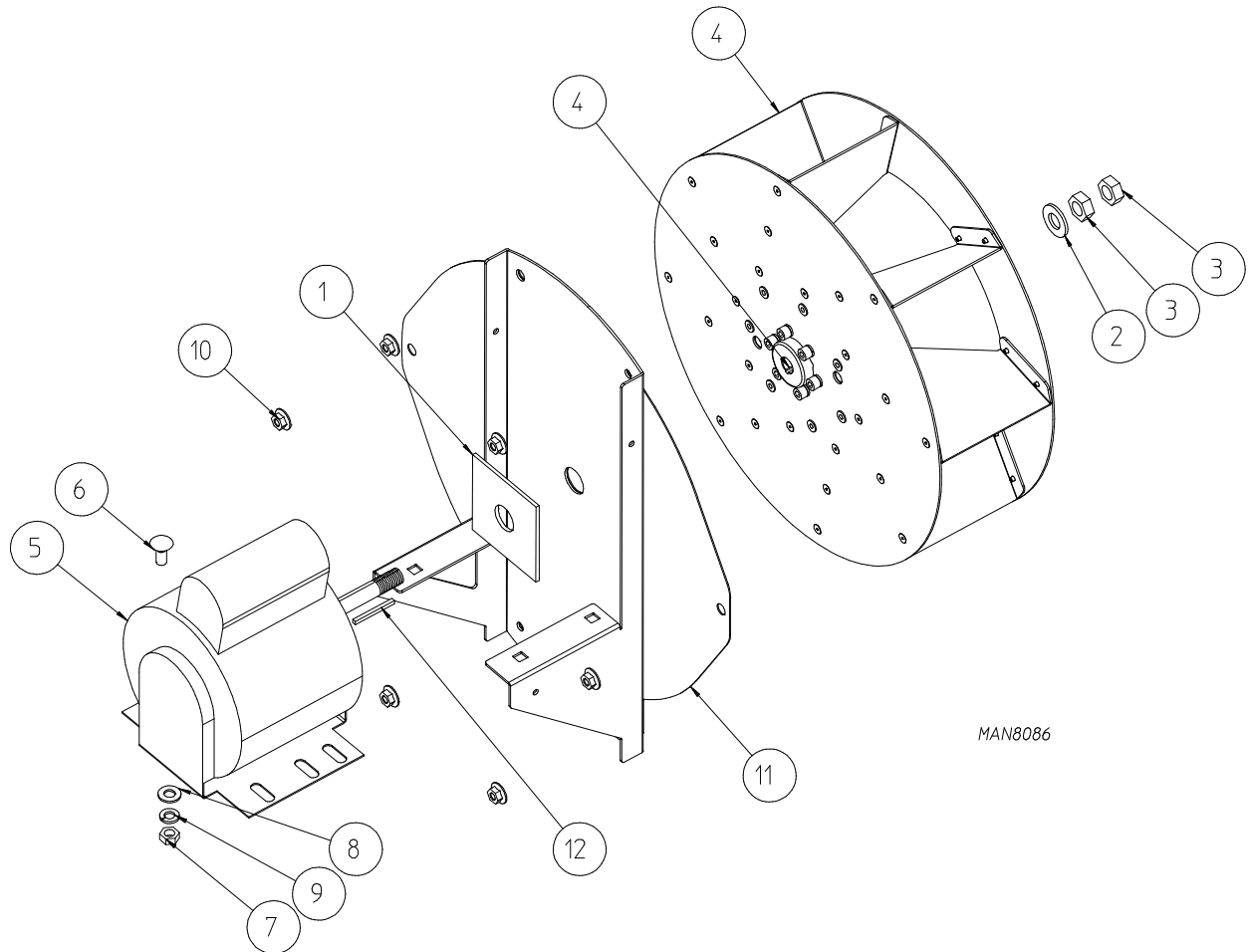
<u>Illus. No.</u>	<u>Part No.</u>	<u>Qty.</u>	<u>Description</u>
1	102004	2	Door Magnet
	102005	2	Door Magnet Blank
	152223	4	T-20 Screw for Door Magnet
2	851339	1	Coin Vault Assembly
3	154059	4	Tinnerman U-Nut Retainer
4	154364	4	#10-16 x 1/2" Phillips Truss Head Screw
5	125916	1	Coin Box
6	102422	1	Door Gasket
7	884499	1	Front Support Panel Assembly
8	851528	1	Rotation Sensor Assembly
9	815280	2	Front Wheel Assembly
			<b>(refer to Wheel Bracket Assembly on page 12)</b>
10	185183	1	White Door Handle
11	815412*	1	Door Assembly Hinge Right CRS
	815419	1	Door Assembly Hinge Right Stainless Steel

\* Specify color when ordering.

# Lint Box / Screen Assembly



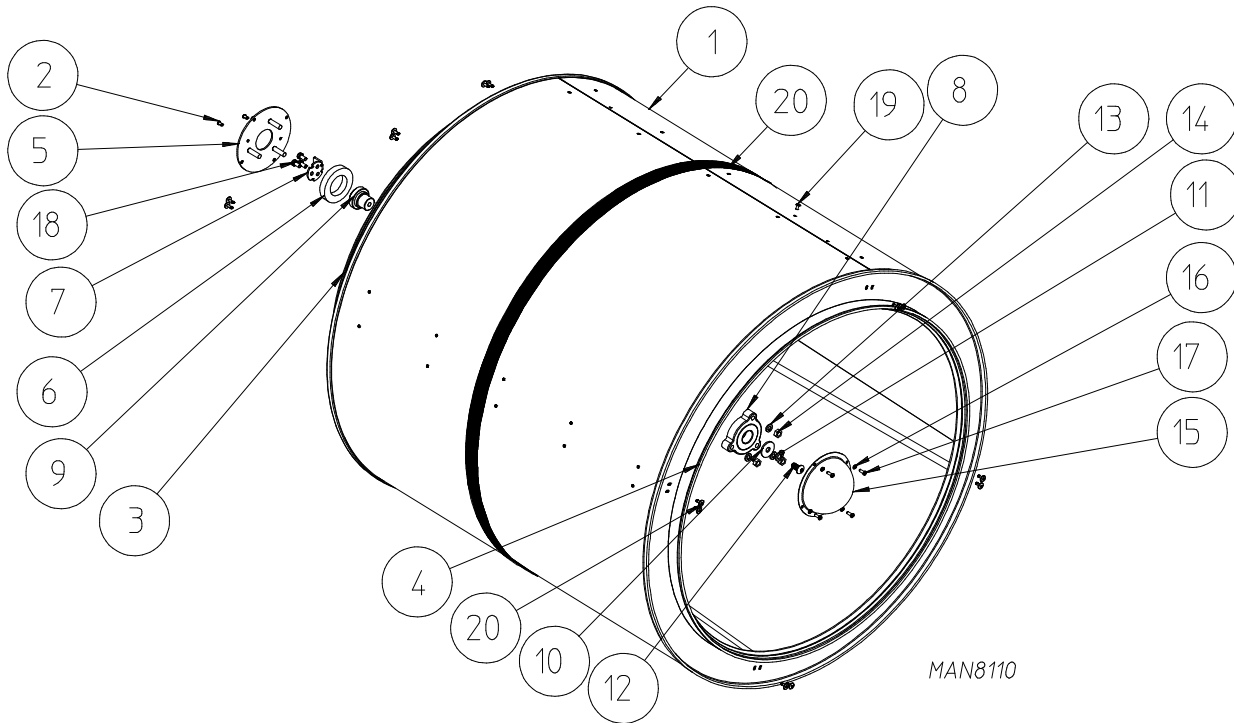
<u>Illus. No.</u>	<u>Part No.</u>	<u>Qty.</u>	<u>Description</u>
1	836028	1	Exhaust Temperature Sensor Assembly
2	117617	8	3/8" by 5/16" Semiclosed Cell Foam
3	315573	1	Lower Lint Box Front
4	185216	1	Molded Lint Rail Left
5	815378	1	Upper Lint Box Front Assembly
6	185215	1	Molded Lint Rail Right
7	154200	29	5/32" Pop Rivet
8	117616	1	1/2" x 1/2" Semi-Closed Cell EPDM PSA
9	150331	8	#8-18 x 1/2" Pan Head Torx Screw
10	815377	1	Lint Box Front and Clinch Stud Assembly
11	130119	1	L190 Auto Reset Thermostat
12	153073	4	#8-32 Keps Nut
13	315590	1	Lint Drawer Switch Bracket
14	122002	1	Door Switch
15	828392	1	Lint Drawer Handle Black with Graphics
16	851536	2	Lint Drawer Fastening Plate
17	185423	2	Lint Drawer Stopper
18	170237	1	Lint Drawer Brush
19	815275	1	Lint Drawer Assembly



MAN8086

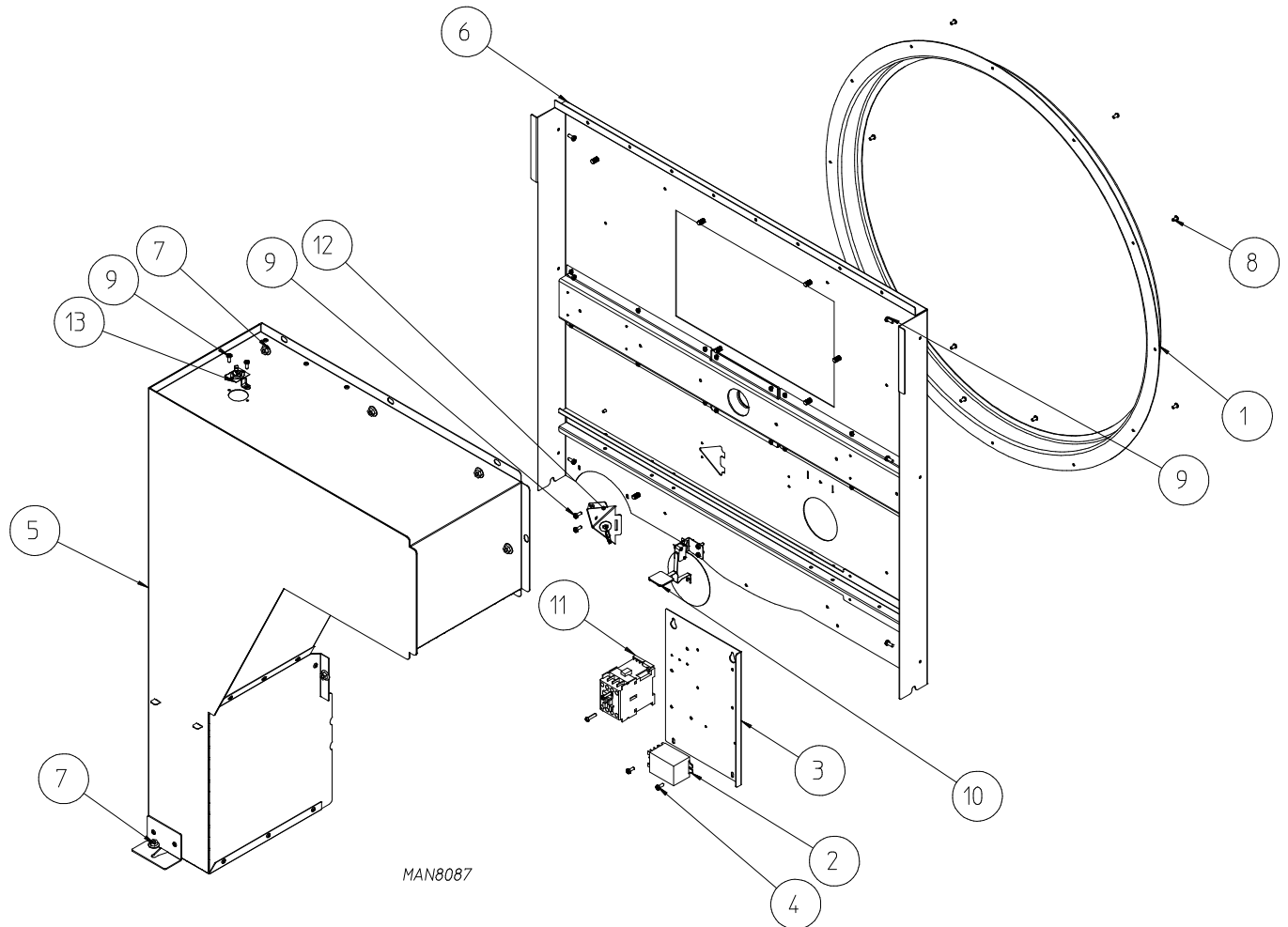
<u>Illus. No.</u>	<u>Part No.</u>	<u>Qty.</u>	<u>Description</u>
1	116010	1	Felt Motor Seal
2	153060	1	1/2 Flat Washer
3	152006	2	1/2-20 Left-Hand Jam Nut
4	846062	1	13-1/2" Riveted Impellor 1/2 Bore
5	181038	1	Blower Motor
6	154279	4	0.312-18 x 0.75 Carriage Bolt
7	152004	4	5/16-18 Hex Nut
8	153001	4	5/16" Flat Washer
9	153002	4	5/16" Lock Washer
10	152014	6	1/4-20 Serrated Hex Flange Nut
11	815395	1	Fan Motor Mount
12	100702	1	Square Key 0.125 x 1.5 Long

# Basket Assembly



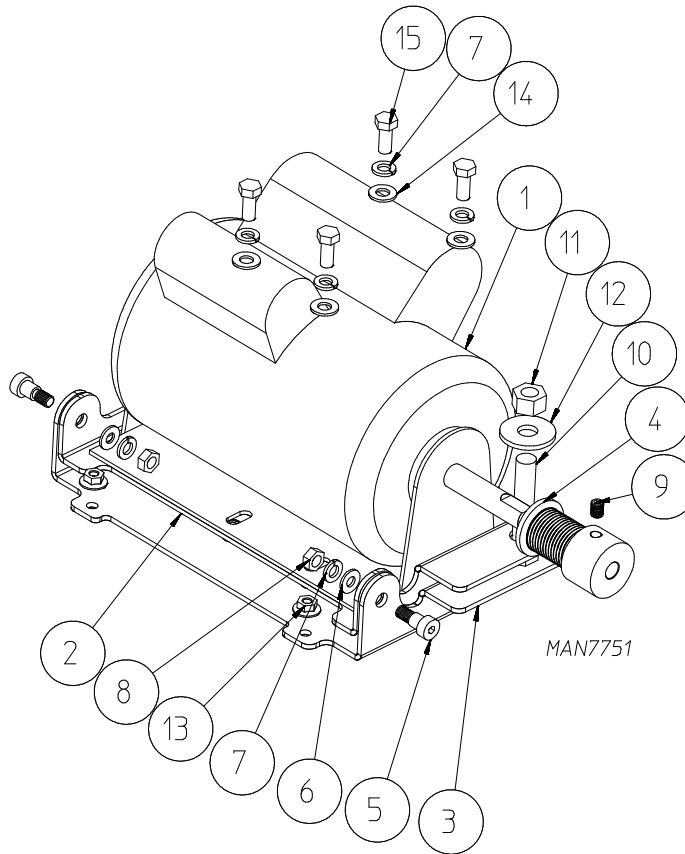
<u>Illus. No.</u>	<u>Part No.</u>	<u>Qty.</u>	<u>Description</u>
1	815473	1	Tumbler Galvanized Assembly (includes illus. nos. 1 through 21)
	102004	1	Rotational Sensor Magnet ... Not Illustrated
2	153570	2	3/16 x 3/8 Self-Clinch Pilot Pin
3	115920	1	Rear Tumbler Felt
4	115921	1	Front Tumbler Felt
5	846011	1	Tumbler Bearing Studded Plate Assembly
6	115919	1	Tumbler Bearing Felt Ring
7	315588	1	Tumbler Shaft Washer
8	100296	1	3 Bolt Flange Bearing
9	346119	1	Tumbler Shaft
10	346029	1	Tumbler Bolt Stainless Steel Washer
11	153005	1	3/8 Lock Washer
12	184241	1	3/8-16 x 3/4 Button Head Socket Cap Screw with Nylon Patch SS
13	153002	3	5/16 Lock Washer
14	152004	3	5/16-18 Hex Nut
15	185597	1	Tumbler Bearing Domed Cover
16	153012	4	#8 Internal Star Washer Zinc
17	150108	4	8-32 x 1/2 Phillips Pan Head Machine Screw
18	150636	3	1/4-20 x 1/2 Socket Button Head Cap Screw SS with Nylon Patch
19	154211	56	5/32 Buttonhead Rivet
20	102418	1	Tumbler Belt



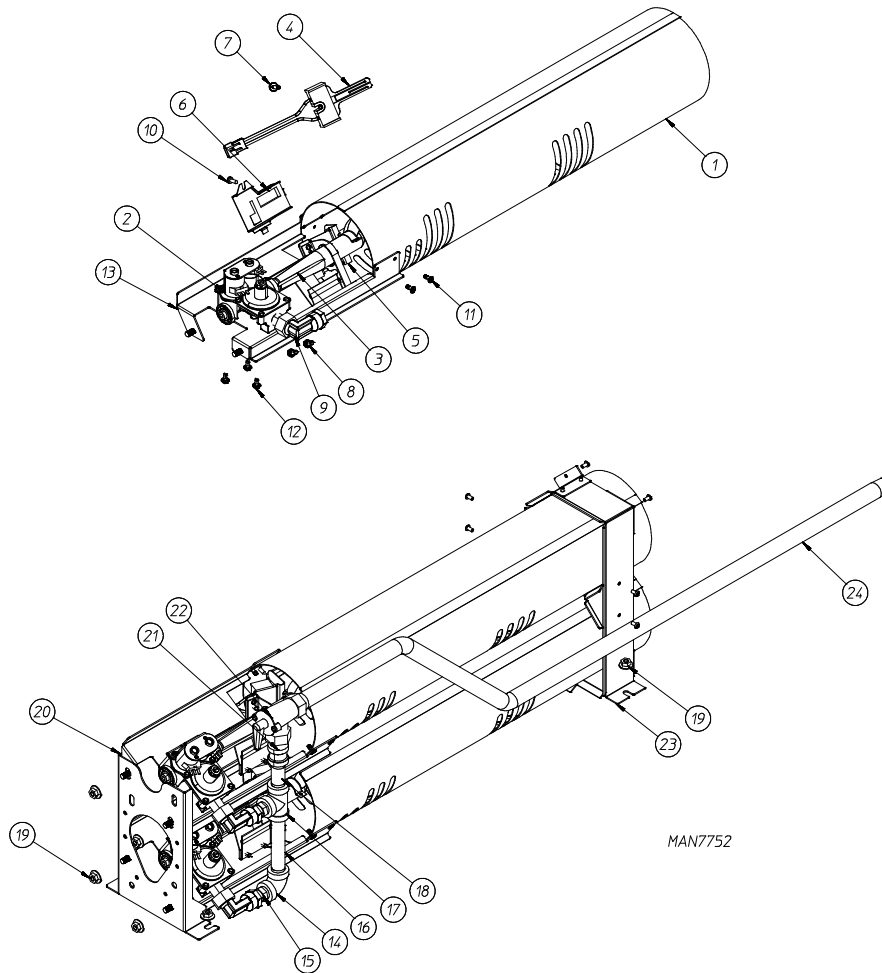


<u>Illus. No.</u>	<u>Part No.</u>	<u>Qty.</u>	<u>Description</u>
1	185673	1	Rear Bulkhead
2	131819	1	25 amp 120V Power Relay
3	815318	1	120V Relay Panel Assembly (includes illus. nos. 2, 3, 4, and 12)
4	150331	2	8-18 x 1/2" Pan Head Torx Screw
5	815287	1	Heat Duct
6	815380	1	Rear Support Panel
7	152014	8	1/4-20 Serrated Hex Flange Nut
8	154200	35	5/32 Pop Rivet
9	150331	12	8-18 x 1/2 Pan Head Torx Screw
10	828238	1	Sail Switch Assembly Linkagless
11	132414	1	DPDT 120V Contactor
12	815258	1	Axial Probe Assembly
13	183112	1	205° Gas Hi-Limit Thermostat

# Motor Assembly

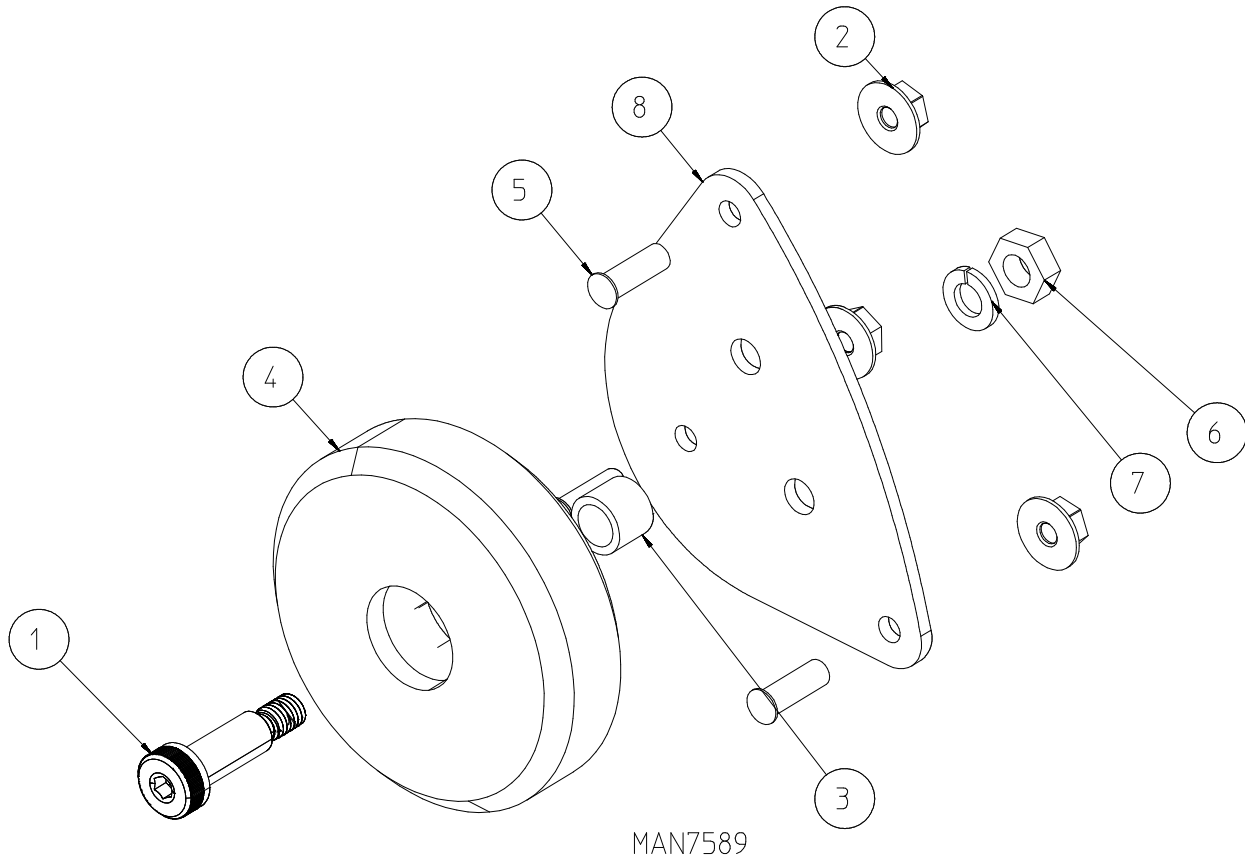


<u>Illus. No.</u>	<u>Part No.</u>	<u>Qty.</u>	<u>Description</u>
1	884393	1	Motor Assembly with Sheave (includes illus. nos. 1, 4, and 9)
	815350	1	Motor Mount Complete (includes illus. nos. 1 through 15)
2	846016	1	Motor Mount Assembly
3	346037	1	Motor Mount Base
4	315696	1	60 Hz Motor Sheave
5	154266	2	3/8" x 3/8" (Shoulder Screw)
6	153018	2	1/4" Flat Washer
7	153002	2	5/16" Lock Washer
8	152004	2	5/16-18 Hex Nut
9	154321	1	5/16-24 x 3/8" Allen Setscrew
10	150641	1	1/2-13 x 3" Tap Bolt
11	152011	2	1/2-13 Hex Nut
12	153033	1	1/2" x 1-3/8" Flat Washer
13	152014	4	1/4-20 Hex Nut
14	153011	1	5/16" Std Lock Washer
15	150501	4	5/16-18 x 3/4" Bolt



<u>Illus. No.</u>	<u>Part No.</u>	<u>Qty.</u>	<u>Description</u>
1	315548	1	Burner Tube
2	128944	1	Gas Valve 120 VAC 60 Hz
3	183144	1	Inshot H.S.I. Tube
4	128910	1	Glow Bar
5	185063	1	H.S.I. Bracket
6	130500	1	Flame Sensor
7	183145	1	Screw with Copper Washer
8	152208	3	10-32 x 1/2 Hex Head Sheet Metal Screw
9	141319	1	3/8 Brass Elbow
10	150331	1	8-18 x 1/2 Pan Head Torx Screw
11	154205	6	5/32 x 1/4 Stainless Steel Rivet
12	152209	3	Hex Head Tapping Screw
13	815308	1	Gas Valve Bracket
14	143359	1	3/8 NPT 90° Black Iron Elbow
15	182579	2	3/8 MPT x 3/8 MPT Brass Hex Nipple
16	142764	1	3/8 x 4" Black Iron Pipe Nipple
17	143358	1	3/8 NPT Black Iron Tee
18	142631	1	3/8 x 2" Black Iron Pipe Nipple
19	152014	8	1/4-20 Serrated Hex Flange Nut
20	315604	1	Front Gas Burner Mounting Bracket
21	143003	1	3/8 x 3/8 Coupling
22	141320	1	Union Shutoff
23	884390	1	Gas Oven Acceptor Assembly
24	185676	1	Gas Pipe

# Wheel Bracket Assembly



<u>Illus. No.</u>	<u>Part No.</u>	<u>Qty.</u>	<u>Description</u>
1	154264	1	10 M8 x 25mm Shoulder Bolt
2	152014	3	1/4-20 Free Spin Wash Nut
3	154284	1	Tumbler Wheel Spacer
4	180060	1	3-1/2" Tumbler Support Wheel
5	153557	3	1/4-20 x 3/4" Self-Clinching Stud
6	154013	1	M8 Hex Nut
7	153002	1	5/16" Lock Washer
8	315536	1	1/2" Wheel Bracket



