



# MLG-96

## Parts Manual

DSI / 2000

---

**American Dryer Corporation**  
88 Currant Road  
Fall River, MA 02720-4781  
Telephone: (508) 678-9000 / Fax: (508) 678-9447  
E-mail: techsupport\_large\_dryer@amdry.com

[www.amdry.com](http://www.amdry.com)

# Retain This Manual In A Safe Place For Future Reference

American Dryer Corporation products embody advanced concepts in engineering, design, and safety. If this product is properly maintained, it will provide many years of safe, efficient, and trouble free operation.

**ONLY qualified technicians should service this equipment.**

**OBSERVE ALL SAFETY PRECAUTIONS** displayed on the equipment or specified in the installation manual included with the dryer.

The following “**FOR YOUR SAFETY**” caution must be posted near the dryer in a prominent location.

## FOR YOUR SAFETY

Do not store or use gasoline or other flammable vapors and liquids in the vicinity of this or any other appliance.

## POUR VOTRE SÉCURITÉ

Ne pas entreposer ni utiliser d'essence ni d'autres vapeurs ou liquides inflammables à proximité de cet appareil ou de tout autre appareil.

We have tried to make this manual as complete as possible and hope you will find it useful. ADC reserves the right to make changes from time to time, without notice or obligation, in prices, specifications, colors, and material, and to change or discontinue models.

## Important

For your convenience, log the following information:

DATE OF PURCHASE \_\_\_\_\_ MODEL NO. **MLG-96**  
RESELLER'S NAME \_\_\_\_\_  
Serial Number(s) \_\_\_\_\_  
\_\_\_\_\_  
\_\_\_\_\_

Replacement parts can be obtained from your reseller or the ADC factory. When ordering replacement parts from the factory, you can FAX your order to ADC at (508) 678-9447 or telephone your order directly to the ADC Parts Department at (508) 678-9000. Please specify the dryer model number and serial number in addition to the description and part number, so that your order is processed accurately and promptly.

The illustrations on the following pages may not depict your particular dryer exactly. The illustrations are a composite of the various dryer models. Be sure to check the descriptions of the parts thoroughly before ordering.

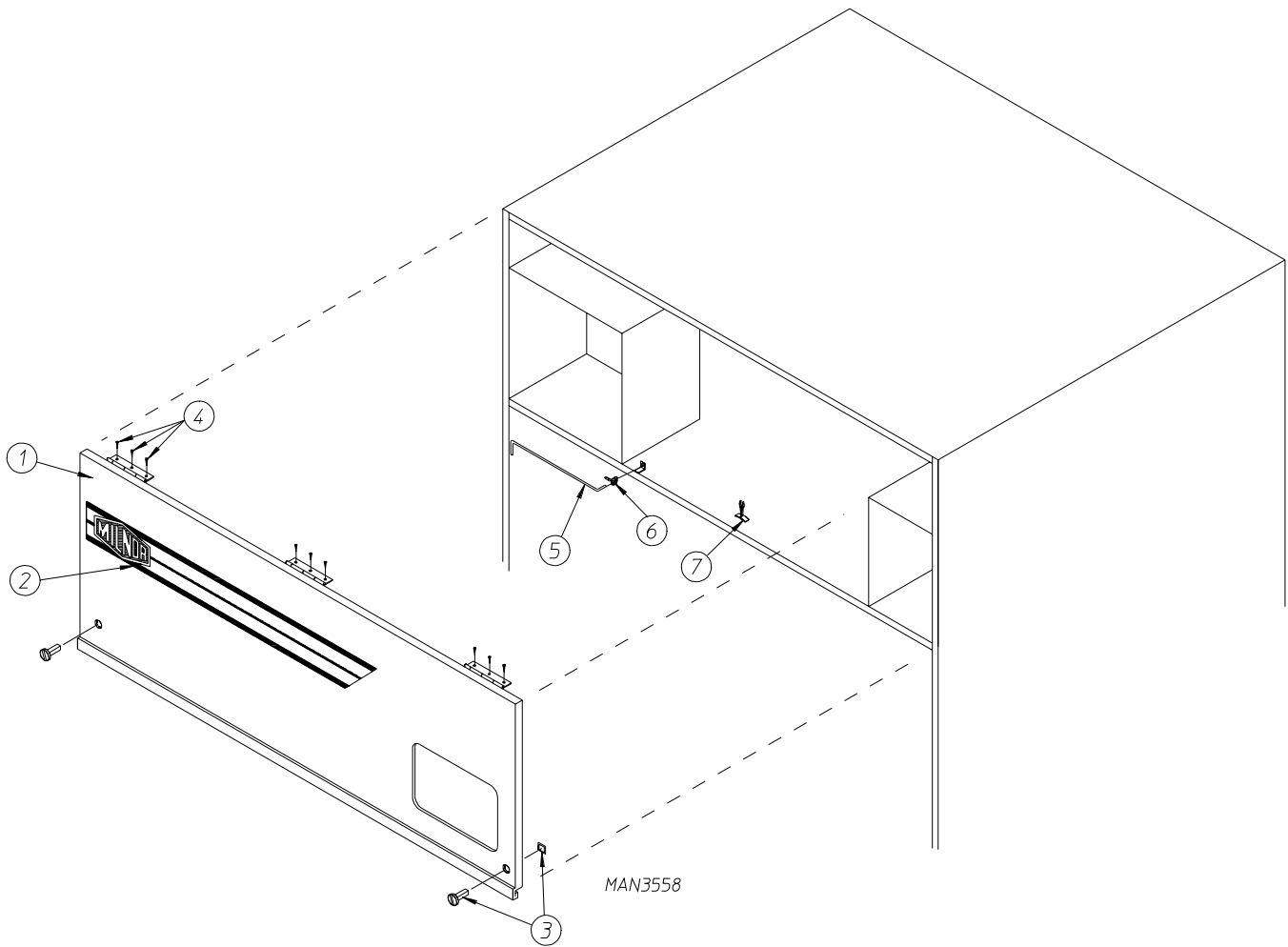
### **“IMPORTANT NOTE TO PURCHASER”**

Information must be obtained from your local gas supplier on the instructions to be followed if the user smells gas. These instructions must be posted in a prominent location near the dryer.

# Table of Contents

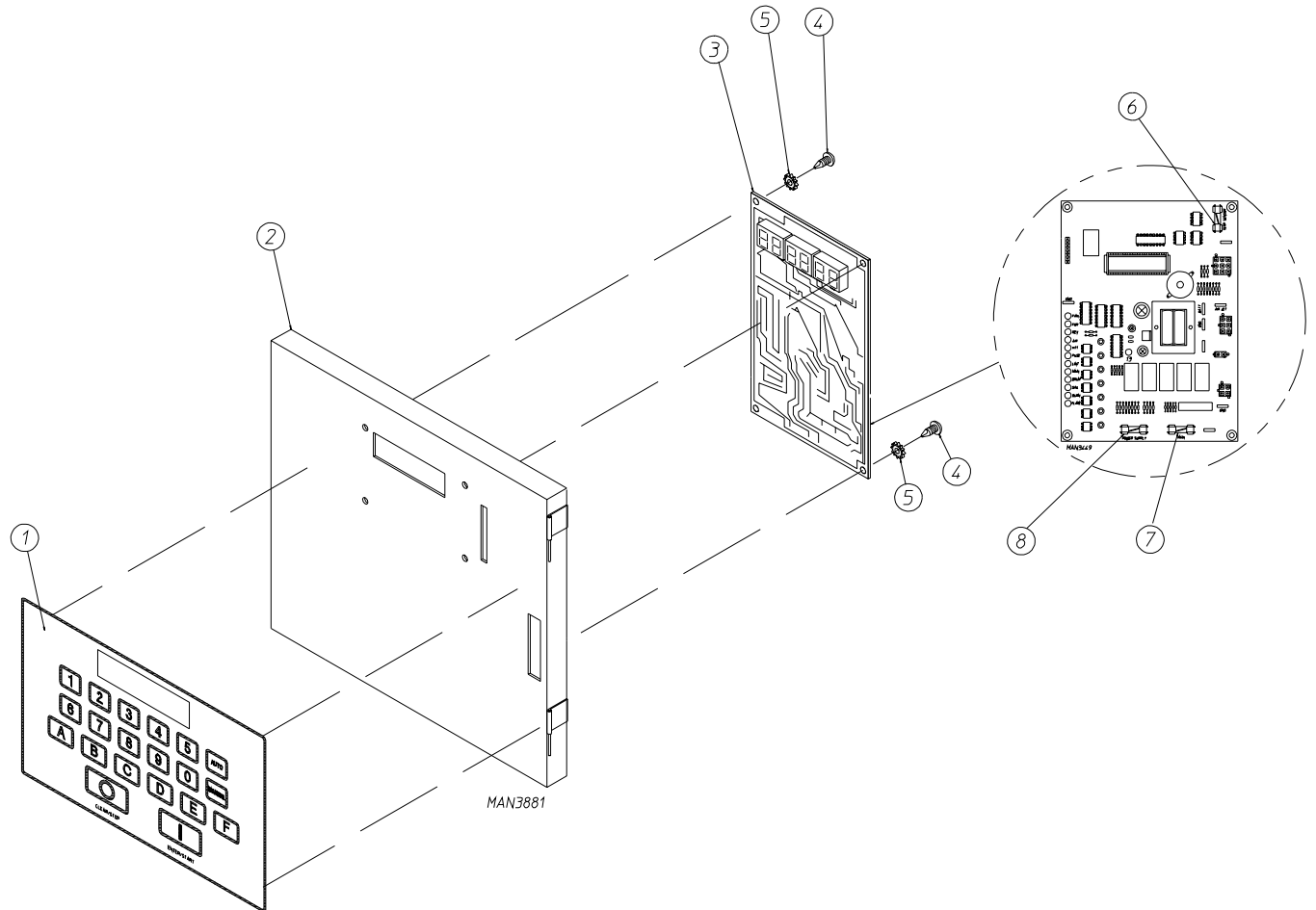
Control Door Assembly .....	4
Phase 6 Microprocessor Panel Assembly .....	5
Main Door / Front Panel Assembly .....	6
Main Door Assembly .....	8
Main Door Switch Assembly .....	10
Temperature Sensor Bracket Assembly .....	11
Wrapper Assembly .....	12
Lint Door Assembly .....	13
Tumbler Assembly .....	14
Tumbler Bearing Assembly .....	15
Idler Shaft Assembly .....	16
Drive Shaft Assembly .....	17
Drive Motor Assembly .....	18
Motorized Impellor (Fan) Assembly .....	19
Direct Spark Ignition Burner Assembly .....	20
Reversing Relay Panel Assembly .....	22
Pneumatic Valve Assembly .....	23
Air Jet Assembly for Models Mfd. as of April 9, 2004 .....	24
Air Jet Assembly for Models Mfd. prior to April 9, 2004 .....	25
Sail Switch Assembly .....	26
Exhaust Collar Assembly .....	27

# Control Door Assembly



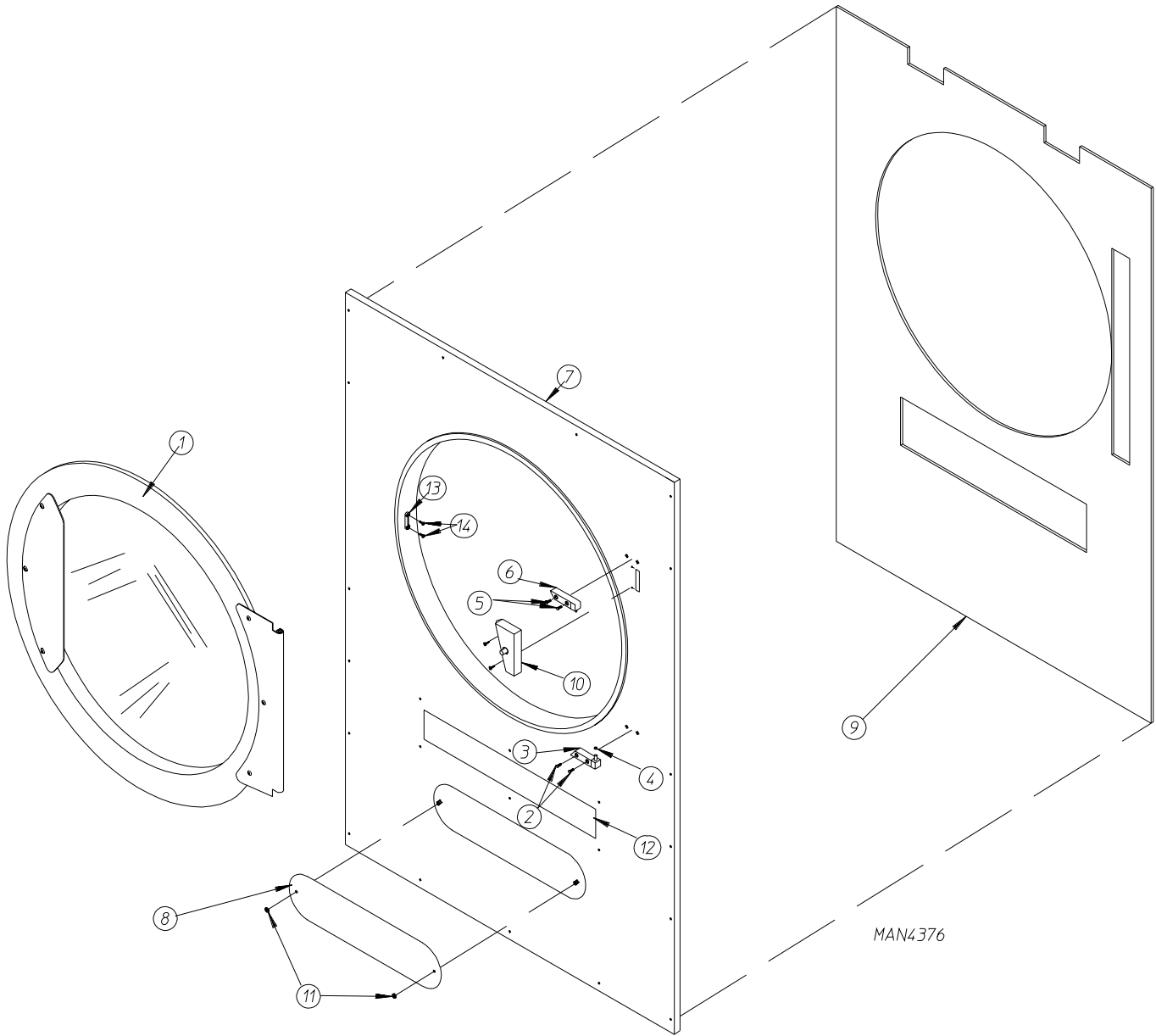
<u>Illus. No.</u>	<u>Part No.</u>	<u>Qty.</u>	<u>Description</u>
1	882246	1	White Control Door Assembly Complete (includes illus. nos. 1 and 3)
	882376	1	Cornflower Blue Control Door Assembly Complete (includes illus. nos. 1 and 3)
	882355	1	Corvel Dry Blue Control Door Assembly Complete (includes illus. nos. 1 and 3)
	882357	1	Coral Wrinkle Blue Control Door Assembly Complete (includes illus. nos. 1 and 3)
	882359	1	Coral Blue Control Door Assembly Complete (includes illus. nos. 1 and 3)
2	112373	1	Logo ONLY
3	882541	2	Spring Turn Latch (2-piece)
4	150309	9	#10-16 x 1/2" Hex Head TEK Crimptite Screw
5	102505	1	Control Door Support Rod
6	102601	1	Control Door Retainer Clip
7	102603	1	Control Door Rod Catch

# Phase 6 Microprocessor Panel Assembly



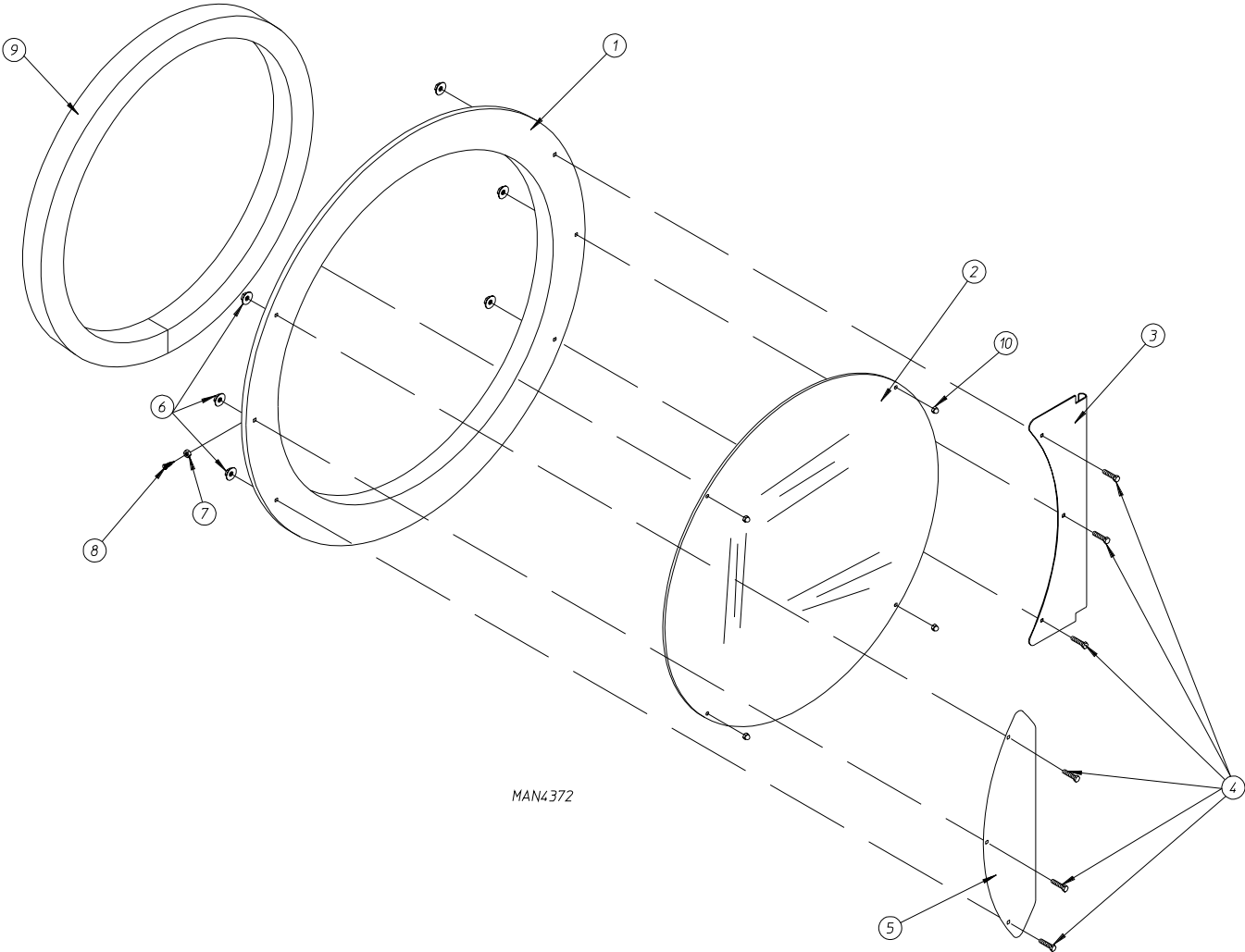
<u>Illus. No.</u>	<u>Part No.</u>	<u>Qty.</u>	<u>Description</u>
1	112537	1	Phase 6 Non-Coin Keypad
2	824480	1	Phase 6 Microprocessor Controller (computer) Panel ONLY
3	137124	1	Phase 6 Reversing Microprocessor Controller (computer) with Air Jet (for models mfd. as of June 26, 1998)
	137122	1	Phase 6 Reversing Microprocessor Controller (computer) without Air Jet (for models mfd. prior to June 26, 1998)
4	150005	6	#6-32 x 1/4" Phillips Round Head Machine Screw
5	153010	6	#6 Star Washer
6	136048	1	1/8-Amp (Slo-Blo) Fuse
7	136017	1	3.5-Amp (fast acting) Fuse
8	136019	1	1-Amp (fast acting) Fuse

# Main Door / Front Panel Assembly



<u>Illus. No.</u>	<u>Part No.</u>	<u>Qty.</u>	<u>Description</u>
1	—————	1	Main Door <b>(refer to Main Door Assembly on page 8)</b>
2	150443	2	Socket Cap Screw
3	881441	1	White Bottom Hinge Block
	882306	1	Cornflower Blue Bottom Hinge Block
	881735	1	Corvel Dry Blue Bottom Hinge Block
	882283	1	Coral Wrinkle Blue Bottom Hinge Block
	882335	1	Coral Blue Bottom Hinge Block
4	153031	1	Nylon Washer
5	150443	2	Socket Cap Screw
6	881440	1	White Top Hinge Block
	882307	1	Cornflower Blue Top Hinge Block
	881736	1	Corvel Dry Blue Top Hinge Block
	882284	1	Coral Wrinkle Blue Top Hinge Block
	882334	1	Coral Blue Top Hinge Block
7	882236	1	White Front Panel (includes illus. nos. 7, 13, and 14)
	882375	1	Cornflower Blue Front Panel Assembly (includes illus. nos. 7, 13, and 14)
	882344	1	Corvel Dry Blue Front Panel Assembly (includes illus. nos. 7, 13, and 14)
	882345	1	Coral Wrinkle Blue Front Panel Assembly (includes illus. nos. 7, 13, and 14)
	882346	1	Coral Blue Front Panel Assembly (includes illus. nos. 7, 13, and 14)
8	390227	1	Emblem
9	116326	1	Front Panel Insulation
10	—————	1	Main Door Switch <b>(refer to Main Door Switch Assembly on page 10)</b>
11	182507	2	1/4-20 High Crown Acorn Nut
12	—————	1	Lint Screen <b>(refer to Lint Door Assembly on page 13)</b>
13	170330	1	Friction Door Latch
14	154215	2	5/32" x 1/4" Rivet

# Main Door Assembly

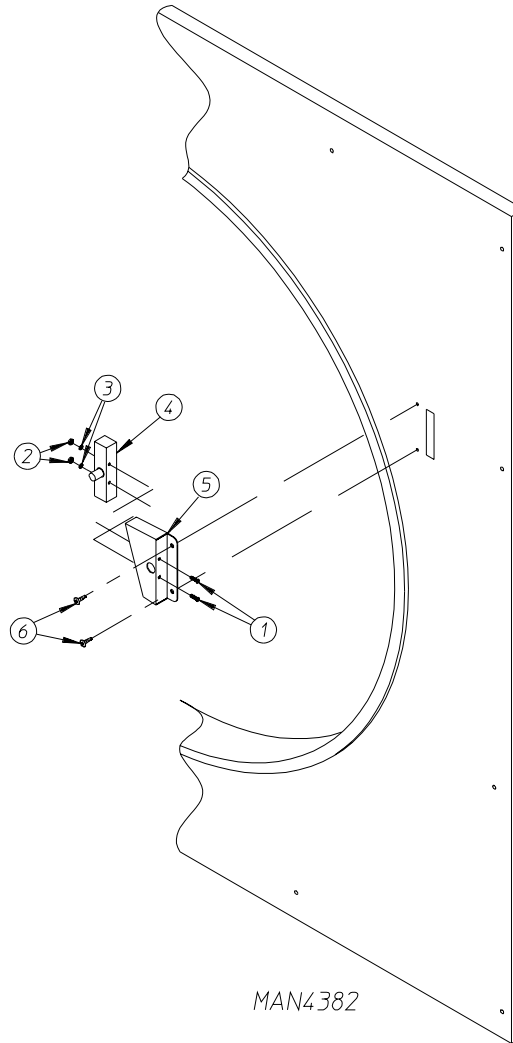


MAN4372



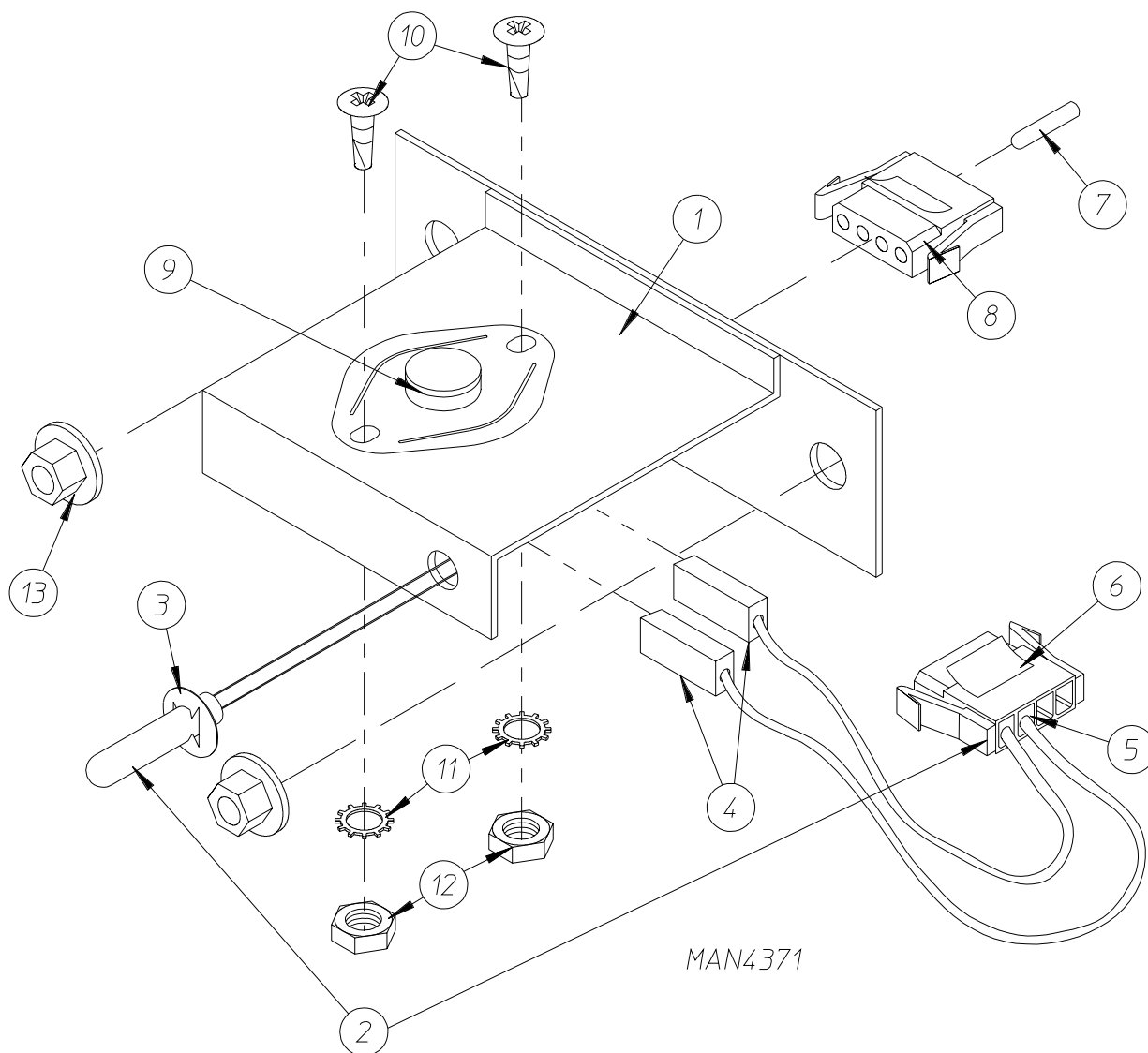
<u>Illus. No.</u>	<u>Part No.</u>	<u>Qty.</u>	<u>Description</u>
1	881968	1	White Cold Rolled Steel Main Door Assembly (includes illus. nos. 1 through 10)
	882308	1	Cornflower Blue Cold Rolled Steel Main Door Assembly (includes illus. nos. 1 through 10)
	881761	1	Corvel Dry Blue Cold Rolled Steel Main Door Assembly (includes illus. nos. 1 through 10)
	882292	1	Coral Wrinkle Blue Cold Rolled Steel Main Door Assembly (includes illus. nos. 1 through 10)
	882353	1	Coral Blue Cold Rolled Steel Main Door Assembly (includes illus. nos. 1 through 10)
	881966	1	White Cold Rolled Steel Large Main Door Ring (white)
	882309	1	Cornflower Blue Cold Rolled Steel Large Main Door Ring
	881756	1	Corvel Dry Blue Cold Rolled Steel Large Main Door Ring
	882305	1	Coral Wrinkle Blue Cold Rolled Steel Large Main Door Ring
	882343	1	Coral Blue Cold Rolled Steel Large Main Door Ring
2	102214	1	30" Main Door Glass
3	881685	1	White Main Door Hinge
	882310	1	Cornflower Blue Main Door Hinge
	881757	1	Corvel Dry Blue Main Door Hinge
	882296	1	Coral Wrinkle Blue Main Door Hinge
	882336	1	Coral Blue Main Door Hinge
4	881740	6	1/4-20 x 5/8" White Carriage Bolt
	882311	6	1/4-20 Carriage Bolt (cornflower blue)
	881739	6	1/4-20 Carriage Bolt (corvel dry blue)
	882339	6	1/4-20 Carriage Bolt (coral wrinkle blue)
	882336	6	Coral Blue Main Door Hinge
	882336	6	Coral Blue Main Door Hinge
5	881688	1	White Main Door Handle
	882312	1	Cornflower Blue Main Door Handle
	881737	1	Corvel Dry Blue Main Door Handle
	882295	1	Coral Wrinkle Blue Main Door Handle
	882337	1	Coral Blue Main Door Handle
6	152492	6	1/4-20 Free Spin Wash Nut
7	152008	1	#10-32 Hex Nut
8	150125	1	Door Latch Screw
9	882411	1	7/8" x 7/8" x 104" Door Gasket
10	151012	4	#10-32 Nylon Acorn Nut (white)

# Main Door Switch Assembly



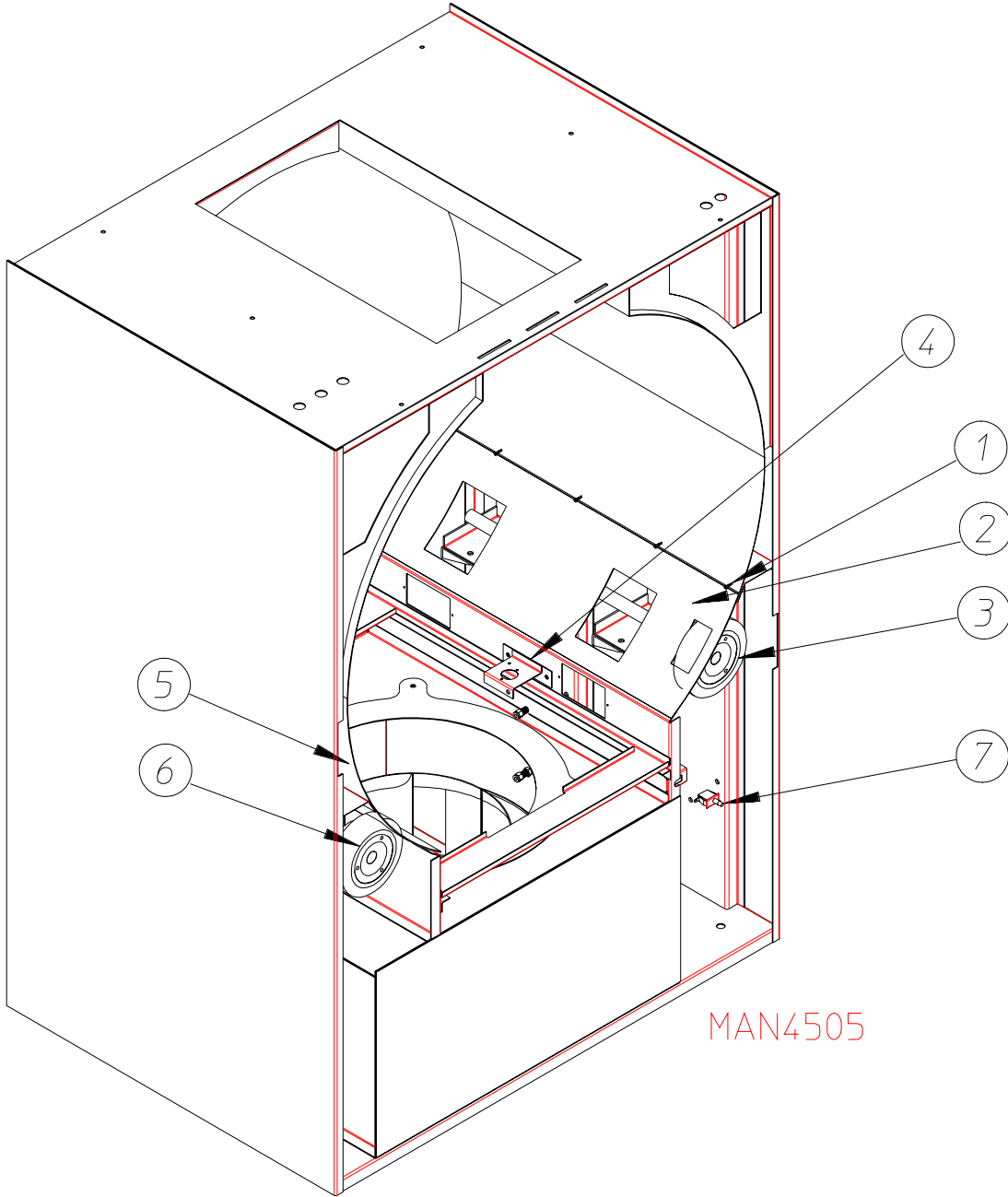
<u>Illus. No.</u>	<u>Part No.</u>	<u>Qty.</u>	<u>Description</u>
1	150006	2	#6-32 x 7/8" Phillips Pan Head Machine Screw
2	152013	2	#6-32 Hex Nut
3	153010	2	#6 Star Washer
4	137005	1	Main Door Switch ONLY
5	881702	1	White Main Door Switch Housing Assembly Complete (includes illus. nos. 1 through 5)
	882314	1	Cornflower Blue Main Door Switch Housing Assembly (includes illus. nos. 1 through 5)
	881700	1	Corvel Dry Blue Main Door Switch Housing Assembly (includes illus. nos. 1 through 5)
	882298	1	Coral Wrinkle Blue Main Door Switch Housing Assembly (includes illus. nos. 1 through 5)
	882341	1	Coral Blue Main Door Switch Housing Assembly (includes illus. nos. 1 through 5)
	881687	1	White Main Door Switch Housing ONLY
	882315	1	Cornflower Blue Main Door Switch Housing ONLY
	881695	1	Corvel Dry Blue Main Door Switch Housing ONLY
	882291	1	Coral Wrinkle Blue Main Door Switch Housing ONLY
	882338	1	Coral Blue Main Door Switch Housing ONLY
6	150301	2	#8-18 x 7/16" Phillips Pan Head TEK Screw

# Temperature Sensor Bracket Assembly

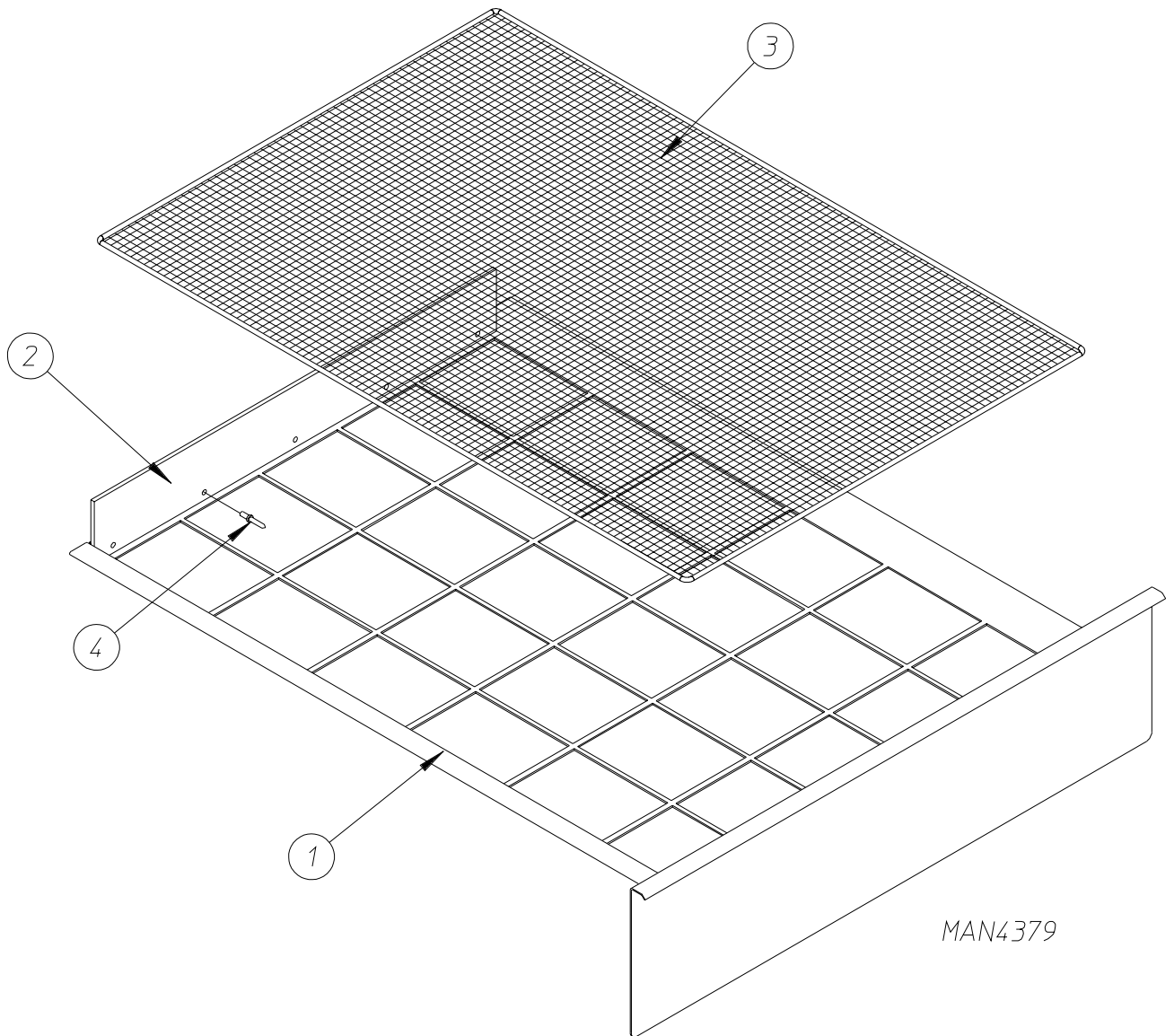


<u>Illus. No.</u>	<u>Part No.</u>	<u>Qty.</u>	<u>Description</u>
1	859372	1	Temperature Sensor Bracket Complete (includes illus. nos. 1 through 6 and 9 through 12)
	881089	1	Sensor Bracket
2	884258	1	4" Temperature Sensor Probe Assembly
3	154007	2	1/4" Push-On Fastener
4	121028	1	1/4" Terminal
5	122701	4	Socket Terminal ONLY
6	122605	1	4-Position Female Connector
7	122700	4	Pin Terminal ONLY
8	122604	1	4-Position Male Connector
9	130302	1	225° Thermostat
10	150005	2	#6-32 x 1/4" Phillips Round Head Machine Screw
11	153010	2	#6 Star Washer
12	152013	2	#6-32 Hex Nut
13	152014	2	1/4-20 Free Spin Wash Nut

# Wrapper Assembly



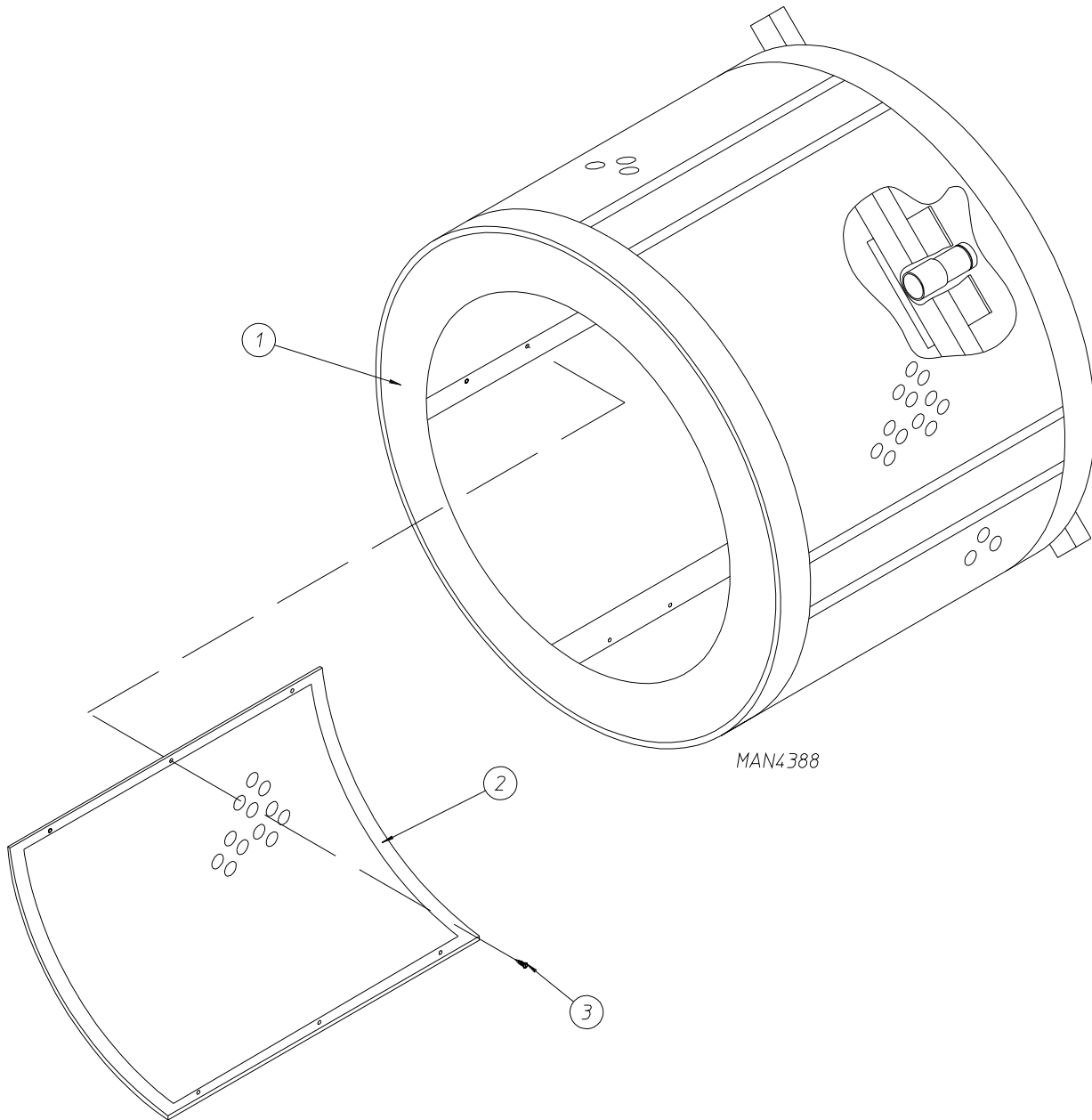
Illus. No.	Part No.	Qty.	Description
1	150309	20	#10-16 x 1/2" Hex Head TEK Crimptite Screw
2	859367	1	Bottom Right Wrapper
3	—	1	Idler Shaft (refer to Idler Shaft Assembly on page 16)
4	—	1	Temperature Sensor Bracket (refer to Temperature Sensor Bracket Assembly on page 11)
5	859368	1	Bottom Left Wrapper
6	—	1	Drive Shaft (refer to Drive Shaft Assembly on page 17)
7	122116	1	Lint Door Switch – 24 VAC



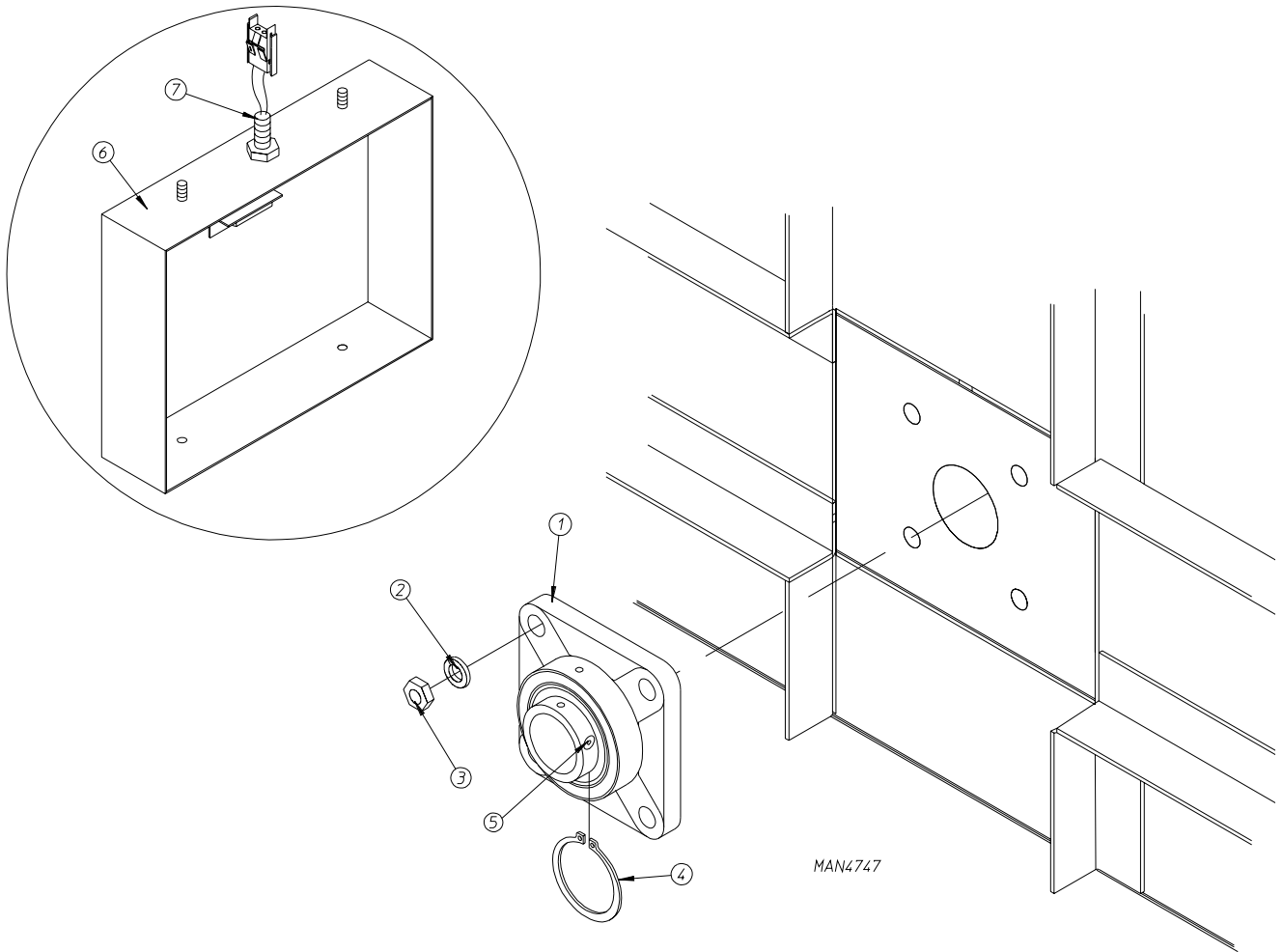
MAN4379

<u>Illus. No.</u>	<u>Part No.</u>	<u>Qty.</u>	<u>Description</u>
1	882347	1	White Lint Drawer Assembly (includes illus. nos. 1, 2, and 4)
	882378	1	Cornflower Blue Lint Drawer Assembly (includes illus. nos. 1, 2, and 4)
	882348	1	Corvel Dry Blue Lint Drawer Assembly (includes illus. nos. 1, 2, and 4)
	882349	1	Coral Wrinkle Blue Lint Drawer Assembly (includes illus. nos. 1, 2, and 4)
	882350	1	Coral Blue Lint Drawer Assembly (includes illus. nos. 1, 2, and 4)
2	115902	1	Lint Basket Felt
3	882210	1	Lint Screen Assembly
	859384	1	Stainless Steel Lint Screen Assembly
4	154215	5	5/32" x 1/4" Rivet

# Tumbler Assembly

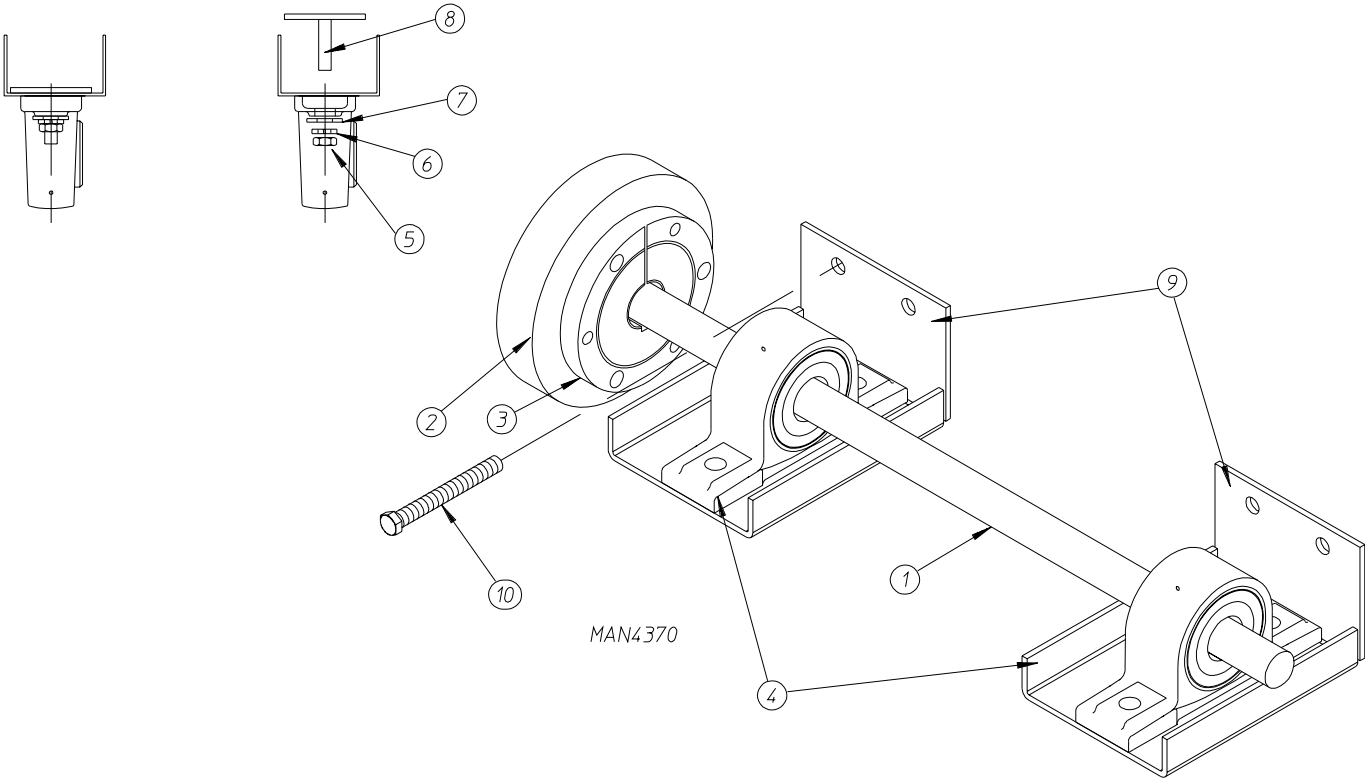


<u>Illus. No.</u>	<u>Part No.</u>	<u>Qty.</u>	<u>Description</u>
1	859342	1	Tumbler Assembly Complete (includes illus. nos. 1 through 3)
2	882234	4	Perforated Tumbler Panel
3	150123	24	1/4-20 x 1/4" Socket Button Head Cap Screw



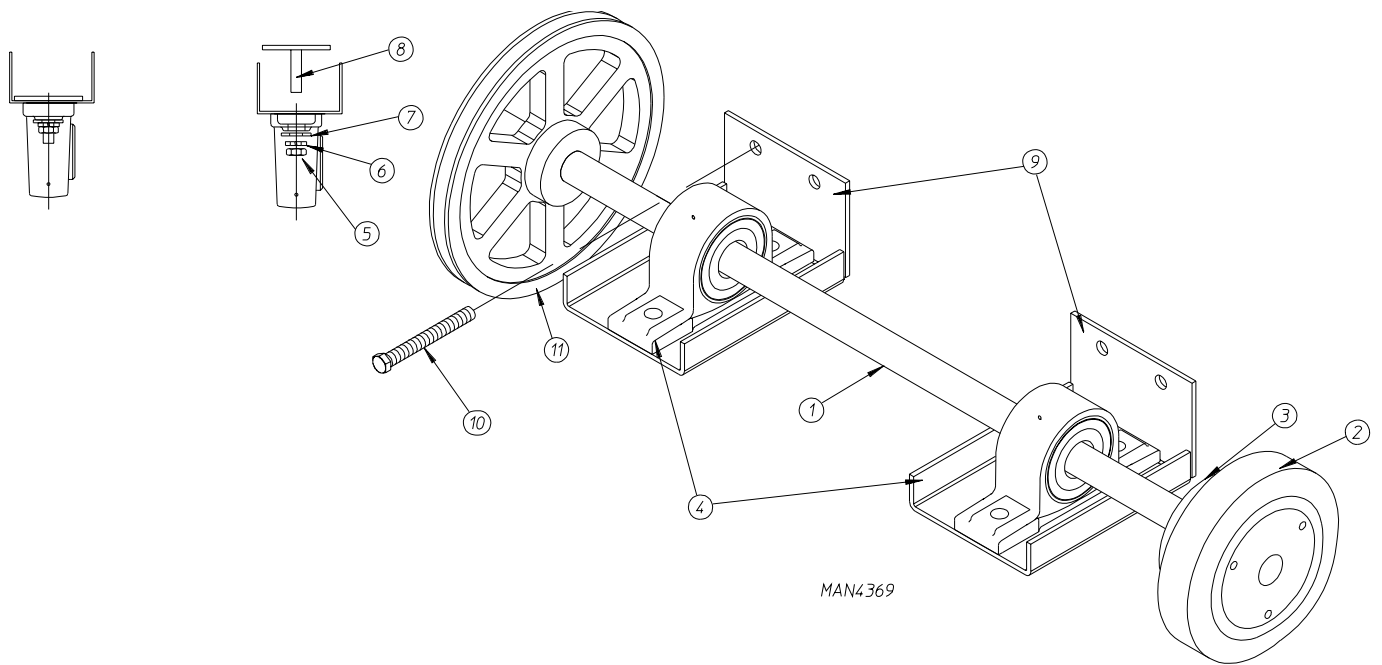
<u>Illus. No.</u>	<u>Part No.</u>	<u>Qty.</u>	<u>Description</u>
1	882244	1	1-3/4" Flanged Bearing (includes illus. nos. 1 and 5)
2	153025	4	9/16" Lock Washer
3	152050	4	9/16-12 Hex Nut
4	100816	1	1-3/4" E-Clip Retaining Ring
5	102120	1	Rotational Sensor Magnet
6	882333	1	White Bearing / Rotational Sensor Cap
	882382	1	Cornflower Blue Bearing / Rotational Sensor Cap
	882330	1	Corvel Dry Blue Bearing / Rotational Sensor Cap
	882331	1	Coral Wrinkle Blue Bearing / Rotational Sensor Cap
	882332	1	Coral Blue Bearing / Rotational Sensor Cap
7	824807	1	Rotational Sensor ONLY

# Idler Shaft Assembly



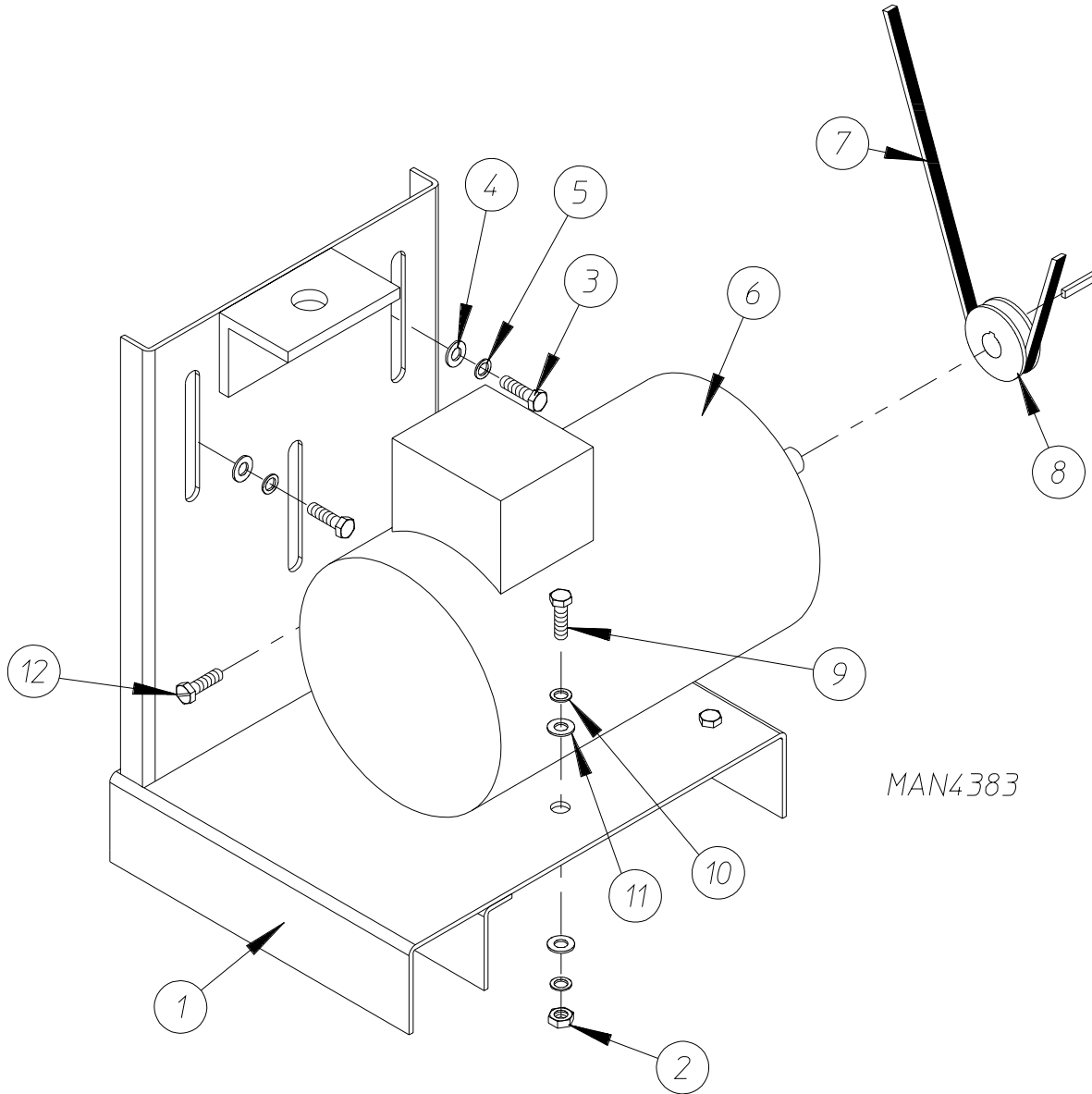
Illus. No.	Part No.	Qty.	Description
1	859328	1	Idler Shaft Assembly Complete (includes illus. nos. 1 through 10)
	390232	1	Idler Shaft ONLY
2	180033	2	6" Wheel
3	180038	2	1" Taper Lock Bushing
4	880205	2	1" Pillow Block Bearing
5	152004	4	5/16-18 Hex Nut
6	153002	4	5/16" Lock Washer
7	153001	4	5/16" Flat Washer
8	859008	2	Bearing Bolt Plate Assembly
9	859327	2	Bearing Pad
10	150509	4	5/16-18 x 3" Tap Bolt





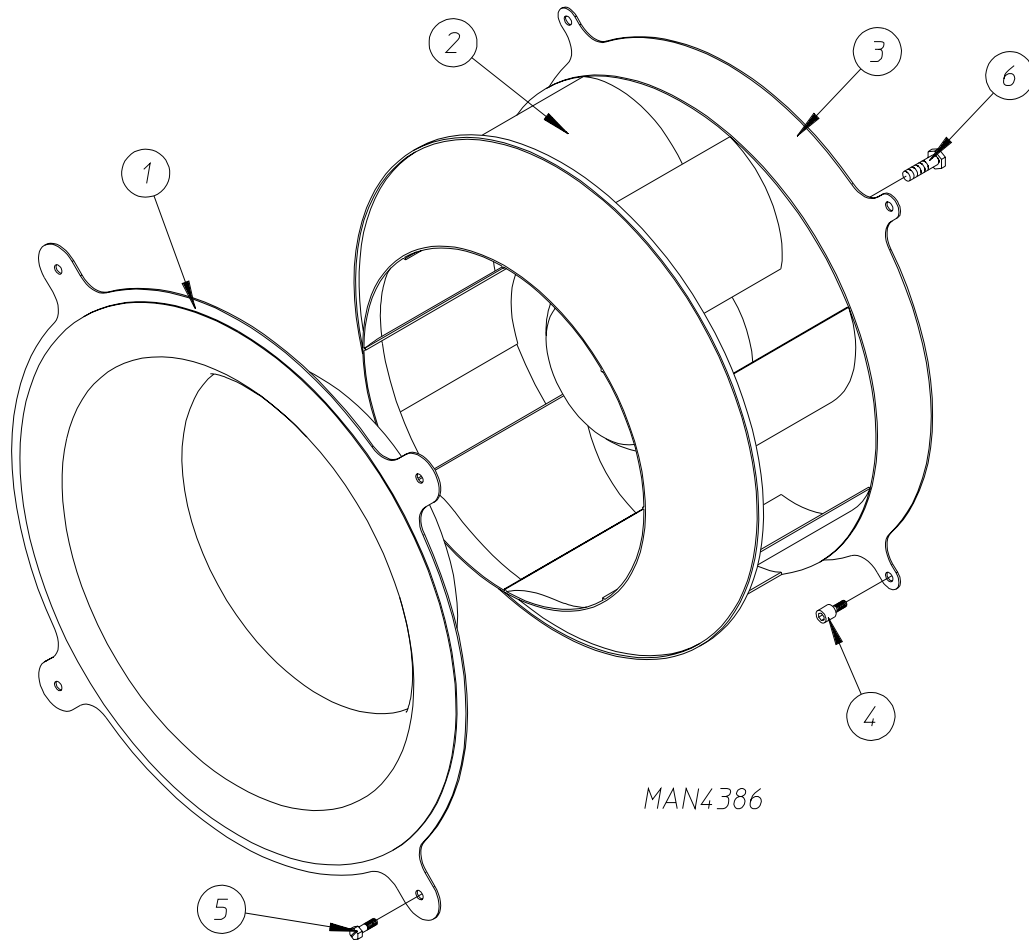
Illus. No.	Part No.	Qty.	Description
1	859329	1	Drive Shaft Assembly Complete (includes illus. nos. 1 through 11)
	390243	1	Drive Shaft ONLY
2	180033	2	6" Wheel
3	180038	2	1" Taper Lock Bushing
4	880205	2	1" Pillow Block Bearing
5	152004	4	5/16-18 Hex Nut
6	153002	4	5/16" Lock Washer
7	153001	4	5/16" Flat Washer
8	859008	2	Bearing Bolt Plate Assembly
9	859327	2	Bearing Pad
10	150509	4	5/16-18 x 3" Tap Bolt
11	101209	1	9" Pulley

# Drive Motor Assembly



Illus. No.	Part No.	Qty.	Description
1	882245	1	Motor Mount Assembly Complete (includes illus. nos. 1, 2, 6, and 9 through 11)
	882237	1	Motor Mount ONLY
2	152004	4	5/16-18 Hex Nut
3	150501	3	5/16-18 x 3/4" Tap Bolt
4	153001	3	5/16" Flat Washer
5	153002	3	5/16" Lock Washer
6	181106	1	1/2 hp 208-480v 3 $\phi$ 50/60 Hz Motor
7	100174	1	AX-53 Cogged V-Belt
8	101132	1	5/8" x 2" Motor Pulley
9	150501	4	5/16-18 x 3/4" Tap Bolt
10	153002	8	5/16" Lock Washer
11	153001	8	5/16" Flat Washer
12	150523	1	1/4-20 x 3/4" Hex Washer Machine Bolt

# Motorized Impellor (Fan) Assembly



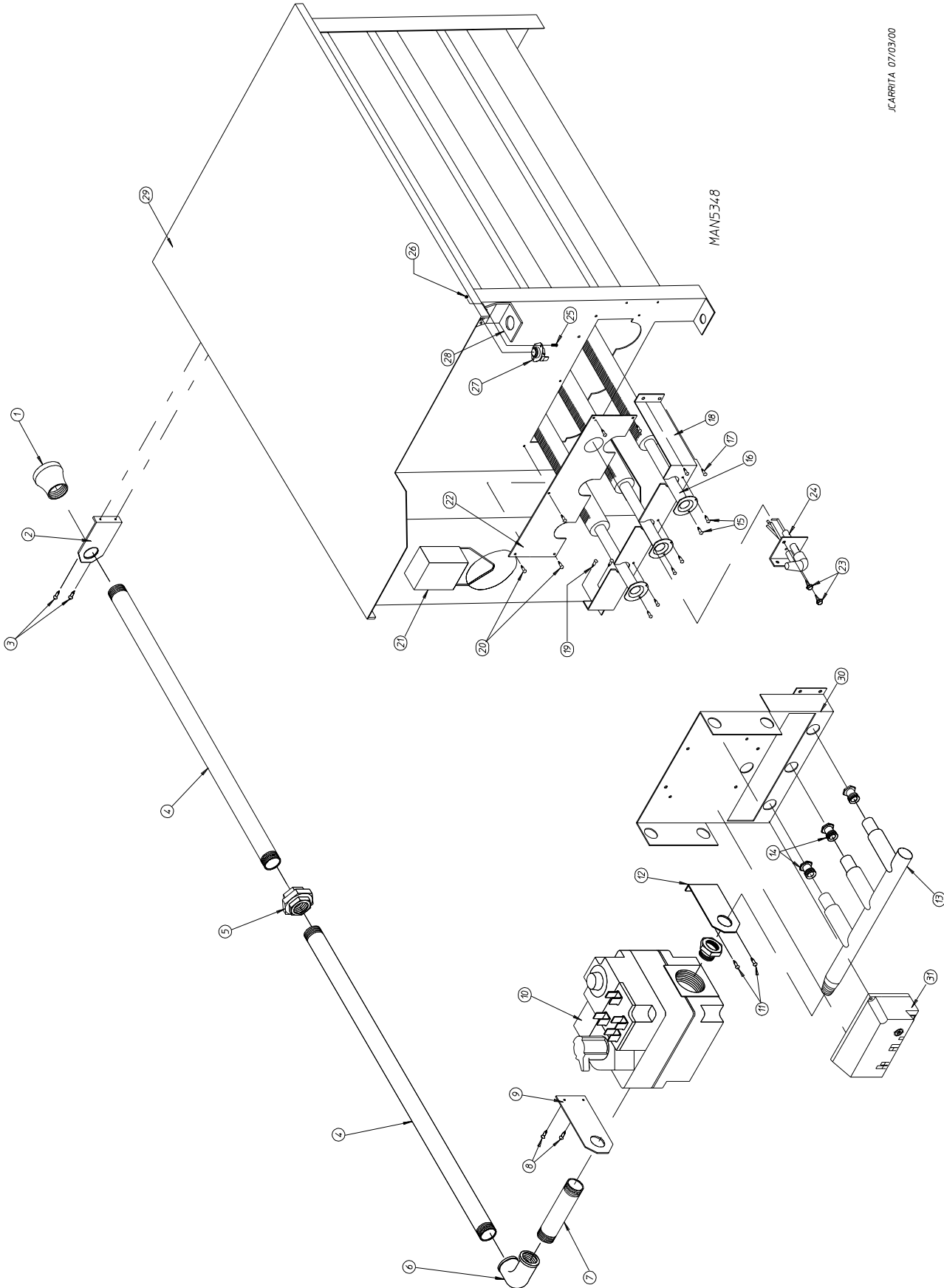
MAN4386

Illus. No.	Part No.	Qty.	Description
1	882319	1	White Coop Cone
	882380	1	Cornflower Blue Coop Cone
	882324	1	Corvel Dry Blue Coop Cone
	882328	1	Coral Wrinkle Blue Coop Cone
	882329	1	Coral Blue Coop Cone
2	100617	1	Motorized Impellor (fan) – 208 Volt 60 Hz ONLY
	100622	1	Motorized Impellor (fan) – 230 Volt 60 Hz ONLY
	100619	1	Motorized Impellor (fan) – 230/400 Volt 50 Hz ONLY
			Motorized Impellor (fan) – 460/480 Volt 60 Hz ONLY
	887140	1	Motorized Impellor (fan) Assembly Complete – 208 Volt 60 Hz (includes illus. nos. 1, 2, 3, and 6)
	887228	1	Motorized Impellor (fan) Assembly Complete – 230 Volt 60 Hz (includes illus. nos. 1, 2, 3, and 6)
	887230	1	Motorized Impellor (fan) Assembly Complete – 460/480 Volt 60 Hz (includes illus. nos. 1, 2, 3, and 6)
3	882323	1	White Motor Plate
	882379	1	Cornflower Blue Motor Plate
	882325	1	Corvel Dry Blue Motor Plate
	882326	1	Coral Wrinkle Blue Motor Plate
	882327	1	Coral Blue Motor Plate
4	150511	4	1/4-20 x 1" Hex Head Machine Bolt
5	150512	4	1/4-20 x 1/2" Hex Head Machine Bolt
6	154335	8	M10 x 15 Metric Bolt

# Direct Spark Ignition Burner Assembly

JCARRITA 07/03/00

MAN5348

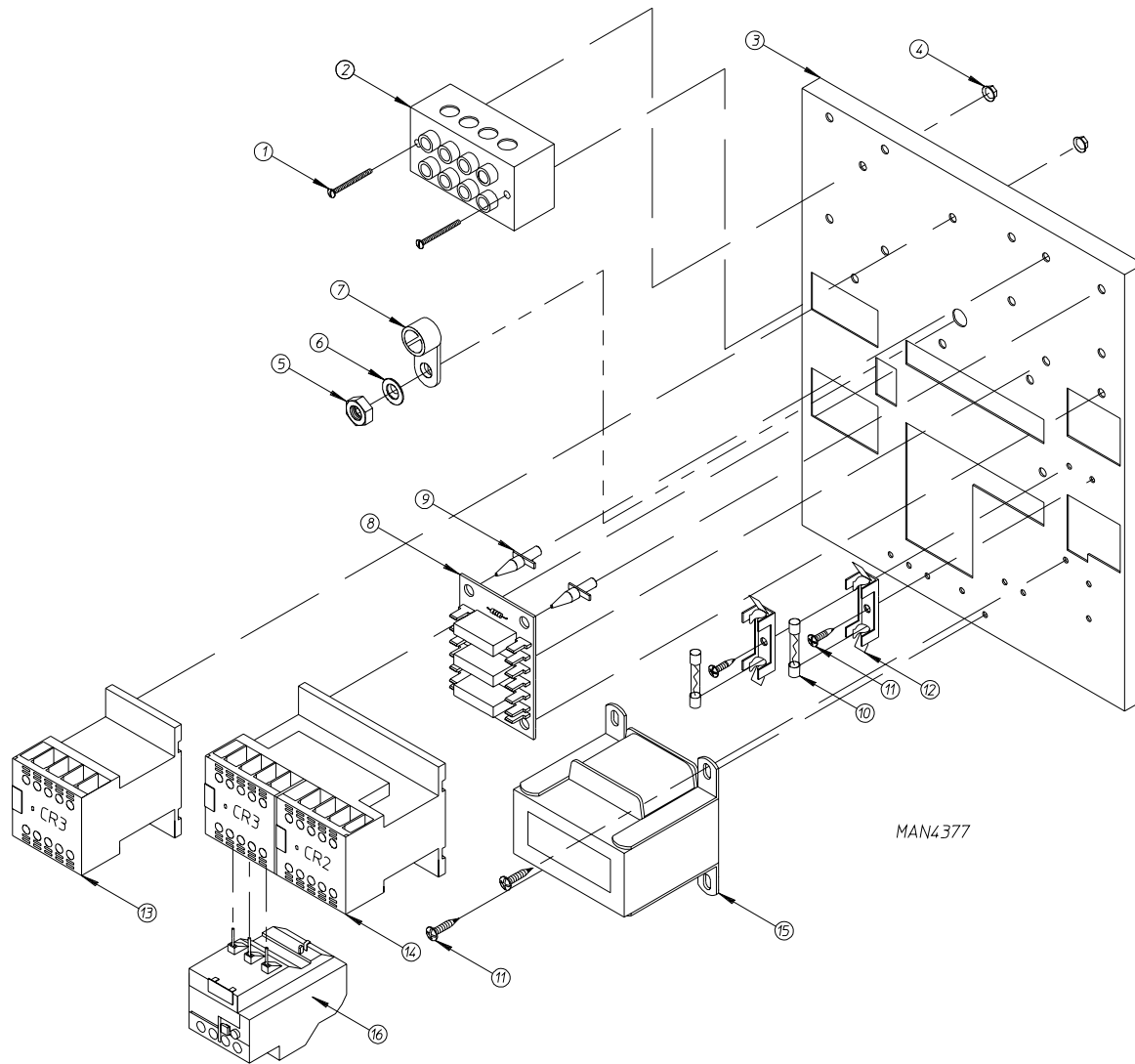


## Direct Spark Ignition Burner Assembly

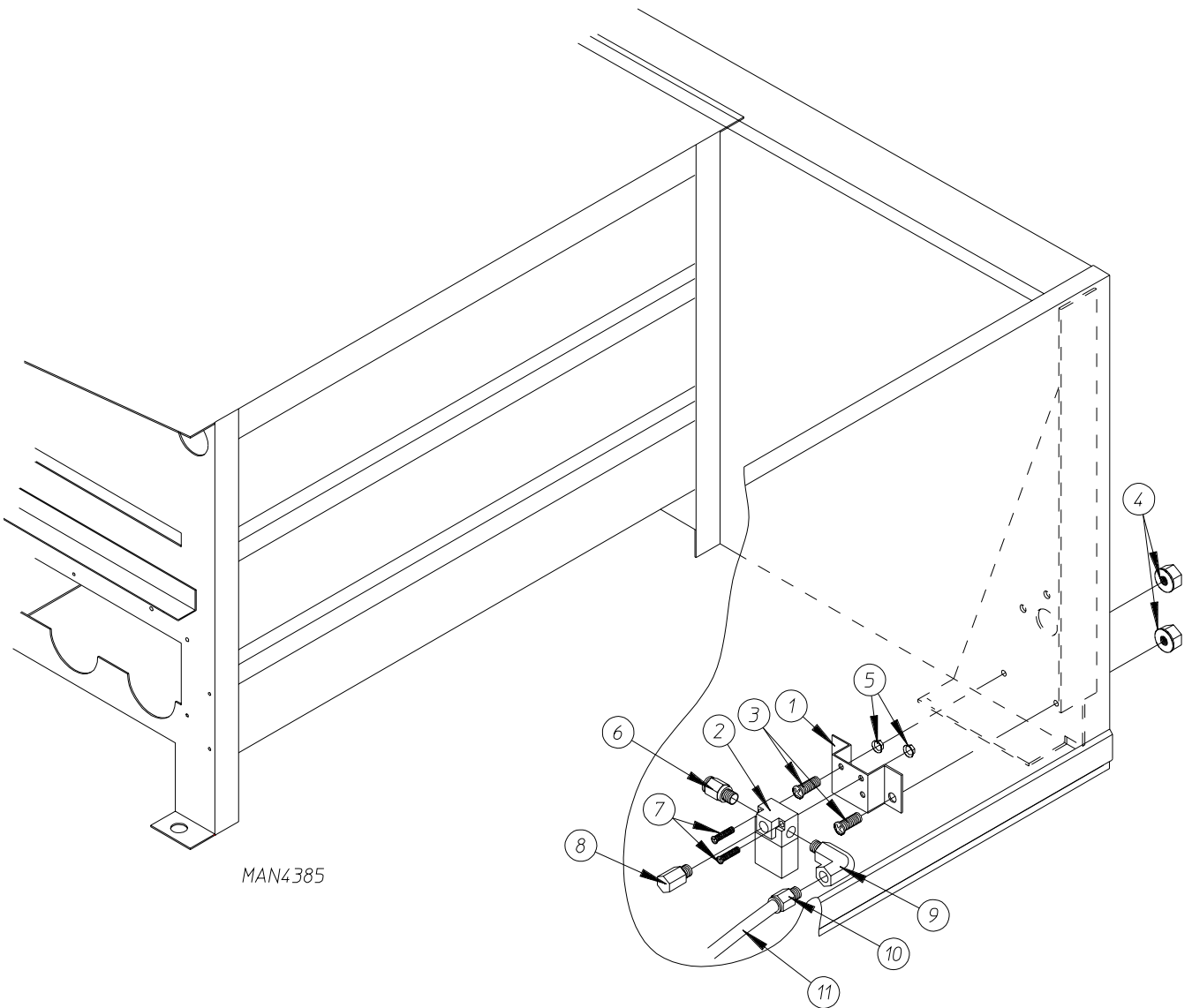
<u>Illus. No.</u>	<u>Part No.</u>	<u>Qty.</u>	<u>Description</u>
1	142924	1	1" to 3/4" Reducing Coupling
2	331291	1	Gas Valve Pipe Bracket
3	150309	2	#10-16 x 1/2" Hex Head TEK Crimptite Screw
4	142735	1	3/4" x 14" Bi Nipple
5	142601	1	3/4" Union
6	142504	1	3/4" x 90° Elbow
7	142734	1	3/4" x 5-1/2" Nipple
8	150309	2	#10-16 x 1/2" Hex Head TEK Crimptite Screw
9	390125	1	Gas Valve Flat Pipe Bracket
10	887159	1	3/4" 24 VAC Redundant (natural gas) Gas Valve
	887155	1	3/4" 24 VAC Redundant (liquid propane gas) Gas Valve
11	150309	2	#10-16 x 1/2" Hex Head TEK Crimptite Screw
12	331291	1	Gas Valve Pipe Bracket
13	141219	1	3-Port Manifold
14*	140836	3	#10 Burner Orifice (natural gas) ONLY
	140855	3	#33 Burner Orifice (liquid propane gas) ONLY
15	150309	2	#10-16 x 1/2" Hex Head TEK Crimptite Screw
16	882388	3	Gas Burner Tube
17	150309	2	#10-16 x 1/2" Hex Head TEK Crimptite Screw
18	390124	1	Burner Tube Support ONLY
19	150309	2	#10-16 x 1/2" Hex Head TEK Crimptite Screw
20	150309	6	#10-16 x 1/2" Hex Head TEK Crimptite Screw
21	821456	1	Sail Switch
			<b>(refer to Sail Switch Assembly on page 26)</b>
22	331289	1	Burner Box Cover Plate ONLY
23	150309	2	#10-16 x 1/2" Hex Head TEK Crimptite Screw
24	128914	1	Ignitor / Flame-Probe Assembly
25	150001	2	#6-32 x 1/2" Phillips Round Head Machine Screw
26	151000	2	#6-32 Pal Nut
27	130201	1	330° Manual Reset Hi-Limit ONLY
28	319703	1	Hi-Limit Bracket
29*	882677	1	Natural Gas Burner Assembly Complete for Models Mfd. with Natural Gas ONLY (includes illus. nos. 1 through 31)
	882678	1	Liquid Propane Gas Burner Assembly Complete for Models Mfd. with Liquid Propane Gas ONLY (includes illus. nos. 1 through 31)
	859374	1	Burner Box ONLY
30	335031	1	Ignition Module Mounting Bracket / Manifold Rest
31	883849	1	Direct Spark Ignition Module (Johnson Control)

\* Consult factory for elevations over 2,000 feet.

# Reversing Relay Panel Assembly



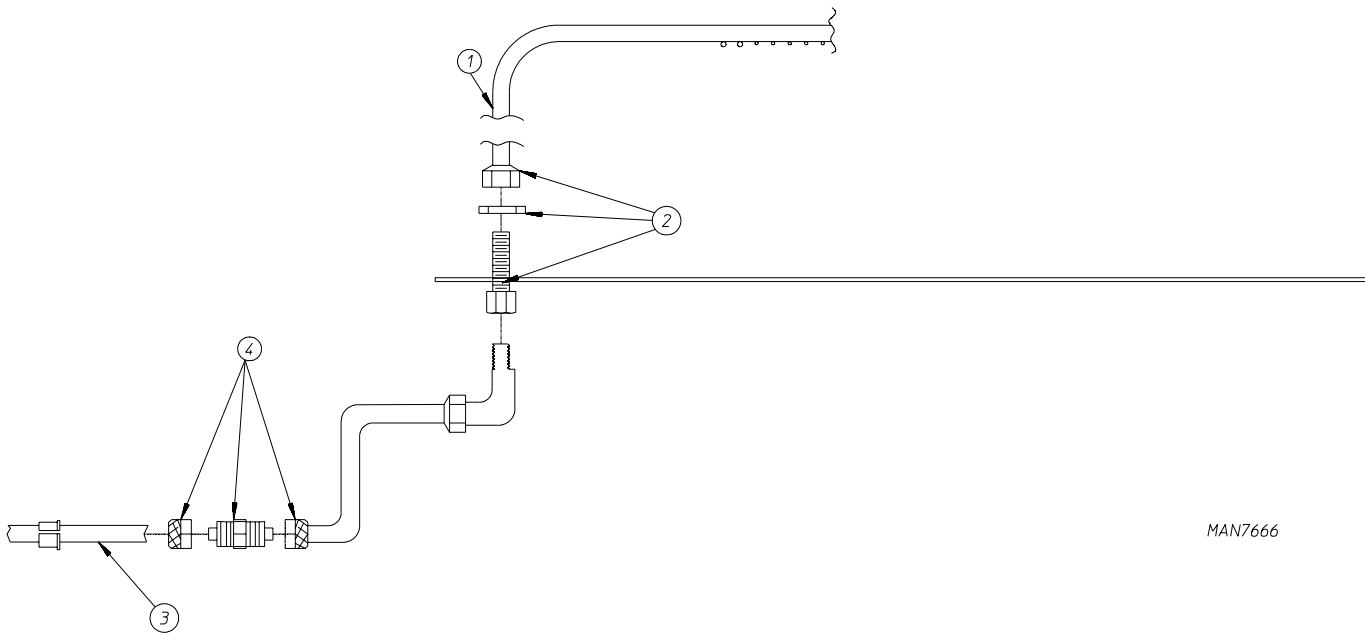
Illus. No.	Part No.	Qty.	Description
1	150008	2	#6-32 x 1-1/4" Phillips Round Head Machine Screw
2	120701	1	4-Position Terminal Block
3	859356	1	208 Volt Reversing Relay Panel Assembly Complete (includes illus. nos. 1 through 4 and 8 through 15)
	323743	1	Reversing Relay Panel ONLY
4	151000	1	#6-32 Pal Nut
5	152004	1	5/16-18 Hex Nut
6	153002	1	5/16" Lock Washer
7	121012	1	Ground Lug
8	137060	1	Arc Suppressor Board
9	137013	4	Nylon Standoff
10	136057	2	1/2-Amp (Slo-Blo) Fuse
11	150301	4	#8-18 x 7/16" Phillips Pan Head TEK Screw
12	136008	2	Fuse Holder ONLY
13	132455	1	1 hp 3ø Contactor
14	132497	1	Reversing Contactor
15	132070	1	208-240 Volt Transformer
	881763	1	Transformer Terminal Kit
16	132457	1	Drive Motor Overload (for 208 volt models Only)



Illus. No.	Part No.	Qty.	Description
1	330987	1	Micro Valve Bracket
2	883324	1	Air Jet Solenoid
3	150111	2	1/4-20 x 1/2" Phillips Round Head Machine Screw
4	152014	2	1/4-20 Free Spin Wash Nut
5	151000	2	#6-32 Pal Nut
6	100472	1	1/4" x 1/8" Male Connector
7	150002	2	#6-32 x 1" Phillips Round Head Machine Screw
8	100520	1	1/8" N.P.T. Silencer (muffler)
9	143268	1	1/8" x 90° Brass Straight Elbow
10	100472	1	1/4" x 1/8" Male Connector
11	143115	4	1/4" Poly-Flo Tubing (sold by the foot)

# Air Jet Assembly

For models mfd. as of April 9, 2004

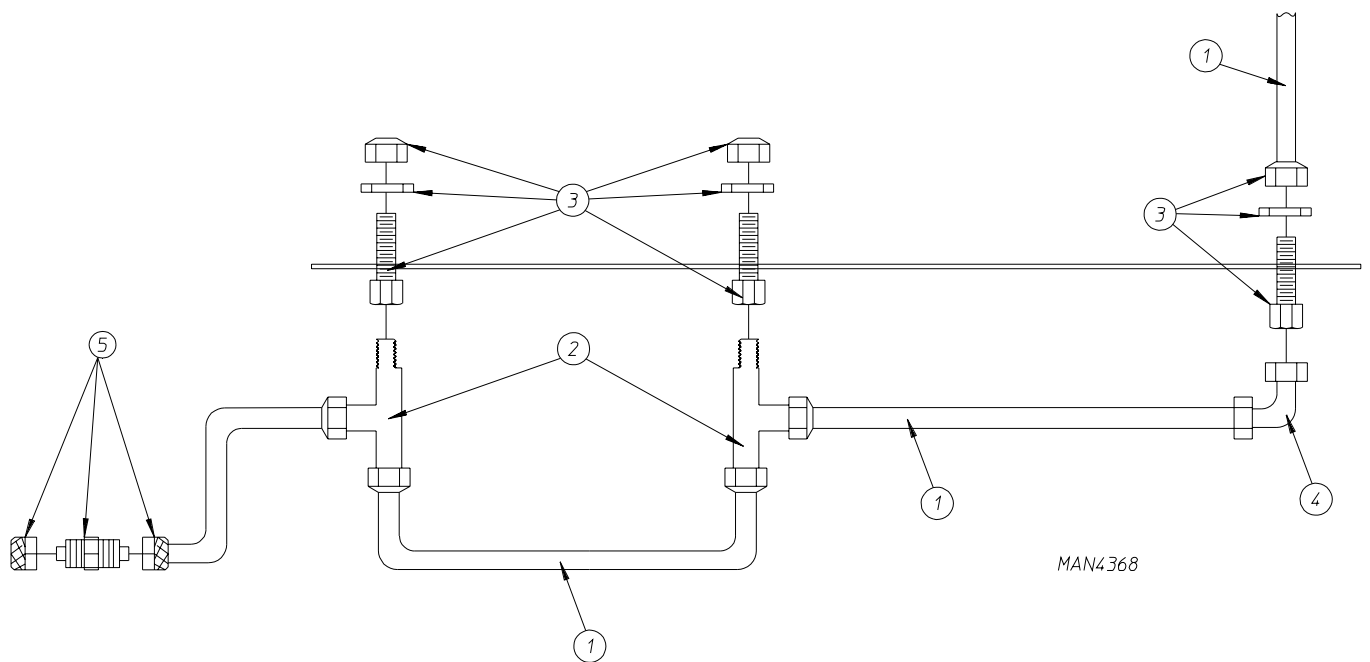


MAN7666

<u>Illus. No.</u>	<u>Part No.</u>	<u>Qty.</u>	<u>Description</u>
1	882157	6	1/4" Aluminum Tubing (sold by the foot)
2	143259	3	1/4" x 1/8" F.P.T. Bulkhead Fitting
3	143115	4	1/4" Poly-Flo Tubing (sold by the foot)
4	143154	1	1/4" Poly Union
	884202	1	Air-Jet II Field Kit ... Not Illustrated



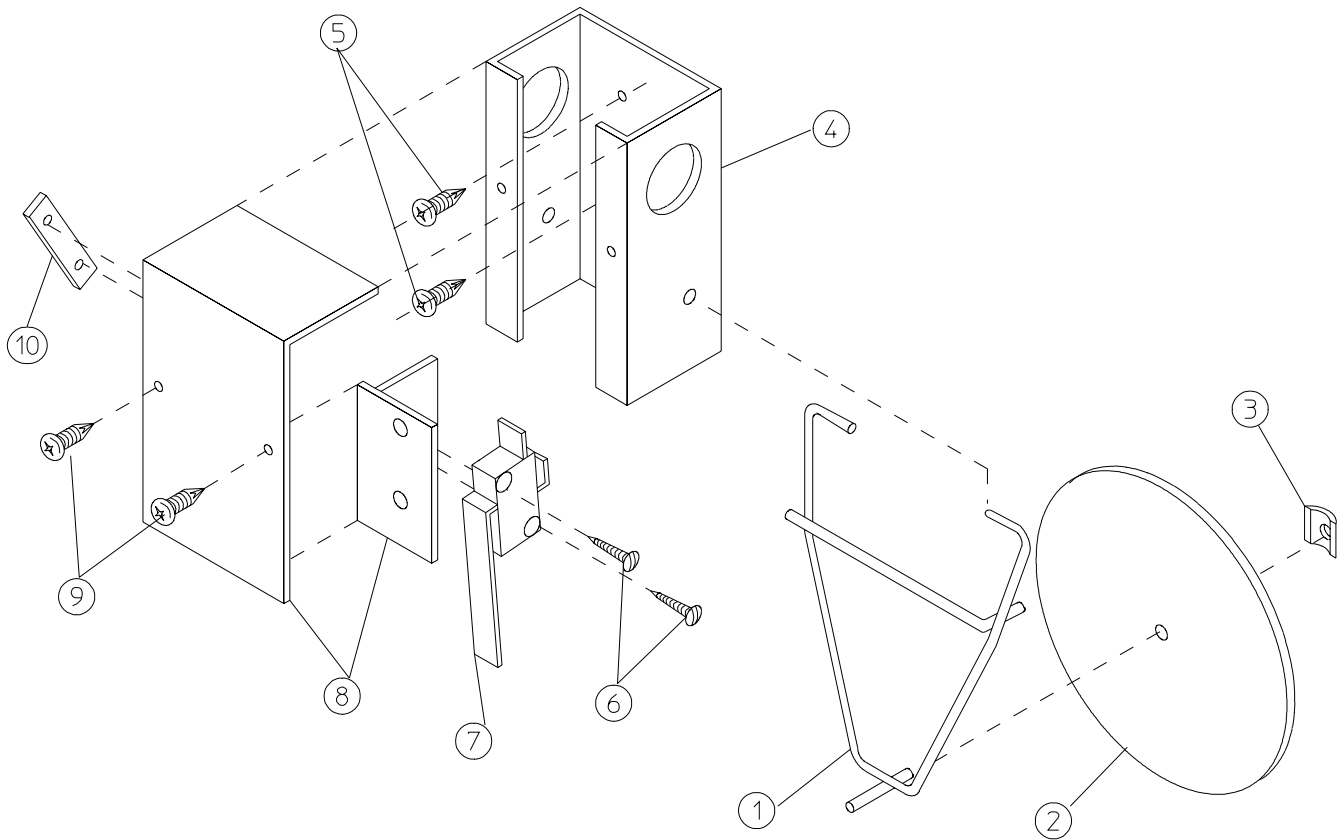
For models mfd. prior to April 9, 2004



MAN4368

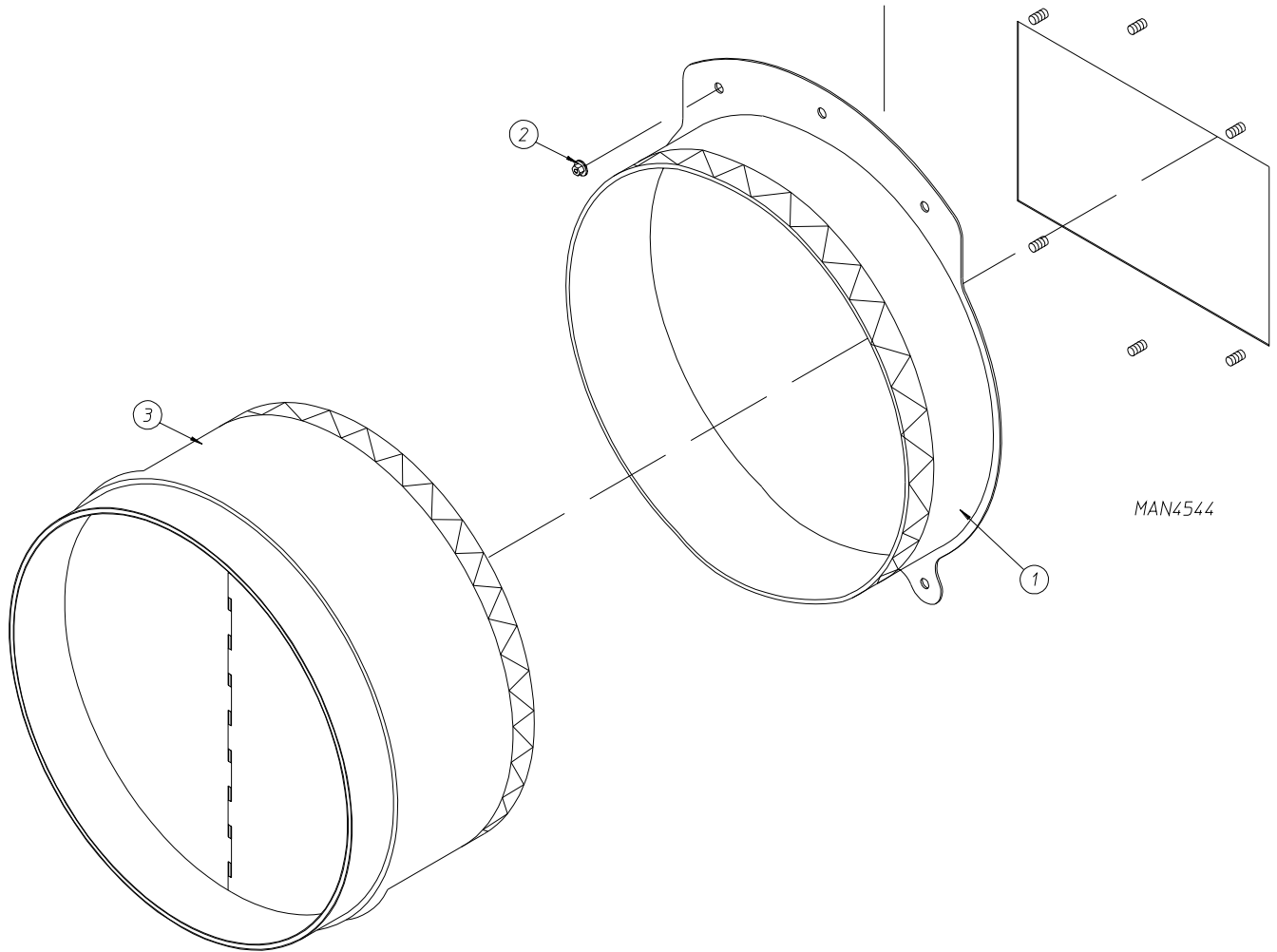
Illus. No.	Part No.	Qty.	Description
1	882157	6	1/4" Aluminum Tubing (sold by the foot)
2	143287	2	1/4" x 1/8" M.P.T. Male Run Tee
3	143259	3	1/4" x 1/8" F.P.T. Bulkhead Fitting
4	143115	4	1/4" Poly-Flo Tubing (sold by the foot)
5	143154	1	1/4" Poly Union

# Sail Switch Assembly



MAN0440

<u>Illus. No.</u>	<u>Part No.</u>	<u>Qty.</u>	<u>Description</u>
1	105500	1	Sail Switch Actuator Rod
2	319202	1	Sail Switch Damper (flat)
3	154002	1	1/8" Push-On Fastener
4	802800	1	Sail Switch Box with Cover and Bracket ONLY
	802801	1	Sail Switch Box Assembly Complete (includes illus. nos. 1 through 4 and 6 through 10)
5	150309	2	#10-16 x 1/2" Hex Head TEK Crimptite Screw
6	150303	2	#44 x 3/4" Pan Head "A" Machine Screw
7	122200	1	Sail Switch ONLY
8	802799	1	Sail Switch Box Cover and Bracket ONLY
9	150309	2	#10-16 x 1/2" Hex Head TEK Crimptite Screw
10	154004	1	Twin Speed Nut



<u>Illus. No.</u>	<u>Part No.</u>	<u>Qty.</u>	<u>Description</u>
1	882318	1	White Adapter Collar
	882381	1	Cornflower Blue Adapter Collar
	882320	1	Corvel Dry Blue Adapter Collar
	882321	1	Coral Wrinkle Blue Adapter Collar
	882322	1	Coral Blue Adapter Collar
2	152014	5	1/4-20 Free Spin Wash Nut
3	104006	1	16" Butterfly Damper Assembly

