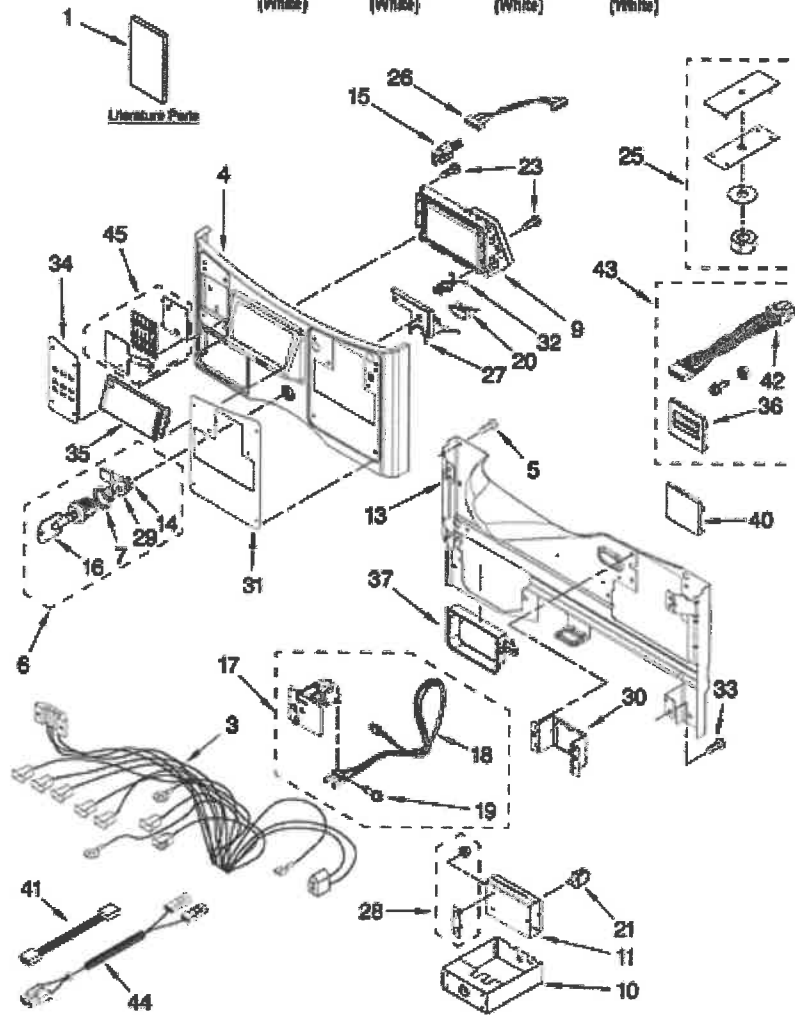


MLG20PDAWW0 - 01 - CONTROL PANEL PARTS

CONTROL PANEL PARTS

For Models: MLE20PDAZWS, MLG20PDAWW0, MLG20PRAWW0, MLE20PRAZWS
(White) (White) (White) (White)



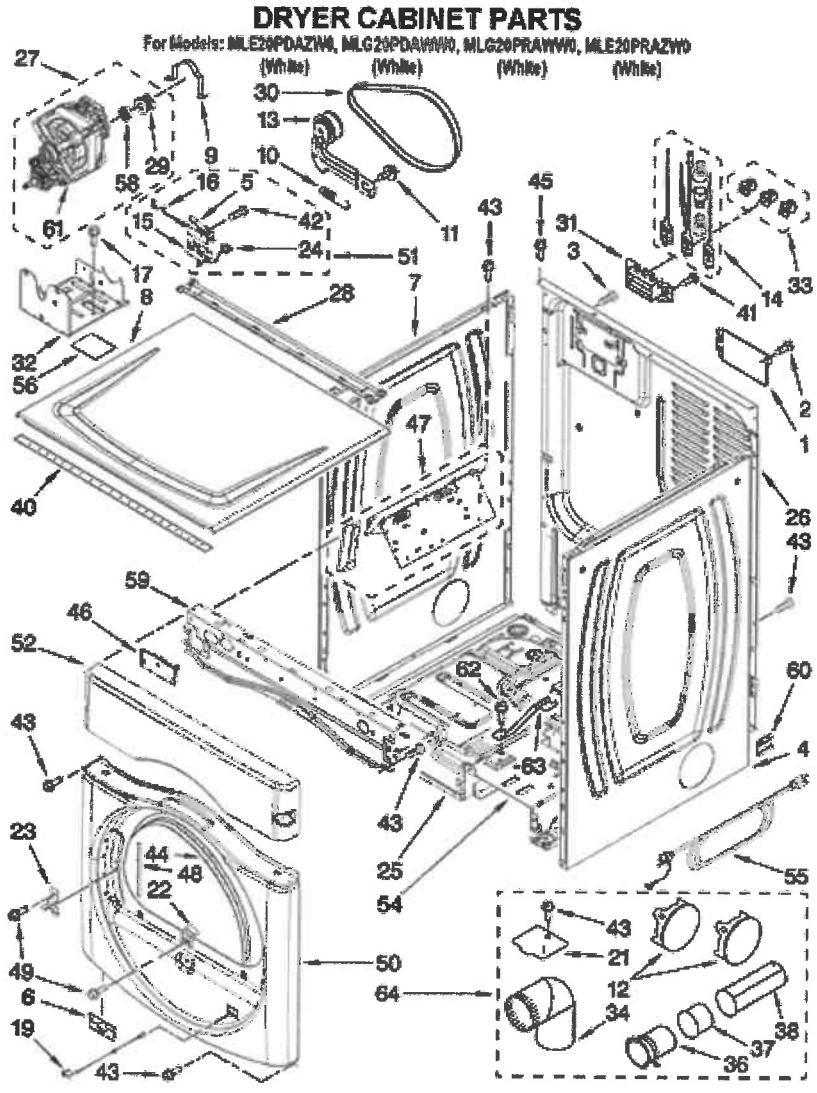
FOR ORDERING INFORMATION REFER TO PARTS PRICE LIST

VN10372247

Ref #	Part #	Description	Qty	Context	Note	Foot	Note	MSRP
1	W10045641	INSTALLATION INSTRUCTION						0.00
1	W10434041	INSTALLATION INSTRUCTION						0.00
1	W10335471	TECH SHEET						0.00
1	W10372247	PARTS LIST						0.00
3	W10242901	HARNESS, MAIN						102.20
3	W10242899	HARNESS, MAIN						62.64
4	W10198200	PANEL ASSEMBLY (PD)						167.84
4	W10198201	PANEL ASSEMBLY (PR)						167.84
5	3390647	SCREW,8-18 X 1/2						4.33
6	W10133264	SERVICE & PROGRAMMING LOCK						51.80
7	W10139762	HEX NUT, 27-3/4						7.99
9	W10198219	TECHBOX ASSEMBLY (PD)						346.32
9	W10198220	TECHBOX ASSEMBLY (PR)						242.02
10	W10133248	COIN BOX						69.75
11	W10133258	VAULT BODY, ASSEMBLY						180.45
13	W10198321	CONSOLE BRACKET						83.92
14	W10177242	HEX NUT, 28-9/32						29.97
15	W10133282	SERVICE/VAULT, SWITCH JUMPER						8.03
16	W10140858	KEY, ACCESS DOOR						9.99
17	W10133245	COIN DROP ASSY. (DUAL COIN DROP, ASSEMBLY)						190.67
17	W10133242	COIN DROP ASSY. (SINGLE COIN DROP, ASSEMBLY)						121.08
18	W10247389	COIN SENSOR ASSY, COIN 1 (WHITE)						50.99
18	W10247388	COIN SENSOR ASSY, COIN 2 (BLACK)						55.41
19	W10142655	Screw, 6-20 X 1.00						4.33
20	W10133280	SERVICE ACCESS, SWITCH						23.88
21	W10131838	SWITCH-VAULT SERVICE DOOR						12.83
23	W10192860	SCREW, 6-19 X 1/2						4.33
25	W10169579	KIT-COIN BOX, SECURITY (TO BE SERVICED AS A KIT)						44.10
26	W10242897	HARNESS, WIRE DRYER CCU TO UIC						91.22
27	W10198375	SUPPORT-CONSOLE						11.14
28	W10159907	MOUNTING STRAP, WELD ASSEMBLY						28.34
29	W10133266	CAM-LOCK						4.20
30	W10198322	BRACKET-PD						38.65
30	W10198323	BRACKET (PR)						13.56
31	W10198334	FASCIA						47.43
31	W10198336	FASCIA						111.91
32	8019P013-60	CLIP, NYLON						11.33

Ref #	Part #	Description	Qty	Context	Note	Foot Note	MSRP
33	W10386302	SCREW, 8-18 X 1/2					4.33
34	W10198284	FASCIA-BUTTONS					72.90
35	W10198390	WINDOW-DISPLAY					29.92
36	W10198367	BEZEL-PR					16.39
37	W10198345	COLLAR, DISPENSER					19.51
40	W10198366	COVER PD/PN					29.13
41	W10342214	CABLE SET, UI TO CCU COMMUNICATION					29.12
42	W10239515	CARD READER, HARNESS					61.78
43	W10198451	CARD READER, CONVERSION KIT					29.18
44	W10300896	WIRE HARNESS, VAULT SWITCH					61.54
45	W10198198	BUTTON SET, ASSEMBLY					81.01

MLG20PDAWW0 - 02 - DRYER CABINET PARTS



FOR ORDERING INFORMATION REFER TO PARTS PRICE LIST

W10372247

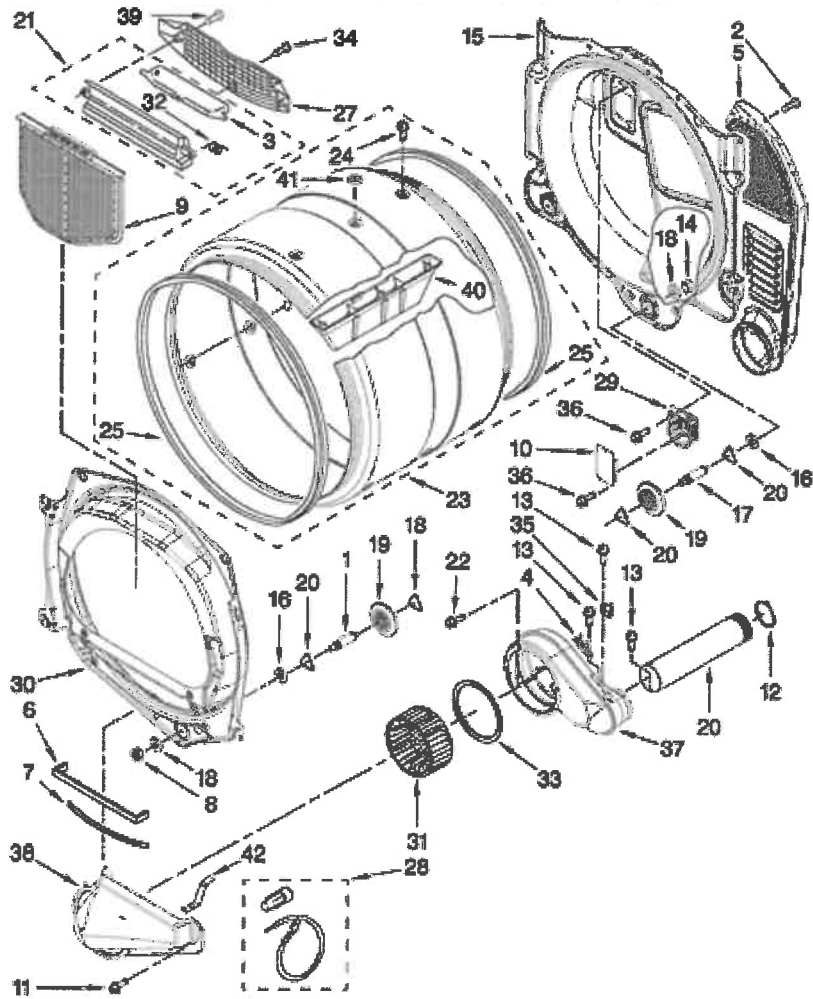
Ref #	Part #	Description	Qty	Context	Note	Foot Note	MSRP
1	W10286180	COVER, TERMINAL BLOCK					49.52
2	3390814	Screw, 8-18 x 3/8					4.33
3	8533974	SCREW GROUND					4.33
4	8565048	Panel, Side (R.H.)					134.27
5	8564010	Switch, Broken Belt					36.61
6	8519459	Clip, Toe Panel					11.79
7	8565054	Panel, Side (L.H.)					134.27
8	8563730	TOP					114.58
9	660658	Clamp, Motor					4.33
10	3387374	Spring, Idler					14.79
11	3389420	Retainer, Idler					4.33
12	697750	Plug, Multivent					59.99
13	W10344192	IDLER ASSEMBLY					33.58
14	279318	TERMINAL, BRASS & TINNED (3) (INCLUDES ITEM. 33)					42.21
15	8564011	Bracket, Switch					10.84
16	W10167613	Wire, Belt Switch					11.40
17	343641	Screw, 8-18 x 1/2					4.33
19	W10128087	Assembly, Door Switch					36.01
21	8066115	COVER PLATE					4.33
22	8580015	RAMP, DOOR					33.63
23	8565122	STRIKE, DOOR					4.33
24	8539892	WIRE-MOTOR TO-BELT-SWITCH					11.40
25	8565046	BASE, CABINET (PR (CARD READER))					126.78
25	W10198309	BASE, CABINET (PD (COIN DROP))					79.10
26	8565059	Panel, Rear					124.81
27	W10139766	MOTOR ASSEMBLY 60 HZ.					177.80
28	W10266747	DRYER-WATER, CHANNEL					30.13
29	3394341	PULLEY					35.92
30	W10131172	Belt, Drive					28.66
31	3397659	Block, Terminal					12.89
32	W10135695	Bracket, Motor					56.87
33	279393	TERMINAL BLOCK SCREW KIT (FOR TERMINAL BLOCK)					27.60
34	49026	4" - 90° ELBOW					7.49
36	8563747	Exhaust Pipe & Bracket					35.72
37	8563750	Exhaust Pipe (Short)					30.78
38	8563749	Exhaust Pipe (Long)					34.57
40	8318396	SEAL, FOAM-IEC					21.25
41	8533971	Screw, 8-18 x 5/16					4.33
42	W10002600	Screw, 6-20 x 1.00					5.25
43	3390647	SCREW,8-18 X 1/2					4.33
44	3387242	Seal, Front Panel					15.64

Ref #	Part #	Description	Qty	Context	Note	Foot Note	MSRP
45	3393008	Screw, 10-16 X 1/2					4.33
46	W10376685	CONTROL BOARD					259.60
47	8563727	Control Bracket					66.50
48	8565043	Plug, Strip Front Panel					37.16
49	3357011	Screw, 10-16 x 1/2					4.33
50	W10117421	Front Panel (Includes Illus. 44)					107.08
51	W10155571	SWITCH, ASSEMBLY					14.25
52	W10198215	ENCLOSURE, CCU ASSEMBLY					44.01
54	W10133261	VAULT SWITCH, BRACKET					29.12
55	3401401	Power Cord					48.01
56	W10212660	Sound Pad, Motor					12.59
58	3393657	BELT RESTRAINER					50.31
59	8565237	Bracket, Console					70.40
60	W10198377	BRACKET-STACK					29.11
61	3405160	BELT, POLY V					18.53
62	693995	SCREW,8-18 X 3/8					4.33
63	W10198376	BRACKET, BURNER					38.97
NI	279818	DRYER EXHAUST KIT (FOR SIDE & BOTTOM VENTING) (WHITE)					59.99

MLG20PDAWW0 - 03 - BULKHEAD AND BLOWER PARTS

BULKHEAD AND BLOWER PARTS

For Models: MLE20PDAZW0, MLG20PDAWW0, MLG20PRAWW0, MLE20PRAZW0
(White) (White) (White) (White)

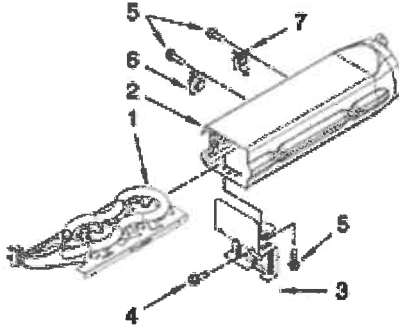


FOR ORDERING INFORMATION REFER TO PARTS PRICE LIST

Ref #	Part #	Description	Qty	Context	Note	Foot Note	MSRP
1	W10359271	SHAFT, R.H. THREAD					34.24
2	3390647	SCREW,8-18 X 1/2					4.33
3	W10153413	Door, Lint Screen					29.76
4	3392519	THERMAL FUSE (91° C)					14.95
5	697354	AIR DUCT ASSEMBLY (PD)					116.43
5	3394346	AIR DUCT ASSEMBLY (PR)					68.59
6	697813	FOAM-SEAL					4.33
7	697814	Seal, Drum Front					4.33
8	3934666	NUT,3/8 X 16(R.H.)					4.33
9	W10049370	Lint Screen					50.18
10	3402841	Lens, Drum Light					17.61
11	359625	Screw, 8-18 x 1/2					4.33
12	W10344699	COLLAR-DUCT					30.75
13	8533971	Screw, 8-18 x 5/16					4.33
14	W10001120	Nut, 3/8-16 (L.H.)					4.33
15	W10080170	Bulkhead, Rear					135.06
16	3387459	Washer, Support					7.99
17	W10359272	SHAFT, L.H. THREAD					33.76
18	690997	Ring, Tri					6.46
19	W10314171	ROLLER, SUPPORT					16.10
20	8563728	Exhaust Pipe					54.26
21	W10153423	Housing, Outlet Assembly					32.09
22	489463	Screw, 8-18 x 5/8					4.33
23	W10153420	Complete Drum Assembly					185.65
24	W10219342	SCREW, 8-16 X 3/4					4.33
25	W10166807	Seal, Drum					42.61
27	W10153412	Grille, Outlet					18.00
28	279457	Terminal Wire Kit (For Heater Element Wiring Harness Repair)					5.29
29	W10410531	BRACKET, DRUM LIGHT					22.39
30	8565061	Bulkhead, Front					88.40
31	W10349492	WHEEL, BLOWER					57.70
32	3394986	Spring, Lint Screen Door					31.08
33	697770	FOAM-SEAL					4.33
34	695240	Screw, 8-18 x 1/2					4.33
35	8577274	THERMISTOR					31.18
36	487909	Screw, 8-15 x 1/2					4.33
37	8544362	Housing, Blower					37.78
38	8066168	Lint Duct Assembly					76.17
39	3387230	Screw, 10-16 x 1					4.33
40	W10153409	Baffle, Drum					52.81
41	W10128544	DRUM CAPLUG					11.43
42	W10345456	CLIP-SPRING					4.33

MLG20PDAWW0 - 04 - DRYER HEATING PARTS - ELECTRIC

DRYER HEATING PARTS - ELECTRIC
For Models: MLE20PDAZW0, MLG20PDAWW0, MLG20PRAWW0, MLE20PRAZW0
(White) (White) (White) (White)



W10372247

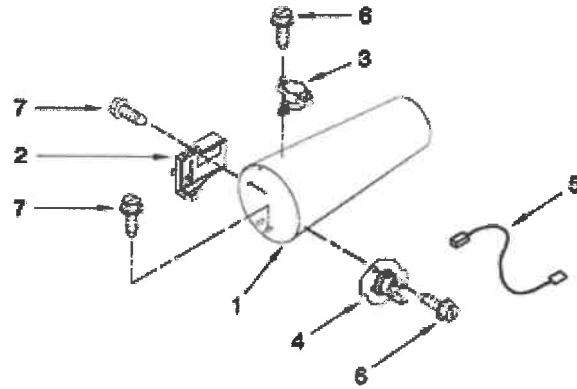
FOR ORDERING INFORMATION REFER TO PARTS PRICE LIST
8

Ref #	Part #	Description	Qty	Context Note	Foot Note	MSRP
1	3387748	Heater Element				152.80
2	3392537	HEATER BOX,				71.08
3	8066099	BRACKET, HEATER BOX (PR)				13.18
3	W10198340	BRACKET, HEATER BOX (PD)				29.09
4	693995	SCREW,8-18 X 3/8				4.33
5	90767	SCREW,8-18 X 3/8				4.33
6	3391914	Thermostat, High-Limit 295/215-Nc				76.41
7	8318314	THERMAL CUT-OFF (INCLUDES ITEM 6)				45.75

MLG20PDAWW0 - 05 - DRYER HEATING PARTS - GAS

DRYER HEATING PARTS - GAS

For Models: MLE20PDAZW0, MLG20PDAYW0, MLG20PRAWW0, MLE20PRAZW0
(White) (White) (White) (White)



FOR ORDERING INFORMATION REFER TO PARTS PRICE LIST

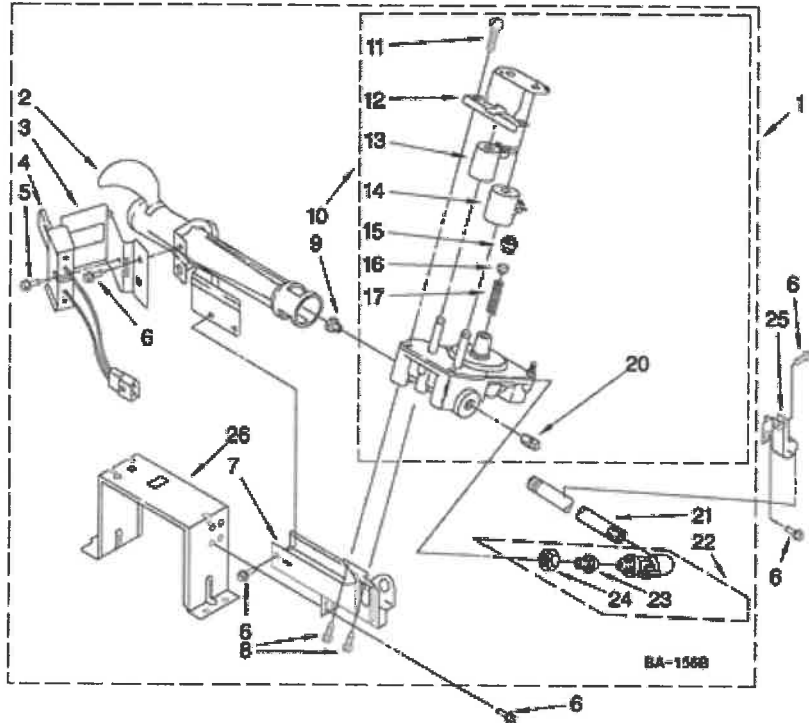
Ref #	Part #	Description	Qty	Context	Note	Foot Note	MSRP
1	8573824	FUNNEL-BURNER					67.83
2	338906	RADIANT SENSOR					39.36
3	3391912	THERMOSTAT, HIGH LIMIT					52.01
4	8573713	THERMAL CUT-OFF (INCLUDES ITEM No.3)					35.14
5	3401707	JUMPER TCO, HIGH LIMIT					34.47
6	90767	SCREW,8-18 X 3/8					4.33
7	3390647	SCREW,8-18 X 1/2					4.33

MLG20PDAWW0 - 06 - W10135231 BURNER ASSEMBLY

W10135231 BURNER ASSEMBLY

For Models: MLE20PDAZW0, MLG20PDAWW0, MLG20PRAWW0, MLE20PRAZW0
(White) (White) (White) (White)

USE WITH TYPE 1 - NATURAL, TYPE 2 - MIXED,
AND TYPE 4 - LIQUEFIED PROPANE AND BUTANE GASES



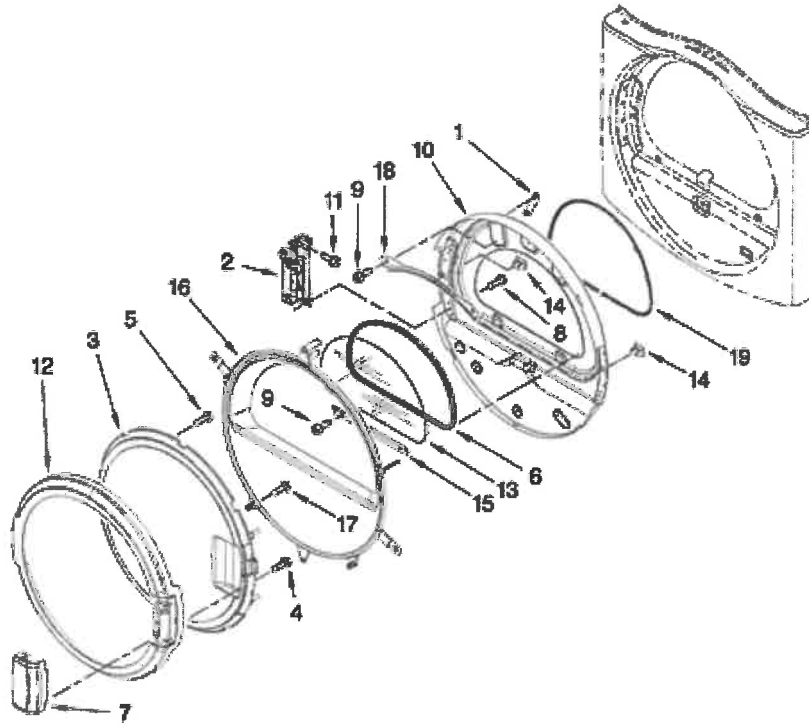
FOR ORDERING INFORMATION REFER TO PARTS PRICE LIST

Ref #	Part #	Description	Qty	Context	Note	Foot	Note	MSRP
1	W10135231	Burner Assembly 60 Hz. (Type 1, 2 & 3) (White Rodgers)						206.81
2	688617	Tube, Burner						72.65
3	694298	Bracket, Ignitor						14.21
4	686590	Ignitor						41.18
5	3393909	Screw & Washer (8-32 x 5/8)						4.33
6	343641	Screw, 10-16 x 1/2						4.33
7	3389871	Base, Burner						30.53
8	3387057	SCREW, 10-16 X 1/2						4.33
9	234870	Orifice, Burner (Type 1)						20.62
9	234868	Orifice, Burner (Type 2)						20.61
10	W10141728	VALVE, GAS (60 HZ – COMPLETE)						206.73
11	694421	SCREW, 8-32 X 1/2						7.30
12	694538	Bracket, Coil						30.11
13	694540	Coil, 60 Hz. (2 Terminal) (Main)						21.80
14	694539	COIL, 60 HZ (SPLIT) (3 TERMINAL) (PILOT POSITION)						21.80
15	694424	Leak, Limiter						21.54
16	694423	Screw, Regulator Adjustment						4.33
17	694422	Spring, Regulator						15.12
20	239822	Plug, Pipe						14.00
21	W10110395	Pipe, Gas Supply						30.76
22	697441	Valve & Union Shut-Off						203.17
23	3393767	Pipe, Tail						53.23
24	233076	Nut, Compression						22.01
25	3387561	Clamp, Pipe						12.59
26	3389889	Bracket, Support						37.16
NI	W10436933	CONVERSION KIT (TYPE 1 AND 2) TO TYPE (4) L.P.G.						20.49

MLG20PDAWW0 - 07 - DRYER DOOR PARTS

DRYER DOOR PARTS

For Models: MLE20PDAZW0, MLG20PDAWW0, MLG20PRAWW0, MLE20PRAZW0
(White) (White) (White) (White)

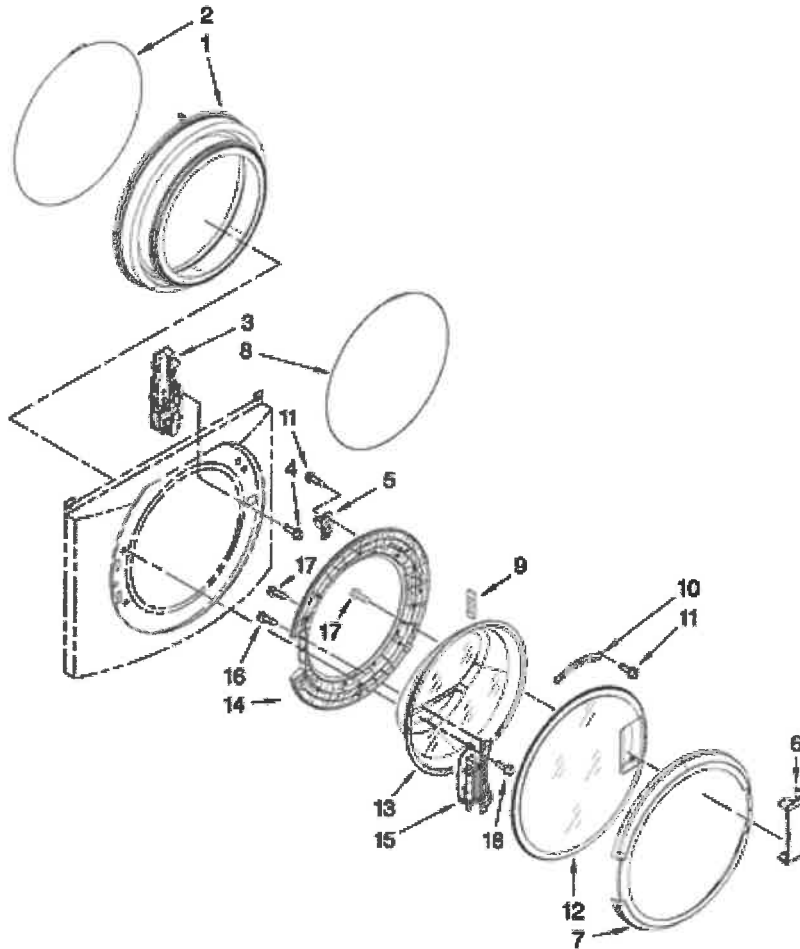


Ref #	Part #	Description	Qty	Context Note	Foot Note	MSRP
1	8565119	HINGE HOLE COVER (INNER DOOR)				37.58
2	W10198424	DOOR HINGE ASSEMBLY				61.46
3	W10137467	Assembly, Door Intermediate				129.99
4	9742177	Screw, 8-18 x 5/8				4.33
5	3400618	Screw, 6-32 x 3/8				25.98
6	8579663	Seal, Window				48.36
7	W10112976	HANDLE, DOOR				15.47
8	W10159996	Screw, 10-24 x 3/64				4.33
9	3393258	Screw				4.33
10	W10164062	DOOR ASSEMBLY (INNER) (INCLUDES ILLUS. 1,14 & 19)				141.20
11	355515	Screw, 8-18 x 11/16				4.33
12	W10198431	DOOR, OUTER RING				45.27
13	W10286878	WINDOW				100.02
14	690081	Door Catch Assembly				13.45
15	8519354	Retainer-Lower				8.85
16	8580059	Door, Intermediate				37.93
17	8534022	SCREW				4.33
18	8519356	Retainer, Upper				7.60
19	W10407973	DOOR SEAL				43.00

MLG20PDAWW0 - 08 - WASHER DOOR PARTS

WASHER DOOR PARTS

For Models: MLE20PDAZW0, MLG20PDAWW0, MLG20PRAWW0, MLE20PRAZW0
(White) (White) (White) (White)



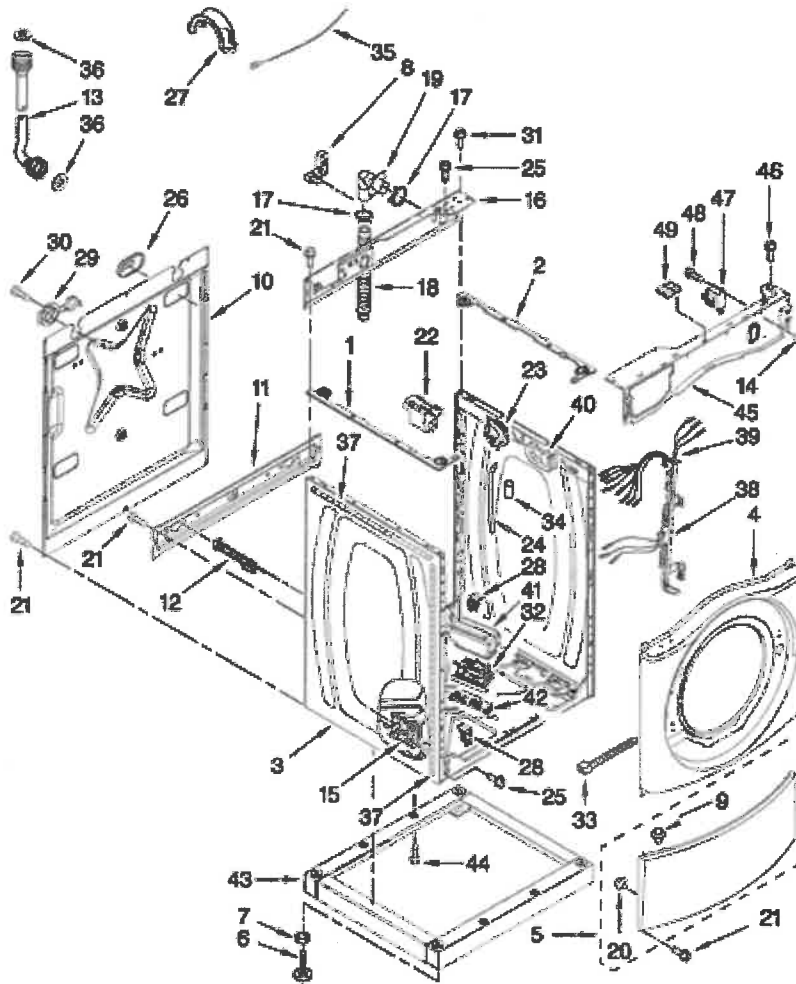
FOR ORDERING INFORMATION REFER TO PARTS PRICE LIST

Ref #	Part #	Description	Qty	Context	Note	Foot	Note	MSRP
1	W10311051	BELLOW						139.36
2	8540108	CLAMP, BELLOW TO TUB						16.67
3	W10375379	LOCK, DOOR						132.84
4	8540725	SCREW						4.33
5	8540221	Hook, Door						7.10
6	W10112925	HANDLE, DOOR						18.01
7	W10198440	TRIM RING, OUTER DOOR						56.20
8	W10217563	CLAMP, BELLOW TO FRONT PANEL						11.79
9	8540115	Clamp, Support						4.33
10	8540114	CLAMP, GLASS						11.70
11	8540513	SCREW						7.99
12	W10137404	Frame, Door Front Assembly						187.39
13	W10205548	GLASS, DOOR						137.95
14	W10198442	FRAME, DOOR BACK SUPPORT						62.72
15	W10198417	HINGE, DOOR						122.93
16	8540284	SCREW						4.33
17	8540282	SCREW						6.96
18	W10015090	Screw						6.13

MLG20PDAWW0 - 09 - WASHER CABINET PARTS

WASHER CABINET PARTS

For Models: MLE20PDAZW0, MLG20PDAWW0, MLG20PRAWW0, MLE20PRAZW0
(White) (White) (White) (White)



FOR ORDERING INFORMATION REFER TO PARTS PRICE LIST

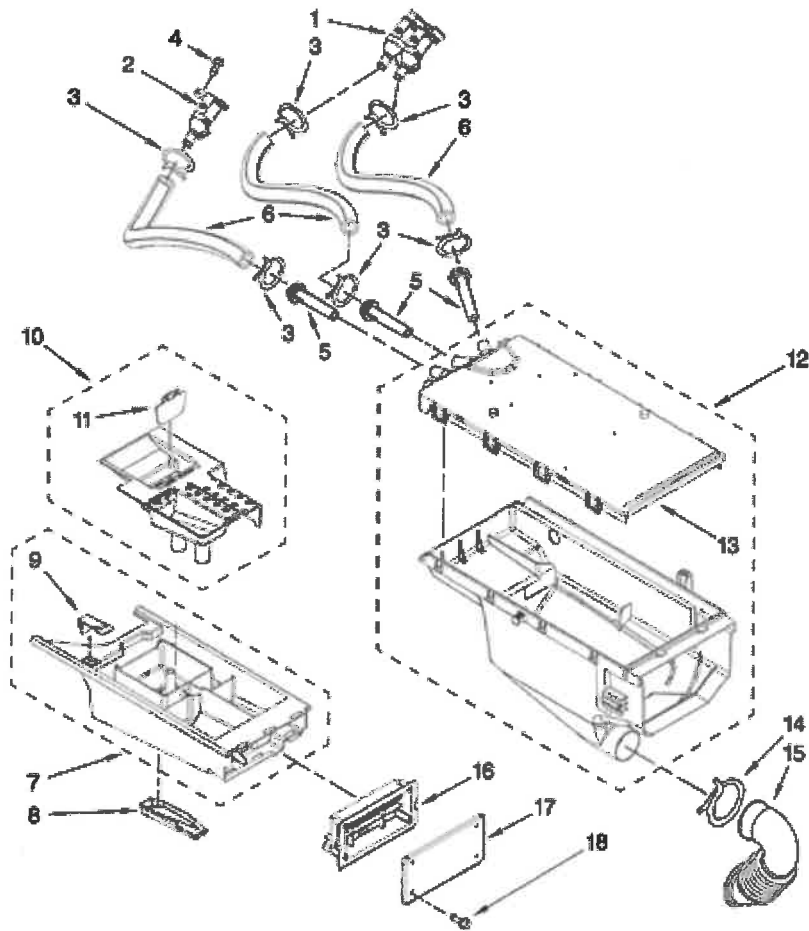
Ref #	Part #	Description	Qty	Context	Note	Foot	Note	MSRP
1	W10405229	RAIL-SPACER, LEFT						13.68
2	W10405223	RAIL-SPACER, RIGHT						29.12
3	W10225458	CABINET						207.24
4	W10306505	PANEL, FRONT						127.67
5	8540813	Toe Panel						207.29
6	W10245373	FOOT, LEVELING						6.99
7	3359452	NUT, LOCK						4.33
8	W10110676	Strain Relief, Power Cord						9.86
9	8518891	RIVET						7.99
10	W10258342	PANEL, REAR						69.47
11	W10189659	Brace, Transport						18.05
12	W10251449	BOLT, SHIPPING						24.99
13	W10194208	HOSE, WATER INLET (COLD WATER)						11.98
13	8571378	HOSE, WATER INLET (HOT WATER)						11.98
14	W10018050	CAPLUG						5.22
15	W10384849	MOTOR CONTROL UNIT						234.27
16	W10244560	BRACE, REAR						37.46
17	356138	Clamp, Hose						4.33
18	W10106460	HOSE, DRAIN- OUTER						14.16
19	W10003260	CONNECTOR, HOSE OUTLET						35.10
20	238614	Bumper						26.25
21	W10015090	Screw, 8-18 x 5/8						6.13
22	W10339736	FILTER, INTERFERENCE						49.36
23	W10292407	SWITCH, PRESSURE						62.75
24	8540294	Hose, Pressure Switch						17.83
25	8540479	Screw, Grounding						5.25
26	8540268	Cover, Transport						4.33
27	8577378	U-Bend, Drain Hose						4.33
28	W10085220	MICROSWITCH						18.46
29	8540728	SLEEVE, CORD SUPPORT						13.97
30	8540727	Screw, 3 x 8 mm						7.99
31	8540329	SCREW						4.20
32	W10382867	MICROCOMPUTER, MACHINE CONTROL						319.55
33	3429563	Cable Tie						4.33
34	2161302	Sleeve, Pressure Switch Hose						18.17
35	3347868	Cable Tie						4.33
36	3976300	WASHER, WATER INLET HOSE 1-1/16 X 5/8						4.33
37	8318396	SEAL, FOAM-IEC						21.25
38	W10168546	Harness Channel, Side Front						4.71
39	W10330830	HARNESS, MAIN WIRING INCLUDES ITEM 38						101.80

Ref #	Part #	Description	Qty	Context	Note	Foot	Note	MSRP
NI	N/P	THE FOLLOWING CABLE SETS: (NOT ILLUSTRATED)						0.00
NI	W10342200	CCU TO COLD FILL VALVE (4 POLE)						38.39
NI	W10342201	CCU TO HOT FILL VALVE (2 POLE)						101.88
NI	W10342210	CCU TO MCU - POWER (2 POLE)						35.15
NI	W10342214	CCU TO MCU-SERIAL COMMUNICATION (3 POLE)						29.12
NI	W10342208	DOOR LOCK - POWER						49.63
40	8540643	Bracket, Spring						7.30
41	W10405233	COVER, CCU						28.25
42	W10198280	BRACKET, CCU						29.11
43	W10103350	PEDESTAL, COMMERCIAL						105.99
44	3400111	SCREW, 12-14 X 5/8						4.33
45	W10294428	BRACKET, CONSOLE						36.83
46	W10015090	Screw, 8-18 x 5/8						6.13
47	W10198388	TRANSFORMER, 120 TO 22.5 VAC						72.27
48	8540329	Screw, 8-18 X 7/16						4.20
49	W10198373	RETAINER BASE						29.18

MLG20PDAWW0 - 10 - DISPENSER PARTS

DISPENSER PARTS

For Models: MLE20PDAZW0, MLG20PDAWW0, MLG20PRAWW0, MLE20PRAZW0
(White) (White) (White) (White)



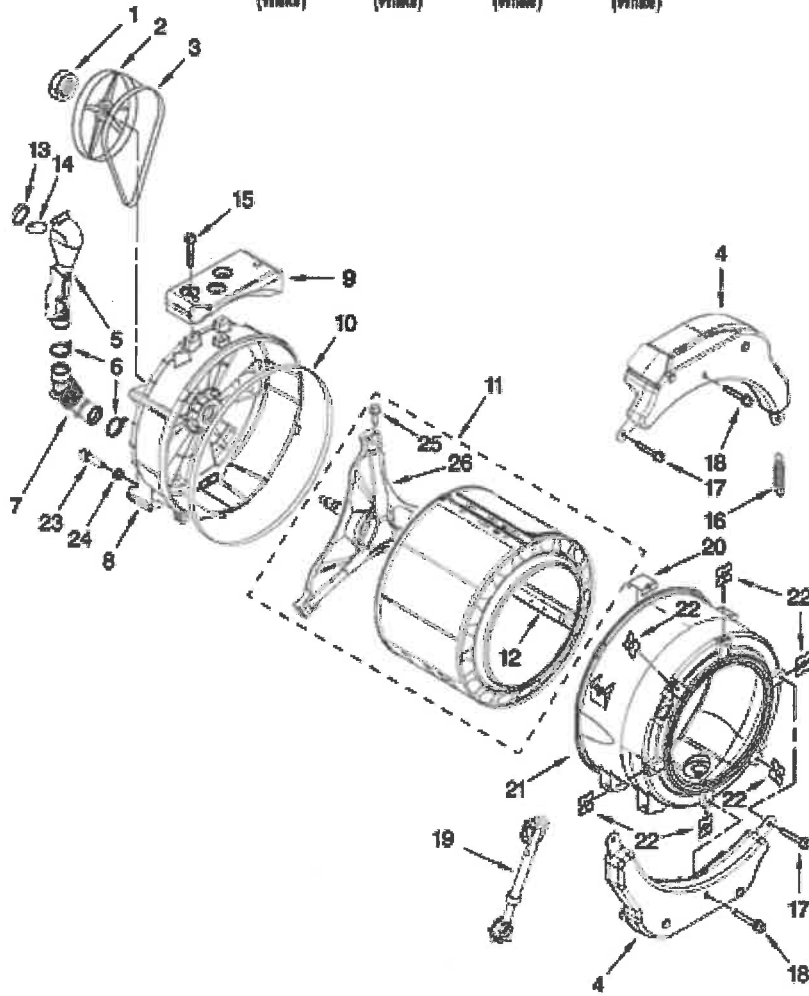
FOR ORDERING INFORMATION REFER TO PARTS PRICE LIST

Ref #	Part #	Description	Qty	Context	Note	Foot Note	MSRP
1	W10212596	VALVE, WATER INLET (DOUBLE)					67.55
2	W10212598	VALVE, WATER INLET (SINGLE)					65.25
3	370450	Clamp, Hose					4.33
4	W10137456	SCREW					4.33
5	8183181	NOZZLE, INLET					37.73
6	W10212611	HOSE, VALVE TO DISPENSER					6.90
7	W10376660	DRAWER, DETERGENT					50.08
8	8540399	Cover, Detergent Drawer					33.57
9	W10198458	TAB, DRAWER RELEASE					3.32
10	W10407371	SIPHON, BLEACH/SOFTENER					32.10
11	W10298953	DOOR, LIVING HINGE					3.32
12	W10212603	DISPENSER, OUTER HOUSING					121.69
13	W10212604	PLATE, DISTRIBUTION					48.58
14	8281276	Clamp, Hose					4.20
15	8540063	Hose, Dispenser To Tub					14.75
16	W10405607	HANDLE, DRAWER					38.26
17	W10198450	COVER, HANDLE					38.06
18	W10137456	Screw, 8-18 X 1/2					4.33

MLG20PDAWW0 - 11 - TUB AND BASKET PARTS

TUB AND BASKET PARTS

For Models: MLE20PDAZYW0 (White), MLG20PDAWW0 (White), MLG20PRAWW0 (White), MLE20PRAZYW0 (White)



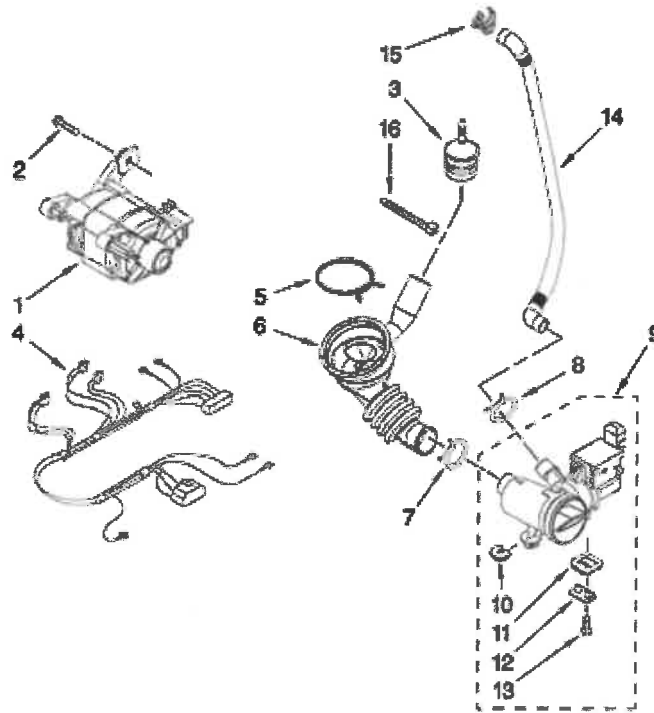
FOR ORDERING INFORMATION REFER TO PARTS PRICE LIST

Ref #	Part #	Description	Qty	Context Note	Foot Note	MSRP
1	8533999	Nut, Pulley				31.94
2	8540088C	PULLEY				79.28
3	W10260319	BELT, DRIVE				35.09
4	W10223198	COUNTERWEIGHT, FRONT				72.26
5	W10142720	Pipe, Ventilation				42.48
6	8540010	Clamp, Vent Hose				6.56
7	8540019	Hose, Exhaust				13.40
8	W10303574	TUB, REAR (INCLUDES ITEMS 10 & 22)				671.61
9	W10200747	COUNTERWEIGHT, REAR				65.08
10	8540090	Gasket, Tub				40.03
11	W10303571	BASKET, COMPLETE				671.61
12	W10118982	Baffle, Tub				4.71
13	W10142721	CONNECTOR - VENTILATION				4.78
14	W10142722	FLAP, VENTILATION				0.86
15	W10246531	SCREW, REAR COUNTERWEIGHT				4.33
16	W10010360	SPRING, SUSPENSION (SET OF 2)				44.62
17	W10094780	BOLT, COUNTERWEIGHT				33.97
18	W10259288	BOLT ASSEMBLY, COUNTERWEIGHT CENTER HOLE				8.01
19	W10015830	SHOCK ABSORBER				54.53
20	8540092	Clamp, Tub				4.33
21	W10266965	TUB, FRONT (INCLUDES ITEMS 10 & 22)				368.50
22	8540072	Nut, Push-In				4.33
23	W10176659	NEGATIVE THERMISTOR CONTROL				31.97
24	8540766	Seal, Rubber				16.35
25	8540382	SCREW				4.33
26	8540342	CROSSPIECE ASSEMBLY				156.86

MLG20PDAWW0 - 12 - PUMP AND MOTOR PARTS

PUMP AND MOTOR PARTS

For Models: MLE20PDAZW0 (White), MLG20PDAWW0 (White), MLG20PRAWW0 (White), MLE20PRAZW0 (White)



W10372247

FOR ORDERING INFORMATION REFER TO PARTS PRICE LIST

Ref #	Part #	Description	Qty	Context Note	Foot Note	MSRP
1	W10171927	MOTOR, DRIVE				186.91
2	8540134	Bolt, Motor				7.99
3	W10405608	AIR TRAP (INCLUDES ITEM 18)				4.33
4	W10201879	HARNESS, MOTOR				65.33
5	8181734	CLAMP				4.11
6	8540012	Hose, Tub to Pump				24.40
7	370448	Clamp, Hose				3.97
8	356138	Clamp, Drain Hose				4.33
9	W10130913	Pump (Complete)				150.49
10	W10034820	Foot, Rubber (Slider)				7.60
11	W10034830	Foot, Rubber (Lock)				8.22
12	8540033	Cap, Lock Foot				10.69
13	8533964	SCREW, 10-16 X 1.25				7.40
14	W10272563	HOSE, DRAIN INNER				15.09
15	W10003290	RETAINER, DRAIN HOSE				12.15
16	2262071	CABLE TIE				4.71