



# **MLG-30**

# **Parts Manual**

---

**RETAIN THESE INSTRUCTIONS IN A SAFE PLACE  
FOR FUTURE REFERENCE**

---

**Whirlpool Corporation**  
Commercial Laundry  
Benton Harbor, MI 49022  
1-800-662-3587

# Retain This Manual In A Safe Place For Future Reference

This product embodies advanced concepts in engineering, design, and safety. If this product is properly maintained, it will provide many years of safe, efficient, and trouble free operation.

***ONLY properly licensed technicians should service this equipment.***

**OBSERVE ALL SAFETY PRECAUTIONS** displayed on the equipment or specified in the installation manual included with the dryer.

The following "FOR YOUR SAFETY" caution must be posted near the dryer in a prominent location.

## FOR YOUR SAFETY

Do not store or use gasoline or other flammable vapors and liquids in the vicinity of this or any other appliance.

## POUR VOTRE SÉCURITÉ

Ne pas entreposer ni utiliser d'essence ni d'autres vapeurs ou liquides inflammables à proximité de cet appareil ou de tout autre appareil.

We have tried to make this manual as complete as possible and hope you will find it useful. The manufacturer reserves the right to make changes from time to time, without notice or obligation, in prices, specifications, colors, and material, and to change or discontinue models.

## Important

For your convenience, log the following information:

DATE OF PURCHASE \_\_\_\_\_ MODEL NO. **MLG-30**

DISTRIBUTOR'S NAME \_\_\_\_\_

Serial Number(s) \_\_\_\_\_

\_\_\_\_\_

\_\_\_\_\_

For replacement parts, contact the distributor from which the dryer was purchased or contact:

**Maytag**

Benton Harbor, MI  
1-800-662-3587

The illustrations on the following pages may not depict your particular dryer exactly. The illustrations are a composite of the various dryer models. Be sure to check the descriptions of the parts thoroughly before ordering.

**“IMPORTANT NOTE TO PURCHASER”**

Information must be obtained from your local gas supplier on the instructions to be followed if the user smells gas. These instructions must be posted in a prominent location near the dryer.

NOTES \_\_\_\_\_

\_\_\_\_\_

\_\_\_\_\_

\_\_\_\_\_

\_\_\_\_\_

\_\_\_\_\_

\_\_\_\_\_

\_\_\_\_\_

\_\_\_\_\_

\_\_\_\_\_

\_\_\_\_\_

\_\_\_\_\_

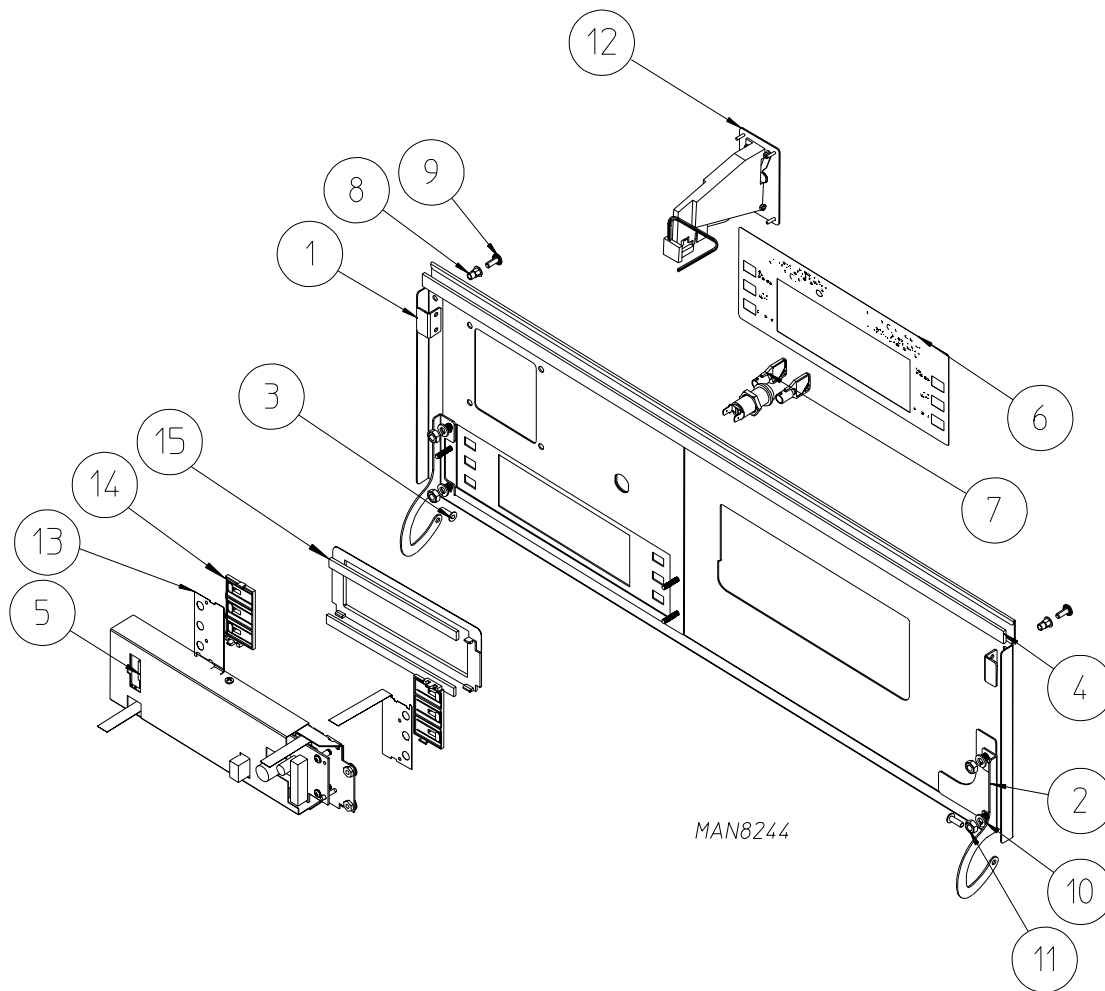
\_\_\_\_\_

\_\_\_\_\_

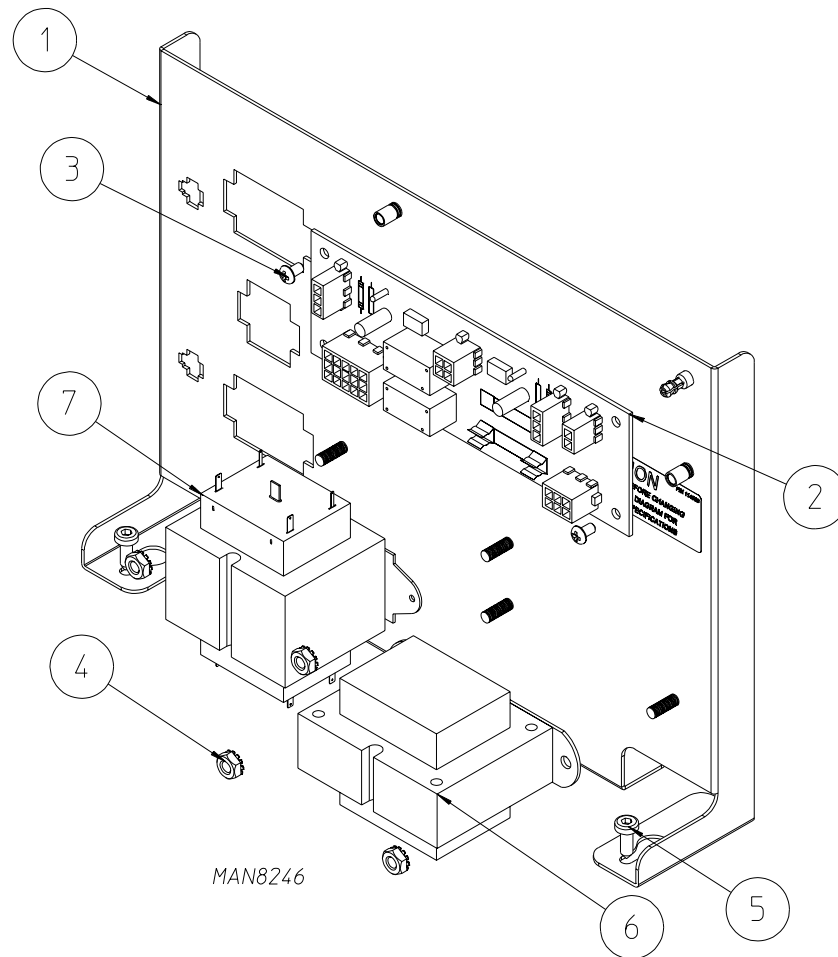
\_\_\_\_\_

\_\_\_\_\_

# Coin Control Door Assembly

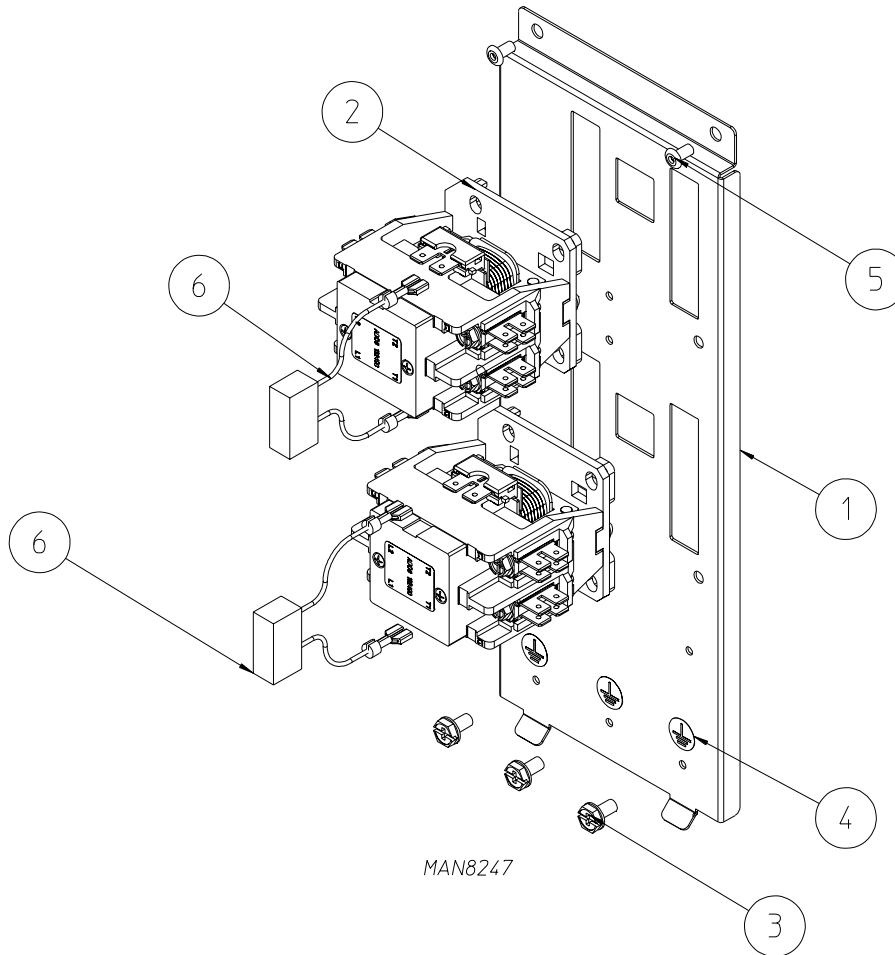


<u>Illus. No.</u>	<u>Part No.</u>	<u>Qty.</u>	<u>Description</u>
1	833501	1	Coin Control Panel
2	333852	1	Control Door Hinge
3	154220	2	3/16" Pop Rivet
4	117605	1	.125 x .5625 x 3' Noise Suppression Tape
5	821991	1	Stack Microprocessor Controller Assembly (includes illus. nos. 5 and 13 through 15)
	137239	1	Microprocessor Only
6	114524	1	Keypad Label White
7	160070	1	Control Door Lock Assembly
8	152111	2	#10-32 Hex
9	183129	2	#10-32 x 1/2" TORX® Truss Head Machine Screw
10	153007	4	1/4" Split Lock Washer
11	152002	4	1/4-20 Hex Nut
12	883639	1	25¢ U.S. Coin Acceptor
	828489	1	Optic Switch Assembly
13	112541	2	Keypad Membrane
14	112544	2	Keypad Push Buttons
15	112543	1	Display Cover



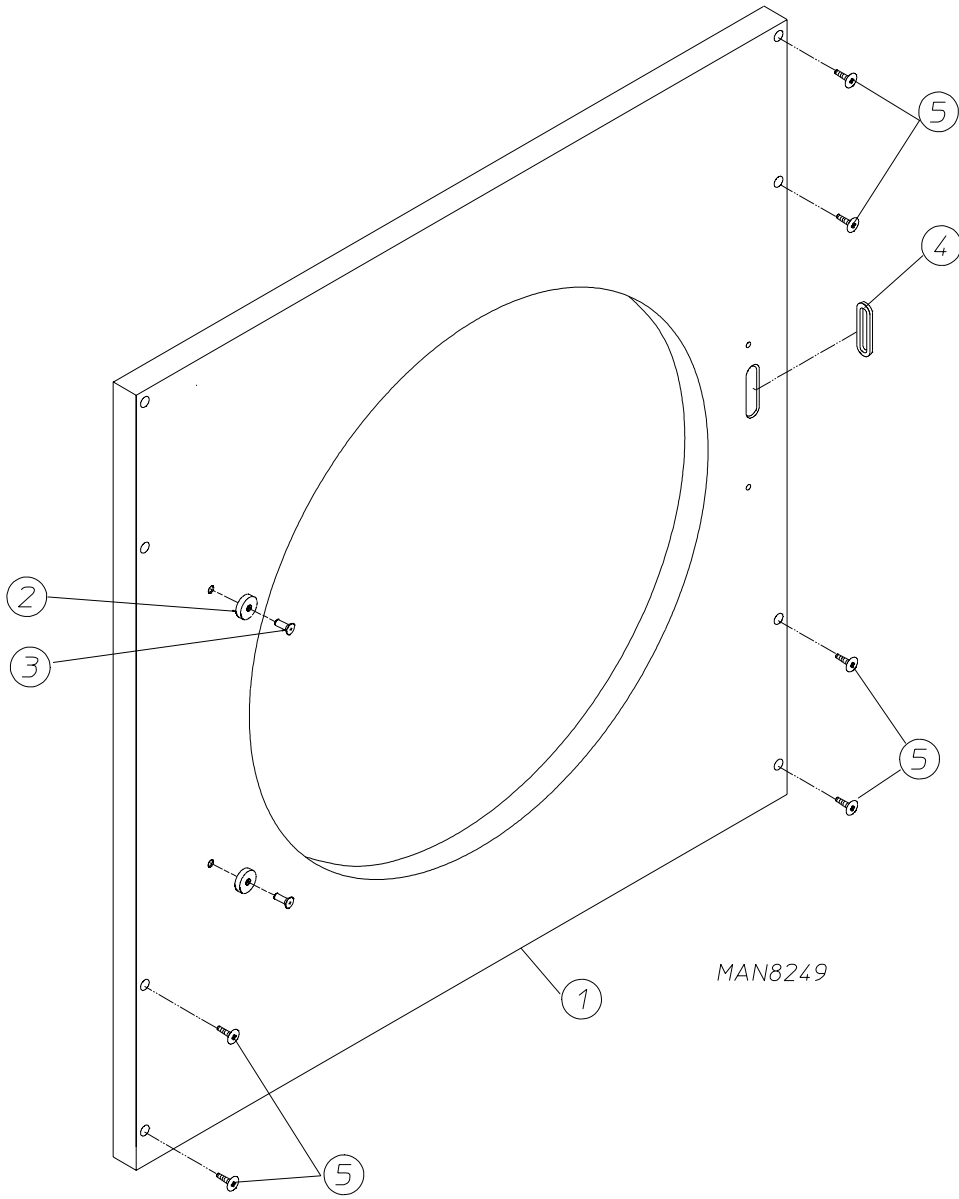
<u>Illus. No.</u>	<u>Part No.</u>	<u>Qty.</u>	<u>Description</u>
1	833508	1	Electric Panel Only
2	137241	1	Interconnect Board
3	150005	2	#6-32 x 1/4" Phillips Round Head Machine Screw
4	153073	4	#8-32 Keps Nut
5	150331	2	#8-18 x 1/2" Pan Head TORX® Screw
6	836117	1	24 Volt Transformer Assembly
7	132068	1	Transformer

# Rear Electrical Panel



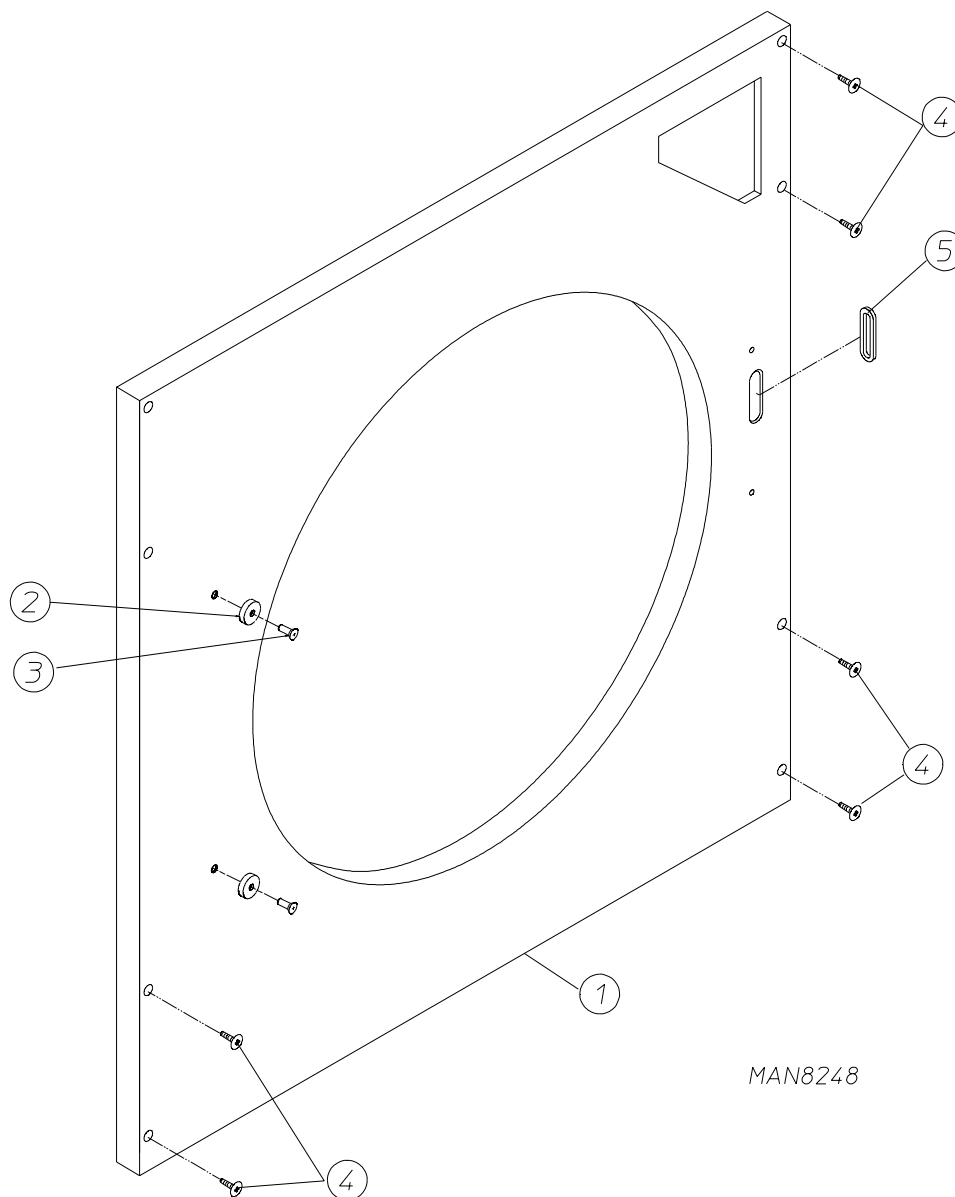
<u>Illus. No.</u>	<u>Part No.</u>	<u>Qty.</u>	<u>Description</u>
1	805594	1	120V Electrical Panel Assembly (includes illus. nos. 1 through 6)
	333947	1	Electrical Component Panel Mount Only
2	132498	2	24V 2-Pole D Contactor
3	120910	3	Green Ground Screw
4	112075	3	Ground Symbol Label
5	154200	2	5/32" Pop Rivet
6	824828	2	RC Network with Connectors

# Upper Front Panel Assembly



Illus. No.	Part No.	Qty.	Description
1	833504	1	White Top Front Panel (includes illus. nos. 1, 2, 4, and 5)
	833556	1	Stainless Steel Top Front Panel (includes illus. nos. 1, 2, 4, and 5)
2	102004	2	3/4" Door Magnet
3	152223	2	#10-32 x 1/2" T-20 TORX® Screw
4	121405	1	Rubber Grommet
5	150313	8	#10-16 x 1/2" TORX® Type I Screw
	400505	1	TORX® Bit for removing above

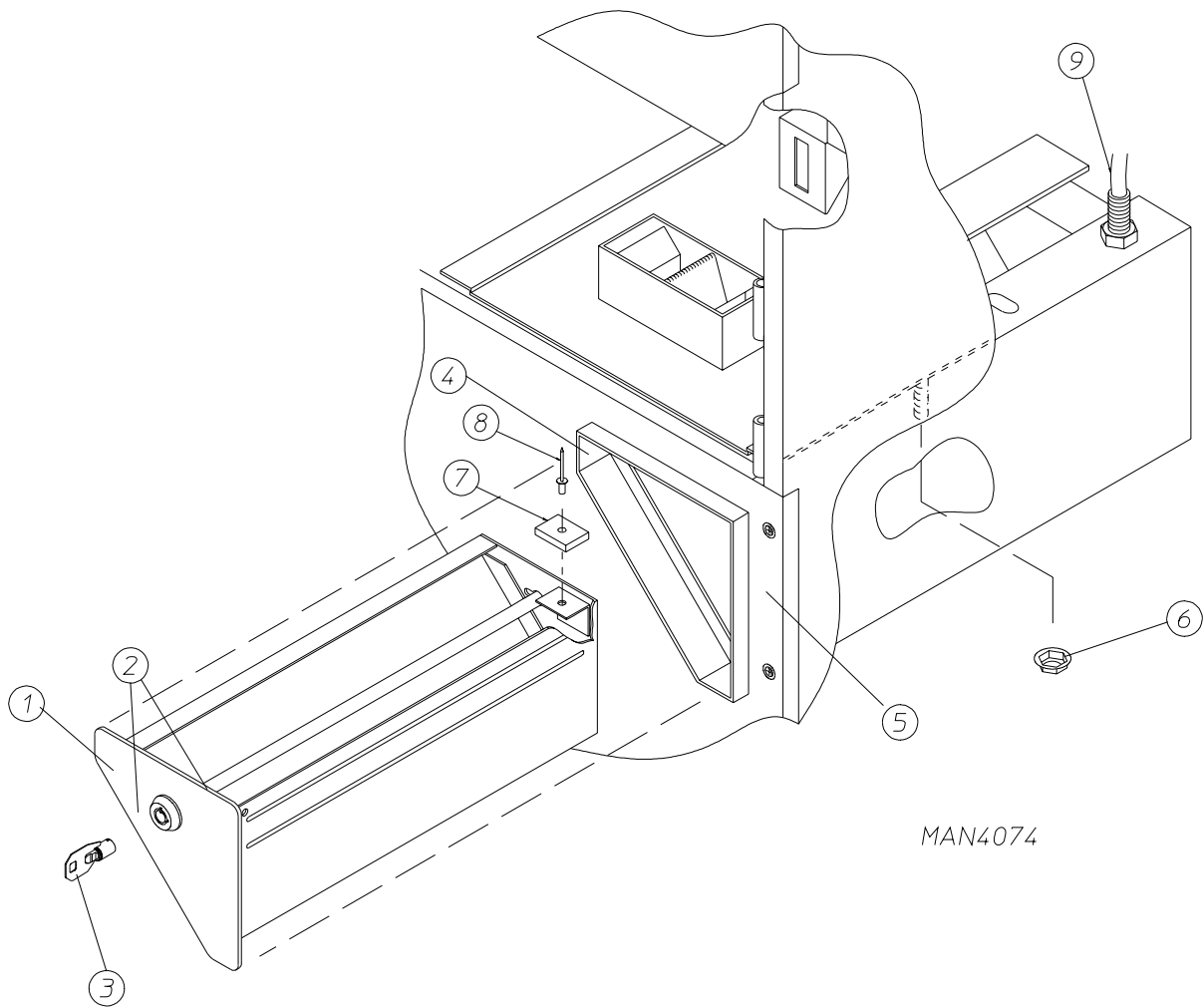
# Lower Front Panel Assembly



MAN8248

<u>Illus. No.</u>	<u>Part No.</u>	<u>Qty.</u>	<u>Description</u>
1	833503	1	White Bottom Front Panel (includes illus. nos. 1, 2, 4, and 5)
	833555	1	Stainless Steel Bottom Front Panel (includes illus. nos. 1, 2, 4, and 5)
2	102004	2	3/4" Door Magnet
3	152223	2	#10-32 x 1/2" T-20 TORX® Screw
4	150313	9	#10-16 x 1/2" TORX® Type I Screw
	400505	1	TORX® Bit for removing above
5	121405	1	Rubber Grommet





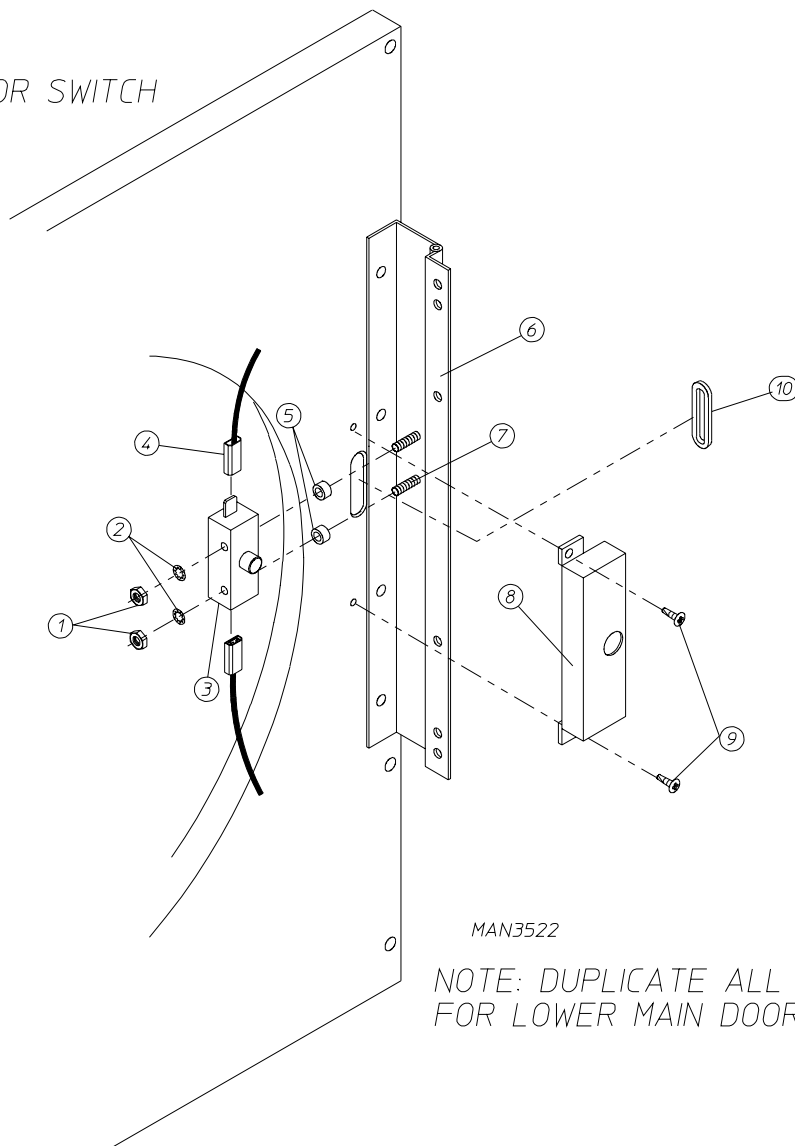
MAN4074

Illus. No.	Part No.	Qty.	Description
1	801519	1	Coin Box Assembly with Magnet and Faceplate
	883348	1	Coin Box Faceplate Only
2	160036	1	Ace® Lock Assembly with Key
3*	160136	1	Ace® Key Only
4	802129	1	Coin Vault Only
5	—	1	Lower Front Panel (refer to <b>Lower Front Panel Assembly on page 8</b> )
6	152014	4	1/4-20 Free Spin Wash Nut
7	102102	1	1" x 3/4" x 0.197 Magnet
8	154200	1	5/32" Pop Rivet
9	824807	1	Magnetic Reed Switch Assembly

\* Specify key number when ordering.

# Main Door Switch Assembly

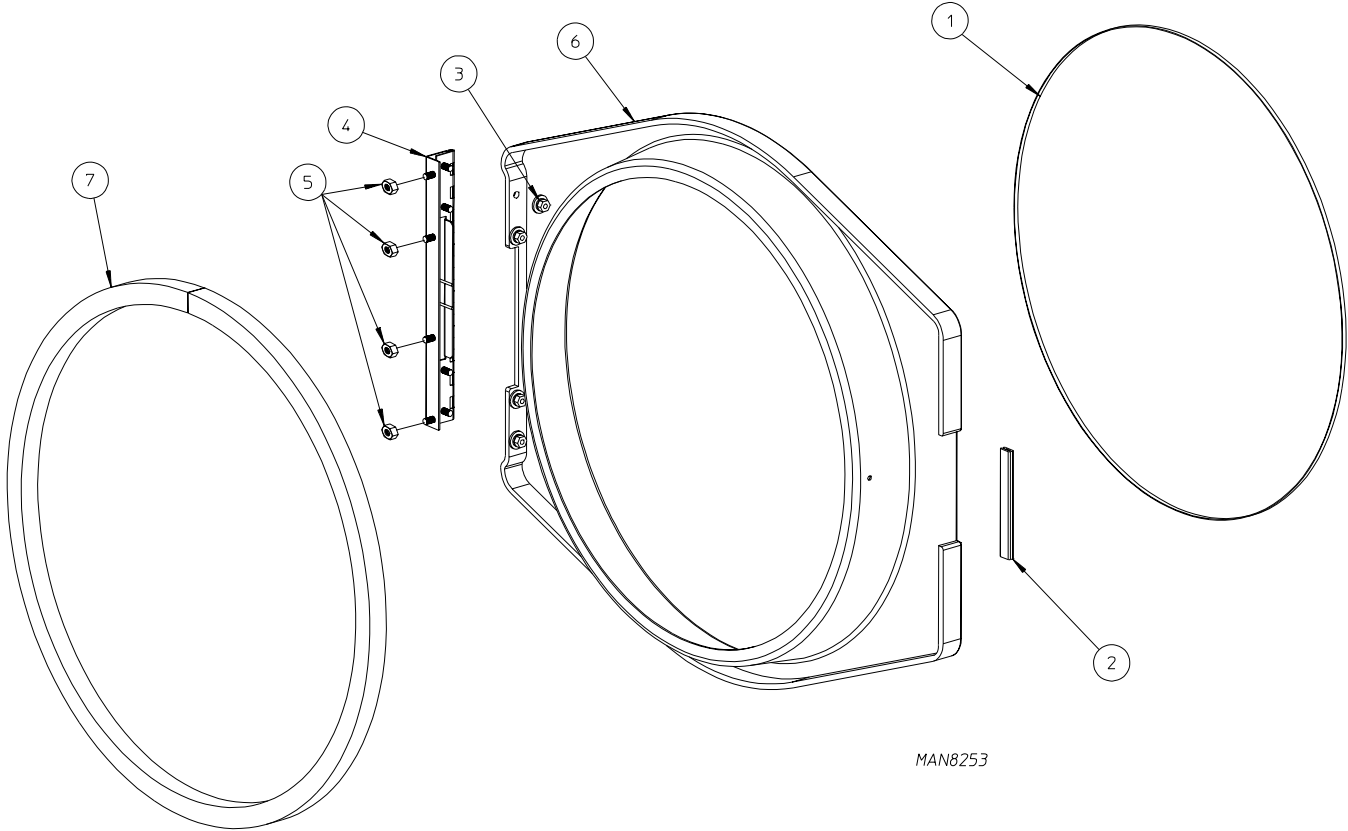
UPPER MAIN DOOR SWITCH



MAN3522

NOTE: DUPLICATE ALL COMPONENTS FOR LOWER MAIN DOOR SWITCH

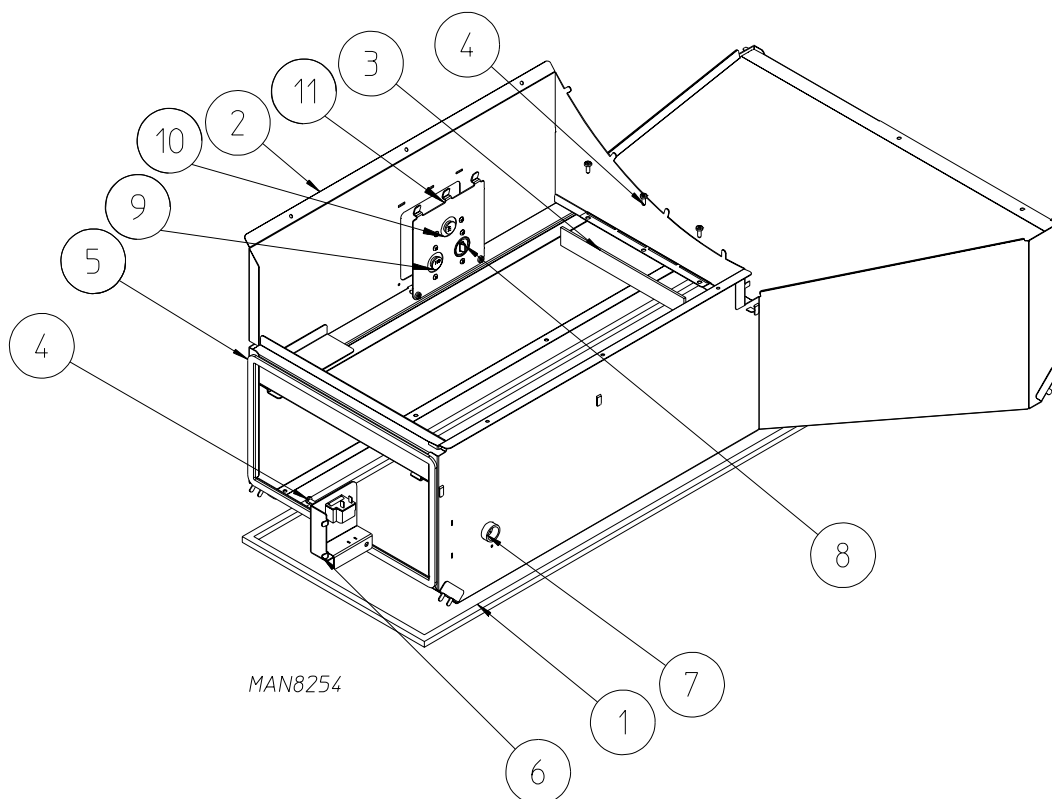
<u>Illus. No.</u>	<u>Part No.</u>	<u>Qty.</u>	<u>Description</u>
1	152013	2	#6-32 Hex Nut
2	153010	2	#6 Star Washer
3	137005	1	Single-Pole Door Switch
4	121028	2	Insulated Female Terminal
5	154281	2	3/8" Standard Nylon Spacers
6	814756	1	11-1/2" Black Cold Rolled Steel Main Door Hinge Assembly
7	153565	2	#6 Stud
8	881246	1	Main Door Switch Housing Only
9	150201	2	#10-32 x 1/4" Phillips Pan Head Screw
10	121405	1	Rubber Grommet



MAN8253

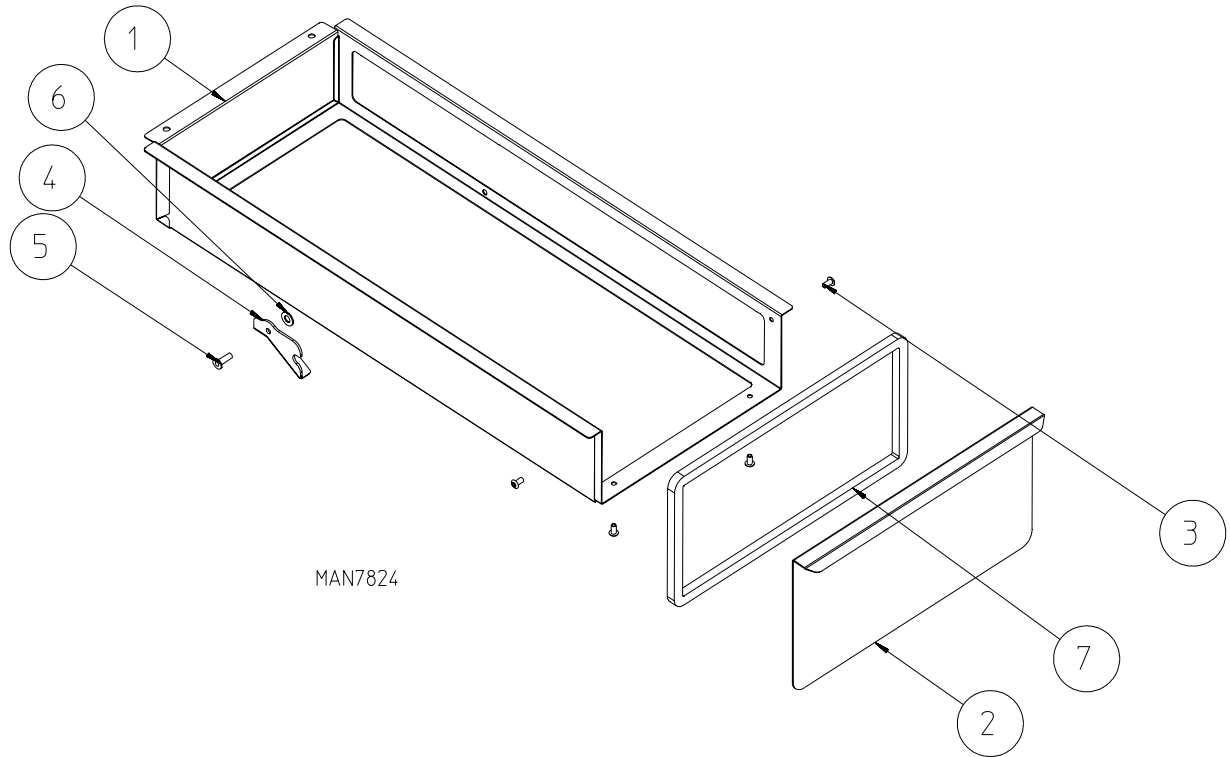
<u>Illus. No.</u>	<u>Part No.</u>	<u>Qty.</u>	<u>Description</u>
1	102210	1	20-7/16 Door Glass
2	102328	1	Handle Edge
3	152014	4	1/4-20 Free Spin Wash Nut
4	814756	1	Black Door Hinge
5	152014	4	1/4-20 Free Spin Wash Nut
6	828549	1	Black Main Door Assembly (includes illus. nos. 1 through 7)
7	102349	1	Gasket

## Lint Coop Compartment



Illus. No.	Part No.	Qty.	Description
1	117617	10	3/8" x 5/16" Foam Gasket
2	833507	1	Lint Coop Assembly
	833506	1	Lint Coop
3	116049	1	Lint Coop Felt
4	150331	4	TORX® Screw
5	117604	1	Foam Gasket
6	845926	1	Lint Drawer Switch Bracket Assembly
	122002	1	Lint Drawer Switch Only
7	121400	1	Universal Bushing
8	130117	1	Themistor
9	130118	1	170° Automatic High Limit
10	130119	1	160° Automatic High Limit
11	845941	1	Thermostat Bracket Complete (includes illus. nos. 8 through 11)

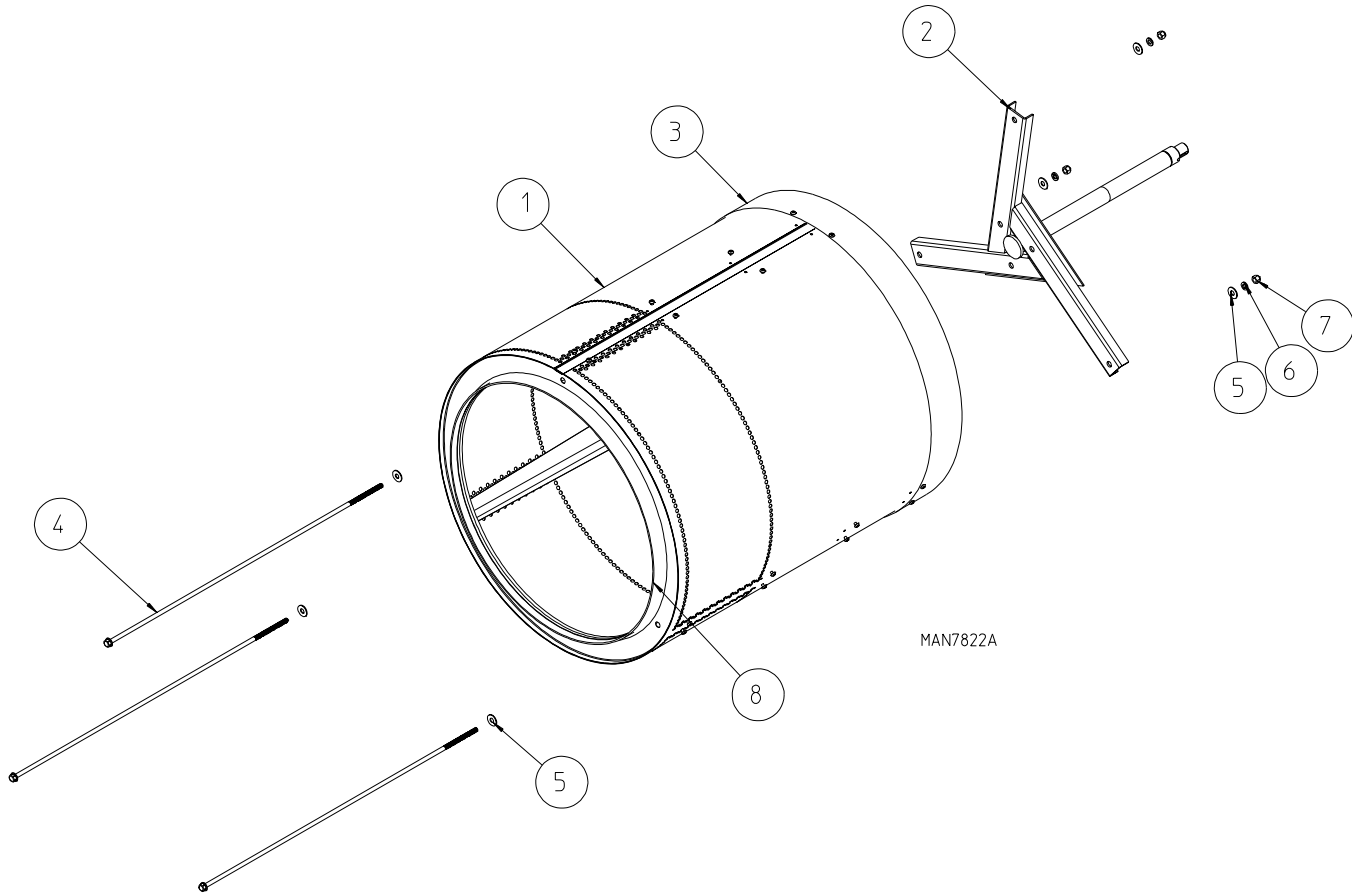
# Lint Drawer (Basket) Assembly



Illus. No.	Part No.	Qty.	Description
1	833564*	1	Lint Drawer Assembly (includes illus. nos. 1 through 7)
	833565*	1	Lint Drawer Body
2	833512*	1	Lint Drawer Handle
3	154211	4	5/32" Buttonhead Rivet
4	345048	1	Lint Drawer Stop
5	154220	1	3/16" Pop Rivet
6	153022	1	#10 Flat Washer
7	117617	3	3/8" x 5/16" Sponge Tape

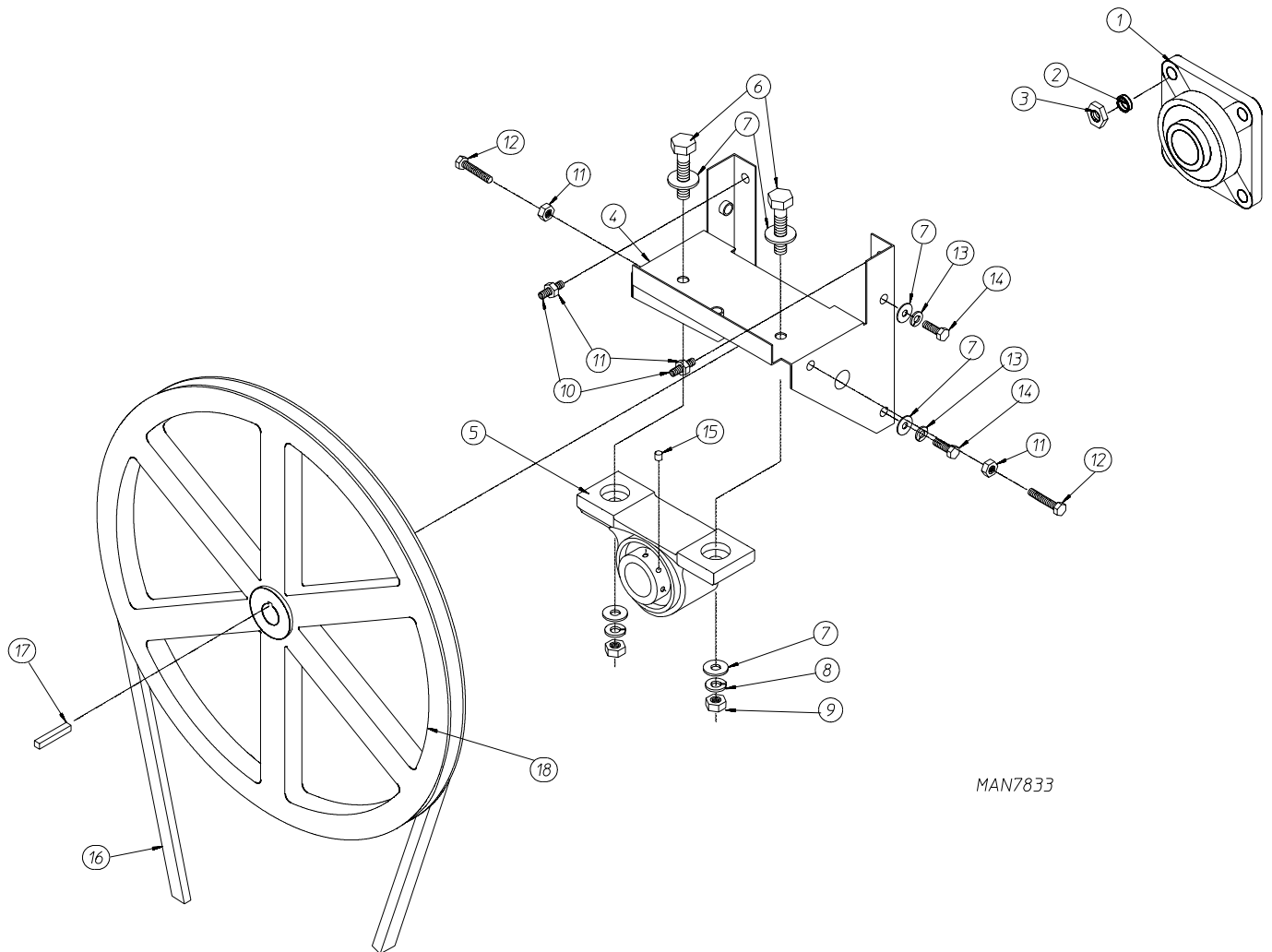
\* Specify color.

# Tumbler Support Assemblies



<u>Illus. No.</u>	<u>Part No.</u>	<u>Qty.</u>	<u>Description</u>
1	833570	1	Tumbler and Support Assembly Complete with Felt Collar (includes illus. nos. 1 through 8)
	833569	1	Tumbler Only without Felt Collar
2	850064	1	Tumbler Support Only
3	115999	1	Tumbler Felt Collar
4	100915	3	3/8-16 x 31-1/8" Tie Rod
5	153004	6	3/8" Flat Washer
6	153005	3	3/8" Lock Washer
7	152027	3	3/8-16 Hex Nylon Insert Lock Nut
8	115992	1	Inner Ring Tumbler Felt Collar

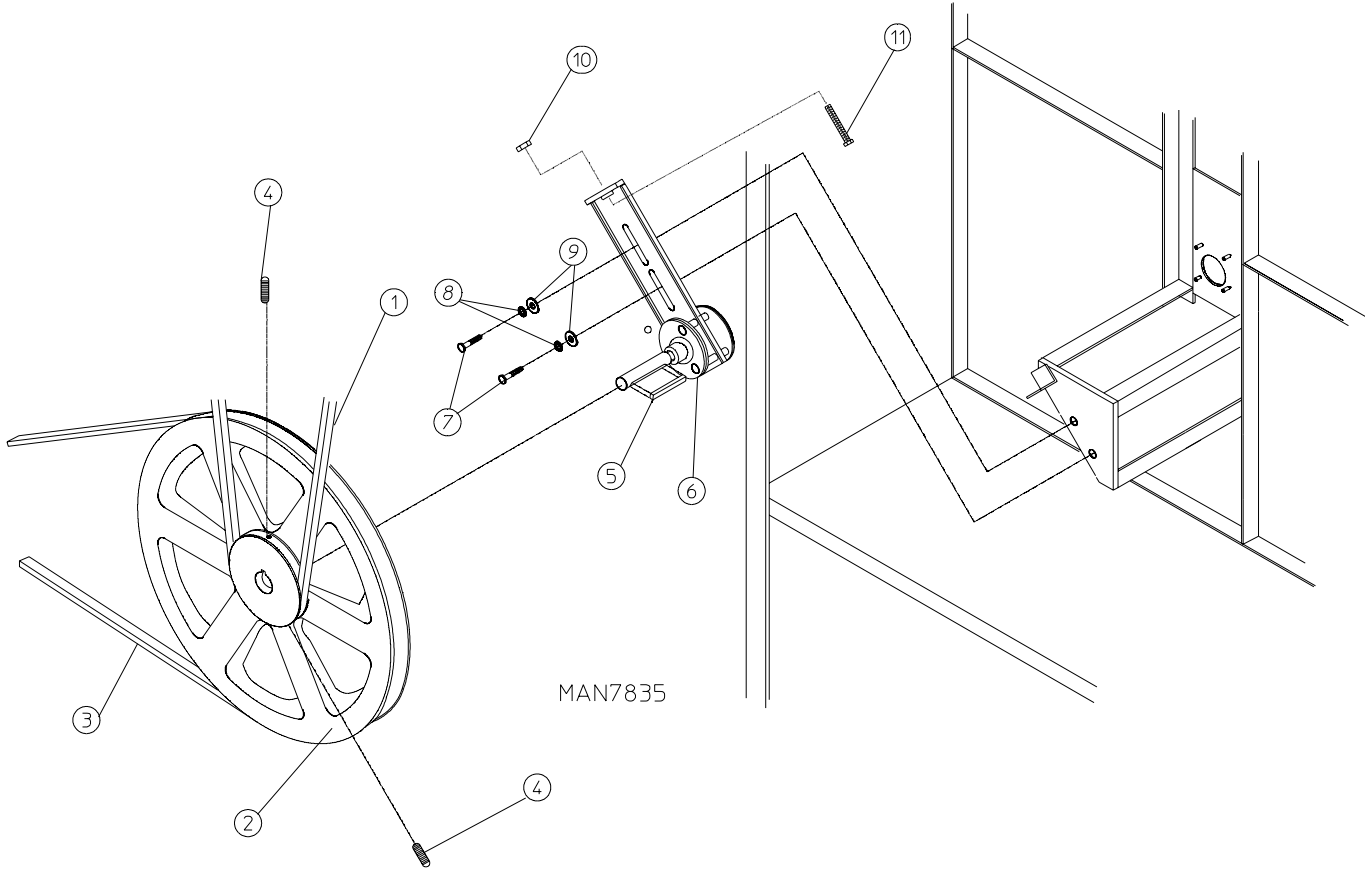
# Tumbler Bearing Assembly



MAN7833

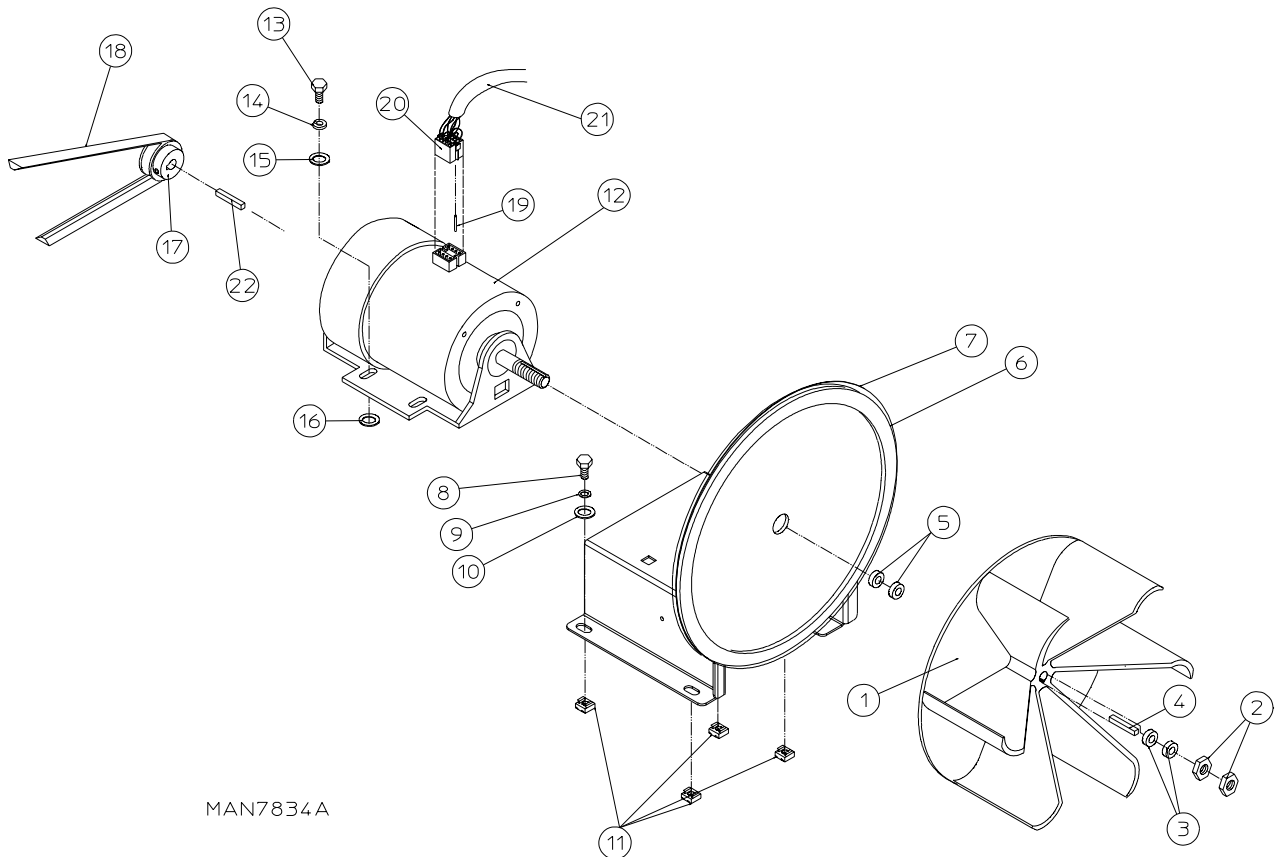
<u>Illus. No.</u>	<u>Part No.</u>	<u>Qty.</u>	<u>Description</u>
1	880203	1	1-3/8" Flange Bearing
2	153005	4	3/8" Lock Washer
3	152005	4	3/8-16 Hex Nut
4	800981	1	Pillow Block Bearing Assembly Complete (includes illus. nos. 4 through 15)
	800980	1	Pillow Block Bearing Support Only
5	880202	1	1-3/8" Pillow Block Bearing (includes illus. nos. 5, 10, and 15)
6	150601	2	3/8-16 x 2" Hex Bolt
7	153004	8	3/8" Flat Washer
8	153005	2	3/8" Lock Washer
9	152005	2	3/8-16 Hex Nut
10	154321	2	5/16-24 x 3/8" Black Setscrew
11	152004	4	5/16-18 Hex Nut
12	150621	2	5/16-18 x 1-1/2" Tap Bolt
13	153002	4	5/16" Lock Washer
14	150501	4	5/16-18 x 3/4" Tap Bolt
15	150610	2	5/16-18 x 1-1/2" Allen Setscrew
16	100100	1	5L-660 V-Belt (to idler assembly)
17	100713	1	1/4" x 1/4" x 7/8" Key
18	884042	1	18" Pulley

# Idler Bearing Assembly



<u>Illus. No.</u>	<u>Part No.</u>	<u>Qty.</u>	<u>Description</u>
1	100100	1	50660R V-Belt
2	101129	1	9" x 2-1/2" Pulley
3	100113	1	4L-400 V-Belt (To Motor Pulley) for 60 Hz Models Only
4	154301	2	5/16-18 x 1" Allen Setscrew
5	100705	1	3/16" x 3/16" x 1-3/8" Key
6	882777	1	Idler Bearing Assembly Complete (includes illus. nos. 5 through 11)
7	150617	2	3/8-16 x 1" Hex Head Machine Bolt
8	153005	2	3/8" Lock Washer
9	153004	2	3/8" Flat Washer
10	152004	1	5/16-18 Hex Nut
11	150509	1	5/16-18 x 3" Hex Head Machine Bolt



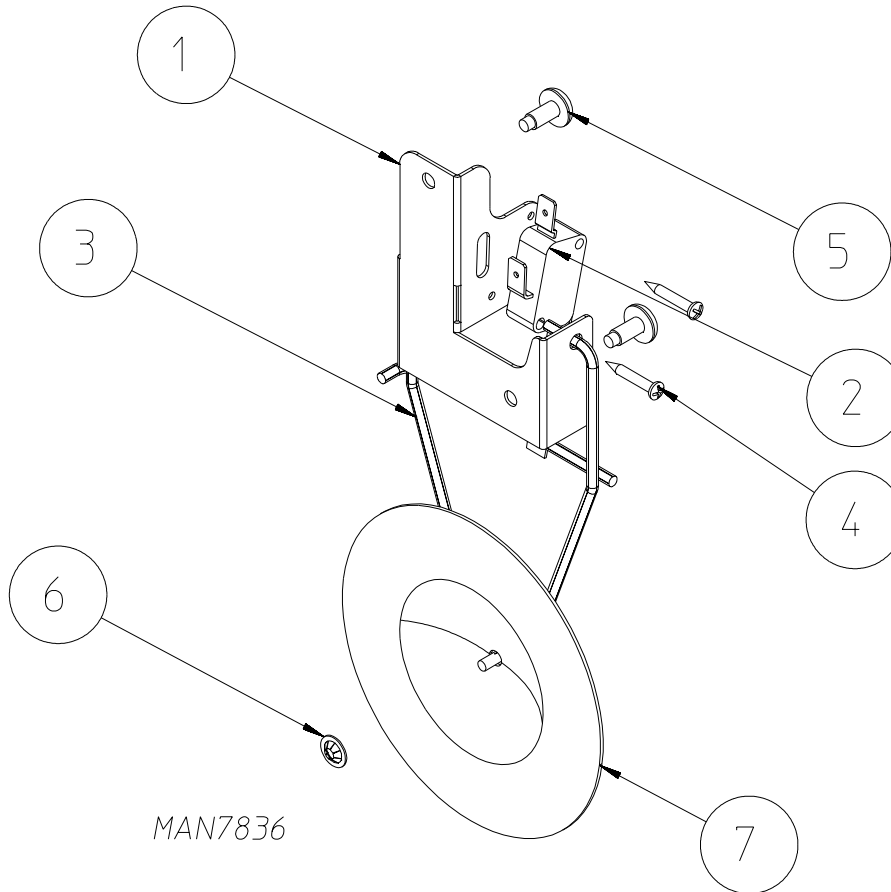


MAN7834A

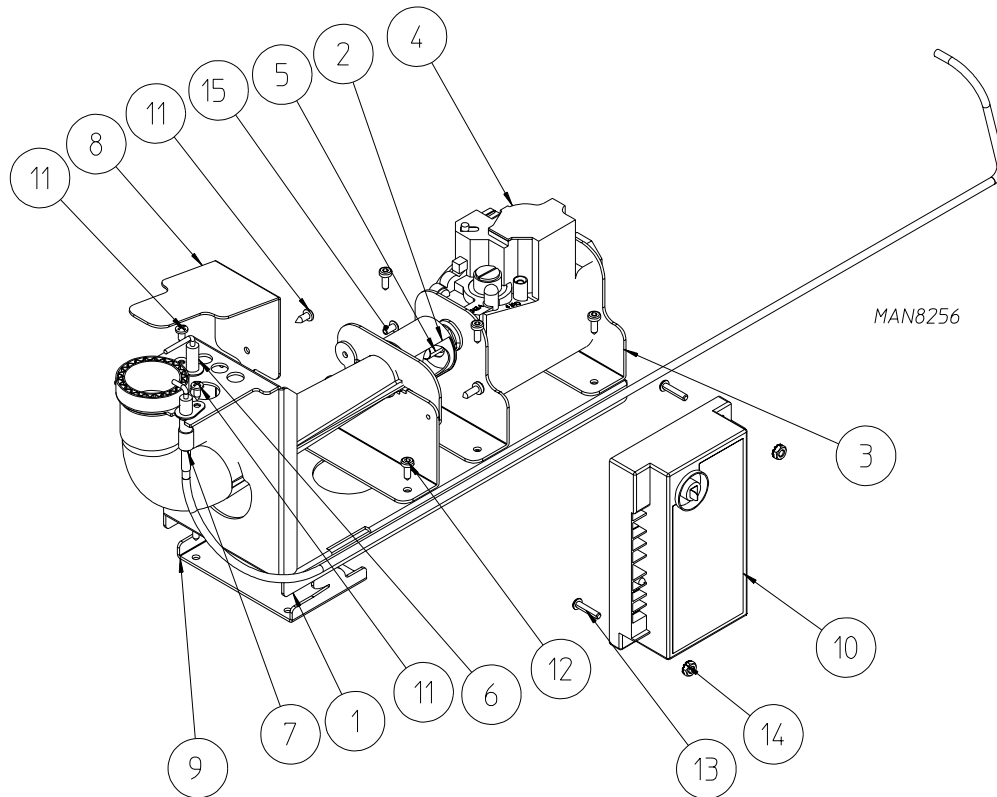
Illus. No.	Part No.	Qty.	Description
1	100604	1	12-1/2" Impellor with 1/2" Bore
2	152006	2	1/2-20 Left-Hand Jam Nut
3	153050	*	1/2" S.A.E. Flat Washer
4	100723	1	1/8" x 1/8" x 1-3/8" Key
5	153050	*	1/2" S.A.E. Flat Washer
6	117617	4	1/8" x 3/8" Sponge Tape (sold by the foot)
7	833519	1	Motor Mount Only
	833537	1	1/2 hp 115-230v 1ø 60 Hz Motor Mount Assembly Complete with Plug Motor (includes illus. nos. 1 through 7 and 11 through 17)
8	150501	4	5/16-18 x 3/4" Hex Head Machine Bolt
9	153002	4	5/16" Lock Washer
10	153001	4	5/16" Flat Washer
11	154000	4	5/16-18 Tinnerman Nut
12	181049	1	1/2 hp 100-230v 1ø 50/60 Motor with Plug
13	150501	4	5/16-18 x 3/4" Hex Head Machine Bolt
14	153002	4	5/16" Lock Washer
15	153001	4	5/16" Flat Washer
16	153001	*	5/16" Flat Washer
17	101131	1	1/2" x 2-1/4" Motor Pulley (for use on 1ø, 60 Hz models Only)
18	100113	1	4L-400 V-Belt (to idler) for 60 Hz Models Only
19	122701	8	Socket Terminal
20	137030	1	8-Pin Housing
	122801	1	Pin / Socket Extraction Tool ... Not Illustrated
21	826316	1	120v 1ø Motor Harness with Plug
22	100723	1	1/8" x 1/8" x 1-3/8" Key (for use on 1ø models Only)

\* As required.

# Sail Switch Assembly



<u>Illus. No.</u>	<u>Part No.</u>	<u>Qty.</u>	<u>Description</u>
1	833520	1	Sail Switch Assembly Complete (includes illus. nos. 1 through 7)
	333958	1	Sail Switch Bracket Only
2	122200	1	Sail Switch
3	105500	1	Sail Switch Rod Assembly
4	150303	2	#4 x 3/4" Phillips Machine Screw
5	150313	2	#10-16 x 1/2" TORX® Screw
6	154002	1	1/8" Push-On Fastener
7	319206	1	Sail Switch Damper
	833568	1	Sail Switch L.E.D. Bracket Assembly ... Not Illustrated

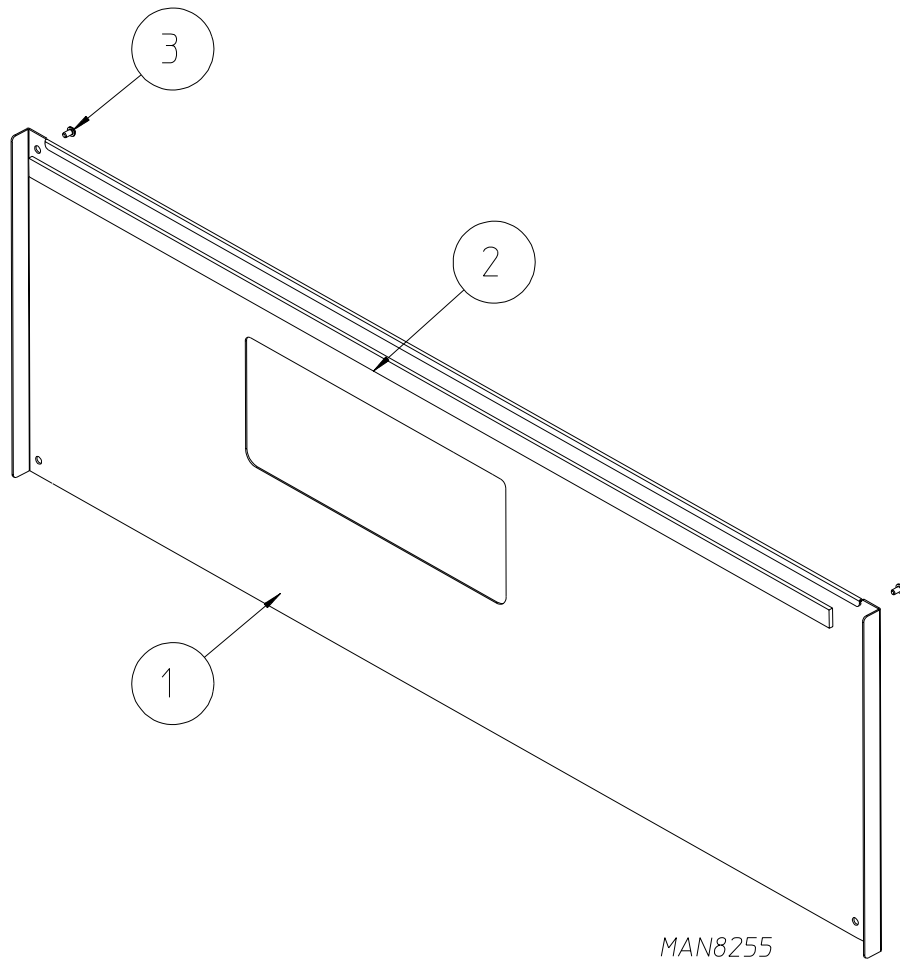


Illus. No.	Part No.	Qty.	Description
1	333889	1	Up-Shot Burner Tube Bracket
2	141130	1	Up-Shot Burner Tube
3	333890	1	Gas Valve Pipe Bracket
4	833538*	1	Natural Gas Valve Burner Assembly (includes illus. nos. 1 through 15)
	128979*	1	Natural Gas Valve
5	140908*	1	#20 Burner Orifice (natural gas)
	140909*	1	#41 Burner Orifice (liquid propane)
	884399*	1	Natural Gas to Liquid Propane Conversion Kit
6	128918	1	Flame Sensor
7	128902	1	Ignitor with 36" Noise Suppression Cable
8	333880	1	Flame Spreader
9	333891	1	Gas Valve Hold Down
10	887133	1	Fenwal Direct Spark Ignition Module with 3 Tries
11	150301	4	#8-18 x 7/16" Phillips Screw
12	150331	6	#8-18 x 1/2" TORX® Screw
13	150103	2	#8-32 x 3/4" Phillips Screw
14	153073	2	#8-32 Keps Nut
15	154200	1	5/32 Pop Rivet

\* Consult factory for elevations over 2,000 feet.

# Toe Panel

---



---

<u>Illus. No.</u>	<u>Part No.</u>	<u>Qty.</u>	<u>Description</u>
1	884542*	1	Toe Panel Assembly (includes illus. nos. 1 and 2)
	884543	1	Toe Panel Assembly (stainless steel) (includes illus. nos. 1 and 2)
2	117605	3	1/4" x 3/8" Neosponge Tape
3	150320	4	#10-16 x 3/4" TORX® PLUS BTN Type 1 Blk

\* Specify color.



