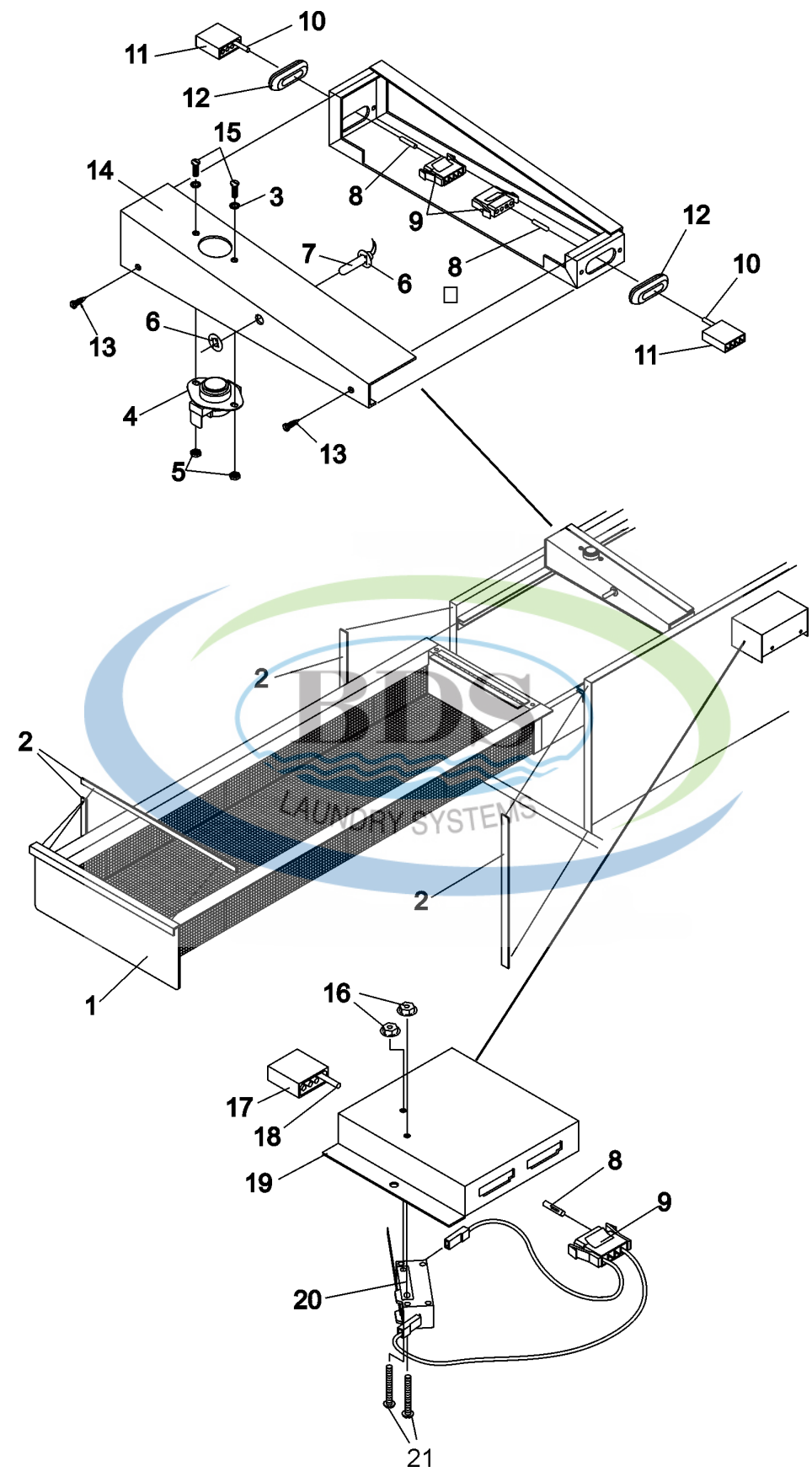


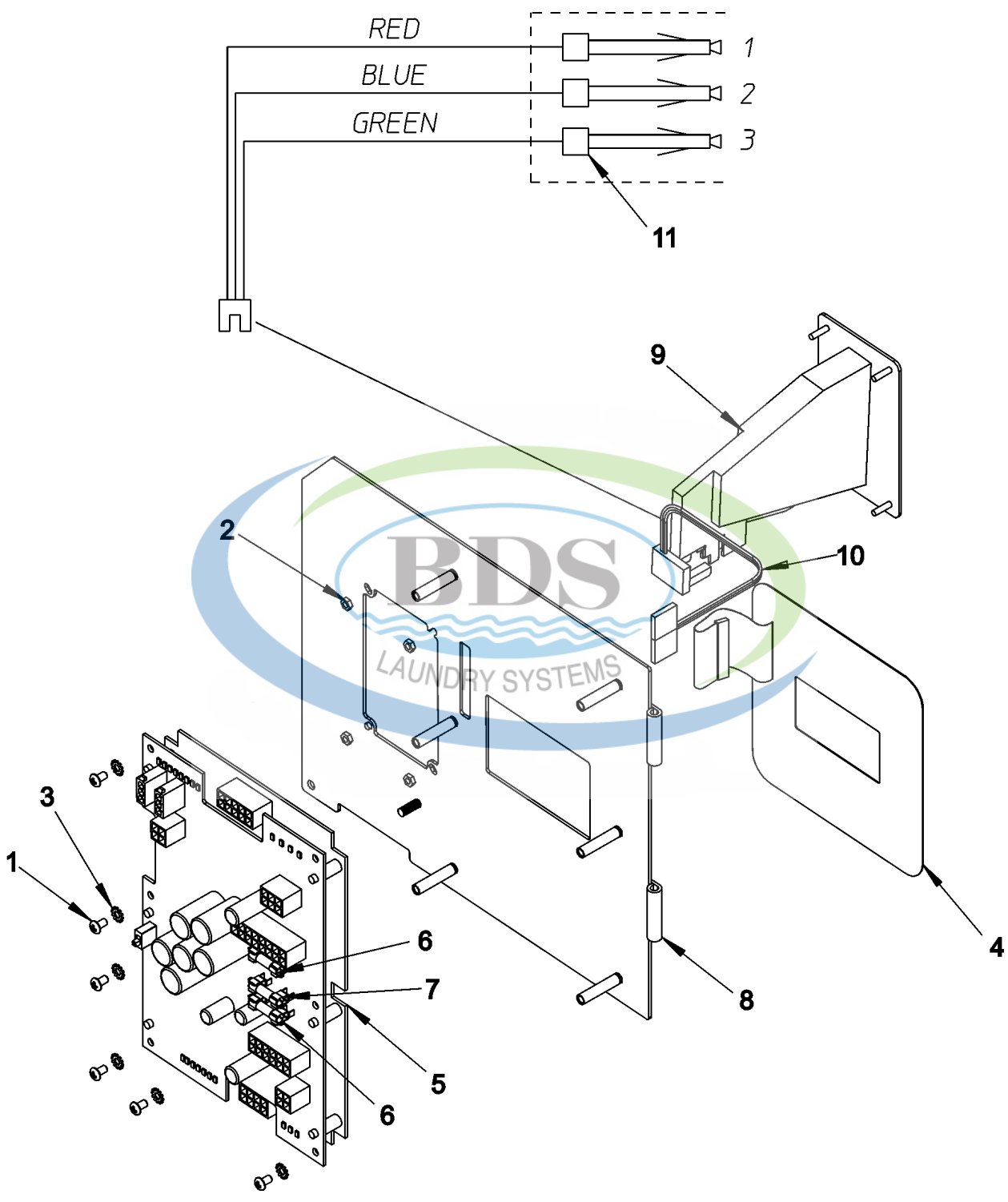
Ref #	Part Number	Qty.	Description
1	883768	-	CONTROL DOOR, ASSY WHT
1	883769	-	CONTROL DOOR, ASSY BSQ
1	883771	1	CONTROL DOOR, ASSY SS
2	117603	5	TAPE, SUPPRESSOR
3	160040	1	LOCK ASSY.
4	160140	5	KEY ONLY, HI SEC LOCK (XX4451)
5	883980	-	LINT DOOR, ASSY BSQ
5	883981	1	LINT DOOR, ASSY WHT
6	150314	2	TORX & BIN HD MACHINE SCREW
6	400505	1	TORX BIT
7	154011	2	MULTI-THREAD U-NUT
8	883369	1	TRIM, BLK
9	150319	2	SCREW, BLK 10-32 X 1/2
10	117604	3	TAPE, FOAM (SOLD IN FEET)





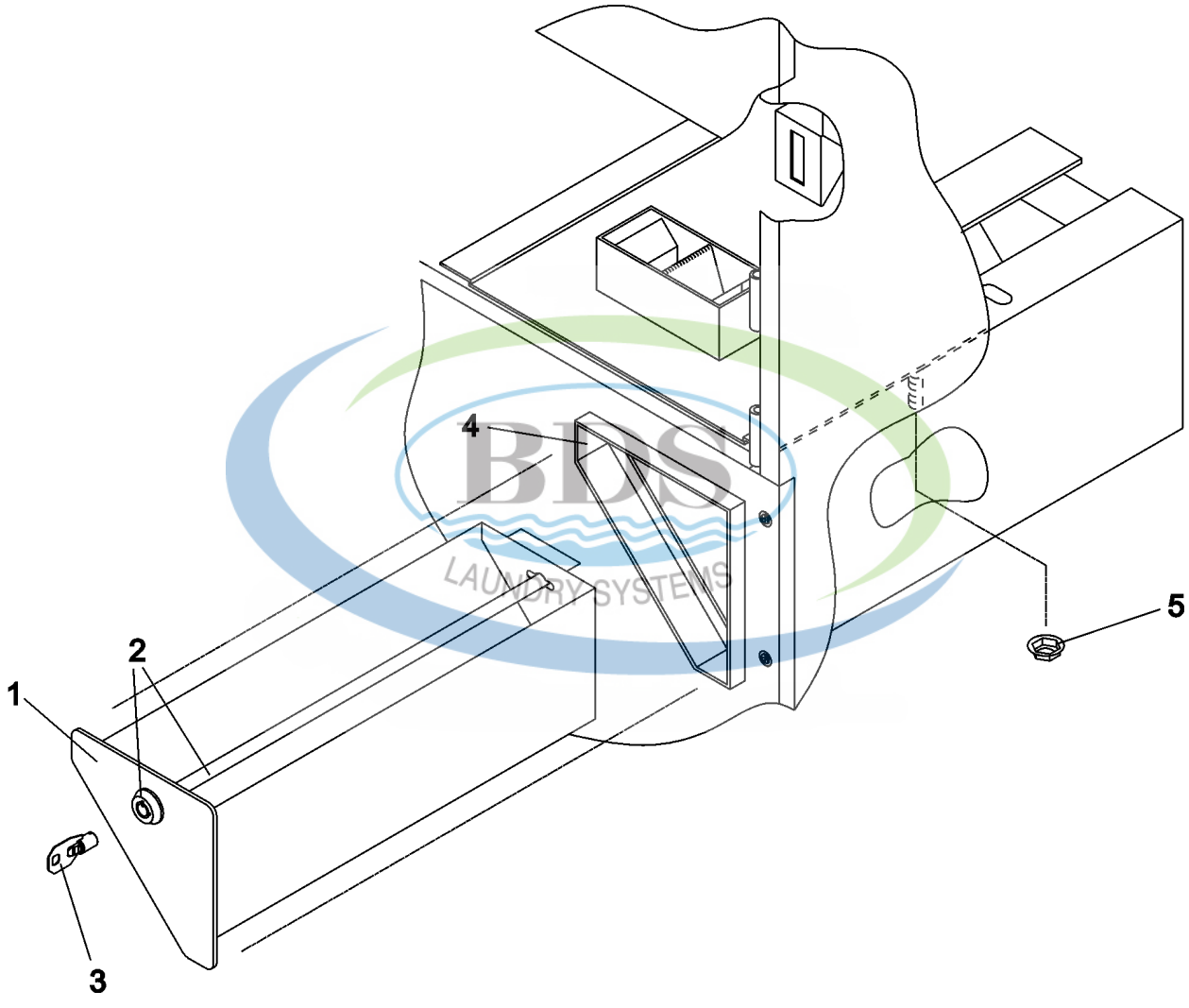
Ref #	Part Number	Qty.	Description
1	883982	1	LINT DRAWER ASSY, BLK
1	883983	-	LINT DRAWER ASSY, BSQ
1	883984	-	LINT DRAWER ASSY, WHT
2	117604	3	TAPE, FOAM (SOLD IN FEET)
3	153010	2	WASHER, STAR (No.6)
4	130106	1	170 DEGREE LARG THERMOSTAT
5	152013	2	NUT, HEX (No.6-32)
6	154007	2	FASTENER, PUSH-ON (1/4``)
7	880111	1	PROBE, TEMPERATURE SENSOR
8	122701	8	TERMINAL, SOCKET (ONLY)
9	122605	2	CONNECTOR, 4-PIN SOCKET
10	122700	8	TERMINAL, PIN
11	122604	2	CONNECTOR (4 PIN)
11	122801	1	TOOL, EXTRACTION (PIN/SOCKET)
12	121405	2	GROMMET, RUBBER
13	150301	2	SCREW, TEK (No.8-18 X 7/16 PH
14	801409	1	TEMP. SENSOR BRACKET ASSY COMP
15	150000	2	SCREW, MACHINE (RD.HD. SLOT)





Ref #	Part Number	Qty.	Description
1	150005	6	SCREW, PHILL (6-32 X 1/4``)RND
2	152102	4	M3 METRIC HEX NUT
3	153010	6	WASHER, STAR (No.6)
4	112583	1	PHASE 7 COIN DMC KEYPAD
5	137260	1	PHASE 7 DUAL COIN BOARD
6	136111	2	5-AMP FUSE
7	136115	1	3/4-AMP FUSE
8	853169	1	PHASE 7 COIN METER PANEL
9	852317	1	COIN ACCEPT W/OPTIC SWITCH
10	883774	1	SWITCH, OPTIC
11	122633	1	CONNECTOR, 3-PIN
11	122691	3	FEMALE TERMINAL

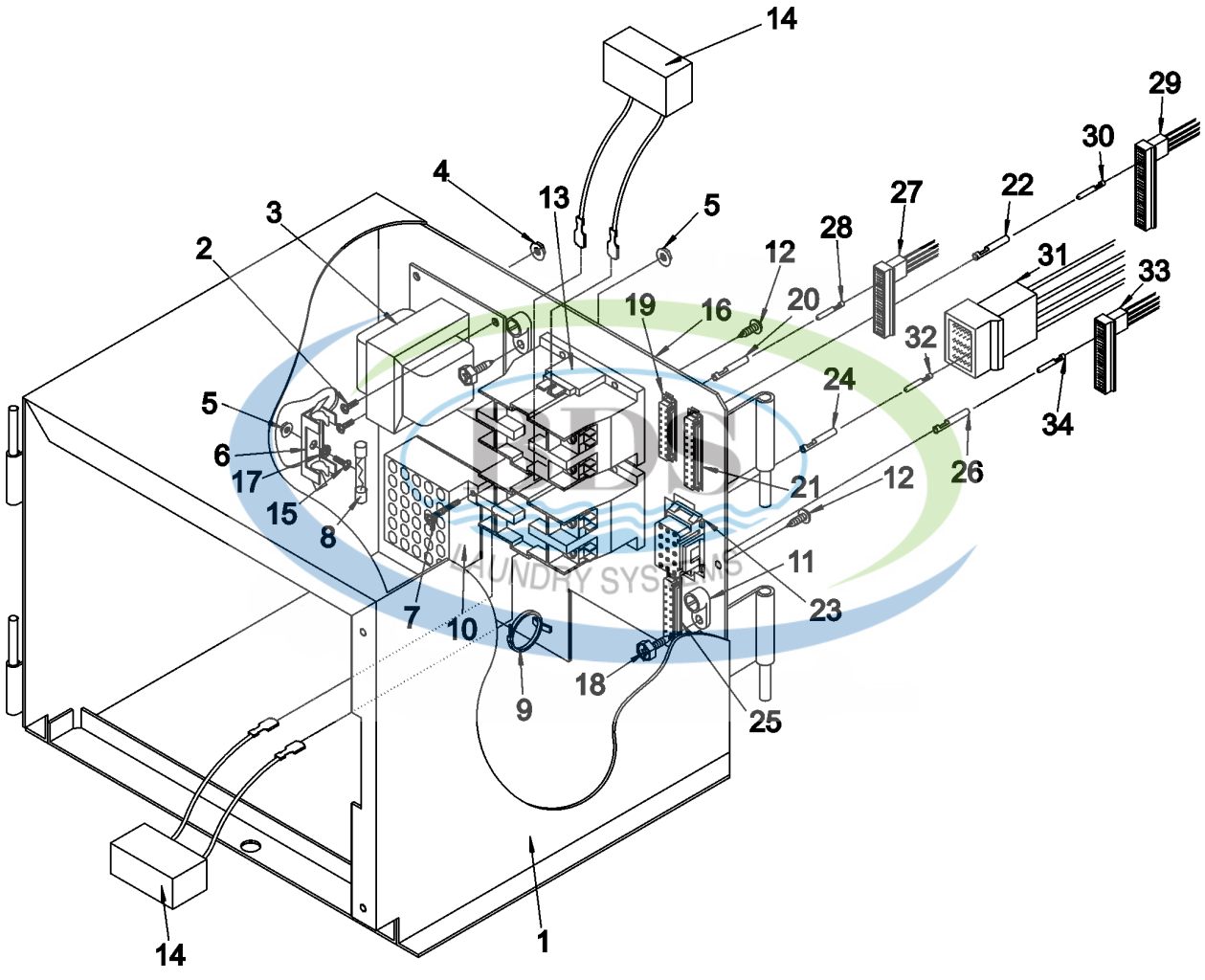




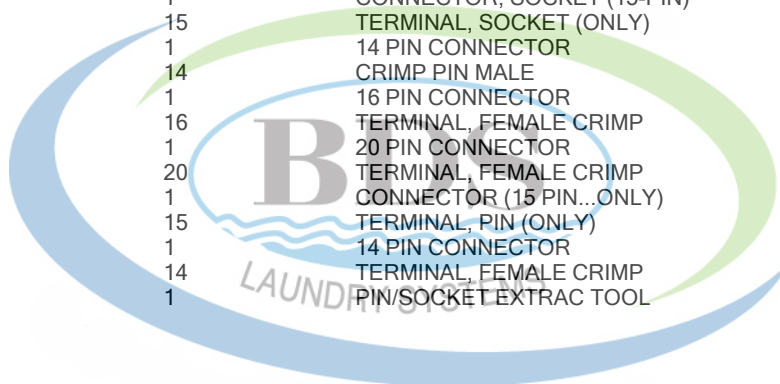
Ref #	Part Number	Qty.	Description
1	883347	1	BOX, COIN W/BLK FACE PLT
1	883348	1	FACE PLATE, BLK
1	883393	1	DEBIT CARD/OPL FACEPLATE
2	160036	1	LOCK ASSY. W/KEY SPECIFY KEY NUMBER WHEN
3	160136	1	KEY SPECIFY KEY NUMBER WHEN
4	883382	1	COIN VAULT, BLK
5	152014	4	NUT, FREE SPIN WASH (No.20-1/4)

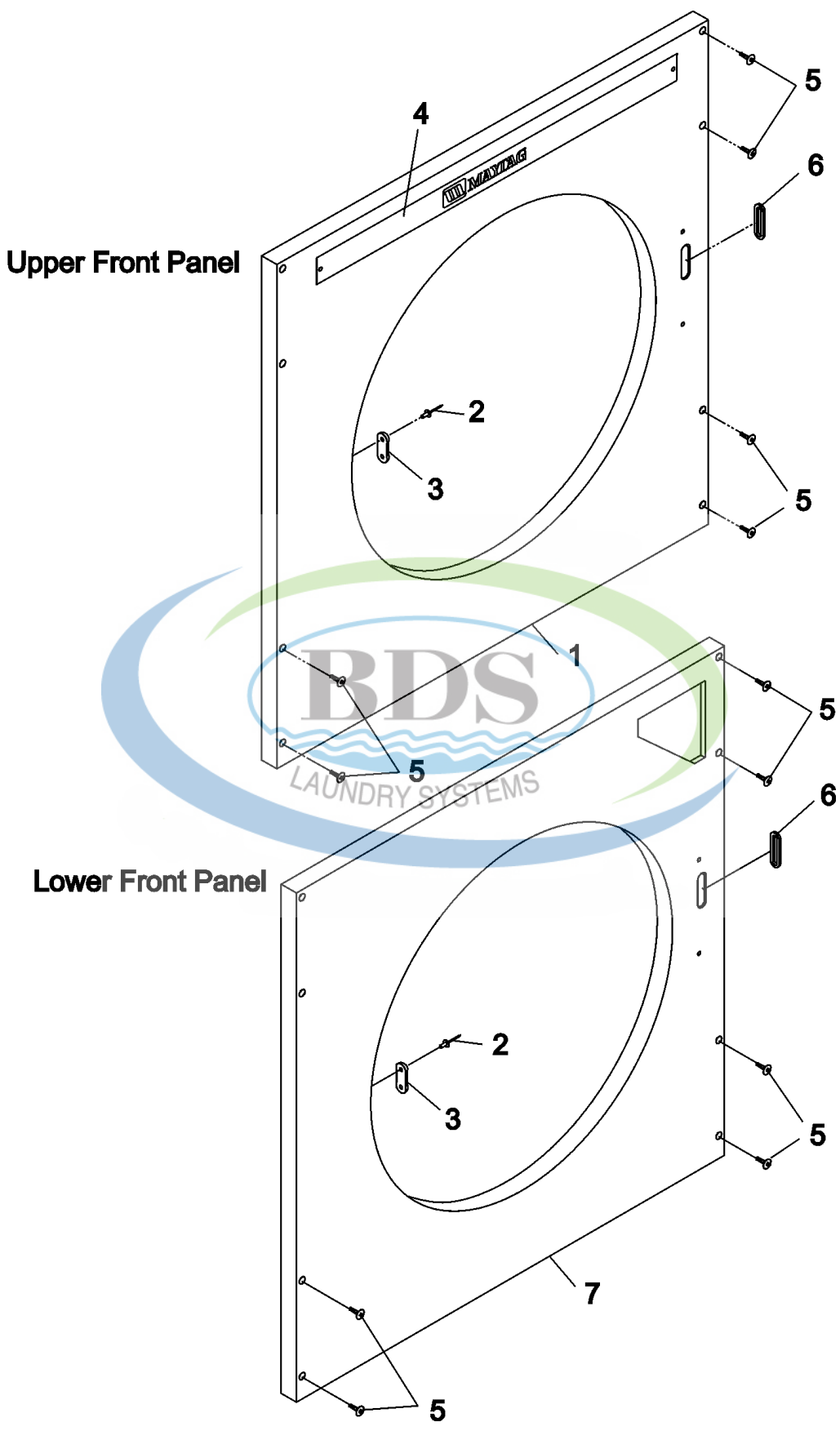






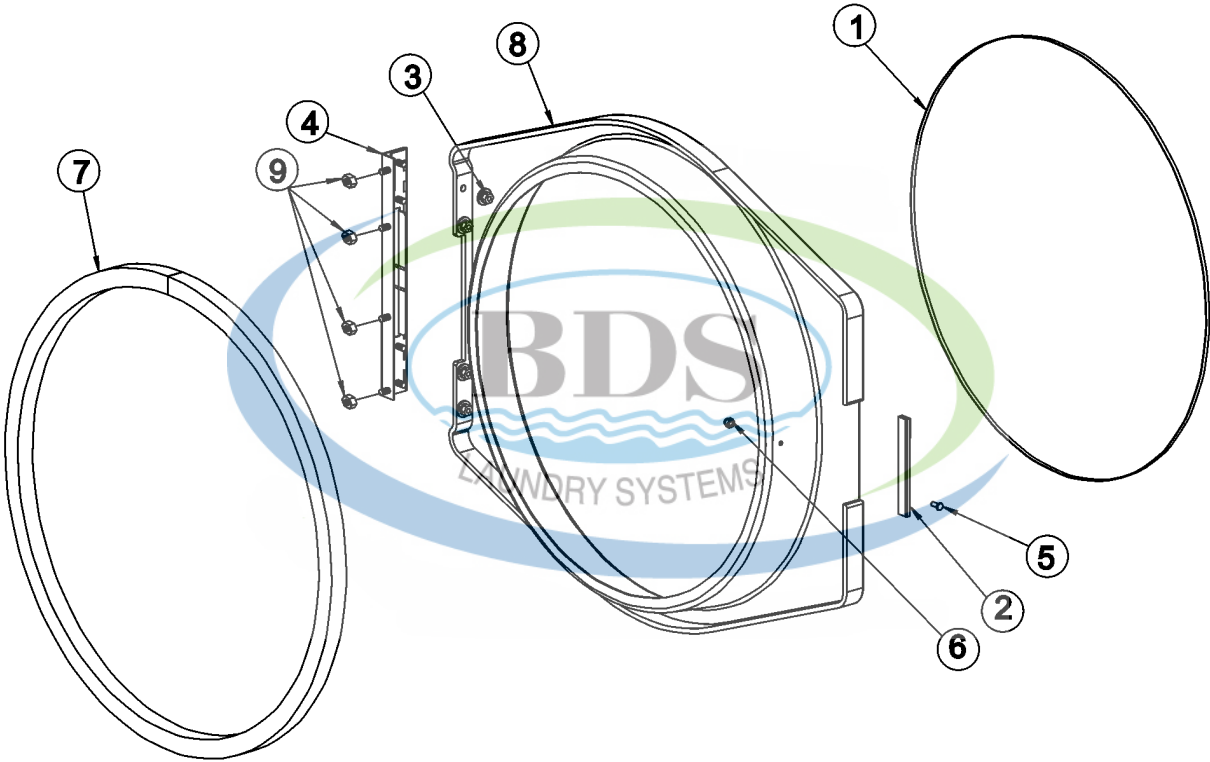
Ref #	Part Number	Qty.	Description
1	850911	1	ELEC BOX ONLY
1	852326	1	ELEC BOX COMPLETE
2	150108	2	SCREW, MACHINE
3	852333	1	TRANSFORMER (24 VAC)
4	151001	2	NUT, PAL (No.8-32)
5	151000	3	PAL NUT (No.6-32)
6	136008	1	STRIP, FUSE BLOCK (ONLY)
7	150002	2	SCREW, MACHINE (RD.HD.)
8	136049	1	FUSE, 3/4-AMP SLO-BLO
8	136057	1	FUSE, 1/2-AMP SLO-BLO
9	121494	10	TIE, WIRE (PUSH MOUNT)
10	120715	1	BLOCK, TERMINAL (30-POSITION)
11	121010	2	LUG, GROUND (L-70)
12	150309	2	SCREW, CRIMPTITE
13	132498	2	CONTACTOR
14	824828	2	RC NETWORK W/CONNECTOR
15	150001	1	SCREW, MACHINE (No.6-32 X 1/2`)
16	315023	1	E-BOX BACK (COIN)
17	153010	1	WASHER, STAR (No.6)
18	120910	2	GREEN GRD SCREW
19	122689	1	16 PIN CONNECTOR
20	182363	16	CRIMP PIN MALE
21	122687	1	20 PIN CONNECTOR
22	182363	20	CRIMP PIN MALE
23	122626	1	CONNECTOR, SOCKET (15-PIN)
24	122705	15	TERMINAL, SOCKET (ONLY)
25	122685	1	14 PIN CONNECTOR
26	182363	14	CRIMP PIN MALE
27	122667	1	16 PIN CONNECTOR
28	122669	16	TERMINAL, FEMALE CRIMP
29	122668	1	20 PIN CONNECTOR
30	122669	20	TERMINAL, FEMALE CRIMP
31	122625	1	CONNECTOR (15 PIN...ONLY)
32	122704	15	TERMINAL, PIN (ONLY)
33	122686	1	14 PIN CONNECTOR
34	122669	14	TERMINAL, FEMALE CRIMP
35	122672	1	PIN/SOCKET EXTRAC TOOL





Ref #	Part Number	Qty.	Description
1	883370	1	FRONT PANEL, UPPER SS
1	883373	-	FRONT PANEL, UPPER WHR
1	883374	-	FRONT PANEL, UPPER BSQ
2	154215	4	RIVET, POP (5/32")
3	881987	2	FRICTION DOOR LATCH KIT
4	801095	1	MAYTAG LOGO TRIM
5	150313	16	SCREW
5	400505	1	TORX BIT
6	121405	2	GROMMET, RUBBER
7	883371	-	FRONT PANEL, LOWER WHT
7	883372	-	FRONT PANEL, LOWER BSQ
7	883488	1	FRONT PANEL, LOWER SS

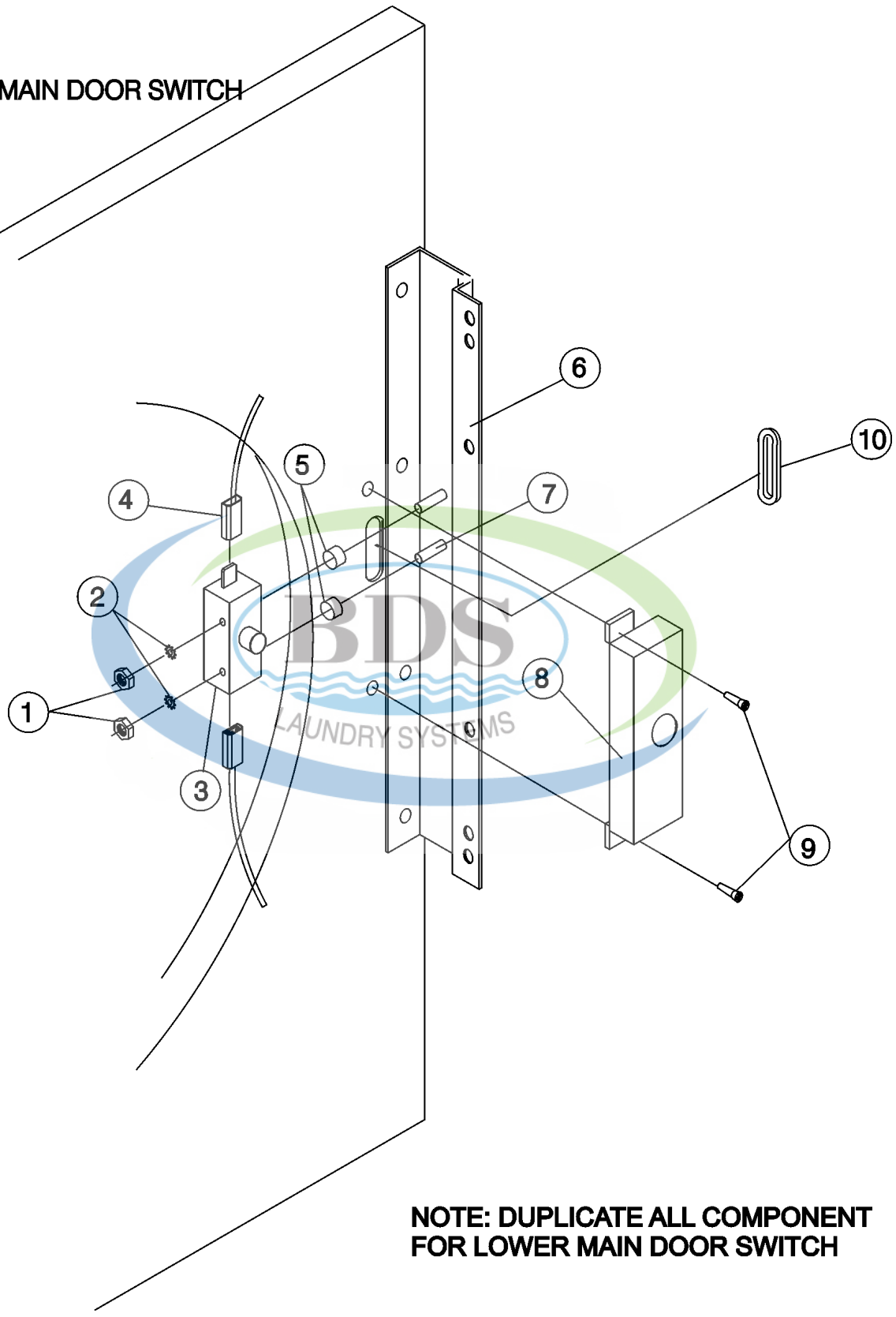




Ref #	Part Number	Qty.	Description
1	102210	1	GLASS, DOOR (20-7/16`` ONLY)
2	102328	1	HANDLE EDGE
3	152014	4	NUT, FREE SPIN WASH (No.20-1/4)
4	814756	1	BLACK DOOR HINGE
5	150120	1	LATCH SCREW
6	151010	1	BLACK ACORN NUT
7	102349	4	GASKET, DOOR
8	882991	4	BLACK MAIN DOOR ASSY.
9	152014	4	NUT, FREE SPIN WASH (No.20-1/4)



UPPER MAIN DOOR SWITCH



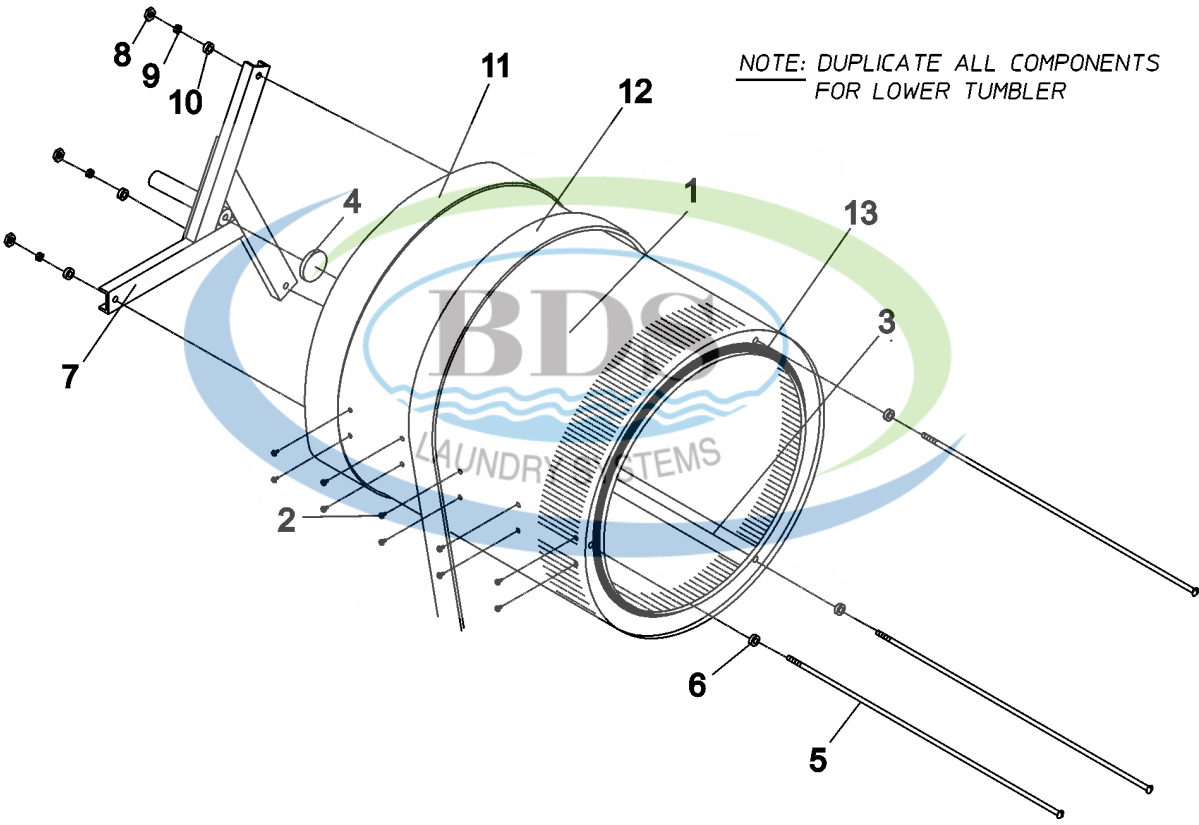
**NOTE: DUPLICATE ALL COMPONENT FOR LOWER MAIN DOOR SWITCH**

Ref #	Part Number	Qty.	Description
1	152013	1	NUT, HEX (No.6-32)
2	153008	2	WASHER, SPLIT LOCK (No.6)
3	137005	1	SWITCH, DOOR (SINGLE POLE)
4	121028	2	TERMINAL, 1/4`` INSUL. (FEMALE)
5	154281	2	SPACER, NYLON (3/8``)
6	801524	1	BLACK DOOR HINGE
7	153565	2	STUD, SELF-CLINCHING (No.6-32X1)
8	881246	1	HOUSING, DOOR SWITCH
9	150201	2	SCREW, MACHINE (No.10-32 X 1/4``)
10	121405	1	GROMMET, RUBBER





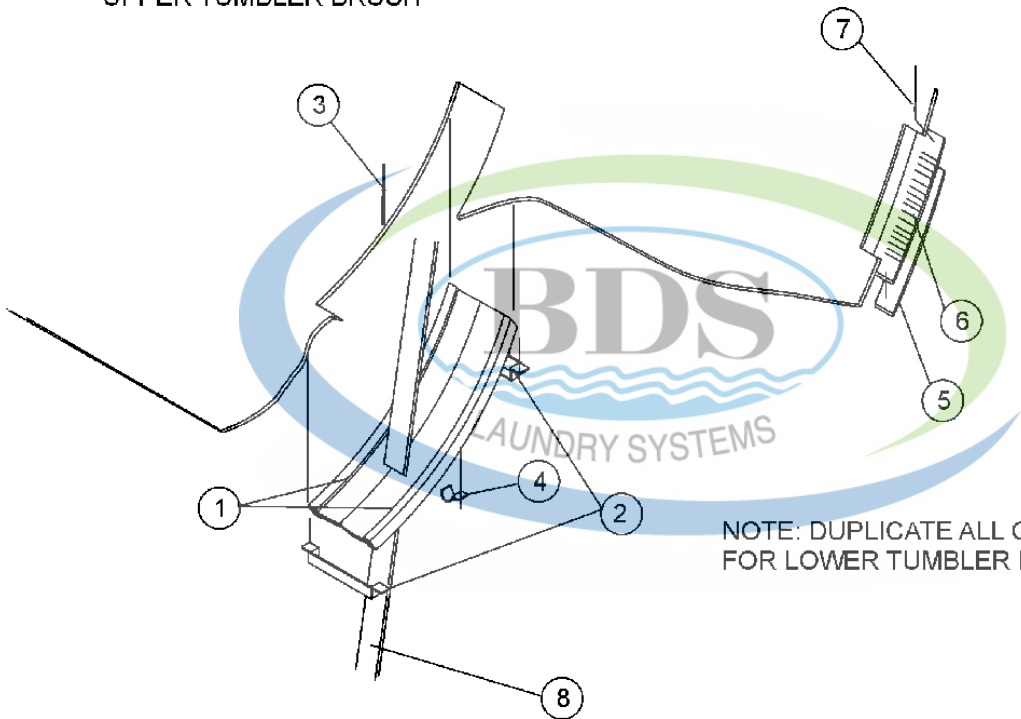
UPPER TUMBLER / SUPPORT



Ref #	Part Number	Qty.	Description
1	800722	1	TUMBLER
1	800832	1	TUMBLER & SUPPORT ASSY.
1	800842	1	S.S.TUMBLER
1	800892	1	S.S. TUMBLER & SUPPORT ASSY.
2	150313	30	SCREW
3	301315	2	RIB, SHORT TAPERED
3	301316	1	RIB, TALL TAPERED
3	301414	2	S.S. SHORT TUMBLER RIB
3	301415	1	S.S. TALL TUMBLER RIB
4	115986	1	PAD, FELT TUMBLER 1/4X2
5	100915	3	ROD, TIE (3/8``X 31``)
6	153004	3	WASHER, FLAT (3/8``)
7	850066	1	BASKET SUPPORT ONLY
8	152027	3	3/8 NYLON LOCKNUT
9	153005	3	WASHER, LOCK (3/8``)
10	153004	3	WASHER, FLAT (3/8``)
11	116003	1	COLLAR, FELT
11	401010	1	ADHESIVE, FELT COLLAR No.847
12	100173	1	12 - RUB 95`` BELT
13	115992	1	FELT COLLAR
13	401010	1	ADHESIVE, FELT COLLAR No.847



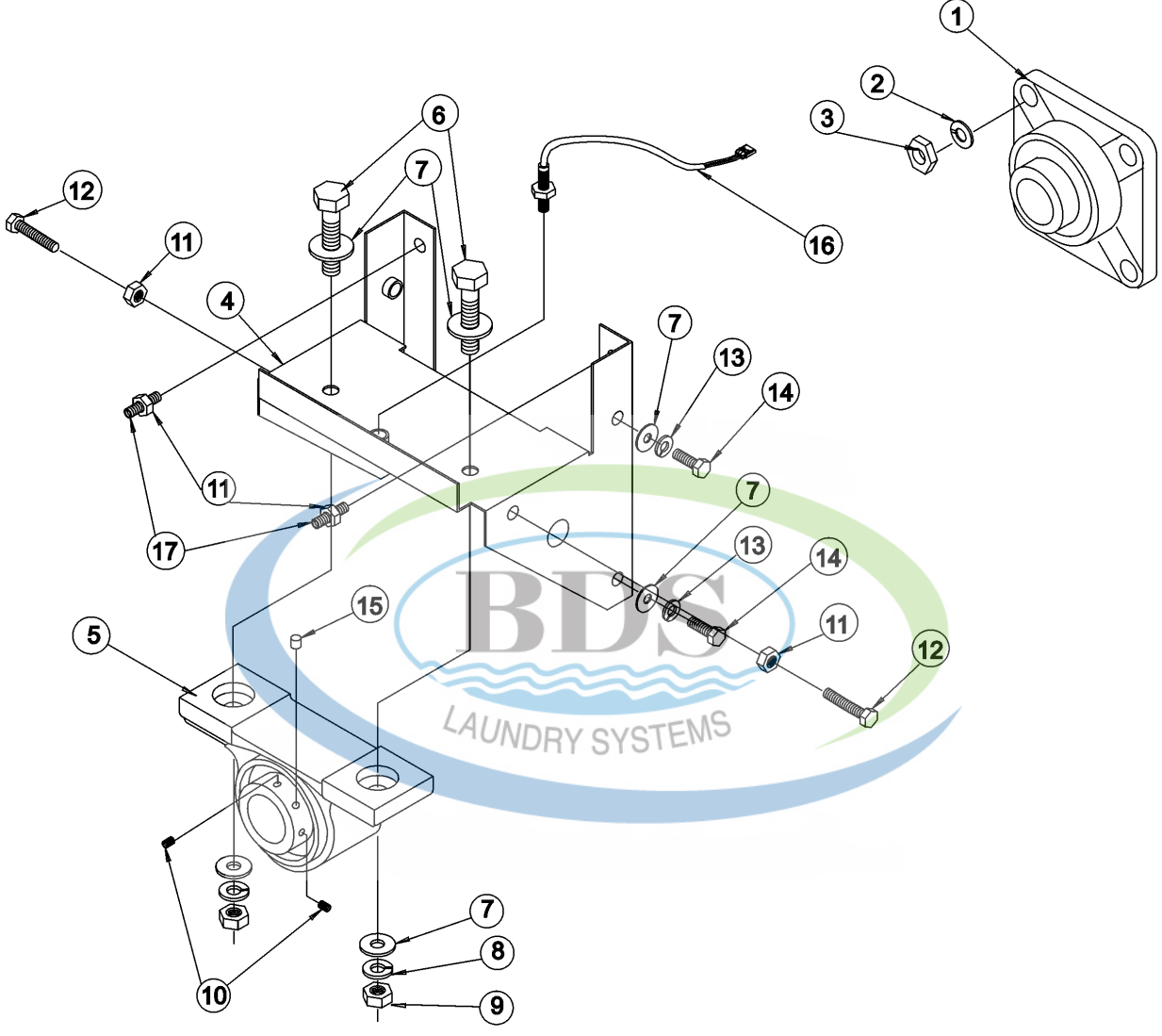
UPPER TUMBLER BRUSH



NOTE: DUPLICATE ALL COMPONENTS FOR LOWER TUMBLER BRUSH ASSEMBLY

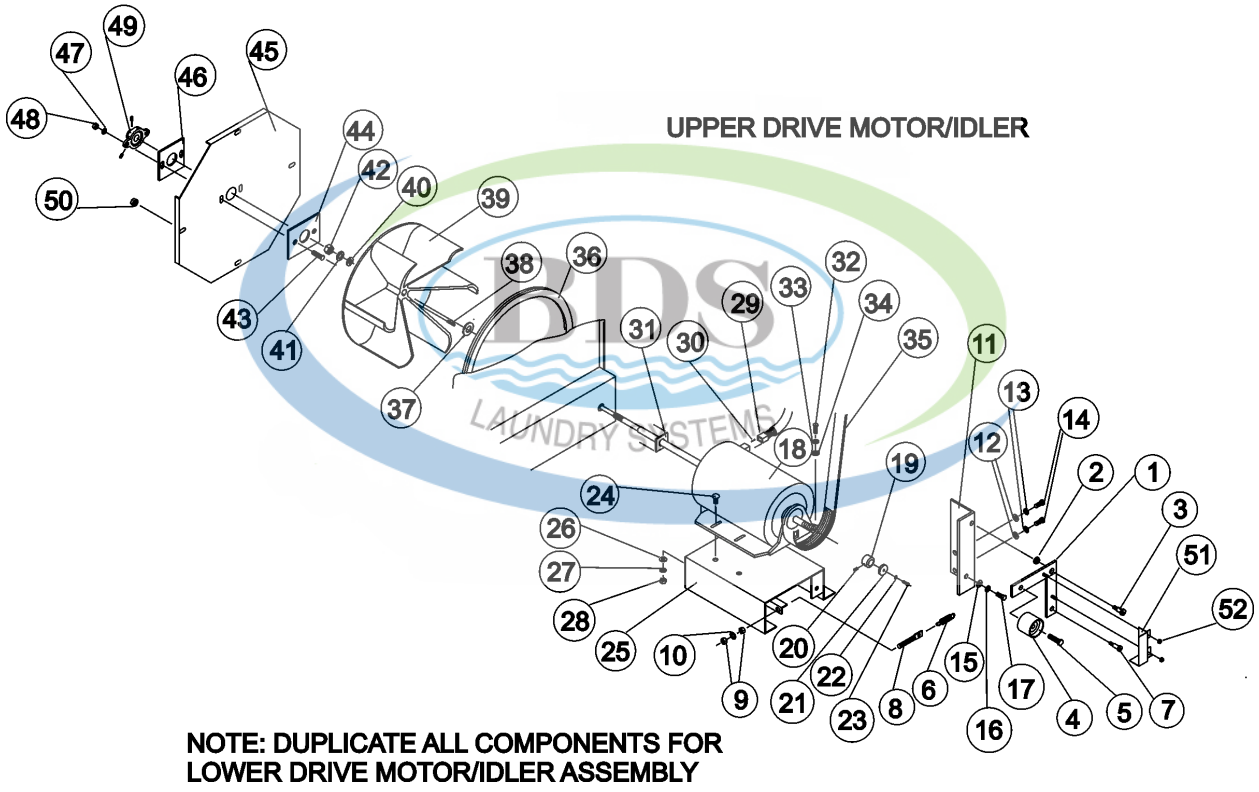
Ref #	Part Number	Qty.	Description
1	170198	2	DRIVE BELT SEALING BRUSH
2	317656	2	SEALING BRUSH CLIP END
3	154210	6	5/32" X 3/16" POP RIVET
4	120117	2	3/8" EMT HANGER
5	317651	1	WRAPPER GASKET STRIP
6	102325	1	8 1/2" X 1 1/2" WRAPPER GASKET
7	154210	2	5/32" X 3/16" POP RIVET
8	100173	1	12 - RUB 95" BELT





Ref #	Part Number	Qty.	Description
1	880203	1	BEARING, FLANGE W/SET SCREW
2	153005	4	WASHER, LOCK (3/8``)
3	152005	4	NUT, HEX (No.16-3/8``)
4	882543	1	BEARING SUPPORT ONLY
4	882545	1	BEARING ASSEMBLY COMPLETE
5	880779	1	BEARING, PILLOW BLOCK W/SENSOR
6	150601	2	BOLT, MACHINE
7	153004	8	WASHER, FLAT (3/8``)
8	153005	2	WASHER, LOCK (3/8``)
9	152005	2	NUT, HEX (No.16-3/8``)
10	154321	2	5/16-24X3/8 SETSCREW
11	152004	4	NUT, HEX (No.18-5/16)
12	150621	2	BOLT, MACHINE (No.18-5/16X1 1/2)
13	153002	4	WASHER, LOCK (5/16``)
14	150501	4	BOLT, MACHINE (No.18-5/16 X 3/4)
15	102120	1	SINTERED 8 MAGNET
16	822735	1	SENSOR ASSY. (ROTATIONAL)
17	150610	2	SCREW, SET (No.18-5/16`` X 1 1/2)





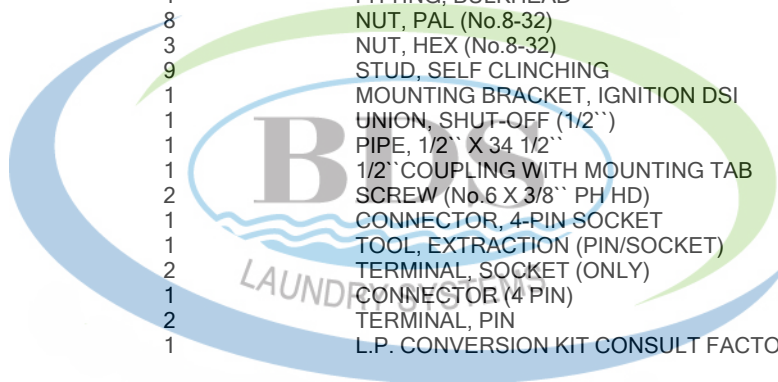
Ref #	Part Number	Qty.	Description
1	801019	1	UPPER & LOWER IDLER ARM ASSY
1	882910	1	UPPER & LOWER IDLER ARM
2	121350	1	12/32 X 3/8`` I.D. BRONZE
3	154277	1	5/16 X 3/8`` SHOULDER BOLT
4	100250	1	BACK SIDE IDLER ASSEMBLY
5	150600	1	BOLT, MACHINE (No.16-3/8 X 11/2)
6	157010	1	1-7/8`` EXTENSION SPRING
7	154276	1	1/4-20X5/8`` SHOULDER BOLT
8	154275	1	3/8-16X3 3/8`` SPADE BOLT
9	152005	2	NUT, HEX (No.16-3/8``)
10	153005	1	WASHER, LOCK (3/8``)
11	850135	1	IDLER ANGLE
12	153001	2	WASHER, FLAT (5/16``)
13	153002	2	WASHER, LOCK (5/16``)
14	150501	2	BOLT, MACHINE (No.18-5/16 X 3/4)
15	153001	2	WASHER, FLAT (5/16``)
16	153002	2	WASHER, LOCK (5/16``)
17	150501	2	BOLT, MACHINE (No.18-5/16 X 3/4)
18	100064	1	NON-VENT MOTOR W` PLUG 60HZ
19	101097	1	REAR MOTOR SHAFT BUSHING
20	154327	1	1/4-20X3/8`` SOCKET SETSCREW
21	101096	1	FRONT MOTOR SHAFT BUSHING
22	153024	1	No.10 LOCK WASHER
23	150216	1	No.10 LEFT HAND RND HEAD SCREW
24	154279	4	5/16-18X3/4`` CARRIAGE BOLT
25	800917	1	MOTOR MOUNT
25	803918	1	MOTOR MOUNT ASSEMBLY COMPLETE
26	153001	4	WASHER, FLAT (5/16``)
27	153002	4	WASHER, LOCK (5/16``)
28	152004	4	NUT, HEX (No.18-5/16)
29	137030	1	HOUSING (8 PIN)
30	122701	8	TERMINAL, SOCKET (ONLY)
30	122801	1	TOOL, EXTRACTION (PIN/SOCKET)
31	116010	1	FELT MOTOR SEAL
32	150501	4	BOLT, MACHINE (No.18-5/16 X 3/4)
33	153002	4	WASHER, LOCK (5/16``)
34	153001	4	WASHER, FLAT (5/16``)
35	100173	1	12 - RUB 95`` BELT
36	117604	3	TAPE, FOAM (SOLD IN FEET)
37	153054	1	MOTOR WASHER (50HZ MODELS)
38	100705	1	KEY (3/16`` X 3/16`` X 1-3/8``)
39	802831	1	12-1/2`` IMPELLOR WITH 3/4`` BORE
40	153051	1	WASHER, FLAT (3/4`` S.A.E.)
41	153040	1	3/4`` LOCK WASHER (60 HZ MDLS)
42	152025	1	3/4-16 JAM NUT (60 HZ MDLS)
43	153525	2	STUD, SELF CLINCHING
44	850132	1	BEARING BACKUP PLATE
44	852104	1	BEARING BACKUP PLATE ASSY.
45	880885	1	IMPELLOR COVER
46	116011	1	BEARING FELT SEAL
47	153007	2	WASHER, LOCK (1/4``)
48	152002	2	HEX NUT (No.20-1/4``)
49	880225	1	1/2`` FLANGE BEARING
50	152014	4	NUT, FREE SPIN WASH (No.20-1/4)
51	314423	1	BELT GUARD
52	154277	2	5/16 X 3/8`` SHOULDER BOLT







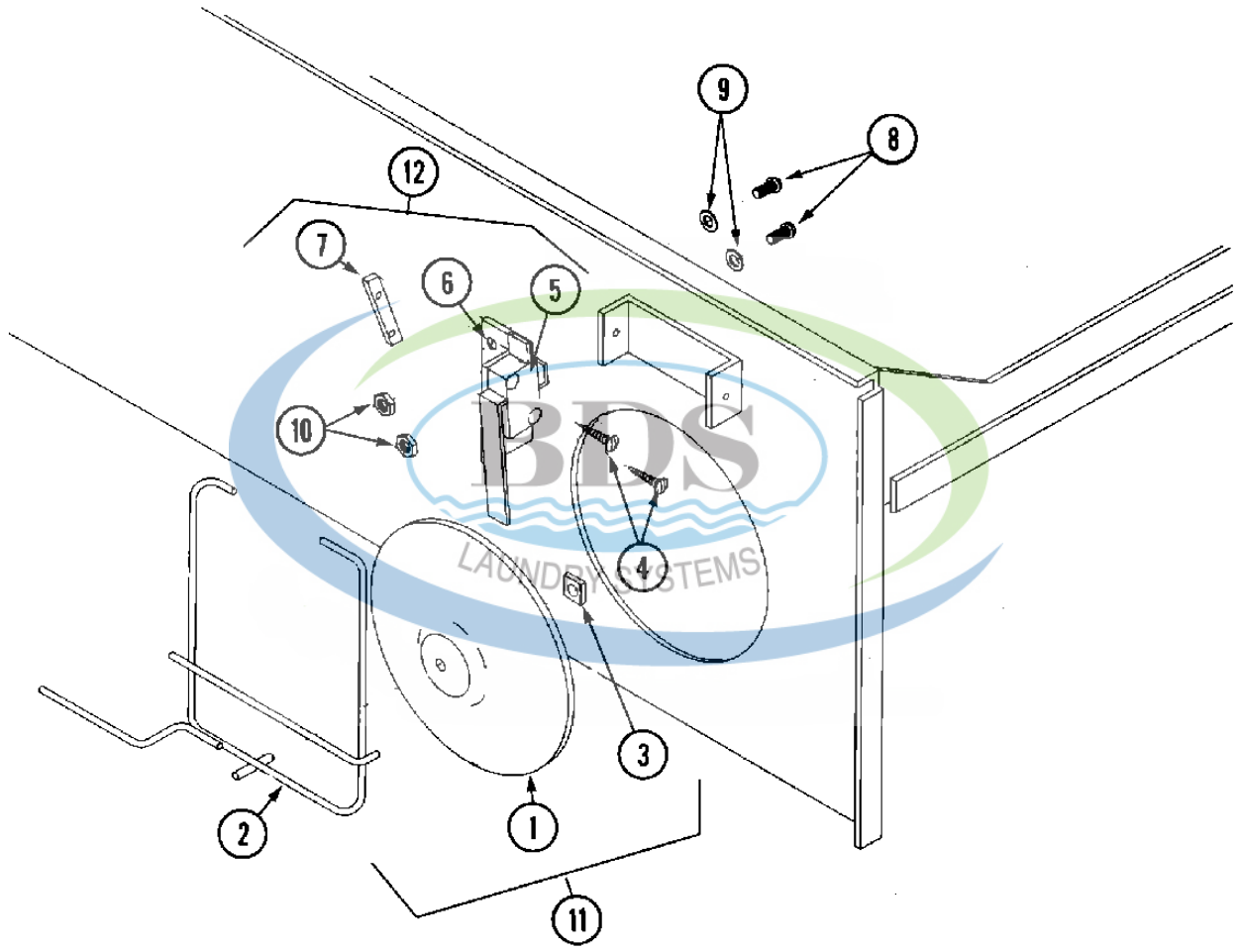
Ref #	Part Number	Qty.	Description
1	141130	1	TUBE, BURNER W/SHUTTER
2	128917	1	IGNITER W/LEAD
3	128918	1	SENSOR, FLAME
4	318009	1	BRACKET, BURNER TUBE (PSE)
5	140810	1	ORIFICE, BURNER (LP No.42) CONSULT FACTORY ELEV OV...
5	140856	1	ORIFICE, BURNER (NAT No.23) CONSULT FACTORY ELEV O...
6	141225	1	MANIFOLD, SINGLE PORT
7	318700	1	BRACKET, PIPE (BENT)
8	319522	1	VALVE, GAS TRAIN ASSEMBLY
8	882721	1	DIRECT SPARK IGNITION NAT ORIFICE NOT INCLUDED
8	882722	1	DIRECT SPARK IGNITION LP GAS ORIFICE NOT INCLUDED
9	318711	1	BRACKET, NOTCHED PIPE
10	883849	1	MODULE, DIRECT SPARK ING
11	152013	2	NUT, HEX (No.6-32)
12	121300	2	BUSHING, OPEN/CLOSED
13	150301	2	SCREW, TEK (No.8-18 X 7/16 PH
14	121491	3	CLAMP (5/8``)
15	121492	3	CLAMP, NYLON (3/16``)
16	887284	1	VALVE, REDUNDANT (1/2`` 24VAC)
16	880960	1	VALVE,GAS 1/2`` 24 VAC,(LP)
17	142506	1	ELBOW, STREET (1/2`` X 1/2``)
18	318712	1	BRACKET, GAS VALVE PIPE
19	882157	1	1/4`` ALUMINUM (12`` LENGTH)
20	143203	1	ADAPTER, LINE (90 DEG.)
21	143259	1	FITTING, BULKHEAD
22	151001	8	NUT, PAL (No.8-32)
23	152001	3	NUT, HEX (No.8-32)
24	153528	9	STUD, SELF CLINCHING
25	815974	1	MOUNTING BRACKET, IGNITION DSI
26	881367	1	UNION, SHUT-OFF (1/2``)
27	142805	1	PIPE, 1/2`` X 34 1/2``
28	142934	1	1/2`` COUPLING WITH MOUNTING TAB
29	150315	2	SCREW (No.6 X 3/8`` PH HD)
30	122605	1	CONNECTOR, 4-PIN SOCKET
30	122801	1	TOOL, EXTRACTION (PIN/SOCKET)
31	122701	2	TERMINAL, SOCKET (ONLY)
32	122604	1	CONNECTOR (4 PIN)
33	122700	2	TERMINAL, PIN
34	883278	1	L.P. CONVERSION KIT CONSULT FACTORY FOR ELEVATONS





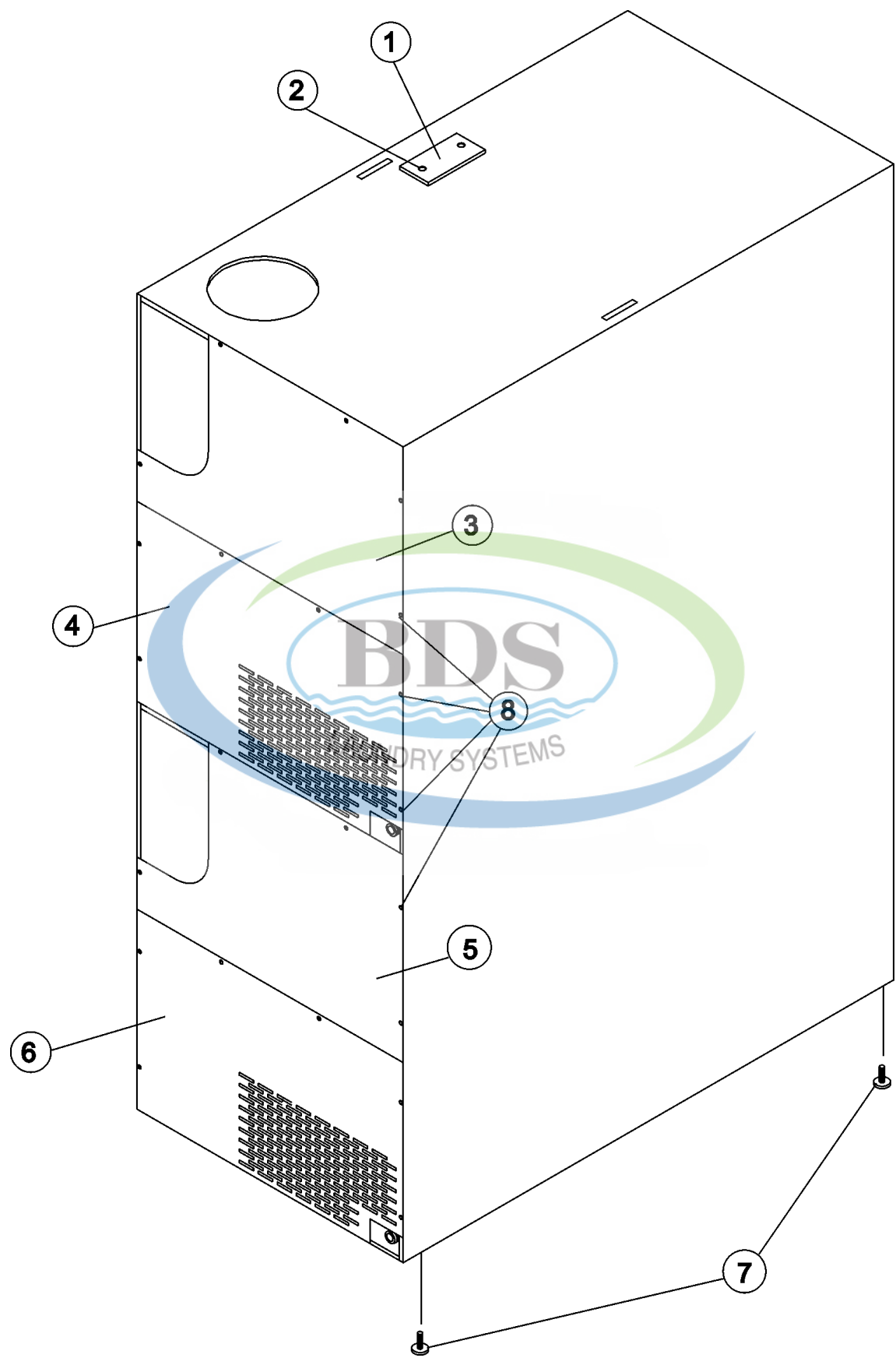
Ref #	Part Number	Qty.	Description
1	881367	1	UNION, SHUT-OFF (1/2``)
2	142805	1	PIPE, 1/2`` X 34 1/2``
2	142809	1	PIPE (1/2`` X 29 1/8``)
3	318700	1	BRACKET, PIPE (BENT)
4	150300	2	SCREW (No.10-32 X 1/2`` PH ROUND
5	130403	1	THERMOSTAT (330 DEGREE)
6	150300	2	SCREW (No.10-32 X 1/2`` PH ROUND
7	150309	8	SCREW, CRIMPTITE
8	130403	1	THERMOSTAT (330 DEGREE)
9	150300	2	SCREW (No.10-32 X 1/2`` PH ROUND
10	881367	1	UNION, SHUT-OFF (1/2``)
11	142805	1	PIPE, 1/2`` X 34 1/2``
12	318700	1	BRACKET, PIPE (BENT)
13	150300	2	SCREW (No.10-32 X 1/2`` PH ROUND
14	850742	2	BURNER BOX W/O FLAME SPREADER
15	318048	2	FLAME SPREADER
16	802805	1	SAIL SWITCH ROD & DAMPER ASSY.





Ref #	Part Number	Qty.	Description
1	319206	1	DAMPER, SAIL SWITCH
2	105550	1	ROD, SAIL SWITCH
3	154002	1	FASTENER, PUSH-ON (1/8")
4	150303	2	SCREW (No.4 X 3/4")
5	122200	1	SWITCH, SAIL
6	319208	1	BRACKET, SAIL SWITCH
7	154004	1	NUT, TWIN SPEED
8	150001	2	SCREW, MACHINE (No.6-32 X 1/2")
9	153010	2	WASHER, STAR (No.6)
10	152000	2	NUT, HEX (No.6-32)
11	802805	1	SAIL SWITCH ROD & DAMPER ASSY.
12	802807	1	SAIL SWITCH BRACKET ASSY.

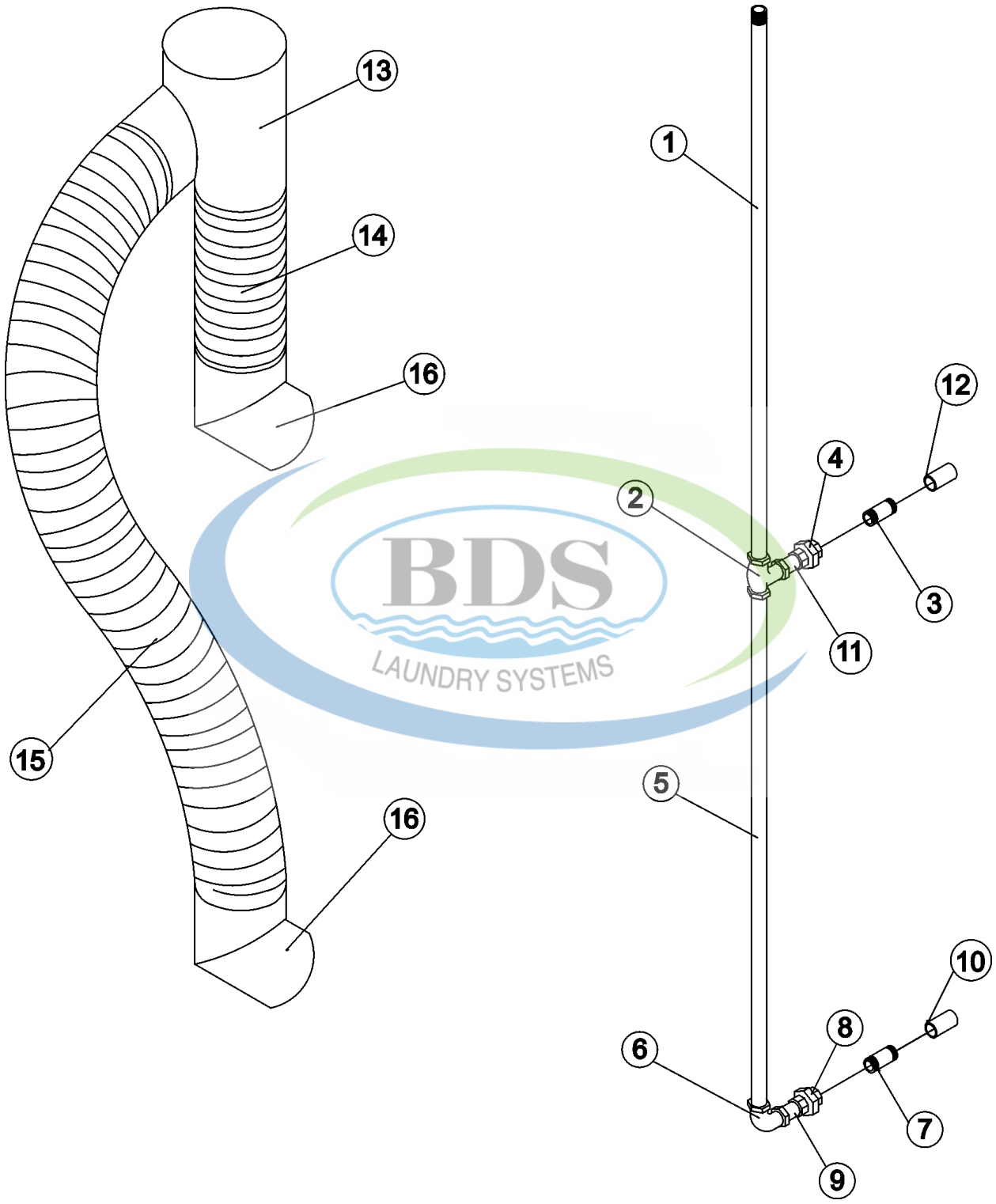




Ref #	Part Number	Qty.	Description
1	315014	1	PLATE, COVER (TOP ELEC. BOX)
2	150301	2	SCREW, TEK (No.8-18 X 7/16 PH
3	314404	1	TOP & BOTTOM UPPER GUARD
4	314405	1	TOP & BOTTOM LOWER GUARD
5	314404	1	TOP & BOTTOM UPPER GUARD
6	314405	1	TOP & BOTTOM LOWER GUARD
7	103500	4	LEG, LEVELING (ADJUSTABLE)
8	150301	22	SCREW, TEK (No.8-18 X 7/16 PH

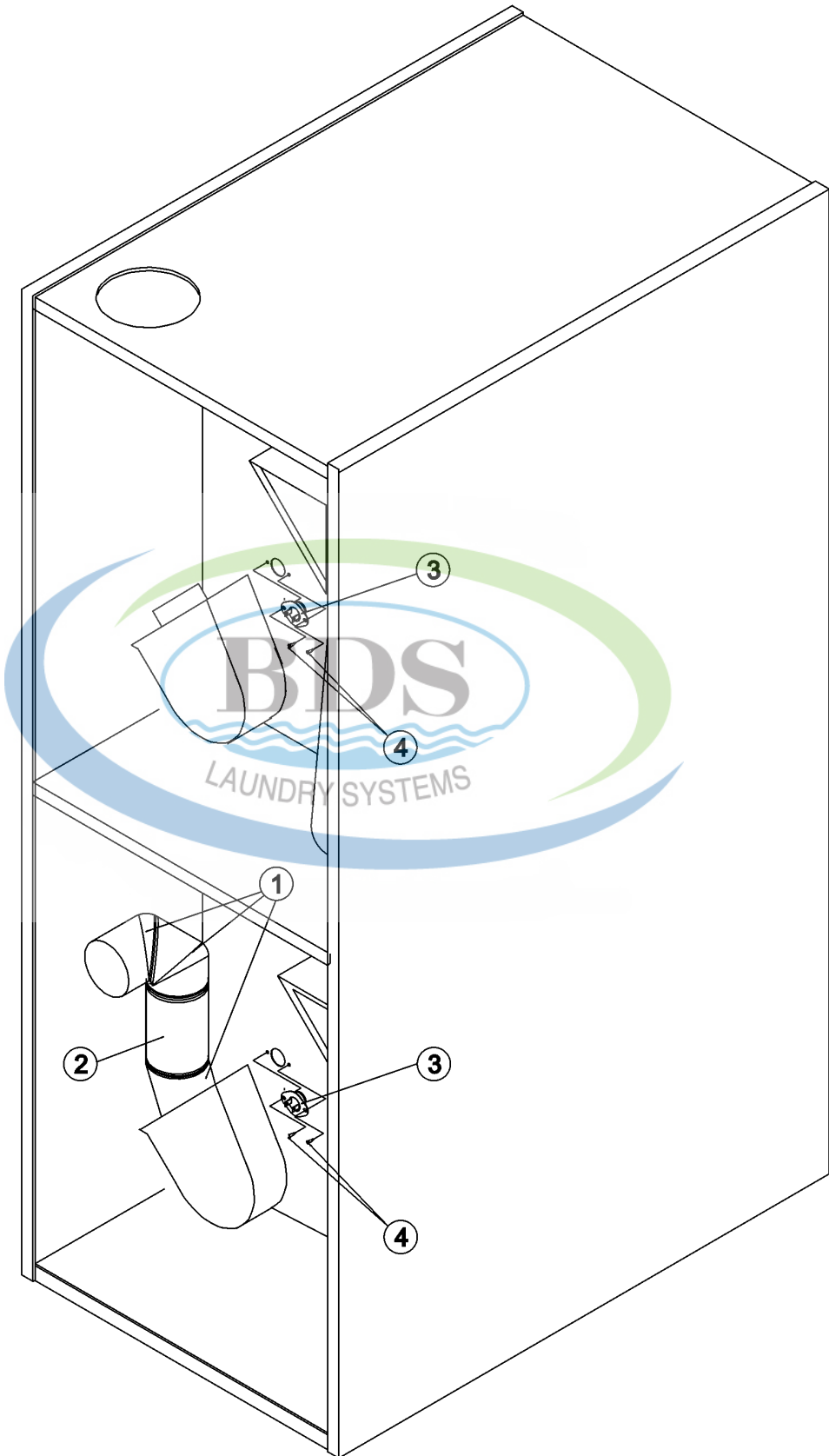






Ref #	Part Number	Qty.	Description
1	142821	1	PIPE (3/4" X 36")
1	880128	1	GAS PIPING KIT
2	142505	1	3/4" X 1/2" X 1/2" TEE
3	142814	1	1/2" X 2 1/2" MIPPLE
4	142600	1	UNION (1/2")
5	142824	1	1/2" X 37-1/2" PIPE
6	142500	1	1/2" X 90 DEGREE ELBOW
7	142814	1	1/2" X 2 1/2" MIPPLE
8	142600	1	UNION (1/2")
9	142700	1	1/2" CLOSE NIPPLE
10	143001	1	1/2" COUPLING
11	142700	1	1/2" CLOSE NIPPLE
12	143001	1	1/2" COUPLING
13	143600	1	10"X6"X6" WYE BRANCH DUCT
13	882035	1	EXHAUST DUCTING KIT
14	143519	1	FLEX EXHAUST DUCT, 4 FOOT
15	143509	1	FLEX EXHAUST DUCT, 8 FOOT
16	143536	2	ELBOW (6" ROUND X 45 DEG.)
17	117505	12	TAPE, ALUMINUM DUCT INCLUDED WITH EXHAUST DUCTIN...
18	150300	12	SCREW (No.10-32 X 1/2" PH ROUND INCLUDED WITH EXHA...





Ref #	Part Number	Qty.	Description
1	143536	2	ELBOW (6`` ROUND X 45 DEG.)
2	117505	5	TAPE, ALUMINUM DUCT
2	143545	1	6`` ROUND X 6`` LONG DUCT
3	883985	2	1 1/4`` TEMP SENSOR PROBE
4	150301	4	SCREW, TEK (No.8-18 X 7/16 PH





Ref #	Part Number	Qty.	Description
1	100405	1	BEARING PULLER
2	112039	1	GROUND LABEL
3	880884	1	TUMBLER PULLER ASSEMBLY
4	881299	1	LOCTITE ADHESIVE KIT
5	114001	1	``CAUTION`` LABEL
6	114006	1	``WARNING LABEL
7	120802	1	CONNECTOR, RED BUTT
8	120903	1	NUT, WIRE (CRIMP-ON)
9	121014	1	TERMINAL, INSULATED (1/4 FEM.)
10	121499	1	TIE, HARNESS (4``)
11	121500	1	TIE, HARNESS (7``)
12	121503	1	HARNESS TIE MOUNTING CLIP
13	112804	1	MANOMETER-MEASURE GAS PRESSURE
14	112280	1	LABEL (CLEAN LINT SCREEN)
15	404516	1	TOUCH-UP PAINT (BSQ)
16	410001	1	WRENCH, ALLEN (1/2``)
17	450426	1	DIRECT SPARK IGNITION MANUAL

