



# **MLG33 Parts Manual**

## **Phase 8**

**RETAIN THESE INSTRUCTIONS IN A SAFE PLACE  
FOR FUTURE REFERENCE**

Whirlpool Corporation  
Commercial Laundry  
Benton Harbor, MI 49022  
1-800-662-3587

# Retain This Manual In A Safe Place For Future Reference

This product embodies advanced concepts in engineering, design, and safety. If this product is properly maintained, it will provide many years of safe, efficient, and trouble free operation.

***ONLY properly licensed technicians should service this equipment.***

**OBSERVE ALL SAFETY PRECAUTIONS** displayed on the equipment or specified in the installation manual included with the dryer.

## FOR YOUR SAFETY

Do not store or use gasoline or other flammable vapors and liquids in the vicinity of this or any other appliance.

## POUR VOTRE SÉCURITÉ

Ne pas entreposer ni utiliser d'essence ni d'autres vapeurs ou liquides inflammables à proximité de cet appareil ou de tout autre appareil.

We have tried to make this manual as complete as possible and hope you will find it useful. The manufacturer reserves the right to make changes from time to time, without notice or obligation, in prices, specifications, colors, and material, and to change or discontinue models.

## Important

For your convenience, log the following information:

DATE OF PURCHASE \_\_\_\_\_ MODEL NO. **MLG33**

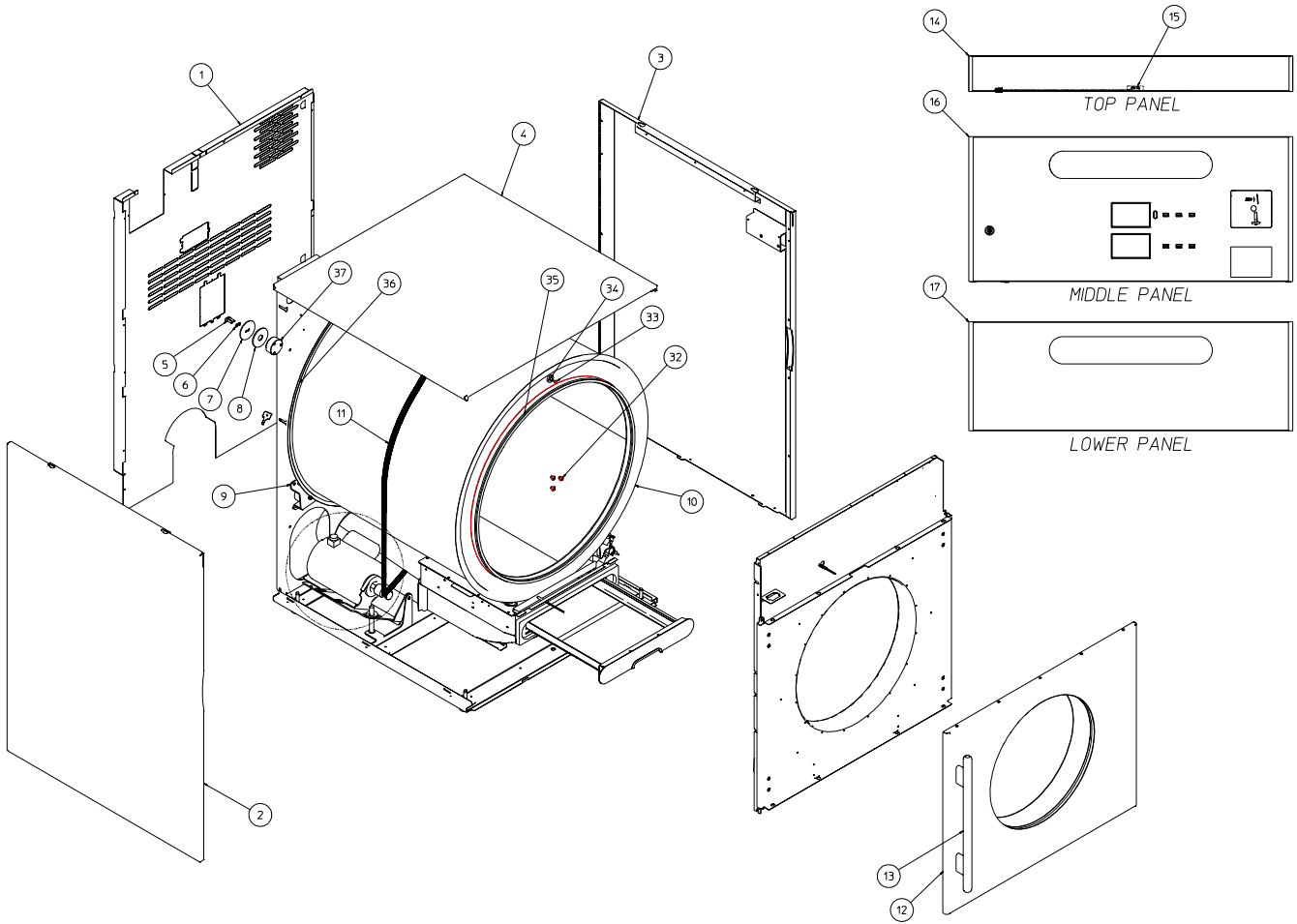
DISTRIBUTOR'S NAME \_\_\_\_\_

Serial Number(s) \_\_\_\_\_

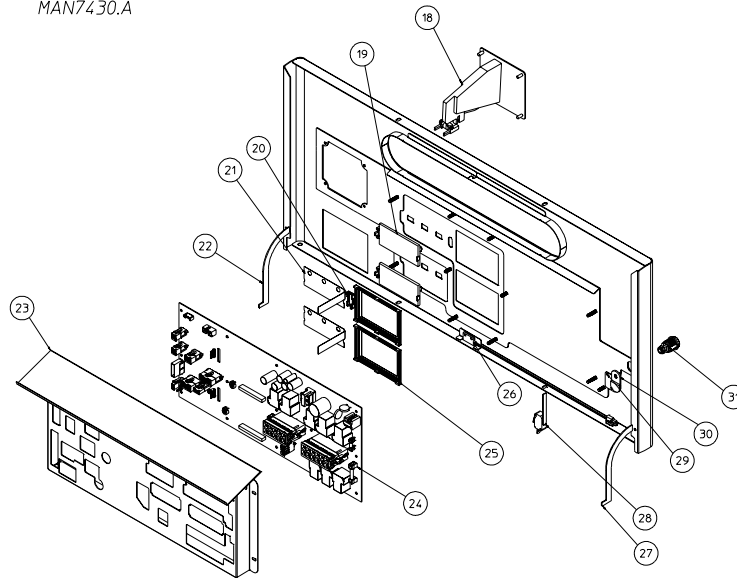
\_\_\_\_\_

\_\_\_\_\_





MAN7430.A

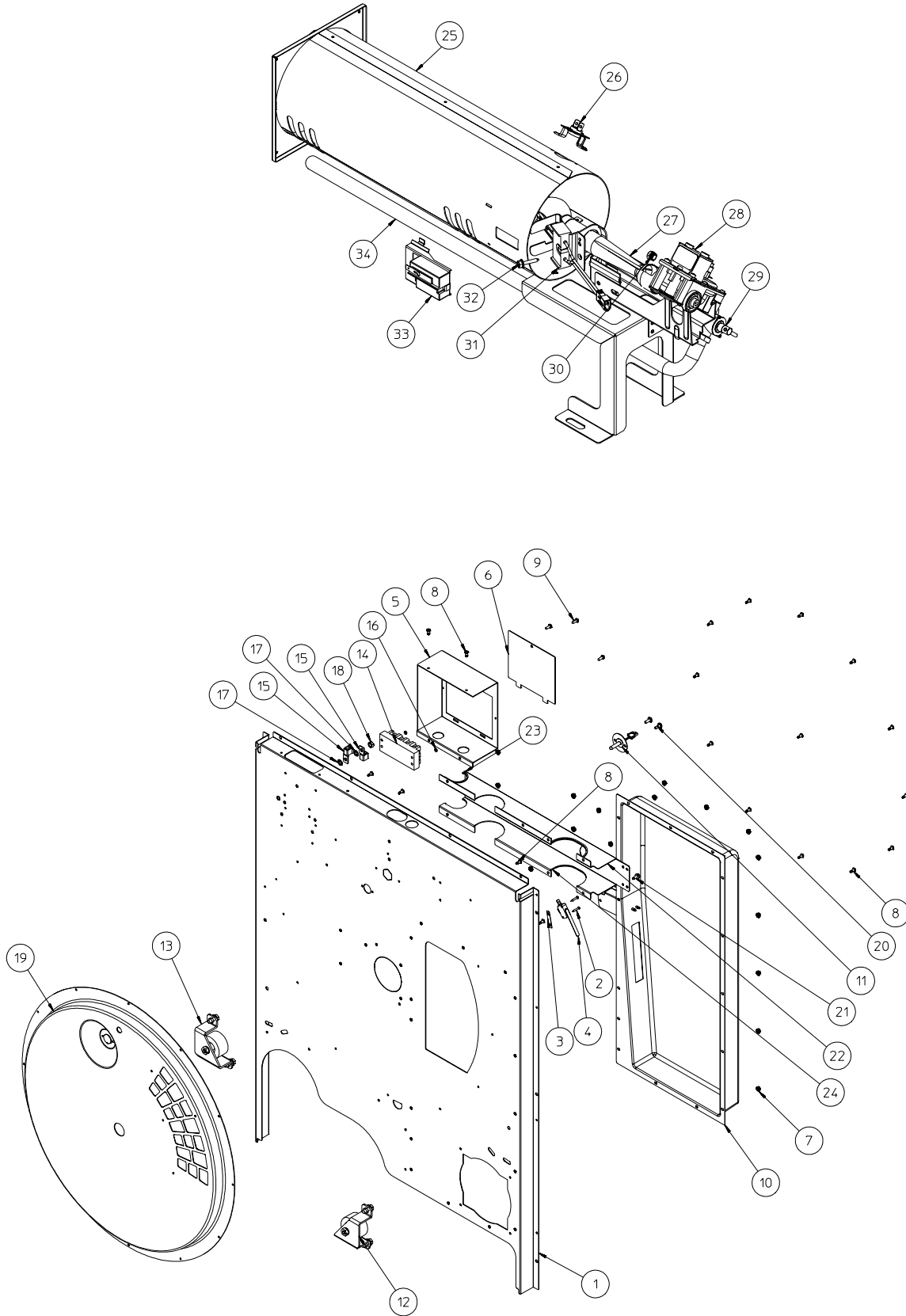


# Parts List

<u>Illus.</u> <u>No.</u>	<u>Part No.</u>	<u>Qty.</u>	<u>Description</u>
1	818925	1	Back Guard Assy (as of December 7, 2005)
	818683	1	Back Guard Assy (prior to December 7, 2005)
2	819619	1	Left Side Panel Assy (as of December 7, 2005)
	818679	1	Left Side Panel Assy (prior to December 7, 2005)
3	819621	1	Right Side Panel Assy (as of December 7, 2005)
	818678	1	Right Side Panel Assy (prior to December 7, 2005)
4	818690	1	Outer Top Panel Assy
5	150445	2	1/4-20 x 3/4" Hex Screw
6	153072	2	Lock Washer
7	185426	1	Backup Washer
8	153048	2	Inner Friction Pad
9	818110	1	Left Rear Wheel Assy
	818109	1	Right Rear Wheel Assy (not shown) (see page 8 for detail)
10	819849		3 Rib Galvanized Tumbler Assy (as of March 12, 2008)
	818815	1	Galvanized Tumbler Assy (prior to March 12, 2008)
	819398	1	Stainless Steel Tumbler Assy
11	102407	1	Belt
12	819302	1	Door Assy Right Hinge (White)
	819303	1	Door Assy Right Hinge (Stainless Steel)
	102396	1	Door Gasket
	103067	2	Door Hinge
	350330	*	Door Hinge Shim
13	185183	1	Handle
	185182	2	Handle Standoff
	150690	2	Mounting Screw
14	819190	1	Top Trim Panel Assy (Black)
	819192	1	Top Trim Panel Assy (Stainless Steel)
	819205	1	Top Trim Panel Assy (White)
15	819196	1	Door Switch Assy
16	819310	1	Phase 8 Control Door Assy (25¢ Coin)
	819608	1	Phase 8 Control Door Assy (Non-Coin)
	154061	8	U-Nut Retainer
	183129	8	T-20 Truss Head Machine Screw
17	185279	1	Toe Panel (Black)
	185097	1	Toe Panel (White)
	185048	1	Toe Panel (Stainless Steel)
18	818213	1	25¢ Coin Acceptor Assy (United States)
	819807	1	Optic Switch Only (not illustrated)
	819261	1	Programmable Coin Acceptor Assy (Canada)
19	112551	2	Three Button Assy
20	135008	1	Tinted Infrared Cover
21	112588	2	Membrane Switch (Coin)
	112586	2	Membrane Switch (Non-Coin)

<u>Illus.</u> <u>No.</u>	<u>Part No.</u>	<u>Qty.</u>	<u>Description</u>
22	318930	1	Control Panel Right Hinge
23	319333	1	Phase 8 Control Cover (Coin)
	319337	1	Phase 8 Control Cover (Non-Coin)
24	887106	1	Phase 8 Computer (Coin)
	887103	1	Phase 8 Computer (Non-Coin)
25	112549	2	L.C.D. Display Cover
26	819196	1	Door Switch Assy
27	318929	1	Control Panel Left Hinge
28	122200	1	Program Switch (prior to February 28, 2007)
29	154004	1	Twin Speed Nut (prior to February 28, 2007)
30	160066	1	1-1/8" Long Cam (prior to February 28, 2007)
31	160070	1	Lock and Program Switch (as of February 28, 2007)
	160069	1	Lock (Keyed ZB-7) (prior to February 28, 2007)
	160169	1	ZB-7 Key Only (not illustrated)
32	150123	3	.25-20 X .25 Socket Button Head Cap Screw
33	154217	1	1/8" Pop Rivet
34	102004	1	Magnet
35	115906	1	Front Tumbler Felt
36	115910	1	Rear Tumbler Felt
	401010	—	3M Mastic For Felt Installation (5 Fl oz. Tube)
37	318784	1	Solid Back Shaft

\*As necessary.



MAN7372.C

# Parts List

---

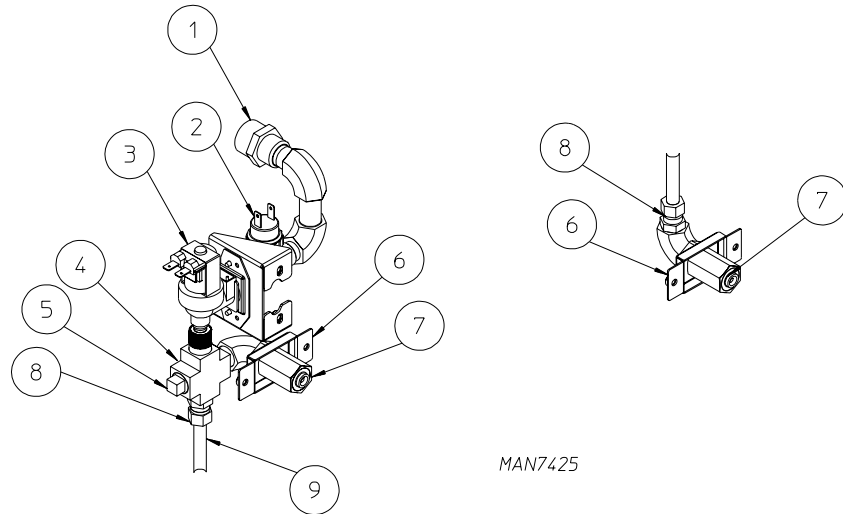
<u>Illus.</u> <u>No.</u>	<u>Part No.</u>	<u>Qty.</u>	<u>Description</u>
1	819114	1	Rear Support Panel Complete
2	150303	2	Phillips Head Pan Screw
3	154004	1	Twin Speed Nut
4	122200	1	Sail Switch
	319233	2	Sail Switch Damper ... Not Illustrated
5	318993	1	Rear Electrical Box
6	185467	1	Electrical Box Cover
7	153073	23	#8-32 KEPS Nut
8	154205	19	.15625 x .25 Pop Rivet
9	150331	3	#8-18 x .5 TORX® Screw
10	819113	1	Heat Duct with Sail Switch Assy
11	819188	1	Axial Probe Assy
12	818109	1	Rear Right Roller Assy (see page 8 for detail)
13	818110	1	Rear Left Roller Assy (see page 8 for detail)
14	120728	1	Quick Connect Terminal Block
15	121010	2	Terminal Lug
16	152015	2	#8-32 Hex Nut
17	153021	2	Shakeproof Washer
18	152002	1	#1-4 x 20 Hex Nut
19	185464	1	Bulkhead Spacer
20	183129	2	#10-32 x 1-2 TORX® Screw
21	150300	2	#10-16 x .5 Hex Washer
22	318338	1	Rear Support Panel Stiffener (as of March 16, 2007)
	887142	1	Rear Stiffener Kit (prior to March 16, 2007)
23	156001	1	Catepillar Grommet
24	156001	1	Catepillar Grommet
25	819314	1	Burner Assembly
	819313	1	Burner Chamber
26	183112	1	Thermostat, Gas High-Limit
27	183144	1	Inshot Burner Tube, Hot Surface Ignition
28	128944	1	Gas Valve 120 VAC 60 Hz (Natural Gas) **
	884254*	1	Liquid Propane Conversion Kit
29	141318	1	3/8" 90° Union Shutoff
30	140896*	1	Natural Gas #20 Burner Orifice
	140905*	1	Liquid Propane Gas #44 Burner Orifice
31	128910	1	Globar®
32	183145	1	#8-32 x 7/8" Nut with Washer
33	130500	1	Radiant Control
34	185096	1	3/8" N.P.T. Male 90° Gas Pipe

\* Consult factory for elevation over 2,000 feet for correct burner orifice size

\*\* To convert valve to L.P. Gas, Kit P/N 140414 is required.

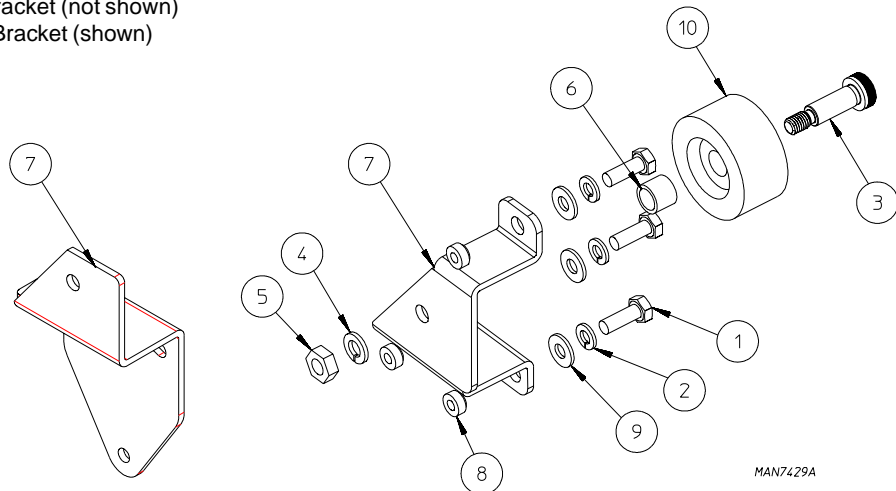
## S.A.F.E. System Assembly Parts Diagram / List

<u>Illus.</u> <u>No.</u>	<u>Part No.</u>	<u>Qty.</u>	<u>Description</u>
1	143025	1	Nylon Hose Adaptor
2	136987	1	Pressure Switch
3	165120	1	Water Valve
4	143236	1	3/8" Brass Cross
5	143251	1	3/8" Plug
6	318422	1	S.A.F.E. Bracket
7	143581	1	Spray Nozzle
8	143208	1	3/8" Brass Connector
9	143099	1	3/8" OD Copper Tubing



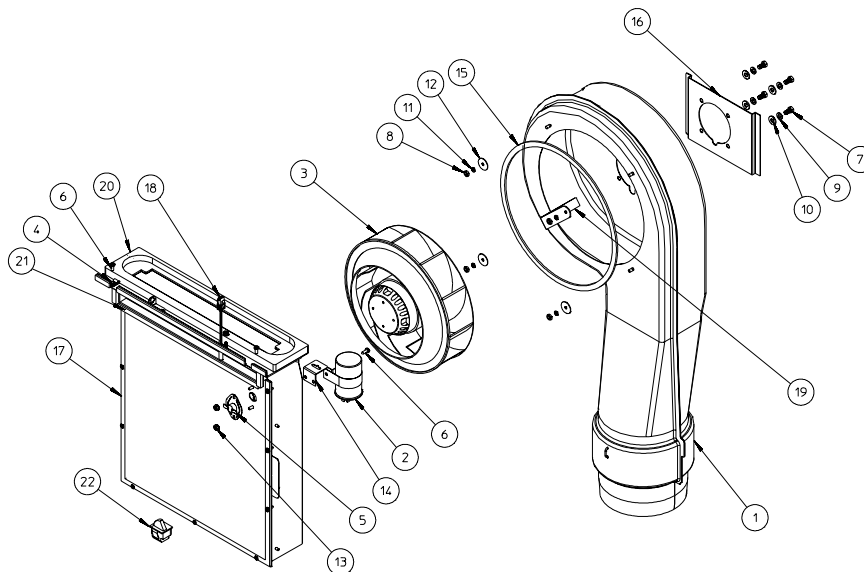
## Wheel Assembly Parts Diagram / List

<u>Illus.</u> <u>No.</u>	<u>Part No.</u>	<u>Qty.</u>	<u>Description</u>
1	150510	3	1/4-20 x 3/4" Hex Head Machine Bolt
2	153007	3	1/4" Lock Washer
3	154267	1	M10 x 25mm Shoulder Screw
4	153002	1	5/16" Lock Washer
5	154013	1	M8 Hex Nut
6	154284	1	Tumbler Wheel Spacer
7	185234	1	Left Rear Wheel Bracket (shown)
	185233	1	Right Rear Wheel Bracket (not shown)
	185236	1	Left Front Wheel Bracket (not shown)
	185235	1	Right Front Wheel Bracket (shown)
8	153564	3	1/4"-20" Clinch nut
9	153018	3	1/4" Flat Washer
10	180050	1	Wheel





# Parts Diagram / List

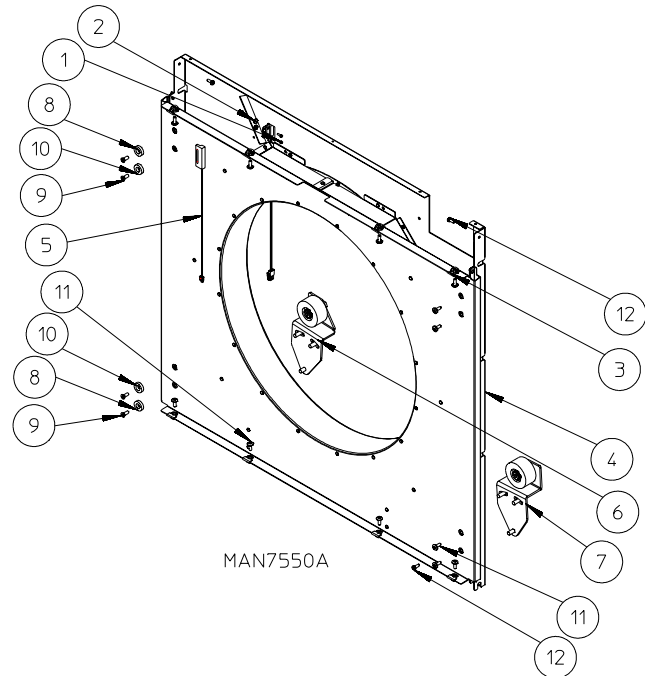


MAN7552A

<u>Illus.</u> <u>No.</u>	<u>Part No.</u>	<u>Qty.</u>	<u>Description</u>
1	825569	1	Formed Blower Assy Complete (as of September 1, 2006)
	819193		Blower Housing (prior to September 1, 2006)
2	100618	1	20 MFD Capacitor (as of September 1, 2006)
	100639		32 MFD Capacitor (prior to September 1, 2006)
3	887191		120V 3-Pin Motorized Impellor (as of September 1, 2006)
	887186	1	120V 3-Pin Motorized Impellor (between October 15, 2005 and September 1, 2006)
	887182	1	120V 8-Pin Motorized Impellor (prior to October 15, 2005)
	887187	1	8-Pin to 3-Pin Conversion Harness ... Not Illustrated
4	121519	1	Nylon Cable Clamp
5	130119	1	Temperature Sensor L190
6	150331	3	#8-18 x 0.5 TORX® Screw
7	150691	4	6m x 12mm Cap Screw
8	152008	4	#10-32 Hex Nut
9	153007	4	1-4 Lock Washer
10	153018	4	1-4 Flat Washer
11	153024	4	#10 Lock Washer
12	153049	3	.203 x .875 Flat Washer
13	153073	3	#8-32 KEPS Nut
14	185431	1	Lint Box Wire Support Bracket
15	117604	1	.125 x .375 Foam Tape
16	185340	1	Blower Housing Mount
17	819725	1	Lint Box Assy for Formed Blower (as of September 1, 2006)
	819292	1	Lint Box Assy (prior to September 1, 2006)
18	830333	1	Exhaust Temp Sensor Assy (as of February 19, 2008)
	818986	1	Exhaust Temp Sensor Assy (prior to February 19, 2008)
19	319546	1	Lint Blade for Formed Blower
	819832	1	Lint Blade with Whip
20	102368	1	Lint Face Gasket Foam
21	117607	3	Sponge Tape
22	122002	1	Lint Door Switch
	319402	1	Lint Drawer Switch Bracket
—	819554	1	Exhaust Hi-Limit Harness ... Not Illustrated

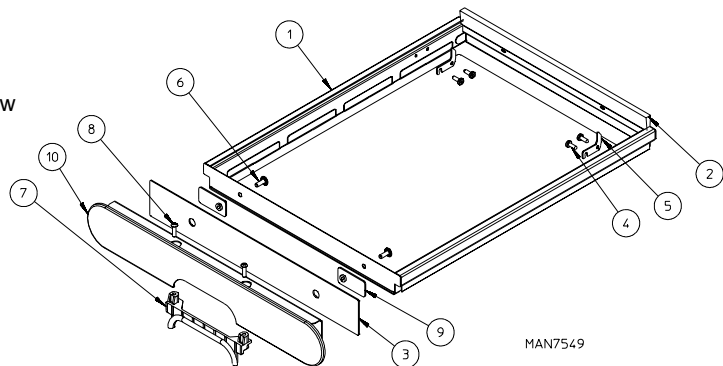
## Parts Diagram / List

<u>Illus.</u> <u>No.</u>	<u>Part No.</u>	<u>Qty.</u>	<u>Description</u>
1	150020	2	4-40 - 0.312 Phillips Screw
2	152016	2	4-40 - 0.25 Hex Nut
3	154061	8	U-Nut Retainer
4	819132	1	Front Panel Assy Complete
	185372	1	CRS Front Panel Final ONLY
5	819573	1	Rotation Sensor Assembly (as of January 26, 2006)
	819194	1	Rotation Sensor Assembly (prior to January 26, 2006)
6	818184	1	Left Front Wheel Assy (see page 8)
7	818183	1	Right Front Wheel Assy (see page 8)
8	102004	2	0.75 Round Door Magnet
9	152223	4	10/32 x 0.5 T20 TORX® Screw
10	102005	2	Compact Door Magnet Blank
11	183129	12	10/32 x 1/2 TORX® Truss Head Screw
12	150331	3	8-18 x 0.5 Pan Head TORX® Screw

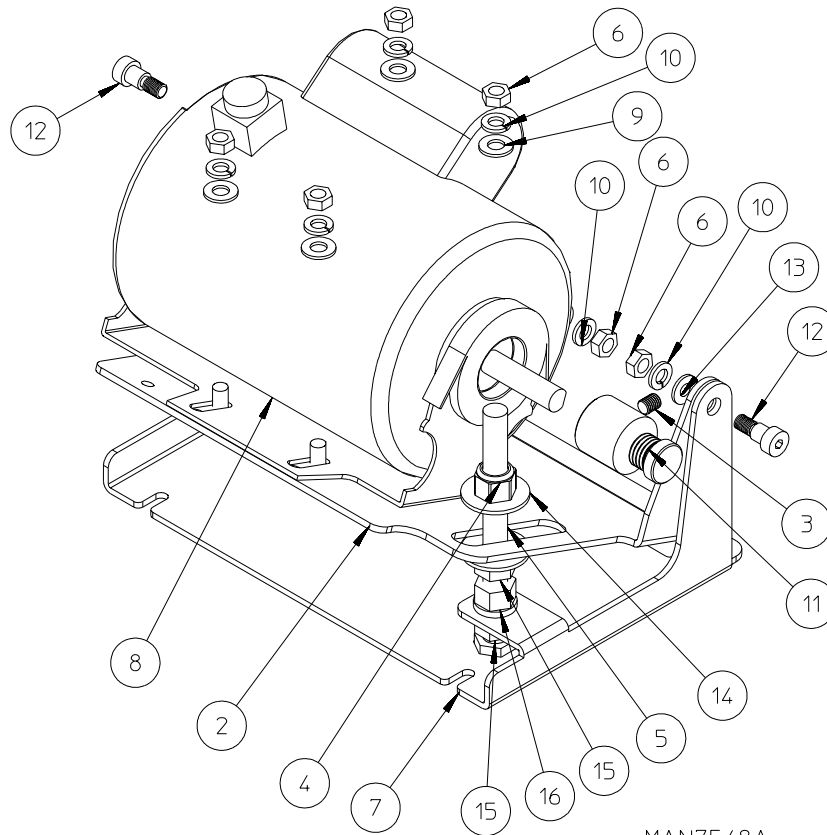


## Parts Diagram / List

<u>Illus.</u> <u>No.</u>	<u>Part No.</u>	<u>Qty.</u>	<u>Description</u>
1	801143	1	18 x 18 Lint Screen Assy Complete
2	170169	1	Lint Brush
3	319784	1	Lint Drawer Spacer
4	150331	4	8-18 x 0.5 Pan Head TORX® Screw
5	185423	2	Lint Drawer Stop
6	183129	2	10-32 x 1/2 TORX® Truss Head Screw
7	185226	1	Black Lint Screen Handle
8	150334	2	8-16 x 0.625 Phillips Screw
9	819287	2	Lint Drawer Handle Fastening Plate
10	185219	1	Lint Drawer Handle Assy (Black)



# Parts Diagram / List



<u>Illus.</u> No.	<u>Part No.</u>	<u>Qty.</u>	<u>Description</u>
1	815036	1	3 Rib Tumbler Motor Mount Assy Complete (as of March 12, 2008)
	819425	1	4 Rib Tumbler Motor Mount Assy Complete (prior to March 12, 2008)
2	819710	1	Motor Mount Assy Top
3	154321	1	Setscrew for Motor Sheave
4	152028	1	Nylon Lock Nut
5	150616	1	Motor Mount Tap Bolt
6	152004	6	5/16-18 Hex Nut
7	185465	1	Motor Mount Base Plate
8	887150	1	60 Hz Motor with Sheave (as of March 12, 2008)
	887150	1	60 Hz Motor with Sheave (prior to March 12, 2008)
	819854	1	Motor Conversion Harness (not shown) (machines built prior to May 9, 2007)
9	153001	4	5/16 Flat Washer
10	153002	6	5/16 Lock Washer
11	319933	1	60 Hz Motor Sheave (as of March 12, 2008)
	185059	1	60 Hz Motor Sheave (prior to March 12, 2008)
12	154266	2	3/8" x 3/8" Shoulder Screw
13	153018	2	1/4" Flat Washer
14	153011	2	1-3/8" Flat Washer
15	152011	3	1/2"-13 Hex Nut
16	153026	1	1/2" Standard Lock Washer

