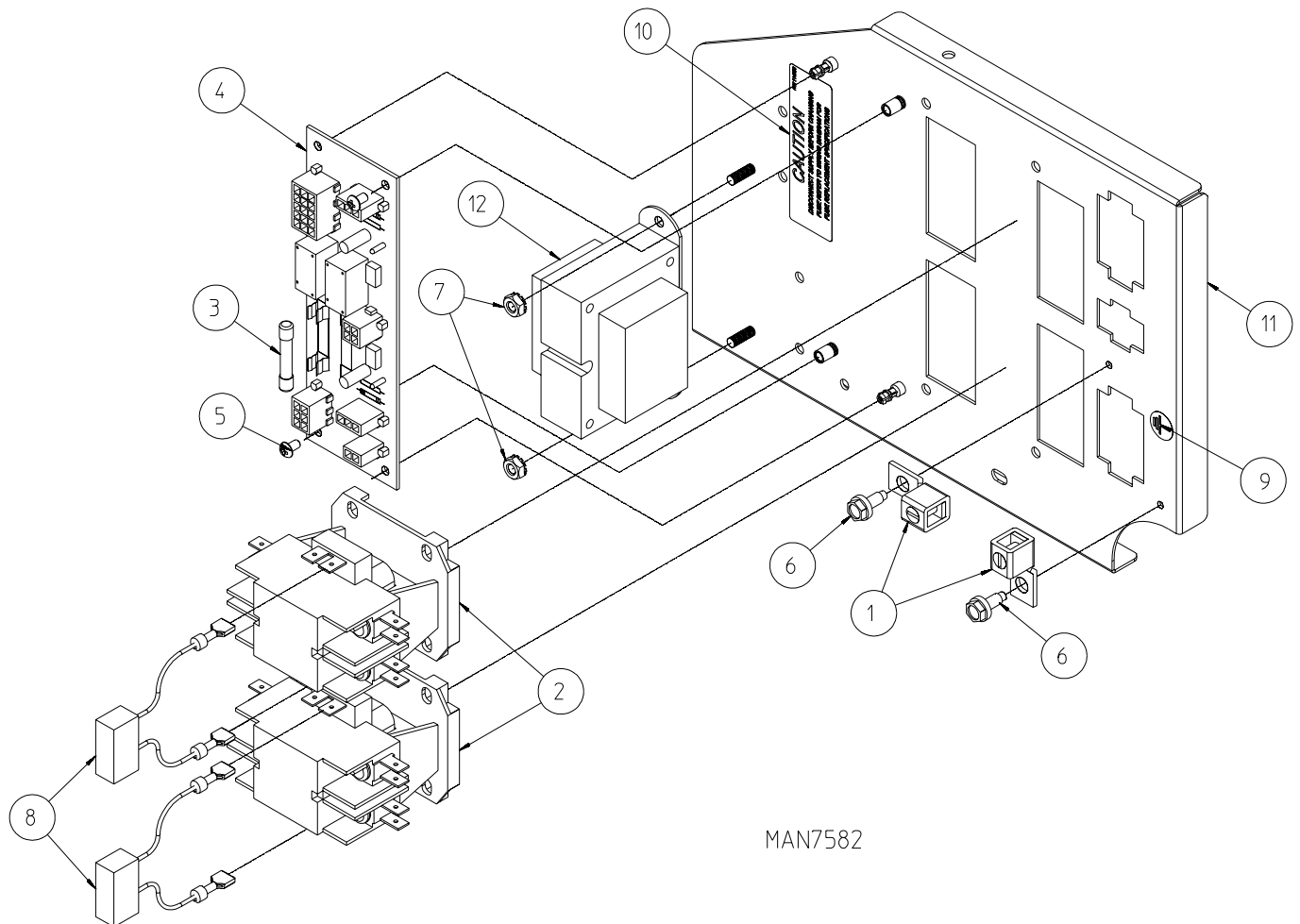


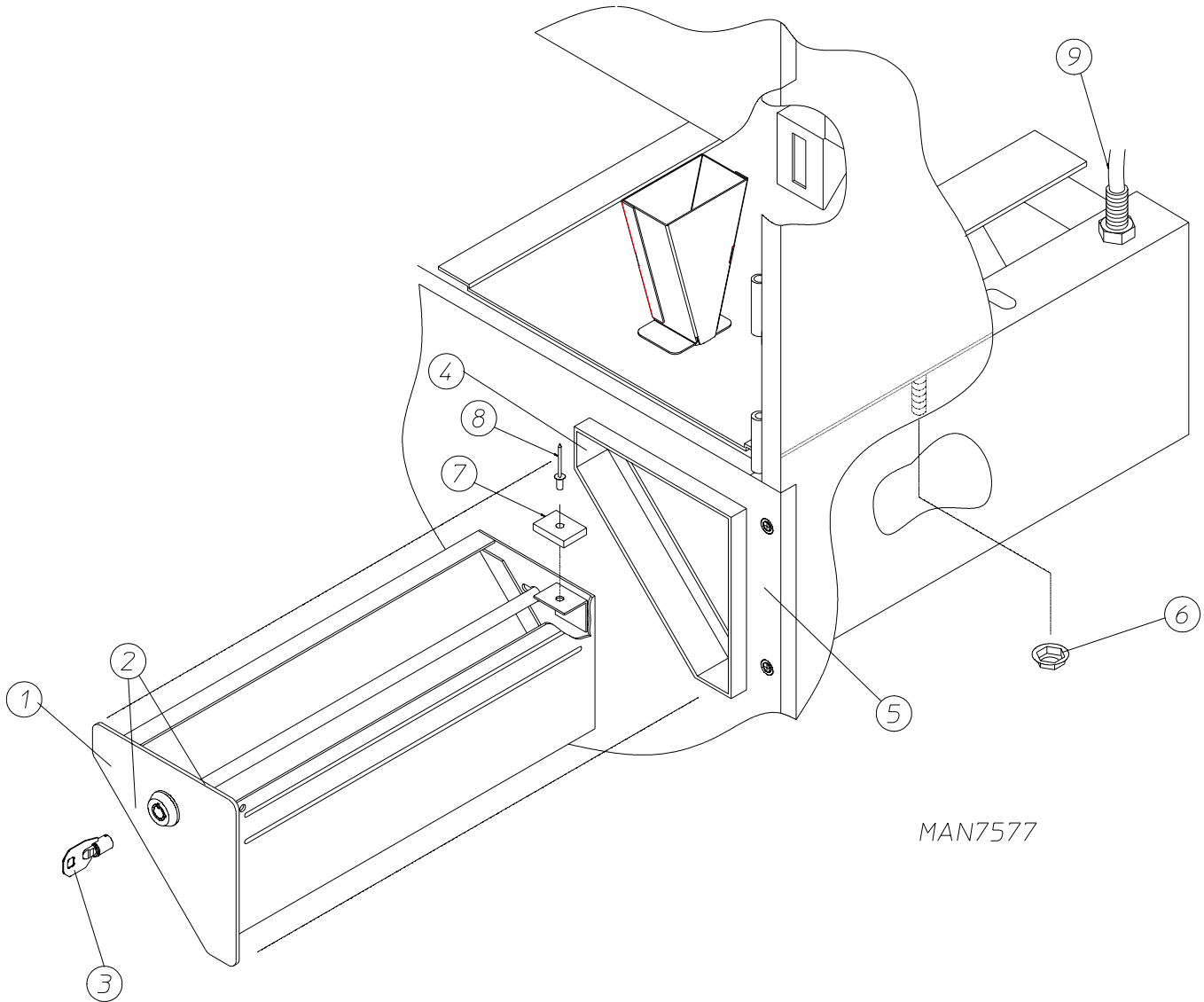
MAN7576

Illus. No.	Part No.	Qty.	Description
1	125797	1	25¢ Single Coin Acceptor
2	125157	1	Optic Switch
3	150002	1	#6-32 x 1" Phillips Right Hand Screw
4	153010	4	#6 Internal Star Washer
5	152102	4	M3 Metric Hex Nut
6	112543	1	Display Cover
7	845921	1	Control Panel Assembly Complete (Cold Rolled Steel) (includes illus. nos. 1 through 22)
	845920	1	Control Panel ONLY (Cold Rolled Steel)
	845949	1	Stainless Steel Control Panel Assembly Complete (includes illus. nos. 1 through 22)
	845948	1	Stainless Steel Control Panel ONLY
8	160070	1	Key Lock Switch
	160169	1	Key ONLY ZB-7
9	153022	6	#10 Steel Burr
10	117605	1	Neoprene Sponge Tape (sold by the foot)
11	112544	2	Membrane Switch Push Button
12	112541	2	Molex Membrane Switch
13	152001	2	#8-32 Hex Nut
14	800949	1	Microprocessor Controller (computer) Mounting Panel
15	152001	2	#8-32 Hex Nut
16	154008	1	Tinnerman "U" Clip
17	154334	4	1/2" x 1/4" Nylon Standoff
18	137239	1	Dual Microprocessor (computer) Board ONLY
19	152013	4	#6-32 x 1/4" Hex Nut
20	311514	1	Microprocessor Controller (computer) Board Cover
21	150310	1	#8 Phillips Pan Head "Type A" Screw
22	114075	1	Control Display Label Clear



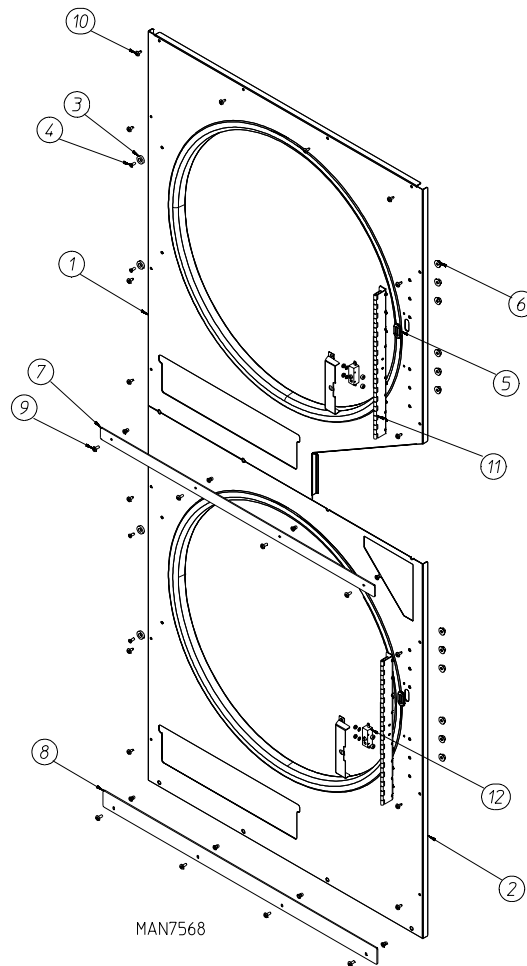
MAN7582

Illus. No.	Part No.	Qty.	Description
1	121010	2	Terminal Lug
2	132498	2	24V 2-Pole Contactor
3	136057	1	1/2-amp Slo-Blo Fuse
4	137241	1	Interconnect Board
5	150005	2	#6-32 x 1/4" Phillips Machine Screw
6	150300	2	#10-16 x 1/2" Hex Washer TEX Screw
7	153073	2	#8-32 Keps Nut
8	824828	2	R.C. Network with Connector
9	112075	1	1/2" Diameter Ground Symbol Label
10	114506	1	Disconnect Supply Fuse Label
11	845954	1	Microprocessor Control Panel Assembly (includes illus. nos. 1 through 11)
	845772	1	Microprocessor Electrical Weldment Panel ONLY
12	835503	1	24V and Microprocessor Transformer Assembly

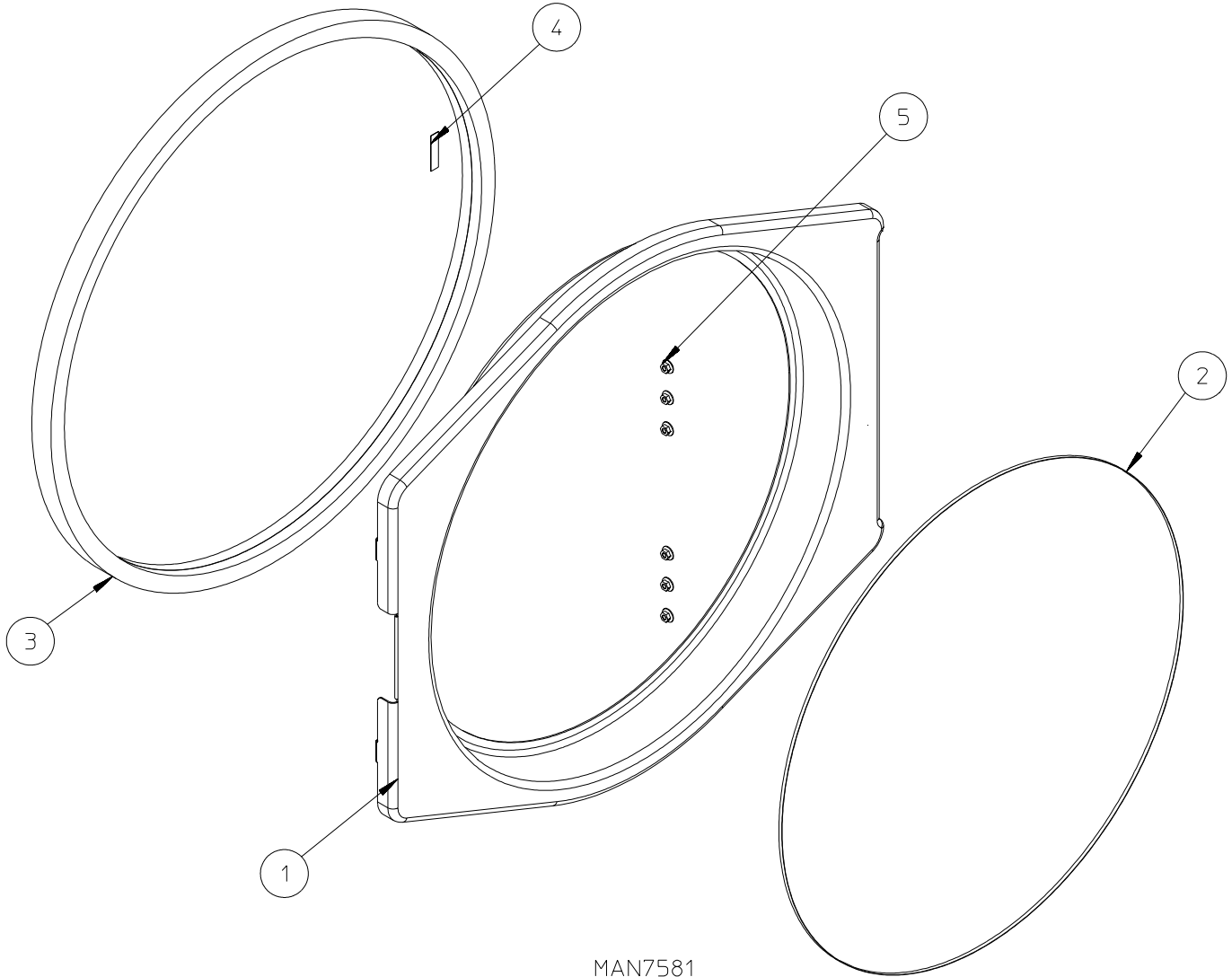


MAN7577

<u>Illus. No.</u>	<u>Part No.</u>	<u>Qty.</u>	<u>Description</u>
1	845936	1	Coin Box ONLY with Magnet
	345084	1	Coin Box Face Plate (black)
2	160036	1	ACE® Lock Assembly with Key
3	160136	1	ACE® Key ONLY
4	845923	1	Coin Vault ONLY
5	—	1	Lower Front Panel (refer to Lower Front Panel Assembly on page 7)
6	152014	4	1/4-20 Free Spin Wash Nut
7	102102	1	1" x 3/4" x 0.197 Magnet
8	154200	1	5/32" Pop Rivet
9	824807	1	Rotation Sensor Magnet Reed Switch Assembly

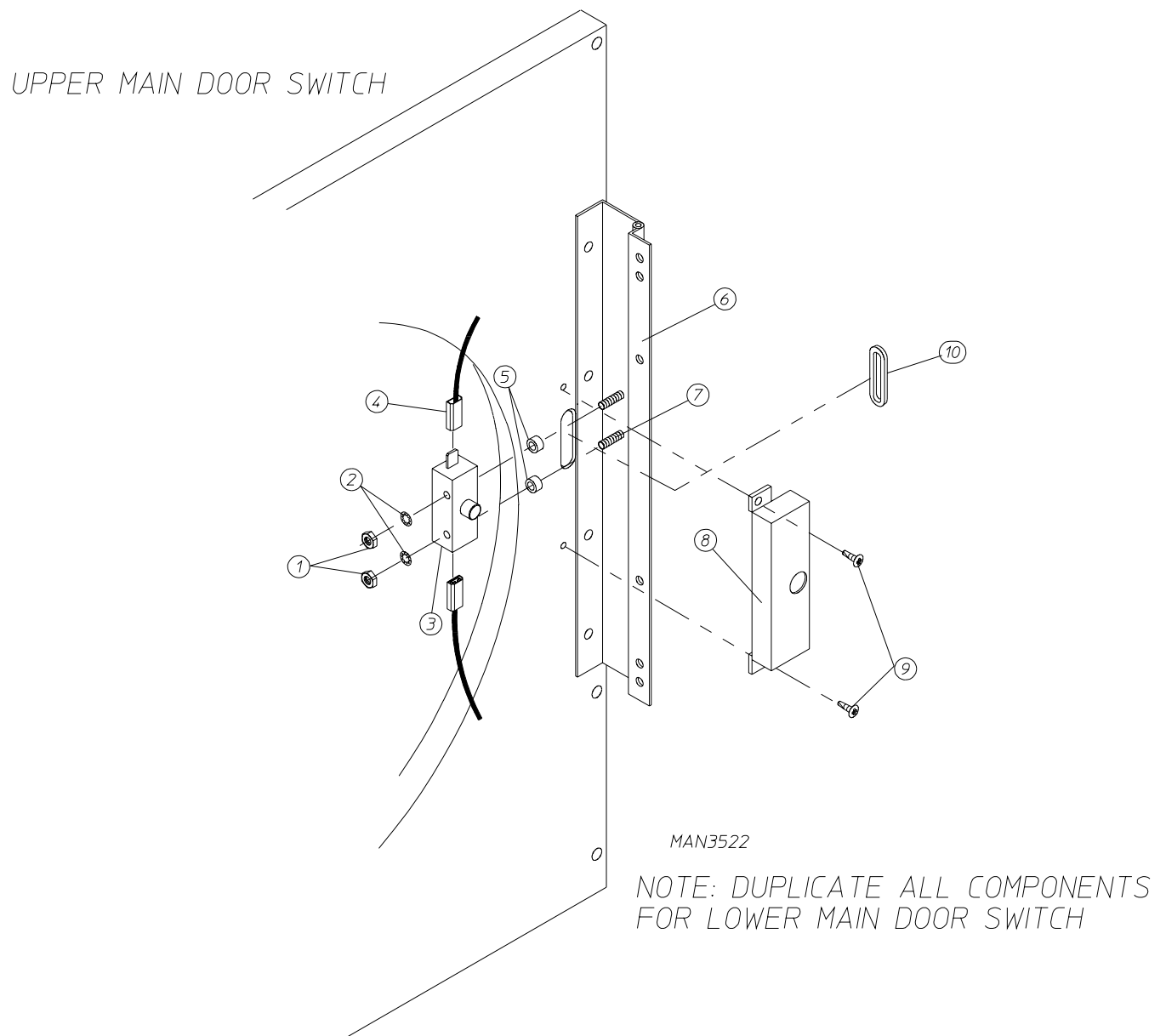


<u>Illus. No.</u>	<u>Part No.</u>	<u>Qty.</u>	<u>Description</u>
1	845913	1	Top Front Panel Assembly Cold Rolled Steel (white) (includes illus. nos. 1 through
	845914	1	Top Front Panel without Hinge (white)
	845952	1	Top Front Panel Assembly (stainless steel) (includes illus. nos. 1 through
	845950	1	Top Front Panel without Hinge (stainless steel)
2	845915	1	Bottom Front Panel Assembly Cold Rolled Steel (white) (includes illus. nos. 2
	845916	1	Bottom Front Panel without Hinge (white)
	845953	1	Bottom Front Panel with Hinge (stainless steel) (includes illus. nos. 2 through
	845951	1	Bottom Front Panel without Hinge (stainless steel)
3	102004	2	Door Magnet
4	152223	2	#10-32 x 1/2" T-20 TORX® Machine Screw
5	121405	1	Large Rubber Grommet
6	152014	6	1/4-20 Free Spin Nut
7	845917	1	Front Panel Middle Trim (black)
8	845959	1	Front Panel Lower Trim (black)
9	150319	4	#10-32 x 1/2" TORX® Buttonhead Machine Screw (black)
10	150313	15	#10-16 x 1/2" TORX PLUS® Screw
11	—	1	Main Door Hinge (refer to page 9)
12	—	1	Door Switch (refer to page 9)

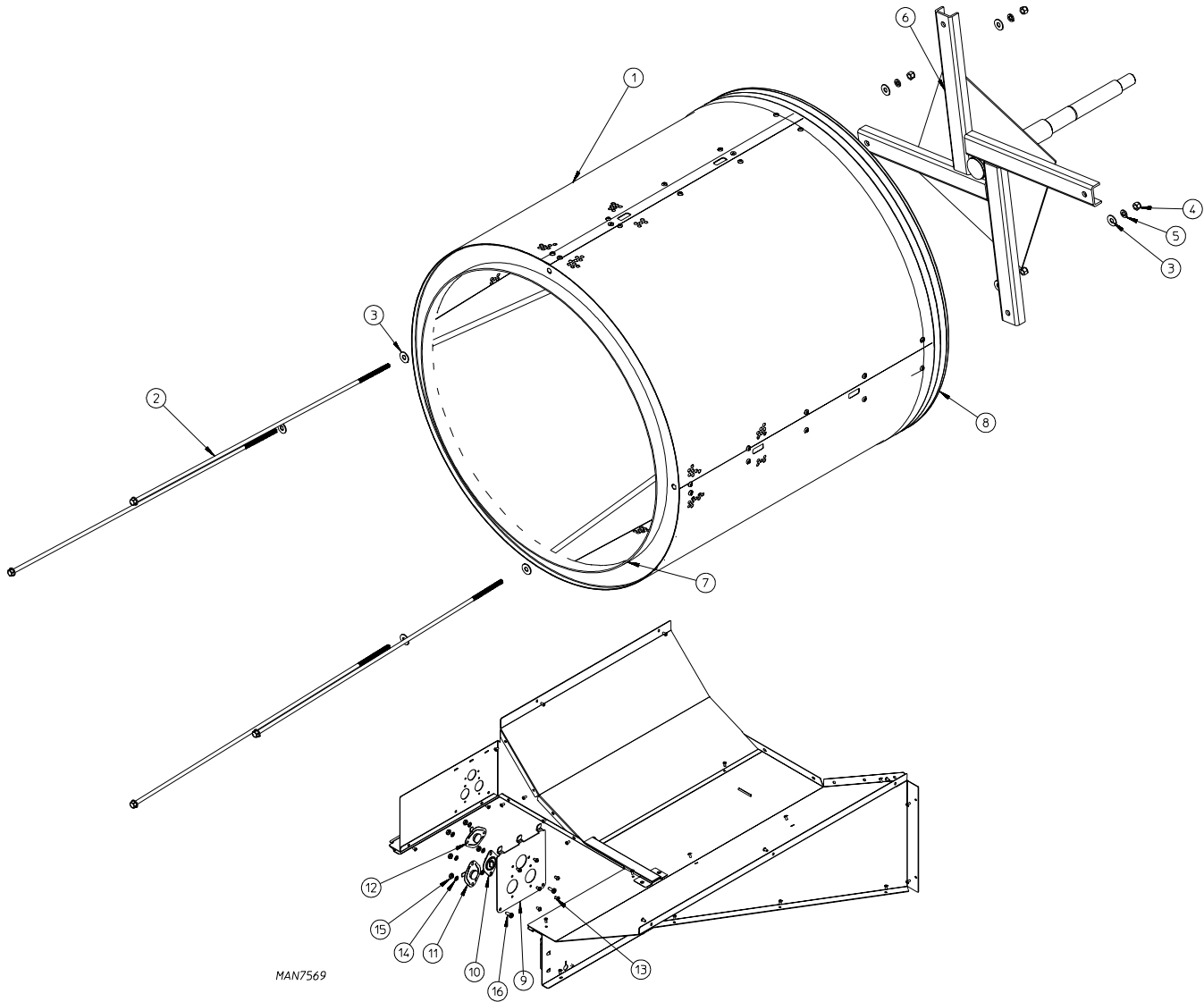


MAN7581

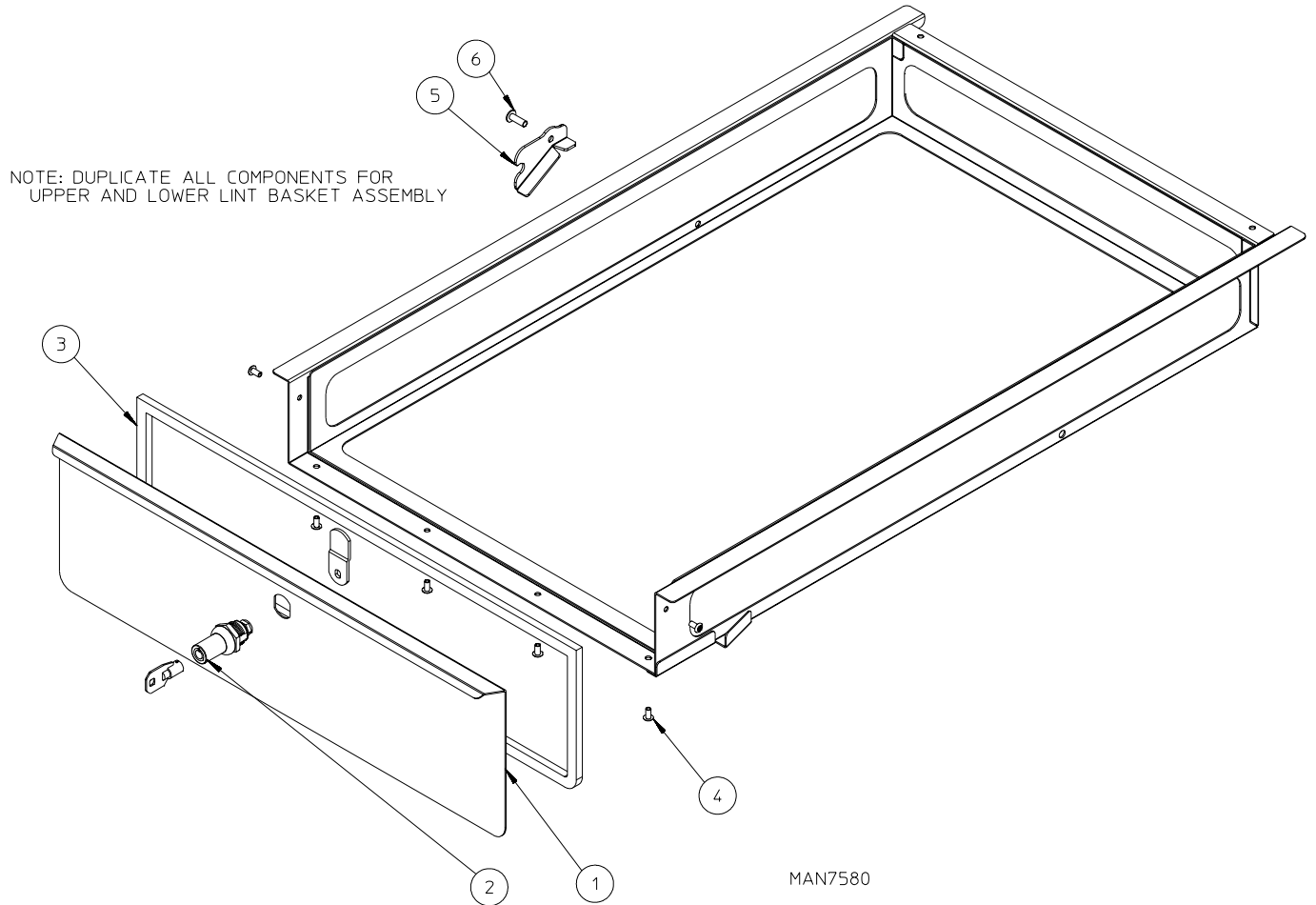
<u>Illus. No.</u>	<u>Part No.</u>	<u>Qty.</u>	<u>Description</u>
1	845946	1	27" Opening Main Door Assembly (black) (includes illus. nos. 1 through 4)
2	185498	1	Glass for 31-1/4" Door
3	185502	1	Door Gasket for Large Door
4	110006	1	1/2" Black Strapping Tape
5	152014	6	1/4-20 Free Spin Nut



Illus. No.	Part No.	Qty.	Description
1	152013	2	#6-32 Hex Nut
2	153010	2	#6 Internal Star Washer
3	137005	1	Single-Pole Door Switch (SDS)
4	121028	2	Insulated Female Terminal
5	154281	2	3/8" Standard Nylon Spacer
6	814755	1	15-1/2" Main Door Piano Hinge Assembly
7	153576	2	#6 Stud
8	313647	1	Main Door Switch Housing ONLY
9	150201	2	#10-32 x 1/4" Phillips Pan Head TEK Screw
10	121405	1	Rubber Grommet

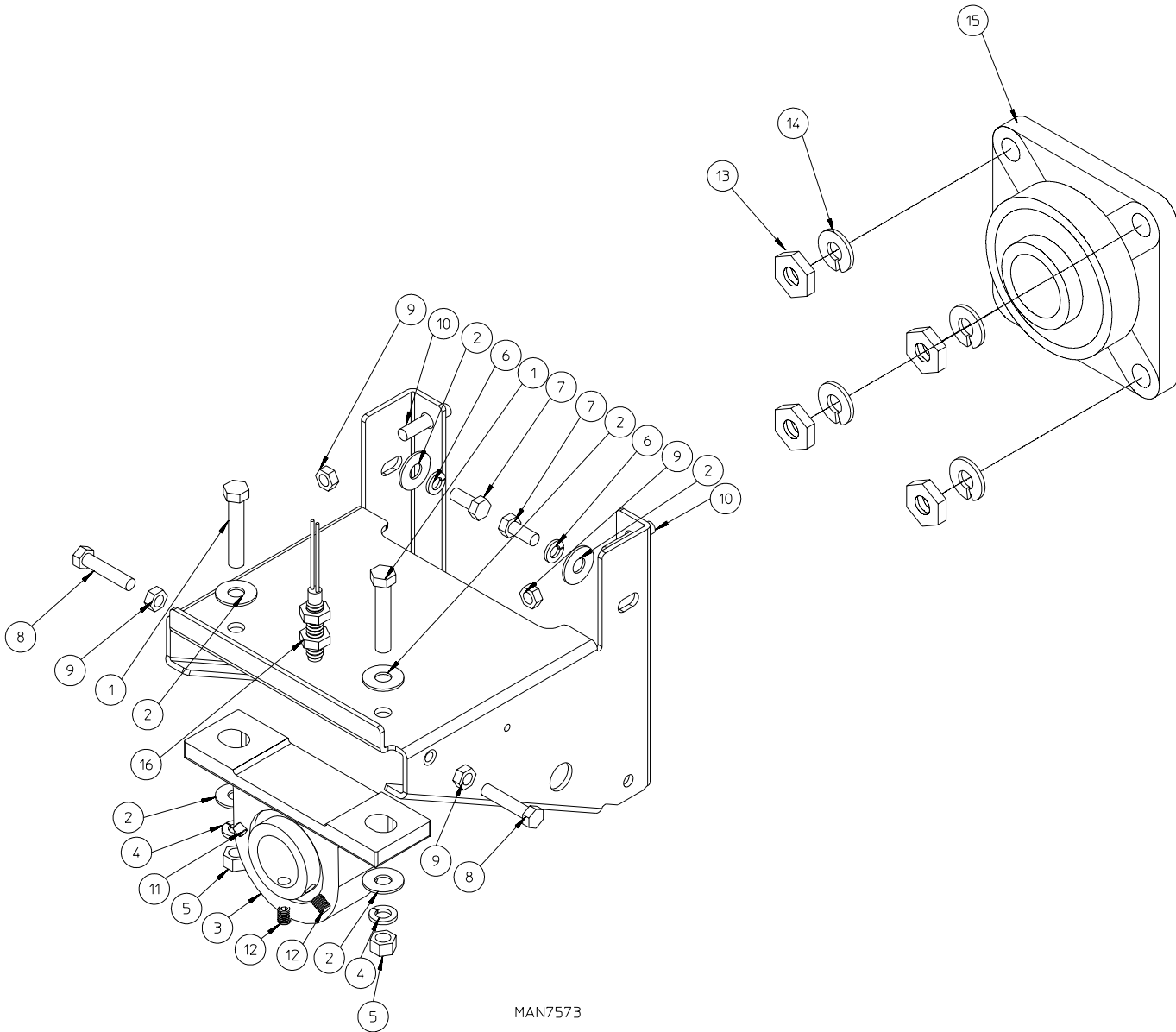


Illus. No.	Part No.	Qty.	Description
1	845908	1	Tumbler and Support Assembly Complete with Felt Collar (includes illus. nos. 1 through 8)
	845909	1	Tumbler ONLY without Felt Collar
2	100915	4	3/8-16 x 31-1/8" Tie Rod
3	153004	4	3/8" x 1" Flat Washer
4	152027	4	3/8-16 Nylon Insert Locknut
5	153005	4	3/8" Split Lock Washer
6	845752	1	Tumbler Support
7	115917	1	Tumbler Front Felt
8	115918	1	Rear Tumbler Felt
9	845941	1	Temperature Sensor Bracket Assembly
	345089	1	Temperature Sensor Bracket
10	130119	1	190 Temperature Sensor Horizontal Terminal Automatic
11	130117	1	Thermistor
12	130118	1	170 Auto Reset Thermostat
13	150005	6	#6-32 x 1/4" Phillips Round Head Machine Screw
14	153010	6	#6 Internal Star Washer
15	152000	6	#6-32 x 1/4" Phillips Round Head Screw
16	150331	2	#8-18 1/2" Pan Head TORX® Screw



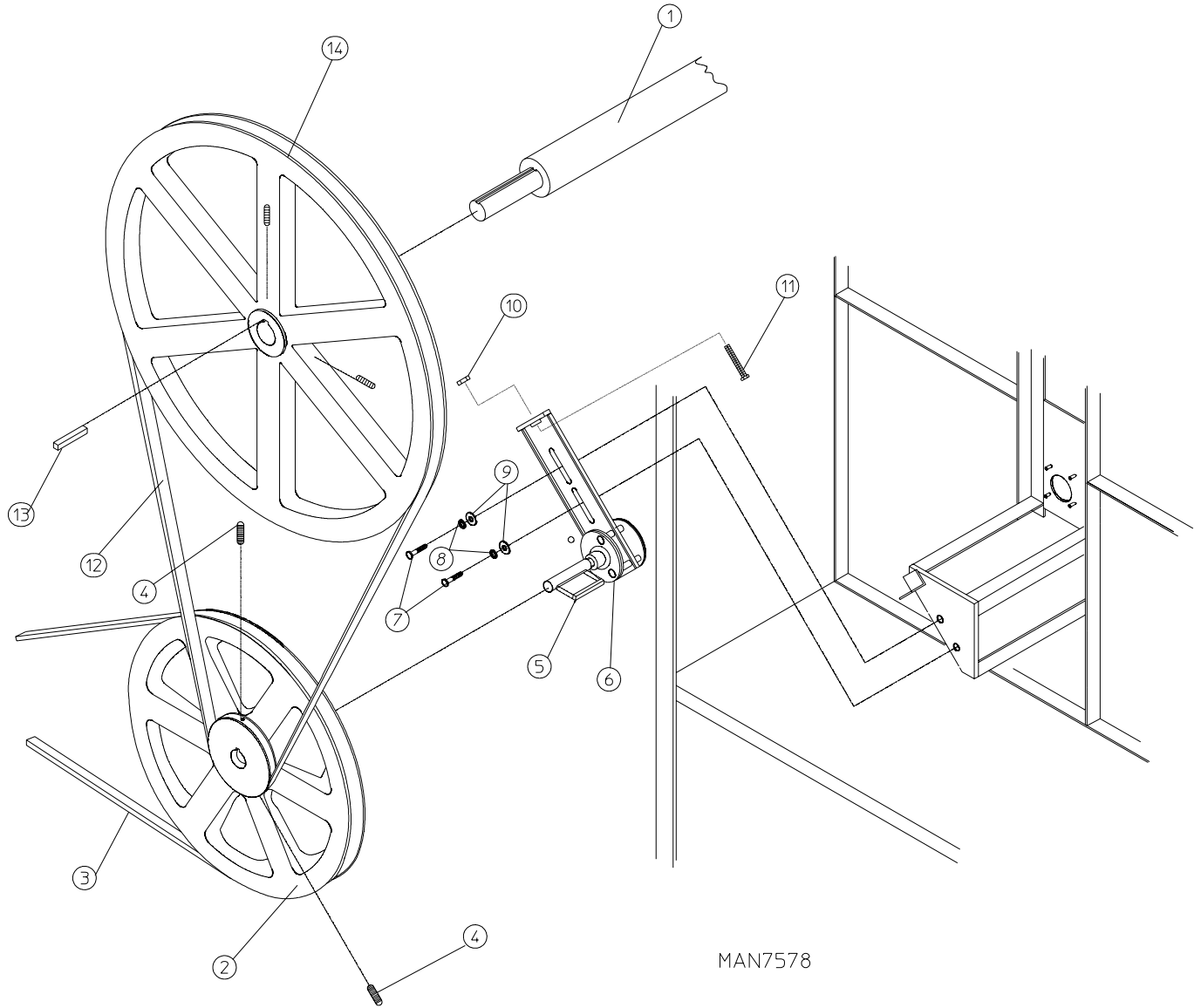
Illus. No.	Part No.	Qty.	Description
1	845930	1*	Locking Lint Basket with Lock (includes illus. nos. 1 through 6)
	845929	1*	Lint Drawer Handle Weldment – Cold Rolled Steel
	845928	1	Lint Drawer Screen Weldment
2	160039	1	Lint Drawer Lock Assembly (keyed to number XX4451)
	160140	1	Key ONLY for (key number XX4451)
	160014	1	Cam ONLY
3	117605	4	1/4" Thk x 3/8" W Neo Sponge Tape
4	154211	6	5/32" Buttonhead Pop Rivet
5	345048	1	Lint Drawer Stop
6	154220	1	3/16" Open End Dormed Pop Rivet

* Specify color when ordering.



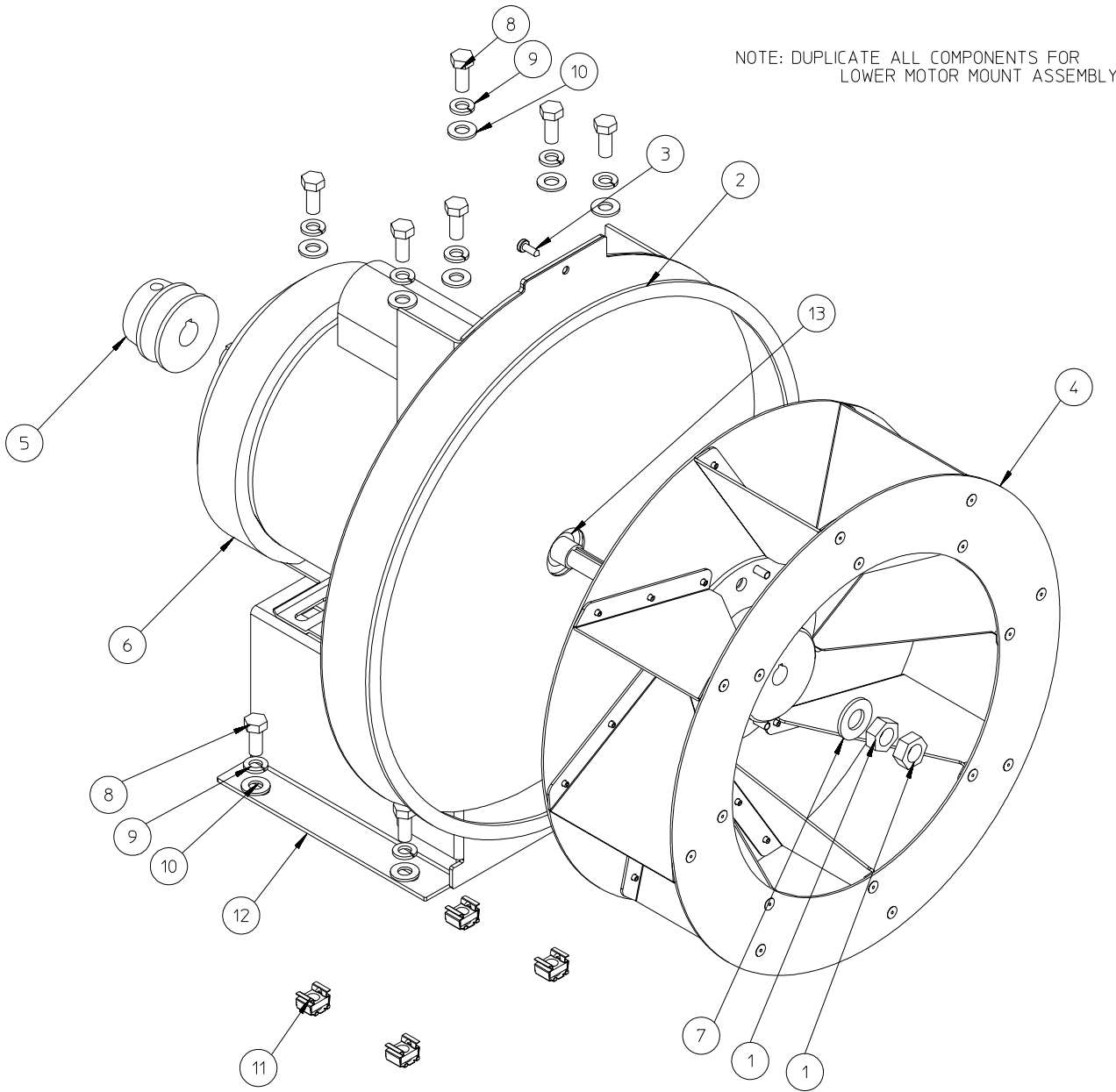
MAN7573

Illus. No.	Part No.	Qty.	Description
1	150601	2	3/8-16 x 2" H.H. Tap Bolt
2	153004	8	3/8" x 1" OD Flat Washer
3	880779	1	1-3/8" Pillow Block Bearing with Rotational Sensor
4	153005	2	3/8" Split Lock Washer
5	152005	2	3/8-16 Hex Nut
6	153002	4	5/16" Split Lock Washer
7	150501	4	5/16-18 x 3/4" Tap Bolt
8	150621	2	5/16-18 x 1-1/2" Tap Bolt
9	152004	4	5/16-18 -18 Hex Nut
10	150610	2	5/16-18 1-1/2" Allen Setscrew
11	170608	1	.25" x .25" Magnet
12	154321	2	5/16-24 x 3/8" Allen Setscrew
13	152050	4	9/16-12 Hex Nut
14	153025	4	9/16" Lock Washer
15	880220	1	1-3/4" Flange Bearing
16	824807	1	Rotational Sensor



MAN7578

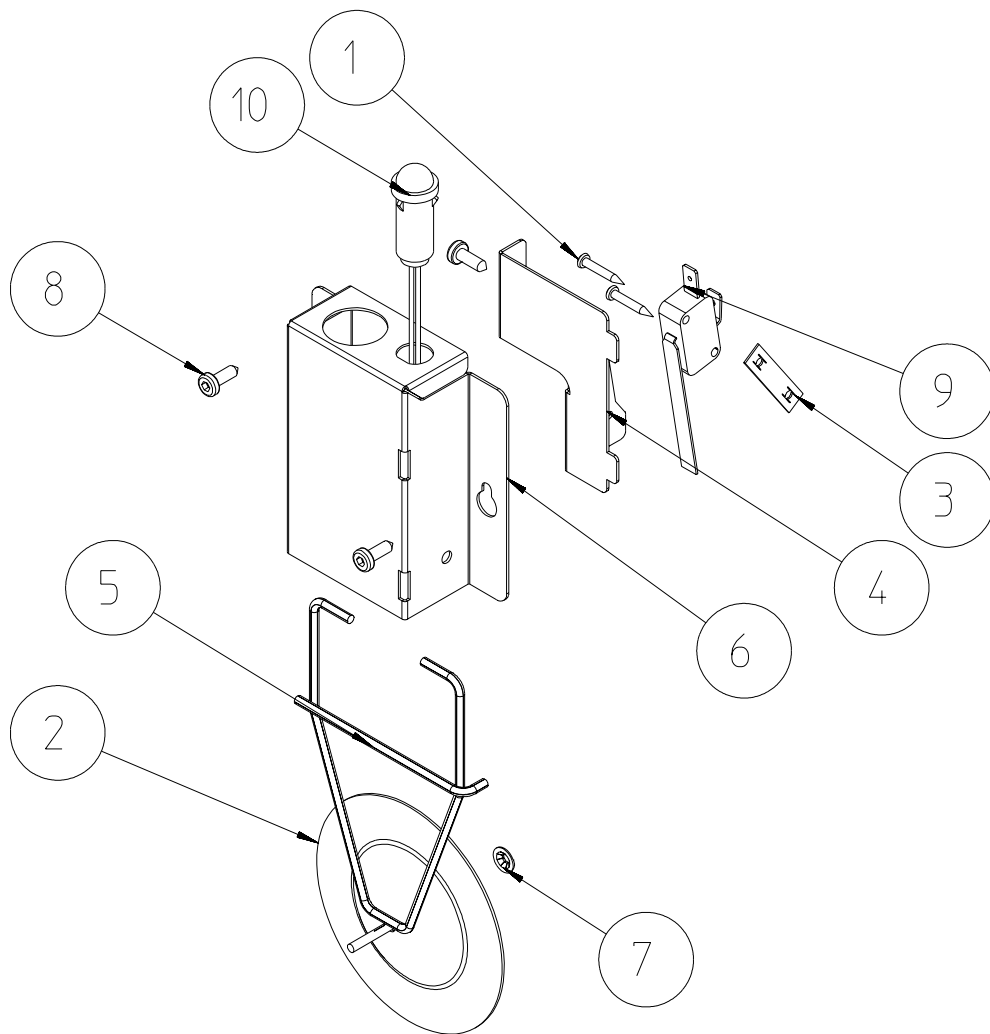
<u>Illus. No.</u>	<u>Part No.</u>	<u>Qty.</u>	<u>Description</u>
1	—	1	Basket Tumbler Support (refer to Tumbler / Support Assembly on page 12)
2	101129	1	9" x 2-1/2" Compound Pulley
3	100181	1	4L450 V-Belt
4	154301	2	5/16-18 x 5/16" Allen Cone Point Setscrew
5	100705	1	3/16" x 3/16" x 1-3/8" Key
6	882777	1	Steel Idler Assembly
7	150617	2	3/8-16 x 1" Hex Head Machine Screw
8	153005	2	3/8" Lock Washer
9	153004	2	3/8" Flat Washer
10	152004	1	5/16-18 Hex Nut
11	150509	1	5/16-18 x 3" Hex Head Machine Bolt
12	100147	1	5L630 V-Belt
13	100713	1	1/4" x 1/4" x 7/8" Key
14	101100	1	18" Pulley (tumbler)



NOTE: DUPLICATE ALL COMPONENTS FOR LOWER MOTOR MOUNT ASSEMBLY

MAN7571

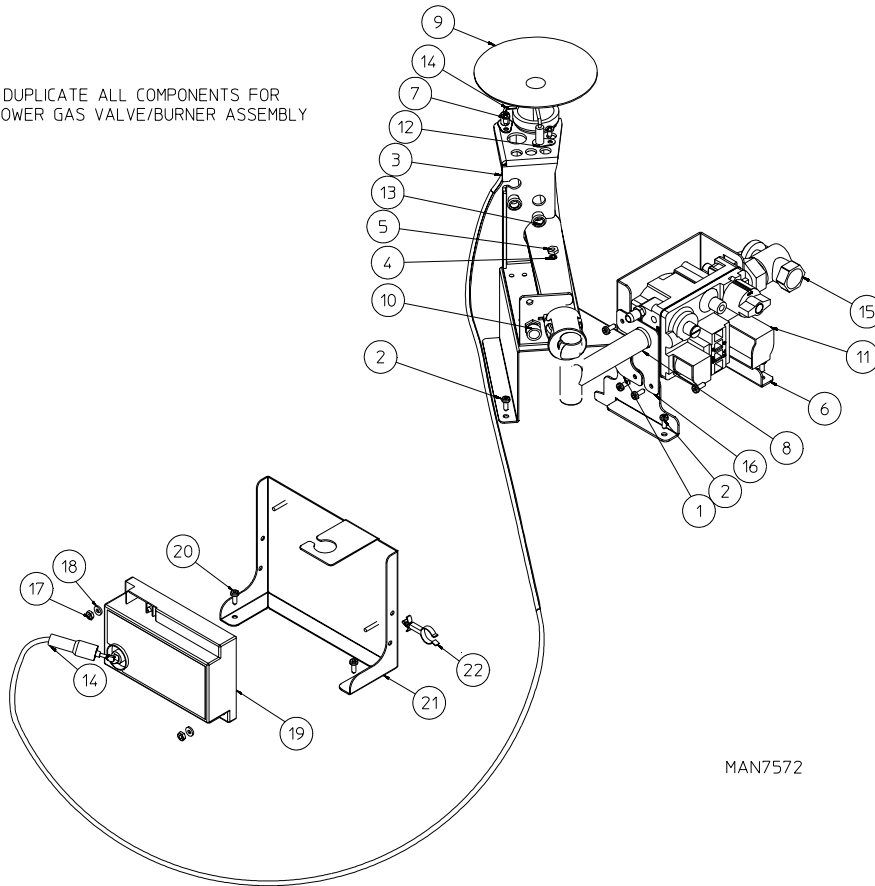
Illus. No.	Part No.	Qty.	Description
1	152006	2	1/2-20 L.H. Jam Nut
2	117604	1	1/8" Thk x 3/8" W Neo. Sponge Tape
3	150331	1	#8-18 x 1/2" T-20 TORX®
4	845783	1	13" Riveted Impellor 1/2" Bore
5	101132	1	2.0 OD x 5/8" Motor Pulley
6	100069	1	3/4" 115/230/60/1 with Plug
7	153050	1	1/2" x 1-1/16" Flat Washer
8	150501	8	5/16-18 x 3/4" Tap Bolt
9	153002	8	5/16" Split Lock Washer
10	153001	8	5/16" Flat Washer
11	154000	4	5/16-18 Tinnerman Clip
12	845935	1	3/4 hp Motor Mount Assembly 115/230/60/1-Phase
	845758	1	Motor Mount
13	116010	1	3" x 3" Felt Motor Seal



MAN7575

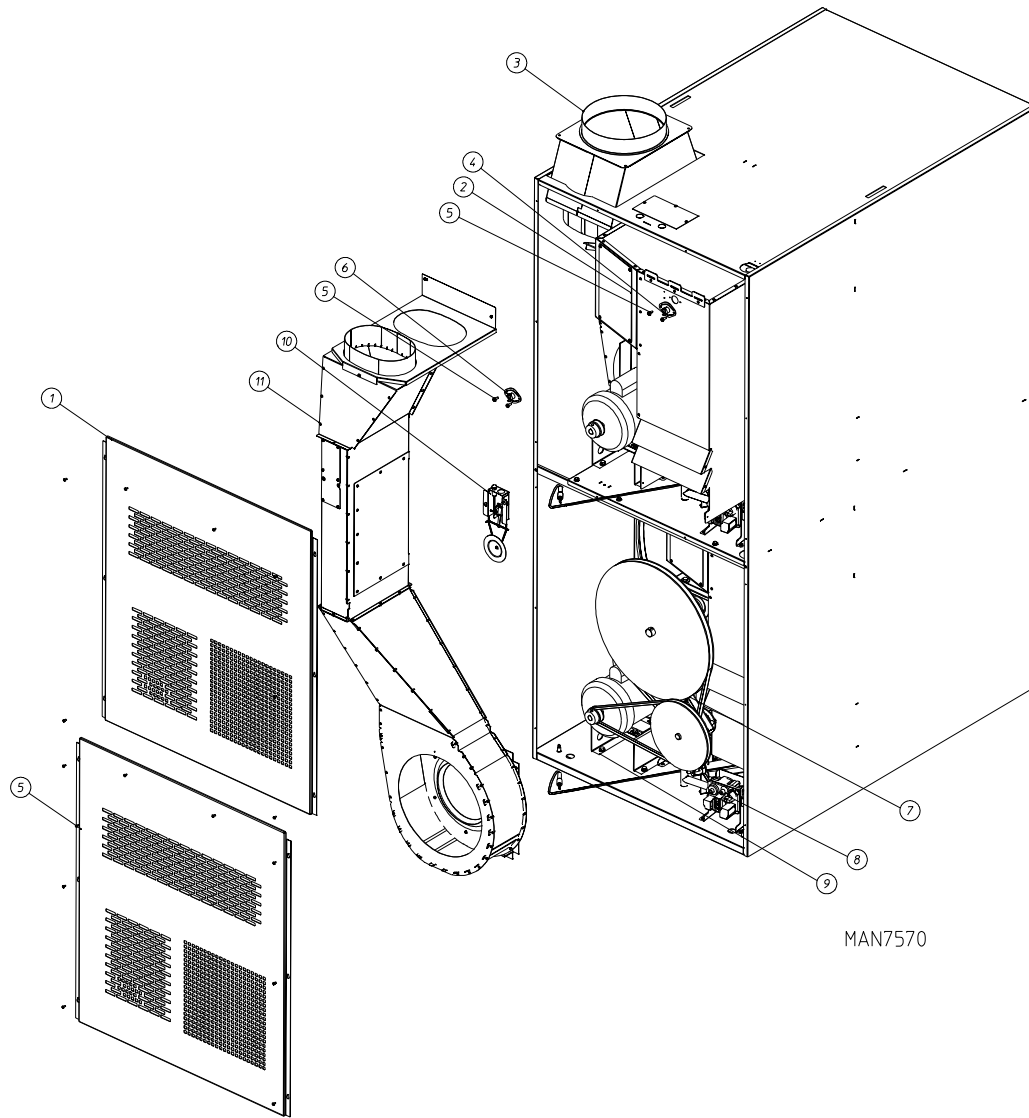
<u>Illus. No.</u>	<u>Part No.</u>	<u>Qty.</u>	<u>Description</u>
1	150303	2	#4 x 3/4" Pan Head "A" Machine Screw
2	345090	1	Sail Switch Damper (embossed)
	845942	1	Sail Switch with Mounting Hardware Assembly (includes illus. nos. 1 through 10)
3	154004	1	Twin Speed Nut
4	345092	1	Sail Switch Bracket
5	105500	1	Sail Switch Actuator Rod
6	345091	1	Sail Switch Cover
7	154002	1	1/8" Push-On Fastener
8	150331	3	#8-18 1/2" T-20 TORX® Screw
9	122200	1	Sail Switch
10	835516	1	Sail Switch Indicator Light Emitting Diode

NOTE: DUPLICATE ALL COMPONENTS FOR LOWER GAS VALVE/BURNER ASSEMBLY



MAN7572

Illus. No.	Part No.	Qty.	Description
1	845933	1	Natural Gas Burner Assembly (includes illus. nos. 1 through 16)
	845934		Burner Tube Bracket Support
2	150331	7	#8-18 x 1/2" TORX® Screw
3	318009	1	Burner Tube Bracket
4	153012	1	#8 Star Washer
5	152001	1	#8-32 Hex Nut
6	345085	1	Gas Valve Bracket
7	150301	2	#8-18 x 7/16" Phillips Screw
8	141235	1	1/2" Swage Manifold Port
9	141131	1	Upshot Burner Assembly
10	140834	1	#5 Burner Orifice (natural gas) ONLY
	887168	1	Direct Spark Ignition Liquid Propane Conversion Kit #31 Burner Orifice Liquid Propane ONLY
11	128927	1	1/2" 24 VAC Redundant (natural gas) Gas Valve
12	128918	1	Flame Sensor
13	121300	2	Open/Closed Bushing
14	829998	1	Fenwal High Voltage Cable Assembly
15	141320	1	1/2" Full Port Valve with Tailpiece
16	345108	1	Gas Valve Manifold Support
17	152013	2	#6-32 Hex Nut
18	153017	2	#6 Washer
19	887133	1	Fenwal Direct Spark Ignition Module Gray with 3 Tries
20	150331	2	#8-18 x 1/2" Pan Head TORX® Screw
21	845756	1	Direct Spark Ignition Module Mounting Plate Assembly
22	121502	1	1/2" Wire Standoff



MAN7570

<u>Illus. No.</u>	<u>Part No.</u>	<u>Qty.</u>	<u>Description</u>
1	345211	1	Back Guards
2	845931	1	Gas Burner Box ONLY
3	845822	1	Exhaust Transition Weldment
4	130201	1	330° Hi-Limit
5	150331	2	#8-18 x 1/2" T-20 TORX® Screw
6	130101	1	180° Axial Thermostat
7	—	—	Drive and Idler / Pulleys (refer to Drive and Idler / Pulleys on page 13)
8	—	—	Natural Gas Burner Assembly (refer to Gas Burner Assembly on page 16)
9	—	—	Motor Mount Assembly (refer to Motor Mount Assembly on page 14)
10	—	—	Sail Switch Assembly (refer to Sail Switch Assembly on page 15)
11	—	—	Exhaust Assembly Please contact factory for any parts

