

***Maytag***  
***MLG32PDBWW***  
***Parts Manual***  
***2001***

---

---

***For Internal Use Only***

---

---

**RETAIN THESE INSTRUCTIONS IN A SAFE PLACE  
FOR FUTURE REFERENCE**

**Maytag**  
One Dependability Square  
Newton, Iowa 50208  
(515) 792-7000

ADC Part No. 450660

## Retain This Manual In A Safe Place For Future Reference

This product embodies advanced concepts in engineering, design, and safety. If this product is properly maintained, it will provide many years of safe, efficient, and trouble-free operation.

*ONLY properly licensed technicians should service this equipment.*

**OBSERVE ALL SAFETY PRECAUTIONS** displayed on the equipment or specified in the installation/operator's manual included with the dryer.

### **FOR YOUR SAFETY**

**Do not store or use gasoline or other flammable vapors or liquids in the vicinity of this or any other appliance**

### **POUR VOTRE SECURITE**

**Ne pas entreposer ni utiliser d' essence ni d' autres vapeurs ou liquides inflammables dans le voisinage de cet appareil ou de tout autre appareil**

We have tried to make this manual as complete as possible and hope you will find it useful. Manufacturer reserves the right to make changes from time to time, without notice or obligation, in prices, specifications, colors, and material, and to change or discontinue models.

## **Important**

For your convenience, log the following information:

DATE OF PURCHASE \_\_\_\_\_ MODEL NO. **MLG32PDBWW** \_\_\_\_\_

DEALER'S NAME \_\_\_\_\_

Serial Number(s) \_\_\_\_\_

\_\_\_\_\_

For replacement parts, contact the dealer from which the dryer was purchased or contact:

**MAYTAG**  
403 West Fourth St. North  
Newton, Iowa 50208  
(515) 792-7000

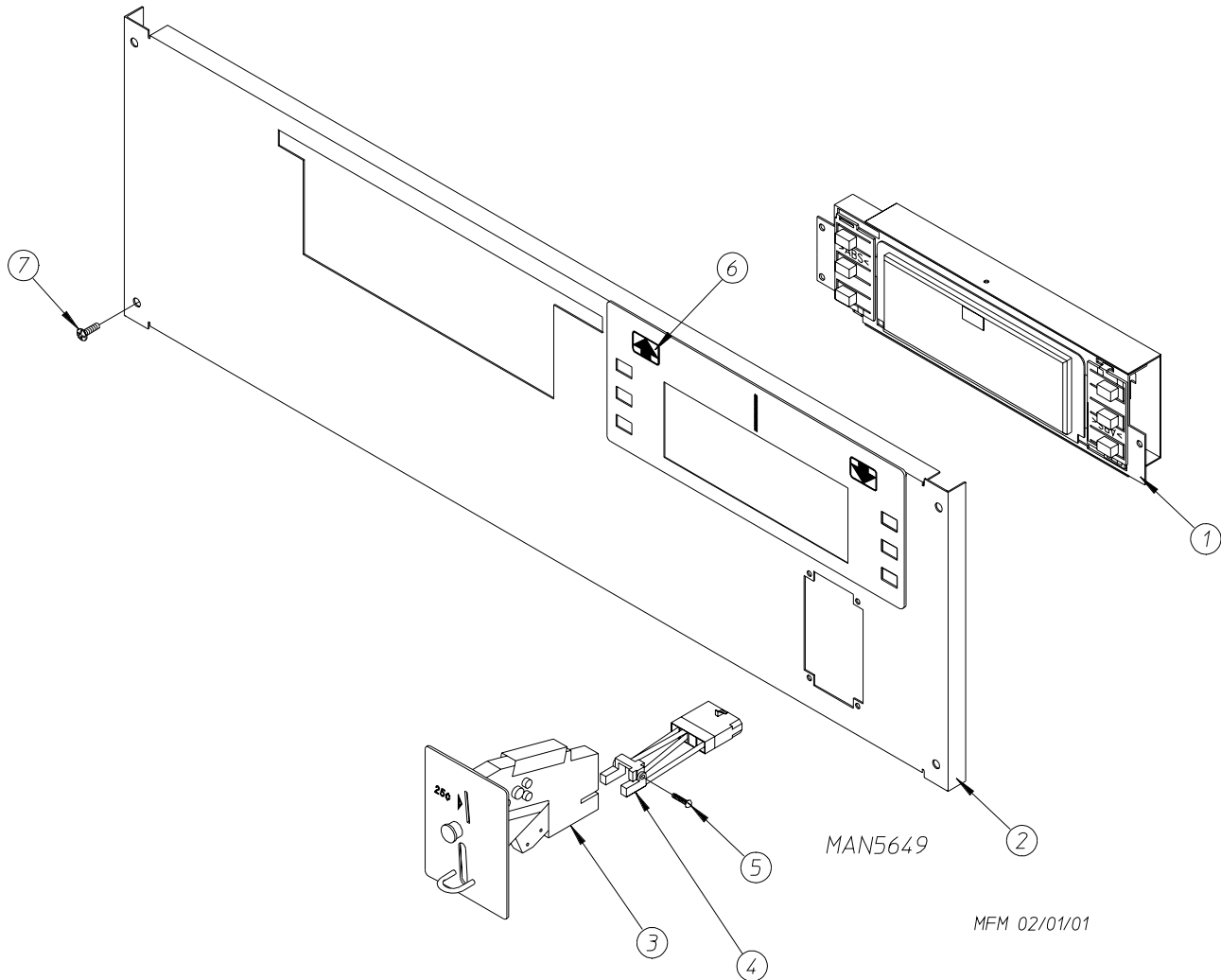
The illustrations on the following pages may not depict your particular dryer exactly. The illustrations are a composite of the various dryer models. Be sure to check the descriptions of the parts thoroughly before ordering.

### **“IMPORTANT NOTE TO PURCHASER”**

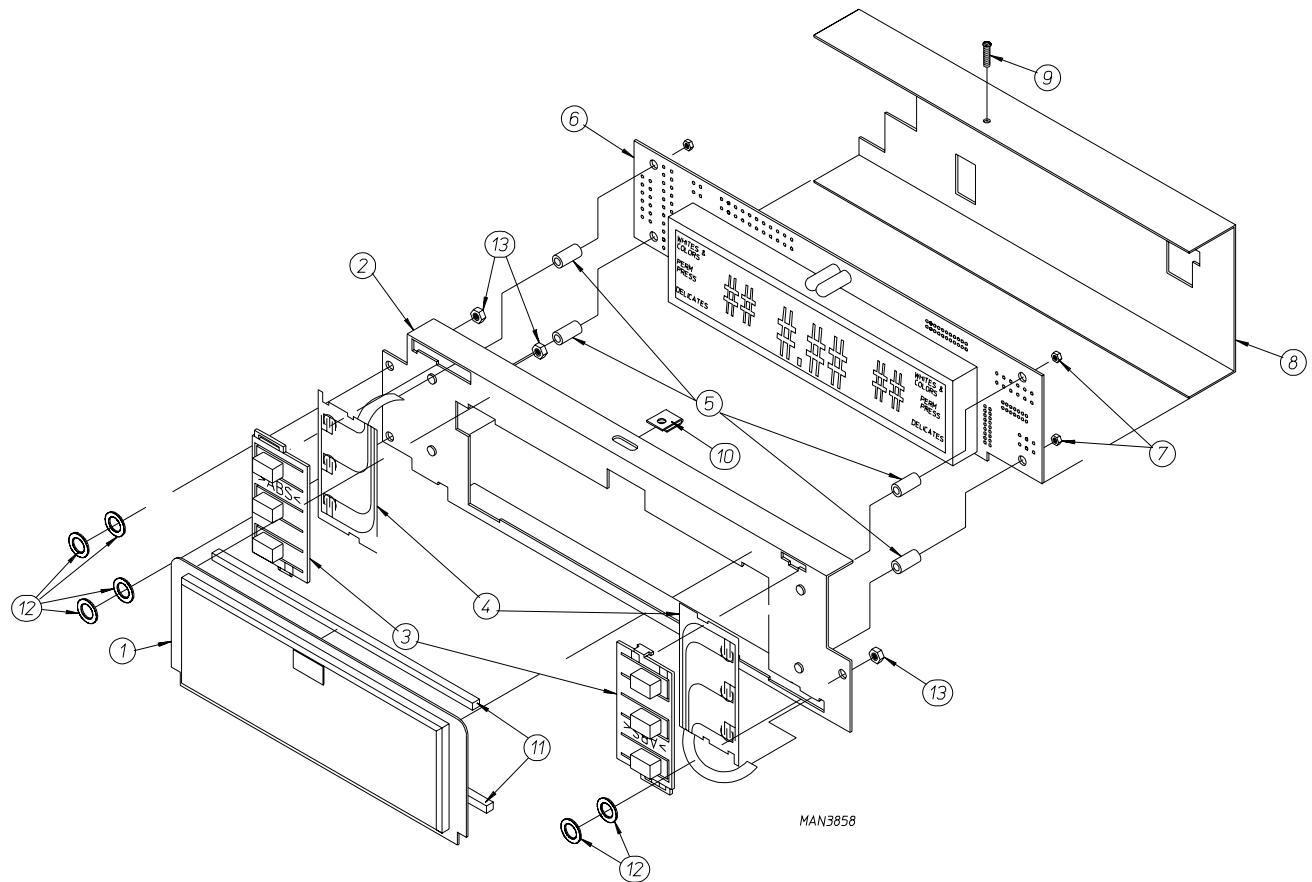
Information **must be** obtained from your local gas supplier on the instructions to be followed if the user smells gas. These instructions **must be** posted in a prominent location near the dryer.

# ***Table of Contents***

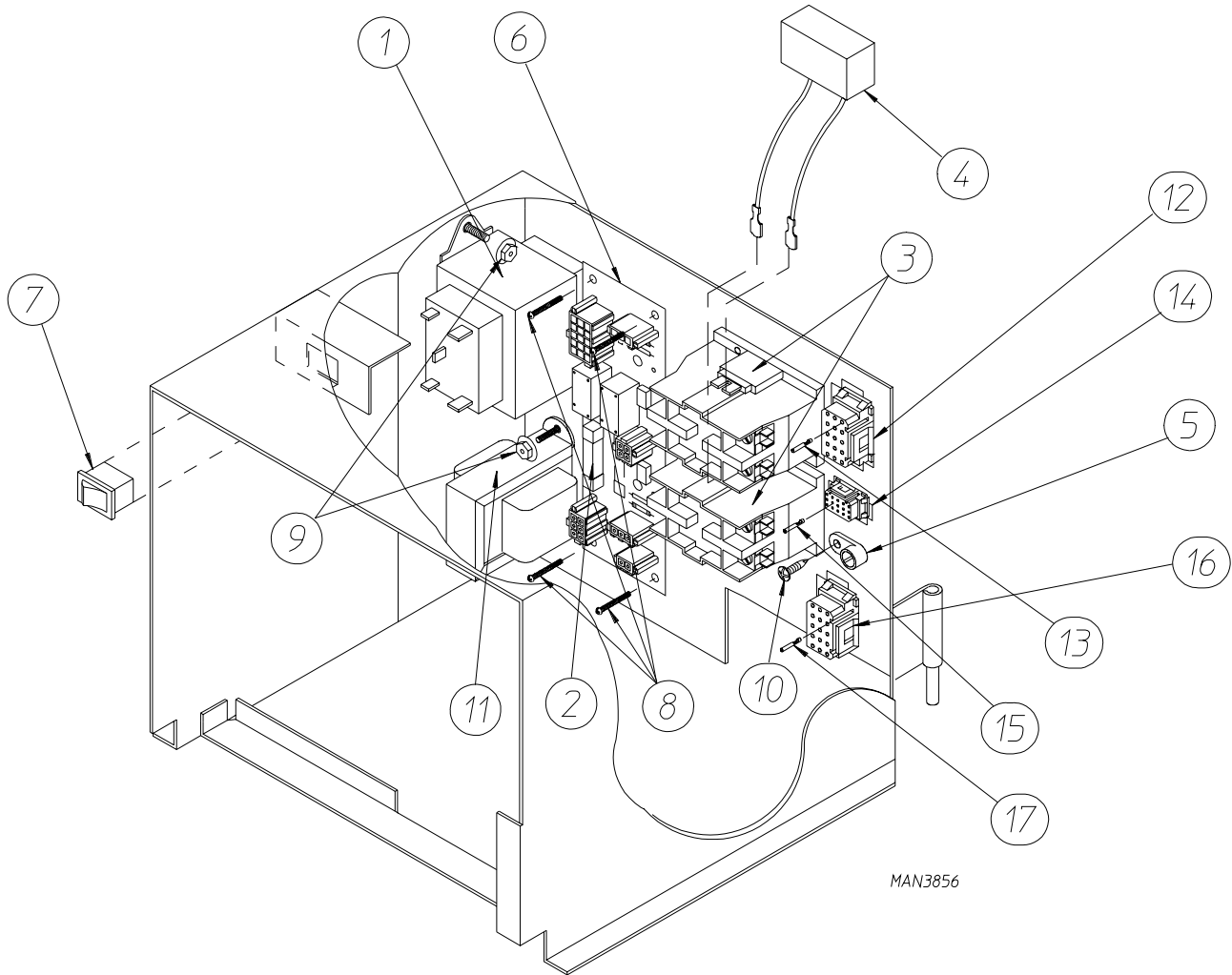
Main Computer/Coin Acceptor Assembly .....	2
Microprocessor Controller (Computer) Assembly .....	3
Microprocessor Control Box Assembly .....	4
Main Door Assembly .....	5
Upper Front Panel Assembly .....	6
Lower Front Panel Assembly .....	7
Main Door Switch Assembly .....	8
Coin Vault Assembly .....	9
Lint Door Assembly .....	10
Lint Coop Assembly .....	11
Lint Drawer Basket (Tumbler) Assembly .....	12
Lint Drawer Basket (Tumbler) Switch Assembly .....	13
Basket (Tumbler)/Support Assemblies .....	14
Temperature Sensor Bracket Assembly .....	15
Basket (Tumbler) Bearing Assembly .....	16, 17
Motor Mount Assembly .....	18, 19
DSI Gas Valve Train Assembly .....	20, 21
Burner Box/Gas Piping Assemblies .....	22, 23
Sail Switch Assembly .....	24
Idler Bearing Assembly .....	25
Exhaust Ducting Assembly .....	26
Back Guard Assembly .....	27
Cabinet Hi-Limit .....	28



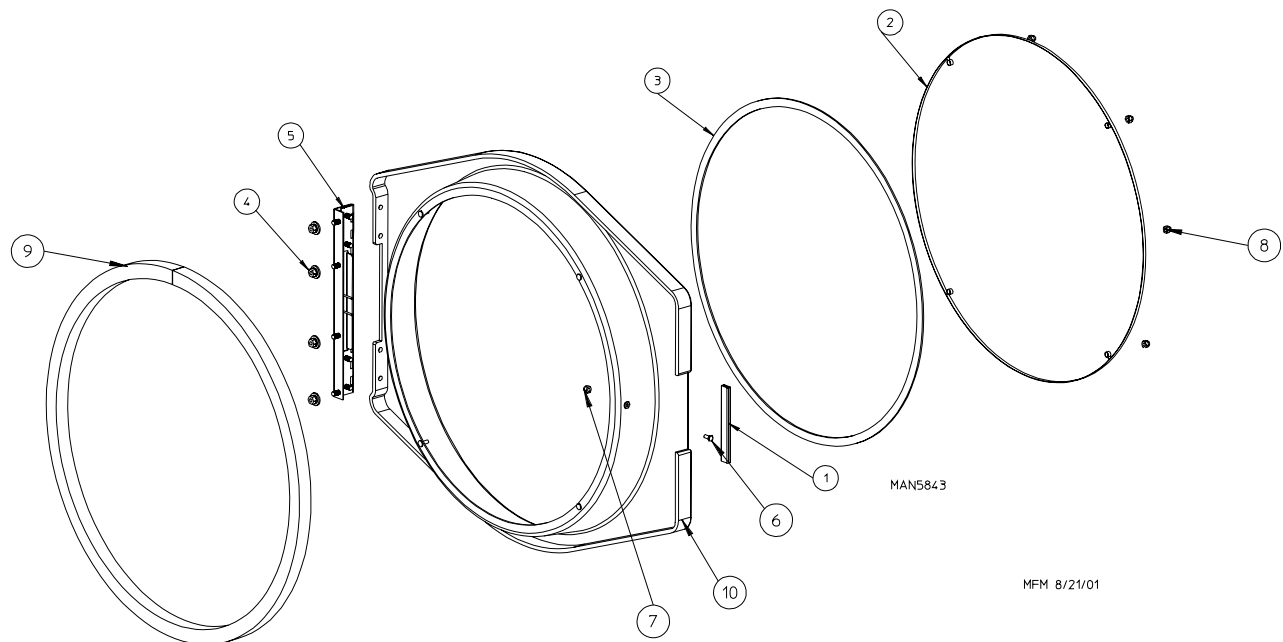
<u>Illus. No.</u>	<u>Part No.</u>	<u>Qty.</u>	<u>Description</u>
1	-----	1	Microprocessor Controller (computer) Refer to <b>Microprocessor Controller (Computer) Assembly</b> on <b>page 3</b>
2	883010	1	Control Door Assembly
3	125154	1	Coin Acceptor
4	125157	1	Optic Switch
5	150002	1	Screw
6	114075	1	<b>Maytag</b> Control Display Label
7	150314	4	#10-32 x 1/2" TORX Plus BTN Hex Head Machine Screw



<u>Illus. No.</u>	<u>Part No.</u>	<u>Qty.</u>	<u>Description</u>
1	112543	1	Microprocessor Controller (computer) Display Lens
2	800937	1	Microprocessor Controller (computer) Mounting Panel
3	112544	2	Membrane Switch Push Button
4	112541	2	Molex Membrane Switch
5	154334	4	1/2" x 1/4" Nylon Standoff
6	137239	1	Microprocessor Controller (computer) Board ONLY
7	152013	4	#6-32 x 1/4" Hex Nut
8	311514	1	Microprocessor Controller (computer) Board Cover
9	150310	1	#8 Phillips Pan Head "Type A" Screw
10	154008	1	Tinnerman "U" Clip
11	117605	1	Neoprene Sponge Tape (sold by the foot)
12	153022	6	#10 Steel Burr
13	152001	3	#8-32 Hex Nut

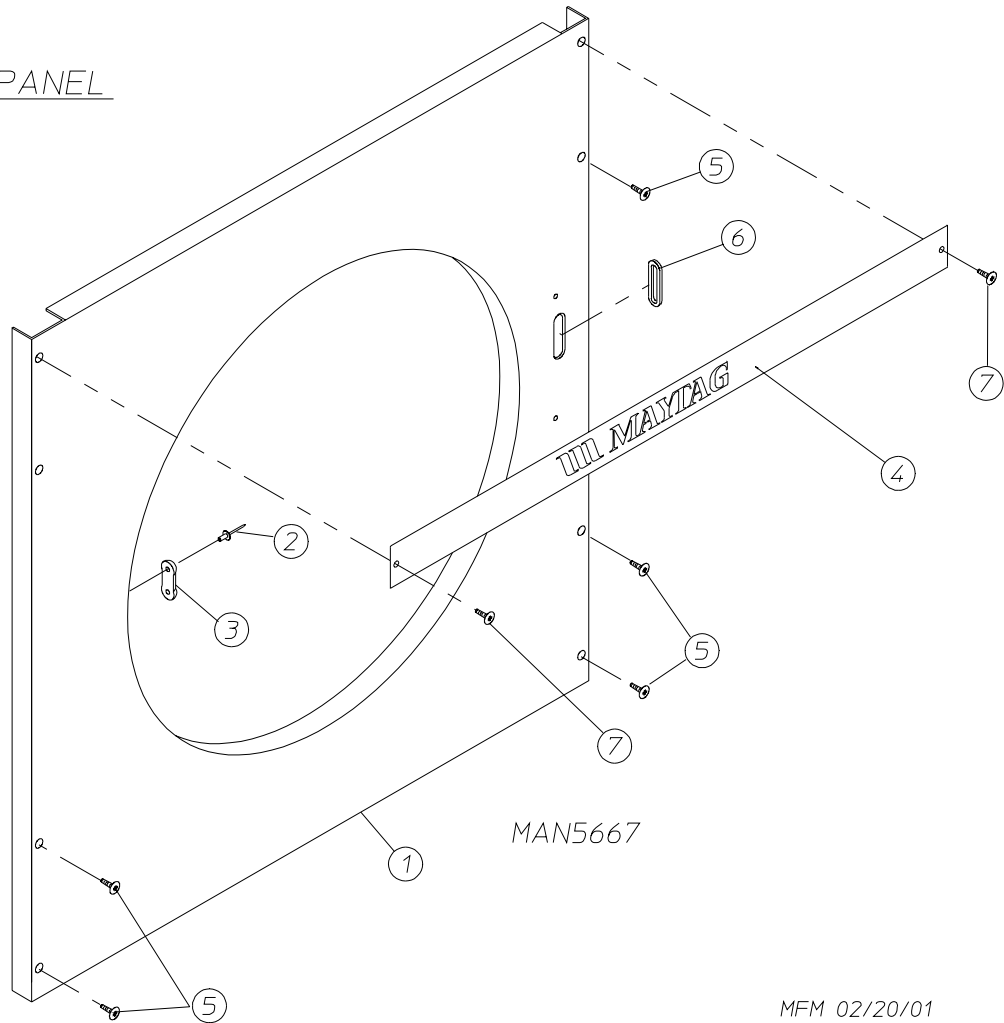


<u>Illus. No.</u>	<u>Part No.</u>	<u>Qty.</u>	<u>Description</u>
1	132068	1	Multi-Tap Transformer Assembly
2	136057	1	1/2-Amp (slo blo) Fuse
3	132451	2	2-Pole Motor Contractor
4	824828	2	RC Network with Connectors
5	121010	1	L-70 Ground Lug
6	137241	1	Interconnect Board
7	122401	1	Single-Pole-Single-Throw (SPST) Rocker Switch
8	150005	4	#6-32 x 1/4" Phillips Head Machine Screw
9	151001	4	#8-32 Pal Nut
10	150300	3	#10-16 X 1/2" Hex Washer TEK Screw
11	821982	1	25v Micro Transformer Assembly
12	122626	1	15-Pin Female Connector
13	122705	15	Socket
14	122631	1	6 Position Connector
15	122705	6	Socket
16	122626	1	15-Pin Connector
17	122705	15	Socket



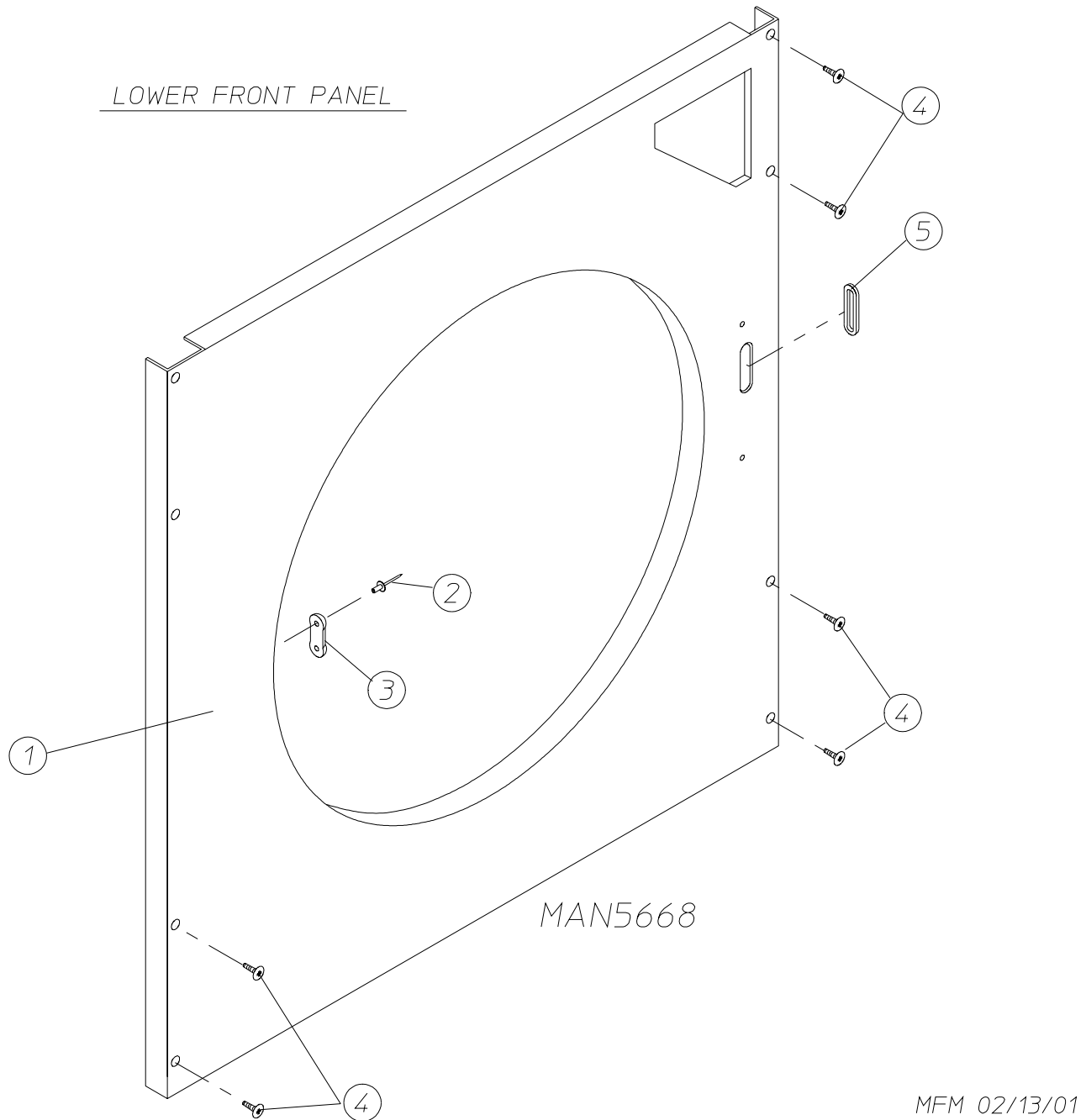
<u>Illus. No.</u>	<u>Part No.</u>	<u>Qty.</u>	<u>Description</u>
1	102328	1	Stamped Steel Main Door Handle
2	102219	1	Main Door Glass
3	102361	1	0.0937 x 5 Black Gasket Tape
4	152014	4	1/4-20 Free Spin Washnut
5	801524	1	11-1/2" Cold Rolled Steel (CRS) Main Door Hinge Assembly
6	150120	1	#10-32 0.4375 Door Latch Screw
7	151010	1	#10-32 Hex Acorn Locknut (black)
8	151013	4	#10-32 Acorn Nut (black)
9	102349	1	Small Door Extruded Gasket
10	882991	1	Formed Black Main Door Assembly with Hinge
	882965	1	Formed Beige Main Door Assembly with Hinge
	882966	1	Formed Gray Main Door Assembly with Hinge
	882967	1	Formed White Main Door Assembly with Hinge

UPPER FRONT PANEL

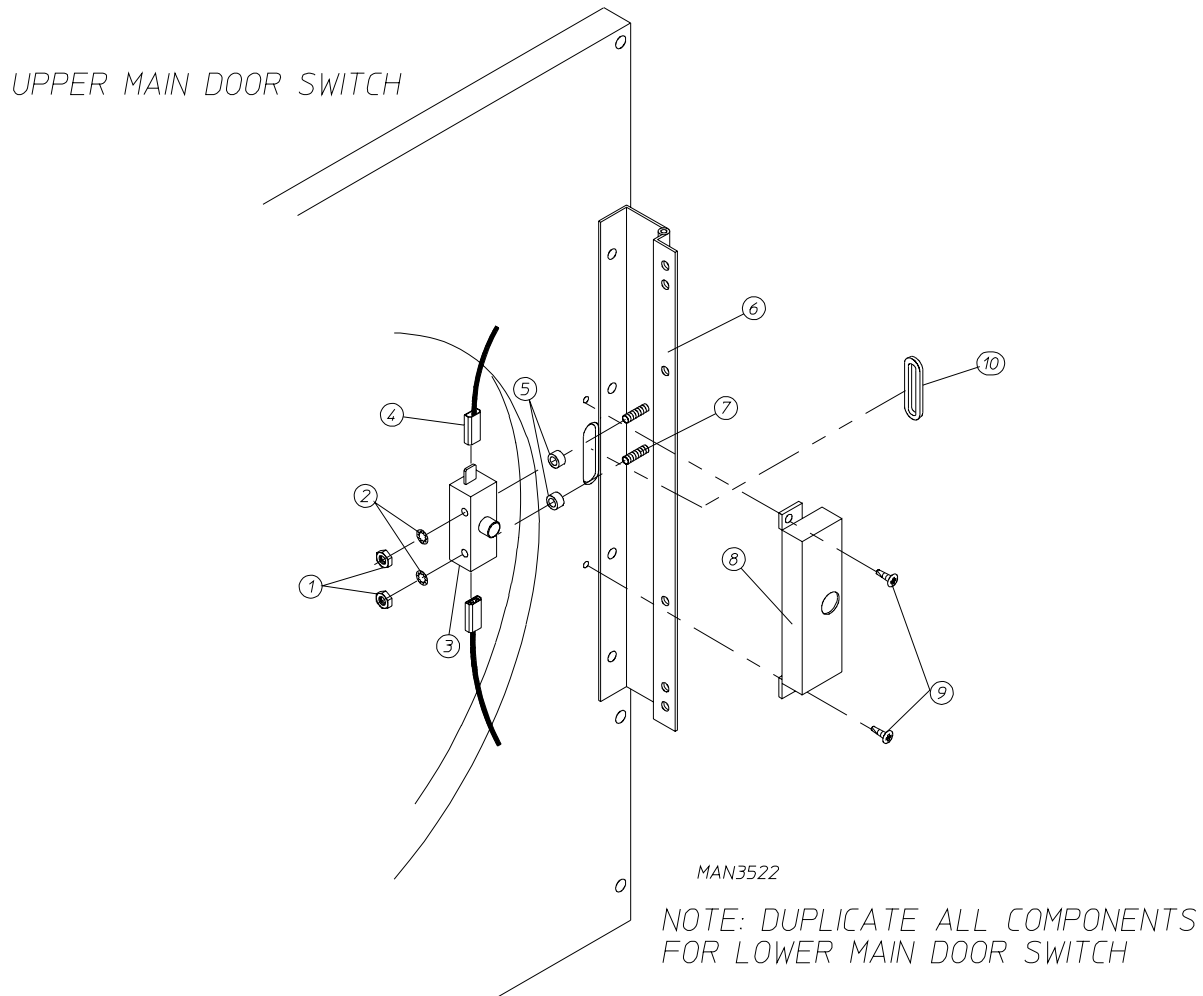


<u>Illus. No.</u>	<u>Part No.</u>	<u>Qty.</u>	<u>Description</u>
1	881973	1	White Upper Front Panel without Hinge (includes illus. nos. 1 through 3 and 6)
	882182	1	Bisque Upper Front Panel without Hinge (includes illus. nos. 1 through 3 and 6)
2	154215	2	1/8" Pop Rivet
3	881987	1	Friction Door Latch Kit (includes illus. nos. 2 and 3)
4	311580	1	<b>Maytag</b> Logo
5	150314	8	#10-16 x 1/2" TORX Plus BTN Hex Head Machine Screw
6	121405	1	Rubber Grommet
7	883017	2	Black Screw

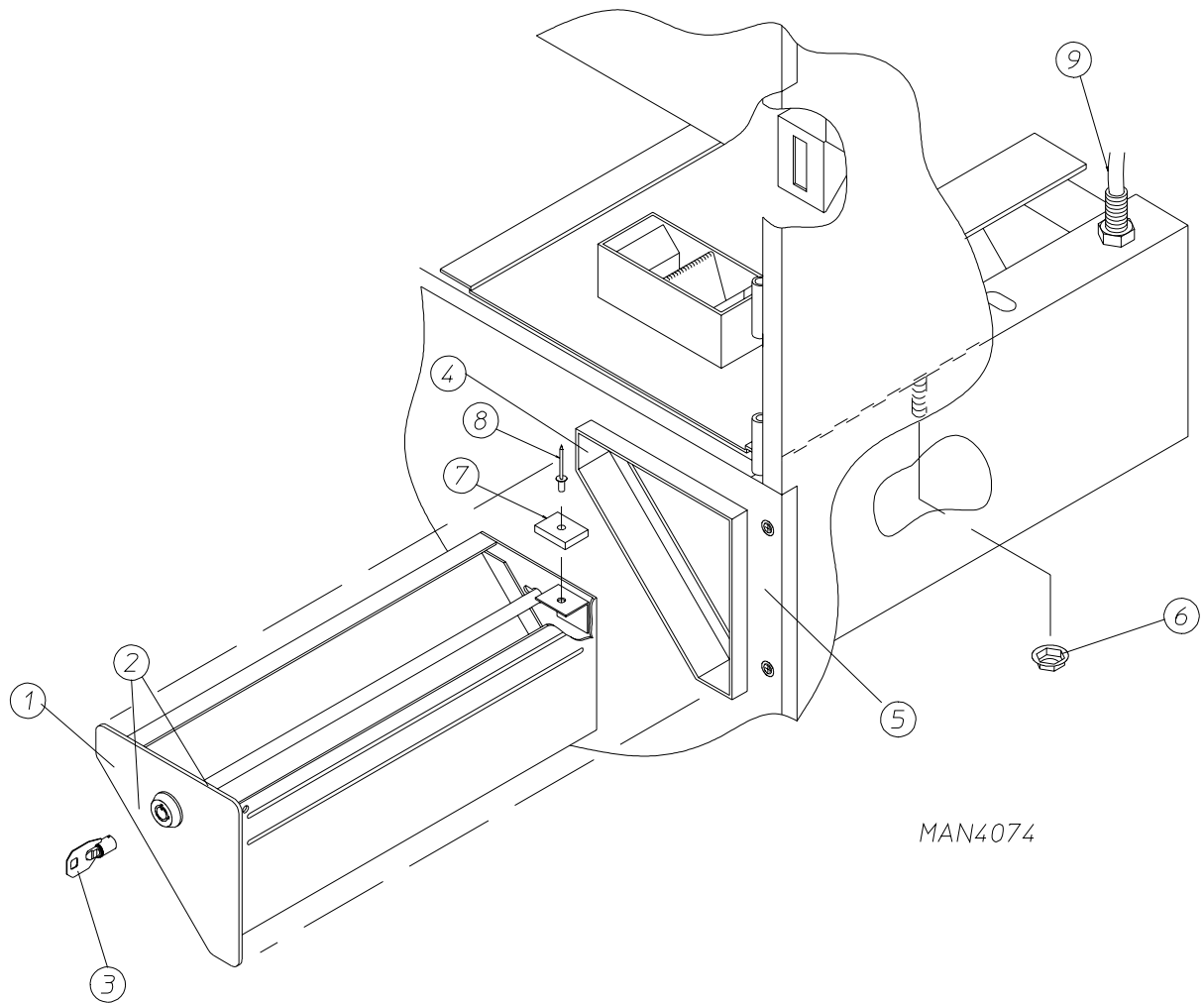




<u>Illus. No.</u>	<u>Part No.</u>	<u>Qty.</u>	<u>Description</u>
1	882061	1	White Lower Front Panel Assembly Complete without Hinge (includes illus. nos. 1 through 3 and 5)
	882183	1	Bisque Lower Front Panel without Hinge (includes illus. nos. 1 through 3 and 5)
2	154215	2	1/8" Pop Rivet
3	881987	1	Friction Door Latch Kit (includes illus. nos. 2 and 3)
4	150309	8	#10-16 x 1/2" TORX Plus BTN Hex Head Machine Screw
5	121405	1	Rubber Grommet



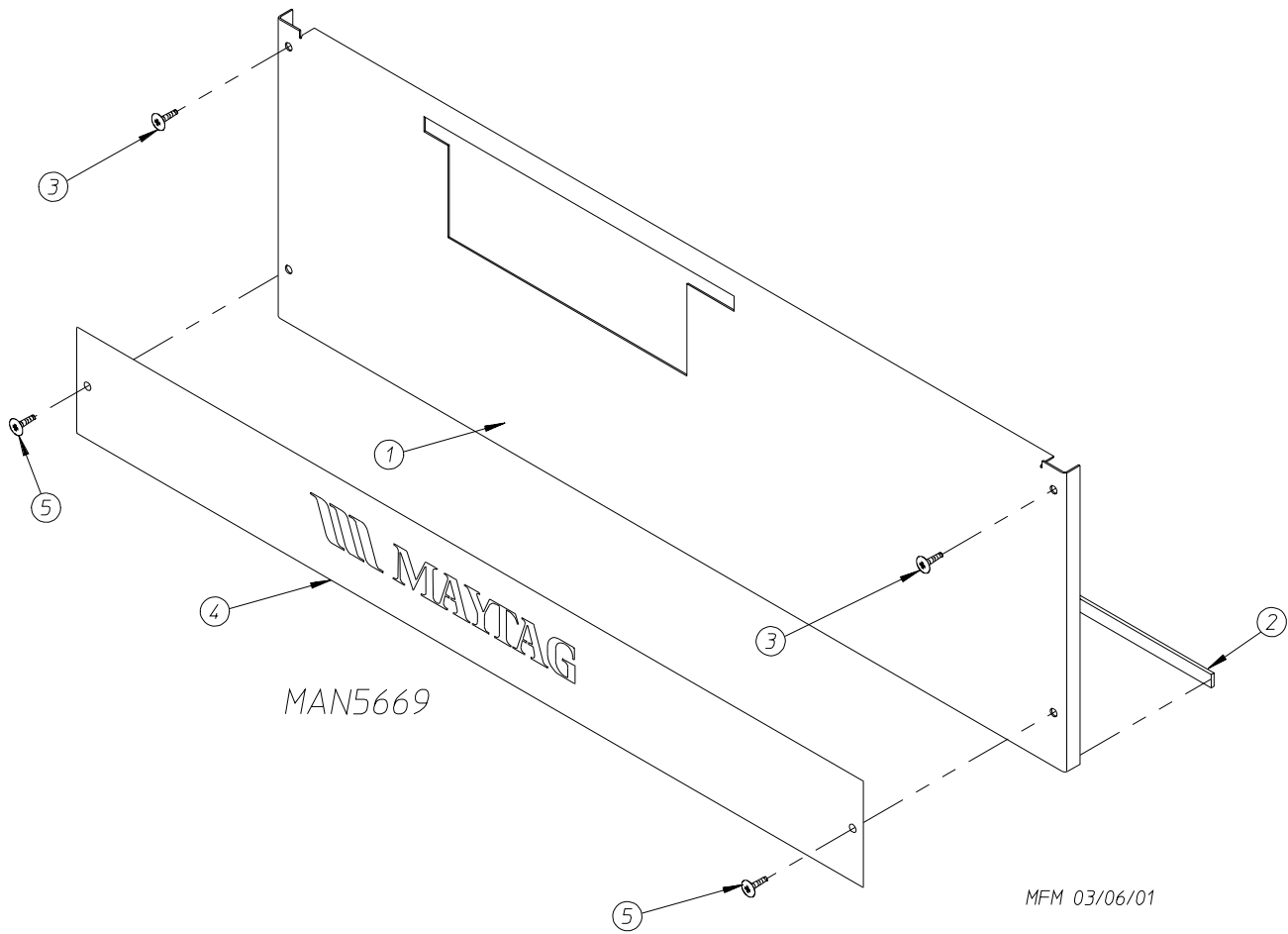
<u>Illus. No.</u>	<u>Part No.</u>	<u>Qty.</u>	<u>Description</u>
1	152013	2	#6-32 Hex Nut
2	153008	2	#6 Lock Washer
3	137005	1	Single-Pole Door Switch (SDS)
4	121028	2	Insulated Female Terminal
5	154281	2	3/8" Standard Nylon Spacer
6	-----	1	Steel Main Door Hinge (refer to <b>Main Door Assembly</b> on <b>page 5</b> )
7	-----	2	#6 Stud (refer to <b>Main Door Assembly</b> on <b>page 5</b> )
8	881246	1	Main Door Switch Housing ONLY
9	150201	2	#10-32 x 1/4" Phillips Pan Head TEK Screw
10	121405	1	Rubber Grommet



MAN4074

<u>Illus. No.</u>	<u>Part No.</u>	<u>Qty.</u>	<u>Description</u>
1	882194	1	Coin Box ONLY with Magnet
	882028	1	White Coin Box Faceplate ONLY
	882184	1	Bisque Coin Box Faceplate ONLY
2	160036	1	Ace® Lock Assembly with Key
3*	160136	1	Ace® Key ONLY
4	881975	1	White Coin Vault ONLY
	883020	1	Bisque Coin Vault ONLY
5	-----	1	Lower Front Panel (refer to <b>Lower Front Panel Assembly</b> on <a href="#">page 7</a> )
6	152014	4	1/4-20 Free Spin Wash Nut
7	102102	1	1" x 3/4" x 0.197 Magnet
8	154200	1	5/32" Pop Rivet
9	824807	1	Rotational Sensor Magnetic Reed Switch Assembly

\* Specify key number when ordering.

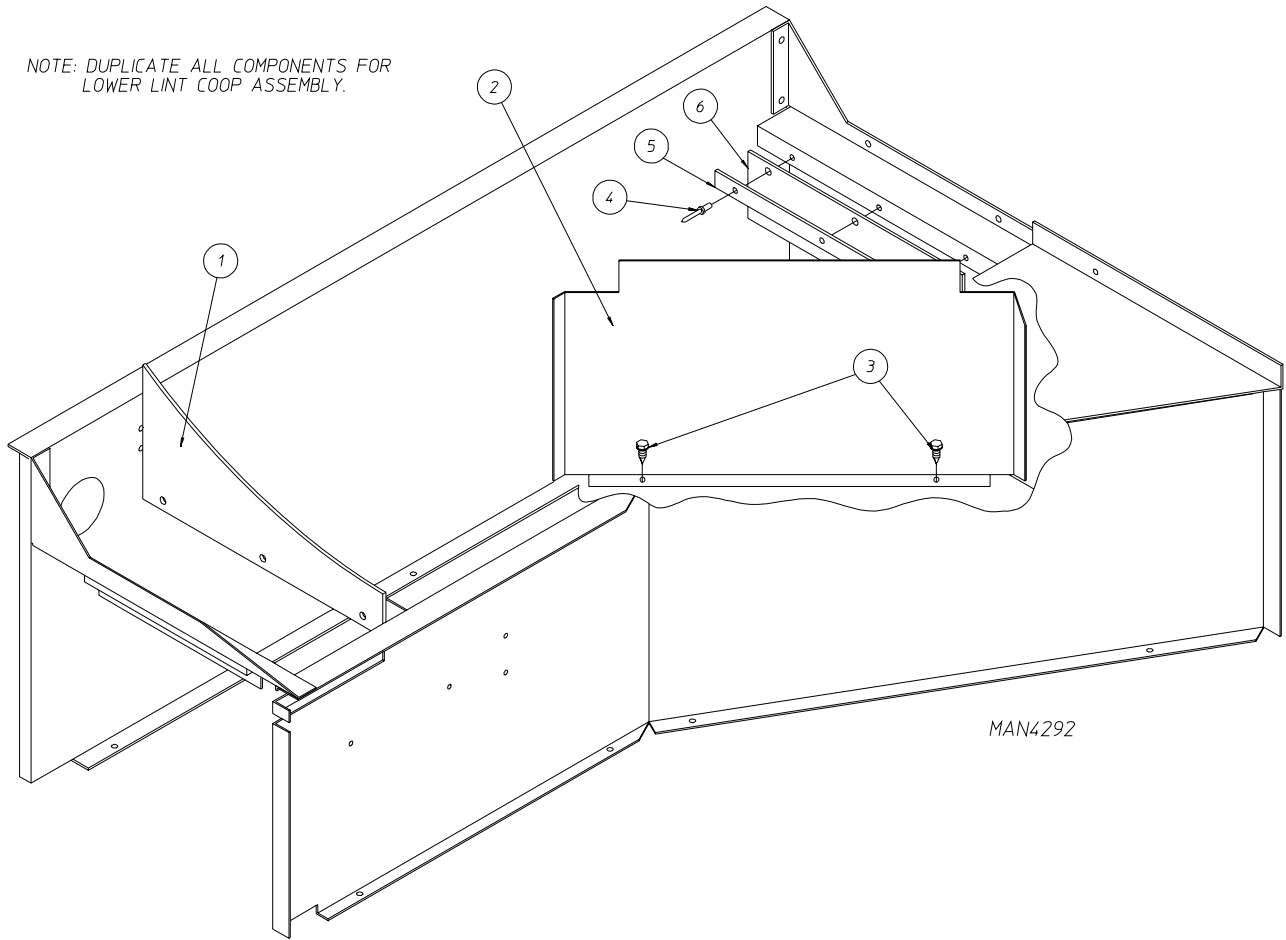


MFM 03/06/01

<u>Illus. No.</u>	<u>Part No.</u>	<u>Qty.</u>	<u>Description</u>
1	883021	1	White Lint Door Assembly Complete (includes illus. nos. 1 and 2)
	883022	1	Bisque Lint Door Assembly Complete (includes illus. nos. 1 and 2)
2	117604	4	1/8" x 3/8" Neoprene Sponge Tape (sold by the foot)
3	150314	4	#10-32 x 1/2" TORX Plus BTN Hex Head Machine Screw
4	311581	1	<b>Maytag</b> Logo
5	883017	2	Black Screw

LINT COOP ASSEMBLY

NOTE: DUPLICATE ALL COMPONENTS FOR LOWER LINT COOP ASSEMBLY.

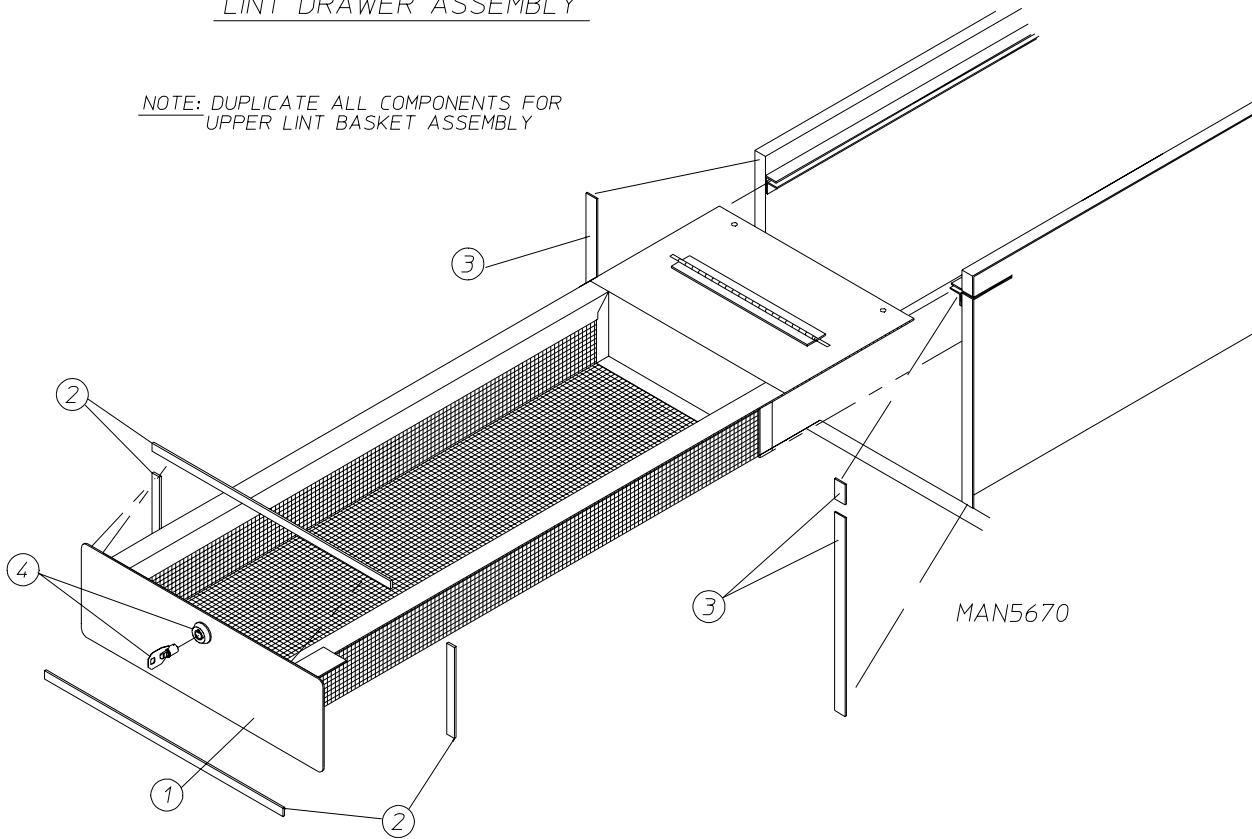


MAN4292

<u>Illus. No.</u>	<u>Part No.</u>	<u>Qty.</u>	<u>Description</u>
1	882249	1	Wire Clip/Lint Coop Assembly with Felt
2	311527	1	Lint Coop Baffle
3	150300	2	#10-16 x 1/2" Hex Washer Screws
4	154200	3	Pop Rivet
5	317650	1	Felt Seal Retainer
6	116012	1	Lint Basket Seal

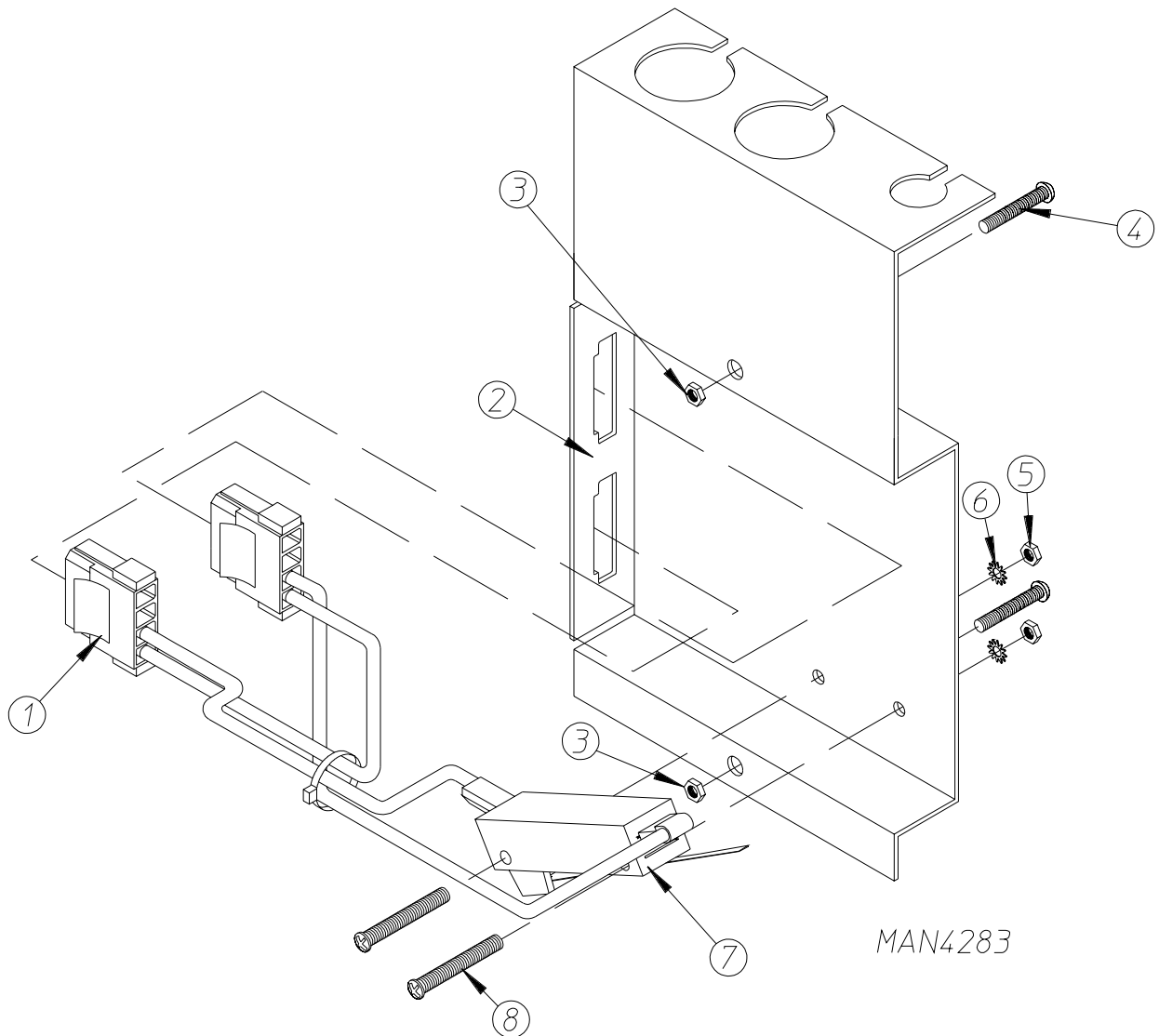
LINT DRAWER ASSEMBLY

NOTE: DUPLICATE ALL COMPONENTS FOR UPPER LINT BASKET ASSEMBLY

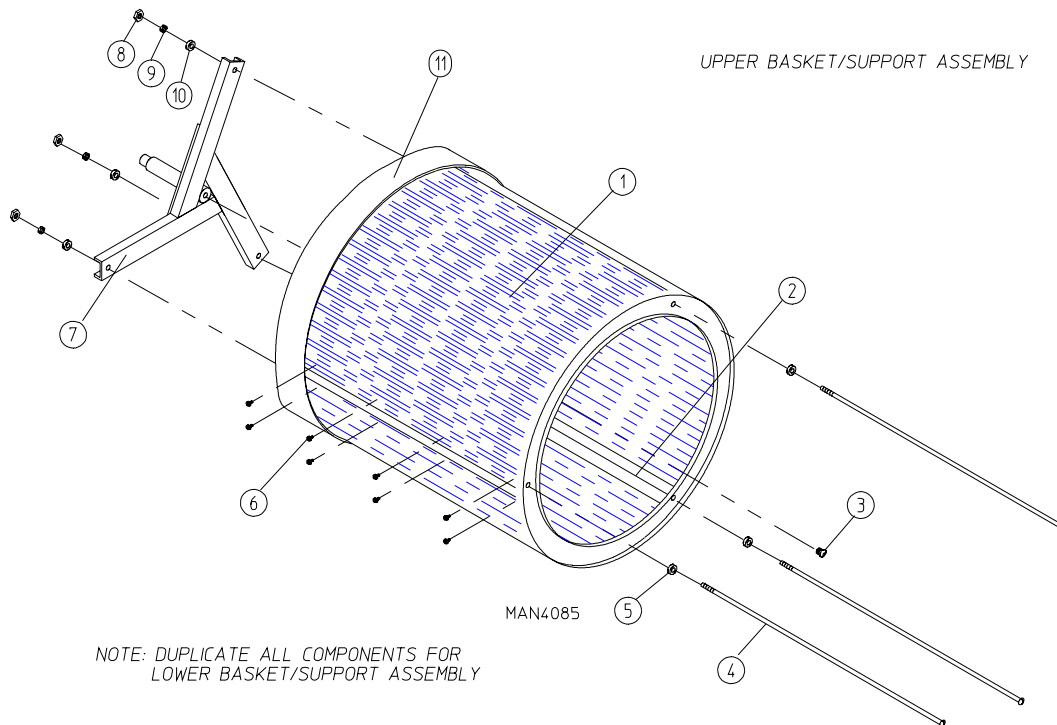


MFM 03/06/01

<u>Illus. No.</u>	<u>Part No.</u>	<u>Qty.</u>	<u>Description</u>
1	883023	1	White Locking Lint Basket Less Lock (includes illus. nos. 1 and 2)
	883024	1	Bisque Locking Lint Basket Less Lock (includes illus. nos. 1 and 2)
2	117605	4	1/4" x 3/8" Neoprene Sponge Tape (sold by the foot)
3	117605	3	1/4" x 3/8" Neoprene Sponge Tape (sold by the foot)
4	160039	1	Lint Drawer Lock Assembly (keyed to number XX4451)
	160140	1	Key ONLY (key number XX4451)
	160034	1	Cam ONLY...Not Illustrated

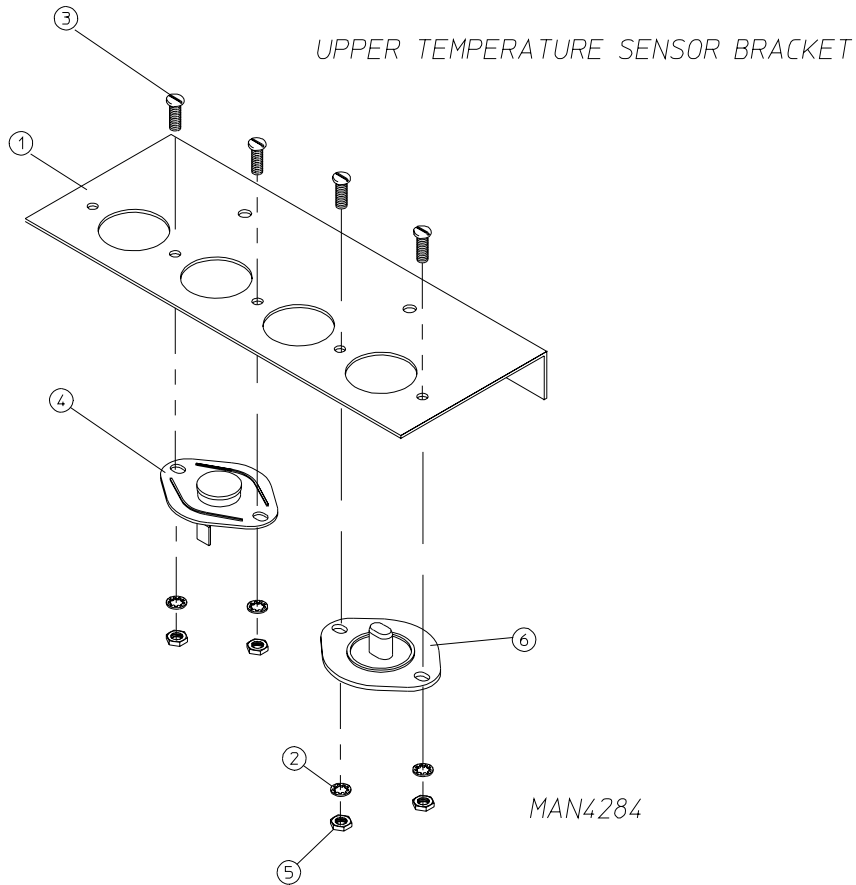


<u>Illus. No.</u>	<u>Part No.</u>	<u>Qty.</u>	<u>Description</u>
1	882188	1	Top Lint Drawer Switch Harness ONLY
	882187	1	Bottom Lint Drawer Switch Harness ONLY
2	882185	1	Top Lint Door Switch Assembly
	882189	1	Bottom Lint Door Switch Assembly
3	152013	2	#6-32 Hex Nut
4	150001	2	#6-32 x 1/2" Phillips Round Head Machine Screw
5	152000	2	#6-32 Hex Nut
6	153010	2	#6 Star Washer
7	136992	1	Lint Drawer Basket (tumbler) Safety Switch
8	150002	2	#6-32 x 1" Phillips Round Head Machine Screw



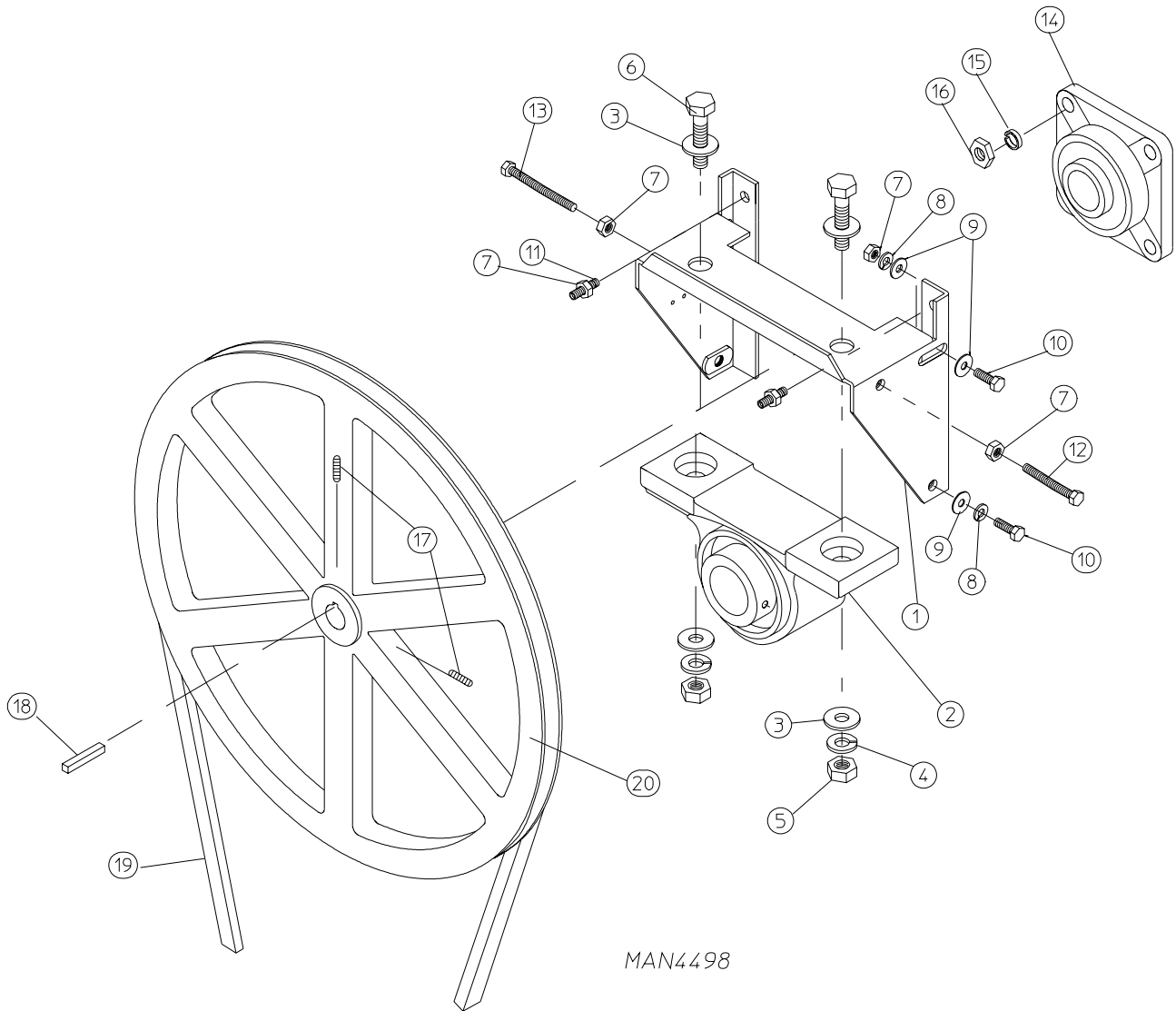
<u>Illus. No.</u>	<u>Part No.</u>	<u>Qty.</u>	<u>Description</u>
1	800994	1	Basket (tumbler)/Support Assembly Complete (includes illus. nos. 1 through 11)
	882192	1	Basket (tumbler) ONLY with Felt Collar
2	301315	2	Short Tapered Rib
	301316	1	Tall Tapered Rib
3	150518	1	5/16" x 3/8" Socket Head Screw
4	100915	3	3/8-16 x 31" Tie Rod
5	153004	3	3/8" Flat Washer
6	150413	30	#10-16 x 1/2" TORX Head Crimpite Screw
	150429	1	TORX Hand Driver (for removal of TORX head screw)
7	850064	1	Basket (tumbler) Support ONLY
8	152005	3	3/8-16 Hex Nut
9	153005	3	3/8" Lock Washer
10	153004	3	3/8" Flat Washer
11	115999	1	Felt Collar ONLY
	401010	-	#847 Adhesive For Felt Collar (5 oz. tube)





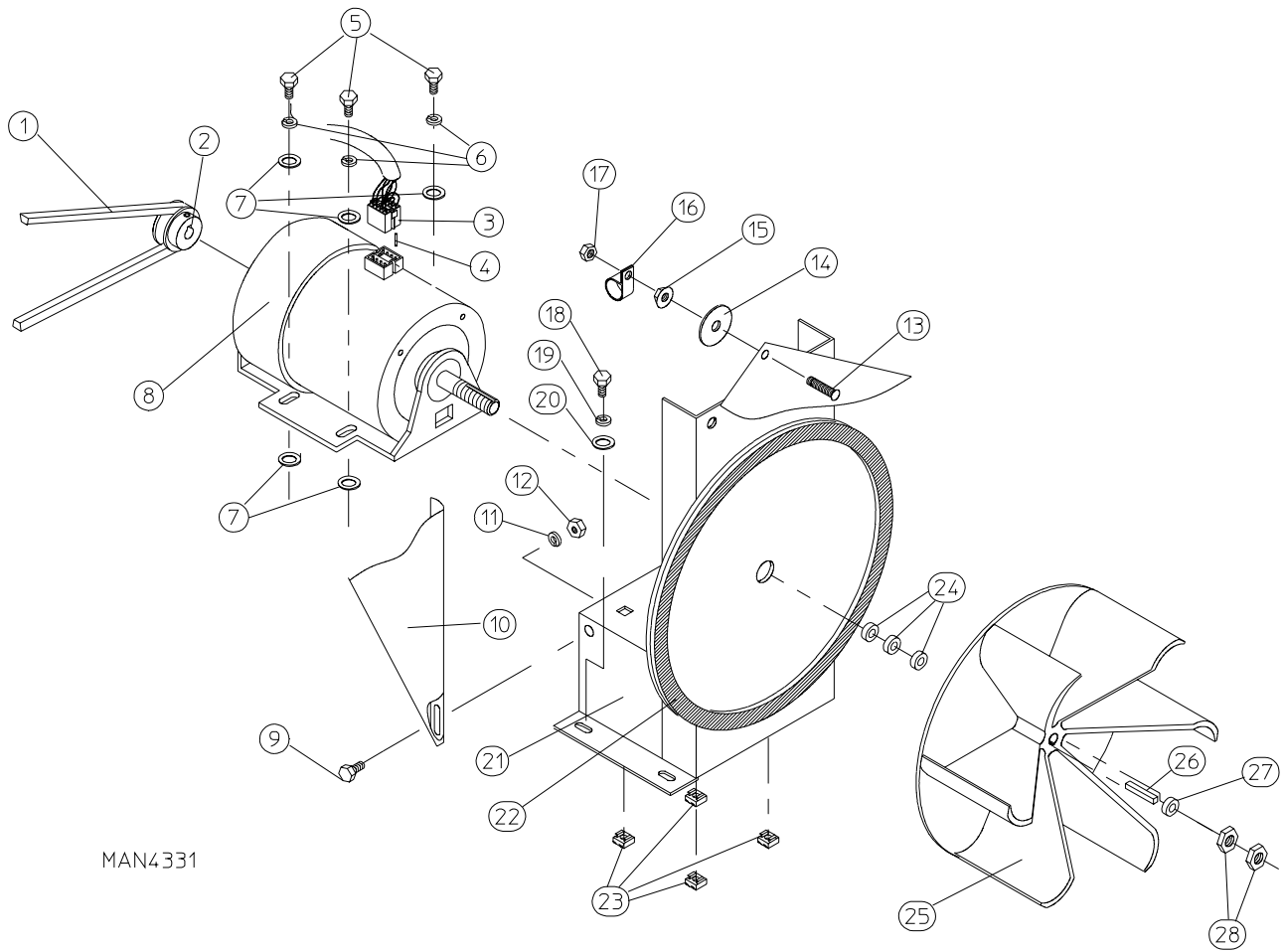
NOTE: DUPLICATE ALL COMPONENTS FOR LOWER TEMPERATURE SENSOR BRACKET

<u>Illus. No.</u>	<u>Part No.</u>	<u>Qty.</u>	<u>Description</u>
1	882186	1	Temperature Sensor Bracket (II) Complete (includes illus. nos. 1 through 7)
	311505	1	Temperature Sensor Bracket ONLY
2	153010	4	#6 Star Washer
3	150005	4	#6-32 x 1/4" Round Head Machine Screw
4	130118	1	170° Thermostat ONLY
5	152000	4	#6-32 Hex Nut
6	130117	1	Thermister
-	821987	1	Sensor Bracket Harness (top)...Not Illustrated
-	821988	1	Sensor Bracket Harness (bottom)...Not Illustrated



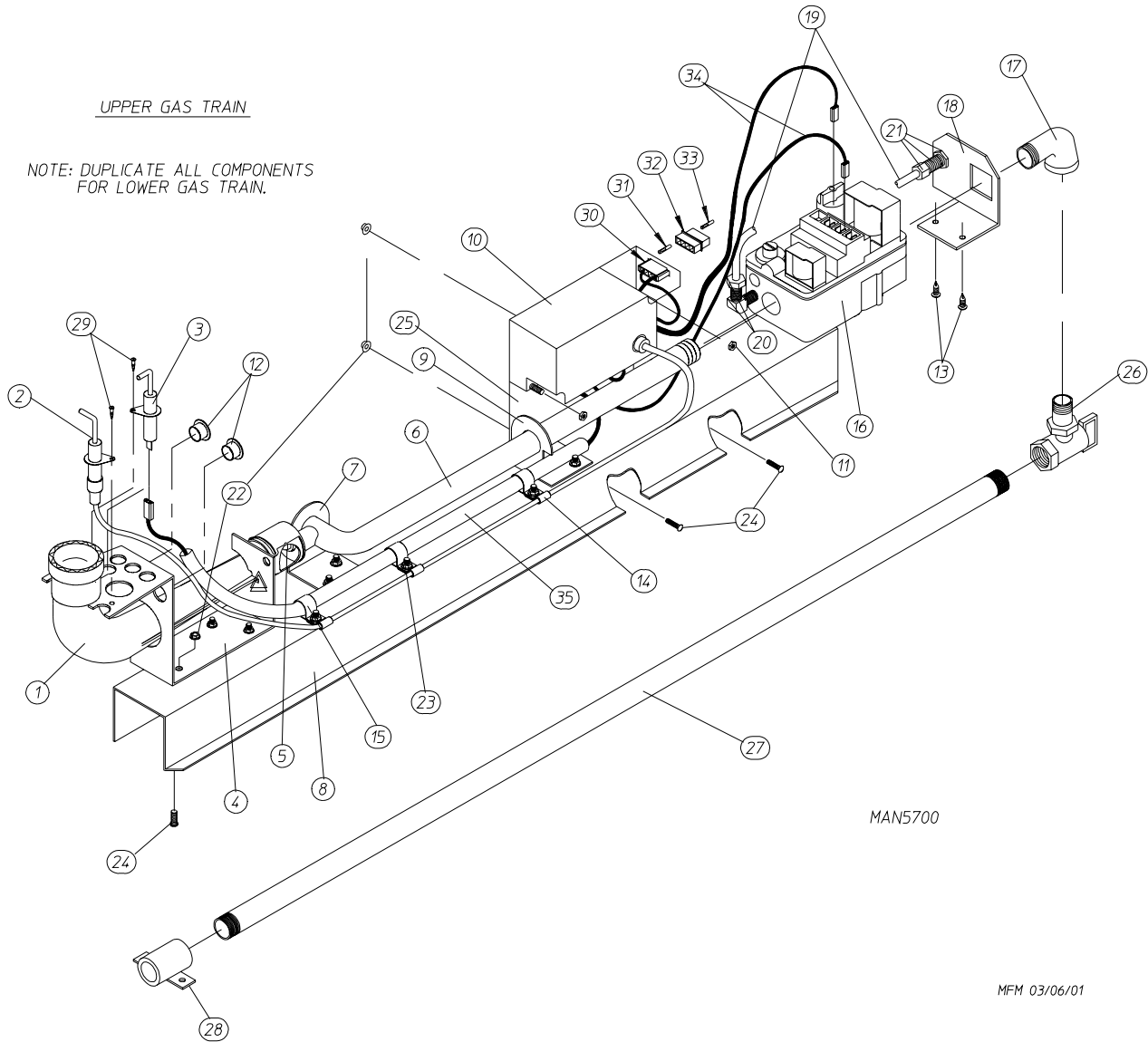
---

<u>Illus. No.</u>	<u>Part No.</u>	<u>Qty.</u>	<u>Description</u>
1	882250	1	Basket (tumbler) Support Complete (includes illus. nos. 1 through 13)
	882251	1	Basket (tumbler) Support ONLY
2	880202	4	1-3/8" Pillow Block Bearing
3	153004	4	3/8" Flat Washer
4	153005	2	3/8" Lock Washer
5	152005	2	3/8-16 Hex Nut
6	150600	2	3/8-16 x 1-1/2" Hex Nut
7	152004	6	5/16-18 Hex Nut
8	153002	4	5/16" Lock Washer
9	153001	6	5/16" Flat Washer
10	150621	4	5/16-18 x 1-1/2" Hex Bolt
11	150610	2	5/16-18 x 1/2" Allen Setscrew
12	150509	1	5/16-18 x 3" Hex Bolt
13	150613	1	5/16-18 x 4" Hex Bolt
14	880203	1	1-3/8" Flange Bearing
15	153005	4	3/8" Lock Washer
16	152005	4	3/8" Hex Nut
17	154301	2	5/16-18 x 1" Allen Setscrew
18	100713	1	1/4" x 1/4" x 7/8" Key
19	100100	1	5L-650 V-Belt
20	101100	1	18" Pulley



MAN4331

<u>Illus. No.</u>	<u>Part No.</u>	<u>Qty.</u>	<u>Description</u>
1	100144	1	4L-410 V-Belt (motor to idler)
2	101131	1	1/2" x 2-1/4" Motor Pulley
3	137030	1	8-Pin Socket Connector
4	122701	6 or 8	Socket Terminal ONLY
	122801	1	Pin/Socket Extraction Tool
5	150501	4	5/16" x 3/4" Hex Head Machine Bolt
6	153002	4	5/16" Lock Washer
7	153001	8	5/16" Flat Washer
8	100065	1	1/2 HP 120/230v 60 Hz Motor with Plug
9	150111	1	1/4" x 1/2 Phillips Round Head Machine Screw
10	311551	1	Idler Support Bracket
11	153007	1	1/4" Lock Washer
12	152002	1	1/4" Hex Nut
13	153525	1	1/4" x 1" Self Clinching Stud
14	153003	1	3/8" x 1-1/2" Washer
15	152014	1	1/4" Free Spin Nut
16	121490	1	1/2" Nylon Clamp
17	152002	1	1/4" Hex Nut
18	150501	4	5/16" x 3/4" Hex Head Machine Bolt
19	153002	4	5/16" Lock Washer
20	153001	4	5/16" Flat Washer
21	882191	1	1/2 HP Motor Mount ONLY
	882190	1	1/2 HP 120/230v Motor Mount Assembly (includes illus. nos. 2, 5 through 8 and 18 through 28)
22	117600	4	Noise Suppressor Tape (sold by the foot)
23	154000	4	5/16" Tinnerman Nut
24	153050	3	1/2" Flat Washer
25	100604	1	12-1/2" Impellor with 1/2" Bore
26	100702	1	1/8" x 1/8" x 1-1/2" Key
27	153050	2	1/2" Flat Washer
28	152006	2	1/2" Left Hand Jam Nut

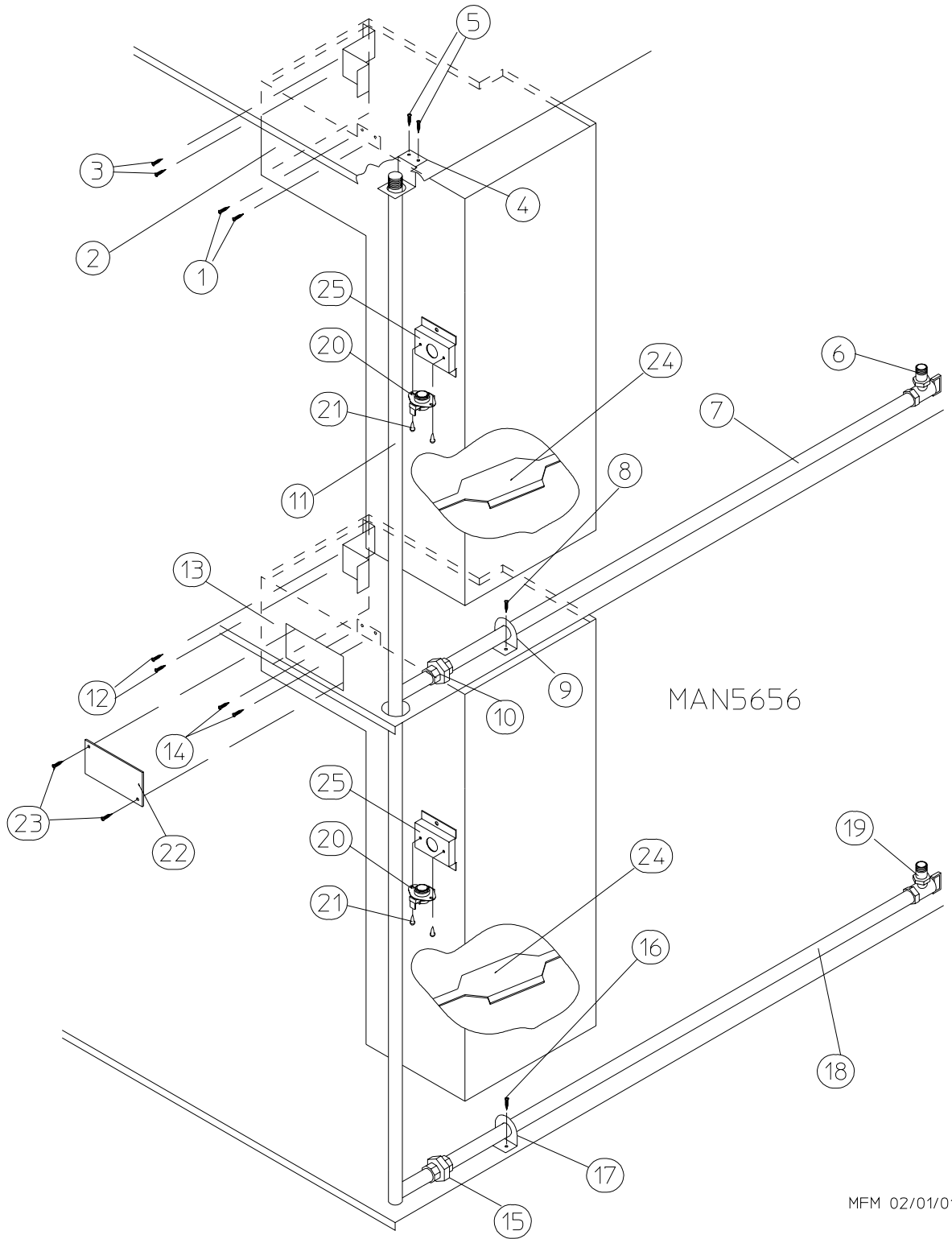


<u>Illus. No.</u>	<u>Part No.</u>	<u>Qty.</u>	<u>Description</u>
1	141130	1	Direct Spark Ignition (DSI) Up-Shot Burner Tube ONLY
2	128917	1	Spark Electrode
3	128918	1	Flame Sensor
4	318009	1	Burner Tube Bracket
5**	140829	1	#18 Burner Orifice (natural gas) ONLY
	140814	1	#38 Burner Orifice (liquid propane [L.P.] gas) ONLY
	882175	1	Direct Spark Ignition (DSI) Liquid Propane (L.P.) Conversion Kit
6	141225	1	Single-Port Manifold ONLY
7	318700	1	Pipe Bracket

<u>Illus. No.</u>	<u>Part No.</u>	<u>Qty.</u>	<u>Description</u>
8	801022*	1	Natural Gas Valve Train Assembly Complete Less Orifice (includes illus. nos. 1 through 4, 6 through 25, and 29 through 35)
	319522	1	Gas Valve Train Slide ONLY
9	318711	1	Notched Pipe Bracket
10	128935	1	Direct Spark Ignition (DSI) Module ONLY Johnson Controls
11	151000	4	#6-32 Pal Nut
12	121300	2	Open/Closed Bushing
13	150301	2	#8-10 x 7/16" Phillips Pan Head TEK Screw
14	121492	3	3/16" Nylon Clamp
15	121491	3	5/8" Nylon Clamp
16	128927	1	1/2" 24 VAC Direct Spark Ignition (DSI) Redundant (natural gas) Gas Valve
	140411	1	1/2" 24 VAC Liquid Propane (L.P.) Conversion Kit
17	142506	1	1/2" x 1/2" Street Elbow
18	318712	1	Gas Valve Pipe Bracket
19	143100	1	1/4" Aluminum Tubing (sold by the foot)
20	143203	1	90° Line Adapter
21	143259	1	Bulkhead Fitting
22	151001	9	#8-32 Pal Nut
23	152001	3	#8-32 Hex Nut
24	153528	9	#8-32 x 1/2" Self-Clinching Stud
25	815974	1	Direct Spark Ignition (DSI) Module Mounting Bracket ONLY Johnson Controls
26	881367	1	1/2" Union Shutoff with Tail Piece
27	142823	1	Gas Pipe 1/2" x 40"
28	318702	1	Pipe Bracket
29	150315	2	#6 x 3/8" Phillips
30	122605	1	4-Pin Socket Connector ONLY
31	122701	2	Socket Terminal ONLY
32	122604	1	4-Pin Connector ONLY
33	122700	2	Pin Terminal ONLY
	112801	1	Pin/Socket Extraction Tool
34	842716	1	Gas Valve Train Wiring (top gas train)
	842724	1	Gas Valve Train Wiring (bottom gas train)
35	121060	4	5/8" Clear Flexite

\* Orifices are not included and **must be** ordered separately.

\*\* Consult factory for elevations over 2,000 feet.

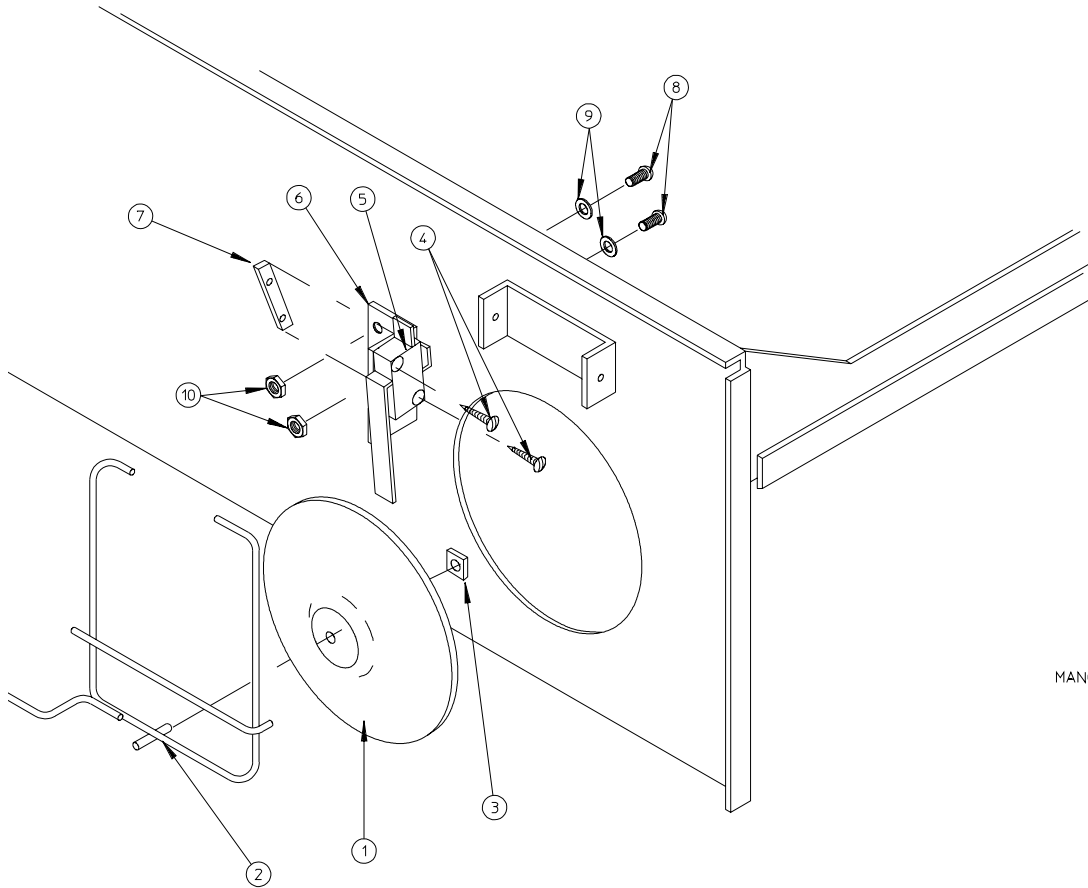




---

<u>Illus. No.</u>	<u>Part No.</u>	<u>Qty.</u>	<u>Description</u>
1	150301	2	#8-18 x 7/16" Phillips Pan Head TEK Screw
2	883007	1	Burner Box with Spreader Assembly (includes illus. no. 25)
3	150301	2	#8-18 x 7/16" Phillips Pan Head TEK Screw
4	318702	1	Top Pipe Support Bracket
5	150300	2	#10 x 1/2" Hex Head TEK Screw
6	881367	1	1/2" Union Shutoff with Tail Piece
7	142823	2	1/2" x 40" Long Pipe
8	150300	2	#10 x 1/2" Hex Head TEK Screw
9	318700	1	Pipe Bracket
10	142600	1	1/2" Union
11	141237	1	Manifold Inlet
12	150301	2	#8-18 x 7/16" Phillips Pan Head TEK Screw
13	882231	1	Burner Box with Spreader
14	150301	2	#8-18 x 7/16" Phillips Pan Head TEK Screw
15	142600	1	1/2" Union
16	150300	2	#10 x 1/2" Hex Head TEK Screw
17	318700	1	Pipe Bracket
18	142823	1	1/2 x 40" Long Pipe
19	881367	1	1/2" Union Shutoff with Tail Piece
20	130403	2	330° Hi-Limit
21	150300	4	#10 x 1/2" Hex Head TEK Screw
22	318065	1	Burner Box Clean Out Cover
23	150300	4	#10-32 x 1/2" Hex Head TEK Screw
24	318099	1	Spreader Assembly ONLY
25	311578	4	Burner Hi-Limit Case

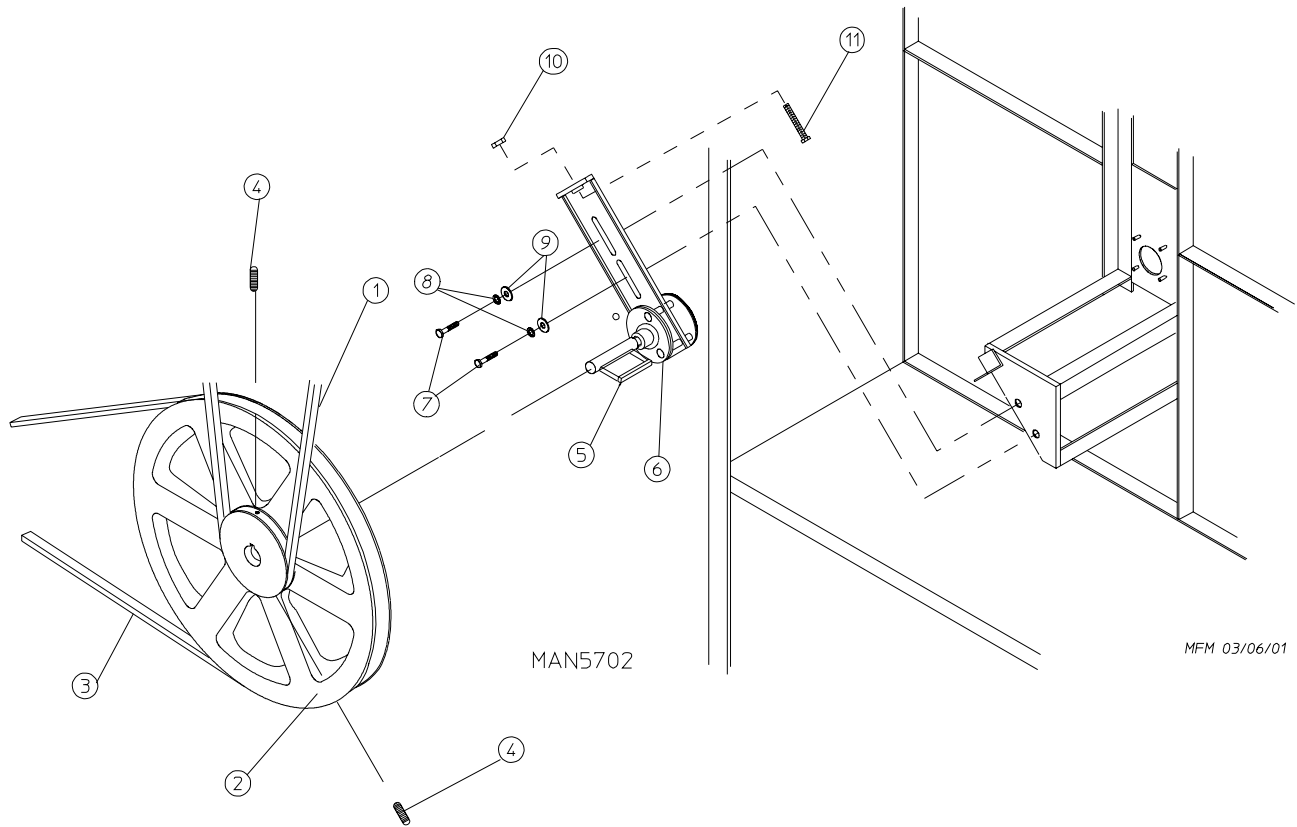
UPPER SAIL SWITCH ASSEMBLY



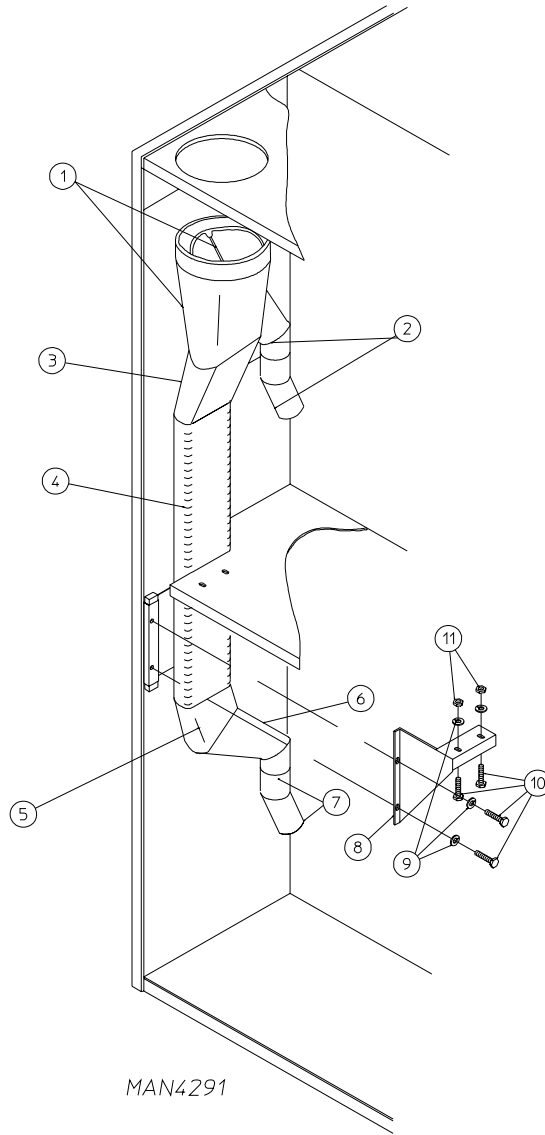
MAN0570

NOTE: DUPLICATE ALL COMPONENTS FOR LOWER SAIL SWITCH ASSEMBLY

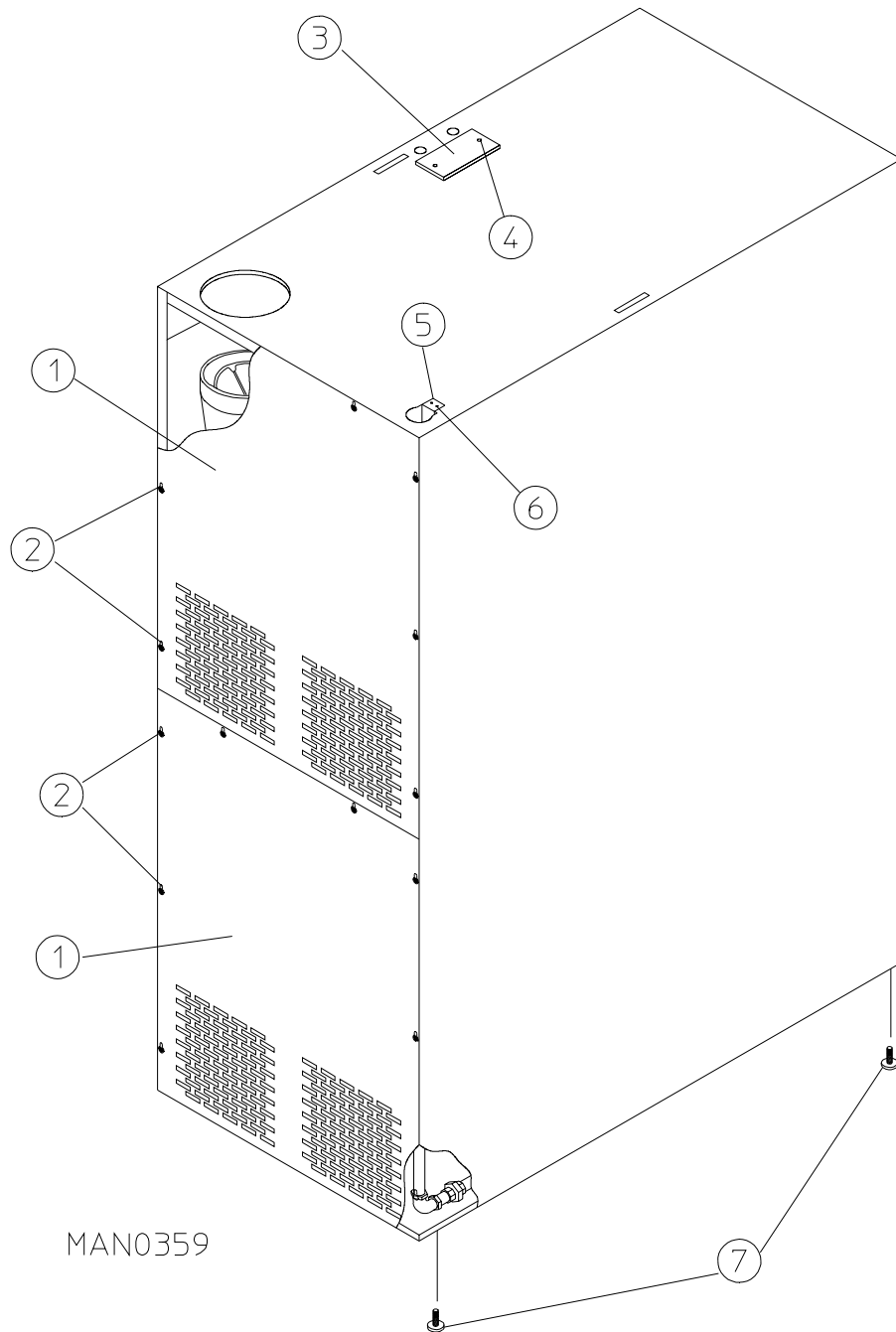
<u>Illus. No.</u>	<u>Part No.</u>	<u>Qty.</u>	<u>Description</u>
1	319206	1	Sail Switch Damper (embossed)
	802805	1	Sail Switch Rod and Damper Assembly (includes illus. nos. 1 through 3)
2	105550	1	Sail Switch Rod
3	154002	1	1/8" Push On Fastener
4	150303	2	#4 x 3/4" Pan Head "A" Machine Screw
5	122200	1	Sail Switch ONLY
	802807	1	Sail Switch Bracket Assembly (includes illus. nos. 4 through 7)
6	319208	1	Sail Switch Bracket
7	154004	1	Twin Speed Nut
8	150001	2	#6-32 x 1/2" Phillips Round Head Machine Screw
9	153010	2	#6 Star Washer
10	152000	2	#6-32 Hex Nut



<u>Illus. No.</u>	<u>Part No.</u>	<u>Qty.</u>	<u>Description</u>
1	100144	1	5L-660 V-belt (to basket [tumbler] pulley)
2	101129	1	9" x 2-1/2" Pulley with 3/16" Key
3	100113	1	4L-400 V-Belt (to motor pulley) For 60 Hz Models ONLY
	100115	1	4L-410 V-Belt (to motor pulley) For 50 Hz Models ONLY
4	154301	2	5/16-18 x 5/16" Allen Setscrew
5	100705	1	3/16" x 3/16" x 1-3/8" Key
6	801155	1	Idler Bearing Assembly Complete
7	150617	2	3/8-16 x 1" Hex Head Machine Bolt
8	153005	2	3/8" Lock Washer
9	153004	2	3/8" Flat Washer
10	152004	1	5/16-18 Hex Nut
11	150509	1	5/16-18 x 3" Hex Head Machine Bolt



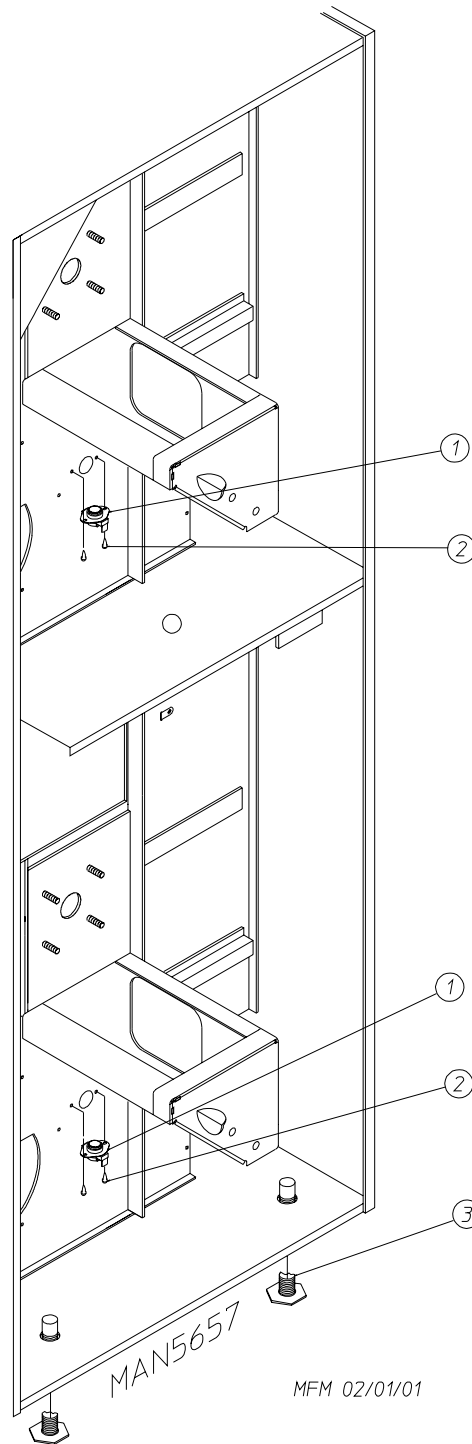
<u>Illus. No.</u>	<u>Part No.</u>	<u>Qty.</u>	<u>Description</u>
1	880505	1	Wye Branch Damper Assembly Complete
2	143536	2	6" Round x 45° Elbow
3	145327	1	6" Round x 7" Oval Straight Boot
4	145539	1	15-1/2" Long x 7" Oval Duct
5	143537	1	7" Oval x 45° Elbow
6	143538	1	6" Round x 7" Oval Straight Boot
7	143536	2	6" Round x 45° Elbow
	117505	6	Aluminum Duct Tape (sold by the foot)
8	851168	1	Exhaust Brace
9	153007	4	Split Lock Washer
10	150512	4	1/4-20 x 1/2" Bolts
11	152002	2	1/4 x 20" Hex Nut



MAN0359

<u>Illus. No.</u>	<u>Part No.</u>	<u>Qty.</u>	<u>Description</u>
1	311541	2	Back Guard Assembly
2	150301	16	#8-18 x 7/16" Phillips Pan Head TEK Screw
3	315014	1	Plate Cover (top electric box)
4	150301	2	#8-18 x 7/16" Phillips Pan Head TEK Screw
5	318702	1	Top Pipe Support Bracket
6	150300	2	#10-16 x 1/2" Hex Head TEK Screw
7	103500	4	Leveling Leg

For Models Mfd. as of October 29, 2001



<u>Illus. No.</u>	<u>Part No.</u>	<u>Qty.</u>	<u>Description</u>
1	130107	2	160° Cabinet Hi-Limit
2	150301	4	#8-18 x 7/16" Phillips Pan Head TEK Screw
3	103500	4	Leveling Leg

