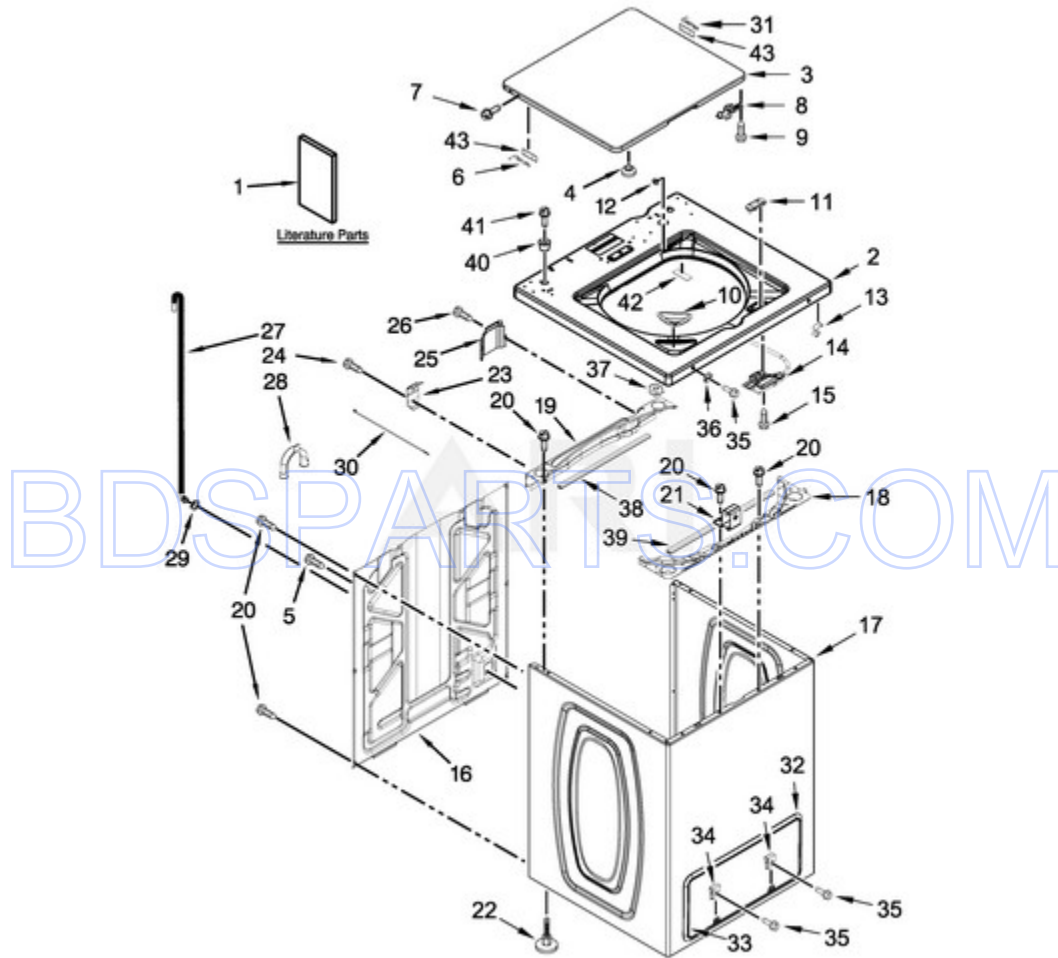


MVW18PDBWW0 - 02 - TOP AND CABINET PARTS

TOP AND CABINET PARTS



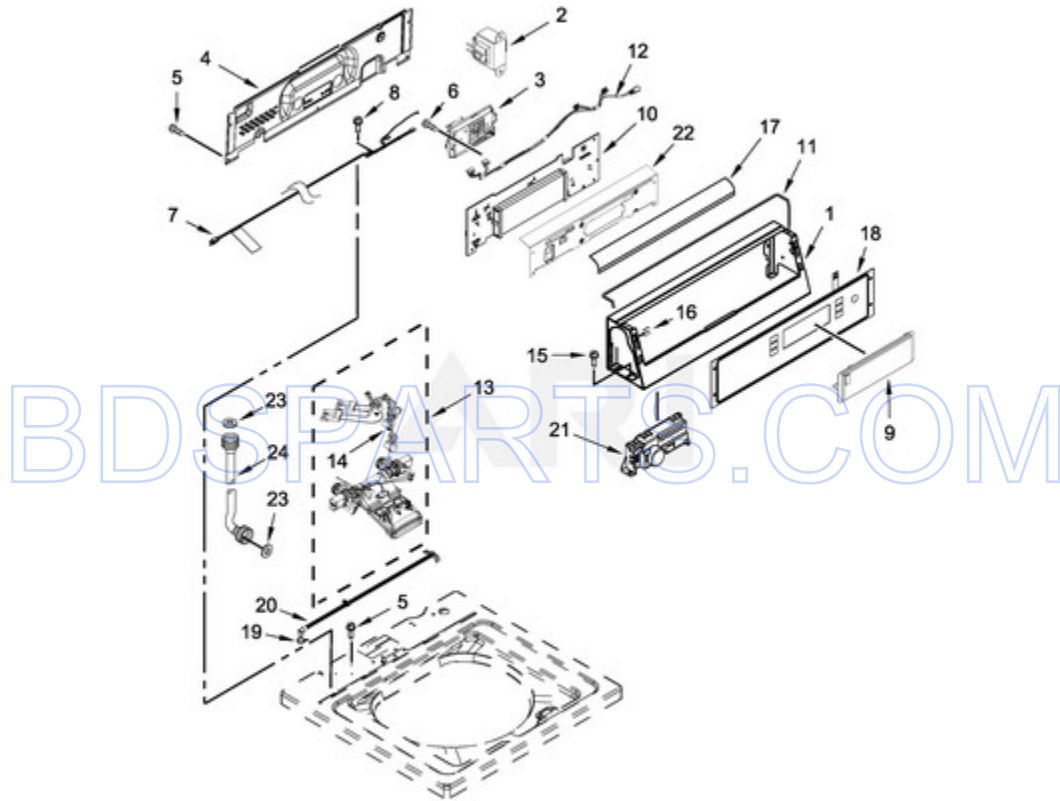
| Ref # | Part # | Description | Qty | Context | Note | MSRP |
|-------|-----------|----------------------------------|-----|---------|------|------|
| 29 | 356138 | CLAMP, HOSE | | | | |
| 37 | 90406 | NUT, CAGE | | | | |
| 40 | 356674 | CONE, WEDGE | | | | |
| 43 | 21097 | PAD, LID HINGE | | | | |
| 6 | 91770 | HINGE, LID (LEFT) | | | | |
| 12 | 21258 | BEARING, LID HINGE | | | | |
| 13 | 90016 | CLIP, HARNESS | | | | |
| 41 | 3353994 | BOLT | | | | |
| 31 | 54583 | HINGE, LID (RIGHT) | | | | |
| 5 | 9740848 | SCREW | | | | |
| 26 | 3400076 | SCREW | | | | |
| 24 | W10142728 | SCREW | | | | |
| 1 | W10474266 | INSTALLATION INSTRUCTIONS | | | | |
| 2 | W10461168 | TOP (WHITE) | | | | |
| 3 | W10461179 | ASSEMBLY, LID AND BUMPER (WHITE) | | | | |
| 4 | W10525268 | BUMPER, LID | | | | |
| 7 | W10119872 | SCREW | | | | |
| 8 | W10240513 | STRIKE, LID LOCK (WHITE) | | | | |
| 9 | W10273971 | SCREW | | | | |
| 10 | W10515627 | DISPENSER, BLEACH | | | | |
| 11 | W10392041 | BEZEL, LID LOCK (WHITE) | | | | |
| 14 | W10482836 | LATCH, LID LOCK ASSEMBLY | | | | |
| 15 | W10588613 | SCREW | | | | |
| 16 | W10250884 | PANEL, REAR | | | | |
| 17 | W10464748 | CABINET (WHITE) | | | | |
| 18 | W10215098 | BRACE, CABINET TOP - FRONT | | | | |
| 19 | W10512626 | BRACE, CABINET TOP - REAR | | | | |
| 20 | 1157158 | SCREW | | | | |
| 21 | W10461182 | LOCK, TOP | | | | |
| 22 | W10397767 | FOOT ASSEMBLY, LEVELING | | | | |
| 23 | W10461176 | HINGE, TOP | | | | |
| 25 | W10461180 | COVER, HARNESS | | | | |
| 27 | W10221546 | HOSE, OUTER DRAIN ASSEMBLY | | | | |
| 28 | W10280024 | U-BEND, DRAIN HOSE | | | | |
| 30 | W10339879 | TIE, CABLE | | | | |
| 32 | W10464746 | FRAME, FRONT ACCESS | | | | |
| 33 | W10464747 | DOOR, FRONT ACCESS | | | | |
| 34 | 3400915 | NUT, "U" | | | | |
| 35 | W10486616 | SCREW | | | | |

| Ref # | Part # | Description | Qty | Context | Note | MSRP |
|--------------|---------------|--------------------------------|------------|----------------|-------------|-------------|
| 36 | W10461181 | BUSHING-TOP, SCREW | | | | |
| 38 | W10521454 | BRACE-GUARD, CABINET REAR TOP | | | | |
| 39 | W10521453 | BRACE-GUARD, CABINET FRONT TOP | | | | |
| 42 | W10684257 | PAD | | | | |
| 1A | W10531646 | WIRING DIAGRAM | | | | |
| 1B | W10714946 | TECH SHEET | | | | |

BDSPARTS.COM

MVW18PDBWW0 - 03 - CONTROLS AND WATER INLET PARTS

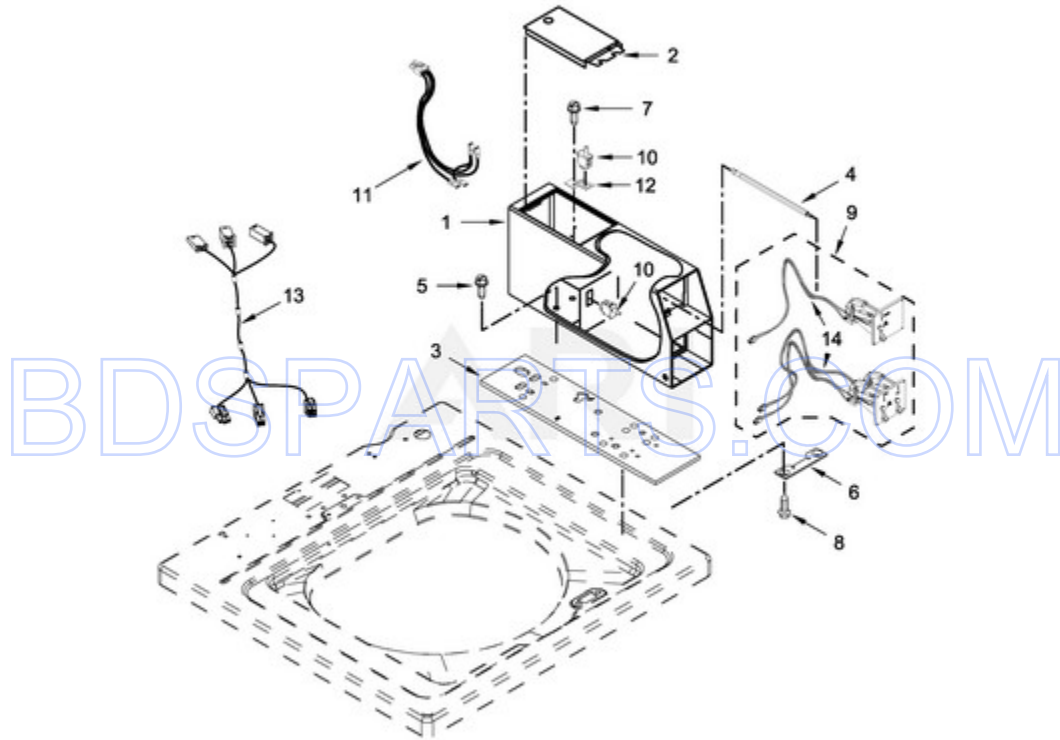
CONTROLS AND WATER INLET PARTS



| Ref # | Part # | Description | Qty | Context | Note | MSRP |
|-------|-----------|-----------------------------|-----|---------|------|------|
| 9 | W10267645 | COVER, DISPLAY | | | | |
| 6 | 90767 | SCREW | | | | |
| 8 | 3400076 | SCREW | | | | |
| 15 | 3390631 | SCREW | | | | |
| 23 | W10242307 | WASHER, INLET HOSE | | | | |
| 2 | W10131839 | TRANSFORMER | | | | |
| 1 | W10461094 | CONSOLE | | | | |
| 16 | W10131123 | NUT, "U" | | | | |
| 11 | W10157932 | SEAL, FOAM | | | | |
| 17 | W10133515 | DEFLECTOR SWITCH ASSEMBLY | | | | |
| 24 | W10458855 | HOSE, WATER INLET (HOT) | | | | |
| 24A | W10458856 | HOSE, WATER INLET (COLD) | | | | |
| 5 | 1157158 | SCREW | | | | |
| 4 | W10461159 | PANEL, CONSOLE REAR COVER | | | | |
| 13 | W10486031 | INLET ASSEMBLY, WATER | | | | |
| 14 | W10472990 | HARNESS, VALVE | | | | |
| 21 | W10482833 | MODULE, ELECTRONIC RELEASE | | | | |
| 20 | W10461189 | ASSEMBLY, HOSE | | | | |
| 19 | W10117298 | CLAMP, HOSE | | | | |
| 3 | W10721254 | CONTROL UNIT ASSEMBLY | | | | |
| 7 | W10472992 | CORD, POWER | | | | |
| 10 | W10647075 | USER INTERFACE | | | | |
| 12 | W10480949 | HARNESS, UPPER | | | | |
| 18 | W10461104 | FASCIA | | | | |
| 22 | W10461068 | BACK BRACKET, CONTROL PANEL | | | | |

MVW18PDBWW0 - 04 - METER CASE PARTS

METER CASE PARTS

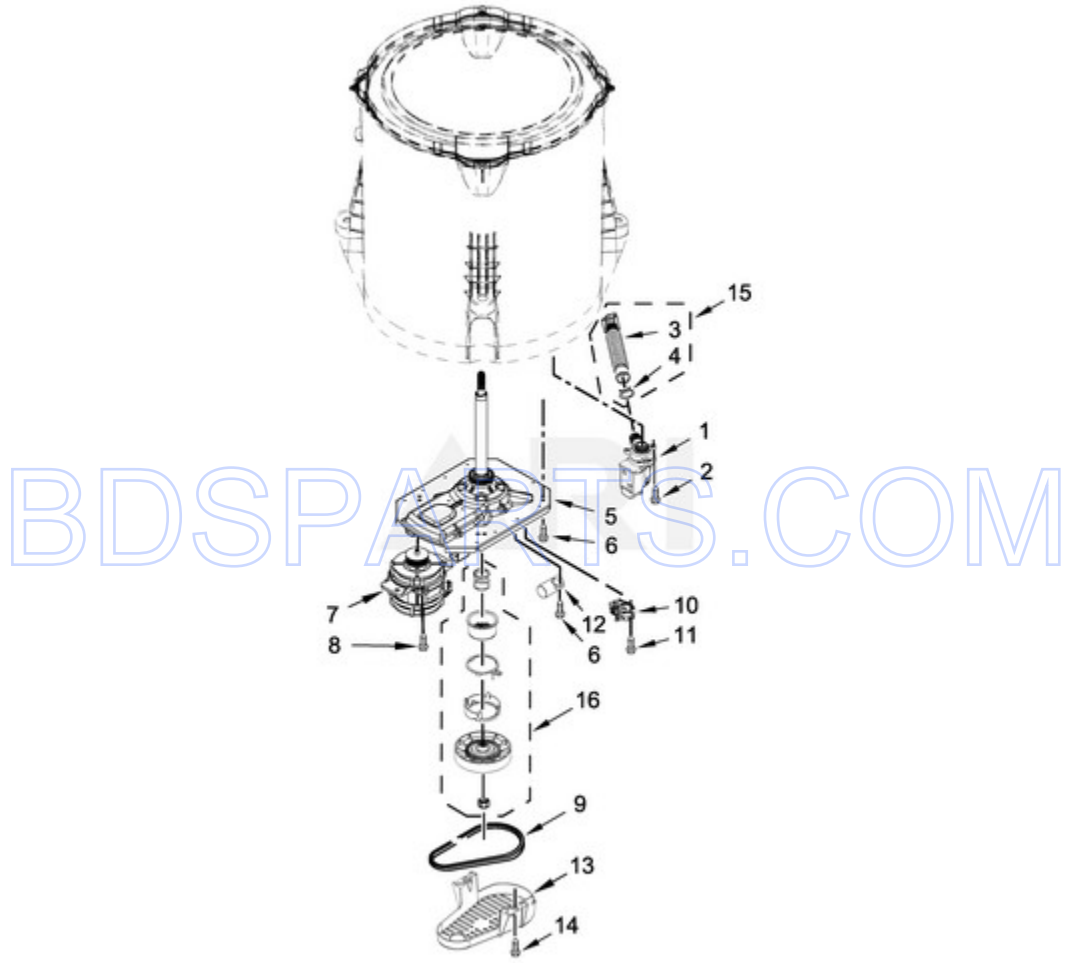


| Ref # | Part # | Description | Qty | Context | Note | MSRP |
|-------|-----------|---|-----|---------|------|------|
| 6 | 3347825 | PLATE, MOUNTING | | | | |
| 8 | 98445 | SCREW | | | | |
| 5 | 3349065 | BOLT | | | | |
| 2 | 3351136 | ASSEMBLY, SERVICE DOOR | | | | |
| 3 | 3954812 | CUSHION, METER CASE | | | | |
| 10 | W10131838 | SWITCH, VAULT SERVICE DOOR | | | | |
| 12 | W10133508 | BRACKET, SERVICE SWITCH | | | | |
| 7 | W10139210 | SCREW | | | | |
| 11 | W10211244 | WIRE, HARNESS SENSOR SWITCH | | | | |
| 14A | W10247388 | COIN OPTIC SENSOR ASSEMBLY (BLACK) | | | | |
| 14 | W10247389 | COIN OPTIC SENSOR ASSEMBLY (WHITE) | | | | |
| 9 | W10133242 | ASSEMBLY, SINGLE COIN DROP | | | | |
| 4 | W10137319 | BOLT, HEX BAR | | | | |
| 1 | W10529176 | METER CASE | | | | |
| 9A | W10198395 | ASSEMBLY, DUAL COIN DROP MDE20PDAZW2 | | | | |
| 13 | W10491633 | HARNESS, COIN EXTENDER | | | | |

| Ref # | Part # | Description | Qty | Context Note | MSRP |
|-------|-----------|---|-----|--------------|--------|
| 6 | 21366 | NUT, SPANNER | | | 4.33 |
| 2 | 3949550 | WASHER | | | 6.38 |
| 1 | W10003790 | SCREW AND WASHER | | | 4.20 |
| 3 | W10424292 | CAP, AGITATOR | | | 1.89 |
| 4 | W10424311 | IMPELLER | | | 52.84 |
| 5 | W10461196 | RING, TUB | | | 66.63 |
| 7 | W10389330 | BASKET ASSEMBLY | | | 118.49 |
| 8 | W10198148 | BLOCK, BASKET DRIVE | | | 7.89 |
| 9 | W10339098 | SHIELD, SPLASH | | | 14.03 |
| 10 | W10238320 | TUB (INCLUDES TUB SEAL) | | | 169.10 |
| 11 | W10424291 | SEAL, TUB | | | 33.14 |
| 12 | W10215093 | FILTER, DRAIN PUMP | | | 23.71 |
| 13 | 8533928 | SCREW (STAINLESS) | | | 4.33 |
| | | DAMPER ASSEMBLY, TUB SUSPENSION | | | |
| 14 | W10748950 | (SET OF 4-INCLUDES SUSPENSION BALLS AND SUSPENSION BUSHINGS) | | | 89.14 |
| | | BALL, SUSPENSION (SET OF 4 - INCLUDES SUSPENSION BUSHINGS) | | | |
| 15 | W10583768 | BUSHING - UPPER SUSPENSION (SET OF 4 - INCLUDES SUSPENSION BALLS) | | | |
| 16 | W10256551 | HARNESS, LOWER (INCLUDES PRESSURE HOSE & CABLE TIE) | | | 60.44 |
| 17 | W10472988 | HOSE, PRESSURE SWITCH | | | 33.33 |
| 18 | W10531633 | CLAMP, CABLE | | | 5.25 |
| 19 | W10005430 | SCREW | | | 4.33 |
| 20 | 8533943 | RETAINER, PUSH-IN | | | 30.05 |
| 21 | W10429200 | COLLAR, ALIGNMENT | | | 10.22 |
| 22 | W10424298 | RING, LABRYINTH (ITEM NOT INCLUDED WITH BASKET ASSEMBLY) | | | 23.28 |
| 23 | W10461124 | ADAPTER, BALANCE RING | | | 29.51 |
| 24 | W10424289 | RUBBER WASHER, IMPELLER | | | 3.32 |
| 25 | W10755559 | | | | |

MVW18PDBWW0 - 06 - GEARCASE, MOTOR AND PUMP PARTS

GEARCASE, MOTOR AND PUMP PARTS



07/17/2015

10

Part No. W10714110 Rev. C

Page design © 2004-2017 by ARI Network Services, Inc.

| Ref # | Part # | Description | Qty | Context | Note | MSRP |
|-------|-----------|--|-----|---------|------|------|
| 8 | W10094780 | SCREW | | | | |
| 14 | 357640 | SCREW | | | | |
| 4 | 8317496 | CLAMP, HOSE | | | | |
| 1 | W10276397 | PUMP ASSEMBLY, DRAIN | | | | |
| 2 | W10004910 | SCREW | | | | |
| 3 | W10763078 | HOSE, INNER DRAIN ASSEMBLY | | | | |
| 5 | W10521293 | ASSEMBLY, GEARCASE | | | | |
| 6 | W10249633 | SCREW | | | | |
| 7 | W10490819 | MOTOR, DRIVE | | | | |
| 9 | W10006384 | BELT, DRIVE | | | | |
| 10 | W10389471 | ACTUATOR, SHIFT | | | | |
| 11 | 9741052 | SCREW | | | | |
| 12 | W10625046 | CAPACITOR, MOTOR RUN | | | | |
| 13 | W10427633 | SHIELD, PULLEY COVER | | | | |
| 15 | W10444123 | HOSE, INNER DRAIN ASSEMBLY COMPLETE | | | | |
| 16 | W10721967 | SPLUTCH KIT (60HZ) | | | | |