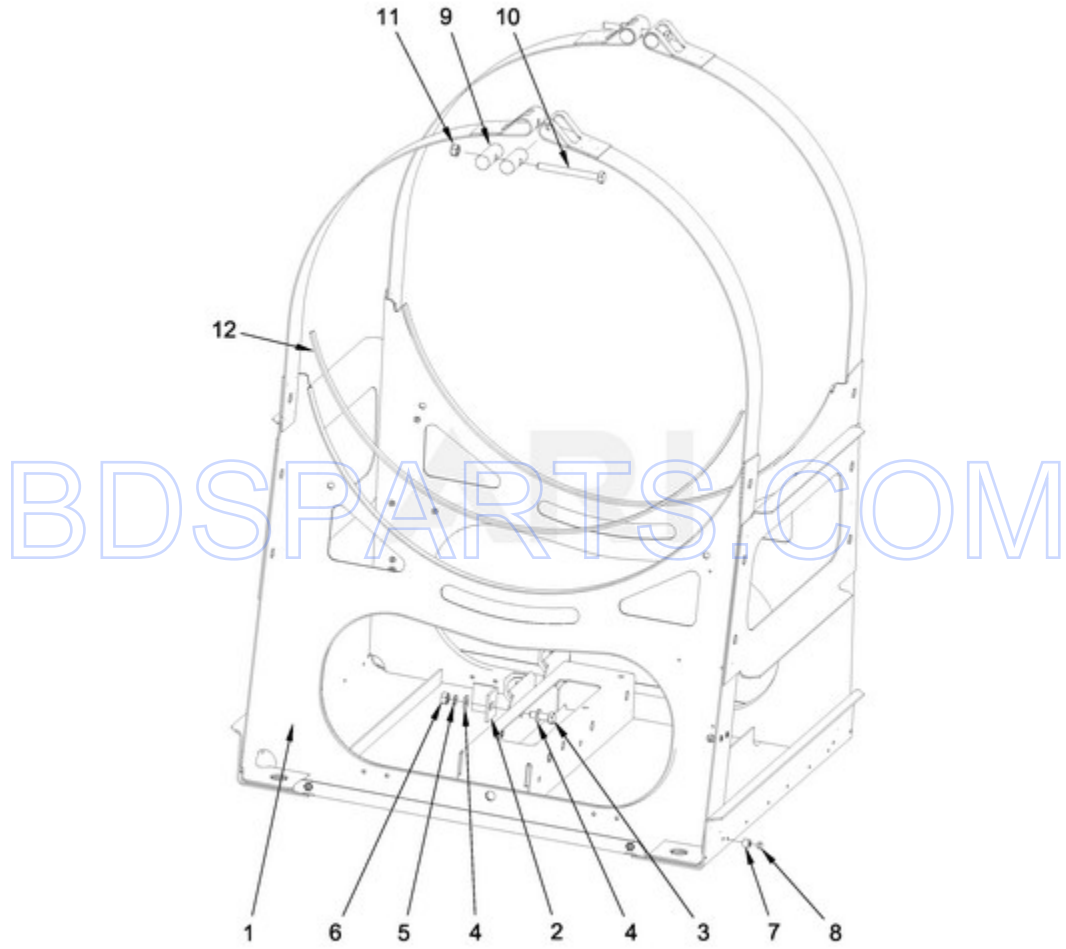


MXR20PDATS - 02 - FRAME PARTS

FRAME PARTS



09/22/2014

2

Part No. W10725810 Rev. B

Page design © 2004-2017 by ARI Network Services, Inc.

BDSPARTS.COM

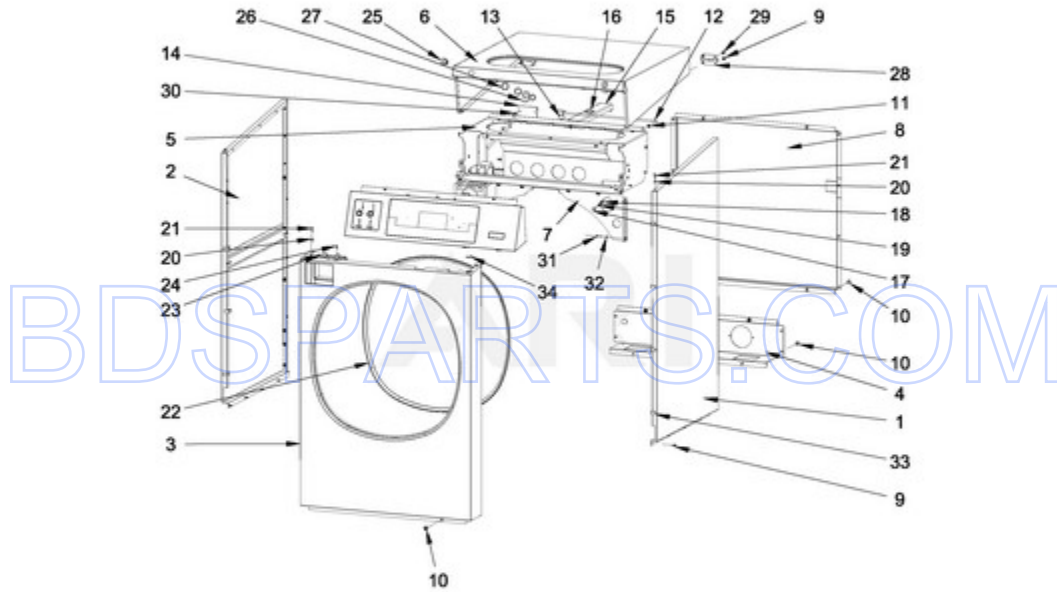
| Ref # | Part # | Description | Qty | Context | Note | MSRP |
|-------|-----------|----------------------------|-----|---------|------|------|
| 5 | 23001265 | WASHER M8 | | | | |
| 6 | 23001266 | NUT M8 | | | | |
| 11 | 23001607 | NUT M8 | | | | |
| 4 | 23003769 | WASHER M8 | | | | |
| 2 | 23004313 | MOTOR STOP | | | | |
| 3 | 23001305 | BOLT M8X25 | | | | |
| 1 | W10725144 | FRAME | | | | |
| 7 | W10711787 | PIN INSERTION | | | | |
| 8 | W10711789 | RIVET W/CRANK (4X16) | | | | |
| 9 | W10711702 | COVER STRIP PIN | | | | |
| 10 | 23003064 | BOLT M8X80 | | | | |
| 12 | W10711718 | SELF-ADHESIVE FOAM SEALING | | | | |

BDSPARTS.COM

BDSPARTS.COM

MXR20PDATS - 03 - CABINET PARTS

CABINET PARTS



| Ref # | Part # | Description | Qty | Context | Note | MSRP |
|-------|-----------|---|-----|---------|------|------|
| NI | N/P | FOLLOWING PARTS NOT ILLUSTRATED | | | | |
| 27 | 23001007 | WASHER | | | | |
| 26 | 23001009 | SHORT HOOK | | | | |
| 30 | 23001099 | PC BOARD SOCKET | | | | |
| 17 | 23002461 | BOLT M6X16 | | | | |
| 31 | 23002398 | BOLT M4X16 | | | | |
| 19 | 23002440 | WASHER M6 | | | | |
| 18 | 23003774 | WASHER M6 X 4 | | | | |
| NI | 23003666 | PARTS FOR MAYTAG CONNECT 360 (NUT M4) | | | | |
| 24 | 23003114 | BOLT M4X8 | | | | |
| 28 | 23004103 | HINGE | | | | |
| 32 | 23002950 | WASHER, LOCK M4 | | | | |
| 13 | 23002454 | SELF STICKING CABLE CLIP | | | | |
| 10 | W10286289 | BOLT M6X10 | | | | |
| 11 | 23002167 | GROMMET, RUBBER | | | | |
| 20 | W10711787 | PIN INSERTION | | | | |
| 21 | W10711789 | RIVET W/CRANK (4X16) | | | | |
| 33 | W10711718 | SELF-ADHESIVE FOAM SEALING | | | | |
| 1 | W10725158 | SIDE PANEL - RIGHT (PAINTED) | | | | |
| 1A | W10725160 | SIDE PANEL - RIGHT (STAINLESS) | | | | |
| 2 | W10725197 | SIDE PANEL - LEFT (PAINTED) | | | | |
| 2A | W10725201 | SIDE PANEL - LEFT (STAINLESS) | | | | |
| 3 | W10725226 | FRONT PANEL - COMPLETE COIN METER (STAINLESS) | | | | |
| 4 | W10725234 | REAR COVER - LOWER, COMPLETE | | | | |
| 5 | W10725238 | PANEL HOLDER COMPLETE | | | | |
| 6 | W10725253 | TOP COVER - COMPLETE (PD) | | | | |
| 7 | W10725420 | CABINET REINFORCEMENT COMPLETE | | | | |
| 8 | W10725423 | REAR COVER | | | | |
| 9 | W10711800 | SCREW 4X11 | | | | |
| 12 | W10725428 | UPPER LID PROP | | | | |
| 14 | W10712170 | MODULE FOR AUTOMATIC DOOR OPENING MC7 | | | | |
| 15 | W10725429 | TOP COVER REINFORCEMENT | | | | |
| 16 | W10712181 | VELCRO FASTENER | | | | |
| 22 | W10725437 | EDGE PROTECTION | | | | |
| 23 | W10712166 | ORNAMENTAL PLATE COIN VAULT | | | | |

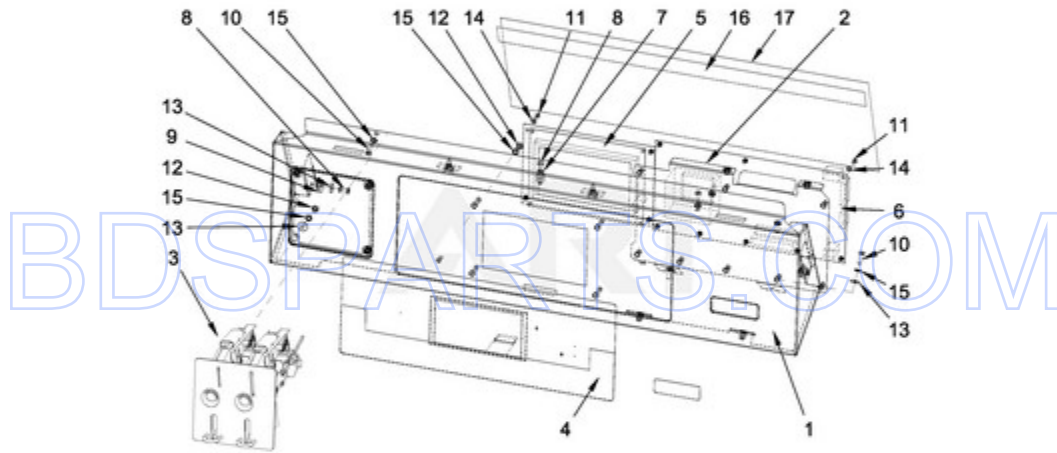
| Ref # | Part # | Description | Qty | Context | Note | MSRP |
|--------------|---------------|--|------------|----------------|-------------|-------------|
| 25 | W10712231 | LOCK | | | | |
| 29 | W10712165 | RIVET W/CRANK (8X8) | | | | |
| 34 | W10725440 | END STOP | | | | |
| NI | W10712183 | WIRING AUM - POWER SUPPLY | | | | |
| NI | W10712243 | PARTS FOR MAYTAG CONNECT 360 (BOLT M4X12) | | | | |

BDSPARTS.COM

BDSPARTS.COM

MXR20PDATS - 04 - CONTROL PANEL PARTS

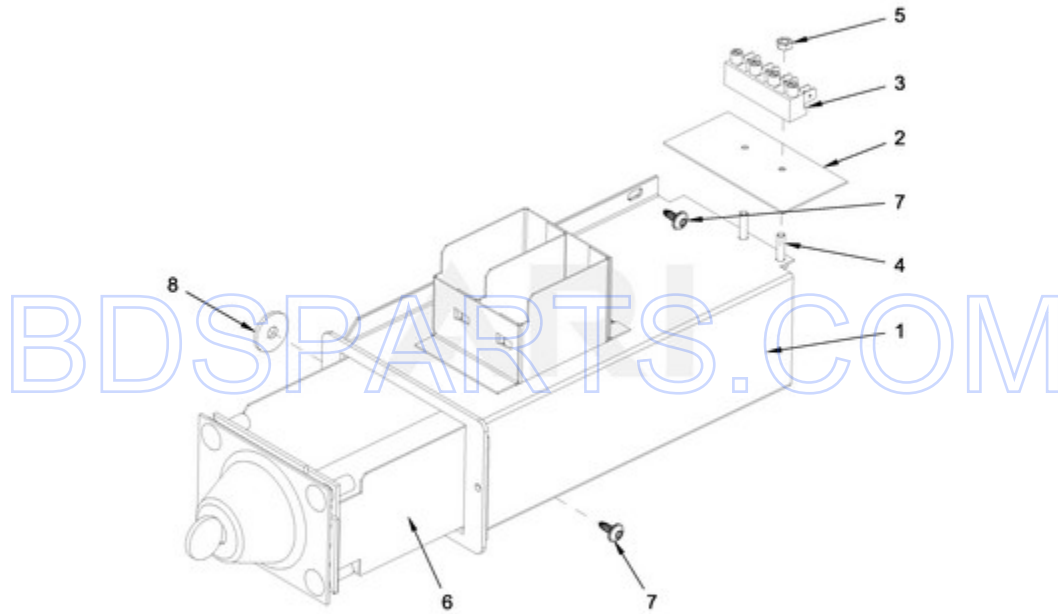
CONTROL PANEL PARTS



| Ref # | Part # | Description | Qty | Context | Note | MSRP |
|-------|-----------|---------------------------------|-----|---------|------|------|
| NI | N/P | FOLLOWING PARTS NOT ILLUSTRATED | | | | |
| 13 | 23001545 | WASHER M4 | | | | |
| 11 | 23002869 | BOLT M3X6 | | | | |
| 12 | 23003666 | NUT M4 | | | | |
| 15 | 23002950 | WASHER, LOCK M4 | | | | |
| 14 | 23002865 | WASHER, LOCK M4 | | | | |
| 16 | 23004126 | DOUBLE-SIDED TAPE | | | | |
| 17 | 23002877 | SHIELD, RAIN | | | | |
| 7 | W10711787 | PIN INSERTION | | | | |
| 8 | W10711789 | RIVET W/CRANK (4X16) | | | | |
| 10 | W10712243 | BOLT M4X12 | | | | |
| 1 | W10725448 | CONTROL PANEL | | | | |
| 2 | W10725459 | CONTROL BOARD BRACKET | | | | |
| 3 | W10712245 | COIN DROP (.25 CENT) | | | | |
| 4 | W10725464 | KEYPAD MC7 AC (PD) | | | | |
| 5 | W10712233 | CONTROL BOARD - CPU | | | | |
| 6 | W10712234 | CONTROL BOARD - POWER SUPPLY | | | | |
| 9 | W10725468 | LEADING PIN | | | | |
| NI | W10712236 | CABLE, CPU - POWER SUPPLY | | | | |

MXR20PDATS - 05 - COIN VAULT PARTS

COIN VAULT PARTS



09/22/2014

8

Part No. W10725810 Rev. B

Page design © 2004-2017 by ARI Network Services, Inc.

BDSPARTS.COM

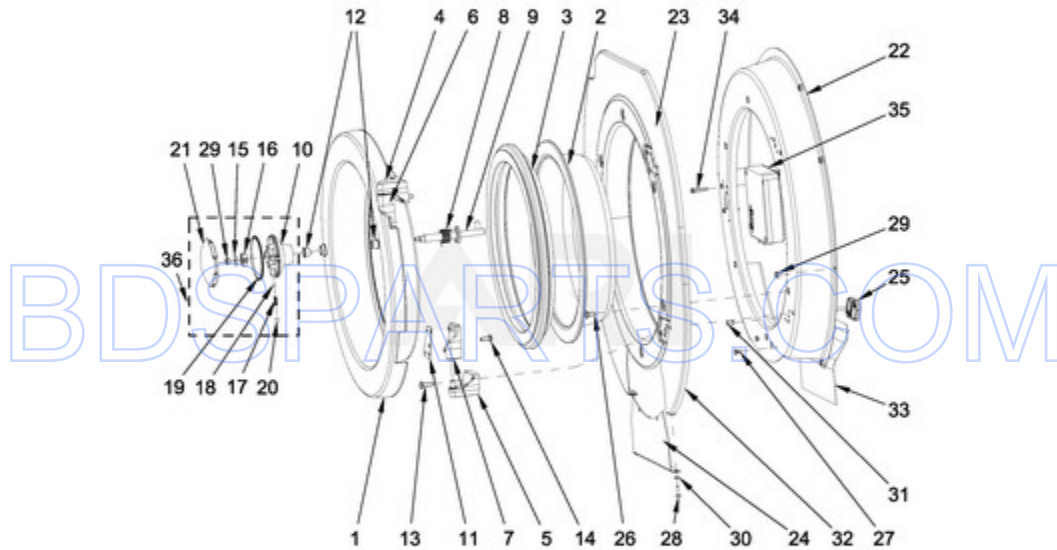
| Ref # | Part # | Description | Qty | Context | Note | MSRP |
|--------------|---------------|---------------------------|------------|----------------|-------------|-------------|
| 3 | 23001113 | TERMINAL BLOCK | | | | |
| 2 | 23001115 | TERMINAL BLOCK INSULATION | | | | |
| 5 | 23003666 | NUT M4 | | | | |
| 6 | 23003656 | SWITCH, COINBOX | | | | |
| 4 | 23004095 | BOLT M4X16 | | | | |
| 7 | W10711800 | SCREW 4X11 | | | | |
| 1 | W10725469 | COIN VAULT | | | | |
| 8 | W10431220 | WASHER | | | | |

BDSPARTS.COM

BDSPARTS.COM

MXR20PDATS - 06 - DOOR PARTS

DOOR PARTS



09/22/2014

10

Part No. W10725810 Rev. B

Page design © 2004-2017 by ARI Network Services, Inc.

BDSPARTS.COM

| Ref # | Part # | Description | Qty | Context | Note | MSRP |
|-------|-----------|---------------------------------|-----|---------|------|------|
| NI | N/P | FOLLOWING PARTS NOT ILLUSTRATED | | | | |
| 29 | 23001310 | NUT M6 | | | | |
| 28 | 23002398 | BOLT M4X16 | | | | |
| 15 | 23003012 | WASHER M6 | | | | |
| 32 | 23004093 | RIVETING BLIND NUT M4 | | | | |
| 30 | 23002438 | WASHER M4.3 | | | | |
| 33 | 23002877 | SHIELD, RAIN | | | | |
| 31 | W10711789 | RIVET W/CRANK (4X16) | | | | |
| 1 | W10714950 | DOOR (GREY) | | | | |
| 2 | W10712299 | DOOR GLASS | | | | |
| 3 | W10712303 | DOOR SEAL | | | | |
| 4 | W10712306 | UPPER HINGE - FIXED | | | | |
| 5 | W10712307 | LOWER HINGE - FIXED | | | | |
| 6 | W10712308 | UPPER HINGE | | | | |
| 7 | W10712309 | LOWER HINGE | | | | |
| 8 | W10712314 | TORSION SPRING OF HANDLE | | | | |
| 9 | W10712315 | LOCK PIN, HANDLE | | | | |
| 10 | W10712316 | INNER, HANDLE | | | | |
| 11 | W10712317 | WASHER, HINGE | | | | |
| 12 | W10712318 | CASING, LOCK PIN | | | | |
| 13 | W10712319 | BOLT M6X25 | | | | |
| 14 | W10712320 | BOLT M6X16 | | | | |
| 16 | W10712323 | LOCATING SEGMENT, HANDLE | | | | |
| 17 | W10712328 | COMPRESSION SPRING, HANDLE | | | | |
| 18 | W10712344 | HANDLE BALL | | | | |
| 19 | W10712345 | DISTINGUISHING RING (BLUE) | | | | |
| 20 | W10712347 | BOLT M6X6 | | | | |
| 21 | W10712351 | COVER, HANDLE | | | | |
| 22 | W10712356 | DOOR AND LOCK HOLDER COMPLETE | | | | |
| 23 | W10712359 | FRONT PANEL | | | | |
| 24 | W10712362 | FRONT COVER OF HEATING ELEMENT | | | | |
| 25 | W10712366 | WASHER, HINGE | | | | |
| 26 | W10712367 | BOLT M6X14 | | | | |
| 27 | W10712368 | PLASTIC PLUG | | | | |
| 34 | W10712370 | BOLT M5X25 | | | | |
| 35 | W10712373 | DOOR LOCK | | | | |
| 36 | W10712375 | HANDLE COMPLETE | | | | |

BDSPARTS.COM

BDSPARTS.COM

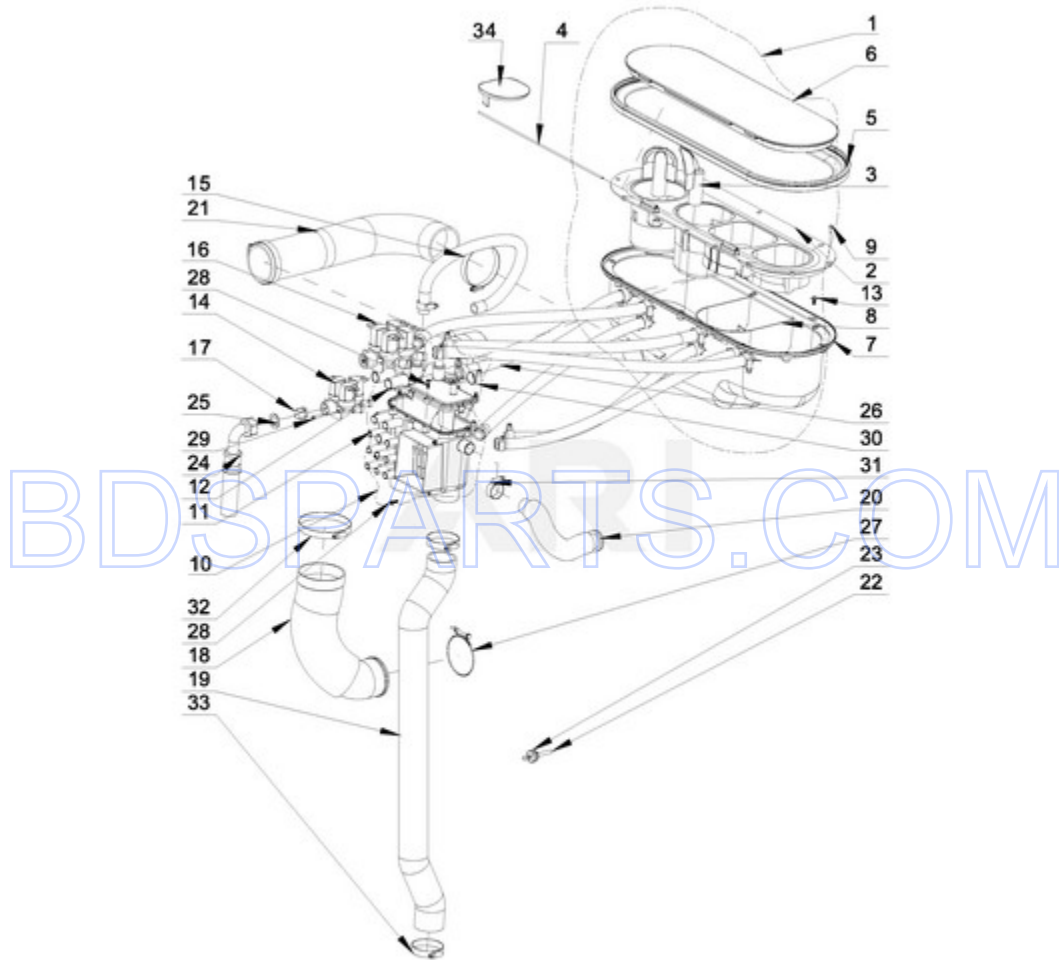
| Ref # | Part # | Description | Qty | Context | Note | MSRP |
|--------------|---------------|--------------------|------------|----------------|-------------|-------------|
| NI | W10712376 | WIRING, DOOR LOCK | | | | |

BDSPARTS.COM

BDSPARTS.COM

MXR20PDATS - 07 - WATER INLET PARTS

WATER INLET PARTS



09/22/2014

12

Part No. W10725810 Rev. B

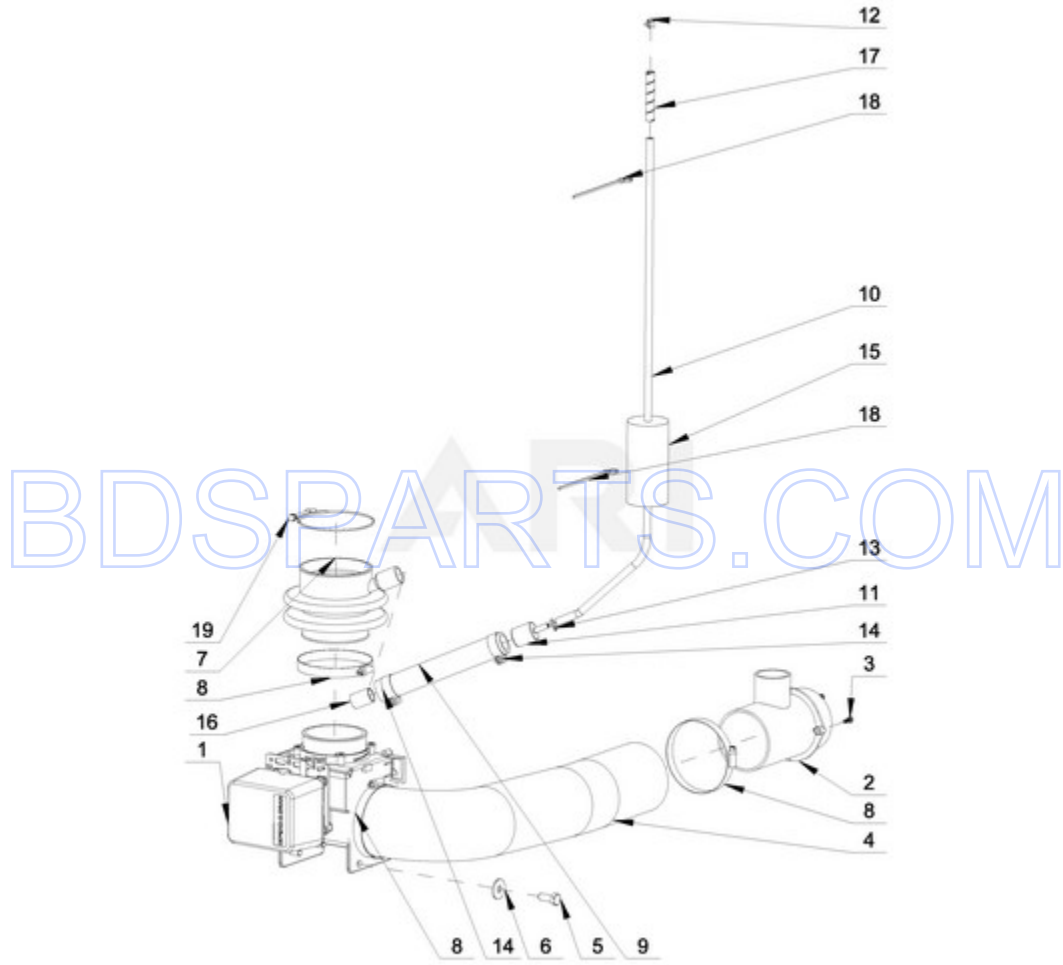
Page design © 2004-2017 by ARI Network Services, Inc.

BDSPARTS.COM

| Ref # | Part # | Description | Qty | Context | Note | MSRP |
|-------|-----------|-------------------------------------|-----|---------|------|------|
| 30 | 23001506 | HOSE CLAMP (12-22) | | | | |
| 26 | 23001507 | HOSE, INLET | | | | |
| 24 | 23001523 | HOSE, CONNECTION | | | | |
| 15 | 23001256 | HOSE CLAMP (60-80) | | | | |
| 32 | 23001258 | HOSE CLAMP (70-90) | | | | |
| 31 | 23001262 | HOSE CLAMP (20-32) | | | | |
| 29 | 23002398 | BOLT M4X16 | | | | |
| 25 | 23002921 | WASHER, FILL HOSE | | | | |
| 17 | 23002922 | FILTER SCREEN | | | | |
| 9 | 23003782 | SCREW | | | | |
| 33 | 23001750 | HOSE CLAMP (40-60) | | | | |
| 22 | 23003964 | TEMPERATURE SENSOR | | | | |
| 13 | W10711800 | SCREW 4X11 | | | | |
| 1 | W10714957 | SOAP HOPPER COMPLETE | | | | |
| 2 | W10712626 | UPPER COVER OF SOAP HOPPER | | | | |
| 3 | W10712627 | FLAP | | | | |
| 4 | W10712628 | PIN | | | | |
| 5 | W10712629 | DISPENSER SEAL | | | | |
| 6 | W10712630 | DISPENSER LID | | | | |
| 7 | W10712635 | SOAP HOPPER INSERT PRIMARY | | | | |
| 8 | W10712637 | SOAP HOPPER INSERT SECONDARY | | | | |
| 10 | W10712640 | MIXER - COMPLETE | | | | |
| 11 | W10712642 | MIXER BODY | | | | |
| 12 | W10712644 | MIXER LID | | | | |
| 14 | W10712646 | THREE-WAY VALVE - COMPLETE (3/4") | | | | |
| 16 | W10712721 | FOUR-WAY VALVE - COMPLETE (3/4") | | | | |
| 18 | W10712647 | FILLING ELBOW - PIPE | | | | |
| 19 | W10725474 | OVERFLOW TUBE | | | | |
| 20 | W10726649 | HOSE, VENTING | | | | |
| 21 | W10725478 | DISPENSER ELBOW - PIPE | | | | |
| 23 | W10712713 | SEALING RING, TEMPERATURE SENSOR | | | | |
| 27 | W10712716 | HOSE CLAMP (62-70) | | | | |
| 28 | W10712718 | BOLT 4X12 | | | | |
| 34 | W10734787 | BLOCK-OFF, DISPENSER CAVITY | | | | |

MXR20PDATS - 08 - DRAIN SYSTEM PARTS

DRAIN SYSTEM PARTS



09/22/2014

14

Part No. W10725810 Rev. B

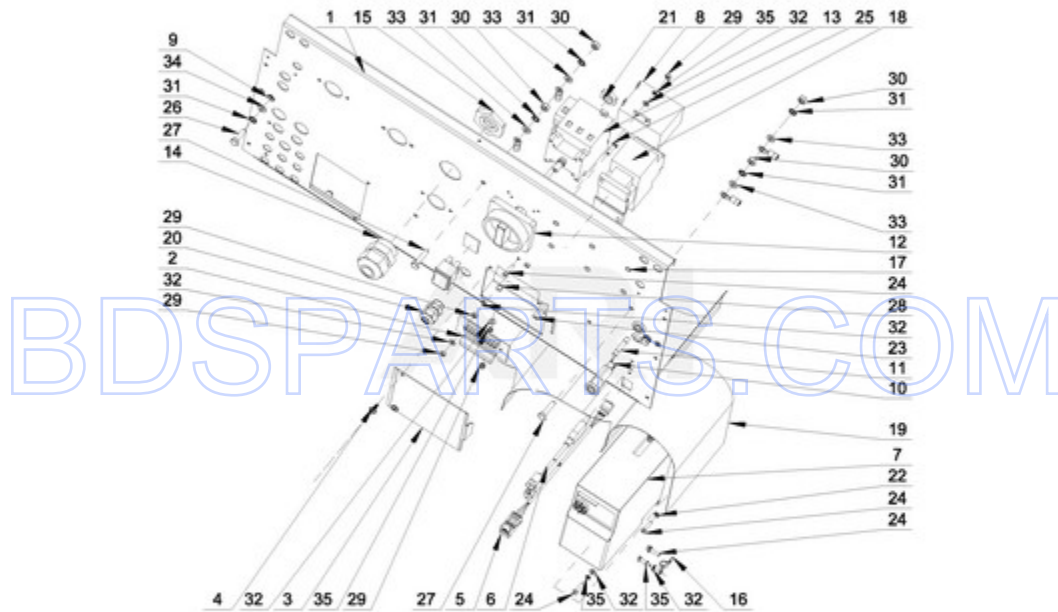
Page design © 2004-2017 by ARI Network Services, Inc.

BDSPARTS.COM

| Ref # | Part # | Description | Qty | Context | Note | MSRP |
|-------|-----------|------------------------------|-----|---------|------|------|
| 10 | 23001252 | UPPER HOSE, PRESSURE SWITCH | | | | |
| 13 | 23001257 | CLAMP, CORBIN (A5.5) | | | | |
| 8 | 23001258 | HOSE CLAMP (70-90) | | | | |
| 11 | 23001260 | PRESSURE SWITCH HOSE FITTING | | | | |
| 14 | 23001262 | HOSE CLAMP (20-32) | | | | |
| 6 | 23002437 | WASHER M8 | | | | |
| 5 | 23002475 | BOLT M8X20 | | | | |
| 9 | 23001246 | LOWER HOSE, PRESSURE SWITCH | | | | |
| 1B | W10357127 | DRAIN VALVE (MOTOR ONLY) | | | | |
| 15 | 23004491 | LARGER BUMPER | | | | |
| 3 | W10712718 | BOLT 4X12 | | | | |
| 1 | W10712775 | DRAIN VALVE - COMPLETE | | | | |
| 1A | W10712776 | DRAIN VALVE (CHAMBER) | | | | |
| 2 | W10712777 | T-CONNECTOR | | | | |
| 4 | W10712787 | DRAIN ELBOW | | | | |
| 7 | W10712797 | DRAIN HOSE PIPE | | | | |
| 12 | W10712806 | SPRING CLAMP | | | | |
| 16 | W10712804 | BRACING TUBE | | | | |
| 17 | W10712803 | SPIRAL TUBE | | | | |
| 18 | W10657139 | BINDING STRIP (130 X 2.6MM) | | | | |
| 19 | W10712805 | HOSE CLAMP (82-90) | | | | |

MXR20PDATS - 09 - REAR PANEL PARTS

REAR PANEL PARTS



| Ref # | Part # | Description | Qty | Context | Note | MSRP |
|-------|-----------|---|-----|---------|------|------|
| NI | N/P | FOLLOWING PARTS NOT ILLUSTRATED | | | | |
| 18 | 23003750 | CONTACTOR, FREQUENCY INVERTER | | | | |
| 24 | 23002398 | BOLT M4X16 | | | | |
| 27 | 23002806 | BOLT M6X25 | | | | |
| 10 | 23002210 | FUSE HOLDER (6X32MM) | | | | |
| 26 | 23002462 | BOLT M6X20 | | | | |
| 30 | 23002651 | NUT M6 | | | | |
| 31 | 23002425 | WASHER, LOCK M6 | | | | |
| 33 | 23003767 | WASHER M6.4 | | | | |
| 34 | 23002424 | WASHER M6.4 | | | | |
| 23 | 23002473 | FOAM CONNECTOR GASKET | | | | |
| 29 | 23003666 | NUT M4 | | | | |
| 32 | 23002438 | WASHER M4.3 | | | | |
| 22 | 23002950 | WASHER, LOCK M4 | | | | |
| 25 | 23004095 | BOLT M4X16 | | | | |
| 17 | 23002362 | RIVET W/CRANK (4X7) | | | | |
| 35 | 23002400 | WASHER M4 | | | | |
| 11 | 23003385 | FUSE 1A 6X32 | | | | |
| 28 | 23001682 | BOLT M4X8 | | | | |
| 12 | 23003497 | MAIN SWITCH KNOB | | | | |
| 13 | 23003500 | MAIN SWITCH 25A | | | | |
| 14 | 23004494 | LARGE STRAIN RELIEF | | | | |
| 15 | 23004495 | LARGE STRAIN RELIEF NUT | | | | |
| 9 | 23001575 | NUT, INSERT M6 | | | | |
| 20 | 23004396 | SMALL STRAIN RELIEF M16 | | | | |
| 21 | 23004398 | SMALL STRAIN RELIEF NUT M16 | | | | |
| 2 | W10286355 | SIGNAL BOARD MC5 | | | | |
| 4 | W10711800 | SCREW 4X11 | | | | |
| 1 | W10725513 | REAR PANEL - COMPLETE | | | | |
| 2A | W10665043 | CABLE, PUMP RELAY BOARD TO LED TERMINAL | | | | |
| 3 | W10725522 | REAR PANEL, LID | | | | |
| 5 | W10713154 | CABLE, RS485 CONNECTORS | | | | |
| 6 | W10713157 | CABLE, USB - REAR PANEL CONNECTION | | | | |
| 7 | W10725523 | INVERTER, FREQUENCY | | | | |
| 7A | W10713110 | CABLE, COMMUNICATION | | | | |
| 8 | W10725530 | FILTER | | | | |

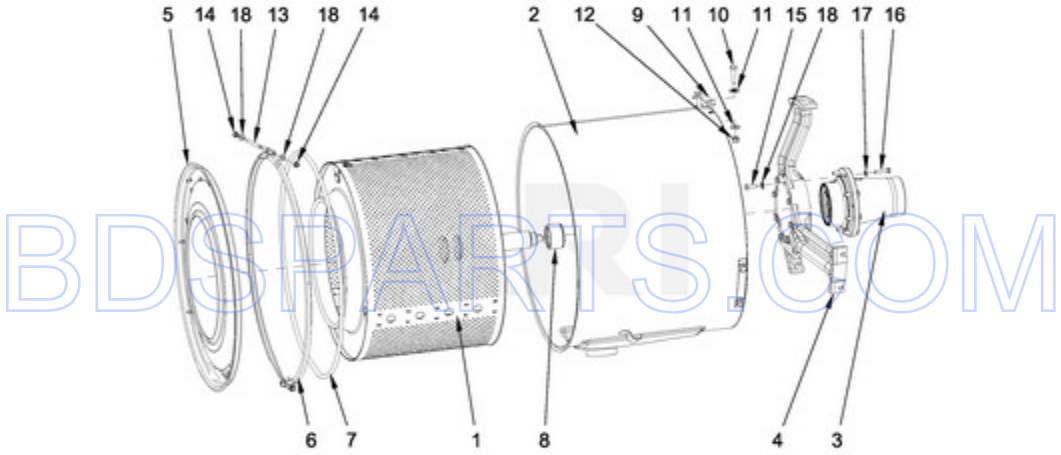
| Ref # | Part # | Description | Qty | Context | Note | MSRP |
|--------------|---------------|---------------------------------------|------------|----------------|-------------|-------------|
| 16 | W10713152 | CABLE CLAMP | | | | |
| 19 | W10725552 | COVER - MOTOR/FREQUENCY INVERTER | | | | |
| NI | W10725560 | WIRING, MAIN | | | | |
| NI | W10713163 | KIT, LIQUID SOAP SUPPLY CONNECTION | | | | |

BDSPARTS.COM

BDSPARTS.COM

MXR20PDATS - 10 - DRUM AND TUB PARTS

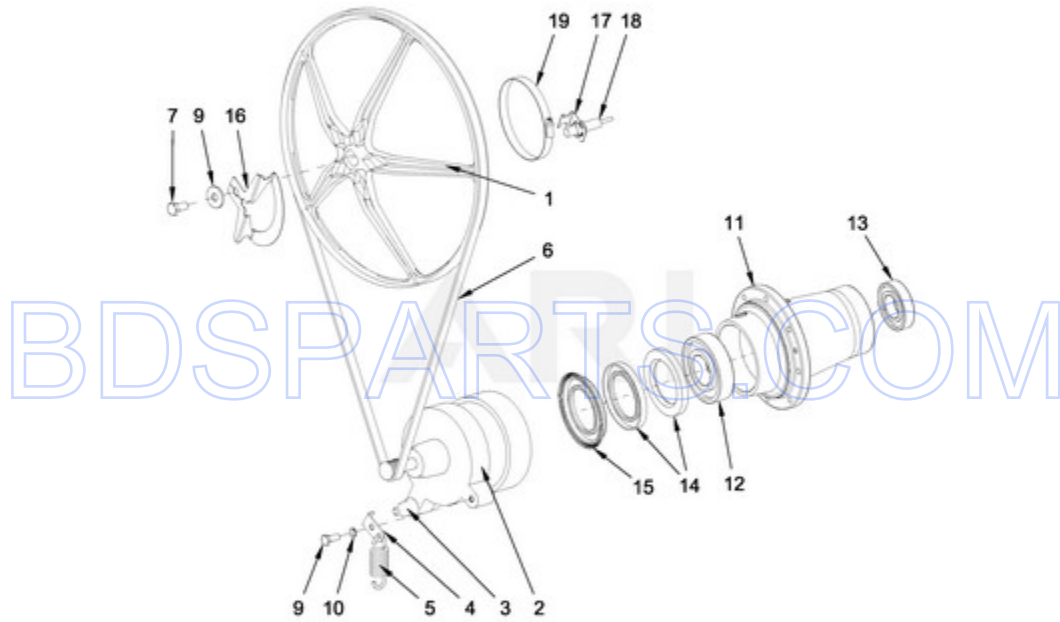
DRUM AND TUB PARTS



| Ref # | Part # | Description | Qty | Context | Note | MSRP |
|-------|-----------|--|-----|---------|------|------|
| NI | N/P | FOLLOWING PARTS NOT ILLUSTRATED | | | | |
| 16 | 23003765 | BOLT M8X35 | | | | |
| 17 | 23003769 | WASHER M8 | | | | |
| 12 | 23001241 | NUT M10 | | | | |
| 14 | 23002487 | NUT M8 | | | | |
| 18 | 23001608 | WASHER M8.4 | | | | |
| 13 | 23002486 | BOLT M8 | | | | |
| 15 | 23003419 | SCREW M8X24 | | | | |
| 11 | 23002988 | WASHER M10 | | | | |
| 10 | W10304863 | BOLT M10X40 | | | | |
| 1 | W10725703 | DRUM, WASHER - COMPLETE | | | | |
| 2 | W10713386 | EXTERNAL TUB - COMPLETE, ELECTRICAL HEATING | | | | |
| 3 | W10725710 | TRUNNION - COMPLETE | | | | |
| 4 | W10713399 | SUPPORT, TUB | | | | |
| 5 | W10713405 | FRONT TUB PANEL - COMPLETE | | | | |
| 6 | W10713410 | CLAMP - COMPLETE | | | | |
| 7 | W10713413 | SEAL D10-1800MM | | | | |
| 8 | W10713945 | SEALING SLEEVE | | | | |
| 9 | W10713947 | WASHER, CROSS PIECE | | | | |
| NI | W10713950 | SCREW LOCK | | | | |

MXR20PDATS - 11 - DRIVE PARTS

DRIVE PARTS



| Ref # | Part # | Description | Qty | Context | Note | MSRP |
|-------|-----------|---------------------------------|-----|---------|------|------|
| NI | N/P | FOLLOWING PARTS NOT ILLUSTRATED | | | | |
| 19 | 23001025 | HOSE CLAMP (90-110) | | | | |
| 10 | 23001265 | WASHER M8 | | | | |
| 13 | 23001232 | BEARING (6207) | | | | |
| 3 | 23004307 | BUSHING RUBBER, MOTOR | | | | |
| 8 | 23004310 | BOLT 5/16 X 1 | | | | |
| 12 | 23001231 | BEARING (6209 2RS C3) | | | | |
| 5 | 23004156 | SPRING, TENSION | | | | |
| 7 | 23002648 | BOLT M10X20 | | | | |
| 9 | 23004023 | WASHER M10 | | | | |
| 1 | W10713992 | V-PULLEY DRUM | | | | |
| 2 | W10725724 | MOTOR | | | | |
| 4 | W10725727 | SPRING HOLDER | | | | |
| 6 | W10713980 | BELT | | | | |
| 11 | W10725784 | BEARING HOUSING | | | | |
| 14 | W10714022 | RING SEAL 65X100X10 | | | | |
| 15 | W10714025 | RING SEAL 65X100/114X9/12 | | | | |
| 16 | W10747775 | PLATE, SPEED SENSOR | | | | |
| 17 | W10747779 | BRACKET, SPEED SENSOR | | | | |
| 18 | W10747780 | SPEED SENSOR | | | | |
| NI | W10725729 | MOTOR WIRING | | | | |

BDSPARTS.COM

BDSPARTS.COM