

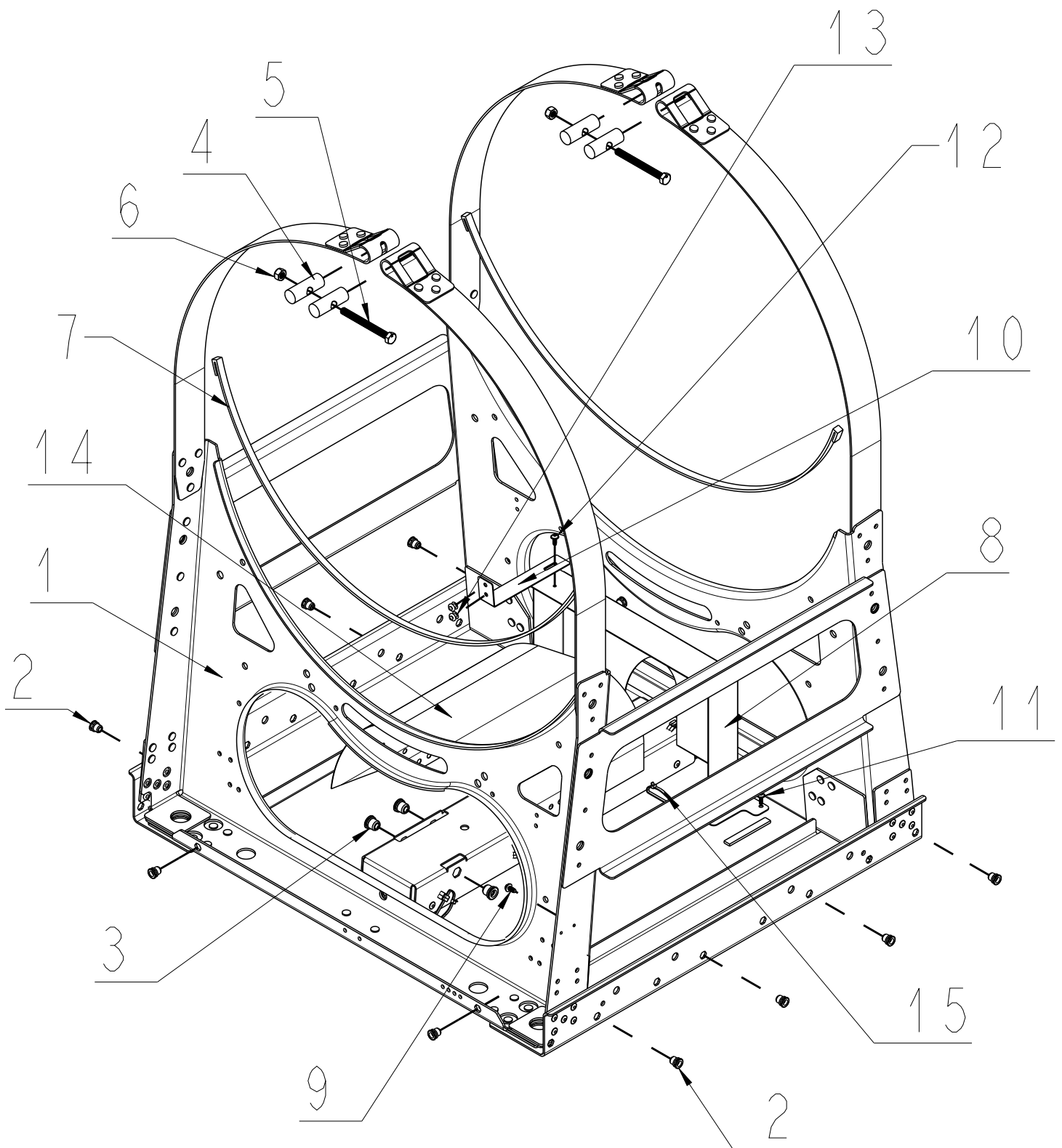


# COMMERCIAL INDUSTRIAL WASHER SERVICE PARTS LIST

## MODELS:

MYR40

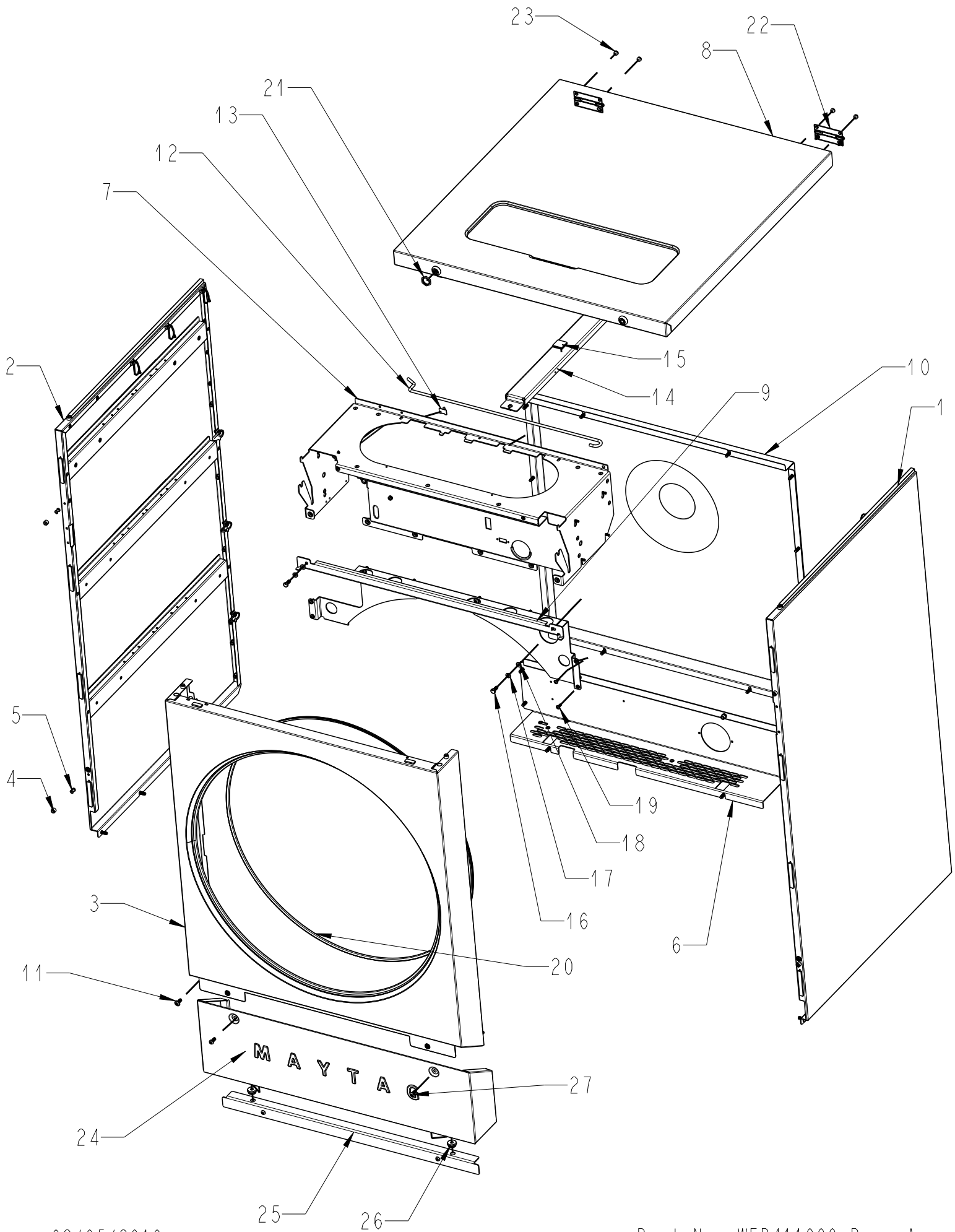
# FRAME PARTS



# FRAME PARTS

<u>Illus.</u> <u>No.</u>	<u>Part No.</u>	<u>Description</u>
1	WFR837197	Frame Complete 40R
2	WFR150713	M6-1 X 14 Rivet Nut
3	WFR150729	M8-1.25 X 17 Rivet Nut
4	WFR130710	TUB STRAP PIN
5	WFR150730	M8-1.25 X 8 Hex Bolt
6	WFR150718	M8-1.25 X 8 Hex Nut
7	WFR117604	Foam Cushion Tape
8	WFR379100	Motor Drip Guard
9	WFR150817	Metric Ground Screw
10	WFR379111	Motor Guard Bracket
11	WFR150716	M4-0.7 X 12 BHW 6L SS
12	WFR150709	M4-0.7 X 11 BHW 6L LR LSER STL
13	WFR184092	4.8 X 10.8 DH OE SS Rivet
14	WFR130519	Motor Drip Guard - Rigid
15	WFR121499	40 MM Standard Cable Tie

# CABINET PARTS

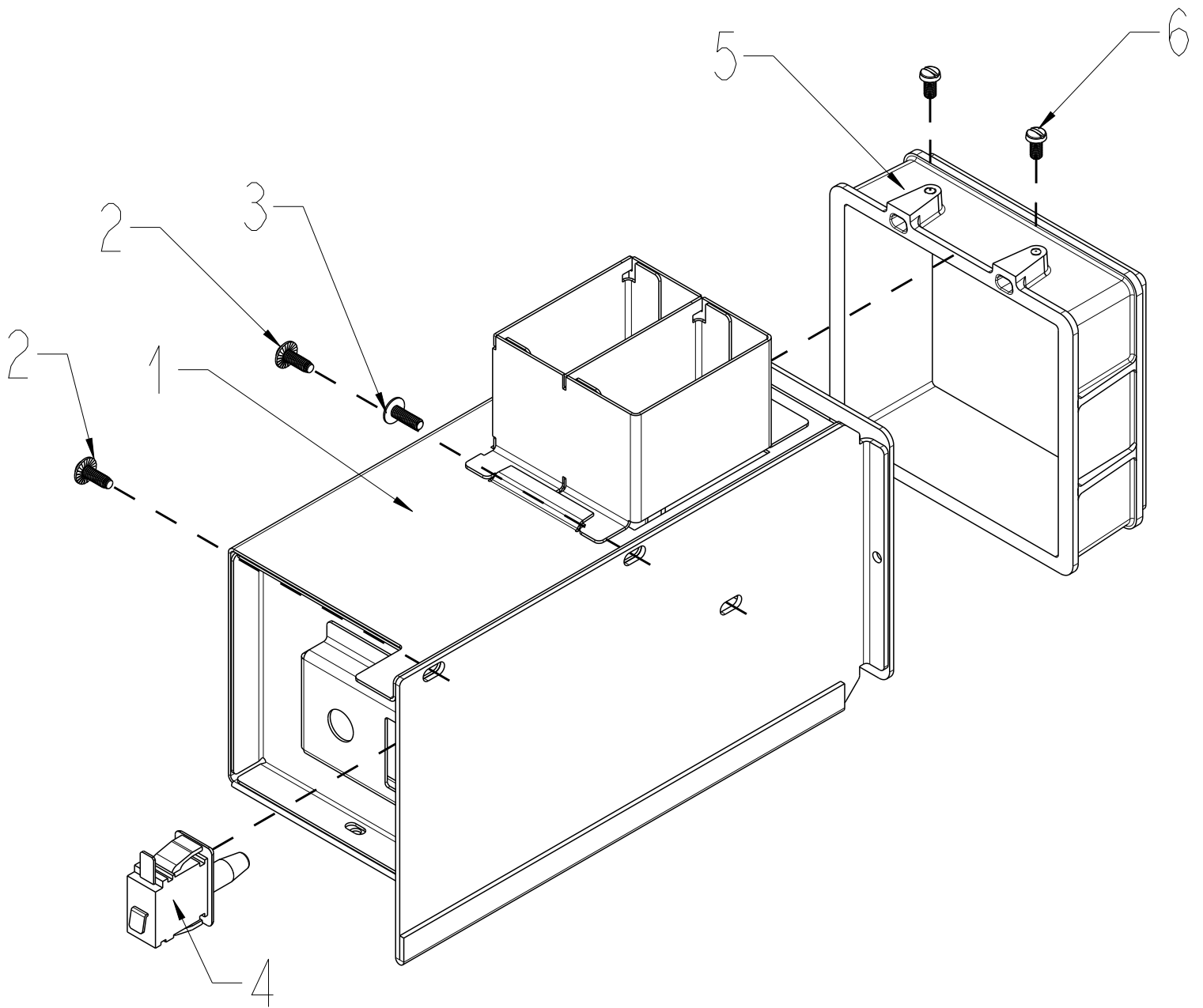




# CABINET PARTS

<u>Illus.</u>	<u>No.</u>	<u>Part No.</u>	<u>Description</u>
	1	WFR837262	Side Panel Right - Painted
	1A	WFR837278	Side Panel Right - Stainless
	2	WFR837294	Side Panel Left - Painted
	2A	WFR837310	Side Panel Left - Stainless
	3	WFR837252	Front Panel Complete - Stainless Coin
	3A	WFR837564	Front Panel Complete - Stainless Opt or Card
	4	WFR130914	Alignment pin
	5	WFR154228	Rivet
	6	WFR837324	Lower Back Panel
	7	WFR837336	Control Bracket
	8	WFR837346	Top Cover Complete
	9	WFR837658	Lower Control Bracket
	10	WFR379010	Back Panel
	11	WFR150707	M6-1 x 16 bhw 6l ss
	12	WFR130628	Top Prop Rod
	13	WFR130632	Prop Rod Holder
	14	WFR398593	Top Cover Support
	15	WFR124229	Top Cover Support Velcro
	16	WFR150760	M6-1 x 16 hx stl
	17	WFR150763	M6 Helical Spring Lock Washer
	18	WFR150739	Washer-Flat M6
	19	WFR150716	M4-0.7 x 12 bhw 6l ss
	20	WFR130503	Edge Protector - Rigid
	21	WFR130644	Top Cover Lock Complete
	21A	WFR160140	Top Cover Lock Key- Not Illustrated
	22	WFR124419	Top Cover Hinge
	23	WFR154230	Rivet 5mm 1.6-3.2 ss
	24	WFR837769	Panel Toe Maytag Complete
	25	WFR868345	Bracket Toe Panel Mount
	26	WFR130772	Grommet 1/4" id 7/8" od sbr r
	27	WFR150765	M6-1 x 16 bh 6ltm ss

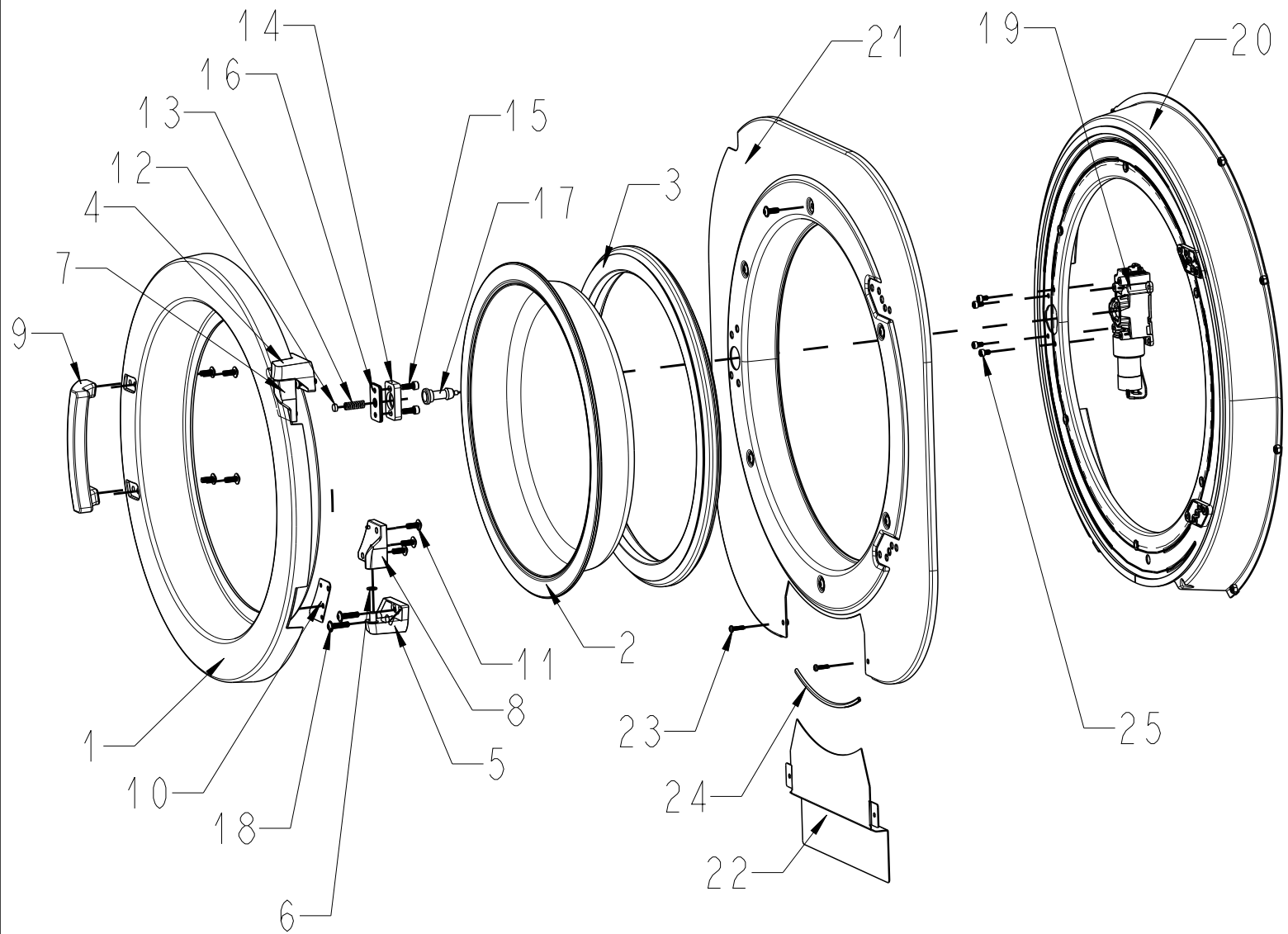
# COIN VAULT PARTS



# COIN VAULT PARTS

<u>Illus.</u> <u>No.</u>	<u>Part No.</u>	<u>Description</u>
1	WFR837782	Coin Vault
2	WFR150709	M4-0.7 X 11 BHW 6L LR LSER STL
3	WFR150716	M4-0.7 X 12 BHW 6L SS
4	WFR122116	Coin Vault Switch
5	WFR130630	Coin Vault Frame
6	WFR150703	M4-0.7 X 8 CH SL STL

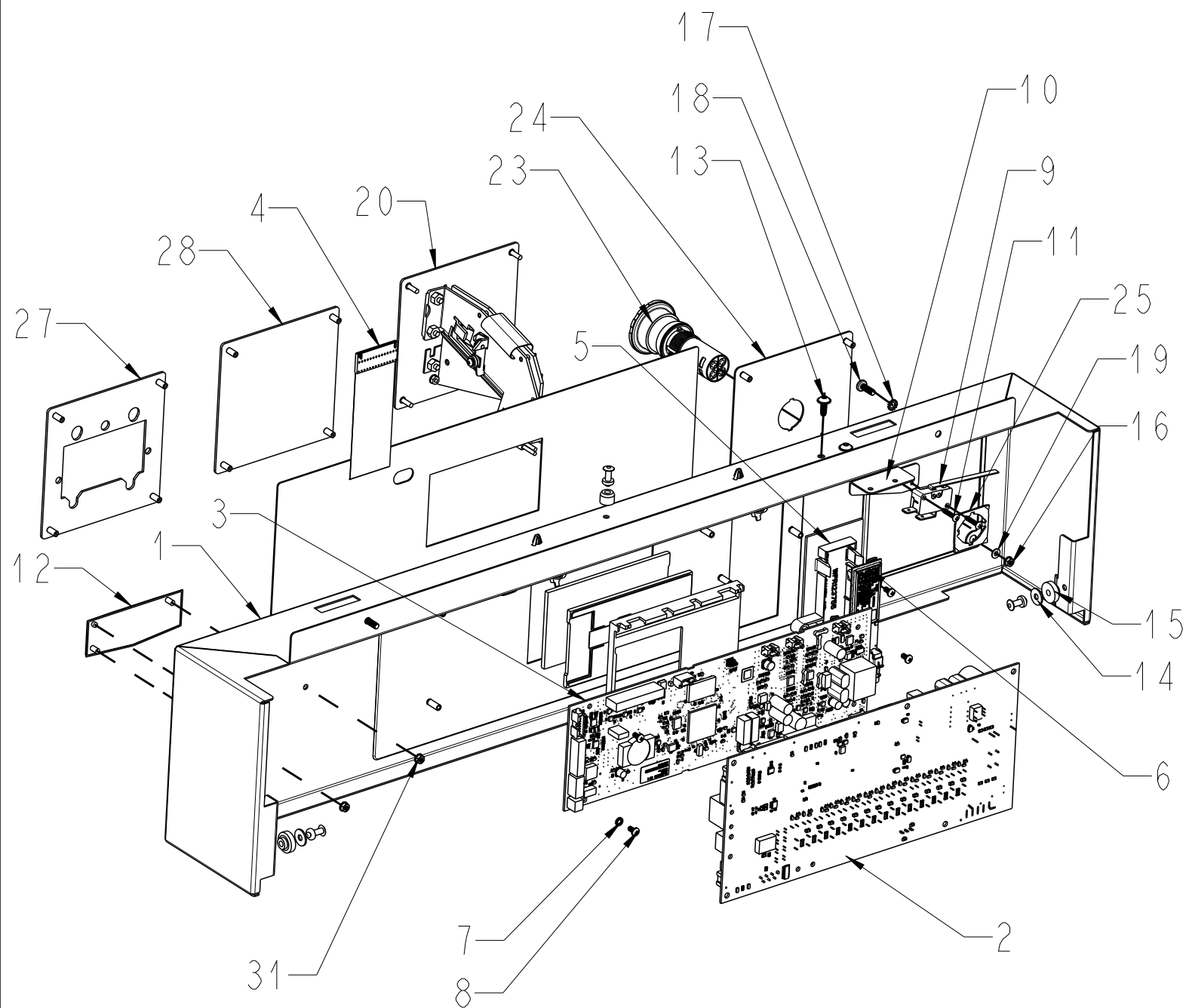
# DOOR PARTS



# DOOR PARTS

<u>Illus.</u>	<u>No.</u>	<u>Part No.</u>	<u>Description</u>
	1	WFR837843	Door Frame
	2	WFR130700	Door Glass
	3	WFR130705	Door Gasket
	4	WFR837648	Upper Door Hinge
	5	WFR837650	Lower Door Hinge
	6	WFR150821	M8 Nylon Washer
	7	WFR837840	Upper Door Hinge Block
	8	WFR837841	Lower Door Hinge Block
	9	WFR124332	Door Handle
	10	WFR398657	Door Hinge Shim
	11	WFR150707	M6-1 X 16 BHW 6L SS
	12	WFR379054	Door Lock Spring Pad
	13	WFR124336	Door Lock Pin Spring
	14	WFR124337	Door Lock Bracket
	15	WFR150805	Door Lock Pin Bracket Mounting Screw M6
	16	WFR379025	Door Lock Pin Shim Bracket
	17	WFR124335	Door Lock Pin
	18	WFR150714	Screw-WBHTORX M6X25
	19	WFR868421	Door Lock Assembly
	19A	WFR123603	Door Lock Harness - Not Illustrated11
	20	WFR884637	Door Support Plate - Service
	21	WFR379012	Ornament Panel
	22	WFR884639	Front Panel Heater Cover - Service
	23	WFR150708	M4-0.7 X 16 MPN 6L STL
	24	WFR130850	Heater Cover Asm Rubber Trim 195 mm
	25	WFR150804	M5-0.8X8MM SHCS 18-8 ST STL

# CONTROL PANEL PARTS

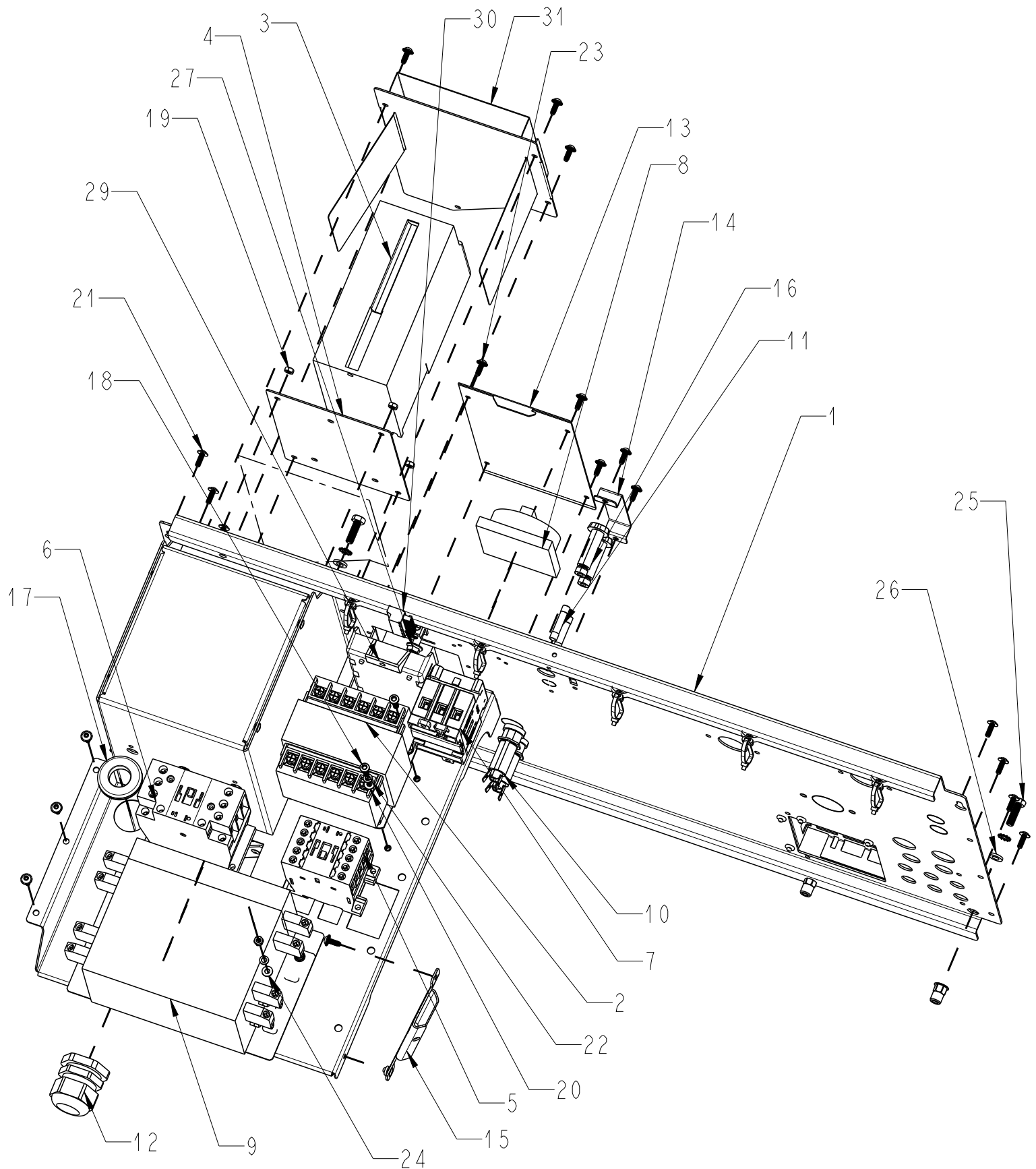


# CONTROL PANEL PARTS

Illus.

<u>No.</u>	<u>Part No.</u>	<u>Description</u>
1	WFR884642	Console Panel - Service
2	WFR130639	ACU Board
3	WFR130638	Human Machine Interface
4	WFR123715	Keypad Membrane Switch Vended
4A	WFR130643	Keypad Membrane Switch OPL
5	WFR123755	Wifi Mounting Board
6	WFR123649	Wifi Module
7	WFR150722	3.2ID 6OD 0.4THK MM ETLW SER S
8	WFR150792	M3-0.5 X 6 CH CR STL
9	WFR122200	Service Switch
10	WFR398630	Service Switch Bracket
11	WFR150788	Service Switch Screw
12	WFR130747	Maytag Badge
13	WFR150709	M4-0.7 X 11 BHW 6L LR LSER STL
14	WFR150712	4.3ID 12OD 1THK MM FLW STL
15	WFR130637	Console Roller
16	WFR150710	M4-0.7 X 3.05 HX NUT STL
17	WFR150706	4.3ID 8OD 0.5THK MM ETLW SER S
18	WFR150717	M4-0.7 X 12 MPN 6L STL
19	WFR150711	4.3ID 9OD 0.8THK MM FLW STL
20	WFR124324	US 25 Cent Coin Drop
20A	WFR125301	Canadian Dual Coin Drop
20B	W10247389	Coin Drop Sensor US/Canadian - Not Illustrated
21	WFR125302	Electronic Coin Acceptor - Not Illustrated
22	WFR130565	Estop Button Jumper-Vended Only - Not Illustrated
23	WFR122346	Estop Switch&Nut
24	WFR837629	Estop Facia
25	WFR122345	Estop ANti Rotating Ring
26	WFR130564	Estop Harness - Not Illustrated
27	WFR868356	Card REader Plate ASM
28	WFR868408	Console Block-Off Plate ASM
29	WFR123605	ACU To HMI Harness - Not Illustrated
30	WFR123668	HMI To WIFI Module Harness - Not Illustrated
31	WFR150724	M3.-05 X 3.3 HX LSEMS STL

# REAR PANEL AND CONTROL TRAY PARTS

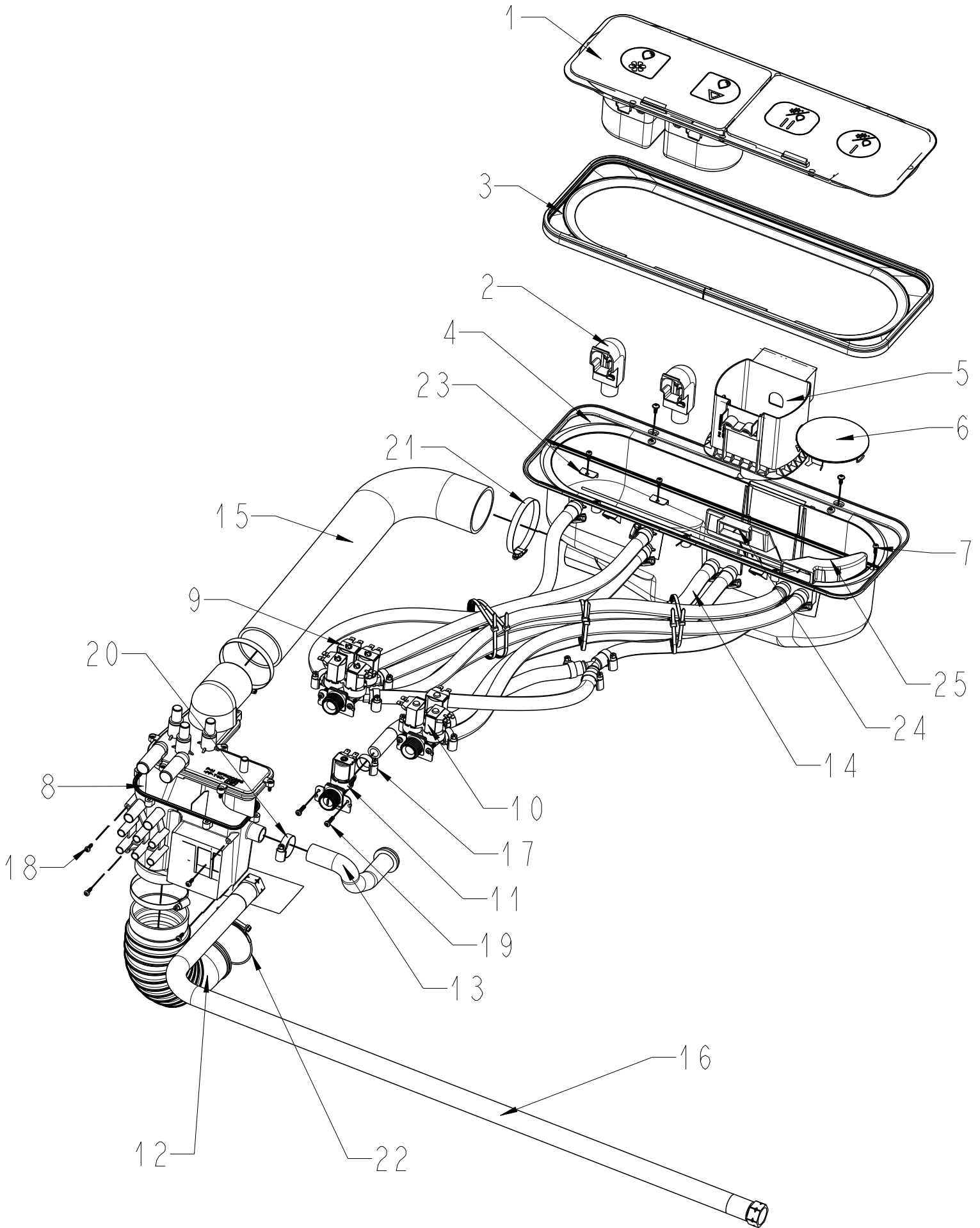




# REAR PANEL AND CONTROL TRAY PARTS

<u>Illus.</u> No.	<u>Part No.</u>	<u>Description</u>
1	WFR837394	Rear Panel Control Tray
2	WFR123750	200-240v Transformer
2A	WFR123730	380-480v Transformer
3	WFR130656	Inverter Drive 208-240v 1ph
3A	WFR123720	Inverter Drive 208-240v 3ph
3B	WFR123646	Inverter Drive 380-480v 3ph
4	WFR868320	Inverter Mounting Plate
5	WFR130653	Contactator Motor 1Ph
5A	WFR123729	Contactator Motor 3Ph
5B	WFR130572	Motor Contactator Harness-Not Illustrated
6	WFR123729	Contactator Heater
6A	WFR130571	Heater Contactator Harness-Not Illustrated
7	WFR130669	Power Switch 1Ph
7A	WFR130709	Power Switch 3Ph
7B	WFR130569	Power Switch Harness-Not Illustrated 3Ph Only
8	WFR123732	Power Switch Knob
9	WFR130326	Line Filter 1Ph
9A	WFR130327	Line Filter 3Ph
9B	WFR130570	Line Filter Harness-Not Illustrated 3Ph Only
10	WFR130666	Fuse Housing
11	WFR130667	Fuse 1 Amp
12	WFR130676	Strain Relief- Cord grip
13	WFR379124	Rear Panel Access Cover
14	WFR398832	Fuse Guard
15	WFR398670	Control Tray Strap
16	WFR123757	Fuse Holder
17	WFR121406	Rubber Grommet
18	WFR150708	M4-0.7 x 16 MPN 6L STL
19	WFR150710	Nut-Hex m4
20	WFR150711	Washer-Flat M4X
21	WFR150716	M4-0.7 x 12 BHW 6L SS
22	WFR150721	Washer-Serrated m4
23	WFR150709	M4-0.7 x 11 Bhw 6l lr lser stl
24	WFR150723	Washer-Serrated m6
25	WFR150738	Bolt-Hex M6x20
26	WFR150739	Washer-Flat m6
27	WFR150786	Nut-Bonding M6x1 Green
28	WFR130578	Main Harness-Not Illustrated
29	WFR130640	Soap Signal Board
30	WFR123648	Soap Signal Harness Connector
30A	WFR130674	Soap Signal Harness Cord Grip - Not Illustrated
31	WFR868362	VFD Access Panel

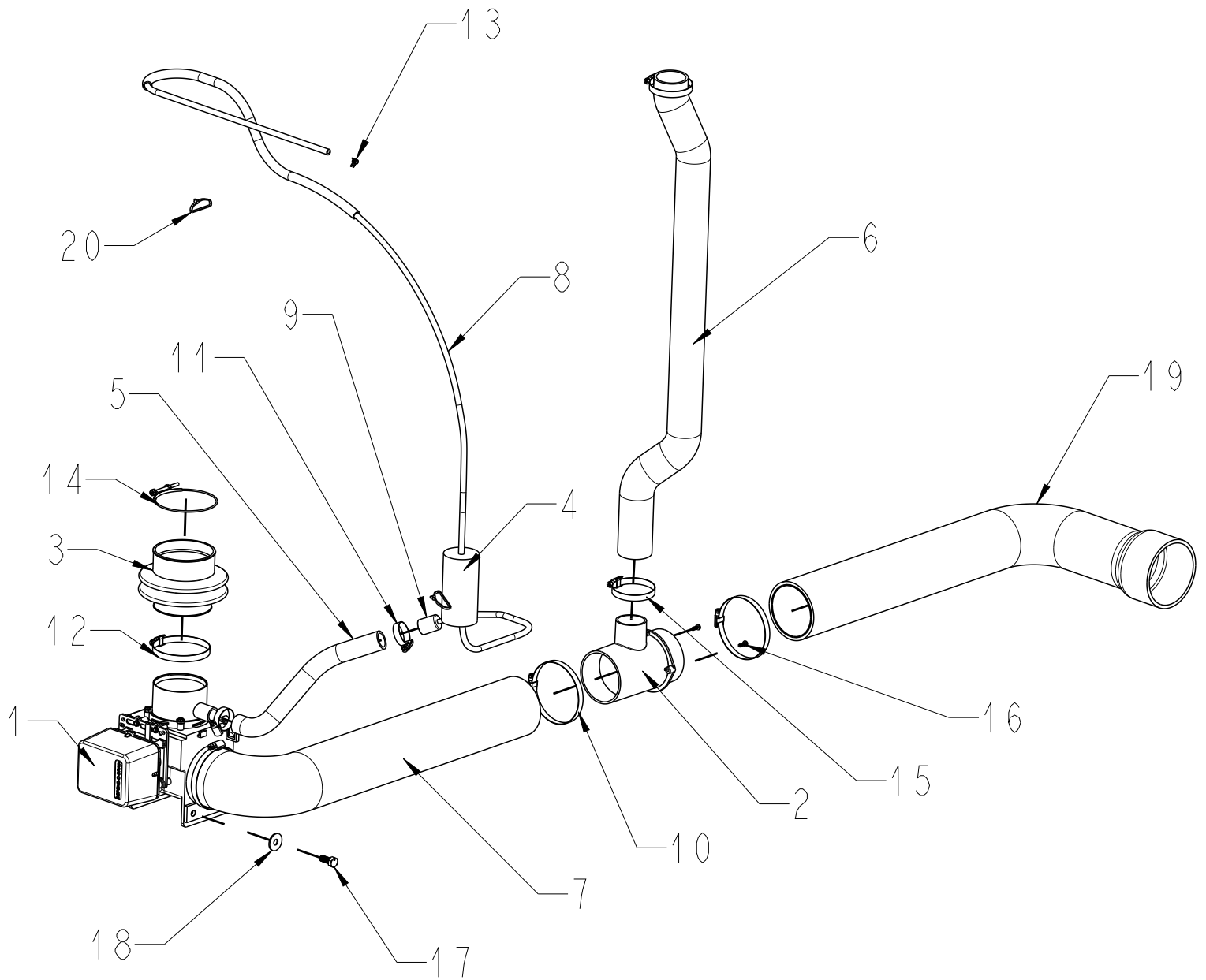
# WATER INLET PARTS



# WATER INLET PARTS

<u>Illus.</u>	<u>Part No.</u>	<u>Description</u>
1	WFR884636	Dispenser Cover And Lid Assembly - Service
2	WFR130879	Dispenser Siphon
3	WFR130881	Dispenser Seal
4	WFR130883	Dispenser Container
5	WFR130884	Dispenser Cup
6	WFR130983	Dispenser Cavity Cover
7	WFR150820	4-1.8 X 12 MPN 6L SLR SS
8	WFR837491	Manifold Assembly
9	WFR130805	Inlet Valve - 4 Way
10	WFR130888	Inlet Valve - 3 Way
11	WFR130889	Optional 3rd Inlet Valve - Cold/Soft
12	WFR130943	Internal Fill Hose
13	WFR130951	Air Bleed Tube
14	WFR130680	Internal Fill Hose
15	WFR130959	Internal Fill Hose - Elbow
16	WFR130514	Inlet Hose W/WASHERS
17	WFR150708	M4-0.7 X 16 MPN 6L STL
18	WFR150715	4-1.8 X 12 MPN 6L SLR
19	WFR124201	Hose Clamp 12-22 mm
20	WFR124209	Hose Clamp 20-32 mm
21	WFR124210	Hose Clamp 60-80 mm
22	WFR124241	Hose Clamp 70 mm
23	WFR379056	Siphon Clip
24	WFR130152	Nozzle, Mainwash
25	WFR130151	Nozzle, Pre Wash

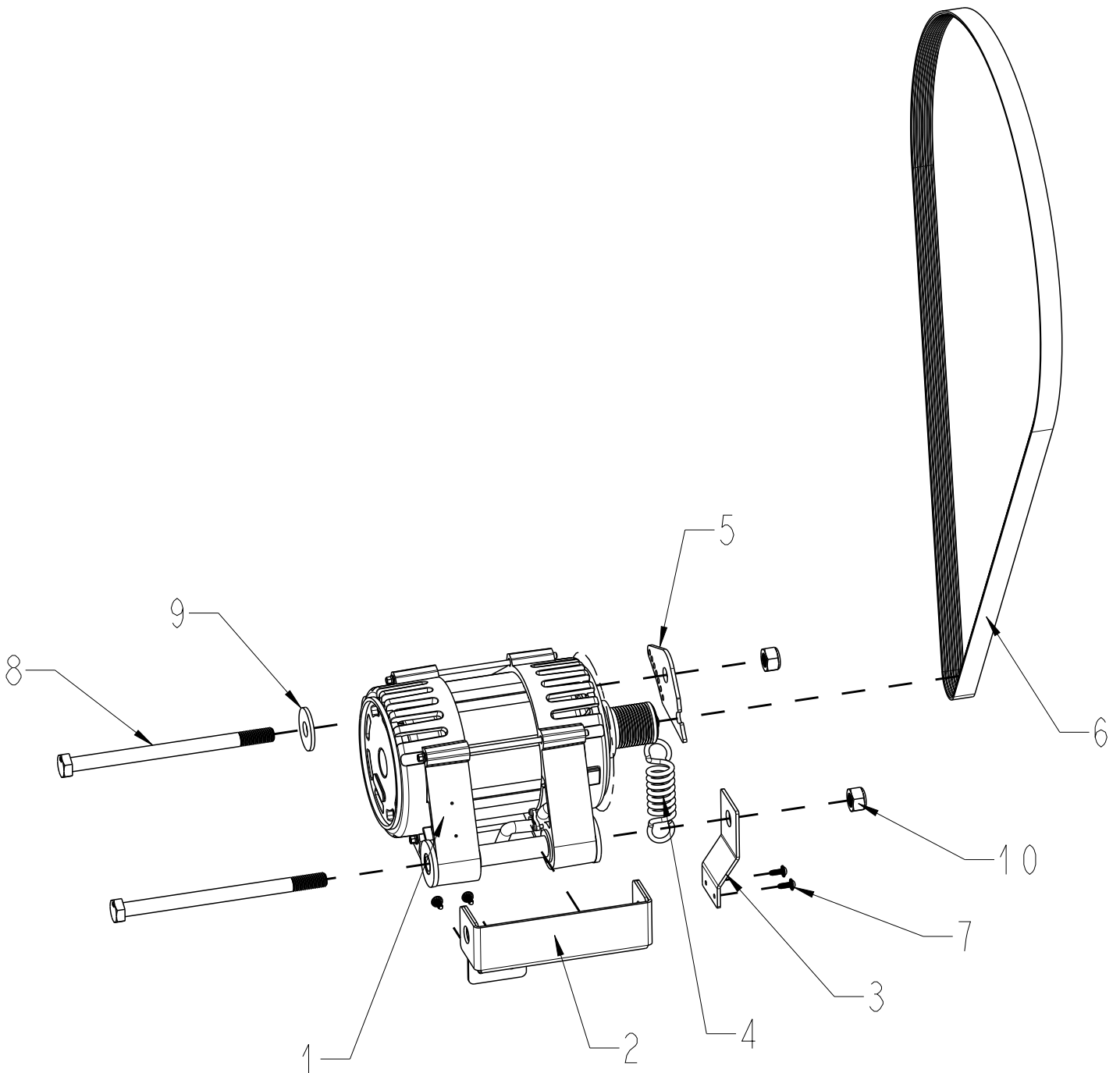
# DRAIN SYSTEM PARTS



# DRAIN SYSTEM PARTS

<u>Illus.</u> <u>No.</u>	<u>Part No.</u>	<u>Description</u>
1	WFR130902	Drain Valve
2	WFR130903	T Fitting
3	WFR130905	Tub To Valve Hose
4	WFR130913	Foam Sleeve
5	WFR130921	Lower Pressure Switch Hose
6	WFR130950	Overflow Drain Tube
7	WFR130970	Internal Drain Hose
8	WFR130997	Upper Pressure Switch Hose
9	WFR130696	Air Trap Reducer
10	WFR124202	Hose Clamp 70-90 MM
11	WFR124209	Hose Clamp 20-32 MM
12	WFR124210	Hose Clamp 60-80 MM
13	WFR124218	Corbin Clamp
14	WFR124220	Hose Clamp 80-90 MM
15	WFR124221	Hose Clamp 40-60 MM
16	WFR150715	4-1.8 X 12 MPN 6L SLR
17	WFR150731	M8-1.25 X 20 HX STL
18	WFR150732	Washer M8X25OD
19	WFR130977	External Drain Hose
20	WFR121499	40 MM Standard Cable Tie

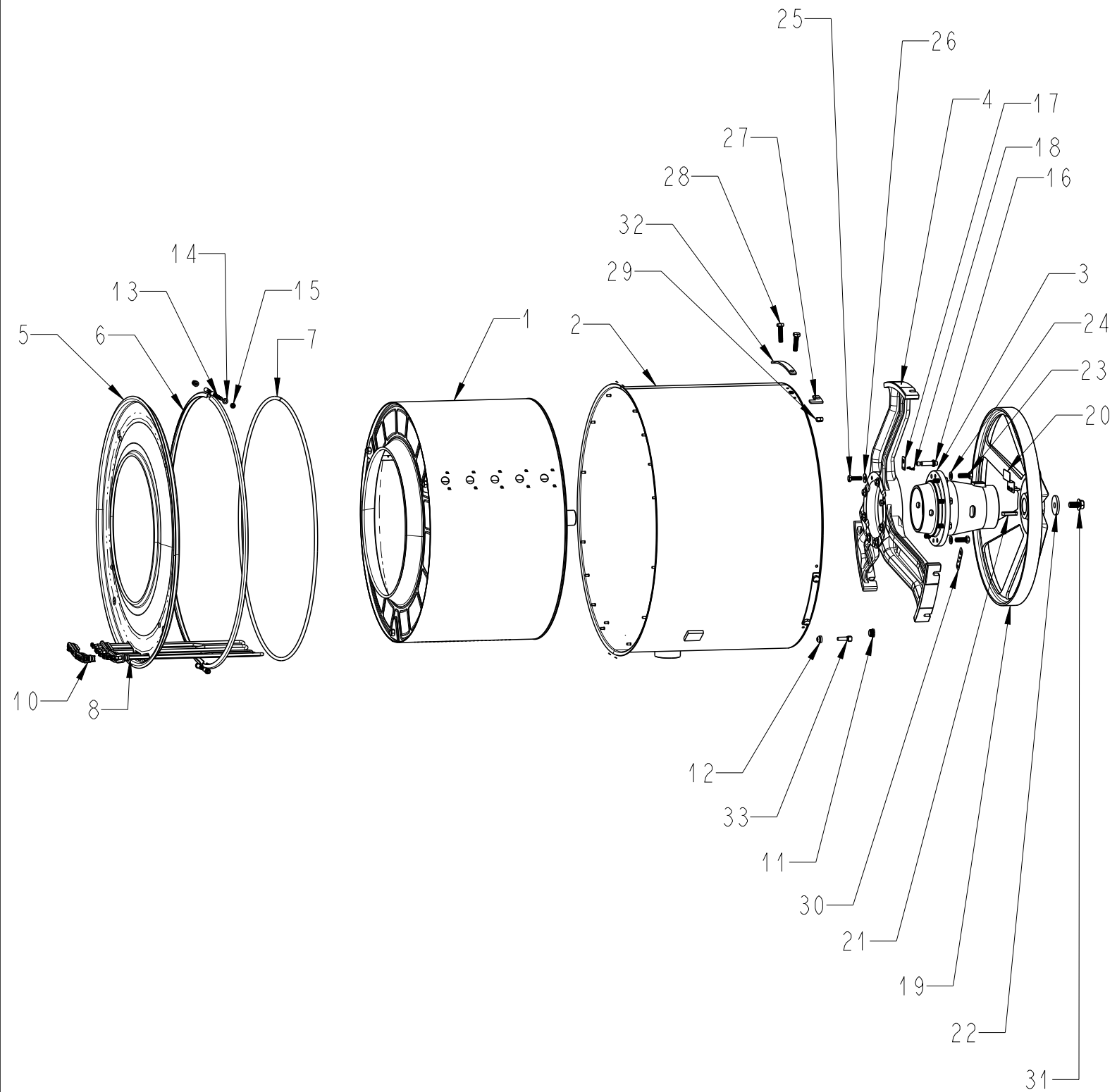
# DRIVE PARTS



# DRIVE PARTS

<u>Illus.</u> <u>No.</u>	<u>Part No.</u>	<u>Description</u>
1	WFR130846	Drive Motor W/Pulley
2	WFR398739	Motor Holder
3	WFR398742	Motor Holder Bracket
4	WFR124224	Motor Tension Spring
5	WFR398754	Motor Bracket Spring
6	WFR130856	Drive Belt
7	WFR150709	M4-0.7 X 11 BHW 6L LR LSER STL
8	WFR150823	M12-1.75 X 180 MHX UNTHD STL
9	WFR150779	13 ID 37 OD 3.0THK FLW-STL
10	WFR150762	M12-1.75 X 12 HX INSR NUT STL

# DRUM AND TUB PARTS





# DRUM AND TUB PARTS

<u>Illus.</u>	<u>No</u>	<u>Part No.</u>	<u>Description</u>
	1	WFR837433	Wash Basket Complete
	2	WFR837444	Outer Tub Complete
	3	WFR837460	Bearing Housing Complete
	4	WFR124377	Bearing Housing Support
	5	WFR837452	Tub Front Cover
	6	WFR130775	Tub Front Clamp
	7	WFR130780	Tub Front Seal
	8	WFR130589	Heater 20-30 (440/480)
	8A	WFR130588	Heater 20-30 (380/400/415)
	8B	WFR130587	Heater 20-30 (208/220/230/240)
	9	WFR130573	Cable-heater Jumper- Not Illustrated
	10	WFR130635	Heater Element Plug
	11	WFR130834	Steam Hole Plug
	12	WFR130986	Temp Sensor Grommet
	13	WFR150749	Threaded Rod M8x135mm
	14	WFR150705	8.4id 16od 1.6thk Mm Flw Stl
	15	WFR150750	M8-1.25 X 6.5 Hx Nut Stl
	16	WFR130877	Speed Sensor
	17	WFR398552	Speed Sensor Bracket
	18	WFR150781	Screw-m4x8
	19	WFR130864	Drive Pulley
	20	WFR837783	Proximimty Plate
	21	WFR130518	Key
	22	WFR379024	Flat Wshr Stl 10.5 X 30 X 2.5
	23	WFR150811	M12-1.75 X 35 Hx Stl
	24	WFR150815	13id 23.6od 2.5thk Flw SS
	25	WFR150812	M10-1.5 X 35 Hx Ss
	26	WFR150813	10.5id 28od 2.15thk Flw SS
	27	WFR379126	Flat Wshr Stl 10.5x30x2.5
	28	WFR150809	Bolt M12-1.75x50 Hx Stl
	29	WFR150762	M12-1.75 X 12 Hx Insr Nut Stl
	30	WFR398819	Tie Wrap Bracket
	31	WFR150814	Bolt M16x30
	32	WFR379125	Bearing Housing Support Plate
	33	WFR123662	Temperature Sensor