



## Section 8: Parts Data

WN0650XB-12EO	208-240 Volts	60 Hz	Single Phase or Three Phase
WN0750XB-12EO	208-240 Volts	60 Hz	Single Phase or Three Phase
WN0950XB-12EO	208-240 Volts	60 Hz	Single Phase or Three Phase
WN1450XB-12EO	208-240 Volts	60 Hz	Single Phase or Three Phase

## C-Series OPL Accessories

WN0650XA-12EO	208-240 Volts	60 Hz	Single Phase or Three Phase
WN0750XA-12EO	208-240 Volts	60 Hz	Single Phase or Three Phase
WN0950XA-12EO	208-240 Volts	60 Hz	Single Phase or Three Phase
WN1450XA-12EO	208-240 Volts	60 Hz	Single Phase or Three Phase

Key	Description	T-650	T-750	T-950	T-1450	QTY
*	Hose, Water Supply 5/8" I.D. x 48"	9990-027-013	9990-027-013			2
*	Hose, Water Supply 5/8" I.D. x 48"			9990-027-013	9990-027-013	4
*	Rubber Washer, Inlet Hose (furnished)	8641-242-000	8641-242-000			2
*	Strainer, Inlet Hose (furnished)	9565-003-001	9565-003-001			2
*	Rubber Washer, Inlet Hose (furnished)			8641-242-000	8641-242-000	4
*	Strainer, Inlet Hose (furnished)			9565-003-001	9565-003-001	4
*	Bevel Washer for 3/4" bolt used in installations using angle iron bases	8641-586-003	8641-586-003	8641-586-003	8641-586-003	4
*	Sealing compound RTV-45	8538-151-002	8538-151-002	8538-151-002	8538-151-002	1
*	Flow Restrictors (in dispenser )	9475-002-002	9475-002-002		9475-002-003	2
*	Clamps to hold tub front to outer tub when installing tub front	Vise Grip #11R	Vise Grip #11R	Vise Grip #11R	Vise Grip #11R	1
*	OPL Bearing & Seal Kit	9732-219-007	9732-219-007	9732-219-007	9732-219-009	1
	Key Service Lock (6324)	6292-006-007	6292-006-007	6292-006-007	6292-006-007	1
	USB Thumb Drive W/Operator Booklets all sizes	9150-045-002	9150-045-002	9150-045-002	9150-045-002	

## Wiring Harness Part # by Model

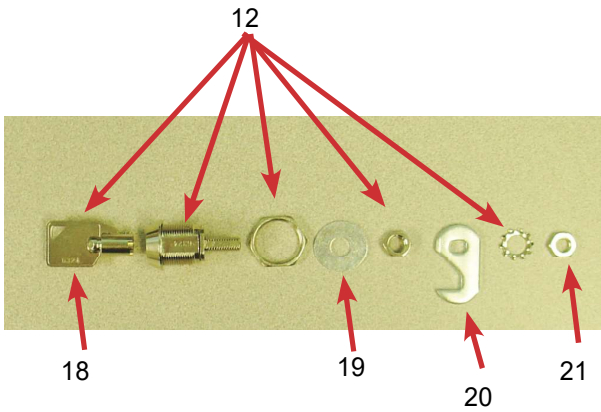
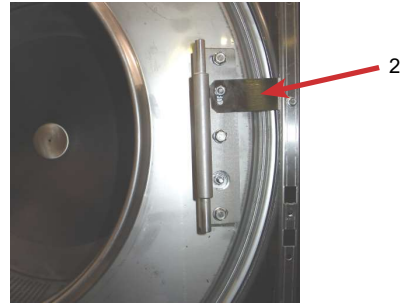
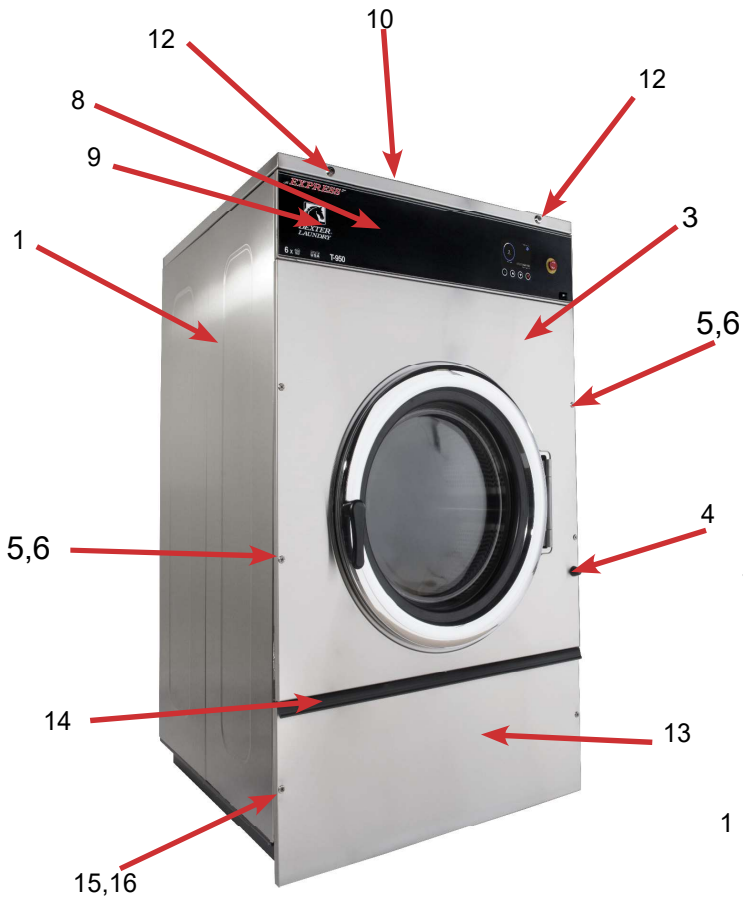
Key	Description	T-650	T-750	T-950	T-1450	
*	Cableassy-usb,snopin	9806-024-001	9806-024-001	9806-024-001	9806-024-001	1
	Cableassy-data,rs485,40"	9806-023-004	9806-023-004	9806-023-005	9806-023-005	1
*	Wiringharness-doorlock	9627-936-003	9627-936-001	9627-936-001	9627-936-004	1
*	Wiringharn-pwrtermblk/VFD/ps	9627-932-001	9627-932-001	9627-932-001	9627-932-001	1
*	Wiringharnes-15pin,injection	9627-935-001	9627-935-001	9627-935-001	9627-935-001	1
*	Wiringharness-15pin,non-inj	9627-934-001	9627-934-001	9627-934-001	9627-934-001	1
*	Wireasy-blu,17"	8220-063-047				1
	Wireasy-blu,23"		8220-063-049	8220-063-049		
*	Wireasy-blu,29"				8220-063-051	1
*	Wireasy-blu/wht,17"	8220-063-048				1
	Wireasy-blu/wht,23"		8220-063-050	8220-063-050		
	Wireasy-blu/wht,29"				8220-063-052	
*	Wireasy-jumper,blk	8220-117-002	8220-117-002	8220-117-002	8220-117-002	2
	Wireasy-brn,#21,3"	8220-057-035	8220-057-035	8220-057-035	8220-057-035	1
	Wireasy-wht,3"	8220-057-036	8220-057-036	8220-057-036	8220-057-036	1
*	Wireasy-jumper,wht/red	8220-123-002	8220-123-002			1
*	Wireasy-jumper,wht/red			8220-119-003	8220-119-003	1
*	Wireasy-red/pnk,8"			8220-108-012	8220-108-012	1
*	Wireasy-red/gry,8"			8220-108-013	8220-108-013	1
*	Wiringharn-ctrl,graph,can,wshr	9627-922-002	9627-922-002	9627-922-002	9627-922-002	1
*	Wiringharnes-main,T-650-1450	9627-933-001	9627-933-001	9627-933-001	9627-933-001	1
*	Wiringharness-chemical,v2.0wshr	9627-927-001	9627-927-001	9627-927-001	9627-927-001	1
*	Wiringharness-drsw/VFD,stp	9627-928-001	9627-928-001	9627-928-001	9627-928-003	1
*	Wiringharness-cntrl/relay,v2.0	9627-921-001	9627-921-001	9627-921-001	9627-921-001	2
*	Wiringharness-ps,t-650-1450	9627-926-001	9627-926-001	9627-926-001	9627-926-001	1
*	Wiringharness-pwrsup,v2.0wshr	9627-923-001	9627-923-001	9627-923-001	9627-923-001	1
*	Wiringharness-thermist,v2.0wsh	9627-930-001	9627-930-001	9627-930-001	9627-930-001	1
*	Wireasy,2.0	8220-158-017	8220-158-019	8220-158-025	8220-158-029	1
*	Wireasy-jumper,v2.0,relaypcb	8220-159-005	8220-159-005	8220-159-005	8220-159-005	1
*	Wireasy-jumper,v2.0,relaypcb	8220-159-006	8220-159-006	8220-159-006	8220-159-006	1
*	Wireasy-org,71/2"	8220-062-052	8220-062-052	8220-062-052	8220-062-052	1
*	Wireasy-wht/org,9"	8220-062-053	8220-062-053	8220-062-053	8220-062-053	1
*	Wireasy-red,71/2"	8220-062-059	8220-062-059	8220-062-059	8220-062-059	2
*	Wireasy-org,71/2"	8220-062-052	8220-062-052	8220-062-052	8220-062-052	2

# Cabinet and Front Panel Group Part # by Model

## Large Door

Key	Description	T-650	T-750	T-950	T-1450	
1	Panel, Side Right - stainless	9989-644-001	9989-645-001	9989-646-001	9989-648-001	2
1	Panel, Side Left - stainless	9989-644-002	9989-645-002	9989-646-002	9989-648-002	4
*	Bolt-1/4-20x1/2 (side panel Front to Rear)	9545-018-013		9545-018-013	9545-018-013	8
	Nut 1/4-20UNC (side panel)	8640-414-006		8640-414-006	8640-414-006	8
	Strap Assy (Side to base)		9966-013-001			2
	Strap Assy (Side to base)	9966-012-001		9966-012-001	9966-012-001	4
*	Shim (side panel)	9552-039-001	9552-041-001	9552-039-001	9552-044-001	2
*	Nut, Hex 1/4-20 UNC	8640-414-006	8640-414-006	8640-414-006	8640-414-006	8
2	Bracket, Side Panel under front panel	9046-094-001	9046-085-001	9046-085-001	9046-086-001	1
*	Screw #10Bx1/2 side panel brkt	9545-008-026	9545-008-026	9545-008-026	9545-008-026	1
*	Nut #10-32 UNF side panel brkt	8640-413-002	8640-414-006	8640-414-006		1
3	Panel Assy, Front	9989-615-003	9989-616-003	9989-617-003	9989-619-003	1
4	Bumper Loading Door	9051-055-001	9051-055-001	9051-055-001	9051-055-001	1
*	Nut, 1/4 x 20 for bumper	8640-414-003	8640-414-003	8640-414-003	8640-414-003	1
*	Screw, #10B x 1/2	9545-008-023	9545-008-023	9545-008-023	9545-008-023	2
*	Nut, Spring- To Control Panel 10/32	8640-399-008	8640-399-008	8640-399-008	8640-399-008	2
5	Screw, Flat Head- Front to Sides	9545-008-014	9545-008-014			2
5	Screw, Flat Head- Front to Sides			9545-008-014	9545-008-014	4
6	Washer, Finish	8641-585-001	8641-585-001			2
6	Washer, Finish			8641-585-001	8641-585-001	4
*	Nut, Spring-To Front Panel	8640-399-008	8640-399-008	8640-399-008	8640-399-008	2
*	Label, Door Opening (Black)	8502-757-001	8502-757-001	8502-757-001	8502-757-001	1
8	Panel, Control (Mounts Nameplate)	9989-599-001	9989-600-001	9989-600-001	9989-601-001	1
*	Screw, Control Panel to Sides	9545-008-026	9545-008-026	9545-008-026	9545-008-026	4
9	Nameplate Decal, Control Black	9412-243-001	9412-244-001	9412-245-001	9412-246-001	1
10	Panel Top	9989-563-007	9454-743-001	9454-736-001		1
11A	Panel Top Front				9454-850-001	1
11B	Panel Top Rear				9454-851-001	1
12	Lock, Top (w/Key)	8650-012-003				1
12	Lock, Top (w/Key)		8650-012-003	8650-012-003	8650-012-003	2
*	Lock Spacer	9538-189-001	9538-189-001	9538-189-001	9538-189-001	1
13	Door, Lower Service, Includes Handle	9960-286-002	9960-286-004	9960-286-004	9960-286-005	1
14	Handle (bumper guard)	9244-086-002	9244-086-003	9244-086-003	9244-086-004	1
*	Rivet Blind 3/16" Alum	9491-009-003	9491-009-003	9491-009-003	9491-009-003	4
*	Screw		9545-008-023	9545-008-023	9545-008-023	1

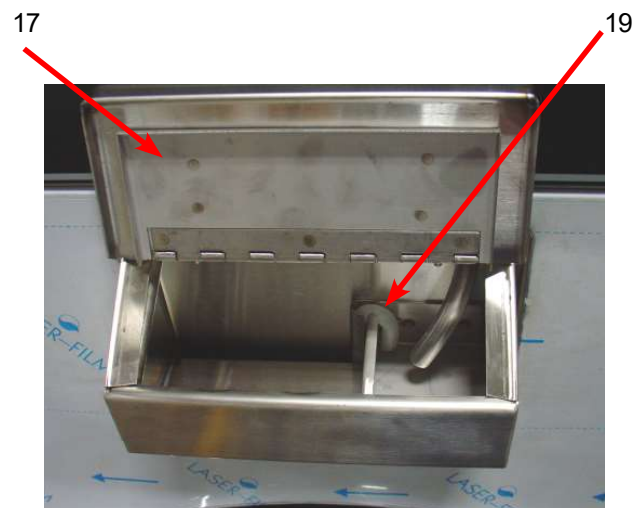
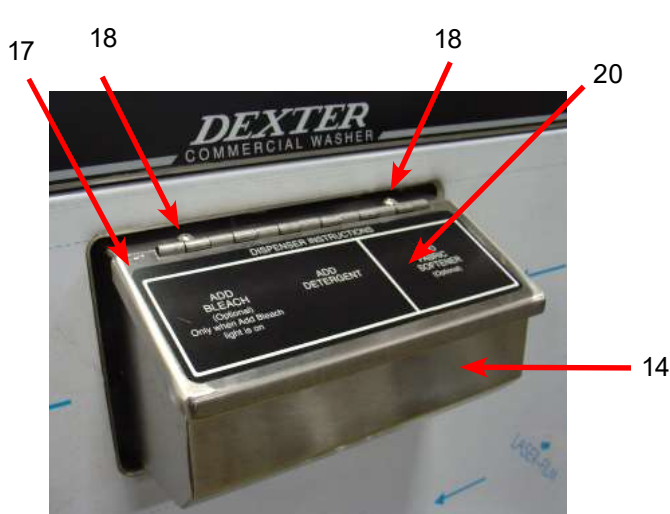
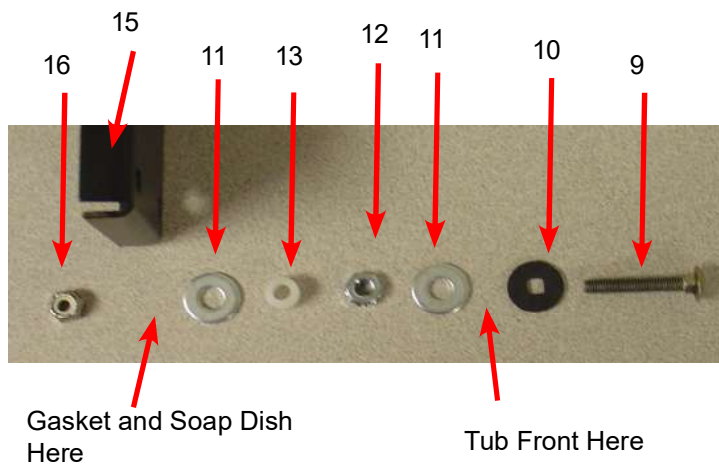
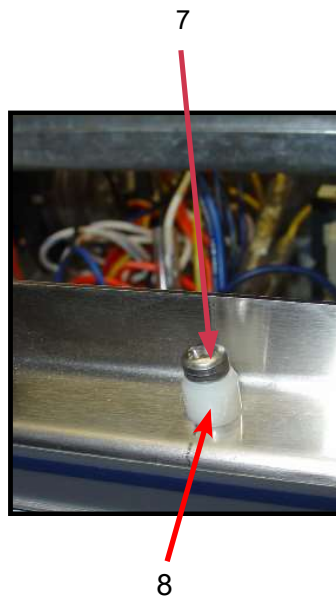
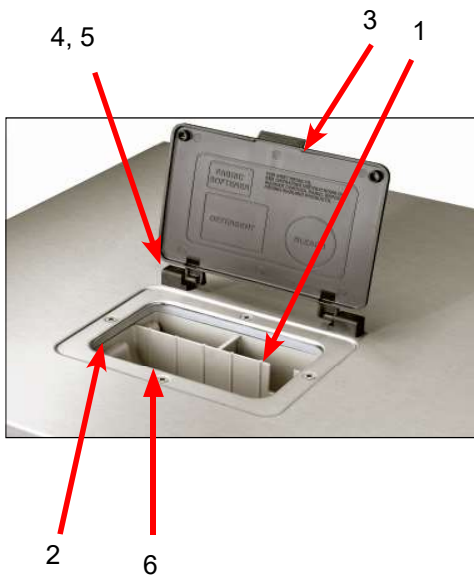




Key	Description	T-650	T-750	T-950	T-1450	
15	Screw Mtg., Flat Head 10Bx1 3/4	9545-008-014	9545-008-014	9545-008-014	9545-008-014	2
16	Washer, Finish	8641-585-001	8641-585-001	8641-585-001	8641-585-001	2
*	Nut, Spring	8640-399-008	8640-399-008	8640-399-008	8640-399-008	2
18	Key, Top- # 6324	6292-006-007	6292-006-007	6292-006-007	6292-006-007	2
19	Washer Flat 5/16	8641-581-008	8641-581-008	8641-581-008	8641-581-008	2
20	Cam, Lock-Top	9095-049-001	9095-049-001	9095-049-001	9095-049-001	2
21	Nut, 7mm x 1.0 Hex	8640-426-001	8640-426-001	8640-426-001	8640-426-001	2

# Cabinet and Front Panel Group Part # by Model

## Front Soap Dish



# Top Mount Detergent Dispenser

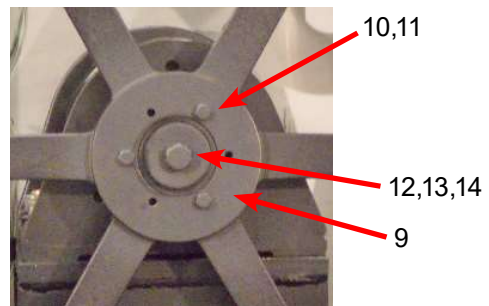
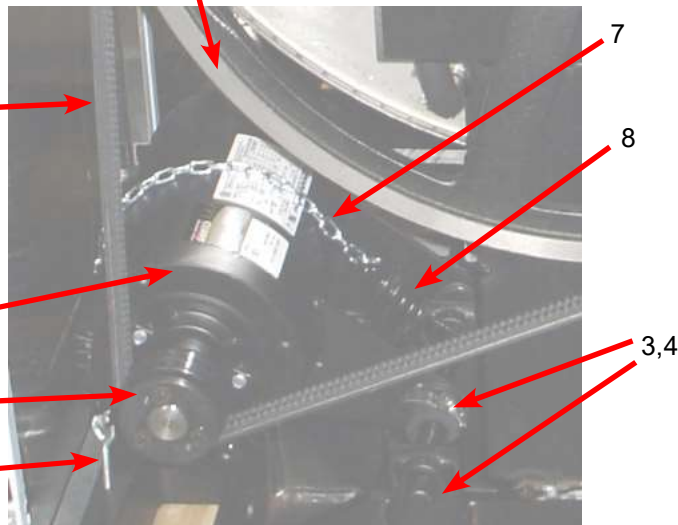
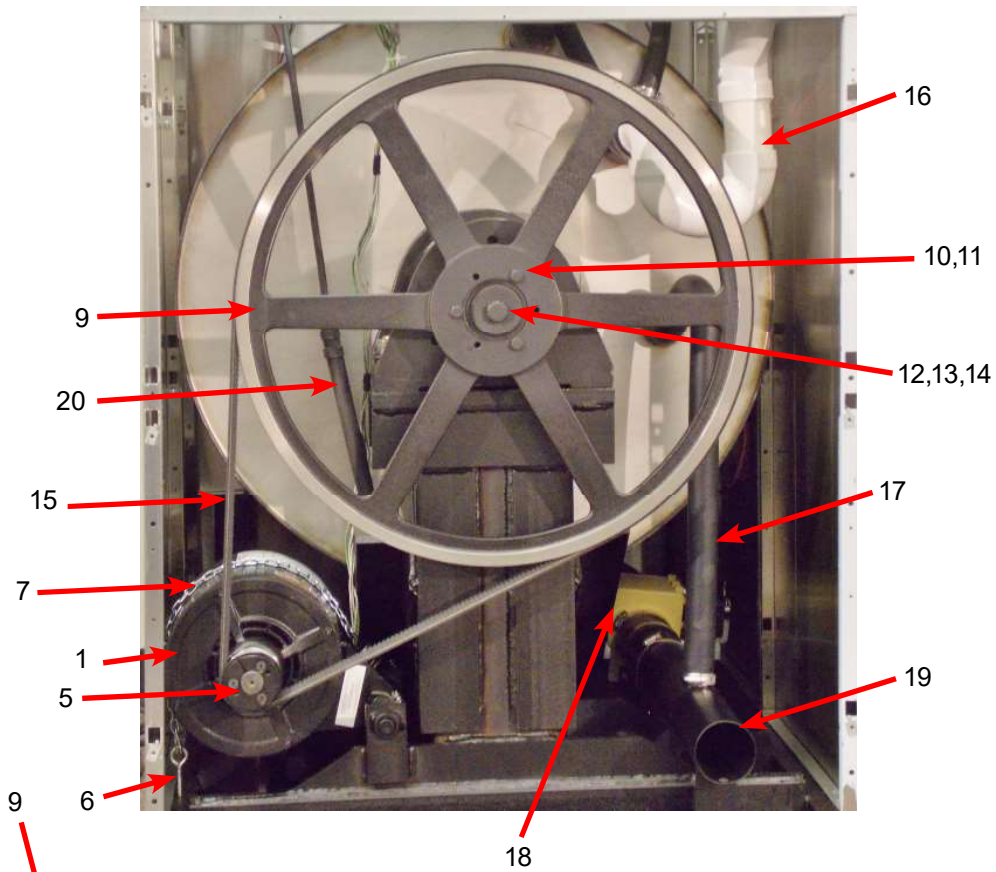
Key	Description	T-650	T-750	T-950	T-1450	QTY
1	Dispenser Soap	9122-005-004	9122-005-004	9122-005-004		1
2	Gasket Dispenser	9206-416-001	9206-416-001	9206-416-001		1
*	Hose, Dispenser to tub	9242-450-003	9242-450-001	9242-450-001		1
*	Clamp	8654-117-008	8654-117-008	8654-117-008		2
*	Nut, Spring ss	8640-399-007	8640-399-007	8640-399-007		4
*	Flow resistors	9475-002-002	9475-002-002	9475-002-002		2
*	Flow resistors Optional (Smaller)	9475-002-003	9475-002-003	9475-002-003		2
3	Door, Dispenser	9108-095-005	9108-095-005	9108-095-005		1
4	Pin, Plain	9451-191-001	9451-191-001	9451-191-001		2
*	Post, Door Mounting	9467-025-001	9467-025-001	9467-025-001		2
6	Screw- 8B x 1/2	9545-045-002	9545-045-002	9545-045-002		4
	Screw, SS Dispenser, 10B x 1	9545-008-012	9545-008-012	9545-008-012		4
*	Washer Flat 5/16	8641-581-008	8641-581-008	8641-581-008	8641-581-008	1
8	Plastic Sleeve, Locator	9355-001-001	9355-001-001	9355-001-001	9355-001-001	2
*	Catch, Top Panel	9086-017-001				2
	Lock, Top (w/Key)	8650-012-003				1
*	Lock, Top (w/Key)		8650-012-003	8650-012-003	8650-012-003	2
	Channel-support,dispenser	9081-108-001	9081-108-002	9081-108-001		1
	Screw-hxwshrhnduct,#10bx1/2	9545-008-026	9545-008-026	9545-008-026		1
	Screw-hxwshdsl,10bx1/4	9545-008-001	9545-008-001	9545-008-001		2

# Front Mount Detergent Dispenser

Key	Description	T-650	T-750	T-950	T-1450	QTY
9	Bolt,#10-32 x 1 1/4"SS				9545-012-026	6
10	Special Washer, Rubber				8641-222-000	6
*	Tub Front				9974-012-001	1
11	Washer-Flat, 1/4				8641-581-018	12
12	Nut, #10-32UNF				8640-413-002	6
13	Spacer Plastic #10x1/2					6
14	Soap Dispenser (no lid)				9807-087-001	1
*	Det. Dispenser Mtg Gasket to Tub frnt				9206-425-001	1
15	Bracket Soap box mounting				9029-122-002	1
16	Nut Hex Elasticstop #10-32 SS mtg dispenser				8640-413-006	6
17	Lid Assembly dispenser				9987-104-001	1
18	Lid screws #10-32x1/2 SS				9545-012-017	2
19	Softener siphon tube (plastic)				9574-252-002	1
*	Flow resistors				9475-002-003	AR
20	Washer Dispenser Label Black				8502-745-001	1

## Rear View Access Part # by Model

Key	Description	T-650	T-750	T-950	T-1450	
1	Drive Motor, 3 Phase (Inverter duty)	9376-319-001	9376-329-001	9376-329-001	9376-328-001	1
2	Rod, Motor Mtg	9497-222-004	9497-222-004	9497-222-004	9497-222-004	1
*	Collar, Shaft (w/set screws)				9076-052-002	2
3	New motor bushing support	9053-082-001	9053-082-001	9053-082-001	9053-082-001	2
4	Clamp for motor bushing	8654-117-019	8654-117-019	8654-117-019	8654-117-019	2
5	Pulley, Motor	9453-170-003	9453-179-001	9453-175-002	9453-175-002	1
*	Set Screw 5/16 18-7/8	9545-028-015				
*	Split TaperBushing (motor pulley)		9053-077-001	9053-077-001	9053-077-001	2
*	Screw taper bushing 1/4-20x1		9545-018-024	9545-018-024	9545-018-024	3
6	Bolt, Eye (1/4"-20x1/2")	9545-055-001	9545-055-001	9545-055-001	9545-055-001	1
*	Nut, 1/4 Elastic Stop	8640-414-003	8640-414-003	8640-414-003	8640-414-003	1
*	Link (open end)		9341-046-001	9341-046-001		1
7	Chain (Spring Tension)		9099-012-003	9099-012-003		1
8	Spring, Belt Tension	9534-151-000	9534-151-000	9534-151-000	9534-151-000	1
*	Bracket Belt Tension	9029-206-001			9029-206-002	1
*	Lock Washer, Exttooth, 5/16				8641-582-009	
9	Pulley, Driven	9453-173-002	9453-173-002	9453-176-005	9453-176-005	1
*	Tolerance Ring	9487-234-004	9487-234-004			1
*	Screw, 5/8"-11 x 2"	9545-060-004	9545-060-004			1
*	Washer-Flat, 5/8"	8641-582-032	8641-582-032			1
*	Lockwasher, 5/8"	8641-581-018	8641-581-018			1
10	Bolt, 3/8"-16 x 2"			9545-029-011	9545-029-011	3
11	Washer, 3/8"			8641-582-003	8641-582-003	3
*	Bushing Taperlock (Driven)			9053-078-002	9053-078-002	1
12	Washer-Flat .675x2-1/2x1/4			8641-581-043		1
13	Lockwasher-Exttooth, 5/8	8641-582-018		8641-582-018		1
14	Bolt, 5/8-11x1 1/2			9545-060-001		1
12	Washer-Flat, .781x2-1/2x1/4				8641-581-044	1
13	Lockwasher-Exttooth, 3/4				8641-582-020	1
14	Bolt, 3/4-10-1 1/2				9545-057-004	1
15	Drive Belt			9040-079-002	9040-079-006	1
15	Drive Belt	9040-076-005	9040-076-008			2
*	Panel Assy., Back	9989-567-001	9989-455-001	9989-526-001		1
*	Panel Assy., Back, Lower				9454-872-001	1
*	Panel Assy., Back, Upper				9454-873-001	1
*	Screw Panel Mtg.#10Bx1/2"	9545-008-026	9545-008-026	9545-008-026	9545-008-026	AR
*	Nut, Spring	8640-399-008	8640-399-008	8640-399-008	8640-399-008	AR
*	Screw, To Base-1/4" x 3/4"	9545-030-002	9545-030-002	9545-030-002	9545-030-002	AR
16	Injection- tube assy	9883-005-001	9883-005-001	9883-012-001	9883-011-001	1
*	Hose, Injection Tube to Tub	9242-461-001	9242-461-001	9242-461-001	9242-461-001	1
*	Clamp, Injection Hose	8654-117-014	8654-117-014	8654-117-014	8654-117-014	2
*	Cap-injectorassembly	0935-127-001	0935-127-001	0935-127-001	0935-127-001	1
*	Hose-injectionasy,2"diameter	9242-462-001				1
*	Clamp-hose	8654-117-008				1
*	Clamp-hose,ssworm	8654-117-009				1

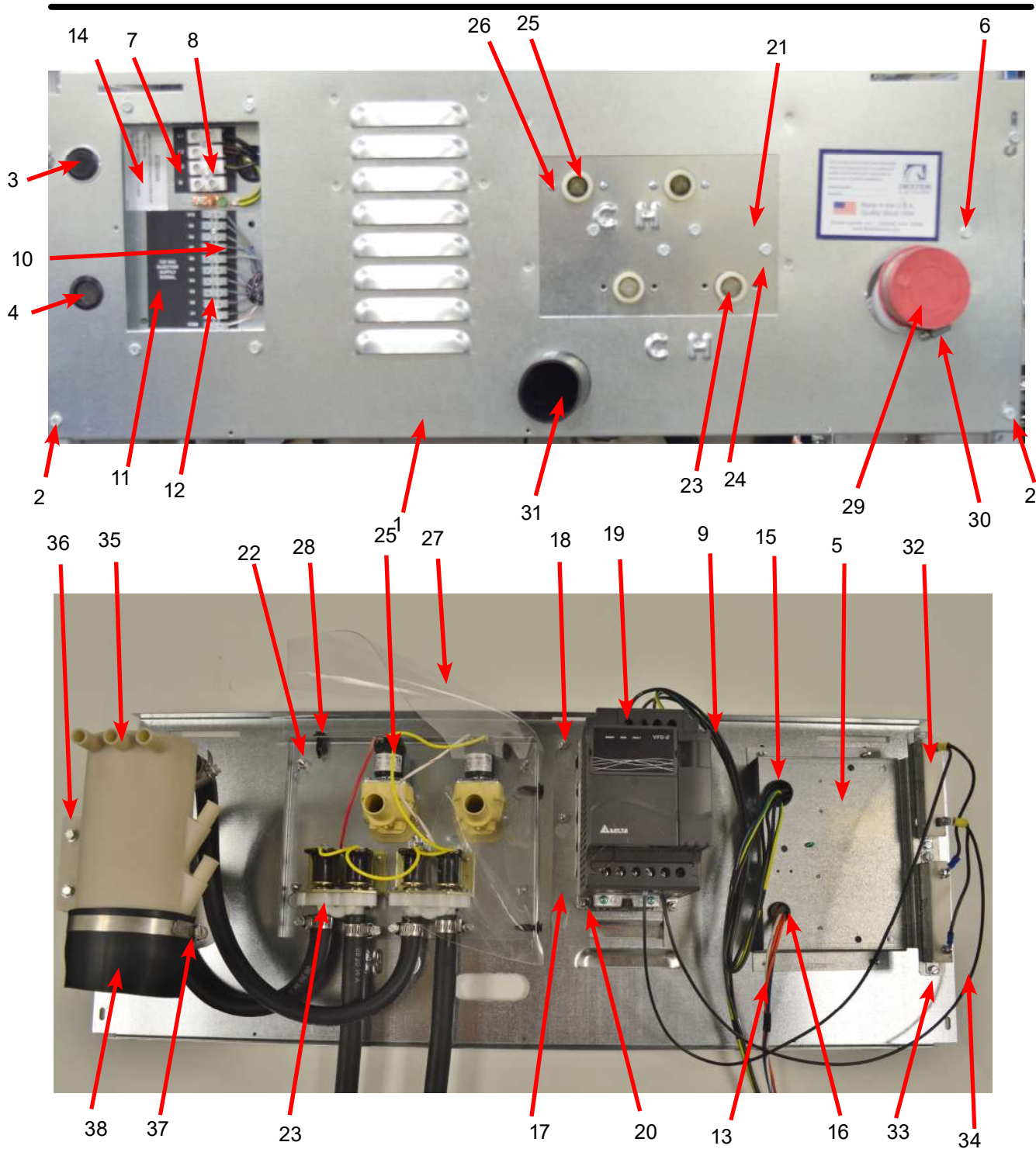


Key	Description	T-650	T-750	T-950	T-1450	
17	Hose-Overflow	9242-449-002	9242-449-003	9242-449-003	9242-449-005	1
*	Clamp Hose Over Flow	8654-117-018	8654-117-018	8654-117-018	8654-117-018	2
18	Drain Valve	9379-202-001	9379-202-001	9379-202-001	9379-202-001	1
*	Hose, Drain Valve to Tube	9242-464-001	9242-456-001	9242-459-001	9242-459-001	1
*	Clamp	8654-117-014	8654-117-014	8654-117-014	8654-117-014	2
	Hose-drainvalve,outlet	9242-457-001	9242-457-001	9242-457-001	9242-457-002	1
19	Drain Tube	9915-124-002	9915-124-002	9915-120-004	9915-129-002	1
20	Hose-Pressure Switch	9242-175-002	9242-175-007	9242-175-007	9242-175-004	1
*	Clamp Pressure switch Tube	8654-117-015	8654-117-015	8654-117-015	8654-117-015	1
*	Anchor-wiretie,adhesive	9004-007-001	9004-007-001	9004-007-001	9004-007-001	1



## Rear Channel Parts Group

Key	Description	T-650	T-750	T-950	T-1450	
1	Channel Assembly Rear	9947-032-001	9947-027-001	9947-028-001	9947-029-001	1
2	Screw #10Bx1/2	9545-008-026	9545-008-026	9545-008-026	9545-008-026	4
*	Nut, Spring				8640-399-008	4
3	Plug, 7/8"	9456-041-006		9456-041-006	9456-041-006	2
4	Bushing, 7/8"	9053-067-002		9053-067-002	9053-067-002	1
5	Bracket-Terminal Block Assy	9029-265-001	9029-265-001	9029-265-001	9029-265-001	1
6	Screw, 10Bx1/2	9545-008-026	9545-008-026	9545-008-026	9545-008-026	4
7	Strip-Terminal marker, Power	9558-025-001	9558-025-001	9558-025-001	9558-025-001	1
8	Terminal Block-Power	9897-033-002	9897-033-002	9897-033-002	9897-033-002	1
*	Screw-6ABx3/4	9545-031-010	9545-031-010	9545-031-010	9545-031-010	2
9	Harness-Power Terminal Block	9627-932-001	9627-932-001	9627-932-001	9627-932-001	1
10	Terminal Lug, Solderless	8652-134-001	8652-134-001	8652-134-001	8652-134-001	1
*	Lockwasher-Exttooth, #10	8641-582-006	8641-582-006	8641-582-006	8641-582-006	1
*	Screw-10-32ttX1x1/2Grn	9545-008-027	9545-008-027	9545-008-027	9545-008-027	1
11	Strip-Terminal Marking, Injector	9558-036-001	9558-036-001	9558-036-001	9558-036-001	1
12	Terminal Block-Injector	9897-032-003	9897-032-002	9897-032-003	9897-032-003	1
*	Screw-4Bx5/8ss	9545-053-002	9545-053-002	9545-053-002	9545-053-002	2
13	Harness-Injection	9627-935-001	9627-935-001	9627-935-001	9627-935-001	1
14	Label-Warning	8502-639-001	8502-639-001	8502-639-001	8502-639-001	1
15	Bushing-Insulated, 3/4"	9053-067-001				1
16	Bushing-Insulated, 1"	9053-067-004	9053-067-004	9053-067-004	9053-067-004	1
*	Cover, Terminal Block	9074-267-001	9074-267-001	9074-267-001	9074-267-001	1
*	Screw #10Bx1/2	9545-008-026	9545-008-026	9545-008-026	9545-008-026	1
17	Plate-Drive mounting	9982-383-001	9982-383-001	9982-383-001	9982-384-001	1
18	Nut, #10-32UNF, 2B	8460-413-002	8460-413-002	8460-413-002	8460-413-002	4
19	VFD Delta "E" drive 208-240 volt	9375-030-018	9375-028-027	9375-028-026	9375-029-010	1
*	Key Pad-Display Delta "E" Drive (P/S) only	9150-044-001	9150-044-001	9150-044-001	9150-044-001	
20	Nut, #10-32UNF, 2B	8460-413-002	8460-413-002	8460-413-002	8460-413-002	4
*	Cable, Data	9806-023-004	9806-023-004	9806-023-005	9806-023-005	1
*	Clamp, Cable	8654-125-005	8654-125-005	8654-125-005	8654-125-005	1
21	Plate-Water Valves, Mounting	9452-813-001	9452-813-001	9452-814-001	9452-814-001	1
22	Nut, #10-32UNF, 2B	8460-413-002	8460-413-002	8460-413-002	8460-413-002	4
23	Valve-Water, Duel Coil	9379-183-012	9379-183-012	9379-183-012	9379-183-012	2
24	Screw #10Bx1/2	9545-008-026	9545-008-026	9545-008-026	9545-008-026	4
25	Water-Valve, Single Coil			9379-194-001	9379-194-001	2
26	Screw-Phillips, 4mx0.7x8mm			9545-064-001	9545-064-001	4
27	Shield, Water Valves	9550-194-001	9550-194-001	9550-195-001	9550-195-001	1
28	Clip-Push	9083-121-001	9083-121-001			3
28	Clip-Push			9083-121-001	9083-121-001	4
29	Cap-Injector Assy	0935-127-001	0935-127-001	0935-127-001	0935-127-001	1
30	Clamp	8654-117-014	8654-117-014	8654-117-014	8654-117-014	1
31	Hose-Suds Overflow	9242-463-004	9242-463-004	9242-463-004	9242-463-006	1
32	Resistors (160 Ohm)		9483-004-003	9483-004-003	9483-004-003	2
*	Resistors (200 Ohm)	9483-004-002				2
33	Screws #10-32x1/2" (Mounting)	9545-008-026	9545-008-026	9545-008-026	9545-008-026	4
34	Jumper Wires	8220-117-002	8220-117-002	8220-117-002	8220-117-002	2

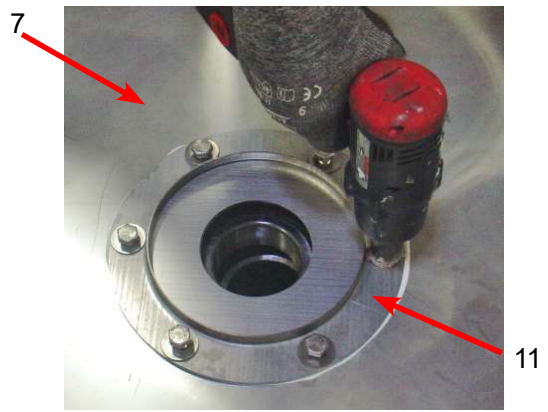
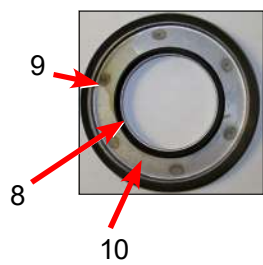
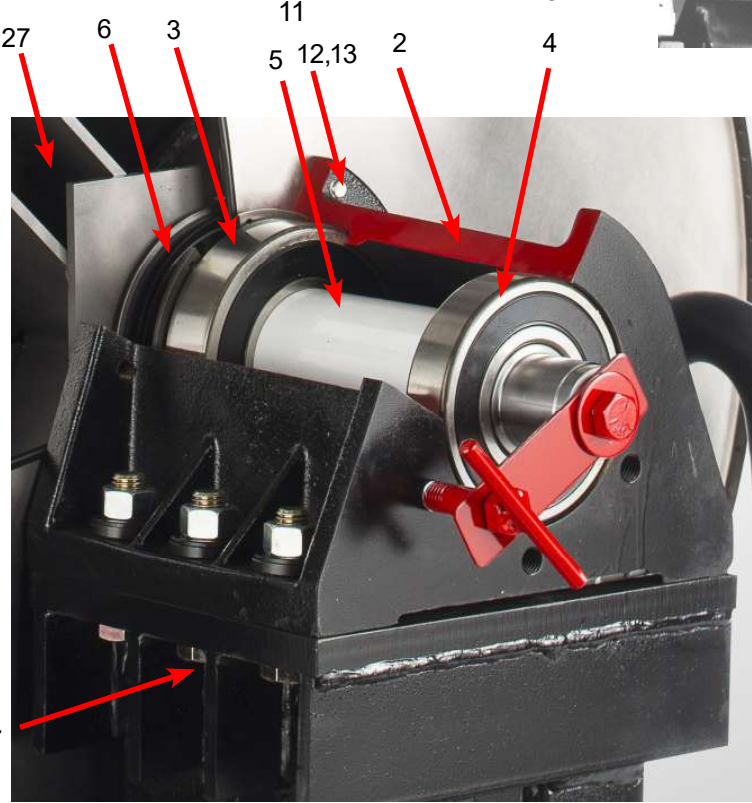
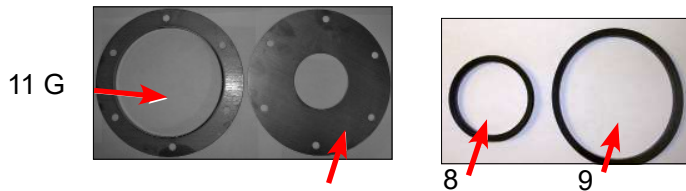
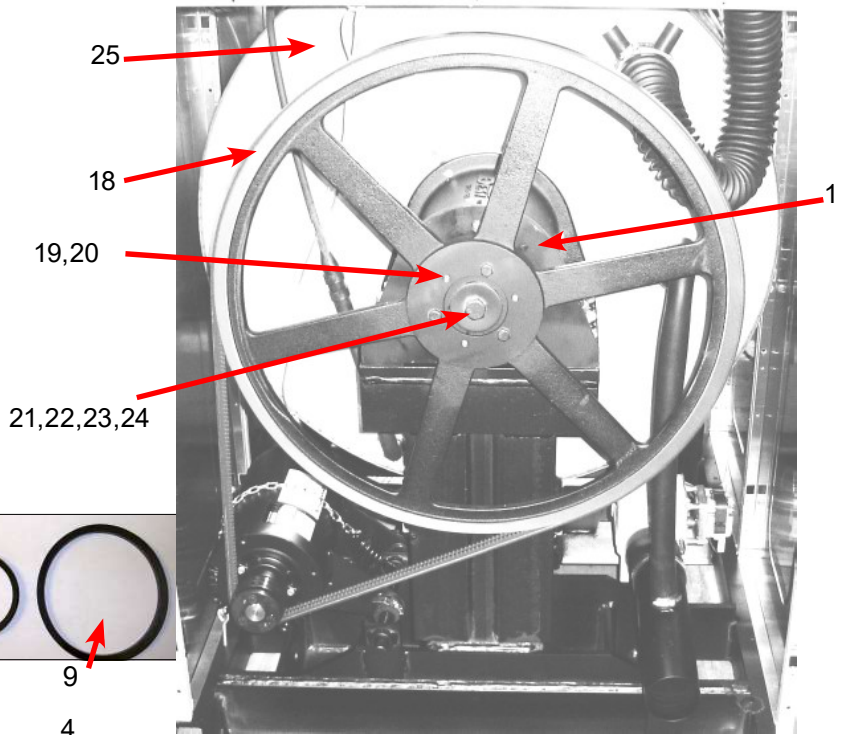
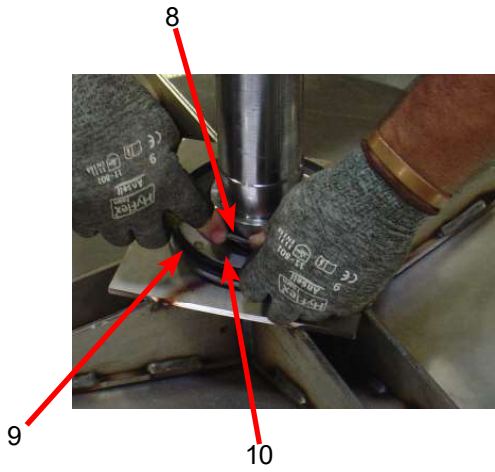


Key	Description	T-650	T-750	T-950	T-1450	
35	Vacuum Breaker	9610-001-001	9610-001-001	9610-001-001	9610-001-001	1
*	Bracket-Vacuum Breaker	9029-077-001	9029-077-001	9029-077-001	9029-266-001	1
*	Vacuum Breaker Cap	0935-135-002	0935-135-002	0935-135-002	0935-135-002	*
36	Screw, 10Bx1/2	9545-008-026	9545-008-026	9545-008-026	9545-008-026	4
37	Clamp, Vacuum Breaker End	8654-117-014	8654-117-014	8654-117-014	8654-117-014	1
38	Hose, Vacuum Breaker to Tub Injection Tube	9242-461-001	9242-461-001	9242-461-001	9242-461-001	1



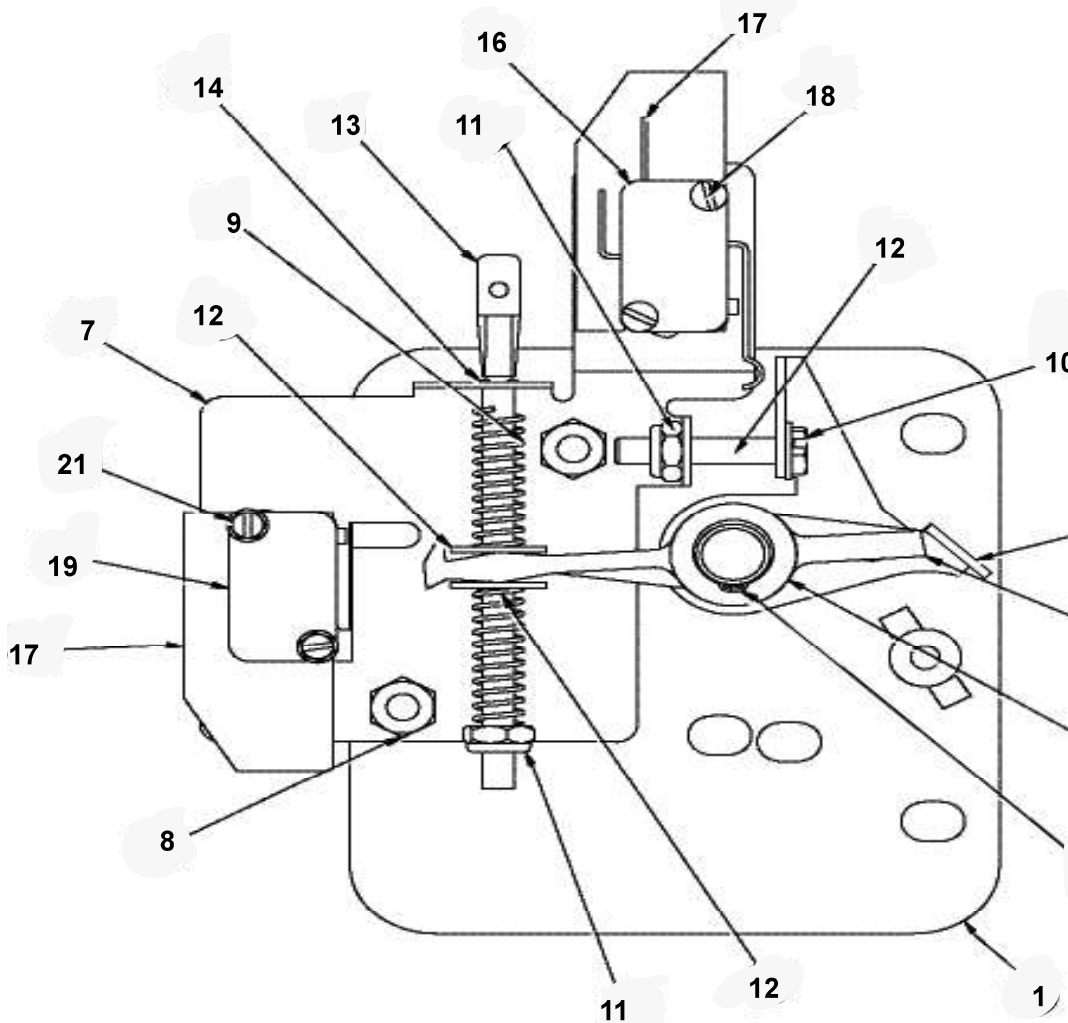
# Cylinder, Seals & Bearings Part # by Model

Key	Description	T-650	T-750	T-950	T-1450	
1	Housing, Bearing- Assembly (items #2-#6)	9803-187-001	9803-187-001	9803-187-001	9803-209-001	1
2	Housing, Bearing	9241-181-004	9241-181-004	9241-181-004	9241-195-003	1
3	Bearing, Front (LARGE)	9036-159-005	9036-159-005	9036-159-005	9036-162-002	1
4	Bearing, Rear (SMALL)	9036-159-006	9036-159-006	9036-159-006	9036-162-001	1
5	Spacer, Bearing	9538-170-001	9538-170-001	9538-170-001	9538-185-001	1
6	Ring, Bearing Retainer	9487-238-004	9487-238-004	9487-238-004	9487-238-004	1
7	Tub Assembly	9930-169-001	9930-148-002	9930-158-001	9930-155-001	1
8	Seal, Primary V85A	9532-140-007	9532-140-007	9532-140-007		1
8	Seal, Primary V95A				9532-140-012	1
9	Seal, Secondary V140A	9532-140-008	9532-140-008	9532-140-008	9532-140-008	1
10	Ring, Seal Mounting	9950-052-001	9950-052-001	9950-052-001	9950-062-001	1
11	Tub Back Ring Seal	9487-266-001	9487-266-001	9487-266-001	9487-276-001	1
	Mating Ring Seal	9487-261-004	9487-261-004	9487-261-004	9487-261-005	1
12	Bolt, Tub End of Bearing Housing (7/16-14x1), Bolt from inside Tub	9545-059-004	9545-059-004	9545-059-004	9545-059-004	6
13	Washer, Flat	8641-581-034	8641-581-034	8641-581-034	8641-581-034	6
14	Screw-Hex Cap, 3/4"-10 x 3" (Bearing Housing to Frame)	9545-057-002	9545-057-002	9545-057-002		6
14	Screw-Hex Cap, 7/8"-10 x 3" (Bearing Housing to Frame)				9545-066-001	6
15	Washers Spherical 3/4 (Male half) (Bearing Housing to Frame)	8641-588-001	8641-588-001	8641-588-001		6
15	Washers Spherical 7/8 (Male half) (Bearing Housing to Frame)				8641-588-003	6
16	Washers Spherical 3/4 (Female half) (Bearing Housing to Frame)	8641-588-002	8641-588-002	8641-588-002		6
16	Washers Spherical 7/8 (Female half) (Bearing Housing to Frame)				8641-588-004	6
17	Nut 3/4"-10 (Bearing Housing to Frame)	8640-418-003	8640-418-003	8640-418-003		6
17	Nut 7/8"-9 (Bearing Housing to Frame)				8640-437-001	6
18	Pulley, Driven	9453-173-002	9453-173-002	9453-176-005	9453-176-005	1
*	Tolerance Ring	9487-234-004	9487-234-004			1
*	Screw, 5/8"-11 x 2"	9545-060-004	9545-060-004			1
*	Washer-Flat, 5/8"	8641-581-032	8641-581-032			1
*	Washer-Flat, 5/8"	8641-582-018	8641-582-018			1
19	Bolt, 3/8"-16 x 2"			9545-029-011	9545-029-011	3
20	Washer, 3/8"			8641-582-003	8641-582-003	3
21	Bushing Taperlock (Driven & Large)			9053-078-002	9053-078-002	1
22	Washer-Flat .675x2-1/2x1/4			8641-581-043		1
23	Lockwasher-Exttooth, 5/8			8641-582-018		1
24	Bolt, 5/8-11x1 1/2			9545-060-001		1
22	Washer-Flat, .781x2-1/2x1/4				8641-581-044	1
23	Lockwasher-Exttooth, 3/4				8641-582-020	1
24	Bolt, 3/4-10-1 1/2				9545-057-004	1
25	Tub & Cylinder Assy	9869-035-004	9869-025-005	9869-027-004	9869-026-001	1



Key	Description	T-650	T-750	T-950	T-1450	
27	Cylinder Assy	9848-145-001	9848-136-002	9848-136-001	9848-141-001	
*	Tub Front	9974-014-002	9974-011-001	9974-011-001	9974-012-001	1
*	Gasket, Tub Front	9206-421-004	9206-421-002	9206-421-002	9206-421-003	1
*	Ring Assy, Tub Mtg-Front Clamp	9950-063-001	9950-055-001	9950-055-001	9950-061-001	1
*	Bolt, Top Front Ring 3/8"-16 x 3"	9545-029-009	9545-029-009	9545-029-009	9545-029-009	1
*	Nut 3/8"-16	8640-415-001	8640-415-001	8640-415-001	8640-415-001	1

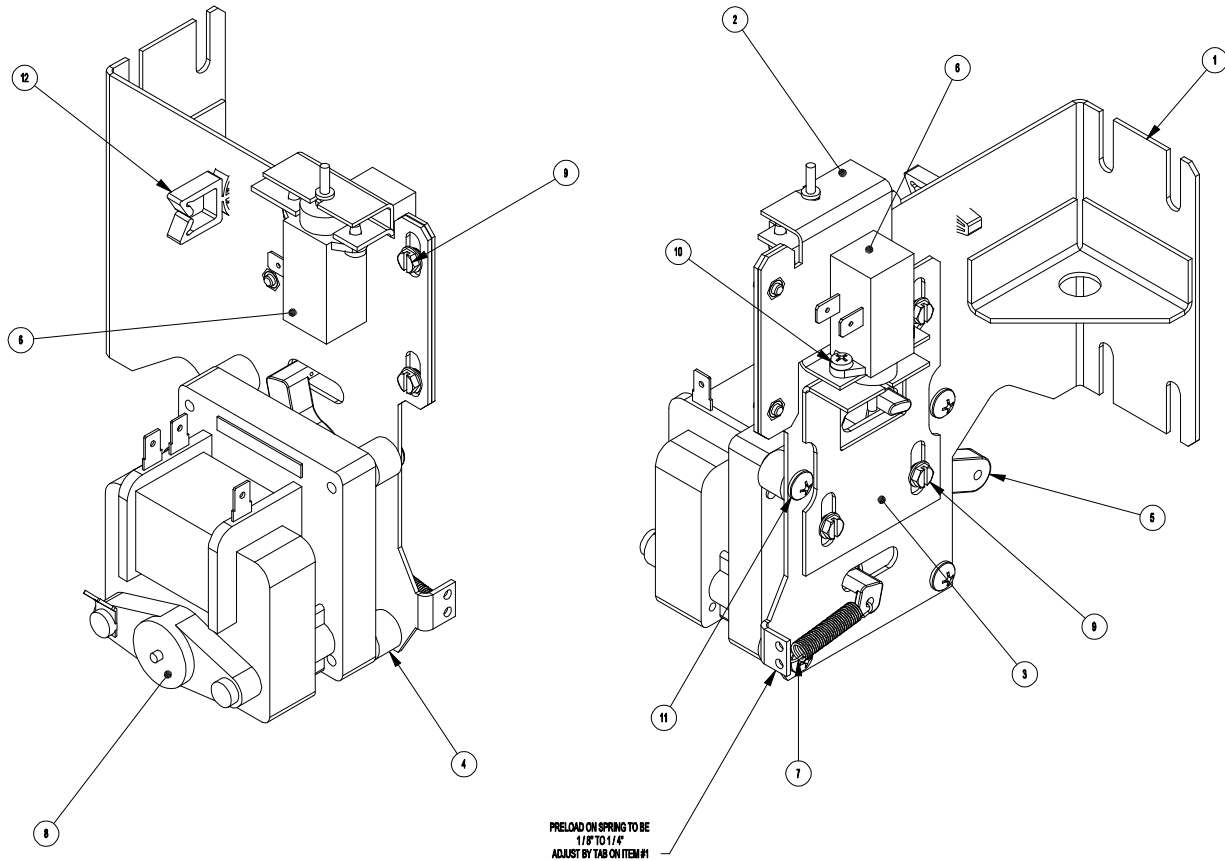
# Door Lock Assembly (All Models)



Key	Description	All Models	QTY
33	Lock Assy, Complete (#1-22) (includes #1 thru #22)	9885-031-001	1
1	Plate Assy, Door Lock	9982-346-001	1
2	Washer, Flat (SS or Brass)	8641-581-030	1
3	Actuator, Latching Switch	9008-005-001	1
4	Pawl, Locking	9450-003-002	1
5	Washer, Spring	8641-569-003	1
6	Ring, Retaining	9487-200-004	1
7	Bracket Switch	9029-163-001	1
8	Nut, Hex 10-32 UNF	8640-413-002	2
9	Spring, Actuating	9534-364-002	1
10	Screw, Hx. 10-32 x 1"	9545-012-020	1
11	Nut, Elastic Stop 10-32	8640-413-004	2
12	Spring, Return	9534-364-001	2
13	Pin, Guide	9451-193-001	1

Key	Description	All Models	QTY
14	Ring, Retaining	9487-200-005	1
15	Washer	8641-581-031	1
16	Switch, Latching Sensing	9539-461-008	1
17	Shield, Switch	9550-169-003	3
18	Screw 4-40 x 5/8"	9545-020-001	2
18	Nut, Twin	8640-401-001	2
19	Switch, Locking Sensing	9539-461-007	2
20	Actuator, Switch Locking	9008-006-003	1
21	Screw 4-40 x 1 1/8"	9545-020-003	2
21	Spacer Sensor	9538-182-001	1
22	Pin, Dowel (for door cam)	9451-181-004	1
*	Shim, Door Lock, Thin	9552-037-001	AR
*	Screw, Lock mtg 1/4"-20 x 3/4"	9545-018-014	3
*	Lockwasher 1/4" Ext tooth	8641-582-007	3

# Gear Motor Door Lock Assembly



PRELOAD ON SPRING TO BE  
1/8" TO 1/4"  
ADJUST BY TAB ON ITEM #1

Key	Description	T-650	T-750	T-950	T-1450	QTY
*	Actuator Assembly (Includes 1-10, Rod NOT included)	9892-015-003	9892-015-003	9892-015-003	9892-015-003	1
11	Screw Pnhdcr, 10-32 UNFx0 .75	9545-012-029	9545-012-029	9545-012-029	9545-012-029	4
10	Cross Recessed Pan Hd Tapping screw	9545-031-011	9545-031-011	9545-031-011	9545-031-011	4
9	Screw -Hxwshrhdslems, 6-32 x 3/16	9545-044-003	9545-044-003	9545-044-003	9545-044-003	6
8	Motor & Gear Assembly 120v	9914-137-015	9914-137-015	9914-137-015	9914-137-015	1
7	Spring - Extension	9534-350-001	9534-350-001	9534-350-001	9534-350-001	1
6	Thermoactuator - Door Lock Relay 24v	9586-001-003	9586-001-003	9586-001-003	9586-001-003	2
5	Arm - Door Lock	9001-063-001	9001-063-001	9001-063-001	9001-063-001	1
4	Spacer, Plastic	9538-157-021	9538-157-021	9538-157-021	9538-157-021	4
3	Bracket Slide Lock	9029-204-001	9029-204-001	9029-204-001	9029-204-001	1
2	Bracket Assy, Slide - Unlock	9985-189-001	9985-189-001	9985-189-001	9985-189-001	1
1	Bracket Assy, Slide - Unlock	9985-190-001	9985-190-001	9985-190-001	9985-190-001	1
*	Rod, Door Lock	9497-225-017	9497-225-013	9497-225-015	9497-225-016	1

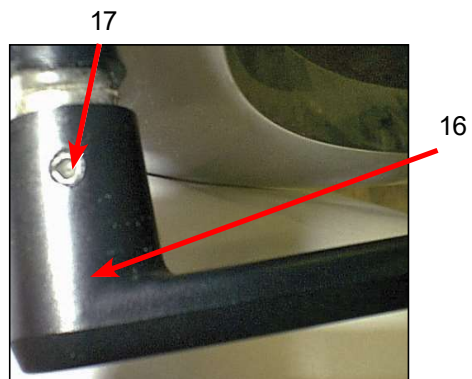
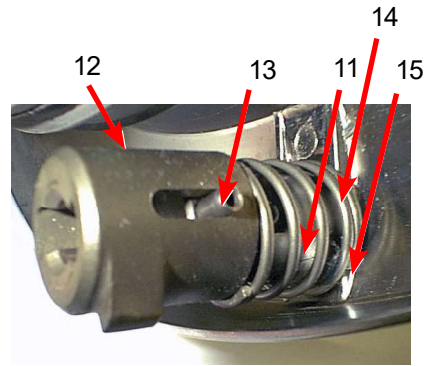
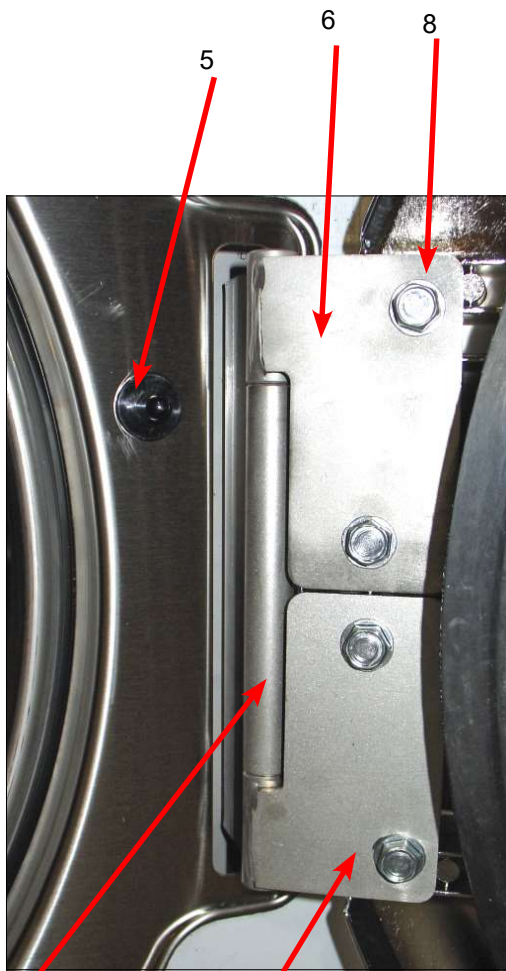
# Large Door & Hinge Group

Key	Description	T-650	T-750	T-950	T-1450	QTY
1	Door Hinge Assembly (mounts to tub front)	9955-030-001	9955-031-001	9955-031-001	9955-031-001	1
*	Door Assembly Complete	9960-309-001	9960-310-001	9960-310-001	9960-310-001	1
2	Door Ring 180 degree large hinge	9487-265-002	9487-275-001	9487-275-001	9487-275-001	1
3	Door Gasket	9206-419-001	9206-431-001	9206-431-001	9206-431-001	1
4	Door Glass Window	9635-016-001	9635-020-001	9635-020-001	9635-020-001	1
*	Wireasy-blu (Door Close Switch)	8220-063-047	8220-063-049	8220-063-049	8220-063-051	1
	Wireasy-blu/wht (Door Close Switch)	8220-063-048	8220-063-050	8220-063-050	8220-063-052	1
5	Switch, Door Hinge Close (Plunger)	9539-492-001	9539-492-001	9539-492-001	9539-492-001	1
6	Top Door Hinge Leaf (No pin)	9845-008-001	9845-006-001	9845-006-001	9845-006-001	1
7	Bottom Door Hinge Leaf	9845-005-002	9845-007-001	9845-007-001	9845-007-001	1
8	Thrd Form Screw, Door Mtg 5/16" x 5/8"	9545-056-002				3
8	Thrd Form Screw, Door Mtg 5/16" x 5/8"		9545-056-002	9545-056-002	9545-056-002	4
9	Screw, Loading Door Hinge Mtg - 5/16-18 x 3/4	9545-014-009	9545-014-013	9545-014-013	9545-014-013	3
*	Shim Large door	9552-043-001	9552-043-001	9552-043-001	9552-043-001	1
*	Shim-loaddoorhinge(thin)	9552-036-001				1



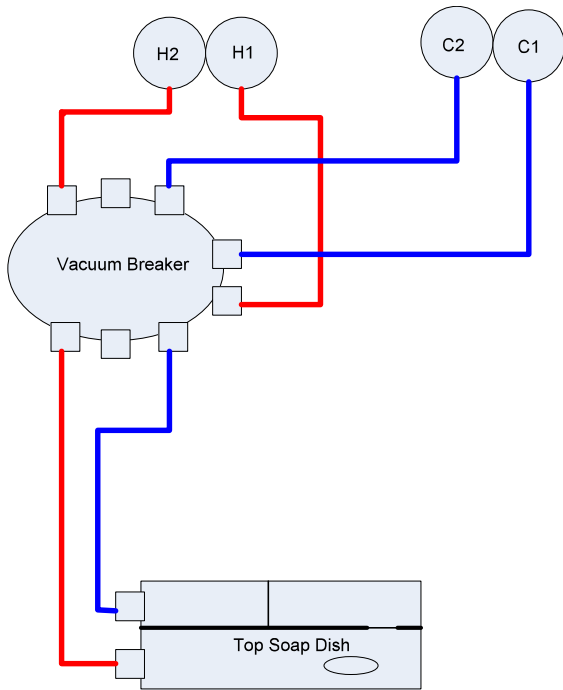
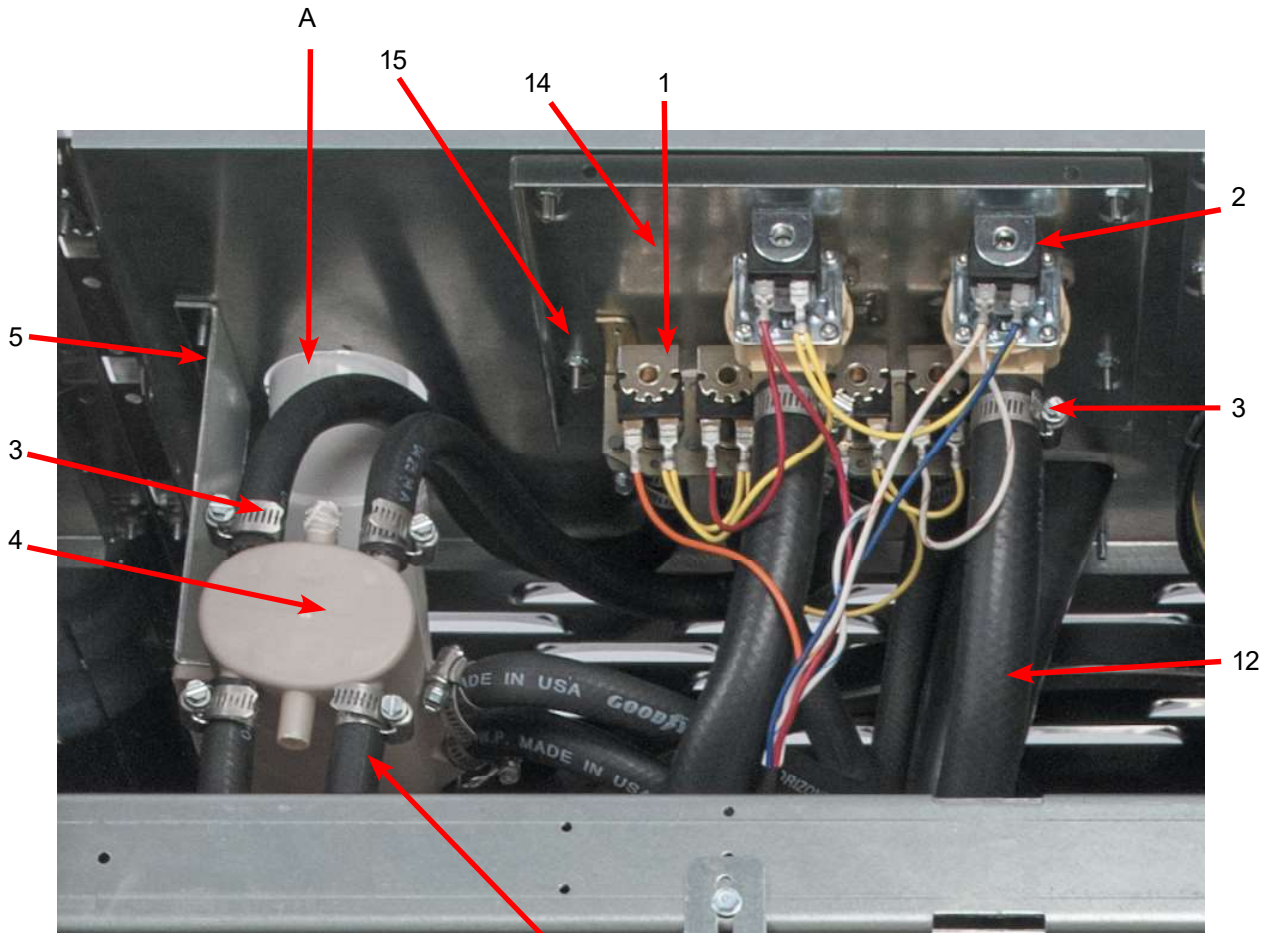


Key	Description	T-650	T-750	T-950	T-1450	
*	Shaft Assembly (includes 11-13)	9913-136-001	9913-136-001	9913-136-001	9913-136-001	
11	Shaft, Door Locking	9537-195-002	9537-195-002	9537-195-002	9537-195-002	1
12	Cam, Locking	9095-051-001	9095-051-001	9095-051-001	9095-051-001	1
13	Pin, Groove (1 1/4)	9451-181-005	9451-181-005	9451-181-005	9451-181-005	1
14	Pin, Groove (3/4)	9451-181-004	9451-181-004	9451-181-004	9451-181-004	1
15	Spring, Lock Cam	9534-360-002	9534-360-002	9534-360-002	9534-360-002	1
16	Handle, Door	9244-091-001	9244-091-001	9244-091-001	9244-091-001	1
17	Pin, Door Handle (groove)	9451-181-005	9451-181-005	9451-181-005	9451-181-005	1

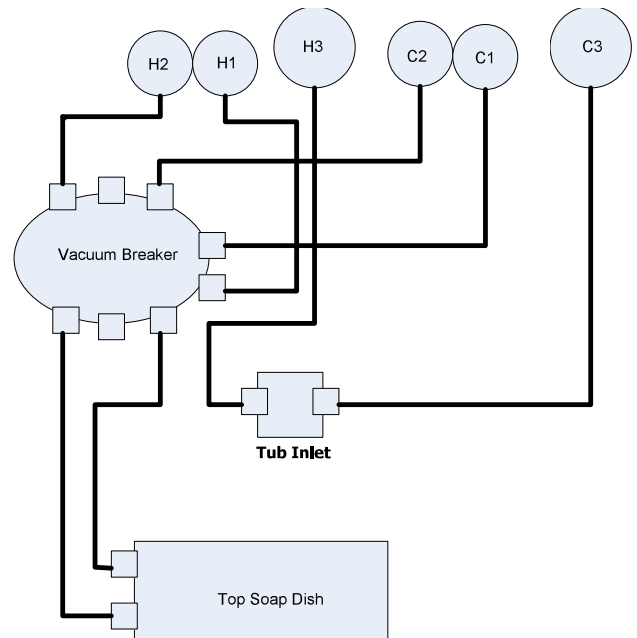


1

7



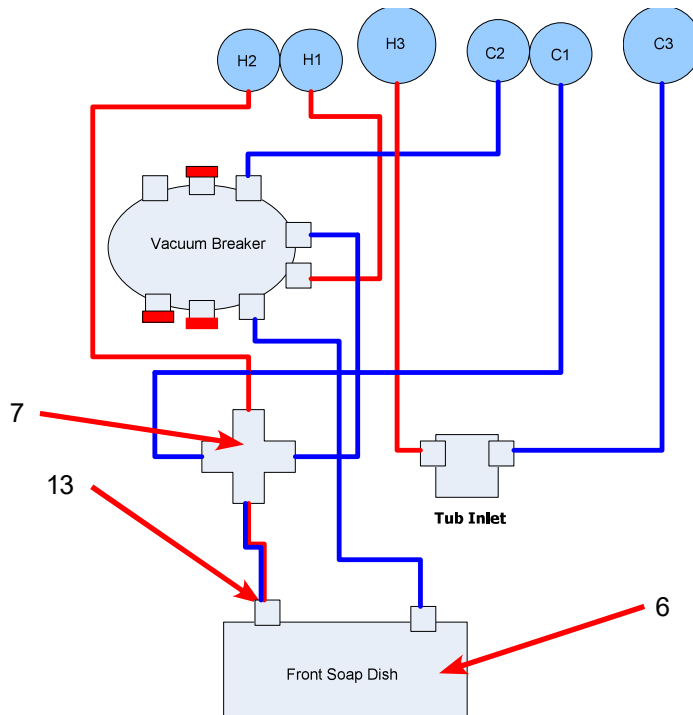
Top Soap Box Design



Top Soap Box 4 Valve Design

# Water Inlet Part # by Model

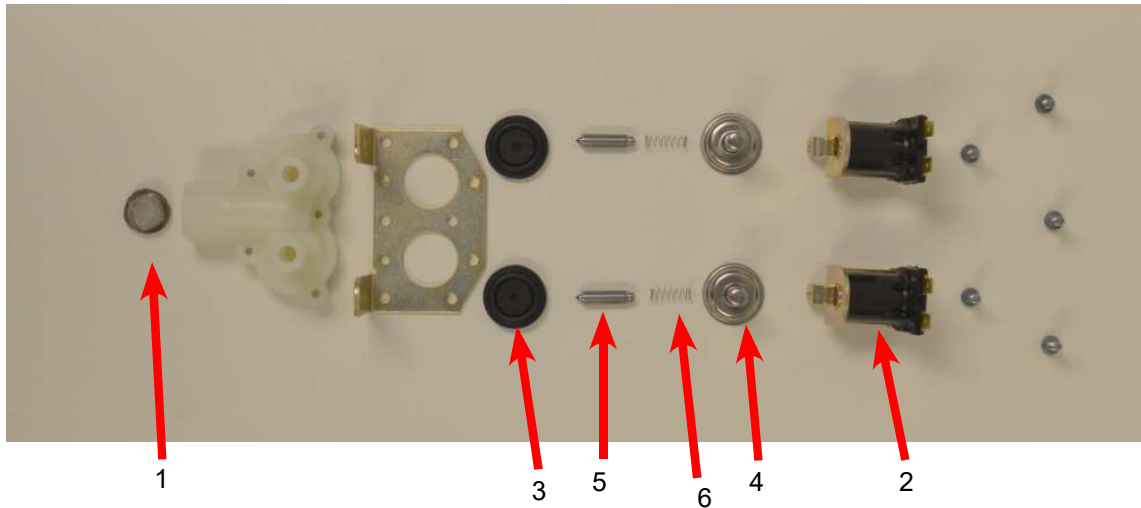
Key	Description	T-650	T 750	T-950	T-1450	
A	Injector Assembly	9883-005-001	9883-005-001	9883-012-001	9885-011-001	1
1	Valve, Water Inlet (dual outlet) (see Water Inlet Valve Breakdown for individual parts)	9379-183-012	9379-183-012	9379-183-012	9379-183-012	2
*	Screw, Valve Mtg	9545-008-026	9545-008-026	9545-008-026	9545-008-026	4
2	Valve Water Inlet (single outlet)			9379-194-001	9379-194-001	4
*	Screw, Valve M4x0.7x8mm			9495-064-001	9545-064-001	8
3	Clamp-Water Valves	8654-117-015	8654-117-008	8654-117-008	8654-117-008	AR
*	Shield over Water Valves Plastic	9550-194-001	9550-194-001	9550-195-001	9550-195-001	1
*	Clip-Push	9083-121-001	9083-121-001			3
*	Clip-Push			9083-121-001	9083-121-001	4
4	Vacuum Breaker	9610-001-001	9610-001-001	9610-001-001	9610-001-001	1
5	Bracket, Vacuum Breaker	9029-077-001	9029-077-001	9029-077-001	9029-266-001	1
*	Screw	9545-008-026	9545-008-026	9545-008-026	9545-008-026	4
6	New Front Mount Soap Box, 2 port				9807-087-001	1
7	Fitting, Cross				8615-118-001	
*	Clamp, Vacuum Breaker End	8654-117-014	8654-117-014	8654-117-014	8654-117-014	1
9	Hose, Vacuum Breaker to Tub Injection Tube	9242-461-001	9242-461-001	9242-461-001	9242-461-001	1
10	Flow resistor	9475-002-002	9475-002-002	9475-002-002	9475-002-002	2
11	1/2 inch hose, cut to length	9242-453-001	9242-453-001	9242-453-001	9242-453-001	AR
12	7/8 inch hose, cut to length			9242-466-001	9242-466-001	AR
13	Flow resistor			9475-002-002	9475-002-003	3
*	Tub Fill Inlet Cap	0935-135-002	0935-135-002	0935-135-002	0935-135-002	AR
14	Plate-Water Valves, Mounting	9452-813-001	9452-813-001	9452-814-001	9452-814-001	1
15	Nut, #10-32UNF, 2B	8460-413-002	8460-413-002	8460-413-002	8460-413-002	4



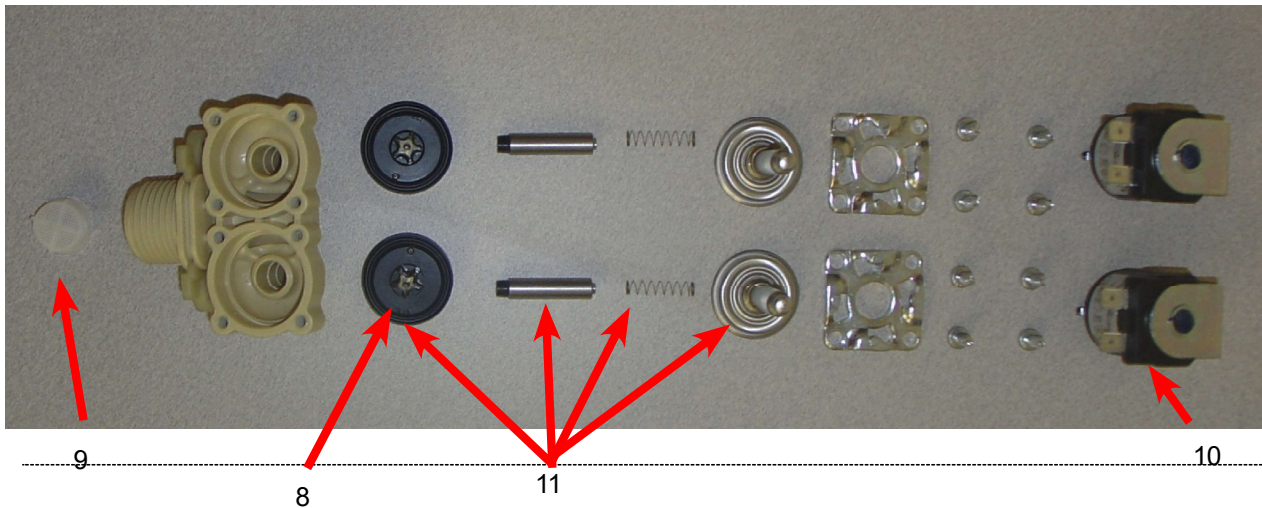
**New Front Soap Box Design**



# Water Inlet Valve Breakdown Part # by Model

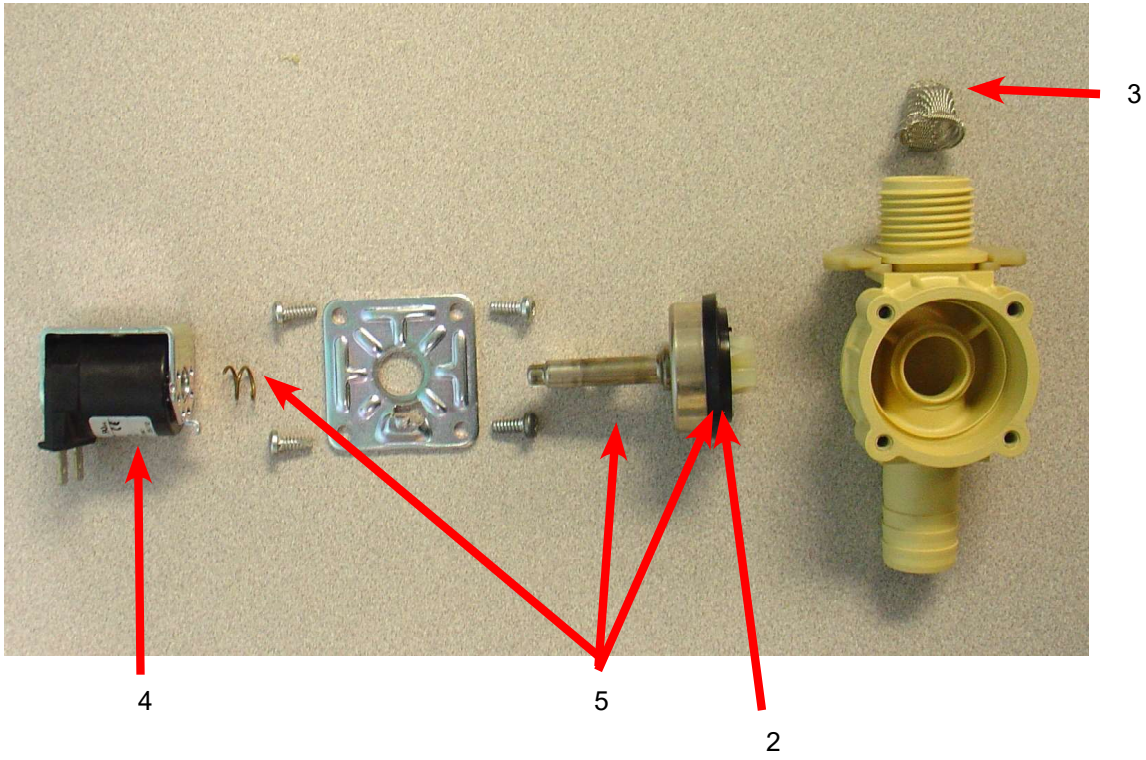


Key	Description	T-650	T-750	T-950	T-1450	
*	Valve, Water Inlet (includes 1 thru 6)	9379-183-012	9379-183-012	9379-183-012	9379-183-012	2
1	Screen, Inlet end of valve	9555-056-001	9555-056-001	9555-056-001	9555-056-001	2
2	Coil Assy., 120 V Invensys	9089-017-001	9089-017-001	9089-017-001	9089-017-001	2
*	Diaphragm Invensys (EPDM)	9118-049-001	9118-049-001	9118-049-001	9118-049-001	2
*	Diaphragm Invensys (Viton)	9118-049-002	9118-049-002	9118-049-002	9118-049-002	2
3	Diaphragm Invensys (EPDM NSF)	9118-049-003	9118-049-003	9118-049-003	9118-049-003	2
4	Guide, Solenoid Invensys	9211-021-002	9211-021-002	9211-021-002	9211-021-002	2
5	Armature Invensys	9015-008-001	9015-008-001	9015-008-001	9015-008-001	2
6	Spring, Armature Invensys	9534-298-001	9534-298-001	9534-298-001	9534-298-001	2



Optional Water Valve

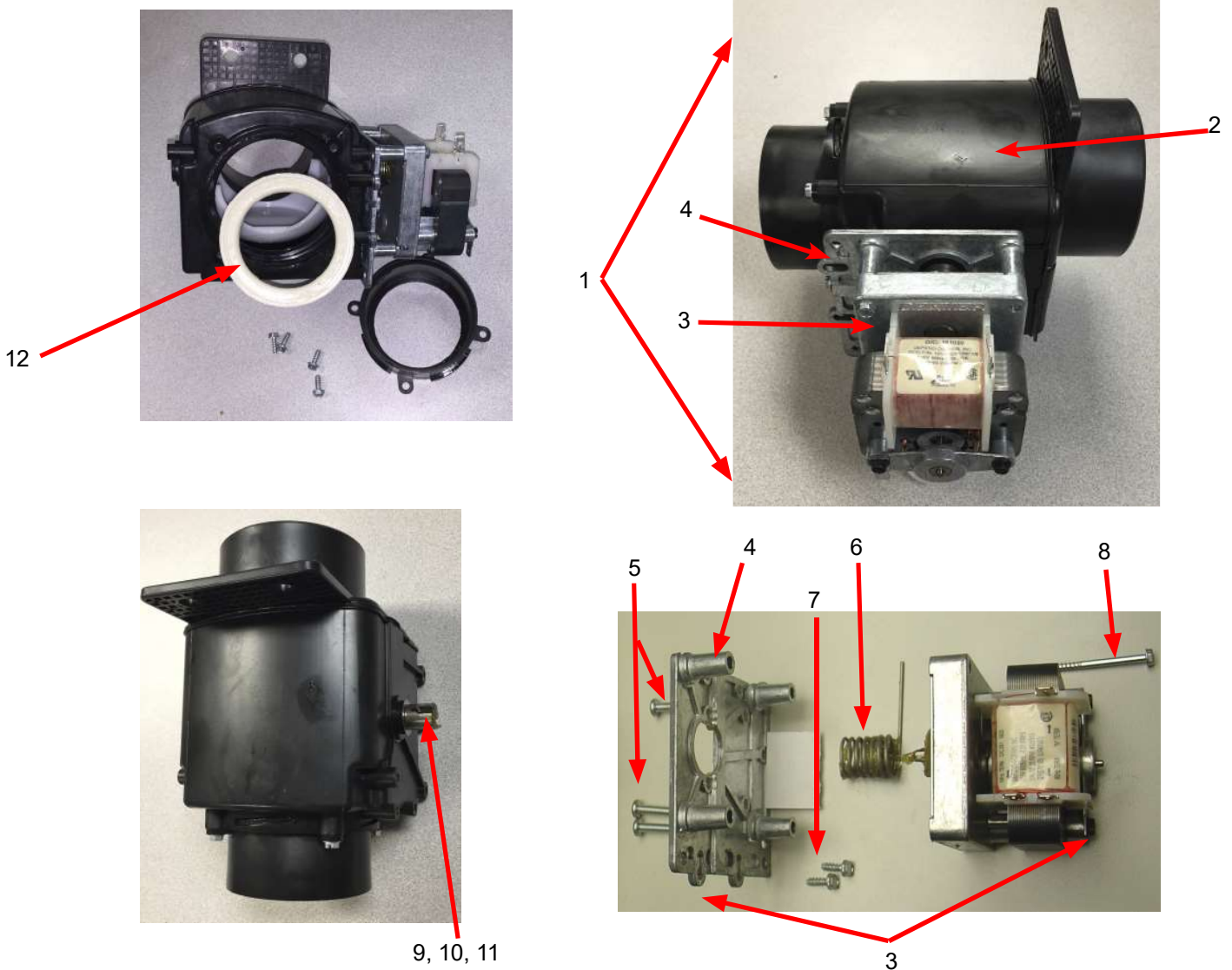
Key	Description	650	T-750	T-950	T-1450	QTY
*	Dual Coil Water Valve Mueller	9379-192-001	9379-192-001	9379-192-001	9379-192-001	1
7	Valve Water Body Complete(no coil)	9379-192-002	9379-192-002	9379-192-002	9379-192-002	1
8	Diaphragm Mueller	9118-054-001	9118-054-001	9118-054-001	9118-054-001	2
9	Filter Mueller	9183-046-001	9183-046-001	9183-046-001	9183-046-001	2
10	Coil Mueller	9089-051-001	9089-051-001	9089-051-001	9089-051-001	2
11	Diaphragm Assembly Mueller Includes	9785-001-001	9785-001-001	9785-001-001	9785-001-001	2



Key	Description	T-650	T-750	T-950	T-1450	QTY
*	Single Coil Water Valve Mueller			9379-194-001	9379-194-001	1
1	Valve Water Body Complete (no coil)			9379-194-002	9379-194-002	1
2	Diaphragm Mueller			9118-055-001	9118-055-001	1
3	Filter Mueller			9183-046-001	9183-046-001	1
4	Coil Mueller			9089-051-001	9089-051-001	1

# Drain Valve Group Part # by Model

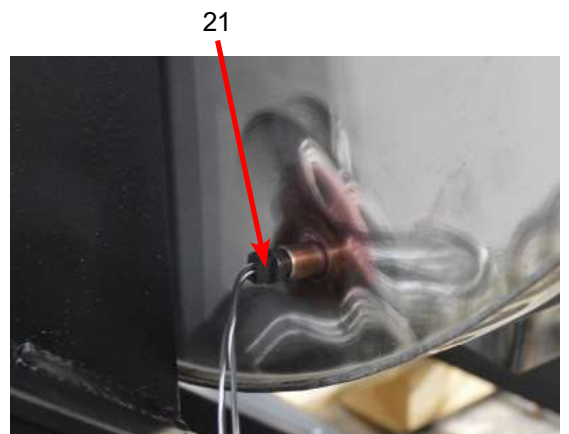
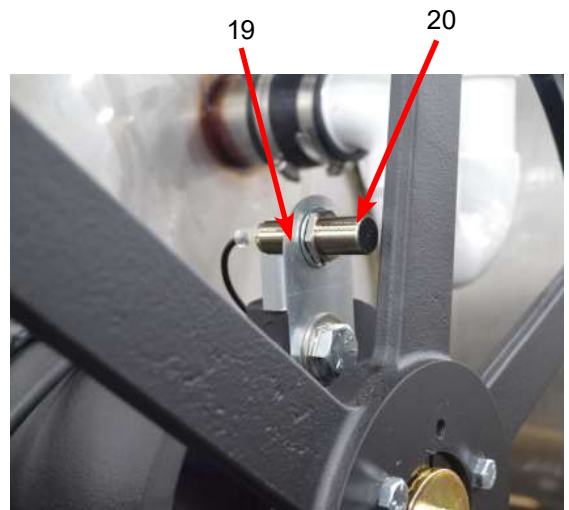
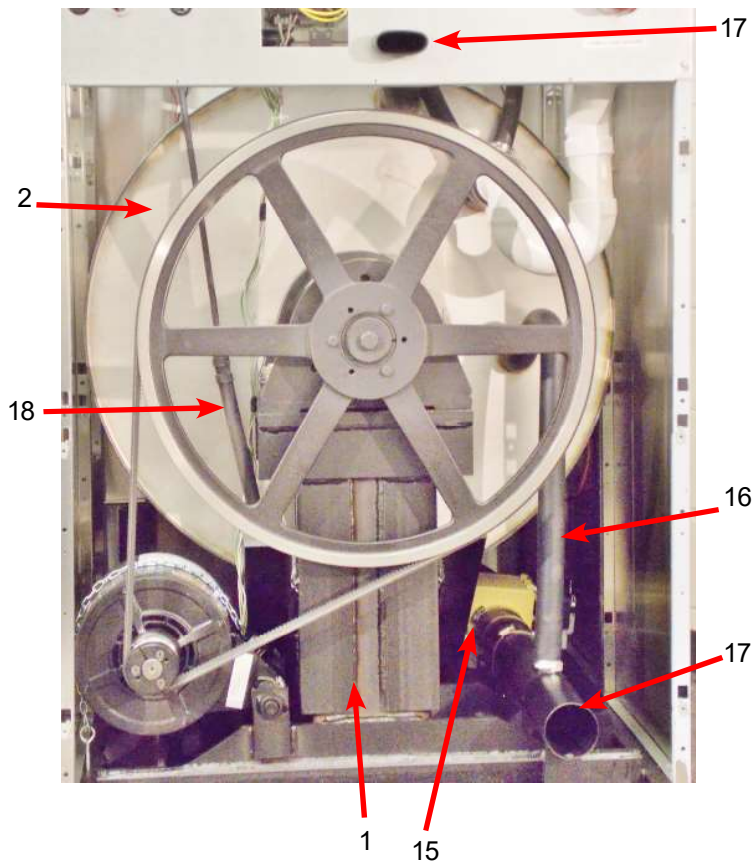
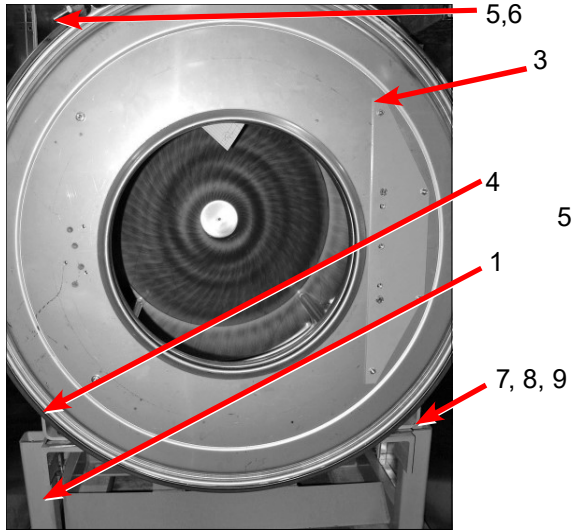
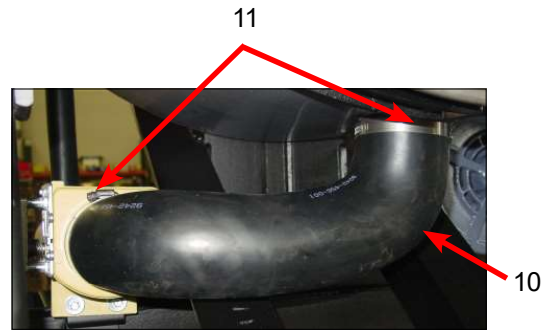
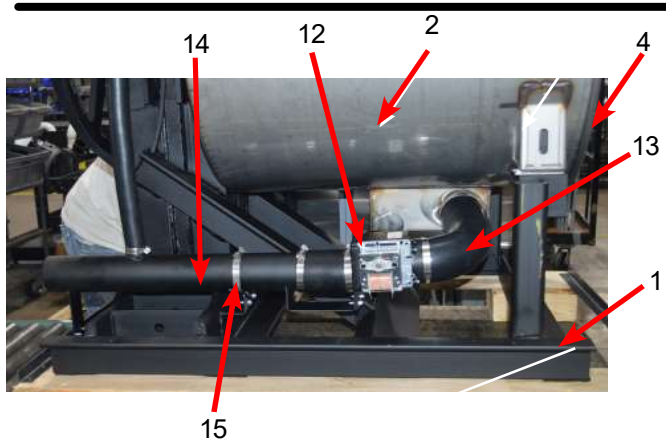
Key	Description	Part Number	Qty
1	Valve, Drain (includes #2 thru #11)	9379-202-001	1
2	Body, Valve (w/ball)	9064-072-001	1
3	Motor & Gear Train (complete)	9914-137-023	1
4	Plate, Motor Mtg	9452-538-001	1
5	Screw	8639-994-001	1
6	Spring, Drive	9534-339-001	1
7	Screw	9545-054-001	1
8	Screw	9545-054-002	1
9	Seal, V Packer	9532-134-001	1
10	Washer	8641-584-001	1
11	Pin, Main Drive	9451-196-001	1
*	Plate (spacers needed for replacement motor mtg. plate)	9538-149-001	1
12	Kit - Seal Replacement	9732-327-001	1



## Chassis and Drain Part # by Model

Key	Description	T-650	T-750	T-950	T-1450	
1	Base Assy,Frame	9945-143-002	9945-112-002	9945-128-002	9945-133-002	1
2	Outer Tub Assy.	9930-169-001	9930-148-002	9930-158-001	9930-155-001	1
*	Tub & Cylinder Assy.	9869-035-004	9869-025-005	9869-027-004	9869-026-001	1
3	Tub Front	9974-014-002	9974-011-001	9974-011-001	9974-012-001	1
*	Gasket, Tub Front	9206-421-004	9206-421-002	9206-421-002	9206-421-003	1
4	Ring Assy, Tub Mtg-Front Clamp	9950-063-001	9950-055-001	9950-055-001	9950-061-001	1
5	Bolt, Top Front Ring 3/8"-16 x 3"	9545-029-009	9545-029-009	9545-029-009	9545-029-009	1
6	Nut 3/8"-16	8640-415-001	8640-415-001	8640-415-001	8640-415-001	1
7	Bolt, 1/2" -13 x 2" Tub feet to base	9545-017-013	9545-017-013	9545-017-013	9545-017-013	2
8	Nut, Wizloc 1/2" x 13	8640-417-005	8640-417-005	8640-417-005	8640-417-005	2
9	Washer, Flat 1/2"	8641-581-026	8641-581-026	8641-581-026	8641-581-026	2
10	Hose, Tub to Drain Valve	9242-464-001	9242-456-001	9242-459-001	9242-459-001	1
11	Clamp, Hose (Tub to Drain Valve)	8654-117-014	8654-117-014	8654-117-014	8654-117-008	2
12	Valve, Drain	9379-202-001	9379-202-001	9379-202-001	9379-202-001	1
*	Screw, Valve to Base 1/4ABx3/4	9545-030-002	9545-030-002	9545-030-002	9545-030-002	2
*	Washer, Flat 1/4	8641-581-018	8641-581-018	8641-581-018	8641-581-018	2
13	Hose, Drain Valve to Tube	9242-457-001	9242-457-001	9242-457-001	9242-457-002	1
*	Clamp, Hose (Drain Valve to Tube)	8654-117-014	8654-117-014	8654-117-014	8654-117-008	2
14	Tube Assy, Drain	9915-124-002	9915-124-002	9915-120-004	9915-129-002	1
15	Clamp, Hose (Tube to Frame Bracket)	8654-117-014	8654-117-014	8654-117-014	8654-117-014	1
*	Bracket, Drain Tube			9029-162-002		1
*	Screw Tube (Bracket to Base 1/4Bx3/4)	9545-030-002	9545-030-002	9545-030-002	9545-030-002	2
16	Hose, Overflow Tub To Drain Tube	9242-449-002	9242-449-003	9242-449-003	9242-449-005	1
*	Clamp, Hose	8654-117-018	8654-117-018	8654-117-018	8654-117-018	2
17	Tube, Suds overflow	9242-463-004	9242-463-004	9242-463-004	9242-463-006	1
*	Clamp, Hose	8654-117-008	8654-117-008	8654-117-008	8654-117-008	2
18	Hose, Pressure switch	9242-175-002	9242-175-007	9242-175-007	9242-175-004	1
*	Clamp, Hose	8654-117-015	8654-117-015	8654-117-015	8654-117-015	1
*	Anchor-wiretie,adhesive	9004-007-001	9004-007-001	9004-007-001	9004-007-001	1
*	Strap-tie,adjustableratchet	9544-040-001	9544-040-001	9544-040-001	9544-040-001	1
19	Bracket-switch,prox	9029-309-001	9029-309-001	9029-309-001	9029-309-001	1
*	Washer-flat	8641-581-040	8641-581-040	8641-581-040	8641-581-040	1
*	Screw-hxcap,5/8-11x3/4	9545-060-005	9545-060-005	9545-060-005	9545-060-005	1
20	Switch-prox,18mm,shld,60"	9539-498-001	9539-498-001	9539-498-001	9539-498-001	1
21	Sensorassembly-thermistor,10k	9501-005-002	9501-005-002	9501-005-002	9501-005-002	1
*	Sealer-pipe	8538-132-000	8538-132-000	8538-132-000	8538-132-000	1

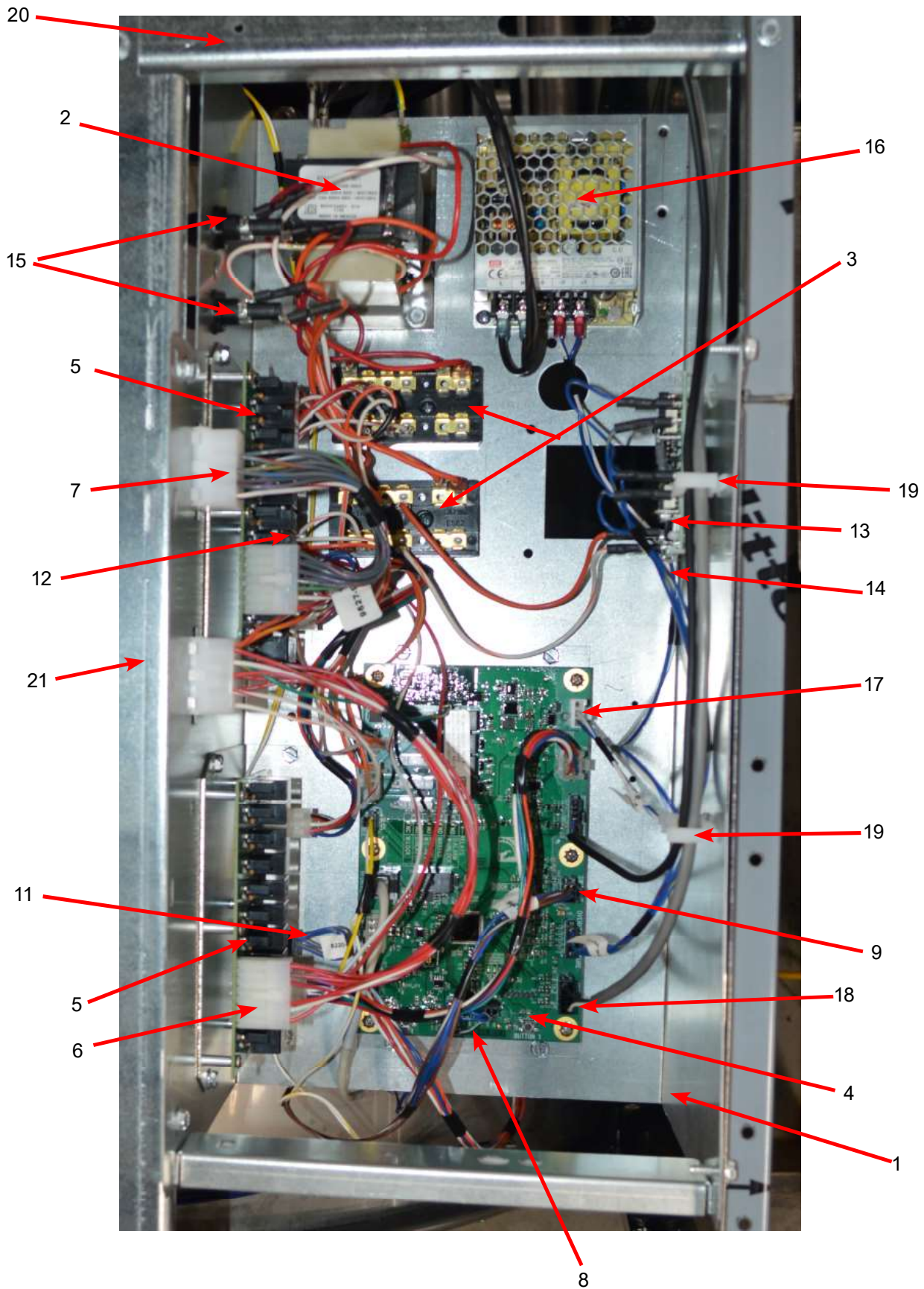




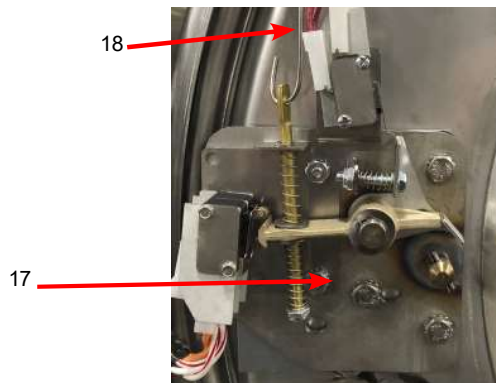
Key	Description	T-650	T-750	T-950	T-1450	
	Contrlrassy-trgh, opl,60hz	9857-243-001	9857-244-001	9857-245-001	9857-246-001	1
1	Troughassy-control	9839-019-001	9839-019-001	9839-019-001	9839-019-001	1
2	Transformer-dualsecondary	8711-017-001	8711-017-001	8711-017-001	8711-017-001	1
*	Screw-hxwshrhnduct,#10bx1/2	9545-008-026	9545-008-026	9545-008-026	9545-008-026	4
*	Lockwasher-exttooth,#10	8641-582-006	8641-582-006	8641-582-006	8641-582-006	4
3	Terminalblockassembly-power	9897-026-005	9897-026-005	9897-026-005	9897-026-005	2
*	Screw-panhdr,#8abx1/2	9545-045-012	9545-045-012	9545-045-012	9545-045-012	4
*	Wiringharn-ctrl,graph,can,wshr	9627-922-002	9627-922-002	9627-922-002	9627-922-002	1
4	Pcbassy-maincontrol	9799-027-001	9799-027-001	9799-027-001	9799-027-001	1
5	Pcbassy-relay	9799-028-001	9799-028-001	9799-028-001	9799-028-001	2
*	Screw-hxwshrhnduct,#10bx1/2	9545-008-026	9545-008-026	9545-008-026	9545-008-026	12
6	Wiringharness-main,t-650-1450	9627-933-001	9627-933-001	9627-933-001	9627-933-001	1
7	Wiringharness-chemical,v2.0wshr	9627-927-001	9627-927-001	9627-927-001	9627-927-001	1
8	Wireasy,2.0,	8220-158-017	8220-158-019	8220-158-025	8220-158-029	1
9	Wiringharness-drsw/vfd,stp	9627-928-001	9627-928-001	9627-928-001	9627-928-003	1
10	Clamp-cable,3/16"	8654-125-005	8654-125-005	8654-125-005	8654-125-005	1
*	Screw-hxwshrhnd,8bx1/4	9545-045-001	9545-045-001	9545-045-001	9545-045-001	1
*	Wiringharness-cntrl/relay,v2.0	9627-921-001	9627-921-001	9627-921-001	9627-921-001	2
11	Wireasy-jumper,v2.0,relaypcb	8220-159-005	8220-159-005	8220-159-005	8220-159-005	1
12	Wireasy-jumper,v2.0,relaypcb	8220-159-006	8220-159-006	8220-159-006	8220-159-006	1
*	Screw-hxwshrhndsl,10-32tx1/2grn	9545-008-027	9545-008-027	9545-008-027	9545-008-027	2
*	Lockwasher-exttooth,#10	8641-582-006	8641-582-006	8641-582-006	8641-582-006	2
*	Standoff-twistlok	9527-002-002	9527-002-002	9527-002-002	9527-002-002	4
13	Sensorassy-pressure,2level	9732-315-001	9732-315-001	9732-315-001	9732-315-001	1
*	Support-pcb,3/8",edge Holding	9548-285-001	9548-285-001	9548-285-001	9548-285-001	4
14	Wiringharness-ps,t-650-1450	9627-926-001	9627-926-001	9627-926-001	9627-926-001	1
*	Wireasy-org,71/2"	8220-062-052	8220-062-052	8220-062-052	8220-062-052	1
*	Wireasy-wht/org,9"	8220-062-053	8220-062-053	8220-062-053	8220-062-053	1
15	Fuseholderassembly	9200-001-002	9200-001-002	9200-001-002	9200-001-002	2
*	Fuse-2a,slow,1/4x1-1/4	8636-018-005	8636-018-005	8636-018-005	8636-018-005	1
*	Fuse-1.5a,fast,1/4x1-1/4	8636-018-001	8636-018-001	8636-018-001	8636-018-001	1
*	Label-fuse,2.5a	8502-716-002	8502-716-002	8502-716-002	8502-716-002	1
*	Label-fuse,1.5a	8502-716-001	8502-716-001	8502-716-001	8502-716-001	1
*	Wireasy-red,71/2"	8220-062-059	8220-062-059	8220-062-059	8220-062-059	2
*	Wireasy-org,71/2"	8220-062-052	8220-062-052	8220-062-052	8220-062-052	2
*	Label-waterlevelsettings,opl	8502-775-001	8502-775-001	8502-775-001	8502-775-001	1
16	Elecperiph-powersupply,12v	9150-054-001	9150-054-001	9150-054-001	9150-054-001	1
*	Screw-pnhdcr,6bx3/8	9545-031-005	9545-031-005	9545-031-005	9545-031-005	2
17	Wiringharness-pwrsup,v2.0wshr	9627-923-001	9627-923-001	9627-923-001	9627-923-001	1
18	Wiringharness-thermist,v2.0wsh	9627-930-001	9627-930-001	9627-930-001	9627-930-001	1
*	Screw-hxwshrhnduct,#10bx1/2	9545-008-026	9545-008-026	9545-008-026	9545-008-026	5
19	Standoff-wiresaddle/arrowhead		9527-007-001		9527-007-001	1
20	Support,Trough	9081-171-001	9081-172-001	9081-172-001	9081-173-001	1
21	Channel-trough,mtg		9081-187-001	9081-188-001	9081-155-001	1
*	Angle-support,trough	9003-368-001				1
*	Screw-hxwshdsl,10bx1/4	9545-008-001	9545-008-001	9545-008-001	9545-008-001	2
*	Plate-wireclips		9452-823-001	9452-823-001		1
*	Screw-hxwshrhnduct,#10bx1/2	9545-008-026	9545-008-026	9545-008-026	9545-008-026	AR



# Electrical Components - Top Compartment

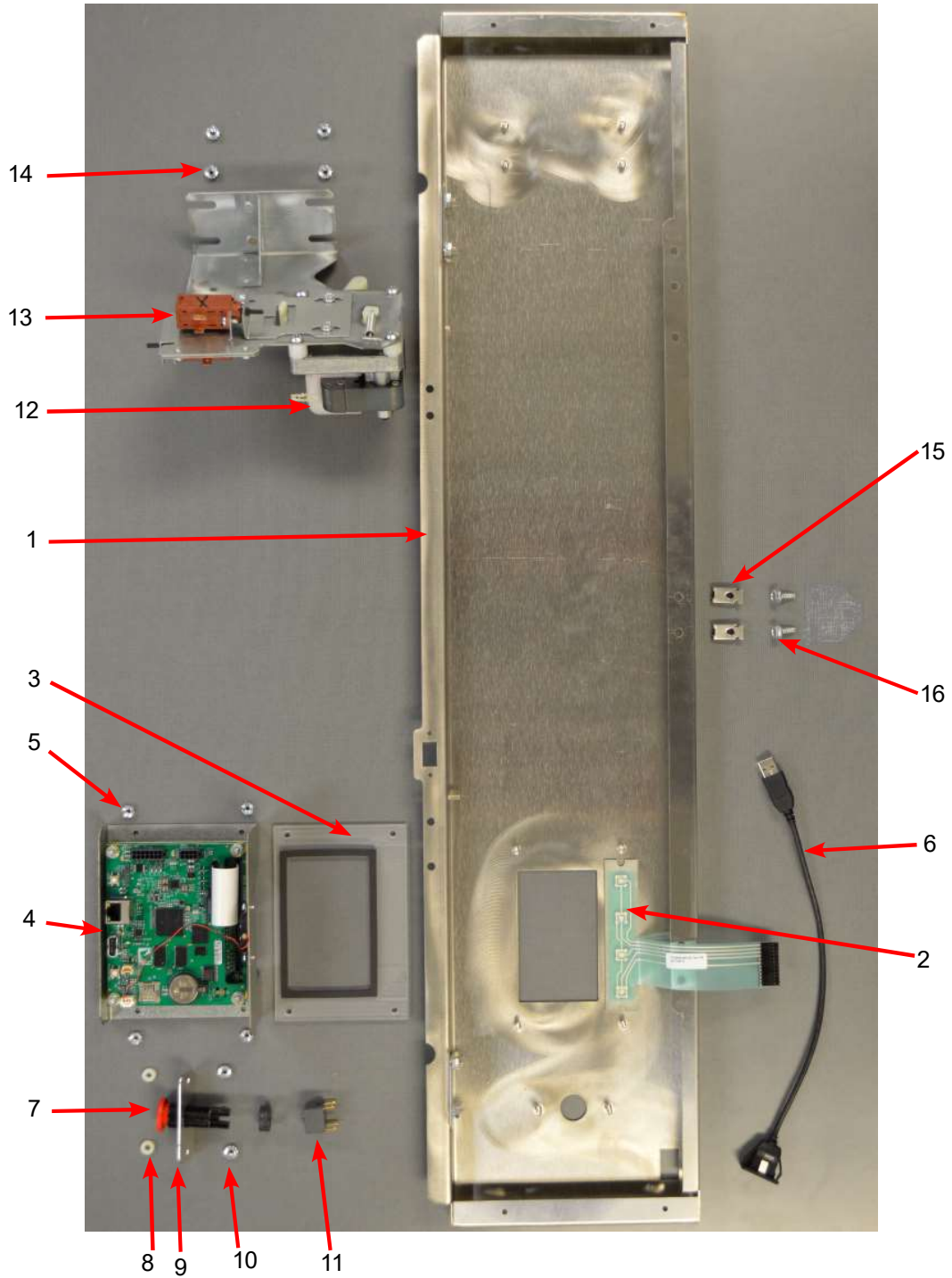


Key	Description	T-650	T-750	T-950	T-1450	
1	Panel Control Assembly(panel only)	9989-599-001	9989-600-001	9989-600-001	9989-601-001	1
*	Screw-Hxwshrhnduct #10Bx 1/2"(Control Panel To side Panel)	9545-008-026	9545-008-026	9545-008-026	9545-008-026	4
*	Plate -Latch, Top	9452-625-001	9452-625-001	9452-625-001	9452-625-001	AR
*	Nut Hexkeps #8-32	8640-412-005	8640-412-005	8640-412-005	8640-412-005	AR
*	Post-locator,top	9467-024-001				2
*	Nut-hexkeps,#6-32	8640-411-003				2
*	Locator Panel	9355-001-001	9355-001-001	9355-001-001	9355-001-001	AR
*	Screw FillHDCR 10Bx1/2" Guide	9545-008-023	9545-008-023	9545-008-023	9545-008-023	AR
*	Shield, PCB	9550-184-001	9550-184-001	9550-184-001	9550-184-001	1
*	Nut, #8-32	8640-412-005	8640-412-005	8640-412-005	8640-412-005	3
2	Button-control,2.0,opl	9035-063-001	9035-063-001	9035-063-001	9035-063-001	1
3	Window-display,lcd(w/gasket)	9635-021-002	9635-021-002	9635-021-002	9635-021-002	1
4	Contrlassy-display,2.0,opl,wsh	9857-230-003	9857-230-003	9857-230-003	9857-230-003	1
5	Nut-hexkeps,#6-32	8640-411-003	8640-411-003	8640-411-003	8640-411-003	4
6	Cableassy-usb,snapin	9806-024-001	9806-024-001	9806-024-001	9806-024-001	1
*	Wiringharness-doorlock	9627-936-003	9627-936-001	9627-936-001	9627-936-004	1
*	Harness, P5/Pressure Switch	9627-926-001	9627-926-001	9627-926-001	9627-926-001	1
*	Kit-Emergency Stop, O-Series (includes #X, #Y)	9732-223-004	9732-223-004	9732-223-004	9732-223-004	1
7	Button-emergencystop,w/latch	9035-061-002	9035-061-002	9035-061-002	9035-061-002	1
8	Spacer-pcb,#8x1/8	9538-157-005	9538-157-005	9538-157-005	9538-157-005	2
9	Plate-mounting,stopbutton	9452-725-001	9452-725-001	9452-725-001	9452-725-001	1
10	Nut-hexkeps,#8-32	8640-412-005	8640-412-005	8640-412-005	8640-412-005	2
11	Switch-contactblock,dpst,nc	9539-499-001	9539-499-001	9539-499-001	9539-499-001	1
*	Nameplate,Control Panel (one piece) Black	9412-243-001	9412-244-001	9412-245-001	9412-246-001	1
12	Motor Ass'y, Door Locking (see Door Lock Group for parts breakdown)	9892-015-003	9892-015-003	9892-015-003	9892-015-003	1
13	Thermoactuator - 24VAC	9586-001-003	9586-001-003	9586-001-003	9586-001-003	2
14	Hex Nuts (mounting Door Lockassy. to control panel)	8640-412-005	8640-412-005	8640-412-005	8640-412-005	4
15	Nut-Spring	8640-399-008	8640-399-008	8640-399-008	8640-399-008	2
16	Screw, #10B x 1/2	9545-008-026	9545-008-026	9545-008-026	9545-008-026	2
*	Anchor-wiretie,adhesive	9004-007-001	9004-007-001	9004-007-001	9004-007-001	2
*	Strap-tie,adjustableratchet	9544-040-001	9544-040-001	9544-040-001	9544-040-001	2
17	Doorlockassembly-complete	9885-024-001	9885-024-001	9885-024-001	9885-024-001	1
	Shim-doorlock,thin	9552-037-001	9552-037-001	9552-037-001	9552-037-001	3
	Screw-hxhdcap,1/4-20x3/4	9545-018-014	9545-018-014	9545-018-014	9545-018-014	3
	Lockwasher-exttooth,1/4	8641-582-007	8641-582-007	8641-582-007	8641-582-007	3
18	Rod-pull,doorlock	9497-225-017	9497-225-013	9497-225-015	9497-225-016	1





# Control Panel Part # by Model



# Labels and Diagrams All O-Series Models

Key	Description	T-650	T-750	T-950	T-1450	
*	Operators Manual	8514-290-001	8514-290-001	8514-290-001	8514-290-001	1
	Wiringlabel-diagram/inform	9507-011-001	9507-013-001	9507-004-001	9507-012-001	
	Wiringlabel-schematic	9508-011-001	9508-013-001	9508-004-001	9508-012-001	
	Instruct-washerinstall	8507-448-001	8507-448-001	8507-448-001	8507-448-001	
	Instructions-chemicalhoseinstl	8507-268-001	8507-268-001	8507-268-001	8507-268-001	
	Instruct-transformerconn,60hz	8507-449-001	8507-449-001	8507-449-001	8507-449-001	
	Card-warranty(dexter)	8507-300-001	8507-300-001	8507-300-001	8507-300-001	
	Label-warning	8502-639-001	8502-639-001	8502-639-001	8502-639-001	
	Label-keeppanelinplace	8502-760-001	8502-760-001	8502-760-001	8502-760-001	
	Labels-blank,sets of 4	8502-670-001	8502-670-001	8502-670-001	8502-670-001	
	Label-warning,high voltage	8502-614-004	8502-614-004	8502-614-004	8502-614-004	
	Label-warning,door opening,blk	8502-757-001	8502-757-001	8502-757-001	8502-757-001	
	Label-warning,risk of injury,blk	8502-759-001	8502-759-001	8502-759-001	8502-759-001	
	Label-fusing&installation	8502-619-004	8502-619-003	8502-619-003	8502-619-008	
	Label-warning/notice,washer	8502-761-001	8502-761-001	8502-761-001	8502-761-001	
	Label-connections,injection	8502-776-001	8502-776-001	8502-776-001	8502-776-001	
	Label-instruc,chemicalinstall	8502-653-001	8502-653-001	8502-653-001	8502-653-001	
	Label-injectorassembly	8502-666-001	8502-666-001	8502-666-001	8502-666-001	
	Label-blank,oneacross(carton)	8502-669-002	8502-669-002	8502-669-002	8502-669-002	
	Label-dispenser,black				8502-745-001	



Risk of Injury Label



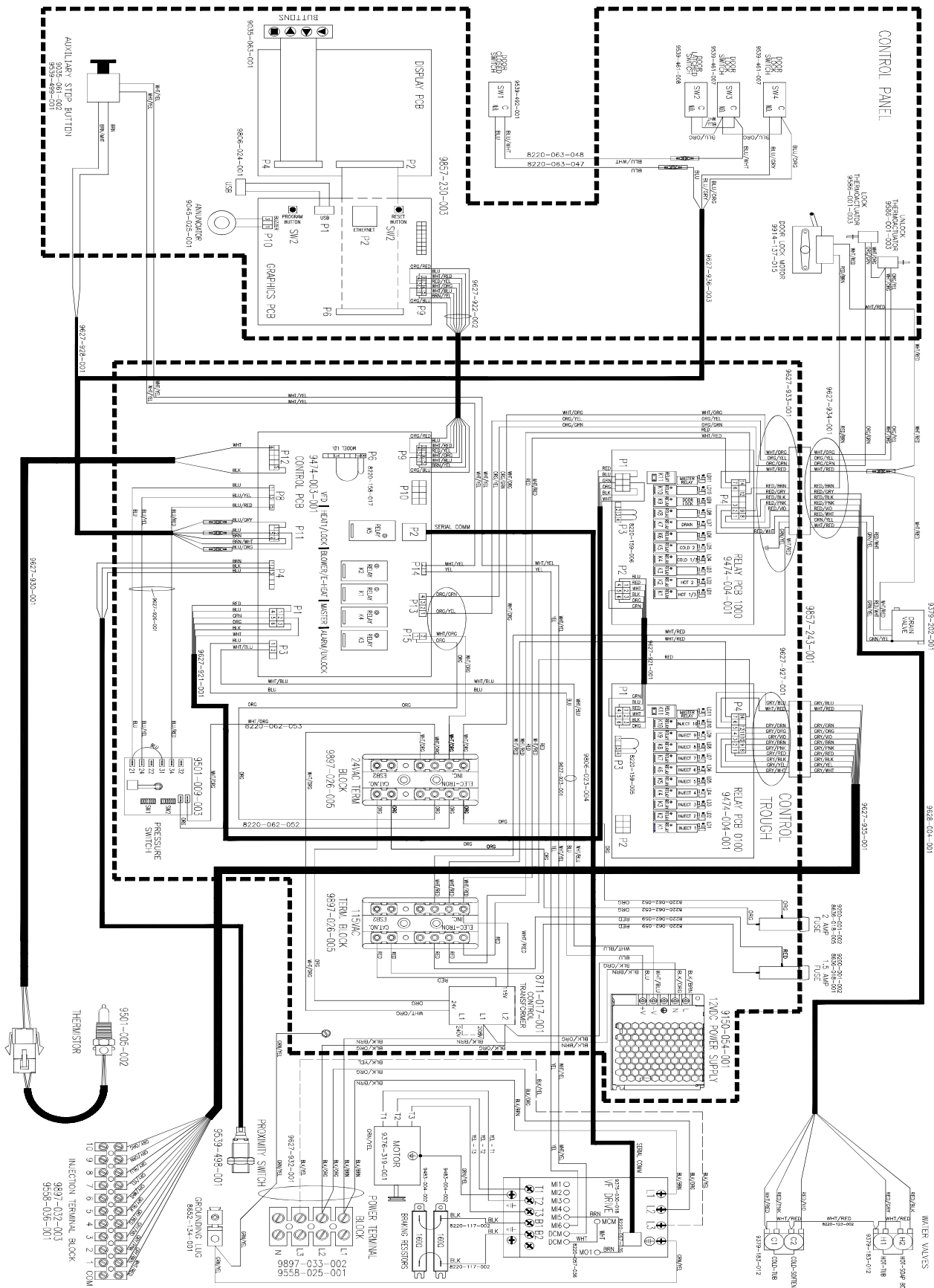
Door Label



Top Dispenser Label Front Soap Dish



# WN0650XB-12EO Diagram



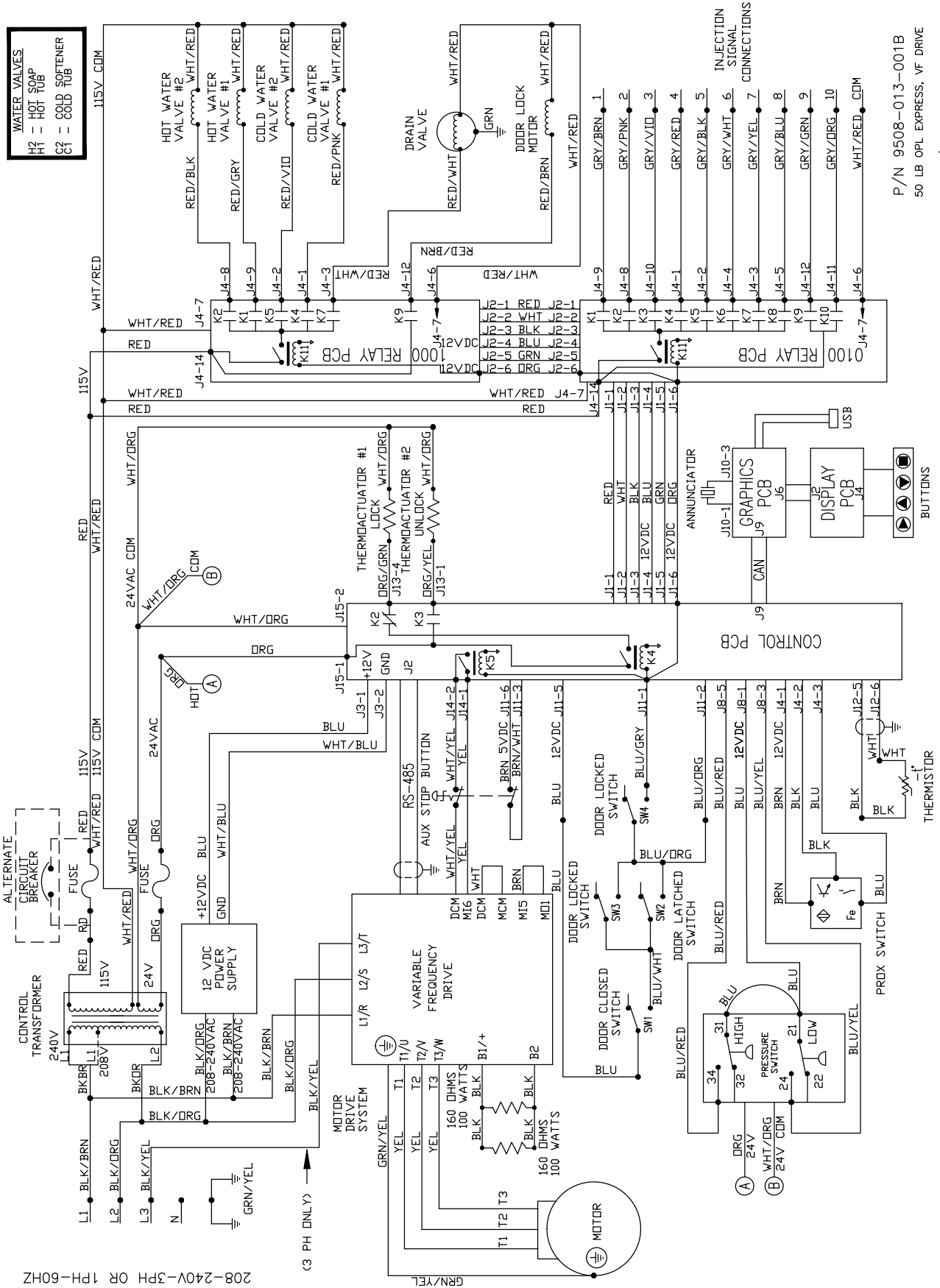
WIRING DIAGRAM

208 - 240V, 1/3PH, 60HZ

P/N 9507-011-001C  
40 LB GAL EXPRESS VF DRIVE  
WN0650X-12.0.X



# WN0750XB-12EO Schematic



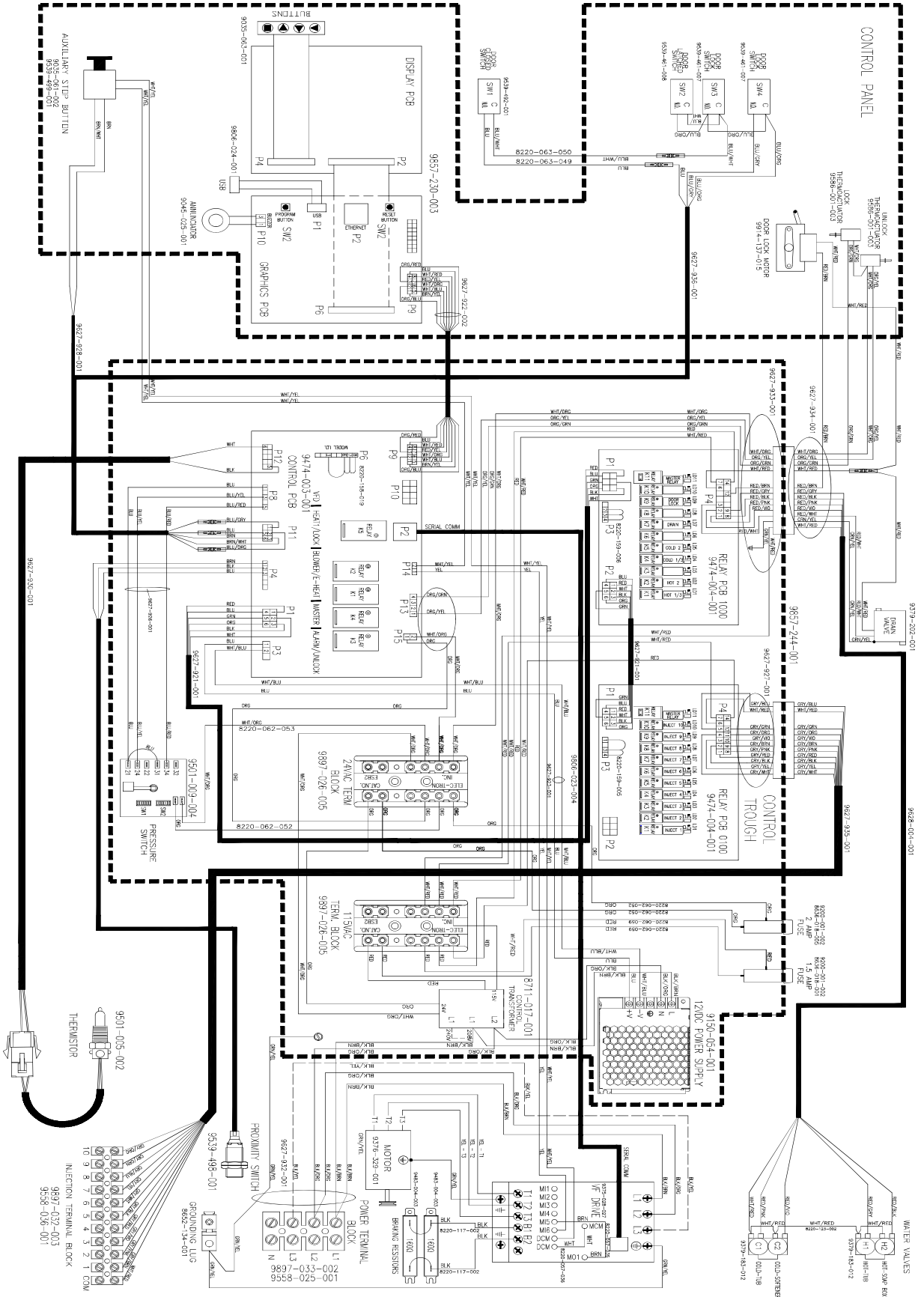
208-240V-3PH OR 1PH-60HZ

(3 PH ONLY)

P/N 9508-013-001B  
 50 LB OPL EXPRESS, VF DRIVE

208-240V-1/3PH-60HZ  
 SCHEMATIC

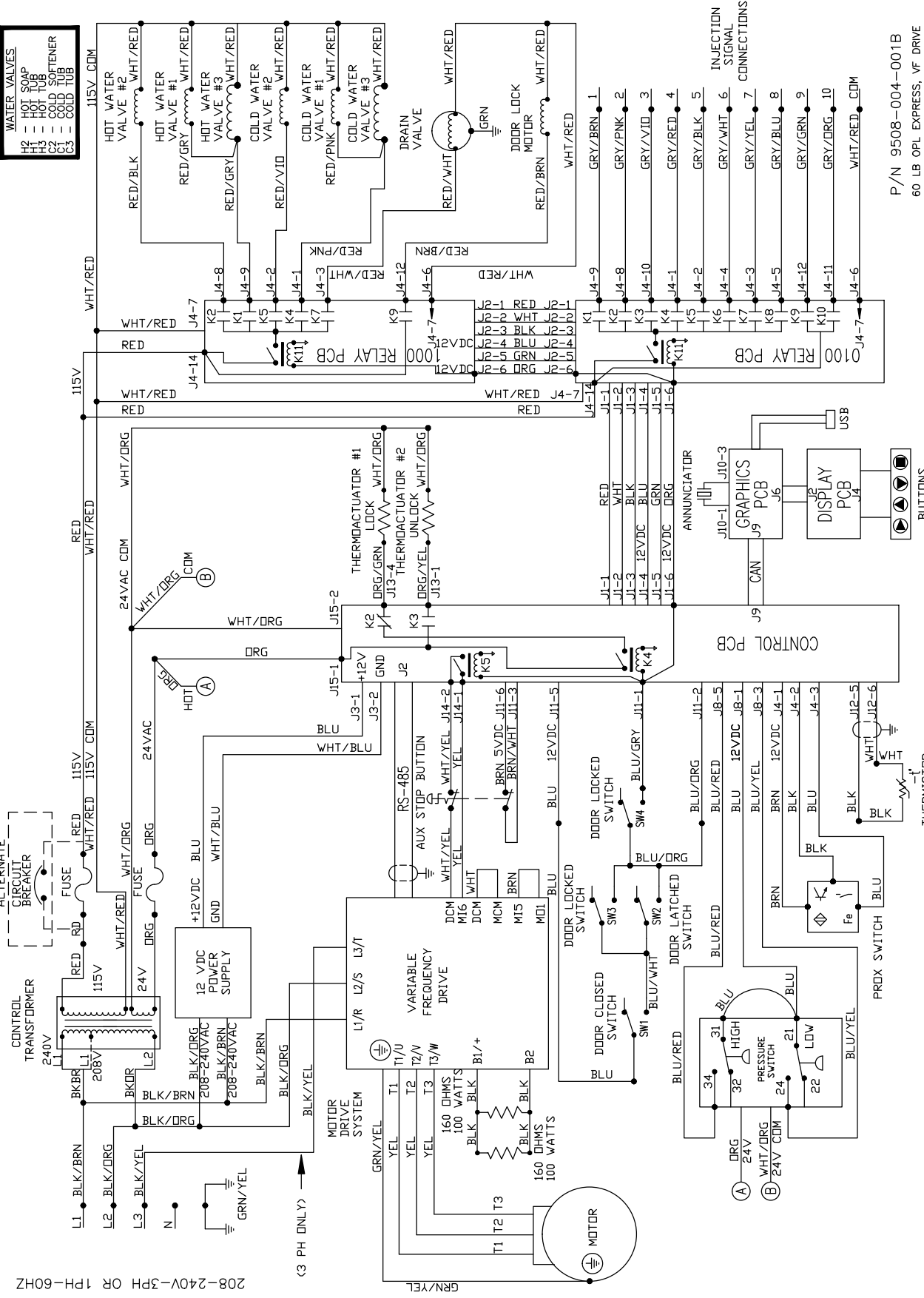
# WN0750XB-12EO Diagram



WIRING DIAGRAM 208 - 240V, 1/3PH, 60HZ

P/N 9507-013-001C  
 50 LB OPL EXPRESS VF DRIVE  
 WNOTOK-12.0.X-...X

# WN0950XB-12EO Schematic



208-240V-3PH OR 1PH-60HZ  
 (3 PH ONLY)  
 P/N 9508-004-001B  
 60 LB OPL EXPRESS, VF DRIVE

SCHEMATIC

208-240V-1/3PH-60HZ













## Section :9

### Parts 50Hz

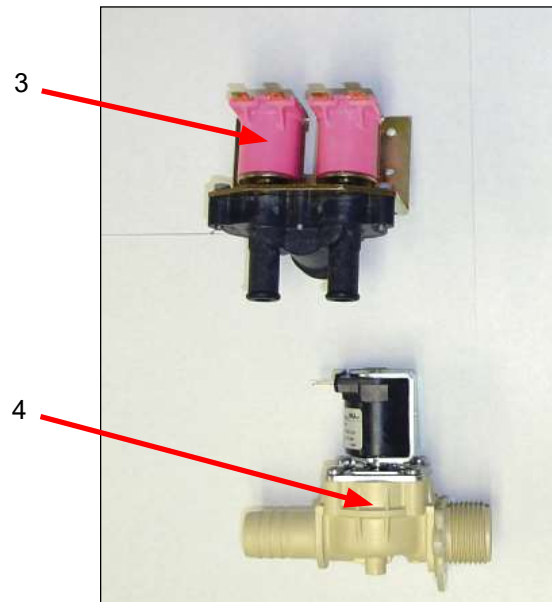
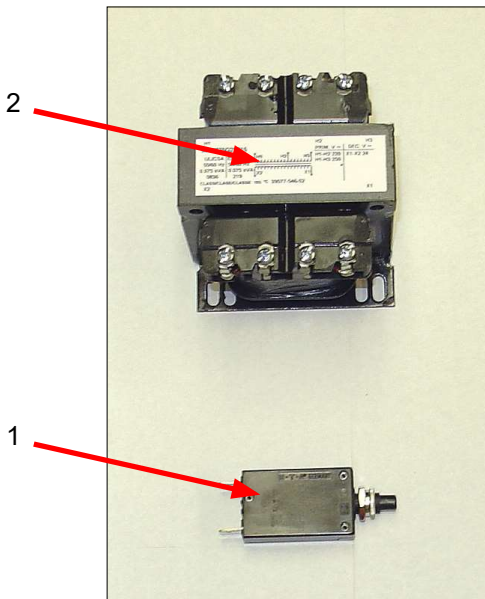
WN0650XB-39XO	230 Volts	60 Hz	Single Phase
WN0750XB-39XO	230 Volts	60 Hz	Single Phase
WN0950XB-39XO	230 Volts	60 Hz	Single Phase
WN1450XB-39XO	230 Volts	60 Hz	Single Phase



## Transformer, Electrical Filter -39 models

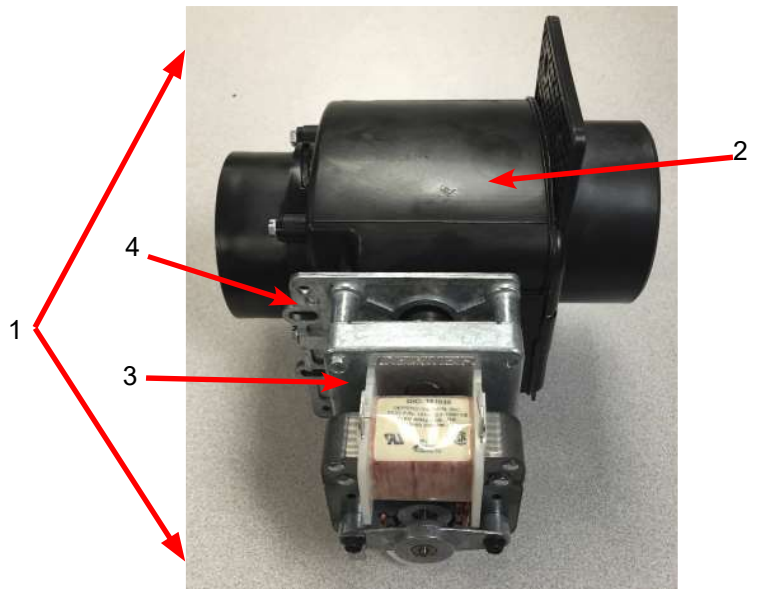
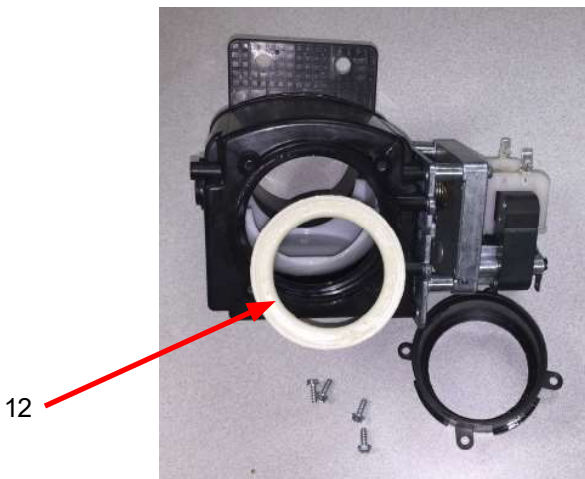
WN0650XB-39XO	230 Volts	50 Hz	Single Phase
WN0750XB-39XO	230 Volts	50 Hz	Single Phase
WN0950XB-39XO	230 Volts	50 Hz	Single Phase
WN01450XB-39XO	230 Volts	50 Hz	Single Phase

Key	Component	T-650	T-750	T-950	T-1450	QTY
1	Circuit Breaker	5198-211-002	5198-211-002	5198-211-002	5198-211-002	1
*	Instructions, Transformer Connect	8507-449-002	8507-449-002	8507-449-002	8507-449-002	1
*	Manual-Opeators	8514-290-001	8514-290-001	8514-290-001	8514-290-001	1
2	Controls Transformer, 200/250-24V 50Hz.	8711-004-004	8711-004-004	8711-004-004	8711-004-004	1
3	Water Valve	9379-183-013	9379-183-013	9379-183-013	9379-183-013	2
	Diaphragm Invensys (EPDM)	9118-049-001	9118-049-001	9118-049-001	9118-049-001	2
	Diaphragm Invensys (Viton)	9118-049-002	9118-049-002	9118-049-002	9118-049-002	2
4	Water Valve Single			9379-194-003	9379-194-003	2
	Diaphragm Mueller			9118-055-001	9118-055-001	1
	Wiring Label , Schematic	9508-027-001	9508-029-001	9508-030-001	9508-032-001	1
	Wiring Harness, Power Terminal Block	9628-001-001	9628-001-001	9628-001-001	9628-001-001	1
	Wiring Harness Main	9628-002-001	9628-002-001	9628-002-001	9628-002-001	1
	Hose Assembly, Inlet	9990-027-014	9990-027-014	9990-027-014	9990-027-014	

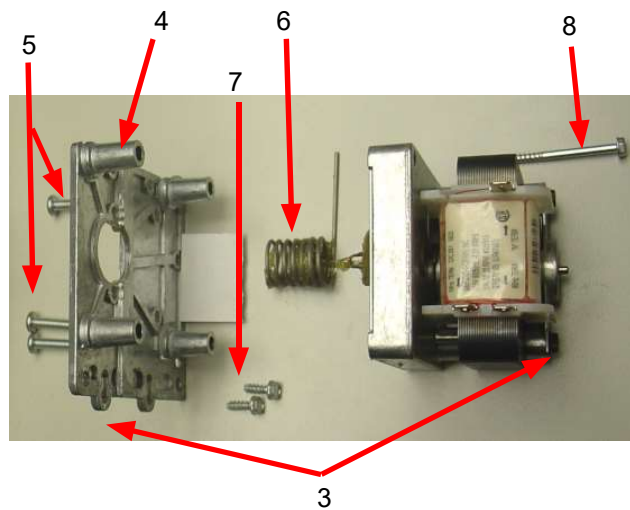


# Drain Valve Group Part 50 HZ

Key	Description	Part Number	Qty
1	Valve, Drain (includes #2 thru #11)	9379-202-002	1
2	Body, Valve (w/ball)	9064-072-001	1
3	Motor & Gear Train (complete)	9914-137-022	1
4	Plate, Motor Mtg	9452-538-001	1
5	Screw	8639-994-001	1
6	Spring, Drive	9534-339-001	1
7	Screw	9545-054-001	1
8	Screw	9545-054-002	1
9	Seal, V Packer	9532-134-001	1
10	Washer	8641-584-001	1
11	Pin, Main Drive	9451-196-001	1
*	Plate (spacers needed for replacement motor mtg. plate)	9538-149-001	1
12	Kit - Seal Replacement	9732-327-001	1

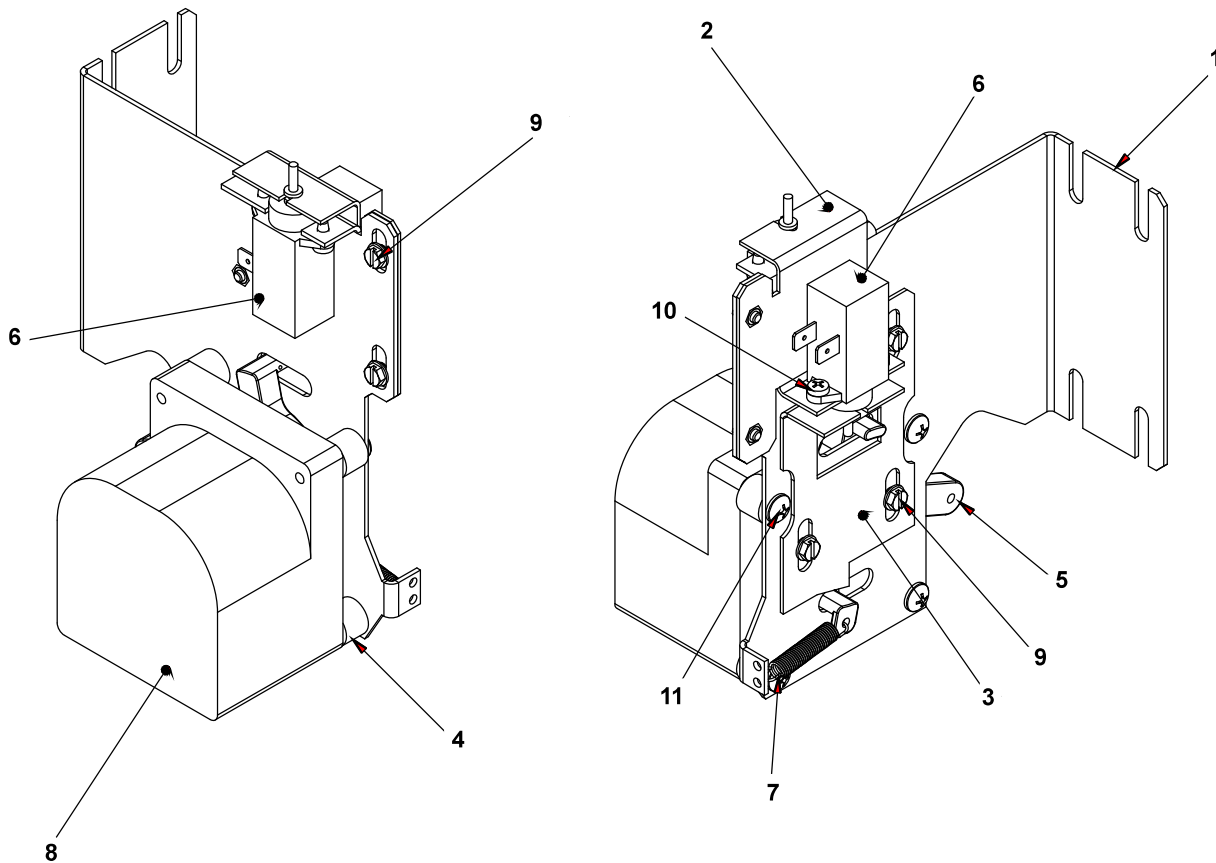


9, 10, 11



3

# Gear Motor Door Lock Assembly 24VAC

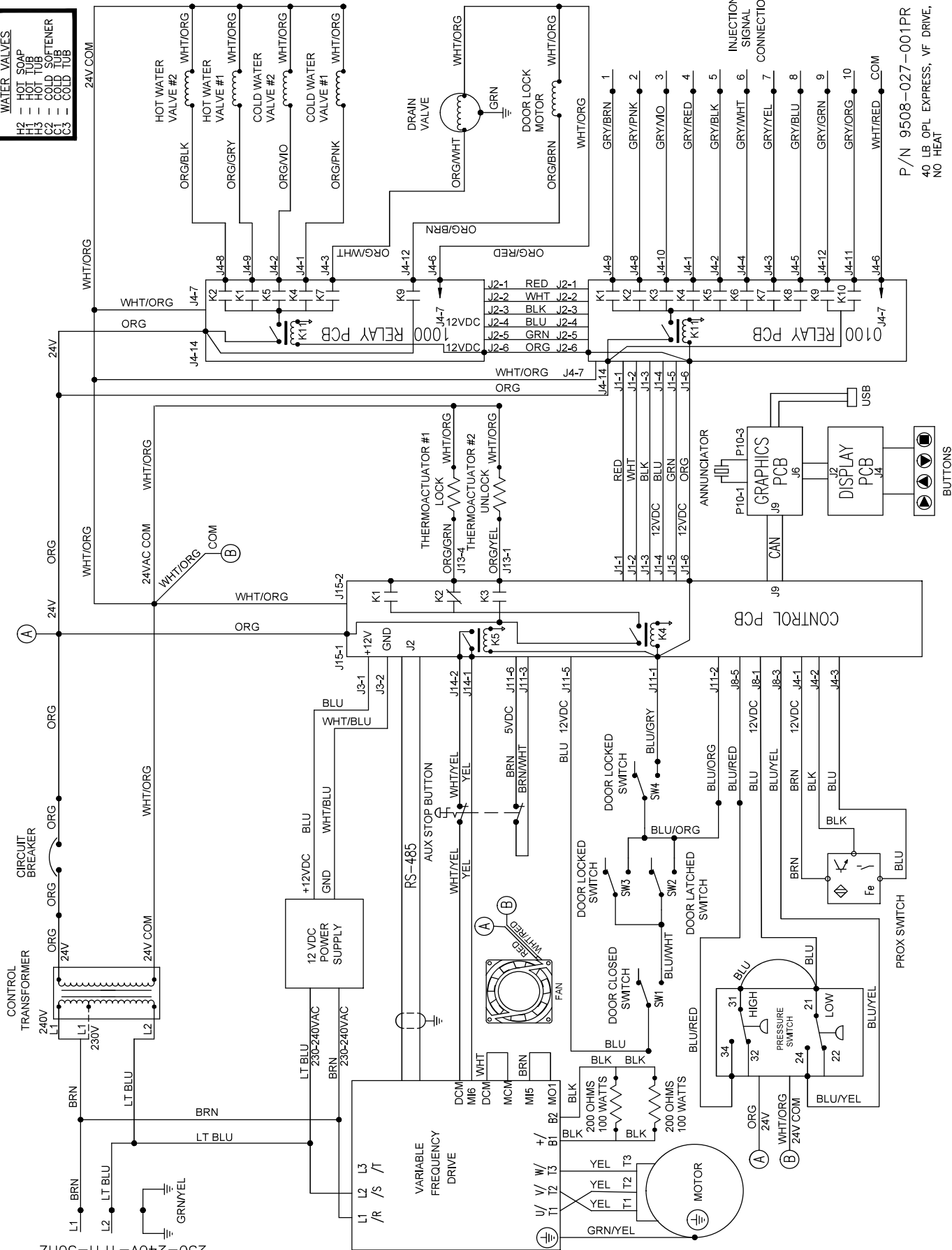


Key	Description	T-650	T-750	T-950	T-1450	QTY
*	Actuator Assembly (Includes 1-10, Rod NOT included)	9892-015-002	9892-015-002	9892-015-002	9892-015-002	1
1	Bracket Assy, Slide - Unlock	9985-190-001	9985-190-001	9985-190-001	9985-190-001	1
2	Bracket Assy, Slide - Unlock	9985-189-001	9985-189-001	9985-189-001	9985-189-001	1
3	Bracket Slide Lock	9029-204-001	9029-204-001	9029-204-001	9029-204-001	1
4	Spacer, Plastic	9538-157-021	9538-157-021	9538-157-021	9538-157-021	4
5	Arm - Door Lock	9001-063-001	9001-063-001	9001-063-001	9001-063-001	1
6	Thermoactuator - Door Lock Relay 24VAC	9586-001-003	9586-001-003	9586-001-003	9586-001-003	2
7	Spring - Extension	9534-350-001	9534-350-001	9534-350-001	9534-350-001	1
8	Motor & Gear Assembly 24VAC	9914-137-014	9914-137-014	9914-137-009	9914-137-009	1
9	Screw -HxwshrhdsIsems, 6-32 x 3/16	9545-044-003	9545-044-003	9545-044-003	9545-044-003	6
10	Cross Recessed PAn Hd Tapping screw	9545-031-011	9545-031-011	9545-031-011	9545-031-011	4
11	Screw Pnhdcr, 10-32 UNFx0 .75	9545-012-029	9545-012-029	9545-012-029	9545-012-029	4
*	Rod, Door Lock	9497-225-017	9497-225-013	9497-225-015	9497-225-016	1



# WN0650XB-39XO Schematic

WATER VALVES	
H2	HOT SOAP
H1	HOT TUB
H3	HOT TUB
C2	COLD SOFTENER
C1	COLD TUB
C3	COLD TUB



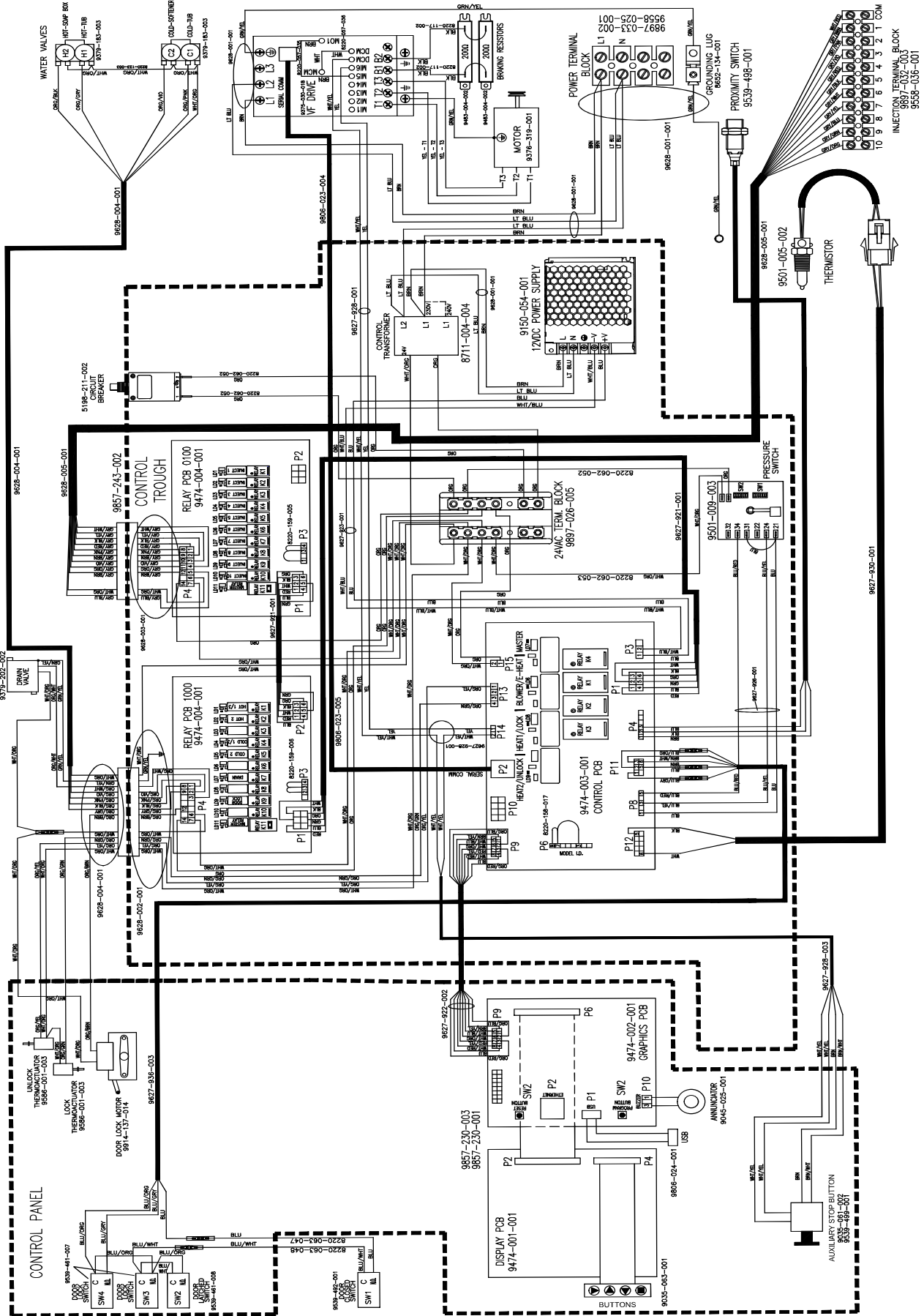
P/N 9508-027-001PR  
40 LB OPL EXPRESS, VF DRIVE,  
NO HEAT

SCHEMATIC

230-240V-1PH-50HZ



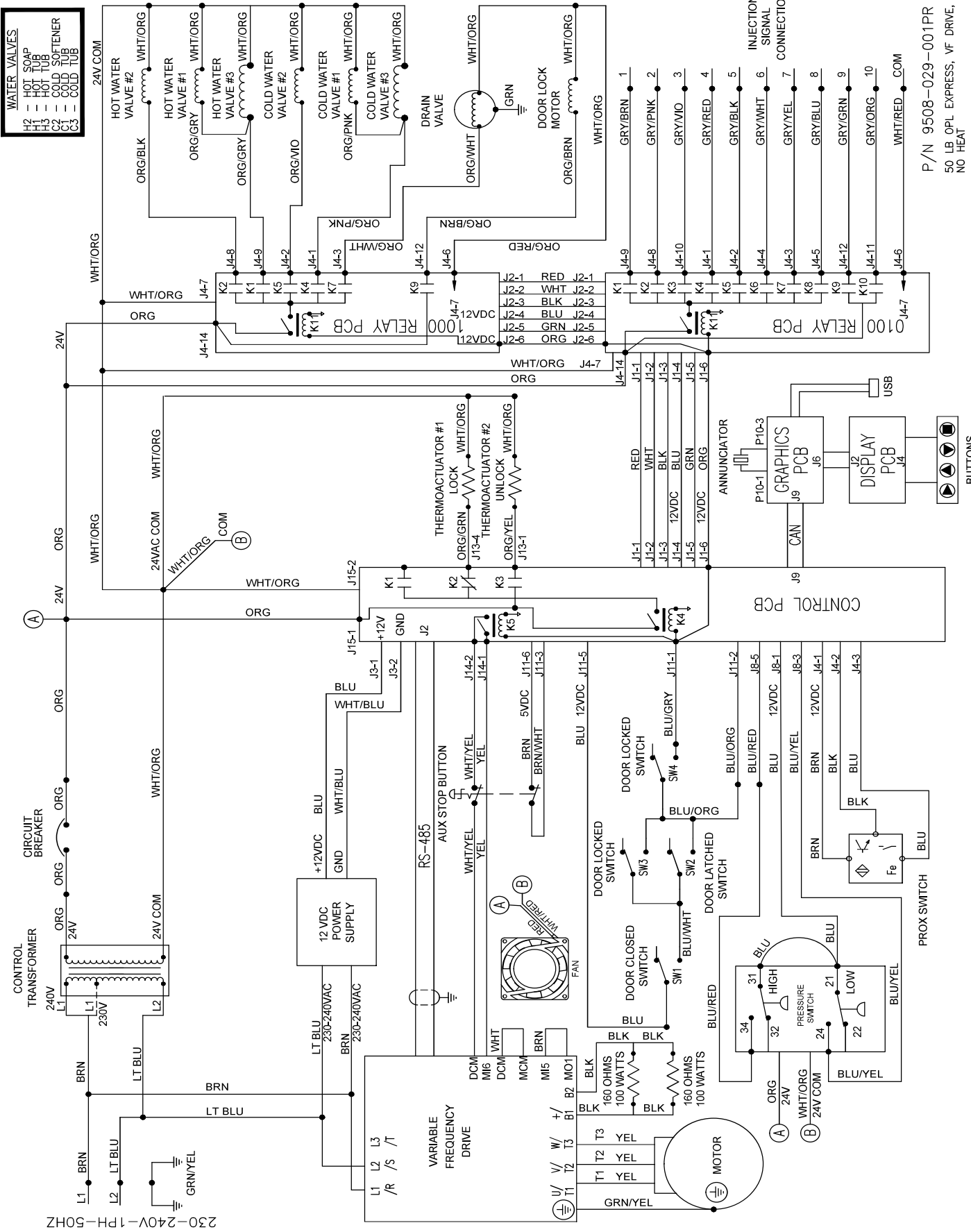
# WN0650XB-39XO Diagram



P/N 9507-027-001PR  
 40 LB GPH EXPRESS VF DRIVE  
 NO HEAT  
 WN0650XB-39\_X\_O\_-----X

WIRING DIAGRAM 230 - 240V, 1PH, 50HZ

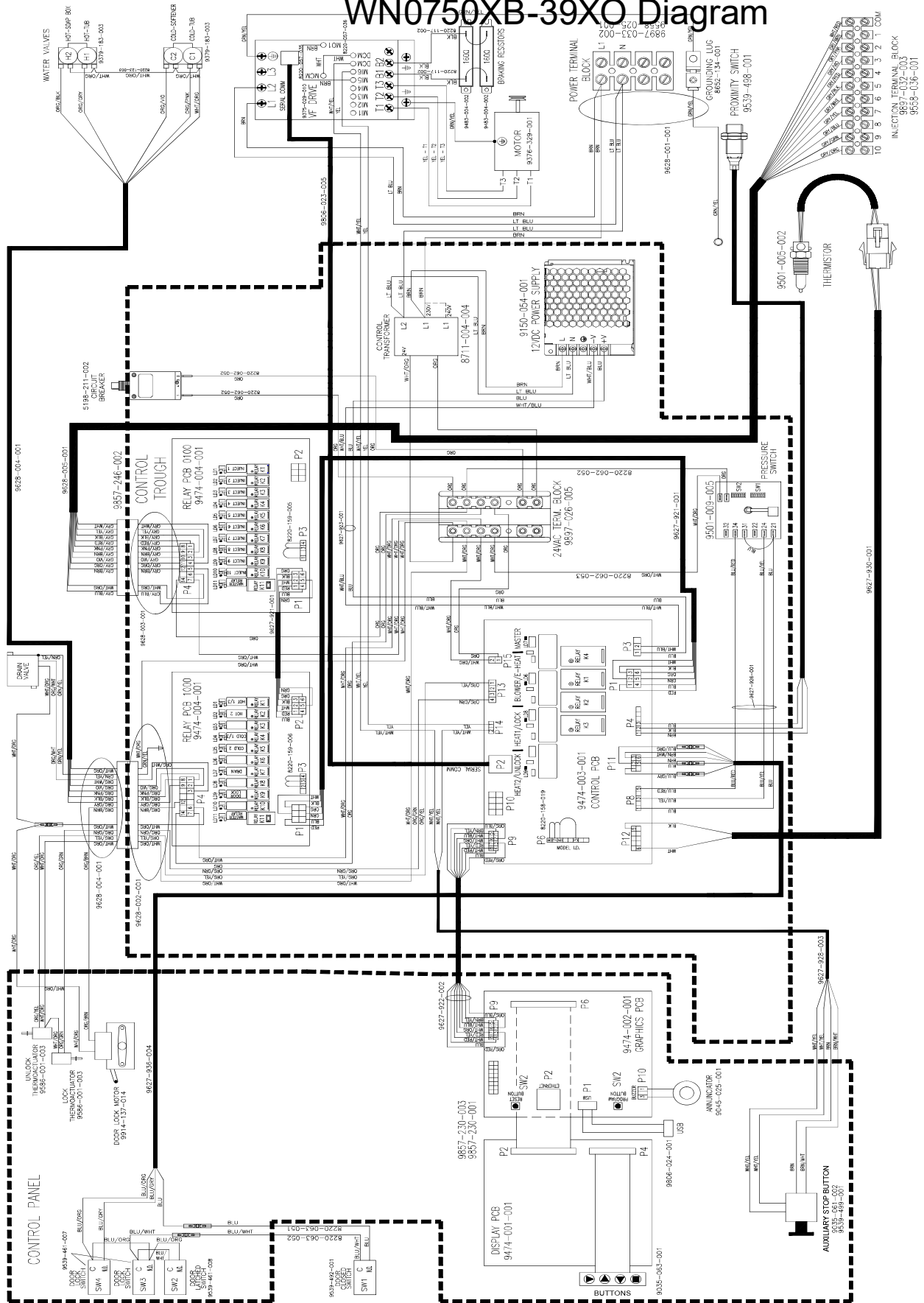
# WN0750XB-39XO Schematic



P/N 9508-029-001PR  
50 LB OPL EXPRESS, VF DRIVE, NO HEAT

SCHEMATIC 230-240V-1PH-50HZ

# WN0750XB-39XO Diagram

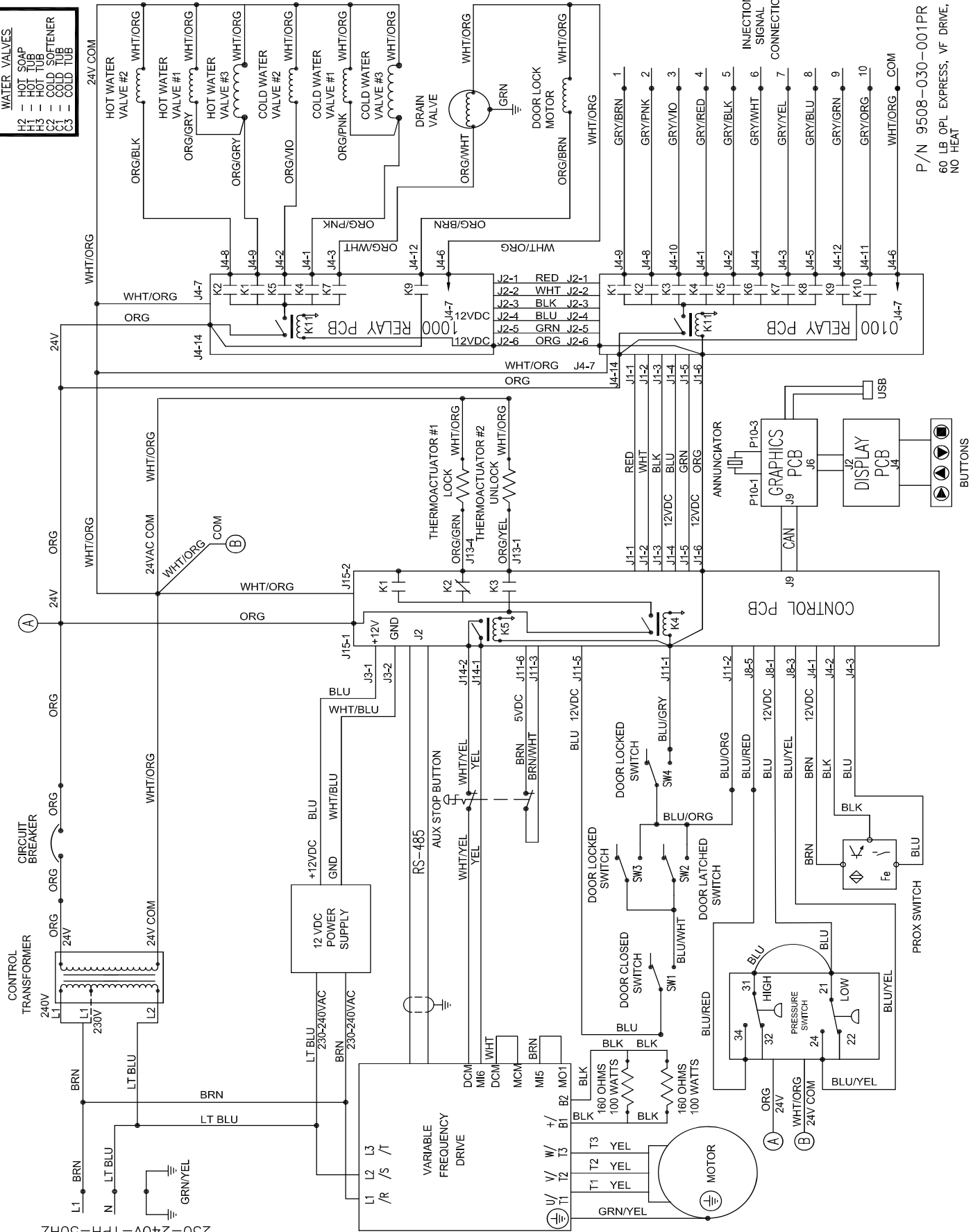


P/N 9507-029-001A  
50 LB OPL EXPRESS VF DRIVE  
NO HEAT  
WN0750XA-39\_0\_X-\_\_\_\_-X

WIRING DIAGRAM 230 - 240V, 1PH, 50HZ

# WN0950XB-39XO Schematic

WATER VALVES	
H2	HOT SOAP
H3	HOT TUB
C2	COLD SOFTENER
C1	COLD TUB
C3	COLD TUB



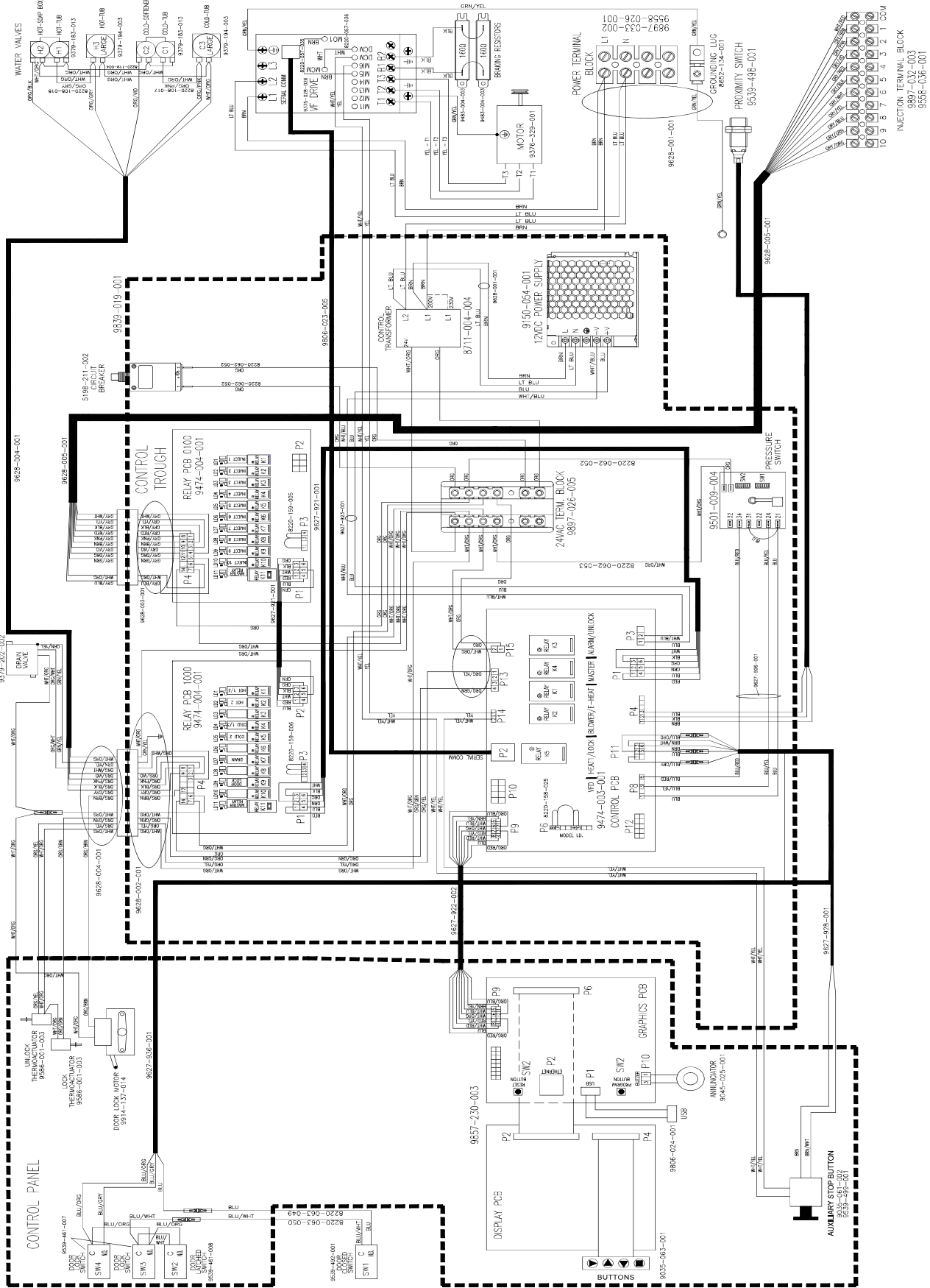
SCHEMATIC

230-240V-1PH-50HZ

P/N 9508-030-001PR  
60 LB OPL EXPRESS, VF DRIVE,  
NO HEAT

BUTTONS

# WN0950XB-39XO Diagram

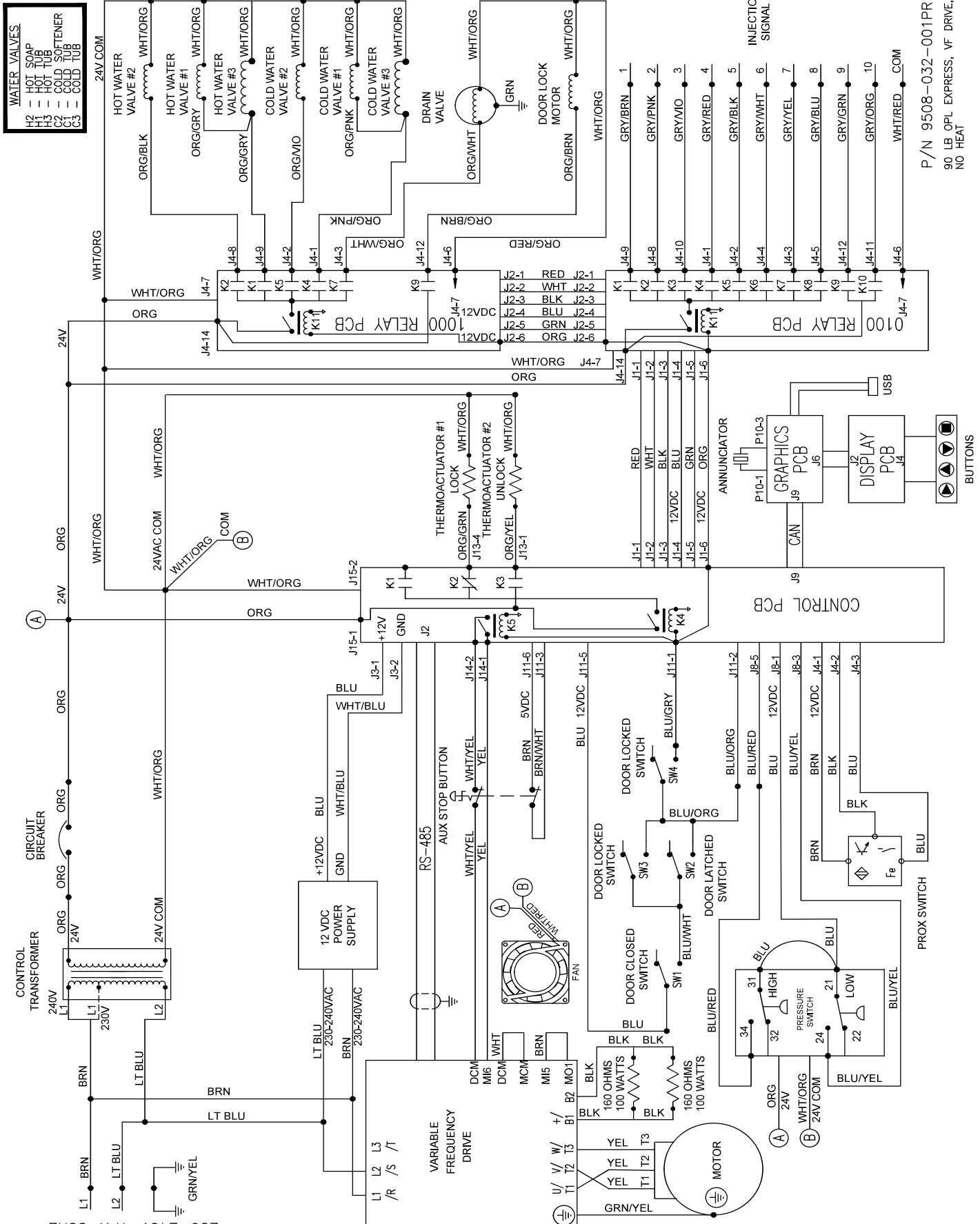


P/N 9507-030-001A  
60 LB CPL. EXPRESS. WF BRKE  
NO HEAT  
WN0950XB-39\_XO

WIRING DIAGRAM 200 - 230V, 1PH, 50HZ



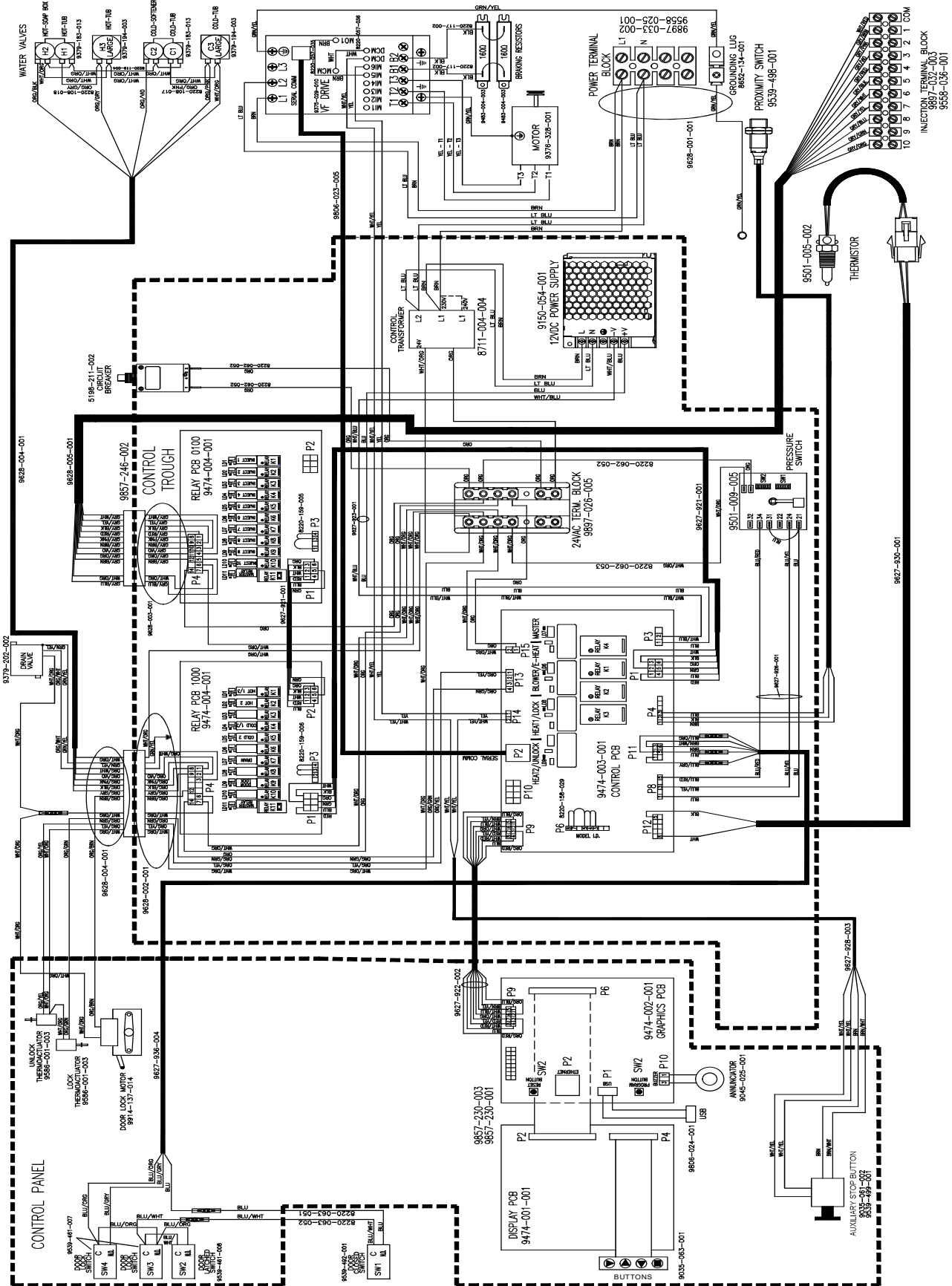
# WN1450XB-39XO Schematic



P/N 9508-032-001PR  
 90 LB. OPL EXPRESS, VF DRIVE,  
 NO HEAT

230-240V-1PH-50HZ  
 SCHEMATIC

# WN1450XB-39XO Diagram



P/N 9507-032-001PR  
 90 LB OPL EXPRESS, VF DRIVE  
 NO HEAT  
 WN1450XB-39\_0\_X-\_\_\_\_-X

WIRING DIAGRAM 230 - 240V, 1PH, 50HZ





# Section :10

## Parts Electric

### Heated 60Hz

WN0650EB-13XO	208-240 Volts	60 Hz	3 Phase
WN0950EB-13XO	208-240 Volts	60 Hz	3 Phase

## WN0650XB-13E0 Parts

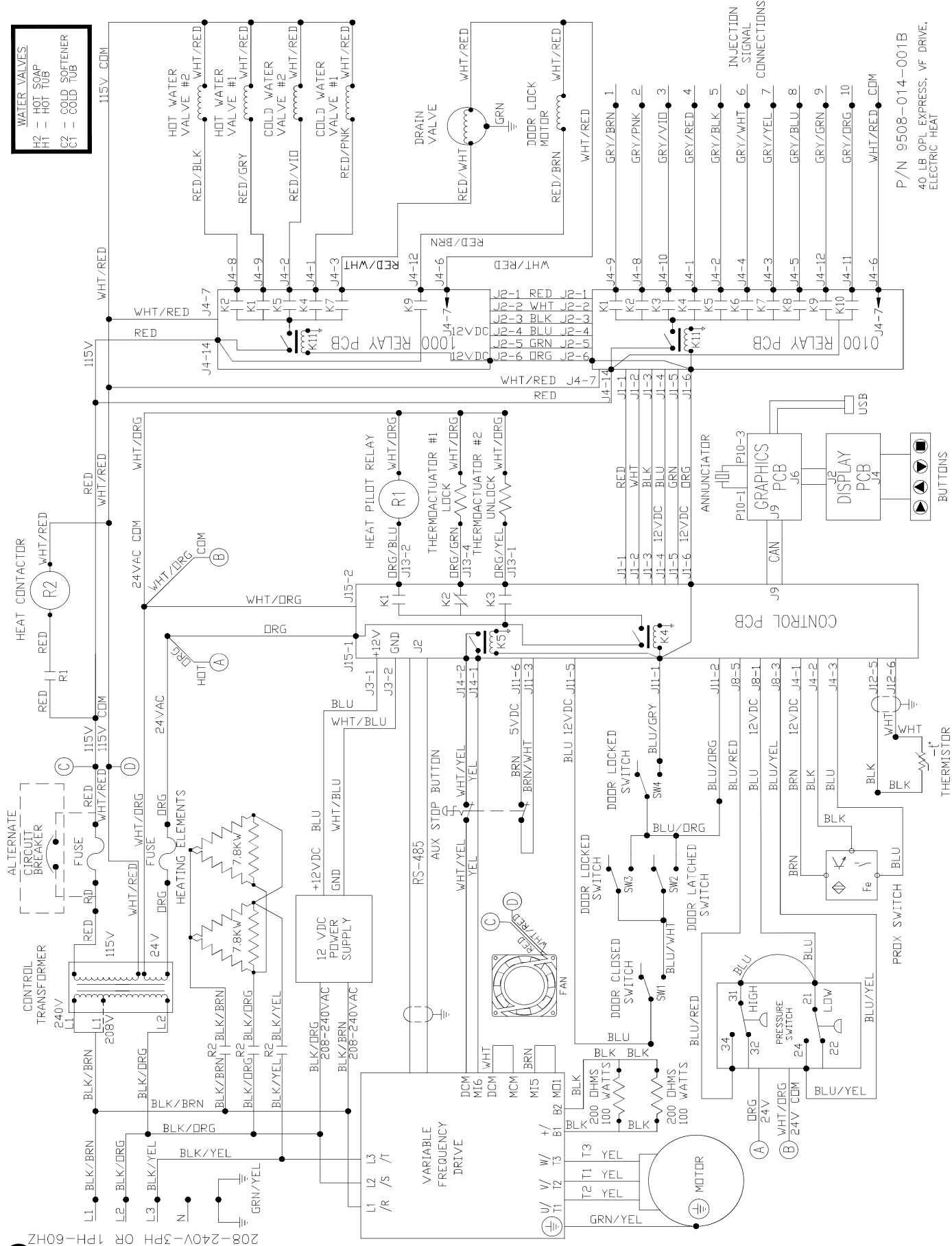
Key	Component	T-650	T-950	QTY
1	LABEL-WARNING,HIGHVOLTAGE	8502-614-004	8502-614-004	2
2	LABEL-QUALITY	8511-001-002	8511-001-002	2
3	LABEL-FUSING&INSTALLATION		8502-619-006	1
4	NUT-HEXKEPS,#8-32	8640-412-005	8640-412-005	13
5	NUT-HEXKEPS,#10-32UNF,2B	8640-413-002	8640-413-002	12
6	LOCKWASHER-EXTTOOTH,#10	8641-582-006	8641-582-006	12
7	BUSHING-INSULATED,1"	9053-067-004	9053-067-004	4
8	STUD-SELFCLINCHING,#10-32X1/2	9531-042-002	9531-042-002	4
9	SCREW-HXWSHRHDUNDCT,#10BX1/2	9545-008-026		77
10	SCREW-HXWSRHDSL,10-32TTX1/2GRN	9545-008-027		8
11	SCREW-PNHDCR,6ABX3/4	9545-031-010	9545-031-010	4
12	TERMINALBLOCKASSEMBLY-POWER	9897-033-002	9897-033-002	2
13	LABEL-FUSING&INSTALLATION	8502-619-006		1
14	NUT-ELASTICSTOP,#6-32	8640-411-002	8640-411-002	4
15	TERMINAL-LUG,SOLDERLESS	8652-134-002	8652-134-002	1
16	ANGLE-SUPPORT,DRIVE(HEATED)	9003-341-001	9003-341-001	1
17	BRACKET-SHIELDMOUNTING	9029-095-001	9029-095-001	1
18	BRACKET-SHIELD,RH	9029-193-001		1
19	COVER-HEATER TERMINALS	9074-331-001	9074-331-001	1
20	COVER-DRIVE (W/FAN)	9074-362-001	9074-362-001	1
21	CHANNEL-REAR,T-650HTD	9081-177-001		1
22	FAN-COOLING,120VAC	9189-012-001	9189-012-001	1
23	GUARD-COOLINGFAN,80X80MM	9208-063-001	9208-063-001	1
24	HOUSING-SUMP,DRAIN,HTD	9241-201-001		1
*	HOUSINGASSEMBLY-SUMP,DRAIN		9803-191-001	1
25	HOSE-DRAIN	9242-459-001		1
26	PLATE-MTG,DRIVE(HTD)	9452-842-001	9452-842-001	1
27	PLATE-BASE,DRIVEMTG(HTD)	9452-843-001	9452-843-001	1
28	WIRINGLABEL-DIAGRAM/INFORM	9507-014-001	9507-005-001	1
29	WIRINGLABEL-SCHEMATIC	9508-014-001	9508-005-001	1
30	STRAP-FAN,LANYARD	9544-067-001	9544-067-001	1
31	SCREW-PNHDCR,#8-32X3/4	9545-010-001	9545-010-001	3
32	SCREW-RDHDSLTDMAH,#10-32	9545-012-004	9545-012-004	4
33	SCREW-HXWSHDSL,6BX3/8	9545-031-003	9545-031-003	2
34	SCREW-HXWSHRHD,#6-32X11/2	9545-044-009	9545-044-009	1
35	SCREW-HXWSHRHD,#6-32X5/8	9545-044-012	9545-044-012	3
37	VALVEASSY-DRAIN,T-650HTD,120V	9819-026-003		1
38	CNTRL-TRGH,T650OPL,OHTD-13	9857-243-003		1
39	TUB&CYLASSY-CMP,T-650,OPL-HTD	9869-035-003		1
40	HEATERASSEMBLY	9870-087-001	9870-087-001	6
41	TERMBLKASY-INPUTPWR-13OPLHTD	9897-041-013		1
*	TERMBLKASY-INPUTPWR-13OPLHTD		9897-042-014	1
42	DRIVEASSY-W/BRKT,T-650OPL,HTD	9909-044-004		1
*	DRIVEASSY-W/BRKT,T-950OPL,HTD		9909-047-004	1
43	TUBASY-WELD,T-650,30CYCOPL-HTD	9930-170-001		1
*	TUBASSY-WELD,T-900,ELEC/STMHTD		9930-158-002	1
44	CHANNELASSY-REAR,T-650HTD	9947-033-001		1
*	CHANNELASSY-REAR,T-900/1200HTD		9947-031-001	1



## WN0650XB-13E0 Parts

Key	Component	T-650	T-950	QTY
45	CHNLASY-REAR,CMP,T-650,-13OOPL	9947-043-009		1
*	CHNLASY-REAR,CMP,T-950,-13OOPL		9947-046-007	1
46	RELAY	5192-285-004	5192-285-004	1
47	RELAY-HEATERS,60AMP	5192-291-001	5192-291-001	1
48	WIREASY-GRN/YEL,4"	8220-001-484		5
*	WIREASY-GRN/YEL,4"		8220-001-484	8
49	WIREASY-RED,19"	8220-063-040	8220-063-040	1
50	WIREASY-WHT/ORG,9"	8220-063-041	8220-063-041	1
51	WIREASY-GRN/YEL,11"	8220-064-055	8220-064-055	1
52	WIREASY-WHT/RED,81/2"	8220-064-066	8220-064-066	1
53	WIREASY-RED,17"	8220-078-025	8220-078-025	1
54	WIREASY-JUMPER,BLK/YEL,4-8"	8220-085-004		2
*	WIREASY-JUMPER,BLK/YEL,4-8"		8220-085-004	3
55	WIREASY-JUMPER,BLK/ORG,6-8"	8220-085-005		2
*	WIREASY-JUMPER,BLK/ORG,6-8"		8220-085-005	3
56	WIREASY-JUMPER,BLK/BRN,4-8"	8220-085-006		2
*	WIREASY-JUMPER,BLK/BRN,4-8"		8220-085-006	3
57	WIREASY-RED,40"	8220-154-001	8220-154-001	1
58	WIREASY-WHT/RED,40"	8220-154-004	8220-154-004	1
59	WIREASY,2.0,T-650HTD/T-80NRELC	8220-158-018		1
60	WIRINGHARNESS-PWRSUP,V2.0,HTD	9627-923-002	9627-923-002	1
61	WIRINGHARNESS-MAIN,2.0HTDWSHR	9627-925-001	9627-925-001	1
62	WIRINGHARNESS-PWRTRMBLK,2.0WSH	9627-931-001	9627-931-001	1
63	WIREASY,2.0,T-950/T-120STEAM		8220-158-025	1
64	WIRINGHARNESS-HEATERASY,V2.0	9627-942-001	9627-942-001	1
65	SCREW-HXWSHRHDUNDC, #10BX1/2		9545-008-026	82
66	SCREW-HXWSRHDSL,10-32TTX1/2GRN		9545-008-027	7
67	SCREW-HXWSHD,1/4BX3/4		9545-030-002	9
68	WIREASY,2.0,T-950HTD/T-120GAS		8220-158-026	1
69	CHANNEL-REAR,T-900/1200,HTD		9081-175-001	1
70	HOUSING-SUMP,DRAIN		9241-185-001	1
71	CNTRL-TRGH,T950OPL,OHTD,-13		9857-245-003	1
72	TUB&CYLASY-CMPLT,T-950HTDOPL		9869-027-005	1
73	STRAP-BEADEDTIE		9544-041-002	2
74	SCREW-HXWSHDSL,10BX1/4		9545-008-001	2
75	CLAMP-HOSE		8654-117-017	2

# WN0650EB-13XO Schematic

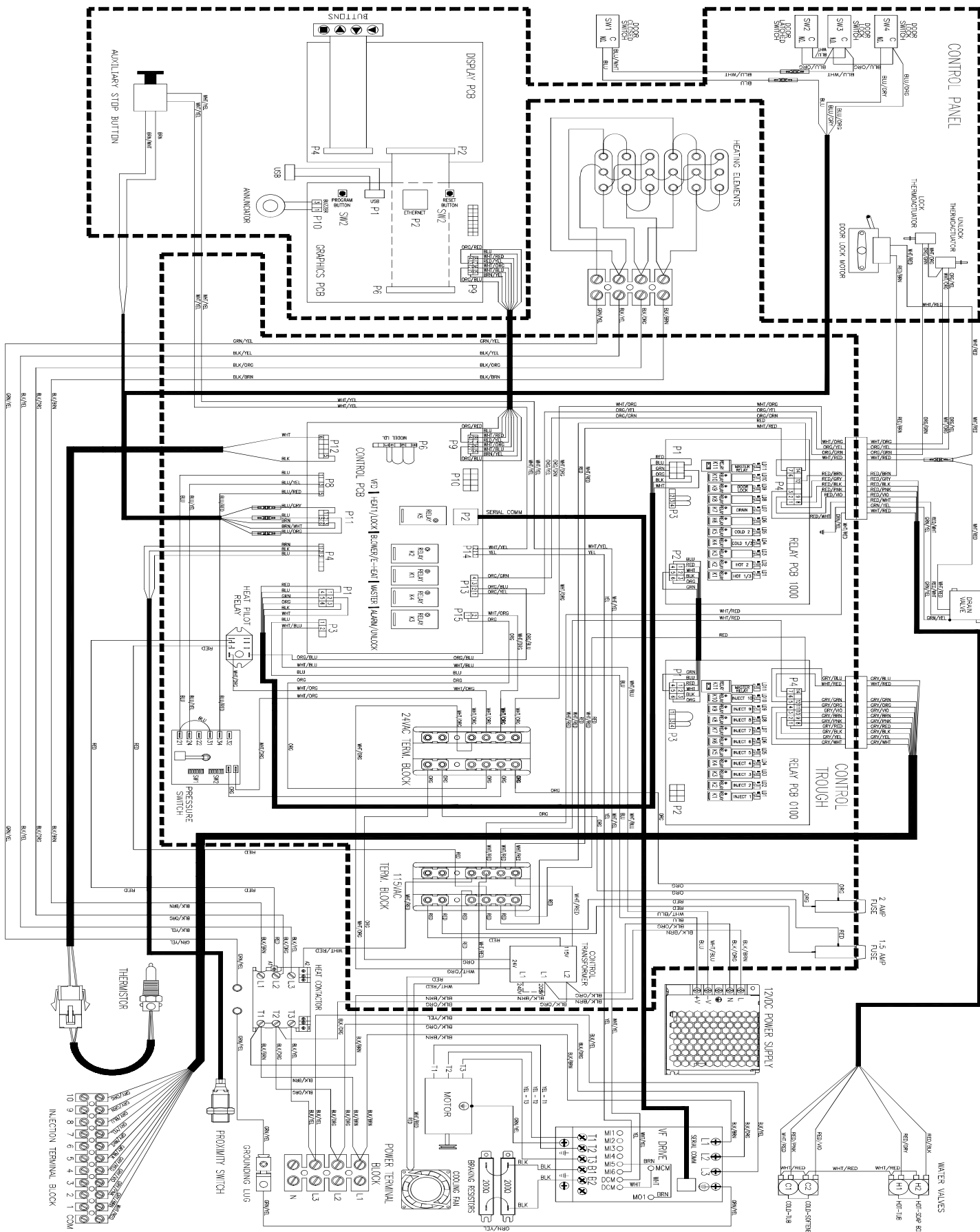


**WATER VALVES**  
 H2 - HOT SOAP  
 H1 - HOT TUB  
 C2 - COLD SOFTENER  
 C1 - COLD TUB

P/N 9508-014-001B  
 40 LB OPL EXPRESS, VF DRIVE,  
 ELECTRIC HEAT

SCHEMATIC 208-240V-3PH-60HZ

# WN0650EB-13XO Diagram



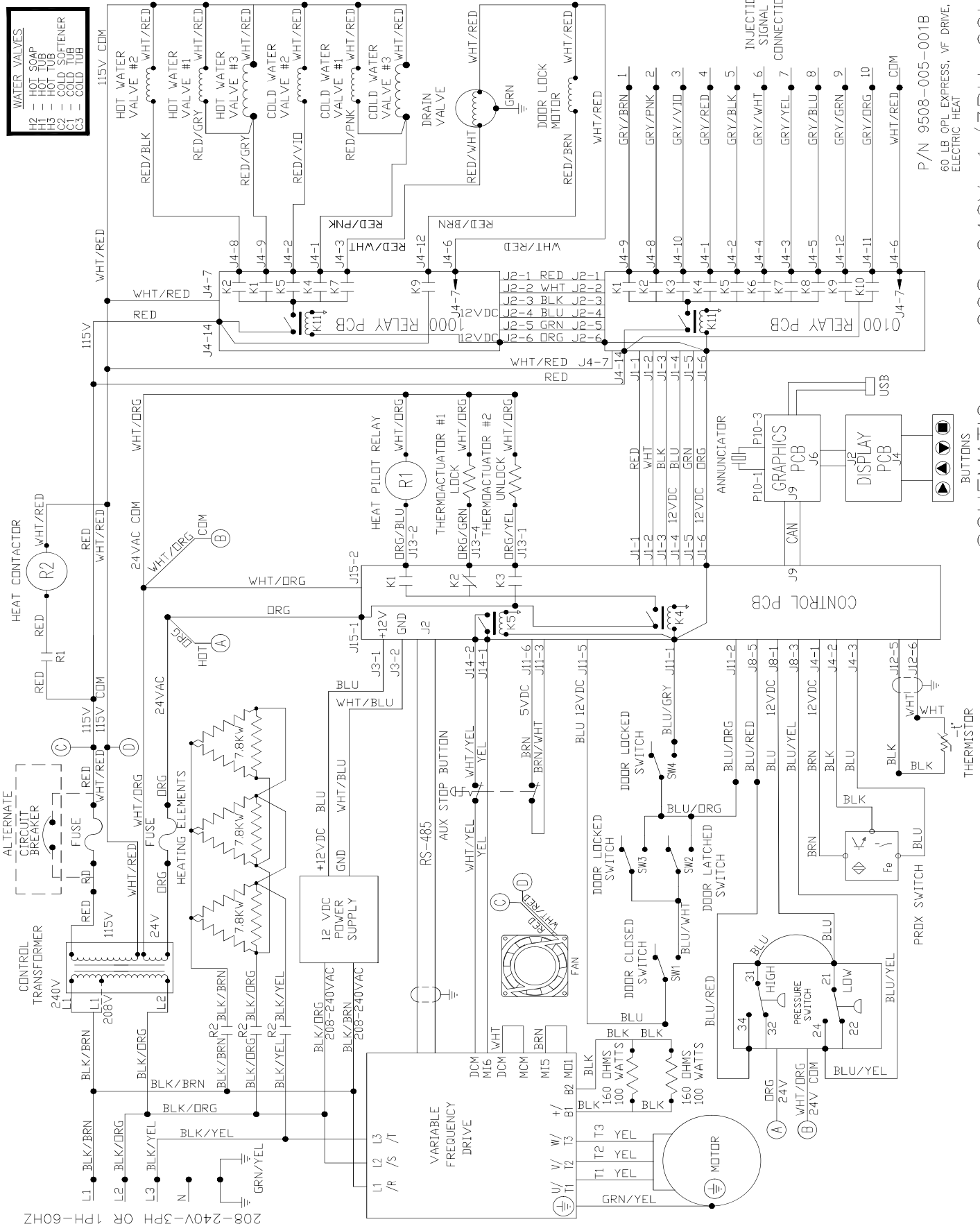
WIRING DIAGRAM

208 - 240V, 3PH, 60HZ

P/N 9507-014-001C  
 40 LB OPL EXPRESS VF DRIVE  
 ELECTRIC HEAT  
 WN0650EB-13.0.X-XXXXXX

# WN0950EB-13XO Schematic

WATER VALVES	
H2	HOT SOAP
H1	HOT TUB
H3	HOT TUB
C2	COLD SOAP
C1	COLD TUB
C3	COLD TUB

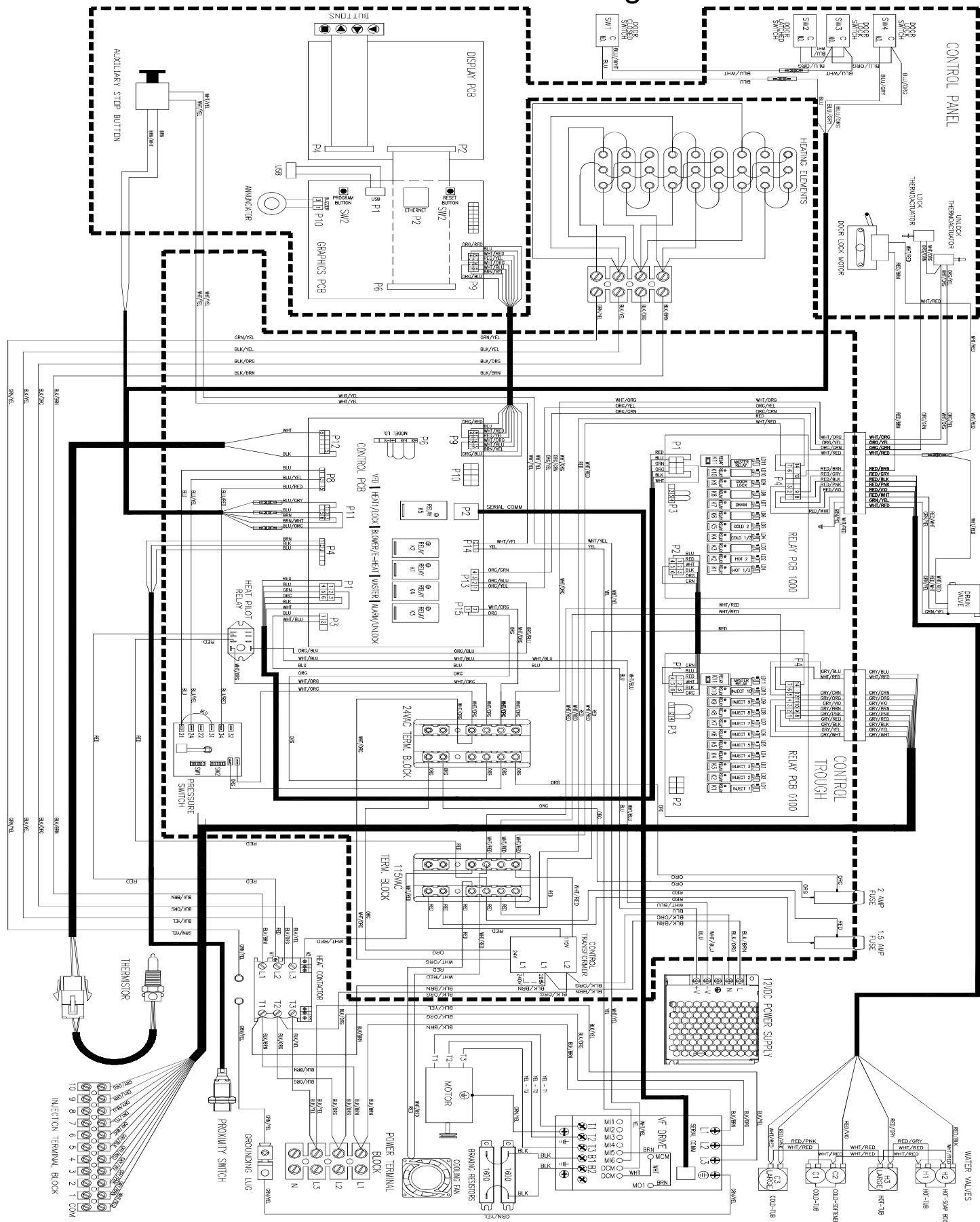


208-240V-3PH OR 1PH-60HZ

P/N 9508-005-001B  
60 LB OPL EXPRESS, VF DRIVE,  
ELECTRIC HEAT

SCHEMATIC 208-240V-1/3PH-60HZ

# WN0950EB-13XO Diagram



WIRING DIAGRAM 208 - 240V, 3PH, 60HZ

P/N 9507-005-001C  
 60 LB OPL EXPRESS VF DRIVE  
 ELECTRIC HEAT  
 WN0950EA-13.0.X-...-X







# Section :11

## Parts Electric

### Heated 50Hz

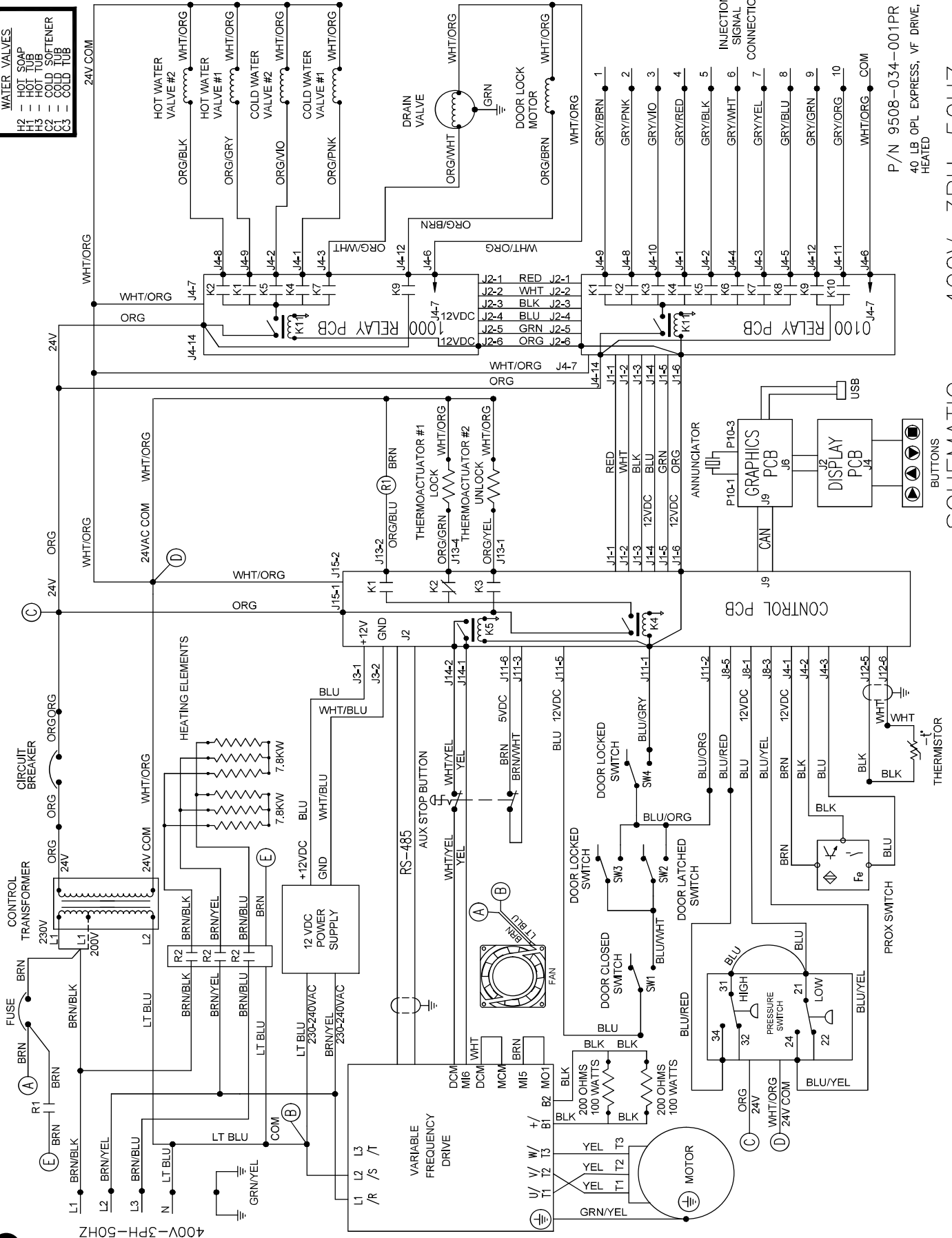
WN0650EB-68XO	400 Volts	50 Hz	3 Phase
WN0950EB-68XO	400 Volts	50 Hz	3 Phase

Key	Component	T-650	T-950	QTY
1	LABEL-WARNING,HIGHVOLTAGE	8502-614-004	8502-614-004	2
2	LABEL-QUALITY	8511-001-002	8511-001-002	2
3	SEALER-PIPE	8538-132-000		1
4	NUT-HEXKEPS,#8-32	8640-412-005	8640-412-005	12
5	NUT-HEXKEPS,#10-32UNF,2B	8640-413-002	8640-413-002	12
6	LOCKWASHER-EXTTOOTH,#10	8641-582-006	8641-582-006	12
7	BUSHING-INSULATED,1"	9053-067-004	9053-067-004	4
8	STUD-SELFCLINCHING,#10-32X1/2	9531-042-002	9531-042-002	4
9	SCREW-HXWSHRHDUNDCT,#10BX1/2	9545-008-026	9545-008-026	77
10	SCREW-HXWSRHDSDL,10-32TTX1/2GRN	9545-008-027	9545-008-027	8
11	SCREW-PNHDCR,6ABX3/4	9545-031-010	9545-031-010	4
12	TERMINALBLOCKASSEMBLY-POWER	9897-033-002	9545-030-002	2
13	RELAY	5192-285-004	5192-285-004	1
14	RELAY-HEATERS,40AMP(240VAC)	5192-290-002		1
*	RELAY-HEATERS,60AMP		5192-291-002	
15	WIREASY-GRN/YEL,4"	8220-001-484	8220-001-484	5
16	WIREASY-BRN/BLK,8"	8220-059-005	8220-059-005	1
17	WIREASY-BRN/YEL,8"	8220-059-006	8220-059-006	1
18	WIREASY-BRN/BLU,8"	8220-059-007	8220-059-007	1
19	WIREASY-WHT/ORG,9"	8220-063-041	8220-063-041	1
20	WIREASY-GRN/YEL,11"	8220-064-055	8220-064-055	1
21	WIREASY-BRN,19"	8220-073-009	8220-073-009	1
22	WIREASY-LTBLU,81/2"	8220-076-002	8220-076-002	1
23	WIREASY-BRN,17"	8220-078-028	8220-078-028	1
24	WIREASY-BRN/BLK,8"	8220-084-004	8220-084-004	1
25	WIREASY-BRN/YEL,8"	8220-084-005	8220-084-005	1
26	WIREASY-BRN/BLU,8"	8220-084-006	8220-084-006	1
27	WIREASY-BRN,6"	8220-108-019	8220-108-019	1
28	WIREASY,2.0,T-650HTD/T-80NRELC	8220-158-018		1
*	WIREASY,2.0,T-950HTD/T-120GAS		8220-158-026	1
29	LABEL-FUSING&INSTALLATION	8502-619-008	8502-619-006	1
30	LABEL-FUSE,1.5A	8502-716-001	8502-716-001	1
31	FUSE-1.5A,FAST,1/4X1-1/4	8636-018-001	8636-018-001	1
32	NUT-ELASTICSTOP,#6-32	8640-411-002	8640-411-002	1
33	TERMINAL-LUG,SOLDERLESS	8652-134-002	8652-134-002	4
34	ANGLE-SUPPORT,DRIVE(HEATED)	9003-341-001	9003-341-001	1
35	BRACKET-SHIELDMOUNTING	9029-095-001	9029-095-001	1
36	BRACKET-SHIELD,RH	9029-193-001		1
37	COVER-HEATER TERMINALS	9074-331-001	9074-330-001	1
38	COVER-DRIVE (W/FAN)	9074-362-001	9074-362-001	1
39	CHANNEL-REAR,T-650HTD	9081-177-001		1
40	FAN-COOLING,230VAC	9189-012-002	9189-012-002	1
41	FUSEHOLDERASSEMBLY	9200-001-002	9200-001-002	1
42	GUARD-COOLINGFAN,80X80MM	9208-063-001	9208-063-001	1
43	HOUSING-SUMP,DRAIN,HTD	9241-201-001	9241-185-001	1
44	HOSE-DRAIN	9242-459-001		1
45	PLATE-MTG,DRIVE(HTD)	9452-842-001	9452-842-001	1
46	PLATE-BASE,DRIVEMTG(HTD)	9452-843-001	9452-843-001	1
47	WIRINGLABEL-DIAGRAM/INFORM	9507-034-001	9507-035-001	1
48	WIRINGLABEL-SCHEMATIC	9508-034-001	9508-035-001	1

Key	Component	T-650	T-950	QTY
1	STRAP-FAN,LANYARD	9544-067-001	9544-067-001	1
2	SCREW-PNHDCR,#8-32X3/4	9545-010-001	9545-010-001	2
3	SCREW-RDHDSLTDMAH,#10-32	9545-012-004	9545-012-004	4
4	SCREW-HXWSHDSL,6BX3/8	9545-031-003	9545-031-003	2
5	SCREW-HXWSHRHD,#6-32X11/2	9545-044-009	9545-044-009	1
6	SCREW-HXWSHRHD,#6-32X5/8	9545-044-012	9545-044-012	3
7	WIRINGHARNES-PWRSUP,V2.0,HTD	9627-923-002	9627-923-002	1
8	WIRINGHARN-PWR/VFD/PS,50HZHTD	9628-007-001	9628-007-001	1
9	WIRINGHARNES-HEATASY,2.0,50HZ	9628-008-001	9628-008-001	1
10	WIRINGHARNES-MAIN,HTD,2.0,24V	9628-009-001	9628-009-001	1
11	HOUSINGASSY-SUMP,DRAIN,HTD	9803-219-001	9803-191-001	1
12	VALVEASSY-DRAIN,T-650HTD,24V	9819-026-004		1
13	CNTRL-TRGH.T650OPL,OHTD-68	9857-243-004	9857-245-004	1
14	TUB&CYLASSY-CMP,T-650,OPL-HTD	9869-035-003	9869-027-005	1
15	HEATERASSEMBLY	9870-087-001	9870-087-001	6
16	TERMBLKASY-INPUTPWR-68OPLHTD	9897-041-014	9897-042-015	1
17	DRIVEASSY-W/BRKT,T-650OPL,HTD	9909-044-004	9909-047-004	1
18	TUBASY-WELD,T-650, T-950 30CYCOPL-HTD	9930-170-001	9930-158-002	1
19	CHANNELASSY-REAR,T-650, T-950 HTD	9947-033-001	9947-031-001	1
20	CHNLASY-REAR,CMP,T-650, T-950-68OPL	9947-043-010	9947-046-008	1
21	STRAP-BEADEDTIE		9544-041-002	1
22	SCREW-HXWSHDSL,10BX1/4		9545-008-001	4
23	TERMINALBLOCKASSEMBLY-POWER		9897-033-002	1
24	SCREW-HXWSHDSL,6BX3/8		9545-031-003	1
26	CHANNEL-REAR,T-900/1200,HTD		9081-175-001	1

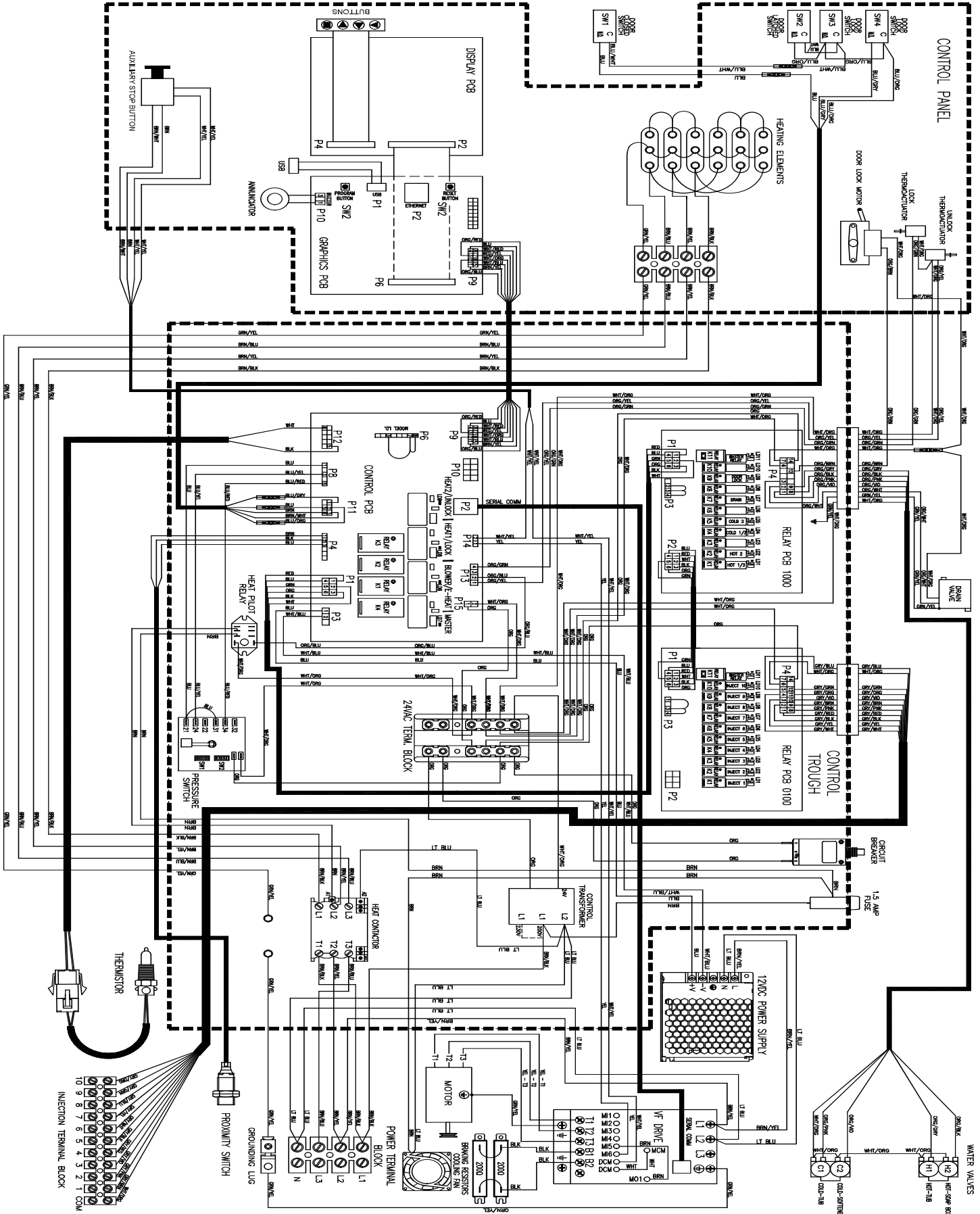
# WN0650EB-68XO Schematic

WATER VALVES	
H2	HOT SOAP
H1	HOT TUB
H3	HOT TUB
C2	COLD SOFTENER
C1	COLD TUB
C3	COLD TUB



SCHEMATIC 400V-3PH-50HZ

# WN0650EB-68XO Diagram



WIRING DIAGRAM

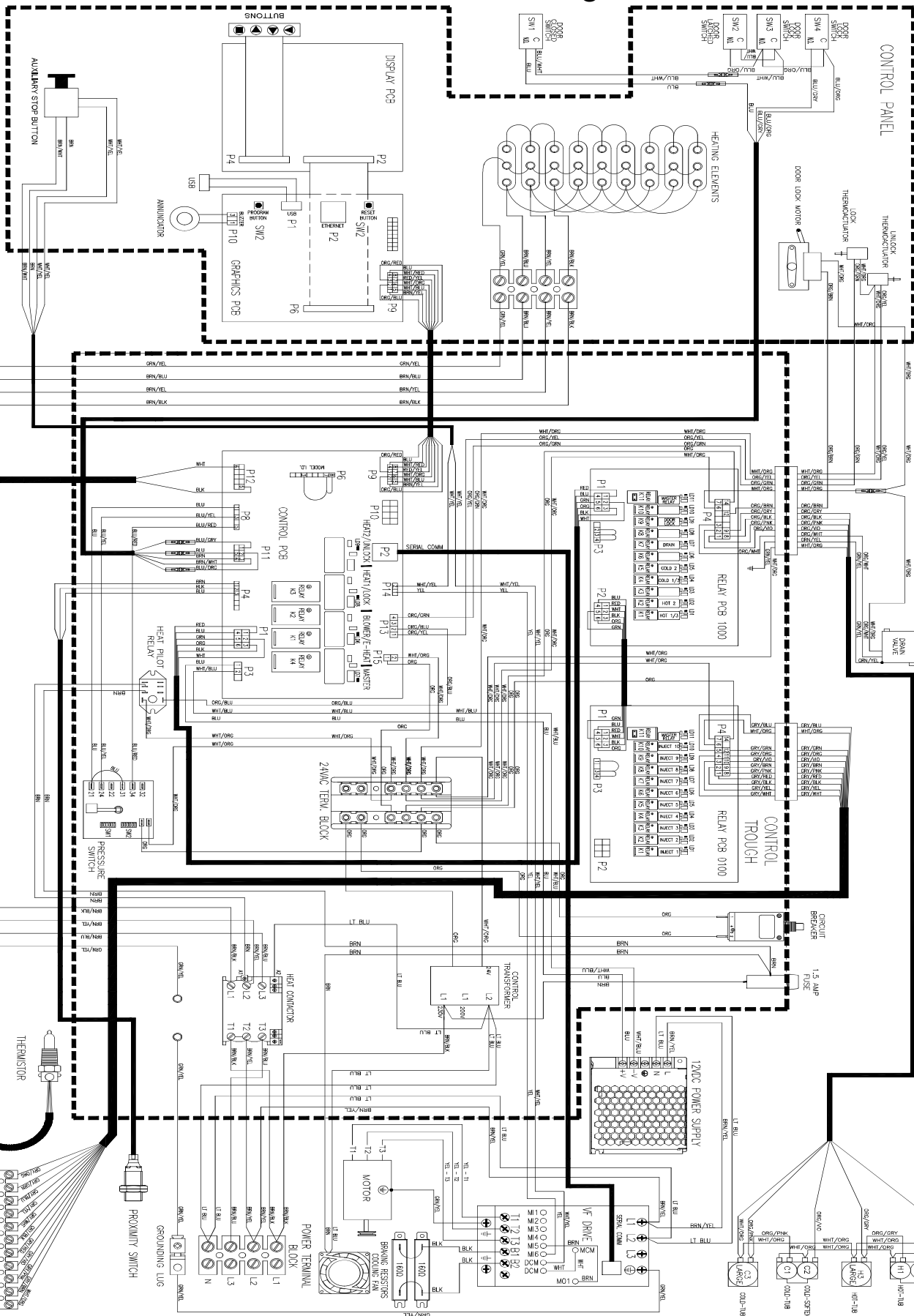
400V, 3PH, 50HZ

P/N 9507-034-001A  
 40 LB OPL EXPRESS VF DRIVE  
 ELECTRIC HEAT  
 WMO500A-68, O, X, X





# WN0950EB-68XO Diagram



WIRING DIAGRAM 400V, 3PH, 50HZ

P/N 9507-035-001A  
60 LB OIL EXPRESS, VF DRIVE  
ELECTRIC HEAT  
WN0950EA-68.0.X-\_\_\_\_\_X

