

WASHER

Repair Parts List

MODEL NUMBER
MFR35PDAVS

When requesting service or ordering parts, always provide the following information:

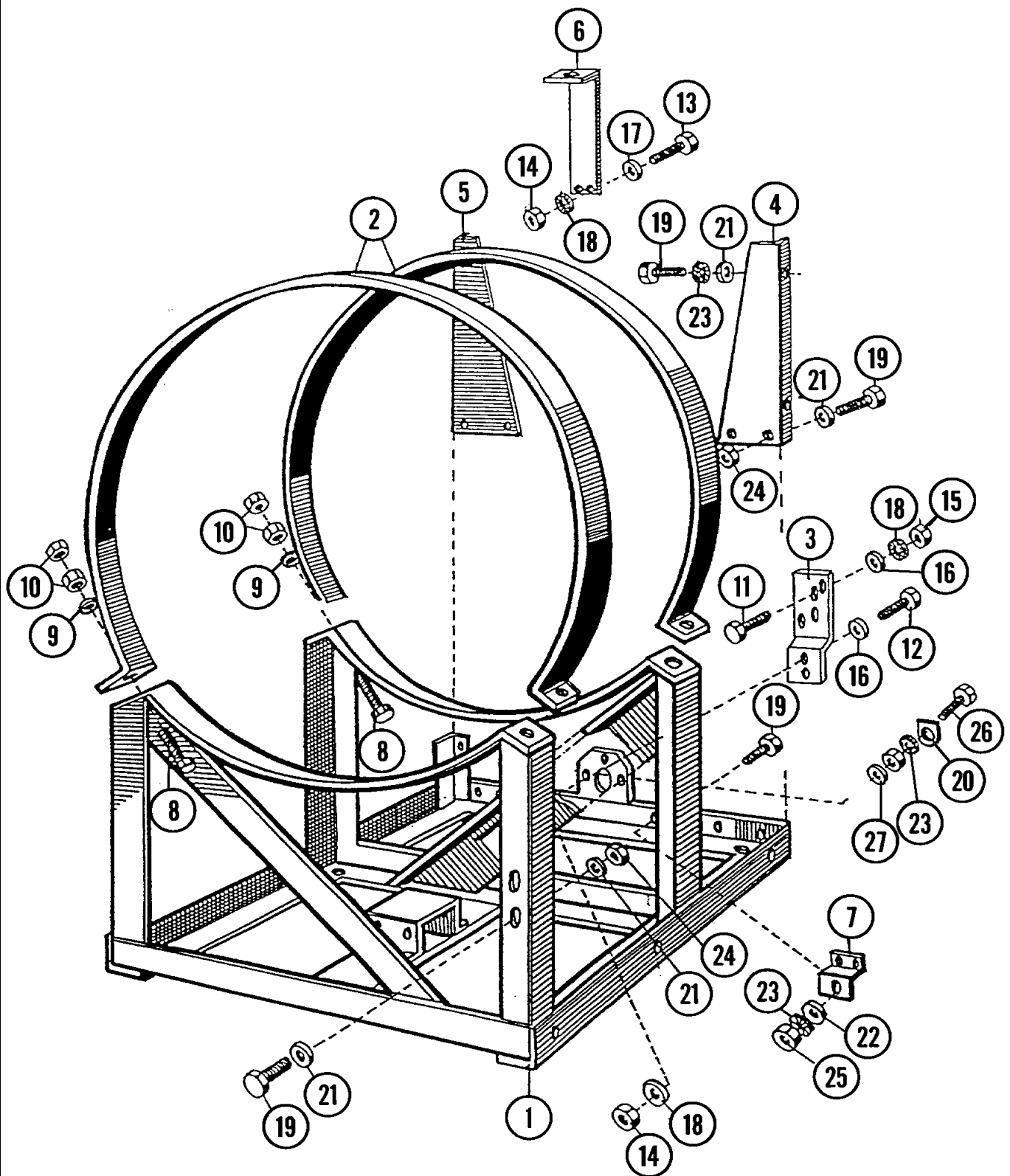
- Product Type
- Part Number
- Model Number
- Part Description

MAYTAG®

©2005 Maytag Services

Section: BASE FRAME

Model: MFR35PDAVS



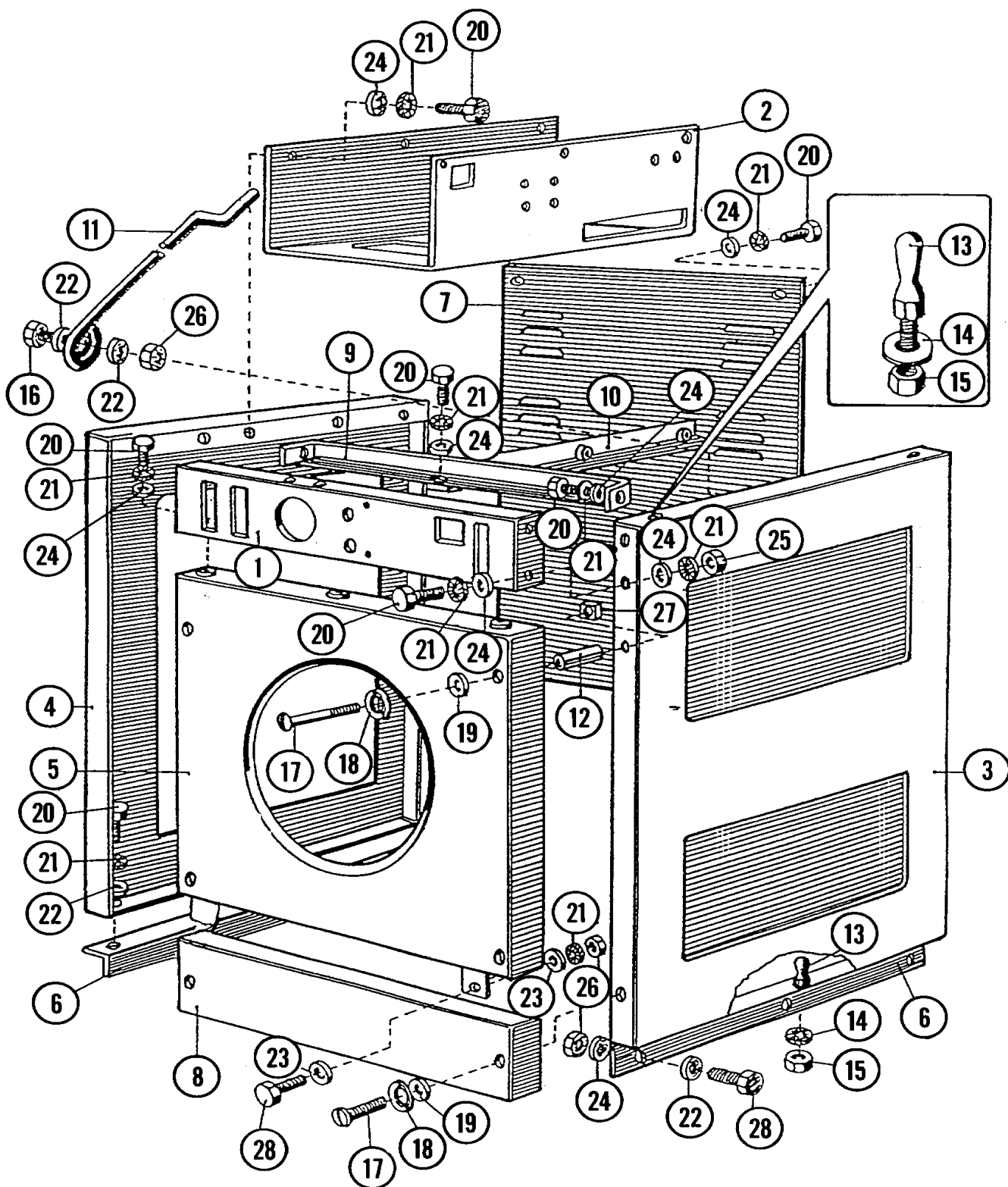
Section: BASE FRAME

No.	Part No.	Description	Series	Qty
1	23002840	FRAME	10	1
2	23001297	CLAMP, TUB	10	2
3	23001298	BRACE, TUB SUPPORT	10	1
4	23001299	PANEL, SUPPORT BRACKET (RT)	10	1
5	23001300	PANEL, SUPPORT BRACKET (LT)	10	1
6	W10124350	NOT REQUIRED PART OR SEE NOTE	10	0
7	23001302	BRACKET	10	2
8	23001294	BOLT (M12 X 70)	10	4
-	23002931	SCREW (M14X50)	16	4
-	23002258	WASHER M14	16	4
9	23001292	WASHER (13)	10	4
10	23001303	NUT (M12)	10	8
-	23003746	NUT, M14	16	8
11	23001205	BOLT (M8 X 45)	10	2
12	23001304	BOLT (M8 X 35)	10	2
13	23001305	BOLT (M8X25)	10	2
14	23001266	NUT (M8)	10	4
15	23001306	LOCKING NUT, SELF	10	2
16	23001263	WASHER (8.4)	10	4
17	23001203	WASHER (DIA. 16 X 8.4 X 1.6)	10	6
18	23001265	WASHER (8)	10	6
19	23001307	BOLT (M6 X 20)	10	10
20	23001308	GROUNDING HARDWARE Note: HARDWARE, GROUNDING	10	2
21	23001309	WASHER (6.4) LU	10	12
22	23001027	WASHER (DIA. 12 X 6.5 X 1.6) Note: WASHER (DIA. 12X6.5X1.6)	10	2
23	23001028	LOCK WASHER EXTERNAL TEETHM6LU Note: LOCKWASHER (EXTERNAL TEETH M6)	10	8
24	23001310	NUT, SELF LOCKING (M6)	10	4
25	23001034	NUT (M6)	10	2
26	23001157	BOLT (M6 X 12 STAINLESS STEEL) Note: BOLT (M6 X 12 STNS STEEL)	10	2
27	23001159	WASHER (DIA. 14X8.6X1 STNLS)LU	10	2

*Color Code (-)=Not Shown #=Series, Serial Prefix or Run No., N=Not Available

Section: CABINET

Model: MFR35PDAVS



CW12-4

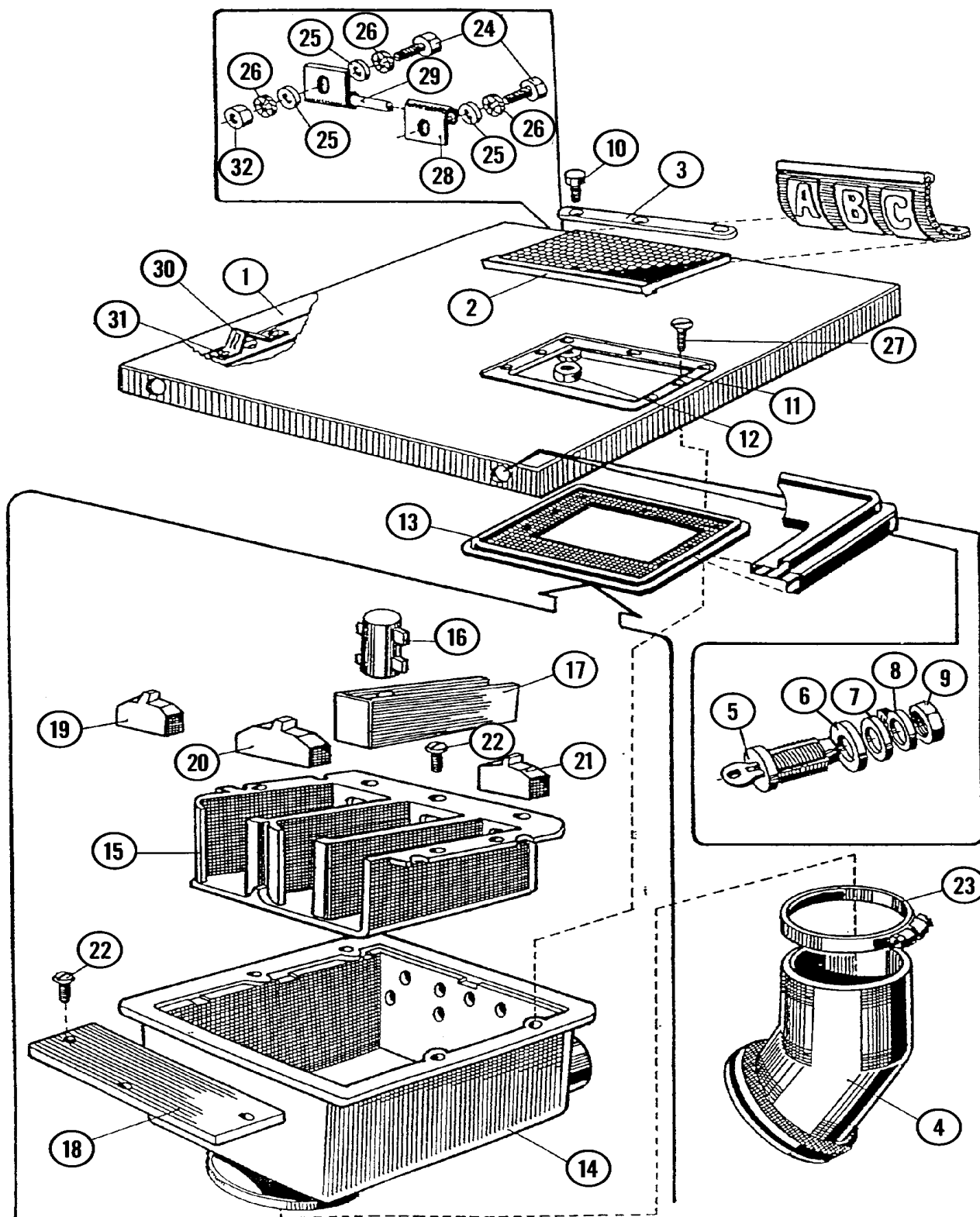
Section: CABINET

No.	Part No.	Description	Series	Qty
1	23003637	PANEL, CONTROL (35/50)	10	1
2	23001314	TRAY, ELEC. COMPONENTS	10	1
3	23001316	PANEL, SIDE (RT) Note: PANEL, SIDE (RT)	10	1
4	23001318	PANEL, SIDE (LT) Note: PANEL, SIDE (LT)	10	1
5	23001320	PANEL, FRONT (SS)COIN Note: PANEL, FRONT (COIN)	10	1
6	23001322	PANEL, SUPPORT (LT) Note: SUPPORT, PANEL (LT)	10	1
6	23001321	SUPPORT, PANEL (RT)	10	1
7	23001325	PANEL (REAR)	10	1
8	23001326	ACCESS PANEL (LWR) Note: PANEL, ACCESS (LWR)	10	1
9	23001327	CROSS BEAM Note: BEAM, CROSS	10	1
10	23001328	BRACE	10	1
11	23001330	SUPPORT ROD, TOP PANEL Note: ROD, TOP PANEL SUPPORT	10	1
12	23001331	SPACER, PANEL	10	1
13	23001332	PIN, SRV	10	1
14	23001333	LOCK WASHER (M5) LU	10	1
15	23001334	NUT (M5) LU	10	1
16	23001335	BOLT (M6 X 25)	10	1
17	23001336	SCREW (M6 X 50)	10	1
18	23001337	WASHER, FINISHING	10	1
19	23001338	WASHER, FIBER (DIA. 15X7X3)	10	1
20	23001026	BOLT (M6 X 16)	10	1
21	23001028	LOCK WASHER EXTERNAL TEETHM6LU Note: LOCKWASHER (EXTERNAL TEETH M6)	10	1
22	23001309	WASHER (6.4) LU	10	1
23	23001309	WASHER (6.4) LU	10	1
24	23001027	WASHER (DIA. 12 X 6.5 X 1.6)	10	1
25	23001034	NUT (M6)	10	1
26	23001310	NUT, SELF LOCKING (M6)	10	1
27	23001339	NUT, CAGE	10	1
28	23001335	BOLT (M6 X 25)	10	1

*Color Code (-)=Not Shown #=Series, Serial Prefix or Run No., N=Not Available

Section: SOAP BOX & TOP COVER ASSEMBLY

Model: MFR35PDAVS



CW16-1

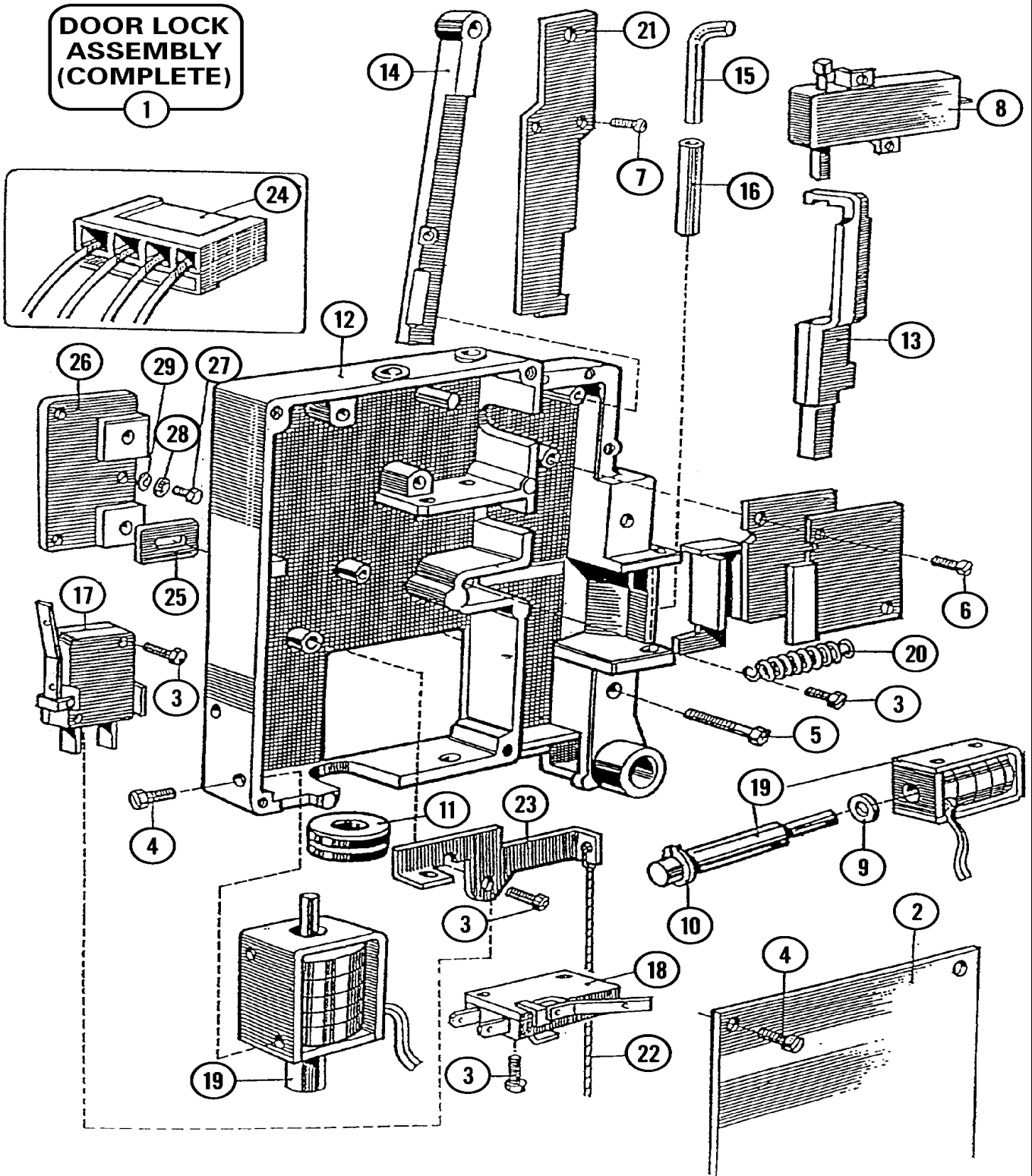
Section: SOAP BOX & TOP COVER ASSEMBLY

No.	Part No.	Description	Series	Qty
1	23001001	TOP COVER-MFR35MN,PN,PC,PD,MC Note: COVER, TOP (STNLS STEEL)	10	1
2	23001003	RUBBER COVER, SOAP BOX	10	1
3	23001004	CLAMP, SOAP BOX COVER	10	1
4	23001005	RUBBER HOSE, SOAP BOX	10	1
5	23001006	LOCK, TOP PANEL	10	2
6	23001007	WASHER, FIBER	10	2
7	23001008	LOCK NUT (LARGE) Note: NUT, LOCK (LARGE)	10	2
8	23001009	LOCK HOOK (SHORT) Note: HOOK, LOCK (SHORT)	10	2
9	23001011	NUT	10	2
10	23001012	SCREW (M4 X 12 STNLS STEEL)	10	3
11	23001636	WASHER Note: SPRING, LOCKWASHER (4)	10	3
12	23001014	NUT (M4)	10	3
13	23001015	RUBBER SEAL, SOAP BOX	10	1
14	23001016	SOAP BOX HOUSING Note: HOUSING, SOAP BOX	10	1
15	23001017	SOAP BOX INSERT Note: INSERT, SOAP BOX	10	1
16	23001018	SIPHON	10	1
17	23001019	TRAY	10	1
18	23001020	COVER, PLATE	10	1
19	23001021	DRAWER, PREWASH	10	1
-	23002318	SCREW, PAN HEAD (SLOTTED)	10	1
20	23001022	DRAWER, MAIN WASH	10	1
21	23001023	DRAWER, LAST RINSE	10	1
22	23001024	SCREW Note: SCREW (3.5 X 9.5)	10	8
23	23001025	CLAMP, HOSE (DIA 90/110)	10	1
24	23001307	BOLT (M6 X 20)	10	6
25	23001027	WASHER (DIA. 12 X 6.5 X 1.6)	10	4
26	23001028	LOCK WASHER EXTERNAL TEETHM6LU Note: LOCKWASHER (EXTERNAL TEETH M6)	10	4
27	23001029	SCREW, FLAT HD (STLS M5X15MM) Note: SCREW (M5 X 15 PK)	10	1
28	23001030	HINGE, TOP COVER	10	4
29	23001031	HINGE SHAFT (10 X 56 BRASS) Note: SHAFT, HINGE (10 X 56 BRASS)	10	2
30	23001032	CLAMP, SRV	10	2
31	23001033	RIVETS, BLIND (DIA. 3.2 X 8)LU	10	4
32	23001034	NUT (M6)	10	1
-	23001550	LABEL, EARTH Note: STICKER, SERVICE WARNING	10	1

*Color Code (-)=Not Shown #=Series, Serial Prefix or Run No., N=Not Available

Section: DOOR LOCK ASSEMBLY

Model: MFR35PDAVS



CW10-26

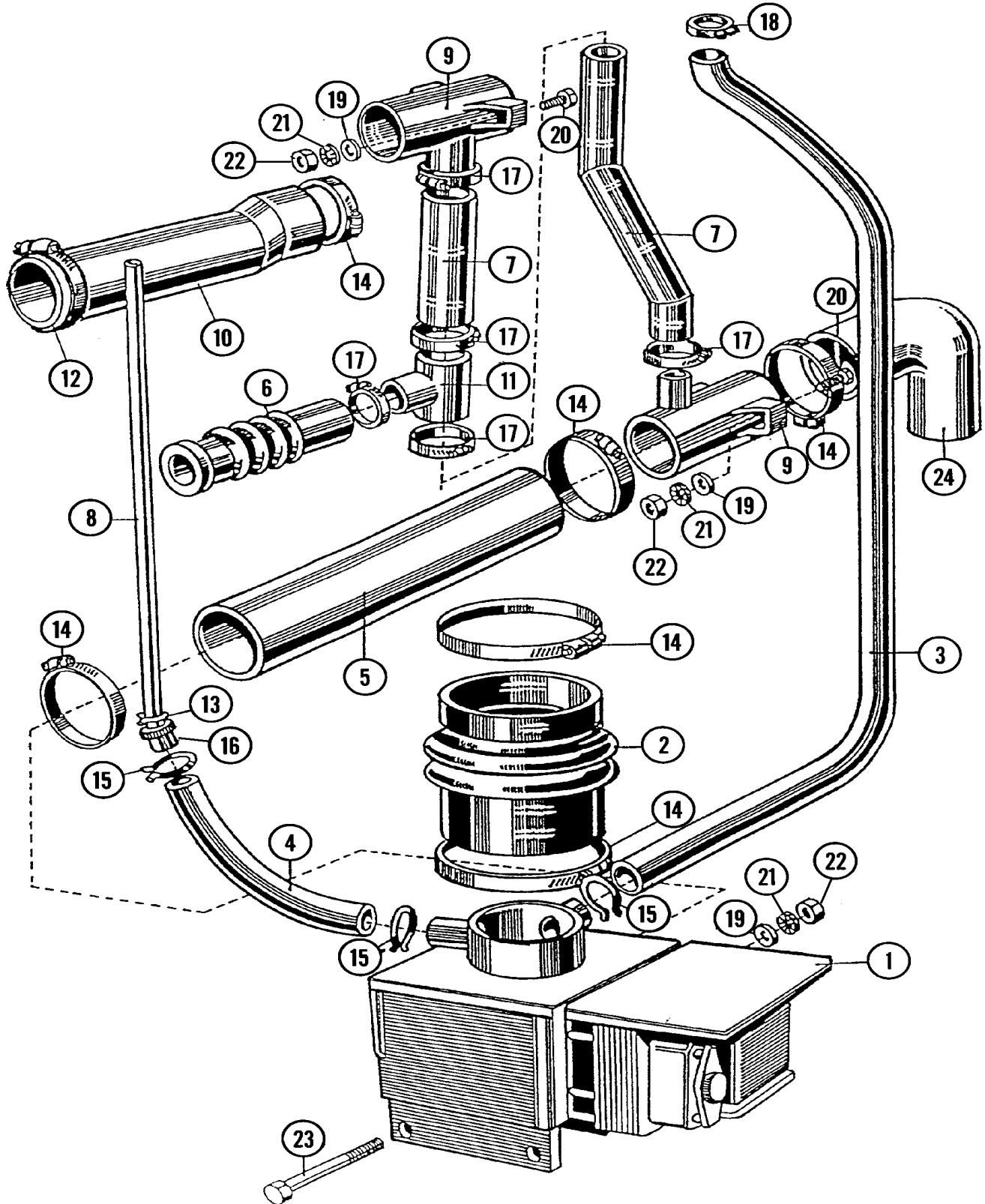
Section: DOOR LOCK ASSEMBLY

No.	Part No.	Description	Series	Qty
1	Y23002897	LOCK, DOOR (COMPLETE)	10	1
2	23001130	PLATE, COVER (STNLS STEEL)	10	1
3	23001131	SCREW (M3 X 14 CROSS RECESSED)	10	1
4	23001132	SCREW (M3 X 4 CROSS RECESSED)	10	1
5	23001133	SCREW (M5 X 25 STAINLESS STEEL Note: SCREW (M5 X 25 STNLS STEEL)	10	1
6	23001070	SCREW (M4X10)	10	1
7	23001134	BOLT (M3 X 6)	10	1
8	23001135	BIMETAL, ACTUATOR (230V)	10	1
9	23001136	WASHER (DIA. 5.1 X 3.3 X 0.1)	10	1
10	23001137	RING, RETAINING (G10)	10	1
11	23001138	BUSHING, CABLE PASSAGE	10	1
12	23001139	HOUSING, DOOR LOCK	10	1
13	23001140	BAR, LOCKING	10	1
14	23001141	BAR, HANDLE LATCH	10	1
15	23001142	RETAINER, LOCK TUBE (DIA.4X45)	10	4
16	23001143	LOCK TUBE (DIA. 4X23.5 STNLS) Note: TUBE, LOCK (DIA. 4X23.5 STNLS)	10	1
17	23001144	MICROSWITCH, SHORT LEVER Note: MICROSWITCH, LEVER (SHORT)	10	1
18	23001145	MICROSWITCH, LONG LEVER Note: MICROSWITCH, LEVER (LONG)	10	1
19	23001146	COIL (240V)	10	1
19	23001147	COIL (120V)	10	1
20	23001148	COIL SPRING, HANDLE LATCH BAR	10	1
21	23001149	LEAF SPRING, LATCH BAR	10	1
22	23001152	CORD, EMERGENCY OPENING	10	1
23	23001153	LEVER, EMERGENCY OPENING	10	1
24	23001154	WIRING HARNESS, DOORLOCK Note: WIRING HARNESS, DOORLOCK (OPL)	10	1
25	23001155	SHIM	10	1
26	23001156	SPACER, LOCK	10	1
27	23001157	BOLT (M6 X 12 STAINLESS STEEL) Note: BOLT (M6 X 12 STNLS STEEL)	10	1
28	23001158	WASHER (M6) Note: SPRING, LOCKWASHER (M6)	10	1
29	23001159	WASHER (DIA. 14X8.6X1 STNLS)LU	10	1

*Color Code (-)=Not Shown #=Series, Serial Prefix or Run No., N=Not Available

Section: DRAIN & HOSE ASSEMBLY

Model: MFR35PDAVS



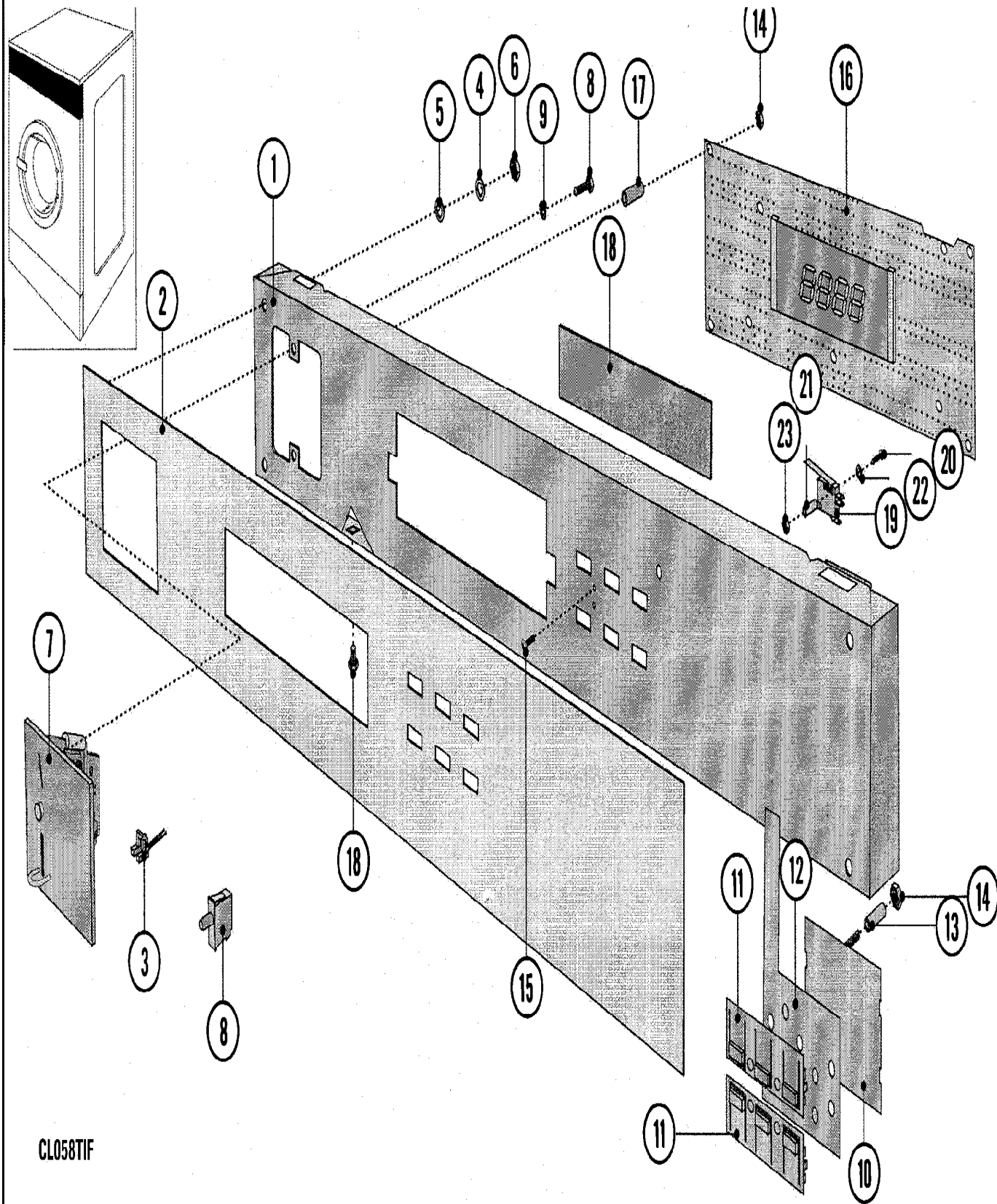
Section: DRAIN & HOSE ASSEMBLY

No.	Part No.	Description	Series	Qty
-	23002321	MOTOR, DRAIN (240V)	10	1
1	23001244	VALVE, DRAIN (240V-50/60HZ)	10	1
2	23001245	HOSE, TUB	10	1
3	23001246	HOSE, BOTTOM FILL	10	1
4	23001247	HOSE, AIR DOME (30 CM)	10	1
5	23001249	HOSE, DRAIN	10	1
6	23001250	HOSE, AIR VENT	10	1
7	23001251	HOSE, OVERFLOW	10	1
8	23001252	HOSE, WATER LEVEL SWITCH	10	1
9	23001253	DRAIN TEE Note: TEE, DRAIN	10	1
10	23001254	AIR VENT HOSE, SOAP BOX	10	1
11	23001255	TEE, OVERFLOW HOSE	10	1
12	23001256	CLAMP, HOSE (60-80)	10	1
13	23001257	CLAMP, CORBIN (A5.5)	10	1
14	23001258	CLAMP, HOSE (70-90)	10	1
15	23001259	CLAMP, CORBIN (A17.5)	10	1
16	23001260	BUSHING, AIR DOME HOSE	10	1
17	23001261	CLAMP, HOSE (32-50)	10	1
18	23001262	CLAMP, HOSE (20-32)	10	1
19	23001263	WASHER (8.4)	10	1
20	23001264	BOLT (M8X20)	10	1
21	23001265	WASHER (8)	10	1
22	23001266	NUT (M8)	10	1
23	23001267	BOLT (M8 X 120)	10	1
24	23001268	HOSE, DRAIN (90 DIA.)	10	1

*Color Code (-)=Not Shown #=Series, Serial Prefix or Run No., N=Not Available

Section: CONTROL PANEL

Model: MFR35PDAVS



CL058TIF

LW11-100

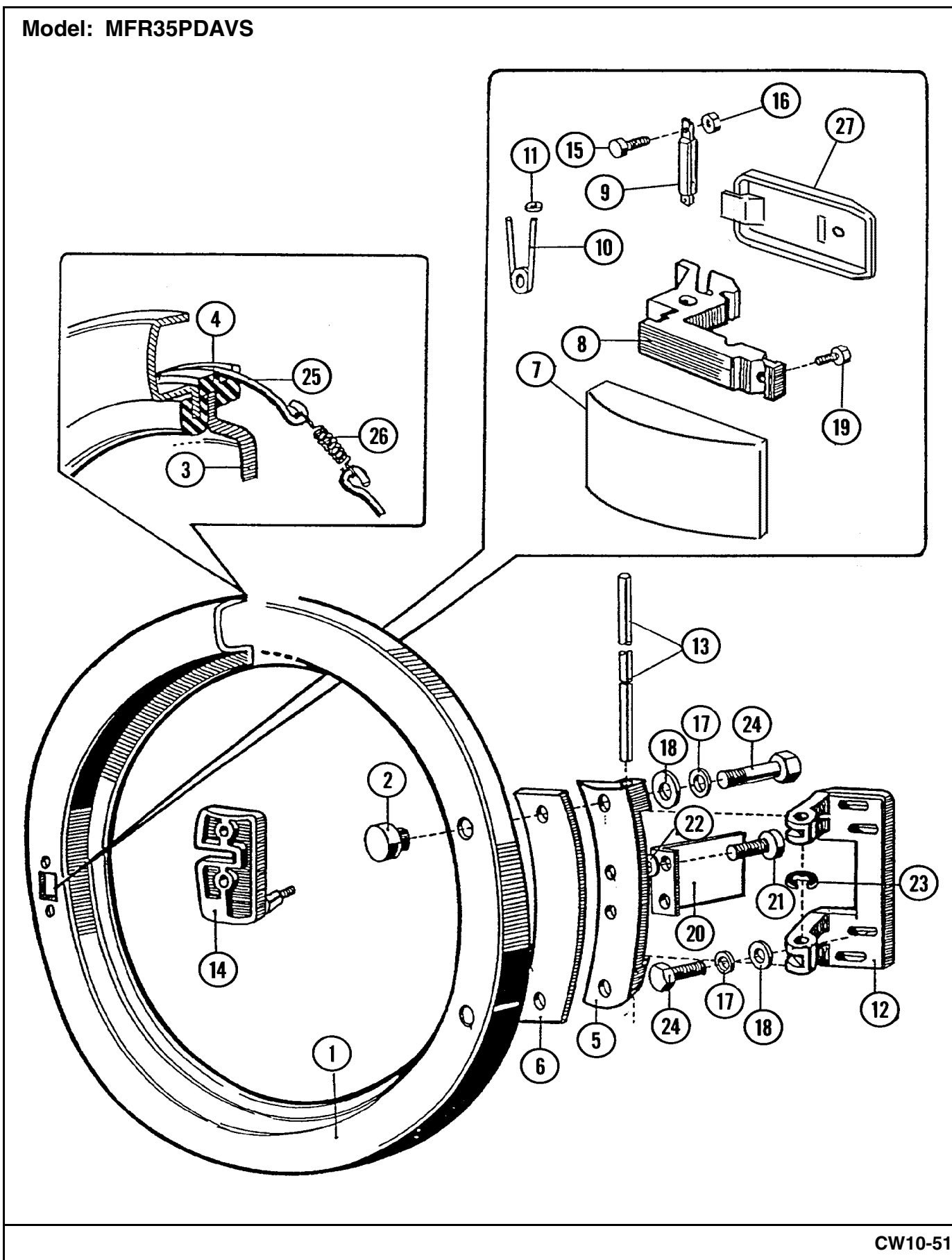
Section: CONTROL PANEL

No.	Part No.	Description	Series	Qty
1	23003637	PANEL, CONTROL (35/50) Note: PANEL, CONTROL	10	1
1	23003814	PANEL, CONTROL	18	1
2	23003641	FACIA (35)	10	1
2	23003724	FACIA, CONTROL PANEL MFR35	18	1
3	23003657	SENSOR, OPTIC	10	1
4	23001545	WASHER	10	4
5	23002426	WASHER, LOCK (M4)	10	4
6	23003666	NUT (M4)	10	4
-	23002884	VAULT, COIN (SINGLE) LU	10	1
-	23003975	VAULT, COIN MFR35/50	23	1
7	23003644	COIN DROP	10	1
8	23003656	SWITCH, COIN BOX	10	1
9	23002465	WASHER, LOCK	10	1
10	23003645	HOLDER	10	1
11	23003646	BUTTONS, ROW OF 3	10	1
12	23003647	SWITCH, MEMBRANE	10	1
13	23003648	TUBE	10	4
14	23003649	LOCKNUT, WASHERED	10	8
15	23002617	SCREW (M4X8)	10	4
16	23003705	CONTROL BOARD	10	1
17	23003651	TUBE	10	4
18	23003655	COVER, DISPLAY LU	10	1
19	23001145	MICROSWITCH, LONG LEVER	10	1
20	23003652	SCREW, SWITCH	10	2
21	23003653	TUBE	10	2
22	23003654	WASHER (M3)	10	2
23	23002958	NUT (M3)	10	2

*Color Code (-)=Not Shown #=Series, Serial Prefix or Run No., N=Not Available

Section: DOOR

Model: MFR35PDAVS



CW10-51

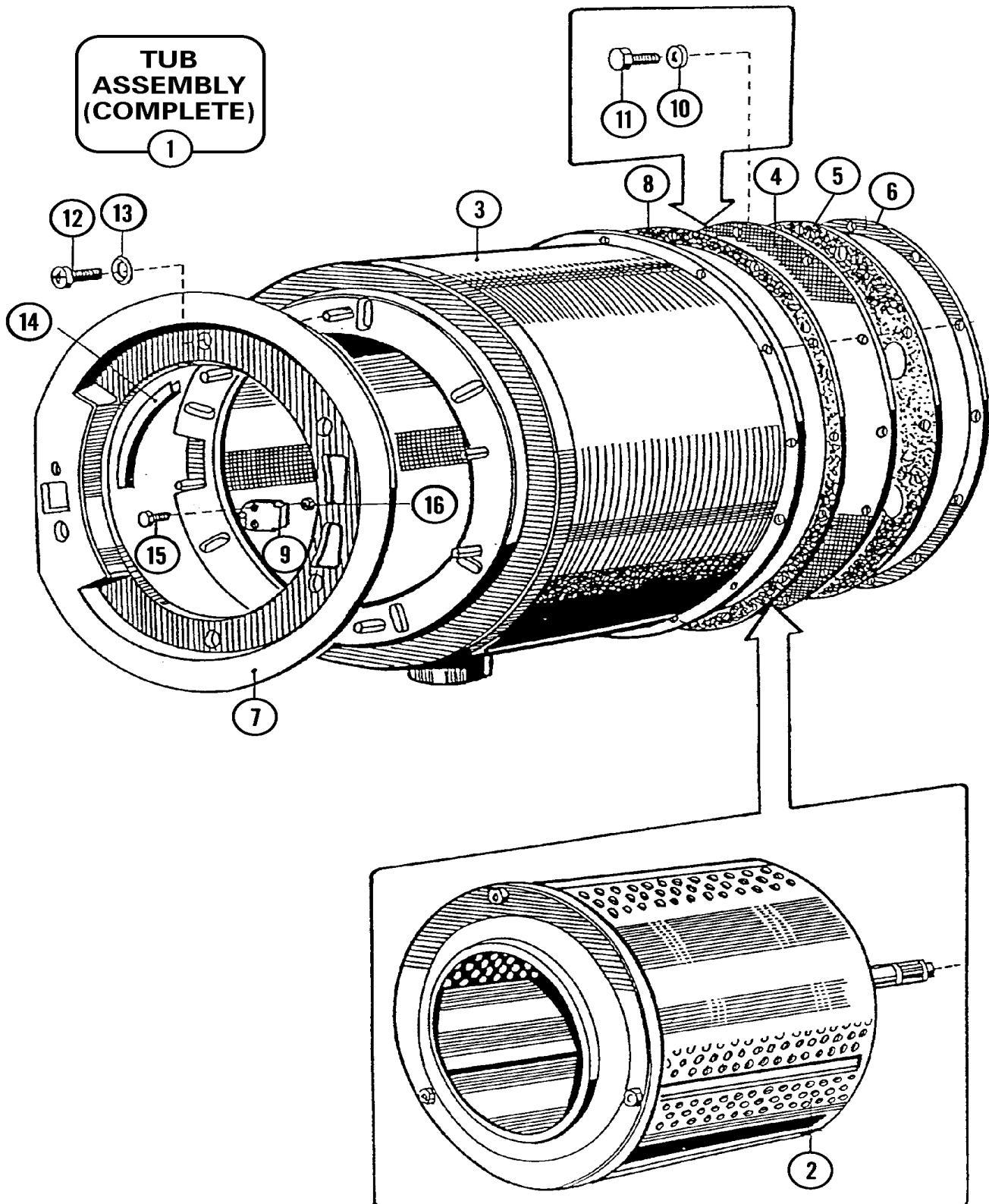
Section: DOOR

No.	Part No.	Description	Series	Qty
1	23001161	RING, DOOR	10	1
2	23001162	NUT, ORNAMENTAL (STNLS STEEL)	10	2
3	23001163	GLASS, DOOR	10	1
4	23001164	GASKET, DOOR GLASS	10	1
5	23001165	PLATE, HINGE	10	1
6	23001166	SHIM, HINGE PLATE	10	3
7	12001889	KIT, DOOR HANDLE ASSEMBLY Note: HANDLE FRONT & BACK INCLUDED	14	1
7	23003631	HANDLE, DOOR (FRONT)	10	1
8	23003634	LEVER, DOOR	10	1
9	23001168	SHAFT, LEVER	10	1
10	23001169	SPRING, HANDLE LEVER	10	1
11	23001057	SPEEDNUT (M3)	10	1
12	23001171	BASE, HINGE	10	1
13	23001172	SHAFT, DOOR HINGE	10	1
14	23001173	HANDLE, LEVER PLATE	10	1
15	23002937	SCREW (M6X26) Note: SPRING, LOCKWASHER (M6)	10	6
16	23001176	NUT (M6 STAINLESS STEEL) Note: SCREW (M6X20 STNLS STEEL)	10	2
-	23001159	WASHER (DIA. 14X8.6X1 STNLS)LU	10	2
17	23001176	NUT (M6 STAINLESS STEEL) Note: NUT (M6 STNLS STEEL)	10	2
18	23001159	WASHER (DIA. 14X8.6X1 STNLS)LU	10	6
19	23001621	SCREW (M4X12) LU	10	1
20	23001177	SCREW (M4 X 10) Note: SCREW (M4X10 STNLS STEEL)	10	1
21	23001179	SCREW (M4X10 STAINLESS STEEL) Note: SCREW (M4X10 STNLS STEEL)	10	2
22	23001180	WASHER (DIA. 10X5.3X1)	10	2
23	23001181	RETAINING RING (DIA. 8) Note: RING, RETAINING (DIA. 8)	10	1
24	23002279	BOLT (M6X20) Note: BOLT (M6X16 STNLS STEEL)	10	2
25	23001185	DOORSEAL, TENSION RING	10	1
26	23001186	DOORSRING, TENSION SPRING	10	1
27	23003632	HANDLE, DOOR (BACK) Note: INCLUDED IN PART # 7	10	1

*Color Code (-)=Not Shown #=Series, Serial Prefix or Run No., N=Not Available

Section: BASKET & OUTER SHELL ASSEMBLY

Model: MFR35PDAVS



CW21-14

Section: BASKET & OUTER SHELL ASSEMBLY

No.	Part No.	Description	Series	Qty
1	N 23001187	TUB (COMPLETE)	10	1
2	23003817	DRUM AND SHAFT MFR 35 LU	10	1
3	23001191	OUTER SHELL Note: SHELL, OUTER	10	1
4	23001193	BACKPLATE (STNLS STEEL)	10	1
5	23001195	BACKPLATE (IRON)	10	1
6	23001197	RING, CLAMP (24 HOLES)	10	1
7	23001198	SHIELD	10	1
8	23001199	GASKET, REAR SHELL (24 HOLES)	10	1
9	23001200	HINGE, MIRCO SWITCH	10	1
10	23001201	WASHER (DIA. 22X11X1 BRASS)	10	24
11	23001202	BOLT (M10X35 STAINLESS STEEL) Note: BOLT (M10X35 STNLS STEEL)	10	24
12	23001177	SCREW (M4 X 10) Note: SCREW (M4 X 8 STNLS STEEL)	10	4
13	23001204	WASHER, FINISHING (DIA. 5)	10	4
14	23001088	RUBBER TRIM Note: TRIM, RUBBER	10	1
15	23001089	SCREW (M4 X 16 CK)	10	2
16	23001055	NUT (M4)	10	2

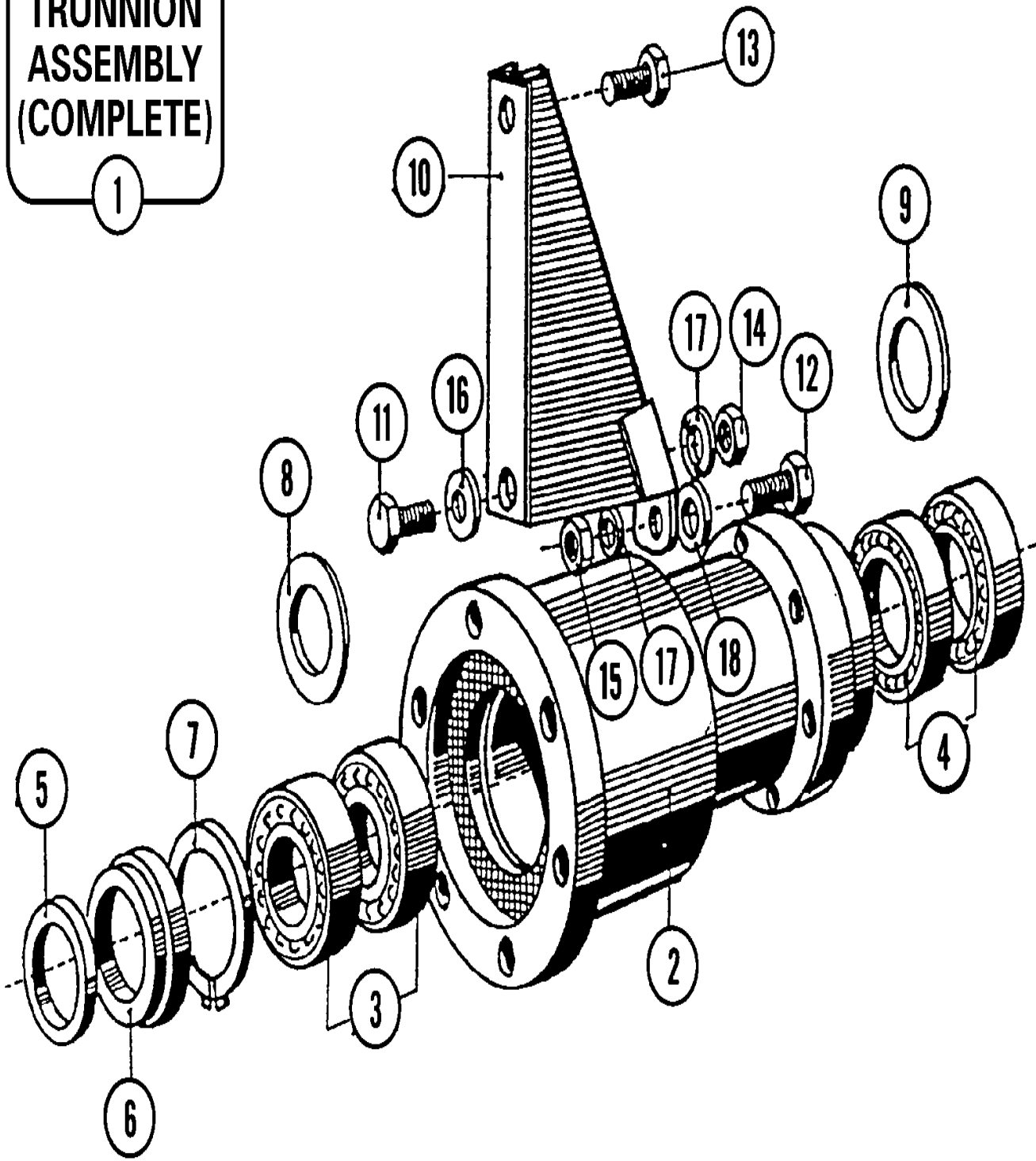
*Color Code (-)=Not Shown #=Series, Serial Prefix or Run No., N=Not Available

Section: BEARINGS & TRUNNION ASSEMBLY

Model: MFR35PDAVS

**TRUNNION
ASSEMBLY
(COMPLETE)**

1



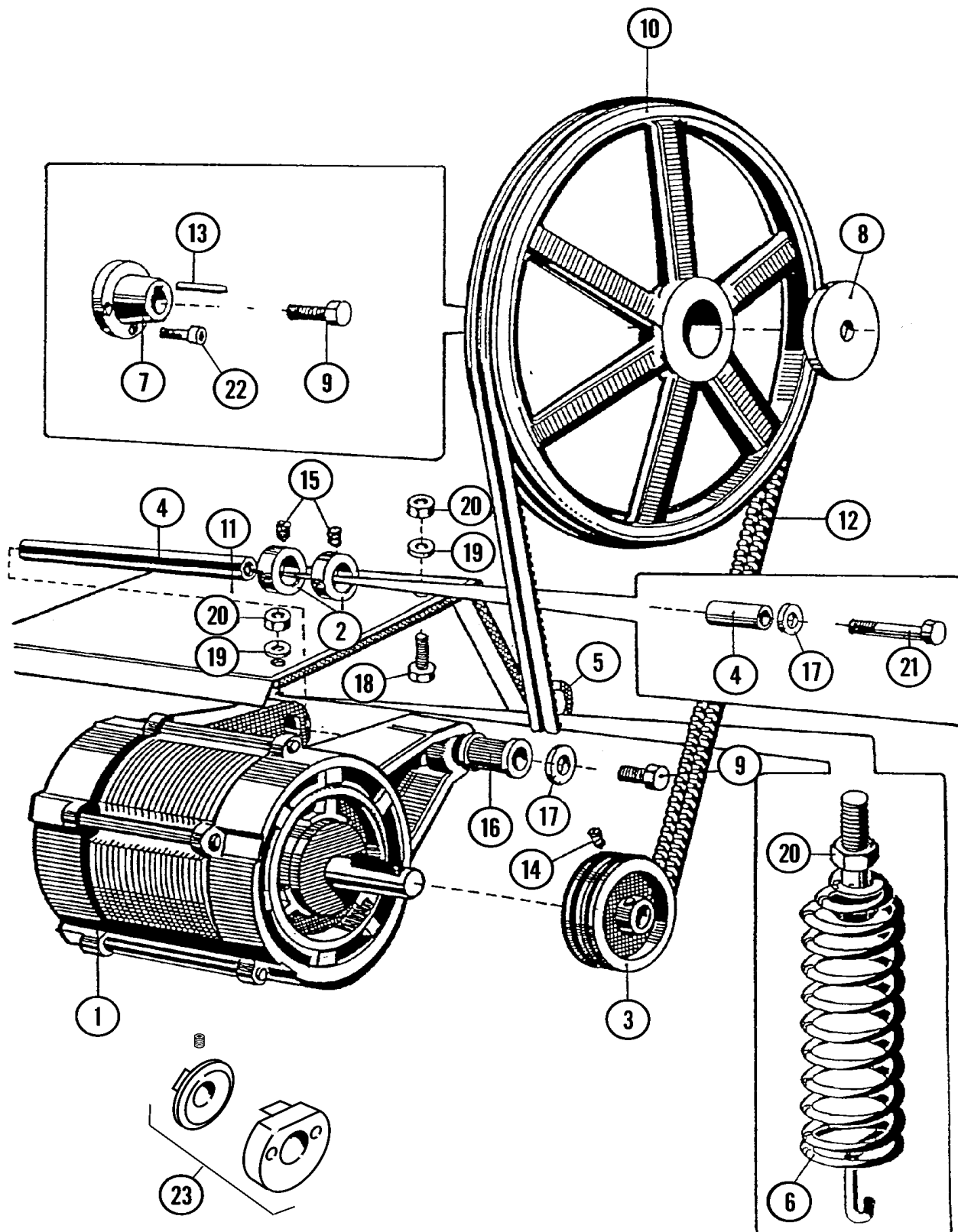
Section: BEARINGS & TRUNNION ASSEMBLY

No.	Part No.	Description	Series	Qty
1	23001208	TRUNNION ASSEMBLY	10	1
2	23001230	TRUNNION (CASTING ONLY)	10	1
3	23001231	BEARING (6209 2RS C3)	10	1
4	23001232	BEARING (REAR)	10	1
5	23001233	RING, SEAL	10	1
6	23001234	SEAL, WATER	10	1
7	23001235	RING, INTERNAL SNAP	10	1
8	23001236	SPACER RING (FRONT BEARING)	10	1
9	23001237	SPACER RING (REAR BEARING)	10	1
10	23001238	SPOKE	10	6
11	23001202	BOLT (M10X35 STAINLESS STEEL) Note: BOLT (M10X35 STNLS STEEL)	10	6
12	23001239	BOLT (M10 X 40)	10	6
13	23001205	BOLT (M8 X 45)	10	6
14	23001240	NUT (M10)	10	6
15	23001241	LOCKING NUT, SELF (M10) LU	10	6
16	23001201	WASHER (DIA. 22X11X1 BRASS)	10	6
17	23001242	LOCK WASHER, SPRING (M10)	10	12
18	23001243	WASHER (DIA. 20 X 10.5 X 2)	10	6

*Color Code (-)=Not Shown #=Series, Serial Prefix or Run No., N=Not Available

Section: MOTOR & BASKET PULLEY

Model: MFR35PDAVS



CW20-4

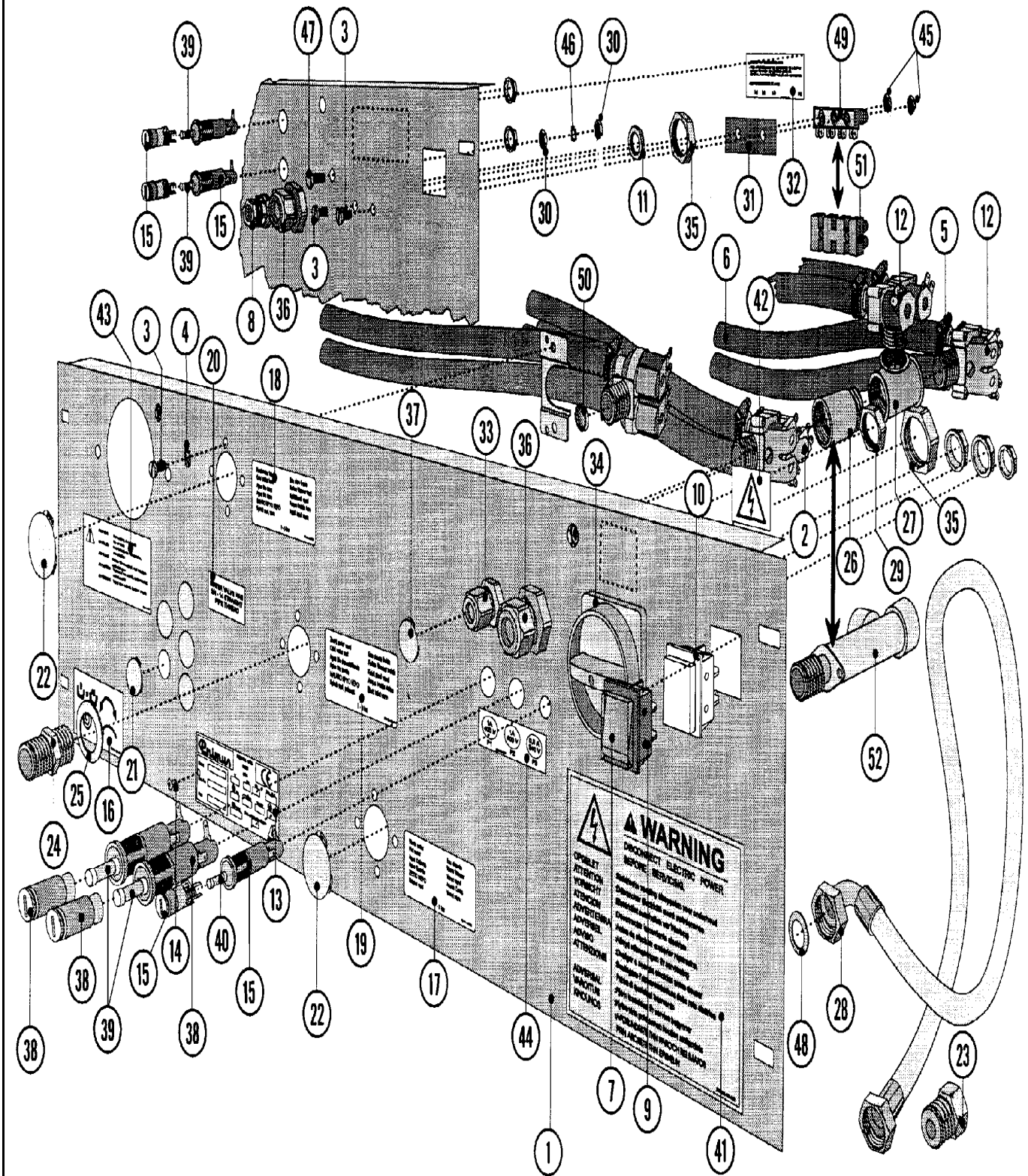
Section: MOTOR & BASKET PULLEY

No.	Part No.	Description	Series	Qty
1	23001270	MOTOR (THREE PHASE-240V/208V)	10	1
2	23002925	SHAFT, SLIDING RING MOTOR	10	2
3	23001273	V-PULLEY (DIA. 53 X PZ 60HZ)	10	1
4	23002926	SHAFT, MOTOR Note: ROD, MOTOR SUPPORT	10	1
5	23001278	BELT TENSIONER (SINGLE PHASE) Note: TENSIONER, BELT	10	1
6	23001279	BELT, TENSION SPRING	10	1
7	23001280	BUSHING, TAPERED (W/KEY SLOT)	10	1
8	23001282	WASHER (DIA. 37 X 13 X 3)	10	1
9	23001283	BOLT (M12 X 35)	10	3
10	23001284	BASKET PULLEY (DIA. 450) Note: PULLEY, BASKET (DIA. 450)	10	1
11	23002928	MOTOR, PROTECTION SHIELD	10	1
12	23001287	V-BELT (XPZ X 1950)	10	1
13	23001288	BASKET PULLEY KEY (10 X 8X 60) Note: KEY, BASKET PULLEY(10 X 8X 60)	10	1
14	23001289	SCREW, ALLEN SET (M8 X 10)	10	2
15	23001290	SCREW, ALLEN SET (M6 X 6)	10	2
16	23001291	BUSHING, RUBBER MOTOR MOUNT	10	2
17	23001292	WASHER (13)	10	2
18	23001264	BOLT (M8X20)	10	1
19	23001265	WASHER (8)	10	2
20	23001266	NUT (M8)	10	3
21	23001294	BOLT (M12 X 70) Note: BOLT (M12 X 70)	10	1
22	23002336	BOLT, SOCKET HD (M12X50) Note: BOLT, SOCKET HD (M12 X 50)	10	2
23	23002317	SWITCH, CENTRIFUGAL	10	1

*Color Code (-)=Not Shown #=Series, Serial Prefix or Run No., N=Not Available

Section: WATER VALVE & REAR PANEL

Model: MFR35PDAVS



CW21-136

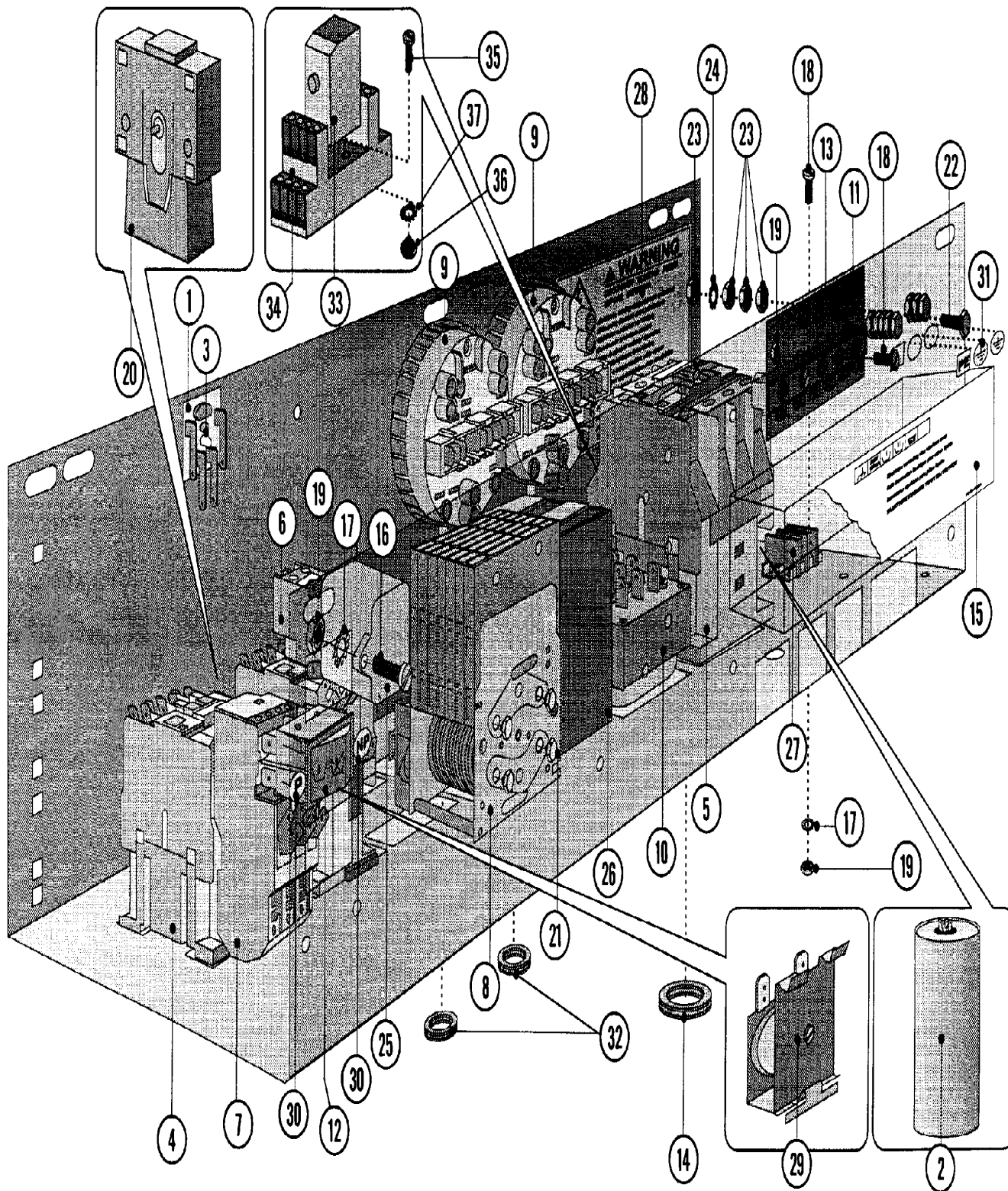
Section: WATER VALVE & REAR PANEL

No.	Part No.	Description	Series	Qty
1	23002909	BRIDGE, REAR	10	1
2	23001533	VALVE, THREE-WAY	10	1
3	23002423	SCREW (M4 X 10)	10	4
4	23002111	WASHER (4)	10	4
5	23001506	CLAMP, HOSE	10	14
6	23001507	WATERHOSE (GREEN)	10	1
8	23001453	NUT, SWIVEL (PG9)	10	1
10	23001452	PLUG (WHT)	10	1
11	23001450	SWIVEL (PG9)	10	1
12	23001455	VALVE, TWO WAY (220V 50/60HZ)	10	3
14	23001461	RIVETS, BLIND	10	2
15	23001462	HOLDER, FUSE	10	1
16	23001468	STICKER, SPIN DIRECTION	10	1
17	N 23002910	PLATE, INDEX "HOT WATER" Note: PLATE, INDEX (HOT WATER)	10	1
18	N 23002911	PLATE, INDEX (COLD HARD WATER)	10	1
19	N 23002912	PLATE, INDEX (COLD SOFT WATER)	10	1
20	23001509	STICKER, PIPE THREAD	10	1
21	N 23002794	PLUG (13)	10	5
22	23001476	PLUG, WATER INLET	10	1
23	23001477	ADAPTER (3/4" PIPE TO 3/4" HOS)	10	3
24	23001482	NIPPLE (3/4" PIPE THREAD)	10	1
25	23001483	WASHER (DIA. 40 X 6.5 X 3)	10	1
26	23001484	EXTENSION, BRASS PIPE THREAD	10	1
27	23001485	TEE, 3/4" PIPE THREAD (BRASS)	10	1
28	23001523	HOSE, CONNECTION	10	2
29	23002197	NUT	10	1
30	23001312	NUT (M6)	10	2
31	23001115	INSULATION PAPER	10	1
32	N 23002913	LABEL, TERMINAL	10	1
33	23002196	SWIVEL, CABLE	10	1
34	23002916	SWITCH, MAIN (80A)	10	1
35	23002212	NUT	10	1
36	N 23002917	SWIVEL	10	1
37	23002243	PLUG, UNIVERSAL	10	1
38	23002210	HOLDER, FUSE	10	2
39	23001508	FUSE (1A)	10	1
39	23002918	FUSE (1A)	10	1
40	23002919	FUSE (5A)	10	1
41	23001465	STICKER, ELECTRICITY WARNING	10	1
42	23002920	PLATE, INDEX (FLASH)	10	1
43	23002053	LABEL, WARNING VENT OUT	10	1
44	N 23001473	STICKER (1A)	10	1
45	23001055	NUT (M4)	10	2
46	23001158	WASHER (M6)	10	1
47	23002778	SCREW (M4 X 12)	10	1
48	23002921	WASHER, FILL HOSE	10	6
49	23001113	CONNECTOR HOUSING (4 POLE)	10	1
50	23002922	FILTER	10	3
51	23002923	BOARD, TERMINAL	10	1
52	23002924	T-PART (3/4)	10	1

*Color Code (-)=Not Shown #=Series, Serial Prefix or Run No., N=Not Available

Section: ELECTRICAL COMPONENTS

Model: MFR35PDAVS



CW21-138

Section: ELECTRICAL COMPONENTS

No.	Part No.	Description	Series	Qty
1	23001094	BRIDGE, RECTIFIER	10	2
2	23001098	CAPACITOR (130MF)	10	2
2	23001096	CAPACITOR (60MF)	10	3
3	23001099	PC BOARD SOCKET	10	2
4	23003751	CONTACTOR LC1 D12	21	2
4	23001101	CONTACTOR (LC1-D1201 M7)	10	2
4	23003750	CONTACTOR LC1 DO9	21	1
4	23001100	CONTACTOR (LC1-D0901 M7)	10	1
5	23003752	Contacto LC1	21	1
5	23001103	CONTACTOR (LC1-D3201 M7)	10	1
5	23001102	CONTACTOR (LC1-D1801 M7)	10	1
5	23001340	CONTACTOR (LC1-D4011)	10	1
6	23001104	AUXILIARY CONTACT (1NO-1NC)	10	1
7	23002101	RELAY, OVERLOAD (LR2-D1312)	10	1
7	23001105	RELAY, THERMAL OVERLOAD (9-13A)	10	1
7	23003761	Overload relay LR2D	21	1
7	23003758	Overload relay LR2D	21	1
7	23001108	RELAY, THERMAL OVERLOAD (7-10A)	10	1
7	23003756	OVERLOAD RELAY 4-6A	21	1
7	23001106	RELAY, THERMAL OVERLOAD (4-6A)	10	1
7	23003757	OVERLOAD RELAY 5.5-8A	21	1
8	23001110	TIMER, REVERSING (PR1840)	10	1
9	23002176	SWITCH, WATER LEVEL	10	1
9	23001111	SWITCH, WATER LEVEL	10	1
9	23001513	SWITCH, WATER LEVEL	20	1
10	23002460	THERMOSTAT (4 TEMP)	10	1
11	23002154	BOARD, TERMINAL (6 POLES)	10	1
12	23001114	ROCKER SWITCH, PREWASH/NO PREW	10	1
13	23001115	INSULATION PAPER	10	1
14	23001117	RING, RUBBER (DIA. 25)	10	1
15	23001118	STICKER, LIQUID SOAP	10	1
16	23002423	SCREW (M4 X 10)	10	4
17	23002111	WASHER (4)	10	4
18	23002398	SCREW (M4X16)	10	4
19	23002399	NUT(M4)	10	6
20	23001119	MECHANICAL INTERLOCK, CONTACTO	10	1
21	23002952	SCREW (M4X4) Note: SCREW (M4X4)	10	4
22	23002806	SCREW (M6 X 25)	10	3
23	23001515	NUT (M6)	10	9
24	23001734	WASHER (M6)	10	3
25 N	23002953	MEMBER, RC	10	2
26	23002348	TRANSFORMER, CONTROL CIRCUIT	10	1
27	23002959	CONNECTOR	10	1
28	23001465	STICKER, ELECTRICITY WARNING	10	1
29	23002955	BUZZER	10	1
30 N	23001517	STICKER	10	1
31 N	23001546	LABEL, EARTH	10	2
32	23001138	BUSHING, CABLE PASSAGE	10	2
33	23002956	SCHRACH, RELAY	10	1
34	23002957	BASE, RELAY	10	1
35	23002906	SCREW (M3X25)	10	2
36	23002958	NUT (M3)	10	2
37	23002865	LOCK WASHER (M3)	10	2

*Color Code (-)=Not Shown #=Series, Serial Prefix or Run No., N=Not Available