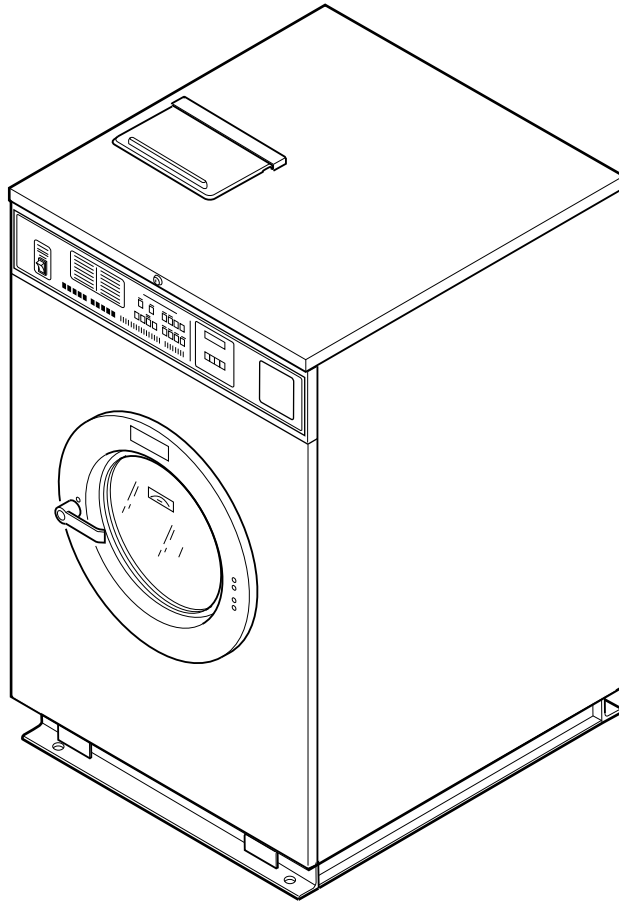


# Washer-Extractor

Cabinet Hardmount  
Variable Speed Models  
Refer to Page 3 for Model Numbers



CHM1323C\_F232129



# Table of Contents

Title	Page
Parts Ordering Information.....	2
Serial Plate Location .....	2
Model Identification .....	3
Product Overview for A and B-Control.....	4
Product Overview for NetMaster, Mechanical Timer and P, S and V-Computer .....	6
Decals .....	8
Control Module.....	10
AC Drive.....	12
Dispenser and Valve Assembly - Mueller Valves.....	14
Valve Assembly - Mueller .....	16
Dispenser and Valve Assembly - Elbi Valves .....	18
Valve Assembly - Elbi .....	20
Automatic Supply Dispenser .....	22
Filter (Optional) and Supply Hose.....	24
Drain Valve, Hoses and Air Trap .....	26
Drain Valve, Hoses and Air Trap - Old Style.....	28
Door .....	30
Control Panel Decal and Controls.....	32
Front Panel and Extrusion Panel .....	34
Panels and Bezel Style Inner Front Panel (Drawing 1 of 2).....	36
Panels and Bezel Style Inner Front Panel (Drawing 2 of 2).....	38
Door Lock - Models Through 4/21/02 .....	40
Door Lock - Models Starting 4/22/02 .....	42
Basket and Shell .....	44
Trunnion and Bearings.....	46
Motor, Pulley and Belt .....	48
Steam Heat Assembly .....	50
Electric Heat Assembly .....	52
Special Tools .....	54
Parts Index.....	57

© Copyright 2019, Alliance Laundry Systems LLC

All rights reserved. No part of the contents of this book may be reproduced or transmitted in any form or by any means without the expressed written consent of the publisher.

# Parts Ordering Information

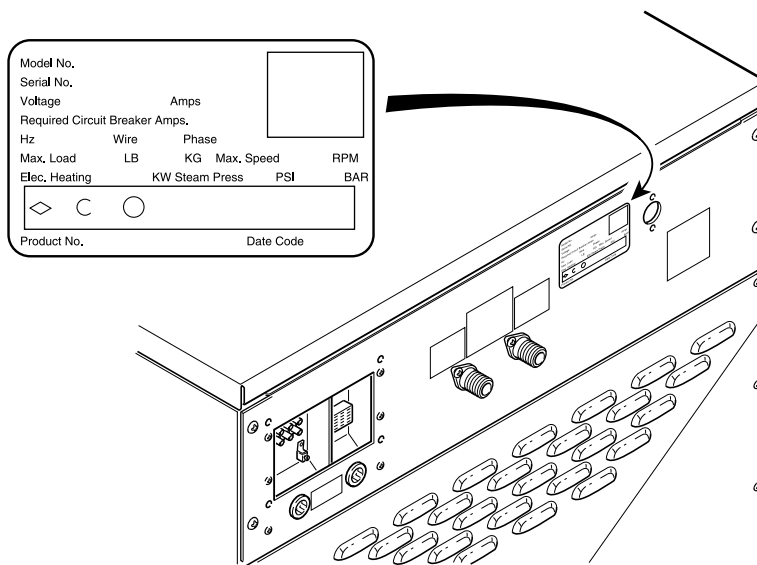
If literature or replacement parts are required, contact the source from whom the machine was purchased or contact Alliance Laundry Systems at (920) 748-3950 for the name and address of the nearest authorized parts distributor.

For technical assistance, call the number listed below:

(920) 748-3121 Ripon, Wisconsin

# Serial Plate Location

When calling or writing about your product, be sure to mention model and serial numbers. Model and serial numbers are located on serial plate(s) as shown.



CHM2454P\_F232129

## Model Identification

Information in this manual is applicable to these washer-extractor models:

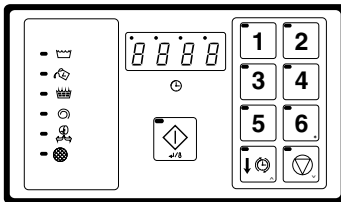
SC18VNV  
SC27VNV  
SC35VNV  
SC50VNV  
UC18VNV  
UC27VNV  
UC35VNV  
UC50VNV

**NOTE: This manual applies to models of design 1-4 only**

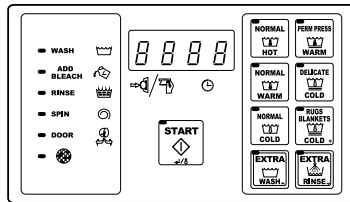
# Product Overview for A and B-Control

Model No. \*C40AC20U60001  
 Serial No. 00000000000  
 Voltage 208 – 240 Amps 7  
 Required Circuit Breaker Amps 15  
 Hz 60 Wire 3 Phase 3  
 Max. Load 40 LB 18.2 KG Max. Speed 470 RPM  
 Elec. Heating N/A KW Steam Press. N/A PSI 0 BAR  
 Drawing:

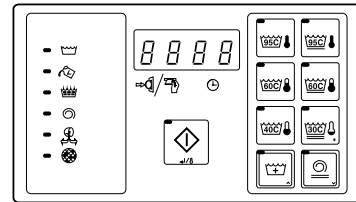
ETL LISTED  
 CONFORMS TO  
 ANSUL STD. 1555  
 ANSUL STD. 1206  
 ETL TESTING LABORATORIES, INC.  
 CORTLAND, NEW YORK 13045



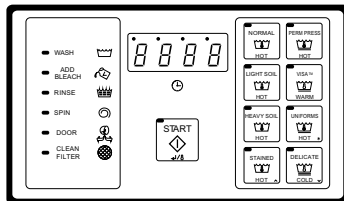
**A-Control OPL**



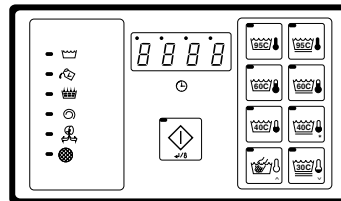
**A-Control Coin (Domestic)**



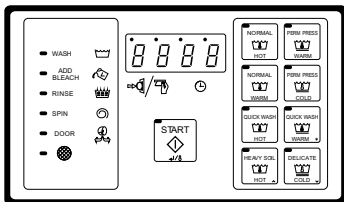
**A-Control Coin (International)**



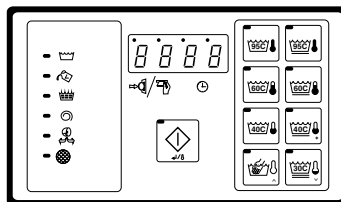
**B-Control OPL (Domestic)**



**B-Control OPL (International)**



**B-Control Coin (Domestic)**



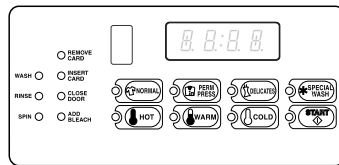
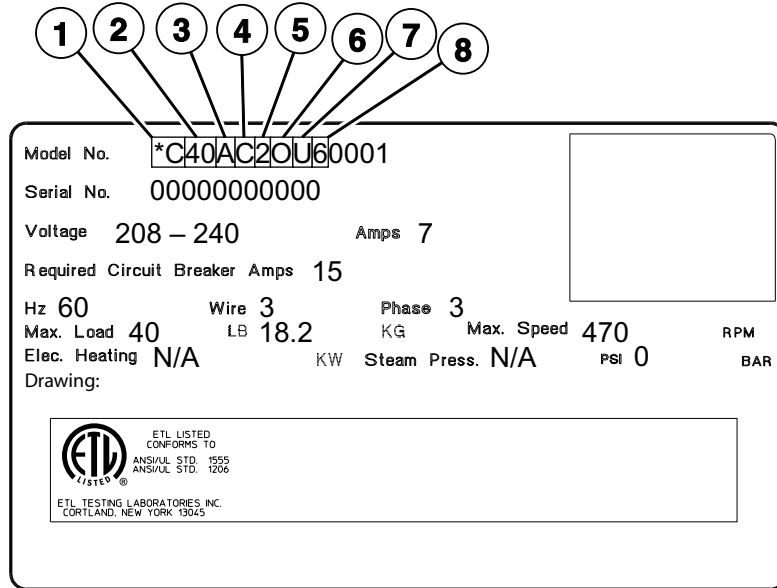
**B-Control Coin (International)**

CHM2976P\_F232129

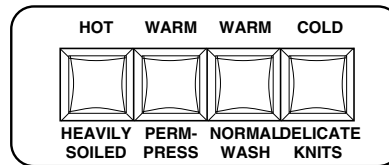
## Product Overview for A and B-Control

REF	PART NO.	DESCRIPTION	COMMENTS
1	-	Product Family	DC HC NC SC UC
2	-	Capacity (Pounds)	18 20 25 27 30 35 40 50 60 80 100 125
3	-	Control	A (A-Control) B (B-Control)
4	-	Actuation	C (Drop Coin Meter) D (Digital Coin Meter) L (Prep for Remote/Central Pay) N (Non-Coin - OPL) R (Cardmate Plus II) X (Prep for Coin Meter) Y (Prep for Card Reader)
5	-	Speed	2 (2-Speed) 3 (3-Speed) F (F-Speed) V (Variable Speed)
6	-	Voltage	B (120/60/1/2) C (380-415/50/3/3) D (220-240/50/3/3) E (220-240/50/1/2) F (440-480/60/3/3) J (220/50/3/3) N (440-480/50-60/3/3) O (200-240/60/3/3) P (380-415/50-60/3/3) Q (200-240/50-60/3/3) X (200-240/50-60/1/3) Y (208-240/60/1/2)
7	-	Side Panel	N (Network Board Installed) P (Network Adaptable) U (Standard Specs) 1 (Stainless Steel) 2 (Network Board Installed with Stainless Sides) 3 (Network Adaptable with Stainless Sides)
8	-	Design	1-4 and 6

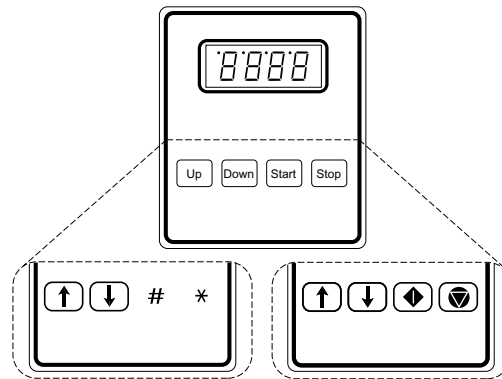
# Product Overview for NetMaster, Mechanical Timer and P, S and V-Computer



NetMaster



Mechanical Timer



P, S and V-Computer

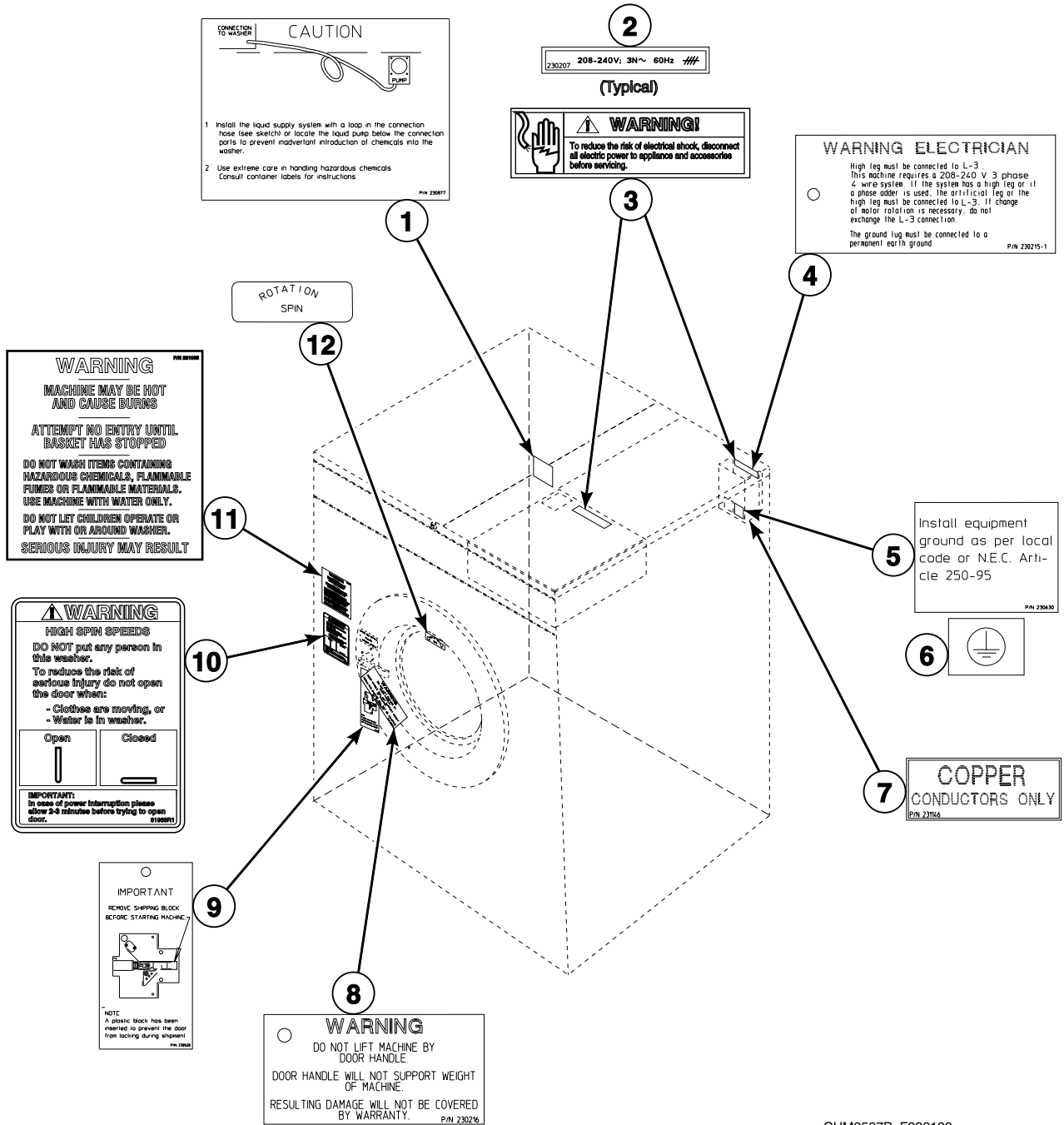
CHM2977P\_F232129



# Product Overview for NetMaster, Mechanical Timer and P, S and V-Computer

REF	PART NO.	DESCRIPTION	COMMENTS
1	-	Product Family	DC HC NC SC UC
2	-	Capacity (Pounds)	18 20 25 27 30 35 40 50 60 80 100 125
3	-	Control	M (Mechanical Timer) N (NetMaster) P (P-Computer) S (S-Computer) V (V-Computer)
4	-	Actuation	C (Drop Coin Meter) D (Digital Coin Meter) L (Prep for Remote/Central Pay) N (Non-Coin - OPL) R (Cardmate Plus II) X (Prep for Coin Meter) Y (Prep for Card Reader)
5	-	Speed	2 (2-Speed) 3 (3-Speed) F (F-Speed) V (Variable Speed)
6	-	Voltage	B (120/60/1/2) C (380-415/50/3/4) D (220-240/50/3/3) E (220-240/50/1/2) F (440-480/60/3/3) J (220/50/3/3) N (440-480/50-60/3/3) O (200-240/60/3/3) P (380-415/50-60/3/3) Q (200-240/50-60/3/3) X (200-240/50-60/1/3) Y (208-240/60/1/2)
7	-	Side Panel	N (Network Board Installed) P (Network Adaptable) U (Standard Specs) 1 (Stainless Steel) 2 (Network Board Installed with Stainless Sides) 3 (Network Adaptable with Stainless Sides)
8	-	Design	1-4 and 6

# Decals



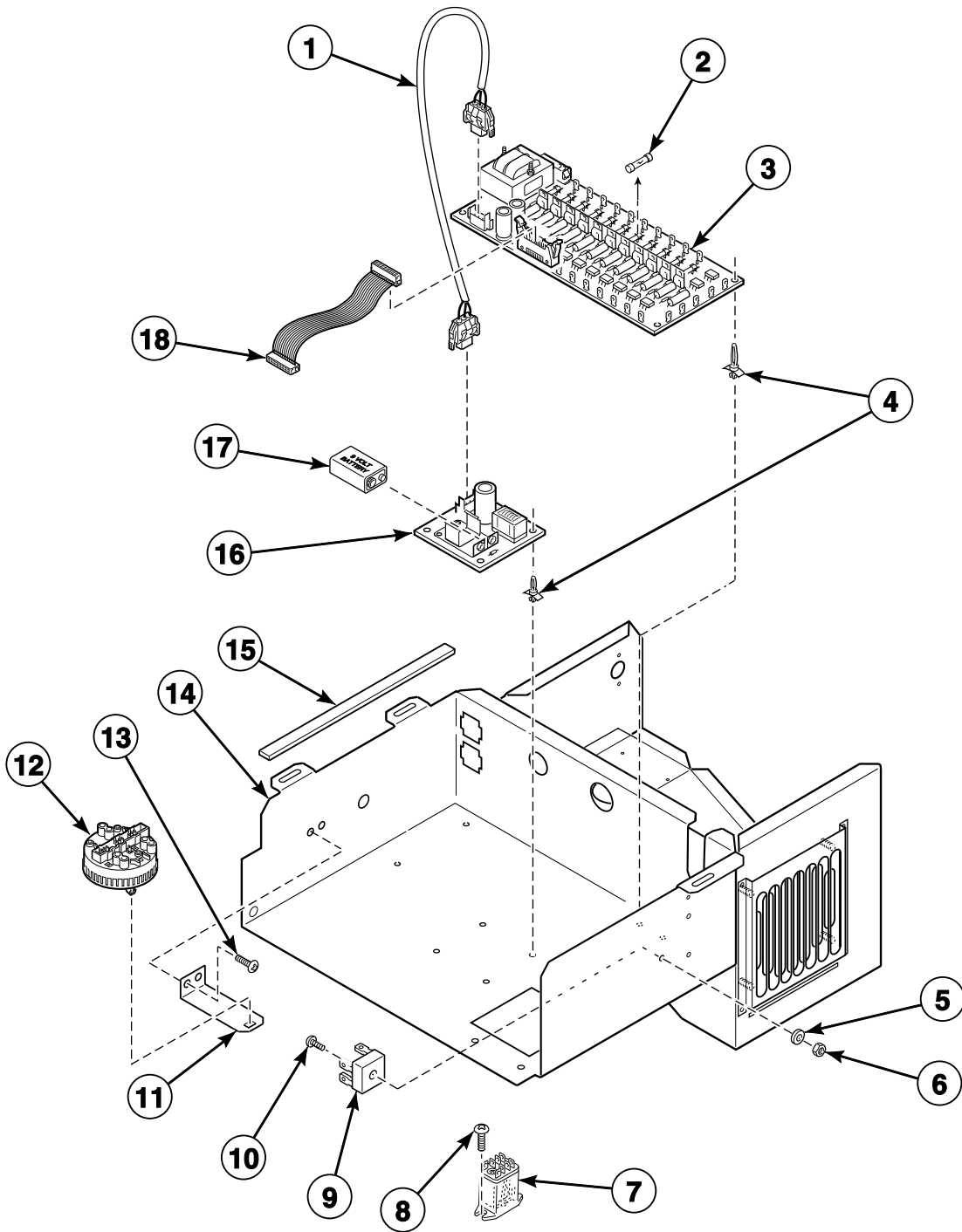
CHM2597P\_F232129

# Decals

REF	PART NO.	DESCRIPTION	COMMENTS
1	F230877	Liquid Supply Decal	
2	N/A	Decal	
3	D505281	Disconnect Power Warning Label	
4	N/A	Voltage Warning Decal	
5	F230630	Ground Decal	
6	F230739	Ground Decal	
7	F231146	Conductor Decal	
8	F230216	Do Not Lift Decal	
9	F230528	Remove Door Lock Tag	
10	81968	Door Warning Label	
11	F231065	Personal Injury Warning Decal	
12	F230693	Counterclockwise Spin Rotation Decal	

N/A = Part no longer available

# Control Module



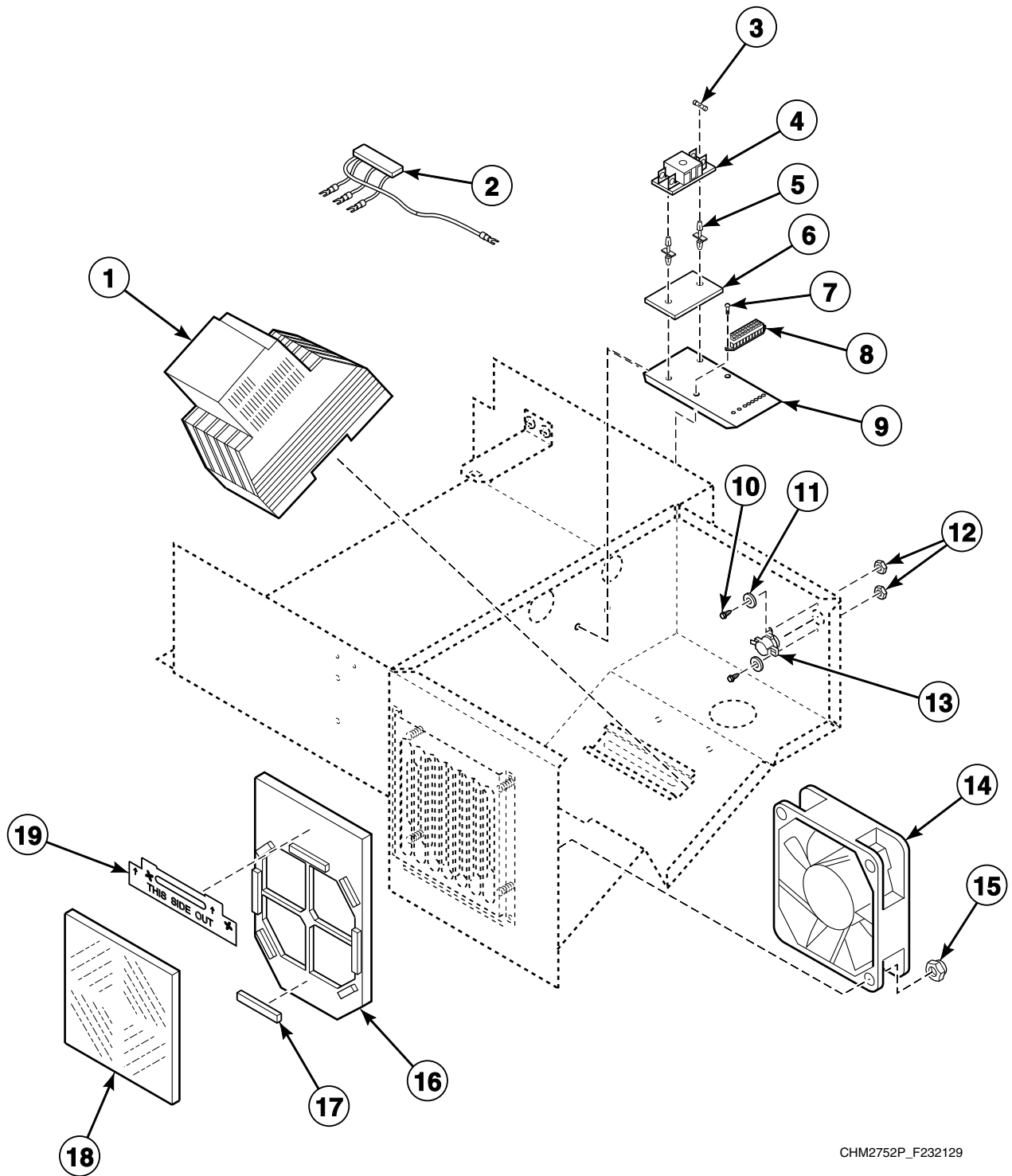
CHM1679P\_F232129

# Control Module

REF	PART NO.	DESCRIPTION	COMMENTS
1	F140249	Battery Backup Wire Harness	Models through 5/14/2000
2	F350108	Fuse	1/8 Amp
	F350109	Fuse	1/2 Amp
	F350110	Fuse	1 Amp
3	N/A	Output CCA	Requires items 1, 16 and 17; Models through 5/14/2000
	F8206501P	Output Board VCMP Assembly	Does not require items 1, 16 and 17; Models starting 5/15/2000
4	F180501	Standoff	
5	F430325	Washer	
6	F430232	Nut	
7	F330227	Flange Relay	
8	F430482	Screw	
9	F370310	Bridge Rectifier	
10	F430916	Screw	
11	F631920	Water Level Switch Bracket	
12	F0340343-10P	Water Level Switch	Models SC18VNV, SC27VNV, UC18VNV and UC27VNV
	F0340345-10P	Water Level Switch	Models SC35VNV, SC50VNV, UC35VNV and UC50VNV
13	N/A	Screw	
14	F633380-3	Control Box Assembly	Models through 5/14/2000
	F633380-4	Control Box Assembly	CE models through 5/14/2000
	F0635628-03	Control Box Assembly	Models starting 5/15/2000
	F0635628-04	Control Box Assembly	CE models starting 5/15/2000
15	F170128	Sponge Rubber	Order 2 feet
16	F370529P	Battery Adapter Board	Models through 5/14/2000
17	F191101	Battery	9 Volt; Models through 5/14/2000
18	F140247	Ribbon Cable	26 pin; 8 inches

**N/A = Part no longer available**

# AC Drive



CHM2752P\_F232129

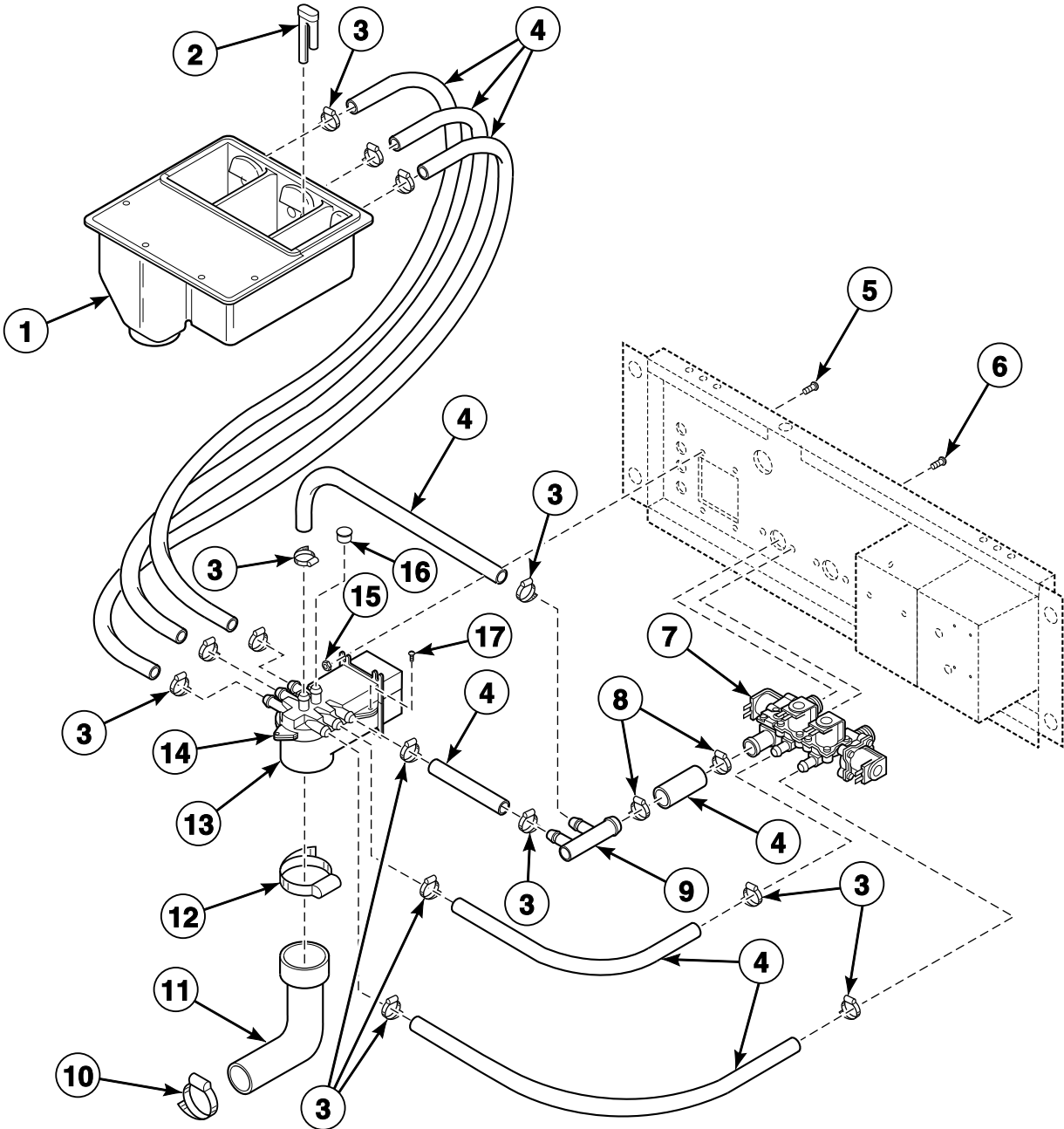
## AC Drive

REF	PART NO.	DESCRIPTION	COMMENTS
	F0360159-00A	Line Reactor Kit	Use with F370857 Inverter Drive
	F0360165-00P	Line Reactor Kit	Use with F370858 Inverter Drive
1	N/A	AC Drive Kit	Models SC18VNV, SC27VNV, UC18VNV and UC27VNV; 230 Volt; Models through 8/1/99
	N/A	Inverter Drive	Models SC18VNV, SC27VNV, UC18VNV and UC27VNV; 230 Volt; Models starting 8/2/99
	N/A	AC Drive Kit	Models SC18VNV, SC27VNV, UC18VNV and UC27VNV; 460 Volt; Models through 8/1/99
	F370856	Inverter Drive	Models SC18VNV, SC27VNV, UC18VNV and UC27VNV; 460 Volt; Models starting 8/2/99
	F798718	AC Drive Kit	Models SC35VNV, SC50VNV, UC35VNV and UC50VNV; 230 Volt; Models through 8/1/99
	F370857	Inverter Drive	Models SC35VNV, SC50VNV, UC35VNV and UC50VNV; 230 Volt; Models starting 8/2/99
	F798719	AC Drive Kit	Models SC35VNV, SC50VNV, UC35VNV and UC50VNV; 460 Volt; Models through 8/1/99
	F370858	Inverter Drive	Models SC35VNV, SC50VNV, UC35VNV and UC50VNV; 460 Volt; Models starting 8/2/99
2	F200320900	AC Drive Radio Filter Assembly	
3	F350110	Fuse	1 Amp
	F350117	Fuse	2 Amp
4	F0350312-10	Fuse Holder	
5	F180501	Standoff	
6	F231393	Fuse Decal	1 Amp
	F231394	Fuse Decal	2 Amp
7	N/A	Screw	
8	F140768	Terminal	
9	F633322	Fuse Terminal Mounting Bracket	
10	F430928	Screw	
11	F431113	Washer	
12	F431022	Nut	
13	F290115	Thermostat	
14	F110106	Muffin Fan	
15	F431016	Nut	
16	F633321	Cooling Fan Filter Slide	
17	F140639	Velcro	
18	F0270321-00P	Filter	
19	F231377	Filter Handle Decal	

**N/A = Part no longer available**

# Dispenser and Valve Assembly - Mueller Valves

Models Through 8/2/98



CHM2023P\_F232129



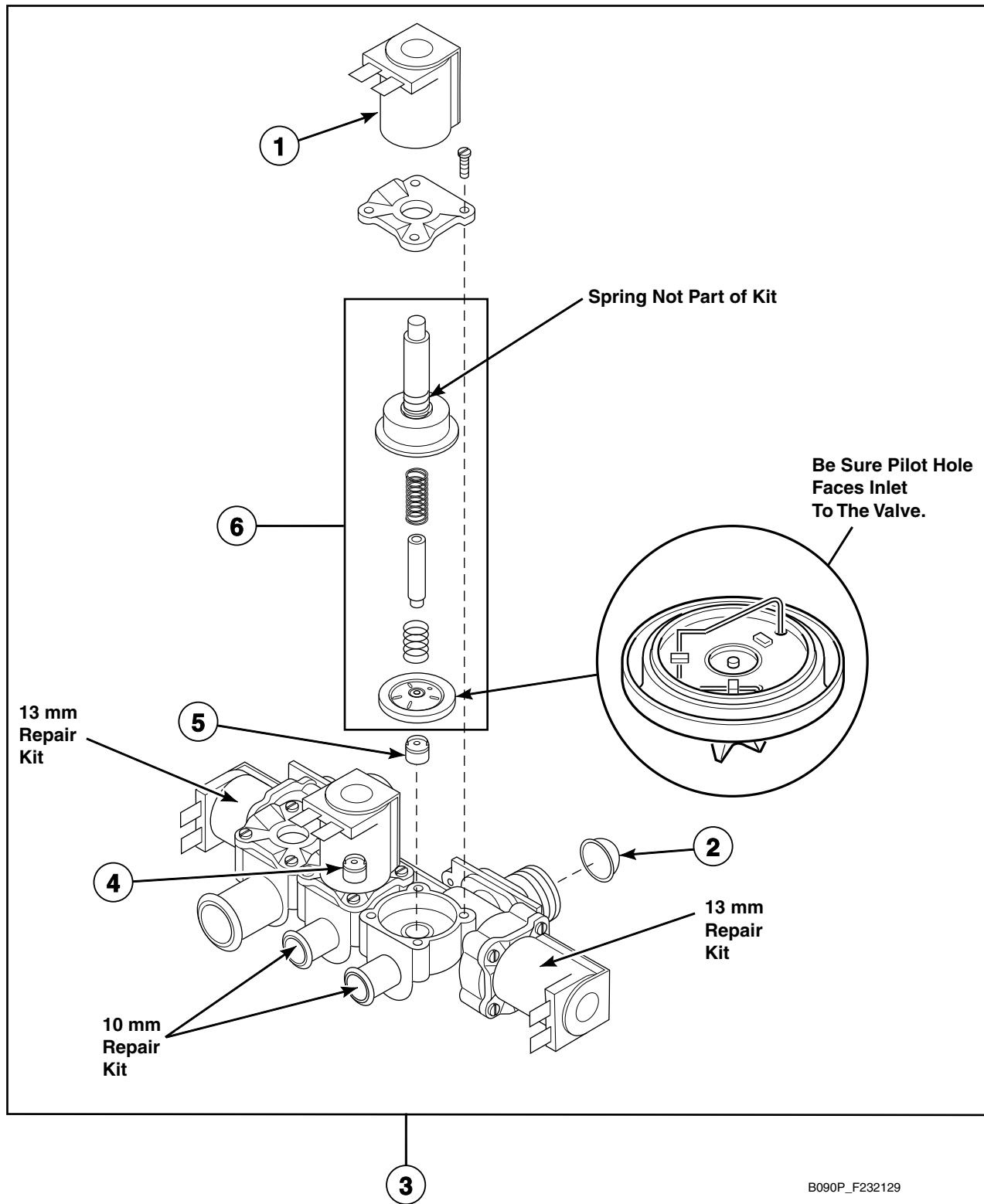
## Dispenser and Valve Assembly - Mueller Valves

REF	PART NO.	DESCRIPTION	COMMENTS
1	F602374	Supply Dispenser Sub-Assembly	
2	F150390	Siphon Tube	
3	36801	Hose Clamp	
4	F200108P	Water Hose	3/8 inch
5	F430917	Screw	
6	F430948	Screw	
7	F798709	Elbi Conversion Kit	Standard thread; Includes F270200 Strainer
	F798710	3-Way Mixing Valve Kit	Metric thread; Includes F270200 Strainer
	F380900	Coil	
8	F200205	Hose Clamp	No. 10
9	F8333201	Manifold	
10	N/A	Hose Clamp	No. 48
11	F150321	Vacuum Breaker Hose	Models SC18VNV, SC35VNV, UC18VNV and UC35VNV
	F150372	Fill Hose	Models SC27VNV and UC27VNV
	F150340	Vacuum Breaker Hose	Models SC50VNV and UC50VNV
12	F200213	Hose Clamp	No. 40
13	F015033000	Vacuum Breaker Bottom	
14	F0150329-00	Vacuum Breaker Top	
15	F430231	Nut	
16	F190301	Cap Plug	
17	F430177	Screw	

N/A = Part no longer available

# Valve Assembly - Mueller

Models Through 8/2/98



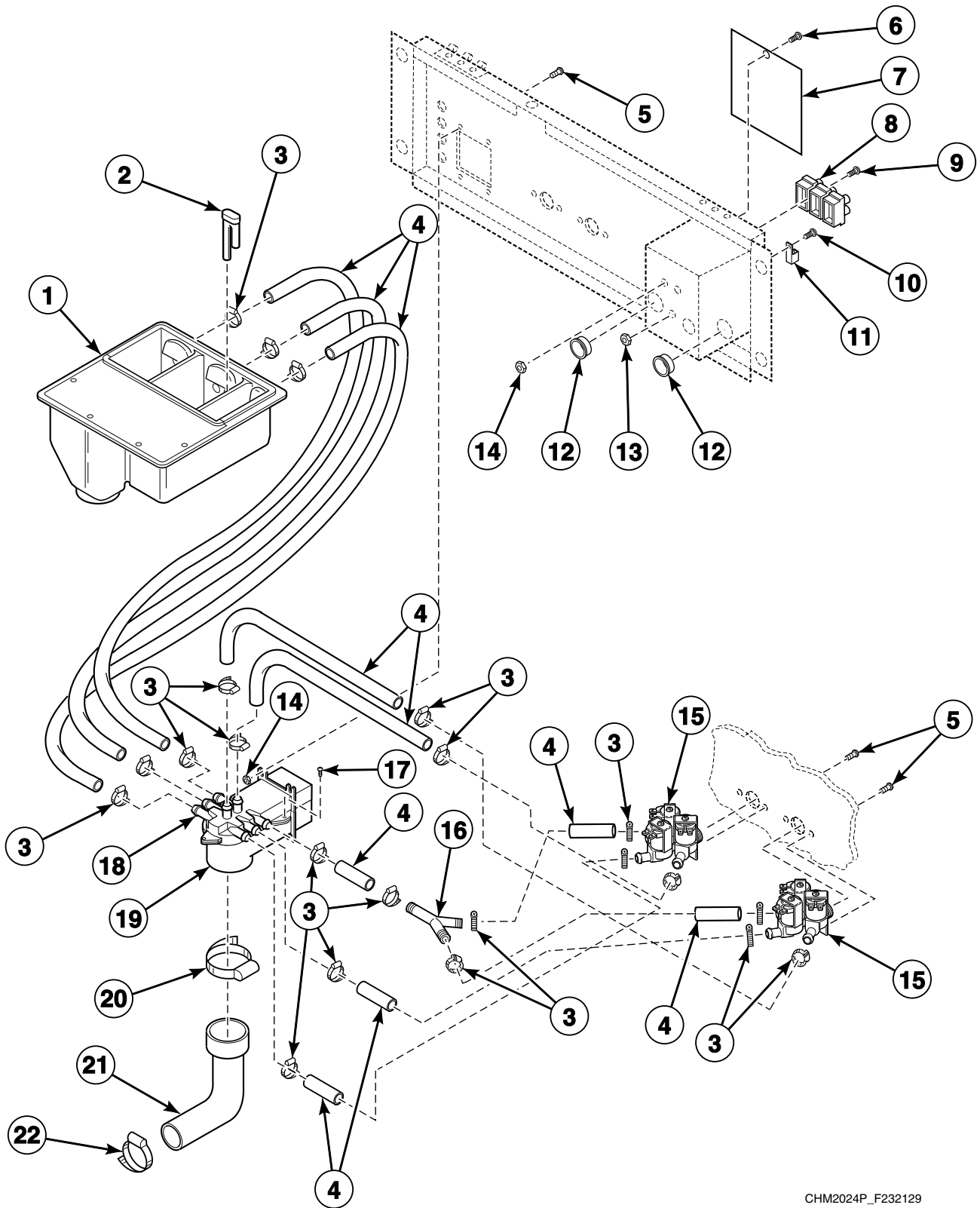
B090P\_F232129

## Valve Assembly - Mueller

REF	PART NO.	DESCRIPTION	COMMENTS
1	F380900	Coil	
2	F270200	Strainer	
3	F798709	Elbi Conversion Kit	Standard thread; Includes F270200 Strainer
	F798710	3-Way Mixing Valve Kit	Metric thread; Includes F270200 Strainer
4	F380958	Flow Restrictor	4 mm
5	F380957	Flow Restrictor	2.8 mm
6	F380954	Valve Repair Kit	10 mm; Top
	F380939	Valve Repair Kit	13 mm; Ends

# Dispenser and Valve Assembly - Elbi Valves

Models Starting 8/3/98



CHM2024P\_F232129

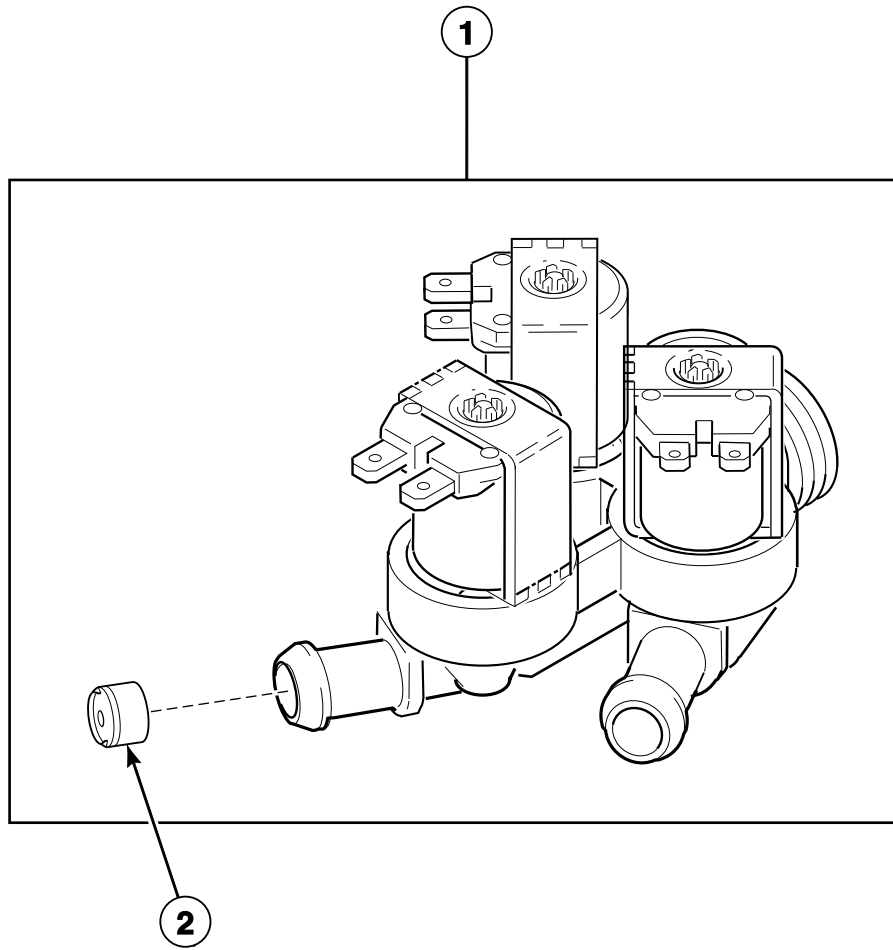
## Dispenser and Valve Assembly - Elbi Valves

REF	PART NO.	DESCRIPTION	COMMENTS
1	F602374	Supply Dispenser Sub-Assembly	
2	F150390	Siphon Tube	
3	36801	Hose Clamp	No. 6
4	F200108P	Water Hose	
5	F430948	Screw	
6	F430174	Screw	
7	F602533	Input Power Connection Box Cover	
8	F140748	Input Power Block	2 terminal
	F140747	Input Power Block	3 terminal
	M413865	Power Distribution Block	3 terminal; Electric heat models
9	F430938	Screw	
10	F430903	Screw	
11	F140734	Ground Terminal Lug	
12	F140909	Insulator Bushing	
13	F430232	Nut	
14	F430231	Nut	
15	F381720P	3-Way Valve	Standard thread; 120 Volt; Cold; Models upgraded with F798709 Elbi Conversion Kit
	F381728P	3-Way Valve	Standard thread; 120 Volt; Hot; Models upgraded with F798709 Elbi Conversion Kit
	F381725P	3-Way Valve	Metric thread; 120 Volt
	F798709	Elbi Conversion Kit	120 Volt; Includes items 17, F430916 Screw, F430322 Washer, F140605 Cable Tie, F170400 Trim, F200207 Hose Clamp, F381720 3-Way Valve, F381728 3-Way Valve, F422802 Tee, F430177 Screw, 20290 Washer and F270200 Strainer
16	F422808	Y Connector	
17	F430177	Screw	
18	F0150329-00	Vacuum Breaker Top	
19	F015033000	Vacuum Breaker Bottom	
20	N/A	Hose Clamp	No. 48
21	F150321	Vacuum Breaker Hose	Models SC18VNV, SC35VNV, UC18VNV and UC35VNV
	F150372	Fill Hose	Models SC27VNV and UC27VNV
	F150340	Vacuum Breaker Hose	Models SC50VNV and UC50VNV
22	F200213	Hose Clamp	No. 40

**N/A = Part no longer available**

# Valve Assembly - Elbi

Models Starting 8/3/98

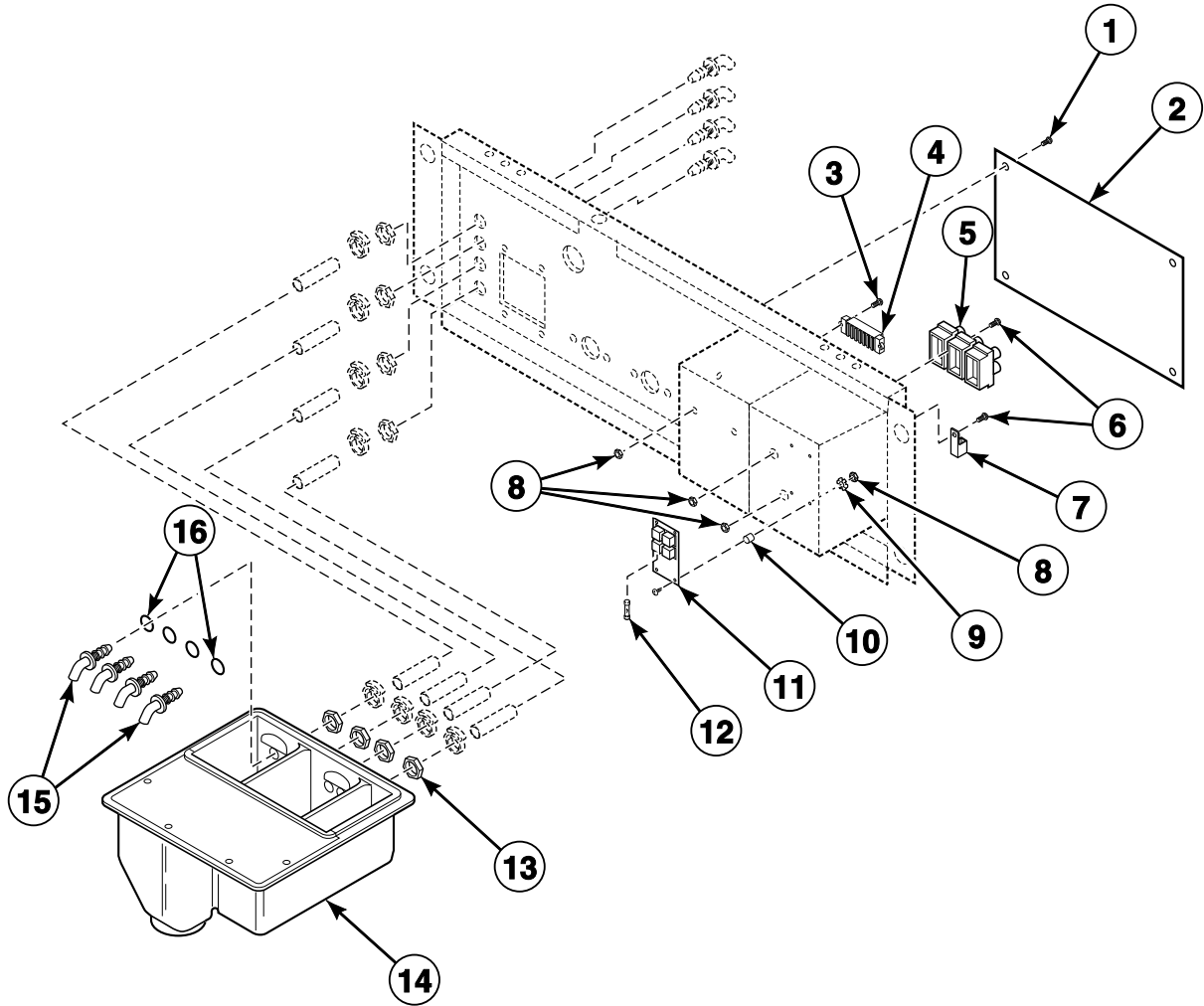


CHM1790P\_F232129

## Valve Assembly - Elbi

REF	PART NO.	DESCRIPTION	COMMENTS
1	F381720P	3-Way Valve	Standard thread; 120 Volt; Cold; Models upgraded with F798709 Elbi Conversion Kit
	F381728P	3-Way Valve	Standard thread; 120 Volt; Hot; Models upgraded with F798709 Elbi Conversion Kit
	F381725P	3-Way Valve	Metric thread; 120 Volt
	F798709	Elbi Conversion Kit	120 Volt; Includes F430916 Screw, F430322 Washer, F140605 Cable Tie, F170400 Trim, F200207 Hose Clamp, F381720 3-Way Valve, F381728 3-Way Valve, F422802 Tee, F430177 Screw, 20290 Washer and F270200 Strainer
	G582P3	Diaphragm and Guide Kit	Includes diaphragm and armature guide
2	F380119	Flow Restrictor	

# Automatic Supply Dispenser



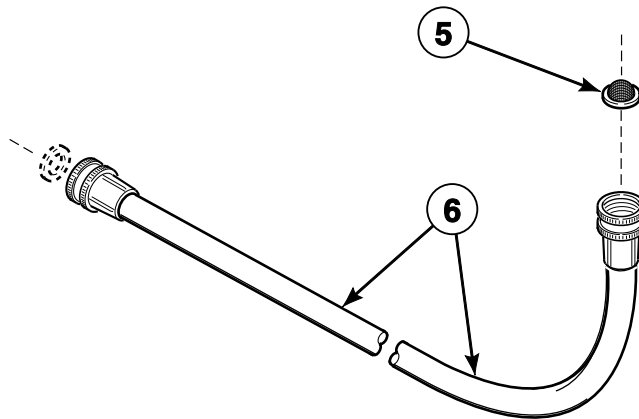
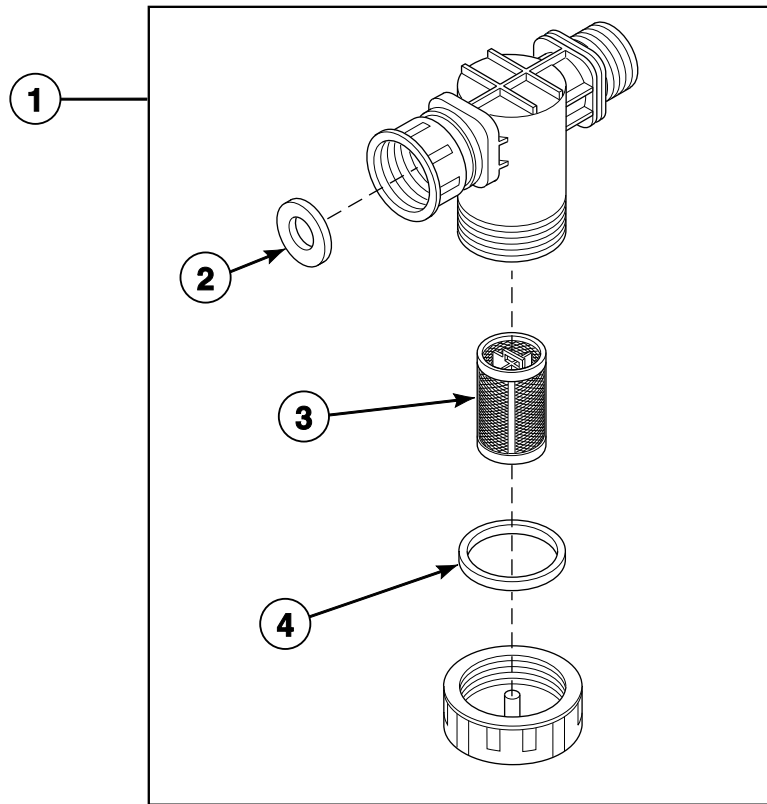
CHM1333P\_F232129



## Automatic Supply Dispenser

REF	PART NO.	DESCRIPTION	COMMENTS
	F730168	Injection Nozzle Kit	Includes items 13, 15 and 16
1	F430174	Screw	
2	F633260	Power Supply Cover	
3	F430938	Screw	
4	F140768	Terminal	10 pole
5	F140748	Input Power Block	2 terminal
	F140747	Input Power Block	3 terminal
	M413865	Power Distribution Block	3 terminal; Electric heat models
6	F430903	Screw	
7	F140734	Ground Terminal Lug	
8	F431022	Nut	
9	F431113	Washer	
10	F180506	Standoff	
11	F0350312-10	Fuse Holder	
12	F350115	Fuse	
13	802292	Nut	
14	F602374	Supply Dispenser Sub-Assembly	
15	F8322001	Injection Nozzle	
16	801632	O-Ring	

# Filter (Optional) and Supply Hose

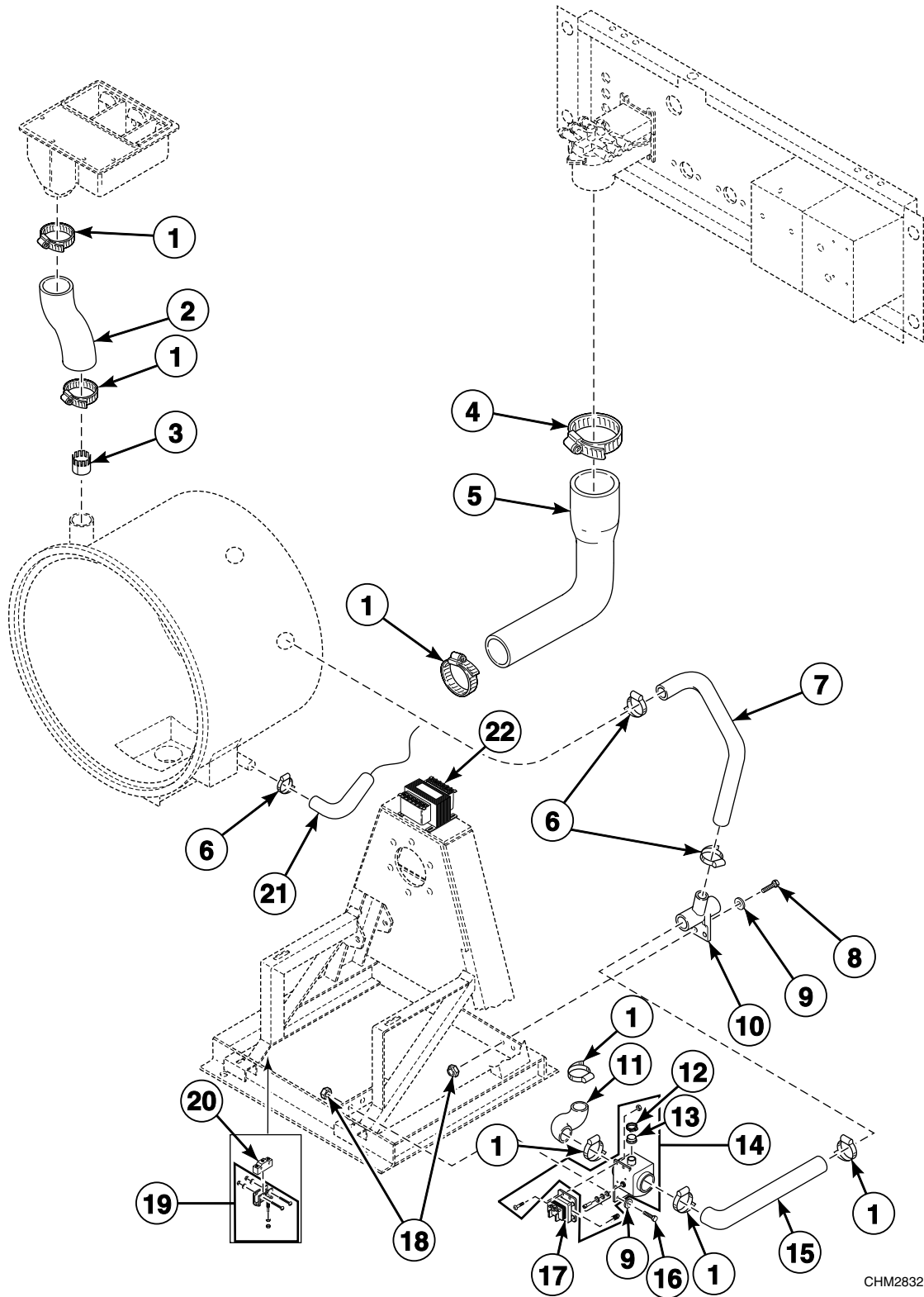


B091P\_F232129

## Filter (Optional) and Supply Hose

REF	PART NO.	DESCRIPTION	COMMENTS
1	F270306P	Filter	Hose thread
	F270305	Filter	Metric thread
2	20290	Washer	
3	F270406	Replacement Filter	.11 mm
	F270405	Replacement Filter	.25 mm
4	F270407	Filter Housing Cap Gasket	
5	803615	Washer	Filter
6	F200116	Water Hose	3/8 inch; Hose thread
	F200164	Water Hose	3/4 inch; Hose thread
	F200165	Water Hose	1/2 inch; Metric thread
	F200166	Water Hose	3/4 inch; Metric thread

# Drain Valve, Hoses and Air Trap



CHM2832P\_F232129

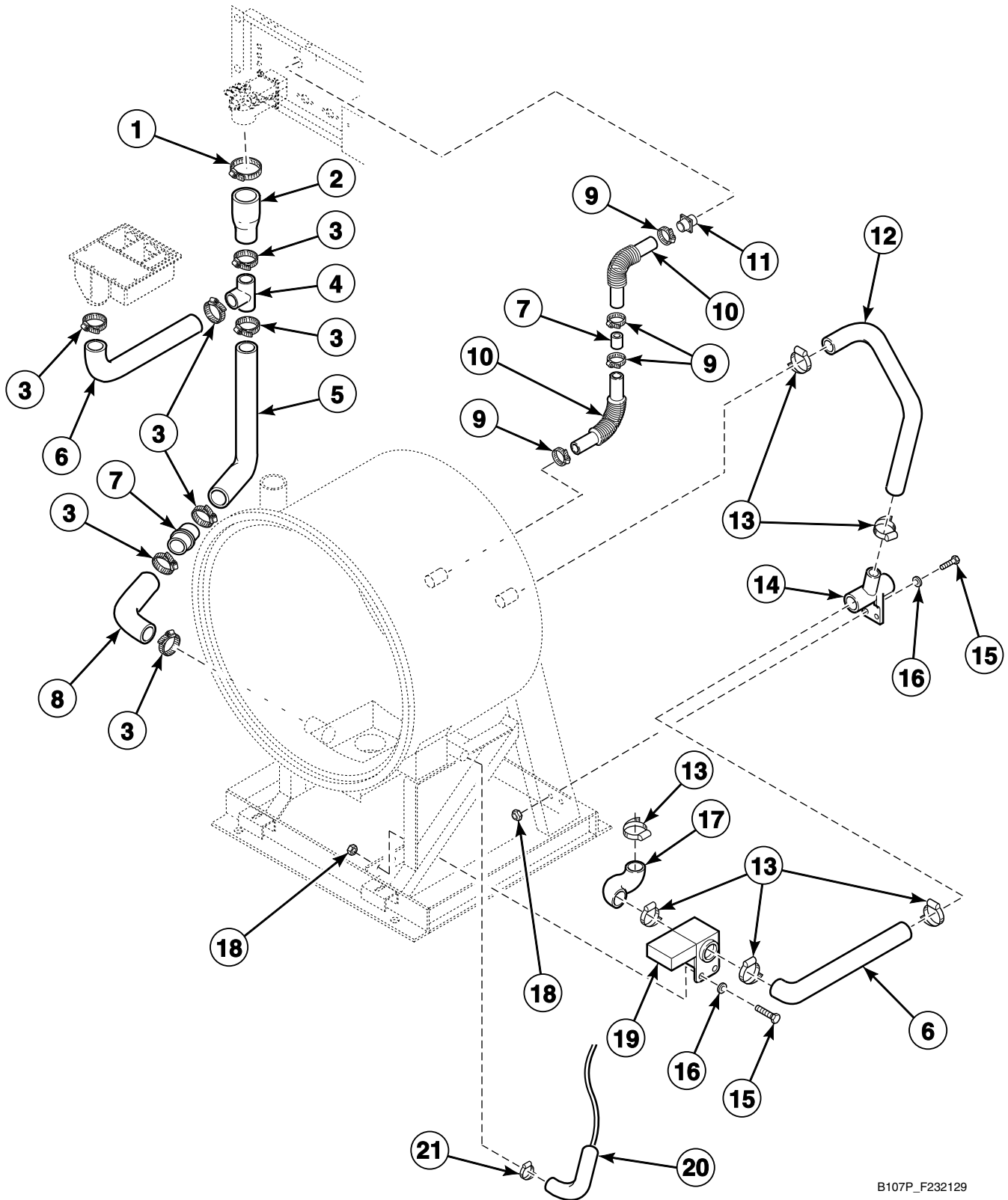
## Drain Valve, Hoses and Air Trap

REF	PART NO.	DESCRIPTION	COMMENTS
	F8504601	Spring	Use with 803293 Drain Valve
	F8504701	Spring	Use with F038062800 Drain Valve
1	F200213	Hose Clamp	No. 40
2	F150309	Soap Dispenser Hose	
3	F150419	Supply Dispenser Baffle	Optional; Used to prevent water entering the supply dispenser during an extraction step
4	N/A	Hose Clamp	No. 48
5	F150321	Vacuum Breaker Hose	Models SC18VNV, SC35VNV, UC18VNV and UC35VNV
	F150372	Fill Hose	Models SC27VNV and UC27VNV
	F150340	Vacuum Breaker Hose	Models SC50VNV and UC50VNV
6	F200205	Hose Clamp	No. 10
7	F200125800	Overflow Hose	Models SC18VNV and UC18VNV
	F150332	Overflow Hose	Models SC27VNV, SC35VNV, UC27VNV and UC35VNV
	F150417	Overflow Hose	Models SC50VNV and UC50VNV
8	F430927	Screw	Models SC18VNV, SC27VNV, SC35VNV, UC18VNV, UC27VNV and UC35VNV
	F430103	Screw	Models SC50VNV and UC50VNV
9	F430317	Washer	
10	F8017101	Drain Connector Tee	
11	F150312	Front Drain Hose	Models SC18VNV, SC27VNV, SC35VNV, UC18VNV, UC27VNV and UC35VNV
	F8035801	Front Drain Hose	Models SC50VNV and UC50VNV
12	F200215	Hose Clamp	Models SC50VNV and UC50VNV; No. 28
13	F150352	Overflow Plug	Models SC50VNV and UC50VNV
14	803293	Drain Valve	Models SC18VNV, SC27VNV, SC35VNV, UC18VNV, UC27VNV and UC35VNV; 2 inch; Includes items 12, 13 and hardware
	F8406304	Drain Valve	Models SC50VNV and UC50VNV; 3 inch; Includes hardware
15	F150311	Rear Drain Hose	Models SC18VNV and UC18VNV
	F0150331-00	Drain Hose	Rear; Models SC27VNV, SC35VNV, UC27VNV and UC35VNV
	F150356	Drain Hose	Models SC50VNV and UC50VNV; For machines with rear-mounted drain valves
	F200123500	Drain Hose	Models SC50VNV and UC50VNV; For machines with front-mounted drain valves
16	F430103	Screw	
17	F380943P	Drain Motor	
18	F430215	Nut	
19	F340913	Switch Extension	Models SC35VNV, SC50VNV, UC35VNV and UC50VNV; Includes all hardware
20	F340901	Switch	Models SC35VNV, SC50VNV, UC35VNV and UC50VNV
21	F020014200	Air Trap Hose	
22	C000203	Transformer	

**N/A = Part no longer available**

# Drain Valve, Hoses and Air Trap - Old Style

Models SC27VNV and UC27VNV



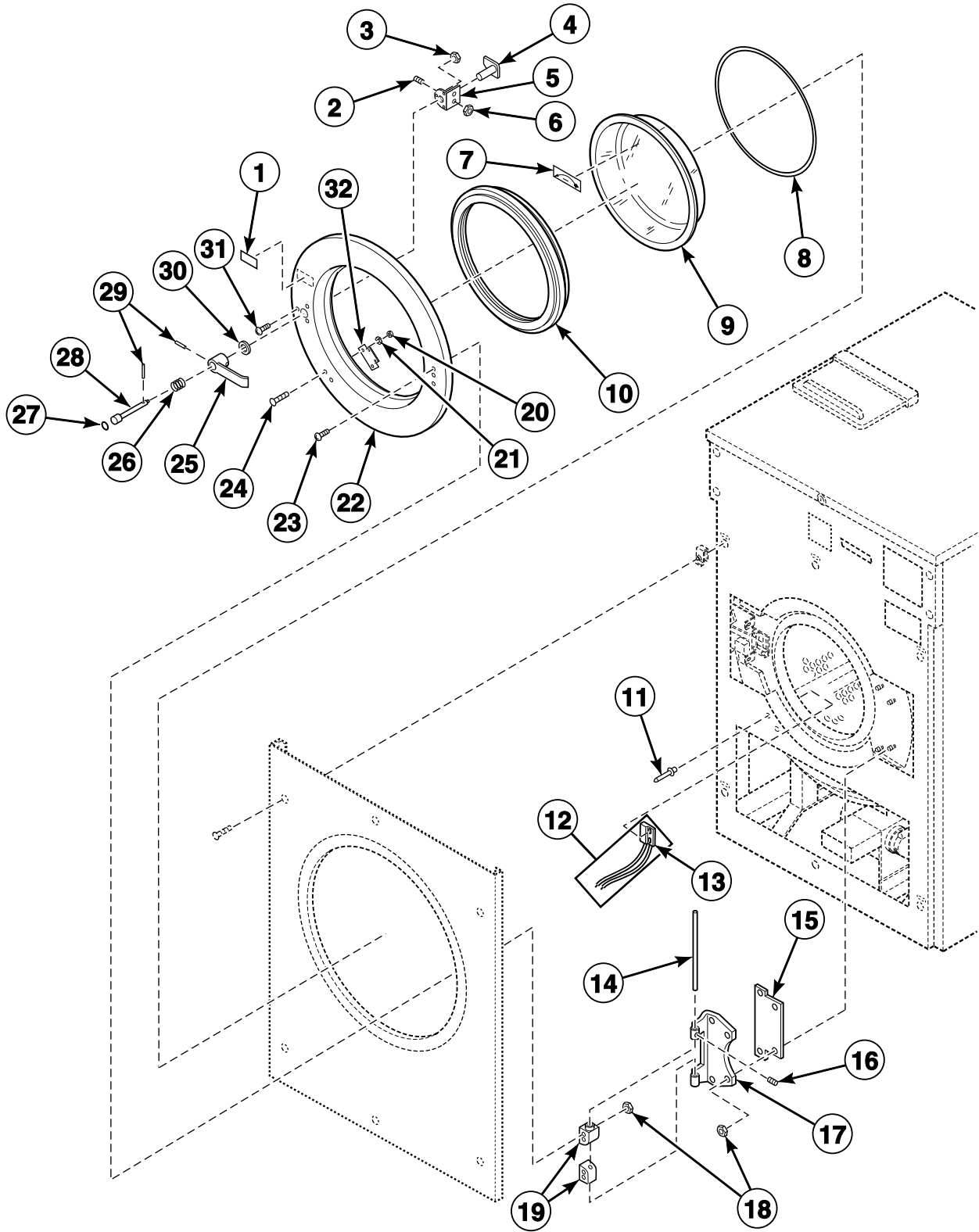
B107P\_F232129

## Drain Valve, Hoses and Air Trap - Old Style

REF	PART NO.	DESCRIPTION	COMMENTS
	F8504601	Spring	
1	N/A	Hose Clamp	No. 48
2	F150321	Vacuum Breaker Hose	
3	F200213	Hose Clamp	No. 40
4	F422817	Tee	
5	F150308	Overflow Hose	
6	F0150331-00	Drain Hose	Rear
7	F608237	Pipe	
8	F150414	Bottom Fill Hose	
9	F200204	Hose Clamp	No. 20
10	F200170	Vent Hose	
11	F422517	Vent Nipple	
12	F150332	Overflow Hose	
13	F200215	Hose Clamp	No. 28
14	F8017101	Drain Connector Tee	
15	F430103	Screw	
16	F430317	Washer	
17	F150312	Front Drain Hose	
18	F430215	Nut	
19	803293	Drain Valve	120 Volt; 2 inch
20	F020014200	Air Trap Hose	
21	F200205	Hose Clamp	No. 10

**N/A = Part no longer available**

# Door



CHM2987P\_F232129

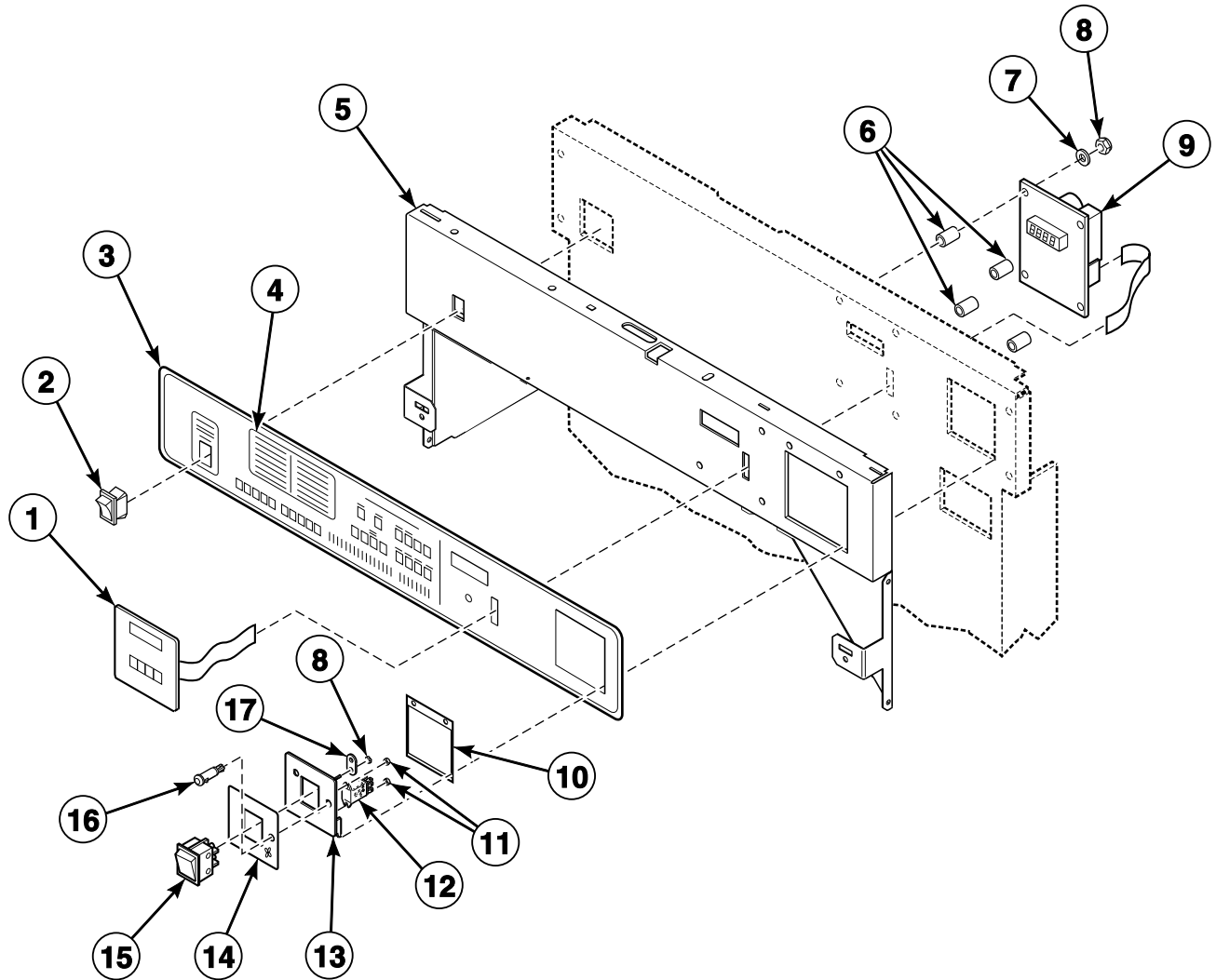


# Door

REF	PART NO.	DESCRIPTION	COMMENTS
1	F230661	Push Red Button Decal	
2	F430532	Screw	Models SC18VNV and UC18VNV
	F430533	Screw	Models SC27VNV, SC35VNV, SC50VNV, UC27VNV, UC35VNV and UC50VNV
3	F430232	Nut	
4	F730155	Door Handle Kit	Includes items 2, 5, 6 and 24-28
5	F0150273-00	Door Spacer	
6	F431041	Nut	
7	F230693	Counterclockwise Spin Rotation Decal	
8	F170209	O-Ring	Models SC18VNV and UC18VNV; Optional; Used to tighten door seal
9	F290205P	Door Glass Kit	Models SC18VNV and UC18VNV
	F8485301P	Door Glass	Models SC27VNV, SC35VNV, UC27VNV and UC35VNV
	F8485401P	Door Glass	Models SC50VNV and UC50VNV
10	F200000200	Door Gasket	Models SC18VNV and UC18VNV
	F170123	Door Gasket	Models SC27VNV, SC35VNV, UC27VNV and UC35VNV
	F170124	Door Gasket	Models SC50VNV and UC50VNV
11	J1111905	Blind Rivet	
12	F200321200	Magnetic Switch Assembly	
13	F0340723-00	Magnetic Switch	
14	F602813-2	Rod	Models SC18VNV, SC27VNV, SC35VNV, UC18VNV, UC27VNV and UC35VNV
	F602813-3	Rod	Models SC50VNV and UC50VNV
15	F200131000P	Door Hinge Shim Kit	As required
16	F430536	Screw	
17	F190216P	Door Hinge	
18	F430215	Nut	
19	F150271	Door Mount	
20	F431022	Nut	
21	F431113	Washer	
22	F604079-3	Door Assembly	Models SC18VNV and UC18VNV; Includes items 4, 5, 9, 10, 13, 16, 24, 27 and 31
	F603239-2	Door Assembly	Models SC27VNV, SC35VNV, UC27VNV and UC35VNV; Includes items 4, 5, 9, 10, 13, 16, 24, 27 and 31
	F060390105	Door Assembly	Models SC50VNV and UC50VNV; Includes items 4, 5, 9, 10, 13, 16, 24, 27 and 31
23	F430974	Bolt	
24	F430916	Screw	
25	F150225	Door Handle	
26	F310125	Door Lock Spring	
27	F230662	Red Dot Decal	
28	F320300	Pushbutton Rod	
29	F431222	Spring Pin	
30	F431907	Washer	
31	F8535601	Screw	
32	F8390801	Magnet	

# Control Panel Decal and Controls

Design 4 Control Panel Decals



CHM2046P\_F232129

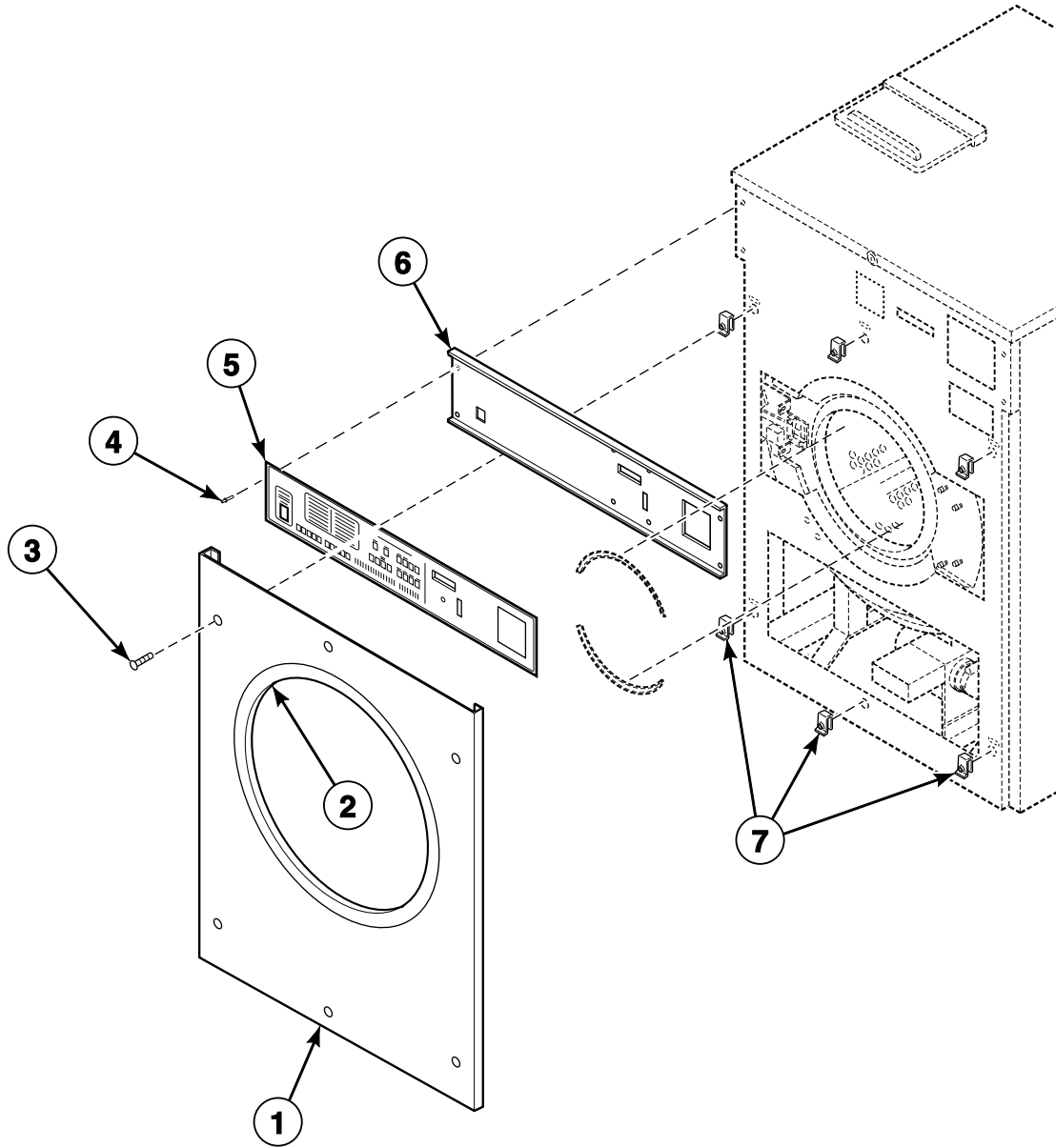
## Control Panel Decal and Controls

REF	PART NO.	DESCRIPTION	COMMENTS
	F633510	Switch Mounting Panel Assembly	Includes items 8 and 11-17
1	F370576P	Keypad	Models UC18VNV, UC27VNV, UC35VNV and UC50VNV
	F340608P	Membrane Switch	Models SC18VNV, SC27VNV, SC35VNV and SC50VNV
2	F340412	Momentary Switch	
3	F231498	Control Panel Decal	Model UC18VNV; Design 4
	N/A	Control Panel Decal	Model UC27VNV; Design 4
	F231496	Control Panel Decal	Model UC35VNV; Design 4
	N/A	Control Panel Decal	Model UC50VNV; Design 4
	F231467	Control Panel Decal	Model SC18VNV; Design 4
	F231468	Control Panel Decal	Model SC27VNV; Design 4
	F231469	Control Panel Decal	Model SC35VNV; Design 4
	F231470	Control Panel Decal	Model SC50VNV; Design 4
4	F231402	Overlay	Models UC18VNV, UC27VNV, UC35VNV and UC50VNV; U.S. models
	F231404	Overlay	Models SC18VNV, SC27VNV, SC35VNV and SC50VNV; U.S. models
5	F634808-2	Control Panel Assembly	Models SC18VNV and UC18VNV
	F634824-2	Control Panel Assembly	Models SC27VNV and UC27VNV
	F634827-2	Control Panel Assembly	Models SC35VNV and UC35VNV
	F634830-2	Control Panel Assembly	Models SC50VNV and UC50VNV
6	F401206	Spacer	
7	F430325	Washer	
8	F430232	Nut	
9	F370313-60P	Microcomputer	Models SC18VNV, SC27VNV, SC35VNV, UC18VNV, UC27VNV and UC35VNV
	F370313-13P	Microcomputer	Models SC50VNV and UC50VNV
10	F0634819-00	Coin Meter Mounting Shim	
11	F430231	Nut	
12	F330227	Flange Relay	
13	F633540	Switch Mounting Plate Sub-Assembly	
14	F231381	Switch Panel Decal	
15	F340411	Rocker Switch	Red
16	F350411	Light	Amber
17	F601515	Clip	

**N/A = Part no longer available**

# Front Panel and Extrusion Panel

Design 1-3 Control Panel Decals and Extrusion Panels



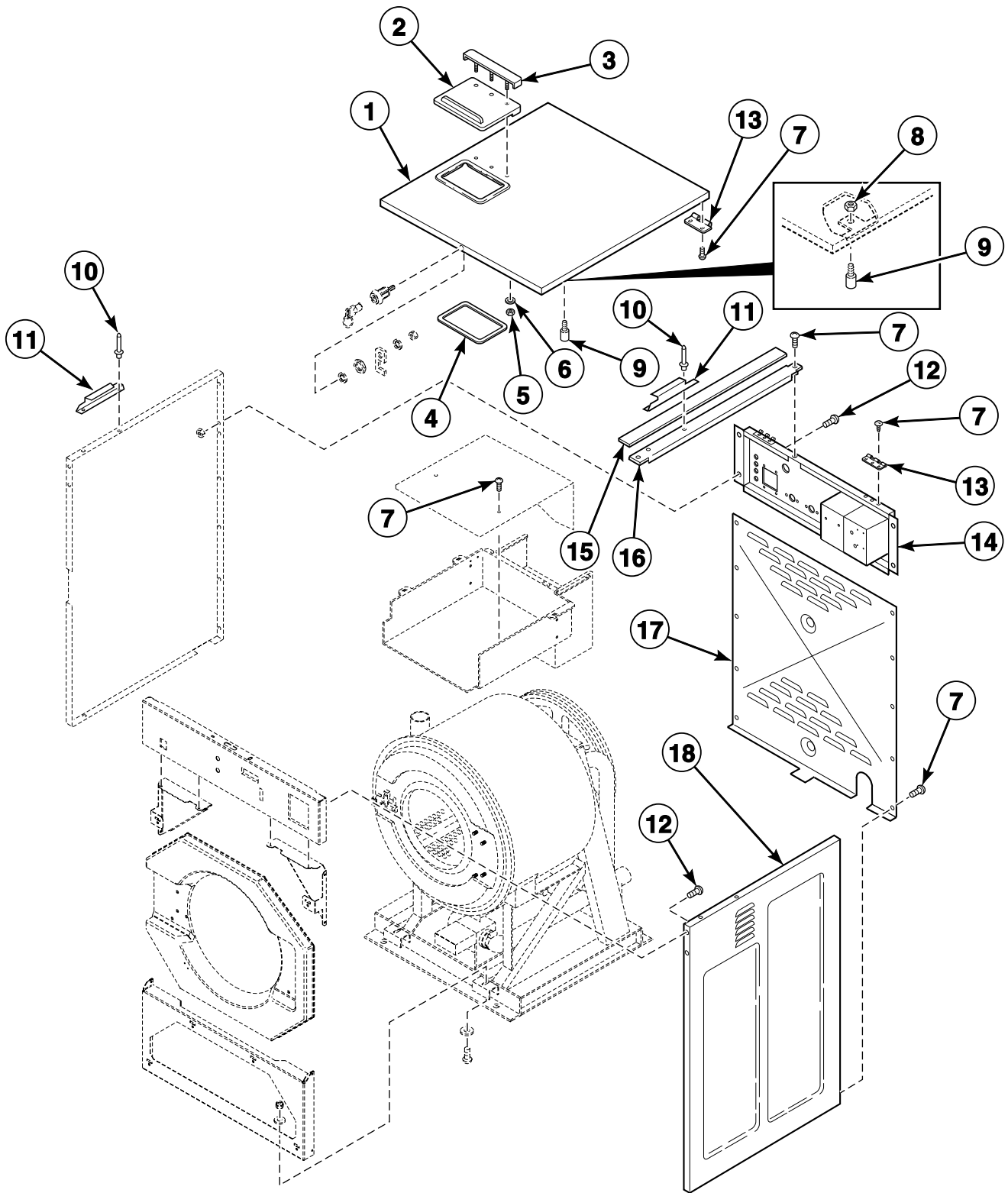
CHM1683P\_F232129

## Front Panel and Extrusion Panel

REF	PART NO.	DESCRIPTION	COMMENTS
1	F8200302P	Front Panel	Models SC18VNV and UC18VNV; Stainless steel
	F8200402P	Front Panel	Models SC27VNV and UC27VNV; Stainless steel
	F8292502	Front Panel	Models SC35VNV and UC35VNV; Stainless steel
	F8200602P	Front Panel	Models SC50VNV and UC50VNV; Stainless steel
2	F8679201P	Trim	Models SC18VNV and UC18VNV order 5 feet; Models SC27VNV, SC35VNV, UC27VNV and UC35VNV order 6 feet; Models SC50VNV and UC50VNV order 7 feet; Requires F8142701 Adhesive for installation
3	F430956	Screw	
4	F431210	Pop Rivet	
5	F231467	Control Panel Decal	Model SC18VNV; Designs 1-3
	N/A	Control Panel Decal	Model SC27VNV; Designs 1-3
	F231469	Control Panel Decal	Model SC35VNV; Designs 1-3
	F231470	Control Panel Decal	Model SC50VNV; Designs 1-3
	F230787	Control Panel Decal	Model UC18VNV; Designs 1-3
	N/A	Control Panel Decal	Model UC27VNV; Designs 1-3
	F231496	Control Panel Decal	Model UC35VNV; Designs 1-3
	F230790	Control Panel Decal	Model UC50VNV; Designs 1-3
6	F150326	Extrusion Panel	Models SC18VNV and UC18VNV; Designs 1-3
	F150403	Extrusion Control Panel	Models SC27VNV and UC27VNV; Designs 1-3
	N/A	Extrusion Panel	Models SC35VNV and UC35VNV; Designs 1-3
	F150325	Extrusion Panel	Models SC50VNV and UC50VNV; Designs 1-3
7	F430264	Nut	

**N/A = Part no longer available**

# Panels and Bezel Style Inner Front Panel (Drawing 1 of 2)



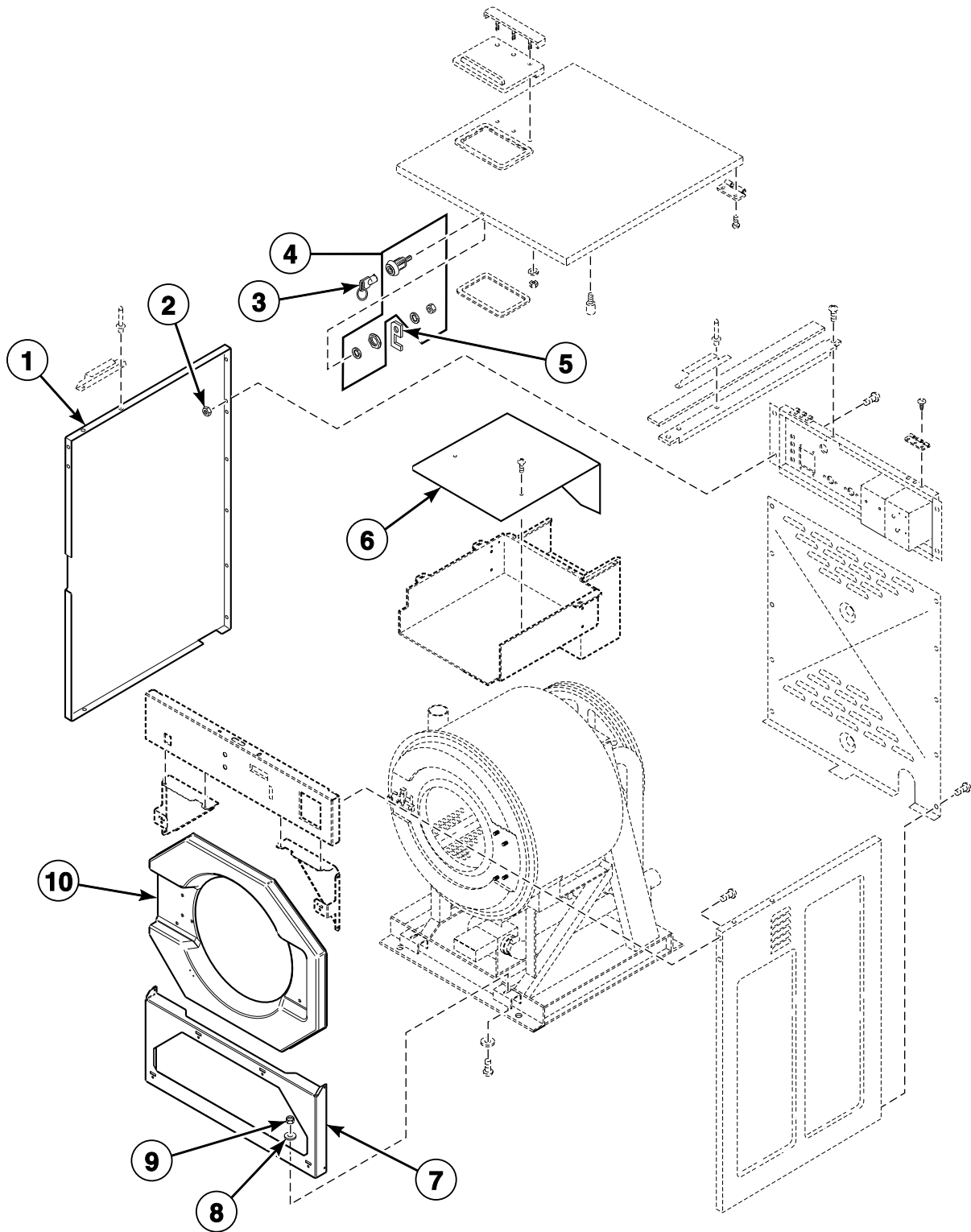
CHM1684P\_F232129

## Panels and Bezel Style Inner Front Panel (Drawing 1 of 2)

REF	PART NO.	DESCRIPTION	COMMENTS
1	F758003P	Top Cover Kit	Models SC18VNV and UC18VNV; Includes items 7 and 13
	F0798926-00	Top Cover Kit	Models SC27VNV and UC27VNV; Includes items 7 and 13
	F758001-01P	Top Cover Kit	Models SC35VNV and UC35VNV; Includes items 7 and 13
	F758000-01P	Top Cover Kit	Models SC50VNV and UC50VNV; Includes items 7 and 13
2	F200270500	Supply Dispenser Lid	
3	F630430	Lid Clamp Assembly	
4	F170170	Supply Dispenser Gasket	
5	F431024	Nut	
6	F431147	Washer	
7	F430174	Screw	
8	F430231	Nut	
9	F390300	Stud	
10	F431215	Pop Rivet	
11	F602722	Mounting Bracket	
12	F430925	Screw	
13	F190203P	Take-Apart Hinge	
14	F633494-1	Valve Panel Sub-Assembly	Models SC18VNV and UC18VNV
	F633494-2	Valve Panel Sub-Assembly	Models SC27VNV and UC27VNV
	F633494-3	Valve Panel Sub-Assembly	Models SC35VNV and UC35VNV
	F633494-4	Valve Panel Sub-Assembly	Models SC50VNV and UC50VNV
15	F170402P	Gasket	
16	F602620	Top Brace	Models SC18VNV and UC18VNV
	F631247	Top Brace	Models SC27VNV and UC27VNV
	F0603014-00	Top Brace	Models SC35VNV and UC35VNV
	F603227	Top Brace	Models SC50VNV and UC50VNV
17	F757000	Rear Panel Kit	Models SC18VNV and UC18VNV; Includes item 7
	F0636321-00P	Rear Panel	Models SC27VNV and UC27VNV
	F757003	Rear Panel Kit	Models SC35VNV and UC35VNV; Includes item 7
	F200022800P	Rear Panel	Models SC50VNV and UC50VNV
18	F633545	Right Side Panel	Models SC18VNV and UC18VNV
	N/A	Right Side Panel	Models SC27VNV and UC27VNV
	N/A	Right Side Panel	Models SC35VNV and UC35VNV
	F633323	Right Side Panel	Models SC50VNV and UC50VNV

N/A = Part no longer available

# Panels and Bezel Style Inner Front Panel (Drawing 2 of 2)



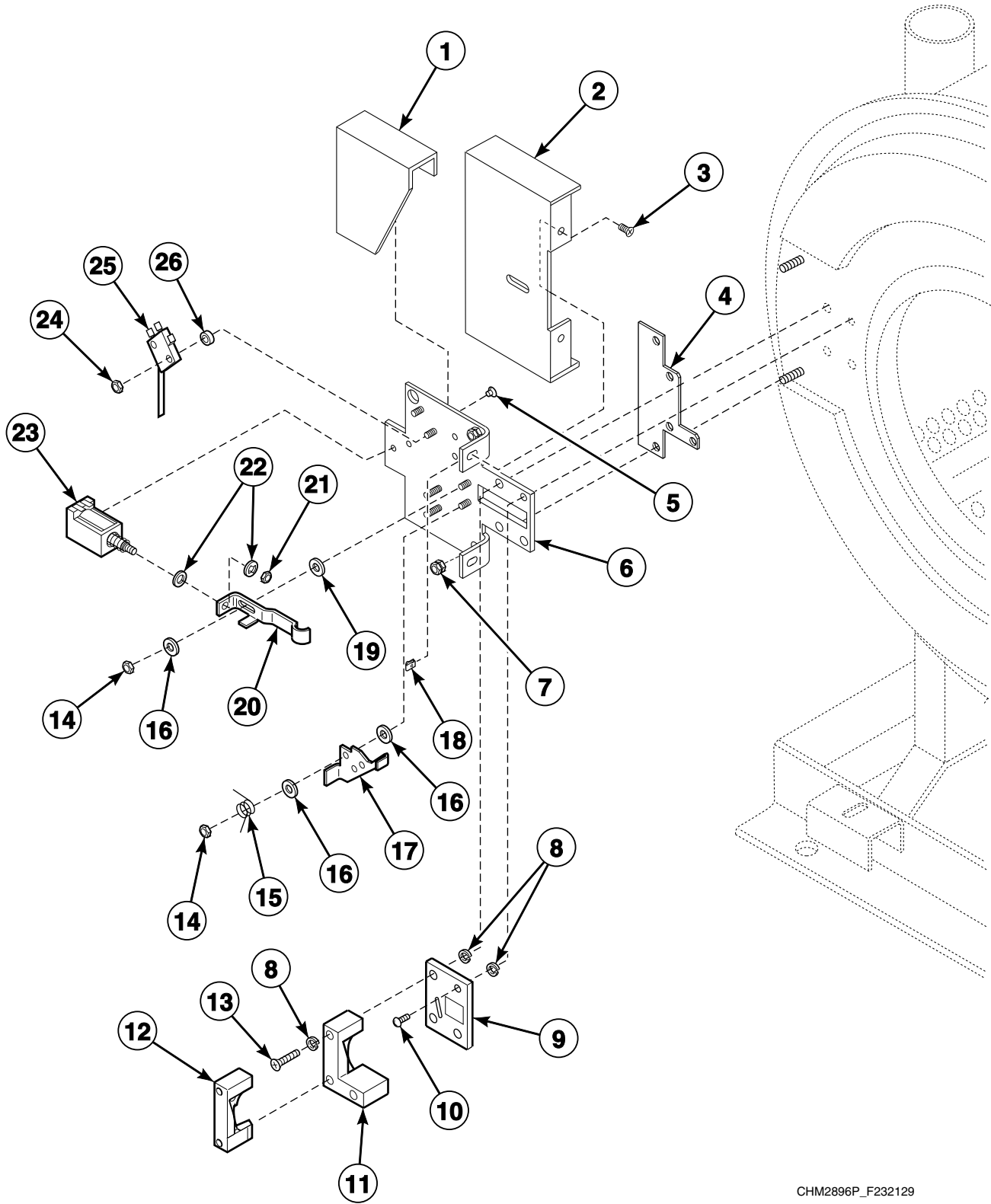
CHM2025P\_F232129



## Panels and Bezel Style Inner Front Panel (Drawing 2 of 2)

REF	PART NO.	DESCRIPTION	COMMENTS
1	F757607	Right Side Panel Kit	Models SC18VNV and UC18VNV; Includes item 2, F430338 Washer, F430925 Screw and F430103 Screw
	F630469	Side Panel	Models SC27VNV and UC27VNV; Left
	F634499-1	Left Side Panel	Models SC35VNV and UC35VNV
	F757603	Left Side Panel Kit	Models SC50VNV and UC50VNV; Includes item 2, F430338 Washer, F430925 Screw, F431215 Rivet and F602722 Bracket
2	F430218	Nut	
3	70155603	Key	RL003; Flat
	F160562	Key	GR3800; Barrel
4	F190805P	Lid Lock	RL003; Flat key
	F190802P	Lid Lock	GR3800; Barrel
5	F602753	Top Cover Latch	GR3800; Barrel
6	F633291	AC Drive Control Module Cover	
7	F634800	Cabinet Brace	Models SC18VNV and UC18VNV
	F634801	Cabinet Brace	Models SC27VNV and UC27VNV
	F634802	Cabinet Brace	Models SC35VNV and UC35VNV
	F634803P	Cabinet Brace	Models SC50VNV and UC50VNV
8	F430317	Washer	
9	F430215	Nut	
10	F170416-1	Door Bezel	Models SC18VNV and UC18VNV
	F170417-1	Door Bezel	Models SC27VNV, SC35VNV, UC27VNV and UC35VNV
	F0170426-00	Door Bezel	Models SC50VNV and UC50VNV

# Door Lock - Models Through 4/21/02

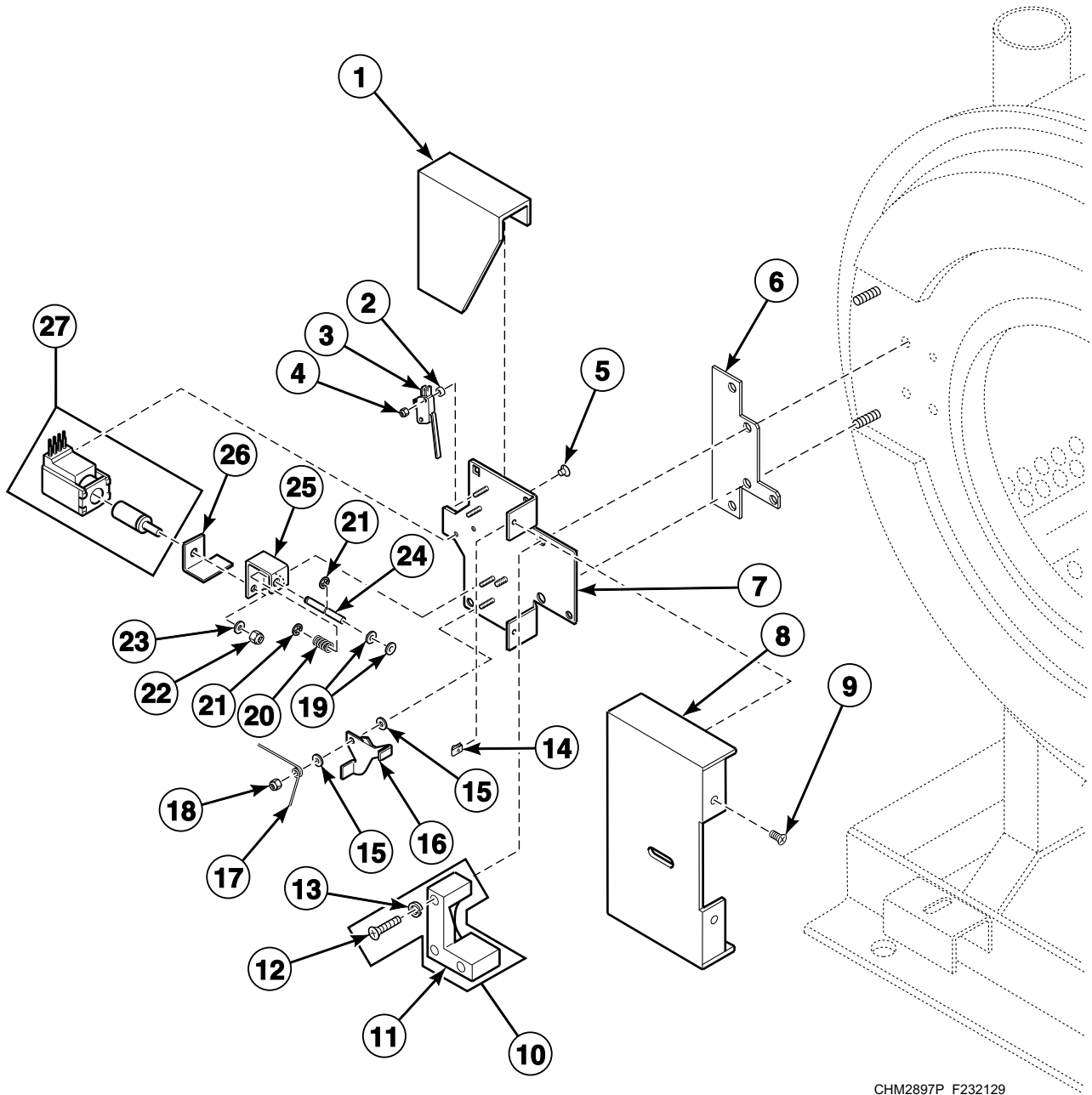


CHM2896P\_F232129

## Door Lock - Models Through 4/21/02

REF	PART NO.	DESCRIPTION	COMMENTS
	F633569	Door Lock Harness	
	F605386-7P	Door Lock Assembly	Includes items 5, 6, 13-25 and the door lock harness
1	F603003	Door Lock Assembly Cover	
2	F320200	Door Lock Splash Shield	
3	F430956	Screw	
4	F8059701	Door Lock Plate Shim	As required
5	F430977	Screw	
6	F633734	Door Lock Plate Sub-Assembly	
7	F430215	Nut	
8	F431100	Washer	
9	F602567	Door Lock Plate Cover	
10	F430925	Screw	
11	F150261	Door Lock Catch Casting	L-catch
12	F150223	Door Lock Catch	L-catch
13	F430983	Screw	Models SC18VNV, SC27VNV, UC18VNV and UC27VNV
	F430982	Screw	Models SC35VNV, SC50VNV, UC35VNV and UC50VNV
14	F430232	Nut	
15	F310110	Door Lock Torsion Spring	
16	F431902	Washer	
17	F605381	Door Lock Lever	
18	F430264	Nut	
19	F431903	Washer	
20	F605382	Pushbutton Stop	
21	F431017	Nut	
22	F431123	Washer	
23	F300128P	Door Release Solenoid	
24	F430225	Nut	
25	F340919	Door Lock Microswitch	
26	F431901	Spacer	

# Door Lock - Models Starting 4/22/02

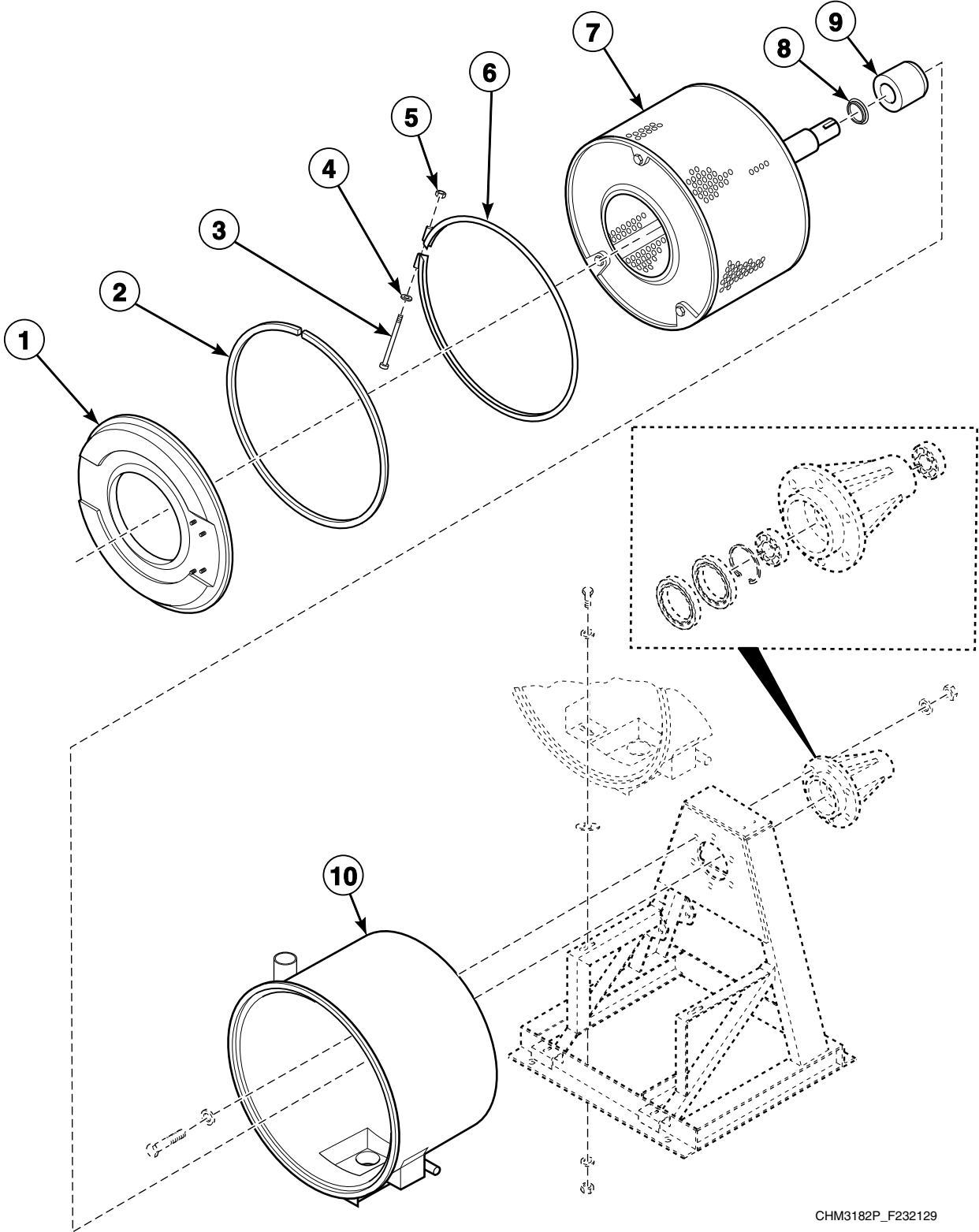


CHM2897P\_F232129

## Door Lock - Models Starting 4/22/02

REF	PART NO.	DESCRIPTION	COMMENTS
	F0798839-00	Door Lock Kit	Includes items 2-5, 7 and 13-26
1	F320200	Door Lock Splash Shield	
2	F431901	Spacer	
3	F200203200	Door Lock Microswitch	
4	F430225	Nut	
5	F430977	Screw	
6	F8059701	Door Lock Plate Shim	
7	F8066701	Door Lock Plate Assembly	
8	F603003	Door Lock Assembly Cover	
9	F430956	Screw	
10	F746808	L-Catch Kit	Includes items 11-13
11	F150261	Door Lock Catch Casting	
12	F430982	Screw	
13	F431100	Washer	
14	F430264	Nut	
15	F431902	Washer	
16	F0636636-00	Door Lock Switch Lever	
17	F310110	Door Lock Torsion Spring	
18	F430232	Nut	
19	F431147	Washer	
20	F310137	Door Lock Pin Release Spring	
21	F310205	E-Ring Retainer	
22	F431017	Nut	
23	F431123	Washer	
24	F431231	Door Locking Linkage Pin	
25	F150455	Door Lock Pin Linkage	
26	F0636103-00	Door Lock Retainer Latch	
27	F0300131-00P	Door Lock Solenoid	

# Basket and Shell

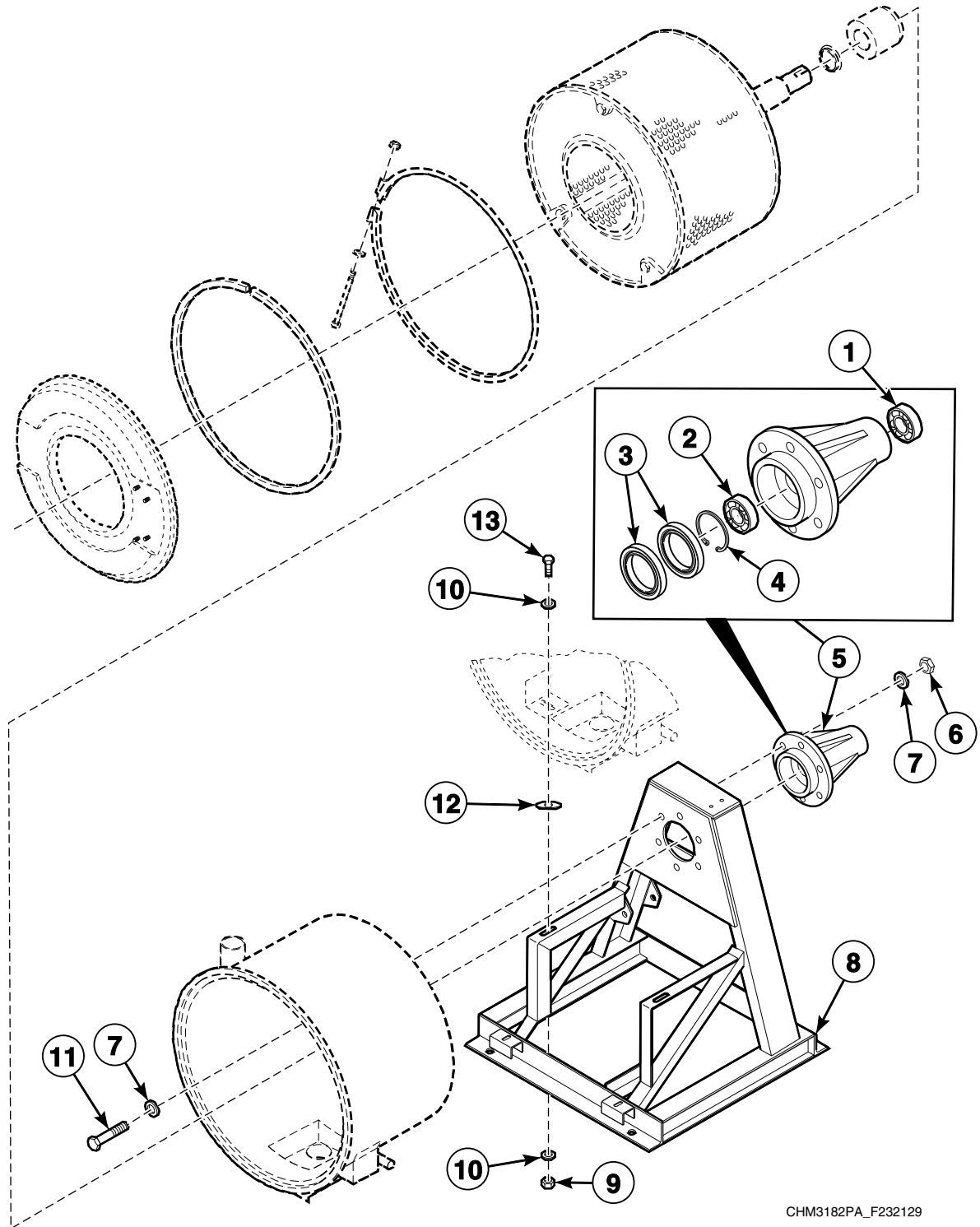


CHM3182P\_F232129

# Basket and Shell

REF	PART NO.	DESCRIPTION	COMMENTS
	389P4	Basket Tool Kit	Purchase; Use with F935P3 and F936P3 Pressfit Upgrade Kits; Requires F460129P Bearing Puller Tool
	390P4-1	Basket Rental Tool Kit	Use with F935P3 and F936P3 Pressfit Upgrade Kits; Requires F460129P Bearing Puller Tool
1	F609270-1	Shell Front Assembly	Models SC18VNV and UC18VNV
	F632006P	Shell Front Assembly	Models SC27VNV and UC27VNV
	F741301-01	Shell Front Kit	Models SC35VNV and UC35VNV; Includes item 6 and F200001600 Shell Band Gasket
	F609272-1P	Shell Front Assembly	Models SC50VNV and UC50VNV
2	F792000	Shell Front Gasket Kit	Includes items 3-5, F170125 Shell Band Seal, F200001600 Shell Band Gasket and F410102 Clear Sealant
3	F430518	Screw	
4	F430317	Washer	
5	F430215	Nut	
6	F8537801	Shell Band Kit	Models SC18VNV and UC18VNV; Includes items 4 and 5
	F8537802	Shell Band Kit	Models SC27VNV and UC27VNV
	F8537803	Shell Band Kit	Models SC35VNV and UC35VNV; Includes items 4 and 5
	F8537804	Shell Band Kit	Models SC50VNV and UC50VNV; Includes items 4 and 5
7	F935P3	Pressfit Upgrade Kit	Models SC18VNV and UC18VNV; Includes items 8 and 9
	F8391301P	Basket Assembly	Models SC18VNV and UC18VNV; Models that have been upgraded with F935P3 Pressfit Upgrade Kit; Includes item 8 and 9
	F936P3	Pressfit Upgrade Kit	Models SC27VNV and UC27VNV; Includes items 8 and 9
	F8123701	Basket Assembly	Models SC27VNV and UC27VNV; Models that have been upgraded with F936P3 Pressfit Upgrade Kit; Includes item 8 and 9
	F605726	Basket Assembly	Models SC35VNV and UC35VNV; Includes item 8
	F942P3	Pressfit Upgrade Kit	Models SC50VNV and UC50VNV; Includes item 8
8	F8336801	Excluder Seal	Models SC18VNV and UC18VNV; Models that have been upgraded with F935P3 Pressfit Upgrade Kit
	F8336901	Excluder Seal	Models SC27VNV and UC27VNV; Models that have been upgraded with F936P3 Pressfit Upgrade Kit
9	F8312001P	Shaft Seal Sleeve	Models SC18VNV and UC18VNV
	F8343901P	Shaft Seal Sleeve Kit	Models SC18VNV and UC18VNV; Models that have been upgraded with F935P3 Pressfit Upgrade Kit
	F8312005P	Shaft Seal Sleeve	Models SC27VNV, SC35VNV, UC27VNV and UC35VNV
	F8343904P	Shaft Seal Sleeve Kit	Models SC27VNV and UC27VNV; Models that have been upgraded with F936P3 Pressfit Upgrade Kit
	F8343909P	Shaft Seal Sleeve Kit	Models SC50VNV and UC50VNV
10	F634600	Shell Weldment	Models SC18VNV and UC18VNV
	F634663	Shell Weldment	Models SC27VNV and UC27VNV
	F741008	Shell Kit	Models SC35VNV and UC35VNV; Includes F200142 Air Trap Hose and F200205 Hose Clamp (No. 10)
	F741014	Shell Kit	Models SC50VNV and UC50VNV; Includes F200142 Air Trap Hose and F200205 Hose Clamp (No. 10)

# Trunnion and Bearings

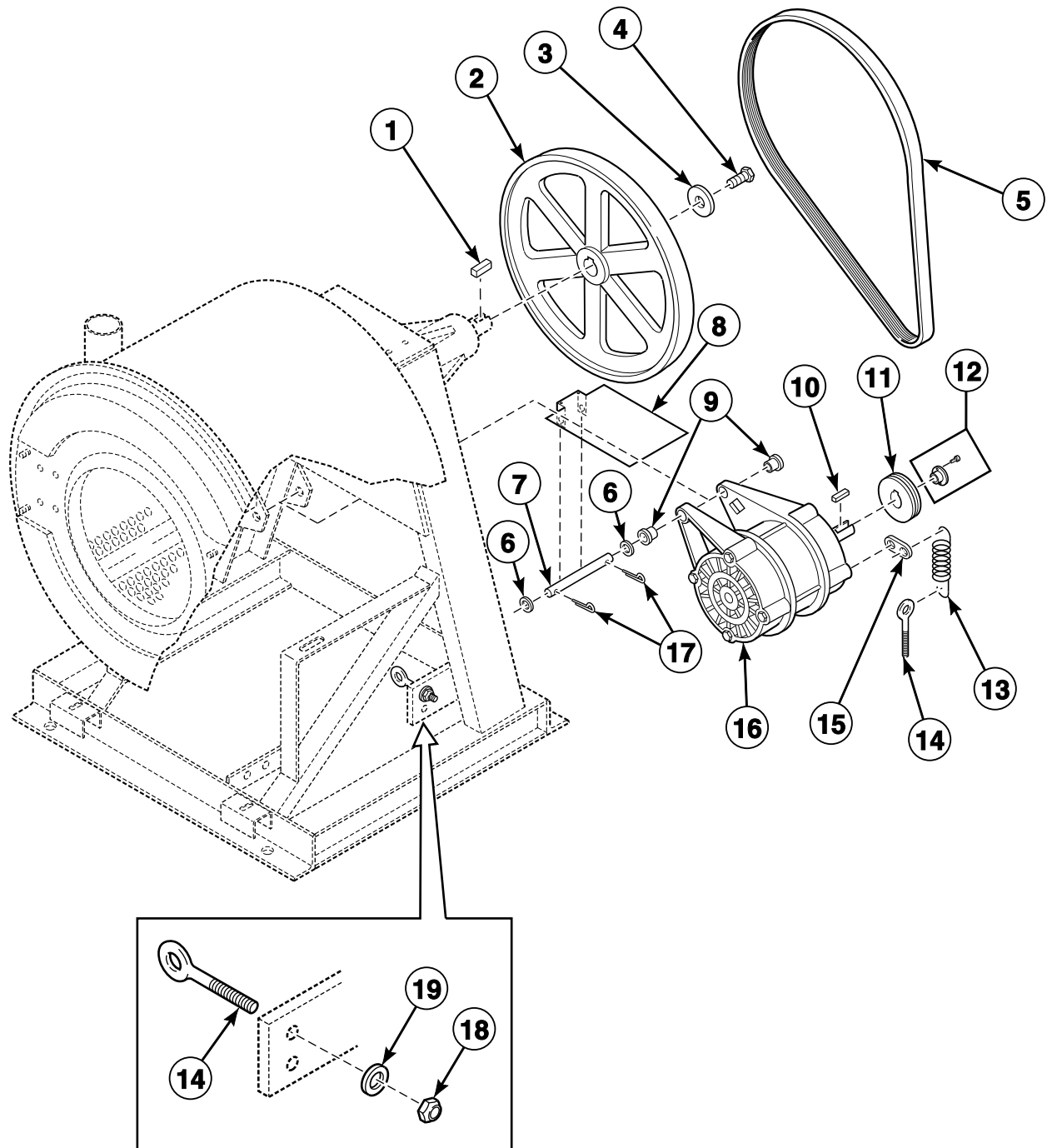




## Trunnion and Bearings

REF	PART NO.	DESCRIPTION	COMMENTS
1	F100136P	Bearing	6307 2RS C3; Models SC18VNV and UC18VNV
	F100134	Bearing	6310 2RS C3; Models SC27VNV, SC35VNV, SC50VNV, UC27VNV, UC35VNV and UC50VNV
2	F100137P	Bearing	6308 2RS C3; Models SC18VNV, SC27VNV, SC35VNV, UC18VNV, UC27VNV and UC35VNV
	F100135	Bearing	6313 2RS C3; Models SC50VNV and UC50VNV
3	F8203801	Triple Lip Seal	Models SC18VNV and UC18VNV
	F8203803	Triple Lip Seal	Models SC27VNV, SC35VNV, UC27VNV and UC35VNV
	F8203806	Triple Lip Seal	Models SC50VNV and UC50VNV
4	F8344901	Retaining Ring	Models SC18VNV and UC18VNV; Models that have been upgraded with F935P3 Pressfit Upgrade Kit
	F8345001	Retaining Ring	Models SC27VNV and UC27VNV; Models that have been upgraded with F936P3 Pressfit Upgrade Kit
5	F747001	Trunnion Kit	Models SC18VNV and UC18VNV; Includes items 1-3, 5, 6, 10 and F792000 Shell Front Gasket Kit
	F747003	Trunnion Kit	Models SC27VNV, SC35VNV, UC27VNV and UC35VNV; Includes items 1-3, 5, 6, 10 and F792000 Shell Front Gasket Kit
	F747005	Trunnion Kit	Models SC50VNV and UC50VNV; Includes items 1-3, 5, 6, 10 and F792000 Shell Front Gasket Kit
6	F430239	Nut	Models SC18VNV, SC27VNV, UC18VNV and UC27VNV
	F430240	Nut	Models SC35VNV, SC50VNV, UC35VNV and UC50VNV
7	F431128	Washer	Models SC18VNV, SC27VNV, UC18VNV and UC27VNV
	F431131	Washer	Models SC35VNV, SC50VNV, UC35VNV and UC50VNV
8	F633950	Frame Assembly	Models SC18VNV and UC18VNV
	F634291	Frame Assembly	Models SC27VNV and UC27VNV
	F633612	Frame Assembly	Models SC35VNV and UC35VNV
	F633478	Frame Assembly	Models SC50VNV and UC50VNV
9	F430218	Nut	
10	F430325	Washer	
11	F430949	Screw	Models SC18VNV, SC27VNV, UC18VNV and UC27VNV
	F430987	Screw	Models SC35VNV, SC50VNV, UC35VNV and UC50VNV
12	F430303	Washer	
13	F430942	Screw	

# Motor, Pulley and Belt



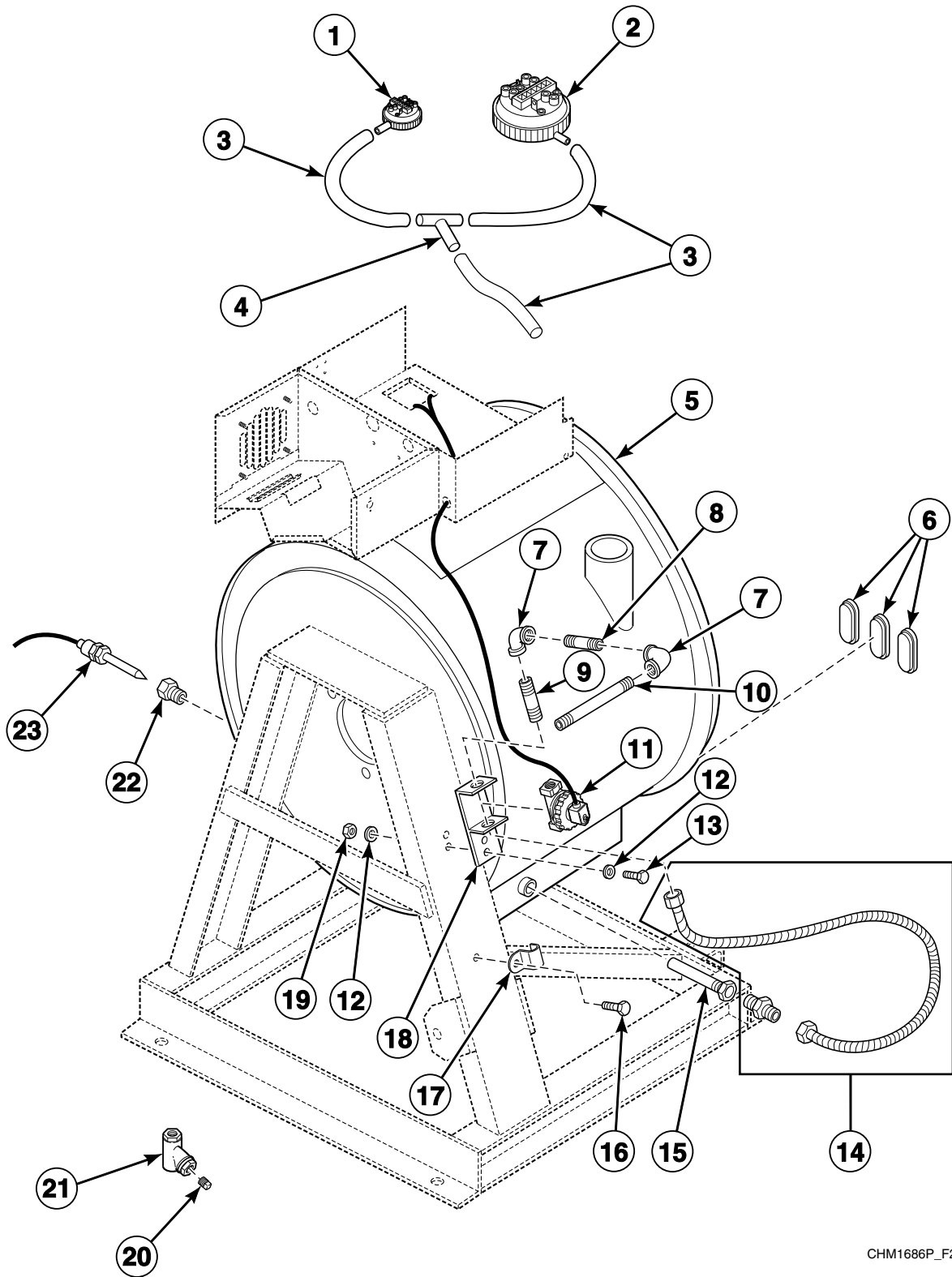
CHM2986P\_F232129

## Motor, Pulley and Belt

REF	PART NO.	DESCRIPTION	COMMENTS
1	F430801	Key	
2	F150270	Basket Pulley	Models SC18VNV and UC18VNV
	F150269	Basket Pulley	Models SC27VNV, SC35VNV, UC27VNV and UC35VNV
	F200299700	Basket Pulley	Models SC50VNV and UC50VNV
3	F0431159-00	Washer	Models SC18VNV and UC18VNV
	F431115	Washer	All other models
4	F430927	Screw	Models SC18VNV and UC18VNV
	F430100	Screw	Models SC18VNV and UC18VNV that have been upgraded with F935P3 Pressfit Upgrade Kit; All other models
5	F8382801	Belt	Models SC18VNV and UC18VNV; Poly-V
	F280368P	Belt	Models SC27VNV and UC27VNV; Poly-V
	F280369P	Belt	Models SC35VNV and UC35VNV; Poly-V
	F280366P	Belt	Models SC50VNV and UC50VNV; Poly-V
6	F430325	Washer	
7	F603059	Motor Support Rod	Models SC35VNV and UC35VNV
	F603897	Motor Support Rod	Models SC50VNV and UC50VNV
	F602844	Motor Support Rod	All other models
8	F200216900	Motor Drip Shield	Nylon
9	F200186100	Motor Support Bushing	Nylon
10	F430802	Key	
11	F280287P	Sheave Kit	6JGRV2.00; Style JA
12	F280298P	Pulley Bushing	
13	F310124	Extension Spring	
14	F430537	Screw	Models SC35VNV, SC50VNV, UC35VNV and UC50VNV
15	F633374	Spring Clip	
16	F8328901P	Motor Conversion Kit	Models SC18VNV and UC18VNV; Replaces F220393 Motor; **
	F8329001P	Motor Conversion Kit	Models SC27VNV and UC27VNV; Replaces F220395 Motor; **
	F8329101P	Motor Conversion Kit	Models SC35VNV and UC35VNV; Includes item 9; Replaces F220394 Motor; **
	F8329201P	Motor Conversion Kit	Models SC50VNV and UC50VNV; Includes item 9; Replaces F220234 Motor; **
17	F430401	Cotter Pin	
18	F430218	Nut	Models SC35VNV, SC50VNV, UC35VNV and UC50VNV
19	F430300	Washer	Models SC35VNV, SC50VNV, UC35VNV and UC50VNV

**\*\* NOTE: AC drive parameters must be compatible with the motor and motor pulley. Please request the AC drive parameter illustration for parameter verification with ordering a motor.**

# Steam Heat Assembly



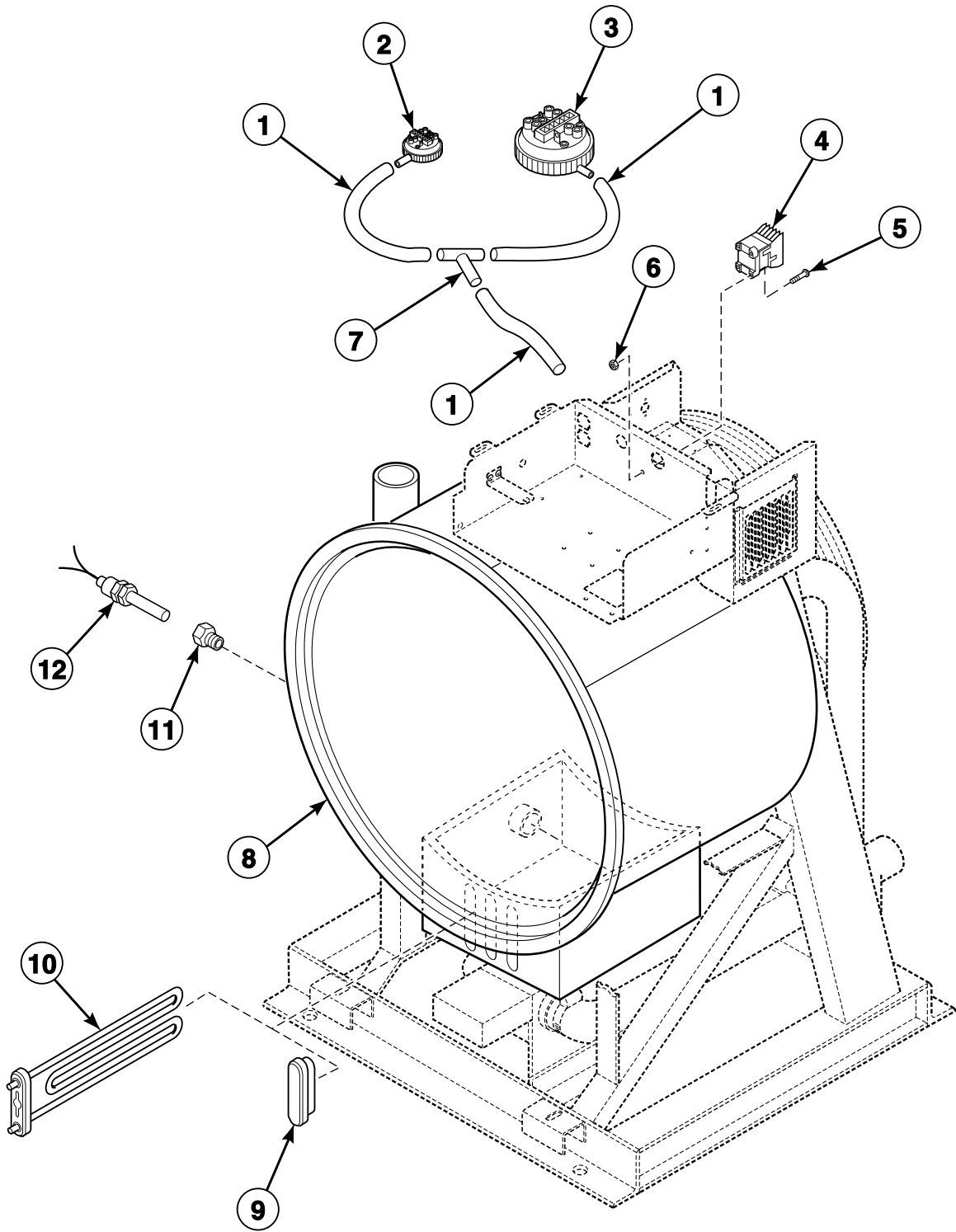
CHM1686P\_F232129

## Steam Heat Assembly

REF	PART NO.	DESCRIPTION	COMMENTS
	F8514701	Coil	Use with F8322802 Valve
	F8382301	DIN Valve Adapter Kit	Use with F8322802 Valve
	F8379501P	Valve Kit	Use with F8322802 Valve
1	F8223001P	Water Pressure Switch	Small; Heat safety
2	F0340343-10P	Water Level Switch	Models SC18VNV, SC27VNV, UC18VNV and UC27VNV
	F0340345-10P	Water Level Switch	Models SC35VNV, SC50VNV, UC35VNV and UC50VNV
3	F422404P	Tubing	
4	F422806	Tee	
5	N/A	Shell Assembly	Models SC18VNV and UC18VNV; Heat option
	F631201	Shell Assembly	Models SC27VNV and UC27VNV; Heat option
	F741012	Shell Kit	Models SC35VNV and UC35VNV; Heat option; Includes F200142 Air Trap Hose, F200205 Hose Clamp (No. 10), F200213 Hose Clamp (No. 40), F200205 Hose Clamp (No. 28), F420408 Plug, F421507 Plug, F430218 Nut, F430301 Washer, F430303 Washer and F430942 Screw
	N/A	Shell Assembly	Models SC50VNV and UC50VNV; Heat option
6	F360202	Heating Element Plug	Models SC18VNV, SC27VNV, UC18VNV and UC27VNV use 3; Models SC35VNV and UC35VNV use 6; Models SC50VNV and UC50VNV use 9
7	70079601	Elbow	
8	F420708	Nipple	
9	70435601	Pipe Nipple	
10	70214101	Pipe Nipple	
11	F8322802	Valve	Replaces F380786P Steam Valve; Includes F8514701 Coil; For models that have been upgraded with F8521601 DIN Valve Kit
	F8521601	DIN Valve Kit	Replaces F380786P Steam Valve; Includes F8322802 Valve and F8514701 Coil
12	F430317	Washer	
13	F430108	Screw	
14	F200154	Steam Hose	
	F410300	Pipe Insulation	
15	F8368201	Steam Injector Tube Assembly	
16	F0430165-00	Screw	
17	N/A	Cable Strap	
18	F601186	Steam Bracket Assembly	
19	F430215	Nut	
20	F420409	Plug	
21	F270307	Steam Filter	
22	F421936	Reducer Bushing	
23	F370606P	Temperature Probe	

**N/A = Part no longer available**

# Electric Heat Assembly



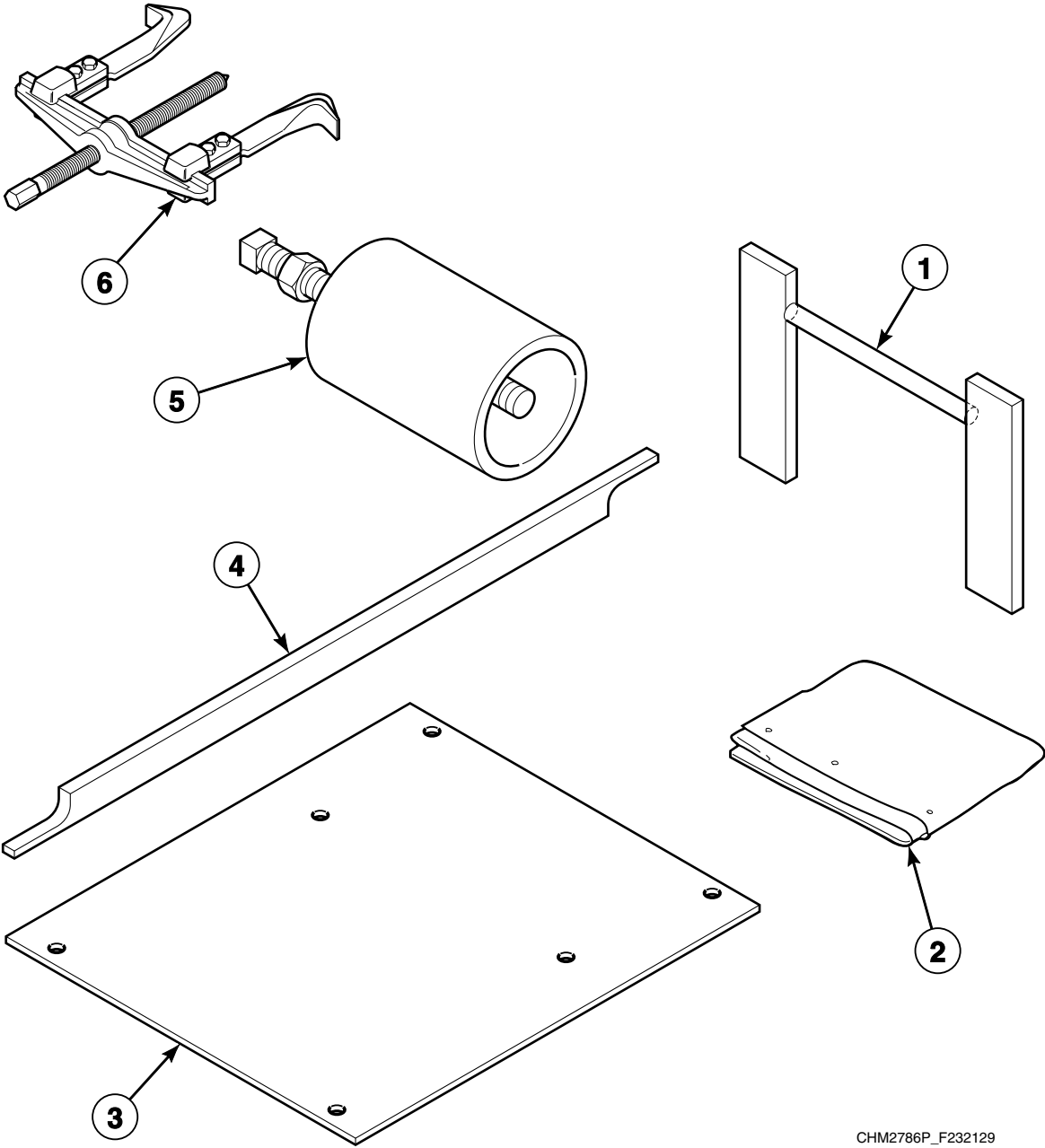
CHM1687P\_F232129

# Electric Heat Assembly

REF	PART NO.	DESCRIPTION	COMMENTS
1	F422404P	Tubing	
2	F8223001P	Water Pressure Switch	Heat safety
3	F0340343-10P	Water Level Switch	Models SC18VNV, SC27VNV, UC18VNV and UC27VNV
	F0340345-10P	Water Level Switch	Models SC35VNV, SC50VNV, UC35VNV and UC50VNV
4	F330187P	Contactactor	Models SC18VNV, SC27VNV, UC18VNV and UC27VNV; T-voltage
	F330175P	Contactactor	Models SC18VNV, SC27VNV, UC18VNV and UC27VNV; N, P and Q-voltage
	F330180P	Contactactor	Models SC35VNV and UC35VNV; Q-voltage
	F330178P	Contactactor	Models SC35VNV and UC35VNV; N and P-voltage
	F330180P	Contactactor	Models SC50VNV and UC50VNV; N-voltage
	F330187P	Contactactor	Models SC50VNV and UC50VNV; P and Q-voltage
5	F430917	Screw	
6	F430231	Nut	
7	F422806	Tee	
8	N/A	Shell Assembly	Models SC18VNV and UC18VNV; Heat option
	F631201	Shell Assembly	Models SC27VNV and UC27VNV; Heat option
	F741012	Shell Kit	Models SC35VNV and UC35VNV; Heat option; Includes F200142 Air Trap Hose, F200205 Hose Clamp (No. 10), F200213 Hose Clamp (No. 40), F200205 Hose Clamp (No. 28), F420408 Plug, F421507 Plug, F430218 Nut, F430301 Washer, F430303 Washer and F430942 Screw
	N/A	Shell Assembly	Models SC50VNV and UC50VNV; Heat option
	9	F360202	Heating Element Plug
10	F360206P	Heating Element	Models SC18VNV and UC18VNV; 3 required
	F360205P	Element	Models SC27VNV and UC27VNV use 3; Models SC35VNV and UC35VNV use 6; Models SC50VNV and UC50VNV use 9
11	F421936	Reducer Bushing	
12	F370606P	Temperature Probe	

**N/A = Part no longer available**

# Special Tools



CHM2786P\_F232129



## Special Tools

REF	PART NO.	DESCRIPTION	COMMENTS
1	F460131P	Basket Pulley Puller Tool	
2	F450127	Template	Models SC18VNV, SC35VNV, SC50VNV, UC18VNV, UC35VNV and UC50VNV
3	F608707	Bolt Layout Mounting Template	Models SC18VNV and UC18VNV
	F631796	Bolt Layout Mounting Template	Models SC27VNV and UC27VNV
	F608709	Bolt Layout Mounting Template	Models SC35VNV and UC35VNV
	F608710	Bolt Layout Mounting Template	Models SC50VNV and UC50VNV
4	N/A	Basket Pulley Alignment Bar	Models SC50VNV and UC50VNV
5	F798001	Basket Pulley Kit	Models SC18VNV and UC18VNV
	F798002	Basket Puller Kit	Models SC27VNV, SC35VNV, UC27VNV and UC35VNV
	F798003	Basket Puller Kit	Models SC50VNV and UC50VNV
6	F460129P	Basket Puller Tool	

**N/A = Part no longer available**



# Parts Index

## A

AC Drive Control Module Cover F633291 .....	39
AC Drive Kit	
F798718 .....	13
F798719 .....	13
AC Drive Radio Filter Assembly F200320900 .....	13
Air Trap Hose	
F020014200 .....	27, 29

## B

Basket Assembly	
F605726 .....	45
F8123701 .....	45
F8391301P .....	45
Basket Puller Kit	
F798002 .....	55
F798003 .....	55
Basket Puller Tool F460129P .....	55
Basket Pulley	
F150269 .....	49
F150270 .....	49
F200299700 .....	49
Basket Pulley Kit F798001 .....	55
Basket Pulley Puller Tool F460131P .....	55
Basket Rental Tool Kit 390P4-1 .....	45
Basket Tool Kit 389P4 .....	45
Battery F191101 .....	11
Battery Adapter Board F370529P .....	11
Battery Backup Wire Harness F140249 .....	11
Bearing	
F100134 .....	47
F100135 .....	47
F100136P .....	47
F100137P .....	47
Belt	
F280366P .....	49
F280368P .....	49
F280369P .....	49
F8382801 .....	49
Blind Rivet J1111905 .....	31
Bolt F430974 .....	31
Bolt Layout Mounting Template	
F608707 .....	55
F608709 .....	55
F608710 .....	55

F631796 .....	55
Bottom Fill Hose F150414 .....	29
Bridge Rectifier F370310 .....	11

## C

Cabinet Brace	
F634800 .....	39
F634801 .....	39
F634802 .....	39
F634803P .....	39
Cap Plug F190301 .....	15
Clip F601515 .....	33
Coil	
F380900 .....	15, 17
F8514701 .....	51
Coin Meter Mounting Shim F0634819-00 .....	33
Conductor Decal F231146 .....	9
Contactors	
F330175P .....	53
F330178P .....	53
F330180P .....	53
F330187P .....	53
Control Box Assembly	
F0635628-03 .....	11
F0635628-04 .....	11
F633380-3 .....	11
F633380-4 .....	11
Control Panel Assembly	
F634808-2 .....	33
F634824-2 .....	33
F634827-2 .....	33
F634830-2 .....	33
Control Panel Decal	
F230787 .....	35
F230790 .....	35
F231467 .....	33, 35
F231468 .....	33
F231469 .....	33, 35
F231470 .....	33, 35
F231496 .....	33, 35
F231498 .....	33
Cooling Fan Filter Slide F633321 .....	13
Cotter Pin F430401 .....	49
Counterclockwise Spin Rotation Decal F230693 .....	9, 31

## D

Diaphragm and Guide Kit G582P3 .....	21
---	----

N/A items do not appear in index.



Filter Handle Decal F231377 .....	13
Filter Housing Cap Gasket F270407 .....	25
Flange Relay F330227 .....	11, 33
Flow Restrictor F380119 .....	21
F380957 .....	17
F380958 .....	17
Frame Assembly F633478 .....	47
F633612 .....	47
F633950 .....	47
F634291 .....	47
Front Drain Hose F150312 .....	27, 29
F8035801 .....	27
Front Panel F8200302P .....	35
F8200402P .....	35
F8200602P .....	35
F8292502 .....	35
Fuse F350108 .....	11
F350109 .....	11
F350110 .....	11, 13
F350115 .....	23
F350117 .....	13
Fuse Decal F231393 .....	13
F231394 .....	13
Fuse Holder F0350312-10 .....	13, 23
Fuse Terminal Mounting Bracket F633322 .....	13

## G

Gasket F170402P .....	37
Ground Decal F230630 .....	9
F230739 .....	9
Ground Terminal Lug F140734 .....	19, 23

## H

Heating Element F360206P .....	53
Heating Element Plug F360202 .....	51, 53
Hose Clamp F200204 .....	29
F200205 .....	15, 27, 29
F200213 .....	15, 19, 27, 29
F200215 .....	27, 29
36801 .....	15, 19

## I

Injection Nozzle F8322001 .....	23
Injection Nozzle Kit F730168 .....	23
Input Power Block F140747 .....	19, 23
F140748 .....	19, 23
Input Power Connection Box Cover F602533 .....	19
Insulator Bushing F140909 .....	19
Inverter Drive F370856 .....	13
F370857 .....	13
F370858 .....	13

## K

Key F160562 .....	39
F430801 .....	49
F430802 .....	49
70155603 .....	39
Keypad F370576P .....	33

## L

L-Catch Kit F746808 .....	43
Left Side Panel F634499-1 .....	39
Left Side Panel Kit F757603 .....	39
Lid Clamp Assembly F630430 .....	37
Lid Lock F190802P .....	39
F190805P .....	39
Light F350411 .....	33
Line Reactor Kit F0360159-00A .....	13
F0360165-00P .....	13
Liquid Supply Decal F230877 .....	9

## M

Magnet F8390801 .....	31
Magnetic Switch F0340723-00 .....	31
Magnetic Switch Assembly F200321200 .....	31
Manifold F8333201 .....	15

N/A items do not appear in index.

Membrane Switch F340608P .....	33
Microcomputer F370313-13P .....	33
F370313-60P .....	33
Mixing Valve Kit, 3-Way F798710 .....	15, 17
Momentary Switch F340412 .....	33
Motor Conversion Kit F8328901P .....	49
F8329001P .....	49
F8329101P .....	49
F8329201P .....	49
Motor Drip Shield F200216900 .....	49
Motor Support Bushing F200186100 .....	49
Motor Support Rod F602844 .....	49
F603059 .....	49
F603897 .....	49
Mounting Bracket F602722 .....	37
Muffin Fan F110106 .....	13

## N

Nipple F420708 .....	51
Nut F430215 .....	27, 29, 31, 39, 41, 45, 51
F430218 .....	39, 47, 49
F430225 .....	41, 43
F430231 .....	15, 19, 33, 37, 53
F430232 .....	11, 19, 31, 33, 41, 43
F430239 .....	47
F430240 .....	47
F430264 .....	35, 41, 43
F431016 .....	13
F431017 .....	41, 43
F431022 .....	13, 23, 31
F431024 .....	37
F431041 .....	31
802292 .....	23

## O

O-Ring F170209 .....	31
801632 .....	23
Output Board VCOMP Assembly F8206501P .....	11
Overflow Hose F150308 .....	29
F150332 .....	27, 29
F150417 .....	27
F200125800 .....	27
Overflow Plug F150352 .....	27
Overlay F231402 .....	33

F231404 .....	33
---------------	----

## P

Personal Injury Warning Decal F231065 .....	9
Pipe F608237 .....	29
Pipe Insulation F410300 .....	51
Pipe Nipple 70214101 .....	51
70435601 .....	51
Plug F420409 .....	51
Pop Rivet F431210 .....	35
F431215 .....	37
Power Distribution Block M413865 .....	19, 23
Power Supply Cover F633260 .....	23
Pressfit Upgrade Kit F935P3 .....	45
F936P3 .....	45
F942P3 .....	45
Pulley Bushing F280298P .....	49
Push Red Button Decal F230661 .....	31
Pushbutton Rod F320300 .....	31
Pushbutton Stop F605382 .....	41

## R

Rear Drain Hose F150311 .....	27
Rear Panel F0636321-00P .....	37
F200022800P .....	37
Rear Panel Kit F757000 .....	37
F757003 .....	37
Red Dot Decal F230662 .....	31
Reducer Bushing F421936 .....	51, 53
Remove Door Lock Tag F230528 .....	9
Replacement Filter F270405 .....	25
F270406 .....	25
Retaining Ring F8344901 .....	47
F8345001 .....	47
Ribbon Cable F140247 .....	11
Right Side Panel F633323 .....	37
F633545 .....	37

N/A items do not appear in index.

Right Side Panel Kit	
F757607 .....	39
Rocker Switch	
F340411 .....	33
Rod	
F602813-2 .....	31
F602813-3 .....	31

## S

Screw	
F0430165-00 .....	51
F430100 .....	49
F430103 .....	27, 29
F430108 .....	51
F430174 .....	19, 23, 37
F430177 .....	15, 19
F430482 .....	11
F430518 .....	45
F430532 .....	31
F430533 .....	31
F430536 .....	31
F430537 .....	49
F430903 .....	19, 23
F430916 .....	11, 31
F430917 .....	15, 53
F430925 .....	37, 41
F430927 .....	27, 49
F430928 .....	13
F430938 .....	19, 23
F430942 .....	47
F430948 .....	15, 19
F430949 .....	47
F430956 .....	35, 41, 43
F430977 .....	41, 43
F430982 .....	41, 43
F430983 .....	41
F430987 .....	47
F8535601 .....	31
Shaft Seal Sleeve	
F8312001P .....	45
F8312005P .....	45
Shaft Seal Sleeve Kit	
F8343901P .....	45
F8343904P .....	45
F8343909P .....	45
Sheave Kit	
F280287P .....	49
Shell Assembly	
F631201 .....	51, 53
Shell Band Kit	
F8537801 .....	45
F8537802 .....	45
F8537803 .....	45
F8537804 .....	45
Shell Front Assembly	
F609270-1 .....	45
F609272-1P .....	45
F632006P .....	45
Shell Front Gasket Kit	
F792000 .....	45
Shell Front Kit	
F741301-01 .....	45
Shell Kit	
F741008 .....	45

F741012 .....	51, 53
F741014 .....	45
Shell Weldment	
F634600 .....	45
F634663 .....	45
Side Panel	
F630469 .....	39
Siphon Tube	
F150390 .....	15, 19
Soap Dispenser Hose	
F150309 .....	27
Spacer	
F401206 .....	33
F431901 .....	41, 43
Sponge Rubber	
F170128 .....	11
Spring	
F8504601 .....	27, 29
F8504701 .....	27
Spring Clip	
F633374 .....	49
Spring Pin	
F431222 .....	31
Standoff	
F180501 .....	11, 13
F180506 .....	23
Steam Bracket Assembly	
F601186 .....	51
Steam Filter	
F270307 .....	51
Steam Hose	
F200154 .....	51
Steam Injector Tube Assembly	
F8368201 .....	51
Strainer	
F270200 .....	17
Stud	
F390300 .....	37
Supply Dispenser Baffle	
F150419 .....	27
Supply Dispenser Gasket	
F170170 .....	37
Supply Dispenser Lid	
F200270500 .....	37
Supply Dispenser Sub-Assembly	
F602374 .....	15, 19, 23
Switch	
F340901 .....	27
Switch Extension	
F340913 .....	27
Switch Mounting Panel Assembly	
F633510 .....	33
Switch Mounting Plate Sub-Assembly	
F633540 .....	33
Switch Panel Decal	
F231381 .....	33

## T

Take-Apart Hinge	
F190203P .....	37

N/A items do not appear in index.

Tee	
F422806	51, 53
F422817	29
Temperature Probe	
F370606P	51, 53
Template	
F450127	55
Terminal	
F140768	13, 23
Thermostat	
F290115	13
Top Brace	
F0603014-00	37
F602620	37
F603227	37
F631247	37
Top Cover Kit	
F0798926-00	37
F758000-01P	37
F758001-01P	37
F758003P	37
Top Cover Latch	
F602753	39
Transformer	
C000203	27
Trim	
F8679201P	35
Triple Lip Seal	
F8203801	47
F8203803	47
F8203806	47
Trunnion Kit	
F747001	47
F747003	47
F747005	47
Tubing	
F422404P	51, 53

## V

Vacuum Breaker Bottom	
F015033000	15, 19
Vacuum Breaker Hose	
F150321	15, 19, 27, 29
F150340	15, 19, 27
Vacuum Breaker Top	
F0150329-00	15, 19
Valve	
F8322802	51
Valve Kit	
F8379501P	51
Valve Panel Sub-Assembly	
F633494-1	37
F633494-2	37
F633494-3	37
F633494-4	37
Valve Repair Kit	
F380939	17
F380954	17
Valve, 3-Way	
F381720P	19, 21
F381725P	19, 21
F381728P	19, 21

N/A items do not appear in index.

Velcro	
F140639	13
Vent Hose	
F200170	29
Vent Nipple	
F422517	29

## W

Washer	
F0431159-00	49
F430300	49
F430303	47
F430317	27, 29, 39, 45, 51
F430325	11, 33, 47, 49
F431100	41, 43
F431113	13, 23, 31
F431115	49
F431123	41, 43
F431128	47
F431131	47
F431147	37, 43
F431902	41, 43
F431903	41
F431907	31
20290	25
803615	25
Water Hose	
F200108P	15, 19
F200116	25
F200164	25
F200165	25
F200166	25
Water Level Switch	
F0340343-10P	11, 51, 53
F0340345-10P	11, 51, 53
Water Level Switch Bracket	
F631920	11
Water Pressure Switch	
F8223001P	51, 53

## Y

Y Connector	
F422808	19