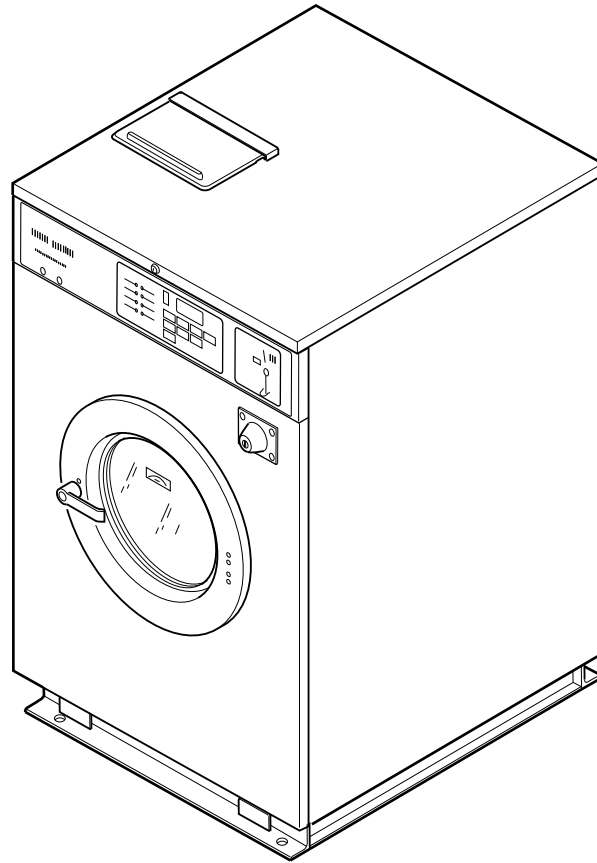


Washer-Extractor

Cabinet Hardmount
NetMaster

Refer to Page 3 for Model Numbers



CHM1171C_F232191

Table of Contents

Title	Page
Parts Ordering Information.....	2
Serial Plate Location	2
Model Identification	3
Product Overview for A and B-Control.....	4
Product Overview for NetMaster, Mechanical Timer and P, S and V-Computer	6
Decals	8
Control Module - 2 Speed Models (Drawing 1 of 2).....	10
Control Module - 2 Speed Models (Drawing 2 of 2).....	12
Control Module - F Speed Models	14
Network Controls	16
Flush Mount Coin Meter Assembly - Single Drop NC and NX Models	18
Flush Mount Coin Meter Assembly - Dual Drop NC and NX Models	20
Electronic Coin Meter Assembly - NC and NX Models	22
Card Reader - NR and NY Models	24
Front Panels and Control Panel.....	26
Control Panel Decals	28
Panels (Drawing 1 of 2)	30
Panels (Drawing 2 of 2)	32
Door (Drawing 1 of 2).....	34
Door (Drawing 2 of 2).....	36
Door Lock.....	38
Basket, Shell and Frame (Drawing 1 of 2).....	40
Basket, Shell and Frame (Drawing 2 of 2).....	42
Trunnion - 20, 25 and 30 Pound Models.....	44
Trunnion - 40, 50 and 60 Pound Models.....	46
Drain Plumbing	48
Drain Valve Assembly - DC20, DC25, DC30, HC20, HC25, HC30, SC20, SC25 and SC30 Models.....	50
Drain Valve Assembly - DC40, DC60, HC40, HC50, HC60, SC40, SC50 and SC60 Models	52
Pump Drain Option - HC30 and SC30 E-Voltage Models.....	54
Pump Drain Option - All Models Except DC30, HC30 and SC30 E-Voltage Models	56
Filter (Optional) and Supply Hose.....	58
Fill Plumbing Assembly (Drawing 1 of 2)	60
Fill Plumbing Assembly (Drawing 2 of 2)	62
Pulley and Belt (Drawing 1 of 3)	64
Pulley and Belt (Drawing 2 of 3)	66
Pulley and Belt (Drawing 3 of 3)	68
Motor and Capacitors.....	70
Special Tools	72
Parts Index.....	75

© Copyright 2014, Alliance Laundry Systems LLC

All rights reserved. No part of the contents of this book may be reproduced or transmitted in any form or by any means without the expressed written consent of the publisher.

Parts Ordering Information

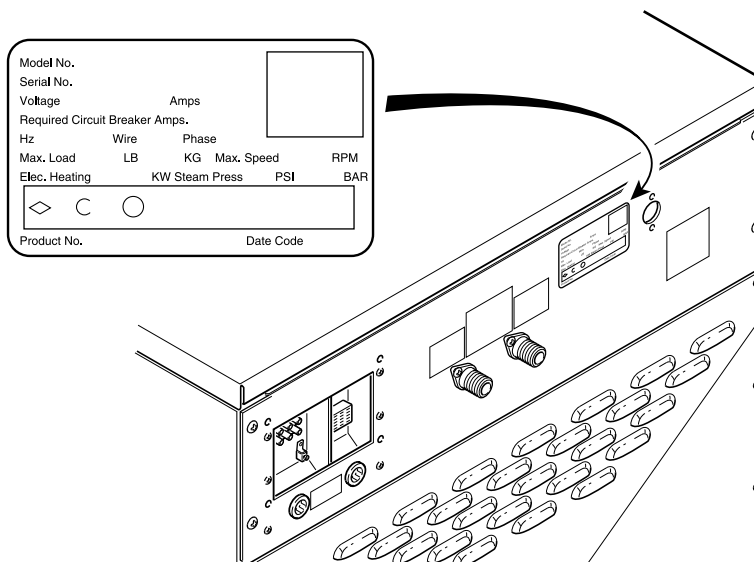
If literature or replacement parts are required, contact the source from whom the machine was purchased or contact Alliance Laundry Systems at (920) 748-3950 for the name and address of the nearest authorized parts distributor.

For technical assistance, call either of the numbers listed below:

(920) 748-3121 Ripon, Wisconsin
+32 56 41 20 54 Wevelgem, Belgium

Serial Plate Location

When calling or writing about your product, be sure to mention model and serial numbers. Model and serial numbers are located on serial plate(s) as shown.



CHM2454P_F232191

Model Identification

Information in this manual is applicable to these washer-extractor models:

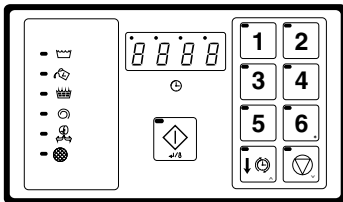
DC20NC2	HC30NC2	SC20NX2	SC30NY2	SC60NC2
DC25NC2	HC40NC2	SC25NC2	SC40NC2	SC60NCF
DC30NC2	HC50NC2	SC25NR2	SC40NR2	SC60NR2
DC40NC2	HC60NC2	SC25NX2	SC40NX2	SC60NRF
DC60NC2	HC60NCF	SC30NC2	SC50NC2	SC60NX2
HC20NC2	SC20NC2	SC30NR2	SC50NR2	SC60NXF
HC25NC2	SC20NR2	SC30NX2	SC50NX2	SC60NYF

NOTE: This manual applies to all 40-pound capacity models and to Design 6 models only of every other capacity.

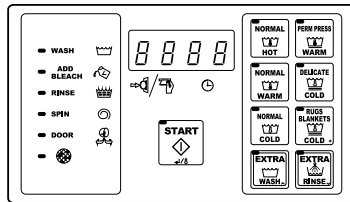
Product Overview for A and B-Control

Model No. *C40AC20U60001
 Serial No. 00000000000
 Voltage 208 – 240 Amps 7
 Required Circuit Breaker Amps 15
 Hz 60 Wire 3 Phase 3
 Max. Load 40 LB 18.2 KG Max. Speed 470 RPM
 Elec. Heating N/A KW Steam Press. N/A PSI 0 BAR
 Drawing:

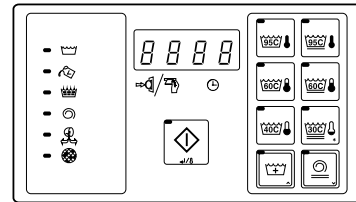
ETL LISTED
 CONFORMS TO
 ANSUL STD. 1555
 ANSUL STD. 1206
 ETL TESTING LABORATORIES, INC.
 CORTLAND, NEW YORK 13045



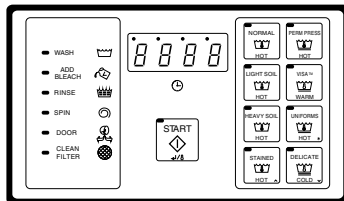
A-Control OPL



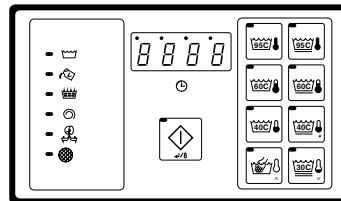
A-Control Coin (Domestic)



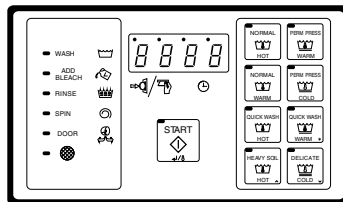
A-Control Coin (International)



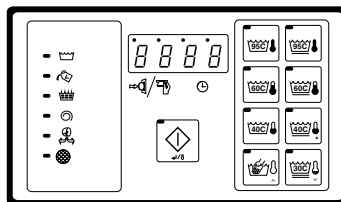
B-Control OPL (Domestic)



B-Control OPL (International)



B-Control Coin (Domestic)



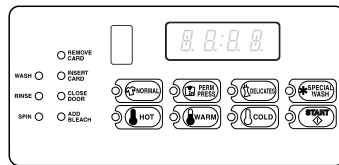
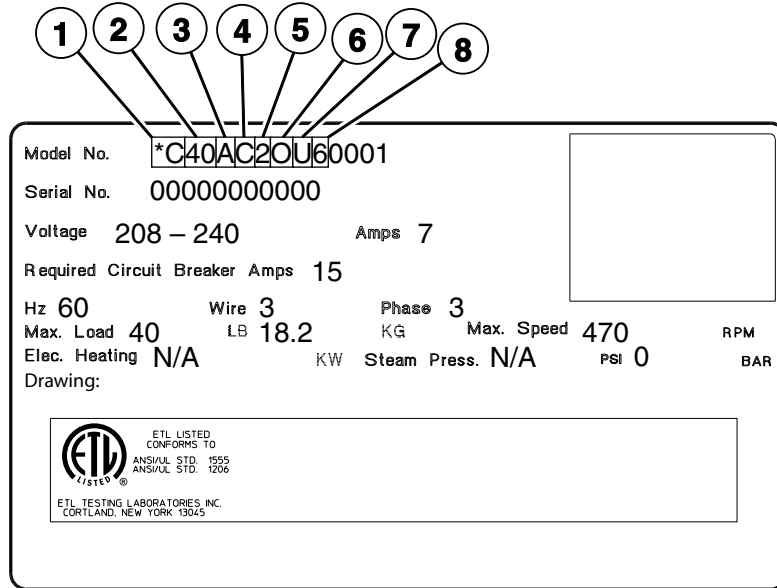
B-Control Coin (International)

CHM2976P_F232191

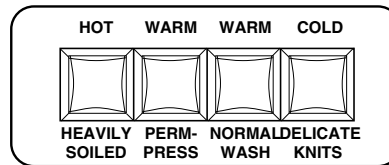
Product Overview for A and B-Control

REF	PART NO.	DESCRIPTION	COMMENTS
1	-	Product Family	DC HC NC SC UC
2	-	Capacity (Pounds)	18 20 25 27 30 35 40 50 60 80 100 125
3	-	Control	A (A-Control) B (B-Control)
4	-	Actuation	C (Drop Coin Meter) D (Digital Coin Meter) L (Prep for Remote/Central Pay) N (Non-Coin - OPL) R (Cardmate Plus II) X (Prep for Coin Meter) Y (Prep for Card Reader)
5	-	Speed	2 (2-Speed) 3 (3-Speed) F (F-Speed) V (Variable Speed)
6	-	Voltage	B (120/60/1/2) C (380-415/50/3/3) D (220-240/50/3/3) E (220-240/50/1/2) F (440-480/60/3/3) J (220/50/3/3) N (440-480/50-60/3/3) O (200-240/60/3/3) P (380-415/50-60/3/3) Q (200-240/50-60/3/3) X (200-240/50-60/1/3) Y (208-240/60/1/2)
7	-	Side Panel	N (Network Board Installed) P (Network Adaptable) U (Standard Specs) 1 (Stainless Steel) 2 (Network Board Installed with Stainless Sides) 3 (Network Adaptable with Stainless Sides)
8	-	Design	1-4 and 6

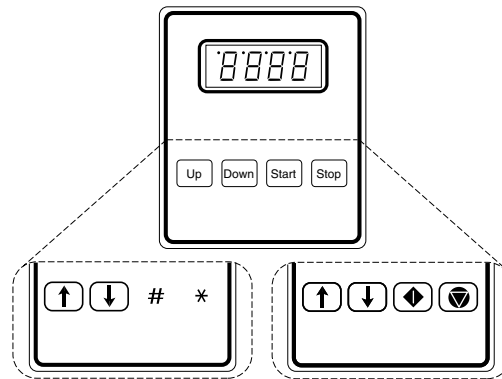
Product Overview for NetMaster, Mechanical Timer and P, S and V-Computer



NetMaster



Mechanical Timer



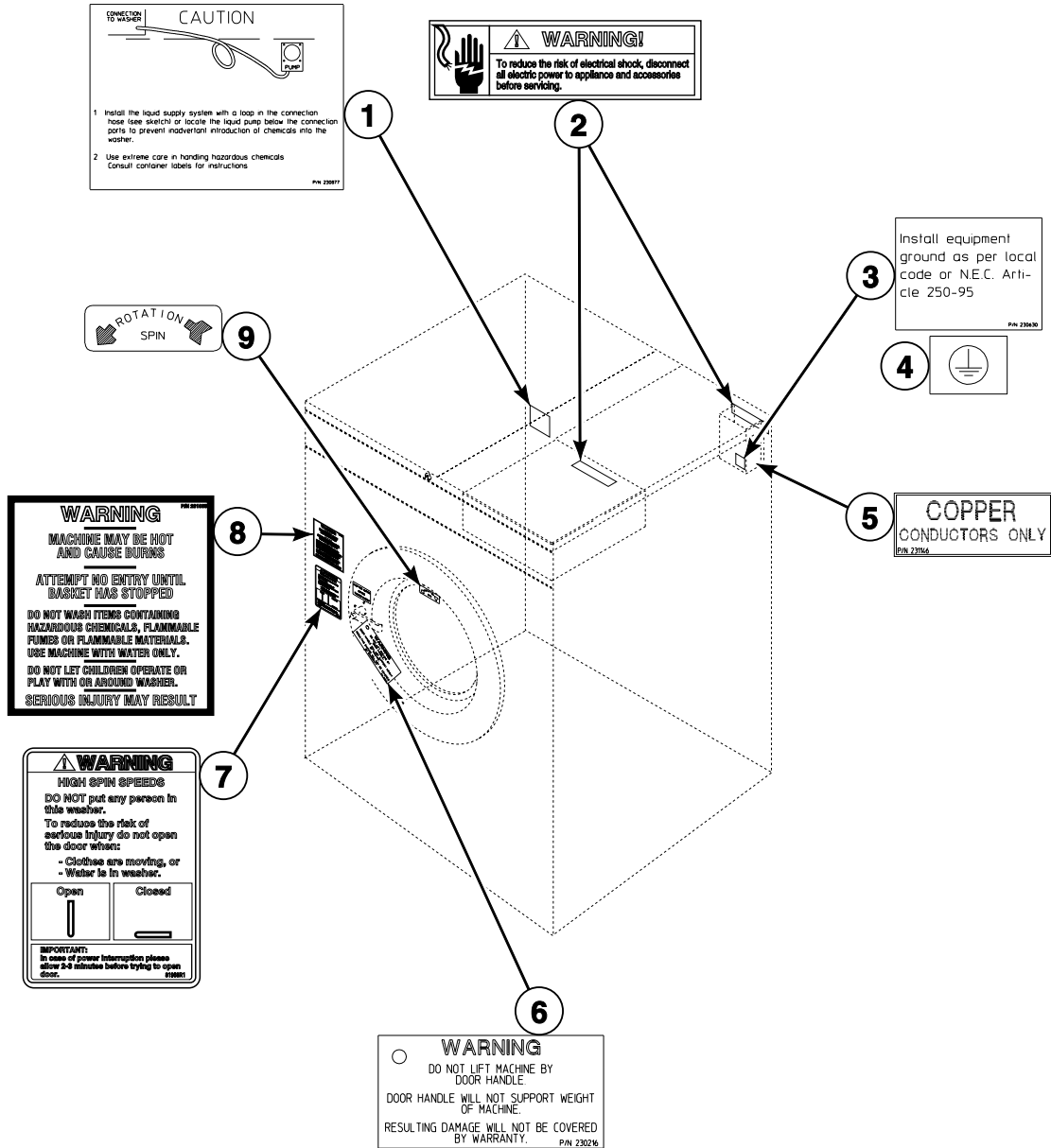
P, S and V-Computer

CHM2977P_F232191

Product Overview for NetMaster, Mechanical Timer and P, S and V-Computer

REF	PART NO.	DESCRIPTION	COMMENTS
1	-	Product Family	DC HC NC SC UC
2	-	Capacity (Pounds)	18 20 25 27 30 35 40 50 60 80 100 125
3	-	Control	M (Mechanical Timer) N (NetMaster) P (P-Computer) S (S-Computer) V (V-Computer)
4	-	Actuation	C (Drop Coin Meter) D (Digital Coin Meter) L (Prep for Remote/Central Pay) N (Non-Coin - OPL) R (Cardmate Plus II) X (Prep for Coin Meter) Y (Prep for Card Reader)
5	-	Speed	2 (2-Speed) 3 (3-Speed) F (F-Speed) V (Variable Speed)
6	-	Voltage	B (120/60/1/2) C (380-415/50/3/4) D (220-240/50/3/3) E (220-240/50/1/2) F (440-480/60/3/3) J (220/50/3/3) N (440-480/50-60/3/3) O (200-240/60/3/3) P (380-415/50-60/3/3) Q (200-240/50-60/3/3) X (200-240/50-60/1/3) Y (208-240/60/1/2)
7	-	Side Panel	N (Network Board Installed) P (Network Adaptable) U (Standard Specs) 1 (Stainless Steel) 2 (Network Board Installed with Stainless Sides) 3 (Network Adaptable with Stainless Sides)
8	-	Design	1-4 and 6

Decals

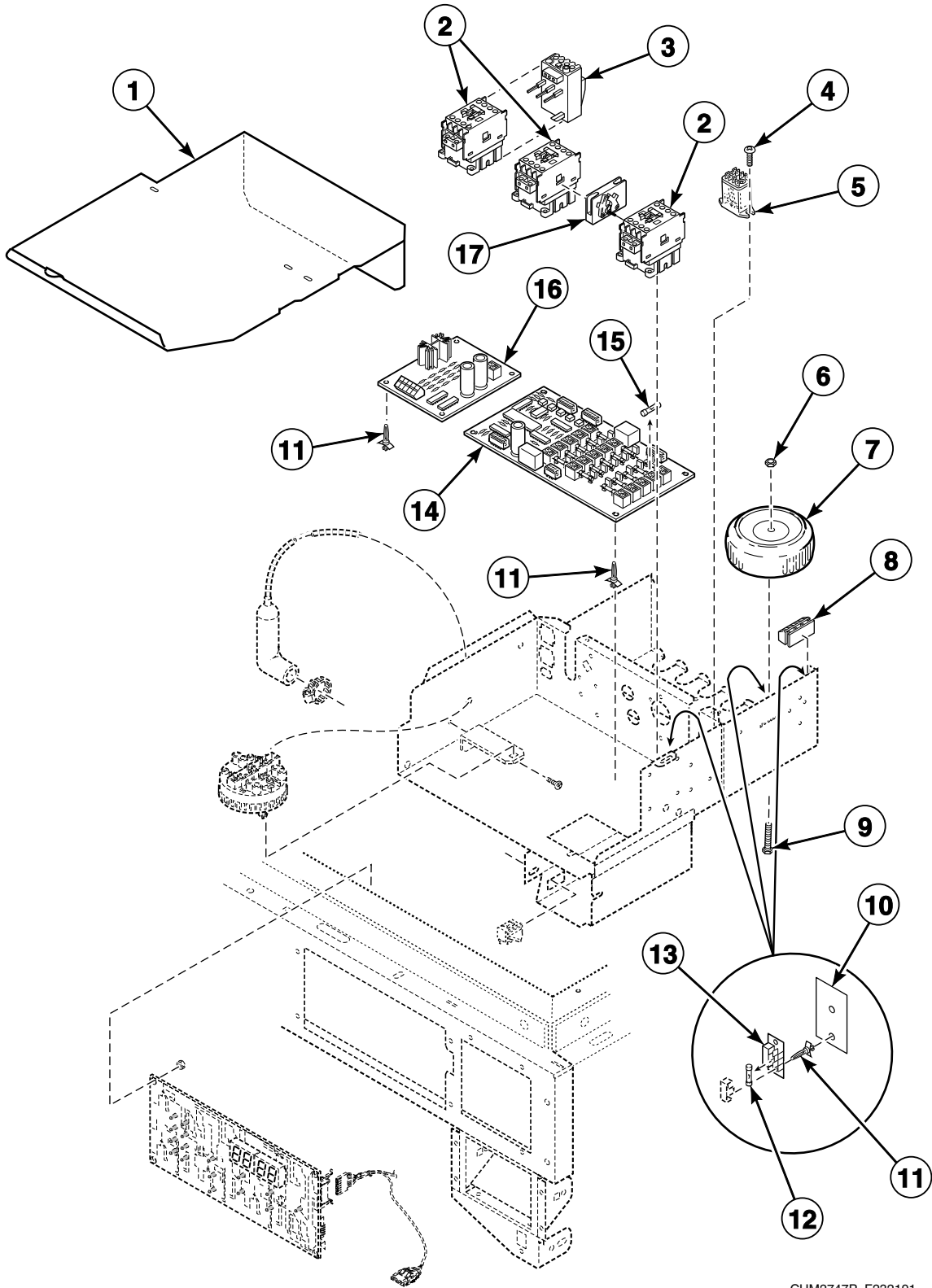


CHM2542P_F232191

Decals

REF	PART NO.	DESCRIPTION	COMMENTS
1	F230877	Liquid Supply Decal	
2	505281	Disconnect Power Warning Label	
3	F230630	Ground Decal	
4	F230739	Ground Decal	
5	F231146	Conductor Decal	
6	F230216	Do Not Lift Decal	
7	81968	Door Warning Label	
8	F231065	Personal Injury Warning Decal	
9	F230693	Counterclockwise Spin Rotation Decal	English
	F230914	Spin Rotation Decal	Universal

Control Module - 2 Speed Models (Drawing 1 of 2)

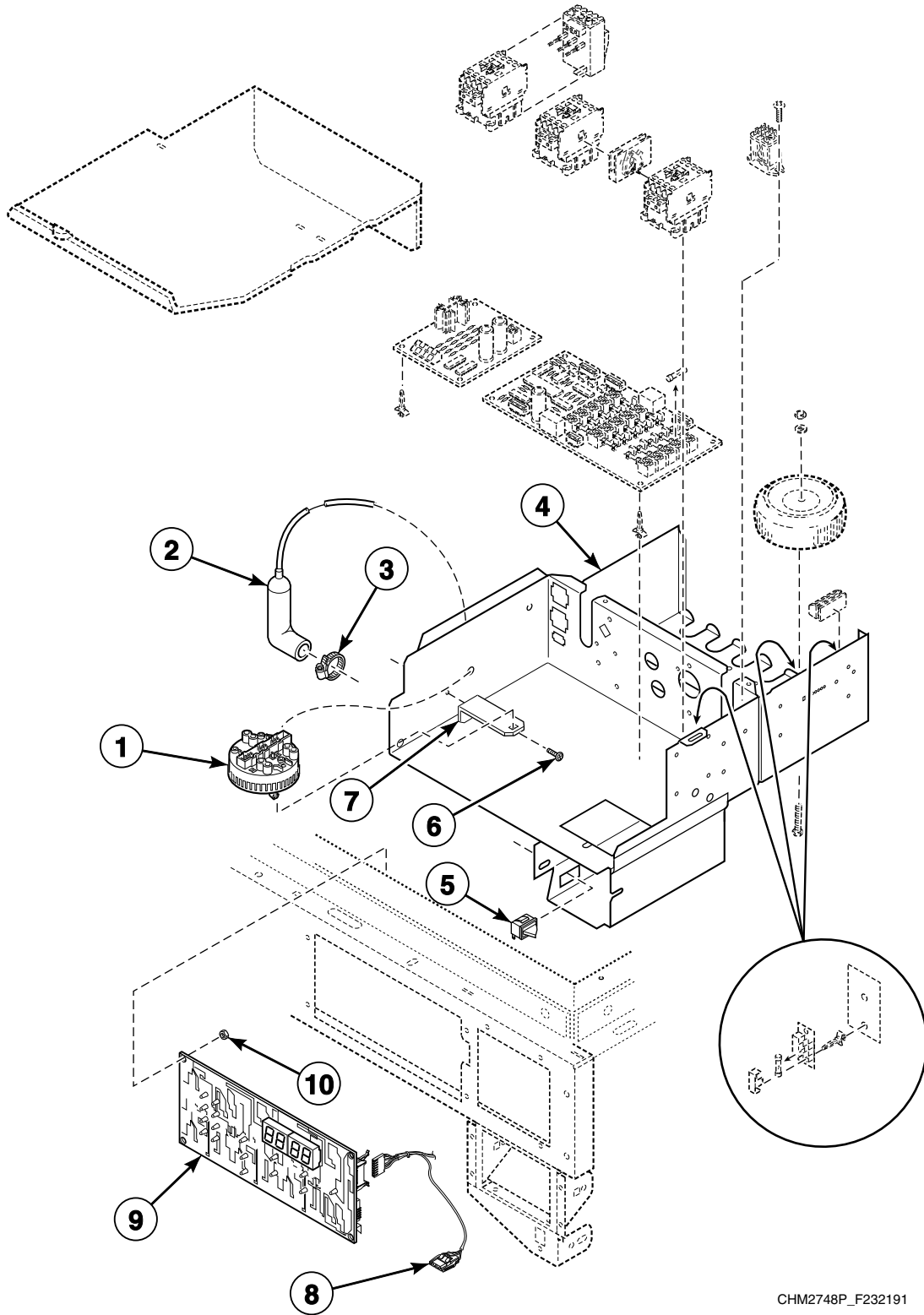


CHM2747P_F232191

Control Module - 2 Speed Models (Drawing 1 of 2)

REF	PART NO.	DESCRIPTION	COMMENTS
1	F0637177-00	Module Box Cover	
2	F330176P	Contactors	
3	F8344001P	Overload Contactor	DC20, DC25, DC30, HC20, HC25, HC30, SC20, SC25 and SC30 models
	F8344101P	Overload Contactor	DC40, HC40 and SC40 models
	F8176101P	Overload Contactor	DC40, HC40 and SC40 Y-voltage models; HC50 and SC50 models
4	F430917	Screw	
5	M412534	Relay	
6	F430215	Nut	
7	F0360170-00P	Transformer	
8	F140768	Terminal	
9	F430996	Screw	
10	F231356	Fuse Decal	1 Amp
	F231351	Fuse Decal	1.6 Amp
	F231355	Fuse Decal	2 Amp
	F231350	Fuse Decal	3 Amp
	F231352	Fuse Decal	3.15 Amp
	F231354	Fuse Decal	3.15 Amp; Pump drain option models
11	F180506	Standoff	
12	F350110	Fuse	1 Amp
	F350145	Fuse	1.6 Amp
	F350142	Fuse	2 Amp
	F350115	Fuse	3 Amp
	F350141	Fuse	3.15 Amp
	F350146	Fuse	5 Amp
13	F0350312-10	Fuse Holder	
14	F370434P	Output Relay CCA	Basic
	F370433P	Output Relay CCA	Full variable; Heat
15	F350142	Fuse	2 Amp
16	F370432P	Door Lock Control CCA	
17	F330186P	Interlock Contactor	

Control Module - 2 Speed Models (Drawing 2 of 2)



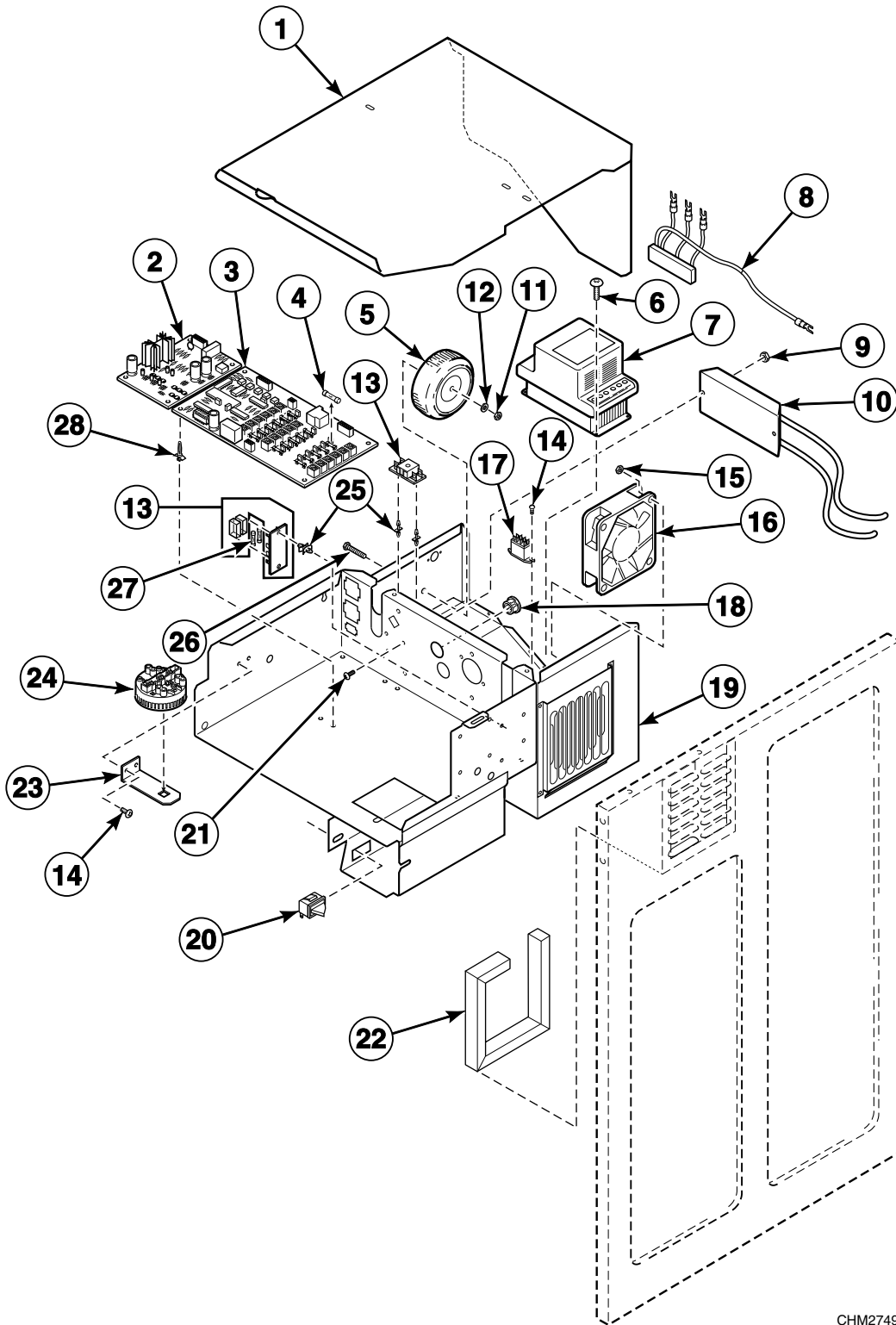
CHM2748P_F232191

Control Module - 2 Speed Models (Drawing 2 of 2)

REF	PART NO.	DESCRIPTION	COMMENTS
1	F0340343-10P	Water Level Switch	DC20, DC25, DC30, HC20, HC25, HC30, SC20, SC25 and SC30 models
	F0340345-10P	Water Level Switch	DC40, DC60, HC40, HC50, HC60, SC40, SC50 and SC60 models
2	F020014200	Air Trap Hose	
3	36801	Hose Clamp	No. 8
4	F0636969-00	Control Box Assembly	
5	F340435	Momentary Switch	
6	N/A	Screw	
7	F631920	Water Level Switch Bracket	
8	F141893	Harness Assembly	Connects the control assembly to the coin meter
9	F160203P	Logic Control Assembly	
10	685846	Nut	

N/A = Part no longer available

Control Module - F Speed Models



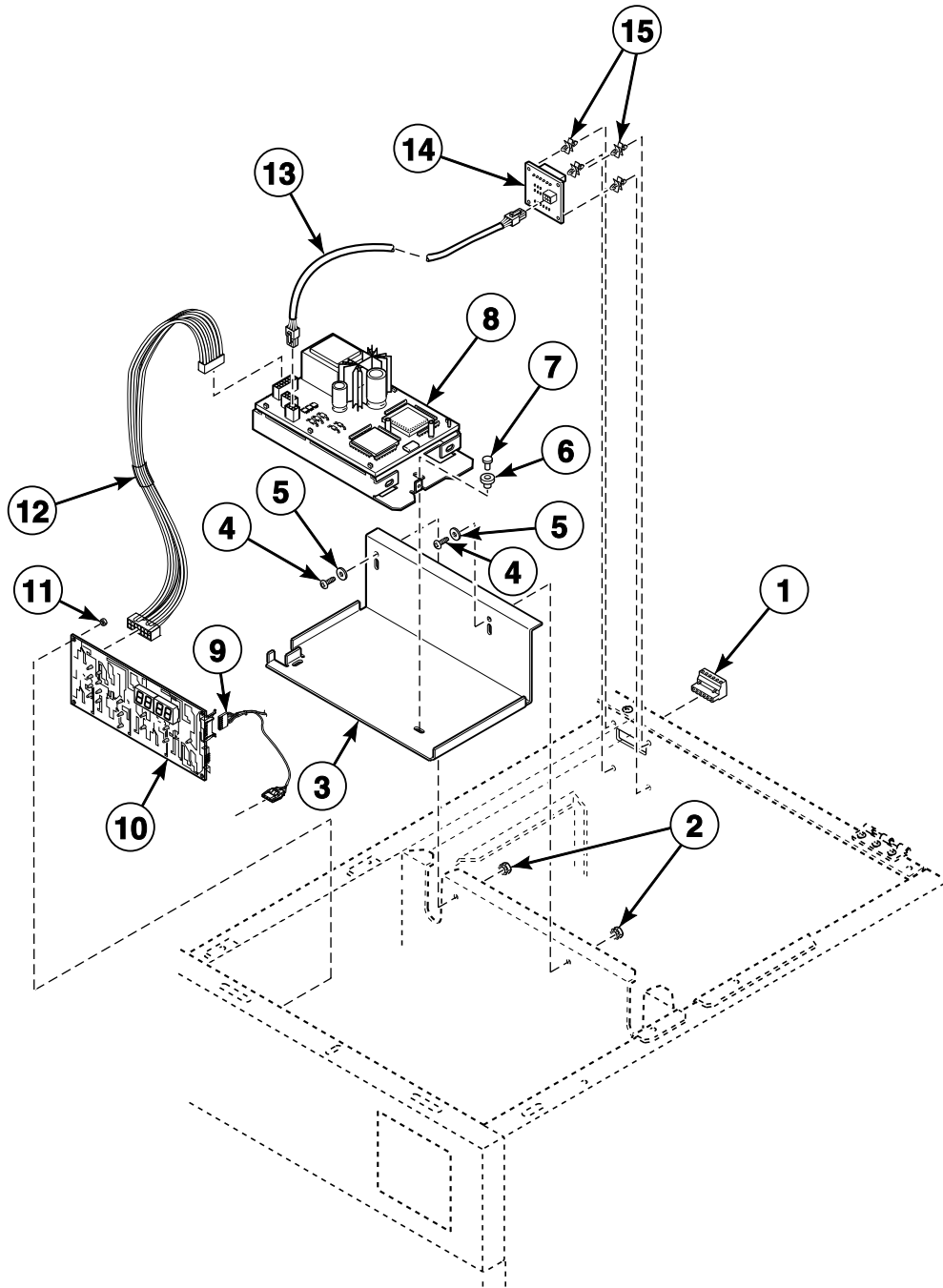
CHM2749P_F232191

Control Module - F Speed Models

REF	PART NO.	DESCRIPTION	COMMENTS
1	N/A	Module Box Cover	
2	F370432P	Door Lock Control CCA	
3	F370433P	Output Relay CCA	
4	F350142	Fuse	
5	F0360170-00P	Transformer	24 Volt
6	F430916	Screw	
7	F370843	Inverter Drive	160 series
8	F200320900	AC Drive Radio Filter Assembly	
9	F431016	Nut	
10	F8080001P	AC Drive Resistor Assembly	200 Volt
	F8079901P	AC Drive Resistor Assembly	400 Volt
11	F430215	Nut	
12	F431137	Washer	
13	F0350312-10	Fuse Holder	
14	N/A	Screw	
15	F430231	Nut	
16	F110110	Muffin Fan	
17	M412534	Relay	
18	F140909	Insulator Bushing	
19	N/A	Control Box Assembly	
20	F340435	Momentary Switch	
21	F430909	Screw	
22	F0100316-00P	Ventilation Seal	
24	F631920	Water Level Switch Bracket	
24	F0340345-10P	Water Level Switch	
25	F180506	Standoff	
26	F430996	Screw	
27	F350110	Fuse	1 Amp
	F350145	Fuse	1.6 Amp
	F350115	Fuse	3 Amp
	F350146	Fuse	5 Amp
28	F180501	Standoff	

N/A = Part no longer available

Network Controls



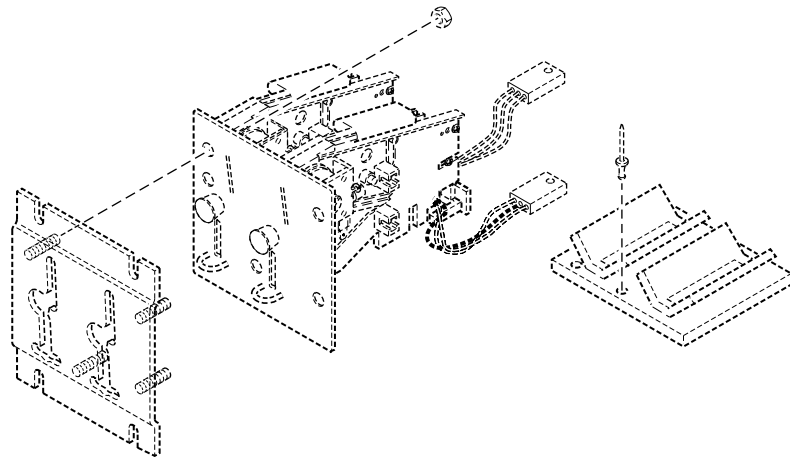
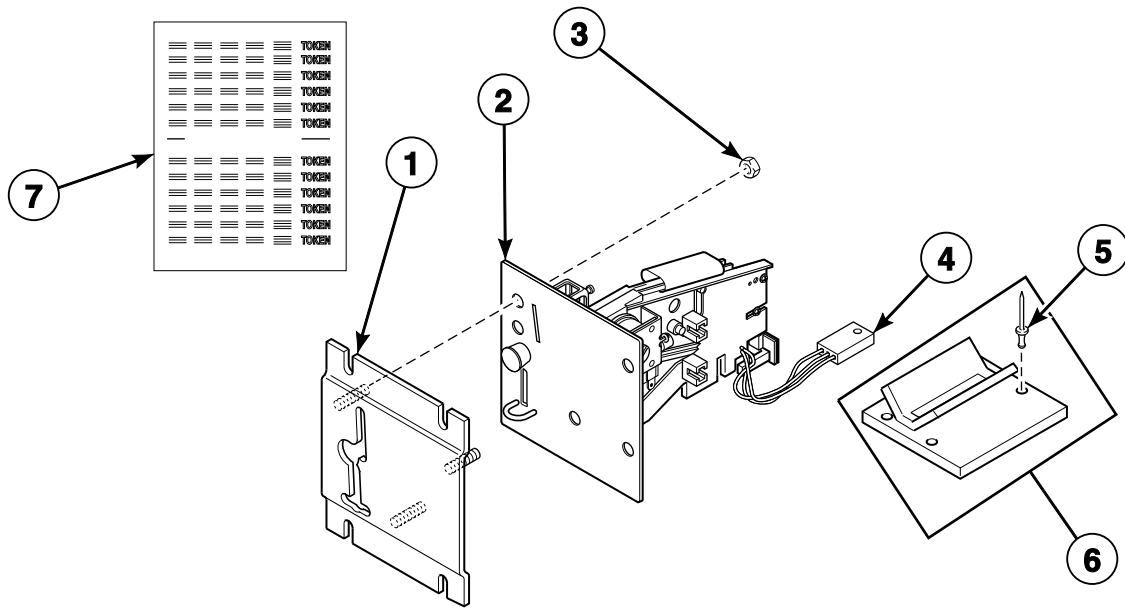
CHM2292P_F232191

Network Controls

REF	PART NO.	DESCRIPTION	COMMENTS
1	210099	Communication Connector	
2	F430232	Nut	
3	F634769	Network Interface Control Mounting Bracket	
4	F430903	Screw	
5	F430311	Washer	
6	F170607	Grommet	
7	F432005	Rivet	
8	210016P	Network Board Assembly	
9	F141886	Network Board Harness	
10	F160203P	Logic Control Assembly	
11	685846	Nut	
12	F141893	Harness Assembly	Connects the control assembly to the coin meter
13	N/A	Network Interface Harness	DC60, HC50, HC60, SC50 and SC60 models
	F141888	Network Interface Harness	All other models
14	210095P	Communication Board	
15	F180506	Standoff	

N/A = Part no longer available

Flush Mount Coin Meter Assembly - Single Drop NC and NX Models



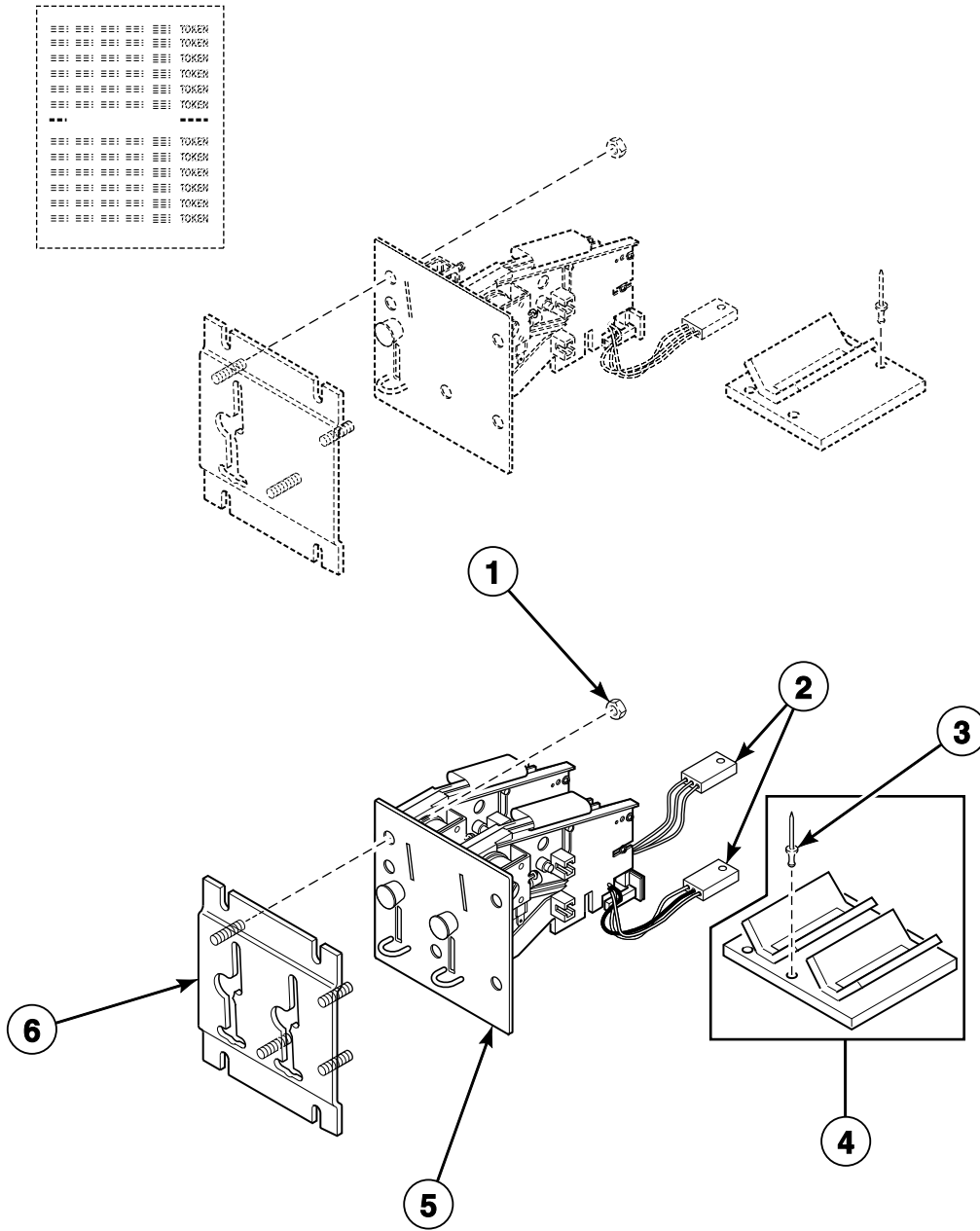
CHM2366P_F232191

Flush Mount Coin Meter Assembly - Single Drop NC and NX Models

REF	PART NO.	DESCRIPTION	COMMENTS
	F200010000P	Coin Meter Assembly	U.S. \$.25; Includes items 1-3
	F200010006	Coin Meter Assembly	.800 token; Includes items 1-3
	F200010007	Coin Meter Assembly	.880 token; Includes items 1-3
	F200010009	Coin Meter Assembly	.990 token; Includes items 1-3
	F200010011	Coin Meter Assembly	Jeton WH121 token; Includes items 1-3
	F200010012	Coin Meter Assembly	Jeton .08 token; Includes items 1-3
1	F0636707-00	Mounting Bracket Assembly	
2	38464P	Coin Drop Assembly	Canada .25
	N/A	Coin Drop Assembly	Australia .20
	N/A	Coin Drop Assembly	Belgium 5 franc
	N/A	Coin Drop Assembly	Denmark 2 krone
	N/A	Coin Drop Assembly	United Kingdom 20 pence
	N/A	Coin Drop Assembly	France 2 franc
	N/A	Coin Drop Assembly	Hong Kong 5 dollar
	N/A	Coin Drop Assembly	Italy 500 lirraiget
	38475	Coin Drop Assembly	Japan 100 yen
	38480	Coin Drop Assembly	Korea 500 won
	N/A	Coin Drop Assembly	South Africa 2 rand
	N/A	Coin Drop Assembly	Spain 100 peseta
	N/A	Coin Drop Assembly	Thailand 10 baht
	N/A	Coin Drop Assembly	.886 token
	N/A	Coin Drop Assembly	1.000 token
	39748	Coin Drop	Token; Jeton .08 MS; tokens with grooves on the face
	70441601P	Coin Drop	U.S. \$.25
	38963P	Coin Drop	.800 token
	38462P	Coin Drop Assembly	Token; 118-1; .880 diameter x .079 thick; Brass
	38463	Coin Drop Assembly	Token; 118-5; .990 diameter x .001 thick; Silver
	201141	Coin Drop Assembly	Token; Jeton WH121; tokens with grooves on the face
	N/A	Coin Meter	Jeton .08 token
3	685846	Nut	
4	200674P	Opto Coupler	
5	F431215	Pop Rivet	
6	F200002504P	Coin Guide Assembly	Includes item 6
7	38725	Coin Identification Paper	

N/A = Part no longer available

Flush Mount Coin Meter Assembly - Dual Drop NC and NX Models



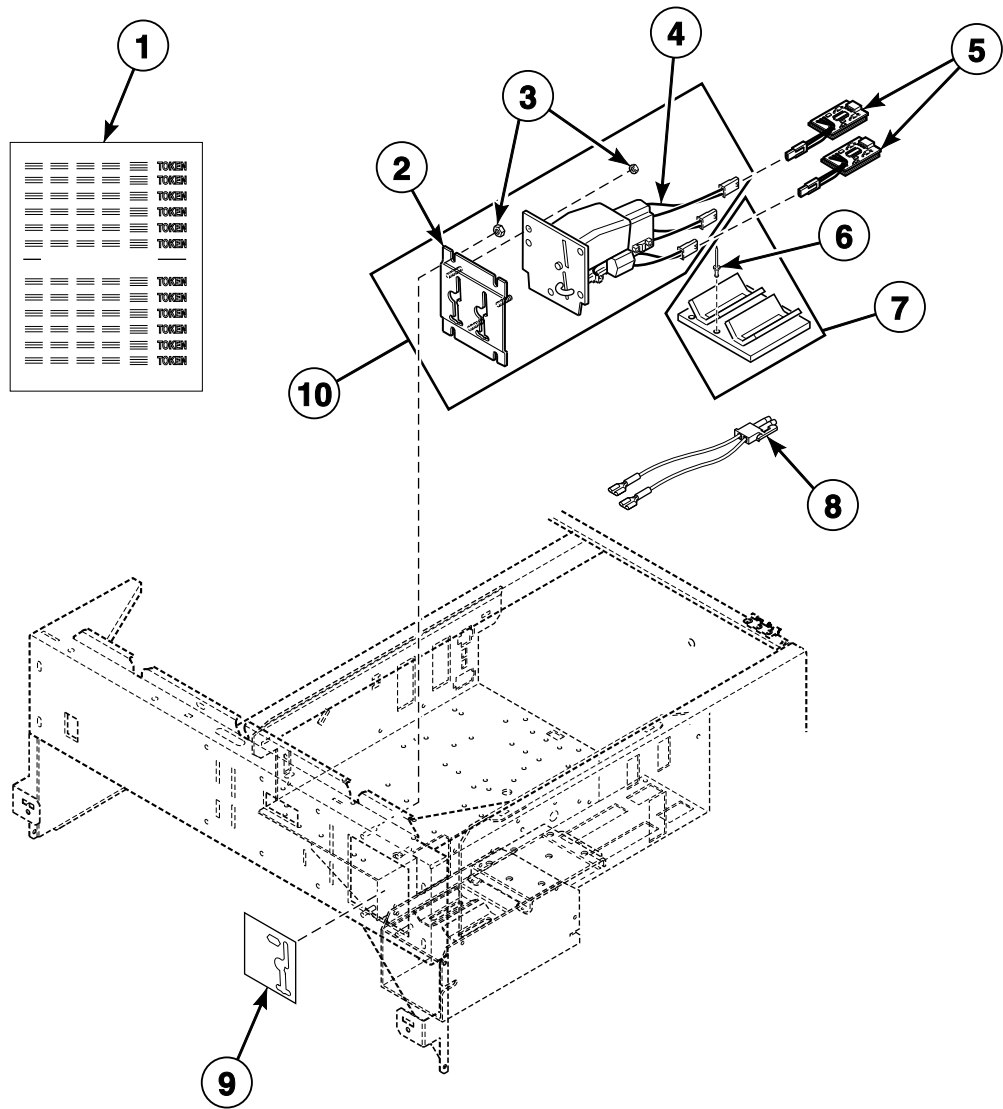
CHM2937P_F232191

Flush Mount Coin Meter Assembly - Dual Drop NC and NX Models

REF	PART NO.	DESCRIPTION	COMMENTS
	F200010001	Coin Meter Assembly	Australia .20 and 1.00; Includes items 1, 5 and 6
	F200010002	Coin Meter Assembly	100 and 500 yen; Includes items 1, 5 and 6
	F200010003	Coin Meter Assembly	Canada 1.00 and .25; Includes items 1, 5 and 6
	F200010004	Coin Meter Assembly	New Zealand .20 and 1.00; Includes items 1, 5 and 6
	F200010005	Coin Meter Assembly	U.S. \$1.00 and .25; Includes items 1, 5 and 6
	F200010008	Coin Meter Assembly	.50 and 2.00 euro; Includes items 1, 5 and 6
	F200010010	Coin Meter Assembly	10 and 50 Taiwan; Includes items 1, 5 and 6
1	685846	Nut	
2	200674P	Opto Coupler	
3	F431215	Pop Rivet	
4	F200002505	Coin Guide Kit	Includes item 4
5	N/A	Coin Meter	10 and 50 Taiwan
	N/A	Coin Meter	Belgium 5 and 20 franc
	N/A	Coin Meter	Denmark 1 and 5 krone
	N/A	Coin Meter	Denmark 5 and 10 krone
	38472	Coin Drop Assembly	United Kingdom 20 pence and 1 pound
	70283102	Coin Drop Assembly	.20 and .50 euro
	210195	Coin Drop Assembly	.20 and 1.00 euro
	210196	Coin Drop Assembly	.50 and 1.00 euro
	N/A	Coin Meter	2 and 5 franc
	N/A	Coin Meter	2 and 10 franc
	39157	Coin Drop Assembly	Israel 1 and 5 shekel
	38521	Coin Drop Assembly	Korea 100 and 500 won
	N/A	Coin Meter	Spain 100 and 500 peseta
	38467	Coin Drop Assembly	Australia .20 and 1
	38519	Coin Drop Assembly	Japan 100 and 500 yen
	70441602	Coin Drop Assembly	Canada 1.00 and .25
	N/A	Coin Drop Assembly	New Zealand .20 and 1.00
	200731	Coin Drop	U.S. \$1.00
	70256402P	Coin Drop	U.S. \$1.00 and .25
	F0160737-00	Coin Meter	.50 and 2.00 euro
	70281102	Coin Drop Assembly	10 and 50 Taiwan dollar
	CK077	Coin Drop Kit	Taiwan 5 and 10 dollar
6	F635319	Mounting Bracket Assembly	

N/A = Part no longer available

Electronic Coin Meter Assembly - NC and NX Models



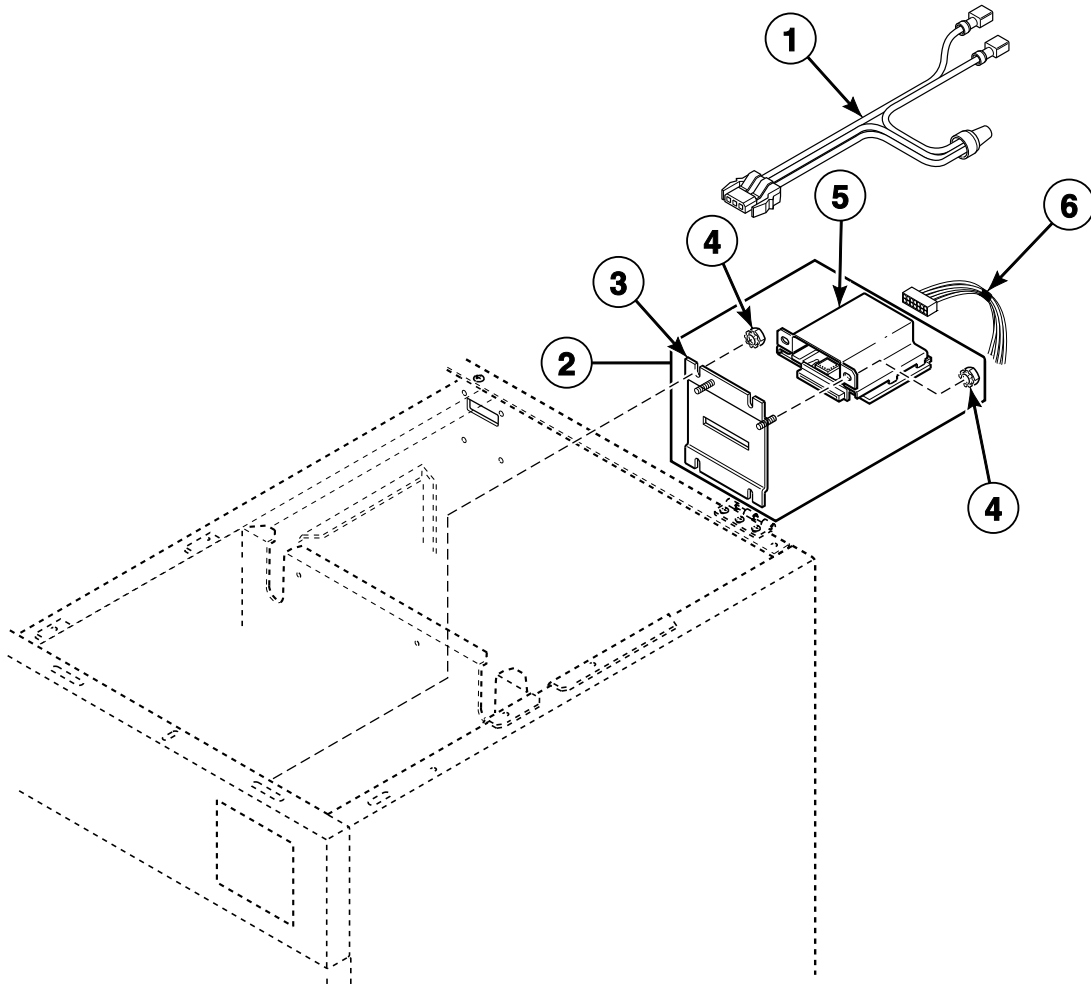
CHM2998P_F232191

Electronic Coin Meter Assembly - NC and NX Models

REF	PART NO.	DESCRIPTION	COMMENTS
	CK500	Electronic Coin Drop Kit	Includes items 2, 3, 8, and 10
1	38725	Coin Identification Paper	
2	F635319	Mounting Bracket Assembly	
3	685846	Nut	
4	CK115	Electronic Coin Drop Kit	U.S. and Canada; Requires CK500 Electronic Coin Drop Kit for installation; *
	CK113	Electronic Coin Drop Kit	Japan and Taiwan; Requires CK500 Electronic Coin Drop Kit for installation; *
	70294105P	Electronic Coin Drop Assembly	Australia, New Zealand, Hong Kong, South Korea and Malaysia
	CK099	Electronic Coin Drop Kit	Australia, New Zealand, Hong Kong, South Korea and Malaysia; Includes 70294105P Electronic Coin Drop Assembly; Requires CK500 Electronic Coin Drop Kit for installation; *
	70294103P	Electronic Coin Drop Assembly	United Kingdom and euro
	CK100	Electronic Coin Drop Kit	United Kingdom and euro; Includes 70294103P Electronic Coin Drop Assembly; Requires CK500 Electronic Coin Drop Kit for installation; *
	70294104	Electronic Coin Drop Assembly	Denmark, Norway and euro
	CK101	Electronic Coin Drop Kit	Denmark, Norway and euro; Includes 70294104 Electronic Coin Drop Assembly; Requires CK500 Electronic Coin Drop Kit for installation; *
	CK110	Electronic Coin Drop Kit	U.S., Mexico and Ecuador; Includes 70294106 Electronic Coin Drop Assembly; Requires CK500 Electronic Coin Drop Kit for installation; *
	70294106	Electronic Coin Drop Assembly	U.S., Mexico and Ecuador
	70294107	Electronic Coin Drop Assembly	Euro, Latvia and Lithuania
	CK103	Electronic Coin Drop Kit	Euro, Latvia and Lithuania; Includes 70294107 Electronic Coin Drop Assembly; Requires CK500 Electronic Coin Drop Kit for installation; *
	70294109	Electronic Coin Drop Assembly	Singapore, China, Russia and Malaysia
	CK106	Electronic Coin Drop Kit	Singapore, China, Russia and Malaysia; Includes 70294109 Electronic Coin Drop Assembly; Requires CK500 Electronic Coin Drop Kit for installation; *
	CK109	Electronic Coin Drop Kit	Euro; Includes 70294111 Electronic Coin Drop Assembly; Requires CK500 Electronic Coin Drop Kit for installation; *
	70294111	Electronic Coin Drop Assembly	Euro
5	F8034701P	Pulse Expander Assembly	
6	F431215	Pop Rivet	
7	F200002505	Coin Guide Kit	Includes item 5
8	F0637798-00	Harness	
9	70295101	Overlay	SC models; Black
	70295301	Overlay	DC and HC models; Gray
10	F200021600P	Coin Meter Assembly	U.S., Canada, Japan and Taiwan; Includes items 2-4; Requires CK500 Electronic Coin Drop Kit for installation
	F200021601	Coin Meter Assembly	Australia, New Zealand, Hong Kong, South Korea and Malaysia; Includes items 2-4; Requires CK500 Electronic Coin Drop Kit for installation
	F200021602	Coin Meter Assembly	United Kingdom and euro; Includes items 2-4; Requires CK500 Electronic Coin Drop Kit for installation
	F200021603	Coin Meter Assembly	Denmark, Norway and euro; Includes items 2-4; Requires CK500 Electronic Coin Drop Kit for installation
	F200021604	Coin Meter Assembly	U.S., Mexico and Ecuador; Includes items 2-4; Requires CK500 Electronic Coin Drop Kit for installation
	F200021605	Coin Meter Assembly	Euro, Latvia and Lithuania; Includes items 2-4; Requires CK500 Electronic Coin Drop Kit for installation
	F8238601	Coin Meter Assembly	China, Russia and Malaysia; Includes items 2-4; Requires CK500 Electronic Coin Drop Kit for installation

* NOTE: Electronic Coin Drop Kits include item 1, 201091 Overlay, 201104 Harness, 201216 Nut, 201572 Clip, 29786 Nut, electronic coin drop assembly and instruction.

Card Reader - NR and NY Models

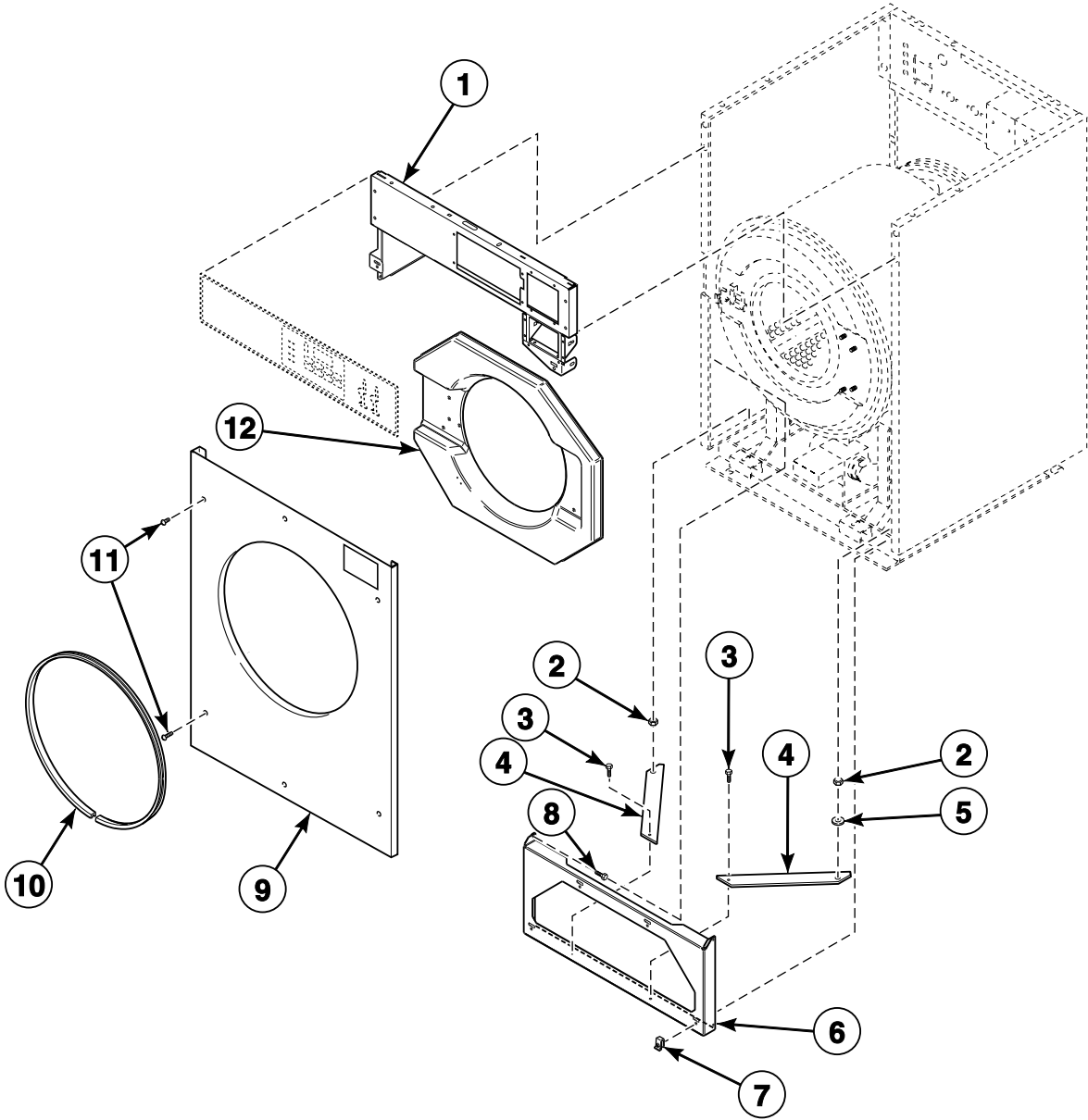


CHM2388P_F232191

Card Reader - NR and NY Models

REF	PART NO.	DESCRIPTION	COMMENTS
1	F631973-2	Harness	Access
2	F200019900	Card Reader Assembly	Non-network models; Includes items 1 and 3-6
	F200019901	Card Reader Assembly	Network models; Includes items 1 and 3-6
3	F635320	Mounting Bracket Assembly	
4	F431017	Nut	
5	510068P	Card Reader and Bracket Assembly	
6	F141887	Card Reader Harness	Non-network models
	F141889	Card Reader Harness	Network models

Front Panels and Control Panel



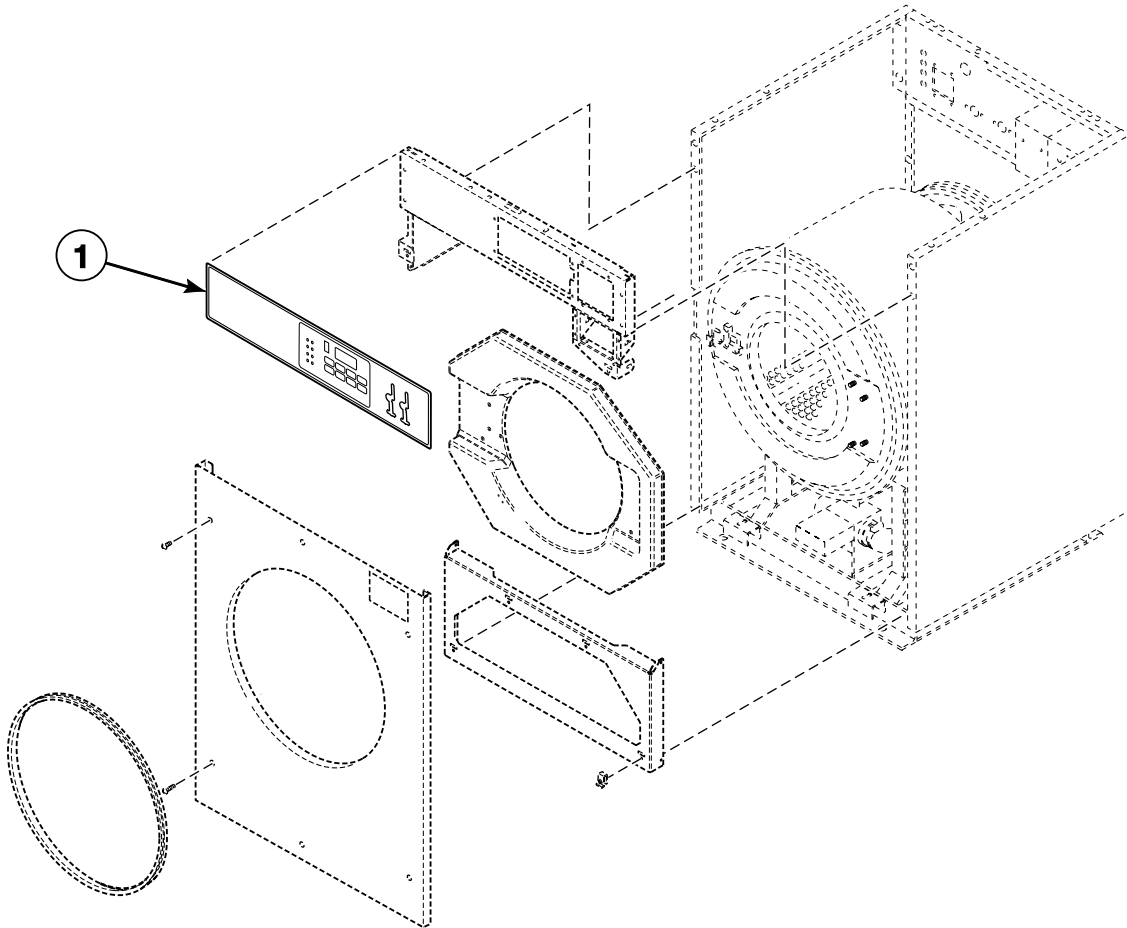
CHM2931P_F232191

Front Panels and Control Panel

REF	PART NO.	DESCRIPTION	COMMENTS
1	F0636955-00	Control Panel Assembly	DC20, DC25, HC20, HC25, SC20 and SC25 models
	F0636964-00	Control Panel Assembly	DC30, HC30 and SC30 models
	F0636582-02	Control Panel Assembly	DC40, HC40 and SC40 models
	F0636966-00	Control Panel Assembly	DC60, HC50, HC60, SC50 and SC60 models
2	F430233	Nut	DC40, HC40 and SC40 models
3	F430174	Screw	DC40, HC40 and SC40 models
4	F200168900	Cabinet Corner Stiffener	DC40, HC40 and SC40 models
5	M405535	Washer	DC40, HC40 and SC40 models
6	F634800	Cabinet Brace	DC20, DC25, HC20, HC25, SC20 and SC25 models
	F634801	Cabinet Brace	DC30, HC30 and SC30 models
	F0636217-00	Cabinet Brace	DC40, HC40 and SC40 models
	F634803P	Cabinet Brace	DC60, HC50, HC60, SC50 and SC60 models
7	F430264	Nut	
8	F430174	Screw	
9	F8200301P	Front Panel	Stainless steel; Models DC20NC2, HC20NC2, SC20NC2 and SC20NX2
	F634682-2	Front Panel	Almond; Models DC20NC2, HC20NC2, SC20NC2 and SC20NX2
	F634682-5	Front Panel	White; Models DC20NC2, HC20NC2, SC20NC2 and SC20NX2
	F8200302P	Front Panel	Stainless steel; Model SC20NR2
	N/A	Front Panel	Almond; Model SC20NR2
	N/A	Front Panel	White; Model SC20NR2
	F634836-1P	Front Panel	Stainless steel; Models DC25NC2, HC25NC2, SC25NC2 and SC25NX2
	F634836-2	Front Panel	Almond; Models DC25NC2, HC25NC2, SC25NC2 and SC25NX2
	N/A	Front Panel	White; Models DC25NC2, HC25NC2, SC25NC2 and SC25NX2
	F634837-1	Front Panel	Stainless steel; Model SC25NR2
	F634837-2	Front Panel	Almond; Model SC25NR2
	F634837-5	Front Panel	White; Model SC25NR2
	F8200401P	Front Panel	Stainless steel; Models DC30NC2, HC30NC2, SC30NC2 and SC30NX2
	N/A	Front Panel	Almond; Models DC30NC2, HC30NC2, SC30NC2 and SC30NX2
	N/A	Front Panel	White; Models DC30NC2, HC30NC2, SC30NC2 and SC30NX2
	F8200402P	Front Panel	Stainless steel; Models SC30NR2 and SC30NY2
	F634666-2	Front Panel	Almond; Model SC30NR2
	F634666-5	Front Panel	White; Model SC30NR2
	F8200501P	Front Panel	Models DC30NC2, HC40NC2, SC40NC2 and SC40NX2
	F8200502P	Front Panel	Stainless steel; Model SC40NR2
	N/A	Front Panel	White; Model SC40NR2
	F8200601P	Front Panel	Stainless steel; DC60, HC50, HC60, SC50 and SC60 NC and NX models
	N/A	Front Panel	Almond; DC60, HC50, HC60, SC50 and SC60 NC and NX models
N/A	Front Panel	White; DC60, HC50, HC60, SC50 and SC60 NC and NX models	
F8200602P	Front Panel	Stainless steel; SC50 and SC60 NR and NY models	
N/A	Front Panel	White; SC50 and SC60 NR and NY models	
10	F015050100P	Trim	Models through 4/29/08; Requires F8142701 Adhesive for installation
11	F430956	Screw	
12	F170416-1	Door Bezel	SC20 and SC25 models; Black
	F170416-2	Door Bezel	Models DC20NC2, DC25NC2, HC20NC2 and HC25NC2; Pantone 403
	F170417-1	Door Bezel	SC30 models; Black
	F170417-2	Door Bezel	Models DC30NC2 and HC30NC2; Pantone 403
	F0170426-10	Door Bezel	Models DC40NC2, DC60NC2, HC40NC2, HC50NC2, HC60NC2 and HC60NCF; Pantone 403
	F0170426-00	Door Bezel	SC40, SC50 and SC60 models; Black

N/A = Part no longer available

Control Panel Decals

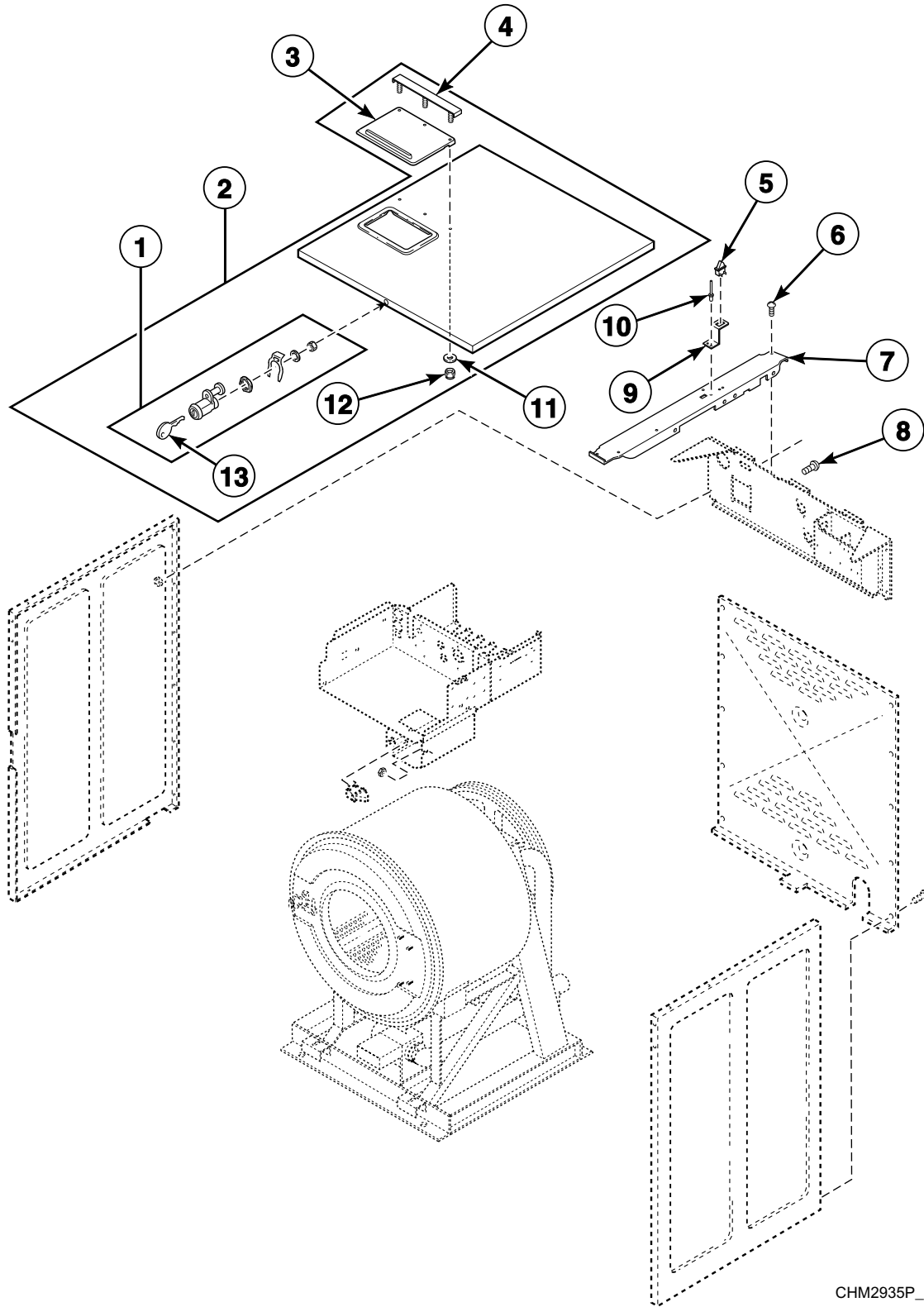


CHM2164P_F232191

Control Panel Decals

REF	PART NO.	DESCRIPTION	COMMENTS
1	F231528-1	Control Decal	Models SC20NC2 and SC25NC2; Single coin drop
	F231528-2	Control Decal	Models SC20NC2 and SC25NC2; Dual coin drop
	F0231566-12	Control Panel Decal	Models DC20NC2, HC20NC2 and HC25NC2; Dual coin drop; Japanese
	F0231441-00	Control Panel Decal	Models SC20NR2, SC25NR2, SC20NX2 and SC25NX2
	F231527-1	Control Decal	Model SC30NC2; Single coin drop
	F0231527-02	Control Decal	Model SC30NC2; Dual coin drop
	F0231579-22	Control Panel Decal	Models DC30NC2 and HC30NC2; Dual coin drop; Japanese
	F0231464-00	Control Panel Decal	Models SC30NR2, SC30NX2 and SC30NY2
	F0231611-31	Control Panel Decal	Model SC40NC2; Single coin drop
	F0231611-32	Control Panel Decal	Model SC40NC2; Dual coin drop
	F0231586-32	Control Panel Decal	Models DC40NC2 and HC40NC2; Dual coin drop; Japanese
	F0231611-34	Control Panel Decal	Model SC40NR2
	F0231611-33	Control Panel Decal	Model SC40NX2
	F231525-1	Control Decal	Model SC50NC2; Single coin drop
	F231525-2	Control Decal	Model SC50NC2; Dual coin drop
	F0231568-42	Control Panel Decal	Models DC60NC2, HC50NC2, HC60NC2 and HC60NCF; Dual coin drop; Japanese
	F200018041	Control Panel Decal	Models SC60NC2 and SC60NCF; Single coin drop
	F200018042	Control Panel Decal	Models SC60NC2 and SC60NCF; Dual coin drop
	F200015000	Control Panel Decal	Models SC50NR2, SC50NX2, SC60NR2, SC60NRF, SC60NX2, SC60NXF and SC60NYF

Panels (Drawing 1 of 2)

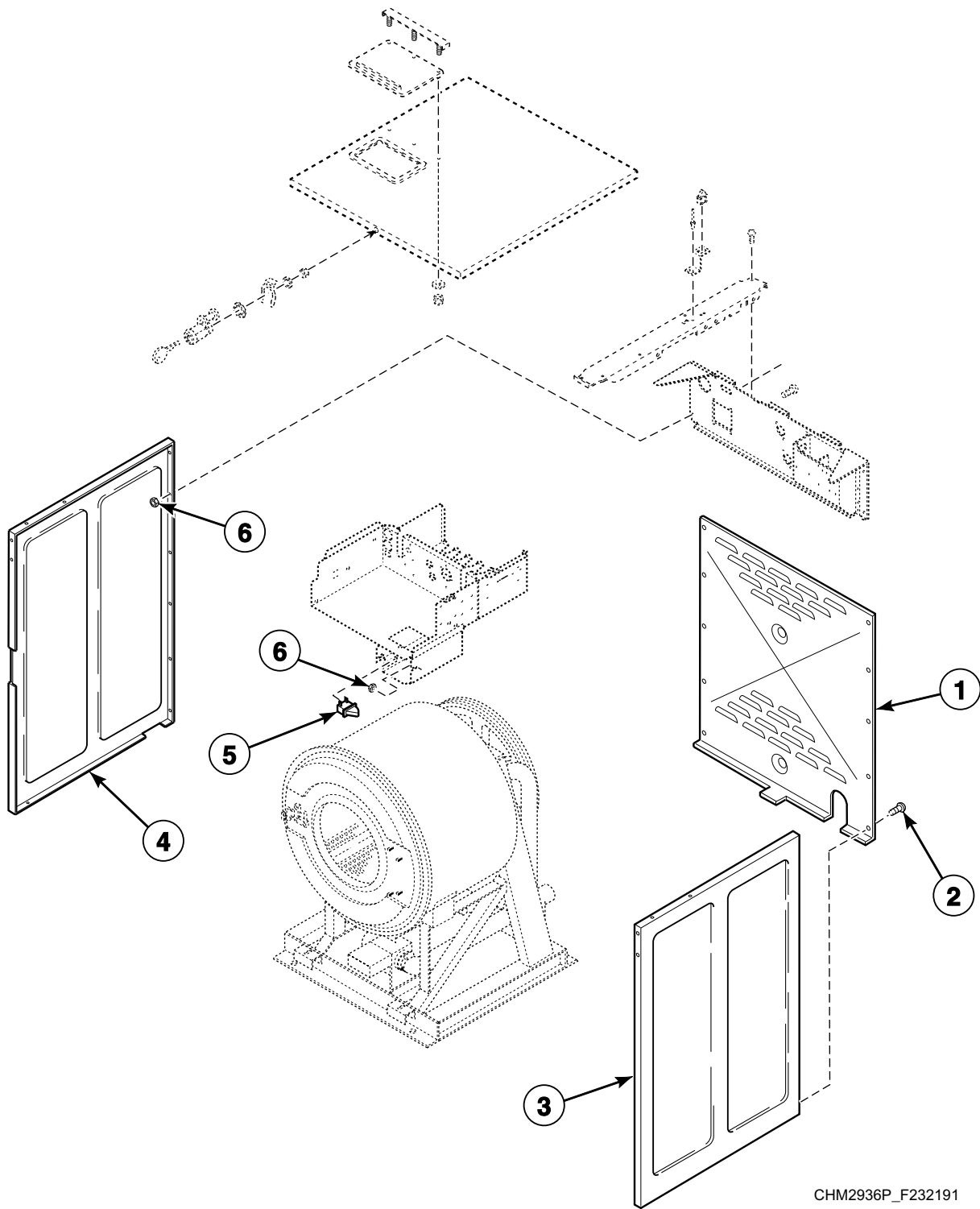


CHM2935P_F232191

Panels (Drawing 1 of 2)

REF	PART NO.	DESCRIPTION	COMMENTS
1	F0190808-00P	Lid Lock Pin	
2	F063618900P	Top Cover Assembly	DC20, HC20 and SC20 models; Includes items 1, 3, 4 and 16-18
	F063659800P	Top Cover Assembly	DC25, HC25 and SC25 models; Includes items 1, 3, 4 and 16-18
	F063652000P	Top Cover Assembly	DC30, HC30 and SC30 models; Includes items 1, 3, 4 and 16-18
	F063664000P	Top Cover Assembly	DC40, HC40 and SC40 models; Includes items 1, 3, 4 and 16-18
	F063632700	Top Cover Assembly	HC50 and SC50 models; Includes items 1, 3, 4 and 16-18
	F063771200P	Top Cover Assembly	DC60, HC60 and SC60 models; Includes items 1, 3, 4 and 16-18
3	F200270500	Supply Dispenser Lid	Gray
4	F630430	Lid Clamp Assembly	
5	F340435	Momentary Switch	
6	F430174	Screw	
7	F0636131-00	Cabinet Brace	DC20, HC20 and SC20 models
	F0636596-00	Cabinet Brace	DC25, HC25 and SC25 models
	F0636518-00	Cabinet Brace	DC30, HC30 and SC30 models
	F0636218-00	Cabinet Brace	DC40, HC40 and SC40 models
	F0636320-00	Cabinet Brace	HC50 and SC50 models
	F0637632-00	Cabinet Brace	DC60, HC60 and SC60 models
8	F430925	Screw	
9	F631949	Switch Mounting Bracket	
10	J1111905	Blind Rivet	
11	F431147	Washer	
12	F431024	Nut	
13	70155603	Key	

Panels (Drawing 2 of 2)



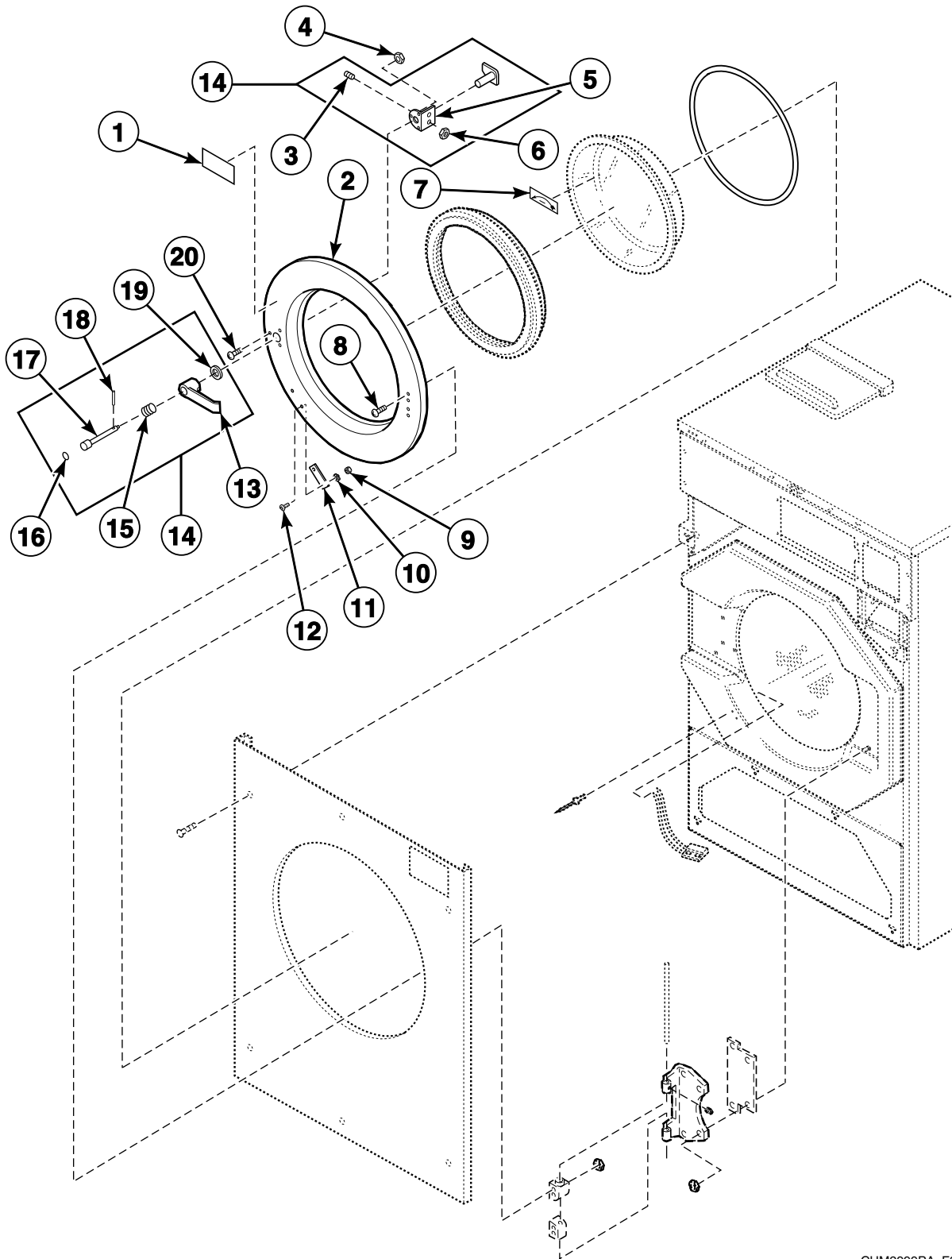
CHM2936P_F232191

Panels (Drawing 2 of 2)

REF	PART NO.	DESCRIPTION	COMMENTS
1	F757000	Rear Panel Kit	DC20, HC20 and SC20 models; Includes item 5
	F757001	Rear Panel Kit	DC25, HC25 and SC25 models; Includes item 5
	F0636321-00P	Rear Panel	DC30, HC30 and SC30 models
	F0636220-00P	Rear Panel	DC40, HC40 and SC40 models
	F757002	Rear Panel Kit	HC50 and SC50 models; Includes item 5
	F200022900P	Rear Panel	DC60, HC60 and SC60 models
2	F430174	Screw	
3	F0636135-00P	Right Side Panel	DC20, HC20 and SC20 models; Stainless steel
	F0636594-00P	Right Side Panel	DC25, HC25 and SC25 models; Stainless steel
	F0636515-00P	Side Panel	Right; DC30, HC30 and SC30 models; Stainless steel
	F0635981-00P	Side Panel	Right; DC40, HC40 and SC40 models; Stainless steel
	F0636300-00P	Side Panel	Right; HC50 and SC50 models; Stainless steel
	F0637630-00P	Side Panel	Right; DC60, HC60 and SC60 2 speed models; Stainless steel
	F200200900P	Side Panel Assembly	Right; HC60 and SC60 F speed models; Stainless steel
	F8157301P	Right Side Panel	DC20, HC20 and SC20 models; Vinyl
	F8156601	Right Side Panel	DC25, HC25 and SC25 models; Vinyl
	F8155501P	Right Side Panel	DC30, HC30 and SC30 models; Vinyl
	F8155701P	Right Side Panel	DC40, HC40 and SC40 models; Vinyl
	F8160001	Right Side Panel	HC50 and SC50 models; Vinyl
	F8160301P	Right Side Panel	DC60, HC60 and SC60 2 speed models; Vinyl
	4	F0636136-00P	Left Side Panel
F0636595-00P		Left Side Panel	DC25, HC25 and SC25 models; Stainless steel
F0636516-00P		Side Panel	Left; DC30, HC30 and SC30 models; Stainless steel
F0635982-00P		Side Panel	Left; DC40, HC40 and SC40 models; Stainless steel
F0636299-00		Side Panel	Left; HC50 and SC50 models; Stainless steel
F0637628-00P		Side Panel	Left; DC60, HC60 and SC60 models; Stainless steel
F8157401P		Left Side Panel	DC20, HC20 and SC20 models; Vinyl
F8156701		Left Side Panel	DC25, HC25 and SC25 models; Vinyl
F8155601P		Left Side Panel	DC30, HC30 and SC30 models; Vinyl
F8155901P		Left Side Panel	DC40, HC40 and SC40 models; Vinyl
F8159901		Left Side Panel	HC50 and SC50 models; Vinyl
F8160101P		Left Side Panel	DC60, HC60 and SC60 2 speed models; Vinyl
F8178301		Side Panel Assembly	Models HC60NCF, SC60NCF, SC60NRF, SC60NXF and SC60NYF; Vinyl
5		N/A	Switch
6	F430215	Nut	

N/A = Part no longer available

Door (Drawing 1 of 2)



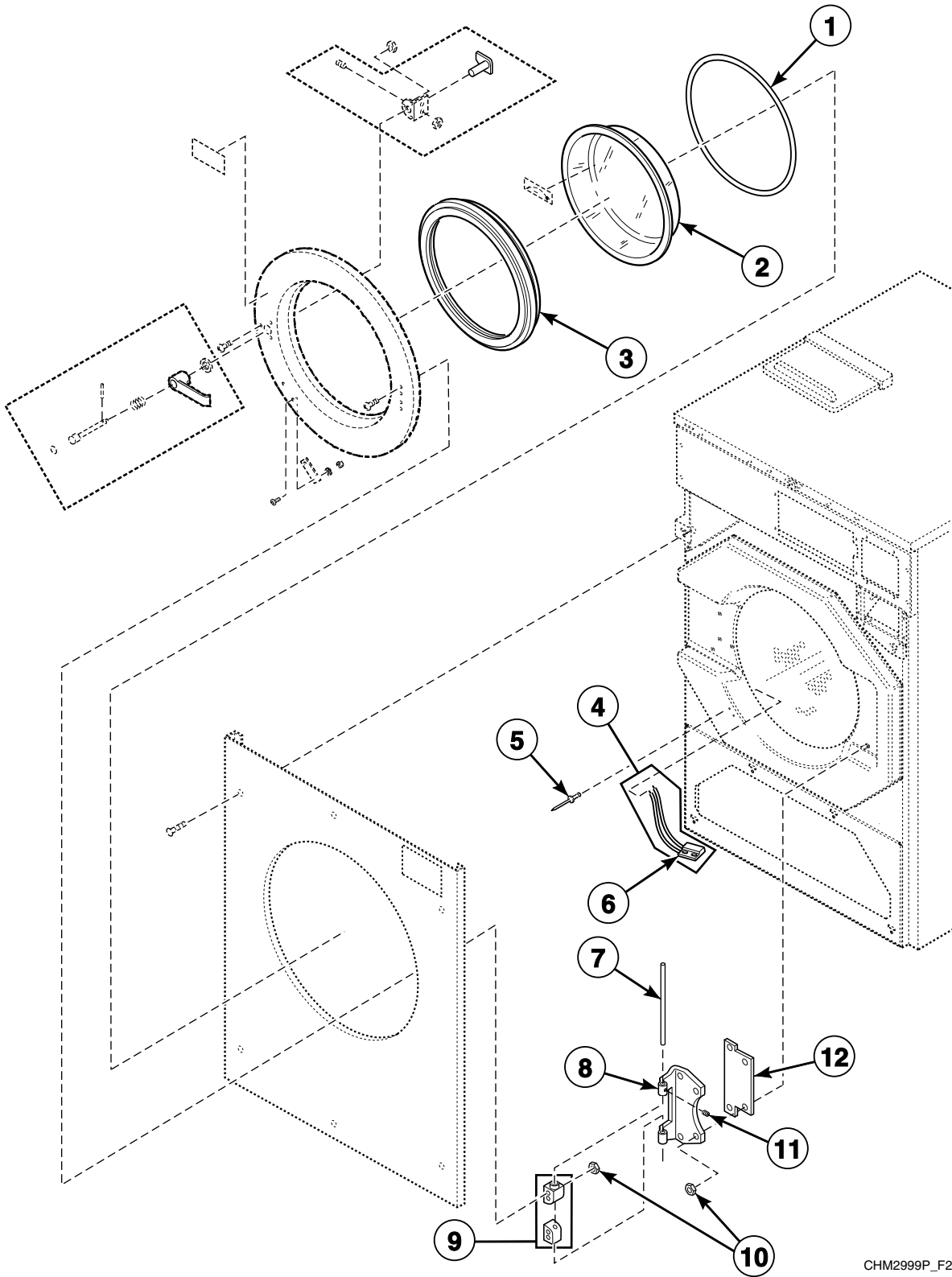
CHM2999PA_F232191

Door (Drawing 1 of 2)

REF	PART NO.	DESCRIPTION	COMMENTS
	F604079-2	Door Assembly	DC20, DC25, HC20, HC25, SC20 and SC25 models; Includes items 2-6, 8-13, 15-20 and items 1-3 and 6-10 on <i>Door (Drawing 2 of 2)</i> ; Gray door gasket
	F8150301	Door Assembly	DC20, DC25, HC20, HC25, SC20 and SC25 models; Includes items 2-6, 9-14, 18-20 and items 2, 3 and 6-10 on <i>Door (Drawing 2 of 2)</i> ; Black door gasket
	F603239-3	Door Assembly	DC30, HC30 and SC30 models; Includes items 2-6, 8-13, 15-20 and items 1-3 and 6-10 on <i>Door (Drawing 2 of 2)</i> ; Gray door gasket
	F8150401	Door Assembly	DC30, HC30 and SC30 models; Includes items 2-6, 9-14, 16, 18-20 and items 2, 3 and 6-10 on <i>Door (Drawing 2 of 2)</i> ; Black door gasket
	F060390106	Door Assembly	DC40, HC40, HC50, HC60, SC40, SC50 and SC60 models; Includes items 2-6, 8-13, 15-20 and items 1-3 and 6-10 on <i>Door (Drawing 2 of 2)</i> ; Gray door gasket
	F8150501	Door Assembly	DC60, HC40, HC50, HC60, SC40, SC50 and SC60 models; Includes items 2-6, 9-14, 16, 18-20 and items 2, 3 and 6-10 on <i>Door (Drawing 2 of 2)</i> ; Black door gasket
1	F230661	Push Red Button Decal	
2	N/A	Door	DC20, DC25, HC20, HC25, SC20 and SC25 models
	F602837-1	Door	DC30, HC30 and SC30 models
	F602842-2	Door	DC40, DC60, HC40, HC50, HC60, SC40, SC50 and SC60 models
3	F430532	Screw	DC20, DC25, HC20, HC25, SC20 and SC25 models
	F430533	Screw	DC30, DC40, DC60, HC30, HC40, HC50, HC60, SC30, SC40, SC50 and SC60 models
4	F430232	Nut	
5	F0150273-00	Door Spacer	
6	F431041	Nut	
7	F230693	Counterclockwise Spin Rotation Decal	
8	F430969	Bolt	
9	F431022	Nut	
10	F431113	Washer	
11	F8390801	Magnet	
12	F430916	Screw	
13	F150225	Door Handle	
14	F730155	Door Handle Kit	Includes items 3, 5, 6, 13 and 15-19
15	F310125	Door Lock Spring	
16	F230662	Red Dot Decal	
17	F320300	Pushbutton Rod	
18	F431222	Spring Pin	
19	F431907	Washer	
20	F430976	Screw	

N/A = Part no longer available

Door (Drawing 2 of 2)

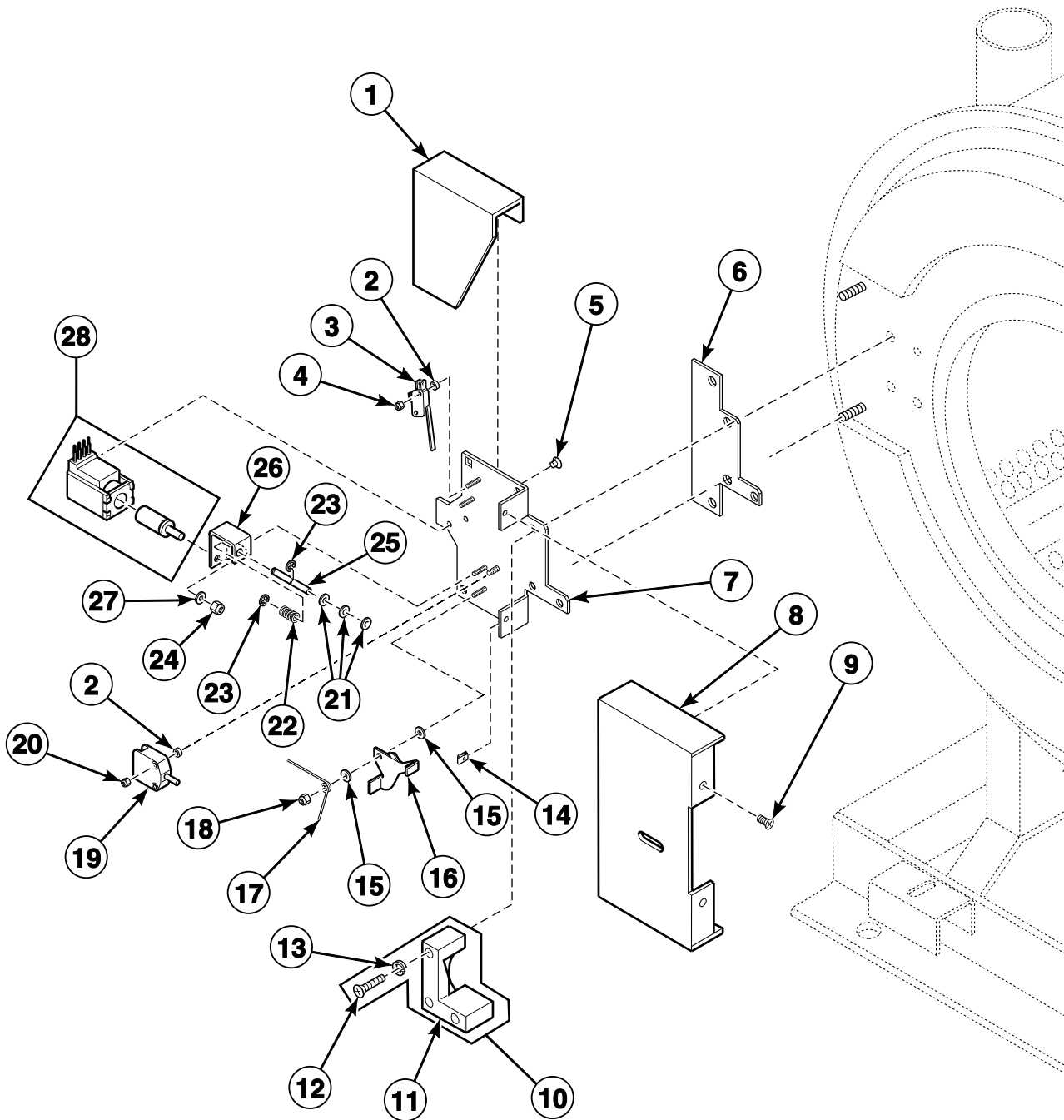


CHM2999P_F232191

Door (Drawing 2 of 2)

REF	PART NO.	DESCRIPTION	COMMENTS
1	F170209	O-Ring	Optional; DC20, DC25, HC20, HC25, SC20 and SC25 models
2	F290205P	Door Glass Kit	DC20, DC25, HC20, HC25, SC20 and SC25 models
	F8485301	Door Glass Kit	DC30, HC30 and SC30 models
	F8485401P	Door Glass	DC40, DC60, HC40, HC50, HC60, SC40, SC50 and SC60 models
3	F200000200	Door Gasket	DC20, DC25, HC20, HC25, SC20 and SC25 models; Gray
	F200000202	Door Gasket	DC20, DC25, HC20, HC25, SC20 and SC25 models; Black
	F170123	Door Gasket	DC30, HC30 and SC30 models; Gray
	F017012302	Door Gasket	DC30, HC30 and SC30 models; Black
	F170124	Door Gasket	DC40, DC60, HC40, HC50, HC60, SC40, SC50 and SC60 models; Gray
	F017012402	Door Gasket	DC40, DC60, HC40, HC50, HC60, SC40, SC50 and SC60 models; Black
4	F200321200	Magnetic Switch Assembly	2 speed models
	F200321300	Magnetic Switch Assembly	F-speed models
5	J1111905	Blind Rivet	Use with F200321200 Magnetic Switch Assembly; Models through 8/10/08
	F8245101	Blind Rivet	Use with F200321200 Magnetic Switch Assembly; Models starting 8/11/08
6	F0340723-00	Magnetic Switch	
7	F602813-2	Rod	DC20, DC25, DC30, HC20, HC25, HC30, SC20, SC25 and SC30 models
	F602813-3	Rod	DC40, DC60, HC40, HC50, HC60, SC40, SC50 and SC60 models
8	F190216P	Door Hinge	
9	F150271	Door Mount	
10	F430215	Nut	
11	F430536	Screw	
12	F200131000P	Door Hinge Shim Kit	Use as needed

Door Lock



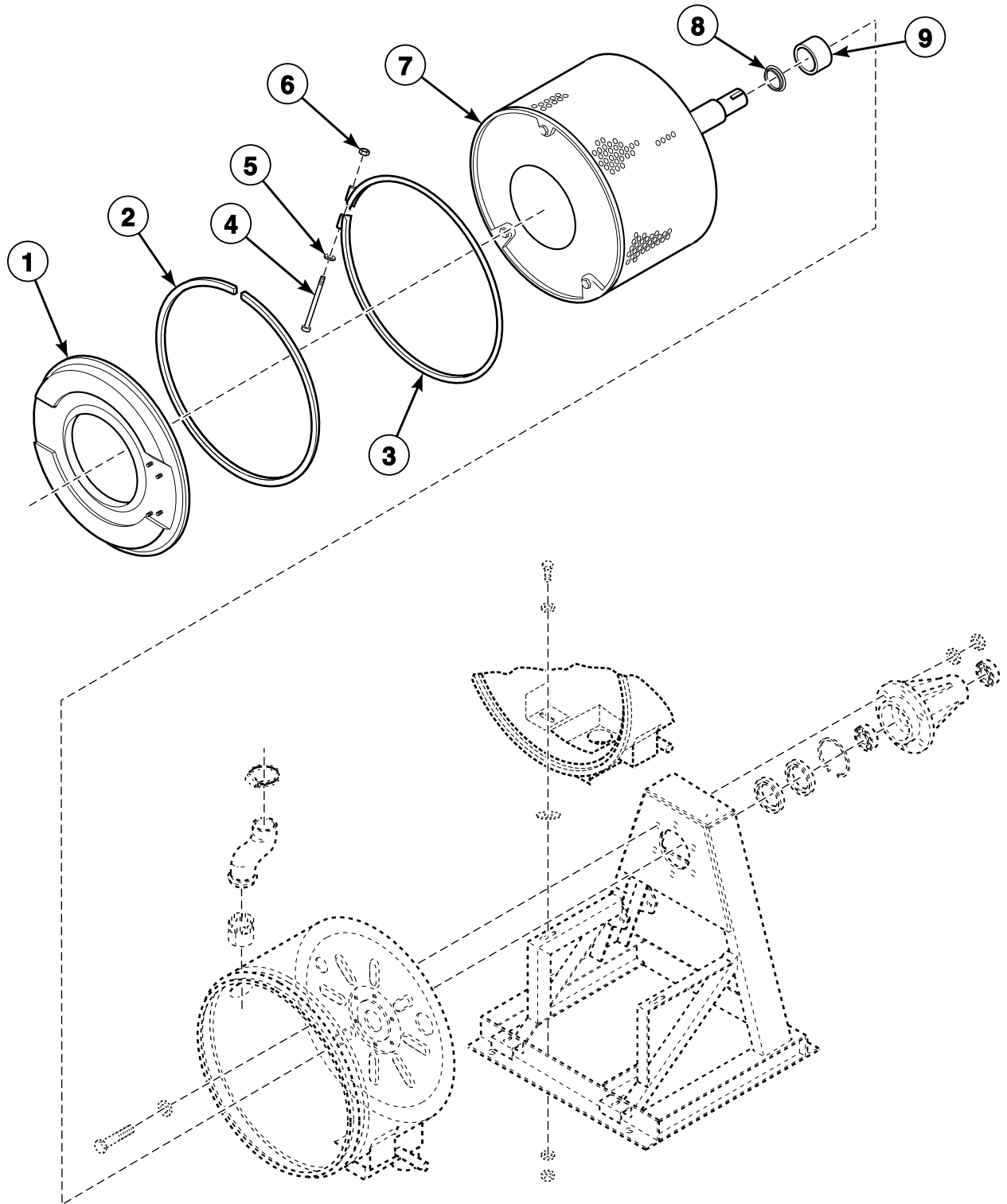
CHM2885P_F232191

Door Lock

REF	PART NO.	DESCRIPTION	COMMENTS
	F0636698-01P	Door Lock Assembly	DC20, DC25, DC30, DC40, HC20, HC25, HC30, HC40, SC20, SC25, SC30 and SC40 standard models; Includes items 2-4, 7, 14-28 and the harness
	F0636698-03	Door Lock Assembly	DC60, HC50, HC60, SC50 and SC60 models; Models with heat; Includes items 2-4, 7, 14-28 and the harness
	N/A	Door Lock Assembly	All other models; Models with heat; Includes items 2-4, 7, 14-28 and the harness
	F0631986-02	Door Lock Wire Harness	All standard models
	N/A	Door Lock Wire Harness	DC60, HC50, HC60, SC50 and SC60 models; Models with heat
	N/A	Door Lock Wire Harness	All other models; Models with heat
1	F320200	Door Lock Splash Shield	
2	F431901	Spacer	
3	F200203200	Door Lock Microswitch	
4	F430225	Nut	
5	F430977	Screw	
6	F8059701	Door Lock Plate Shim	
7	F8066701	Door Lock Plate Assembly	
8	F603003	Door Lock Assembly Cover	
9	F430956	Screw	
10	F746808	L-Catch Kit	Includes items 11-13
11	F150261	Door Lock Catch Casting	
12	F430982	Screw	
13	F431100	Washer	
14	F430264	Nut	
15	F431902	Washer	
16	F0636636-00	Door Lock Switch Lever	
17	F310110	Door Lock Torsion Spring	
18	F430232	Nut	
19	F340200	Door Switch	
20	F430231	Nut	
21	F431147	Washer	
22	F310137	Door Lock Pin Release Spring	
23	F310205	E-Ring Retainer	
24	F431017	Nut	
25	F431231	Door Locking Linkage Pin	
26	F150455	Door Lock Pin Linkage	
27	F431123	Washer	
28	F300125P	Solenoid	

N/A = Part no longer available

Basket, Shell and Frame (Drawing 1 of 2)

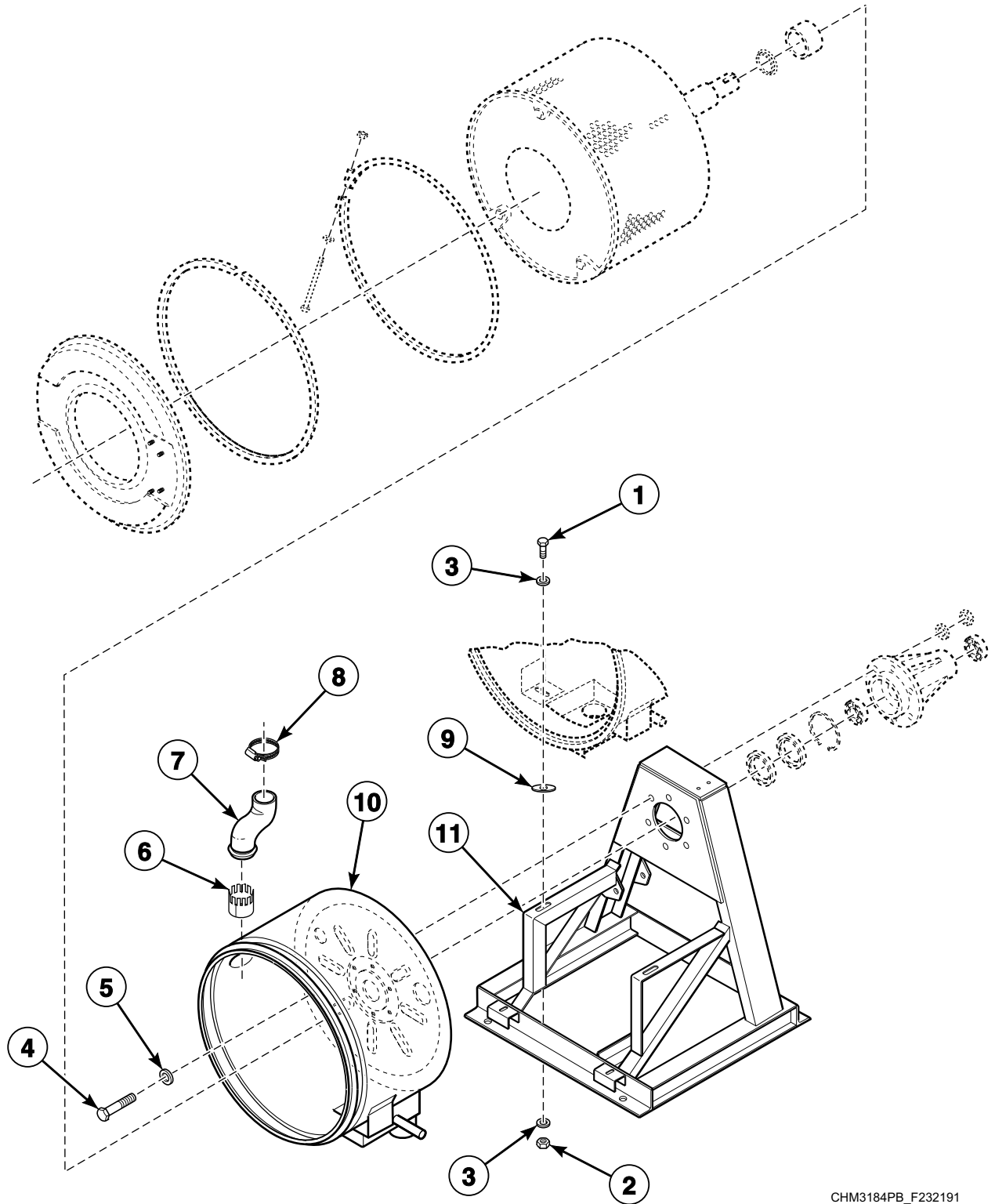


CHM3184PA_F232191

Basket, Shell and Frame (Drawing 1 of 2)

REF	PART NO.	DESCRIPTION	COMMENTS
	389P4	Basket Tool Kit	Purchase; Use with F935P3, F936P3, F938P3 and F939P3
	390P4	Basket Rental Tool Kit	Pressfit Upgrade Kits; Requires F460129P Bearing Puller Tool
			Use with F935P3, F936P3, F938P3 and F939P3 Pressfit
			Upgrade Kits; Requires F460129P Bearing Puller Tool
1	F609270-1	Shell Front Assembly	DC20, DC25, HC20, HC25, SC20 and SC25 models
	F632006P	Shell Front Assembly	DC30, HC30 and SC30 models
	F0636283-00P	Shell Front Assembly	DC40, HC40 and SC40 models
	F609272-1P	Shell Front Assembly	DC60, HC50, HC60, SC50 and SC60 models
2	F792000	Shell Front Gasket Kit	Includes items 4-6
3	F741700	Shell Band Kit	DC20, DC25, HC20, HC25, SC20 and SC25 models; Includes
			items 4-6
	F8388002	Clamp Ring Assembly	DC30, HC30 and SC30 models
	F741701	Shell Band Kit	DC40, HC40 and SC40 models; Includes items 4-6
	F741702	Shell Band Kit	DC60, HC50, HC60, SC50 and SC60 models; Includes items 4-6
4	F430518	Screw	
5	F430317	Washer	
6	F430215	Nut	
7	F935P3	Pressfit Upgrade Kit	DC20, HC20 and SC20 models; Includes items 8, 9, F8347801
			Basket Assembly and F747001 Trunnion Kit
	F938P3	Pressfit Upgrade Kit	DC40, HC40 and SC40 models; Includes items 8, 9, F8336301P
			Basket Assembly and F747003 Trunnion Kit
	F8347801P	Basket Assembly	DC20, HC20 and SC20 models that have been upgraded with
			F935P3 Pressfit Upgrade Kit; Includes items 8 and 9
	F8123601P	Basket Assembly	DC25, HC25 and SC25 models; Includes item 8
	F936P3	Pressfit Upgrade Kit	DC30, HC30 and SC30 models; Includes items 8, 9 F8347901
			Basket Assembly and F747002 Trunnion Kit
	F8347901P	Basket Assembly	DC30, HC30 and SC30 models that have been upgraded with
			F936P3 Pressfit Upgrade Kit; Includes items 8 and 9
	F8391701	Basket Assembly	DC40, HC40 and SC40 models that have been upgraded with
			F938P3 Pressfit Upgrade Kit; Includes items 8 and 9
	F942P3	Pressfit Upgrade Kit	HC50 and SC50 models; Includes items 2 and 3, F8338401
			Basket Assembly and F747005 Trunnion Kit
	F939P3	Pressfit Upgrade Kit	DC60, HC60 and SC60 models; Includes items 8, 9, F8336501
			Basket Assembly and F747005 Trunnion Kit
	F603900-1	Basket Assembly	HC50 and SC50 models; Includes item 8
	F8438401	Basket Assembly	HC50 and SC50 models; Models that have been upgraded with
			F942P3 Pressfit Upgrade Kit; Includes items 2 and 3
	F8391901	Basket Assembly	DC60, HC60 and SC60 models that have been upgraded with
			F939P3 Pressfit Upgrade Kit; Includes items 8 and 9
8	F8336801	Excluder Seal	DC20, HC20 and SC20 models that have been upgraded with
			F935P3 Pressfit Upgrade Kit
	F8336901	Excluder Seal	DC30, HC30 and SC30 models that have been upgraded with
			F936P3 Pressfit Upgrade Kit
	F8337001	Excluder Seal	DC40, HC40 and SC40 models that have been upgraded with
			F938P3 Pressfit Upgrade Kit
	F8337101	Excluder Seal	DC60, HC60 and SC60 models that have been upgraded with
			F939P3 Pressfit Upgrade Kit
9	F8312002P	Shaft Seal Sleeve	DC20, HC20 and SC20 models through 11/6/06
	F8312001P	Shaft Seal Sleeve	DC20, HC20 and SC20 models starting 11/7/06 that have not
			been retrofitted with F935P3 Pressfit Upgrade Kit; DC25, HC25
			and SC25 models
	F8343901P	Shaft Seal Sleeve Kit	DC20, HC20 and SC20 models that have been upgraded with
			F935P3 Pressfit Upgrade Kit
	F8312004P	Shaft Seal Sleeve	DC30, HC30 and SC30 models that have not been upgraded with
			F936P3 Pressfit Upgrade Kit
	F8343904P	Shaft Seal Sleeve Kit	DC30, HC30 and SC30 models that have been upgraded with
			F936P3 Pressfit Upgrade Kit
	F8312003P	Shaft Seal Sleeve	DC40, HC40 and SC40 models through 10/14/07
	F8343906P	Shaft Seal Sleeve Kit	DC40, HC40 and SC40 models that have been upgraded with
			F938P3 Pressfit Upgrade Kit
	F8312006P	Shaft Seal Sleeve	DC40, HC40 and SC40 models starting 10/15/07 that have not
			been upgraded with F938P3 Pressfit Upgrade Kit
	F8312008P	Shaft Seal Sleeve	HC50 and SC50 models; Models that have not been upgraded
			with F942P3 Pressfit Upgrade Kit
	F8343909P	Shaft Seal Sleeve Kit	HC50 and SC50 models that have been upgraded with F942P3
			Pressfit Upgrade Kit; DC60, HC60 and SC60 models

Basket, Shell and Frame (Drawing 2 of 2)

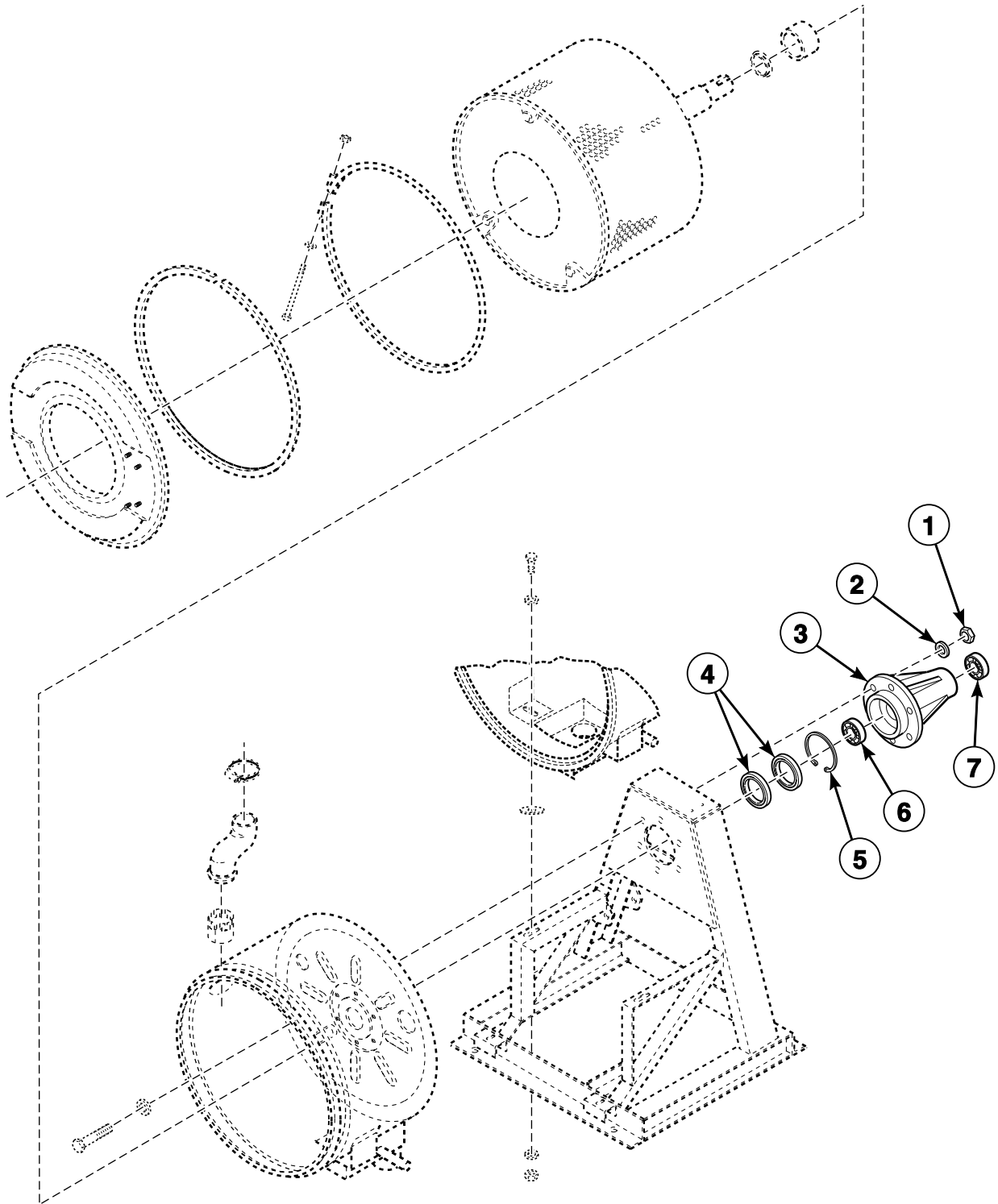


CHM3184PB_F232191

Basket, Shell and Frame (Drawing 2 of 2)

REF	PART NO.	DESCRIPTION	COMMENTS
1	F430942	Screw	
2	F430218	Nut	
3	M400081	Washer	
4	F430949	Screw	DC20, DC25, HC20, HC25, SC20 and SC25 models
	F430987	Screw	DC30, DC40, DC60, HC30, HC40, HC50, HC60, SC30, SC40, SC50 and SC60 models
5	F431128	Washer	DC20, DC25, HC20, HC25, SC20 and SC25 models
	F431131	Washer	DC30, DC40, DC60, HC30, HC40, HC50, HC60, SC30, SC40, SC50 and SC60 models
6	F150419	Supply Dispenser Baffle	Optional; Used to prevent water entering the supply dispenser during an extraction step
7	F8061601	Supply Dispenser Hose	DC25, HC25 and SC25 models
	F0200236-01	Supply Dispenser Hose	DC20, DC30, HC20, HC30, SC20 and SC30 models
	F8071701	Supply Dispenser Hose	DC40, DC60, HC40, HC50, HC60, SC40, SC50 and SC60 models
8	F200213	Hose Clamp	No. 40
9	F430303	Washer	
10	F0636388-00	Shell Weldment	DC20, HC20 and SC20 models; Standard
	F063659201	Shell Weldment	DC25, HC25 and SC25 models; Standard
	F0636555-00	Shell Weldment	DC30, HC30 and SC30 models; Standard
	F063597402P	Shell Weldment	DC40, HC40 and SC40 models; Standard; Models through 1/25/05
	F8196201	Shell Weldment	DC40, HC40 and SC40 models; Standard; Models starting 1/26/05
	F0636460-00	Shell Weldment	HC50 and SC50 models; Standard
	F0637659-00	Shell Weldment	DC60, HC60 and SC60 models; Standard
11	F607003	Frame Assembly	DC20, HC20 and SC20 models
	F606178	Frame Assembly	DC25, HC25 and SC25 models
	F630232	Frame Assembly	DC30, HC30 and SC30 models
	F0636108-00	Frame Weldment	DC40, HC40 and SC40 models; Models through 1/25/05
	F200195300	Frame Weldment	DC40, HC40 and SC40 models; Models starting 1/26/05
	F607005	Frame Assembly	HC50 and SC50 models
	F0637645-00	Frame Assembly	DC60, HC60 and SC60 2 speed models
	F0637645-01	Frame Assembly	HC60 and SC60 F speed models

Trunnion - 20, 25 and 30 Pound Models



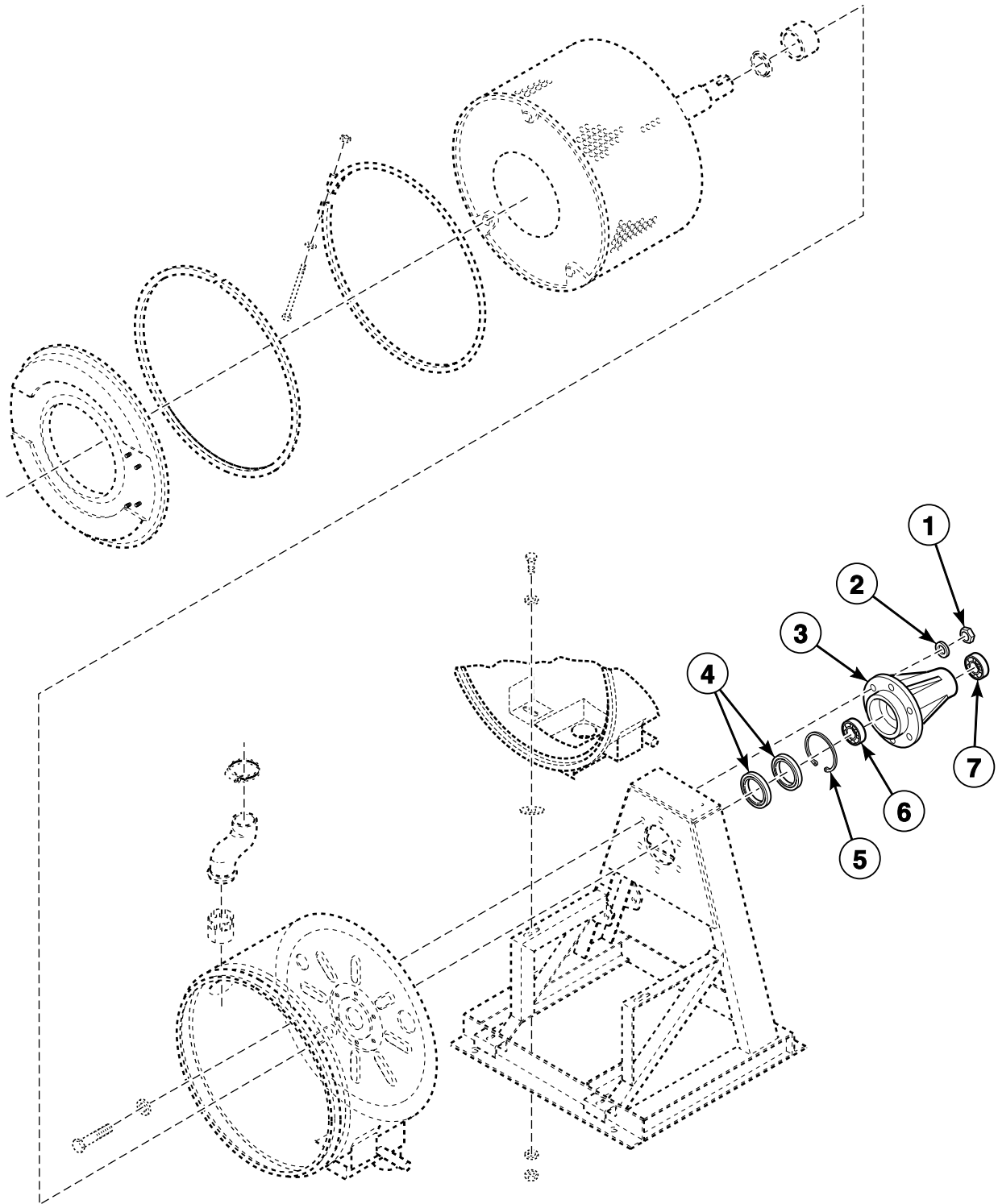
CHM3184P_F232191

Trunnion - 20, 25 and 30 Pound Models

REF	PART NO.	DESCRIPTION	COMMENTS
	RB100001	Bearing Kit	HC20 and SC20 models; Starting Serial No. 0611; Includes items 1, 2, 4, 6, 7, F430949 Screw, F792000 Shell Front Gasket Kit, F812P3 Kit and F8312001 Shaft Seal Sleeve
	RB100002	Bearing Kit	HC30 and SC30 models; Includes items 1, 2, 4, 6, 7, F430987 Screw, F430240 Nut, F792000 Shell Front Gasket Kit, F813P3 Kit and F8312004 Shaft Seal Sleeve
1	F430239	Nut	DC20, DC25, HC20, HC25, SC20 and SC25 models
	F430240	Nut	DC30, HC30 and SC30 models
2	F431128	Washer	DC20, DC25, HC20, HC25, SC20 and SC25 models
	F431131	Washer	DC30, HC30 and SC30 models
3	F747001	Trunnion Kit	DC20, HC20 and SC20 models that have been upgraded with F935P3 Pressfit Upgrade Kit; HC25 and SC25 models; Includes items 1, 2, 5, 6, F430949 Screw, F431128 Washer and F792000 Shell Front Gasket Kit
	F747002	Trunnion Kit	DC30, HC30 and SC30 models; Includes items 1, 2, 5, 6, F430987 Screw, F431131 Washer and F792000 Shell Front Gasket Kit
4	F100208	Shaft Seal	DC20, HC20 and SC20 models through 11/6/06
	N/A	Triple Lip Seal	DC20, HC20 and SC20 models starting 11/7/06 through 3/31/08; DC25, HC25 and SC25 models
	F8203801	Triple Lip Seal	DC20, DC25, HC20, HC25, SC20 and SC25 models starting 4/1/08
	N/A	Triple Lip Seal	DC30, HC30 and SC30 models; Models through 3/31/08
	F8203802	Triple Lip Seal	DC30, HC30 and SC30 models; Models starting 4/1/08
5	F8344901	Retaining Ring	DC20, HC20 and SC20 models that have been upgraded with F935P3 Pressfit Upgrade Kit
	F8345001	Retaining Ring	DC30, HC30 and SC30 models that have been upgraded with F936P3 Pressfit Upgrade Kit
6	F100108	Bearing	6208 2RS C3; DC20, HC20 and SC20 models through 11/6/06; Front
	F100137P	Bearing	6308 2RS C3; DC20, HC20 and SC20 models starting 11/7/06; DC25, HC25 and SC25 models; Front
	F100123P	Bearing	6309 2RS C3; DC30, HC30 and SC30 models; Front
7	F100109P	Motor Bearing	6207 2RS C3; DC20, HC20 and SC20 models through 11/6/06; Rear
	F100136P	Bearing	6307 2RS C3; DC20, HC20 and SC20 models starting 11/7/06; DC25, HC25 and SC25 models; Rear
	F100108	Bearing	DC30, HC30 and SC30 models; Rear

N/A = Part no longer available

Trunnion - 40, 50 and 60 Pound Models



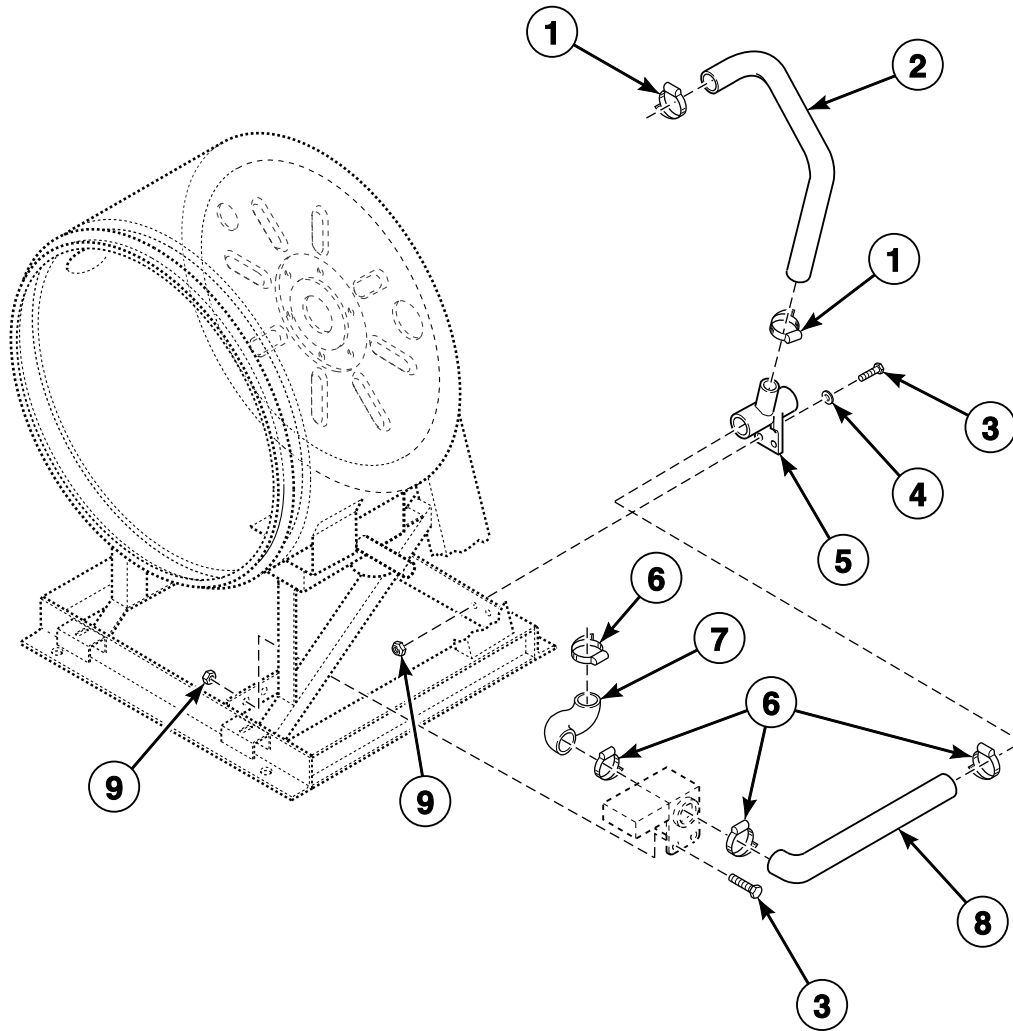
CHM3184P_F232191

Trunnion - 40, 50 and 60 Pound Models

REF	PART NO.	DESCRIPTION	COMMENTS
	RB100003	Bearing Kit	HC40 and SC40 models; Through Serial No. 0710; Includes items 1, 2, 4, 6, 7, F430987 Screw, F792000 Shell Front Gasket Kit, F813P3 Kit and F8312003 Shaft Seal Sleeve
	RB100004	Bearing Kit	HC40 and SC40 models; Starting Serial No. 0710; Includes items 1, 2, 4, 6, 7, F430987 Screw, F792000 Shell Front Gasket Kit, F813P3 Kit and F8312005 Shaft Seal Sleeve
	RB100005	Bearing Kit	HC50 and SC50 models; Starting Serial No. 0710; Includes items 1, 2, 4, 6, 7, F430987 Screw, F792000 Shell Front Gasket Kit, F813P3 Kit and F8312008 Shaft Seal Sleeve
	RB100006	Bearing Kit	HC60 and SC60 models; Starting Serial No. 0710; Includes items 1, 2, 4, 6, 7, F430987 Screw, F792000 Shell Front Gasket Kit, F813P3 Kit and F8343909 Shaft Seal Sleeve
1	F430240	Nut	
2	F431131	Washer	
3	F747002	Trunnion Kit	DC40, HC40 and SC40 models through 10/14/07; Includes items 1, 2, 5, 6, F430987 Screw, F431131 Washer and F792000 Shell Front Gasket Kit
	F747003	Trunnion Kit	DC40, HC40 and SC40 models starting 10/15/07 or that have been upgraded with F938P3 Pressfit Upgrade Kit; Includes items 1, 2, 5, 6, F430987 Screw, F431131 Washer and F792000 Shell Front Gasket Kit
	F747004	Trunnion Kit	HC50 and SC50; Models that have not been upgraded with F942P3 Pressfit Upgrade Kit; Includes items 1, 2, 5, 6, F430987 Screw, F431131 Washer and F792000 Shell Front Gasket Kit
	F747005	Trunnion Kit	DC60, HC60 and SC60 models; HC50 and SC50 models that have been upgraded with F942P3 Pressfit Upgrade Kit; Includes items 1, 2, 5, 6, F430987 Screw, F431131 Washer and F792000 Shell Front Gasket Kit
4	N/A	Triple Lip Seal	DC40, HC40 and SC40 models; Models through 3/31/08
	F8203803	Triple Lip Seal	DC40, HC40 and SC40 models; Models starting 4/1/08
	F8203805	Triple Lip Seal	HC50 and SC50 models that have not been upgraded with F942P3 Pressfit Upgrade Kit
	N/A	Triple Lip Seal	DC60, HC60 and SC60 models; Models through 3/31/08
	F8203806	Triple Lip Seal	HC50 and SC50 models that have been upgraded with F942P3 Pressfit Upgrade Kit; DC60, HC60 and SC60 models starting 4/1/08
5	F8337801	Retaining Ring	DC40, HC40 and SC40 models that have been upgraded with F938P3 Pressfit Upgrade Kit
	F8337901	Retaining Ring	DC60, HC60 and SC60 models that have been upgraded with F939P3 Pressfit Upgrade Kit
6	F100123P	Bearing	6309 2RS C3; DC40, HC40 and SC40 models; Front
	F100134	Bearing	6310 2RS C3; DC40, HC40 and SC40 models starting 10/15/07; Front
	F100122	Bearing	6312 2RS C3; HC50 and SC50 models; Front
	F100135	Bearing	6313 2RS C3; DC60, HC60 and SC60 models; Front
7	F100108	Bearing	DC40, HC40 and SC40 models; Rear
	F100137P	Bearing	6308 2RS C3; DC40, HC40 and SC40 models starting 10/15/07; Rear
	F100123P	Bearing	6309 2RS C3; HC50 and SC50 models; Rear
	F100134	Bearing	6310 2RS C3; DC60, HC60 and SC60 models; Rear

N/A = Part no longer available

Drain Plumbing



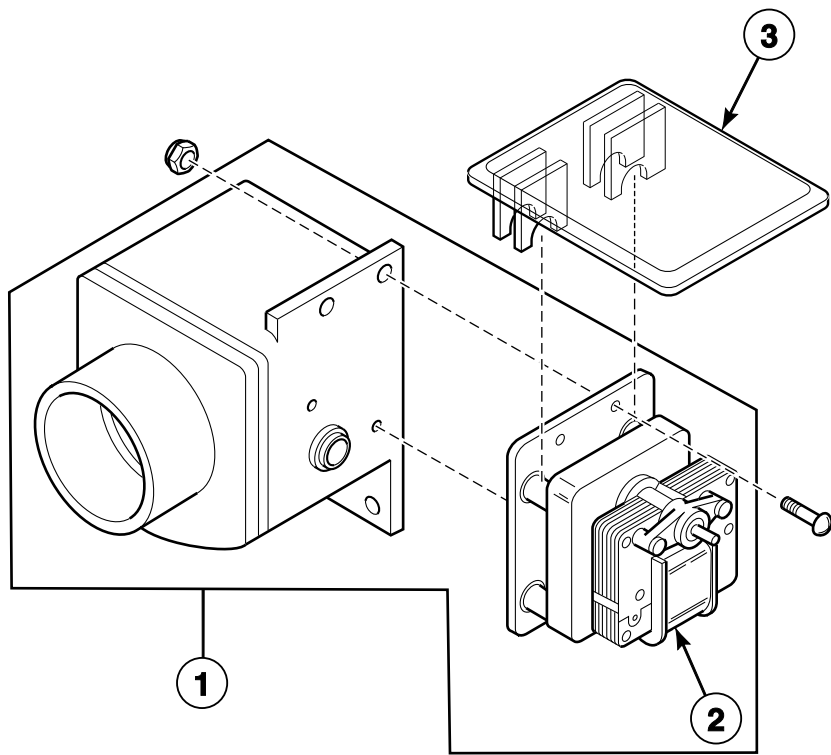
CHM2580P_F232191

Drain Plumbing

REF	PART NO.	DESCRIPTION	COMMENTS
1	F200215	Hose Clamp	No. 28; DC20, DC25, DC30, DC40, HC20, HC25, HC30, HC40, SC20, SC25, SC30 and SC40 models
	F200213	Hose Clamp	No. 40; DC60, HC50, HC60, SC50 and SC60 models
2	F200125800	Overflow Hose	DC20, DC25, HC20, HC25, SC20 and SC25 models
	F150332	Overflow Hose	DC30, HC30 and SC30 models
	F0200238-00	Overflow Hose	DC40, HC40 and SC40 models
	F150417	Overflow Hose	DC60, HC50, HC60, SC50 and SC60 models
3	F430103	Screw	
4	F430317	Washer	
5	F8017101	Drain Connector Tee	DC20, DC25, HC20, HC25, HC30, SC20, SC25 and SC30 models
	F150398	Drain Tee	DC40, DC60, HC40, HC50, HC60, SC40, SC50 and SC60 models
6	F200213	Hose Clamp	No. 40; DC20, DC25, DC30, DC40, HC20, HC25, HC30, HC40, SC20, SC25, SC30 and SC40 models
	N/A	Hose Clamp	No. 48; DC60, HC50, HC60, SC50 and SC60 models
7	F150312	Front Drain Hose	DC20, DC25, DC30, HC20, HC25, HC30, SC20, SC25 and SC30 models
	F0200240-00	Front Drain Hose	DC40, HC40 and SC40 models; Models through 1/25/05
	F200185200	Drain Hose	DC40, HC40 and SC40 models; Models starting 1/26/05
	F8035801	Front Drain Hose	DC60, HC50, HC60, SC50 and SC60 models
8	F150311	Rear Drain Hose	DC20, DC25, HC20, HC25, SC20 and SC25 models
	F0150331-00	Drain Hose	Rear; DC30, HC30 and SC30 models
	F200123400	Drain Hose	DC40, HC40 and SC40 models; Models through 1/25/05
	F200185300	Drain Hose	DC40, HC40 and SC40 models; Models starting 1/26/05
	F200123900	Front Drain Hose	DC60, HC50, HC60, SC50 and SC60 models
9	F430215	Nut	

N/A = Part no longer available

Drain Valve Assembly - DC20, DC25, DC30, HC20, HC25, HC30, SC20, SC25 and SC30 Models

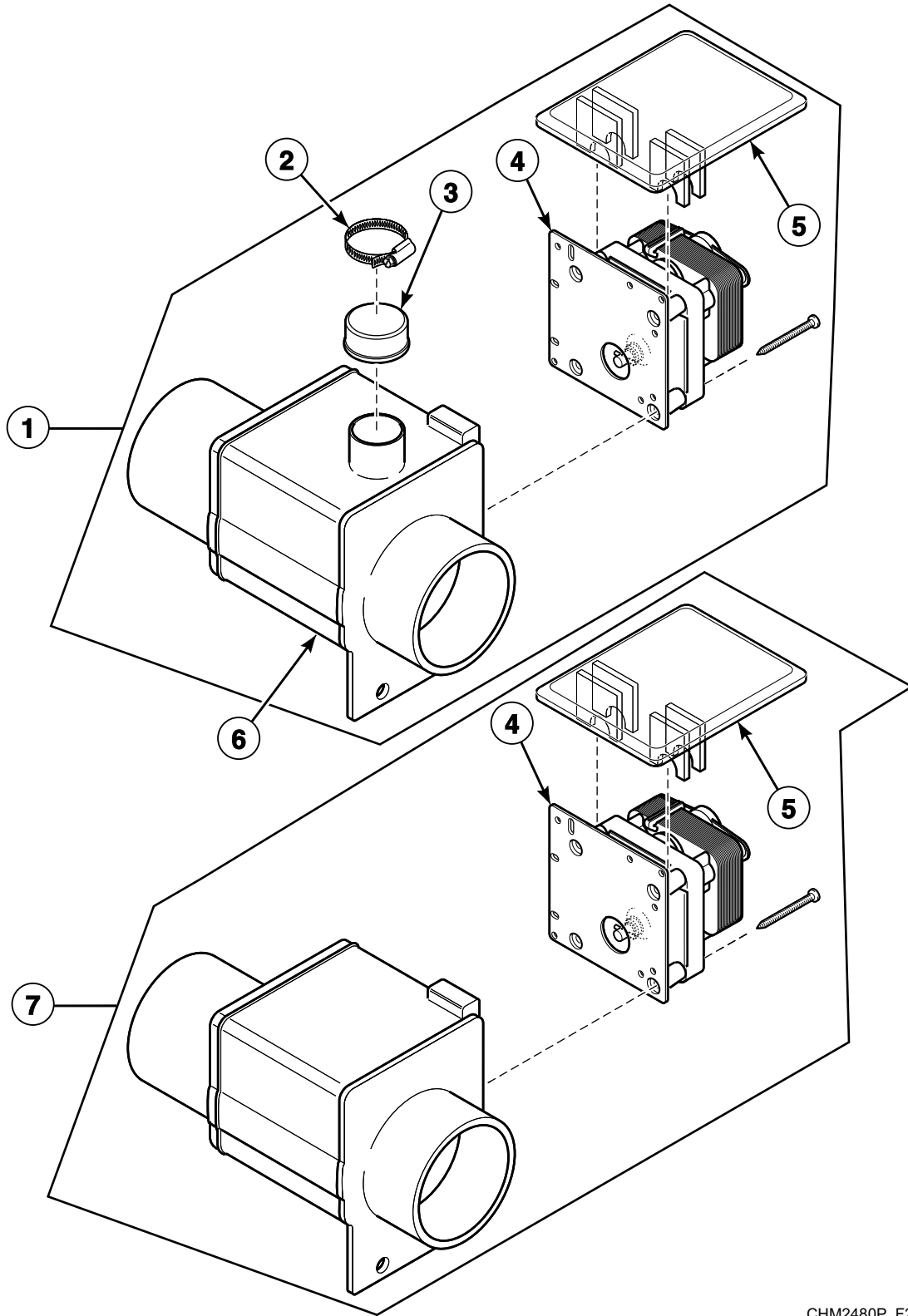


CHM2450P_F232191

Drain Valve Assembly - DC20, DC25, DC30, HC20, HC25, HC30, SC20, SC25 and SC30 Models

REF	PART NO.	DESCRIPTION	COMMENTS
	F602920	Drain Valve Assembly	120 Volt; Includes all items on the page, including the screw and nut
	F603175	Drain Valve Assembly	220 Volt; Includes F431147 Washer and all items on the page, including the screw and nut
	F8504601	Spring	
1	803293	Drain Valve	120 Volt; Includes item 2
	803292	Gravity Drain Valve	220 Volt; Includes item 2
2	F380932P	Drain Valve Motor	Round shaft; 120 Volt
	F380933P	Drain Valve Motor	Round shaft; 220 Volt
	F380943P	Drain Motor	Keyed shaft; 120 Volt
	G159764P	Drain Valve Motor and Gear Box Assembly	Keyed shaft; 220 Volt
	F380972P	Drain Valve Motor	Keyed shaft; 240 Volt
3	F200133600	Drain Valve Cover	

Drain Valve Assembly - DC40, DC60, HC40, HC50, HC60, SC40, SC50 and SC60 Models

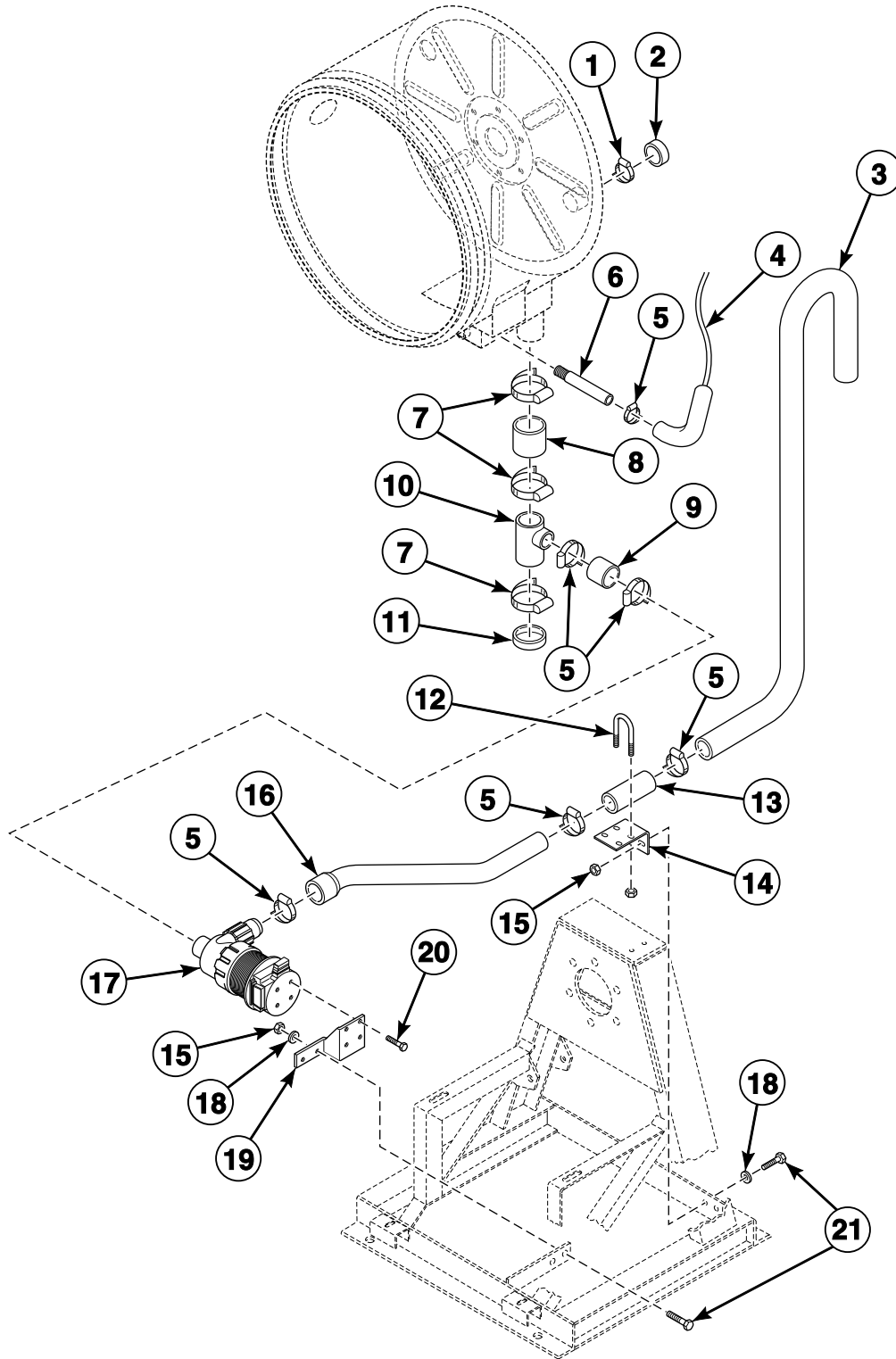


CHM2480P_F232191

Drain Valve Assembly - DC40, DC60, HC40, HC50, HC60, SC40, SC50 and SC60 Models

REF	PART NO.	DESCRIPTION	COMMENTS
	F8504701	Spring	Use with F038062800 Drain Valve
1	F200166300	Drain Valve Kit	120 Volt
	F200166400	Drain Valve Kit	220 Volt
2	F200215	Hose Clamp	No. 28
3	F150352	Overflow Plug	
4	F380932P	Drain Valve Motor	Round shaft; 120 Volt
	F380933P	Drain Valve Motor	Round shaft; 220 Volt
	F380943P	Drain Motor	Keyed shaft; 120 Volt
	G159764P	Drain Valve Motor and Gear Box Assembly	Keyed shaft; 220 Volt
	F380972P	Drain Valve Motor	Keyed shaft; 240 Volt
5	F200133600	Drain Valve Cover	
6	F038062800	Drain Valve	120 Volt; Includes screw
	F038062900	Drain Valve	220 Volt; Includes F431147 Washer and screw
7	F200166302	Drain Valve Kit	120 Volt; Includes F200185600 Drain Valve
	F200166402	Drain Valve Kit	220 Volt; Includes F200185700 Drain Valve

Pump Drain Option - HC30 and SC30 E-Voltage Models



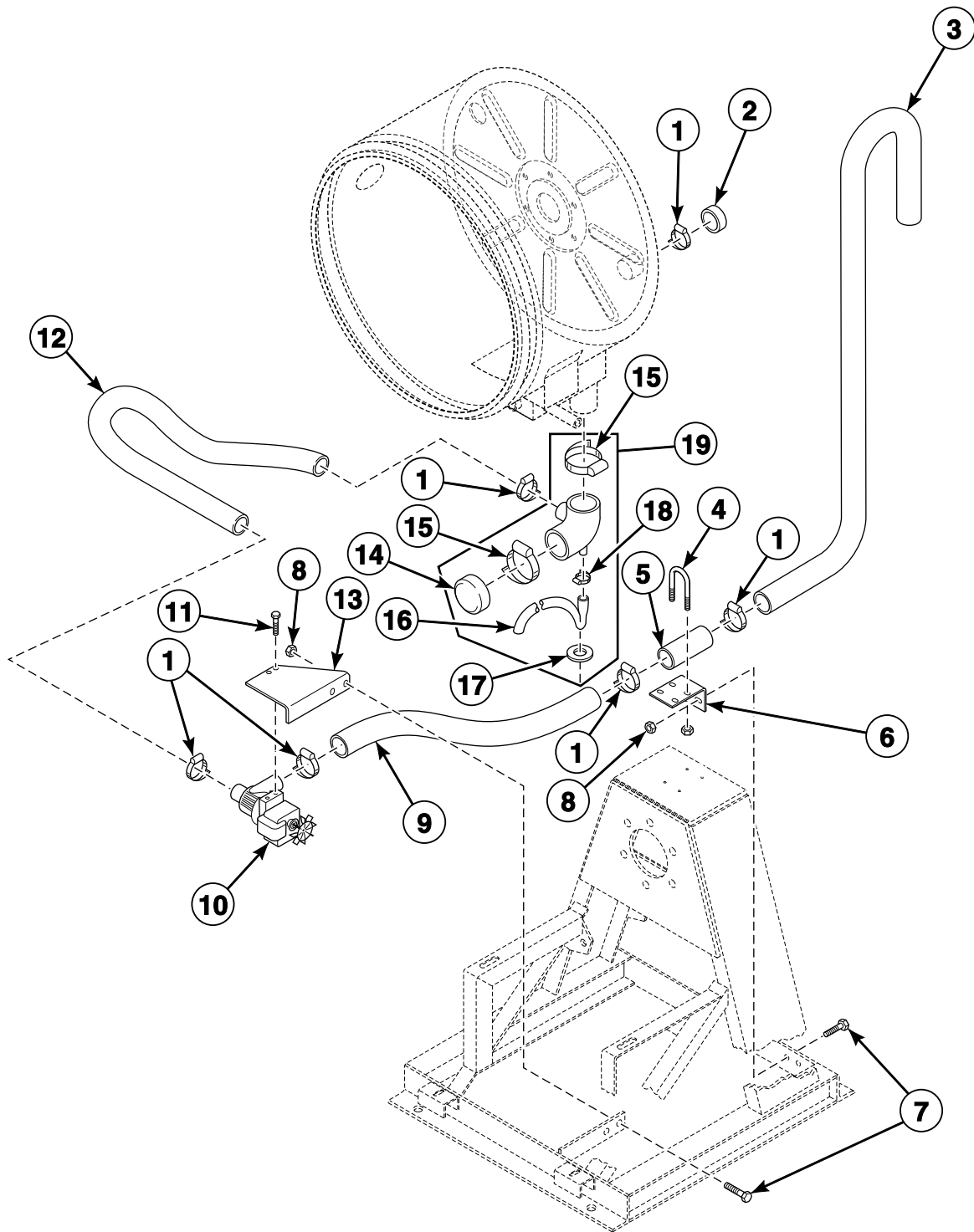
CHM2303P_F232191

Pump Drain Option - HC30 and SC30 E-Voltage Models

REF	PART NO.	DESCRIPTION	COMMENTS
1	F200215	Hose Clamp	No. 28
2	F150352	Overflow Plug	
3	F150343	Rear Pump Drain Hose	
4	F020014200	Air Trap Hose	
5	F200204	Hose Clamp	No. 20
6	F634178	Air Chamber Nipple	
7	F200213	Hose Clamp	No. 40
8	F150311	Rear Drain Hose	
9	F634177	Pump Inlet Hose	
10	F633819	Pump Drain Trap Weldment	
11	F150443	Plug	
12	F200401P	U-Bolt Clamp	Includes nuts
13	N/A	Pipe	
14	F604147	Pump Drain Rear Connecting Bracket	
15	F430215	Nut	
16	F150482	Pump Drain Outlet Hose	
17	F634463P	Pump	
18	F430317	Washer	
19	F634114	Pump Mounting Bracket	
20	F430179	Screw	
21	F430107	Screw	

N/A = Part no longer available

Pump Drain Option - All Models Except DC30, HC30 and SC30 E-Voltage Models



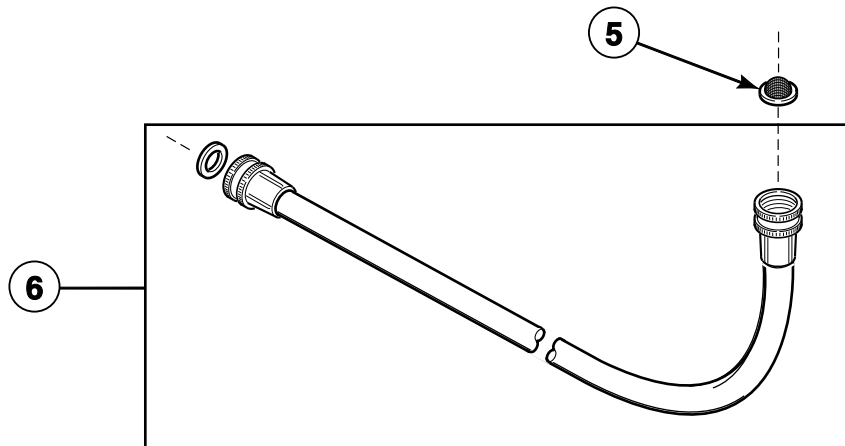
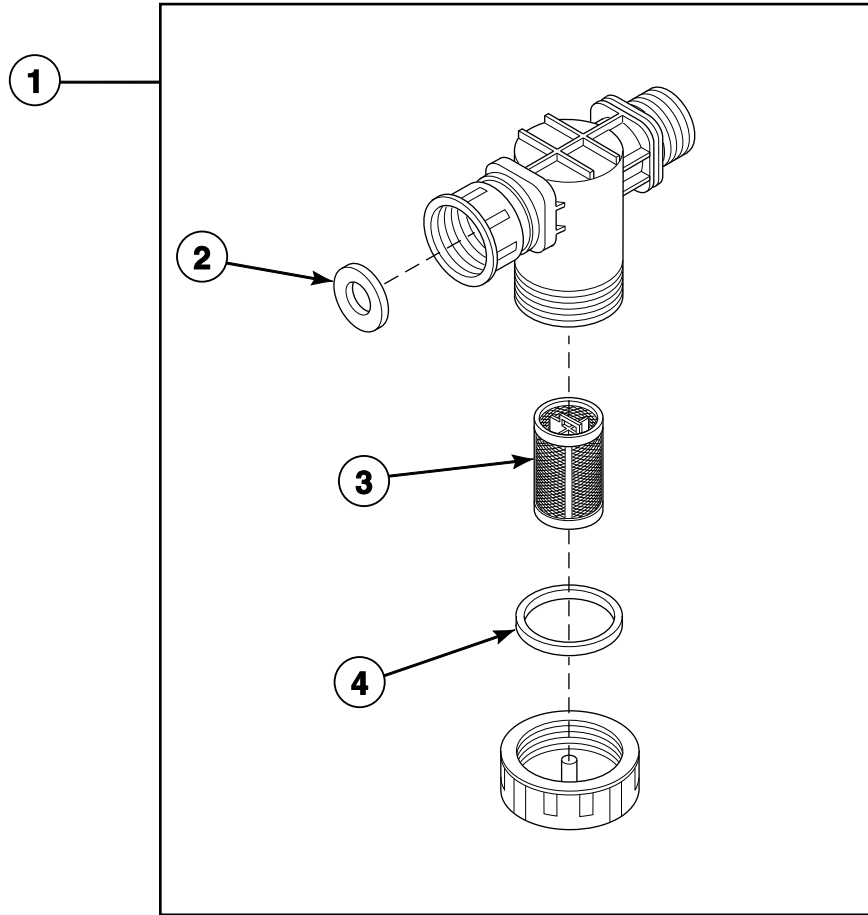
CHM3132P_F232191

Pump Drain Option - All Models Except DC30, HC30 and SC30 E-Voltage Models

REF	PART NO.	DESCRIPTION	COMMENTS
1	F200204	Hose Clamp	No. 20
2	F150352	Overflow Plug	
3	F150343	Rear Pump Drain Hose	
4	F200401P	U-Bolt Clamp	Includes nuts
5	F603827-1	Pipe	
6	F604147	Pump Drain Rear Connecting Bracket	
7	F430107	Screw	
8	F430215	Nut	
9	N/A	Hose	
10	F270119P	Drain Pump	120 Volt; DC20, HC20 and SC20 models; B-voltage
	F270104P	Pump	220 Volt/50 Hertz
	F200000900P	Pump	200-240 Volt/60 Hertz
11	F430519	Screw	
12	F609748-5	Hose	
13	F609694	Pump Drain Trap Mounting Bracket	
14	F150443	Plug	
15	F200213	Hose Clamp	No. 40
16	F606192-5	Tubing	
17	901690	Washer	
18	F200217	Hose Clamp	
19	F630326P	Pump Drain Trap Assembly	Includes items 14-18

N/A = Part no longer available

Filter (Optional) and Supply Hose

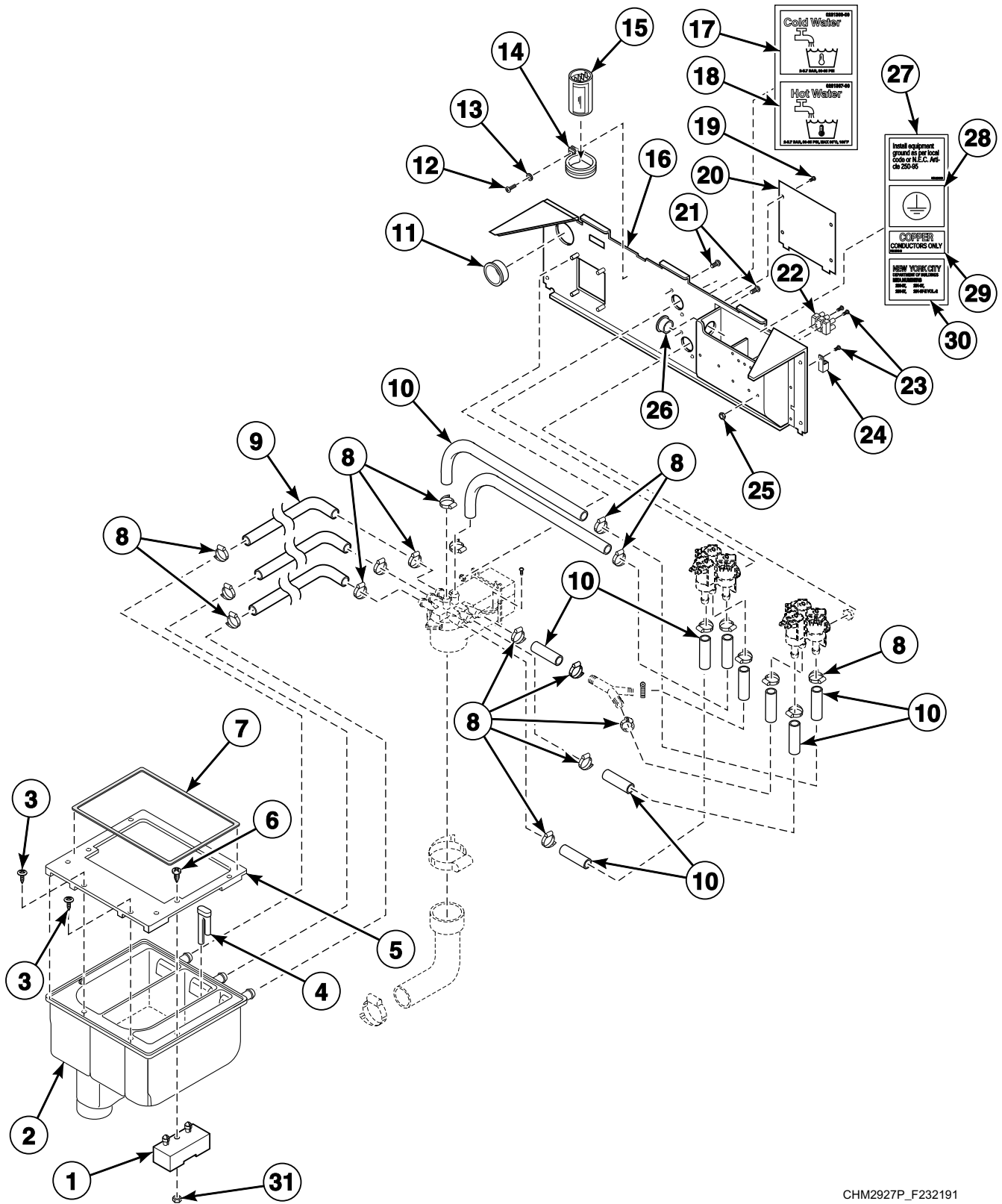


B091P_F232191

Filter (Optional) and Supply Hose

REF	PART NO.	DESCRIPTION	COMMENTS
1	F270306P	Filter	Standard thread
	F270305	Filter	Metric thread
2	20290	Washer	
3	F270406	Replacement Filter	.11 mm
	F270405	Replacement Filter	.25 mm
4	F270407	Filter Housing Cap Gasket	
5	803615	Washer	
6	F200116	Water Hose	3/8 inch; Standard thread
	F200164	Water Hose	3/4 inch; Standard thread
	F200165	Water Hose	1/2 inch; Metric thread
	F200166	Water Hose	3/4 inch; Metric thread

Fill Plumbing Assembly (Drawing 1 of 2)



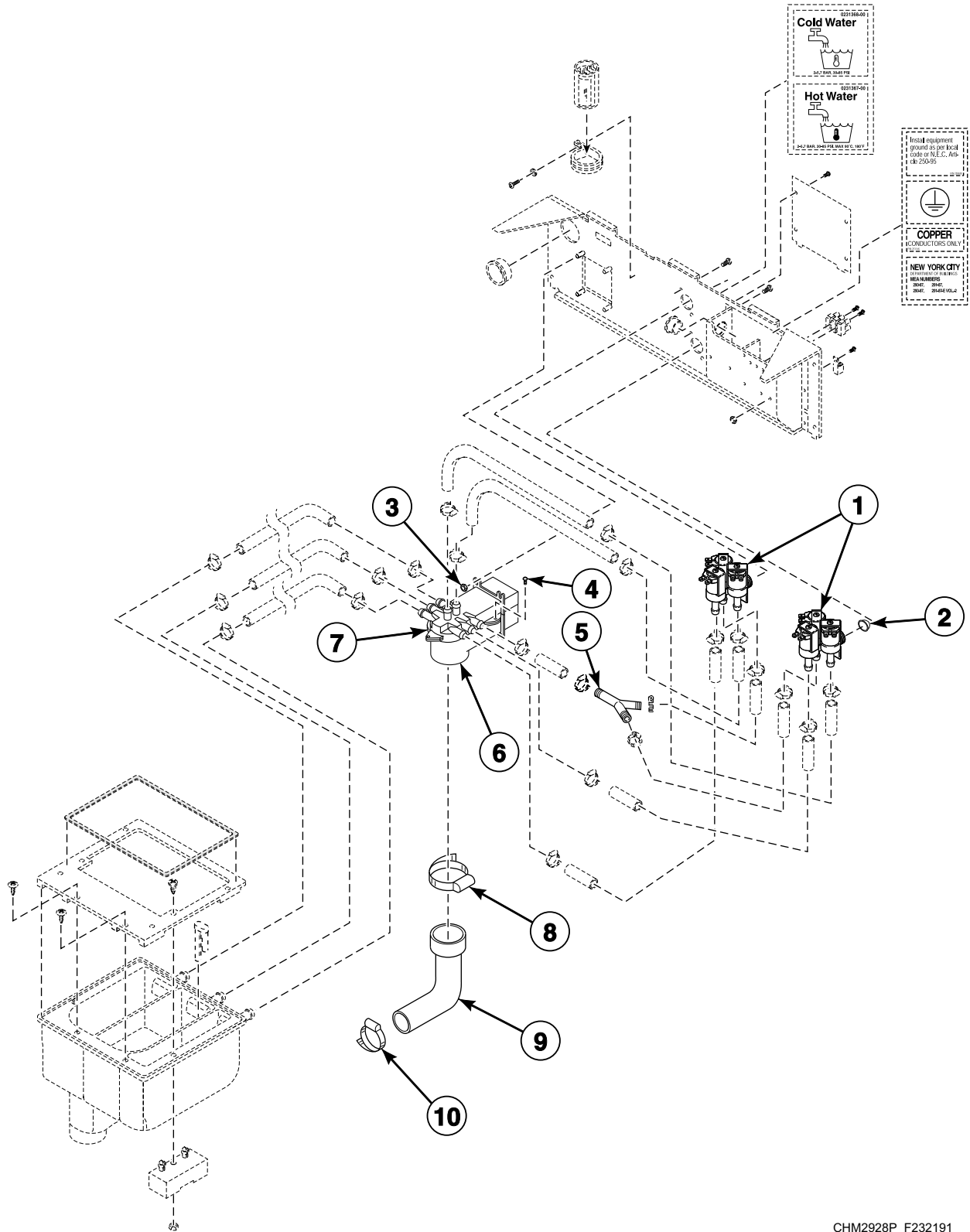
CHM2927P_F232191

Fill Plumbing Assembly (Drawing 1 of 2)

REF	PART NO.	DESCRIPTION	COMMENTS
1	F0150504-00	Supply Dispenser Standoff	
2	F200202201	Supply Dispenser Assembly	Includes items 1, 3-6 and 31
3	F430956	Screw	
4	F150390	Siphon Tube	
5	F0150503-00	Supply Dispenser Bezel	
6	F0430268-00	Screw	
7	F0170190-00P	Bezel Gasket	
8	36801	Hose Clamp	
9	F0200244-01	Vacuum Breaker Hose	DC20, DC25, DC30, HC20, HC25, HC30, SC20, SC25 and SC30 models
	F0200244-00	Vacuum Breaker Hose	DC40, DC60, HC40, HC50, HC60, SC40, SC50 and SC60 models
10	F200108P	Water Hose	Order 8 feet
11	F200139500	Grommet	
12	F430177	Screw	
13	F430311	Washer	
14	F0340722-00	Switch Clamp	
15	F340002	Motor Switch	
16	F0636138-00	Valve Panel Assembly	DC20, DC25, HC20, HC25, SC20 and SC25 models; Standard models
	F0636138-01	Valve Panel Assembly	DC20, DC25, HC20, HC25, SC20 and SC25 models; Models with heat
	F0636521-00	Valve Panel Assembly	DC30, HC30 and SC30 models; Standard models
	N/A	Valve Panel Assembly	DC30, HC30 and SC30 models; Models with heat
	F0636524-01	Valve Panel Assembly	DC40, HC40 and SC40 models; Standard models
	F0636524-03	Valve Panel Sub-Assembly	DC40, HC40 and SC40 models; Models with heat
	F0636297-00	Valve Panel Assembly	DC60, HC50, HC60, SC50 and SC60 models; Standard models
	F0636297-01	Valve Panel Assembly	DC60, HC50, HC60, SC50 and SC60 models; Models with heat
17	F231368	Cold Water Valve Decal	
18	F231367	Hot Water Valve Decal	
19	F430174	Screw	
20	F633260	Power Supply Cover	
21	F430948	Screw	
22	F140748	Input Power Block	2 terminal; Includes screws
	F140747	Input Power Block	3 terminal; Includes screws
	F140746	Input Power Block	4 terminal; Includes screws
23	F430903	Screw	
24	F140734	Ground Terminal Lug	
	F430232	Nut	
26	F170615	Grommet	Models through 6/29/05
	F140938	Snap Bushing	Models starting 6/30/05
27	F230630	Ground Decal	
28	F230739	Ground Decal	
29	F231146	Conductor Decal	Copper
30	N/A	Decal	New York MEA
31	F0431807-00	Nut	

N/A = Part no longer available

Fill Plumbing Assembly (Drawing 2 of 2)



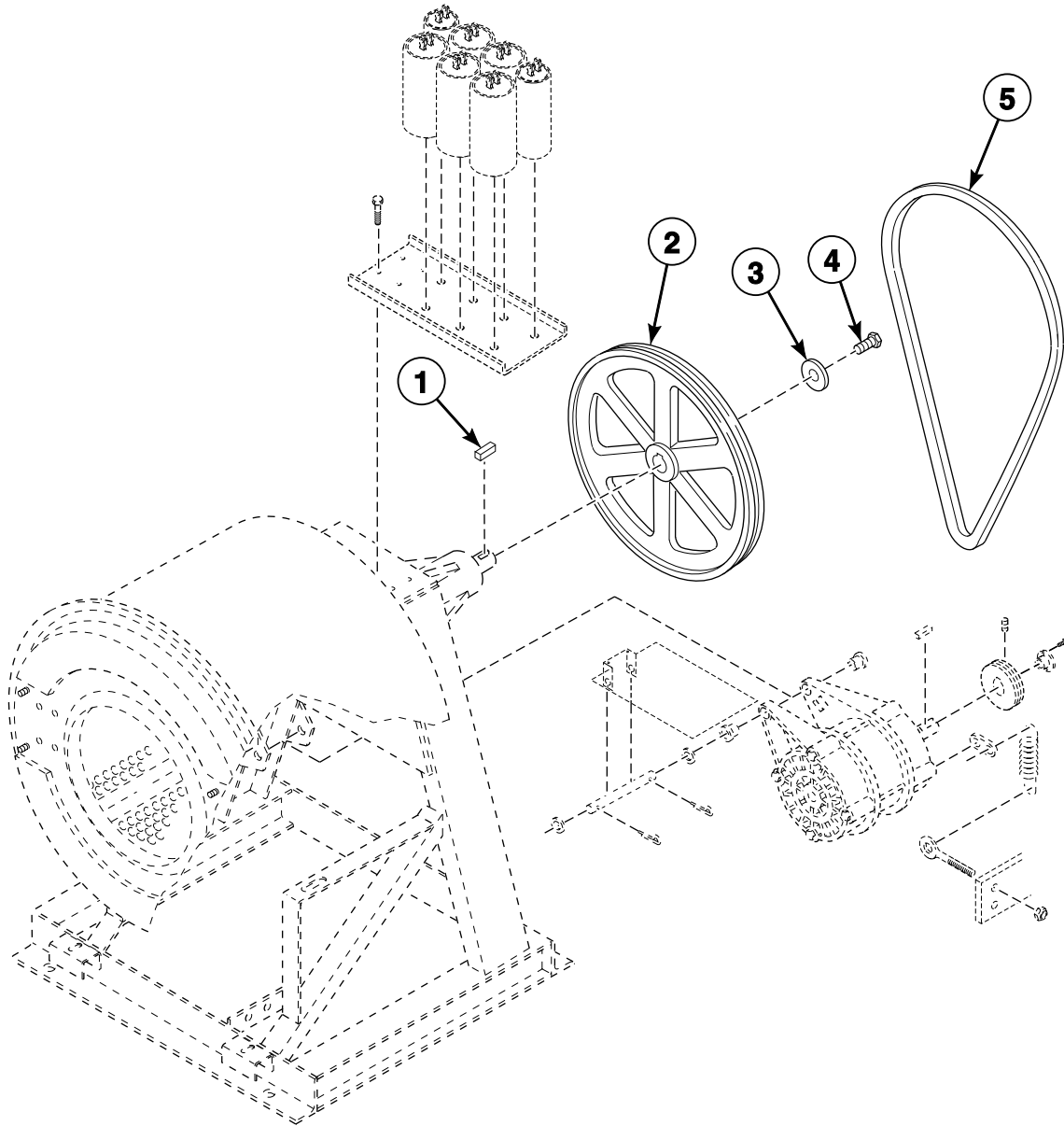
CHM2928P_F232191

Fill Plumbing Assembly (Drawing 2 of 2)

REF	PART NO.	DESCRIPTION	COMMENTS
	G582P3	Diaphragm and Guide Kit	Use with F0381767-00P 3-Way Valve and F0381768-00P 3-Way Valve
1	F0381767-00P	3-Way Valve	Standard thread; 24 Volt; Cold
	F0381768-00P	3-Way Valve	Standard thread; 24 Volt; Hot
	F0381771-00P	3-Way Valve	Metric thread; 24 Volt; Cold
	F0381772-00P	3-Way Valve	Metric thread; 24 Volt; Hot
2	F270200	Strainer	
3	F430231	Nut	
4	F430177	Screw	
5	F422808	Y Connector	
6	F015033000	Vacuum Breaker Bottom	
7	F0150329-00	Vacuum Breaker Top	
	F603031	Vacuum Breaker Assembly	Includes items 3 and 5
8	N/A	Hose Clamp	
9	F150340	Vacuum Breaker Hose	HC50 and SC50 models
	F0150340-01	Vacuum Breaker Fill Hose	DC60, HC60 and SC60 models
	F150321	Vacuum Breaker Hose	All other models
10	F200213	Hose Clamp	

N/A = Part no longer available

Pulley and Belt (Drawing 1 of 3)

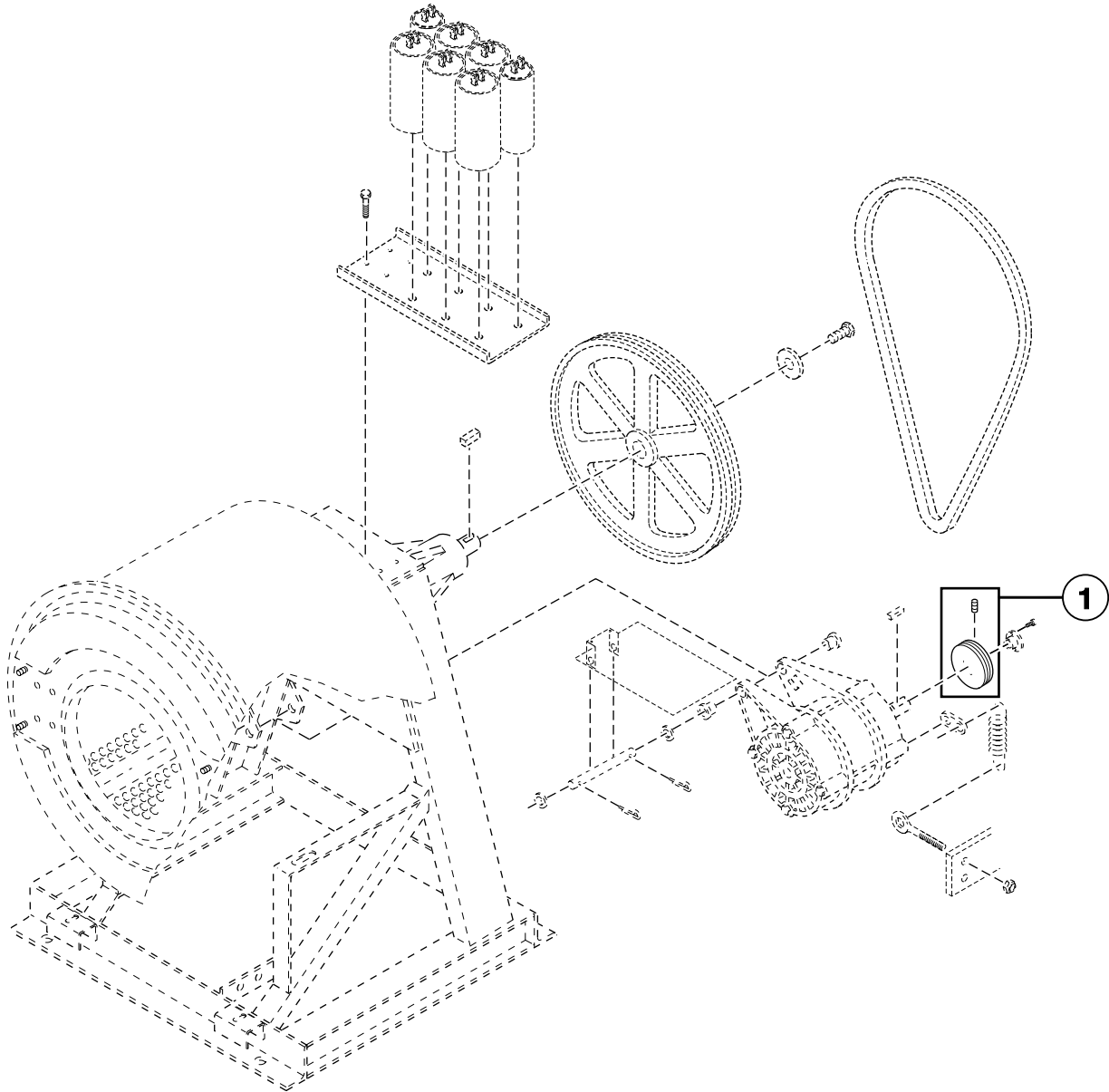


CHM2592P_F232191

Pulley and Belt (Drawing 1 of 3)

REF	PART NO.	DESCRIPTION	COMMENTS
1	F430801	Key	
2	F280168	Pulley	DC20, DC25, HC20, HC25, SC20 and SC25 models; 13V1800
	F280172	Sheave Pulley	DC30, HC30 and SC30 models; Drive; 13V2200
	F280197	Pulley	DC40, HC40 and SC40 models; 23V2200
	F280173	Pulley	DC60, HC50, HC60, SC50 and SC60 models, all voltages except for X-voltage; 23V2400
	F200299700	Basket Pulley	DC60, HC60 and SC60 X-voltage models
3	F0431159-00	Washer	DC20, DC25, HC20, HC25, SC20 and SC25 models
	F431115	Washer	DC30, DC40, DC60, HC30, HC40, HC50, HC60, SC30, SC40, SC50 and SC60 models
4	F430927	Screw	DC20, DC25, HC20, HC25, SC20 and SC25 models
	F430100	Screw	DC20, HC20 and SC20 models that have been upgraded with F935P3 Pressfit Upgrade Kit; DC30, DC40, DC60, HC30, HC40, HC50, HC60, SC30, SC40, SC50 and SC60 models
5	F280343	Belt	3V730; DC20, HC20 and SC20 50 Hertz/3 Phase C, D and J-voltage models; DC20, HC20 and SC20 60 Hertz/3 Phase F and H-voltage models; DC20, HC20 and SC20 E and F-voltage models with heat
	F280337	Belt	3V710; DC20, HC20 and SC20 60 Hertz B, F, H, L, O and Y-voltage models; DC25, HC25 and SC25 50 Hertz/3 Phase C, D, J and L-voltage models; DC25, HC25 and SC25 60 Hertz F, H, O, L and Y-voltage models
	F028038000P	Belt	3V720; DC20, HC20 and SC20 50 Hertz/1 Phase E-voltage models; DC25, HC25 and SC25 50 Hertz/1 Phase E-voltage models
	F280321	Belt	3V800; DC30, HC30 and SC30 C, D, E, F, H, J, O and Y-voltage models
	F280341	Belt	3V850; DC40, HC40 and SC40 models; C, D, E, F, H and J-voltage; O and Y-voltage with heat
	F280342	Belt	3V830; DC40, HC40 and SC40 O and Y-voltage models
	F280373	Belt	3V90.65; HC50 and SC50 50 Hertz C, D and J-voltage models
	F280304	Belt	3V900; DC60, HC50 and SC50 60 Hertz F, H, O and Y-voltage models; HC60 and SC60 models, all voltages except for X-voltage
	F280366P	Belt	DC60, HC60 and SC60 X-voltage models

Pulley and Belt (Drawing 2 of 3)

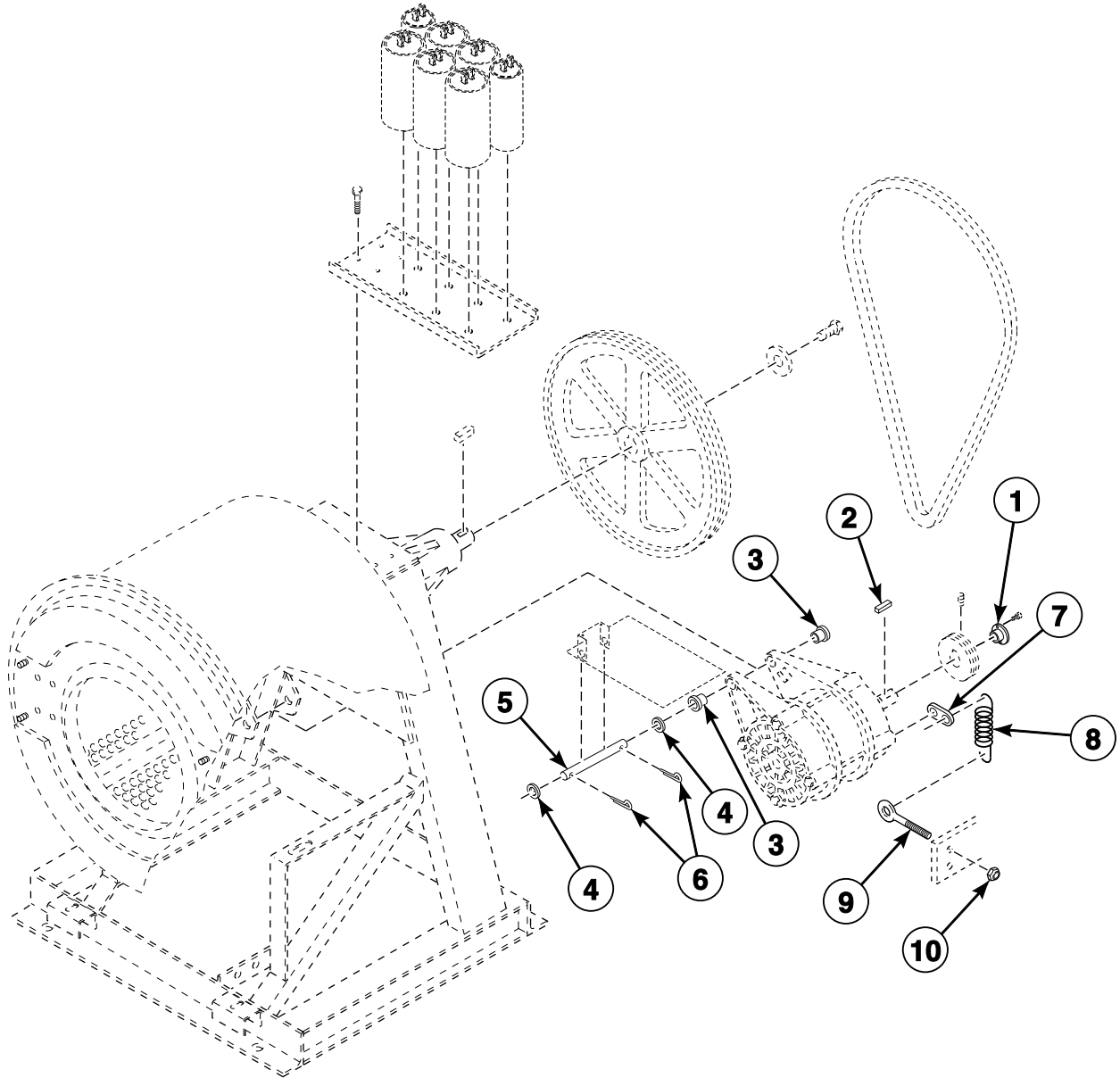


CHM2593P_F232191

Pulley and Belt (Drawing 2 of 3)

REF	PART NO.	DESCRIPTION	COMMENTS
1	F280427P	Pulley	1GR3V3.15JA; Requires JA bushing; DC20, HC20 and SC20 50 Hertz C, D, E and J-voltage models; DC25, HC25 and SC25 50 Hertz C, D, E and J-voltage models
	F280170	Sheave Pulley	1GR3V2.65; DC20, HC20 and SC20 60 Hertz B, F, H, O and Y-voltage models; DC25, HC25 and SC25 60 Hertz/3 Phase F, H and O-voltage models
	F280416	Pulley	1GR3V2.65JA; Requires JA bushing; DC25, HC25 and SC25 60 Hertz/1 Phase Y-voltage models
	H87520334	Sheave	1GR3V3.35JA; Requires JA bushing; DC30, HC30 and SC30 50 Hertz/3 Phase C, D and J-voltage models
	F280423	Pulley	1GR3V3.60SH; Requires SH bushing; DC30, HC30 and SC30 50 Hertz/1 Phase E-voltage models
	F280284	Pulley	1GR3V2.9; DC30, HC30 and SC30 60 Hertz/3 Phase F, H and O-voltage models
	F280281	Motor Pulley	1GR3V3.0; DC30, HC30 and SC30 60 Hertz/1 Phase Y-voltage models
	F280105P	Pulley	2GR3V3.35SH; Requires SH bushing; DC40, HC40 and SC40 50 Hertz C, D and J-voltage models
	F0280385-00	Sheave	2GR3V3.00; DC40, HC40 and SC40 60 Hertz F, H, O and Y-voltage models
	F280422P	Pulley	2GR3V3.365SH; Requires SH bushing; HC50, SC50 and DC60 50 Hertz C, D and J-voltage models
	F0280385-00	Sheave	2GR3V3.10; HC50 and SC50 60 Hertz F, H, O and Y-voltage models; DC60, HC60 and SC60 models, all voltages except for X-voltage
	F280287P	Sheave Kit	DC60, HC60 and SC60 X-voltage models

Pulley and Belt (Drawing 3 of 3)

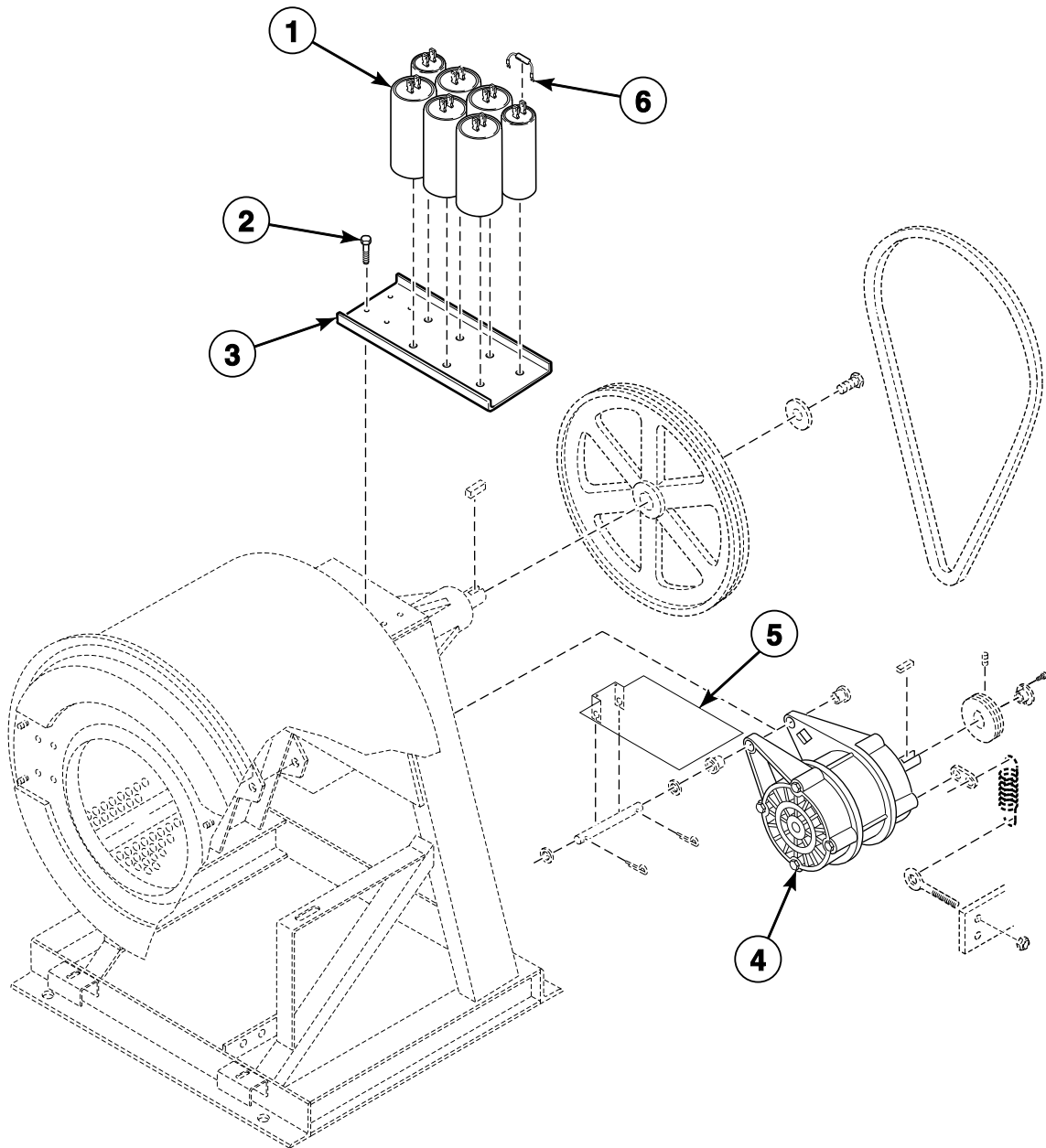


CHM2594P_F232191

Pulley and Belt (Drawing 3 of 3)

REF	PART NO.	DESCRIPTION	COMMENTS
1	H87529111P	Bushing	JA 5/8; DC20, HC20 and SC20 50 Hertz/3 Phase C, D and J-voltage models; DC25, HC25 and SC25 50 Hertz/3 Phase C, D and J-voltage models; DC30, HC30 and SC30 50 Hertz/3 Phase C, D and J-voltage models
	F280298P	Pulley Bushing	JA 7/8; DC20, HC20 and SC20 50 Hertz/1 Phase E-voltage models; DC25, HC25 and SC25 50 Hertz/1 Phase E-voltage models; DC25, HC25 and SC25 60 Hertz/1 Phase Y-voltage models; DC60, HC60 and SC60 models
	F280225P	Bushing	SH 7/8; DC30, HC30 and SC30 50 Hertz/1 Phase E-voltage models; DC40, HC40 and SC40 50 Hertz C, D and J-voltage models; HC50 and SC50 50 Hertz C, D and J-voltage models
2	F430802	Key	
3	F200186100	Motor Support Bushing	
4	901690	Washer	
5	F602844	Motor Support Rod	DC20, DC25, DC30, HC20, HC25, HC30, SC20, SC25 and SC30 models
	F603059	Motor Support Rod	DC25, HC25, SC25, DC40, HC40 and SC40 models
	F603897	Motor Support Rod	DC60, HC50, HC60, SC50 and SC60 models
6	F430401	Cotter Pin	
7	F601515	Clip	
8	F310124	Extension Spring	2 speed models
	F310148	Tension Spring	F speed models
9	F430537	Screw	F speed models
10	F430218	Nut	

Motor and Capacitors



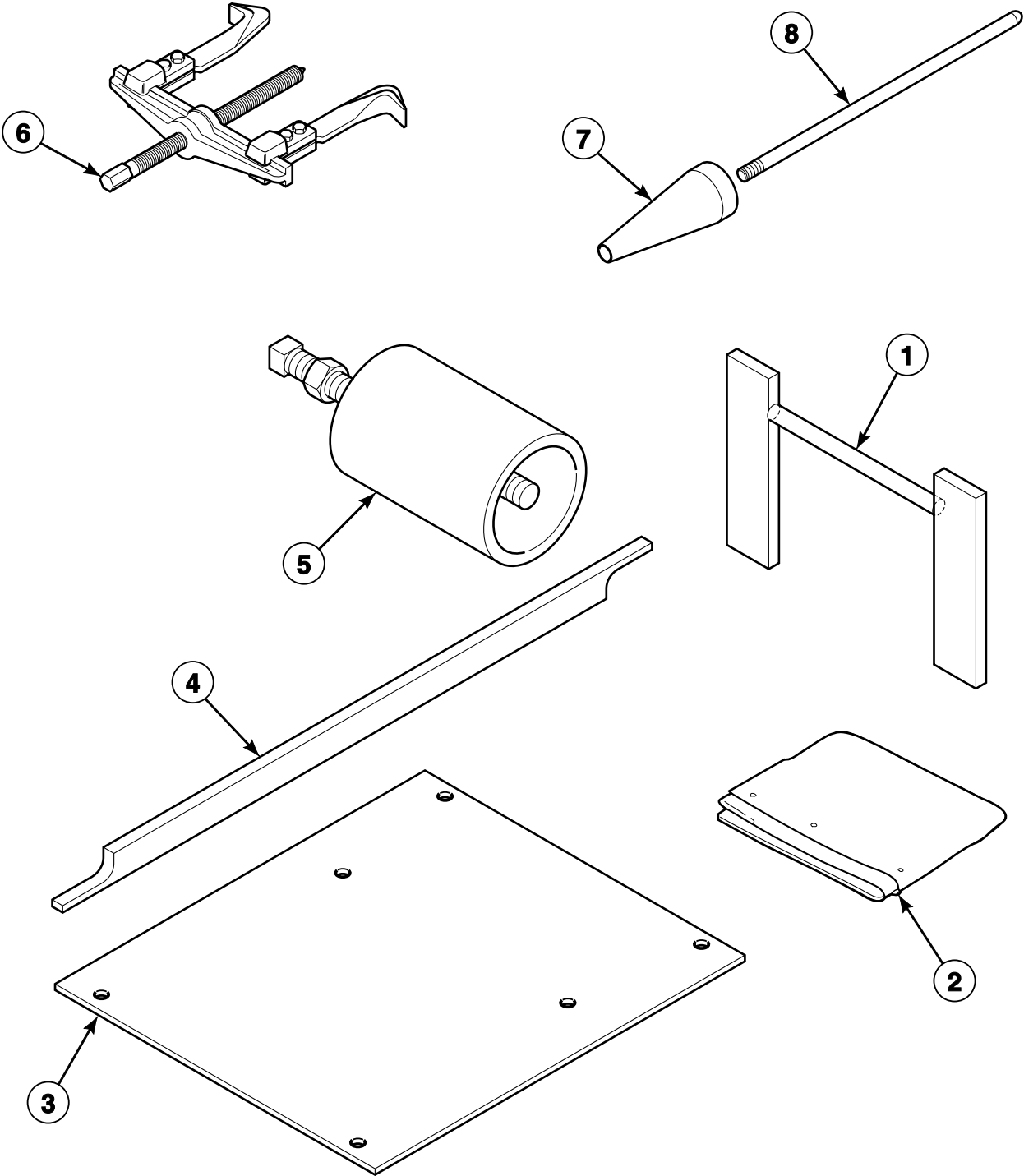
CHM2884P_F232191

Motor and Capacitors

REF	PART NO.	DESCRIPTION	COMMENTS
1	F370230	Capacitor	10 Microfarad; DC20, HC20 and SC20 L-voltage models with Elmo motors use 1; DC20, DC25, HC20, HC25, SC20 and SC25 E-voltage models with Elmo motors use 2; DC40, HC40 and SC40 L-voltage models with Century motors use 1
	F370224P	Capacitor	20 Microfarad; DC20, DC25, HC20, HC25, SC20 and SC25 E-voltage models with Elmo motors use 3; DC25, DC30, HC25, HC30, SC25 and SC30 L-voltage models with Elmo motors use 4; DC40, HC40 and SC40 L-voltage models with Elmo motors use 1; HC50 and SC50 L-voltage models with Elmo motors use 2
	F8411801	Capacitor	25 Microfarad; DC20, HC20 and SC20 L-voltage models with Elmo motors use 1
	F8411901	Capacitor	50 Microfarad; DC20, DC40, HC20, HC40, SC20 and SC40 L-voltage models with Elmo motors use 1; DC40, HC40 and SC40 L-voltage models with Century motors use 1; HC50 and SC50 L-voltage models with Elmo motors use 2
	F370221	Capacitor	100 Microfarad; DC20, HC20 and SC20 B-voltage models with Elmo motors use 2; DC20, DC25, HC20, HC25, SC20 and SC25 E-voltage models with Elmo motors use 2
	F370220	Capacitor	130 Microfarad; DC20, HC20 and SC20 B-voltage models with Elmo motors use 2; DC25, DC30, HC25, HC30, SC25 and SC30 L-voltage models with Elmo motors use 1; DC40, HC40 and SC40 L-voltage models with Century motors use 1; HC50 and SC50 L-voltage models with Elmo motors use 3
	F370218P	Capacitor	160 Microfarad; DC40, HC40 and SC40 L-voltage models with Elmo motors use 2; DC40, HC40 and SC40 L-voltage models with Century motors use 1
	2	F430108	Screw
3	F200033500	Capacitor	
		Mounting Bracket	
4	F8411601	Motor Conversion Kit	Replaces F220110P Motor; DC20, HC20 and SC20 B-voltage models; Includes F200186100 Motor Support Bushing
	F022012800P	Motor	Use with F220128-H Motor; DC20, HC20 and SC20 Y-voltage models; Includes F200186100 Motor Support Bushing
	F8329401P	Motor	Replaces F22032500P and F220325-H Motor; DC20, HC20 and SC20 C and F-voltage models; Includes F200186100 Motor Support Bushing
	F8329301P	Motor	Replaces F022039600P and F220396-H Motors; DC20, HC20 and SC20 J, K and O-voltage models; Includes motor support bushing
	F8329801P	Motor	Replaces F022038800P and F220388-H Motors; DC25, DC30, HC25, HC30, SC25 and SC30 C and F-voltage models; Includes motor support bushing
	F8329701P	Motor	Replaces F022038700P and F220387-H Motors; DC25, DC30, HC25, HC30, SC25 and SC30 J, K and O-voltage models; Includes motor support bushing
	F8329901P	Motor	Replaces F022012400P and F220124-H Motors; DC25, DC30, HC25, HC30, SC25 and SC30 Y-voltage models; Includes motor support bushing
	F0798912-03	Motor Retrofit Kit	DC40, HC40 and SC40 Y-voltage models; Non-network models
	F0798912-04	Motor Retrofit Kit	DC40, HC40 and SC40 Y-voltage models; Network models
	F8330001P	Motor	Replaces F0220321-00P Motor; DC40, HC40 and SC40 O-voltage models; Includes motor support bushing
	F8330101P	Motor	Replaces F022032600P and F220326-H Motors; DC40, HC40 and SC40 C and F-voltage models; Includes motor support bushing
	F8330301P	Motor	Replaces F022032200P Motor; DC60, HC50, HC60, SC50 and SC60 J and O-voltage models; Includes motor support bushing
	F8330201P	Motor	Replaces F0220120-01P Motor; DC60, HC50, HC60, SC50 and SC60 Y-voltage models; Includes motor support bushing
	F8329201	Motor	DC60, HC60 and SC60 X-voltage models; Models that have been converted with F8329201P Motor Conversion Kit; Includes motor support bushing; **
5	F8329201P	Motor Conversion Kit	DC60, HC60 and SC60 X-voltage models
	F200216900	Motor Drip Shield	DC20, DC25, DC30, HC20, HC25, HC30, SC20, SC25 and SC30 models; DC40, HC40 and SC40 all voltages except for Y-voltage models; DC60, HC60 and SC60 F speed models
	F200280700	Motor Drip Shield	DC40, HC40 and SC40 Y-voltage models; DC60, HC60 and SC60 2 speed models
6	F8011001	Resistor Assembly	12K/5W

**** NOTE: AC drive parameter must be compatible with the motor and motor pulley. Please request the AC drive parameter illustration for parameter verification when ordering a motor.**

Special Tools



CHM2970P_F232191

Special Tools

REF	PART NO.	DESCRIPTION	COMMENTS
	389P4	Basket Tool Kit	Purchase; Requires item 6
	390P4	Basket Rental Tool Kit	Requires item 6
1	F460131	Basket Pulley Puller Tool	
2	F450127	Template	HC50 and SC50 models
	F450246	Template	DC25, HC25 and SC25 models
3	F608707	Bolt Layout Mounting Template	DC20, HC20 and SC20 models
	F608708	Bolt Layout Mounting Template	DC25, HC25 and SC25 models
	F631796	Bolt Layout Mounting Template	DC30, HC30 and SC30 models
	F0637047-00	Bolt Layout Mounting Template	DC40, HC40 and SC40 models
	F608710	Bolt Layout Mounting Template	DC60, HC50, HC60, SC50 and SC60 models
4	N/A	Basket Pulley Alignment Bar	HC50 and SC50 models
5	F798001	Basket Pulley Kit	DC20, DC25, HC20, HC25, SC20 and SC25 models
	F798002	Basket Puller Kit	DC40, HC40 and SC40 models
	F798003	Basket Puller Kit	DC60, HC50, HC60, SC50 and SC60 models
6	F460129P	Bearing Puller Tool	
7	396P4	Cone	DC20, HC20 and SC20 models
	397P4	Cone	DC30, HC30, SC30, DC40, HC40 and SC40 models
	398P4	Cone	DC60, HC60 and SC60 models
8	401P4	Basket Installation Tool Rod	

N/A = Part no longer available

Parts Index

A

AC Drive Radio Filter Assembly	
F200320900	15
AC Drive Resistor Assembly	
F8079901P	15
F8080001P	15
Air Chamber Nipple	
F634178	55
Air Trap Hose	
F020014200	13, 55

B

Basket Assembly	
F603900-1	41
F8123601P	41
F8347801P	41
F8347901P	41
F8391701	41
F8391901	41
F8438401	41
Basket Installation Tool Rod	
401P4	73
Basket Puller Kit	
F798002	73
F798003	73
Basket Pulley	
F200299700	65
Basket Pulley Kit	
F798001	73
Basket Pulley Puller Tool	
F460131	73
Basket Rental Tool Kit	
390P4	41, 73
Basket Tool Kit	
389P4	41, 73
Bearing	
F100108	45, 47
F100122	47
F100123P	45, 47
F100134	47
F100135	47
F100136P	45
F100137P	45, 47
Bearing Kit	
RB100001	45
RB100002	45
RB100003	47
RB100004	47
RB100005	47
RB100006	47
Bearing Puller Tool	
F460129P	73
Belt	
F028038000P	65
F280304	65
F280321	65
F280337	65
F280341	65

F280342	65
F280343	65
F280366P	65
F280373	65
Bezel Gasket	
F0170190-00P	61
Blind Rivet	
F8245101	37
J1111905	31, 37
Bolt	
F430969	35
Bolt Layout Mounting Template	
F0637047-00	73
F608707	73
F608708	73
F608710	73
F631796	73
Bushing	
F280225P	69
H87529111P	69

C

Cabinet Brace	
F063218-00	31
F0636131-00	31
F0636217-00	27
F0636320-00	31
F0636518-00	31
F0636596-00	31
F0637632-00	31
F634800	27
F634801	27
F634803P	27
Cabinet Corner Stiffener	
F200168900	27
Capacitor	
F370218P	71
F370220	71
F370221	71
F370224P	71
F370230	71
F8411801	71
F8411901	71
Capacitor Mounting Bracket	
F200033500	71
Card Reader and Bracket Assembly	
510068P	25
Card Reader Assembly	
F200019900	25
F200019901	25
Card Reader Harness	
F141887	25
F141889	25
Clamp Ring Assembly	
F8388002	41
Clip	
F601515	69
Coin Drop	
200731	21
38963P	19

N/A items do not appear in index.

39748	19
70256402P	21
70441601P	19
Coin Drop Assembly	
201141	19
210195	21
210196	21
38462P	19
38463	19
38464P	19
38467	21
38472	21
38475	19
38480	19
38519	21
38521	21
39157	21
70281102	21
70283102	21
70441602	21
Coin Drop Kit	
CK077	21
Coin Guide Assembly	
F200002504P	19
Coin Guide Kit	
F200002505	21, 23
Coin Identification Paper	
38725	19, 23
Coin Meter	
F0160737-00	21
Coin Meter Assembly	
F200010000P	19
F200010001	21
F200010002	21
F200010003	21
F200010004	21
F200010005	21
F200010006	19
F200010007	19
F200010008	21
F200010009	19
F200010010	21
F200010011	19
F200010012	19
F200021600P	23
F200021601	23
F200021602	23
F200021603	23
F200021604	23
F200021605	23
F8238601	23
Cold Water Valve Decal	
F231368	61
Communication Board	
210095P	17
Communication Connector	
210099	17
Conductor Decal	
F231146	9, 61
Cone	
396P4	73
397P4	73
398P4	73
Contactactor	
F330176P	11

Control Box Assembly	
F0636969-00	13
Control Decal	
F0231527-02	29
F231525-1	29
F231525-2	29
F231527-1	29
F231528-1	29
F231528-2	29
Control Panel Assembly	
F0636582-02	27
F0636955-00	27
F0636964-00	27
F0636966-00	27
Control Panel Decal	
F0231441-00	29
F0231464-00	29
F0231566-12	29
F0231568-42	29
F0231579-22	29
F0231586-32	29
F0231611-31	29
F0231611-32	29
F0231611-33	29
F0231611-34	29
F200015000	29
F200018041	29
F200018042	29
Cotter Pin	
F430401	69
Counterclockwise Spin Rotation Decal	
F230693	9, 35

D

Diaphragm and Guide Kit	
G582P3	63
Disconnect Power Warning Label	
505281	9
Do Not Lift Decal	
F230216	9
Door	
F602837-1	35
F602842-2	35
Door Assembly	
F060390106	35
F603239-3	35
F604079-2	35
F8150301	35
F8150401	35
F8150501	35
Door Bezel	
F0170426-00	27
F0170426-10	27
F170416-1	27
F170416-2	27
F170417-1	27
F170417-2	27
Door Gasket	
F017012302	37
F017012402	37
F170123	37
F170124	37
F200000200	37
F200000202	37

N/A items do not appear in index.

Door Glass	
F8485401P	37
Door Glass Kit	
F290205P	37
F8485301	37
Door Handle	
F150225	35
Door Handle Kit	
F730155	35
Door Hinge	
F190216P	37
Door Hinge Shim Kit	
F200131000P	37
Door Lock Assembly	
F0636698-01P	39
F0636698-03	39
Door Lock Assembly Cover	
F603003	39
Door Lock Catch Casting	
F150261	39
Door Lock Control CCA	
F370432P	11, 15
Door Lock Microswitch	
F200203200	39
Door Lock Pin Linkage	
F150455	39
Door Lock Pin Release Spring	
F310137	39
Door Lock Plate Assembly	
F8066701	39
Door Lock Plate Shim	
F8059701	39
Door Lock Splash Shield	
F320200	39
Door Lock Spring	
F310125	35
Door Lock Switch Lever	
F0636636-00	39
Door Lock Torsion Spring	
F310110	39
Door Lock Wire Harness	
F0631986-02	39
Door Locking Linkage Pin	
F431231	39
Door Mount	
F150271	37
Door Spacer	
F0150273-00	35
Door Switch	
F340200	39
Door Warning Label	
81968	9
Drain Connector Tee	
F8017101	49
Drain Hose	
F0150331-00	49
F200123400	49
F200185200	49
F200185300	49
Drain Motor	
F380943P	51, 53
Drain Pump	
F270119P	57

Drain Tee	
F150398	49
Drain Valve	
F038062800	53
F038062900	53
803293	51
Drain Valve Assembly	
F602920	51
F603175	51
Drain Valve Cover	
F200133600	51, 53
Drain Valve Kit	
F200166300	53
F200166302	53
F200166400	53
F200166402	53
Drain Valve Motor	
F380932P	51, 53
F380933P	51, 53
F380972P	51, 53
Drain Valve Motor and Gear Box Assembly	
G159764P	51, 53

E

Electronic Coin Drop Assembly	
70294103P	23
70294104	23
70294105P	23
70294106	23
70294107	23
70294109	23
70294111	23
Electronic Coin Drop Kit	
CK099	23
CK100	23
CK101	23
CK103	23
CK106	23
CK109	23
CK110	23
CK113	23
CK115	23
CK500	23
E-Ring Retainer	
F310205	39
Excluder Seal	
F8336801	41
F8336901	41
F8337001	41
F8337101	41
Extension Spring	
F310124	69

F

Filter	
F270305	59
F270306P	59
Filter Housing Cap Gasket	
F270407	59
Frame Assembly	
F0637645-00	43

N/A items do not appear in index.

F0637645-01.....	43
F606178.....	43
F607003.....	43
F607005.....	43
F630232.....	43
Frame Weldment	
F0636108-00.....	43
F200195300.....	43
Front Drain Hose	
F0200240-00.....	49
F150312.....	49
F200123900.....	49
F8035801.....	49
Front Panel	
F634666-2.....	27
F634666-5.....	27
F634682-2.....	27
F634682-5.....	27
F634836-1P.....	27
F634836-2.....	27
F634837-1.....	27
F634837-2.....	27
F634837-5.....	27
F8200301P.....	27
F8200302P.....	27
F8200401P.....	27
F8200402P.....	27
F8200501P.....	27
F8200502P.....	27
F8200601P.....	27
F8200602P.....	27
Fuse	
F350110.....	11, 15
F350115.....	11, 15
F350141.....	11
F350142.....	11, 15
F350145.....	11, 15
F350146.....	11, 15
Fuse Decal	
F231350.....	11
F231351.....	11
F231352.....	11
F231354.....	11
F231355.....	11
F231356.....	11
Fuse Holder	
F0350312-10.....	11, 15

G

Gravity Drain Valve	
803292.....	51
Grommet	
F170607.....	17
F170615.....	61
F200139500.....	61
Ground Decal	
F230630.....	9, 61
F230739.....	9, 61
Ground Terminal Lug	
F140734.....	61

H

Harness	
F0637798-00.....	23
F631973-2.....	25
Harness Assembly	
F141893.....	13, 17
Hose	
F609748-5.....	57
Hose Clamp	
F200204.....	55, 57
F200213.....	43, 49, 55, 57, 63
F200215.....	49, 53, 55
F200217.....	57
36801.....	13, 61
Hot Water Valve Decal	
F231367.....	61

I

Input Power Block	
F140746.....	61
F140747.....	61
F140748.....	61
Insulator Bushing	
F140909.....	15
Interlock Contactor	
F330186P.....	11
Inverter Drive	
F370843.....	15

K

Key	
F430801.....	65
F430802.....	69
70155603.....	31

L

L-Catch Kit	
F746808.....	39
Left Side Panel	
F0636136-00P.....	33
F0636595-00P.....	33
F8155601P.....	33
F8155901P.....	33
F8156701.....	33
F8157401P.....	33
F8159901.....	33
F8160101P.....	33
Lid Clamp Assembly	
F630430.....	31
Lid Lock Pin	
F0190808-00P.....	31
Liquid Supply Decal	
F230877.....	9
Logic Control Assembly	
F160203P.....	13, 17

M

Magnet	
F8390801	35
Magnetic Switch	
F0340723-00	37
Magnetic Switch Assembly	
F200321200	37
F200321300	37
Module Box Cover	
F0637177-00	11
Momentary Switch	
F340435	13, 15, 31
Motor	
F022012800P	71
F8329201	71
F8329301P	71
F8329401P	71
F8329701P	71
F8329801P	71
F8329901P	71
F8330001P	71
F8330101P	71
F8330201P	71
F8330301P	71
Motor Bearing	
F100109P	45
Motor Conversion Kit	
F8329201P	71
F8411601	71
Motor Drip Shield	
F200216900	71
F200280700	71
Motor Pulley	
F280281	67
Motor Retrofit Kit	
F0798912-03	71
F0798912-04	71
Motor Support Bushing	
F200186100	69
Motor Support Rod	
F602844	69
F603059	69
F603897	69
Motor Switch	
F340002	61
Mounting Bracket Assembly	
F0636707-00	19
F635319	21, 23
F635320	25
Muffin Fan	
F110110	15

N

Network Board Assembly	
210016P	17
Network Board Harness	
F141886	17
Network Interface Control Mounting Bracket	
F634769	17
Network Interface Harness	
F141888	17

Nut	
F0431807-00	61
F430215	11, 15, 33, 37, 41, 49, 55, 57
F430218	43, 69
F430225	39
F430231	15, 39, 63
F430232	17, 35, 39, 61
F430233	27
F430239	45
F430240	45, 47
F430264	27, 39
F431016	15
F431017	25, 39
F431022	35
F431024	31
F431041	35
685846	13, 17, 19, 21, 23

O

Opto Coupler	
200674P	19, 21
O-Ring	
F170209	37
Output Relay CCA	
F370433P	11, 15
F370434P	11
Overflow Hose	
F0200238-00	49
F150332	49
F150417	49
F200125800	49
Overflow Plug	
F150352	53, 55, 57
Overlay	
70295101	23
70295301	23
Overload Contactor	
F8176101P	11
F8344001P	11
F8344101P	11

P

Personal Injury Warning Decal	
F231065	9
Pipe	
F603827-1	57
Plug	
F150443	55, 57
Pop Rivet	
F431215	19, 21, 23
Power Supply Cover	
F633260	61
Pressfit Upgrade Kit	
F935P3	41
F936P3	41
F938P3	41
F939P3	41
F942P3	41
Pulley	
F280105P	67
F280168	65

N/A items do not appear in index.

F280173	65
F280197	65
F280284	67
F280416	67
F280422P	67
F280423	67
F280427P	67
Pulley Bushing	
F280298P	69
Pulse Expander Assembly	
F8034701P	23
Pump	
F200000900P	57
F270104P	57
F634463P	55
Pump Drain Outlet Hose	
F150482	55
Pump Drain Rear Connecting Bracket	
F604147	55, 57
Pump Drain Trap Assembly	
F630326P	57
Pump Drain Trap Mounting Bracket	
F609694	57
Pump Drain Trap Weldment	
F633819	55
Pump Inlet Hose	
F634177	55
Pump Mounting Bracket	
F634114	55
Push Red Button Decal	
F230661	35
Pushbutton Rod	
F320300	35

R

Rear Drain Hose	
F150311	49, 55
Rear Panel	
F0636220-00P	33
F0636321-00P	33
F200022900P	33
Rear Panel Kit	
F757000	33
F757001	33
F757002	33
Rear Pump Drain Hose	
F150343	55, 57
Red Dot Decal	
F230662	35
Relay	
M412534	11, 15
Replacement Filter	
F270405	59
F270406	59
Resistor Assembly	
F8011001	71
Retaining Ring	
F8337801	47
F8337901	47
F8344901	45
F8345001	45

Right Side Panel	
F0636135-00P	33
F0636594-00P	33
F8155501P	33
F8155701P	33
F8156601	33
F8157301P	33
F8160001	33
F8160301P	33
Rivet	
F432005	17
Rod	
F602813-2	37
F602813-3	37

S

Screw	
F0430268-00	61
F430100	65
F430103	49
F430107	55, 57
F430108	71
F430174	27, 31, 33, 61
F430177	61, 63
F430179	55
F430518	41
F430519	57
F430532	35
F430533	35
F430536	37
F430537	69
F430903	17, 61
F430909	15
F430916	15, 35
F430917	11
F430925	31
F430927	65
F430942	43
F430948	61
F430949	43
F430956	27, 39, 61
F430976	35
F430977	39
F430982	39
F430987	43
F430996	11, 15
Shaft Seal	
F100208	45
Shaft Seal Sleeve	
F8312001P	41
F8312002P	41
F8312003P	41
F8312004P	41
F8312006P	41
F8312008P	41
Shaft Seal Sleeve Kit	
F8343901P	41
F8343904P	41
F8343906P	41
F8343909P	41
Sheave	
F0280385-00	67
H87520334	67
Sheave Kit	
F280287P	67

N/A items do not appear in index.

Sheave Pulley	
F280170	67
F280172	65
Shell Band Kit	
F741700	41
F741701	41
F741702	41
Shell Front Assembly	
F0636283-00P	41
F609270-1	41
F609272-1P	41
F632006P	41
Shell Front Gasket Kit	
F792000	41
Shell Weldment	
F063597402P	43
F0636388-00	43
F0636460-00	43
F0636555-00	43
F063659201	43
F0637659-00	43
F8196201	43
Side Panel	
F0635981-00P	33
F0635982-00P	33
F0636299-00	33
F0636300-00P	33
F0636515-00P	33
F0636516-00P	33
F0637628-00P	33
F0637630-00P	33
Side Panel Assembly	
F200200900P	33
F8178301	33
Siphon Tube	
F150390	61
Snap Bushing	
F140938	61
Solenoid	
F300125P	39
Spacer	
F431901	39
Spin Rotation Decal	
F230914	9
Spring	
F8504601	51
F8504701	53
Spring Pin	
F431222	35
Standoff	
F180501	15
F180506	11, 15, 17
Strainer	
F270200	63
Supply Dispenser Assembly	
F200202201	61
Supply Dispenser Baffle	
F150419	43
Supply Dispenser Bezel	
F0150503-00	61
Supply Dispenser Hose	
F0200236-01	43
F8061601	43
F8071701	43

Supply Dispenser Lid	
F200270500	31
Supply Dispenser Standoff	
F0150504-00	61
Switch Clamp	
F0340722-00	61
Switch Mounting Bracket	
F631949	31

T

Template	
F450127	73
F450246	73
Tension Spring	
F310148	69
Terminal	
F140768	11
Top Cover Assembly	
F063618900P	31
F063632700	31
F063652000P	31
F063659800P	31
F063664000P	31
F063771200P	31
Transformer	
F0360170-00P	11, 15
Trim	
F015050100P	27
Triple Lip Seal	
F8203801	45
F8203802	45
F8203803	47
F8203805	47
F8203806	47
Trunnion Kit	
F747001	45
F747002	45, 47
F747003	47
F747004	47
F747005	47
Tubing	
F606192-5	57

U

U-Bolt Clamp	
F200401P	55, 57

V

Vacuum Breaker Assembly	
F603031	63
Vacuum Breaker Bottom	
F015033000	63
Vacuum Breaker Fill Hose	
F0150340-01	63
Vacuum Breaker Hose	
F0200244-00	61
F0200244-01	61
F150321	63

N/A items do not appear in index.

F150340	63
Vacuum Breaker Top	
F0150329-00	63
Valve Panel Assembly	
F0636138-00	61
F0636138-01	61
F0636297-00	61
F0636297-01	61
F0636521-00	61
F0636524-01	61
Valve Panel Sub-Assembly	
F0636524-03	61
Valve, 3-Way	
F0381767-00P	63
F0381768-00P	63
F0381771-00P	63
F0381772-00P	63
Ventilation Seal	
F0100316-00P	15

W

Washer	
F0431159-00	65
F430303	43
F430311	17, 61
F430317	41, 49, 55
F431100	39
F431113	35
F431115	65
F431123	39
F431128	43, 45
F431131	43, 45, 47
F431137	15
F431147	31, 39
F431902	39
F431907	35
M400081	43
M405535	27
20290	59
803615	59
901690	57, 69
Water Hose	
F200108P	61
F200116	59
F200164	59
F200165	59
F200166	59
Water Level Switch	
F0340343-10P	13
F0340345-10P	13, 15
Water Level Switch Bracket	
F631920	13, 15

Y

Y Connector	
F422808	63
