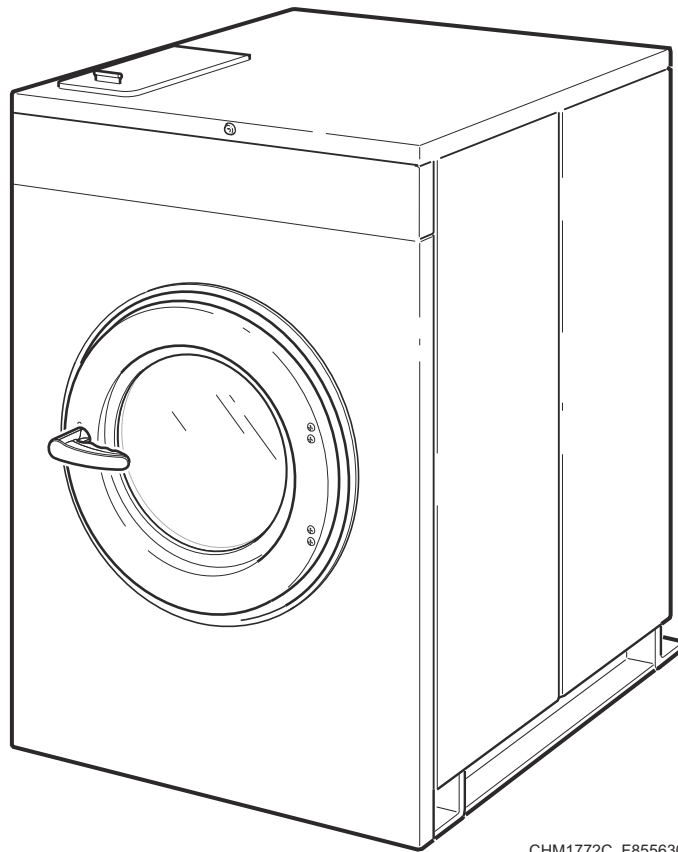


Washer-Extractor

Cabinet Hardmount

Design1 Models

Refer to Page 3 for Model Numbers



CHM1772C_F8556301

Table of Contents

Title	Page
Parts Ordering Information.....	2
Serial Plate Location	2
Model Identification	3
Product Overview for M9, M30, Galaxy 400, Galaxy 600, Quantum Silver and Quantum Gold	4
Product Overview for M4, Galaxy 200 and Quantum Standard	6
Decals	8
Control Module - 2 Speed	10
Control Module - F and V-Speed	12
Drive - F and V-Speed	14
Network Controls	16
Flush Mount Coin Meter Assembly - Single Drop	18
Flush Mount Coin Meter Assembly - Dual Drop.....	20
Electronic Coin Meter Assembly	22
Card Reader	24
Optional Coin Box.....	26
Front Panel, Control Panel and Control Panel Overlay - Coin Models	28
Front Panel, Control Panel and Control Panel Overlay - Card Ready Models.....	30
Panels	32
Door	34
Door Lock.....	36
Shell Front and Basket.....	38
Trunnion.....	40
Shell and Frame.....	42
Drain Plumbing	44
Drain Valve Assembly - 20 and 30 Pound Models.....	46
Drain Valve Assembly - 40 and 60 Pound Models.....	48
Steam Filter (Optional) and Water Supply Hose.....	50
Fill Plumbing Assembly (Drawing 1 of 2)	52
Fill Plumbing Assembly (Drawing 2 of 2)	54
Motor Mount, Pulleys and Belts	56
Motor - 20 and 30 Pound Models.....	58
Motor - 40 and 60 Pound Models.....	60
Steam Heat Option	62
Electric Heat Option	64
Parts Index.....	67

© Copyright 2019, Alliance Laundry Systems LLC

All rights reserved. No part of the contents of this book may be reproduced or transmitted in any form or by any means without the expressed written consent of the publisher.

Parts Ordering Information

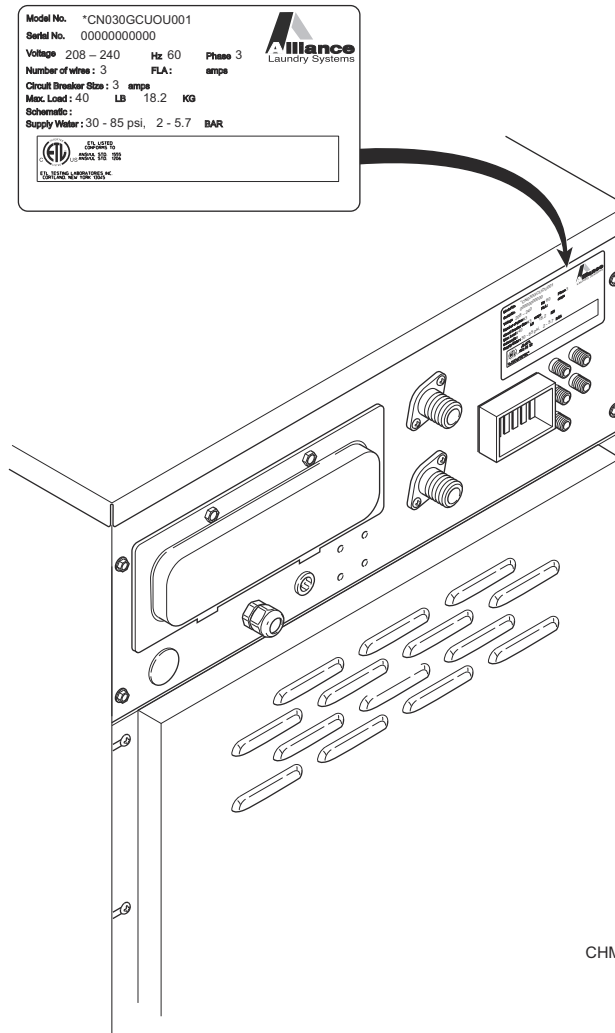
If literature or replacement parts are required, contact the source from whom the machine was purchased or contact Alliance Laundry Systems at (920) 748-3950 for the name and address of the nearest authorized parts distributor.

For technical assistance, call the number listed below:

(920) 748-3121 Ripon, Wisconsin

Serial Plate Location

When calling or writing about your product, be sure to mention model and serial numbers. Model and serial numbers are located on serial plate(s) as shown.



CHM3025P_F8556301

Model Identification

Information in this manual is applicable to these washer-extractor models:

HCD020LC2	SCN030LC2	SCN060LC2	SCU040LC2
HCD020LD2	SCN030LCF	SCN060LCF	SCU040LD2
HCD030LD2	SCN030LCV	SCN060LCV	SCU040LDV
HCD040LD2	SCN030LD2	SCN060LD2	SCU040LE2
HCD060LD2	SCN030LDV	SCN060LDV	SCU040LX2
HCL020LD2	SCN030LE2	SCN060LE2	SCU040LY2
SCD030LD2	SCN030LEV	SCN060LEV	SCU040WC2
SCD040LD2	SCN030LY2	SCN060LY2	SCU040WD2
SCD060LD2	SCN030LYF	SCN060LYF	SCU040WE2
SCL020LY2	SCN030LYV	SCN060LYV	SCU040WEV
SCL020WYV	SCN030WC2	SCN060WC2	SCU040WX2
SCL030LD2	SCN030WCF	SCN060WCF	SCU040WY2
SCL030LEV	SCN030WCV	SCN060WCV	SCU060LC2
SCL030WC2	SCN030WD2	SCN060WD2	SCU060LD2
SCL030WCV	SCN030WDV	SCN060WDV	SCU060LE2
SCL030WYV	SCN030WEV	SCN060WEV	SCU060LX2
SCL040LCF	SCN030WLV	SCN060WY2	SCU060LY2
SCL040LE2	SCN030WX2	SCN060WYV	SCU060WC2
SCL040LYF	SCN030WY2	SCU020LC2	SCU060WD2
SCL040WC2	SCN030WYV	SCU020LD2	SCU060WE2
SCL040WLV	SCN040LC2	SCU020LE2	SCU060WEV
SCL040WXV	SCN040LCF	SCU020LX2	SCU060WX2
SCL040WYV	SCN040LCV	SCU020LXV	SCU060WY2
SCL060LE2	SCN040LD2	SCU020LY2	
SCL060LEV	SCN040LDV	SCU020WC2	
SCL060WYV	SCN040LE2	SCU020WD2	
SCN020LC2	SCN040LEV	SCU020WE2	
SCN020LCV	SCN040LY2	SCU020WEV	
SCN020LD2	SCN040LYF	SCU020WX2	
SCN020LDF	SCN040LYV	SCU020WY2	
SCN020LEV	SCN040WC2	SCU030LC2	
SCN020LYF	SCN040WCF	SCU030LD2	
SCN020LYV	SCN040WCV	SCU030LE2	
SCN020LX2	SCN040WD2	SCU030LX2	
SCN020LY2	SCN040WDV	SCU030LY2	
SCN020WC2	SCN040WE2	SCU030WC2	
SCN020WCF	SCN040WEV	SCU030WCV	
SCN020WCV	SCN040WX2	SCU030WD2	
SCN020WD2	SCN040WY2	SCU030WE2	
SCN020WDV	SCN040WYV	SCU030WEV	
SCN020WEV		SCU030WX2	
SCN020WY2		SCU030WY2	
SCN020WYV			

Product Overview for M9, M30, Galaxy 400, Galaxy 600, Quantum Silver and Quantum Gold

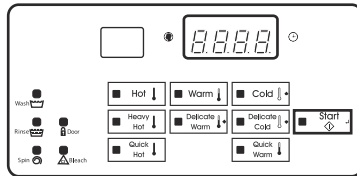
Model No. *CN030GC2U0U001
 Serial No. 0000000000

Voltage 208 – 240 Hz 60 Phase 3
 Number of wires : 3 FLA: amps
 Circuit Breaker Size : 3 amps
 Max. Load : 40 LB 18.2 KG
 Schematic :
 Supply Water : 30 - 85 psi, 2 - 5.7 BAR

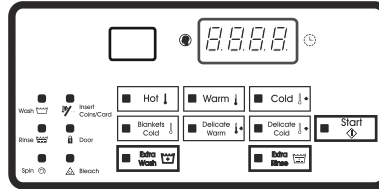
Alliance
 Laundry Systems

ETL LISTED
 CONFORMS TO
 ANSUL STD. 1552
 US ANSUL STD. 1506

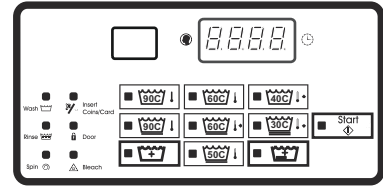
ETL TESTING LABORATORIES INC.
 CORTLAND, NEW YORK 13045



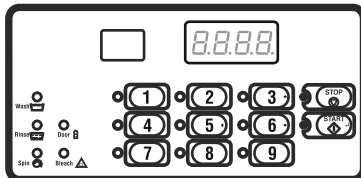
Galaxy 400 Coin



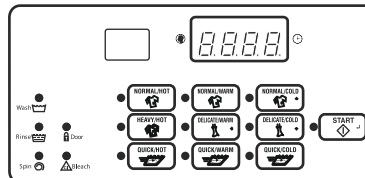
Galaxy 600 Coin (Domestic)



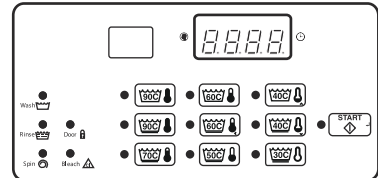
Galaxy 600 Coin (International)



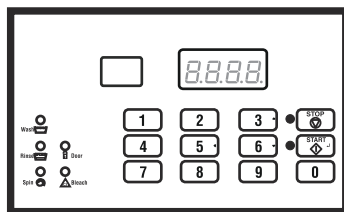
M9/Galaxy 400 OPL/Quantum Silver OPL



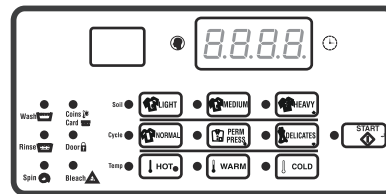
Quantum Silver Coin (Domestic)



Quantum Silver Coin (International)



M30/Quantum Gold OPL



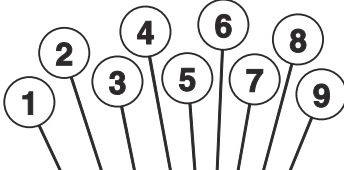
Quantum Gold

CHM3217P_F8556301

Product Overview for M9, M30, Galaxy 400, Galaxy 600, Quantum Silver and Quantum Gold

REF	PART NO.	DESCRIPTION	COMMENTS
1	-	Product Family	HC NC SC UC YC
2	-	Market	D (Daiwa) L (International ETL(c)) N (Domestic ETL(c)) U (International CE) W (WRAS CE) Y (Australia) Z (No Agency International)
3	-	Capacity (Pounds)	020 030 040 060 080 100 125
4	-	Control	G H J K L W
5	-	Actuation	C (Drop Coin Meter) D (Digital Coin Meter) E (Electronic World Drop) L (Prep for Remote/Central Pay) N (Non-Coin OPL) X (Prep for Coin Meter) Y (Prep for Card Reader)
6	-	Speed	2 (2 Speed) F (F-Speed) V (V-Speed)
7	-	Voltage	B (120/60/1/2) C (380-415/50/3/4) F (440-480/60/3/3) J (200/50/3/3) N (440-480/50/60/3) O (208/220-240/60/3/3) P (380-415/50/60/3) Q (200-208/220-240/50/60/3) R (380-415/440-480/50/60/3) X (200-208/220-240/50/60/1/3) Y (208/220-240/60/1/2)
8	-	Side Panel	U (Standard) 1 (Stainless Steel)
9	-	Design	1 2 3


Product Overview for M4, Galaxy 200 and Quantum Standard

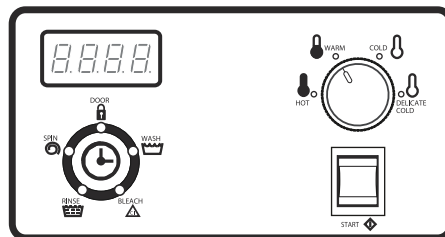


Model No. *CN030GC2U0U001
 Serial No. 0000000000

Alliance
 Laundry Systems

Voltage 208 – 240 Hz 60 Phase 3
 Number of wires :3 FLA : amps
 Circuit Breaker Size : 3 amps
 Max. Load : 40 LB 18.2 KG
 Schematic :
 Supply Water : 30 - 85 psi, 2 - 5.7 BAR


 ETL LISTED
 CONFORMS TO
 ANS/UL STD. P55
 US ANS/UL STD. 1209
 ETL TESTING LABORATORIES, INC.
 CORTLAND, NEW YORK 13045



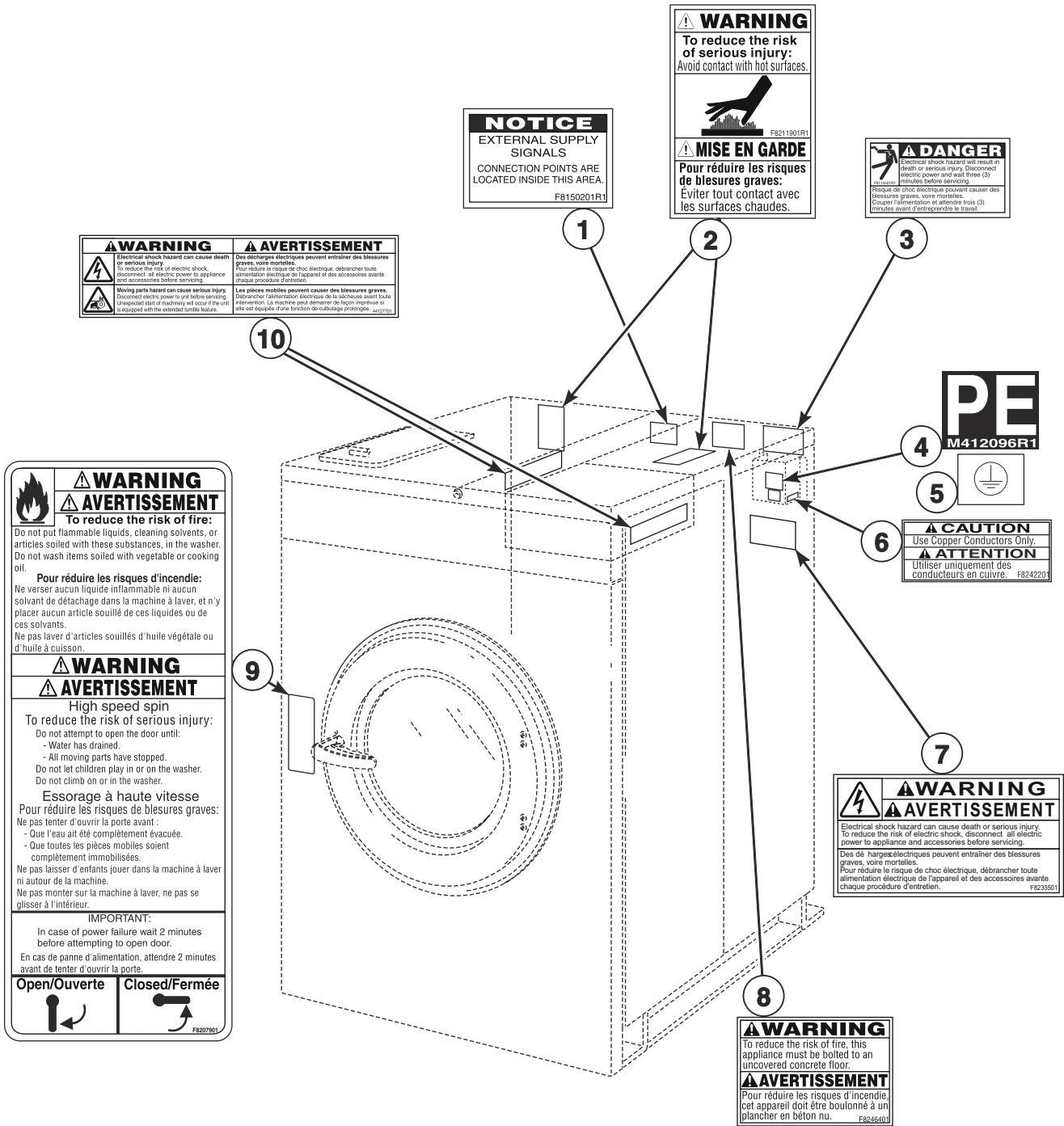
M4/Galaxy 200/Quantum Standard

CHM3218P_F8556301

Product Overview for M4, Galaxy 200 and Quantum Standard

REF	PART NO.	DESCRIPTION	COMMENTS
1	-	Product Family	HC NC SC UC YC
2	-	Market	D (Daiwa) L (International ETL(c)) N (Domestic ETL(c)) U (International CE) W (WRAS CE) Y (Australia) Z (No Agency International)
3	-	Capacity (Pounds)	020 030 040 060 080 100 125
4	-	Control	G H J K L W
5	-	Actuation	C (Drop Coin Meter) D (Digital Coin Meter) E (Electronic World Drop) L (Prep for Remote/Central Pay) N (Non-Coin OPL) X (Prep for Coin Meter) Y (Prep for Card Reader)
6	-	Speed	2 (2 Speed) F (F-Speed) V (V-Speed)
7	-	Voltage	B (120/60/1/2) C (380-415/50/3/4) F (440-480/60/3/3) J (200/50/3/3) N (440-480/50/60/3) O (208/220-240/60/3/3) P (380-415/50/60/3) Q (200-208/220-240/50/60/3) R (380-415/440-480/50/60/3) X (200-208/220-240/50/60/1/3) Y (208/220-240/60/1/2)
8	-	Side Panel	U (Standard) 1 (Stainless Steel)
9	-	Design	1 2 3

Decals

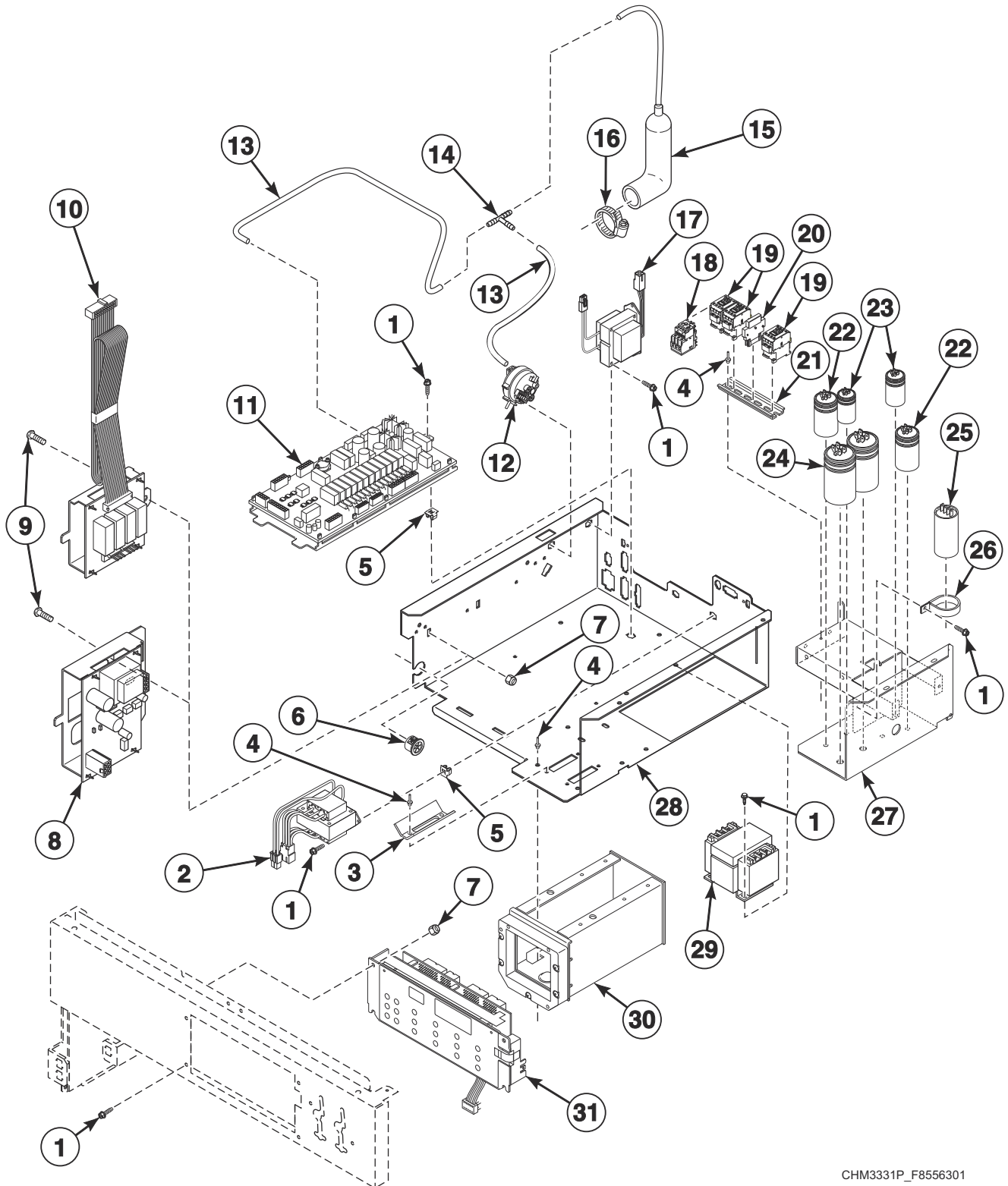


CHM3027P_F8556301

Decals

REF	PART NO.	DESCRIPTION	COMMENTS
1	F8150201	External Supply Connection Decal	
2	F8614301	Hot Surface Warning Label	
3	F8115501	Electric Shock Danger Label	
4	M412096	Earth Terminal Sticker	
5	F230739	Ground Decal	
6	F8242201	Use Copper Conductors Only Caution Label	
7	F8233501	Warning Label	
8	F8246401	Mount On Concrete Warning Label	
9	F8207901	Warning Label	
10	44324001	Warning Label	

Control Module - 2 Speed

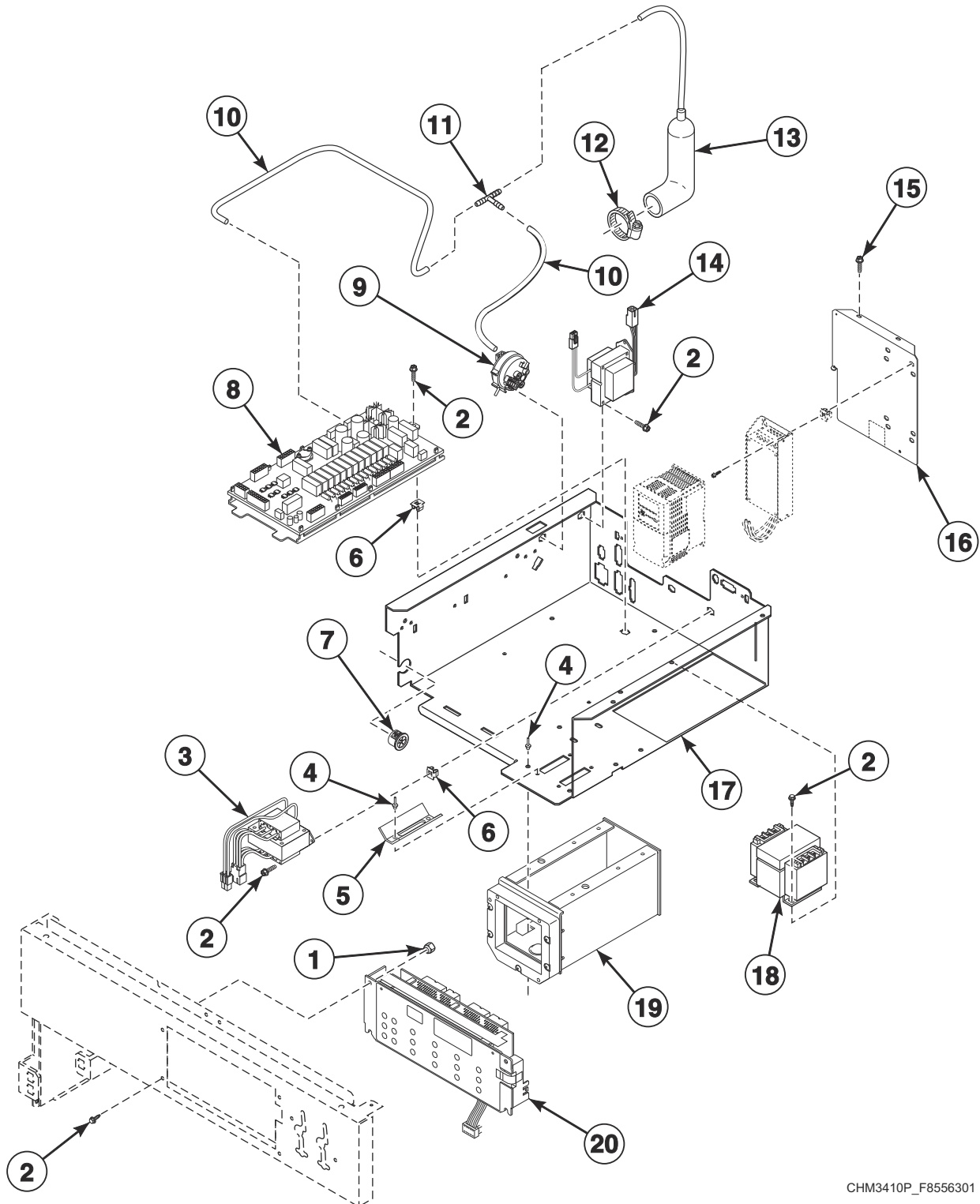


CHM3331P_F8556301

Control Module - 2 Speed

REF	PART NO.	DESCRIPTION	COMMENTS
	F8028219P	Temperature Configuration Harness	
	F8028701	Output/Logic Harness	
	203346	USB IR Interface Kit	
	F8191201P	External Supply Harness	
	F937P3	External Supply Kit	Includes items 1, 10, 24, F8191201P External Supply Harness and screws
	F8028101P	Machine Size Configuration Harness	20 pound models
	F8028103P	Machine Size Configuration Harness	30 pound models
	F8028104P	Machine Size Configuration Harness	40 pound models
	F8028105P	Machine Size Configuration Harness	60 pound models
	F8261501P	Control Tray Harness	
	M413506	Jumper Harness Assembly	208 Volt
	M413507	Jumper Configuration Assembly	240 Volt
	F8028105P	Machine Size Configuration Harness	60 pound models
1	F8206901	Screw	
2	803527P	Transformer	
3	F8170801	Coin Chute	
4	70058501	Pop Rivet	
5	70030501	Expansion Clip	
6	44071501	Snap Bushing	
7	F430232	Nut	
8	201341	Network Board Assembly	Network models
9	F430903	Screw	
10	F8189401P	Auxiliary Control Assembly	HCD and SCD models
11	F980P3	Control Assembly Kit	Includes item 14 and F8108001 Output Assembly
	802493	Fuse	2.5 Amp
12	F8223001P	Water Pressure Switch	
13	F8153901	Tubing	
14	F8246601	Tee	Electric and steam heat
	F8431001	Hose Barb Connector	All other models
15	F020014200	Air Trap Hose	
16	F200222	Hose Clamp	No. 12
17	201616P	Transformer	External supply
18	F8176101P	Overload Contactor	
19	F330177P	Contactor	
20	F330186P	Interlock Contactor	
21	F8200101	DIN Rail	
22	F8411901	Capacitor	50 MFD; 20 pound models Y-voltage, 1 used; 40 pound models Y-voltage, 2 used
	F370221	Capacitor	100 MFD; 20 pound models; B-voltage, 1 used
23	F8411701	Capacitor	20 MFD; 30 pound models Y-voltage, 4 used; 40 pound models Y-voltage, 2 used
	F8411801	Capacitor	25 MFD; 20 pound models; Y-voltage, 2 used
24	F370220	Capacitor	130 MFD; 20 pound models B-voltage, 2 used; 30 pound models Y-voltage, 1 used
	F370218P	Capacitor	160 MFD; 40 pound models; Y-voltage, 2 used
25	F340002	Motor Switch	50 Amp
26	F0340722-00	Switch Clamp	
27	F8199601	Capacitor Tray Assembly	20 pound models; B and Y-voltage
	F8199901	Capacitor Tray Assembly	30 and 40 pound models; Y-voltage
	F8343401	Contactor Tray Assembly	C, F, J and O-voltage
28	F8205902	Control Tray Assembly	20 and 30 pound models; Includes items 3 and 30
	F8205903	Control Tray Assembly	40 and 60 pound models; Includes items 3 and 30
29	F360157P	Transformer	B-voltage
30	F8182501	Coin Vault Assembly	20 and 30 pound models with LC, LD, LE, LX, WC, WD, WE and WX in the 7th and 8th position in the model number
	F8182601	Coin Vault Assembly	40 and 60 pound models with LC, LD, LE, LX, WC, WD, WE and WX in the 7th and 8th position in the model number
31	F985P3	Front End Control Kit	

Control Module - F and V-Speed

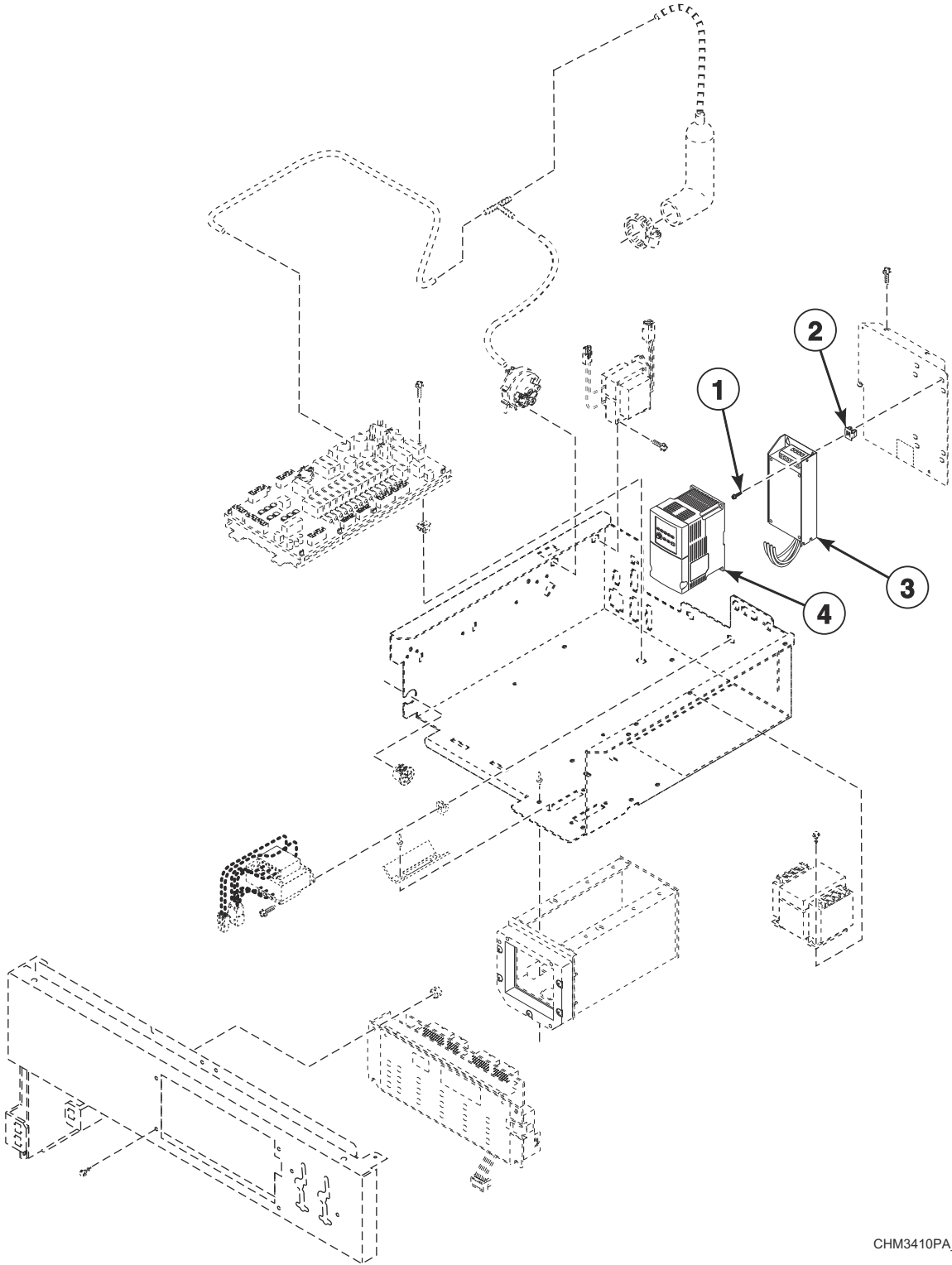


CHM3410P_F8556301

Control Module - F and V-Speed

REF	PART NO.	DESCRIPTION	COMMENTS
	F8028219P	Temperature Configuration Harness	
	F8028701	Output/Logic Harness	
	203346	USB IR Interface Kit	
	F8028101P	Machine Size Configuration Harness	20 pound models
	F8028103P	Machine Size Configuration Harness	30 pound models
	F8028104P	Machine Size Configuration Harness	40 pound models
	F8028105P	Machine Size Configuration Harness	60 pound models
	F8261501P	Control Tray Harness	40 and 60 pound models
	M413506	Jumper Harness Assembly	208 Volt
	M413507	Jumper Configuration Assembly	240 Volt
1	F430232	Nut	
2	F8206901	Screw	
3	803527P	Transformer	
4	70058501	Pop Rivet	
5	F8170801	Coin Chute	
6	70030501	Expansion Clip	
7	44071501	Snap Bushing	
8	F980P3	Control Assembly Kit	Includes item 11 and F8108001 Output Assembly
9	F8223001P	Water Pressure Switch	
10	F8153901	Tubing	
11	F8246601	Tee	Electric and steam heat
	F8431001	Hose Barb Connector	All other models
12	F200222	Hose Clamp	No. 12
13	F020014200	Air Trap Hose	
14	201616P	Transformer	External supply
15	430497	Screw	
16	F8195803	Support Bracket	
17	F8205902	Control Tray Assembly	20 and 30 pound models; Includes items 5 and 19
	F8205903	Control Tray Assembly	40 and 60 pound models; Includes items 5 and 19
18	F360157P	Transformer	B-voltage
19	F8182501	Coin Vault Assembly	20 and 30 pound models
	F8182601	Coin Vault Assembly	40 and 60 pound models
20	F984P3	Front End Control Kit	V-speed models; Includes F828701 Output/Logic Harness
	F985P3	Front End Control Kit	F-speed models; Includes F828701 Output/Logic Harness

Drive - F and V-Speed



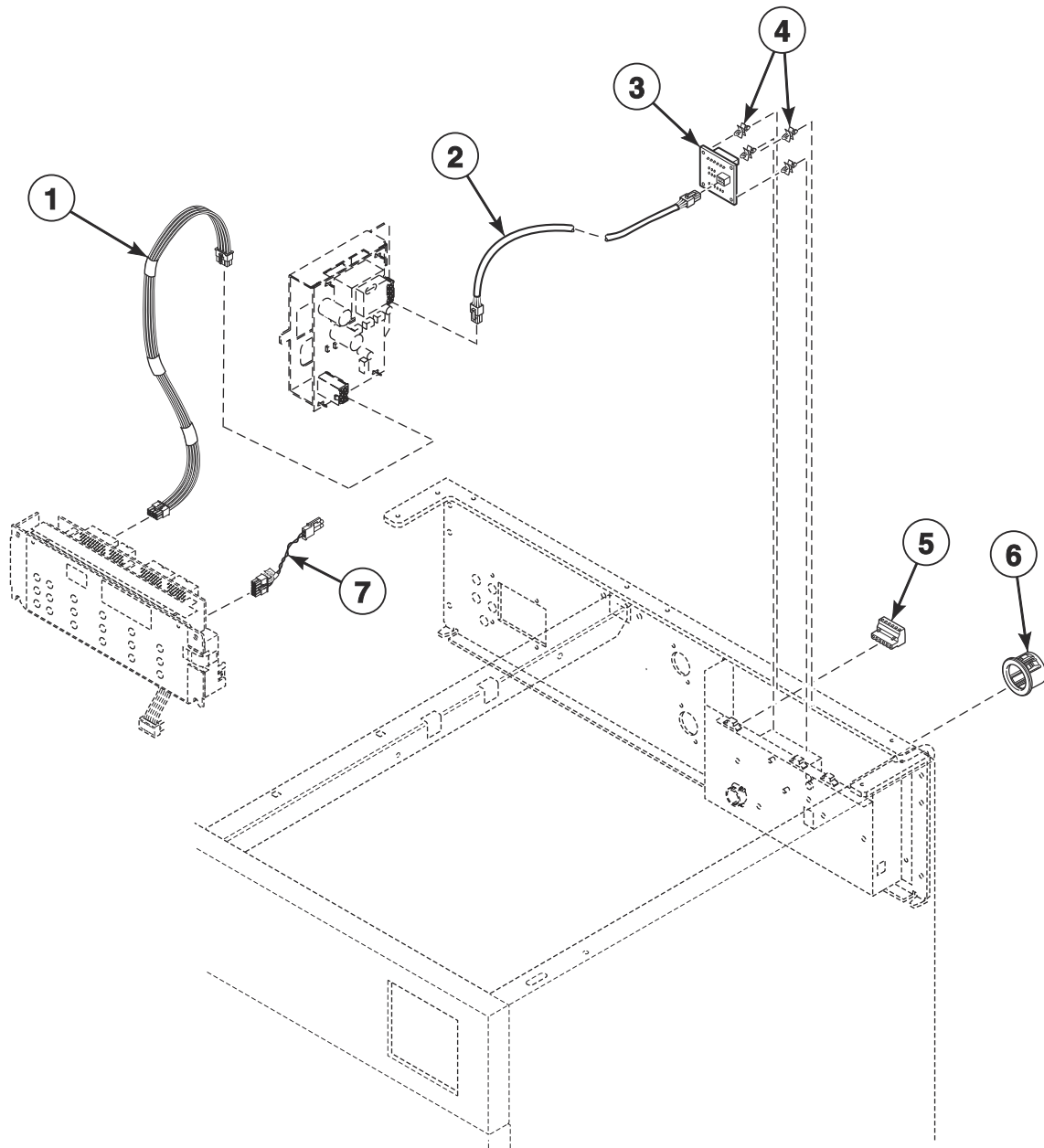
CHM3410PA_F8556301

Drive - F and V-Speed

REF	PART NO.	DESCRIPTION	COMMENTS
1	F8206901	Screw	
2	70030501	Expansion Clip	
3	F8053901P	EMI Filter	240 Volt; International models only
	F8053902	EMI Filter	480 Volt; International models only
4	F8169401	PowerFlex 40 Drive	20 pound models; Models through 2/28/10; Q and X-voltage; Models with an Elmo motor
	F8169402	PowerFlex 40 Drive	20 pound models; Models through 2/28/10; N, P and R-voltage; Models with an Elmo motor
	F8169403	PowerFlex 40 Drive	30 pound models; Models through 2/28/10; Q and X-voltage; Models with an Elmo motor
	F8169404	PowerFlex 40 Drive	30 pound models; Models through 2/28/10; N, P and R-voltage; Models with an Elmo motor
	F8169405	PowerFlex 40 Drive	40 pound models; Models through 3/8/10; Q and X-voltage; Models with an Elmo motor
	F8169406	PowerFlex 40 Drive	40 pound models; Models through 3/8/10; N, P and R-voltage; Models with an Elmo motor
	F8169407	PowerFlex 40 Drive	60 pound models; Models through 3/8/10; Q and X-voltage; Models with an Elmo motor
	F8169408	PowerFlex 40 Drive	60 pound models; Models through 3/8/10; N, P and R-voltage; Models with an Elmo motor
	F8169434	PowerFlex 40 Drive	20 pound models; Models starting 3/1/10; Q and X-voltage; Models with a Hanning motor
	F8169435	PowerFlex 40 Drive	20 pound models; Models starting 3/1/10; N, P and R-voltage; Models with a Hanning motor
	F8169436	PowerFlex 40 Drive	30 pound models; Models starting 3/1/10; Q and X-voltage; Models with a Hanning motor
	F8169437	PowerFlex 40 Drive	30 pound models; Models starting 3/1/10; N, P and R-voltage; Models with a Hanning motor
	F8169438	PowerFlex 40 Drive	40 pound models; Models starting 3/9/10; Q and X-voltage; Models with a Hanning motor
	F8169439	PowerFlex 40 Drive	40 pound models; Models starting 3/9/10; N, P and R-voltage; Models with a Hanning motor
F8169440	PowerFlex 40 Drive	60 pound models; Models starting 3/9/10; Q and X-voltage; Models with a Hanning motor	
F8169441	PowerFlex 40 Drive	60 pound models; Models starting 3/9/10; N, P and R-voltage; Models with a Hanning motor	

Network Controls

WC, WD, WE and WY Models

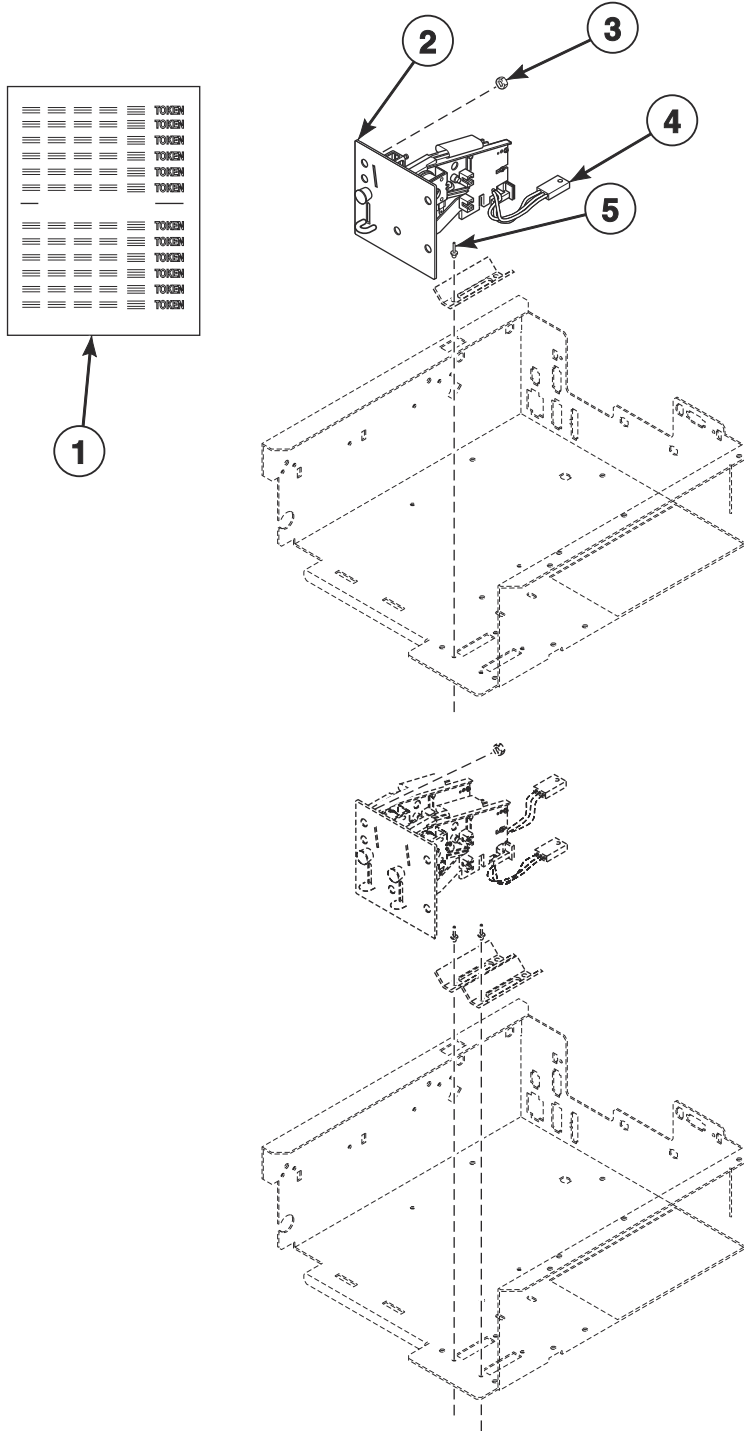


CHM3214P_F8556301

Network Controls

REF	PART NO.	DESCRIPTION	COMMENTS
	NK204	Network Retrofit Kit	Wired; Includes items 1, 3, 4, 7, 203028 Network Board Assembly, 430497 Screw and 51780 Screw
	NK220	Network Controller Kit	Wired; Includes 210162 Terminating Resistor, 511949 Network Controller Assembly, 512161 Network Controller Power Supply and 513375 Ethernet Cable
	NK301	Wireless Network Kit	
	NK320	Ethernet Gateway Kit	Wireless
	NK330	USB Gateway Kit	Wireless
1	44088501P	Network Wire Harness Assembly	
2	44141801P	Network Harness	
3	210095P	Communication Board	
4	210098	PC Board Standoff	
5	210099	Communication Connector	
6	M400770	Snap Bushing	
7	70338301P	Communication Harness	

Flush Mount Coin Meter Assembly - Single Drop



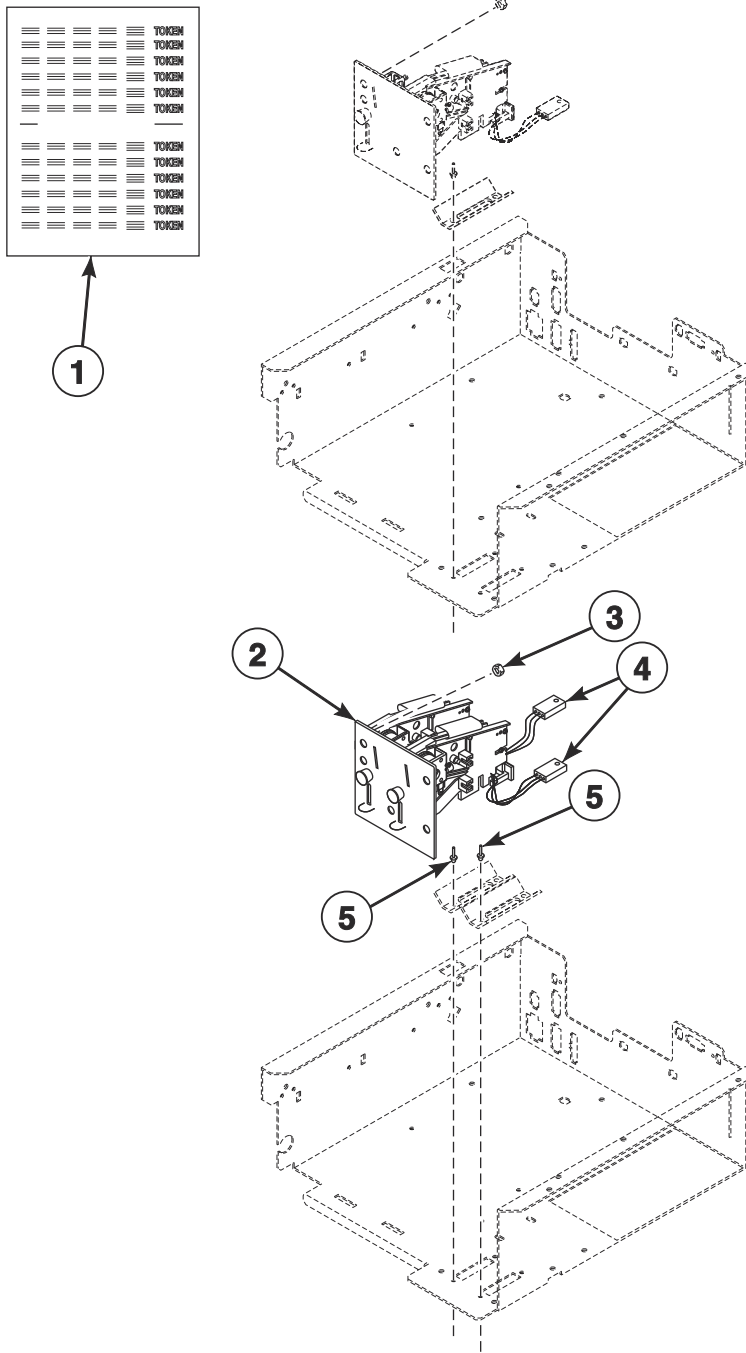
CHM3088P_F8556301

Flush Mount Coin Meter Assembly - Single Drop

REF	PART NO.	DESCRIPTION	COMMENTS
	F200010000P	Coin Meter Assembly	U.S. \$.25; Includes items 2 and 3
	F200010006	Coin Meter Assembly	.800 token; Includes items 2 and 3
	F200010007	Coin Meter Assembly	.880 token; Includes items 2 and 3
	F200010009	Coin Meter Assembly	.990 token; Includes items 2 and 3
	F200010011	Coin Meter Assembly	Jeton WH121 token; Includes items 2 and 3
	F200010012	Coin Meter Assembly	Jeton .08 token; Includes items 2 and 3
1	38725	Coin Identification Paper	
2	38464P	Coin Drop Assembly	Canada .25
	N/A	Coin Drop Assembly	Australia .20
	N/A	Coin Drop Assembly	Belgium 5 franc
	N/A	Coin Drop Assembly	Denmark 2 krone
	N/A	Coin Drop Assembly	United Kingdom 20 pence
	N/A	Coin Drop Assembly	France 2 franc
	N/A	Coin Drop Assembly	Hong Kong 5 dollar
	N/A	Coin Drop Assembly	Italy 500 lirraiget
	N/A	Coin Drop Assembly	Japan 100 yen
	N/A	Coin Drop Assembly	Korea 500 won
	N/A	Coin Drop Assembly	South Africa 2 rand
	N/A	Coin Drop Assembly	Spain 100 peseta
	N/A	Coin Drop Assembly	Thailand 10 baht
	N/A	Coin Drop Assembly	.886 token
	N/A	Coin Drop Assembly	1.000 token
	N/A	Coin Drop Assembly	Jeton 08 token
	70441601P	Coin Drop	U.S. \$.25
	N/A	Coin Drop Assembly	.800 token
	38462P	Coin Drop Assembly	.880 token
	38463	Coin Drop Assembly	.990 token
	N/A	Coin Drop Assembly	Jeton WH121 token
	N/A	Coin Meter	Jeton .08 token
3	685846	Nut	
4	200674P	Opto Coupler	
5	70058501	Pop Rivet	

N/A = Part no longer available

Flush Mount Coin Meter Assembly - Dual Drop



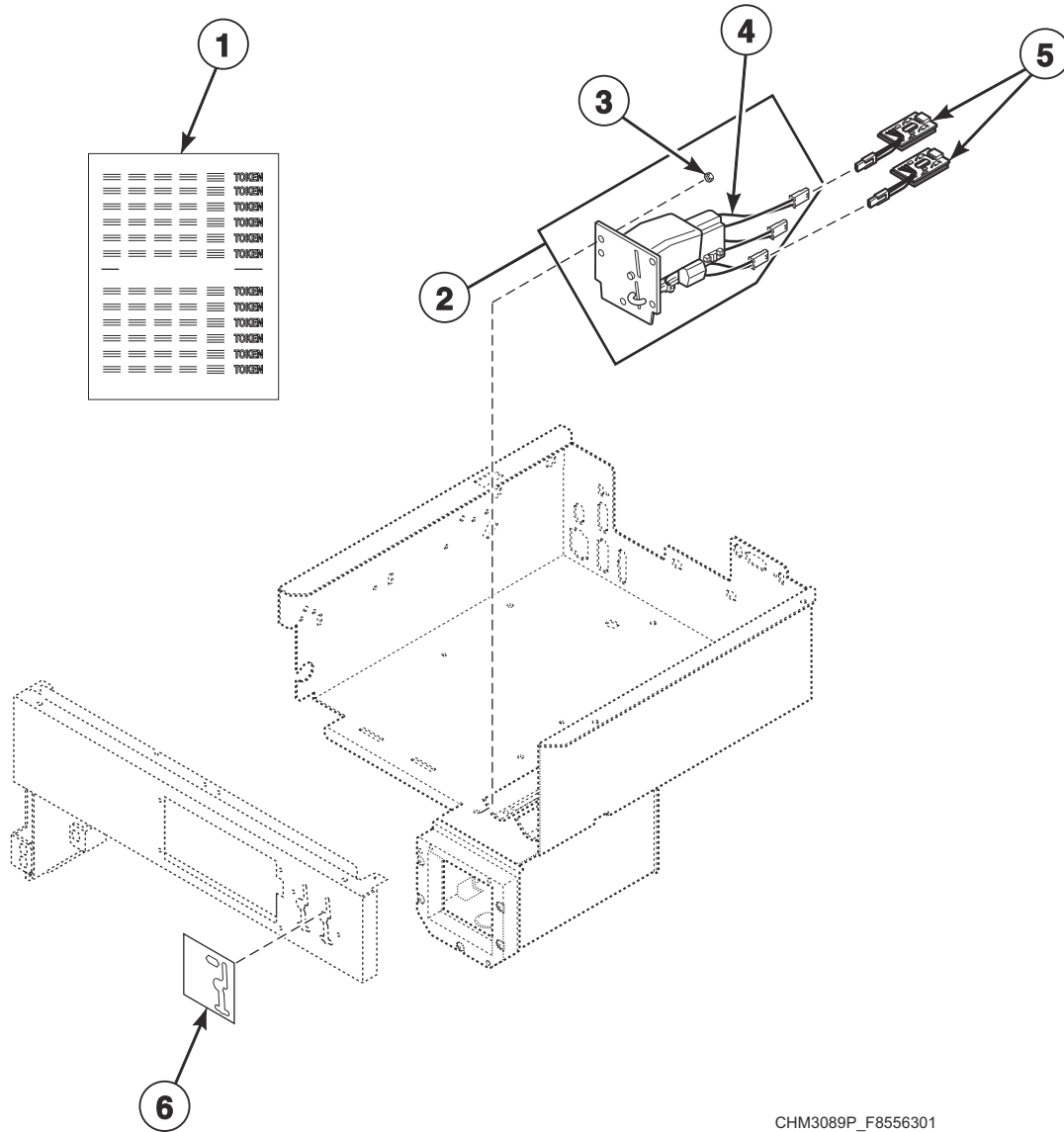
CHM3088PA_F8556301

Flush Mount Coin Meter Assembly - Dual Drop

REF	PART NO.	DESCRIPTION	COMMENTS
	F200010001	Coin Meter Assembly	Australia .20 and 1.00; Includes items 2 and 3
	F200010002	Coin Meter Assembly	100 and 500 yen; Includes items 2 and 3
	F200010003	Coin Meter Assembly	Canada .25 and 1.00; Includes items 2 and 3
	F200010004	Coin Meter Assembly	New Zealand .20 and 1.00; Includes items 2 and 3
	F200010005P	Coin Meter Assembly	U.S. \$.25 and \$1.00; Includes items 2 and 3
	F200010008	Coin Meter Assembly	.50 and 2.00 euro; Includes items 2 and 3
	F200010010	Coin Meter Assembly	10 and 50 Taiwan; Includes items 2 and 3
1	38725	Coin Identification Paper	
2	N/A	Coin Meter	10 and 50 Taiwan
	N/A	Coin Meter	Belgium 5 and 20 franc
	N/A	Coin Meter	Denmark 1 and 5 krone
	N/A	Coin Meter	Denmark 5 and 10 krone
	38472	Coin Drop Assembly	United Kingdom 20 pence and 1 pound
	N/A	Coin Meter	.20 and .50 euro
	210195	Coin Drop Assembly	.20 and 1.00 euro
	210196	Coin Drop Assembly	.50 and 1.00 euro
	N/A	Coin Meter	2 and 5 franc
	N/A	Coin Meter	2 and 10 franc
	39157	Coin Drop Assembly	Israel 1 and 5 shekel
	38521	Coin Drop Assembly	Korea 100 and 500 won
	N/A	Coin Meter	Spain 100 and 500 peseta
	N/A	Coin Drop Assembly	Australia .20 and 1.00
	N/A	Coin Drop Assembly	Japan 100 and 500 yen
	N/A	Coin Drop Assembly	Canada .25 and 1.00
	N/A	Coin Drop Assembly	New Zealand .20 and 1.00
	70256402P	Coin Drop	U.S. \$.25 and \$1.00
	F0160737-00	Coin Meter	.50 and 2.00 euro
	70281102	Coin Drop Assembly	10 and 50 Taiwan dollar
	N/A	Coin Meter	Taiwan 5 and 10 dollar
3	685846	Nut	
4	200674P	Opto Coupler	
5	70058501	Pop Rivet	

N/A = Part no longer available

Electronic Coin Meter Assembly



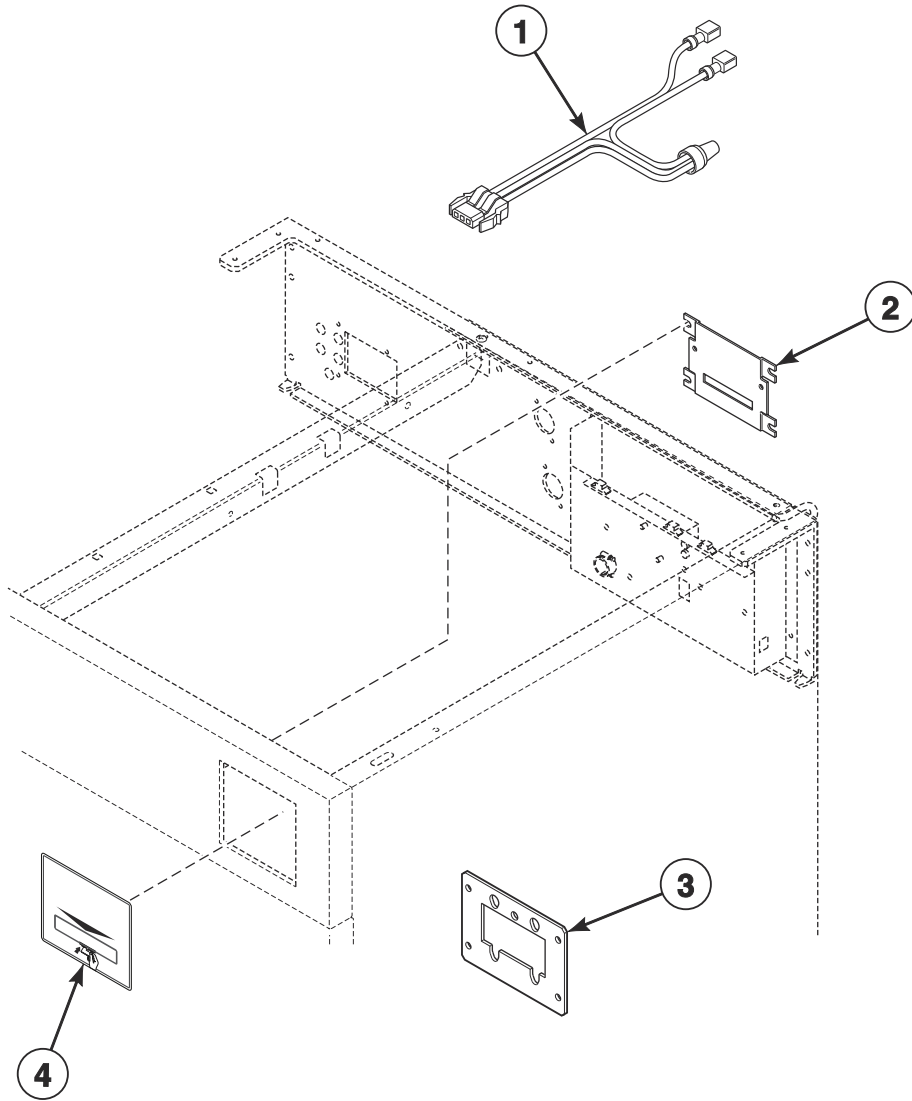
CHM3089P_F8556301

Electronic Coin Meter Assembly

REF	PART NO.	DESCRIPTION	COMMENTS
	CK500	Electronic Coin Drop Kit	Includes item 2
1	38725	Coin Identification Paper	
2	F200021600P	Coin Meter Assembly	U.S., Canada, Japan and Taiwan; Includes items 3 and 4; Requires CK500 Electronic Coin Drop Kit for installation
3	685846	Nut	
4	70513311	Electronic Coin Drop Assembly	China, Russia and Malaysia; Includes items 3 and 4; Requires CK500 Electronic Coin Drop Kit for installation
	CK115	Electronic Coin Drop Kit	U.S. and Canada; Includes item 1; Requires CK500 Electronic Coin Drop Kit for installation
	CK113	Electronic Coin Drop Kit	Japan and Taiwan; Includes item 1; Requires CK500 Electronic Coin Drop Kit for installation
	70294105P	Electronic Coin Drop Assembly	Australia, New Zealand, Hong Kong, South Korea Malaysia, United Kingdom and Euro
	CK099	Electronic Coin Drop Kit	Australia, New Zealand, Hong Kong, South Korea and Malaysia; Includes item 1; Requires CK500 Electronic Coin Drop Kit for installation
	70294103P	Electronic Coin Drop Assembly	United Kingdom and euro
	CK100	Electronic Coin Drop Kit	United Kingdom and euro; Includes item 1; Requires CK500 Electronic Coin Drop Kit for installation
	70294104	Electronic Coin Drop Assembly	Denmark, Norway and Euro
	CK101	Electronic Coin Drop Kit	Denmark, Norway and euro; Includes item 1; Requires CK500 Electronic Coin Drop Kit for installation
	70294106	Electronic Coin Drop Assembly	U.S., Mexico and Ecuador
	CK110	Electronic Coin Drop Kit	U.S., Mexico and Ecuador; Includes item 1; Requires CK500 Electronic Coin Drop Kit for installation
	70294107	Electronic Coin Drop Assembly	Euro, Latvia and Lithuania
	CK103	Electronic Coin Drop Kit	Euro, Latvia and Lithuania; Includes item 1; Requires CK500 Electronic Coin Drop Kit for installation
	70294109	Electronic Coin Drop Assembly	Singapore, China, Russia and Malaysia
	CK106	Electronic Coin Drop Kit	Singapore, China, Russia and Malaysia; Includes item 1; Requires CK500 Electronic Coin Drop Kit for installation
	70294111	Electronic Coin Drop Assembly	Euro
	CK109	Electronic Coin Drop Kit	Euro; Includes item 1; Requires CK500 Electronic Coin Drop Kit for installation
	70294119	Electronic Coin Drop Assembly	Thailand
	CK119	Electronic Coin Drop Kit	Thailand; Includes item 1; Requires CK500 Electronic Coin Drop Kit for installation
5	F8034701P	Pulse Expander Assembly	
6	70295101	Overlay	Black
	70295301	Overlay	Gray

Card Reader

LY and WY Models

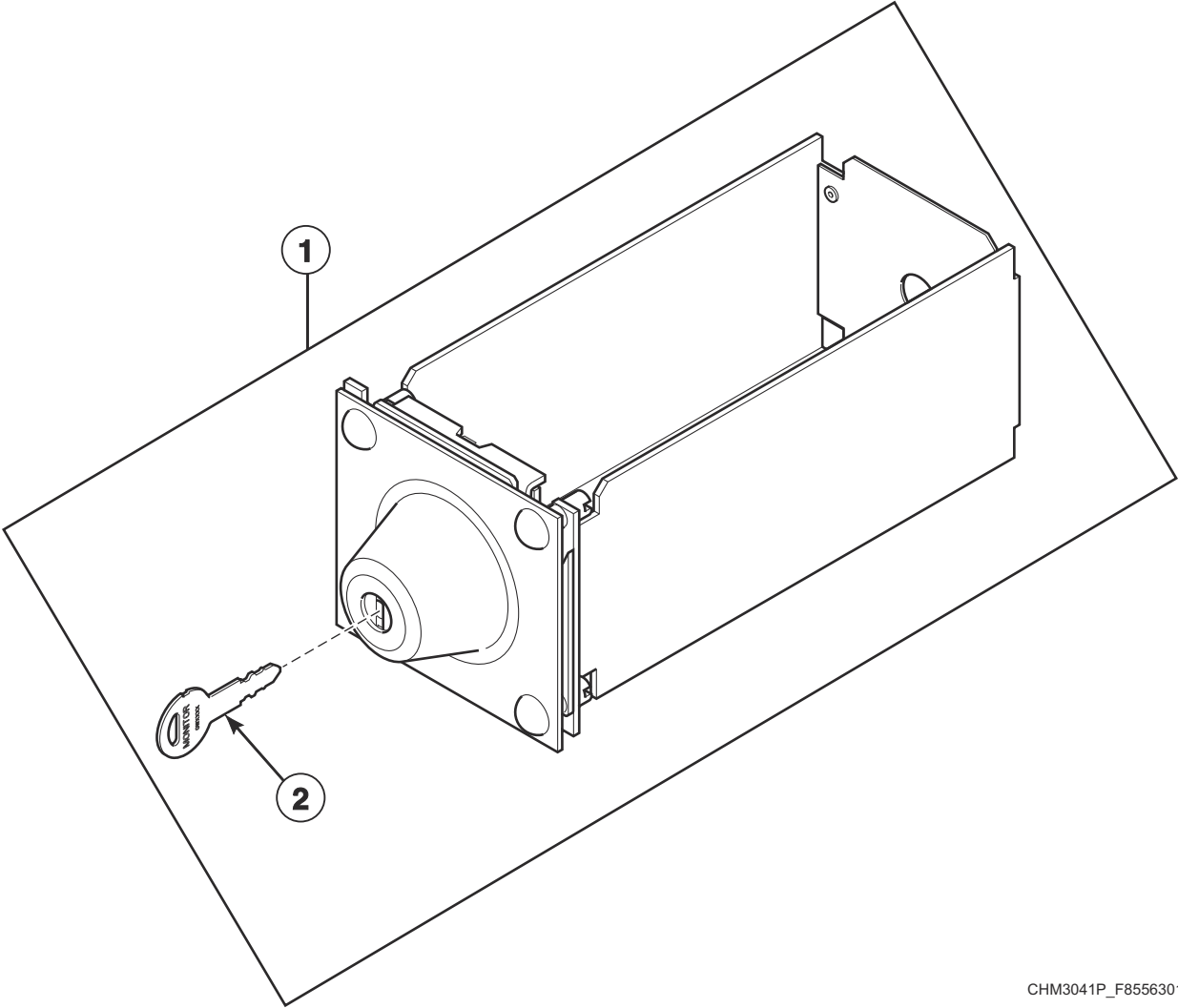


CHM3216P_F8556301

Card Reader

REF	PART NO.	DESCRIPTION	COMMENTS
1	F8191401P	Vault/FBS Bypass Harness	
2	F8201501	Card Plate Assembly	
3	70208801	Mounting Plate	
4	70334201	Card Reader Overlay	Black

Optional Coin Box

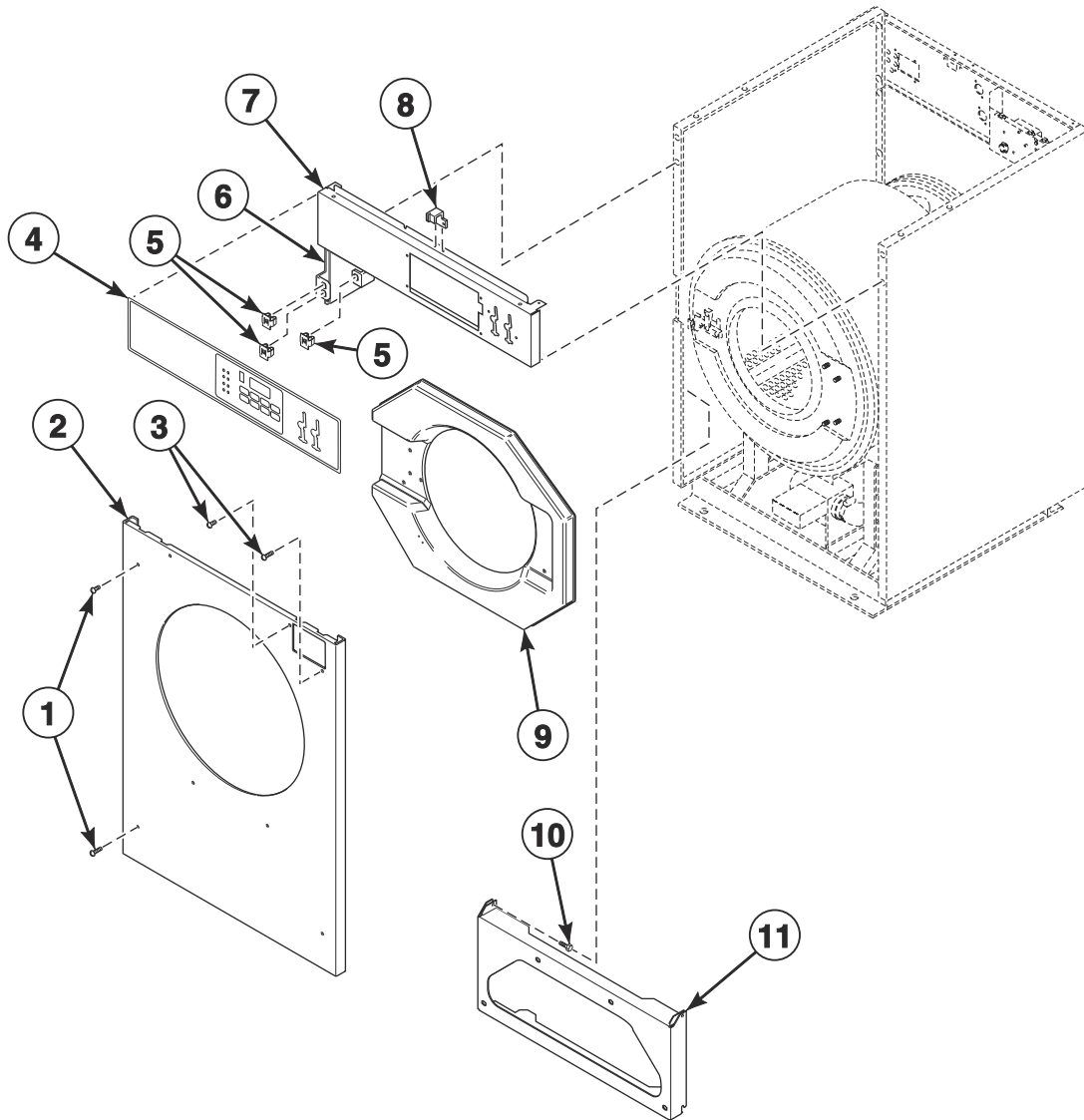


CHM3041P_F8556301

Optional Coin Box

REF	PART NO.	DESCRIPTION	COMMENTS
1	F160672	Coin Box	20 and 30 pound models; GW0023
	F8182001	Coin Drawer Assembly	40 and 60 pound models
2	F160420	Key	GW0023

Front Panel, Control Panel and Control Panel Overlay - Coin Models

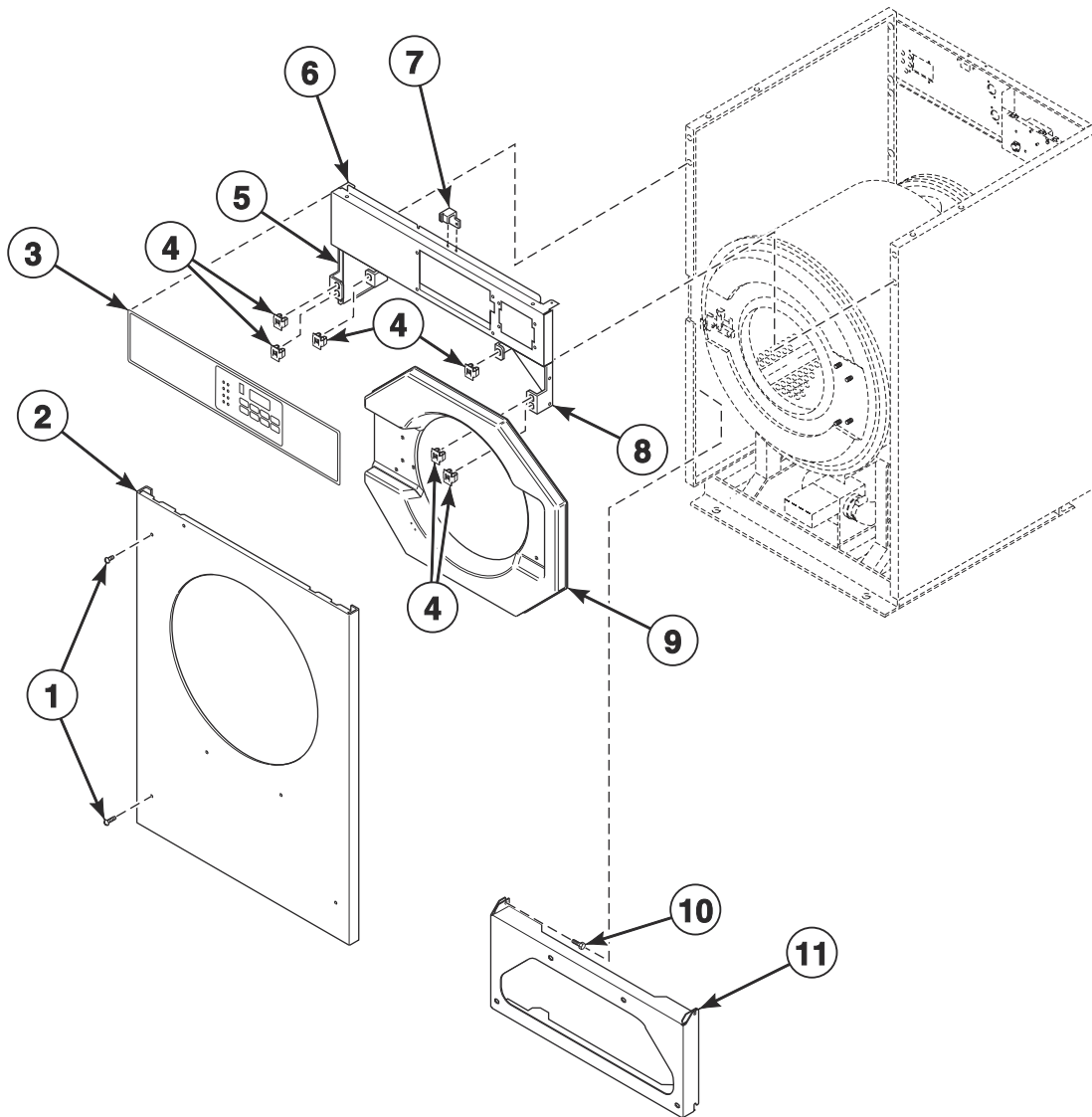


CHM3196P_F8556301

Front Panel, Control Panel and Control Panel Overlay - Coin Models

REF	PART NO.	DESCRIPTION	COMMENTS
1	F8117601	Screw	
2	F8171301	Front Panel	20 pound models; Stainless steel
	F8173001	Front Panel	30 pound models; Stainless steel
	F8173101P	Front Panel	40 pound models; Stainless steel
	F8173201P	Front Panel	60 pound models; Stainless steel
3	801019	Screw	
4	F8226902	Control Panel Overlay	HCD020 and HCL020 models; Dual coin drop
	F8227002	Overlay	HCD030 and SCD030 models; Dual coin drop
	F8227102	Overlay	HCD040 and SCD040 models; Dual coin drop
	F8227202	Overlay	HCD060 and SCD060 models; Dual coin drop
	F8296601	Overlay	SCL020, SCN020 and SCU020 models; Single coin drop
	F8296602	Overlay	SCL020, SCN020 and SCU020 models; Dual coin drop
	F8296701	Overlay	SCL030, SCN030 and SCU030 models; Single coin drop
	F8296702	Overlay	SCL030, SCN030 and SCU030 models; Dual coin drop
	F8296801	Overlay	SCL040, SCN040 and SCU040 models; Single coin drop
	F8296802	Overlay	SCL040, SCN040 and SCU040 models; Dual coin drop
	F8296901	Overlay	SCL060, SCN060 and SCU060 models; Single coin drop
	F8296902	Overlay	SCL060, SCN060 and SCU060 models; Dual coin drop
	5	70030501	Expansion Clip
6	F8186702	Gusset Plate	
7	F8038502	Control Panel Assembly	20 pound models
	F8038602	Control Panel Assembly	30 pound models
	F8038702	Control Panel Assembly	40 pound models
	F8038802	Control Panel Assembly	60 pound models
8	F8201001	Top Cover Latch	
9	F170416-1	Door Bezel	20 pound SC models; Black
	F170416-2	Door Bezel	Models HCD020LC2, HCD020LD2 and HCL020LD2; Models through 1/10/10; Pantone 403
	F170416-3	Door Bezel	Models HCD020LC2, HCD020LD2 and HCL020LD2; Models starting 1/11/10; Pantone 424
	F170417-1	Door Bezel	30 pound SC models; Black
	F170417-2	Door Bezel	Model HCD030LD2; Models through 1/10/10; Pantone 403
	F170417-3	Door Bezel	Model HCD030LD2; Models starting 1/11/10; Pantone 424
	F0170426-00	Door Bezel	40 and 60 pound SC models; Black
	F0170426-10	Door Bezel	Models HCD040LD2 and HCD060LD2; Models through 1/10/10; Pantone 403
	F0170426-30	Door Bezel	Models HCD040LD2 and HCD060LD2; Models starting 1/11/10; Pantone 424
10	F430174	Screw	
11	F8173801	Front Cabinet Brace	20 pound models
	F8173901	Front Cabinet Brace	30 pound models
	F8174001	Front Cabinet Brace	40 pound models
	F8174101	Lower Cabinet Brace	60 pound models

Front Panel, Control Panel and Control Panel Overlay - Card Ready Models

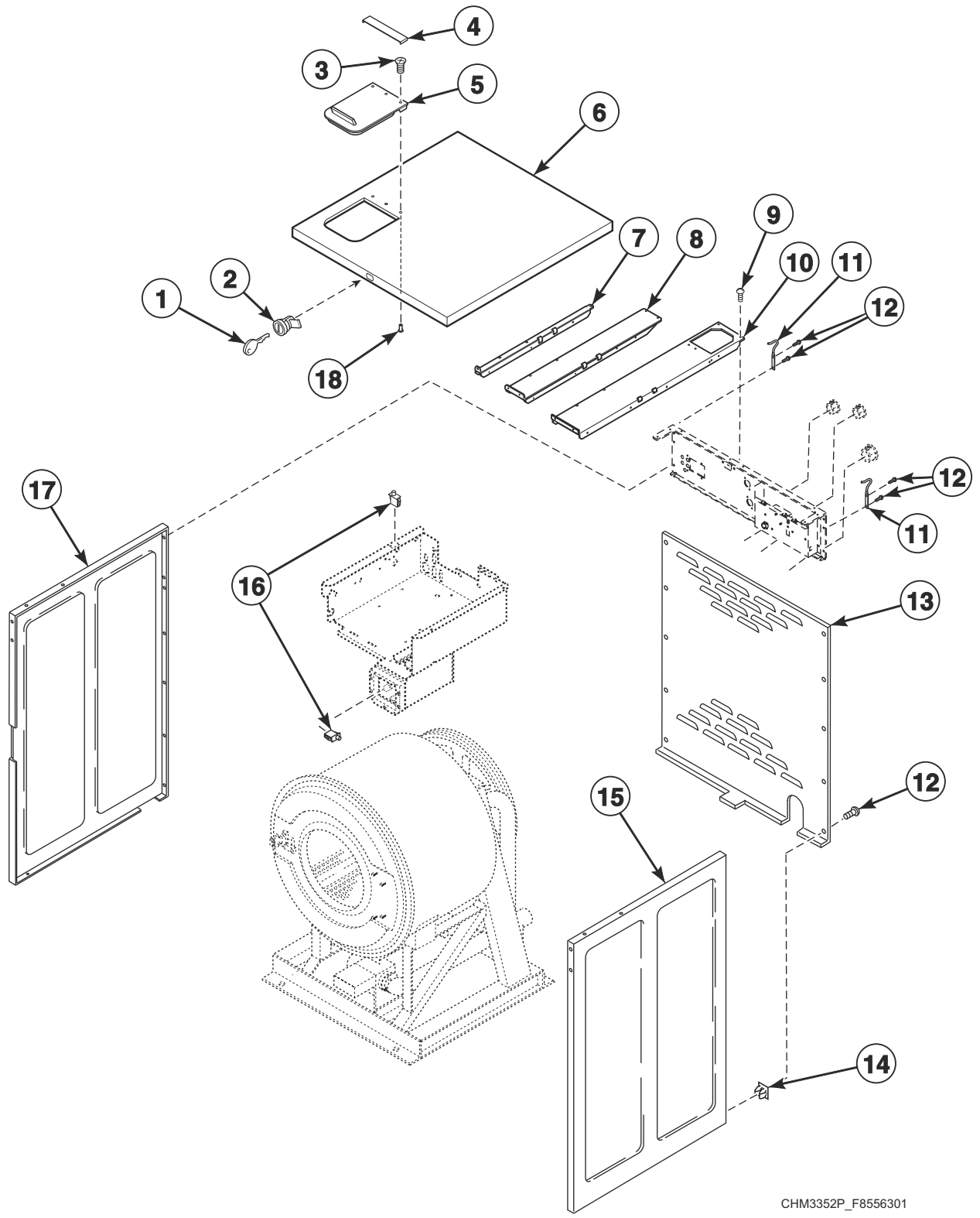


CHM3197P_F8556301

Front Panel, Control Panel and Control Panel Overlay - Card Ready Models

REF	PART NO.	DESCRIPTION	COMMENTS
1	F8117601	Screw	
2	F8171302P	Front Panel	20 pound models; Stainless steel
	F8173002P	Front Panel	30 pound models; Stainless steel
	F8173102P	Front Panel	40 pound models; Stainless steel
	F8173202P	Front Panel	60 pound models; Stainless steel
3	F8445803	Overlay	
	F8445903	Overlay	
	F8446003	Overlay	
	F8446103	Overlay	
4	70030501	Expansion Clip	
5	F8186702	Gusset Plate	
6	F8038504	Control Panel Assembly	20 pound models
	F8038604	Control Panel Assembly	30 pound models
	F8038704	Control Panel Assembly	40 pound models
	F8038804	Control Panel Assembly	60 pound models
7	F8201001	Top Cover Latch	
8	F8186701	Gusset Plate	
9	F170416-1	Door Bezel	20 pound models; Black
	F170417-1	Door Bezel	30 pound models; Black
	F0170426-00	Door Bezel	40 and 60 pound models; Black
10	F430174	Screw	
11	F8173801	Front Cabinet Brace	20 pound models
	F8173901	Front Cabinet Brace	30 pound models
	F8174001	Front Cabinet Brace	40 pound models
	F8174101	Lower Cabinet Brace	60 pound models

Panels

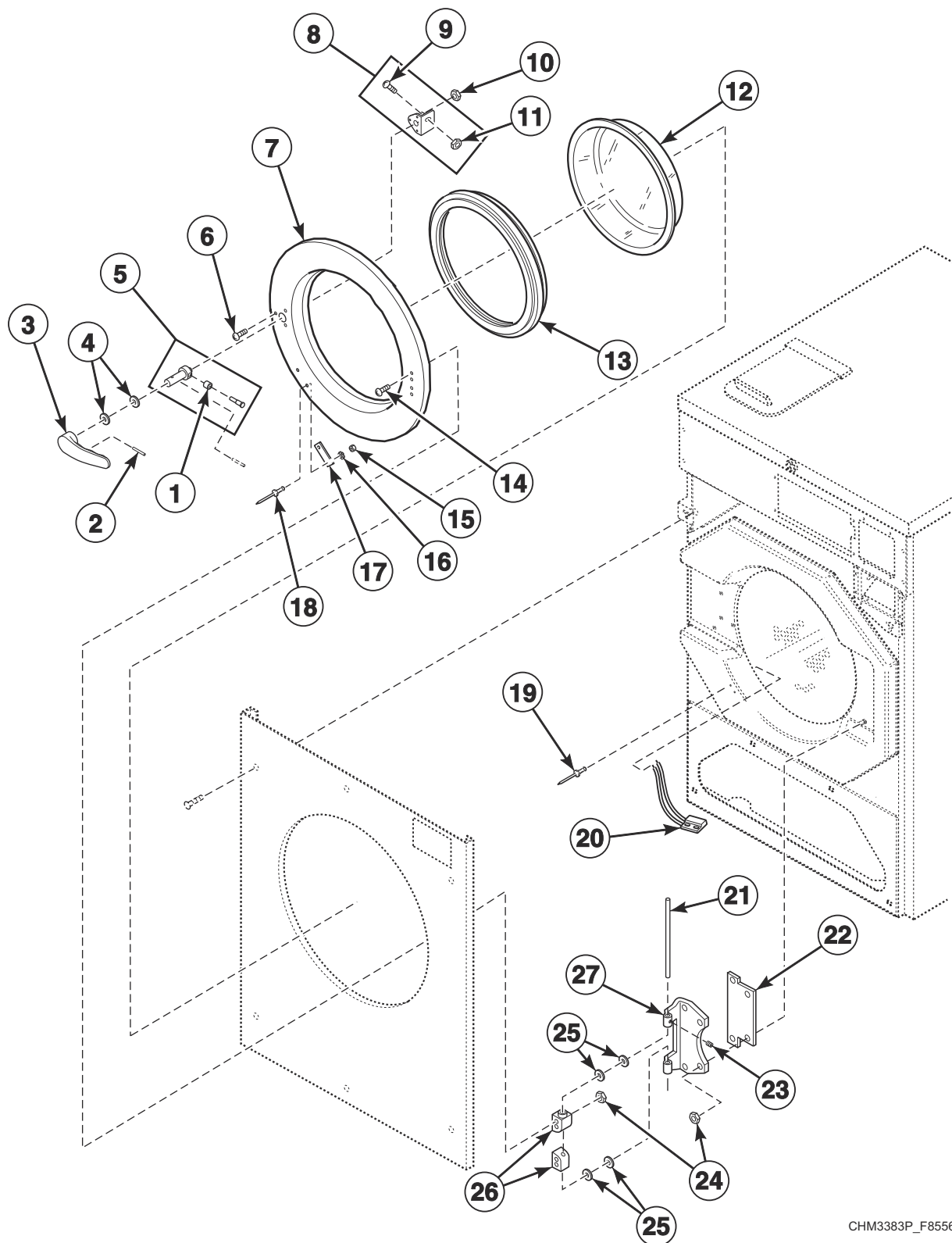


CHM3352P_F8556301

Panels

REF	PART NO.	DESCRIPTION	COMMENTS
1	70155603	Key	RL003
2	44089303P	Panel Lock	
3	F8230601	Screw	
4	F8091701	Lid Clamp	
5	F8048101	Dispenser Lid	Gray
6	F8040201	Top Cover	20 pound models
	F8017401	Top Cover	30 pound models
	F8040301	Top Cover	40 pound models
	F8040401P	Top Cover	60 pound models
7	F8043501	Top Cabinet Brace	20 pound models
8	F8043701	Top Cabinet Brace	30 pound models
9	430497	Screw	
10	F8043801	Top Cabinet Brace	40 pound models
	F8043901	Top Cabinet Brace	60 pound models
11	F8258601	Top Cover Hinge	
12	F8206901	Screw	
13	F8176201P	Rear Panel	20 pound models
	F8176301	Rear Panel	30 pound models
	F8177701P	Rear Panel	40 pound models
	F8177501P	Rear Panel	60 pound models
14	70030501	Expansion Clip	
15	F8042901P	Right Side Panel	20 pound models; Vinyl
	F8043101P	Right Side Panel	30 pound models; Vinyl
	F8043201P	Right Side Panel	40 pound models; Vinyl
	F8043301P	Right Side Panel	60 pound models; Vinyl
16	70413301	Pushbutton Switch	
17	F8042902P	Left Side Panel	20 pound models; Vinyl
	F8043102P	Left Side Panel	30 pound models; Vinyl
	F8043202P	Left Side Panel	40 pound models; Vinyl
	F8043302P	Left Side Panel	60 pound models; Vinyl
18	F8230501	Bolt	

Door



CHM3383P_F8556301

Door

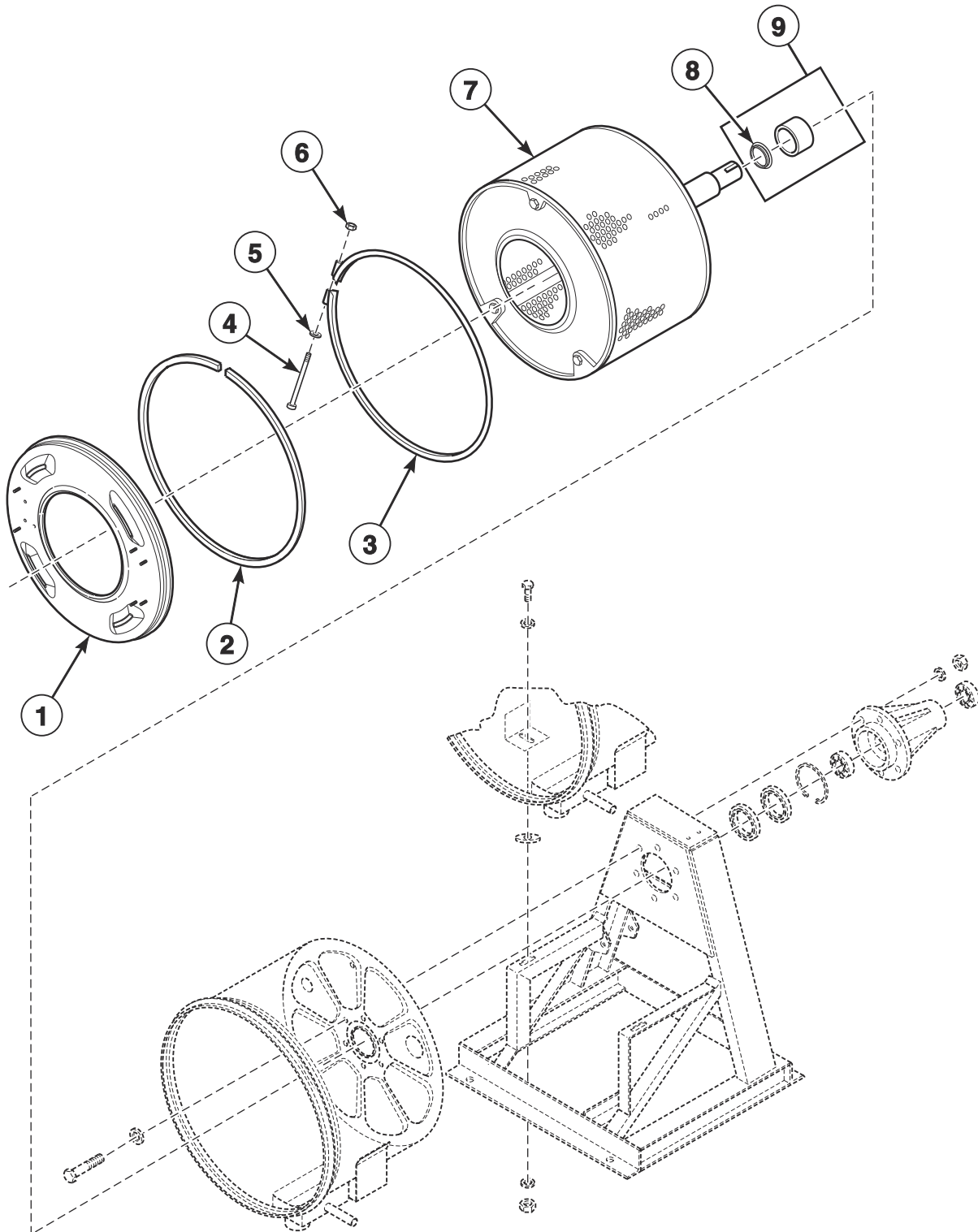
REF	PART NO.	DESCRIPTION	COMMENTS
	F8187204	Door Assembly	Models HCD020LC2 and HCD020LD2; Black; Includes items 1-14, 16-18 and 21-27
	F8187203	Door Assembly	Model HCL020LD2; Gray; Includes items 1-14, 16-18 and 21-27
	F8187304	Door Assembly	Model HCD030LD2; Black; Includes items 1-14, 16-18 and 21-27
	F8187404	Door Assembly	Models HCD040LD2 and HCD060LD2; Black; Includes items 1-14, 16-18 and 21-27
	F8187202	Door Assembly	20 pound SC models; Black; Includes items 1-14, 16-18 and 21-27
	F8187302	Door Assembly	30 pound SC models; Black; Includes items 1-14, 16-18 and 21-27
	F8187402	Door Assembly	40 and 60 pound SC models; Black; Includes items 1-14, 16-18 and 21-27
1	F8221701	Bearing Sleeve	
2	F431222	Spring Pin	
3	F8199401P	Door Handle	
4	F431916	Washer	
5	F8221403	Door Latch Arm Assembly	
6	F8535501	Screw	
7	F0602431-02	Door	20 pound models
	F0602837-02	Door	30 pound models
	F602842-2	Door	40 and 60 pound models
8	F8567501	Door Handle Spacer Kit	
9	F430523	Screw	
10	F430232	Nut	
11	F431041	Nut	
12	F290205P	Door Glass Kit	20 pound SC models; 20 pound HC models through 1/10/10
	F8341701	Door Glass	20 pound HC models; Models starting 1/11/10
	F8485301P	Door Glass	30 pound SC models; Model HCD030LD2 through 1/10/10
	F8485302	Door Glass	Model HCD030LD2; Model starting 1/11/10
	F8485401P	Door Glass	40 and 60 pound SC models; 40 and 60 pound HC models through 1/10/10
	F8485405	Door Glass	40 and 60 pound HC models starting 1/11/10
13	F200000202	Door Gasket	20 pound SC models; Black
	F8111602	Door Gasket	30 pound SC models; Black
	F8111502	Door Gasket	40 and 60 SC pound models; Black
	F200000200	Door Gasket	20 pound HC models; Gray
	F8111601	Door Gasket	30 pound HC models; Gray
	F170124	Door Gasket	40 and 60 HC pound models; Gray
14	F430947	Screw	
15	F431022	Nut	
16	F431133	Washer	
17	F8390801	Magnet	
18	F431223	Pop Rivet	
19	F8245101	Blind Rivet	
20	F8066802	Reed Switch Assembly	
21	F602813-2	Rod	20 and 30 pound models
	F602813-3	Rod	40 and 60 pound models
22	F200131000P	Door Hinge Shim Kit	
23	F430536	Screw	
24	F430215	Nut	
25	F431929	Washer	
26	F150271	Door Mount	
27	F190216P	Door Hinge	

Door Lock

REF	PART NO.	DESCRIPTION	COMMENTS
	F8340501	Door Lock Assembly	Includes F8340001 External Door Lock Harness; Models starting 11/1/10
	F977P3	Door Lock Solenoid Replacement Kit	Includes item 1
	N/A	External Door Lock Harness	Includes F8224201 Solenoid; Models through 10/31/10; Order F977P3 Door Lock Solenoid Replacement Kit
	F8340001	External Door Lock Harness	Models starting 11/1/10; Models through 10/31/10; Order F977P3 Door Lock Solenoid Replacement Kit
	F8626501	Door Lock Assembly Kit	Includes items 12, F8340501 Door Lock Assembly, F8567501 Door Handle Spacer Kit, F8221401 Door Latch Arm Assembly, F431222 Spring Pin and F8359401 Harness
1	F8630601	Solenoid	Models through 10/31/10 order F977P3 Door Lock Solenoid Replacement Kit
2	F430225	Nut	
3	F200203200	Door Lock Microswitch	
4	F431901	Spacer	
5	F320200	Door Lock Splash Shield	
6	F8223202	Door Lock Plate Assembly	
7	F430977	Screw	
8	F8059701	Door Lock Plate Shim	Models through 9/25/09
	F8344401	Door Lock Plate Shim	Models starting 9/26/09
9	F430956	Screw	
10	F8245001	Door Lock Cover	
11	F8484401	Shim	Models through 9/19/14 with F8567501 Door Handle Spacer Kit
12	F8223601	Door Lock Catch	Models through 10/31/10
	F8344501	Door Lock Catch	Models starting 11/1/10
13	F8270701	Bolt	
14	F430264	Nut	
15	F8223401	Door Lock Switch Lever	
16	F8070301	Torsion/Door Lock Spring	
17	F430232	Nut	
18	F431902	Washer	

N/A = Part no longer available

Shell Front and Basket

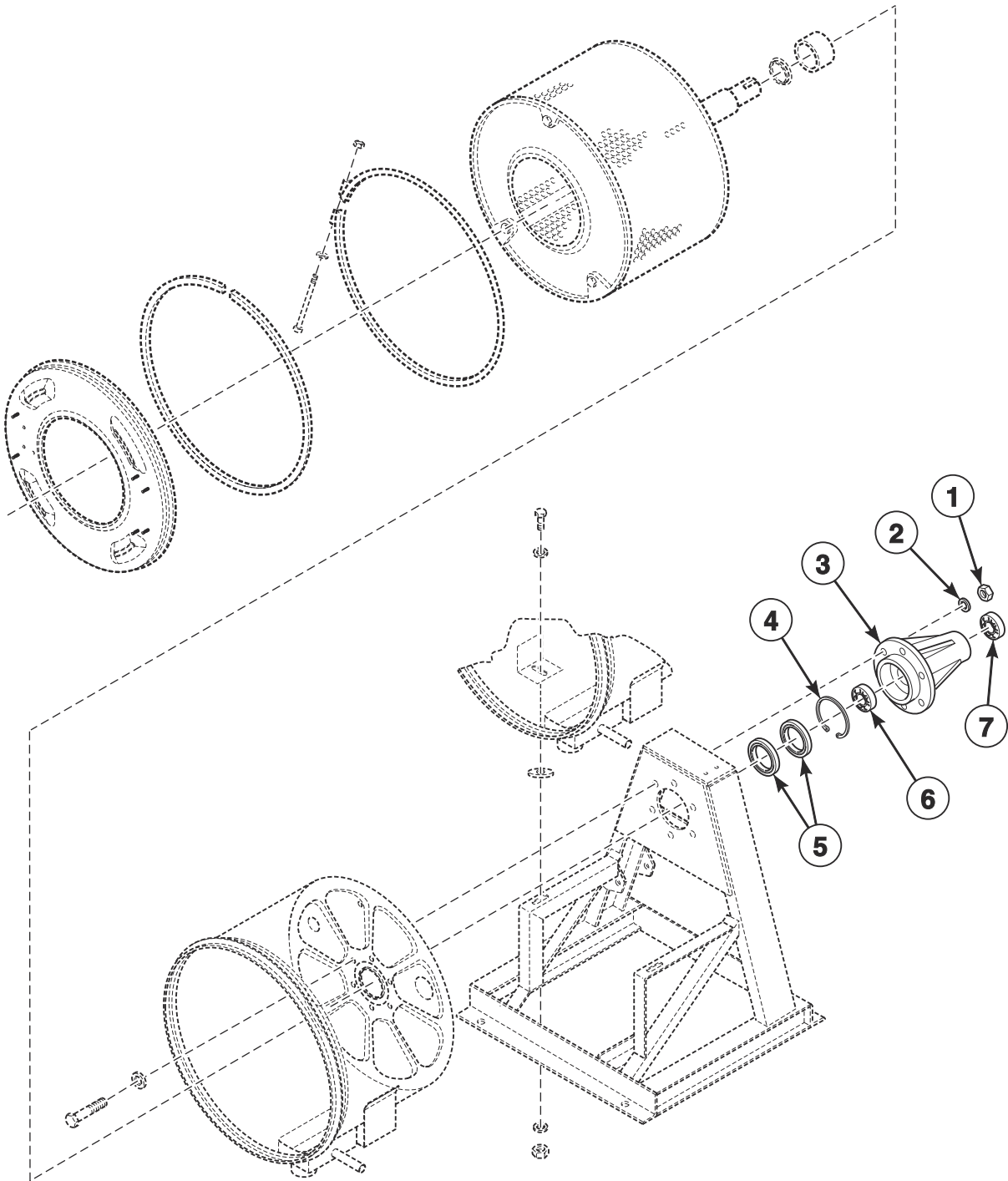


CHM3153P_F8556301

Shell Front and Basket

REF	PART NO.	DESCRIPTION	COMMENTS	
	389P4	Basket Tool Kit	Purchase; Use with F935P3, F936P3, F938P3 and F939P3 Pressfit Upgrade Kits; Requires F460129P Bearing Puller Tool	
	390P4	Basket Rental Tool Kit	Use with F935P3, F936P3, F938P3 and F939P3 Pressfit Upgrade Kits; Requires F460129P Bearing Puller Tool	
	F460129P	Basket Puller Tool		
1	F8229401	Shell Front Assembly	20 pound models	
	F8229501	Shell Front Assembly	30 pound models	
	F8229601	Shell Front Assembly	40 pound models	
	F8229701	Shell Front Assembly	60 pound models	
2	F8513501	Shell Front Gasket Kit		
3	F8537801	Shell Band Kit	20 pound models	
	F8537802	Shell Band Kit	30 pound models	
	F8537803	Shell Band Kit	40 pound models	
	F8537804	Shell Band Kit	60 pound models	
4	F430518	Screw		
5	F430317	Washer		
6	F430215	Nut		
7	F935P3	Pressfit Upgrade Kit	20 pound models; Models through 3/31/10; Includes items 8, 9, F8347801 Basket Assembly and F747001 Trunnion Kit	
	F8391301P	Basket Assembly	20 pound models; Models that have been upgraded with F935P3 Pressfit Upgrade Kit or models starting 4/1/10; Includes items 8 and 9	
	F936P3	Pressfit Upgrade Kit	30 pound models; Models through 3/31/10; Includes items 8, 9, F8391501 Basket Assembly and F747002 Trunnion Kit	
	F8391501P	Basket Assembly	30 pound models; Models that have been upgraded with F936P3 Pressfit Upgrade Kit or models starting 4/1/10; Includes items 8 and 9	
	F938P3	Pressfit Upgrade Kit	40 pound models; Models through 3/31/10; Includes items 8, 9 and trunnion	
	F8391701P	Basket Assembly	40 pound models; Models that have been upgraded with F938P3 Pressfit Upgrade Kit or models starting 4/1/10; Includes items 8 and 9	
	F939P3	Pressfit Upgrade Kit	60 pound models; Models through 3/31/10; Includes items 8, 9 and trunnion	
	F8502801P	Basket Assembly	60 pound models; Models that have been upgraded with F939P3 Pressfit Upgrade Kit or models starting 4/1/10; Includes items 8 and 9	
	8	F8336801	Excluder Seal	20 pound models; Models that have been upgraded with F935P3 Pressfit Upgrade Kit or models starting 4/1/10
		F8336901	Excluder Seal	30 pound models; Models that have been upgraded with F936P3 Pressfit Upgrade Kit or models starting 4/1/10
F8337001		Excluder Seal	40 pound models; Models that have been upgraded with F938P3 Pressfit Upgrade Kit or models starting 4/1/10	
F8337101		Excluder Seal	60 pound models; Models that have been upgraded with F939P3 Pressfit Upgrade Kit or models starting 4/1/10	
9	F8343901P	Shaft Seal Sleeve Kit	20 pound models; Models that have been upgraded with F935P3 Pressfit Upgrade Kit or models starting 4/1/10; Includes item 8	
	F8312001P	Shaft Seal Sleeve	20 pound models; Models that have not been upgraded with F935P3 Pressfit Upgrade Kit or models through 3/31/10	
	F8343904P	Shaft Seal Sleeve Kit	30 pound models; Models that have been upgraded with F936P3 Pressfit Upgrade Kit or models starting 4/1/10; Includes item 8	
	F8312004P	Shaft Seal Sleeve	30 pound models; Models that have not been upgraded with F936P3 Pressfit Upgrade Kit or models through 3/31/10	
	F8343906P	Shaft Seal Sleeve Kit	40 pound models; Models that have been upgraded with F938P3 Pressfit Upgrade Kit or models starting 4/1/10; Includes item 8	
	F8312006P	Shaft Seal Sleeve	40 pound models; Models that have not been upgraded with F938P3 Pressfit Upgrade Kit or models through 3/31/10	
	F8343909P	Shaft Seal Sleeve Kit	60 pound models; Includes item 8	

Trunnion

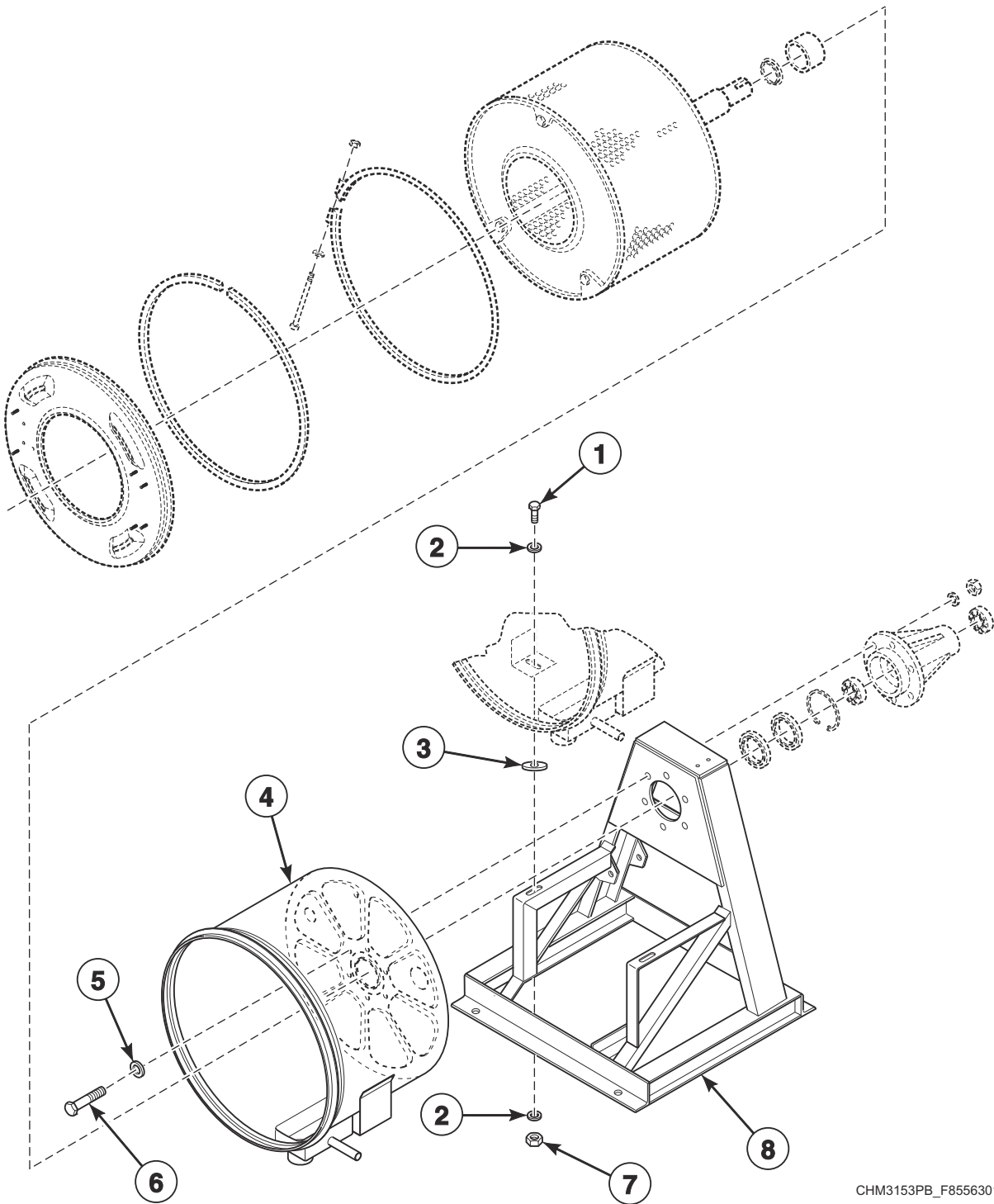


CHM3153PA_F8556301

Trunnion

REF	PART NO.	DESCRIPTION	COMMENTS
1	F430239	Nut	20 pound models
	F430240	Nut	All other models
2	F431128	Washer	20 pound models
	F431131	Washer	All other models
3	F747001	Trunnion Kit	20 pound models; Includes items 4-6
	F747002	Trunnion Kit	30 pound models; Includes items 4-6
	F747003	Trunnion Kit	40 pound models; Includes items 4-6
	F747005	Trunnion Kit	60 pound models; Includes items 4-6
4	F8344901	Retaining Ring	20 pound models; Models that have been upgraded with F935P3 Pressfit Upgrade Kit or models starting 4/1/10; Includes items 1, 2, 4-7, F430949 Screw, F792000 Shell Front Gasket Kit, F812P3 Hardware Kit, F8283401 Adhesive and F8345201 Bearing Housing
	F8345001	Retaining Ring	30 pound models; Models that have been upgraded with F936P3 Pressfit Upgrade Kit or models starting 4/1/10; Includes items 1, 2, 4-7, F430949 Screw, F792000 Shell Front Gasket Kit, F812P3 Hardware Kit, F8283401 Adhesive and F8345101 Bearing Housing
	F8337801	Retaining Ring	40 pound models; Models that have been upgraded with F938P3 Pressfit Upgrade Kit or models starting 4/1/10; Includes items 1, 2, 4-7, F430949 Screw, F792000 Shell Front Gasket Kit, F812P3 Hardware Kit, F8283401 Adhesive and F8335801 Bearing Housing
	F8337901	Retaining Ring	60 pound models; Models that have been upgraded with F939P3 Pressfit Upgrade Kit or models starting 4/1/10; Includes items 1, 2, 4-7, F430949 Screw, F792000 Shell Front Gasket Kit, F812P3 Hardware Kit, F8283401 Adhesive and F8337901 Bearing Housing
5	F8203801	Triple Lip Seal	20 pound models
	F8203802	Triple Lip Seal	30 pound models
	F8203803	Triple Lip Seal	40 pound models
	F8203806	Triple Lip Seal	60 pound models
6	F100137P	Bearing	20 and 40 pound models; 6308 2RS C3; Front
	F100123P	Bearing	30 pound models; 6309 2RS C3; Front
	F100135	Bearing	60 pound models; 6313 2RS C3; Front
7	F100136P	Bearing	20 pound models; 6307 2RS C3; Rear
	F100108	Bearing	30 pound models; Rear
	F100134	Bearing	40 and 60 pound models; 6310 2RS C3; Rear

Shell and Frame

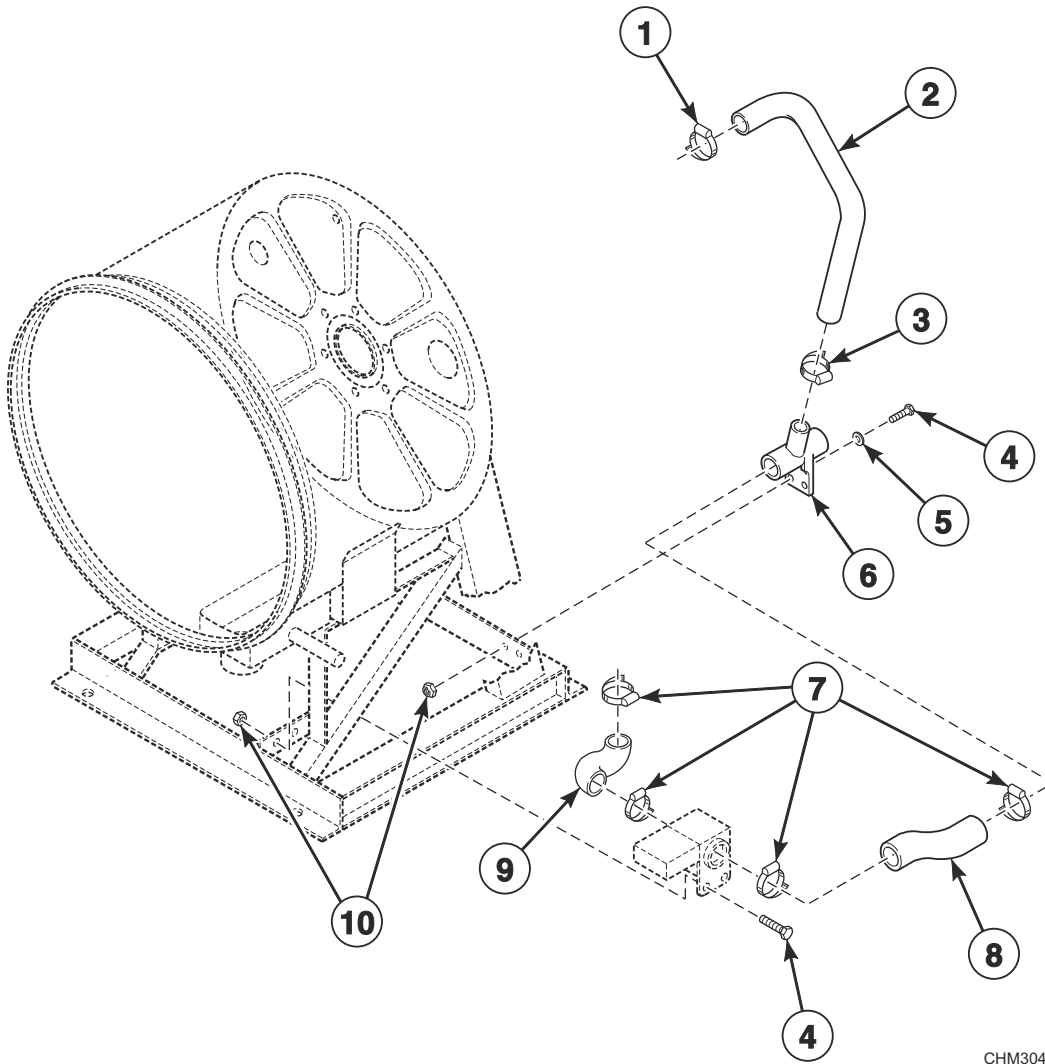


CHM3153PB_F8556301

Shell and Frame

REF	PART NO.	DESCRIPTION	COMMENTS
	1111P	Concrete Kit	5/8 inch
1	F430942	Screw	
2	M400081	Washer	
3	F430303	Washer	
4	F8179201	Shell Weldment	20 pound models; Standard
	F8179301	Shell Weldment	30 pound models; Standard
	F8179401	Shell Weldment	40 pound models; Standard
	F8179501	Shell Weldment	60 pound models; Standard
	F8179202	Shell Weldment	20 pound models; Electric and steam heat
	F8179302	Shell Weldment	30 pound models; Electric and steam heat
	F8179402	Shell Weldment	40 pound models; Electric and steam heat
	F8179502	Shell Weldment	60 pound models; Electric and steam heat
5	F431128	Washer	20 pound models
	F431131	Washer	All other models
6	F430949	Screw	20 pound models
	F8442702	Screw	All other models
7	F430218	Nut	
8	F8195901	Frame Weldment	20 pound models
	F8196001	Frame Weldment	30 pound models
	F8196101	Frame Weldment	40 pound models
	F8199101	Frame Weldment	60 pound models

Drain Plumbing

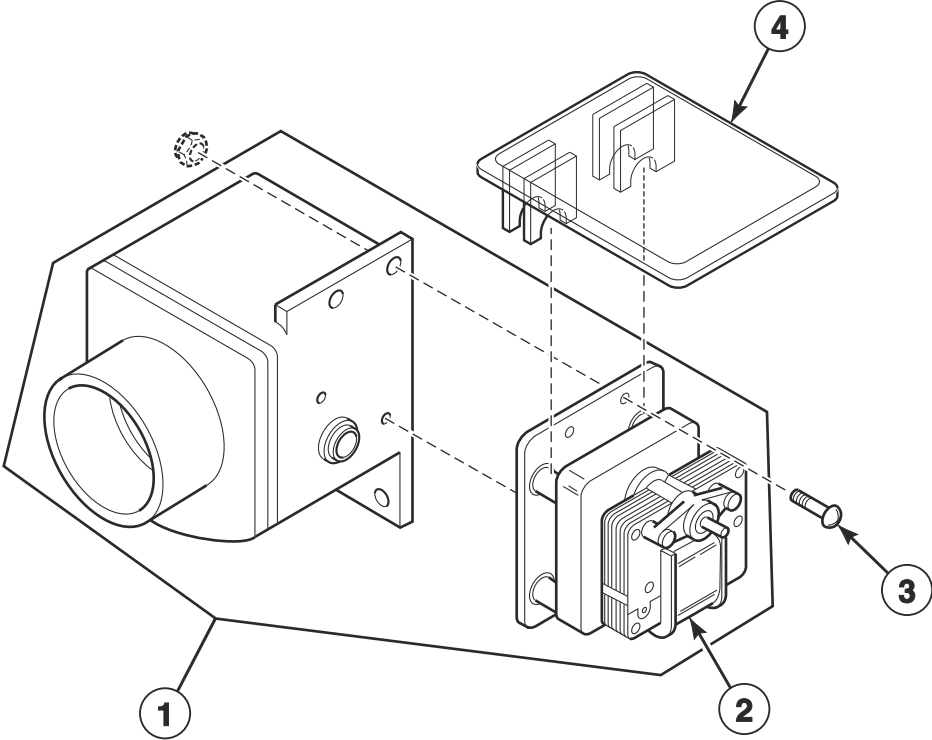


CHM3046P_F8556301

Drain Plumbing

REF	PART NO.	DESCRIPTION	COMMENTS
1	F200213	Hose Clamp	No. 40
2	F150308	Overflow Hose	20 and 30 pound models
	F0200238-00	Overflow Hose	40 pound models
	F8337701	Overflow Hose	40 pound models; Electric heat
	F150417	Overflow Hose	60 pound models
3	F200215	Hose Clamp	No. 28; 40 pound models
	F200213	Hose Clamp	No. 40; All other models
4	F430107	Screw	
5	F430317	Washer	
6	F150318	Drain Connect Tee	20 and 30 pound models
	F150398	Drain Tee	40 and 60 pound models
7	F200213	Hose Clamp	No. 40; 20 and 30 pound models
	F200201	Hose Clamp	No. 56; 40 and 60 pound models
8	F8233101	Drain Hose	20 pound models
	F8233102	Drain Hose	30 pound models
	F8231901	Drain Hose	40 pound models
	F8231902	Drain Hose	60 pound models
9	F8233001	Drain Hose	20 and 30 pound models
	F8232901	Drain Hose	40 and 60 pound models
10	F430215	Nut	

Drain Valve Assembly - 20 and 30 Pound Models

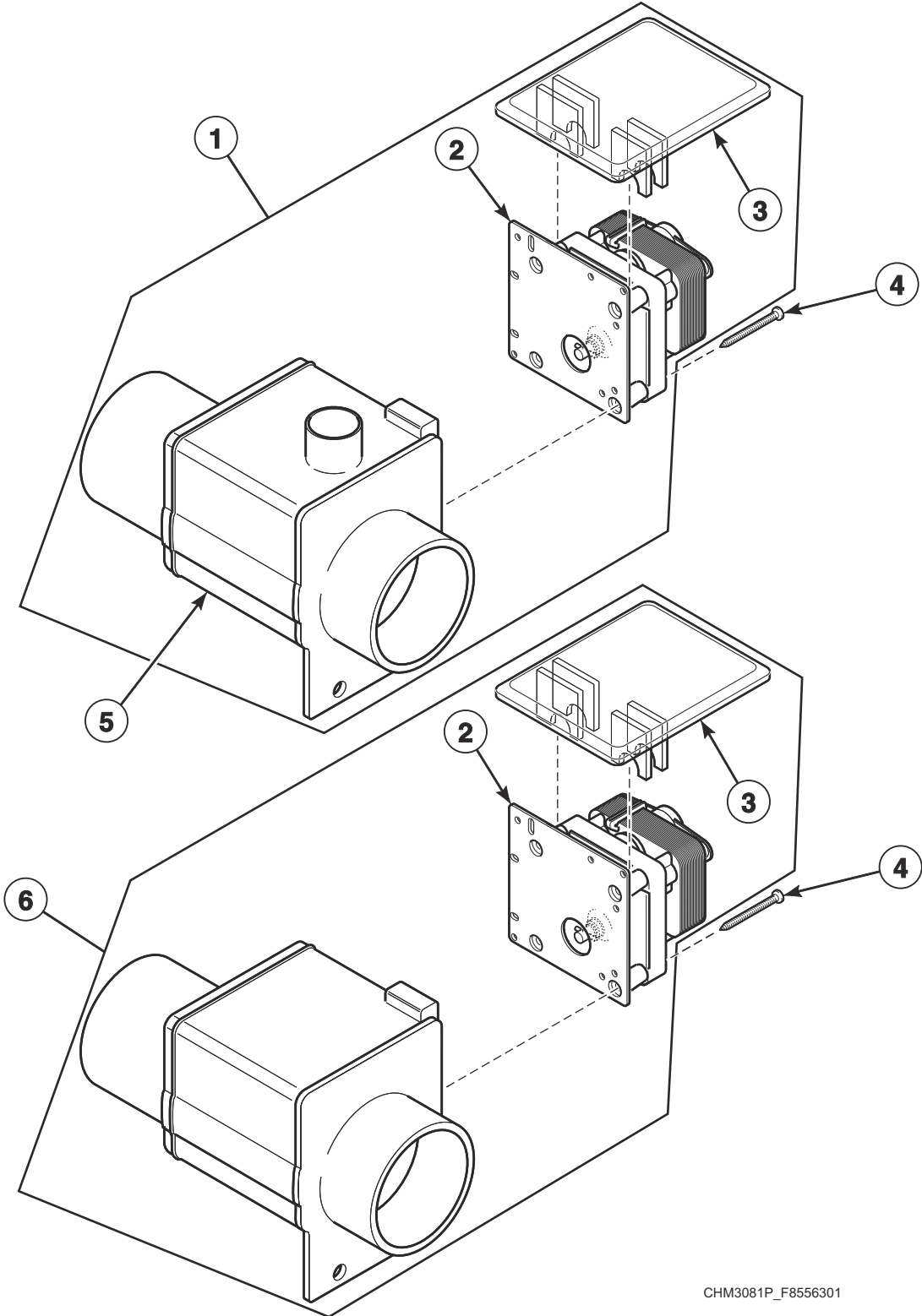


CHM2450P_F8556301

Drain Valve Assembly - 20 and 30 Pound Models

REF	PART NO.	DESCRIPTION	COMMENTS
	F8504601	Spring	Use with item 1
1	803292	Gravity Drain Valve	220 Volt
2	F380933P	Drain Valve Motor	Round shaft; 220 Volt
	F8618901P	Drain Valve Motor	Keyed shaft; 220 Volt
3	F200182700	Bolt	
4	F200133600	Drain Valve Cover	

Drain Valve Assembly - 40 and 60 Pound Models

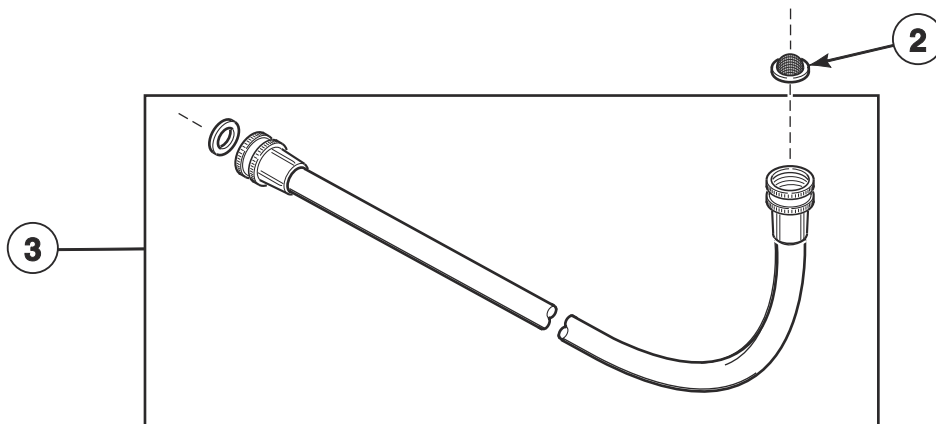
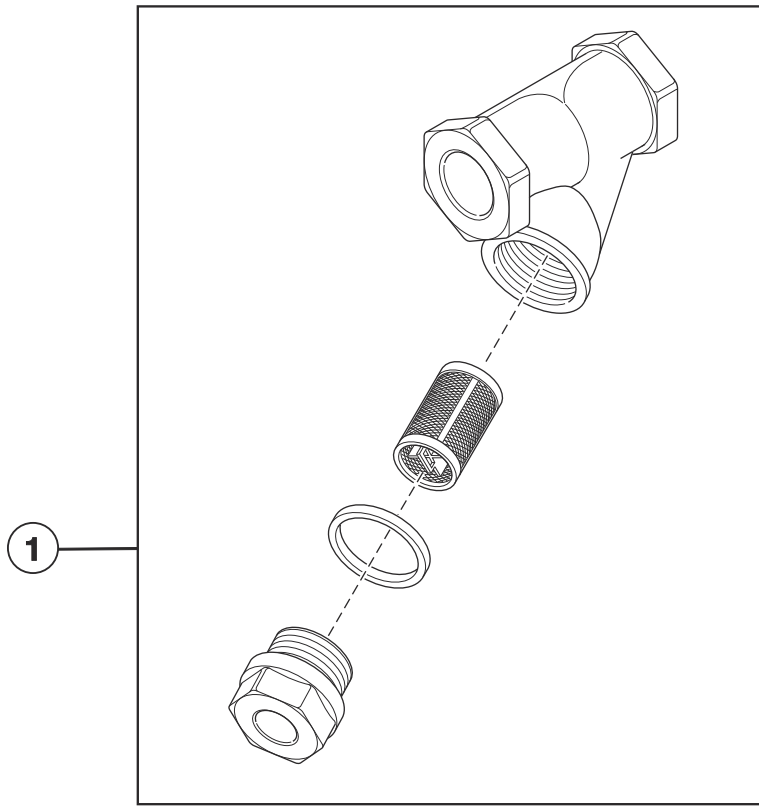


CHM3081P_F8556301

Drain Valve Assembly - 40 and 60 Pound Models

REF	PART NO.	DESCRIPTION	COMMENTS
	F200215	Hose Clamp	No. 28
	F150352	Overflow Plug	
1	F200166400	Drain Valve Kit	220 Volt; Electric and steam heat
2	F380933P	Drain Valve Motor	Round shaft; 220 Volt
	F8618901P	Drain Valve Motor	Keyed shaft; 220 Volt
3	F200133600	Drain Valve Cover	
4	F200182700	Bolt	
5	F8406303	Drain Valve	240 Volt; Electric and steam heat
6	F200166402	Drain Valve Kit	240 Volt

Steam Filter (Optional) and Water Supply Hose

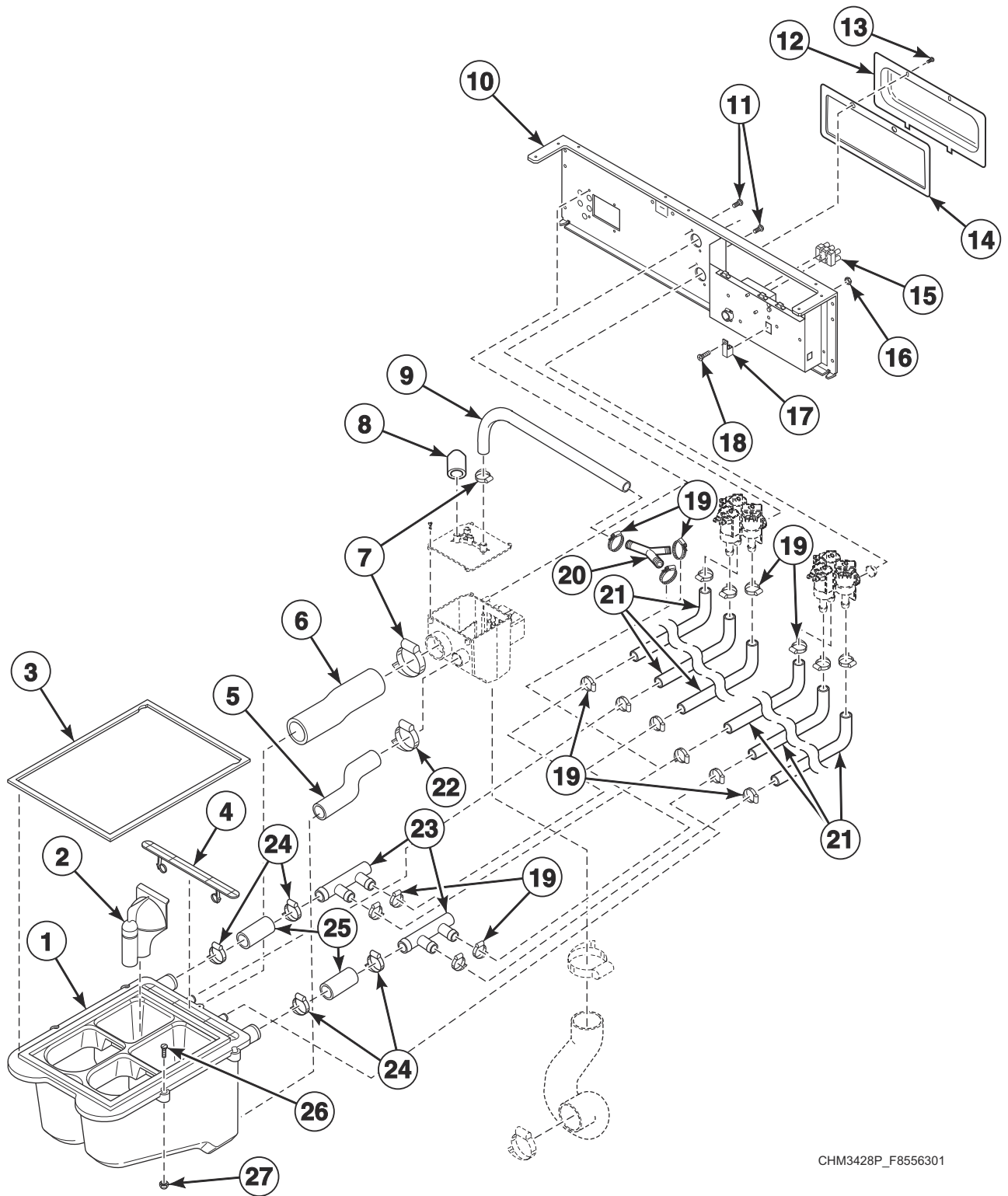


CHM3049P_F8556301

Steam Filter (Optional) and Water Supply Hose

REF	PART NO.	DESCRIPTION	COMMENTS
1	F270307	Steam Filter	1/2 inch
	F270308	Steam Filter	3/4 inch
2	803615	Washer	Filter
3	F200116	Water Hose	3/8 inch; Standard thread
	F200165	Water Hose	Metric thread

Fill Plumbing Assembly (Drawing 1 of 2)

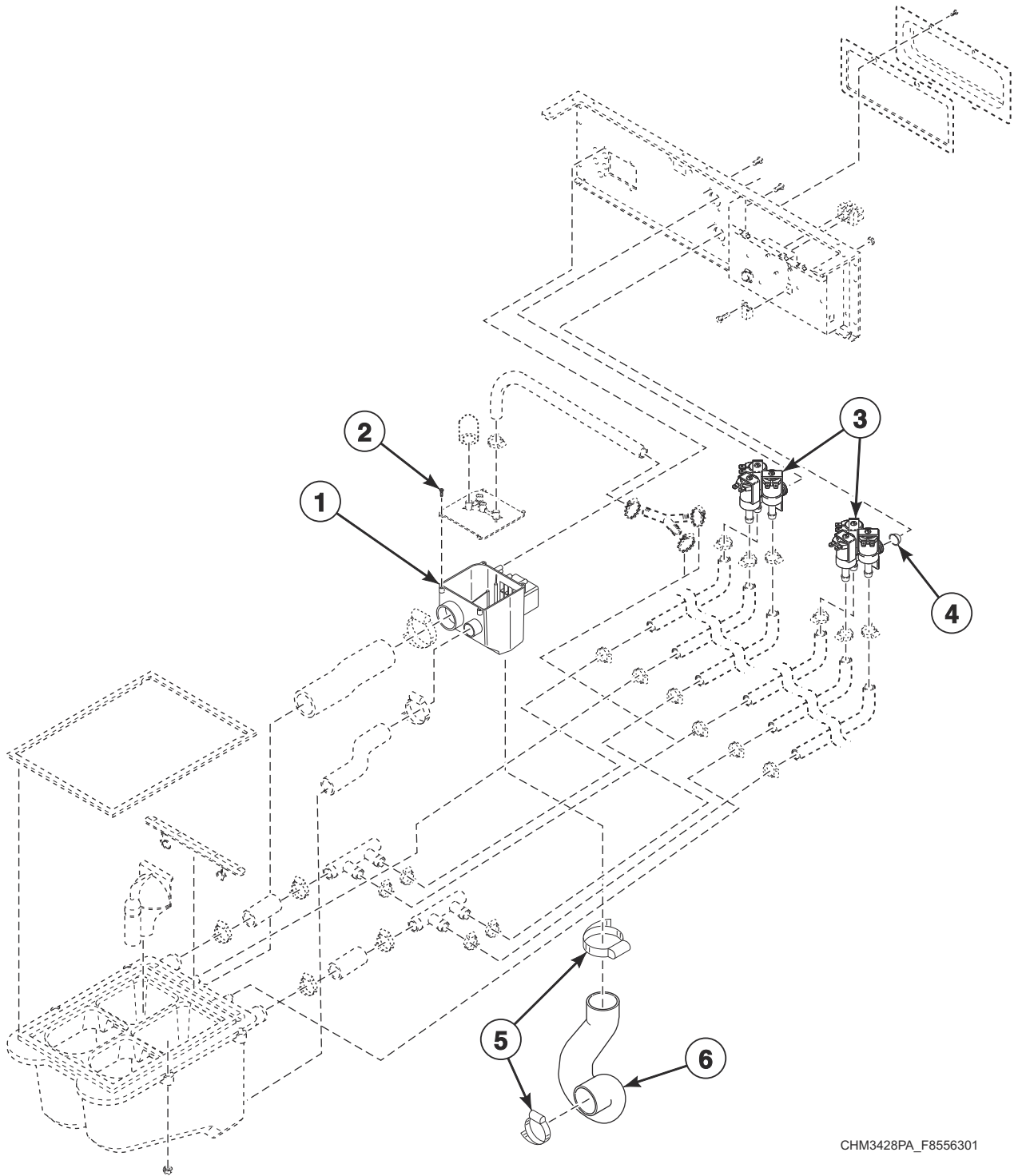


CHM3428P_F8556301

Fill Plumbing Assembly (Drawing 1 of 2)

REF	PART NO.	DESCRIPTION	COMMENTS
1	F8047401	Dispenser Assembly	Models through 10/15/12; Includes items 2 and 4
	F8047402	Dispenser Assembly	Models starting 10/16/12; Includes items 2 and 4
2	F8047901	Siphon Cover	
3	F8308301	Dispenser Gasket	
4	F8047801	Access Cover	
5	F8043401	Dispenser Overflow Hose	20 pound models
	F8043403	Dispenser Overflow Hose	30 pound models
	F8043404	Dispenser Overflow Hose	40 pound models
	F8043405	Supply Overflow Hose	60 pound models
6	F8042801	Vacuum Supply Hose	20 pound models
	F8042803	Vacuum Supply Hose	30 pound models
	F8042804	Vacuum Supply Hose	40 pound models
	F8042805	Vacuum Supply Hose	60 pound models
7	F200213	Hose Clamp	No. 40
8	F8197701	Cap	Vinyl
9	F0200244-01	Vacuum Breaker Hose	60 pound models
	F0200244-02	Vacuum Breaker Hose	All other models
10	F8039901	Valve Panel	20 pound models
	F8017501	Valve Panel	30 pound models
	F8039601	Valve Panel	40 pound models
	F8039801	Valve Panel	60 pound models
11	F8206901	Screw	
12	F8230301	Screw	
13	F8177001	Terminal Tray Cover	
14	F8230001	Terminal Tray Cover Gasket	
15	430642	Terminal Block	Includes screws
16	F430232	Nut	
17	M411283	Ground Lug Connector	
18	F430909	Screw	
19	36801	Hose Clamp	No. 8
20	F422816	Y Connector	
21	F8232004	Hose	20 pound models
	F8232001	Hose	30 pound models
	F8232002	Hose	40 and 60 pound models
22	20211	Hose Clamp	No. 17
23	F8333201	Manifold	
24	F200222	Hose Clamp	No. 12
25	F606816-1	Hose	
26	F0430268-00	Screw	
27	F0431807-00	Nut	

Fill Plumbing Assembly (Drawing 2 of 2)

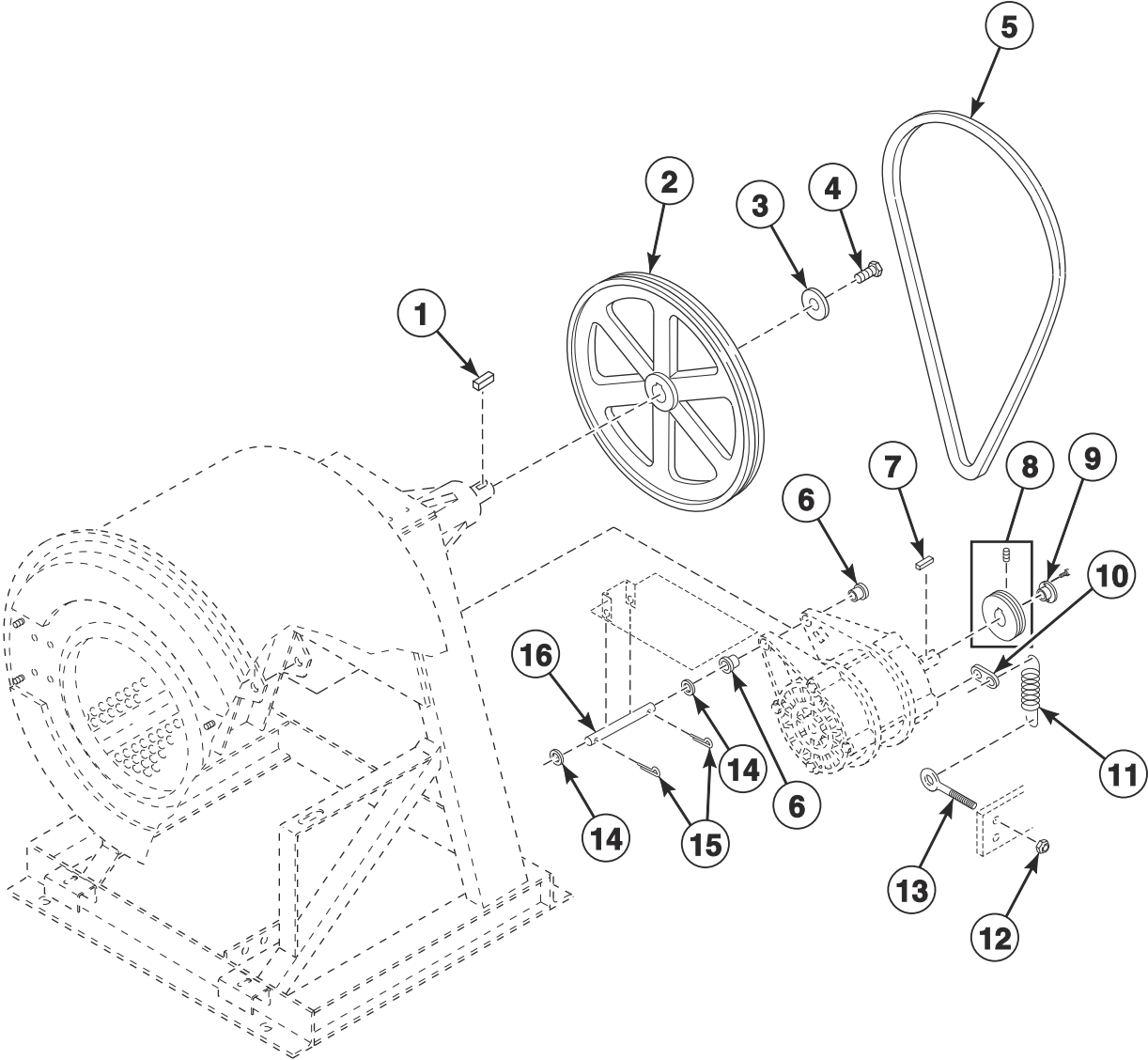


CHM3428PA_F8556301

Fill Plumbing Assembly (Drawing 2 of 2)

REF	PART NO.	DESCRIPTION	COMMENTS
	G582P3	Diaphragm and Guide Kit	Use with F8286401P 3-Way Valve and F8286402P 3-Way Valve
	395P4	Water Valve Tool	Elbi valves
	F8402201	Regulator	Use with F8286401P 3-Way Valve
1	F8048601	Vacuum Breaker Assembly	Includes item 2
2	800548	Screw	
3	F8286401P	3-Way Valve	240 Volt/50 or 60 Hertz; U.S.
	F8286402P	3-Way Valve	240 Volt/50 or 60 Hertz; Metric
4	803615	Washer	Filter
5	F200213	Hose Clamp	No. 40
6	F8042201	P-Trap Hose	20 pound models
	F8042202	P-Trap Hose	30 and 40 pound models
	F8042301	P-Trap Hose	60 pound models

Motor Mount, Pulleys and Belts

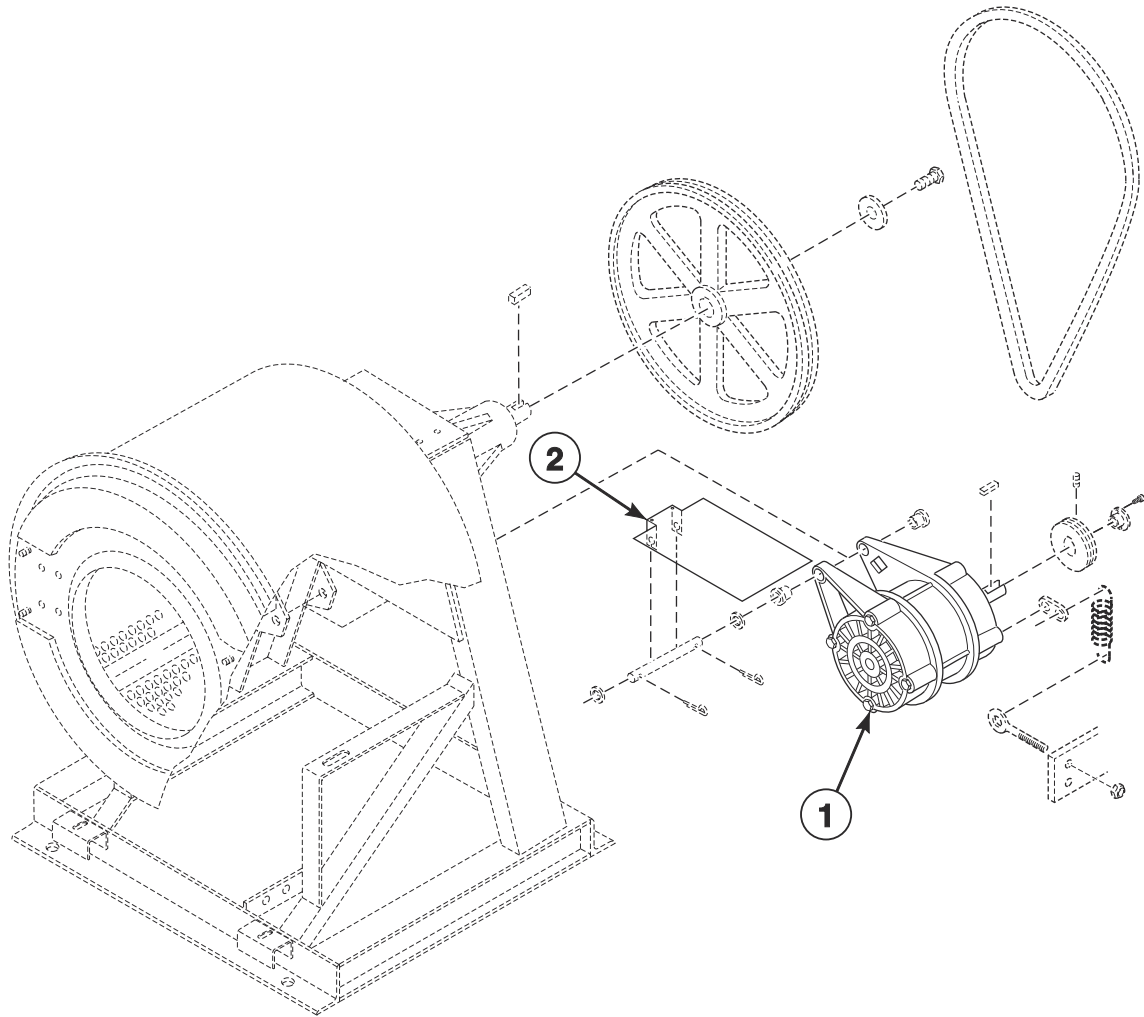


CHM3050P_F8556301

Motor Mount, Pulleys and Belts

REF	PART NO.	DESCRIPTION	COMMENTS	
1	F430801	Key		
2	F280168	Pulley	20 pound models; 13V1800	
	F280172	Sheave Pulley	30 pound 2 speed models; 13V2200	
	F280197	Pulley	40 pound 2 speed models; 23V2200	
	F150269	Basket Pulley	30 and 40 pound F and V-speed models	
	F280173	Pulley	60 pound 2 speed models; 23V2400	
	F200299700	Basket Pulley	60 pound F and V-speed models	
3	F431115	Washer		
4	F8574001	Screw		
5	F280343	Belt	20 pound 2 speed models; 3V730; C, J and O-voltage	
	F280337	Belt	20 pound 2 speed models; 3V710; B, F, O and Y-voltage	
	F8382801	Belt	20 pound F and V-speed models; 690J4; X-voltage	
	F280321	Belt	30 pounds 2 speed models; 3V800; C, F, J, O and Y-voltage	
	F280368P	Belt	30 pound F and V-speed models; 785J4; X-voltage	
	F280341	Belt	40 pound 2 speed models; 3V850; C and J-voltage	
	F280342	Belt	40 pound 2 speed models; 3V830; F, O and Y-voltage	
	F280369P	Belt	40 pound F and V-speed models; 820J6; X-voltage	
	F280373	Belt	60 pound 2 speed models; 3V90.65; C and J-voltage	
	F280304	Belt	60 pound 2 speed models; 3V900; O-voltage	
	F280366P	Belt	60 pound F and V-speed models; 870J6; X-voltage	
	6	F200186100	Motor Support Bushing	
7	F430801	Key	30 pound models	
	F430802	Key	All other models	
8	F280427P	Pulley	20 pound 2 speed models; 1GR3V3.15JA; Requires item 9; C and J-voltage	
	F280170	Sheave Pulley	20 pound 2 speed models; 1GR3V2.65; B, F, O and Y-voltage	
	H87520334	Sheave	30 pounds 2 speed models; 1GR3V3.35JA; Requires item 9; C and J-voltage	
	F280284	Pulley	30 pounds 2 speed models; 1GR3V2.9; F and O-voltage	
	F280281	Motor Pulley	30 pounds 2 speed models; 1GR3V3.0; Y-voltage	
	F280172	Sheave Pulley	30 pounds 2 speed models; 1GRV3V22.00; C, F, J, O and Y-voltage	
	F280197	Pulley	40 pound 2 speed models; 2GRV3V22.00; C, J, O and Y-voltage	
	F280105P	Pulley	40 pound 2 speed models; 2GR3V3.35SH; Requires item 9; C and J-voltage	
	F0280385-00	Sheave	40 and 60 pound models 2 speed models; 2GR3V3.00; F, O and Y-voltage	
	F280422P	Pulley	60 pound 2 speed models; 2GR3V3.365SH; Requires item 9; C and J-voltage	
	F280173	Pulley	60 pound 2 speed models; 2GRV3V24.00; C, J and O-voltage	
	F280287P	Sheave Kit	X-voltage	
	9	H87529111P	Bushing	20 and 30 pound models; JA 5/8; C and J-voltage
		M412995P	Bushing	40 and 60 pound models; SH 7/8; C and J-voltage
10	F633374	Spring Clip		
11	F310124	Extension Spring	20 and 30 pound models; 40 and 60 pound 2 speed models	
	F310148	Tension Spring	40 and 60 pound F and V-speed models; X-voltage	
12	F430218	Nut		
13	F430537	Screw	40 and 60 pound F and V-speed models; X-voltage	
14	901690	Washer		
15	F430401	Cotter Pin		
16	F602844	Motor Support Rod	20 pound models; 30 pounds 2 speed models	
	F603059	Motor Support Rod	30 pound F and V-speed models; 40 pound models	
	F603897	Motor Support Rod	60 pound models	

Motor - 20 and 30 Pound Models



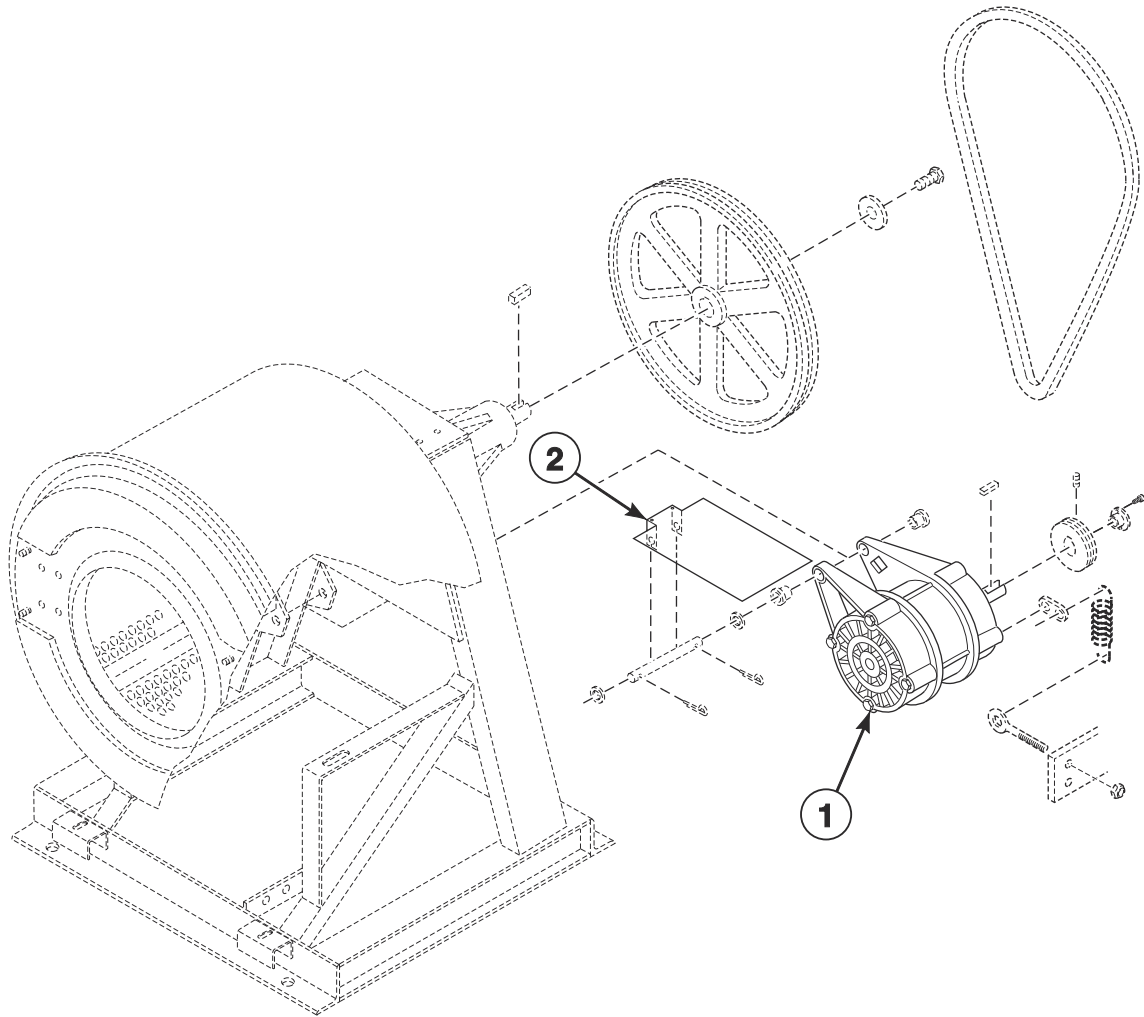
CHM3050PA_F8556301

Motor - 20 and 30 Pound Models

REF	PART NO.	DESCRIPTION	COMMENTS
1	F8328901P	Motor Conversion Kit	20 pound F and V-speed models; Replaces F220393 Motor on models through 3/1/10; X-voltage; Includes F8328901 Motor; **
	F8329001P	Motor Conversion Kit	30 pound F and V-speed models; Replaces F220395 Motor on models through 3/2/10; X-voltage; Includes F8329001 Motor; **
	F8411501	Motor Conversion Kit	20 pound 2 speed models before 6/2009; Replaces F022012800P Motor; Y-voltage
	F8329401P	Motor	20 pound 2 speed models; Replaces F022032500P and F220325-H Motors; C and F-voltage; Includes motor support bushing
	F8597401P	Motor	20 pound 2 speed models; Models starting 5/2009; Models converted with F8411501 Motor Conversion Kit; Y-voltage
	F8597402P	Motor	20 pound 2 speed models; Models through 3/1/10; B-voltage; Includes motor support bushing; Replaces F8329601P Motor
	F8329301P	Motor	20 pound 2 speed models; Replaces F022039600 and F200396-H Motors on models through 7/25/10; All other models starting 7/26/10; O-voltage; Includes motor support bushing
	F022012800P	Motor	20 pound 2 speed models; Use with F220128-H Motor; Y-voltage; Includes F200186100 Motor Support Bushing
	F8329801P	Motor	30 pound 2 speed models; Replaces F220388-H and F022038800 Motor; C-voltage; Includes motor support bushing
	F8329701P	Motor	30 pound 2 speed models; Replaces F220387-H and F022038700 Motor; J, K and O-voltage; Includes motor support bushing
	F8597501P	Motor	30 pound 2 speed models; Replaces F220124-H and F022012400 Motor; Y-voltage; Includes motor support bushing
2	F200216900	Motor Drip Shield	

**** NOTE: AC drive parameters must be compatible with the motor and motor pulley. Please request the AC drive parameter illustration for parameter verification when ordering a motor.**

Motor - 40 and 60 Pound Models



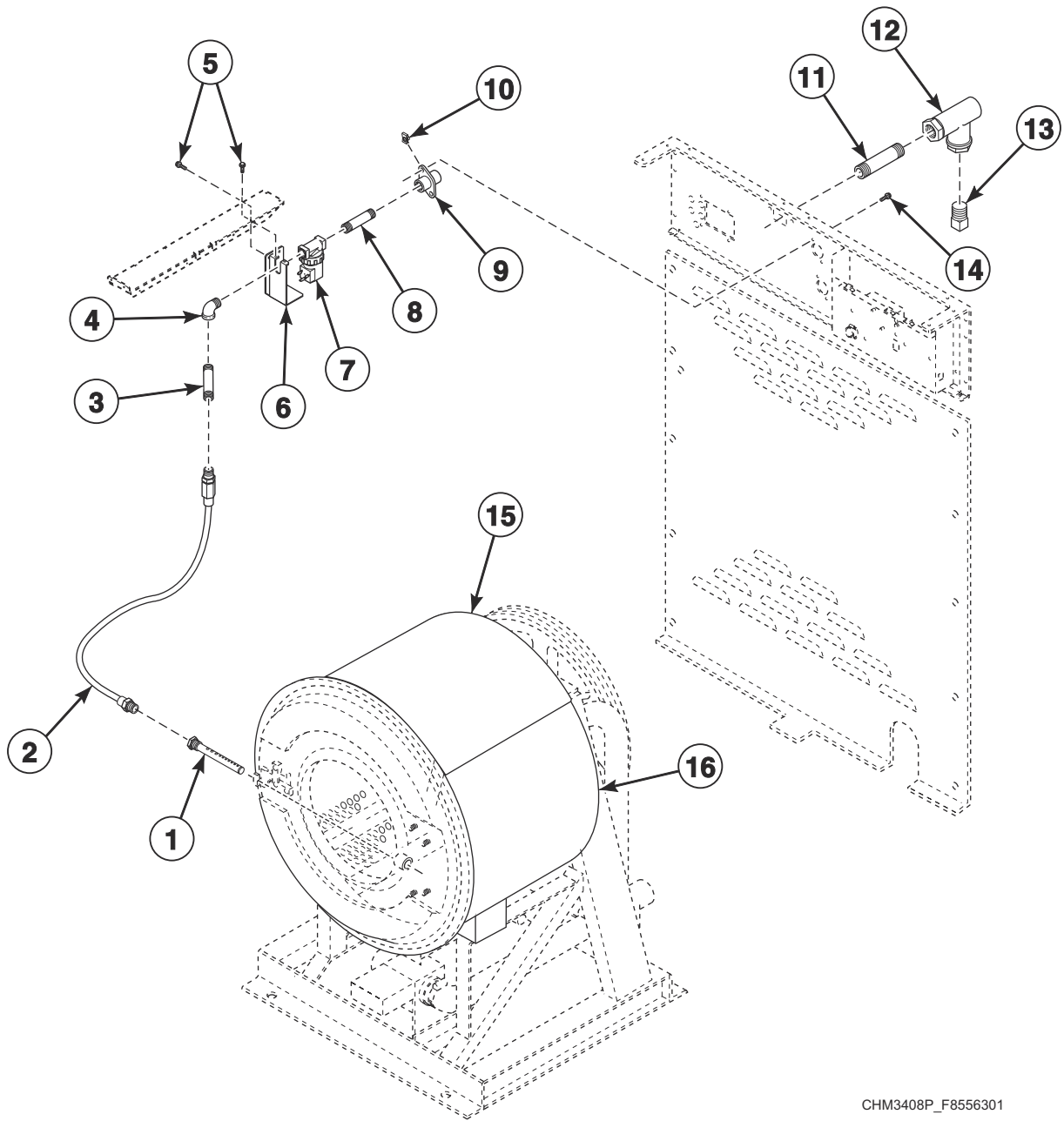
CHM3050PA_F8556301

Motor - 40 and 60 Pound Models

REF	PART NO.	DESCRIPTION	COMMENTS
1	F8329101P	Motor Conversion Kit	40 pound F and V-speed models; Replaces F220394 Motor on models through 6/20/10; X-voltage; Includes F8329101 Motor; **
	F8329201P	Motor Conversion Kit	60 pound F and V-speed models; Replaces F220234 Motor on models through 9/15/10; X-voltage; Includes F8329201 Motor; **
	F8597802P	Motor	40 pound 2 speed models; Replaces F220326-H and F022032600P Motors; C-voltage; Includes motor support bushing
	F8597801P	Motor	40 pound 2 speed models; Replaces F0220321-00 Motor on models through 7/25/10; All other models starting 7/26/10; O-voltage; Includes motor support bushing
	F8597502P	Motor	40 pound 2 speed models; Replaces F0220120-01 Motor on models through 12/31/10; All other models starting 1/1/11; Y-voltage; Includes motor support bushing; Replaces F8330201P Motor
	F8597803P	Motor	60 pound 2 speed models; Replaces F022032200 Motor on models through 10/31/10; All other models starting 11/1/10; J and O-voltage; Includes motor support bushing; Replaces F8330301P Motor
	F8597804P	Motor	60 pound 2 speed models; Replaces F220327P Motor on models through 4/27/10; All other models starting 4/28/10; C-voltage; Includes motor support bushing; Replaces F8330401P Motor
2	F200280700	Motor Drip Shield	40 and 60 pound 2 speed models
	F200216900	Motor Drip Shield	All other models

**** NOTE: AC drive parameters must be compatible with the motor and motor pulley. Please request the AC drive parameter illustration for parameter verification when ordering a motor.**

Steam Heat Option

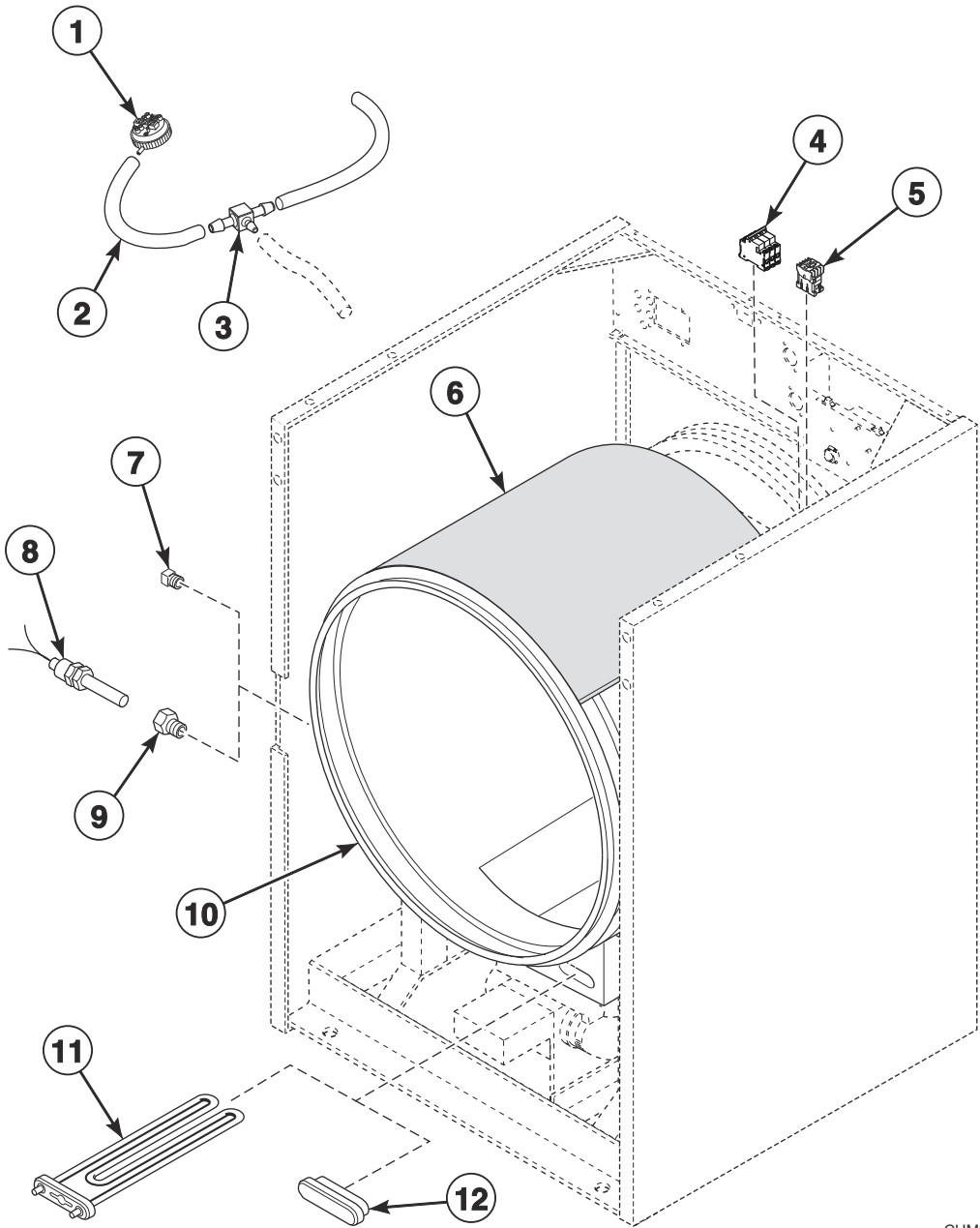


CHM3408P_F8556301

Steam Heat Option

REF	PART NO.	DESCRIPTION	COMMENTS
	F380984P	Steam Valve Repair Kit	Use with item 9
	F8514601P	Coil	Use with F8322801 Valve
	F8382301	DIN Valve Adapter Kit	Use with F8322801 Valve
	F8379501P	Valve Kit	Use with F8322801 Valve
1	F8368201	Steam Injector Tube Assembly	
2	F200197	Steam Hose	60 pound models
3	F8110601	Nipple	60 pound models
4	H86070034	Street Elbow	
5	430497	Screw	
6	F8490301	Steam Bracket	
7	F8322801P	Valve	Replaces F380787P Steam Valve; Includes F8514601 Coil; For models that have been upgraded with F8521801 DIN Valve Kit
	F8521801	DIN Valve Kit	Replaces F380787P Steam Valve; Includes F8322801P Valve, F8382301 DIN Valve Adapter Kit and F8514601 Coil
8	70263801	Pipe Nipple	
9	F8154501	Coupling	
10	70030401	Nut	
11	431486	Pipe Nipple	
12	F270307	Steam Filter	
13	F420409	Plug	
14	20253	Screw	
15	F410300	Pipe Insulation	
16	F8179202	Shell Weldment	20 pound models
	F8179302	Shell Weldment	30 pound models
	F8179402	Shell Weldment	40 pound models
	F8179502	Shell Weldment	60 pound models

Electric Heat Option



CHM3406P_F8556301

Electric Heat Option

REF	PART NO.	DESCRIPTION	COMMENTS
	F8056001	Jumper Wire	P-voltage models require 5; N-voltage models require 3
1	F8223001P	Water Pressure Switch	Heat safety
2	F8153901	Tubing	
3	F8246601	Tee	
4	70256901P	Circuit Breaker	
5	F330188P	Contactator	
6	F410300	Pipe Insulation	
7	F421507	Plug	
8	F370609	Thermistor Sensor	
9	F421936	Reducer Bushing	
10	F8179202	Shell Weldment	20 pound models
	F8179302	Shell Weldment	30 pound models
	F8179402	Shell Weldment	40 pound models
	F8179502	Shell Weldment	60 pound models
11	F360205P	Element	2.6 kW; 12 used in 20 and 30 pound models; 30 used in 40 and 60 pound models
12	F360202	Heating Element Plug	

Parts Index

A

Access Cover	
F8047801	53
Air Trap Hose	
F020014200	11, 13
Auxiliary Control Assembly	
F8189401P	11

B

Basket Assembly	
F8391301P	39
F8391501P	39
F8391701P	39
F8502801P	39
Basket Puller Tool	
F460129P	39
Basket Pulley	
F150269	57
F200299700	57
Basket Rental Tool Kit	
390P4	39
Basket Tool Kit	
389P4	39
Bearing	
F100108	41
F100123P	41
F100134	41
F100135	41
F100136P	41
F100137P	41
Bearing Sleeve	
F8221701	35
Belt	
F280304	57
F280321	57
F280337	57
F280341	57
F280342	57
F280343	57
F280366P	57
F280368P	57
F280369P	57
F280373	57
F8382801	57
Blind Rivet	
F8245101	35
Bolt	
F200182700	47, 49
F8230501	33
F8270701	37
Bushing	
H87529111P	57
M412995P	57

C

Cap	
F8197701	53
Capacitor	
F370218P	11
F370220	11
F370221	11
F8411701	11
F8411801	11
F8411901	11
Capacitor Tray Assembly	
F8199601	11
F8199901	11
Card Plate Assembly	
F8201501	25
Card Reader Overlay	
70334201	25
Circuit Breaker	
70256901P	65
Coil	
F8514601P	63
Coin Box	
F160672	27
Coin Chute	
F8170801	11, 13
Coin Drawer Assembly	
F8182001	27
Coin Drop	
70256402P	21
70441601P	19
Coin Drop Assembly	
210195	21
210196	21
38462P	19
38463	19
38464P	19
38472	21
38521	21
39157	21
70281102	21
Coin Identification Paper	
38725	19, 21, 23
Coin Meter	
F0160737-00	21
Coin Meter Assembly	
F200010000P	19
F200010001	21
F200010002	21
F200010003	21
F200010004	21
F200010005P	21
F200010006	19
F200010007	19
F200010008	21
F200010009	19
F200010010	21
F200010011	19
F200010012	19
F200021600P	23
Coin Vault Assembly	
F8182501	11, 13

N/A items do not appear in index.

F8182601	11, 13
Communication Board 210095P	17
Communication Connector 210099	17
Communication Harness 70338301P	17
Concrete Kit 1111P	43
Contactora F330177P	11
F330188P	65
Contactora Tray Assembly F8343401	11
Control Assembly Kit F980P3	11, 13
Control Panel Assembly F8038502	29
F8038504	31
F8038602	29
F8038604	31
F8038702	29
F8038704	31
F8038802	29
F8038804	31
Control Panel Overlay F8226902	29
Control Tray Assembly F8205902	11, 13
F8205903	11, 13
Control Tray Harness F8261501P	11, 13
Cotter Pin F430401	57
Coupling F8154501	63

D

Diaphragm and Guide Kit G582P3	55
DIN Rail F8200101	11
DIN Valve Adapter Kit F8382301	63
DIN Valve Kit F8521801	63
Dispenser Assembly F8047401	53
F8047402	53
Dispenser Gasket F8308301	53
Dispenser Lid F8048101	33
Dispenser Overflow Hose F8043401	53
F8043403	53
F8043404	53
Door F0602431-02	35
F0602837-02	35
F602842-2	35

Door Assembly F8187202	35
F8187203	35
F8187204	35
F8187302	35
F8187304	35
F8187402	35
F8187404	35
Door Bezel F0170426-00	29, 31
F0170426-10	29
F170416-1	29, 31
F170416-2	29
F170416-3	29
F170417-1	29, 31
F170417-2	29
F170417-3	29
Door Gasket F170124	35
F200000200	35
F200000202	35
F8111502	35
F8111601	35
F8111602	35
Door Glass F8341701	35
F8485301P	35
F8485302	35
F8485401P	35
F8485405	35
Door Glass Kit F290205P	35
Door Handle F8199401P	35
Door Handle Spacer Kit F8567501	35
Door Hinge F190216P	35
Door Hinge Shim Kit F200131000P	35
Door Latch Arm Assembly F8221403	35
Door Lock Assembly F8340501	37
Door Lock Assembly Kit F8626501	37
Door Lock Catch F8223601	37
F8344501	37
Door Lock Cover F8245001	37
Door Lock Microswitch F200203200	37
Door Lock Plate Assembly F8223202	37
Door Lock Plate Shim F8059701	37
F8344401	37
Door Lock Solenoid Replacement Kit F977P3	37
Door Lock Splash Shield F320200	37
Door Lock Switch Lever F8223401	37

N/A items do not appear in index.

Door Mount	
F150271	35
Drain Connect Tee	
F150318	45
Drain Hose	
F8231901	45
F8231902	45
F8232901	45
F8233001	45
F8233101	45
F8233102	45
Drain Tee	
F150398	45
Drain Valve	
F8406303	49
Drain Valve Cover	
F200133600	47, 49
Drain Valve Kit	
F200166400	49
F200166402	49
Drain Valve Motor	
F380933P	47, 49
F8618901P	47, 49

E

Earth Terminal Sticker	
M412096	9
Electric Shock Danger Label	
F8115501	9
Electronic Coin Drop Assembly	
70294103P	23
70294104	23
70294105P	23
70294106	23
70294107	23
70294109	23
70294111	23
70294119	23
70513311	23
Electronic Coin Drop Kit	
CK099	23
CK100	23
CK101	23
CK103	23
CK106	23
CK109	23
CK110	23
CK113	23
CK115	23
CK119	23
CK500	23
Element	
F360205P	65
EMI Filter	
F8053901P	15
F8053902	15
Ethernet Gateway Kit	
NK320	17
Excluder Seal	
F8336801	39
F8336901	39
F8337001	39
F8337101	39

Expansion Clip	
70030501	11, 13, 15, 29, 31, 33
Extension Spring	
F310124	57
External Door Lock Harness	
F8340001	37
External Supply Connection Decal	
F8150201	9
External Supply Harness	
F8191201P	11
External Supply Kit	
F937P3	11

F

Frame Weldment	
F8195901	43
F8196001	43
F8196101	43
F8199101	43
Front Cabinet Brace	
F8173801	29, 31
F8173901	29, 31
F8174001	29, 31
Front End Control Kit	
F984P3	13
F985P3	11, 13
Front Panel	
F8171301	29
F8171302P	31
F8173001	29
F8173002P	31
F8173101P	29
F8173102P	31
F8173201P	29
F8173202P	31
Fuse	
802493	11

G

Gravity Drain Valve	
803292	47
Ground Decal	
F230739	9
Ground Lug Connector	
M411283	53
Gusset Plate	
F8186701	31
F8186702	29, 31

H

Heating Element Plug	
F360202	65
Hose	
F606816-1	53
F8232001	53
F8232002	53
F8232004	53

N/A items do not appear in index.

Hose Barb Connector	
F8431001	11, 13
Hose Clamp	
F200201	45
F200213	45, 53, 55
F200215	45, 49
F200222	11, 13, 53
20211	53
36801	53
Hot Surface Warning Label	
F8614301	9

I

Interlock Contactor	
F330186P	11

J

Jumper Configuration Assembly	
M413507	11, 13
Jumper Harness Assembly	
M413506	11, 13
Jumper Wire	
F8056001	65

K

Key	
F160420	27
F430801	57
F430802	57
70155603	33

L

Left Side Panel	
F8042902P	33
F8043102P	33
F8043202P	33
F8043302P	33
Lid Clamp	
F8091701	33
Lower Cabinet Brace	
F8174101	29, 31

M

Machine Size Configuration Harness	
F8028101P	11, 13
F8028103P	11, 13
F8028104P	11, 13
F8028105P	11, 13
Magnet	
F8390801	35
Manifold	
F8333201	53
Motor	
F022012800P	59

F8329301P	59
F8329401P	59
F8329701P	59
F8329801P	59
F8597401P	59
F8597402P	59
F8597501P	59
F8597502P	61
F8597801P	61
F8597802P	61
F8597803P	61
F8597804P	61

Motor Conversion Kit	
F8328901P	59
F8329001P	59
F8329101P	61
F8329201P	61
F8411501	59

Motor Drip Shield	
F200216900	59, 61
F200280700	61

Motor Pulley	
F280281	57

Motor Support Bushing	
F200186100	57

Motor Support Rod	
F602844	57
F603059	57
F603897	57

Motor Switch	
F340002	11

Mount On Concrete Warning Label	
F8246401	9

Mounting Plate	
70208801	25

N

Network Board Assembly	
201341	11

Network Controller Kit	
NK220	17

Network Harness	
44141801P	17

Network Retrofit Kit	
NK204	17

Network Wire Harness Assembly	
44088501P	17

Nipple	
F8110601	63

Nut	
F0431807-00	53
F430215	35, 39, 45
F430218	43, 57
F430225	37
F430232	11, 13, 35, 37, 53
F430239	41
F430240	41
F430264	37
F431022	35
F431041	35
685846	19, 21, 23
70030401	63

N/A items do not appear in index.

O

Opto Coupler	
200674P	19, 21
Output/Logic Harness	
F8028701	11, 13
Overflow Hose	
F0200238-00	45
F150308	45
F150417	45
F8337701	45
Overflow Plug	
F150352	49
Overlay	
F8227002	29
F8227102	29
F8227202	29
F8296601	29
F8296602	29
F8296701	29
F8296702	29
F8296801	29
F8296802	29
F8296901	29
F8296902	29
F8445803	31
F8445903	31
F8446003	31
F8446103	31
70295101	23
70295301	23
Overload Contactor	
F8176101P	11

P

Panel Lock	
44089303P	33
PC Board Standoff	
210098	17
Pipe Insulation	
F410300	63, 65
Pipe Nipple	
431486	63
70263801	63
Plug	
F420409	63
F421507	65
Pop Rivet	
F431223	35
70058501	11, 13, 19, 21
PowerFlex 40 Drive	
F8169401	15
F8169402	15
F8169403	15
F8169404	15
F8169405	15
F8169406	15
F8169407	15
F8169408	15
F8169434	15
F8169435	15
F8169436	15
F8169437	15

F8169438	15
F8169439	15
F8169440	15
F8169441	15
Pressfit Upgrade Kit	
F935P3	39
F936P3	39
F938P3	39
F939P3	39
P-Trap Hose	
F8042201	55
F8042202	55
F8042301	55
Pulley	
F280105P	57
F280168	57
F280173	57
F280197	57
F280284	57
F280422P	57
F280427P	57
Pulse Expander Assembly	
F8034701P	23
Pushbutton Switch	
70413301	33

R

Rear Panel	
F8176201P	33
F8176301	33
F8177501P	33
F8177701P	33
Reducer Bushing	
F421936	65
Reed Switch Assembly	
F8066802	35
Regulator	
F8402201	55
Retaining Ring	
F8337801	41
F8337901	41
F8344901	41
F8345001	41
Right Side Panel	
F8042901P	33
F8043101P	33
F8043201P	33
F8043301P	33
Rod	
F602813-2	35
F602813-3	35

S

Screw	
F0430268-00	53
F430107	45
F430174	29, 31
F430518	39
F430523	35
F430536	35
F430537	57
F430903	11

N/A items do not appear in index.

F430909	53
F430942	43
F430947	35
F430949	43
F430956	37
F430977	37
F8117601	29, 31
F8206901	11, 13, 15, 33, 53
F8230301	53
F8230601	33
F8442702	43
F8535501	35
F8574001	57
20253	63
430497	13, 33, 63
800548	55
801019	29
Shaft Seal Sleeve	
F8312001P	39
F8312004P	39
F8312006P	39
Shaft Seal Sleeve Kit	
F8343901P	39
F8343904P	39
F8343906P	39
F8343909P	39
Sheave	
F0280385-00	57
H87520334	57
Sheave Kit	
F280287P	57
Sheave Pulley	
F280170	57
F280172	57
Shell Band Kit	
F8537801	39
F8537802	39
F8537803	39
F8537804	39
Shell Front Assembly	
F8229401	39
F8229501	39
F8229601	39
F8229701	39
Shell Front Gasket Kit	
F8513501	39
Shell Weldment	
F8179201	43
F8179202	43, 63, 65
F8179301	43
F8179302	43, 63, 65
F8179401	43
F8179402	43, 63, 65
F8179501	43
F8179502	43, 63, 65
Shim	
F8484401	37
Siphon Cover	
F8047901	53
Snap Bushing	
M400770	17
44071501	11, 13
Solenoid	
F8630601	37
Spacer	
F431901	37

Spring	
F8504601	47
Spring Clip	
F633374	57
Spring Pin	
F431222	35
Steam Bracket	
F8490301	63
Steam Filter	
F270307	51, 63
F270308	51
Steam Hose	
F200197	63
Steam Injector Tube Assembly	
F8368201	63
Steam Valve Repair Kit	
F380984P	63
Street Elbow	
H86070034	63
Supply Overflow Hose	
F8043405	53
Support Bracket	
F8195803	13
Switch Clamp	
F0340722-00	11

T

Tee	
F8246601	11, 13, 65
Temperature Configuration Harness	
F8028219P	11, 13
Tension Spring	
F310148	57
Terminal Block	
430642	53
Terminal Tray Cover	
F8177001	53
Terminal Tray Cover Gasket	
F8230001	53
Thermistor Sensor	
F370609	65
Top Cabinet Brace	
F8043501	33
F8043701	33
F8043801	33
F8043901	33
Top Cover	
F8017401	33
F8040201	33
F8040301	33
F8040401P	33
Top Cover Hinge	
F8258601	33
Top Cover Latch	
F8201001	29, 31
Torsion/Door Lock Spring	
F8070301	37
Transformer	
F360157P	11, 13
201616P	11, 13
803527P	11, 13

N/A items do not appear in index.

Triple Lip Seal	
F8203801	41
F8203802	41
F8203803	41
F8203806	41
Trunnion Kit	
F747001	41
F747002	41
F747003	41
F747005	41
Tubing	
F8153901	11, 13, 65

U

USB Gateway Kit	
NK330	17
USB IR Interface Kit	
203346	11, 13
Use Copper Conductors Only Caution Label	
F8242201	9

V

Vacuum Breaker Assembly	
F8048601	55
Vacuum Breaker Hose	
F0200244-01	53
F0200244-02	53
Vacuum Supply Hose	
F8042801	53
F8042803	53
F8042804	53
F8042805	53
Valve	
F8322801P	63
Valve Kit	
F8379501P	63
Valve Panel	
F8017501	53
F8039601	53
F8039801	53
F8039901	53
Valve, 3-Way	
F8286401P	55
F8286402P	55
Vault/FBS Bypass Harness	
F8191401P	25

W

Warning Label	
F8207901	9
F8233501	9
44324001	9
Washer	
F430303	43
F430317	39, 45
F431115	57
F431128	41, 43
F431131	41, 43
F431133	35

F431902	37
F431916	35
F431929	35
M400081	43
803615	51, 55
901690	57
Water Hose	
F200116	51
F200165	51
Water Pressure Switch	
F8223001P	11, 13, 65
Water Valve Tool	
395P4	55
Wireless Network Kit	
NK301	17

Y

Y Connector	
F422816	53

N/A items do not appear in index.

