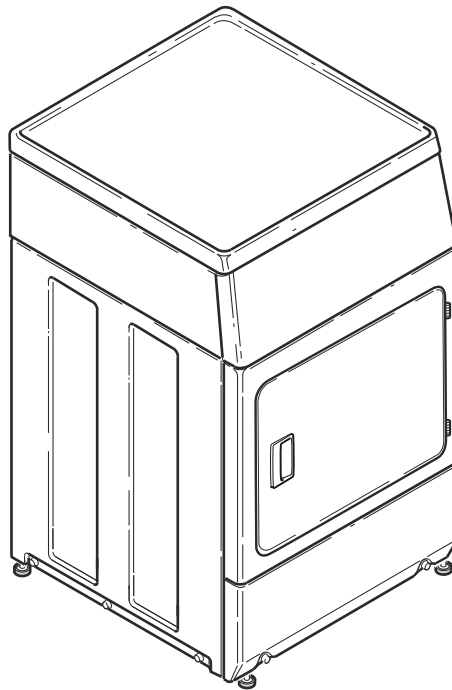


# Commercial Dryers

Metered and Nonmetered  
Models Through Serial No. 1912999999

Refer to Page 3 for Model Numbers



DRY721C\_515204

**Alliance**<sup>™</sup>  
Laundry Systems

[www.alliancelaundry.com](http://www.alliancelaundry.com)

Part No. D515204R8  
August 2020



# Table of Contents

Title	Page
Parts Ordering Information.....	2
Serial Plate Location .....	2
Model Identification .....	3
Control and Control Panel - Rear Control Coin Drop Models .....	4
Control and Control Panel - Rear Control Card Ready Models .....	6
Meter Case - Rear Control Coin Drop Models .....	8
Non-Electronic Coin Drop - Rear Control Coin Drop Models.....	10
Electronic Coin Drop - Rear Control Coin Drop Models.....	12
Cabinet Top - Rear Control Models .....	14
Control Panel and Controls - Coin Drop and Card Front Control Models (Drawing 1 of 2).....	16
Control Panel and Controls - Coin Drop and Card Front Control Models (Drawing 2 of 2).....	18
Control Panel and Controls - Front Control.....	20
Control Cabinet Controls - Front Control Coin Drop Models.....	22
Non-Electronic Coin Drop - Front Control Models.....	24
Electronic Coin Drop - Front Control Models .....	26
Control Cabinet Controls - Front Control Card Ready Models.....	28
Cabinet Top - Front Control Models.....	30
Loading Door without Window .....	32
Loading Door with Window .....	34
Access Panel, Front Panel and Seal .....	36
Motor, Exhaust Fan and Belt .....	38
Front Bulkhead, Air Duct and Felt Seal.....	40
Cylinder Assembly .....	42
Rear Bulkhead, Felt Seal, Cylinder Roller and Terminal Block.....	44
Heater Duct and Element Assembly - Electric Model Dryers.....	46
Heater Duct Assembly - Gas Model Dryers .....	48
Gas Valve, Igniter and Gas Conversion Kits Gas Models Through Serial No. 1908000001 .....	50
Gas Valve, Igniter and Gas Conversion Kits Gas Models Starting Serial No. 1908000001 .....	52
Burner Orifice Spuds - For Higher Elevations.....	54
Cabinet, Exhaust Duct and Base .....	56
Power Cord .....	58
Terminal Block and Terminals (Drawing 1 of 2).....	60
Terminal Block and Terminals (Drawing 2 of 2).....	62
Terminals and Terminal Extractor Tools .....	64
Wire Harnesses and Wires - Front Control Models (Drawing 1 of 2).....	66
Wire Harnesses and Wires - Front Control Models (Drawing 2 of 2).....	68
Wire Harnesses and Wires - Rear Control Models .....	70
Label Location on Rear of Cabinet .....	72
Parts Index.....	75

© Copyright 2020, Alliance Laundry Systems LLC

All rights reserved. No part of the contents of this book may be reproduced or transmitted in any form or by any means without the expressed written consent of the publisher.

## Parts Ordering Information

If literature or replacement parts are required, contact the source from whom the machine was purchased or contact Alliance Laundry Systems at (920) 748-3950 for the name and address of the nearest authorized parts distributor.

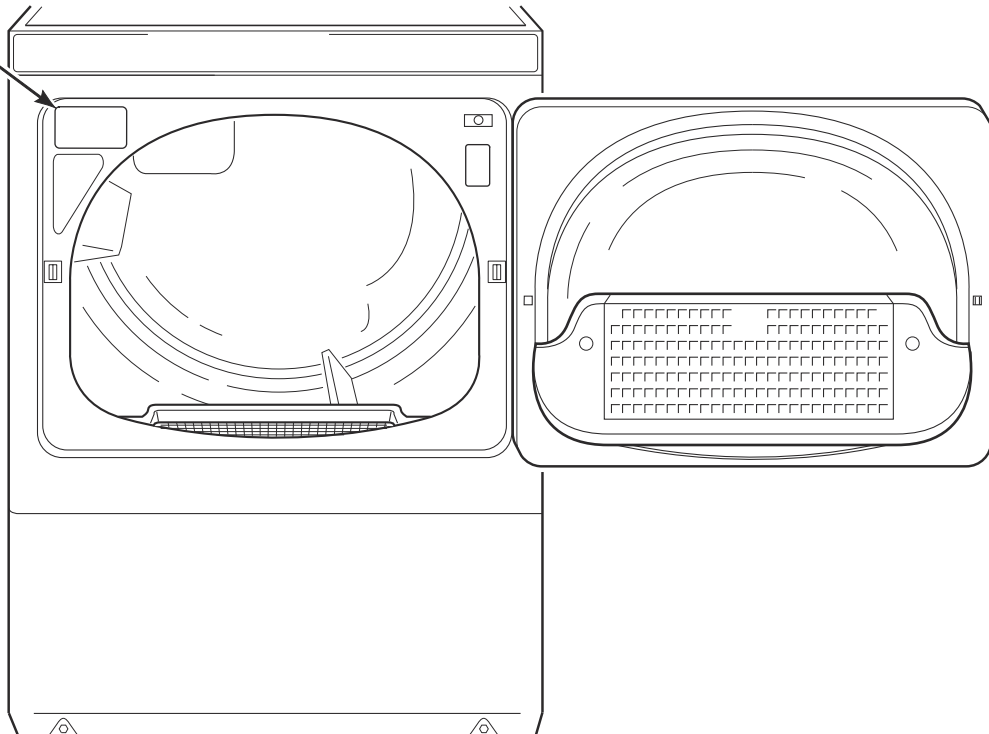
For technical assistance, call the number listed below:

(920) 748-3121 Ripon, Wisconsin

## Serial Plate Location

When calling or writing about your product, be sure to mention model and serial numbers. Model and serial numbers are located on serial plate(s) as shown.

SERIAL PLATE



DRY2283P\_515204

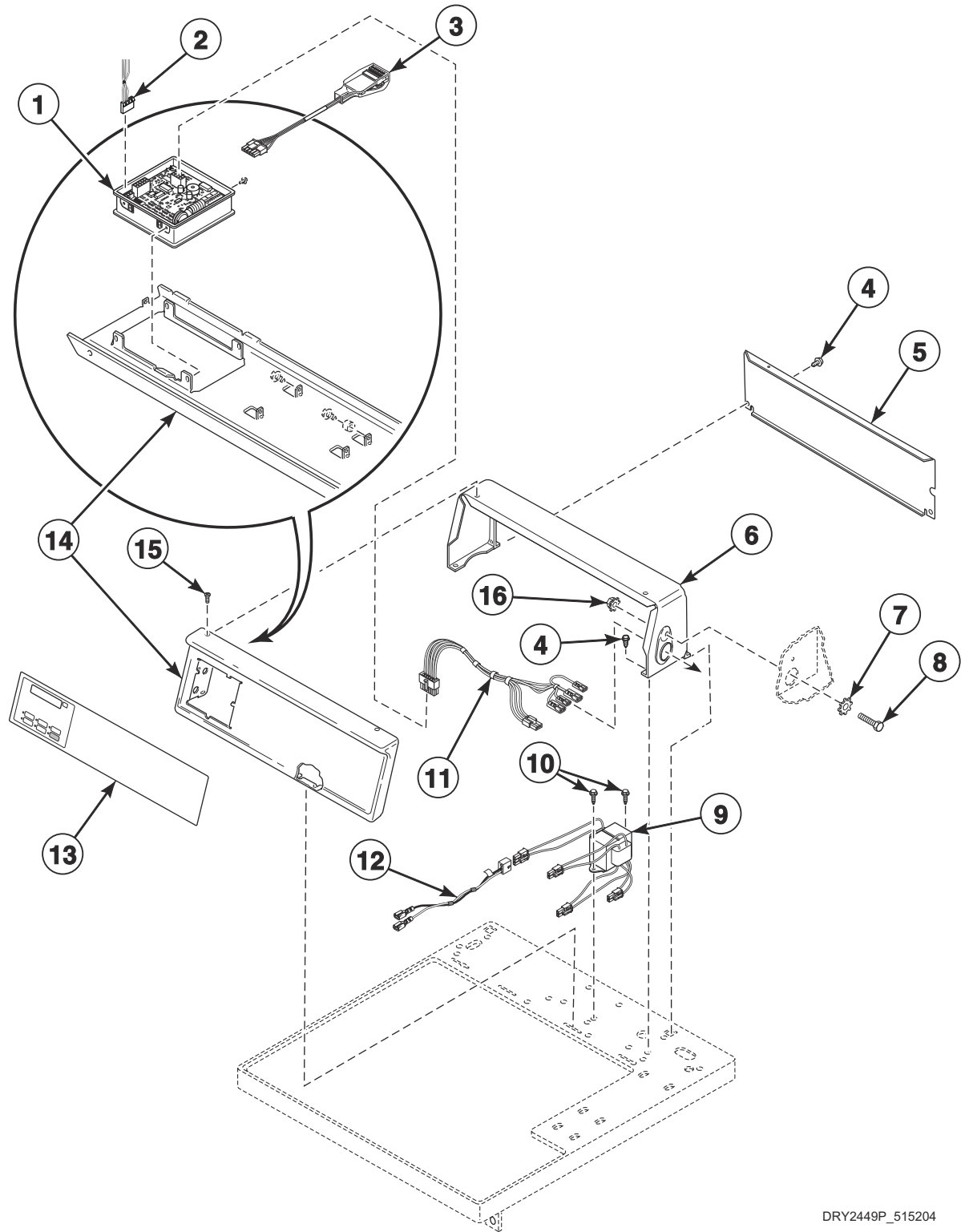
## Model Identification

Information in this manual is applicable to these dryer models:

PDEJCAGS174TG01	SDEWCAGS173TW41
PDEJCAGS174TW01	SDEWCGRS153TW42
PDEJEAGS174CG01	SDEWCGRS173TW42
PDEJEAGS174CN01	SDEWXAGS153TW01
PDEJEAGS174CW01	SDEWXAGS173TW01
PDEJXAGS174CG01	SDEWXRGS153TW02
PDEJXAGS174CW01	SDEWXRGS173TW02
PDEJXAGS174TG01	SDEWYAGS153TW01
PDEJXAGS174TW01	SDEWYAGS153TW41
PDGJCAGS114TG01	SDEWYAGS173TW01
PDGJCAGS114TW01	SDEWYAGS173TW41
PDGJEAGS114CG01	SDEWYRGS153TW01
PDGJEAGS114CN01	SDEWYRGS153TW41
PDGJEAGS114CW01	SDEWYRGS173TW01
PDGJXAGS114CG01	SDEWYRGS173TW41
PDGJXAGS114CW01	SDGNCAGS113TN01
PDGJXAGS114TG01	SDGNCAGS113TW01
PDGJXAGS114TW01	SDGNCAGW113TN01
SDENCAGS173TN01	SDGNCRGS113TW01
SDENCAGS173TW01	SDGNCRGS113TW02
SDENCAGW173TN01	SDGNXRGS113TW01
SDENCRGS153TW01	SDGNXRGS113TW02
SDENCRGS153TW02	SDGNYAGS113TN01
SDENCRGS173TW01	SDGNYAGS113TW01
SDENCRGS173TW02	SDGNYAGW113TN01
SDENXRGS173TW01	SDGNYBGS113TN01
SDENXRGS173TW02	SDGNYBGS113TW01
SDENYAGS153TW01	SDGNYRGS113TW01
SDENYAGS173TN01	SDGWCAGS113TW41
SDENYAGS173TW01	SDGWCRGS113TW42
SDENYBGS173TN01	SDGWXAGS113TW01
SDENYBGS173TW01	SDGWXRGS113TW02
SDENYRGS153TW01	SDGWYAGS113TW01
SDENYRGS173TW01	SDGWYAGS113TW41
	SDGWYRGS113TW01
	SDGWYRGS113TW41

# Control and Control Panel - Rear Control Coin Drop Models

Models SDENCRGS153TW01, SDENCRGS153TW02, SDENCRGS173TW01, SDENCRGS173TW02, SDENXRG173TW01, SDENXRG173TW02, SDEWCRGS153TW42, SDEWCRGS173TW42, SDEWXRG153TW02, SDEWXRG173TW02, SDGNCRGS113TW01, SDGNCRGS113TW02, SDGNXRG113TW01, SDGNXRG113TW02, SDGWCRGS113TW42 and SDGWXRG113TW02



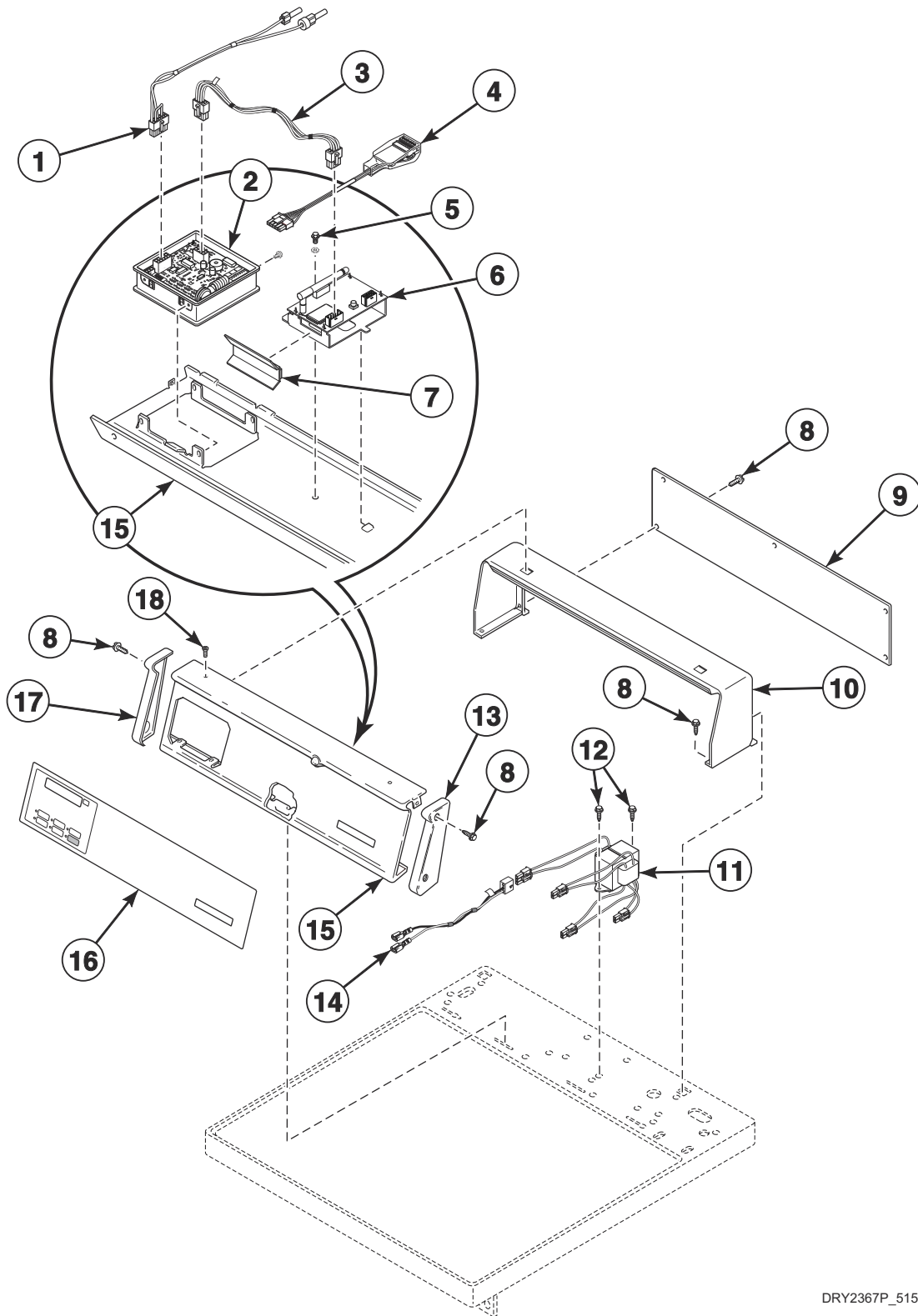
DRY2449P\_515204

## Control and Control Panel - Rear Control Coin Drop Models

REF	PART NO.	DESCRIPTION	COMMENTS
	203328	Network Retrofit Kit	Wired
	203889	Wireless Network Kit	Through Serial No. 1902000001
	204689	Wireless Network Kit	Starting Serial No. 1902000001
	203346	USB IR Interface Kit	
	NK220	Network Controller Kit	Wired
	NK320	Ethernet Gateway Kit	Wireless
	NK330	USB Gateway Kit	Wireless
	905P3	Security Kit	Secures front panel to rear panel
<b>1</b>	D515807P	Control Assembly	
<b>2</b>	D511478	Central Pay Harness	
<b>3</b>	203361P	Machine ID Control Assembly	Model or serial number is required when ordering
<b>4</b>	804608	Screw	
<b>5</b>	804886	Hood Back Panel	
<b>6</b>	D502567W	Control Hood	
<b>7</b>	M400017	Washer	
<b>8</b>	02916	Screw	
<b>9</b>	202757	Transformer	Models SDENXRG173TW01, SDENXRG173TW02, SDEWXRG153TW02, SDEWXRG173TW02, SDGNXRG113TW01, SDGNXRG113TW02 and SDGWXRG113TW02
<b>10</b>	D503688	Screw	Models SDENXRG173TW01, SDENXRG173TW02, SDEWXRG153TW02, SDEWXRG173TW02, SDGNXRG113TW01, SDGNXRG113TW02 and SDGWXRG113TW02
<b>11</b>	202870	Single Coin Harness Assembly	Models SDENCRG153TW01, SDENCRG153TW02, SDENCRG173TW01, SDENCRG173TW02, SDEWCRG153TW42, SDEWCRG173TW42, SDGNCRG113TW01, SDGNCRG113TW02 and SDGWCRG113TW42
	202871	Dual Coin Harness Assembly	Models SDENXRG173TW01, SDENXRG173TW02, SDEWXRG153TW02, SDEWXRG173TW02, SDGNXRG113TW01, SDGNXRG113TW02 and SDGWXRG113TW02
<b>12</b>	D514073	Transformer Harness	Models SDENXRG173TW01, SDENXRG173TW02, SDEWXRG153TW02 and SDEWXRG173TW02
	804832	Harness	Models SDGNXRG113TW01, SDGNXRG113TW02 and SDGWXRG113TW02
<b>13</b>	D514367	Control Overlay	
<b>14</b>	D510067W	Control Panel	
<b>15</b>	52864	Screw	Phillips head
	35528	Screw	Torx head
<b>16</b>	52566	Nut	

# Control and Control Panel - Rear Control Card Ready Models

Models SDENYRGS153TW01, SDENYRGS173TW01, SDEWYRGS153TW01, SDEWYRGS153TW41, SDEWYRGS173TW01, SDEWYRGS173TW41, SDGNYRGS113TW01, SDGWYRGS113TW01 and SDGWYRGS113TW41



DRY2367P\_515204

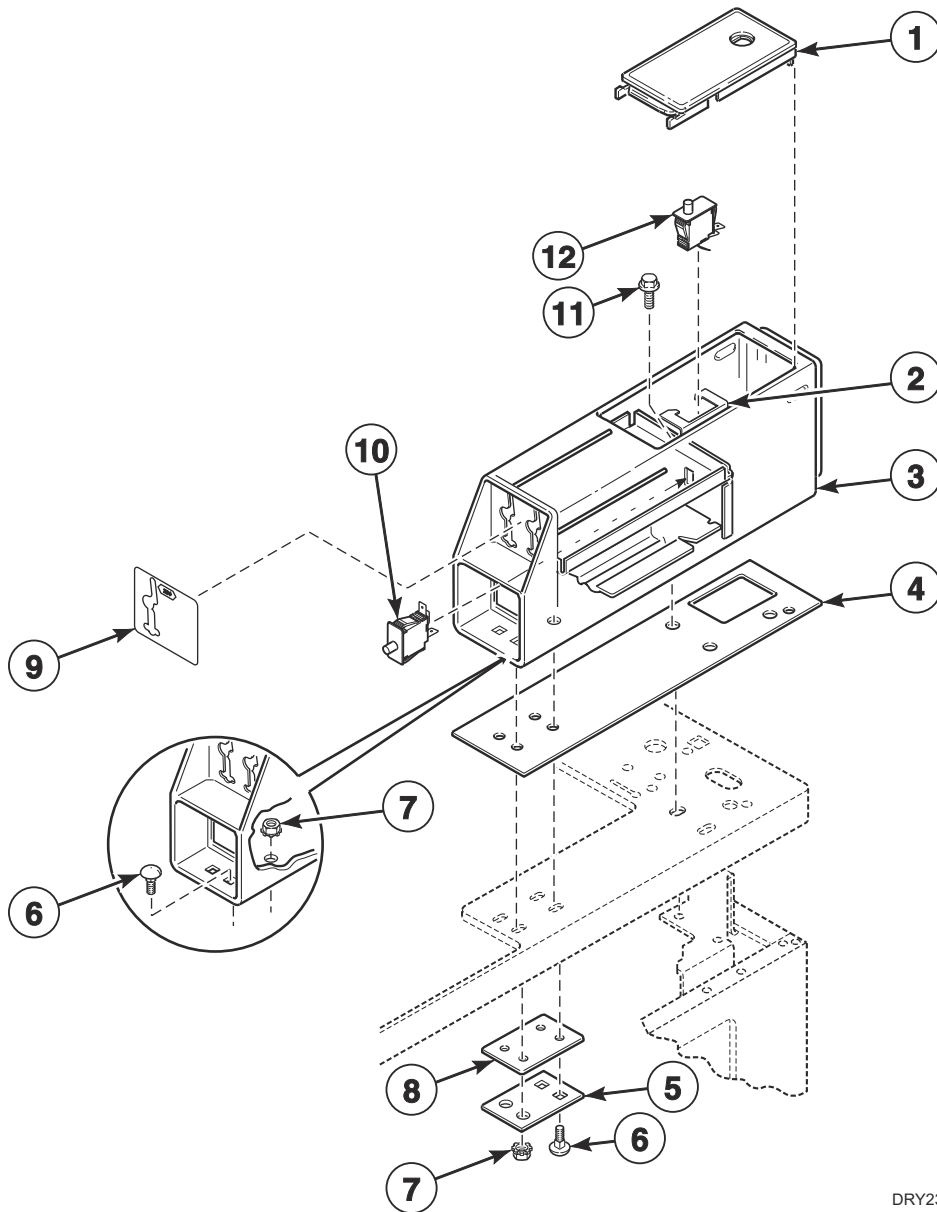


## Control and Control Panel - Rear Control Card Ready Models

REF	PART NO.	DESCRIPTION	COMMENTS
	203328	Network Retrofit Kit	Wired
	203346	USB IR Interface Kit	
	NK220	Network Controller Kit	Wired
	NK320	Ethernet Gateway Kit	Wireless
	NK330	USB Gateway Kit	Wireless
<b>1</b>	202869	Wiring Harness Assembly	
<b>2</b>	D515807P	Control Assembly	
<b>3</b>	F8536002	Wireless Network Board Harness	Models SDEWYRGS153TW01, SDEWYRGS153TW41, SDEWYRGS173TW01, SDEWYRGS173TW41, SDGWYRGS113TW01 and SDGWYRGS113TW41; Through Serial No. 1902000001
	F8674006	Wireless Network Harness	Models SDEWYRGS153TW01, SDEWYRGS153TW41, SDEWYRGS173TW01, SDEWYRGS173TW41, SDGWYRGS113TW01 and SDGWYRGS113TW41; Starting Serial No. 1902000001
<b>4</b>	203361P	Machine ID Control Assembly	Model or serial number is required when ordering
<b>5</b>	804608	Screw	Models SDEWYRGS153TW01, SDEWYRGS153TW41, SDEWYRGS173TW01, SDEWYRGS173TW41, SDGWYRGS113TW01 and SDGWYRGS113TW41
<b>6</b>	203889	Wireless Network Kit	Models SDEWYRGS153TW01, SDEWYRGS153TW41, SDEWYRGS173TW01, SDEWYRGS173TW41, SDGWYRGS113TW01 and SDGWYRGS113TW41; Through Serial No. 1902000001
	204689	Wireless Network Kit	Models SDEWYRGS153TW01, SDEWYRGS153TW41, SDEWYRGS173TW01, SDEWYRGS173TW41, SDGWYRGS113TW01 and SDGWYRGS113TW41; Starting Serial No. 1902000001
<b>7</b>	D501441	Electronic Control Shield	Models SDEWYRGS153TW01, SDEWYRGS153TW41, SDEWYRGS173TW01, SDEWYRGS173TW41, SDGWYRGS113TW01 and SDGWYRGS113TW41
<b>8</b>	D501086	Screw	
<b>9</b>	804884	Rear Panel	
<b>10</b>	D511253W	Control Hood	
<b>11</b>	202757	Transformer	
<b>12</b>	D503688	Screw	
<b>13</b>	210108W	End Cap	Right
<b>14</b>	D514073	Transformer Harness	Models SDENYRGS153TW01, SDENYRGS173TW01, SDEWYRGS153TW01, SDEWYRGS153TW41, SDEWYRGS173TW01 and SDEWYRGS173TW41
	804832	Harness	Models SDGNYRGS113TW01, SDGWYRGS113TW01 and SDGWYRGS113TW41
<b>15</b>	D511055W	Control Panel	Models SDENYRGS153TW01, SDENYRGS173TW01 and SDGNYRGS113TW01
	D510220W	Control Panel	Models SDEWYRGS153TW01, SDEWYRGS153TW41, SDEWYRGS173TW01, SDEWYRGS173TW41, SDGWYRGS113TW01 and SDGWYRGS113TW41
<b>16</b>	D514368	Control Overlay	
<b>17</b>	210109W	End Cap	Left
<b>18</b>	52864	Screw	Phillips head
	35528	Screw	Torx head

# Meter Case - Rear Control Coin Drop Models

Models SDENCRGS153TW01, SDENCRGS153TW02, SDENCRGS173TW01, SDENCRGS173TW02, SDENXRG153TW01, SDENXRG173TW02, SDEWCRGS153TW42, SDEWCRGS173TW42, SDEWXRG153TW02, SDEWXRG173TW02, SDGNCRGS113TW01, SDGNCRGS113TW02, SDGNXRG113TW01, SDGNXRG113TW02, SDGWCRGS113TW42 and SDGWXRG113TW02



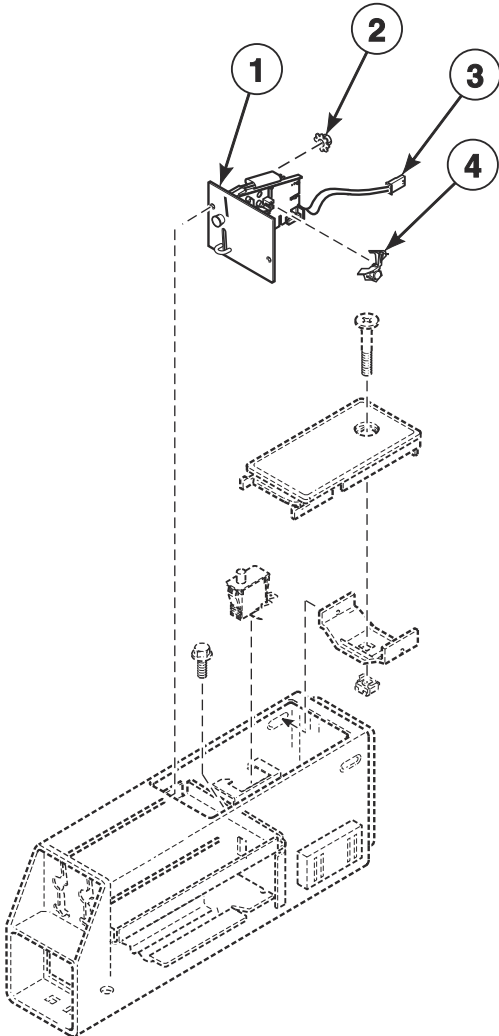
DRY2346P\_515204

## Meter Case - Rear Control Coin Drop Models

REF	PART NO.	DESCRIPTION	COMMENTS
1	39874WP	Service Door Assembly	White
2	38087	Door Switch Bracket	
3	807401W	Meter Case Assembly Kit	High capacity
	803578P	Coin Box Extension Kit	Use with high capacity meter case to extend shorter 7 inch coin boxes
	202877W	Meter Case Assembly	Standard capacity
4	26354	Meter Case Gasket	
5	35525	Meter Case Lockdown Bracket	
6	203798	Bolt	
7	29786	Nut	
8	35526	Meter Case Bracket Gasket	
9	38717	Single Overlay	
10	D512973	Switch	Through Serial No. 1810000001
	70529301	Switch	Starting Serial No. 1810000001
11	36048	Screw	
12	D512973	Switch	Used through Serial No. 1810000001

# Non-Electronic Coin Drop - Rear Control Coin Drop Models

Models SDENCRGS153TW01, SDENCRGS153TW02, SDENCRGS173TW01, SDENCRGS173TW02, SDENXRGs173TW01, SDENXRGs173TW02, SDEWCRGS153TW42, SDEWCRGS173TW42, SDEWXRGs153TW02, SDEWXRGs173TW02, SDGNCRGS113TW01, SDGNCRGS113TW02, SDGNXRGs113TW01, SDGNXRGs113TW02, SDGWCRGS113TW42 and SDGWXRGs113TW02



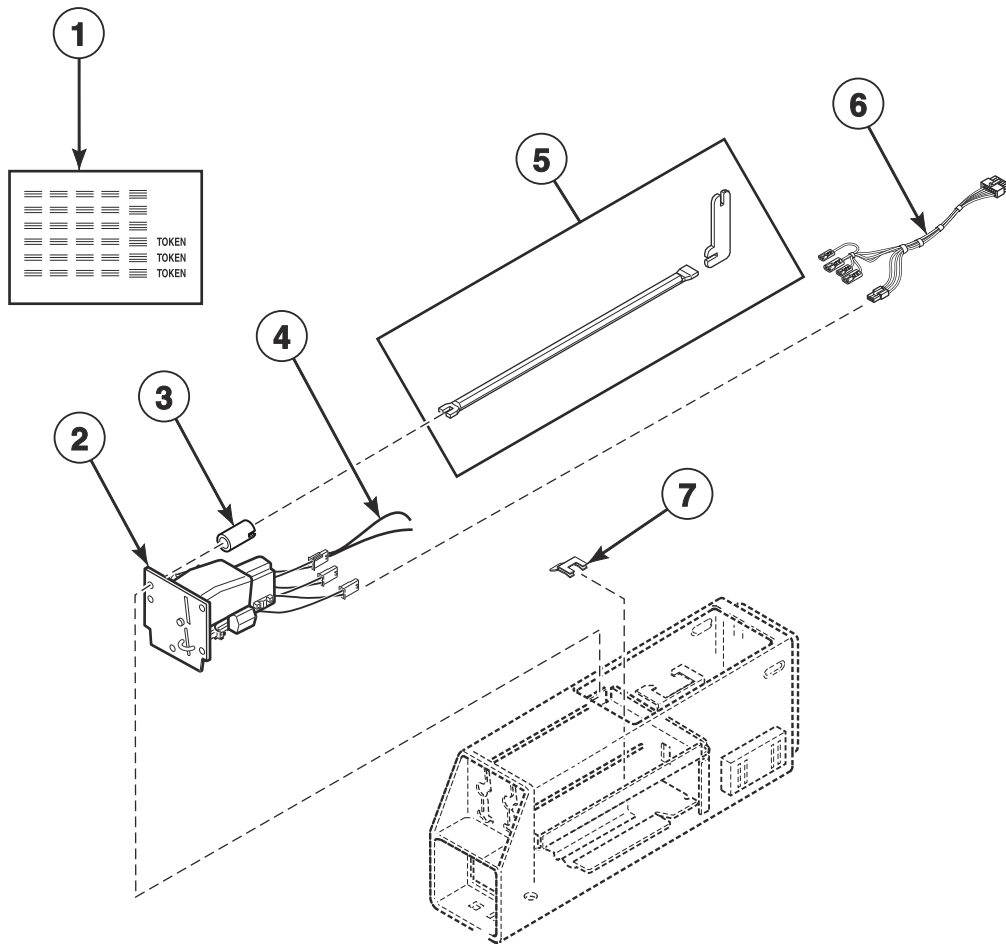
DRY2170P\_515204

## Non-Electronic Coin Drop - Rear Control Coin Drop Models

REF	PART NO.	DESCRIPTION	COMMENTS
1	38462P	Coin Drop Assembly	Token; 118-1 mzp
	38463	Coin Drop Assembly	Token; 118-5 mzp
	70441601P	Coin Drop	U.S.; \$.25
	38963P	Coin Drop	Token 118-16 not available; Replacement for 38963P Coin Drop only
2	29786	Nut	
3	200674P	Opto Coupler	
4	201595P	Wire Guard	Anti-stringing security device

# Electronic Coin Drop - Rear Control Coin Drop Models

Models SDENCRGS153TW01, SDENCRGS153TW02, SDENCRGS173TW01, SDENCRGS173TW02, SDENXRG173TW01, SDENXRG173TW02, SDEWCRGS153TW42, SDEWCRGS173TW42, SDEWXRG153TW02, SDEWXRG173TW02, SDGNCRGS113TW01, SDGNCRGS113TW02, SDGNXRG113TW01, SDGNXRG113TW02, SDGWCRGS113TW42 and SDGWXRG113TW02



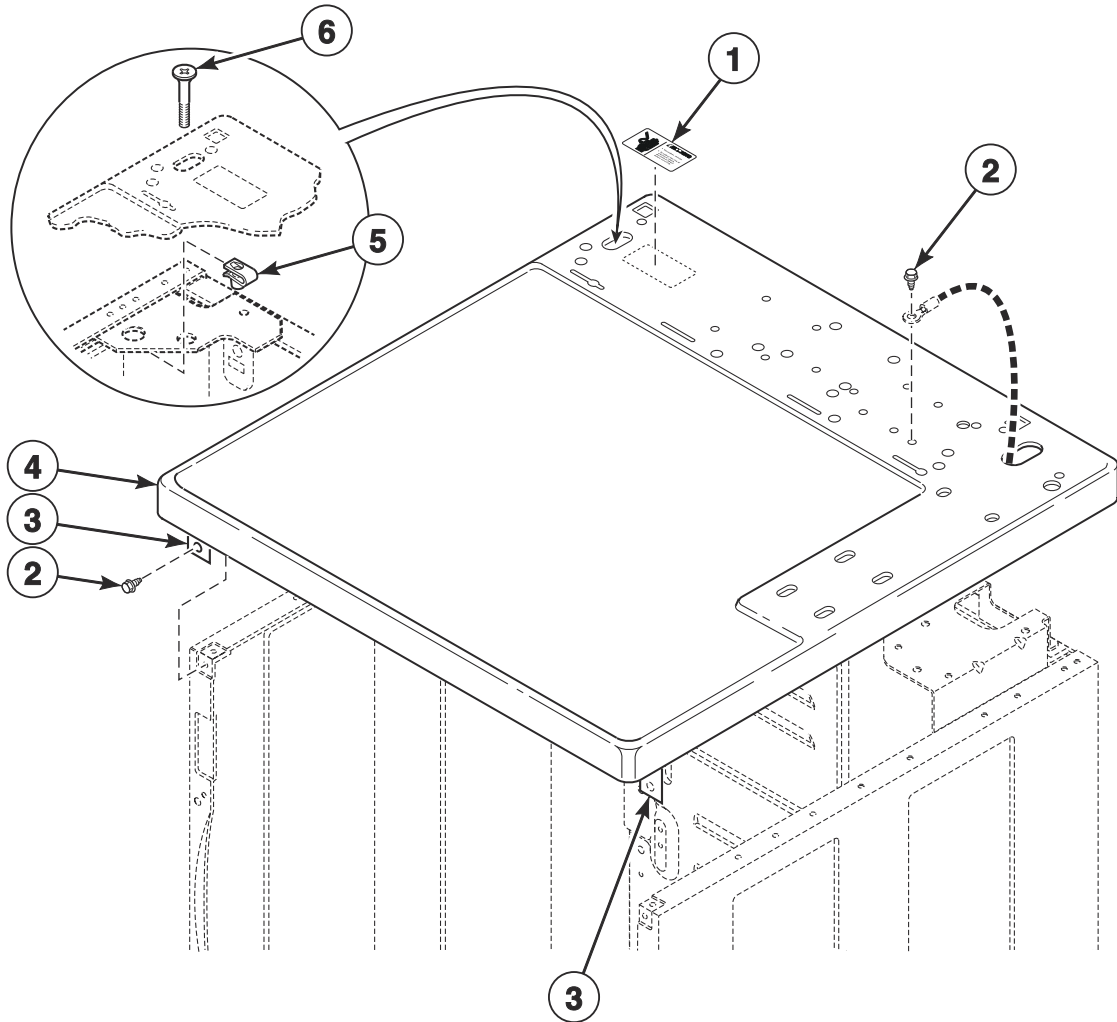
DRY2368P\_515204

## Electronic Coin Drop - Rear Control Coin Drop Models

REF	PART NO.	DESCRIPTION	COMMENTS
1	38725	Coin Identification Paper	For use with item 2
2	CK113	Electronic Coin Drop Kit	Japan and Taiwan coins
	CK115	Electronic Coin Drop Kit	United States and Canada coins
3	201216	Nut	For use with item 2
4	201104	Coin Drop Wire Harness	For use with item 2
5	CK096	Mounting Tool Kit	For use with item 2
6	802905	Harness Assembly	If adding electronic coin drop this harness must be used; Models SDENCRGS153TW01, SDENCRGS153TW02, SDENCRGS173TW01, SDENCRGS173TW02, SDEWCRGS153TW42, SDEWCRGS173TW42, SDGNCRGS113TW01, SDGNCRGS113TW02 and SDGWCRGS113TW42
7	201572	Clip	For use with item 2

# Cabinet Top - Rear Control Models

Models SDENCRGS153TW01, SDENCRGS153TW02, SDENCRGS173TW01, SDENCRGS173TW02, SDENXRG173TW01, SDENXRG173TW02, SDENYRG153TW01, SDENYRG173TW01, SDEWCRGS153TW42, SDEWCRGS173TW42, SDEWXRG153TW02, SDEWXRG173TW02, SDEWYRG153TW01, SDEWYRG153TW41, SDEWYRG173TW01, SDEWYRG173TW41, SDGNCRGS113TW01, SDGNCRGS113TW02, SDGNXRG113TW01, SDGNXRG113TW02, SDGNYRG113TW01, SDGWCRGS113TW42, SDGWXRG113TW02, SDGWYRG113TW01 and SDGWYRG113TW41



DRY1894P\_515204

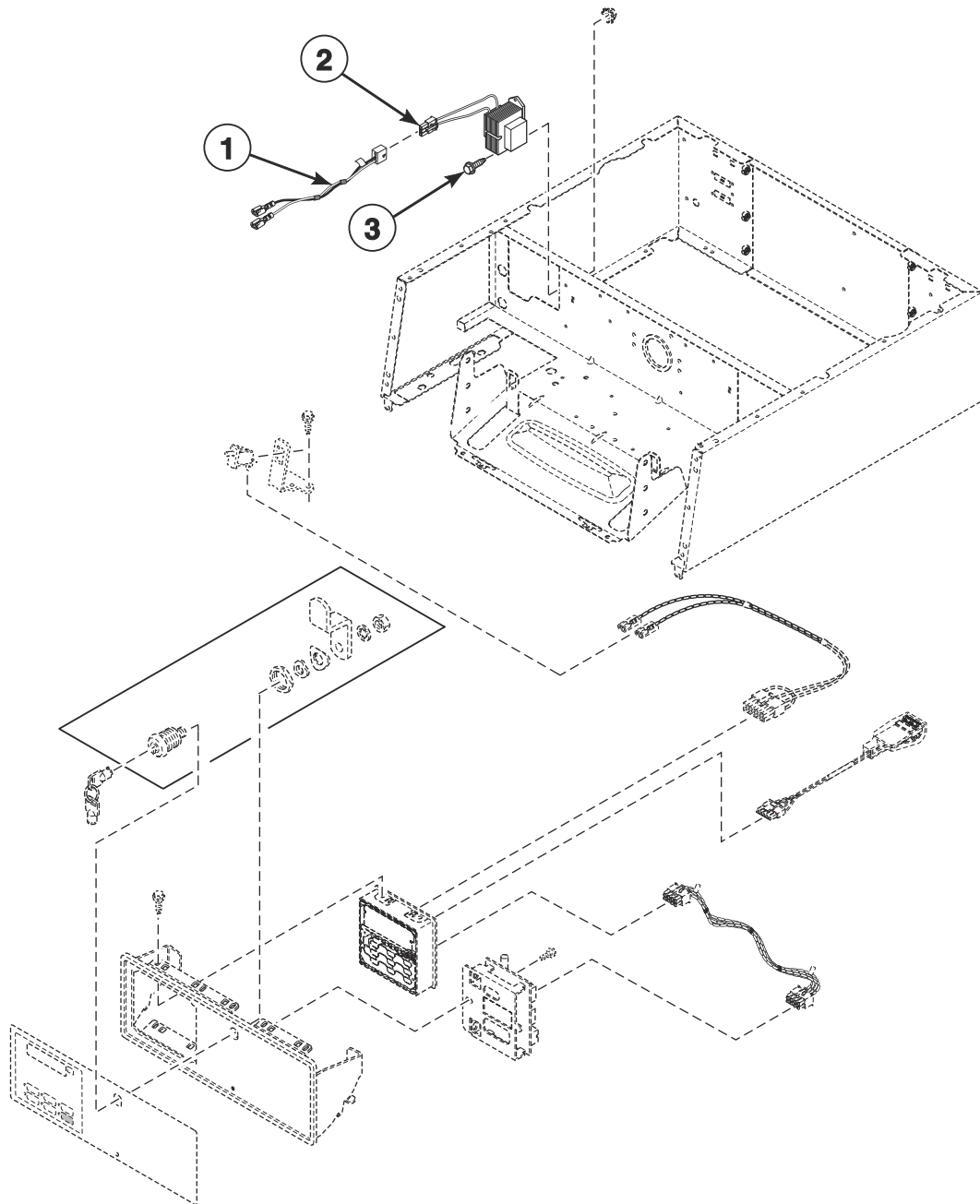


## Cabinet Top - Rear Control Models

REF	PART NO.	DESCRIPTION	COMMENTS
1	D505281	Disconnect Power Warning Label	
2	D503688	Screw	
3	D510146	Bracket	
4	D511530WP	Top Panel Kit	White; Includes item 3; Models SDENYRGS153TW01, SDENYRGS173TW01, SDEWYRGS153TW01, SDEWYRGS153TW41, SDEWYRGS173TW01, SDEWYRGS173TW41, SDGNYRGS113TW01, SDGWYRGS113TW01 and SDGWYRGS113TW41
	D511527WP	Top Kit	White; Includes item 3; All other models
5	27222	Nut	
6	D503673	Screw	

# Control Panel and Controls - Coin Drop and Card Front Control Models (Drawing 1 of 2)

Models PDEJCAGS174TG01, PDEJCAGS174TW01, PDEJEAGS174CG01, PDEJEAGS174CN01, PDEJEAGS174CW01, PDEJXAGS174CG01, PDEJXAGS174CW01, PDEJXAGS174TG01, PDEJXAGS174TW01, PDGJCAGS114TG01, PDGJCAGS114TW01, PDGJEAGS114CG01, PDGJEAGS114CN01, PDGJEAGS114CW01, PDGJXAGS114CG01, PDGJXAGS114CW01, PDGJXAGS114TG01, PDGJXAGS114TW01, SDENCAGS173TN01, SDENCAGS173TW01, SDENCAGW173TN01, SDENYAGS153TW01, SDENYAGS173TN01, SDENYAGS173TW01, SDEWCAGS173TW41, SDEWXAGS153TW01, SDEWXAGS173TW01, SDEWYAGS153TW01, SDEWYAGS153TW41, SDEWYAGS173TW01, SDEWYAGS173TW41, SDGNCAGS113TN01, SDGNCAGS113TW01, SDGNCAGW113TN01, SDGNYAGS113TN01, SDGNYAGS113TW01, SDGNYAGW113TN01, SDGWCAGS113TW41, SDGWXAGS113TW01, SDGWYAGS113TW01 and SDGWYAGS113TW41



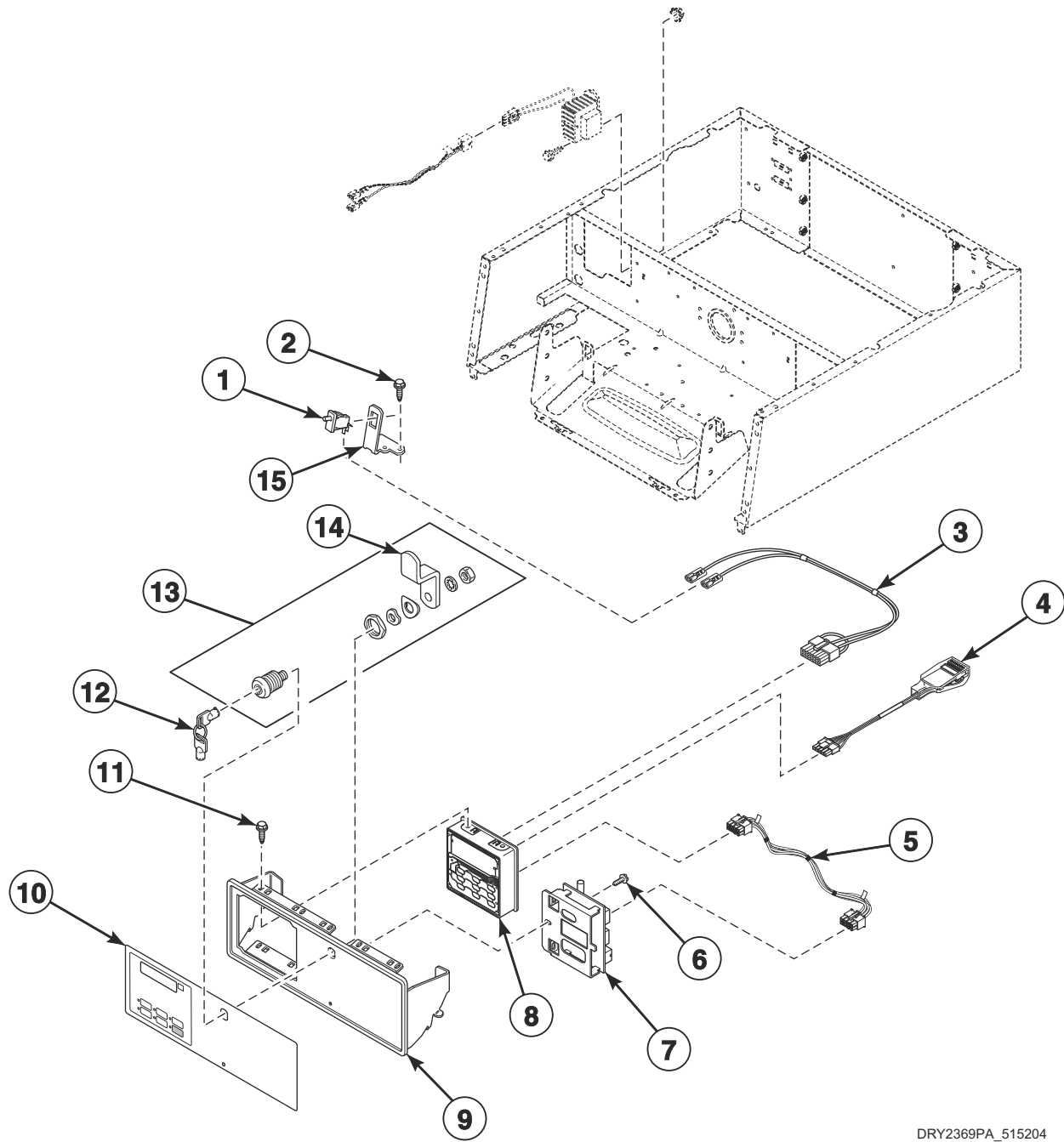
DRY2369P\_515204

## Control Panel and Controls - Coin Drop and Card Front Control Models (Drawing 1 of 2)

REF	PART NO.	DESCRIPTION	COMMENTS
	203328	Network Retrofit Kit	Wired
	203346	USB IR Interface Kit	
	NK220	Network Controller Kit	Wired
	NK320	Ethernet Gateway Kit	Wireless
	NK330	USB Gateway Kit	Wireless
<b>1</b>	D514072	Transformer Harness	Electric models
	804795	Transformer Harness	Gas models
<b>2</b>	202757	Transformer	
<b>3</b>	D503688	Screw	

# Control Panel and Controls - Coin Drop and Card Front Control Models (Drawing 2 of 2)

Models PDEJCAGS174TG01, PDEJCAGS174TW01, PDEJEAGS174CG01, PDEJEAGS174CN01, PDEJEAGS174CW01, PDEJXAGS174CG01, PDEJXAGS174CW01, PDEJXAGS174TG01, PDEJXAGS174TW01, PDGJCAGS114TG01, PDGJCAGS114TW01, PDGJEAGS114CG01, PDGJEAGS114CN01, PDGJEAGS114CW01, PDGJXAGS114CG01, PDGJXAGS114CW01, PDGJXAGS114TG01, PDGJXAGS114TW01, SDENCAGS173TN01, SDENCAGS173TW01, SDENCAGW173TN01, SDENYAGS153TW01, SDENYAGS173TN01, SDENYAGS173TW01, SDEWCAGS173TW41, SDEWXAGS153TW01, SDEWXAGS173TW01, SDEWYAGS153TW01, SDEWYAGS153TW41, SDEWYAGS173TW01, SDEWYAGS173TW41, SDGNCAGS113TN01, SDGNCAGS113TW01, SDGNCAGW113TN01, SDGNYAGS113TN01, SDGNYAGS113TW01, SDGNYAGW113TN01, SDGWCAGS113TW41, SDGWXAGS113TW01, SDGWYAGS113TW01 and SDGWYAGS113TW41



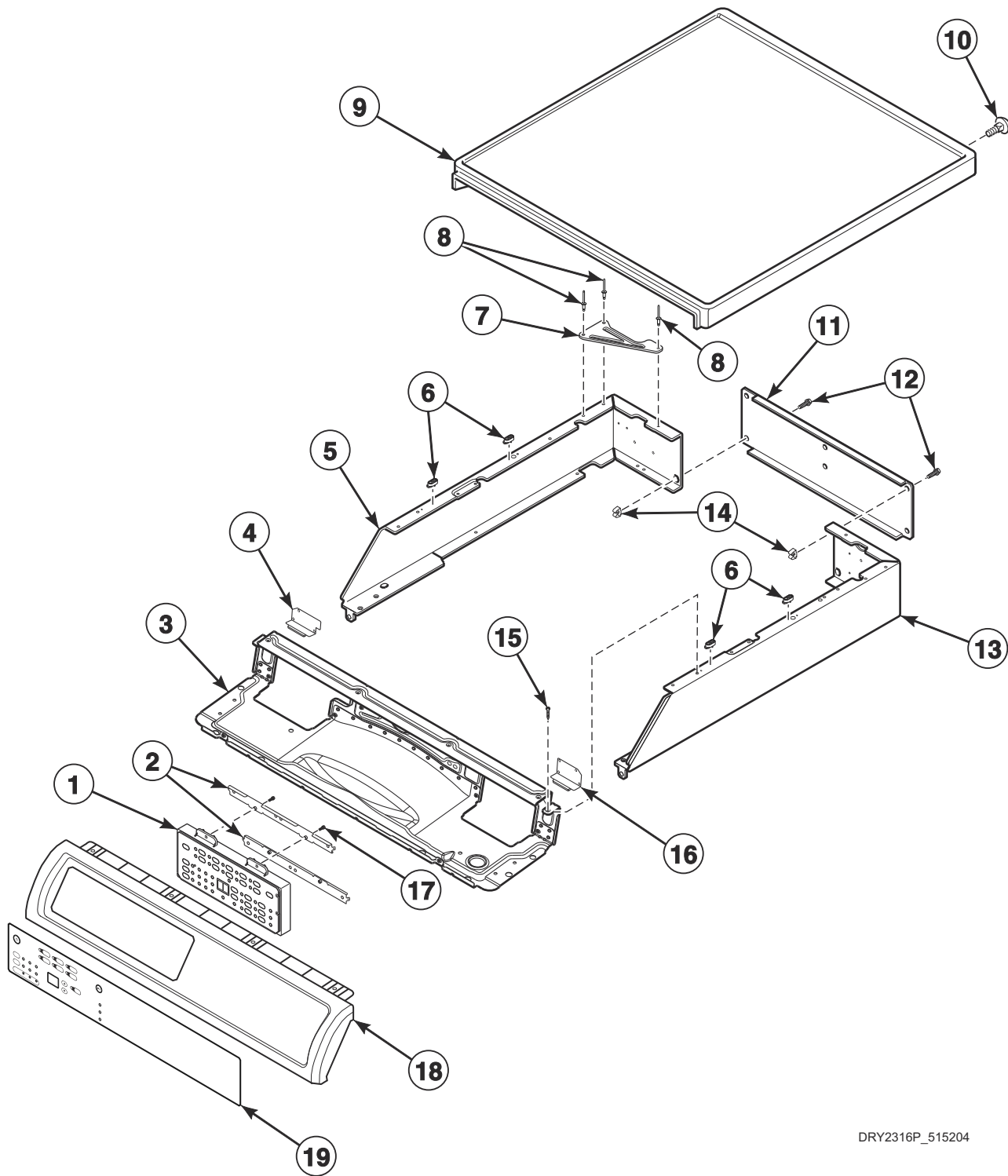
DRY2369PA\_515204

## Control Panel and Controls - Coin Drop and Card Front Control Models (Drawing 2 of 2)

REF	PART NO.	DESCRIPTION	COMMENTS
1	D512973	Switch	
2	D503688	Screw	
3	202868	Wiring Harness Assembly	Models SDENYAGS153TW01, SDENYAGS173TN01, SDENYAGS173TW01, SDEWYAGS153TW01, SDEWYAGS153TW41, SDEWYAGS173TW01, SDEWYAGS173TW41, SDGNYAGS113TN01, SDGNYAGS113TW01, SDGNYAGW113TN01, SDGWYAGS113TW01 and SDGWYAGS113TW41
4	203361P	Machine ID Control Assembly	Model or serial number is required when ordering
5	F8536002	Wireless Network Board Harness	Models SDEWCAGS173TW41, SDEWXAGS153TW01, SDEWXAGS173TW01, SDEWYAGS153TW01, SDEWYAGS153TW41, SDEWYAGS173TW01, SDEWYAGS173TW41, SDGWCAGS113TW41, SDGWXAGS113TW01, SDGWYAGS113TW01 and SDGWYAGS113TW41; Through Serial No. 1902000001
	F8674006	Wireless Network Harness	Models SDEWCAGS173TW41, SDEWXAGS153TW01, SDEWXAGS173TW01, SDEWYAGS153TW01, SDEWYAGS153TW41, SDEWYAGS173TW01, SDEWYAGS173TW41, SDGWCAGS113TW41, SDGWXAGS113TW01, SDGWYAGS113TW01 and SDGWYAGS113TW41; Starting Serial No. 1902000001
6	804608	Screw	Models SDEWYAGS153TW01, SDEWYAGS173TW01 and SDGWYAGS113TW01
7	203889	Wireless Network Kit	Models SDEWCAGS173TW41, SDEWXAGS153TW01, SDEWXAGS173TW01, SDEWYAGS153TW01, SDEWYAGS153TW41, SDEWYAGS173TW01, SDEWYAGS173TW41, SDGWCAGS113TW41, SDGWXAGS113TW01, SDGWYAGS113TW01 and SDGWYAGS113TW41; Through Serial No. 1902000001
	204689	Wireless Network Kit	Models SDEWCAGS173TW41, SDEWXAGS153TW01, SDEWXAGS173TW01, SDEWYAGS153TW01, SDEWYAGS153TW41, SDEWYAGS173TW01, SDEWYAGS173TW41, SDGWCAGS113TW41, SDGWXAGS113TW01, SDGWYAGS113TW01 and SDGWYAGS113TW41; Starting Serial No. 1902000001
8	D515809P	Control Assembly	Models PDEJCAGS174TG01, PDEJCAGS174TW01, PDEJEAGS174CG01, PDEJEAGS174CN01, PDEJEAGS174CW01, PDEJXAGS174CG01, PDEJXAGS174CW01, PDEJXAGS174TG01, PDEJXAGS174TW01, PDGJCAGS114TG01, PDGJCAGS114TW01, PDGJEAGS114CG01, PDGJEAGS114CN01, PDGJEAGS114CW01, PDGJXAGS114CG01, PDGJXAGS114CW01, PDGJXAGS114TG01 and PDGJXAGS114TW01
	D515807P	Control Assembly	All other models
9	D513777B	Control Panel and Bracket Assembly	Black
	D513777DG	Control Panel and Bracket Assembly	Dark gray
	D513777W	Control Panel and Bracket Assembly	White
10	D515652	Control Overlay	Models PDEJCAGS174TG01, PDEJCAGS174TW01, PDEJEAGS174CG01, PDEJEAGS174CN01, PDEJEAGS174CW01, PDEJXAGS174CG01, PDEJXAGS174CW01, PDEJXAGS174TG01, PDEJXAGS174TW01, PDGJCAGS114TG01, PDGJCAGS114TW01, PDGJEAGS114CG01, PDGJEAGS114CN01, PDGJEAGS114CW01, PDGJXAGS114CG01, PDGJXAGS114CW01, PDGJXAGS114TG01 and PDGJXAGS114TW01
	D514369	Control Overlay	All other models
11	D501524	Screw	
12	54612	Key	800
13	27260P	Lock Kit	Includes item 16
14	804338	Lock Cam	
15	800379	Audit Switch Bracket	

# Control Panel and Controls - Front Control

Models SDENYBGS173TN01, SDENYBGS173TW01, SDGNYBGS113TN01 and SDGNYBGS113TW01



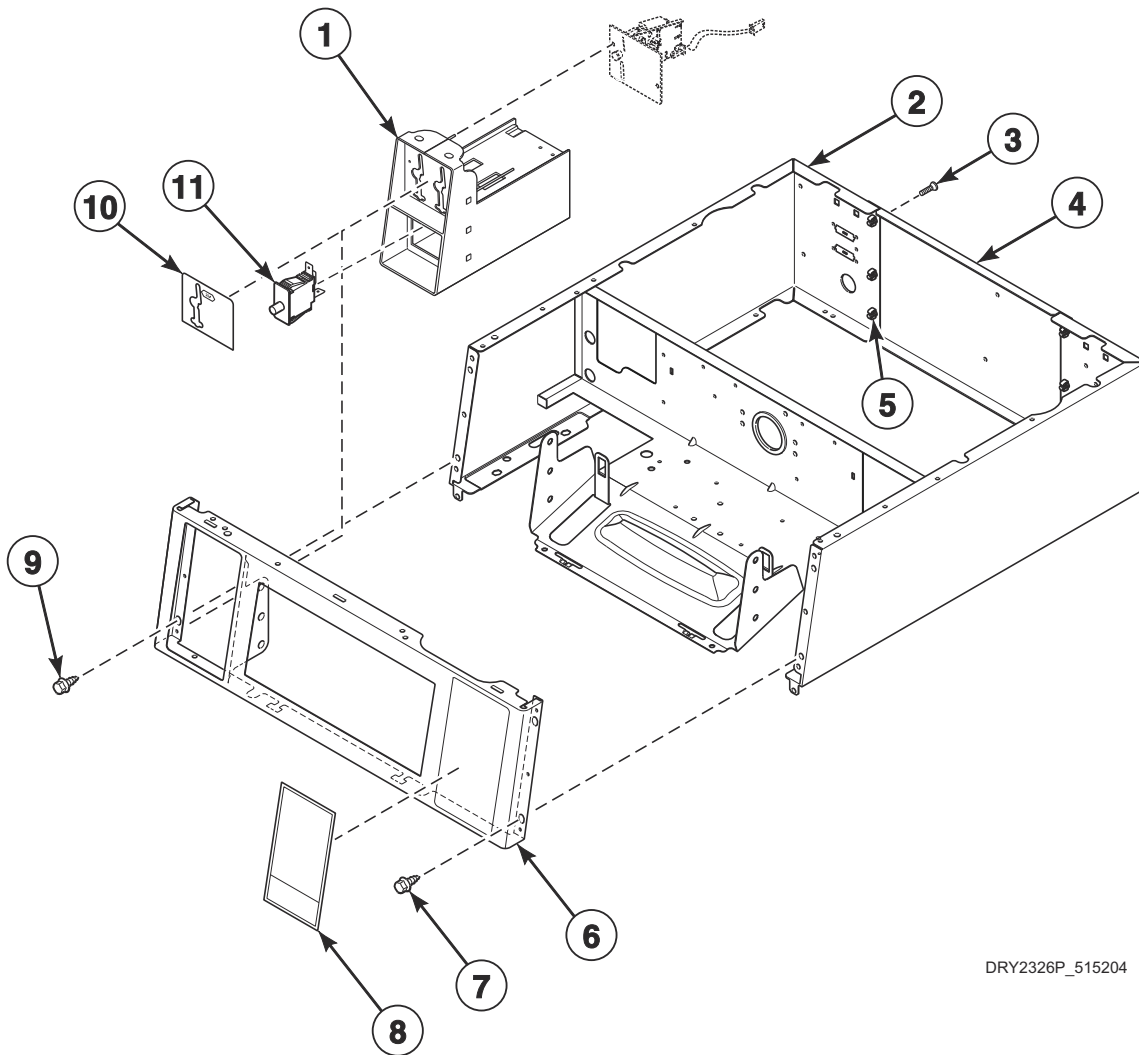
DRY2316P\_515204

## Control Panel and Controls - Front Control

REF	PART NO.	DESCRIPTION	COMMENTS
1	D515807P	Control Assembly	
2	D514261	Control Bracket	2 required
3	804613	Top Panel Brace Assembly	
4	804741	Control Access Panel	Left; Models SDENYBGS173TN01 and SDENYBGS173TW01
5	804627W	Control Wrapper	Left
6	803761	Top Panel Guide	4 required; Use 39733 Screw to attach
7	805345	Rear Wrapper Brace	
8	685847	Pop Rivet	
9	804685WP	Top Panel	Models SDENYBGS173TN01 and SDGNYBGS113TN01
	804684	Top Panel	All other models
10	D503661	Screw	2 required
11	804614	Rear Access Panel	
12	70240301	Screw	4 required
13	804630W	Control Wrapper	Right
14	70030501	Expansion Clip	
15	D503688	Screw	
16	804793	Control Access Panel	Right; Models SDENYBGS173TN01 and SDENYBGS173TW01
17	804608	Screw	
18	D514288	Control Panel Assembly	Models SDENYBGS173TN01 and SDGNYBGS113TN01
	804657W	Control Panel Assembly	All other models
19	D515001	Control Overlay	

# Control Cabinet Controls - Front Control Coin Drop Models

Models PDEJCAGS174TG01, PDEJCAGS174TW01, PDEJEAGS174CG01, PDEJEAGS174CN01, PDEJEAGS174CW01, PDEJXAGS174CG01, PDEJXAGS174CW01, PDEJXAGS174TG01, PDEJXAGS174TW01, PDGJCAGS114TG01, PDGJCAGS114TW01, PDGJEAGS114CG01, PDGJEAGS114CN01, PDGJEAGS114CW01, PDGJXAGS114CG01, PDGJXAGS114CW01, PDGJXAGS114TG01, PDGJXAGS114TW01, SDENCAGS173TN01, SDENCAGS173TW01, SDENCAGW173TN01, SDEWCAGS173TW41, SDEWXAGS153TW01, SDEWXAGS173TW01, SDGNCAGS113TN01, SDGNCAGS113TW01, SDGNCAGW113TN01, SDGWCAGS113TW41 and SDGWXAGS113TW01



DRY2326P\_515204

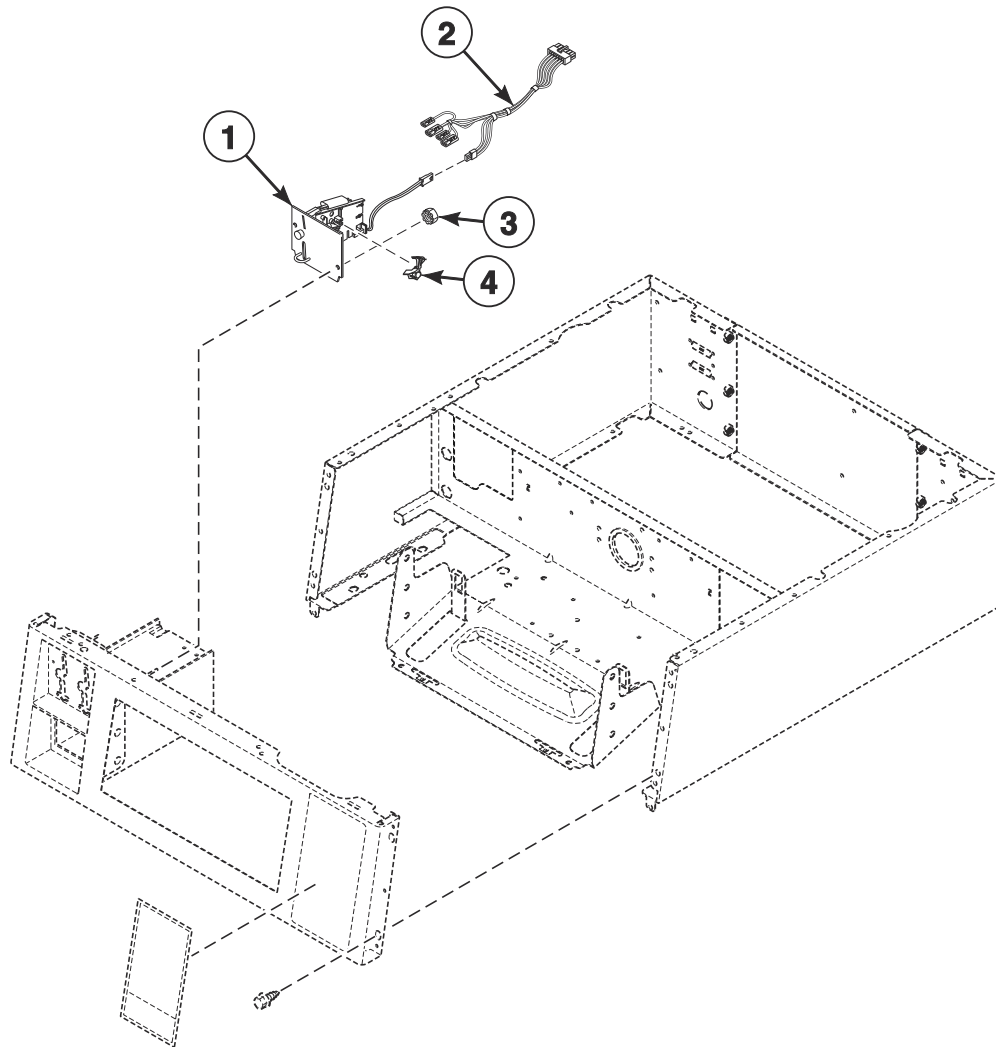


## Control Cabinet Controls - Front Control Coin Drop Models

REF	PART NO.	DESCRIPTION	COMMENTS
	44087201	Nut	2 required; Use with item 9
1	807254DG	Meter Case Assembly	Dark gray; Requires high capacity coin vault
	807396B	Meter Case Assembly	Black; Requires high capacity coin vault
	807396W	Meter Case Assembly	White; Requires high capacity coin vault
2	804104DG	Wrapper Assembly	Dark gray
	804104B	Wrapper Assembly	Black
	804104W	Wrapper Assembly	White
3	70240301	Screw	6 required
4	803998	Rear Access Panel	
5	70030501	Expansion Clip	6 required
6	803962DG	Control Panel	Dark gray
	803962BP	Control Panel	Black
	803962WP	Control Panel	White
7	D503688	Screw	
8	D514393	Operating Instructions Label	
9	29651	Bolt	2 required
10	38717	Single Overlay	
11	D512973	Switch	

# Non-Electronic Coin Drop - Front Control Models

Models PDEJCAGS174TG01, PDEJCAGS174TW01, PDEJEAGS174CG01, PDEJEAGS174CN01,  
PDEJEAGS174CW01, PDEJXAGS174CG01, PDEJXAGS174CW01, PDEJXAGS174TG01,  
PDEJXAGS174TW01, PDGJCAGS114TG01, PDGJCAGS114TW01, PDGJEAGS114CG01,  
PDGJEAGS114CN01, PDGJEAGS114CW01, PDGJXAGS114CG01, PDGJXAGS114CW01,  
PDGJXAGS114TG01, PDGJXAGS114TW01, SDENCAGS173TN01, SDENCAGS173TW01,  
SDENCAGW173TN01, SDEWCAGS173TW41, SDEWXAGS153TW01, SDEWXAGS173TW01,  
SDGNCAGS113TN01, SDGNCAGS113TW01, SDGNCAGW113TN01, SDGWCAGS113TW41 and  
SDGWXAGS113TW01



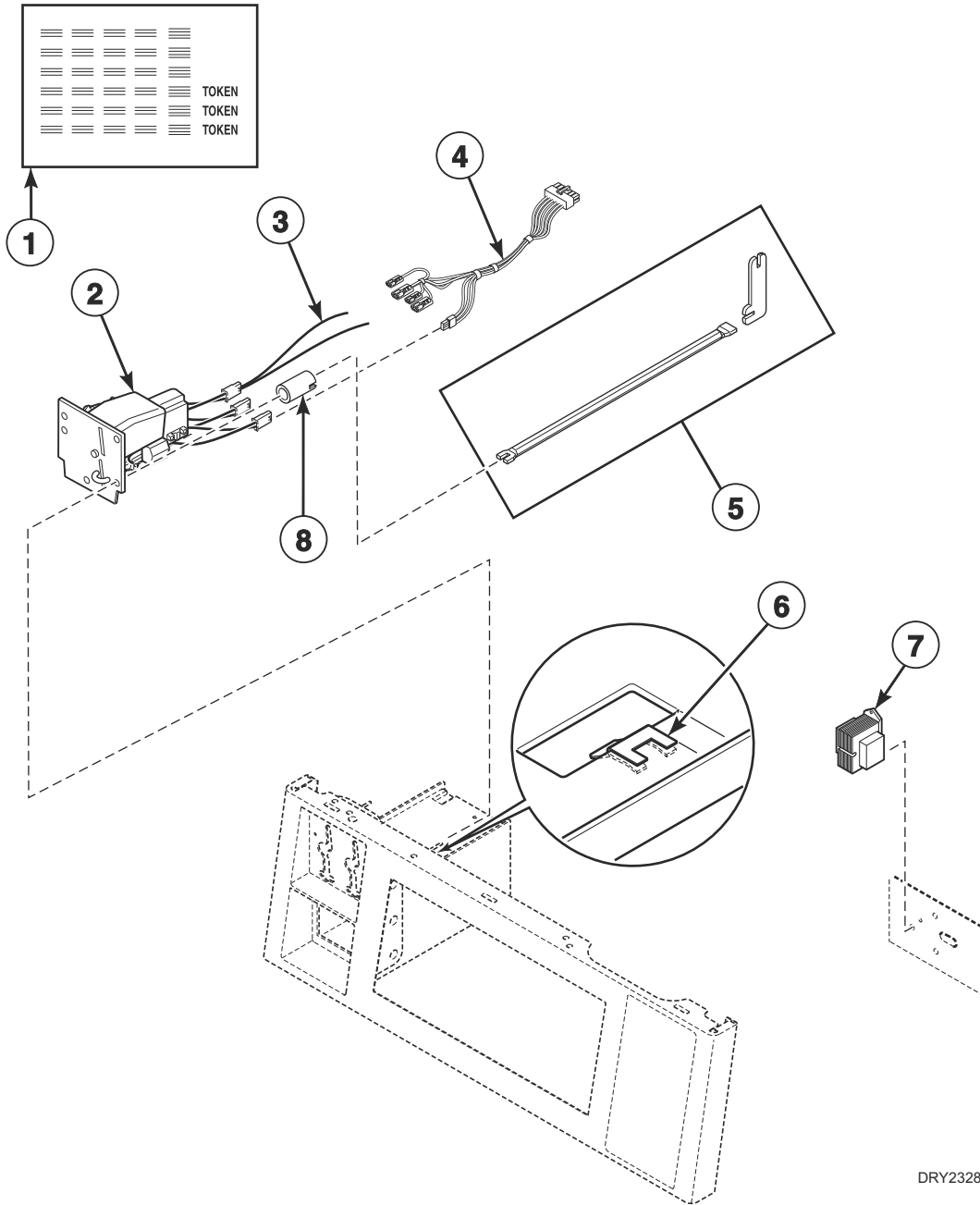
DRY2327P\_515204

## Non-Electronic Coin Drop - Front Control Models

REF	PART NO.	DESCRIPTION	COMMENTS
1	38462P	Coin Drop Assembly	Token; 118-1 mzp
	38463	Coin Drop Assembly	Token; 118-5 mzp
	70441601P	Coin Drop	U.S.; \$.25
	38963P	Coin Drop	Token 118-16 not available; Replacement for 38963P Coin Drop only
2	202870	Single Coin Harness Assembly	
3	29786	Nut	
4	201595P	Wire Guard	Anti-stringing security device

# Electronic Coin Drop - Front Control Models

Models PDEJCAGS174TG01, PDEJCAGS174TW01, PDEJEAGS174CG01, PDEJEAGS174CN01, PDEJEAGS174CW01, PDEJXAGS174CG01, PDEJXAGS174CW01, PDEJXAGS174TG01, PDEJXAGS174TW01, PDGJCAGS114TG01, PDGJCAGS114TW01, PDGJEAGS114CG01, PDGJEAGS114CN01, PDGJEAGS114CW01, PDGJXAGS114CG01, PDGJXAGS114CW01, PDGJXAGS114TG01, PDGJXAGS114TW01, SDENCAGS173TN01, SDENCAGS173TW01, SDENCAGW173TN01, SDEWCAGS173TW41, SDEWXAGS153TW01, SDEWXAGS173TW01, SDGNCAGS113TN01, SDGNCAGS113TW01, SDGNCAGW113TN01, SDGWCAGS113TW41 and SDGWXAGS113TW01



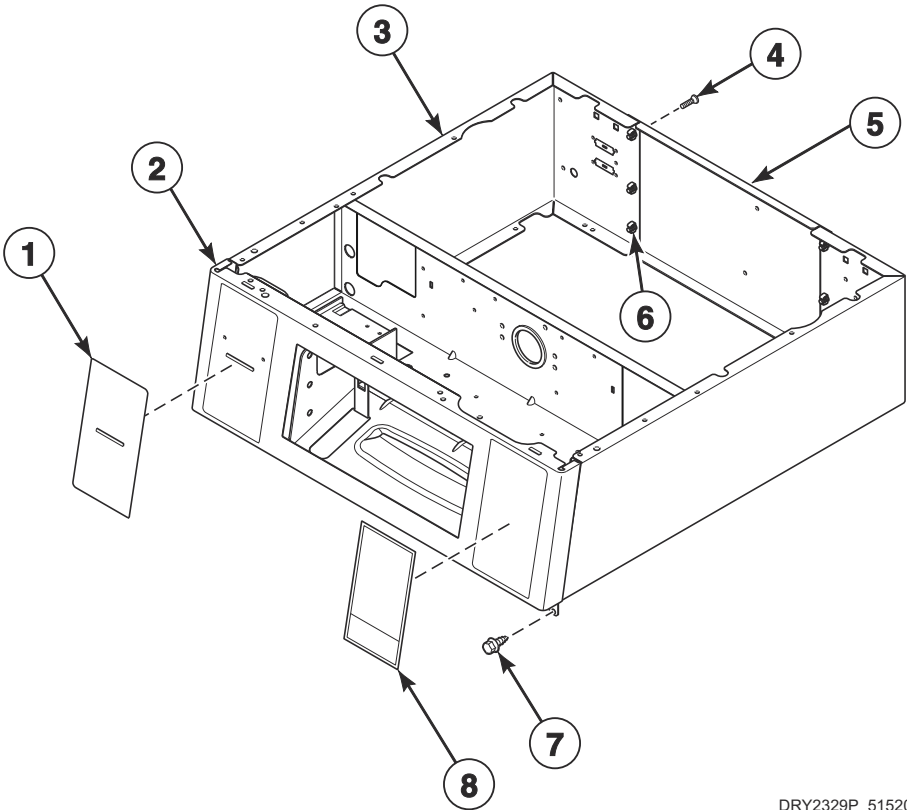
DRY2328P\_515204

## Electronic Coin Drop - Front Control Models

REF	PART NO.	DESCRIPTION	COMMENTS
1	38725	Coin Identification Paper	
2	CK113	Electronic Coin Drop Kit	Japan and Taiwan coins
	CK115	Electronic Coin Drop Kit	United States and Canada coins
3	201104	Coin Drop Wire Harness	
4	202870	Single Coin Harness Assembly	If adding electronic coin drop this harness must be used
5	CK096	Mounting Tool Kit	
6	201572	Clip	
7	202757	Transformer	If adding electronic coin drop this transformer must be used
8	29786	Nut	Hex nut; Use on front assemblies without guide rods

# Control Cabinet Controls - Front Control Card Ready Models

Models SDENYAGS153TW01, SDENYAGS173TN01, SDENYAGS173TW01, SDEWYAGS153TW01, SDEWYAGS153TW41, SDEWYAGS173TW01, SDEWYAGS173TW41, SDGNYAGS113TN01, SDGNYAGS113TW01, SDGNYAGW113TN01, SDGWYAGS113TW01 and SDGWYAGS113TW41



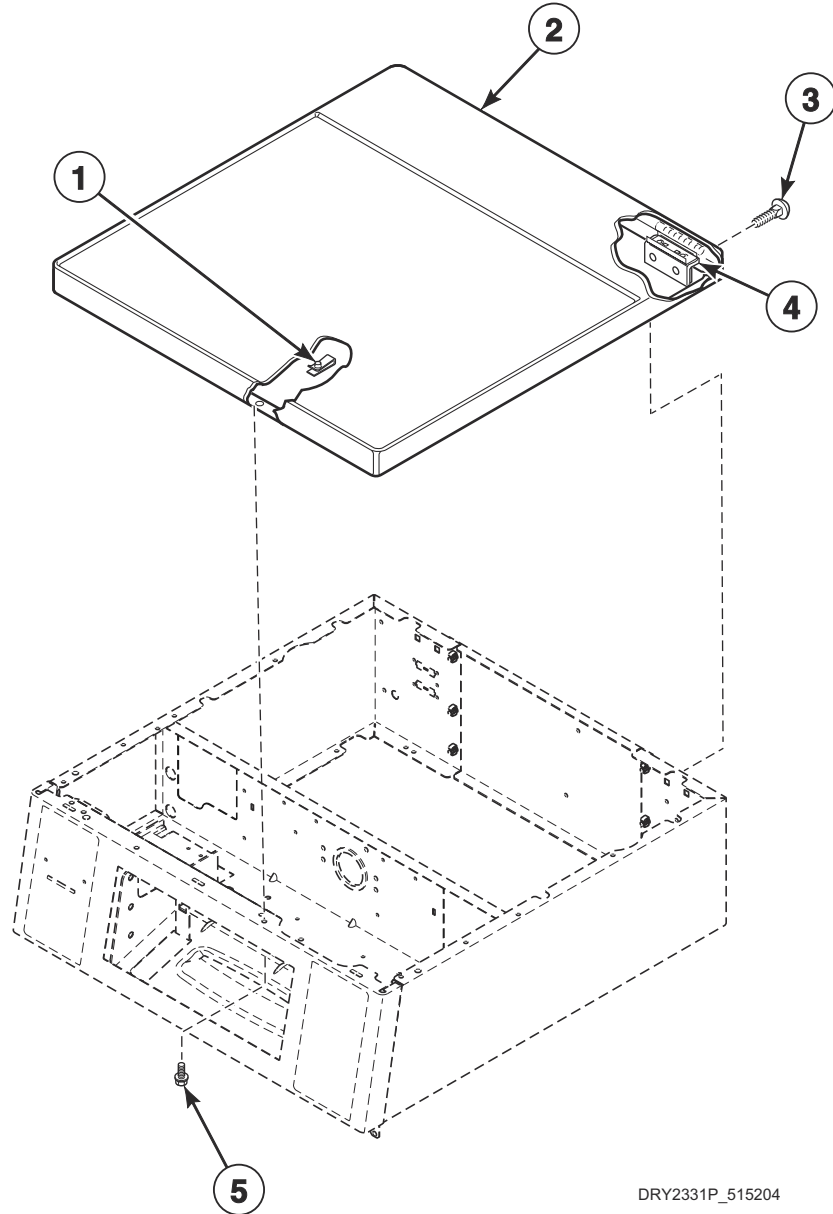
DRY2329P\_515204

# Control Cabinet Controls - Front Control Card Ready Models

REF	PART NO.	DESCRIPTION	COMMENTS
1	D514391	Card Insert Overlay	
2	804149B	Security Cabinet Assembly	Models SDENYAGS173TN01, SDGNYAGS113TN01 and SDGNYAGW113TN01
	804149WP	Security Cabinet Assembly	White; All other models
3	804112B	Wrapper Assembly	Models SDENYAGS173TN01, SDGNYAGS113TN01 and SDGNYAGW113TN01
	804112W	Wrapper Assembly	White; All other models
4	70240301	Screw	6 required
5	803998	Rear Access Panel	
6	70030501	Expansion Clip	6 required
7	D503688	Screw	
8	D514393	Operating Instructions Label	

## Cabinet Top - Front Control Models

Models PDEJCAGS174TG01, PDEJCAGS174TW01, PDEJEAGS174CG01, PDEJEAGS174CN01, PDEJEAGS174CW01, PDEJXAGS174CG01, PDEJXAGS174CW01, PDEJXAGS174TG01, PDEJXAGS174TW01, PDGJCAGS114TG01, PDGJCAGS114TW01, PDGJEAGS114CG01, PDGJEAGS114CN01, PDGJEAGS114CW01, PDGJXAGS114CG01, PDGJXAGS114CW01, PDGJXAGS114TG01, PDGJXAGS114TW01, SDENCAGS173TN01, SDENCAGS173TW01, SDENCAGW173TN01, SDENYAGS153TW01, SDENYAGS173TN01, SDENYAGS173TW01, SDEWCAGS173TW41, SDEWXAGS153TW01, SDEWXAGS173TW01, SDEWYAGS153TW01, SDEWYAGS153TW41, SDEWYAGS173TW01, SDEWYAGS173TW41, SDGNCAGS113TN01, SDGNCAGS113TW01, SDGNCAGW113TN01, SDGNYAGS113TN01, SDGNYAGS113TW01, SDGNYAGW113TN01, SDGWCAGS113TW41, SDGWXAGS113TW01, SDGWYAGS113TW01 and SDGWYAGS113TW41



DRY2331P\_515204

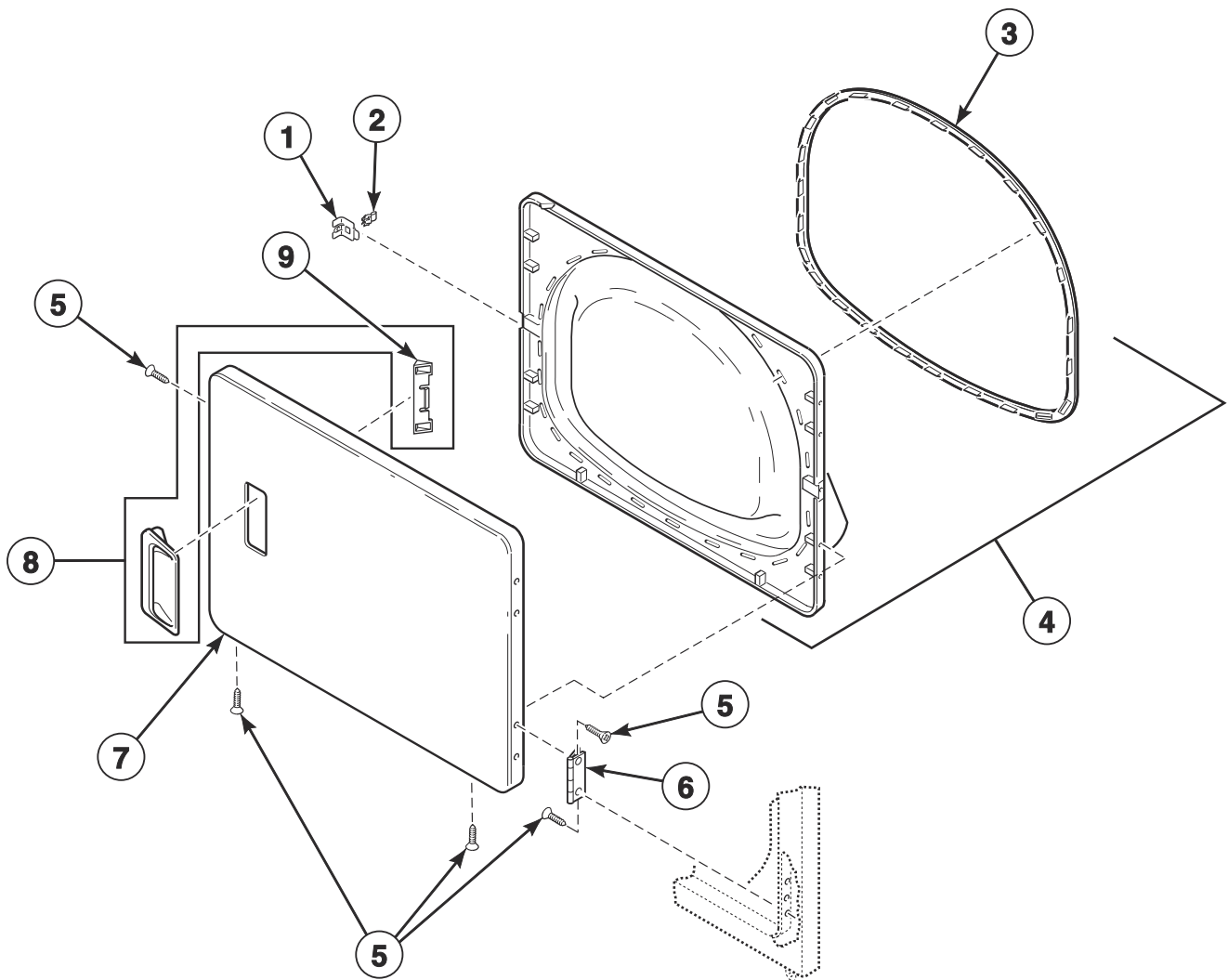


## Cabinet Top - Front Control Models

REF	PART NO.	DESCRIPTION	COMMENTS
1	36020	Nut	
2	804023DG	Top Panel	Dark gray
	803869	Top Panel	Stainless steel
	803868WP	Top Panel	White
3	29651	Bolt	
4	D504228	Top Mounting Bracket	
5	23008	Screw	

# Loading Door without Window

All Models Except SDENCAGW173TN01, SDGNCAGW113TN01 and SDGNYAGW113TN01



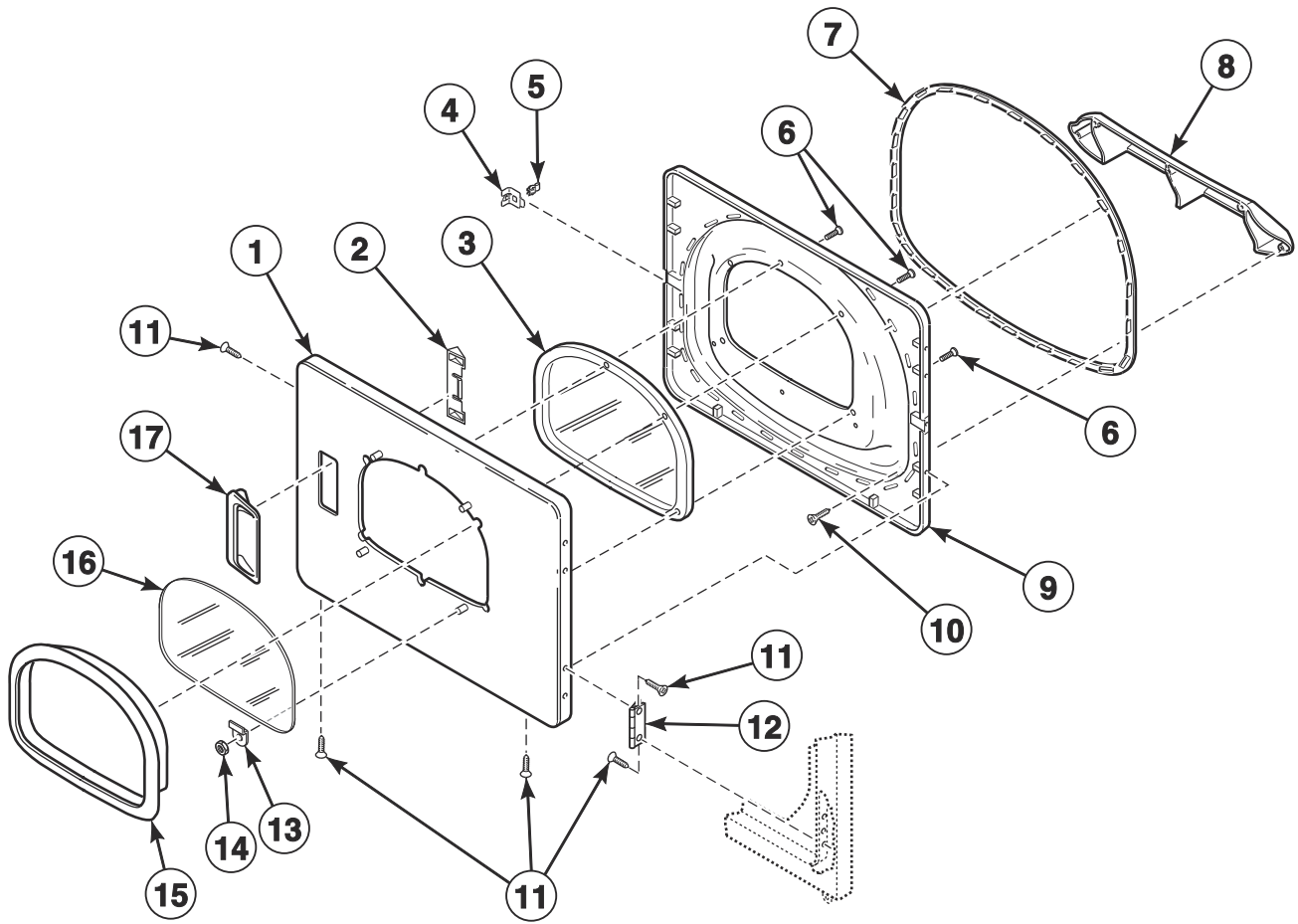
DRY1857P\_515204

## Loading Door without Window

REF	PART NO.	DESCRIPTION	COMMENTS
1	D510127	Door Strike Mount	Through Serial No. 1706999999
2	D510181	Door Strike	
3	D510147P	Liner Door Seal	Through Serial No. 1706999999
4	D510163WP	Liner, Seal and Grill Assembly	Models PDGJCAGS114TG01, PDGJCAGS114TW01, PDGJEAGS114CG01, PDGJEAGS114CW01, PDGJXAGS114CG01, PDGJXAGS114CW01, PDGJXAGS114TG01, PDGJXAGS114TW01, SDGNCAGS113TW01, SDGNCRGS113TW01, SDGNCRGS113TW02, SDGNXRGS113TW01, SDGNXRGS113TW02, SDGNYAGS113TW01, SDGNYBGS113TN01, SDGNYRGS113TW01, SDGWCAGS113TW41, SDGWCGRGS113TW42, SDGWXAGS113TW01, SDGWXRGS113TW02, SDGWYAGS113TW01, SDGWYRGS113TW41, SDGWYRGS113TW01 and SDGWYRGS113TW41; Through Serial No. 1706999999
	D516510WP	Door Assembly	Models PDEJCAGS174TG01, PDEJCAGS174TW01, PDEJEAGS174CG01, PDEJEAGS174CW01, PDEJXAGS174CG01, PDEJXAGS174CW01, PDEJXAGS174TG01, PDEJXAGS174TW01, SDENCAGS173TW01, SDENCRGS153TW01, SDENCRGS153TW02, SDENCRGS173TW01, SDENCRGS173TW02, SDENXRGS173TW01, SDENXRGS173TW02, SDENYAGS153TW01, SDENYAGS173TW01, SDENYBGS173TW01, SDENYRGS153TW01, SDENYRGS173TW01, SDEWCAGS173TW41, SDEWCGRGS153TW42, SDEWCGRGS173TW42, SDEWXAGS153TW01, SDEWXAGS173TW01, SDEWXRGS153TW02, SDEWXRGS173TW02, SDEWYAGS153TW01, SDEWYAGS153TW41, SDEWYAGS173TW01, SDEWYAGS173TW41, SDEWYRGS153TW01, SDEWYRGS153TW41, SDEWYRGS173TW01 and SDEWYRGS173TW41; Through Serial No. 1706999999
	D516508	Door Liner Assembly	Models PDEJEAGS174CN01, PDGJEAGS114CN01, SDENCAGS173TN01, SDENYAGS173TN01, SDENYBGS173TN01, SDGNCAGS113TN01, SDGNYAGS113TN01 and SDGNYBGS113TW01; All other models starting Serial No. 1707000001
5	D505295	Screw	
6	D511036	Hinge	
7	D510013DG	Dryer Door	Dark gray
	D510013WP	Dryer Door	White
	D512969	Dryer Door	Stainless steel
8	D512947	Door Pull	Includes item 9; Light gray
	D510103WP	Door Pull and Wedge Kit	Includes item 9; White
	D511213P	Door Pull and Wedge Kit	Includes item 9; Black
9	D510129W	Door Handle Wedge	

# Loading Door with Window

Models SDENCAGW173TN01, SDGNCAGW113TN01 and SDGNYAGW113TN01

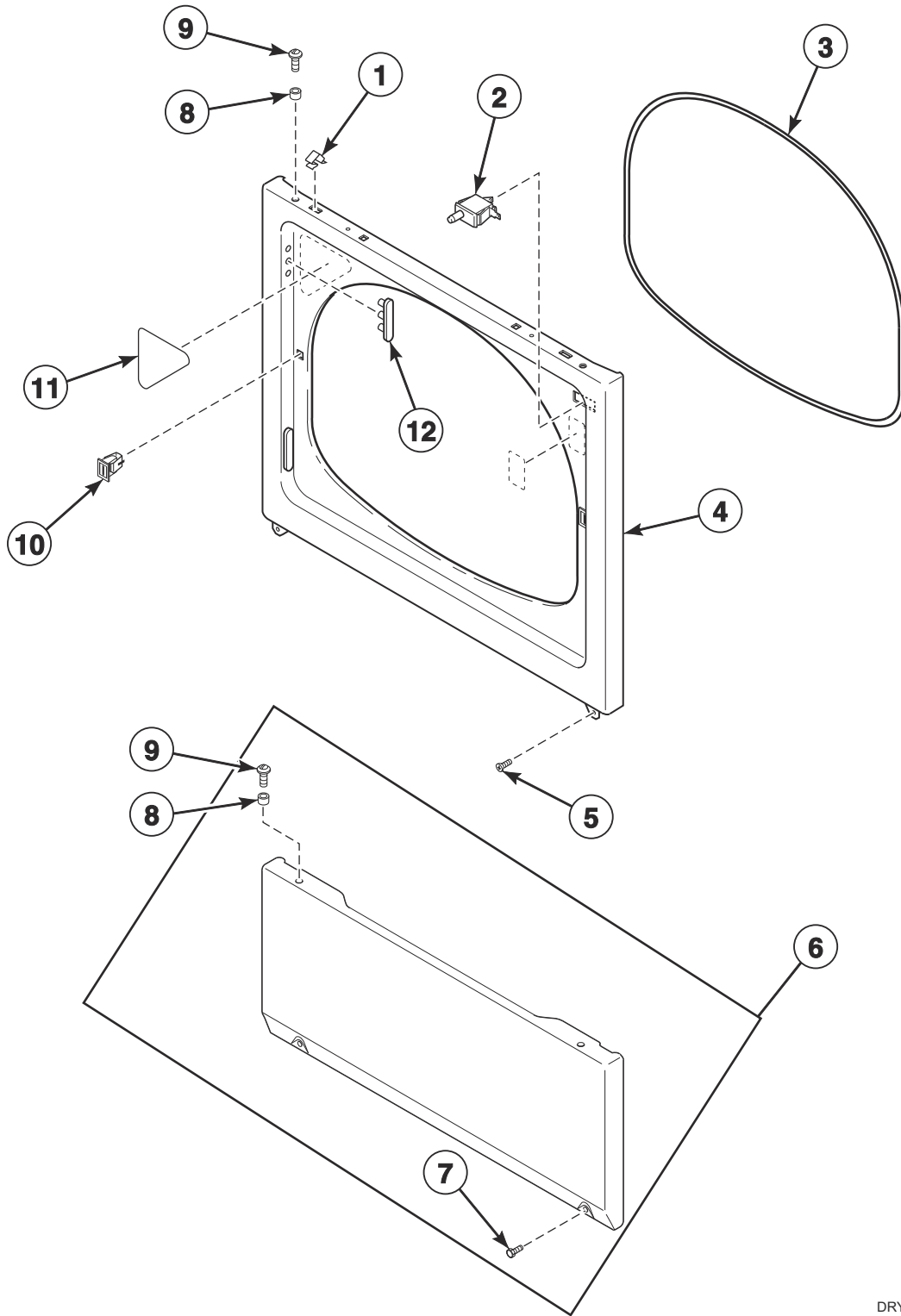


DRY2296P\_515204

## Loading Door with Window

REF	PART NO.	DESCRIPTION	COMMENTS
1	D513225	Dryer Door	Through Serial No.1706999999
	D515963	Dryer Door	Starting Serial No. 1707000001
2	D510129W	Door Handle Wedge	
3	D503982P	Dryer Door Window	Through Serial No.1706999999
	D515681	Dryer Door Window	Starting Serial No. 1707000001
4	D510127	Door Strike Mount	Through Serial No.1706999999
5	D510181	Door Strike	
6	D505870	Screw	Through Serial No.1706999999
	D515967	Screw	Starting Serial No. 1707000001
7	D510147P	Liner Door Seal	Through Serial No.1706999999
8	D503870LG	Door Liner Grill	
9	D516737W	Door Assembly	Through Serial No.1706999999
	D516509	Liner and Seal Assembly	Includes seal; Starting Serial No. 1707000001
10	D505870	Screw	
11	D500226	Screw	
12	D511036	Hinge	
13	D513958	Window Clip	Model SDENCAGW173TN01; Through Serial No.1706999999
14	44071201	Nut	Model SDENCAGW173TN01; Through Serial No.1706999999
15	D516737W	Door Assembly	Through Serial No.1706999999
	D515956W	Window Trim	Starting Serial No. 1707000001
16	D516737W	Door Assembly	Model SDENCAGW173TN01; Through Serial No.1706999999
17	D511213P	Door Pull and Wedge Kit	Black; Includes item 2

# Access Panel, Front Panel and Seal

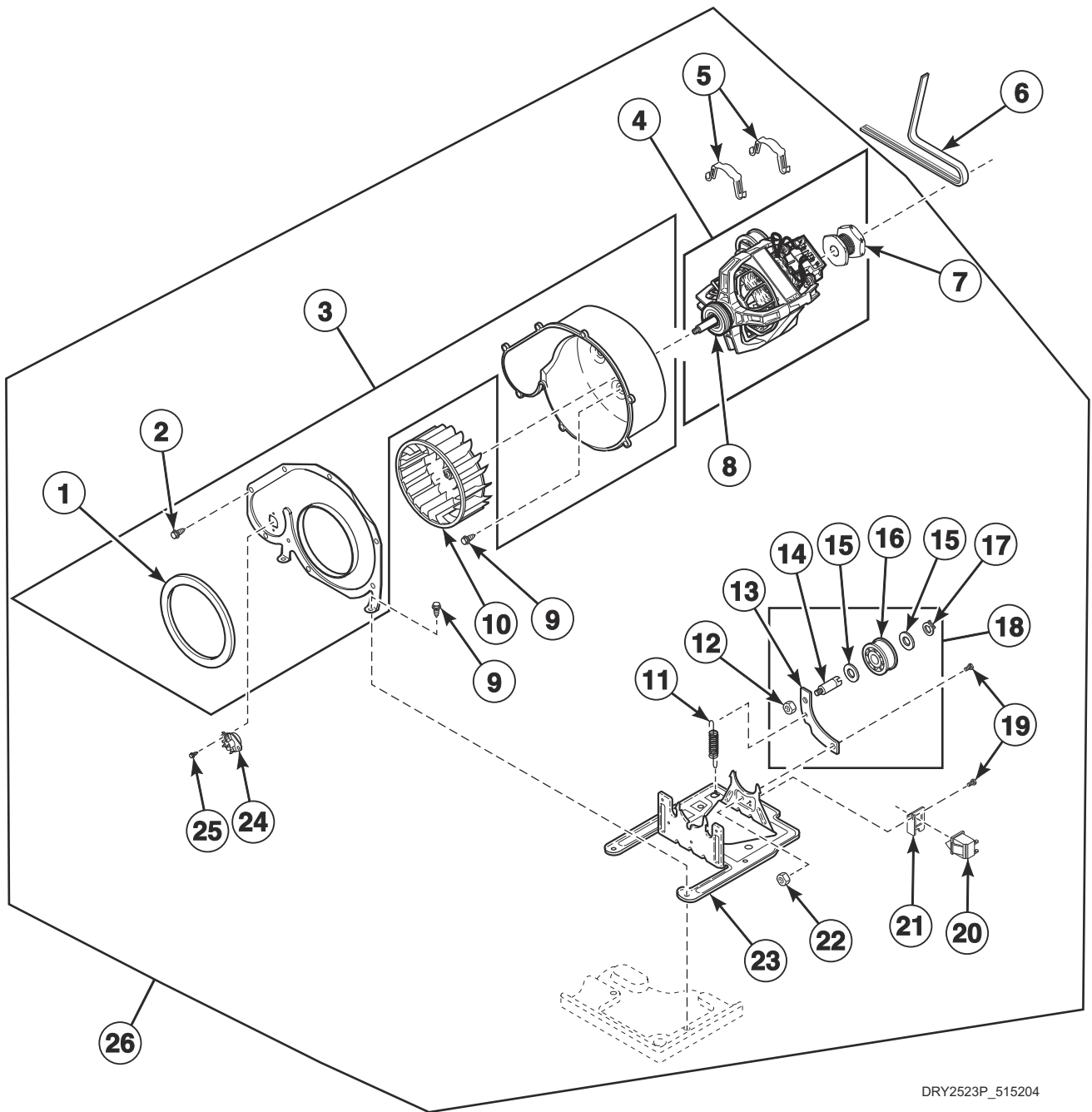


DRY1824P\_515204

## Access Panel, Front Panel and Seal

REF	PART NO.	DESCRIPTION	COMMENTS
1	28835	Speed Clip	1 per side
2	D512973	Switch	
3	D511056	Front Panel Seal	
4	D512542	Front Panel	Models PDEJEAGS174CN01, PDGJEAGS114CN01, SDENCAGS173TN01, SDENCAGW173TN01, SDENYAGS173TN01, SDENYBGS173TN01, SDGNCAGS113TN01, SDGNCAGW113TN01, SDGNYAGS113TN01, SDGNYAGW113TN01 and SDGNYBGS113TN01
	D510066WP	Front Panel	White; All other models
	D510066DG	Front Panel	Dark gray; All other models
5	D503688	Screw	
6	D514251	Access Panel Assembly	Models PDEJEAGS174CN01, PDGJEAGS114CN01, SDENCAGS173TN01, SDENCAGW173TN01, SDENYAGS173TN01, SDENYBGS173TN01, SDGNCAGS113TN01, SDGNCAGW113TN01, SDGNYAGS113TN01, SDGNYAGW113TN01 and SDGNYBGS113TN01
	D514250WP	Access Panel Assembly	White; All other models
	D514250DG	Access Panel Assembly	Dark gray; All other models
7	33562	Screw	Slotted hex head
	62853	Screw	Torx head; Optional for added security
8	56079	Panel Locator	1 per side
9	D512921	Screw	Models PDEJEAGS174CN01, PDGJEAGS114CN01, SDENCAGS173TN01, SDENCAGW173TN01, SDENYAGS173TN01, SDENYBGS173TN01, SDGNCAGS113TN01, SDGNCAGW113TN01, SDGNYAGS113TN01, SDGNYAGW113TN01 and SDGNYBGS113TN01
	39733	Screw	1 per side; All other models
10	D510177	Door Catch Assembly	
11	D500281	Warning/Caution Label	
12	D510186	Hinge Hole Plug	

# Motor, Exhaust Fan and Belt



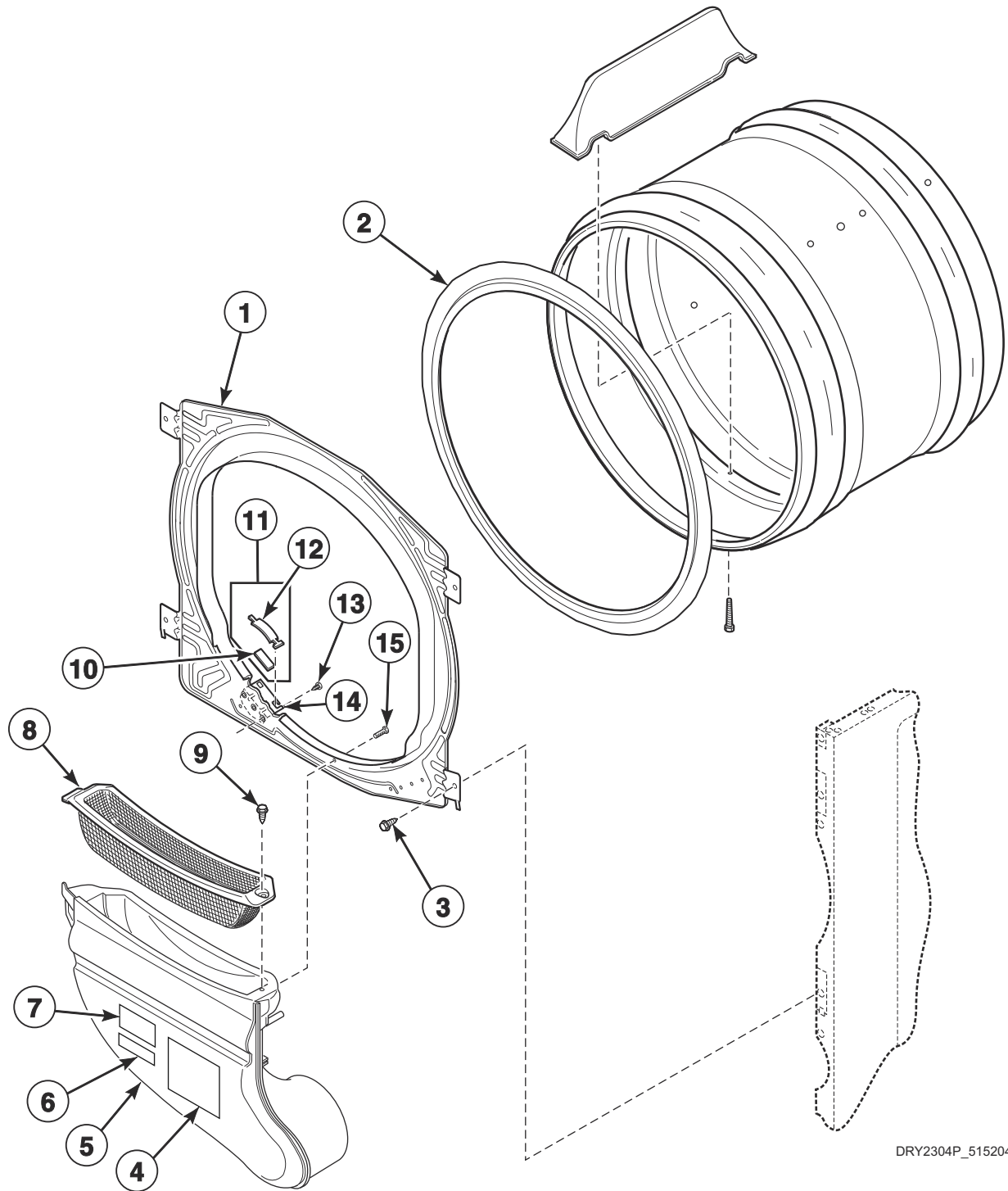
DRY2523P\_515204



## Motor, Exhaust Fan and Belt

REF	PART NO.	DESCRIPTION	COMMENTS
	27604P	Anti-Seize Compound	Apply to motor shaft when installing blower fan assembly
1	D510238P	Blower Housing Seal	
2	31260	Screw	
3	D511969WP	Blower Housing	Includes items 1 and 2
4	D511629P	Motor and Pulley Assembly	120 Volt/60 Hertz; Apply anti-seize compound to motor shaft when installing blower fan assembly; Includes items 7 and 8
5	D510180	Motor Mount Clamp	
6	D511255P	Cylinder Belt	
7	D500011	Motor Pulley	60 Hertz
8	590P3	Motor Hub Ring Kit	
9	D503688	Screw	
10	D510139P	Blower Fan Assembly	Apply anti-seize compound to motor shaft when installing blower fan assembly
11	D510185	Idler Spring	
12	56156	Nut	
13	D516310	Idler Lever	
14	56461P	Shaft	
15	52549	Washer	
16	D510142P	Idler Wheel and Bearing Assembly	
17	23748	Retaining Ring	
18	D516792	Idler Lever and Wheel Assembly	Includes items 12-17
19	D500824	Screw	
20	D516391	Switch	Starting Serial No. 1903000001
21	D516311	Motor Switch Bracket	Starting Serial No. 1903000001
22	52566	Nut	
23	D510060	Motor Mount	
24	D510523	Thermistor Assembly	Black
25	D502535	Screw	
26	D510717P	Blower and Fan Kit	Includes items 1-5 and 7-21; Through Serial No. 1903000001

# Front Bulkhead, Air Duct and Felt Seal

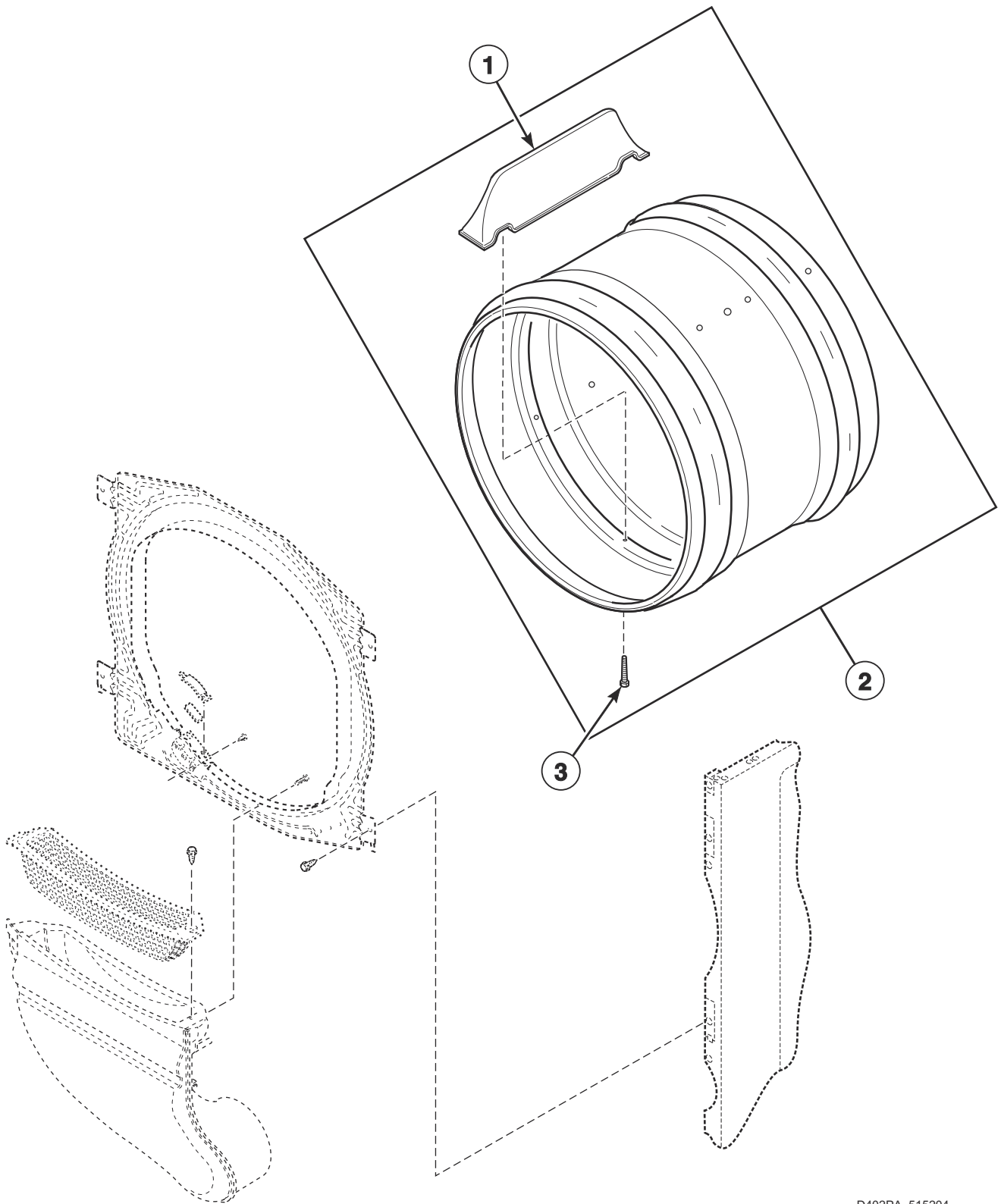


DRY2304P\_515204

## Front Bulkhead, Air Duct and Felt Seal

REF	PART NO.	DESCRIPTION	COMMENTS
1	D510266P	Front Bulkhead Assembly	Unpainted; Includes item 2 and 7-10
2	D510207P	Cylinder Seal Assembly	
	D511637P	Adhesive	Apply to cylinder seal
	RB170001	Seal Kit	Includes 2 cylinder seals, D510238P Blower Housing Seal and Adhesive
3	M405188	Screw	Use with stainless steel side panels
	D503688	Screw	Use with painted side panels
4	D511004	Gas Clearance Label	Gas models
5	D515805LG	Air Duct Assembly	Electric models; Gas models starting Serial No. 1606000839
	D510151W	Air Duct Assembly	Gas models through Serial No. 1606000838
6	61294	Fuse Notice Label	Electric models
7	D500049	Warning Label	
8	D503980LG	Lint Filter	Electric models; Gas models starting Serial No. 1606000839
	D503980W	Lint Filter	Gas models through Serial No. 1606000838
9	D501285	Screw	
10	D510189	Felt Pad	1 per side
11	RB170003	Glide Kit	Includes items 7 and 9; Quantity: 2 of each item
12	D513710	Cylinder Glide	1 per side
13	52864	Screw	2 per side
14	D510145	Cylinder Glide Bracket	1 per side
15	D505295	Screw	1 per side

# Cylinder Assembly

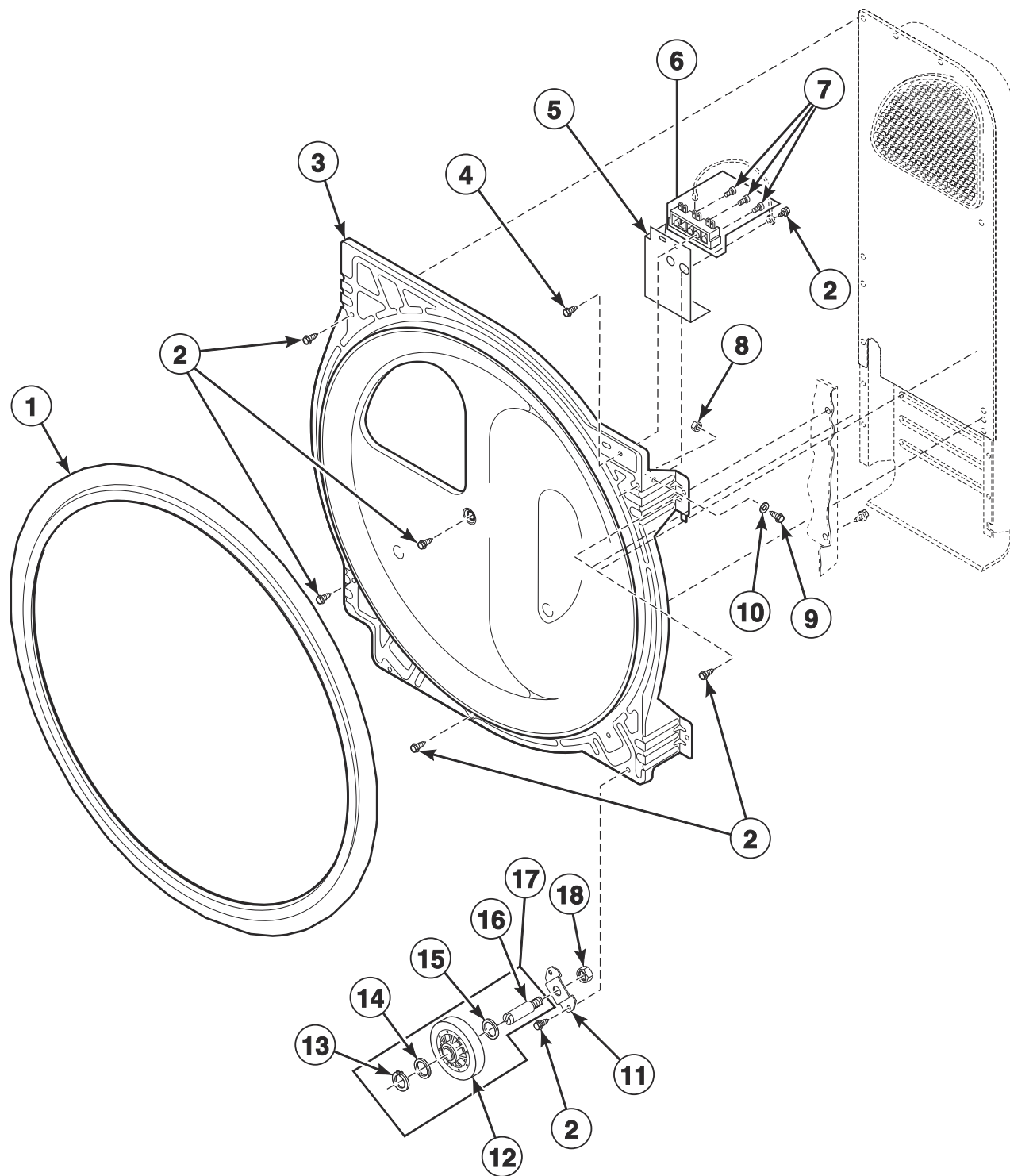


D402PA\_515204

# Cylinder Assembly

REF	PART NO.	DESCRIPTION	COMMENTS
1	D510102LG	Cylinder Baffle	Gray
	D510102W	Cylinder Baffle	White
2	D510265LGP	Cylinder Assembly	Galvanized; Includes 3 of item 1 and 6 of item 3; Gray baffles
	D510265WP	Cylinder Assembly	Galvanized; Includes 3 of item 1 and 6 of item 3; White baffles
3	62588	Screw	

# Rear Bulkhead, Felt Seal, Cylinder Roller and Terminal Block

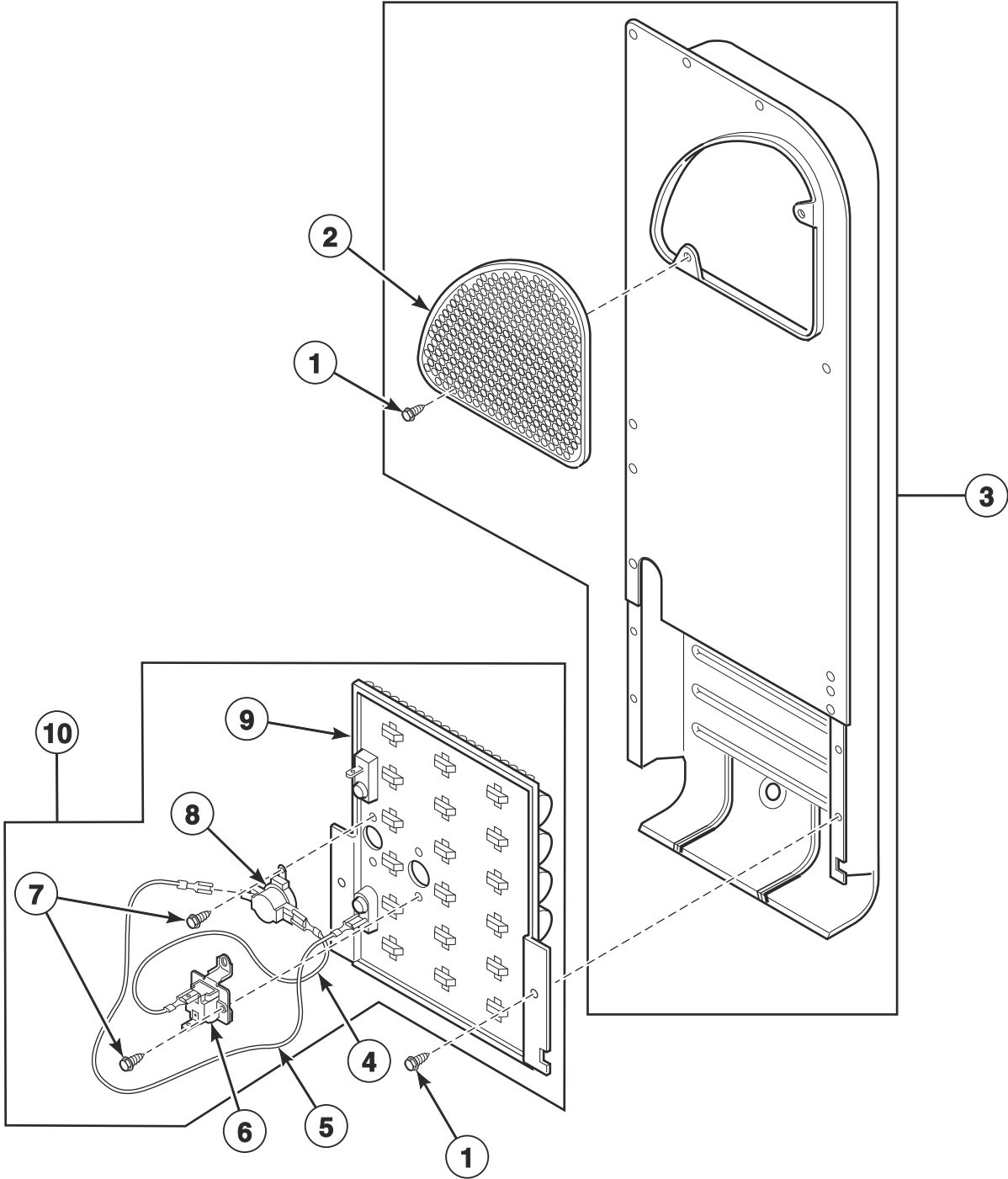


DRY1774P\_515204

## Rear Bulkhead, Felt Seal, Cylinder Roller and Terminal Block

REF	PART NO.	DESCRIPTION	COMMENTS
1	D510207P	Cylinder Seal Assembly	
	D511637P	Adhesive	Apply to cylinder seal
	RB170001	Seal Kit	Includes 2 cylinder seals, D510238P Blower Housing Seal and Adhesive
2	D503688	Screw	
3	D511082P	Rear Bulkhead Assembly	Galvanized; Includes item 1
4	D501285	Screw	Electric models
5	D510237	Terminal Block Shield	Electric models; Through Serial No. 1903000001
6	D510190P	Terminal Block Assembly	Includes 3 of item 7; Electric models
7	61199	Screw	
8	28447	Nut	
9	28448	Screw	
10	28449	Washer	
11	D510100	Cylinder Roller Bracket	
12	D510708P	Cylinder Roller	
13	23748	Retaining Ring	
14	52549	Washer	
15	D504082	Washer	
16	56461P	Shaft	
17	RB170002	Roller Kit	Includes items 12-16
18	56156	Nut	

# Heater Duct and Element Assembly - Electric Model Dryers



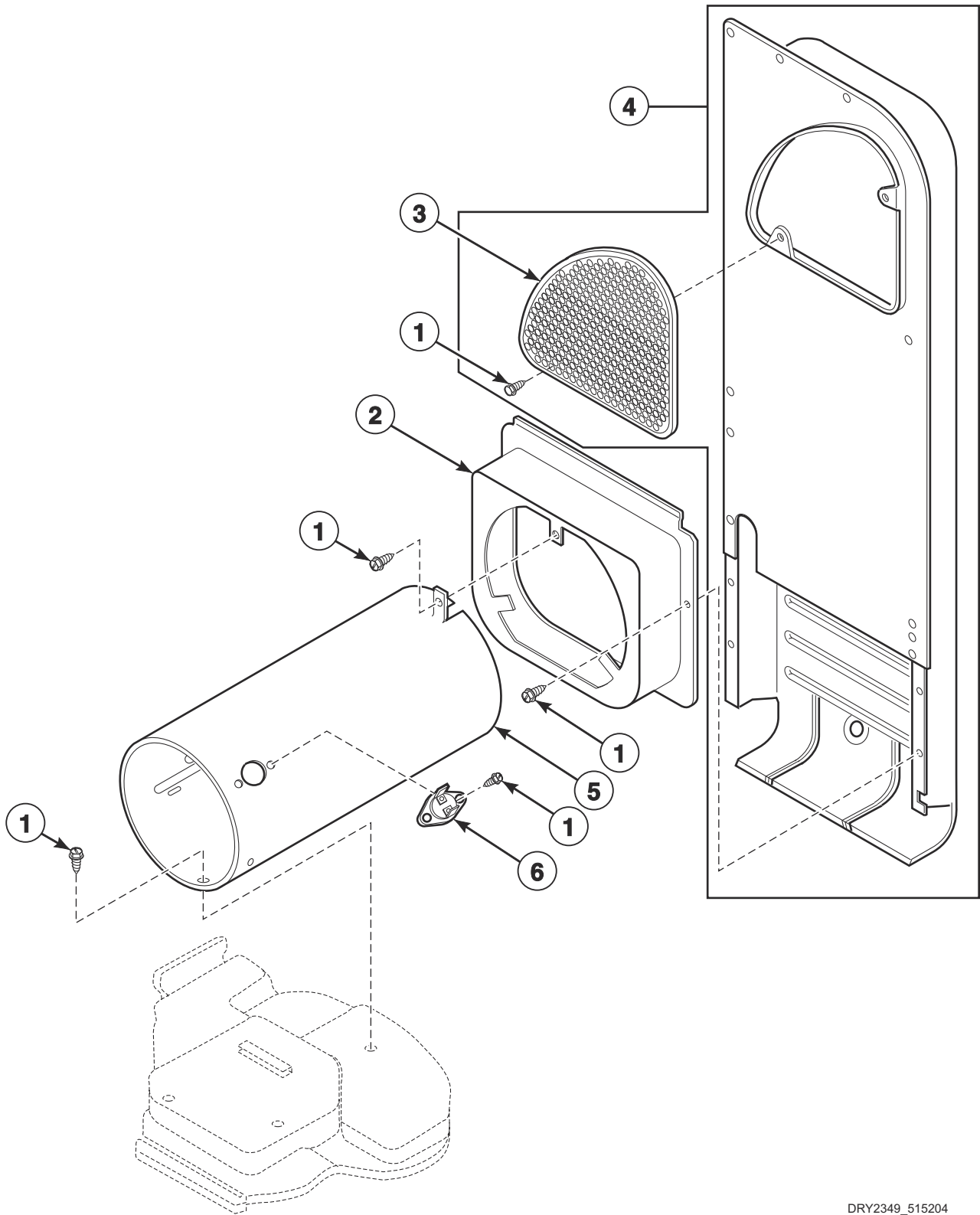
DRY1789P\_515204



## Heater Duct and Element Assembly - Electric Model Dryers

REF	PART NO.	DESCRIPTION	COMMENTS
1	D503688	Screw	
2	D500820	Outlet Cover	
	D515573	Outlet Cover	Black
3	D510025P	Heater Duct Assembly	Includes items 1 and 2
4	D510528	Wire Assembly	Orange; Thermostat jumper; Attaches to heater assembly
5	D510527	Wire Assembly	Black; Fuse jumper; Attaches to heater assembly
6	D511412	Thermal Fuse Assembly	
7	23222	Screw	
8	D510701	Limit Thermostat	
9	D510325P	Heater	4.75 kW; 208 Volt; Models SDENCRGS153TW01, SDENCRGS153TW02, SDENYAGS153TW01, SDENYRGS153TW01, SDEWCRGS153TW42, SDEWXAGS153TW01, SDEWYAGS153TW01, SDEWYAGS153TW41, SDEWYRGS153TW01 and SDEWYRGS153TW41
	D510329P	Heater Assembly	5.35 kW; 240 Volt; All other models
10	61928	Heater Kit Assembly	4.75 kW; 208 Volt; Includes items 4-9
	964P3	Heater Kit	5.35 kW; 240 Volt; Includes items 4-9

# Heater Duct Assembly - Gas Model Dryers

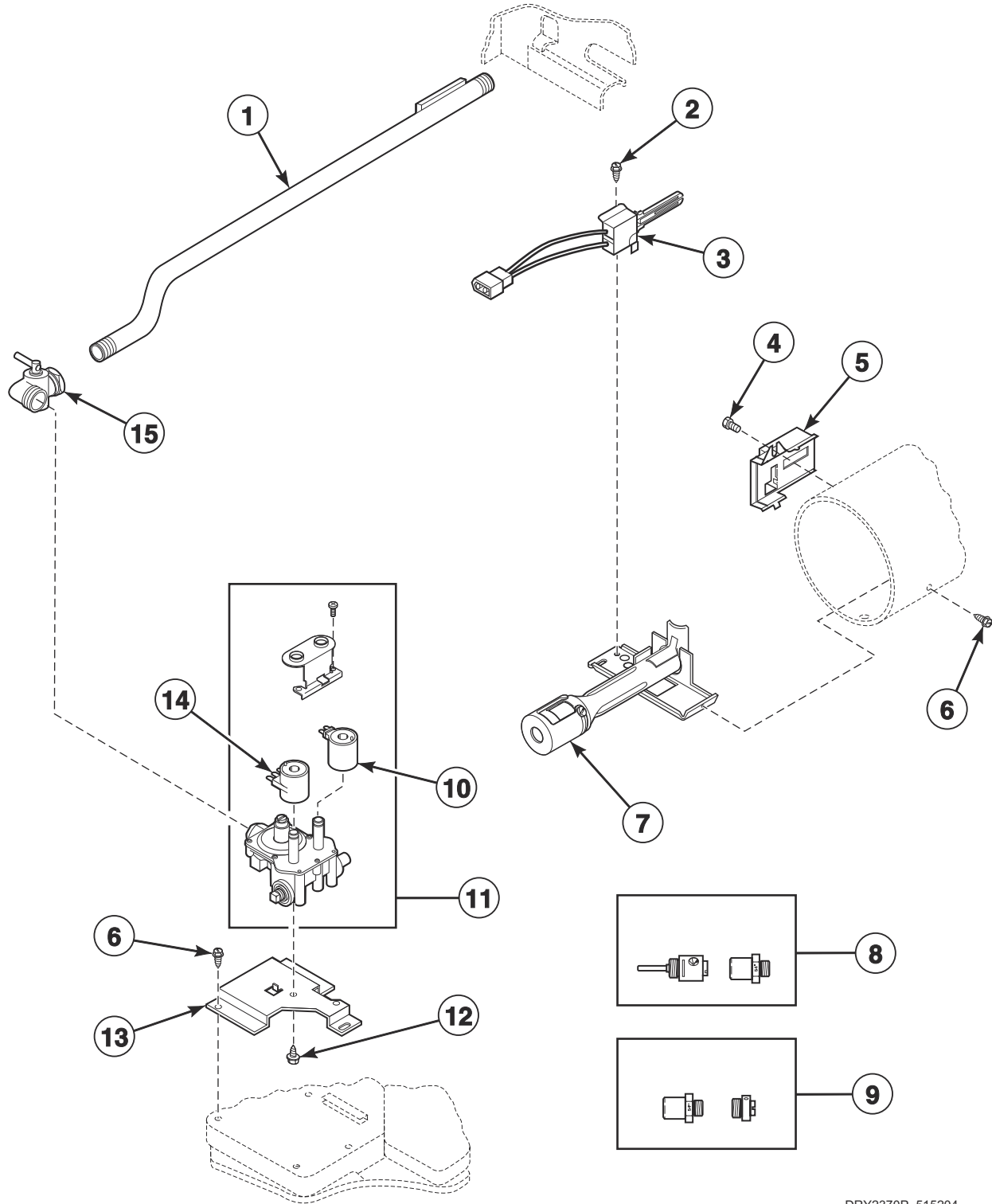


DRY2349\_515204

## Heater Duct Assembly - Gas Model Dryers

REF	PART NO.	DESCRIPTION	COMMENTS
1	51782	Screw	
2	D510101	Heat Duct Shroud	
3	D500820	Outlet Cover	
	D515573	Outlet Cover	Black
4	D510025P	Heater Duct Assembly	Includes items 1 and 3
5	D510131	Combustion Duct	
6	D510702	Limit Thermostat	Black; Auto reset

# Gas Valve, Igniter and Gas Conversion Kits Gas Models Through Serial No. 190800001



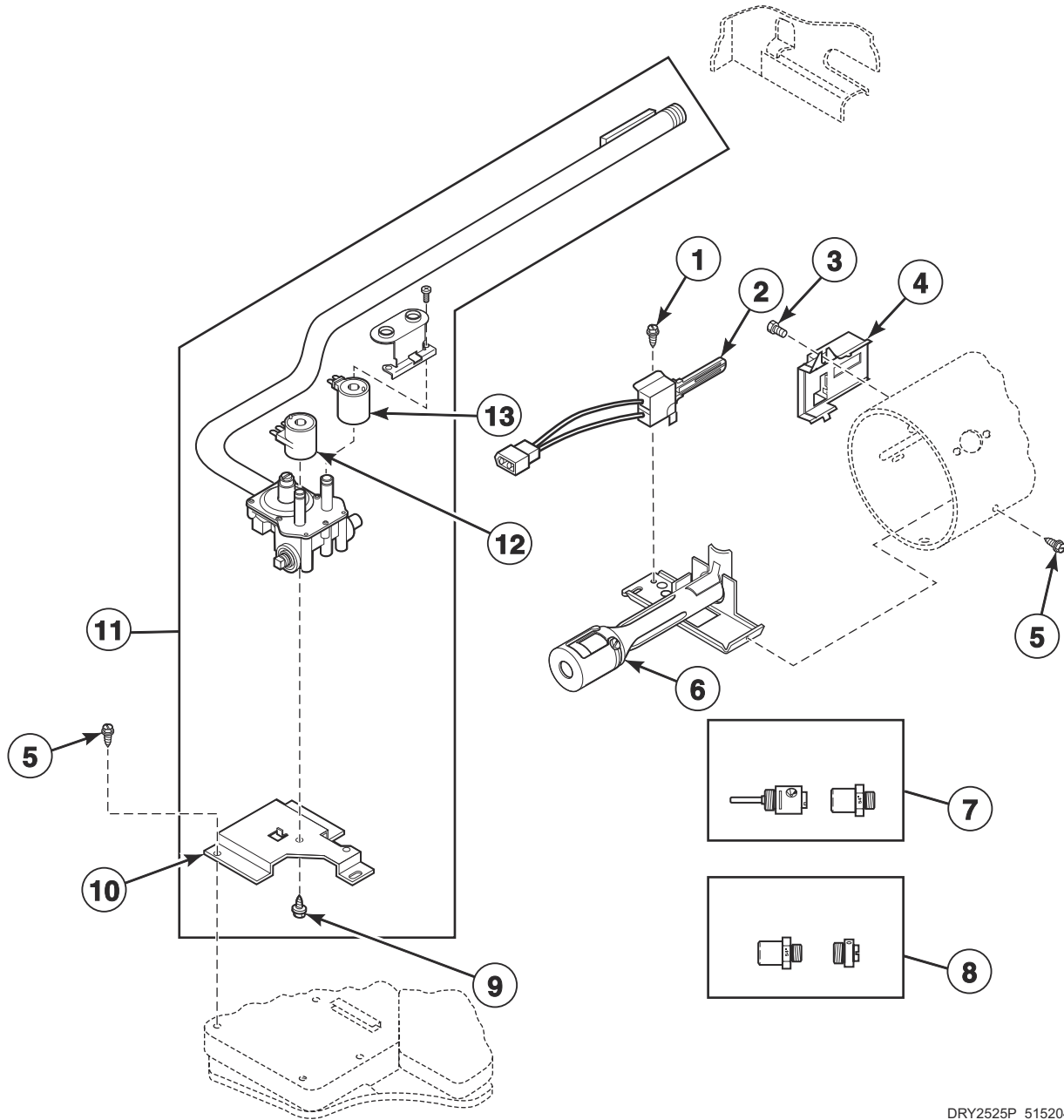
DRY2370P\_515204

## Gas Valve, Igniter and Gas Conversion Kits Gas Models Through Serial No. 1908000001

REF	PART NO.	DESCRIPTION	COMMENTS
1	D510204	Lead-In Pipe Assembly	
2	51782	Screw	
3	D510184P	Igniter and Bracket Assembly	
4	23222	Screw	
5	D510213	Sensor	
6	D503688	Screw	
7	D510149P	Burner Assembly	
8	458P3	L.P. Conversion Kit	Used to convert dryers from Natural Gas (N.G.) or Mixed Gas to Liquid Petroleum Gas (L.P.) for 25,000 Btu
9	459P3	N.G. Conversion Kit	Used to convert dryers from L.P. to N.G. or Mixed Gas for 25,000 Btu
10	58804B	Secondary Coil	
11	60353P	Gas Valve Assembly	60 Hertz; 25,000 Btu; N.G.; Includes items 10 and 14
12	56124	Screw	
13	D510128	Gas Valve Mounting Bracket	
14	58804A	Booster and Holding Coil	
15	D510205	Elbow Shut-Off Valve	

# Gas Valve, Igniter and Gas Conversion Kits

## Gas Models Starting Serial No. 1908000001



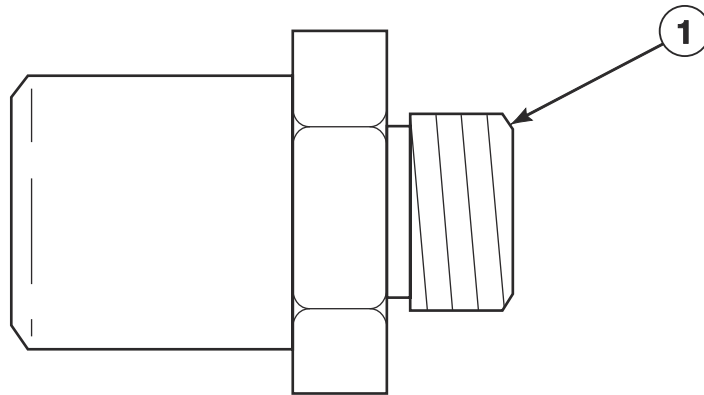
DRY2525P\_515204

## Gas Valve, Igniter and Gas Conversion Kits Gas Models Starting Serial No. 1908000001

REF	PART NO.	DESCRIPTION	COMMENTS
1	51782	Screw	
2	D510184P	Igniter and Bracket Assembly	
3	23222	Screw	
4	D510213	Sensor	
5	D503688	Screw	
6	D510149P	Burner Assembly	
7	458P3	L.P. Conversion Kit	Used to convert dryers from Natural Gas (N.G.) or Mixed Gas to Liquid Petroleum Gas (L.P.) for 25,000 Btu
8	459P3	N.G. Conversion Kit	Used to convert dryers from L.P. to N.G. or Mixed Gas for 25,000 Btu
9	56124	Screw	
10	D510128	Gas Valve Mounting Bracket	
11	D517606	Gas Valve, Bracket and Pipe Assembly	60 Hertz; 25,000 Btu; N.G.; Includes items 9, 10, 12 and 13
12	58804A	Booster and Holding Coil	
13	58804B	Secondary Coil	

# Burner Orifice Spuds - For Higher Elevations

Gas Models



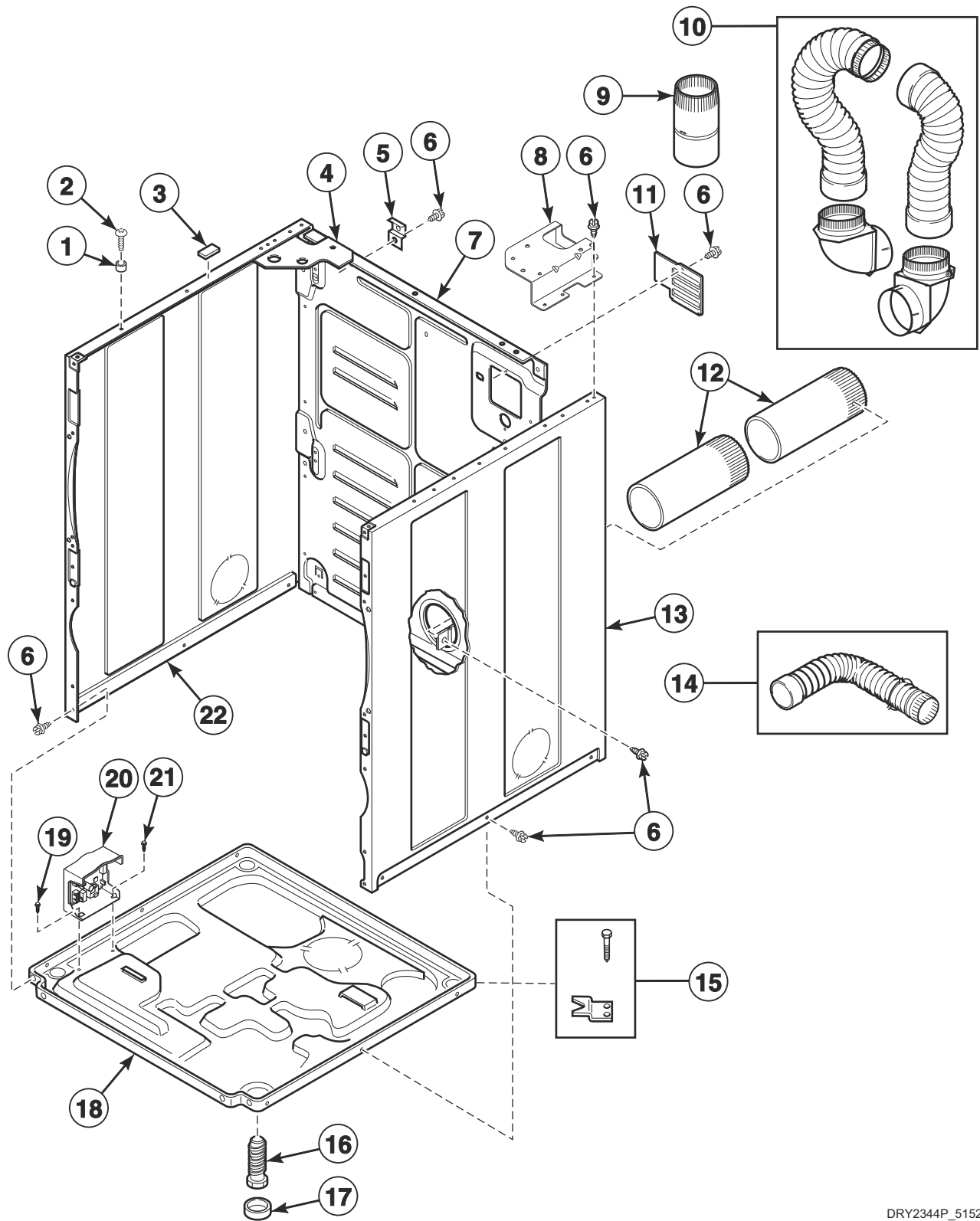
DRY2266P\_515204



## Burner Orifice Spuds - For Higher Elevations

REF	PART NO.	DESCRIPTION	COMMENTS
1	58755	L.P. Orifice	Liquid Petroleum Gas (L.P.); 7500-10999 feet (2290-3354 m)
	D503786	L.P. Orifice	L.P.; 11000 feet (3355 m) and higher
	D503776	N.G. Orifice	Natural Gas (N.G.); 2000-2999 feet (610-914 m)
	D510517	N.G. Orifice	N.G.; 3000-5499 feet (915-1679 m)
	D503778	N.G. Orifice	N.G.; 5500-6999 feet (1680-2134 m)
	58719	Screw Orifice	N.G.; 7000-8999 feet (2135-2744 m)
	D503779	N.G. Orifice	N.G.; 9000-10499 feet (2745-3199 m)
	D503780	N.G. Orifice	N.G.; 10500 feet (3200 m) and higher

# Cabinet, Exhaust Duct and Base



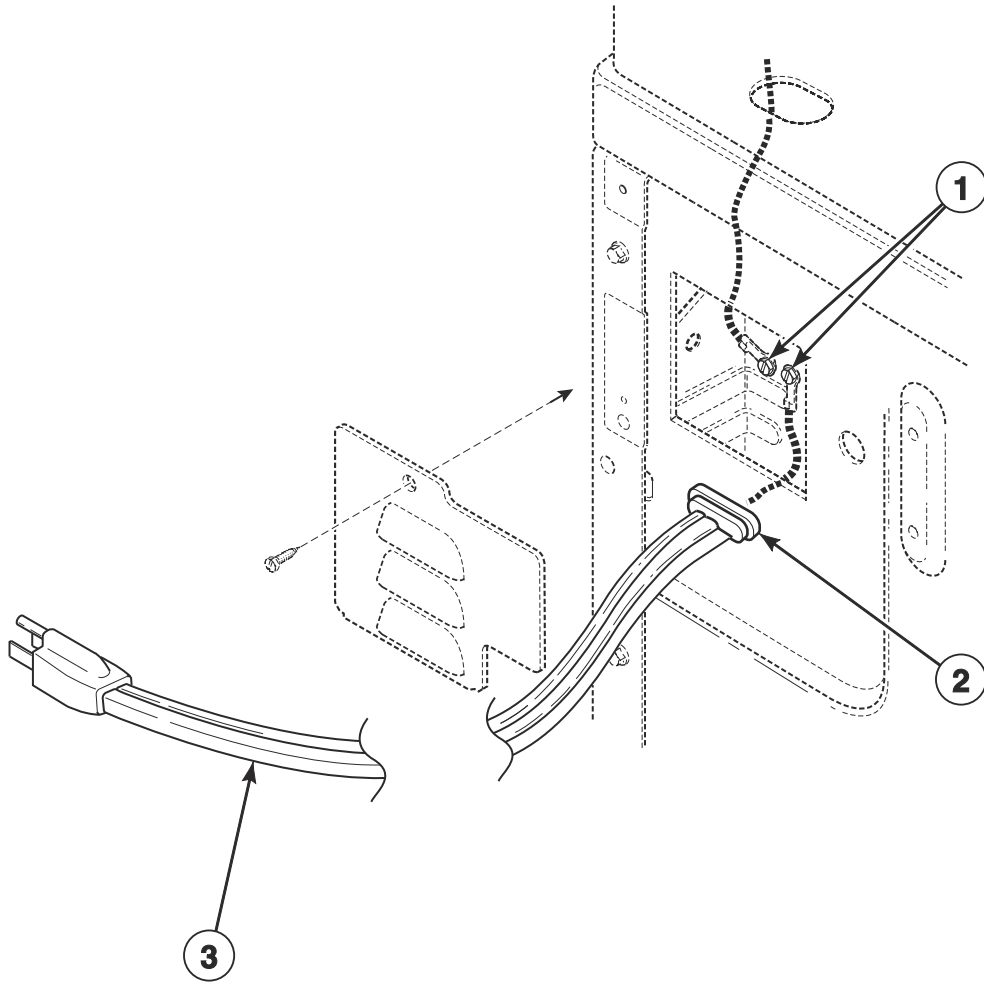
DRY2344P\_515204

## Cabinet, Exhaust Duct and Base

REF	PART NO.	DESCRIPTION	COMMENTS
1	56079	Panel Locator	
2	D512921	Screw	Use with stainless steel side panels
	39733	Screw	Use with painted side panels
3	56128	Bumper Pad	
4	D510337	Frame Gusset	
5	D510136	Top Hinge	
6	D503688	Screw	
7	D514632P	Cabinet Rear Panel	
8	547P3	Coin Cabinet Hardware Kit	
9	58786	Damper	Use when connecting to a manifold vent system
10	521P3	Flexible Venting Kit	
11	D510903	Access Panel Plate	
12	D516196	Exhaust Duct	Each dryer requires 2 pieces
13	D510002DGP	Cabinet Side Panel	Right; Gray; Models PDEJCAGS174TG01, PDEJEAGS174CG01, PDEJEAGS174CN01, PDEJXAGS174CG01, PDEJXAGS174TG01, PDGJCAGS114TG01, PDGJEAGS114CG01, PDGJEAGS114CN01, PDGJXAGS114CG01, PDGJXAGS114TG01, SDENCAGS173TN01, SDENCAGW173TN01, SDENYAGS173TN01, SDENYBGS173TN01, SDGNCAGS113TN01, SDGNCAGW113TN01, SDGNYAGS113TN01, SDGNYAGW113TN01 and SDGNYBGS113TN01
	D510002WP	Cabinet Side Panel	White; Right; All other models
14	528P3	Directional Exhaust Kit	Used to vent dryer out the sides or bottom
15	526P3	Hold Down Kit	For mobile home installations
16	D510135	Leveling Leg	
17	D501855	Rubber Foot	
18	D514245	Dryer Base	
19	D514428	Screw	
20	D513797P	Output Control Assembly	
21	804667	Screw	
22	D510001DGP	Cabinet Side Panel	Left; Gray; Models PDEJCAGS174TG01, PDEJEAGS174CG01, PDEJEAGS174CN01, PDEJXAGS174CG01, PDEJXAGS174TG01, PDGJCAGS114TG01, PDGJEAGS114CG01, PDGJEAGS114CN01, PDGJXAGS114CG01, PDGJXAGS114TG01, SDENCAGS173TN01, SDENCAGW173TN01, SDENYAGS173TN01, SDENYBGS173TN01, SDGNCAGS113TN01, SDGNCAGW113TN01, SDGNYAGS113TN01, SDGNYAGW113TN01 and SDGNYBGS113TN01
	D510001WP	Cabinet Side Panel	White; Left; All other models

# Power Cord

Gas Models

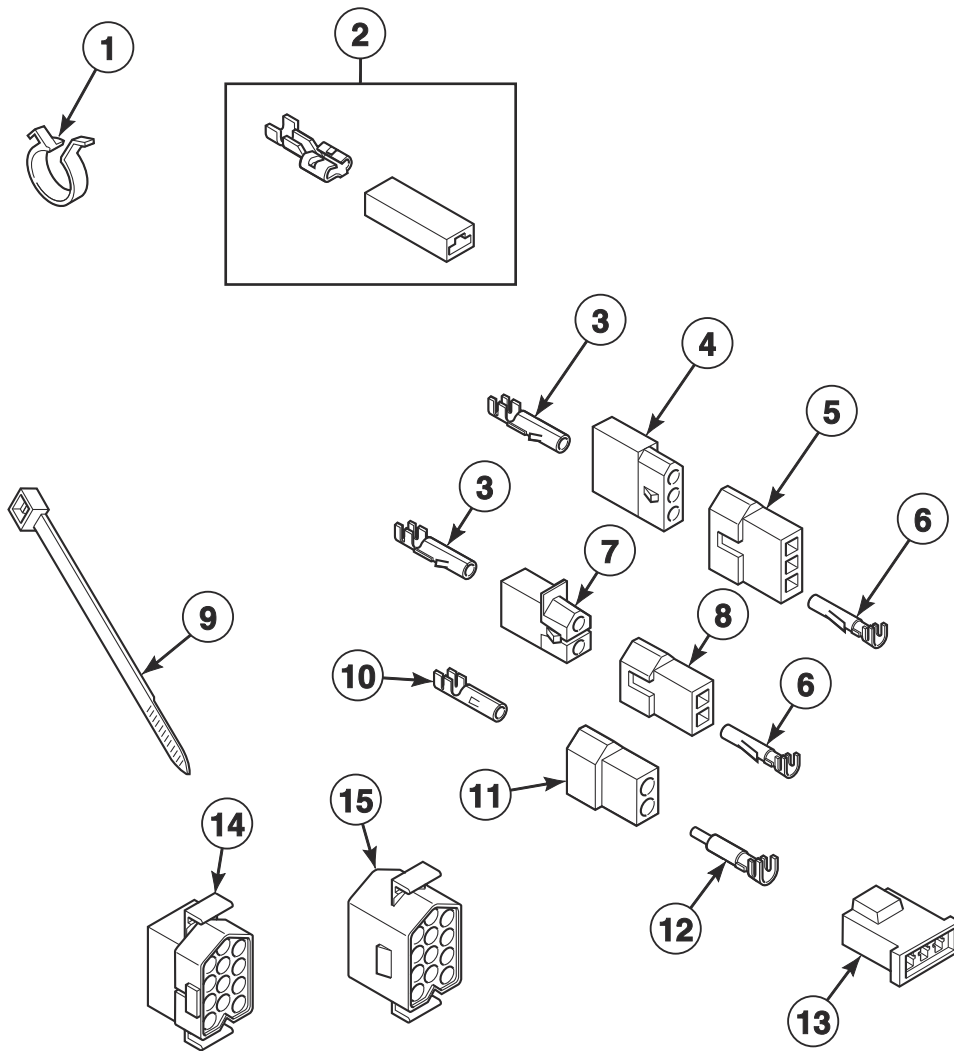


DRY1879P\_515204

# Power Cord

REF	PART NO.	DESCRIPTION	COMMENTS
1	20530	Screw	
2	38384	Strain Relief	
3	202777	Lead-In Cord	

# Terminal Block and Terminals (Drawing 1 of 2)

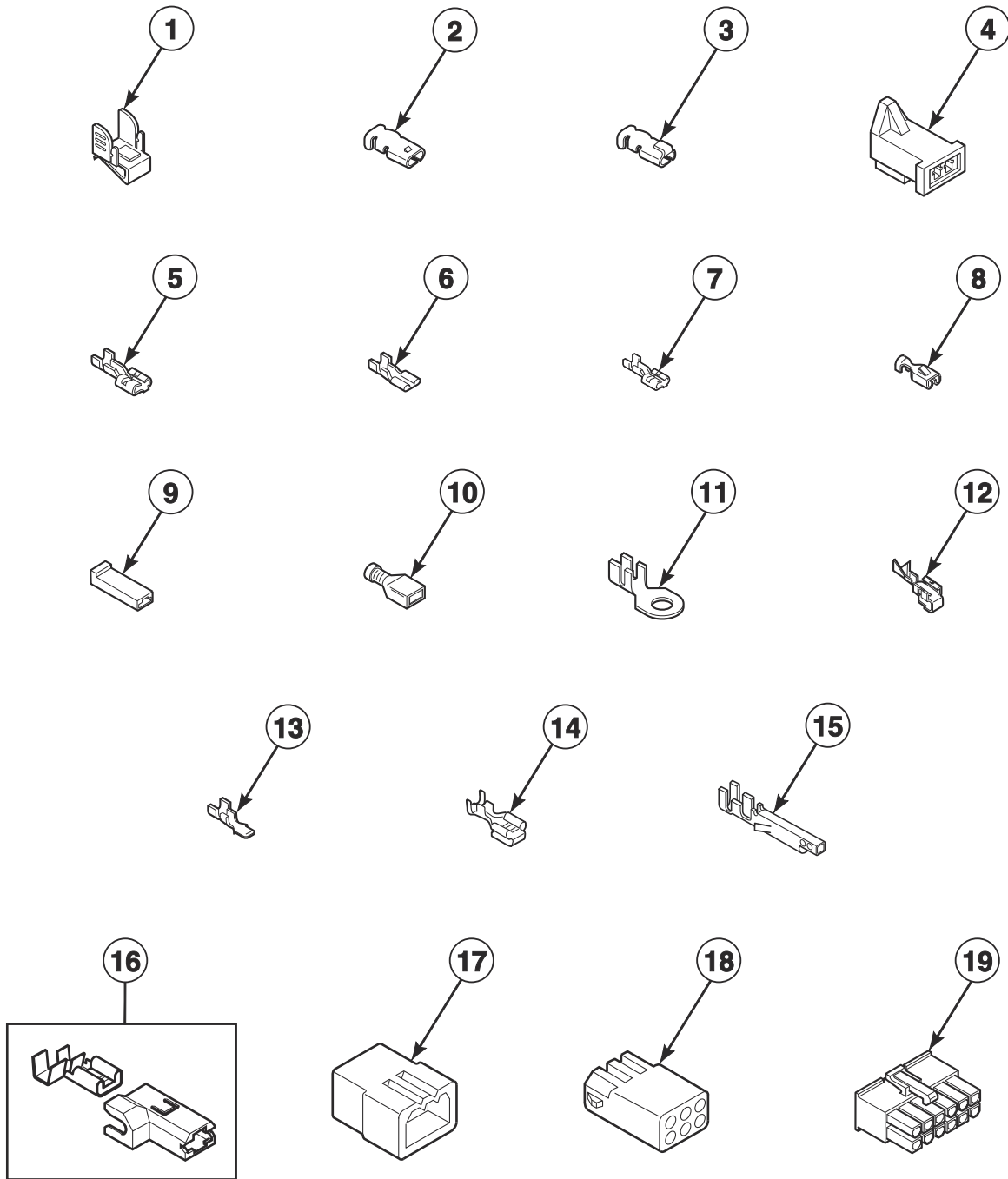


DRY2038P\_515204

## Terminal Block and Terminals (Drawing 1 of 2)

REF	PART NO.	DESCRIPTION	COMMENTS
1	D504034	Wire Clip	11/16 inch
	687500	Wire Clip	1 inch
2	00360	Insulated Female Spade Terminal	(1) 12 gauge wire or (2) 18 gauge wires
3	00117	Female Pin Terminal	
4	23039	3 Circuit Receptacle	
5	23040	Plug	3 circuit
6	00116	Male Pin Terminal	
7	56451	2 Circuit Receptacle	
8	56448	2 Circuit Plug	
9	55881	Harness Strap	
10	00128	Female Pin Terminal	1/8 inch; 10-14 gauge wire
	00130	Female Pin Terminal	1/8 inch; 16-18 gauge wire
11	56266	2 Circuit Plug	
12	00127	Male Pin Terminal	1/8 inch; 10-14 gauge wire
	00129	Male Pin Terminal	1/8 inch; 16-18 gauge wire
13	58800	3 Circuit Connector	
14	54522	Plug	
15	56855	12 Circuit Receptacle	

## Terminal Block and Terminals (Drawing 2 of 2)



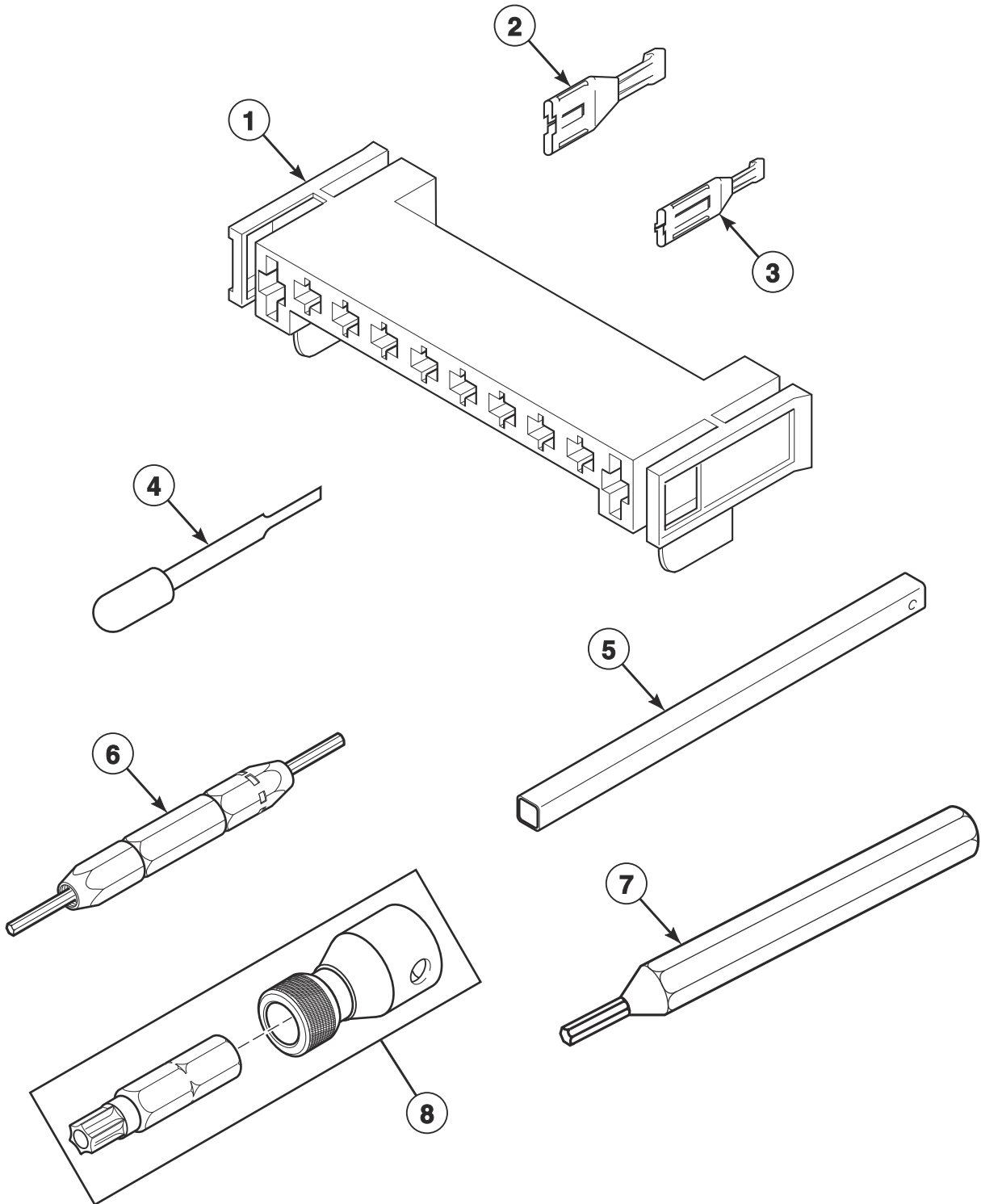
DRY2338P\_515204



## Terminal Block and Terminals (Drawing 2 of 2)

REF	PART NO.	DESCRIPTION	COMMENTS
1	00161	Grounding Clip	
2	00189	Female Spade Terminal	1/8 inch
3	00361	Female Piggyback Terminal	
4	58799	2 Circuit Connector	
5	00223	Female Spade Terminal	1/4 inch; (1) 18 gauge wire
	00121	Female Spade Terminal	1/4 inch; (2) 18 gauge wires or (1) 12 gauge wire
	00245	Spade Terminal	1/4 inch; (1) 22 gauge wire
6	00124	Female Spade Terminal	3/16 inch; (1) 18 gauge wire; .020 tab
7	00222	Female Spade Terminal	1/4 inch
8	00115	Female Spade Terminal	1/4 inch; (1) 18 gauge wire
9	90789	Receptacle Housing	
10	00359	Insulated Female Spade Terminal	1/4 inch
11	00110	Ring Terminal	No. 10; (1) 18 gauge wire
12	00114	Female Spade Terminal	1/4 inch; Double connector
13	00139	Male Tab Terminal	1/4 inch; (2) 18 gauge wires or (1) 12 gauge wire
14	00344	Female Tab Terminal	1/4 inch
15	00252	Terminal	
16	00221	Insulated Female Flag Terminal	
17	23033	9 Circuit Plug	
	26302	1 Circuit Plug	
18	26708	6 Circuit Receptacle	
	26301	1 Circuit Receptacle	
19	34596	10 Circuit Receptacle	
	D501333	12 Circuit Receptacle	

# Terminals and Terminal Extractor Tools



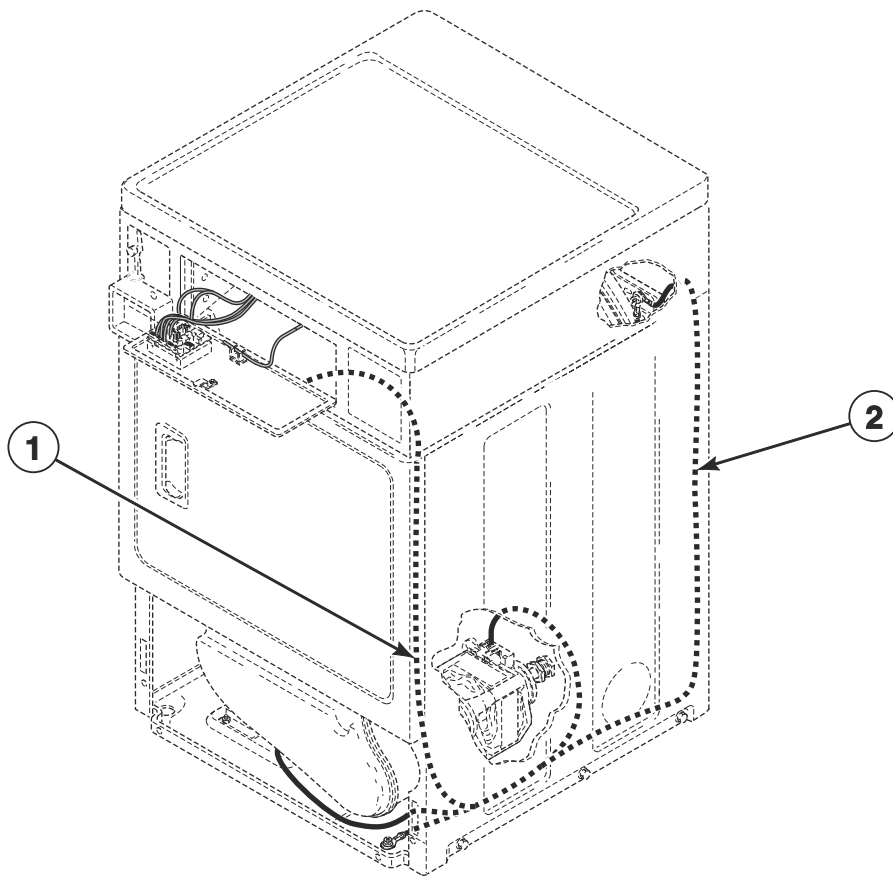
DRY2066P\_515204

## Terminals and Terminal Extractor Tools

REF	PART NO.	DESCRIPTION	COMMENTS
1	D500338	10 Position Housing	
2	00255	Female Terminal	1/4 inch; (1) 12 gauge wire; Electric models
	00256	Female Terminal	1/4 inch; (1) or (2) 18 gauge wires
3	00188	Female Terminal	For 1 or 2 wire application
4	283P4	Terminal Extractor Tool	For use on Molex connectors
5	310P4	Ratchet Extension Tool	1/4 inch; For coin drop installation
6	190P4	Extractor Tool	For use on electric dryer terminals
7	128P4	Extractor Tool	For use on gas dryer terminals
8	281P4	Torx Bit	T15 Tamper Resistant Bit
	282P4	Torx Bit	Use with 62853 Screw on access panel; T25 Tamper Resistant Bit
	292P4	Torx Bit	T20 Standard Bit
	93501	Torx Drive Tool	T10 Standard Bit

# Wire Harnesses and Wires - Front Control Models (Drawing 1 of 2)

Models PDGJCAGS114TG01, PDGJCAGS114TW01, PDGJEAGS114CG01, PDGJEAGS114CN01, PDGJEAGS114CW01, PDGJXAGS114CG01, PDGJXAGS114CW01, PDGJXAGS114TG01, PDGJXAGS114TW01, SDGNCAGS113TN01, SDGNCAGS113TW01, SDGNCAGW113TN01, SDGNYAGS113TN01, SDGNYAGS113TW01, SDGNYAGW113TN01, SDGNYBGS113TN01, SDGNYBGS113TW01, SDGWCAGS113TW41, SDGWXAGS113TW01, SDGWYAGS113TW01 and SDGWYAGS113TW41



DRY2372P\_515204

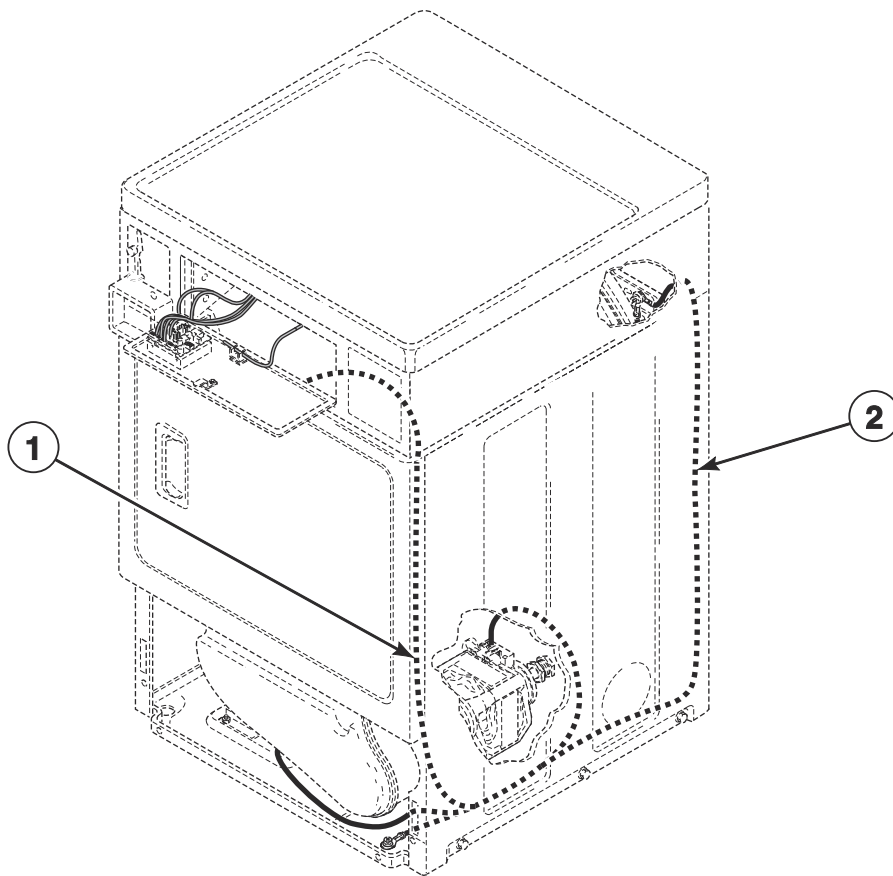
## Wire Harnesses and Wires - Front Control Models (Drawing 1 of 2)

REF	PART NO.	DESCRIPTION	COMMENTS
	45001	18 Gauge Wire	Black; Order wire by foot; Order terminals and connectors as required
	45380	12 Gauge Wire	Orange; Order wire by foot; Order terminals and connectors as required
	D517236	Broken Belt Harness	Starting Serial No. 1903000001
<b>1</b>	D512422P	Wire Harness Assembly	
<b>2</b>	D517095	Gas Harness	Through Serial No. 1903000001
	D517205	Gas Harness	Starting Serial No. 1903000001

**NOTE: Individual wires are not available separately. Order complete harness, or order wire by the foot. When applying terminals to wires, it is recommended that the terminals be soldered to the wires.**

# Wire Harnesses and Wires - Front Control Models (Drawing 2 of 2)

Models PDEJCAGS174TG01, PDEJCAGS174TW01, PDEJEAGS174CG01, PDEJEAGS174CN01, PDEJEAGS174CW01, PDEJXAGS174CG01, PDEJXAGS174CW01, PDEJXAGS174TG01, PDEJXAGS174TW01, SDENCAGS173TN01, SDENCAGS173TW01, SDENCAGW173TN01, SDENYAGS153TW01, SDENYAGS173TN01, SDENYAGS173TW01, SDENYBGS173TN01, SDENYBGS173TW01, SDEWCAGS173TW41, SDEWXAGS153TW01, SDEWXAGS173TW01, SDEWYAGS153TW01, SDEWYAGS153TW41, SDEWYAGS173TW01 and SDEWYAGS173TW41



DRY2372P\_515204

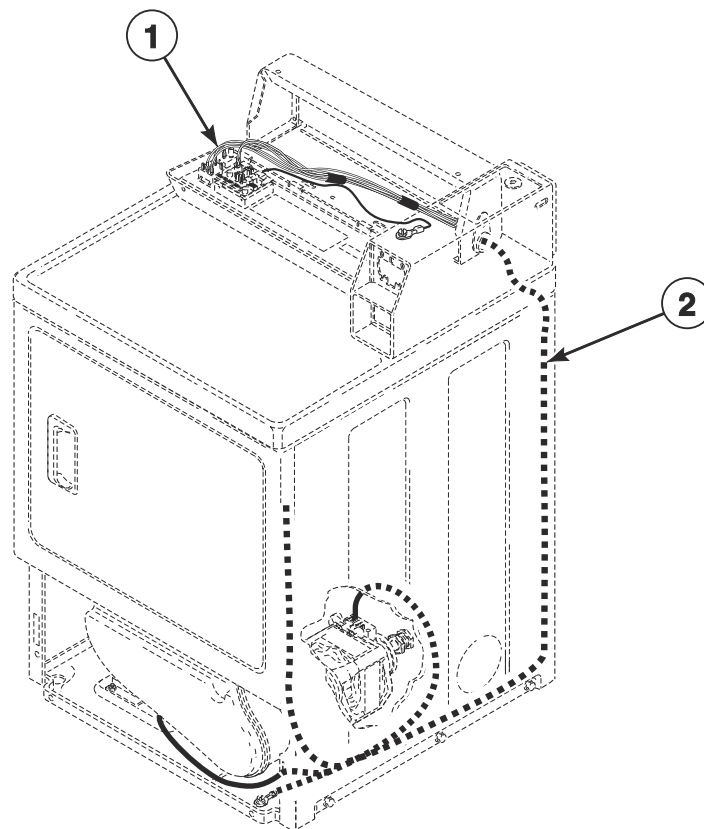
## Wire Harnesses and Wires - Front Control Models (Drawing 2 of 2)

REF	PART NO.	DESCRIPTION	COMMENTS
	45001	18 Gauge Wire	Black; Order wire by foot; Order terminals and connectors as required
	45380	12 Gauge Wire	Orange; Order wire by foot; Order terminals and connectors as required
	D517236	Broken Belt Harness	Starting Serial No. 1903000001
<b>1</b>	D512422P	Wire Harness Assembly	
<b>2</b>	D517240	Electronic Harness	Through Serial No. 1903000001
	D517206	Electric Harness	Starting Serial No. 1903000001

**NOTE: Individual wires are not available separately. Order complete harness, or order wire by the foot. When applying terminals to wires, it is recommended that the terminals be soldered to the wires.**

## Wire Harnesses and Wires - Rear Control Models

Models SDENCRGS153TW01, SDENCRGS153TW02, SDENCRGS173TW01, SDENCRGS173TW02, SDENXRG173TW01, SDENXRG173TW02, SDENYRG153TW01, SDENYRG173TW01, SDEWCRGS153TW42, SDEWCRGS173TW42, SDEWXRG153TW02, SDEWXRG173TW02, SDEWYRG153TW01, SDEWYRG153TW41, SDEWYRG173TW01, SDEWYRG173TW41, SDGNCRGS113TW01, SDGNCRGS113TW02, SDGNXRG113TW01, SDGNXRG113TW02, SDGNYRG113TW01, SDGWCRGS113TW42, SDGWXRG113TW02, SDGWYRG113TW01 and SDGWYRG113TW41



DRY2373P\_515204

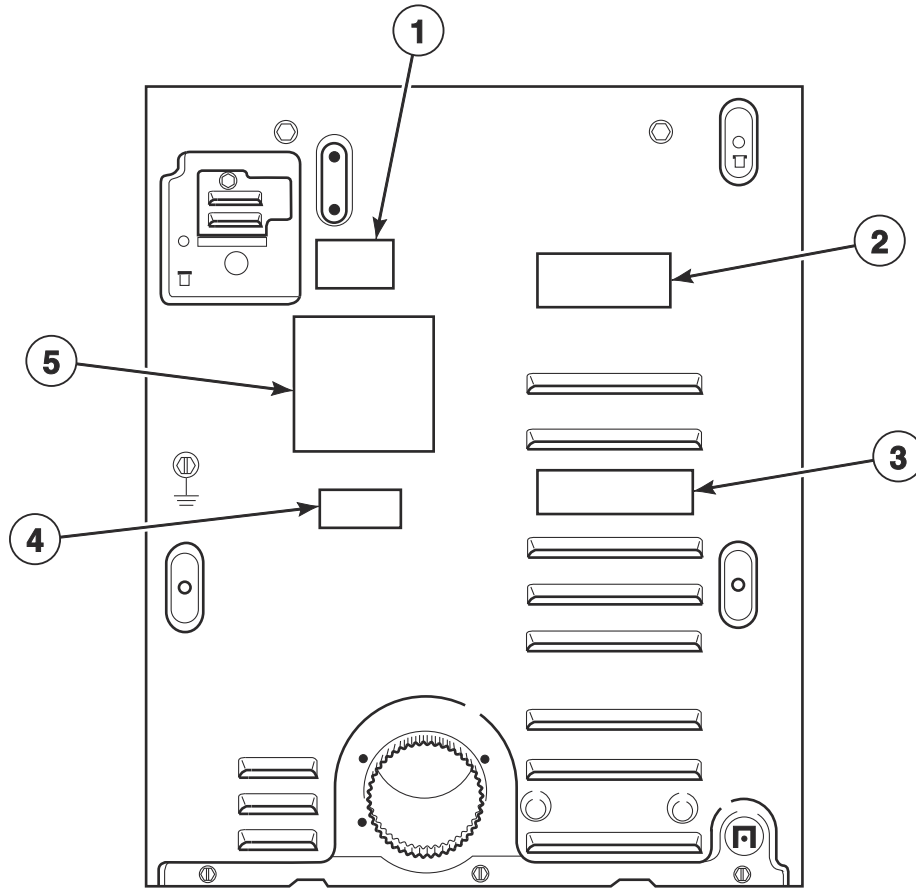


## Wire Harnesses and Wires - Rear Control Models

REF	PART NO.	DESCRIPTION	COMMENTS
	45001	18 Gauge Wire	Black; Order wire by foot; Order terminals and connectors as required
	45380	12 Gauge Wire	Orange; Order wire by foot; Order terminals and connectors as required
	D517236	Broken Belt Harness	Starting Serial No. 1903000001
<b>1</b>	D512422P	Wire Harness Assembly	
<b>2</b>	D517102	Gas Harness	Models SDGNCRGS113TW01, SDGNCRGS113TW02, SDGNXRGS113TW01, SDGNXRGS113TW02, SDGNYRGS113TW01, SDGWCRGS113TW42, SDGWXRGS113TW02, SDGWYRGS113TW01 and SDGWYRGS113TW41 through Serial No. 1903000001
	D517253	Gas Harness	Models SDGNCRGS113TW01, SDGNCRGS113TW02, SDGNXRGS113TW01, SDGNXRGS113TW02, SDGNYRGS113TW01, SDGWCRGS113TW42, SDGWXRGS113TW02, SDGWYRGS113TW01 and SDGWYRGS113TW41 starting Serial No. 1903000001
	D514024	Electric Harness	Models SDENCRGS153TW01, SDENCRGS153TW02, SDENCRGS173TW01, SDENCRGS173TW02, SDENXRGS173TW01, SDENXRGS173TW02, SDENYRGS153TW01, SDENYRGS173TW01, SDEWCRGS153TW42, SDEWCRGS173TW42, SDEWXRGS153TW02, SDEWXRGS173TW02, SDEWYRGS153TW01, SDEWYRGS153TW41, SDEWYRGS173TW01 and SDEWYRGS173TW41 through Serial No. 1903000001
	D517220	Electric Harness	Models SDENCRGS153TW01, SDENCRGS153TW02, SDENCRGS173TW01, SDENCRGS173TW02, SDENXRGS173TW01, SDENXRGS173TW02, SDENYRGS153TW01, SDENYRGS173TW01, SDEWCRGS153TW42, SDEWCRGS173TW42, SDEWXRGS153TW02, SDEWXRGS173TW02, SDEWYRGS153TW01, SDEWYRGS153TW41, SDEWYRGS173TW01 and SDEWYRGS173TW41 starting Serial No. 1903000001

**NOTE: Individual wires are not available separately. Order complete harness, or order wire by the foot. When applying terminals to wires, it is recommended that the terminals be soldered to the wires.**

# Label Location on Rear of Cabinet



DRY2374P\_515204

## Label Location on Rear of Cabinet

REF	PART NO.	DESCRIPTION	COMMENTS
1	803260	Warning Label	
2	D502791	Venting Instruction Label	
3	D517312	Voltage Warning Label	208 Volt
	D505215	Gas Label	
4	D500497	Exhaust Warning Label	
5	D511005	Electric Clearance Label	English; Electric models
	D511004	Gas Clearance Label	Gas models
	D505984	Clearance Warning Label	English/French; Electric models



# Parts Index

## A

Access Panel Assembly	
D514250DG .....	37
D514250WP .....	37
D514251 .....	37
Access Panel Plate	
D510903 .....	57
Adhesive	
D511637P .....	41, 45
Air Duct Assembly	
D510151W .....	41
D515805LG .....	41
Anti-Seize Compound	
27604P .....	39
Audit Switch Bracket	
800379 .....	19

## B

Blower and Fan Kit	
D510717P .....	39
Blower Fan Assembly	
D510139P .....	39
Blower Housing	
D511969WP .....	39
Blower Housing Seal	
D510238P .....	39
Bolt	
203798 .....	9
29651 .....	23, 31
Booster and Holding Coil	
58804A .....	51, 53
Bracket	
D510146 .....	15
Broken Belt Harness	
D517236 .....	67, 69, 71
Bumper Pad	
56128 .....	57
Burner Assembly	
D510149P .....	51, 53

## C

Cabinet Rear Panel	
D514632P .....	57
Cabinet Side Panel	
D510001DGP .....	57
D510001WP .....	57
D510002DGP .....	57
D510002WP .....	57
Card Insert Overlay	
D514391 .....	29
Central Pay Harness	
D511478 .....	5
Clearance Warning Label	
D505984 .....	73

Clip	
201572 .....	13, 27
Coin Box Extension Kit	
803578P .....	9
Coin Cabinet Hardware Kit	
547P3 .....	57
Coin Drop	
38963P .....	11, 25
70441601P .....	11, 25
Coin Drop Assembly	
38462P .....	11, 25
38463 .....	11, 25
Coin Drop Wire Harness	
201104 .....	13, 27
Coin Identification Paper	
38725 .....	13, 27
Combustion Duct	
D510131 .....	49
Connector, 2 Circuit	
58799 .....	63
Connector, 3 Circuit	
58800 .....	61
Control Access Panel	
804741 .....	21
804793 .....	21
Control Assembly	
D515807P .....	5, 7, 19, 21
D515809P .....	19
Control Bracket	
D514261 .....	21
Control Hood	
D502567W .....	5
D511253W .....	7
Control Overlay	
D514367 .....	5
D514368 .....	7
D514369 .....	19
D515001 .....	21
D515652 .....	19
Control Panel	
D510067W .....	5
D510220W .....	7
D511055W .....	7
803962BP .....	23
803962DG .....	23
803962WP .....	23
Control Panel and Bracket Assembly	
D513777B .....	19
D513777DG .....	19
D513777W .....	19
Control Panel Assembly	
D514288 .....	21
804657W .....	21
Control Wrapper	
804627W .....	21
804630W .....	21
Cylinder Assembly	
D510265LGP .....	43
D510265WP .....	43
Cylinder Baffle	
D510102LG .....	43
D510102W .....	43

N/A items do not appear in index.

Cylinder Belt D511255P .....	39
Cylinder Glide D513710 .....	41
Cylinder Glide Bracket D510145 .....	41
Cylinder Roller D510708P .....	45
Cylinder Roller Bracket D510100 .....	45
Cylinder Seal Assembly D510207P .....	41, 45

## D

Damper 58786 .....	57
Directional Exhaust Kit 528P3 .....	57
Disconnect Power Warning Label D505281 .....	15
Door Assembly D516510WP .....	33
D516737W .....	35
Door Catch Assembly D510177 .....	37
Door Handle Wedge D510129W .....	33, 35
Door Liner Assembly D516508 .....	33
Door Liner Grill D503870LG .....	35
Door Pull D512947 .....	33
Door Pull and Wedge Kit D510103WP .....	33
D511213P .....	33, 35
Door Strike D510181 .....	33, 35
Door Strike Mount D510127 .....	33, 35
Door Switch Bracket 38087 .....	9
Dryer Base D514245 .....	57
Dryer Door D510013DG .....	33
D510013WP .....	33
D512969 .....	33
D513225 .....	35
D515963 .....	35
Dryer Door Window D503982P .....	35
D515681 .....	35
Dual Coin Harness Assembly 202871 .....	5

## E

Elbow Shut-Off Valve D510205 .....	51
---------------------------------------	----

Electric Clearance Label D511005 .....	73
Electric Harness D514024 .....	71
D517206 .....	69
D517220 .....	71
Electronic Coin Drop Kit CK113 .....	13, 27
CK115 .....	13, 27
Electronic Control Shield D501441 .....	7
Electronic Harness D517240 .....	69
End Cap 210108W .....	7
210109W .....	7
Ethernet Gateway Kit NK320 .....	5, 7, 17
Exhaust Duct D516196 .....	57
Exhaust Warning Label D500497 .....	73
Expansion Clip 70030501 .....	21, 23, 29
Extractor Tool 128P4 .....	65
190P4 .....	65

## F

Felt Pad D510189 .....	41
Female Piggyback Terminal 00361 .....	63
Female Pin Terminal 00117 .....	61
00128 .....	61
00130 .....	61
Female Spade Terminal 00114 .....	63
00115 .....	63
00121 .....	63
00124 .....	63
00189 .....	63
00222 .....	63
00223 .....	63
Female Tab Terminal 00344 .....	63
Female Terminal 00188 .....	65
00255 .....	65
00256 .....	65
Flexible Venting Kit 521P3 .....	57
Frame Gusset D510337 .....	57
Front Bulkhead Assembly D510266P .....	41
Front Panel D510066DG .....	37
D510066WP .....	37
D512542 .....	37
Front Panel Seal D511056 .....	37

N/A items do not appear in index.

Fuse Notice Label 61294 .....	41
----------------------------------	----

---

## G

Gas Clearance Label D511004 .....	41, 73
Gas Harness	
D517095 .....	67
D517102 .....	71
D517205 .....	67
D517253 .....	71
Gas Label D505215 .....	73
Gas Valve Assembly 60353P .....	51
Gas Valve Mounting Bracket D510128 .....	51, 53
Gas Valve, Bracker and Pipe Assembly D517606 .....	53
Glide Kit RB170003 .....	41
Grounding Clip 00161 .....	63

---

## H

Harness 804832 .....	5, 7
Harness Assembly 802905 .....	13
Harness Strap 55881 .....	61
Heat Duct Shroud D510101 .....	49
Heater D510325P .....	47
Heater Assembly D510329P .....	47
Heater Duct Assembly D510025P .....	47, 49
Heater Kit 964P3 .....	47
Heater Kit Assembly 61928 .....	47
Hinge D511036 .....	33, 35
Hinge Hole Plug D510186 .....	37
Hold Down Kit 526P3 .....	57
Hood Back Panel 804886 .....	5
Housing, 10 Position D500338 .....	65

---

## I

Idler Lever D516310 .....	39
------------------------------	----

Idler Lever and Wheel Assembly D516792 .....	39
Idler Spring D510185 .....	39
Idler Wheel and Bearing Assembly D510142P .....	39
Igniter and Bracket Assembly D510184P .....	51, 53
Insulated Female Flag Terminal 00221 .....	63
Insulated Female Spade Terminal 00359 .....	63
00360 .....	61

---

## K

Key 54612 .....	19
--------------------	----

---

## L

Lead-In Cord 202777 .....	59
Lead-In Pipe Assembly D510204 .....	51
Leveling Leg D510135 .....	57
Limit Thermostat D510701 .....	47
D510702 .....	49
Liner and Seal Assembly D516509 .....	35
Liner Door Seal D510147P .....	33, 35
Liner, Seal and Grill Assembly D510163WP .....	33
Lint Filter D503980LG .....	41
D503980W .....	41
Lock Cam 804338 .....	19
Lock Kit 27260P .....	19
L.P. Conversion Kit 458P3 .....	51, 53
L.P. Orifice D503786 .....	55
58755 .....	55

---

## M

Machine ID Control Assembly 203361P .....	5, 7, 19
Male Pin Terminal 00116 .....	61
00127 .....	61
00129 .....	61
Male Tab Terminal 00139 .....	63

N/A items do not appear in index.

Meter Case Assembly	
202877W.....	9
807254DG.....	23
807396B.....	23
807396W.....	23
Meter Case Assembly Kit	
807401W.....	9
Meter Case Bracket Gasket	
35526.....	9
Meter Case Gasket	
26354.....	9
Meter Case Lockdown Bracket	
35525.....	9
Motor and Pulley Assembly	
D511629P.....	39
Motor Hub Ring Kit	
590P3.....	39
Motor Mount	
D510060.....	39
Motor Mount Clamp	
D510180.....	39
Motor Pulley	
D500011.....	39
Motor Switch Bracket	
D516311.....	39
Mounting Tool Kit	
CK096.....	13, 27

## N

Network Controller Kit	
NK220.....	5, 7, 17
Network Retrofit Kit	
203328.....	5, 7, 17
Nut	
201216.....	13
27222.....	15
28447.....	45
29786.....	9, 11, 25, 27
36020.....	31
44071201.....	35
44087201.....	23
52566.....	5, 39
56156.....	39, 45
N.G. Conversion Kit	
459P3.....	51, 53
N.G. Orifice	
D503776.....	55
D503778.....	55
D503779.....	55
D503780.....	55
D510517.....	55

## O

Operating Instructions Label	
D514393.....	23, 29
Opto Coupler	
200674P.....	11
Outlet Cover	
D500820.....	47, 49
D515573.....	47, 49

Output Control Assembly	
D513797P.....	57

## P

Panel Locator	
56079.....	37, 57
Plug	
23040.....	61
54522.....	61
Plug, 1 Circuit	
26302.....	63
Plug, 2 Circuit	
56266.....	61
56448.....	61
Plug, 9 Circuit	
23033.....	63
Pop Rivet	
685847.....	21

## R

Ratchet Extension Tool	
310P4.....	65
Rear Access Panel	
803998.....	23, 29
804614.....	21
Rear Bulkhead Assembly	
D511082P.....	45
Rear Panel	
804884.....	7
Rear Wrapper Brace	
805345.....	21
Receptacle Housing	
90789.....	63
Receptacle, 1 Circuit	
26301.....	63
Receptacle, 10 Circuit	
34596.....	63
Receptacle, 12 Circuit	
D501333.....	63
56855.....	61
Receptacle, 2 Circuit	
56451.....	61
Receptacle, 3 Circuit	
23039.....	61
Receptacle, 6 Circuit	
26708.....	63
Retaining Ring	
23748.....	39, 45
Ring Terminal	
00110.....	63
Roller Kit	
RB170002.....	45
Rubber Foot	
D501855.....	57

N/A items do not appear in index.



---

## S

### Screw

D500226	35
D500824	39
D501086	7
D501285	41, 45
D501524	19
D502535	39
D503661	21
D503673	15
D503688	5, 7, 15, 17, 19, 21, 23, 29, 37, 39, 41, 45, 47, 51, 53, 57
D505295	33, 41
D505870	35
D512921	37, 57
D514428	57
D515967	35
M405188	41
02916	5
20530	59
23008	31
23222	47, 51, 53
28448	45
31260	39
33562	37
35528	5, 7
36048	9
39733	37, 57
51782	49, 51, 53
52864	5, 7, 41
56124	51, 53
61199	45
62588	43
62853	37
70240301	21, 23, 29
804608	5, 7, 19, 21
804667	57

### Screw Orifice

58719	55
-------	----

### Seal Kit

RB170001	41, 45
----------	--------

### Secondary Coil

58804B	51, 53
--------	--------

### Security Cabinet Assembly

804149B	29
804149WP	29

### Security Kit

905P3	5
-------	---

### Sensor

D510213	51, 53
---------	--------

### Service Door Assembly

39874WP	9
---------	---

### Shaft

56461P	39, 45
--------	--------

### Single Coin Harness Assembly

202870	5, 25, 27
--------	-----------

### Single Overlay

38717	9, 23
-------	-------

### Spade Terminal

00245	63
-------	----

### Speed Clip

28835	37
-------	----

### Strain Relief

38384	59
-------	----

### Switch

D512973	9, 19, 23, 37
D516391	39
70529301	9

---

## T

### Terminal

00252	63
-------	----

### Terminal Block Assembly

D510190P	45
----------	----

### Terminal Block Shield

D510237	45
---------	----

### Terminal Extractor Tool

283P4	65
-------	----

### Thermal Fuse Assembly

D511412	47
---------	----

### Thermistor Assembly

D510523	39
---------	----

### Top Hinge

D510136	57
---------	----

### Top Kit

D511527WP	15
-----------	----

### Top Mounting Bracket

D504228	31
---------	----

### Top Panel

803868WP	31
803869	31
804023DG	31
804684	21
804685WP	21

### Top Panel Brace Assembly

804613	21
--------	----

### Top Panel Guide

803761	21
--------	----

### Top Panel Kit

D511530WP	15
-----------	----

### Torx Bit

281P4	65
282P4	65
292P4	65

### Torx Drive Tool

93501	65
-------	----

### Transformer

202757	5, 7, 17, 27
--------	--------------

### Transformer Harness

D514072	17
D514073	5, 7
804795	17

---

## U

### USB Gateway Kit

NK330	5, 7, 17
-------	----------

### USB IR Interface Kit

203346	5, 7, 17
--------	----------

---

## V

### Venting Instruction Label

D502791	73
---------	----

N/A items do not appear in index.

Voltage Warning Label	
D517312 .....	73

---

## W

Warning Label	
D500049 .....	41
803260 .....	73
Warning/Caution Label	
D500281 .....	37
Washer	
D504082 .....	45
M400017 .....	5
28449 .....	45
52549 .....	39, 45
Window Clip	
D513958 .....	35
Window Trim	
D515956W .....	35
Wire Assembly	
D510527 .....	47
D510528 .....	47
Wire Clip	
D504034 .....	61
687500 .....	61
Wire Guard	
201595P .....	11, 25
Wire Harness Assembly	
D512422P .....	67, 69, 71
Wireless Network Board Harness	
F8536002 .....	7, 19
Wireless Network Harness	
F8674006 .....	7, 19
Wireless Network Kit	
203889 .....	5, 7, 19
204689 .....	5, 7, 19
Wire, 12 Gauge	
45380 .....	67, 69, 71
Wire, 18 Gauge	
45001 .....	67, 69, 71
Wiring Harness Assembly	
202868 .....	19
202869 .....	7
Wrapper Assembly	
804104B .....	23
804104DG .....	23
804104W .....	23
804112B .....	29
804112W .....	29

---