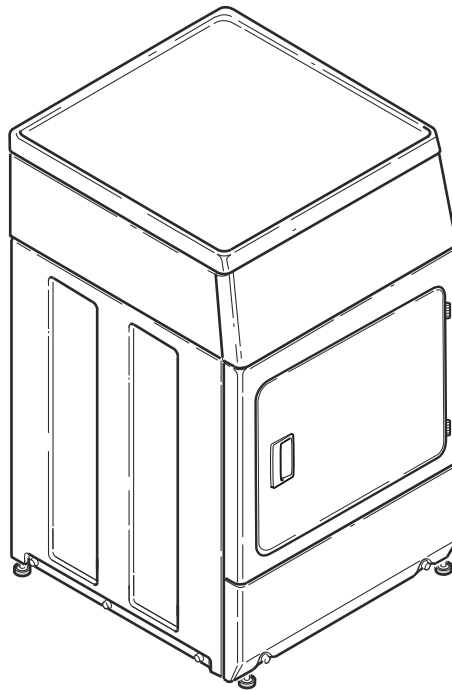


Commercial Dryers

Metered and Nonmetered
Models Starting Serial No. 2001000001

Refer to Page 3 for Model Numbers



DRY721C_D518057

Table of Contents

Title	Page
Parts Ordering Information.....	2
Serial Plate Location	2
Model Identification	3
Control and Control Panel - Rear Control Coin Drop Models	4
Control and Control Panel - Rear Control Card Ready Models	6
Meter Case - Rear Control Coin Drop Models	8
Non-Electronic Coin Drop - Rear Control Coin Drop Models.....	10
Electronic Coin Drop - Rear Control Coin Drop Models.....	12
Cabinet Top - Rear Control Models	14
Control Panel and Controls - Coin Drop and Card Front Control Models (Drawing 1 of 2).....	16
Control Panel and Controls - Coin Drop and Card Front Control Models (Drawing 2 of 2).....	18
Control Cabinet Controls - Front Control Coin Drop Models.....	20
Non-Electronic Coin Drop - Front Control Models.....	22
Electronic Coin Drop - Front Control Models	24
Control Cabinet Controls - Front Control Card Ready Models.....	26
Cabinet Top - Front Control Models.....	28
Loading Door	30
Access Panel, Front Panel and Seal	32
Motor, Exhaust Fan and Belt	34
Front Bulkhead, Air Duct and Felt Seal.....	36
Cylinder Assembly	38
Rear Bulkhead, Felt Seal, Cylinder Roller and Terminal Block.....	40
Heater Duct and Element Assembly - Electric Model Dryers.....	42
Heater Duct Assembly - Gas Model Dryers	44
Gas Valve, Igniter and Gas Conversion Kits.....	46
Burner Orifice Spuds - For Higher Elevations.....	48
Cabinet, Exhaust Duct and Base	50
Power Cord	52
Terminal Block and Terminals (Drawing 1 of 2).....	54
Terminal Block and Terminals (Drawing 2 of 2).....	56
Terminals and Terminal Extractor Tools	58
Wire Harnesses and Wires - Front Control Models (Drawing 1 of 2).....	60
Wire Harnesses and Wires - Front Control Models (Drawing 2 of 2).....	62
Wire Harnesses and Wires - Rear Control Models	64
Label Location on Rear of Cabinet	66
Parts Index.....	69

© Copyright 2020, Alliance Laundry Systems LLC

All rights reserved. No part of the contents of this book may be reproduced or transmitted in any form or by any means without the expressed written consent of the publisher.

Parts Ordering Information

If literature or replacement parts are required, contact the source from whom the machine was purchased or contact Alliance Laundry Systems at (920) 748-3950 for the name and address of the nearest authorized parts distributor.

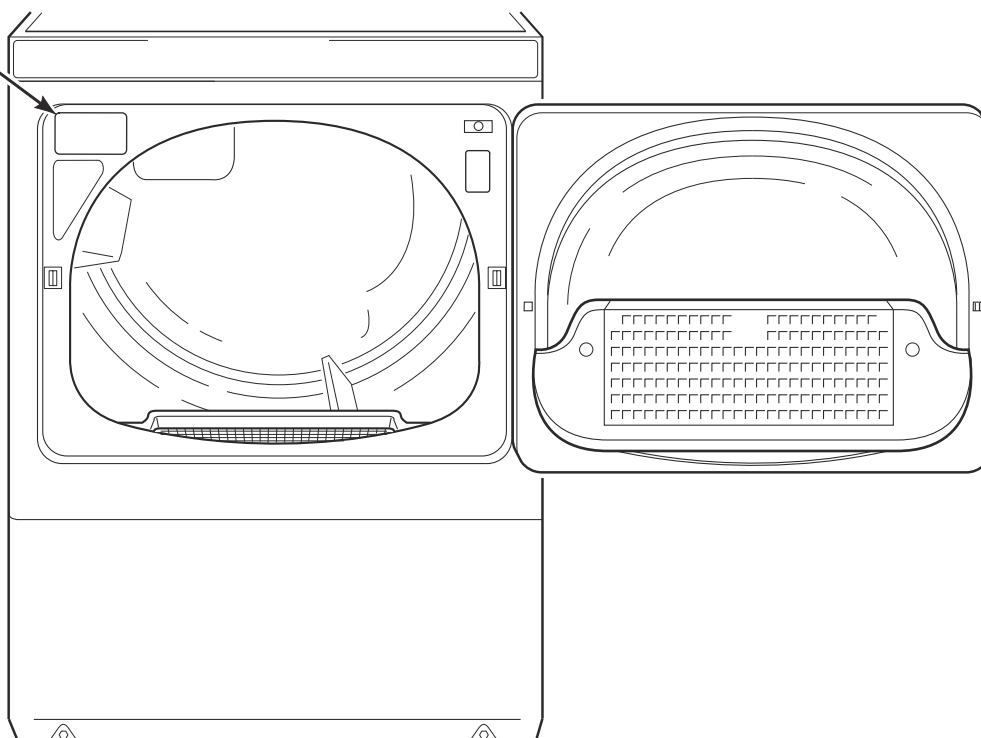
For technical assistance, call the number listed below:

(920) 748-3121 Ripon, Wisconsin

Serial Plate Location

When calling or writing about your product, be sure to mention model and serial numbers. Model and serial numbers are located on serial plate(s) as shown.

SERIAL PLATE



DRY2283P_D518057

Model Identification

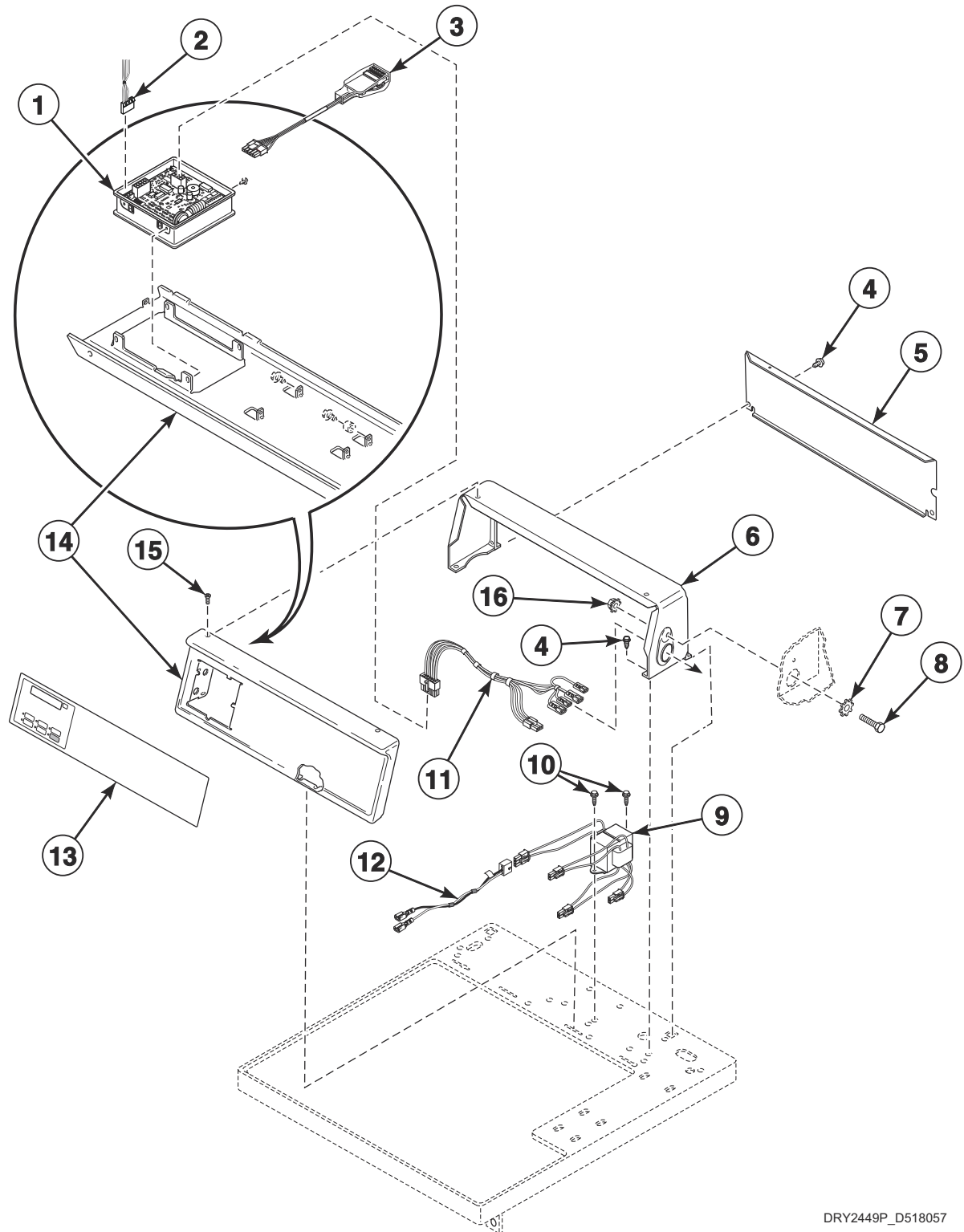
Information in this manual is applicable to these dryer models:

SDENCAGS173TW01
SDENCRGS153TW01
SDENCRGS173TW01
SDENXRGS173TW01
SDENYAGS153TW01
SDENYAGS173TW01
SDENYRGS153TW01
SDEWCAGS173TW41
SDEWCRGS153TW42
SDEWCRGS173TW42
SDEWXAGS173TW01
SDEWYAGS153TW01
SDEWYAGS153TW41
SDEWYAGS173TW01
SDEWYAGS173TW41
SDEWYRGS153TW01
SDEWYRGS153TW41
SDEWYRGS173TW01
SDEWYRGS173TW41

SDGNCAGS113TW01
SDGNCRGS113TW01
SDGNXRGS113TW01
SDGNYAGS113TW01
SDGNYRGS113TW01
SDGWCAGS113TW41
SDGWCRGS113TW42
SDGWXAGS113TW01
SDGWXRGS113TW02
SDGWYAGS113TW01
SDGWYAGS113TW41
SDGWYRGS113TW01
SDGWYRGS113TW41

Control and Control Panel - Rear Control Coin Drop Models

Models SDENCRGS153TW01, SDENCRGS173TW01, SDENXRG153TW01, SDEWCRGS153TW42, SDEWCRGS173TW42, SDGNCRGS113TW01, SDGNXRG113TW01, SDGWCRGS113TW42 and SDGWXRG113TW02



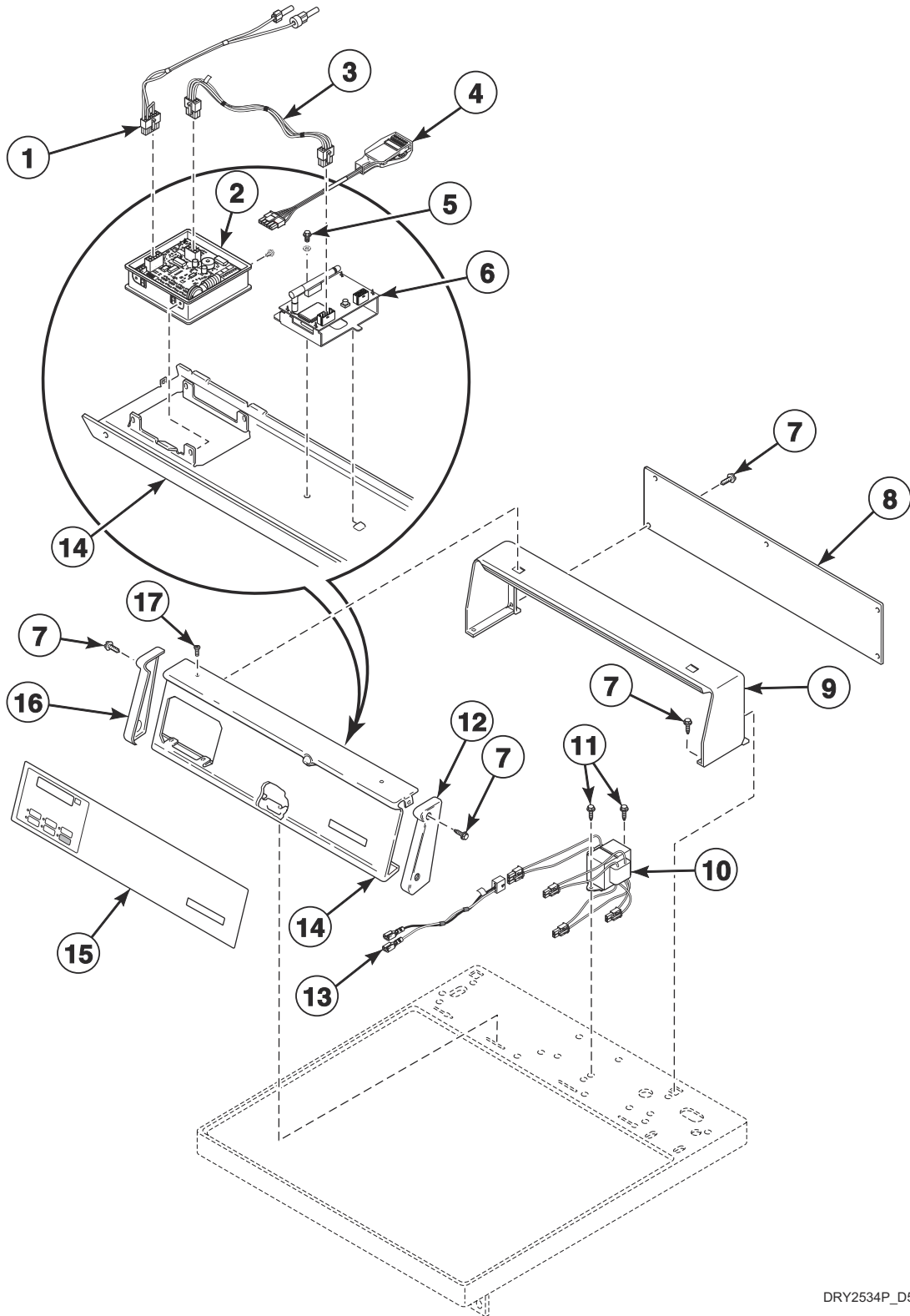
DRY2449P_D518057

Control and Control Panel - Rear Control Coin Drop Models

REF	PART NO.	DESCRIPTION	COMMENTS
	203328	Network Retrofit Kit	Wired
	204689	Wireless Network Kit	
	203346	USB IR Interface Kit	
	NK220	Network Controller Kit	Wired
	NK320	Ethernet Gateway Kit	Wireless
	NK330	USB Gateway Kit	Wireless
	905P3	Security Kit	Secures front panel to rear panel
1	D517522	Control Assembly	
2	D511478	Central Pay Harness	
3	203361P	Machine ID Control Assembly	Model or serial number is required when ordering
4	804608	Screw	
5	804886	Hood Back Panel	
6	D502567W	Control Hood	
7	M400017	Washer	
8	02916	Screw	
9	204379	Transformer	Models SDENXRGS173TW01, SDGNXRGS113TW01 and SDGWXRGS113TW02
10	D503688	Screw	Models SDENXRGS173TW01, SDGNXRGS113TW01 and SDGWXRGS113TW02
11	202870	Single Coin Harness Assembly	Models SDENCRGS153TW01, SDENCRGS173TW01, SDEWCRGS153TW42, SDEWCRGS173TW42, SDGNCRGS113TW01 and SDGWCRGS113TW42
	202871	Dual Coin Harness Assembly	Models SDENXRGS173TW01, SDGNXRGS113TW01 and SDGWXRGS113TW02
12	D514073	Transformer Harness	Model SDENXRGS173TW01
	804832	Harness	Models SDGNXRGS113TW01 and SDGWXRGS113TW02
13	D514367	Control Overlay	
14	D510067W	Control Panel	
15	52864	Screw	Phillips head
	35528	Screw	Torx head
16	52566	Nut	

Control and Control Panel - Rear Control Card Ready Models

Models SDENYRGS153TW01, SDEWYRGS153TW01, SDEWYRGS153TW41, SDEWYRGS173TW01, SDEWYRGS173TW41, SDGNYRGS113TW01, SDGWYRGS113TW01 and SDGWYRGS113TW41



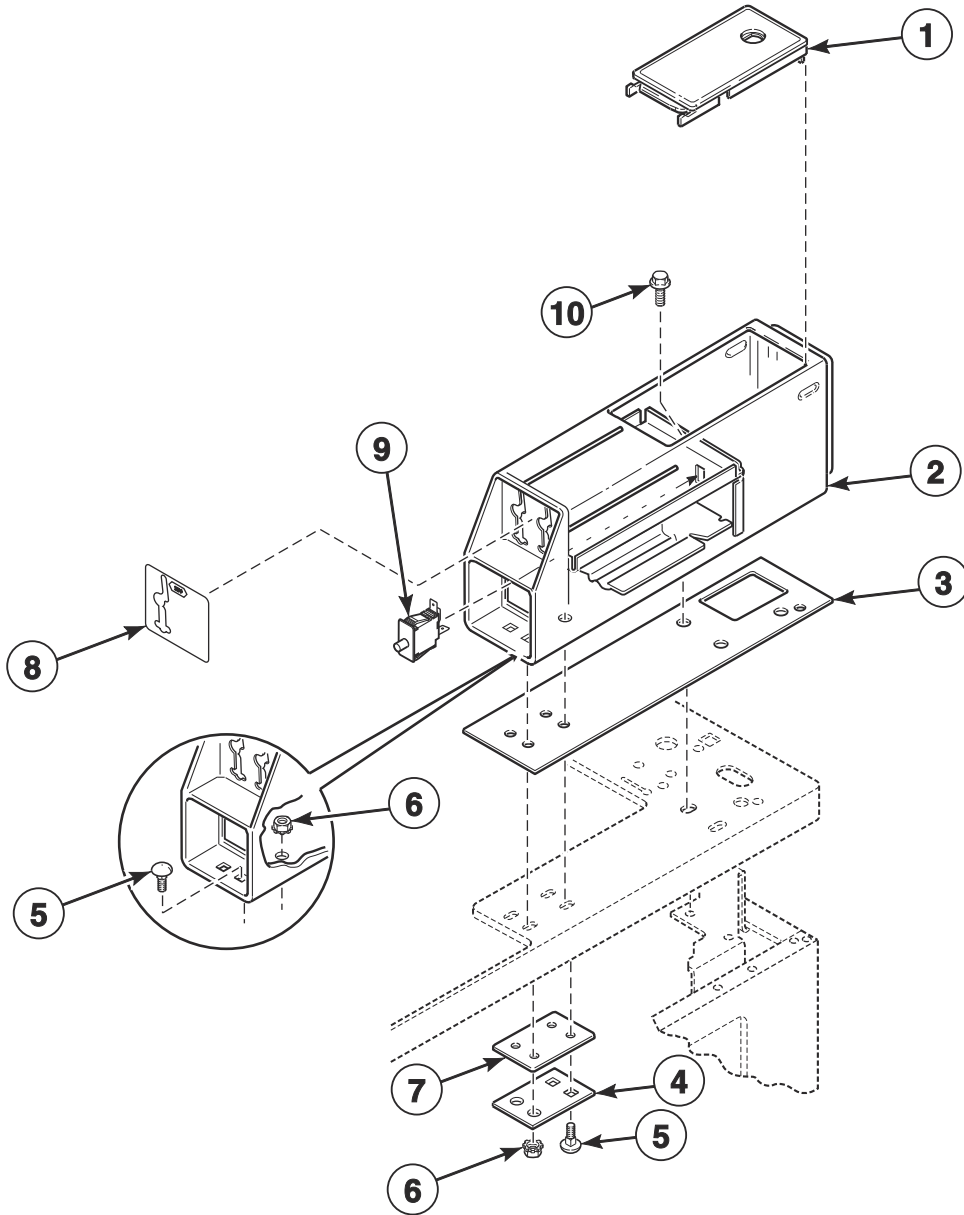
DRY2534P_D518057

Control and Control Panel - Rear Control Card Ready Models

REF	PART NO.	DESCRIPTION	COMMENTS
	203328	Network Retrofit Kit	Wired
	203346	USB IR Interface Kit	
	NK220	Network Controller Kit	Wired
	NK320	Ethernet Gateway Kit	Wireless
	NK330	USB Gateway Kit	Wireless
1	202869	Wiring Harness Assembly	
2	D517522	Control Assembly	
3	F8674006	Wireless Network Harness	Models SDEWYRGS153TW01, SDEWYRGS153TW41, SDEWYRGS173TW01, SDEWYRGS173TW41, SDGWYRGS113TW01 and SDGWYRGS113TW41
4	203361P	Machine ID Control Assembly	Model or serial number is required when ordering
5	804608	Screw	Models SDEWYRGS153TW01, SDEWYRGS153TW41, SDEWYRGS173TW01, SDEWYRGS173TW41, SDGWYRGS113TW01 and SDGWYRGS113TW41
6	204689	Wireless Network Kit	Models SDEWYRGS153TW01, SDEWYRGS153TW41, SDEWYRGS173TW01, SDEWYRGS173TW41, SDGWYRGS113TW01 and SDGWYRGS113TW41
7	D501086	Screw	
8	804884	Rear Panel	
9	D511253W	Control Hood	
10	204379	Transformer	
11	D503688	Screw	
12	210108W	End Cap	Right
13	D514073	Transformer Harness	Models SDENYRGS153TW01, SDEWYRGS153TW01, SDEWYRGS153TW41, SDEWYRGS173TW01 and SDEWYRGS173TW41
	804832	Harness	Models SDGNYRGS113TW01, SDGWYRGS113TW01 and SDGWYRGS113TW41
14	D511055W	Control Panel	Models SDENYRGS153TW01 and SDGNYRGS113TW01
	D510220W	Control Panel	Models SDEWYRGS153TW01, SDEWYRGS153TW41, SDEWYRGS173TW01, SDEWYRGS173TW41, SDGWYRGS113TW01 and SDGWYRGS113TW41
15	D514368	Control Overlay	
16	210109W	End Cap	Left
17	52864	Screw	Phillips head
	35528	Screw	Torx head

Meter Case - Rear Control Coin Drop Models

Models SDENCRGS153TW01, SDENCRGS173TW01, SDENXRGS173TW01, SDEWCRGS153TW42, SDEWCRGS173TW42, SDGNCRGS113TW01, SDGNXRGS113TW01, SDGWCRGS113TW42 and SDGWXRGS113TW02



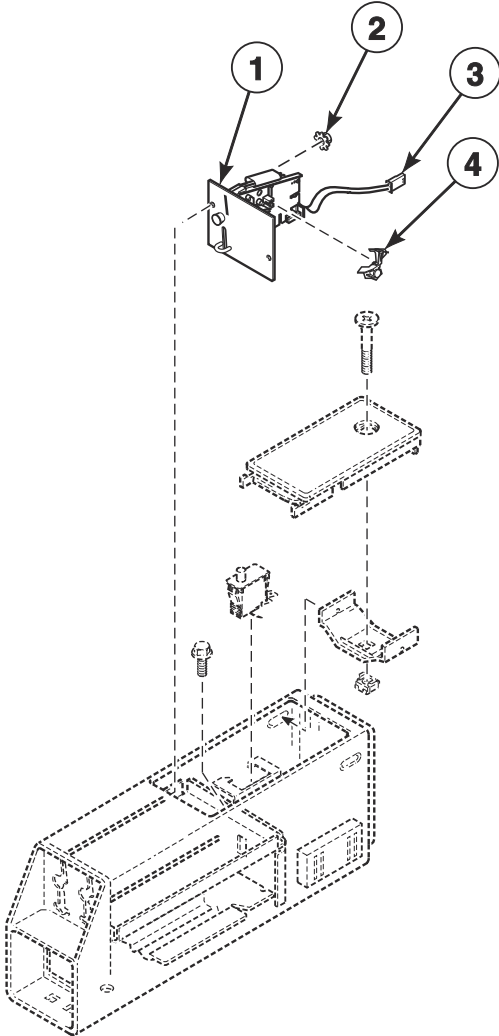
DRY2529P_D518057

Meter Case - Rear Control Coin Drop Models

REF	PART NO.	DESCRIPTION	COMMENTS
1	39874WP	Service Door Assembly	White
2	807401W	Meter Case Assembly Kit	High capacity
	803578P	Coin Box Extension Kit	Use with high capacity meter case to extend shorter 7 inch coin boxes
	202877W	Meter Case Assembly	Standard capacity
3	26354	Meter Case Gasket	
4	35525	Meter Case Lockdown Bracket	
5	203798	Bolt	
6	29786	Nut	
7	35526	Meter Case Bracket Gasket	
8	38717	Single Overlay	
9	70529301	Switch	
10	36048	Screw	

Non-Electronic Coin Drop - Rear Control Coin Drop Models

Models SDENCRGS153TW01, SDENCRGS173TW01, SDENXRG173TW01, SDEWCRGS153TW42, SDEWCRGS173TW42, SDGNCRGS113TW01, SDGNXRG113TW01, SDGWCRGS113TW42 and SDGWXRG113TW02



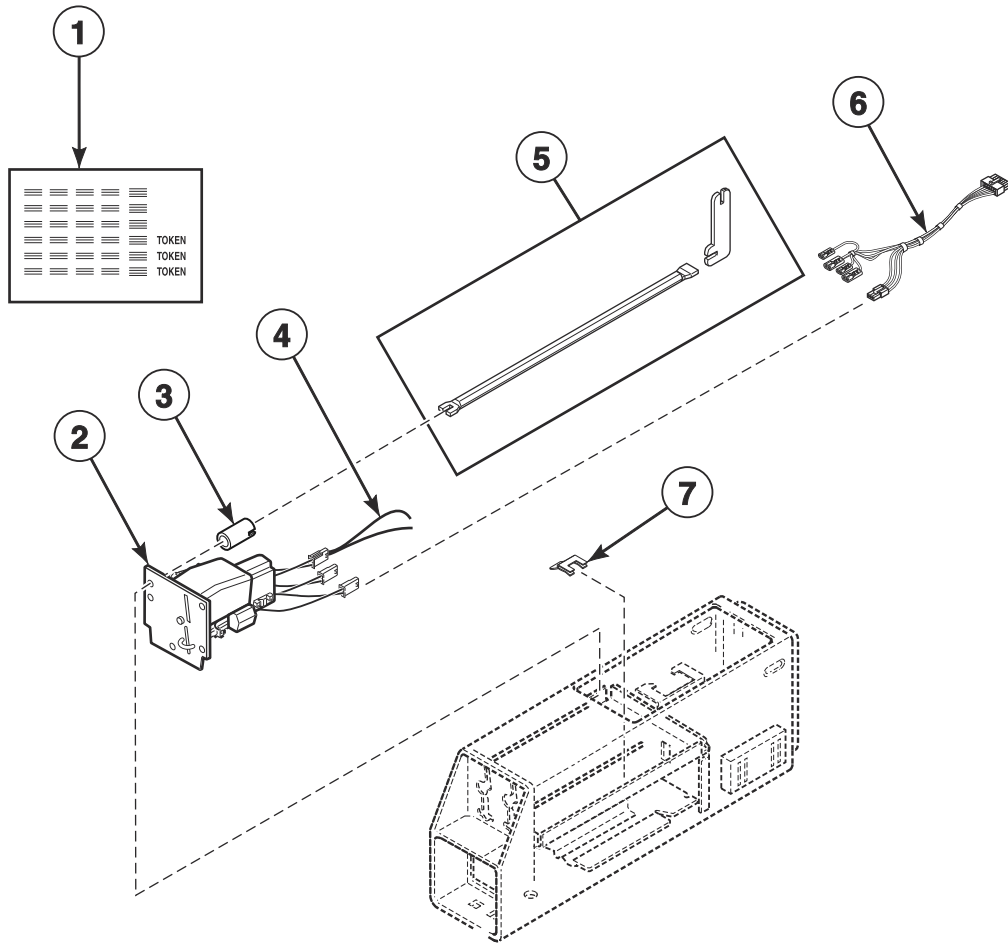
DRY2170P_D518057

Non-Electronic Coin Drop - Rear Control Coin Drop Models

REF	PART NO.	DESCRIPTION	COMMENTS
1	38462P	Coin Drop Assembly	Token; 118-1 mzp
	38463	Coin Drop Assembly	Token; 118-5 mzp
	70441601P	Coin Drop	U.S.; \$.25
	38963P	Coin Drop	Token 118-16 not available; Replacement for 38963P Coin Drop only
2	29786	Nut	
3	200674P	Opto Coupler	
4	201595P	Wire Guard	Anti-stringing security device

Electronic Coin Drop - Rear Control Coin Drop Models

Models SDENCRGS153TW01, SDENCRGS173TW01, SDENXRG173TW01, SDEWCRGS153TW42, SDEWCRGS173TW42, SDGNCRGS113TW01, SDGNXRG113TW01, SDGWCRGS113TW42 and SDGWXRG113TW02



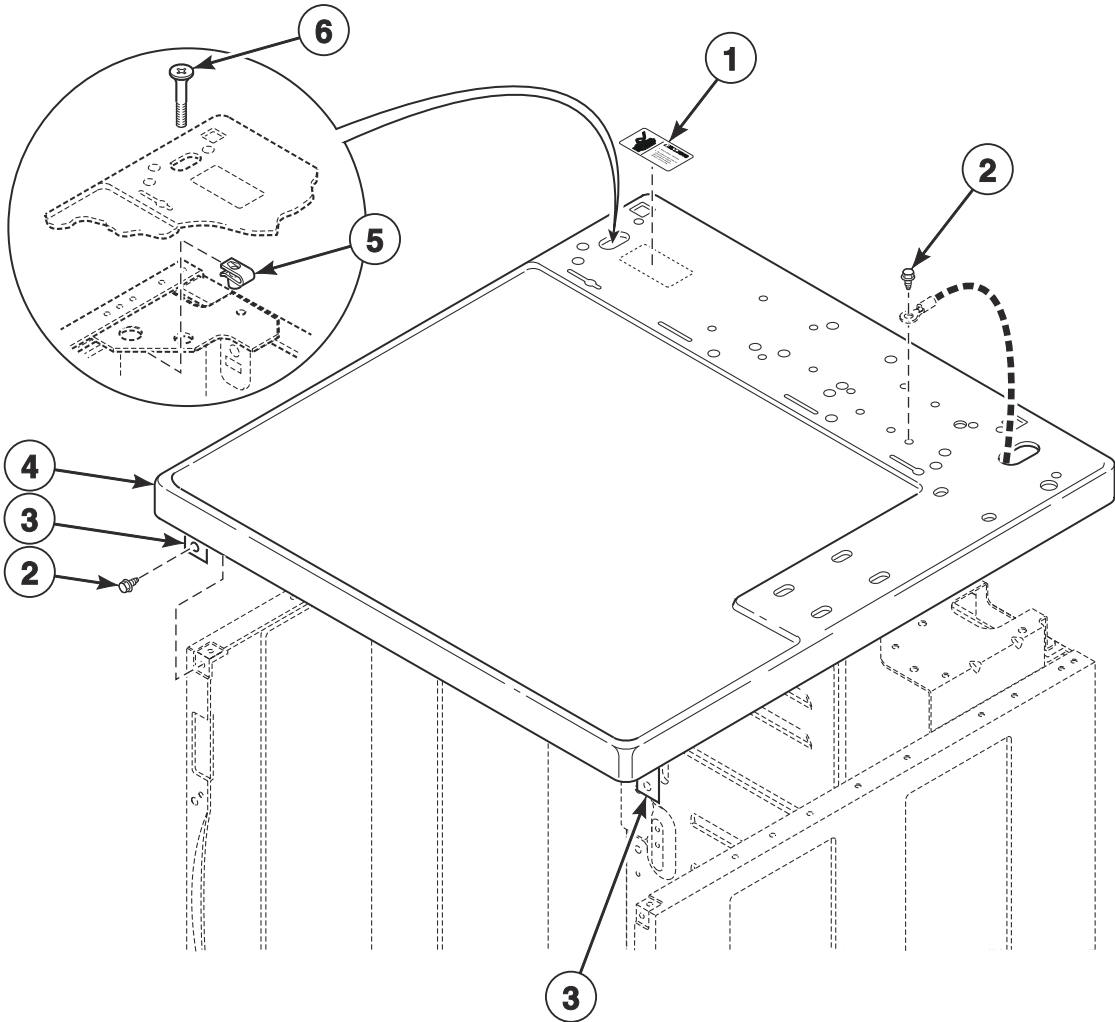
DRY2368P_D518057

Electronic Coin Drop - Rear Control Coin Drop Models

REF	PART NO.	DESCRIPTION	COMMENTS
1	38725	Coin Identification Paper	For use with item 2
2	CK113	Electronic Coin Drop Kit	Japan and Taiwan coins
	CK115	Electronic Coin Drop Kit	United States and Canada coins
3	201216	Nut	For use with item 2
4	201104	Coin Drop Wire Harness	For use with item 2
5	CK096	Mounting Tool Kit	For use with item 2
6	802905	Harness Assembly	If adding electronic coin drop this harness must be used; Models SDENCRGS153TW01, SDENCRGS173TW01, SDEWCRGS153TW42, SDEWCRGS173TW42, SDGNCRGS113TW01 and SDGWCRGS113TW42
7	201572	Clip	For use with item 2

Cabinet Top - Rear Control Models

Models SDENCRGS153TW01, SDENCRGS173TW01, SDENXRG173TW01, SDENYRG153TW01, SDEWCRGS153TW42, SDEWCRGS173TW42, SDEWYRG153TW01, SDEWYRG153TW41, SDEWYRG173TW01, SDEWYRG173TW41, SDGNCRGS113TW01, SDGNXRG113TW01, SDGNYRG113TW01, SDGWCRGS113TW42, SDGWXRG113TW02, SDGWYRG113TW01 and SDGWYRG113TW41



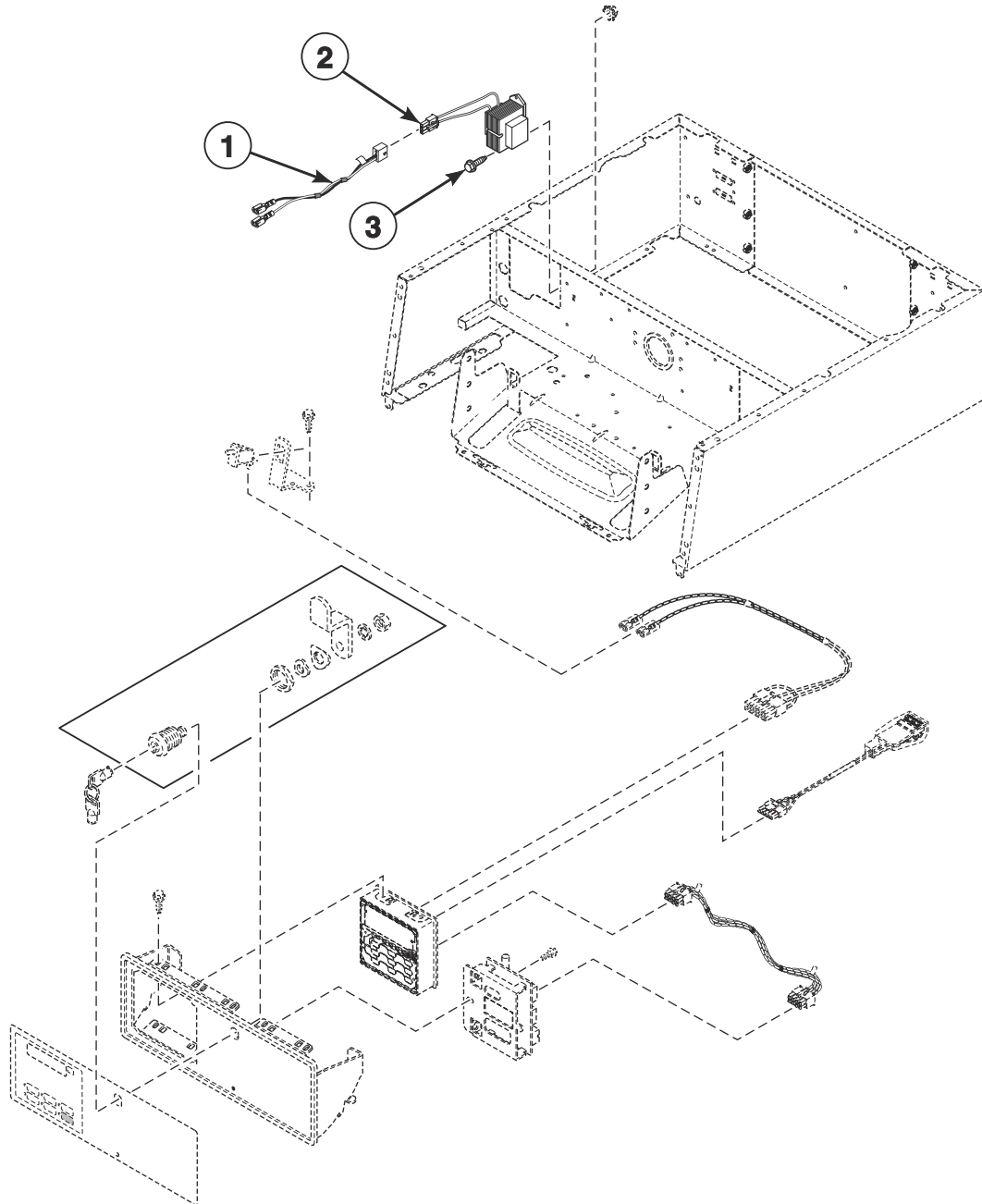
DRY1894P_D518057

Cabinet Top - Rear Control Models

REF	PART NO.	DESCRIPTION	COMMENTS
1	D505281	Disconnect Power Warning Label	
2	D503688	Screw	
3	D510146	Bracket	
4	D511530WP	Top Panel Kit	White; Includes item 3; Models SDENYRGS153TW01, SDEWYRGS153TW01, SDEWYRGS153TW41, SDEWYRGS173TW01, SDEWYRGS173TW41, SDGNYRGS113TW01, SDGWYRGS113TW01 and SDGWYRGS113TW41
	D511527WP	Top Kit	White; Includes item 3; All other models
5	27222	Nut	
6	D503673	Screw	

Control Panel and Controls - Coin Drop and Card Front Control Models (Drawing 1 of 2)

Models SDENCAGS173TW01, SDENYAGS153TW01, SDENYAGS173TW01, SDEWCAGS173TW41, SDEWXAGS173TW01, SDEWYAGS153TW01, SDEWYAGS153TW41, SDEWYAGS173TW01, SDEWYAGS173TW41, SDGNCAGS113TW01, SDGNYAGS113TW01, SDGWCAGS113TW41, SDGWXAGS113TW01, SDGWYAGS113TW01 and SDGWYAGS113TW41



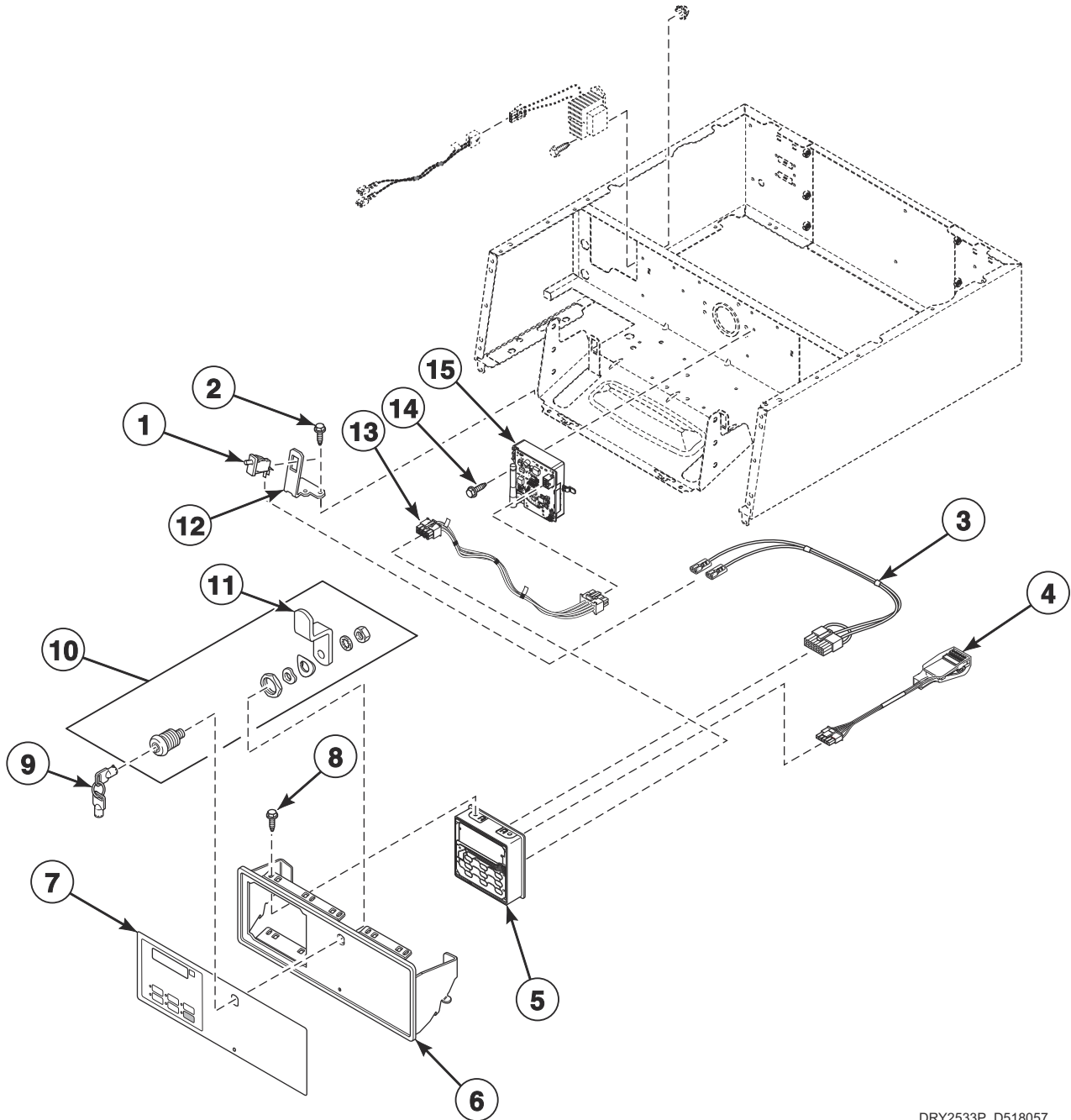
DRY2369P_D518057

Control Panel and Controls - Coin Drop and Card Front Control Models (Drawing 1 of 2)

REF	PART NO.	DESCRIPTION	COMMENTS
	203328	Network Retrofit Kit	Wired
	203346	USB IR Interface Kit	
	NK220	Network Controller Kit	Wired
	NK320	Ethernet Gateway Kit	Wireless
	NK330	USB Gateway Kit	Wireless
1	D514072	Transformer Harness	Electric models
	804795	Transformer Harness	Gas models
2	204379	Transformer	
3	D503688	Screw	

Control Panel and Controls - Coin Drop and Card Front Control Models (Drawing 2 of 2)

Models SDENCAGS173TW01, SDENYAGS153TW01, SDENYAGS173TW01, SDEWCAGS173TW41, SDEWXAGS173TW01, SDEWYAGS153TW01, SDEWYAGS153TW41, SDEWYAGS173TW01, SDEWYAGS173TW41, SDGNCAGS113TW01, SDGNYAGS113TW01, SDGWCAGS113TW41, SDGWXAGS113TW01, SDGWYAGS113TW01 and SDGWYAGS113TW41



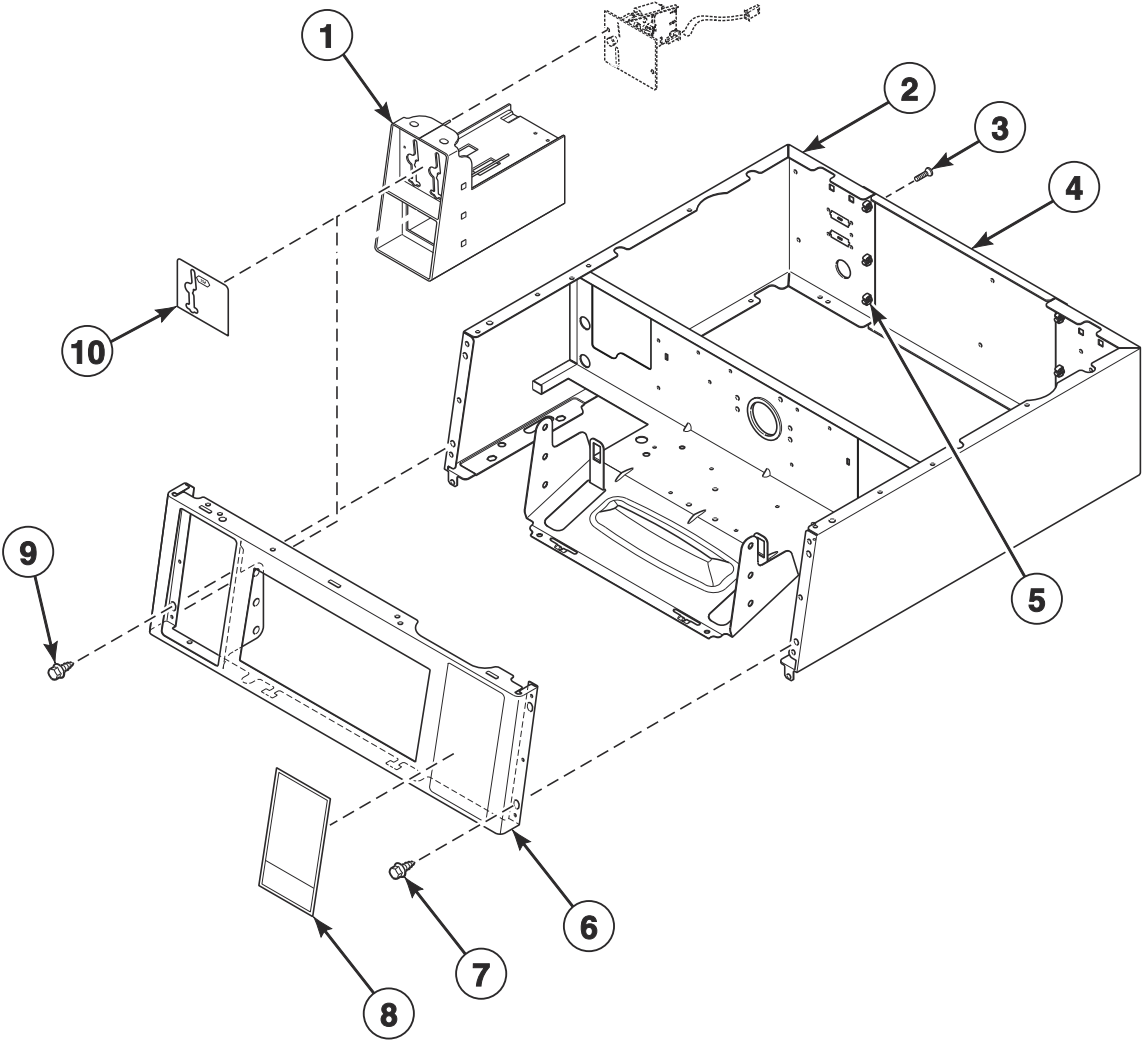
DRY2533P_D518057

Control Panel and Controls - Coin Drop and Card Front Control Models (Drawing 2 of 2)

REF	PART NO.	DESCRIPTION	COMMENTS
1	D512973	Switch	
2	D503688	Screw	
3	202868	Wiring Harness Assembly	Models SDENYAGS153TW01, SDENYAGS173TW01, SDEWYAGS153TW01, SDEWYAGS153TW41, SDEWYAGS173TW01, SDEWYAGS173TW41, SDGNYAGS113TW01, SDGWYAGS113TW01 and SDGWYAGS113TW41
4	203361P	Machine ID Control Assembly	Model or serial number is required when ordering
5	D517522	Control Assembly	
6	D513777W	Control Panel and Bracket Assembly	White
7	D514369	Control Overlay	
8	D501524	Screw	
9	54612	Key	800
10	27260P	Lock Kit	
11	804338	Lock Cam	
12	800379	Audit Switch Bracket	
13	F8674006	Wireless Network Harness	Models SDEWCAGS173TW41, SDEWXAGS173TW01, SDEWYAGS153TW01, SDEWYAGS153TW41, SDEWYAGS173TW01, SDEWYAGS173TW41, SDGWCAGS113TW41, SDGWXAGS113TW01, SDGWYAGS113TW01 and SDGWYAGS113TW41
14	804608	Screw	Models SDEWYAGS153TW01, SDEWYAGS173TW01 and SDGWYAGS113TW01
15	204689	Wireless Network Kit	Models SDEWCAGS173TW41, SDEWXAGS173TW01, SDEWYAGS153TW01, SDEWYAGS153TW41, SDEWYAGS173TW01, SDEWYAGS173TW41, SDGWCAGS113TW41, SDGWXAGS113TW01, SDGWYAGS113TW01 and SDGWYAGS113TW41

Control Cabinet Controls - Front Control Coin Drop Models

Models SDENCAGS173TW01, SDEWCAGS173TW41, SDEWXAGS173TW01, SDGNCAGS113TW01, SDGWCAGS113TW41 and SDGWXAGS113TW01



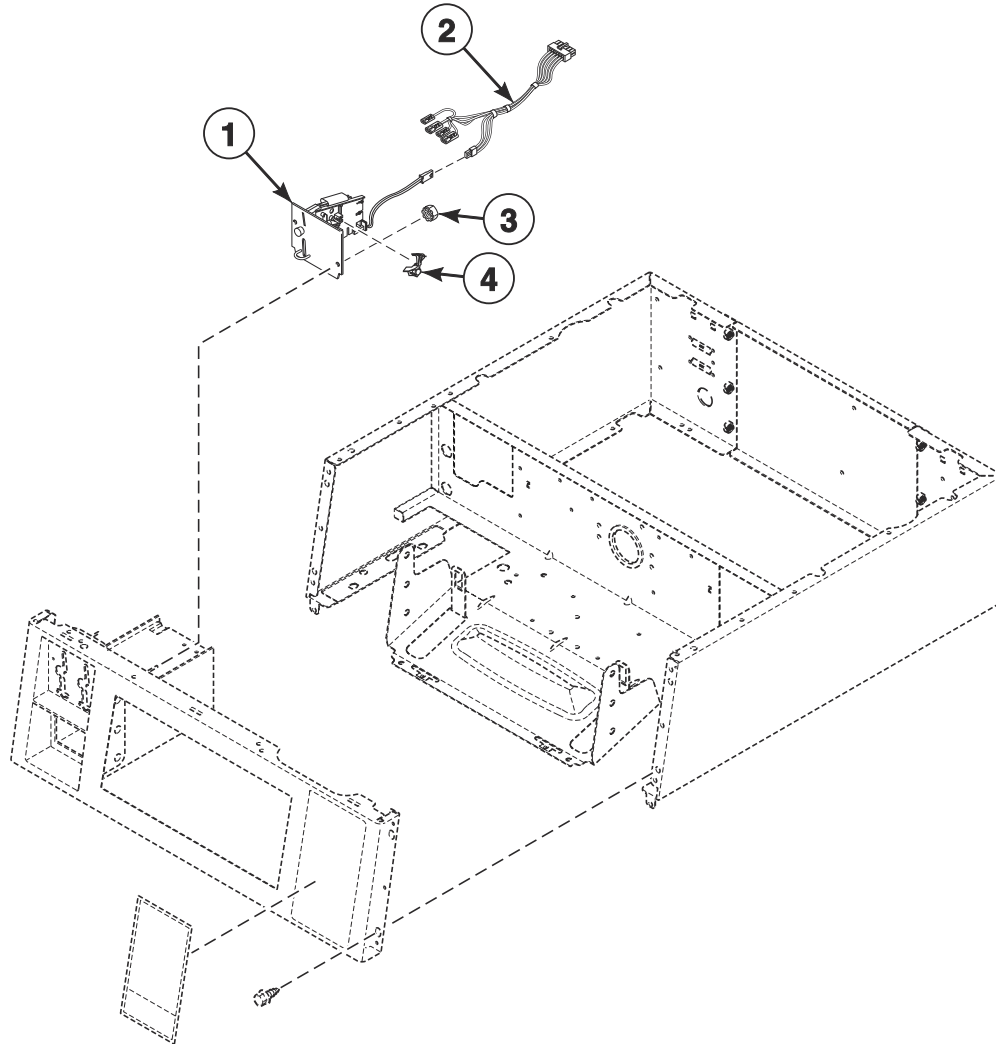
DRY2530P_D518057

Control Cabinet Controls - Front Control Coin Drop Models

REF	PART NO.	DESCRIPTION	COMMENTS
	44087201	Nut	2 required; Use with item 9
1	807396W	Meter Case Assembly	White; Requires high capacity coin vault
2	804104W	Wrapper Assembly	White
3	70240301	Screw	6 required
4	807646	Rear Access Panel	
5	70030501	Expansion Clip	6 required
6	803962WP	Control Panel	White
7	D503688	Screw	
8	D514393	Operating Instructions Label	
9	29651	Bolt	2 required
10	38717	Single Overlay	

Non-Electronic Coin Drop - Front Control Models

Models SDENCAGS173TW01, SDEWCAGS173TW41, SDEWXAGS173TW01, SDGNCAGS113TW01, SDGWCAGS113TW41 and SDGWXAGS113TW01



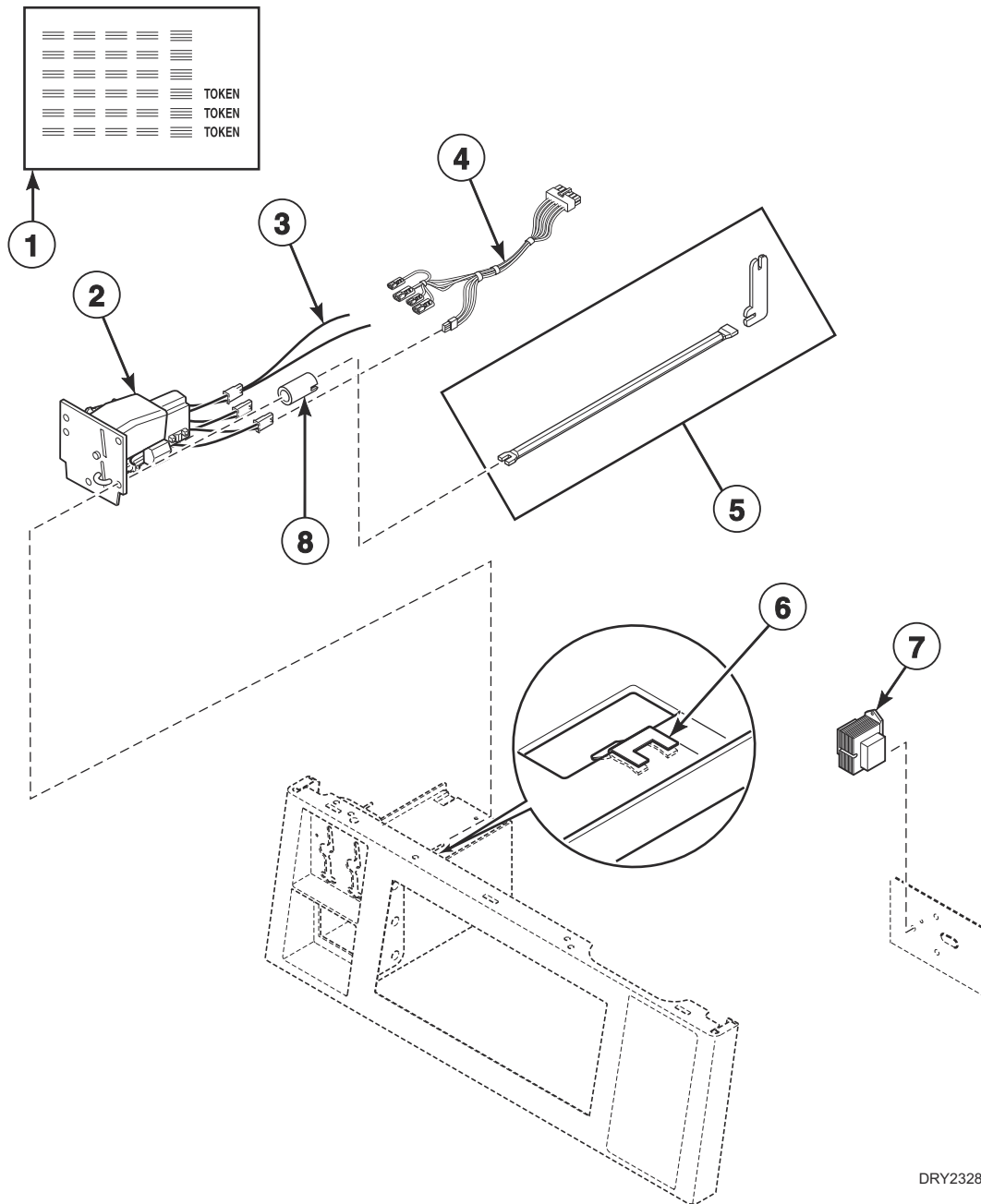
DRY2327P_D518057

Non-Electronic Coin Drop - Front Control Models

REF	PART NO.	DESCRIPTION	COMMENTS
1	38462P	Coin Drop Assembly	Token; 118-1 mzp
	38463	Coin Drop Assembly	Token; 118-5 mzp
	70441601P	Coin Drop	U.S.; \$.25
	38963P	Coin Drop	Token 118-16 not available; Replacement for 38963P Coin Drop only
2	202870	Single Coin Harness Assembly	
3	29786	Nut	
4	201595P	Wire Guard	Anti-stringing security device

Electronic Coin Drop - Front Control Models

Models SDENCAGS173TW01, SDEWCAGS173TW41, SDEWXAGS173TW01, SDGNCAGS113TW01, SDGWCAGS113TW41 and SDGWXAGS113TW01



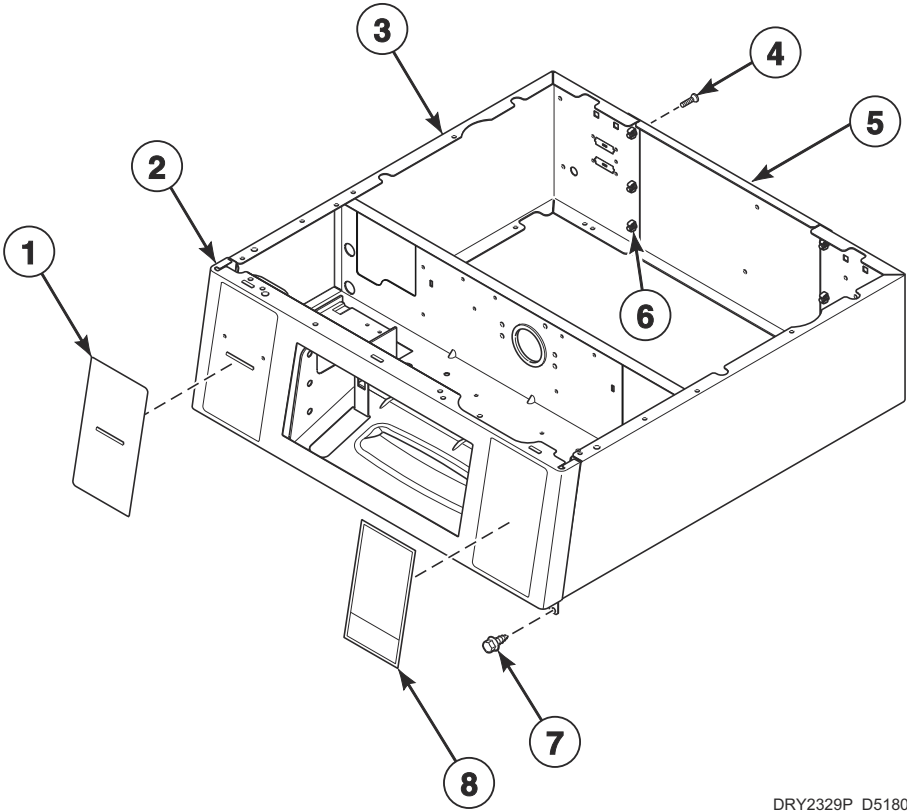
DRY2328P_D518057

Electronic Coin Drop - Front Control Models

REF	PART NO.	DESCRIPTION	COMMENTS
1	38725	Coin Identification Paper	
2	CK113	Electronic Coin Drop Kit	Japan and Taiwan coins
	CK115	Electronic Coin Drop Kit	United States and Canada coins
3	201104	Coin Drop Wire Harness	
4	202870	Single Coin Harness Assembly	If adding electronic coin drop this harness must be used
5	CK096	Mounting Tool Kit	
6	201572	Clip	
7	202757	Transformer	If adding electronic coin drop this transformer must be used
8	29786	Nut	Hex nut; Use on front assemblies without guide rods

Control Cabinet Controls - Front Control Card Ready Models

Models SDENYAGS153TW01, SDENYAGS173TW01, SDEWYAGS153TW01, SDEWYAGS153TW41, SDEWYAGS173TW01, SDEWYAGS173TW41, SDGNYAGS113TW01, SDGWYAGS113TW01 and SDGWYAGS113TW41



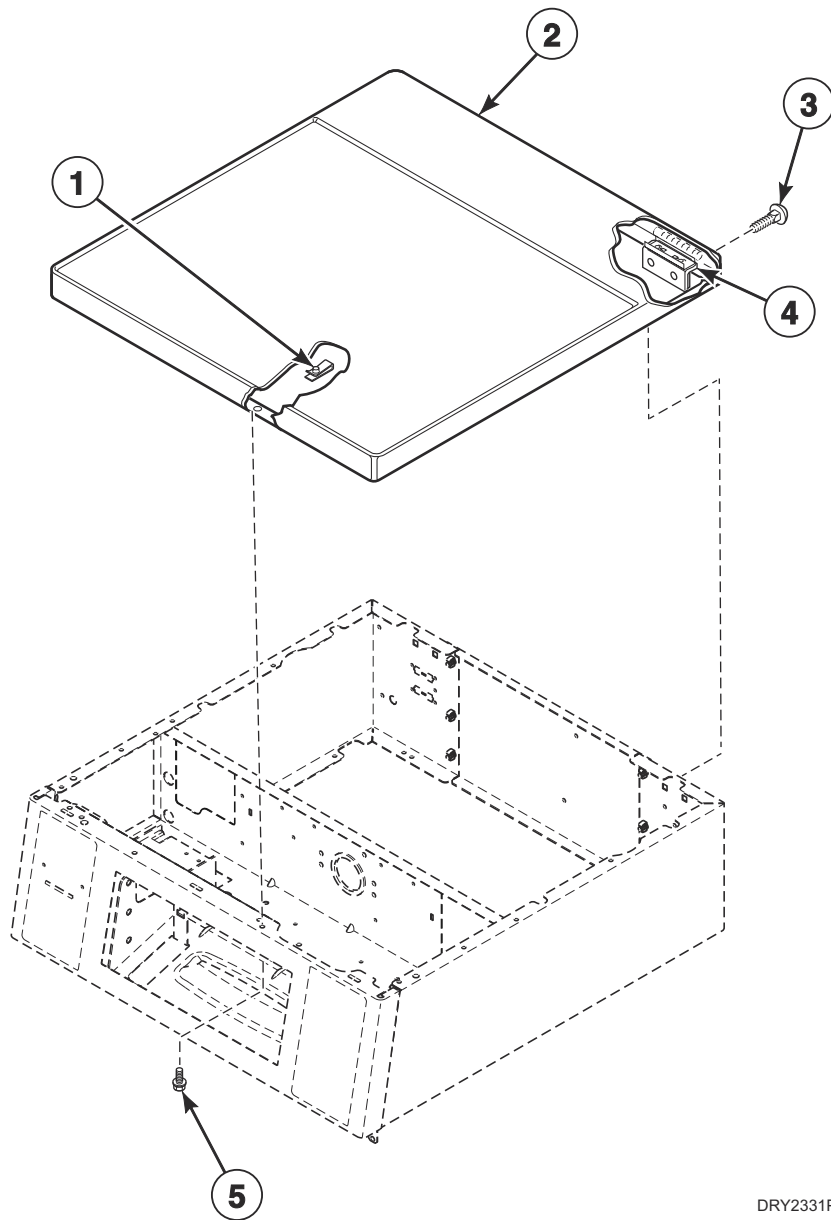
DRY2329P_D518057

Control Cabinet Controls - Front Control Card Ready Models

REF	PART NO.	DESCRIPTION	COMMENTS
1	D514391	Card Insert Overlay	
2	804149WP	Security Cabinet Assembly	White
3	804112W	Wrapper Assembly	White
4	70240301	Screw	6 required
5	807646	Rear Access Panel	
6	70030501	Expansion Clip	6 required
7	D503688	Screw	
8	D517764	Operating Instructions Label	

Cabinet Top - Front Control Models

Models SDENCAGS173TW01, SDENYAGS153TW01, SDENYAGS173TW01, SDEWCAGS173TW41, SDEWXAGS173TW01, SDEWYAGS153TW01, SDEWYAGS153TW41, SDEWYAGS173TW01, SDEWYAGS173TW41, SDGNCAGS113TW01, SDGNYAGS113TW01, SDGWCAGS113TW41, SDGWXAGS113TW01, SDGWYAGS113TW01 and SDGWYAGS113TW41

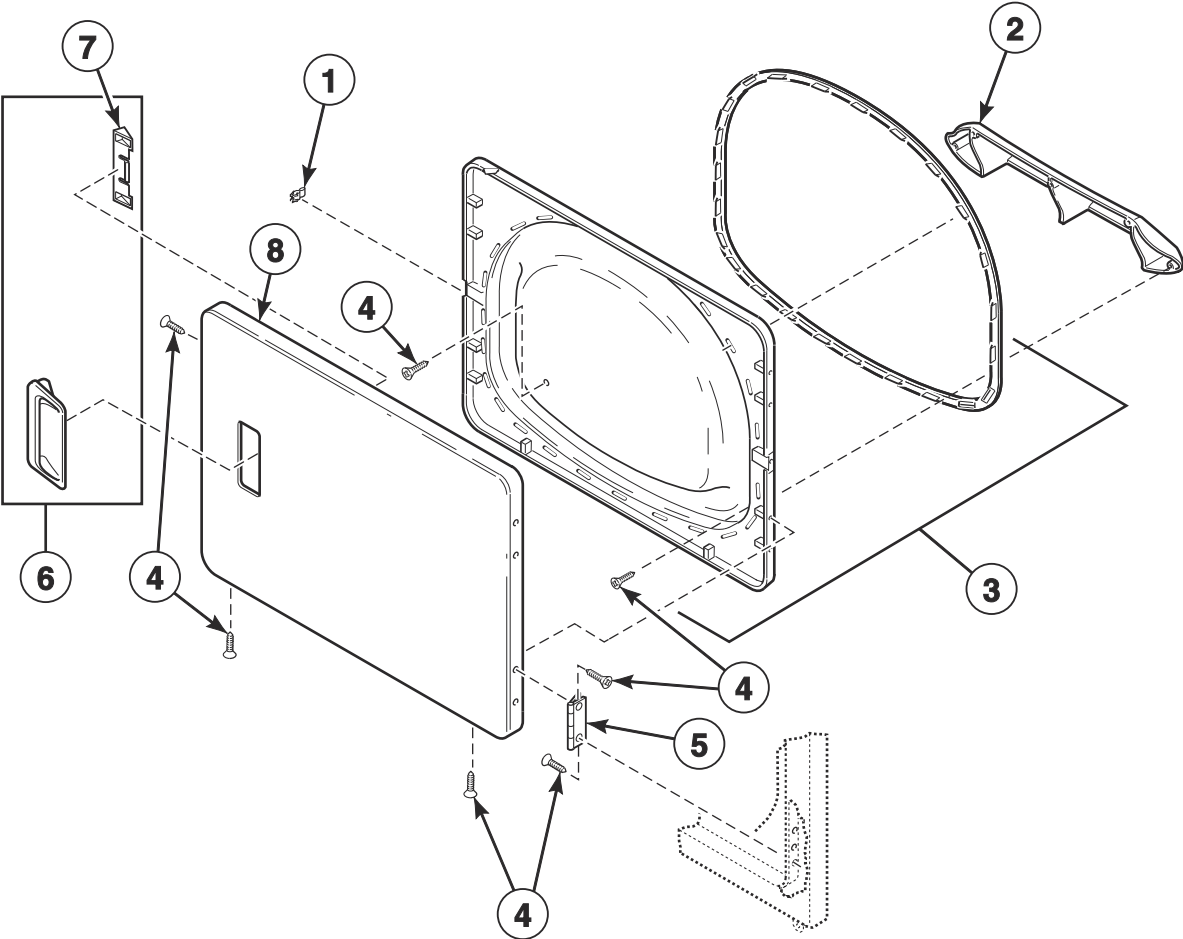


DRY2331P_D518057

Cabinet Top - Front Control Models

REF	PART NO.	DESCRIPTION	COMMENTS
1	36020	Nut	
2	803868WP	Top Panel	White
3	29651	Bolt	
4	D504228	Top Mounting Bracket	
5	23008	Screw	

Loading Door

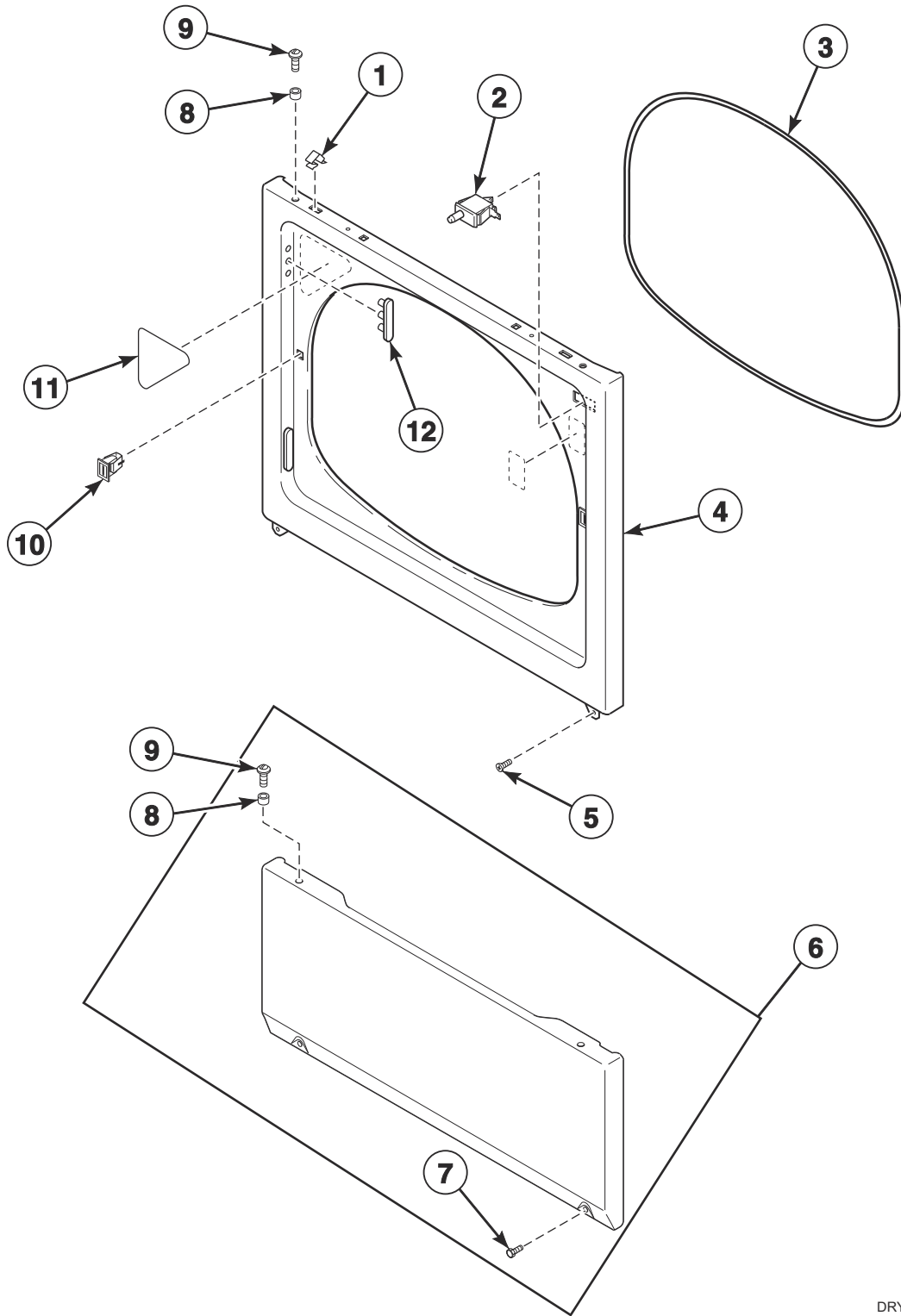


DRY2500P_D518057

Loading Door

REF	PART NO.	DESCRIPTION	COMMENTS
1	D510181	Door Strike	
2	D503870W	Door Liner Grill	
3	D516508	Door Liner Assembly	
4	D505295	Screw	
5	D511036	Hinge	
6	D510103WP	Door Pull and Wedge Kit	Includes item 9; White
7	D510129W	Door Handle Wedge	
8	D510013WP	Dryer Door	White

Access Panel, Front Panel and Seal

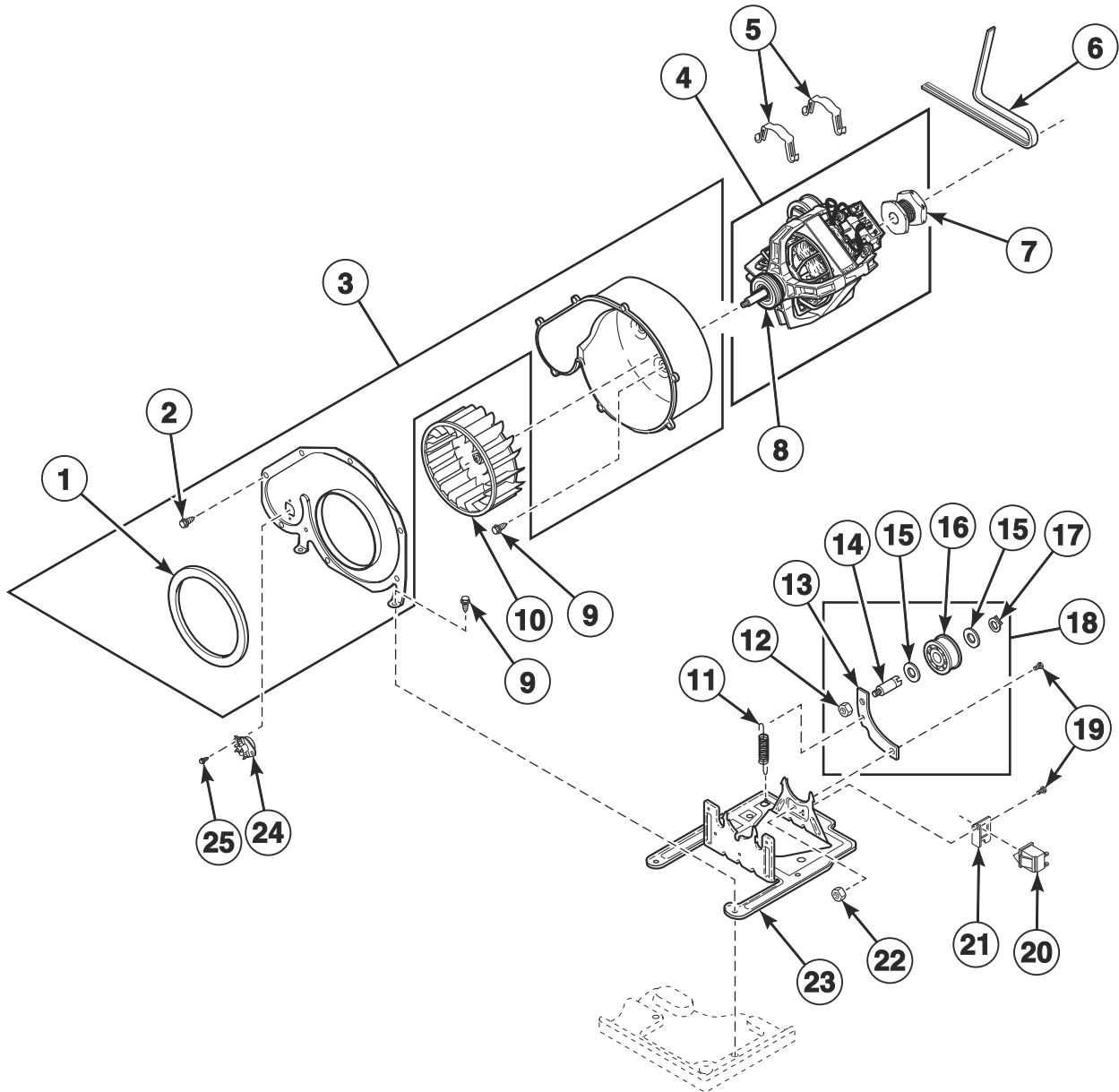


DRY1824P_D518057

Access Panel, Front Panel and Seal

REF	PART NO.	DESCRIPTION	COMMENTS
1	28835	Speed Clip	1 per side
2	D512973	Switch	
3	D511056	Front Panel Seal	
4	D510066WP	Front Panel	White
5	D503688	Screw	
6	D514250WP	Access Panel Assembly	White
7	33562	Screw	Slotted hex head
	62853	Screw	Torx head; Optional for added security
8	56079	Panel Locator	1 per side
9	39733	Screw	1 per side
10	D510177	Door Catch Assembly	
11	D500281	Warning/Caution Label	
12	D510186	Hinge Hole Plug	

Motor, Exhaust Fan and Belt

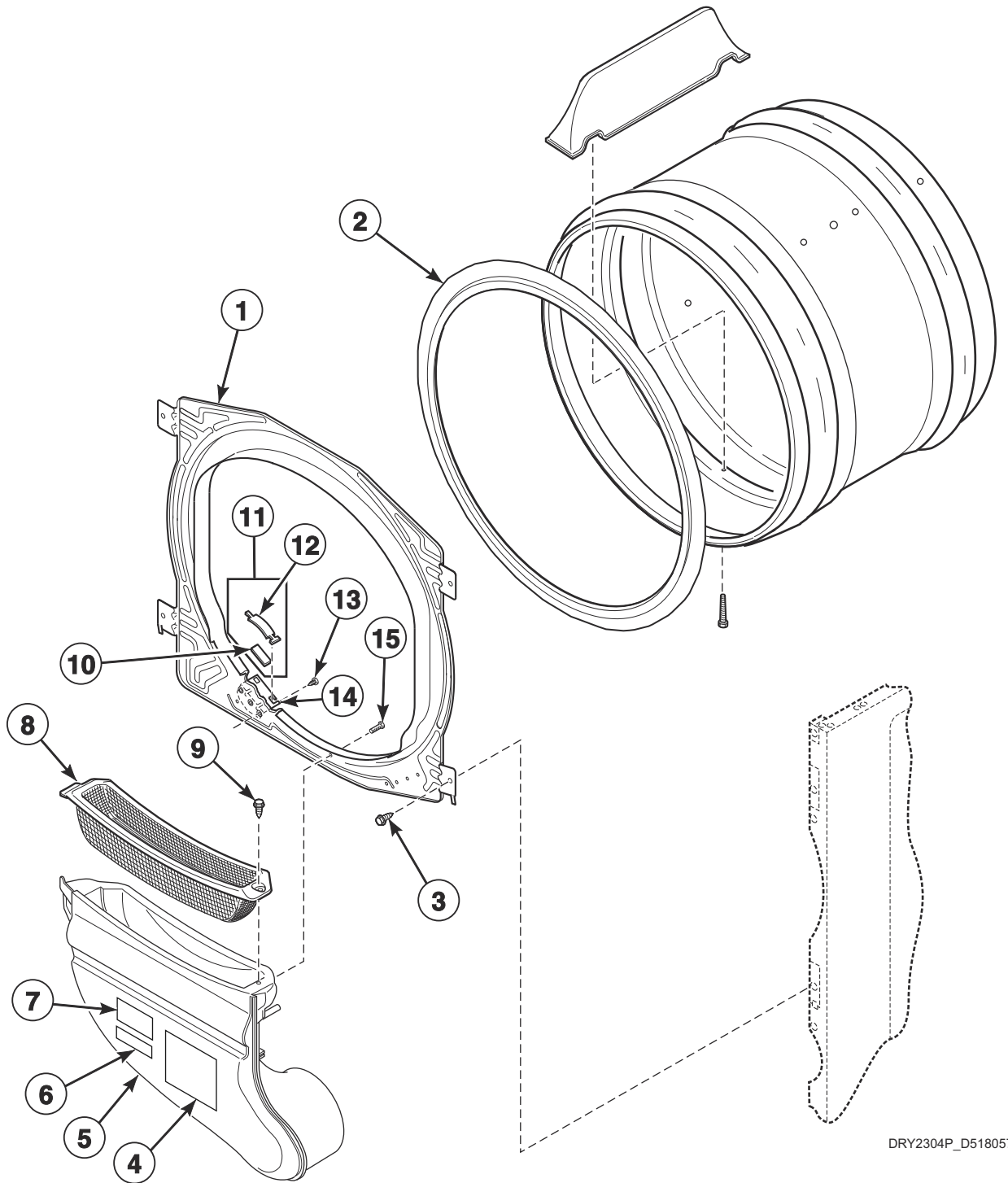


DRY2523P_D518057

Motor, Exhaust Fan and Belt

REF	PART NO.	DESCRIPTION	COMMENTS
	27604P	Anti-Seize Compound	Apply to motor shaft when installing blower fan assembly
1	D510238P	Blower Housing Seal	
2	31260	Screw	
3	D511969WP	Blower Housing	Includes items 1 and 2
4	D511629P	Motor and Pulley Assembly	120 Volt/60 Hertz; Apply anti-seize compound to motor shaft when installing blower fan assembly; Includes items 7 and 8
5	D510180	Motor Mount Clamp	
6	D511255P	Cylinder Belt	
7	D500011	Motor Pulley	60 Hertz
8	590P3	Motor Hub Ring Kit	
9	D503688	Screw	
10	D510139P	Blower Fan Assembly	Apply anti-seize compound to motor shaft when installing blower fan assembly
11	D510185	Idler Spring	
12	44087301	Nut	
13	D516310	Idler Lever	
14	56461P	Shaft	
15	52549	Washer	
16	D510142P	Idler Wheel and Bearing Assembly	
17	23748	Retaining Ring	
18	D516792	Idler Lever and Wheel Assembly	Includes items 12-17
19	D500824	Screw	
20	D516391	Switch	
21	D516311	Motor Switch Bracket	
22	52566	Nut	
23	D510060	Motor Mount	
24	D510523	Thermistor Assembly	Black
25	D502535	Screw	

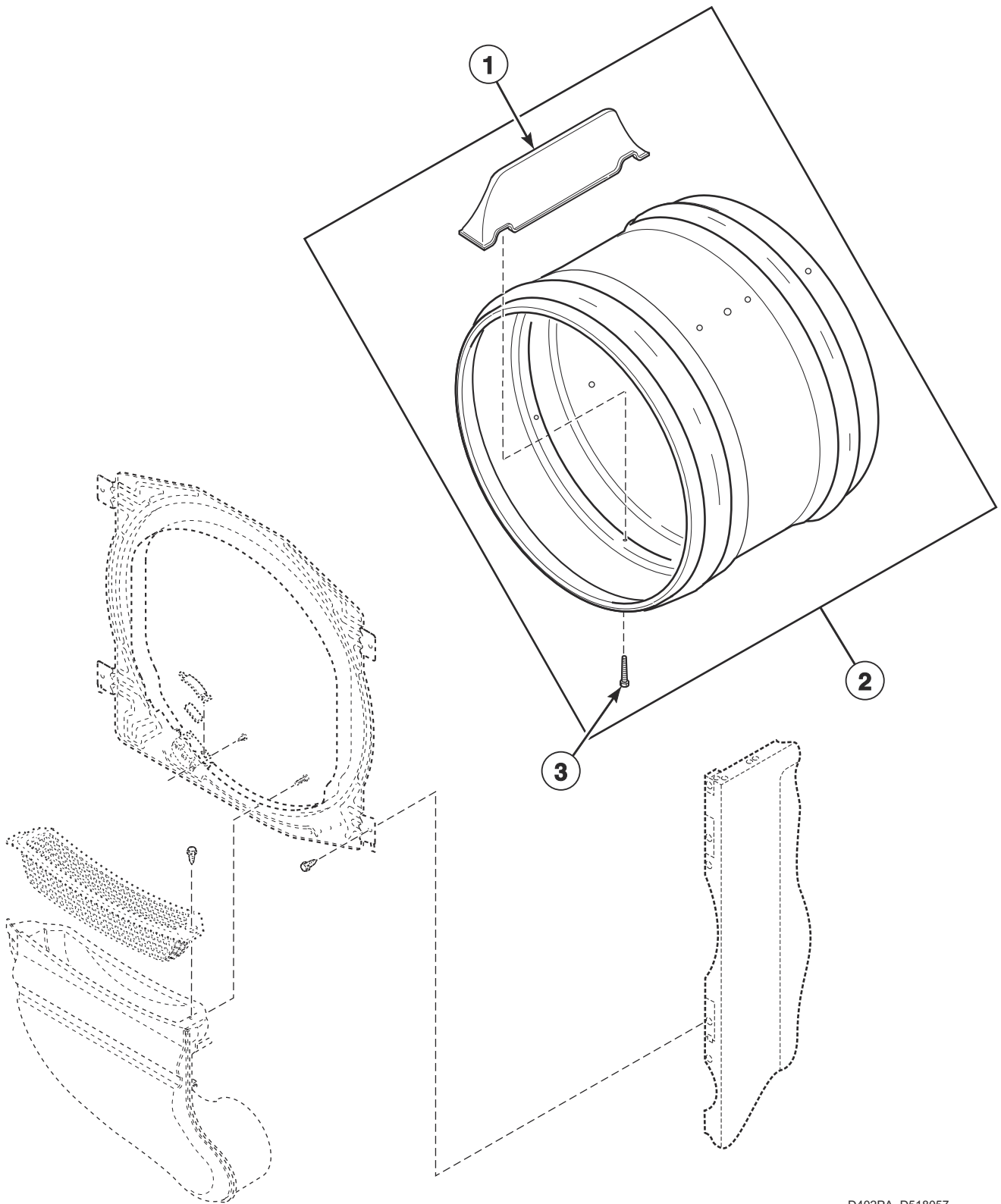
Front Bulkhead, Air Duct and Felt Seal



Front Bulkhead, Air Duct and Felt Seal

REF	PART NO.	DESCRIPTION	COMMENTS
1	D510266P	Front Bulkhead Assembly	Unpainted; Includes item 2 and 7-10
2	D510207P	Cylinder Seal Assembly	
	D511637P	Adhesive	Apply to cylinder seal
	RB170001	Seal Kit	Includes 2 cylinder seals, D510238P Blower Housing Seal and Adhesive
3	D505295	Screw	Use with painted side panels
4	D511004	Gas Clearance Label	Gas models
5	D515805LG	Air Duct Assembly	
6	61294	Fuse Notice Label	Electric models
7	D500049	Warning Label	
8	D503980LG	Lint Filter	
9	D501285	Screw	
10	D510189	Felt Pad	1 per side
11	RB170003	Glide Kit	Includes items 7 and 9; Quantity: 2 of each item
12	D513710	Cylinder Glide	1 per side
13	52864	Screw	2 per side
14	D510145	Cylinder Glide Bracket	1 per side
15	D505295	Screw	1 per side
1	D510102W	Cylinder Baffle	White
2	D510265WP	Cylinder Assembly	Galvanized; Includes 3 of item 1 and 6 of item 3; White baffles
3	62588	Screw	

Cylinder Assembly

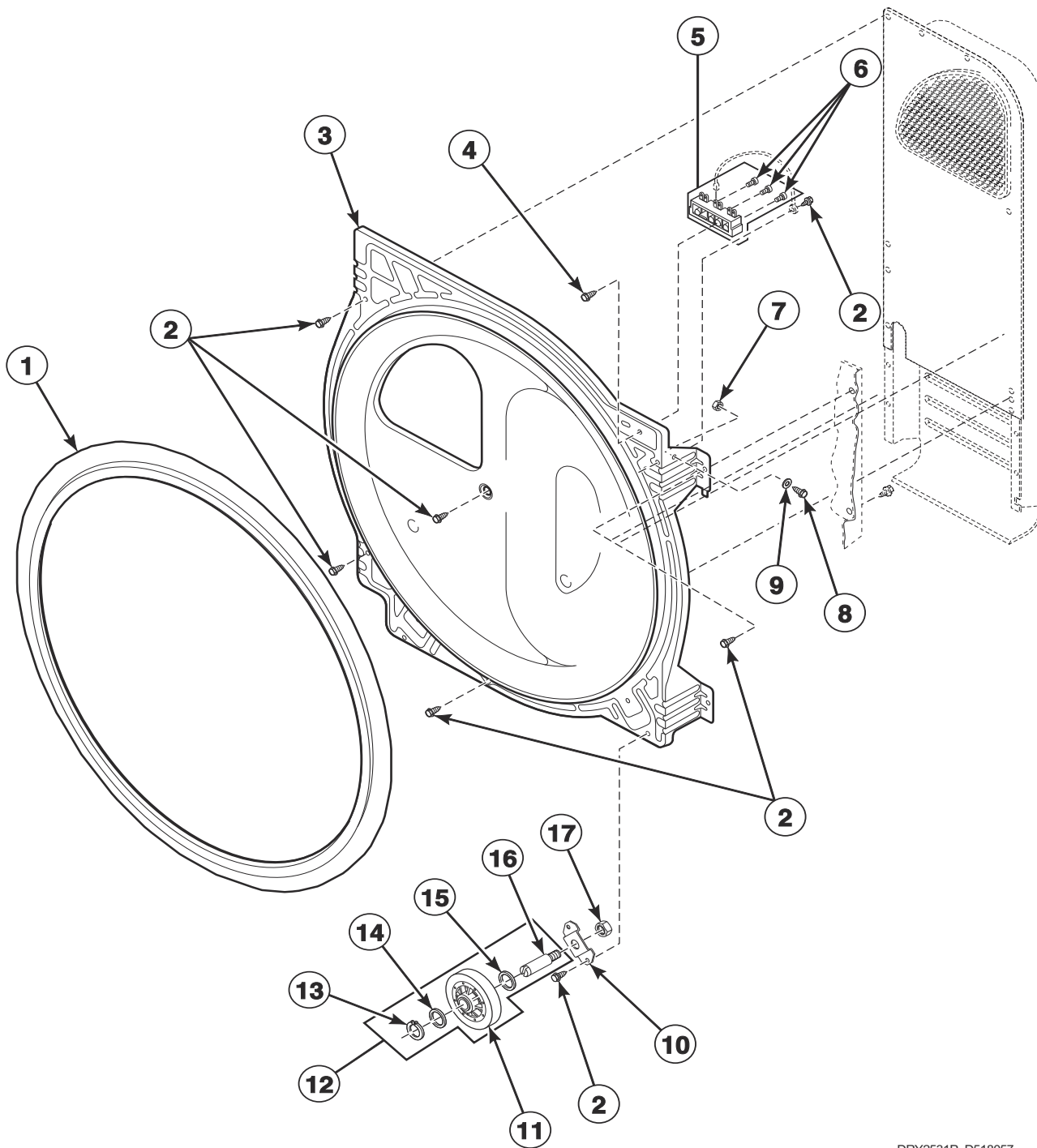


D402PA_D518057

Cylinder Assembly

REF	PART NO.	DESCRIPTION	COMMENTS
1	D510102W	Cylinder Baffle	White
2	D510265WP	Cylinder Assembly	Galvanized; Includes 3 of item 1 and 6 of item 3; White baffles
3	62588	Screw	

Rear Bulkhead, Felt Seal, Cylinder Roller and Terminal Block

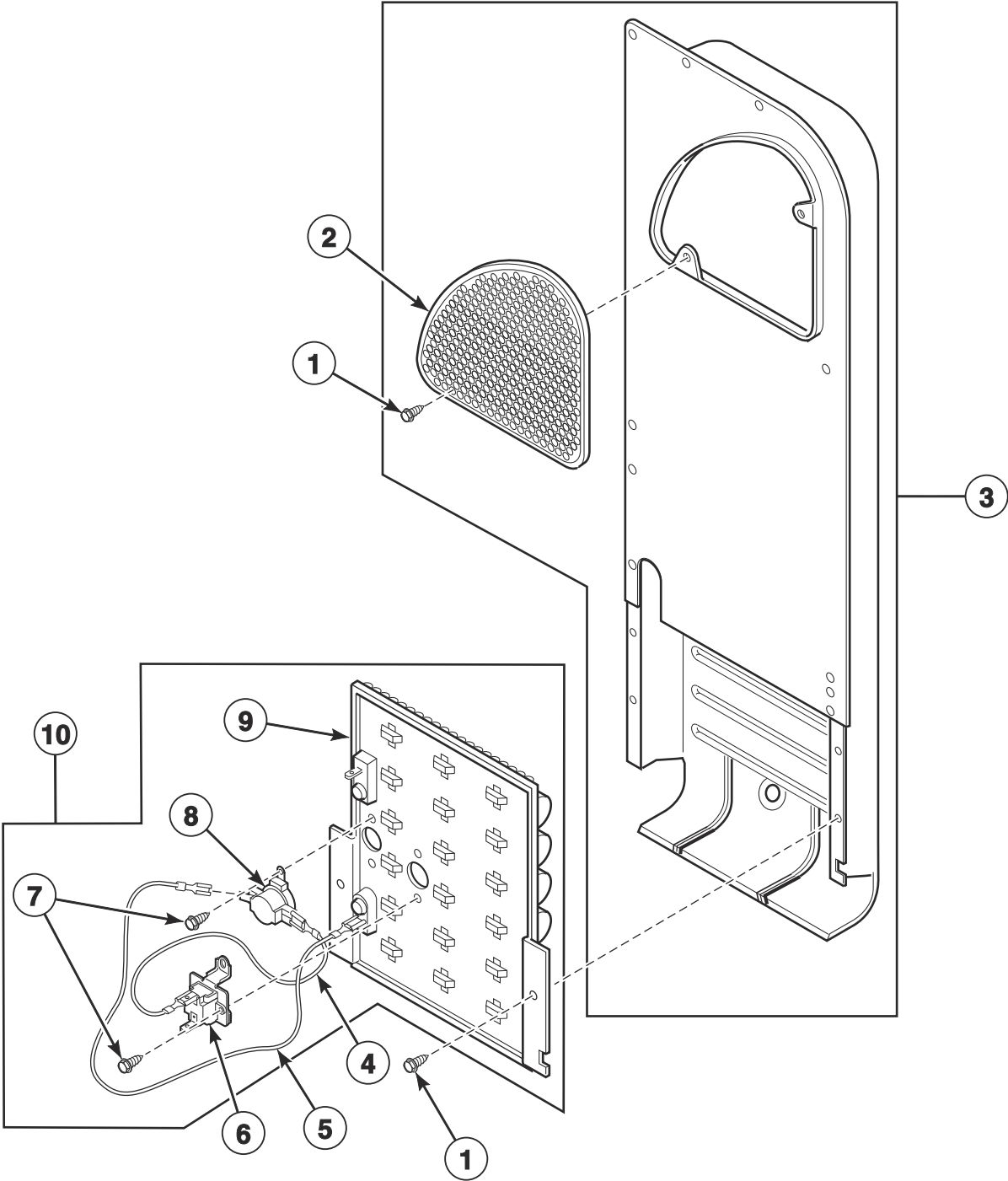


DRY2531P_D518057

Rear Bulkhead, Felt Seal, Cylinder Roller and Terminal Block

REF	PART NO.	DESCRIPTION	COMMENTS
1	D510207P	Cylinder Seal Assembly	
	D511637P	Adhesive	Apply to cylinder seal
	RB170001	Seal Kit	Includes 2 cylinder seals, D510238P Blower Housing Seal and Adhesive
2	D503688	Screw	
3	D511082P	Rear Bulkhead Assembly	Galvanized; Includes item 1
4	D501285	Screw	Electric models
5	D510190P	Terminal Block Assembly	Includes 3 of item 6; Electric models
6	61199	Screw	
7	28447	Nut	
8	28448	Screw	
9	28449	Washer	
10	D510100	Cylinder Roller Bracket	
11	D510708P	Cylinder Roller	
12	RB170002	Roller Kit	Includes items 11 and 13-16
13	23748	Retaining Ring	
14	52549	Washer	
15	D504082	Washer	
16	56461P	Shaft	
17	44087301	Nut	

Heater Duct and Element Assembly - Electric Model Dryers

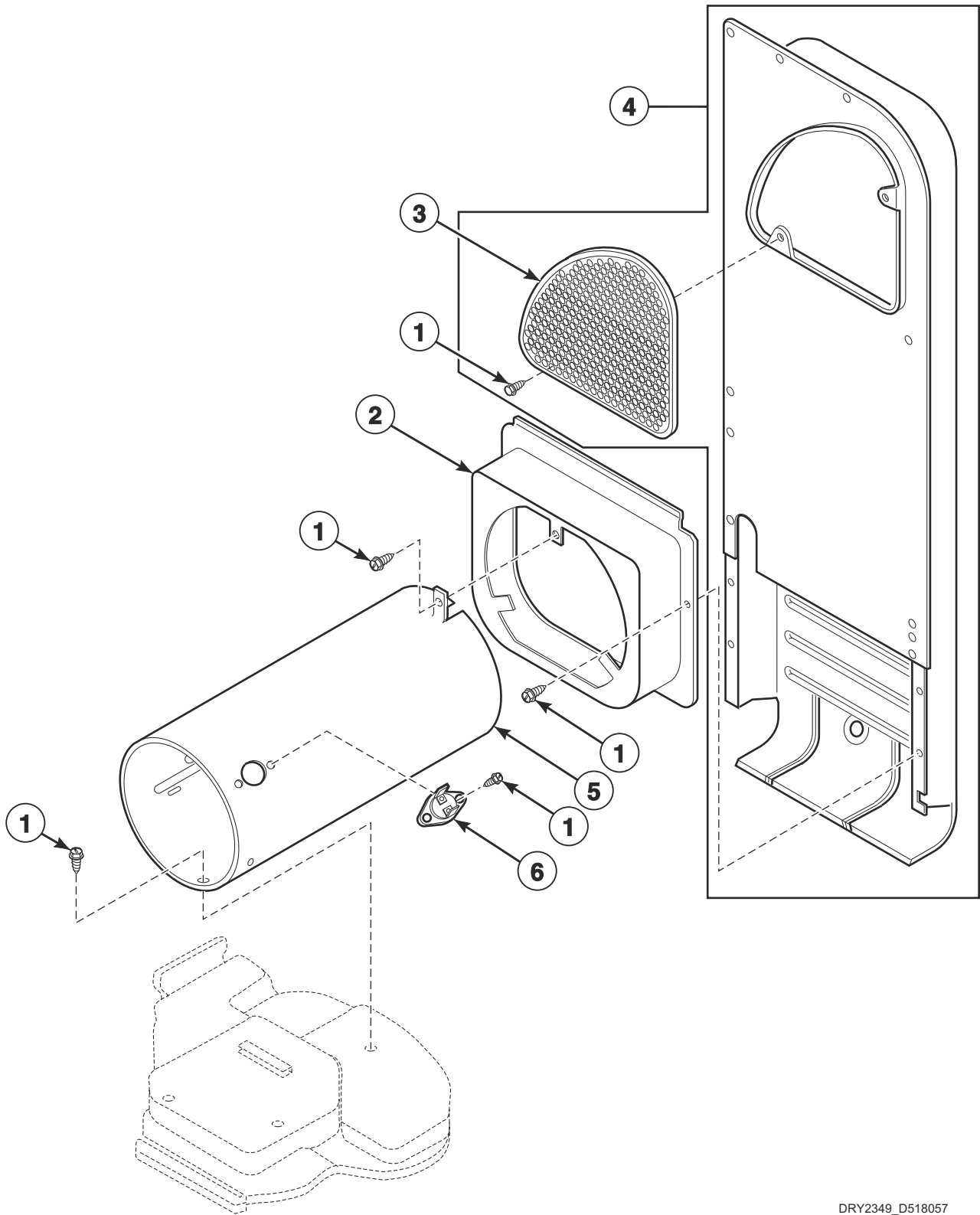


DRY1789P_D518057

Heater Duct and Element Assembly - Electric Model Dryers

REF	PART NO.	DESCRIPTION	COMMENTS
1	D503688	Screw	
2	D500820	Outlet Cover	
	D515573	Outlet Cover	Black
3	D510025P	Heater Duct Assembly	Includes items 1 and 2
4	D510528	Wire Assembly	Orange; Thermostat jumper; Attaches to heater assembly
5	D510527	Wire Assembly	Black; Fuse jumper; Attaches to heater assembly
6	D511412	Thermal Fuse Assembly	
7	23222	Screw	
8	D510701	Limit Thermostat	
9	D510325P	Heater	4.75 kW; 208 Volt; Models SDENCRGS153TW01, SDENYAGS153TW01, SDENYRGS153TW01, SDEWCRGS153TW42, SDEWYAGS153TW01, SDEWYAGS153TW41, SDEWYRGS153TW01 and SDEWYRGS153TW41
	D510329P	Heater Assembly	5.35 kW; 240 Volt; All other models
10	61928	Heater Kit Assembly	4.75 kW; 208 Volt; Includes items 4-9
	964P3	Heater Kit	5.35 kW; 240 Volt; Includes items 4-9

Heater Duct Assembly - Gas Model Dryers



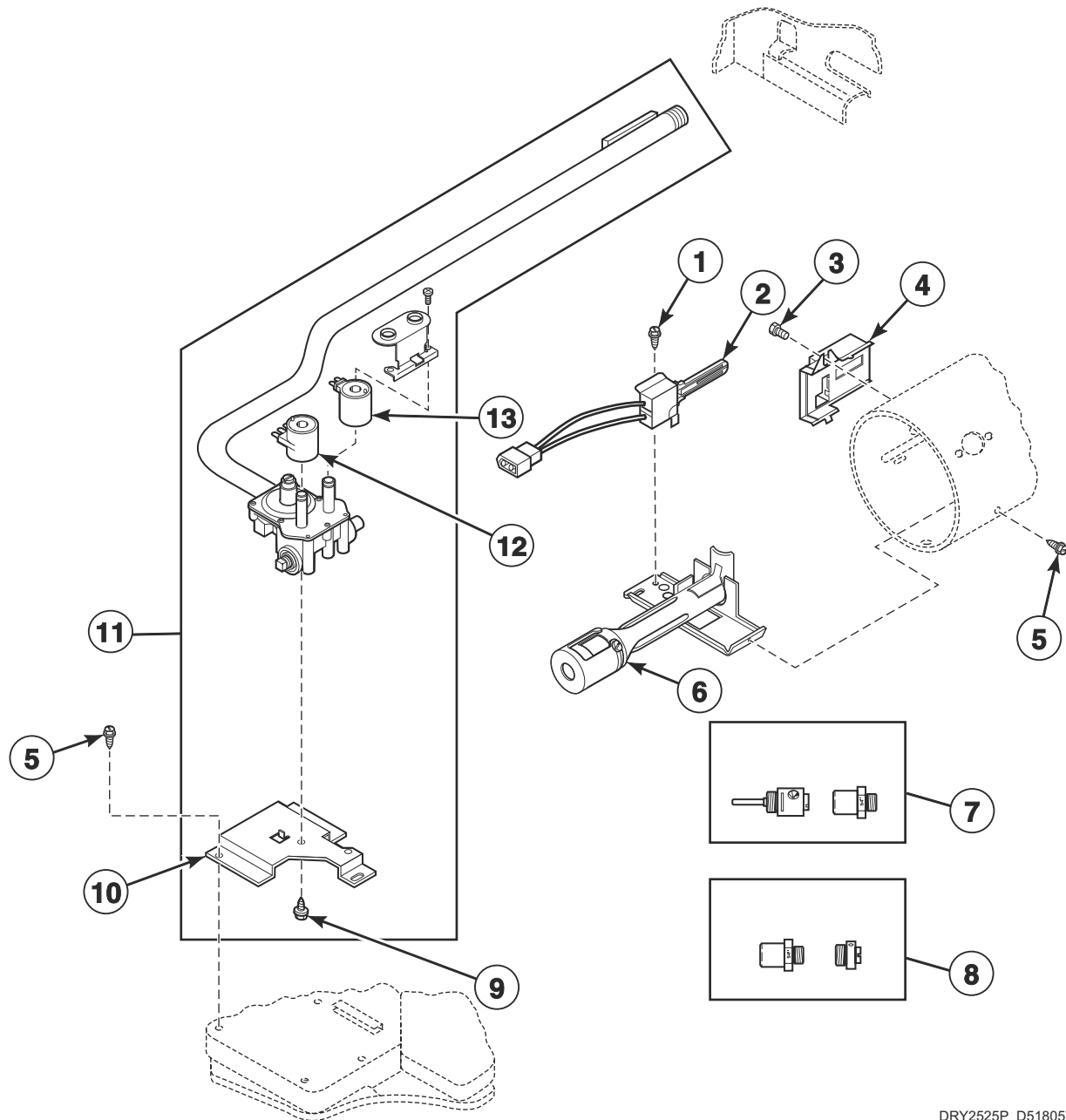
DRY2349_D518057

Heater Duct Assembly - Gas Model Dryers

REF	PART NO.	DESCRIPTION	COMMENTS
1	51782	Screw	
2	D510101	Heat Duct Shroud	
3	D500820	Outlet Cover	
	D515573	Outlet Cover	Black
4	D510025P	Heater Duct Assembly	Includes items 1 and 3
5	D510131	Combustion Duct	
6	D510702	Limit Thermostat	Black; Auto reset

Gas Valve, Igniter and Gas Conversion Kits

Gas Models



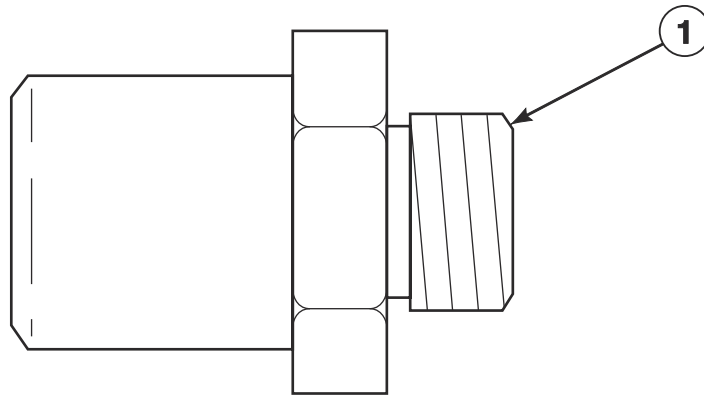
DRY2525P_D518057

Gas Valve, Igniter and Gas Conversion Kits

REF	PART NO.	DESCRIPTION	COMMENTS
1	51782	Screw	
2	D510184P	Igniter and Bracket Assembly	
3	23222	Screw	
4	D510213	Sensor	
5	D503688	Screw	
6	D510149P	Burner Assembly	
7	458P3	L.P. Conversion Kit	Used to convert dryers from Natural Gas (N.G.) or Mixed Gas to Liquid Petroleum Gas (L.P.) for 25,000 Btu
8	459P3	N.G. Conversion Kit	Used to convert dryers from L.P. to N.G. or Mixed Gas for 25,000 Btu
9	56124	Screw	
10	D510128	Gas Valve Mounting Bracket	
11	D517606	Gas Valve, Bracket and Pipe Assembly	60 Hertz; 25,000 Btu; N.G.; Includes items 9, 10, 12 and 13
12	58804A	Booster and Holding Coil	
13	58804B	Secondary Coil	

Burner Orifice Spuds - For Higher Elevations

Gas Models

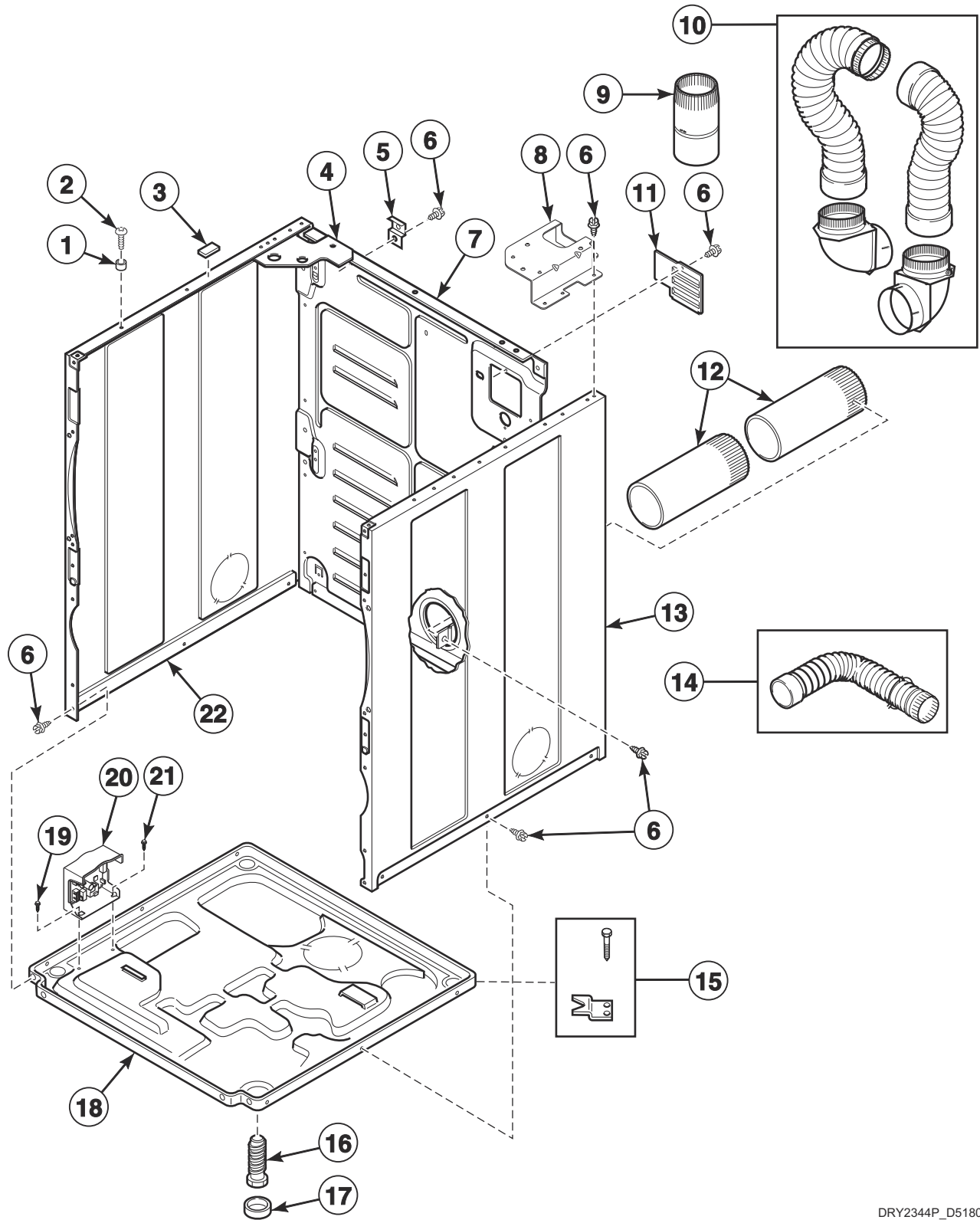


DRY2266P_D518057

Burner Orifice Spuds - For Higher Elevations

REF	PART NO.	DESCRIPTION	COMMENTS
1	58755	L.P. Orifice	Liquid Petroleum Gas (L.P.); 7500-10999 feet (2290-3354 m)
	D503786	L.P. Orifice	L.P.; 11000 feet (3355 m) and higher
	D503776	N.G. Orifice	Natural Gas (N.G.); 2000-2999 feet (610-914 m)
	D510517	N.G. Orifice	N.G.; 3000-5499 feet (915-1679 m)
	D503778	N.G. Orifice	N.G.; 5500-6999 feet (1680-2134 m)
	58719	Screw Orifice	N.G.; 7000-8999 feet (2135-2744 m)
	D503779	N.G. Orifice	N.G.; 9000-10499 feet (2745-3199 m)
	D503780	N.G. Orifice	N.G.; 10500 feet (3200 m) and higher

Cabinet, Exhaust Duct and Base



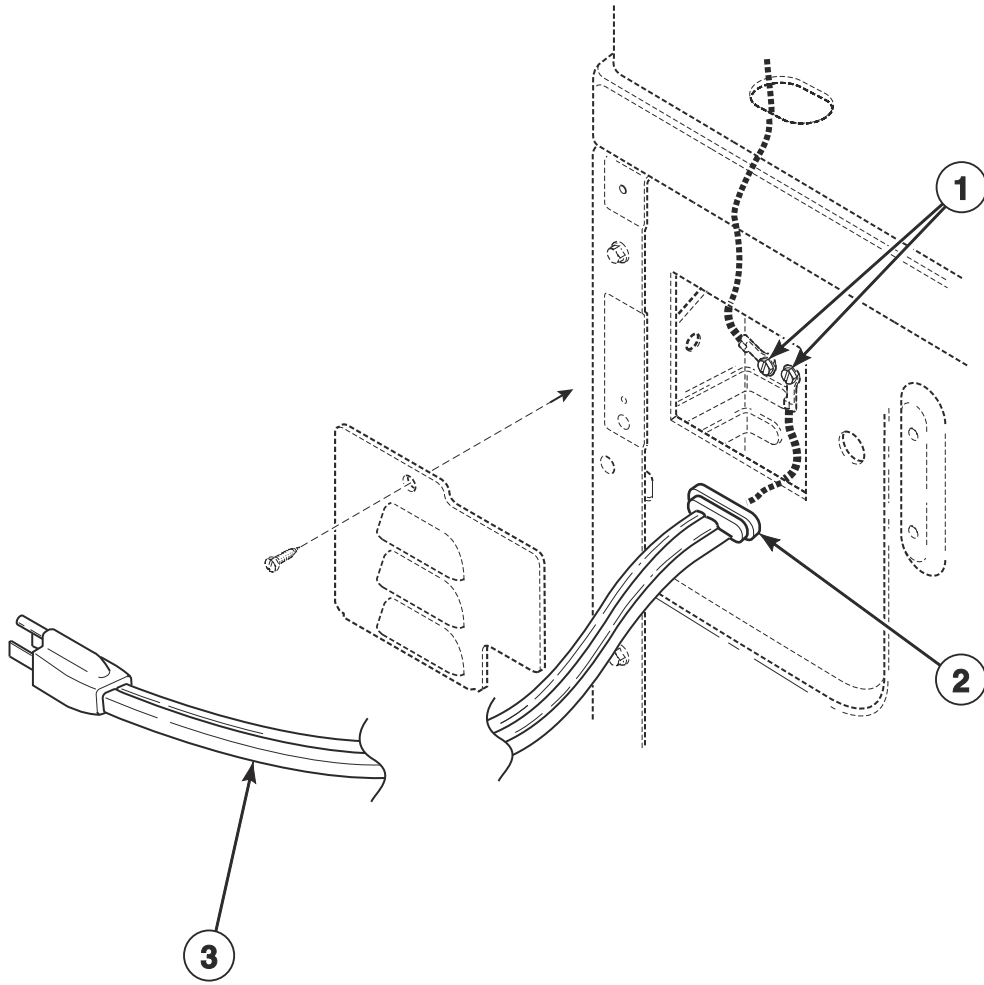
DRY2344P_D518057

Cabinet, Exhaust Duct and Base

REF	PART NO.	DESCRIPTION	COMMENTS
1	56079	Panel Locator	
2	39733	Screw	
3	56128	Bumper Pad	
4	D510337	Frame Gusset	
5	D510136	Top Hinge	
6	D503688	Screw	
7	D517566	Cabinet Rear Panel	
8	547P3	Coin Cabinet Hardware Kit	
9	58786	Damper	Use when connecting to a manifold vent system
10	521P3	Flexible Venting Kit	
11	D510903	Access Panel Plate	
12	D516196	Exhaust Duct	Each dryer requires 2 pieces
13	D510002WP	Cabinet Side Panel	White; Right
14	528P3	Directional Exhaust Kit	Used to vent dryer out the sides or bottom
15	526P3	Hold Down Kit	For mobile home installations
16	D510135	Leveling Leg	
17	D501855	Rubber Foot	
18	D514245	Dryer Base	
19	D514428	Screw	
20	D517191	Output Control Assembly	
21	804667	Screw	
22	D510001WP	Cabinet Side Panel	White; Left

Power Cord

Gas Models

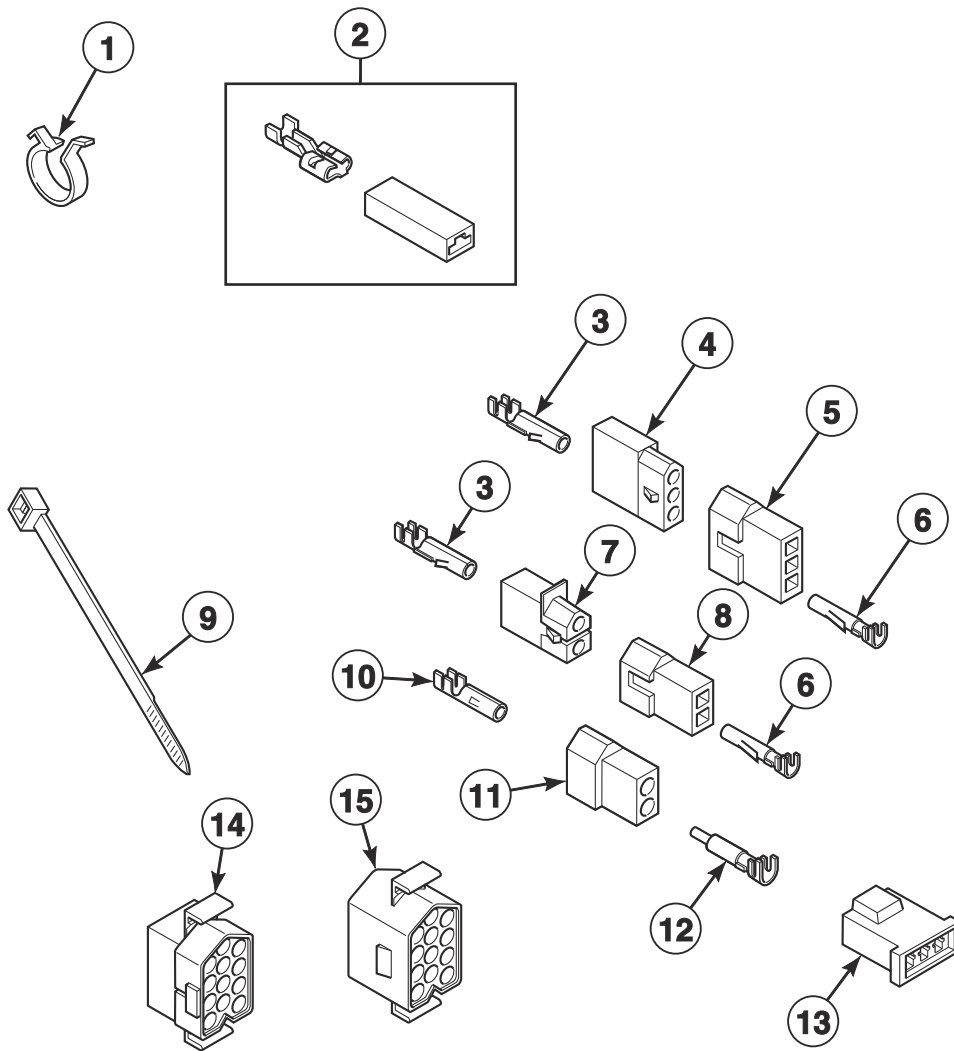


DRY1879P_D518057

Power Cord

REF	PART NO.	DESCRIPTION	COMMENTS
1	20530	Screw	
2	D517490	Strain Relief	
3	202777	Lead-In Cord	

Terminal Block and Terminals (Drawing 1 of 2)

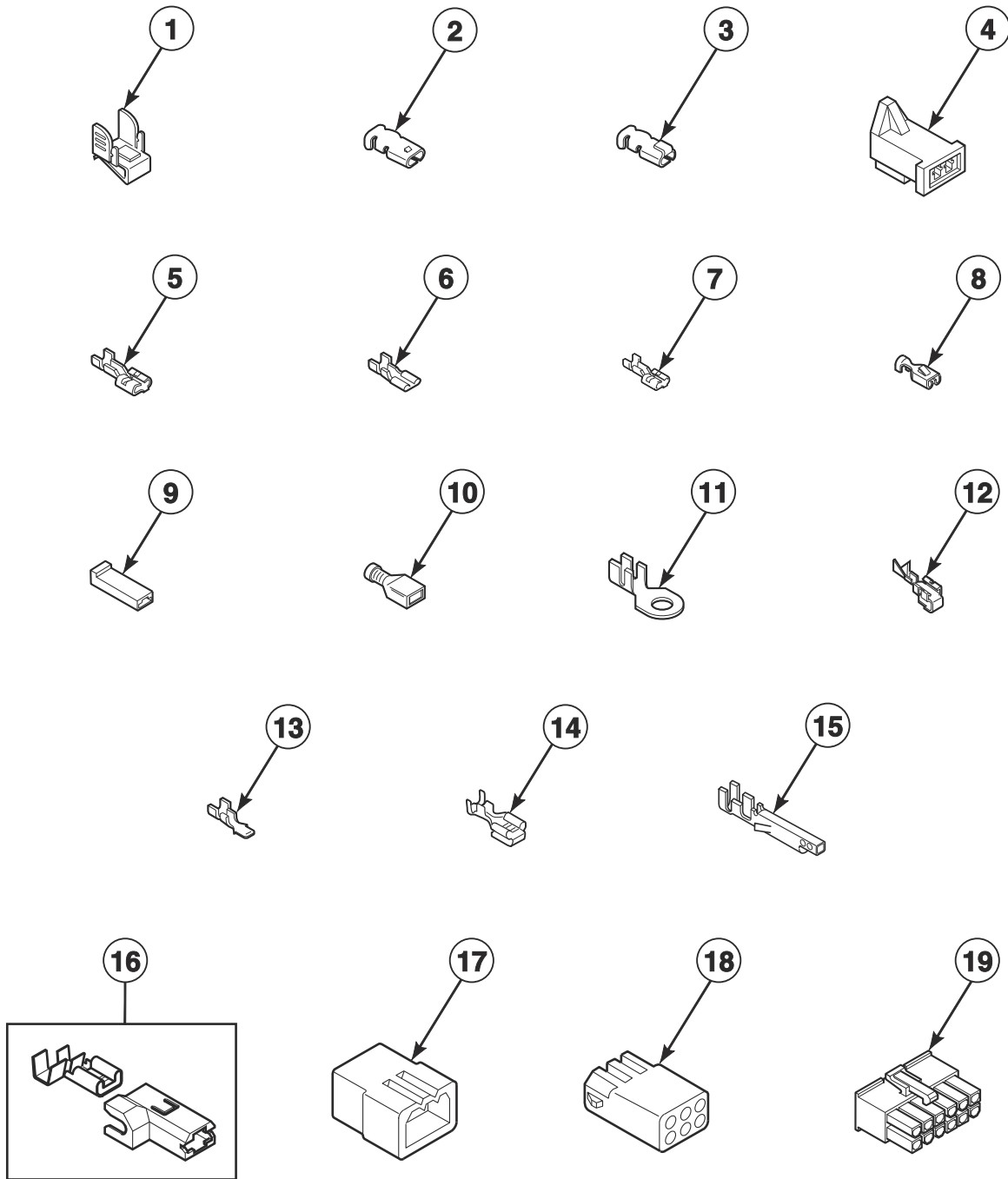


DRY2038P_D518057

Terminal Block and Terminals (Drawing 1 of 2)

REF	PART NO.	DESCRIPTION	COMMENTS
1	D504034	Wire Clip	11/16 inch
	687500	Wire Clip	1 inch
2	00360	Insulated Female Spade Terminal	(1) 12 gauge wire or (2) 18 gauge wires
3	00117	Female Pin Terminal	
4	23039	3 Circuit Receptacle	
5	23040	Plug	3 circuit
6	00116	Male Pin Terminal	
7	56451	2 Circuit Receptacle	
8	56448	2 Circuit Plug	
9	55881	Harness Strap	
10	00128	Female Pin Terminal	1/8 inch; 10-14 gauge wire
	00130	Female Pin Terminal	1/8 inch; 16-18 gauge wire
11	56266	2 Circuit Plug	
12	00127	Male Pin Terminal	1/8 inch; 10-14 gauge wire
	00129	Male Pin Terminal	1/8 inch; 16-18 gauge wire
13	58800	3 Circuit Connector	
14	54522	Plug	
15	56855	12 Circuit Receptacle	

Terminal Block and Terminals (Drawing 2 of 2)

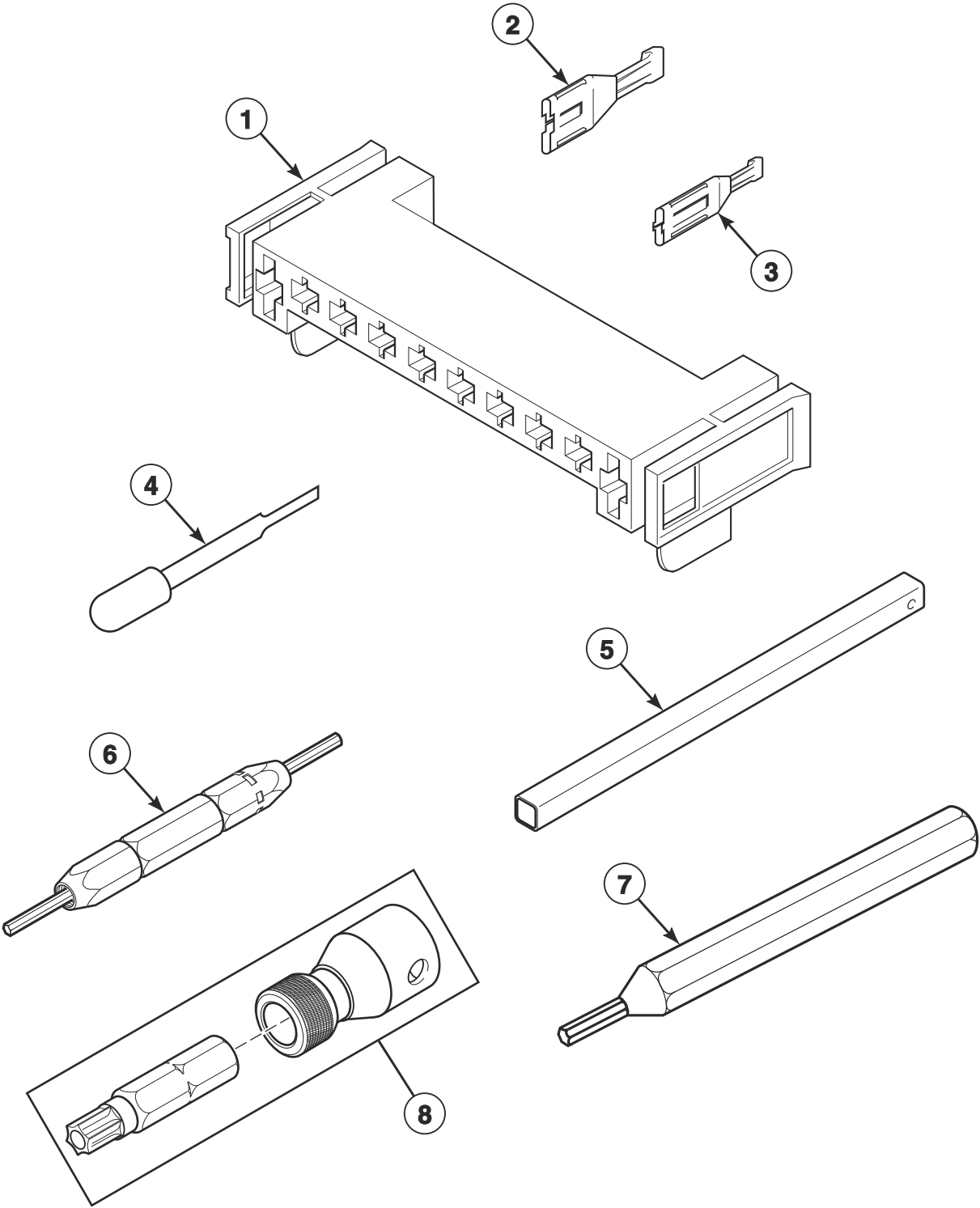


DRY2338P_D518057

Terminal Block and Terminals (Drawing 2 of 2)

REF	PART NO.	DESCRIPTION	COMMENTS
1	00161	Grounding Clip	
2	00189	Female Spade Terminal	1/8 inch
3	00361	Female Piggyback Terminal	
4	58799	2 Circuit Connector	
5	00223	Female Spade Terminal	1/4 inch; (1) 18 gauge wire
	00121	Female Spade Terminal	1/4 inch; (2) 18 gauge wires or (1) 12 gauge wire
	00245	Spade Terminal	1/4 inch; (1) 22 gauge wire
6	00124	Female Spade Terminal	3/16 inch; (1) 18 gauge wire; .020 tab
7	00222	Female Spade Terminal	1/4 inch
8	00115	Female Spade Terminal	1/4 inch; (1) 18 gauge wire
9	90789	Receptacle Housing	
10	00359	Insulated Female Spade Terminal	1/4 inch
11	00110	Ring Terminal	No. 10; (1) 18 gauge wire
12	00114	Female Spade Terminal	1/4 inch; Double connector
13	00139	Male Tab Terminal	1/4 inch; (2) 18 gauge wires or (1) 12 gauge wire
14	00344	Female Tab Terminal	1/4 inch
15	00252	Terminal	
16	00221	Insulated Female Flag Terminal	
17	23033	9 Circuit Plug	
	26302	1 Circuit Plug	
18	26708	6 Circuit Receptacle	
	26301	1 Circuit Receptacle	
19	34596	10 Circuit Receptacle	
	D501333	12 Circuit Receptacle	

Terminals and Terminal Extractor Tools



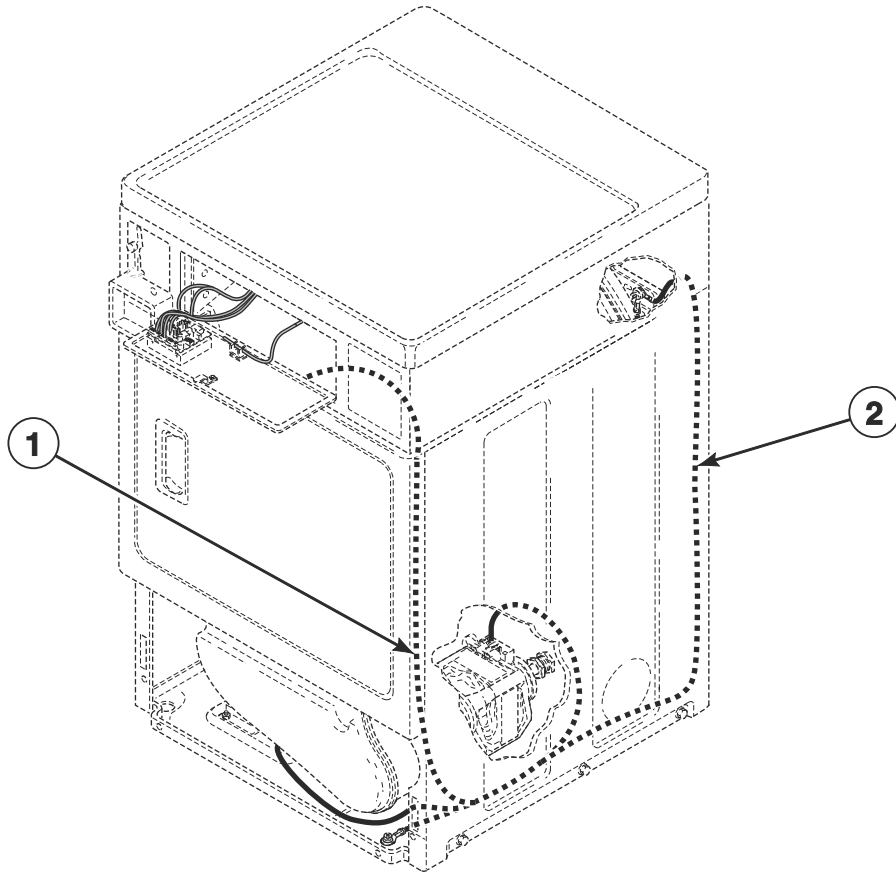
DRY2066P_D518057

Terminals and Terminal Extractor Tools

REF	PART NO.	DESCRIPTION	COMMENTS
1	D500338	10 Position Housing	
2	00255	Female Terminal	1/4 inch; (1) 12 gauge wire
	00256	Female Terminal	1/4 inch; (1) or (2) 18 gauge wires
3	00188	Female Terminal	For 1 or 2 wire application
4	283P4	Terminal Extractor Tool	For use on Molex connectors
5	310P4	Ratchet Extension Tool	1/4 inch; For coin drop installation
6	190P4	Extractor Tool	For use on electric dryer terminals
7	128P4	Extractor Tool	For use on gas dryer terminals
8	281P4	Torx Bit	T15 Tamper Resistant Bit
	282P4	Torx Bit	Use with 62853 Screw on access panel; T25 Tamper Resistant Bit
	292P4	Torx Bit	T20 Standard Bit
	93501	Torx Drive Tool	T10 Standard Bit

Wire Harnesses and Wires - Front Control Models (Drawing 1 of 2)

Models SDGNCAGS113TW01, SDGNYAGS113TW01, SDGWCAGS113TW41, SDGWXAGS113TW01,
SDGWYAGS113TW01 and SDGWYAGS113TW41



DRY2372P_D518057

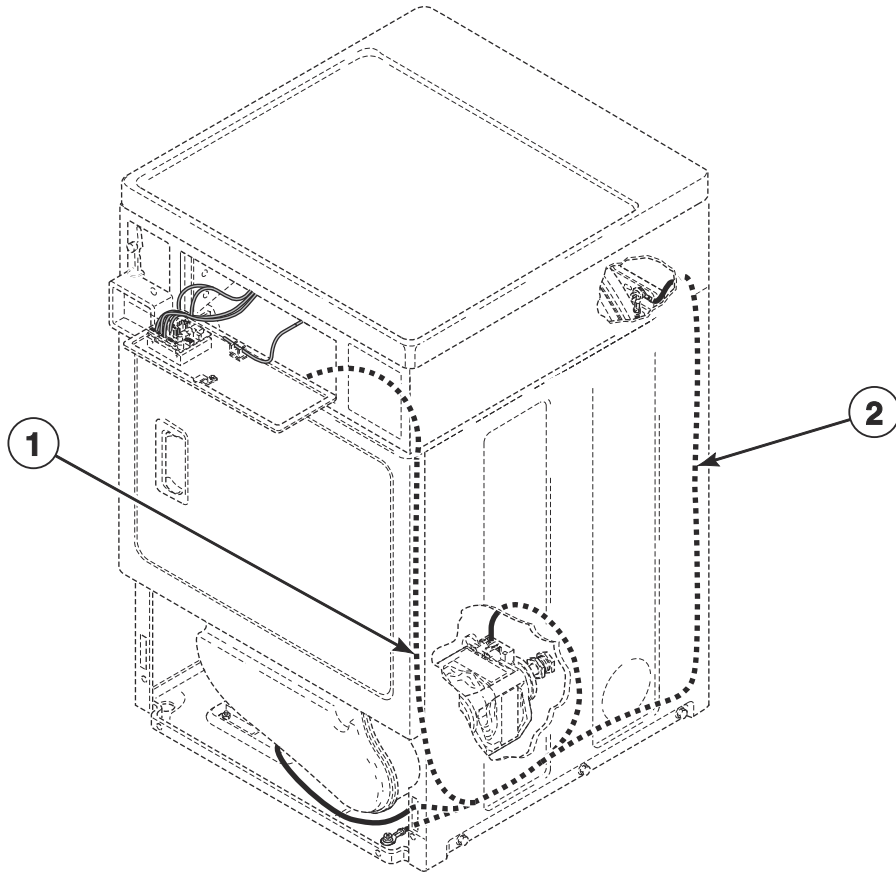
Wire Harnesses and Wires - Front Control Models (Drawing 1 of 2)

REF	PART NO.	DESCRIPTION	COMMENTS
	45001	18 Gauge Wire	Black; Order wire by foot; Order terminals and connectors as required
	45380	12 Gauge Wire	Orange; Order wire by foot; Order terminals and connectors as required
	D517236	Broken Belt Harness	
1	D512422P	Wire Harness Assembly	
2	D517479	Gas Harness	

NOTE: Individual wires are not available separately. Order complete harness, or order wire by the foot. When applying terminals to wires, it is recommended that the terminals be soldered to the wires.

Wire Harnesses and Wires - Front Control Models (Drawing 2 of 2)

Models SDENCAGS173TW01, SDENYAGS153TW01, SDENYAGS173TW01, SDEWCAGS173TW41, SDEWXAGS173TW01, SDEWYAGS153TW01, SDEWYAGS153TW41, SDEWYAGS173TW01 and SDEWYAGS173TW41



DRY2372P_D518057

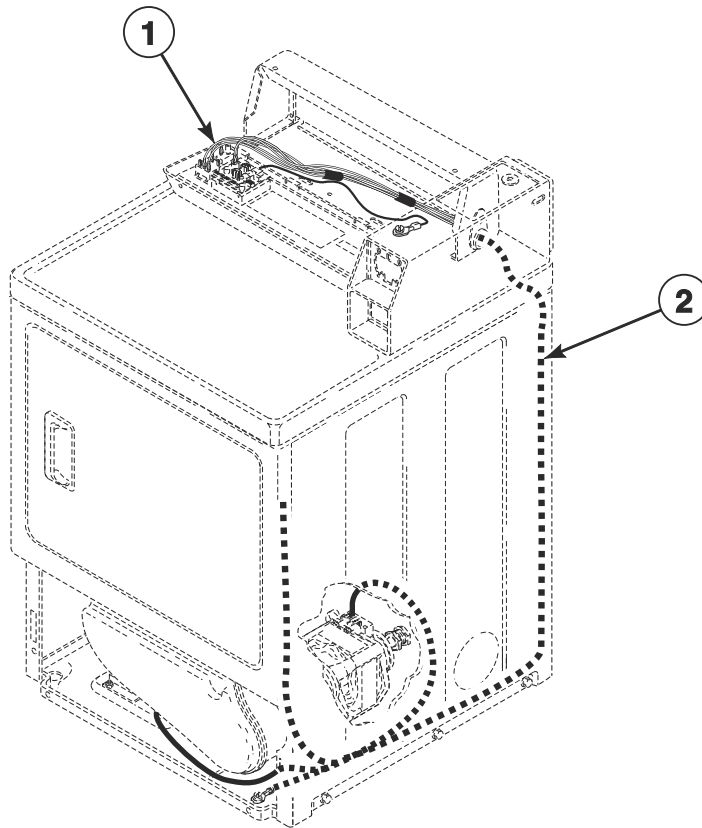
Wire Harnesses and Wires - Front Control Models (Drawing 2 of 2)

REF	PART NO.	DESCRIPTION	COMMENTS
	45001	18 Gauge Wire	Black; Order wire by foot; Order terminals and connectors as required
	45380	12 Gauge Wire	Orange; Order wire by foot; Order terminals and connectors as required
	D517236	Broken Belt Harness	
1	D512422P	Wire Harness Assembly	
2	D517478	Electric Harness	

NOTE: Individual wires are not available separately. Order complete harness, or order wire by the foot. When applying terminals to wires, it is recommended that the terminals be soldered to the wires.

Wire Harnesses and Wires - Rear Control Models

Models SDENCRGS153TW01, SDENCRGS173TW01, SDENXRG173TW01, SDENYRGS153TW01, SDEWCRGS173TW42, SDEWYRGS153TW01, SDEWYRGS153TW41, SDEWYRGS173TW01, SDEWYRGS173TW41, SDGNCRGS113TW01, SDGNXRG113TW01, SDGNYRGS113TW01, SDGWCRGS113TW42, SDGWXRG113TW02, SDGWYRGS113TW01 and SDGWYRGS113TW41



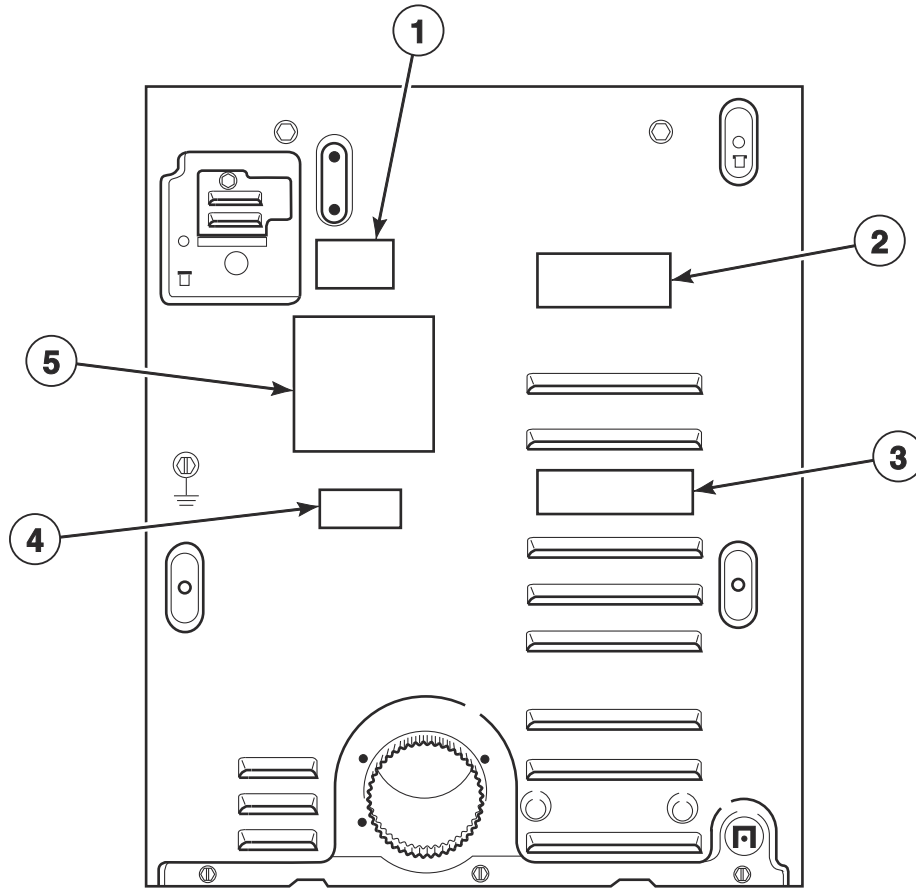
DRY2373P_D518057

Wire Harnesses and Wires - Rear Control Models

REF	PART NO.	DESCRIPTION	COMMENTS
	45001	18 Gauge Wire	Black; Order wire by foot; Order terminals and connectors as required
	45380	12 Gauge Wire	Orange; Order wire by foot; Order terminals and connectors as required
	D517236	Broken Belt Harness	
1	D512422P	Wire Harness Assembly	
2	D517475	Gas Harness	
	D517474	Electric Harness	

NOTE: Individual wires are not available separately. Order complete harness, or order wire by the foot. When applying terminals to wires, it is recommended that the terminals be soldered to the wires.

Label Location on Rear of Cabinet



DRY2374P_D518057

Label Location on Rear of Cabinet

REF	PART NO.	DESCRIPTION	COMMENTS
1	803260	Warning Label	
2	D502791	Venting Instruction Label	
3	D517312	Voltage Warning Label	208 Volt
	D505215	Gas Label	
4	D500497	Exhaust Warning Label	
5	D511005	Electric Clearance Label	English; Electric models
	D511004	Gas Clearance Label	Gas models
	D505984	Clearance Warning Label	English/French; Electric models

Parts Index

A

Access Panel Assembly	
D514250WP	33
Access Panel Plate	
D510903	51
Adhesive	
D511637P	37, 41
Air Duct Assembly	
D515805LG	37
Anti-Seize Compound	
27604P	35
Audit Switch Bracket	
800379	19

B

Blower Fan Assembly	
D510139P	35
Blower Housing	
D511969WP	35
Blower Housing Seal	
D510238P	35
Bolt	
203798	9
29651	21, 29
Booster and Holding Coil	
58804A	47
Bracket	
D510146	15
Broken Belt Harness	
D517236	61, 63, 65
Bumper Pad	
56128	51
Burner Assembly	
D510149P	47

C

Cabinet Rear Panel	
D517566	51
Cabinet Side Panel	
D510001WP	51
D510002WP	51
Card Insert Overlay	
D514391	27
Central Pay Harness	
D511478	5
Clearance Warning Label	
D505984	67
Clip	
201572	13, 25
Coin Box Extension Kit	
803578P	9
Coin Cabinet Hardware Kit	
547P3	51

Coin Drop	
38963P	11, 23
70441601P	11, 23
Coin Drop Assembly	
38462P	11, 23
38463	11, 23
Coin Drop Wire Harness	
201104	13, 25
Coin Identification Paper	
38725	13, 25
Combustion Duct	
D510131	45
Connector, 2 Circuit	
58799	57
Connector, 3 Circuit	
58800	55
Control Assembly	
D517522	5, 7, 19
Control Hood	
D502567W	5
D511253W	7
Control Overlay	
D514367	5
D514368	7
D514369	19
Control Panel	
D510067W	5
D510220W	7
D511055W	7
803962WP	21
Control Panel and Bracket Assembly	
D513777W	19
Cylinder Assembly	
D510265WP	37, 39
Cylinder Baffle	
D510102W	37, 39
Cylinder Belt	
D511255P	35
Cylinder Glide	
D513710	37
Cylinder Glide Bracket	
D510145	37
Cylinder Roller	
D510708P	41
Cylinder Roller Bracket	
D510100	41
Cylinder Seal Assembly	
D510207P	37, 41

D

Damper	
58786	51
Directional Exhaust Kit	
528P3	51
Disconnect Power Warning Label	
D505281	15
Door Catch Assembly	
D510177	33

N/A items do not appear in index.

Door Handle Wedge D510129W	31
Door Liner Assembly D516508	31
Door Liner Grill D503870W	31
Door Pull and Wedge Kit D510103WP	31
Door Strike D510181	31
Dryer Base D514245	51
Dryer Door D510013WP	31
Dual Coin Harness Assembly 202871	5

E

Electric Clearance Label D511005	67
Electric Harness D517474	65
D517478	63
Electronic Coin Drop Kit CK113	13, 25
CK115	13, 25
End Cap 210108W	7
210109W	7
Ethernet Gateway Kit NK320	5, 7, 17
Exhaust Duct D516196	51
Exhaust Warning Label D500497	67
Expansion Clip 70030501	21, 27
Extractor Tool 128P4	59
190P4	59

F

Felt Pad D510189	37
Female Piggyback Terminal 00361	57
Female Pin Terminal 00117	55
00128	55
00130	55
Female Spade Terminal 00114	57
00115	57
00121	57
00124	57
00189	57
00222	57
00223	57
Female Tab Terminal 00344	57

Female Terminal 00188	59
00255	59
00256	59
Flexible Venting Kit 521P3	51
Frame Gusset D510337	51
Front Bulkhead Assembly D510266P	37
Front Panel D510066WP	33
Front Panel Seal D511056	33
Fuse Notice Label 61294	37

G

Gas Clearance Label D511004	37, 67
Gas Harness D517475	65
D517479	61
Gas Label D505215	67
Gas Valve Mounting Bracket D510128	47
Gas Valve, Bracker and Pipe Assembly D517606	47
Glide Kit RB170003	37
Grounding Clip 00161	57

H

Harness 804832	5, 7
Harness Assembly 802905	13
Harness Strap 55881	55
Heat Duct Shroud D510101	45
Heater D510325P	43
Heater Assembly D510329P	43
Heater Duct Assembly D510025P	43, 45
Heater Kit 964P3	43
Heater Kit Assembly 61928	43
Hinge D511036	31
Hinge Hole Plug D510186	33
Hold Down Kit 526P3	51

N/A items do not appear in index.

Hood Back Panel 804886	5
Housing, 10 Position D500338	59

I

Idler Lever D516310	35
Idler Lever and Wheel Assembly D516792	35
Idler Spring D510185	35
Idler Wheel and Bearing Assembly D510142P	35
Igniter and Bracket Assembly D510184P	47
Insulated Female Flag Terminal 00221	57
Insulated Female Spade Terminal 00359	57
00360	55

K

Key 54612	19
--------------------	----

L

Lead-In Cord 202777	53
Leveling Leg D510135	51
Limit Thermostat D510701	43
D510702	45
Lint Filter D503980LG.....	37
Lock Cam 804338	19
Lock Kit 27260P.....	19
L.P. Conversion Kit 458P3.....	47
L.P. Orifice D503786	49
58755	49

M

Machine ID Control Assembly 203361P.....	5, 7, 19
Male Pin Terminal 00116	55
00127	55
00129	55
Male Tab Terminal 00139	57

Meter Case Assembly 202877W	9
807396W	21
Meter Case Assembly Kit 807401W	9
Meter Case Bracket Gasket 35526	9
Meter Case Gasket 26354	9
Meter Case Lockdown Bracket 35525	9
Motor and Pulley Assembly D511629P.....	35
Motor Hub Ring Kit 590P3	35
Motor Mount D510060.....	35
Motor Mount Clamp D510180.....	35
Motor Pulley D500011	35
Motor Switch Bracket D516311	35
Mounting Tool Kit CK096	13, 25

N

Network Controller Kit NK220	5, 7, 17
Network Retrofit Kit 203328	5, 7, 17
Nut 201216	13
27222	15
28447	41
29786	9, 11, 23, 25
36020	29
44087201	21
44087301	35, 41
52566	5, 35
N.G. Conversion Kit 459P3	47
N.G. Orifice D503776	49
D503778	49
D503779	49
D503780	49
D510517	49

O

Operating Instructions Label D514393	21
D517764	27
Opto Coupler 200674P	11
Outlet Cover D500820	43, 45
D515573	43, 45
Output Control Assembly D517191	51

N/A items do not appear in index.

P

Panel Locator	
56079	33, 51
Plug	
23040	55
54522	55
Plug, 1 Circuit	
26302	57
Plug, 2 Circuit	
56266	55
56448	55
Plug, 9 Circuit	
23033	57

R

Ratchet Extension Tool	
310P4	59
Rear Access Panel	
807646	21, 27
Rear Bulkhead Assembly	
D511082P	41
Rear Panel	
804884	7
Receptacle Housing	
90789	57
Receptacle, 1 Circuit	
26301	57
Receptacle, 10 Circuit	
34596	57
Receptacle, 12 Circuit	
D501333	57
56855	55
Receptacle, 2 Circuit	
56451	55
Receptacle, 3 Circuit	
23039	55
Receptacle, 6 Circuit	
26708	57
Retaining Ring	
23748	35, 41
Ring Terminal	
00110	57
Roller Kit	
RB170002	41
Rubber Foot	
D501855	51

S

Screw	
D500824	35
D501086	7
D501285	37, 41
D501524	19
D502535	35
D503673	15
D503688	5, 7, 15, 17, 19, 21, 27, 33, 35, 41, 43, 47, 51
D505295	31, 37

D514428	51
02916	5
20530	53
23008	29
23222	43, 47
28448	41
31260	35
33562	33
35528	5, 7
36048	9
39733	33, 51
51782	45, 47
52864	5, 7, 37
56124	47
61199	41
62588	37, 39
62853	33
70240301	21, 27
804608	5, 7, 19
804667	51

Screw Orifice	
58719	49
Seal Kit	
RB170001	37, 41
Secondary Coil	
58804B	47
Security Cabinet Assembly	
804149WP	27
Security Kit	
905P3	5
Sensor	
D510213	47
Service Door Assembly	
39874WP	9
Shaft	
56461P	35, 41
Single Coin Harness Assembly	
202870	5, 23, 25
Single Overlay	
38717	9, 21
Spade Terminal	
00245	57
Speed Clip	
28835	33
Strain Relief	
D517490	53
Switch	
D512973	19, 33
D516391	35
70529301	9

T

Terminal	
00252	57
Terminal Block Assembly	
D510190P	41
Terminal Extractor Tool	
283P4	59
Thermal Fuse Assembly	
D511412	43
Thermistor Assembly	
D510523	35

N/A items do not appear in index.

Top Hinge			
D510136	51	Wireless Network Harness	
Top Kit		F8674006	7, 19
D511527WP	15	Wireless Network Kit	
Top Mounting Bracket		204689	5, 7, 19
D504228	29	Wire, 12 Gauge	
Top Panel		45380	61, 63, 65
803868WP	29	Wire, 18 Gauge	
Top Panel Kit		45001	61, 63, 65
D511530WP	15	Wiring Harness Assembly	
Torx Bit		202868	19
281P4	59	202869	7
282P4	59	Wrapper Assembly	
292P4	59	804104W	21
Torx Drive Tool		804112W	27
93501	59		
Transformer			
202757	25		
204379	5, 7, 17		
Transformer Harness			
D514072	17		
D514073	5, 7		
804795	17		

U

USB Gateway Kit	
NK330	5, 7, 17
USB IR Interface Kit	
203346	5, 7, 17

V

Venting Instruction Label	
D502791	67
Voltage Warning Label	
D517312	67

W

Warning Label	
D500049	37
803260	67
Warning/Caution Label	
D500281	33
Washer	
D504082	41
M400017	5
28449	41
52549	35, 41
Wire Assembly	
D510527	43
D510528	43
Wire Clip	
D504034	55
687500	55
Wire Guard	
201595P	11, 23
Wire Harness Assembly	
D512422P	61, 63, 65

N/A items do not appear in index.

