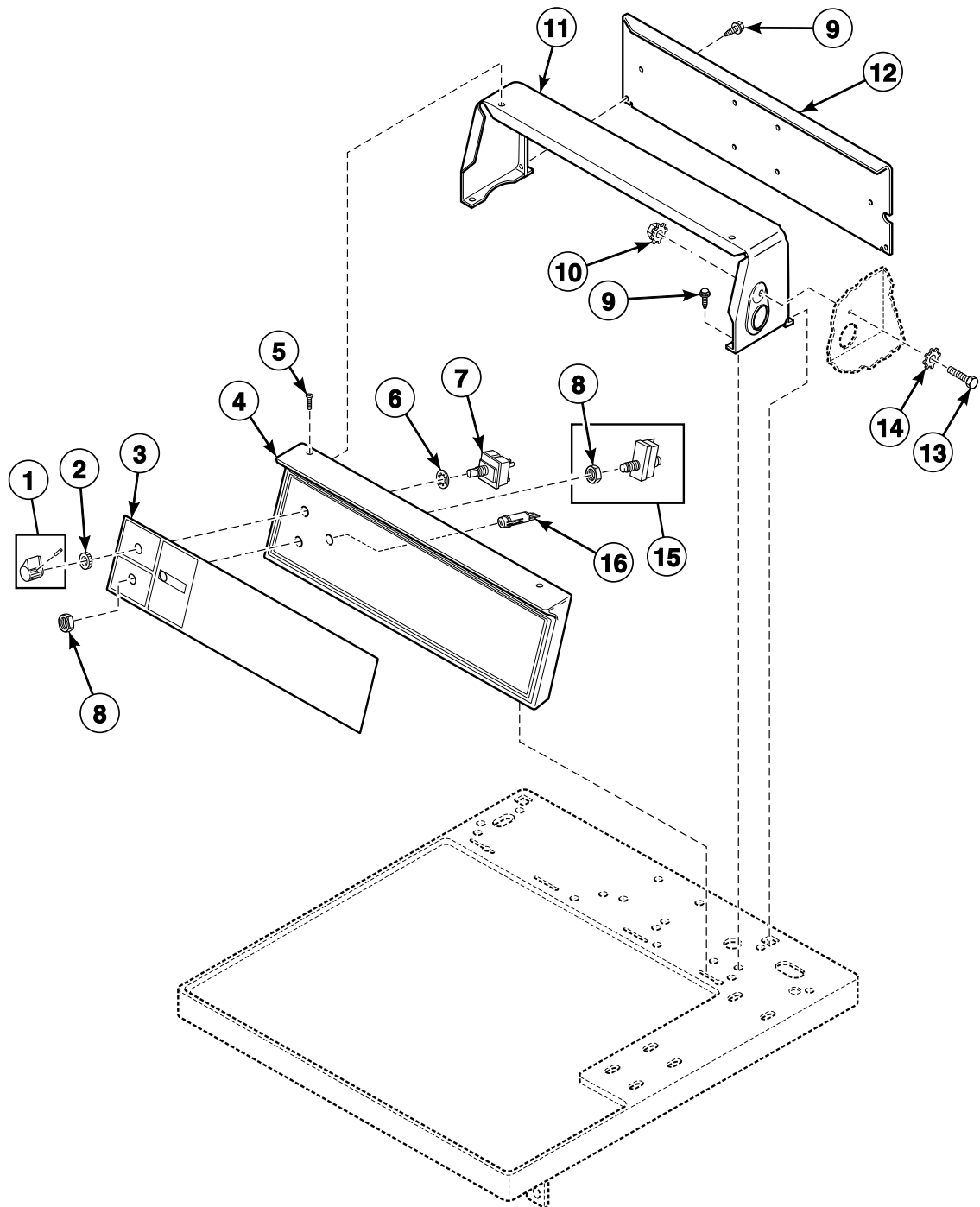




Registered Trademark of Alliance Laundry Systems, LLC  
© 2022 All Rights Reserved

Manual: **D518111** Product: **Dryer** Model: **SDGSXRG113TW01** Date: **12/2/2022 9:50 AM**  
**Models Starting Serial No. 2001000001**

## Control Panel and Control Hood - Coin Slide Rear Control Models



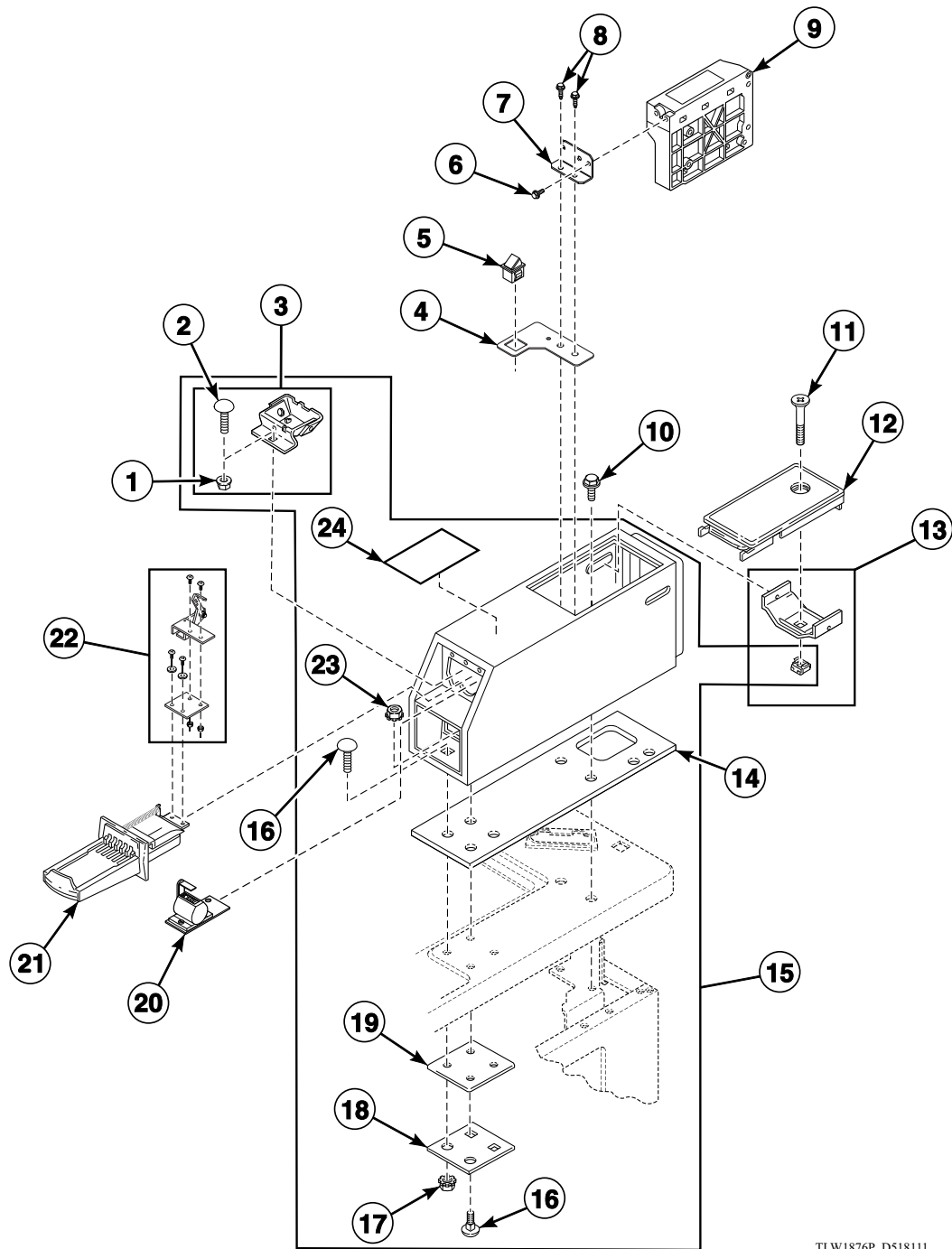
DRY2504P\_D518111

Ref	Part	Description	Comments
1	39897	Switch Knob	
2	24205	Nut	
3	D515551	NOT ON YOUR MODEL	
	D515525	Control Panel Overlay	
4	D501738W	Control Panel and Bracket Assembly	White

<b>Ref</b>	<b>Part</b>	<b>Description</b>	<b>Comments</b>
	D501738Q	Control Panel and Bracket Assembly	Bisque
<b>5</b>	52864	Screw	
	35528	Screw	Optional for added security
<b>6</b>	91176	Washer	
<b>7</b>	D511711	Temperature Selector Switch	
<b>8</b>	52947	Nut	
<b>9</b>	D505295	Screw	
<b>10</b>	29786	Nut	White
<b>11</b>	D502567W	Control Hood	White
	D502567Q	Control Hood	Bisque
<b>12</b>	804886	Hood Back Panel	
<b>13</b>	02916	Screw	
<b>14</b>	M400017	Washer	
<b>15</b>	55882	Switch Assembly	Includes item 8
<b>16</b>	801431	Light	

# Coin Slide Extension, Meter Case and Control

Coin Slide Models

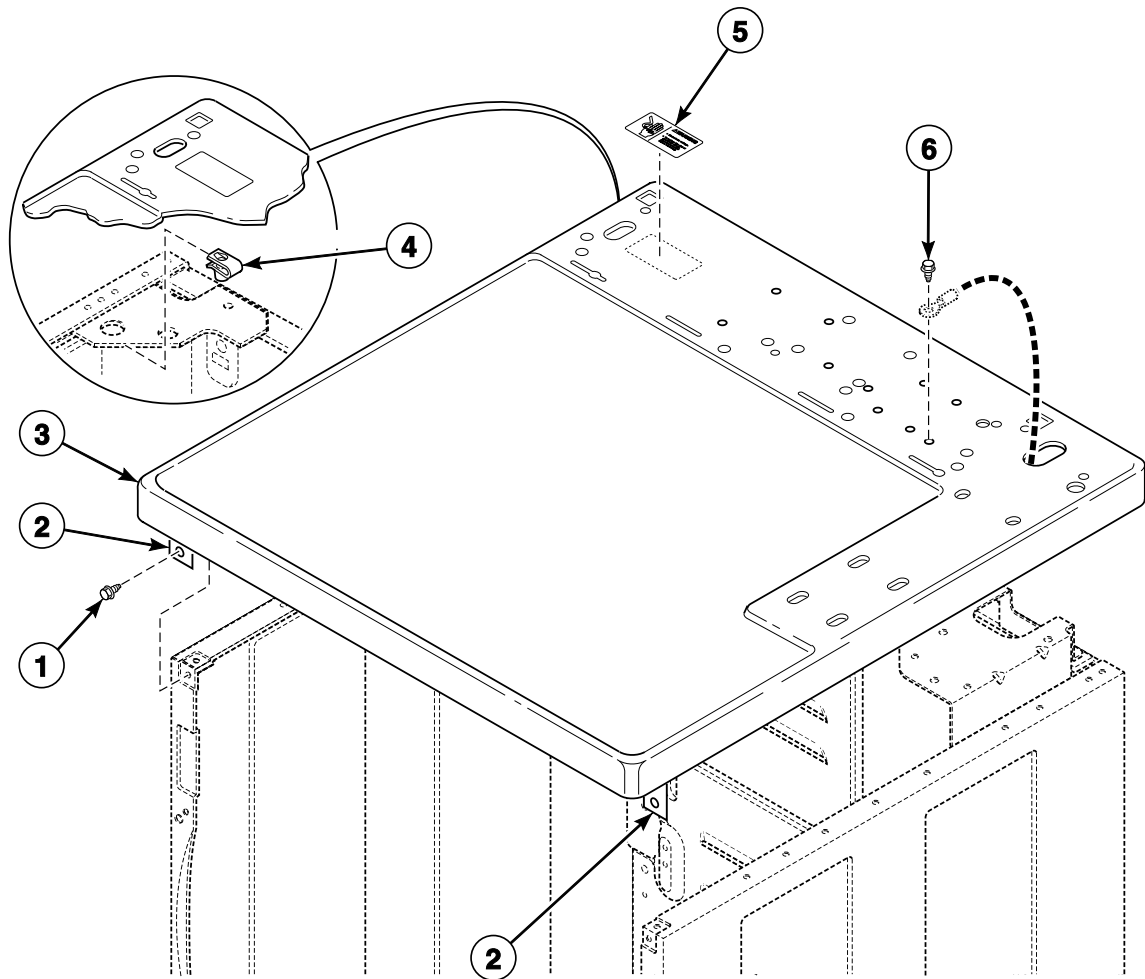


TLW1876P\_D518111

Ref	Part	Description	Comments
1	29796	Nut	
2	29651	Bolt	
3	523P3	Coin Funnel Kit	
4	803662	Bracket	

<b>Ref</b>	<b>Part</b>	<b>Description</b>	<b>Comments</b>
<b>5</b>	431159	Switch	
<b>6</b>	D501524	Screw	
<b>7</b>	201581	Chassis Mounting Bracket	
<b>8</b>	D503688	Screw	
<b>9</b>	D517526	Control Assembly	
<b>10</b>	36048	Screw	
<b>11</b>	D503673	Screw	
<b>12</b>	39874WP	Service Door Assembly	White
<b>13</b>	204616	Meter Case Locking Bracket Kit	
<b>14</b>	26354	Meter Case Gasket	
<b>15</b>	803575WP	Meter Case Assembly Kit	White; Includes items 3, 13, 14, 16-19 and 23
<b>16</b>	203798	Bolt	
<b>17</b>	29786	Nut	
<b>18</b>	35525	Meter Case Lockdown Bracket	
<b>19</b>	35526	Meter Case Bracket Gasket	
<b>20</b>	201280P	Mechanical Counter Kit Assembly	
<b>21</b>	CK001	Coin Slide Kit	U.S.A.
	CK009	Coin Slide Kit	STD-118-1 Token
	CK010P	Coin Slide Kit	STD-118-5 Token
	CK011	Coin Slide Kit	STD-118-10 Token
	CK014	Coin Slide Kit	U.S.A.
	CK017	Coin Slide Kit	Chilly Willy
	CK027	Slide	Tokette
<b>22</b>	200913	Coin Slide Extension Kit	Includes spring and items 4 and 5
	804794	Spring	
<b>23</b>	802337	Nut	
<b>24</b>	D500628	Instruction Label	

## Cabinet Top - Rear Control Models

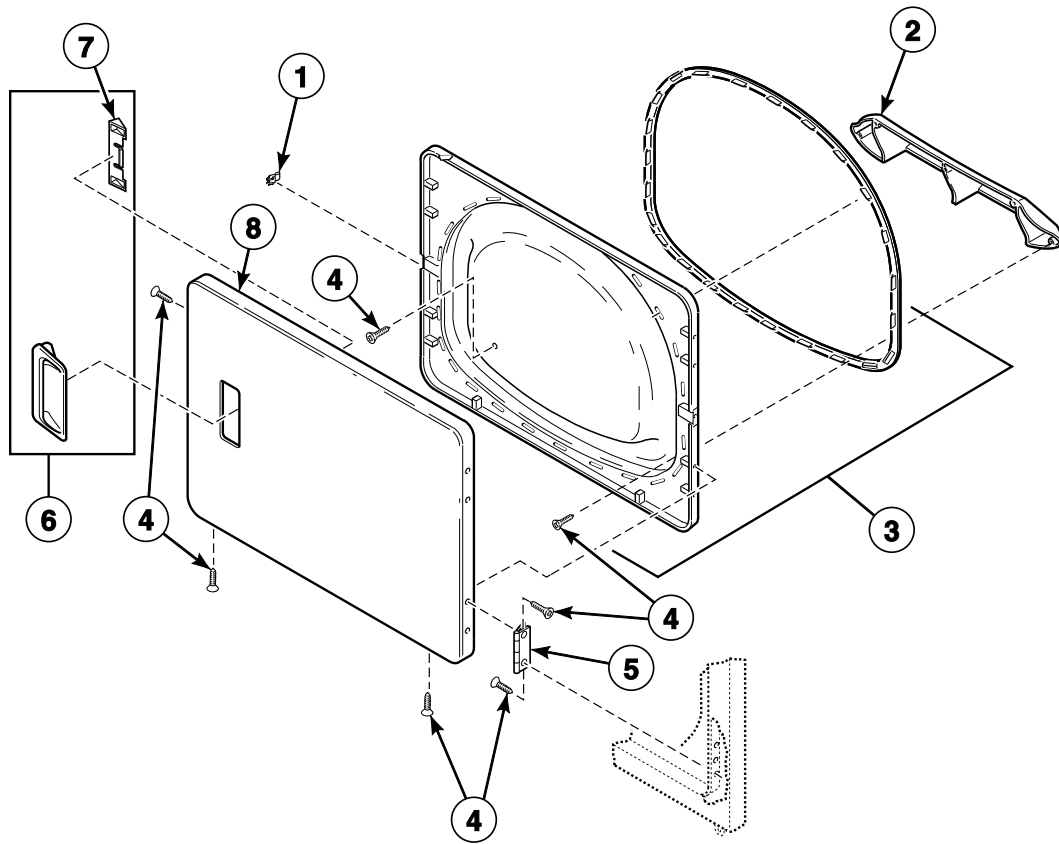


DRY2181P\_D518111

Ref	Part	Description	Comments
1	D503688	Screw	
2	D510146	Bracket	
3	D511530WP	NOT ON YOUR MODEL	
	D511527WP	Top Kit	White
4	27222	Nut	

<b>Ref</b>	<b>Part</b>	<b>Description</b>	<b>Comments</b>
<b>5</b>	D500316	Warning Label	English/French
	D505281	Disconnect Power Warning Label	English
<b>6</b>	D503688	Screw	

## Loading Door Without Window



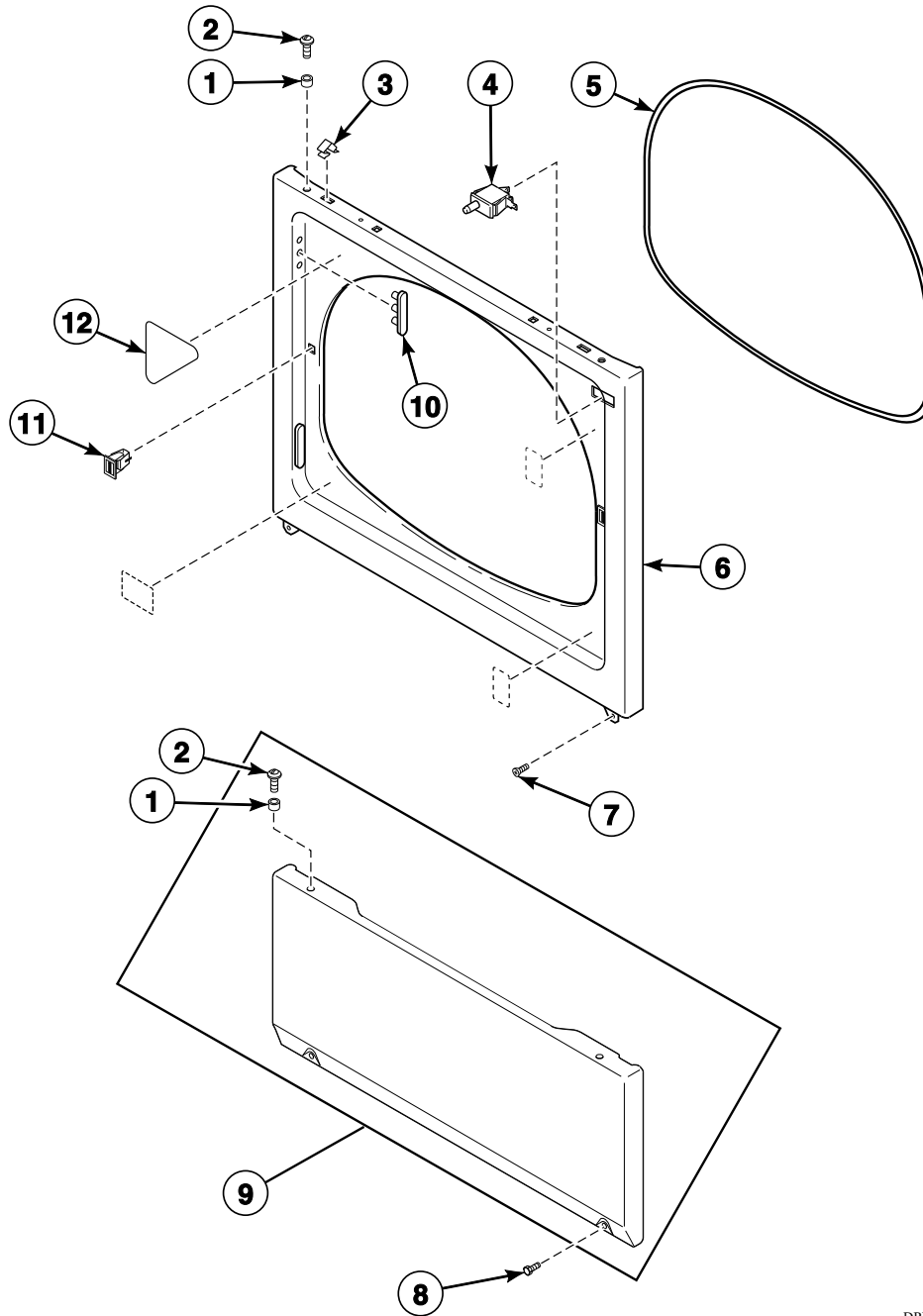
DRY2500P\_D518111

Ref	Part	Description	Comments
1	D510181	Door Strike	
2	D503870W	Door Liner Grill	White
	D503870LG	Door Liner Grill	Light gray
3	D516508	Door Liner Assembly	Includes door seal
4	D500226	Screw	



<b>Ref</b>	<b>Part</b>	<b>Description</b>	<b>Comments</b>
<b>5</b>	D511036	Hinge	
<b>6</b>	D510103WP	Door Pull and Wedge Kit	White; Includes item 7
	D512947	Door Pull	Gray; Includes item 7
	D510103QP	Door Pull and Wedge Kit	Bisque; Includes item 7
	D511213P	Door Pull and Wedge Kit	Black; Includes item 7
<b>7</b>	D510129W	Door Handle Wedge	
<b>8</b>	D515960W	Dryer Door	White
	D518748	NOT ON YOUR MODEL	

## Access Panel, Front Panel and Seal

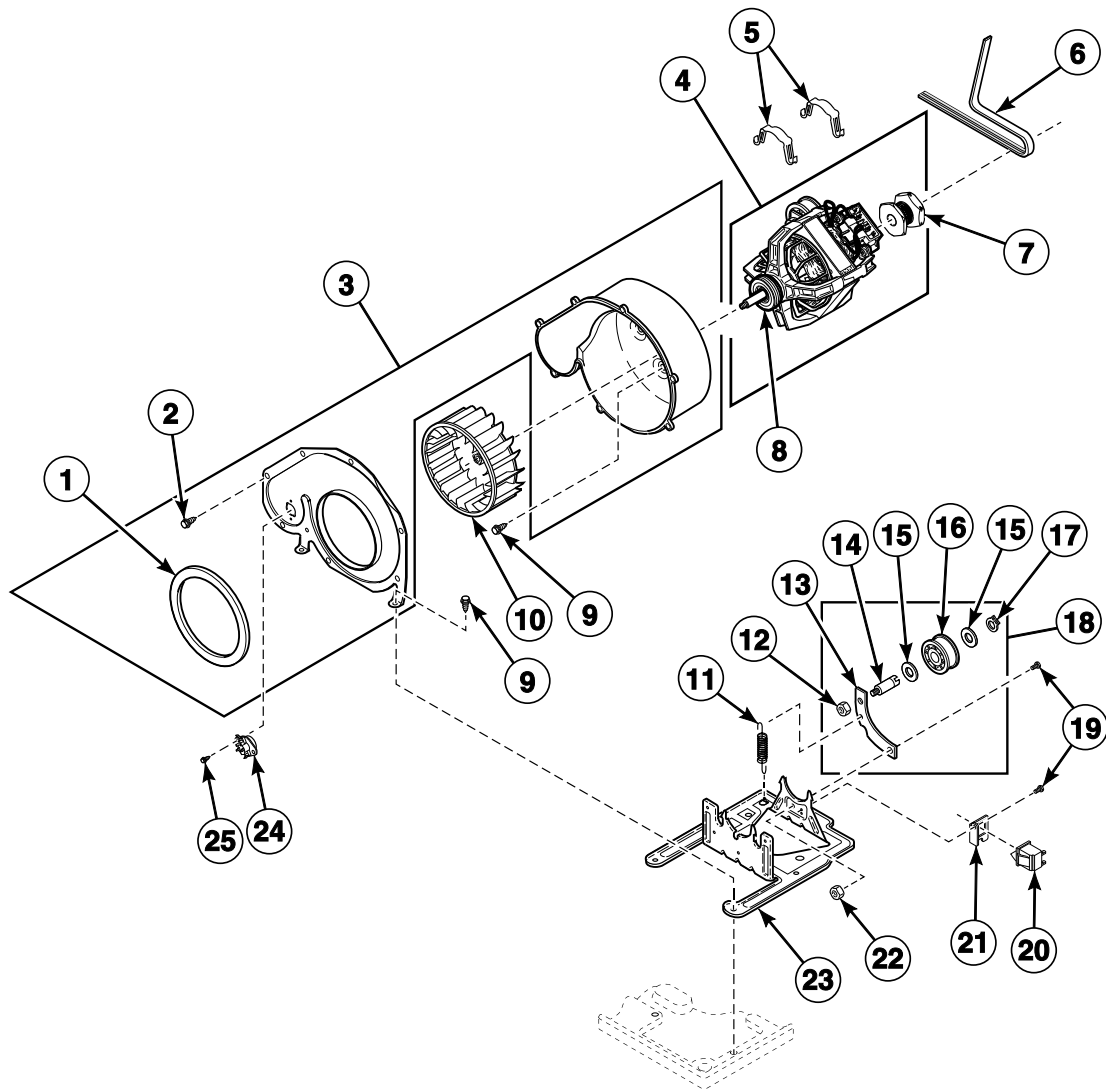


DRY1776P\_D518111

Ref	Part	Description	Comments
1	56079	Panel Locator	
2	39733	Screw	
3	28835	Speed Clip	
4	D512973	Switch	
5	D511056	Front Panel Seal	
6	D510066QP	Front Panel	Bisque

<b>Ref</b>	<b>Part</b>	<b>Description</b>	<b>Comments</b>
	D510066DG	Front Panel	Gray
	D510066WP	Front Panel	White
	D512542	Front Panel	Stainless steel
<b>7</b>	M405188	Screw	Use with stainless steel side panels
	D503688	Screw	Use with painted side panels
<b>8</b>	33562	Screw	
	62853	Screw	Optional for added security
<b>9</b>	D514250Q	Access Panel Assembly	Bisque
	D514250DG	Access Panel Assembly	Gray
	D514250WP	Access Panel Assembly	White
	D514251	Access Panel Assembly	Stainless steel
<b>10</b>	D510186	Hinge Hole Plug	
<b>11</b>	D510177	Door Catch Assembly	
<b>12</b>	D500281	Warning/Caution Label	English

## Motor, Exhaust Fan and Belt

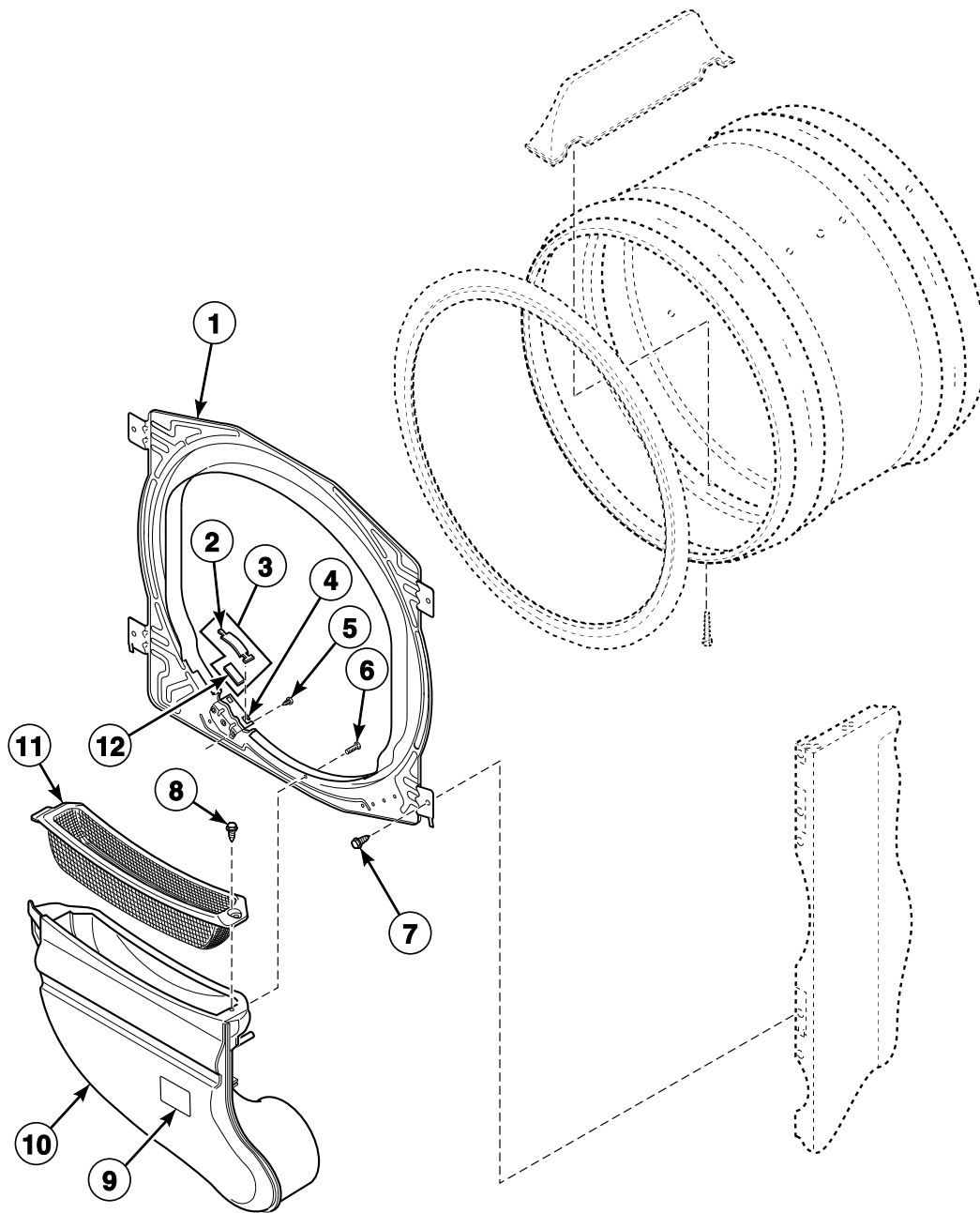


DRY2523P\_D518111

Ref	Part	Description	Comments
	27604P	Anti-Seize Compound	Apply to motor shaft when installing blower fan assembly
1	D510238P	Blower Housing Seal	
2	31260	Screw	
3	D511969WP	Blower Housing	Includes items 1 and 2; White
4	D511629P	Motor and Pulley Assembly	120 Volt/60 Hertz; Apply anti-seize compound to motor shaft when installing blower fan assembly; Includes items 7 and 8

<b>Ref</b>	<b>Part</b>	<b>Description</b>	<b>Comments</b>
<b>5</b>	D510180	Motor Mount Clamp	
<b>6</b>	D511255P	Cylinder Belt	
<b>7</b>	D500011	Motor Pulley	
<b>8</b>	590P3	Motor Hub Ring Kit	
<b>9</b>	D503688	Screw	
<b>10</b>	D510139P	Blower Fan Assembly	Apply anti-seize compound to motor shaft when installing blower fan assembly
<b>11</b>	D510185	Idler Spring	
<b>12</b>	44087301	Nut	
<b>13</b>	D516310	Idler Lever	
<b>14</b>	56461P	Shaft	
<b>15</b>	52549	Washer	
<b>16</b>	D510142P	Idler Wheel and Bearing Assembly	
<b>17</b>	23748	Retaining Ring	
<b>18</b>	D516792	Idler Lever and Wheel Assembly	Includes items 12-17
<b>19</b>	D500824	Screw	
<b>20</b>	D516391	Switch	
<b>21</b>	D516311	Motor Switch Bracket	
<b>22</b>	52566	Nut	
<b>23</b>	D518517	Motor Mount	
<b>24</b>	D510523	Thermistor Assembly	Black
<b>25</b>	D502535	Screw	

## Front Bulkhead, Air Duct and Felt Seal

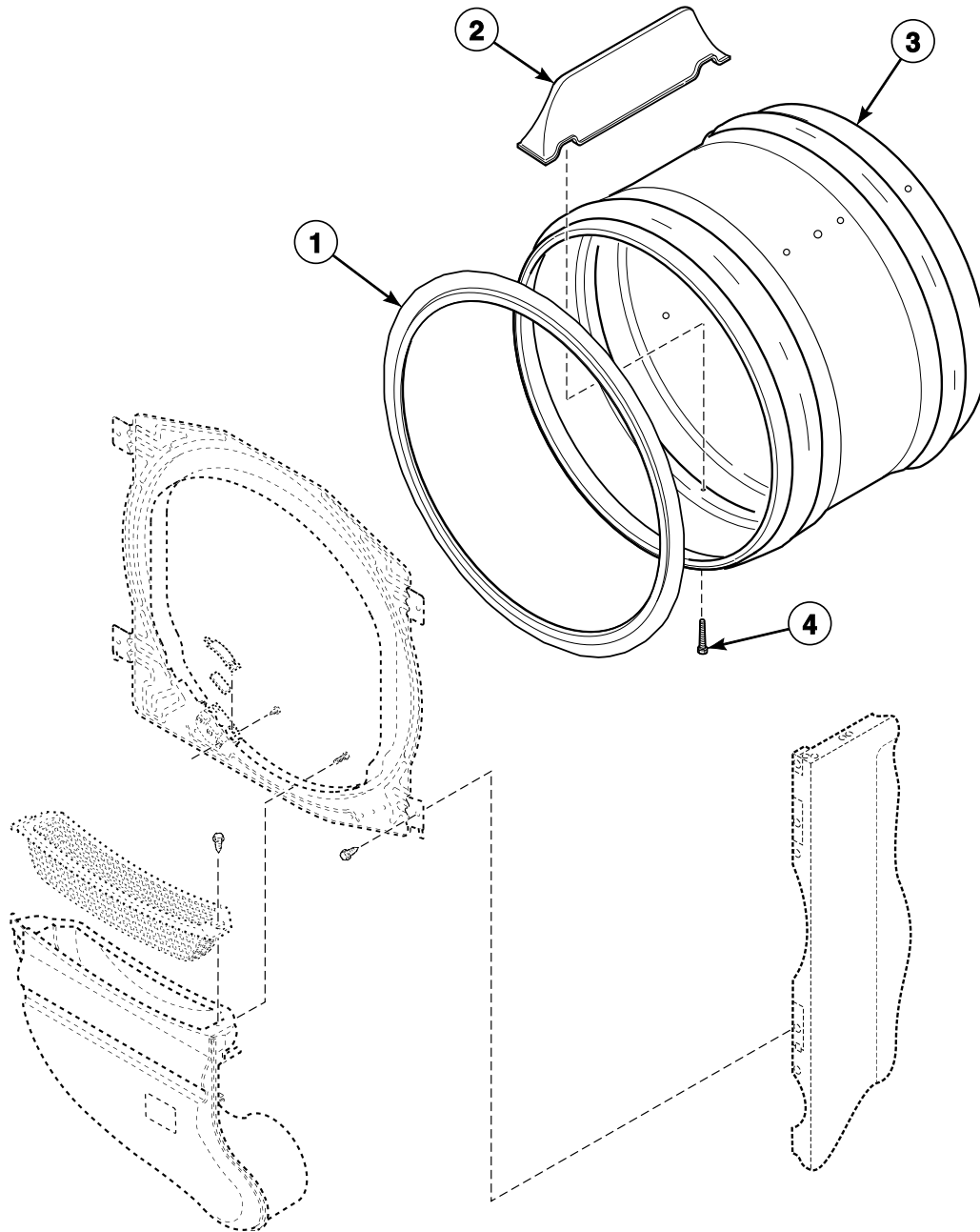


DRY1910P\_D518111

Ref	Part	Description	Comments
1	D510266P	Front Bulkhead Assembly	Unpainted; Includes D510207P Cylinder Seal Assembly and items 2-5 and 12
2	D513710	Cylinder Glide	
3	RB170003	Glide Kit	Includes items 2 and 12; Quantity: 2 of each item
4	D510145	Cylinder Glide Bracket	
5	52864	Screw	

<b>Ref</b>	<b>Part</b>	<b>Description</b>	<b>Comments</b>
<b>6</b>	D500226	Screw	
<b>7</b>	D503688	Screw	
<b>8</b>	D501285	Screw	
<b>9</b>	F8211201	Electrical Shock Label	Icon
	F8615701	Pinch Warning Label	Icon
	D500314	Warning Label	English
<b>10</b>	D518433	Air Duct Assembly	
<b>11</b>	D503980DG	NOT ON YOUR MODEL	
	D503980W	Lint Filter	White
<b>12</b>	D510189	Felt Pad	

## Cylinder Assembly



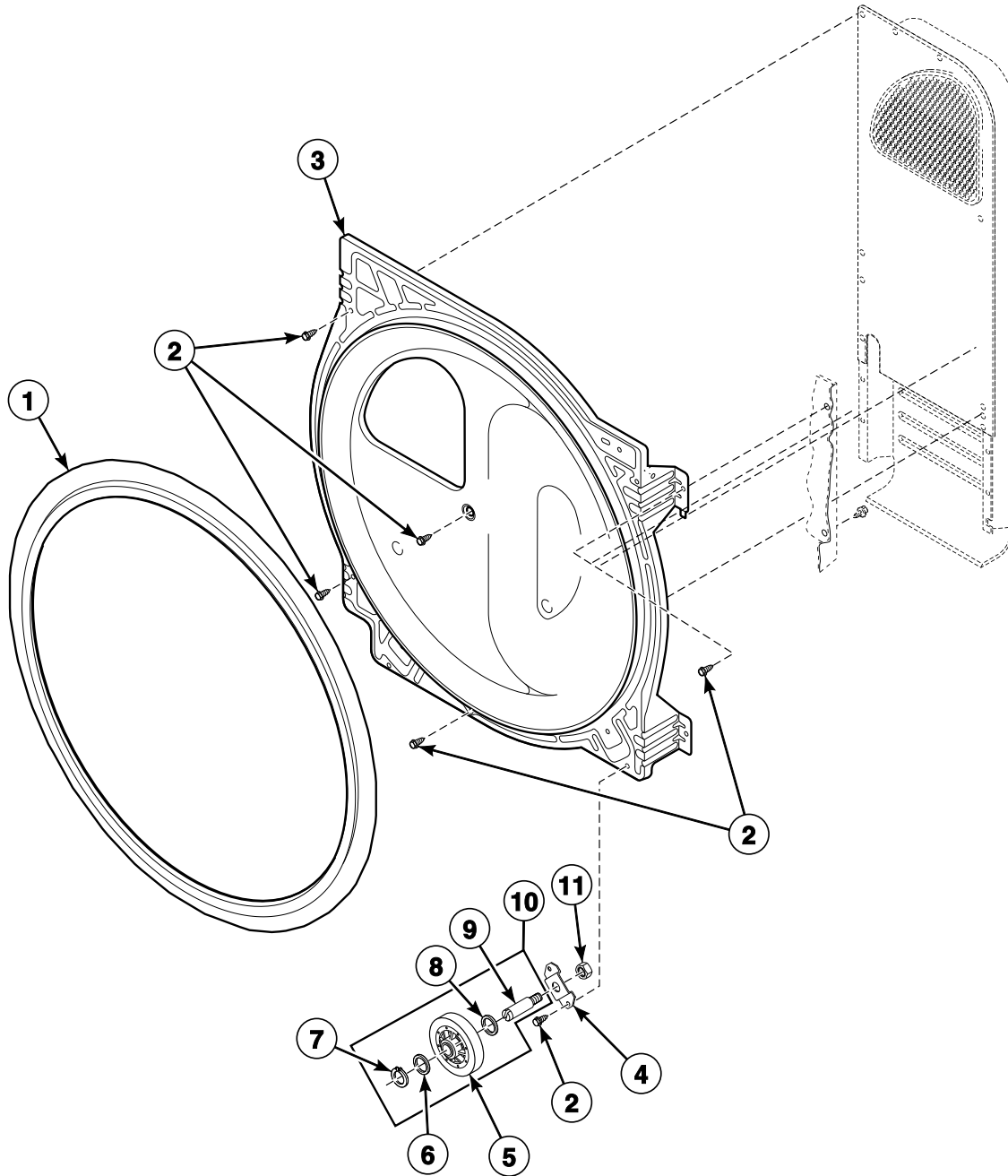
DRY1910PA\_D518111

Ref	Part	Description	Comments
1	D510207P	Cylinder Seal Assembly	Apply adhesive when installing
	D511637P	Adhesive	Apply to cylinder seal
	RB170001	Seal Kit	Includes 2 cylinder seals, blower housing seal and adhesive
2	D510102DG	NOT ON YOUR MODEL	
	D510102W	Cylinder Baffle	White



<b>Ref</b>	<b>Part</b>	<b>Description</b>	<b>Comments</b>
<b>3</b>	D510265LGP	NOT ON YOUR MODEL	
	D510265WP	Cylinder Assembly	Galvanized; Includes item 2
<b>4</b>	62588	Screw	

## Rear Bulkhead, Felt Seal and Cylinder Roller



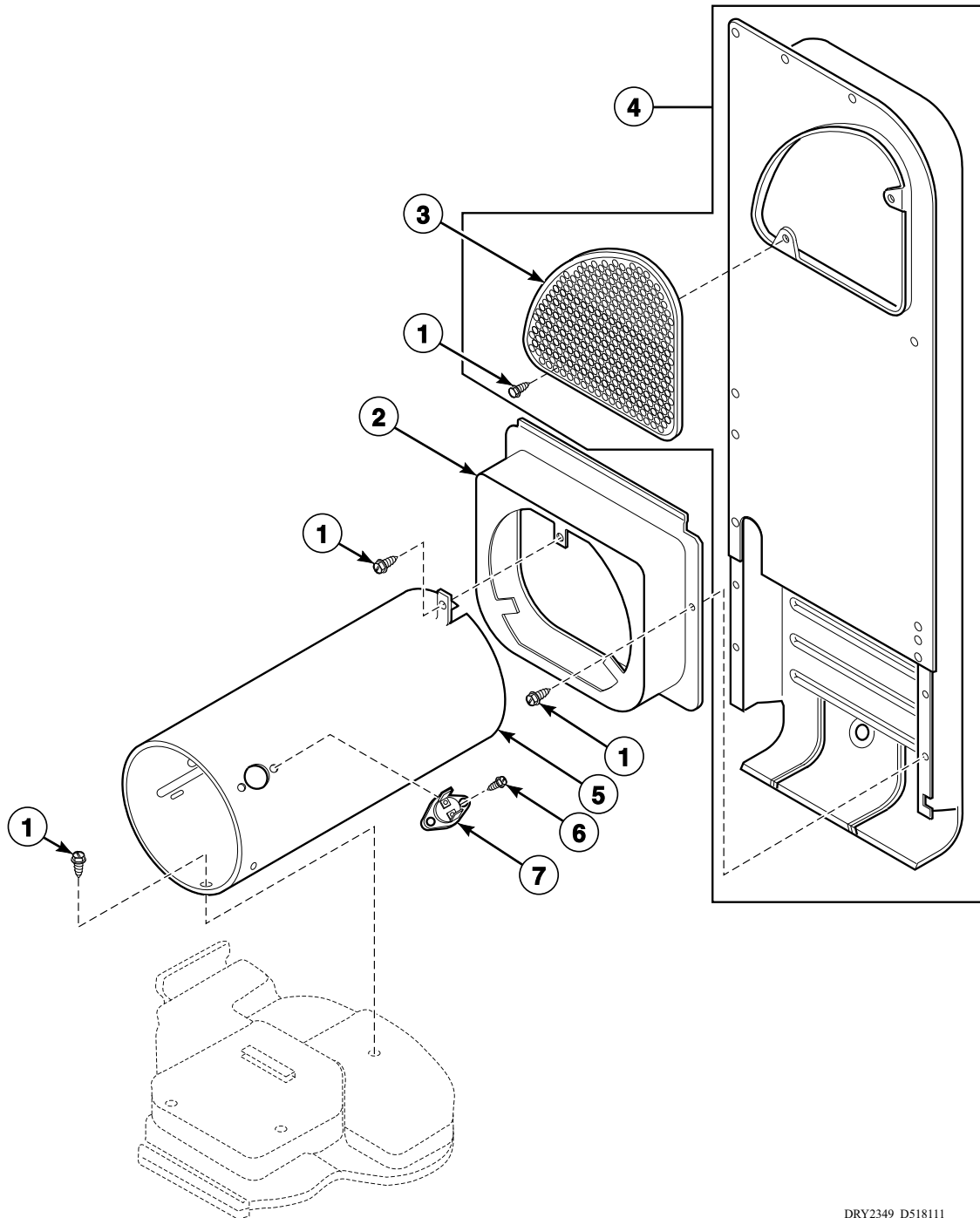
DRY2138P\_D518111

Ref	Part	Description	Comments
1	D510207P	Cylinder Seal Assembly	Apply adhesive when installing
	D511637P	Adhesive	Apply to cylinder seal
	RB170001	Seal Kit	Includes 2 cylinder seals, D510238P Blower Housing Seal and Adhesive
2	D503688	Screw	
3	D518128	NOT ON YOUR MODEL	
	D511082P	Rear Bulkhead Assembly	Galvanized; Includes item 1

<b>Ref</b>	<b>Part</b>	<b>Description</b>	<b>Comments</b>
<b>4</b>	D510100	Cylinder Roller Bracket	
<b>5</b>	D510708P	Cylinder Roller	
<b>6</b>	52549	Washer	
<b>7</b>	23748	Retaining Ring	
<b>8</b>	D504082	Washer	
<b>9</b>	56461P	Shaft	
<b>10</b>	RB170002	Roller Kit	Includes items 5-9
<b>11</b>	44087301	Nut	

# Heater Duct Assembly

Gas Models



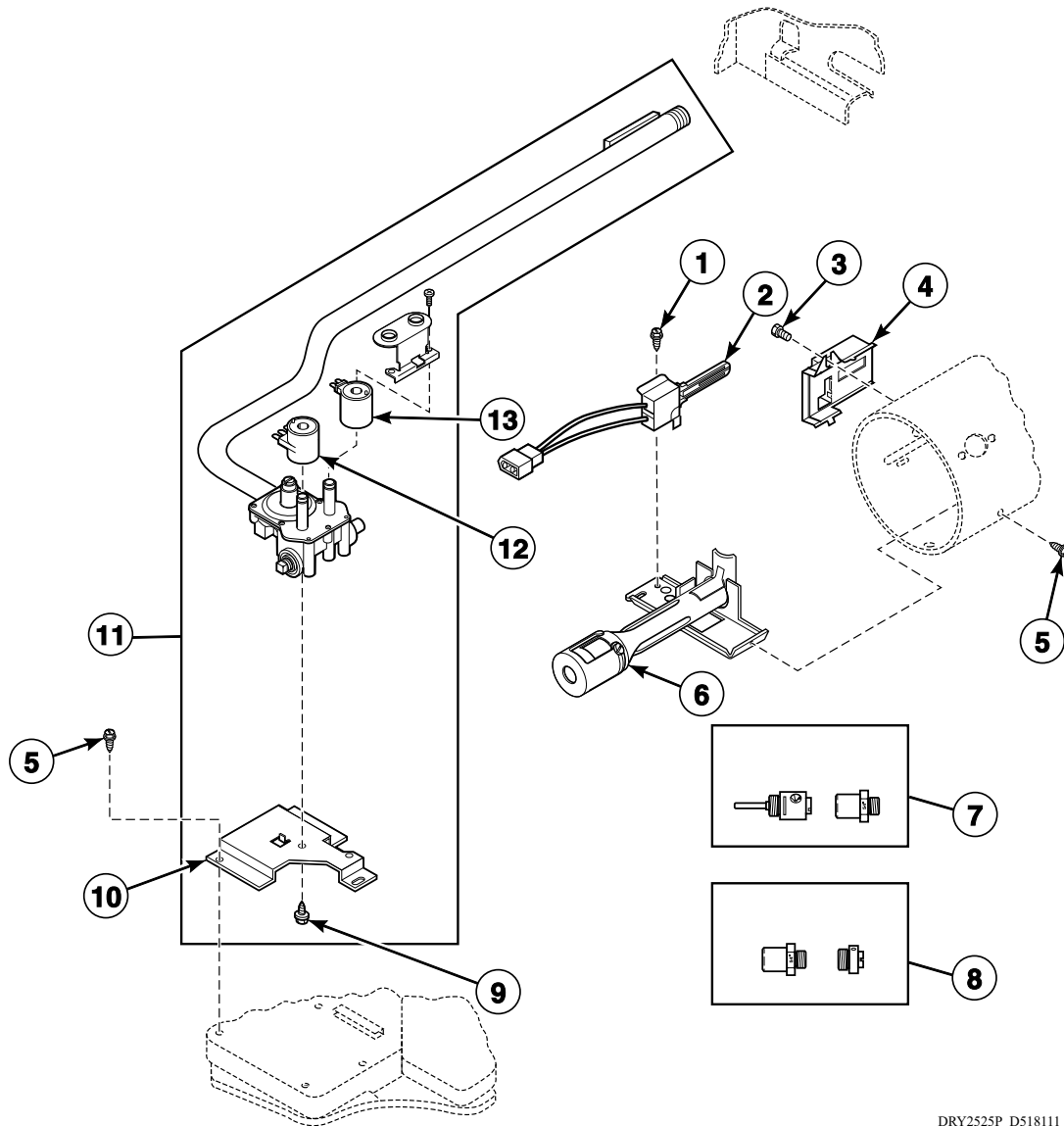
DRY2349\_D518111

Ref	Part	Description	Comments
1	D503688	Screw	
2	D510101	Heat Duct Shroud	
3	D500820	Outlet Cover	
	D515573	Outlet Cover	Black
4	D510025P	Heater Duct Assembly	Includes items 1 and 3

<b>Ref</b>	<b>Part</b>	<b>Description</b>	<b>Comments</b>
<b>5</b>	D510131	Combustion Duct	
<b>6</b>	51782	Screw	
<b>7</b>	D510702	Limit Thermostat	Black; Auto reset

# Gas Valve, Igniter and Gas Conversion Kits

Gas Models



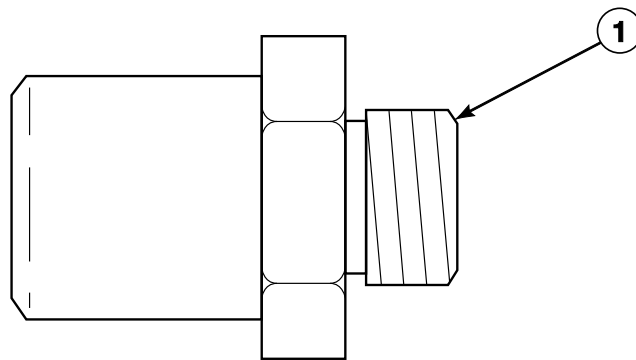
DRY2525P\_D518111

Ref	Part	Description	Comments
1	51782	Screw	
2	D510184P	Igniter and Bracket Assembly	
3	23222	Screw	
4	D510213	Sensor	
5	D503688	Screw	

<b>Ref</b>	<b>Part</b>	<b>Description</b>	<b>Comments</b>
<b>6</b>	D510149P	Burner Assembly	
<b>7</b>	458P3	L.P. Conversion Kit	Used to convert dryers from Natural Gas (N.G.) or Mixed Gas to Liquid Petroleum Gas (L.P.) for 25,000 Btu
<b>8</b>	459P3	N.G. Conversion Kit	Used to convert dryers from L.P. to N.G. or Mixed Gas for 25,000 Btu
<b>9</b>	56124	Screw	
<b>10</b>	D510128	Gas Valve Mounting Bracket	
<b>11</b>	D517606	Gas Valve, Bracket and Pipe Assembly	60 Hertz; 25,000 Btu; N.G.; Includes items 9-13
<b>12</b>	58804A	Booster and Holding Coil	60 Hertz
<b>13</b>	58804B	Secondary Coil	60 Hertz

## Burner Orifice Spuds - For Higher Elevations

Gas Models



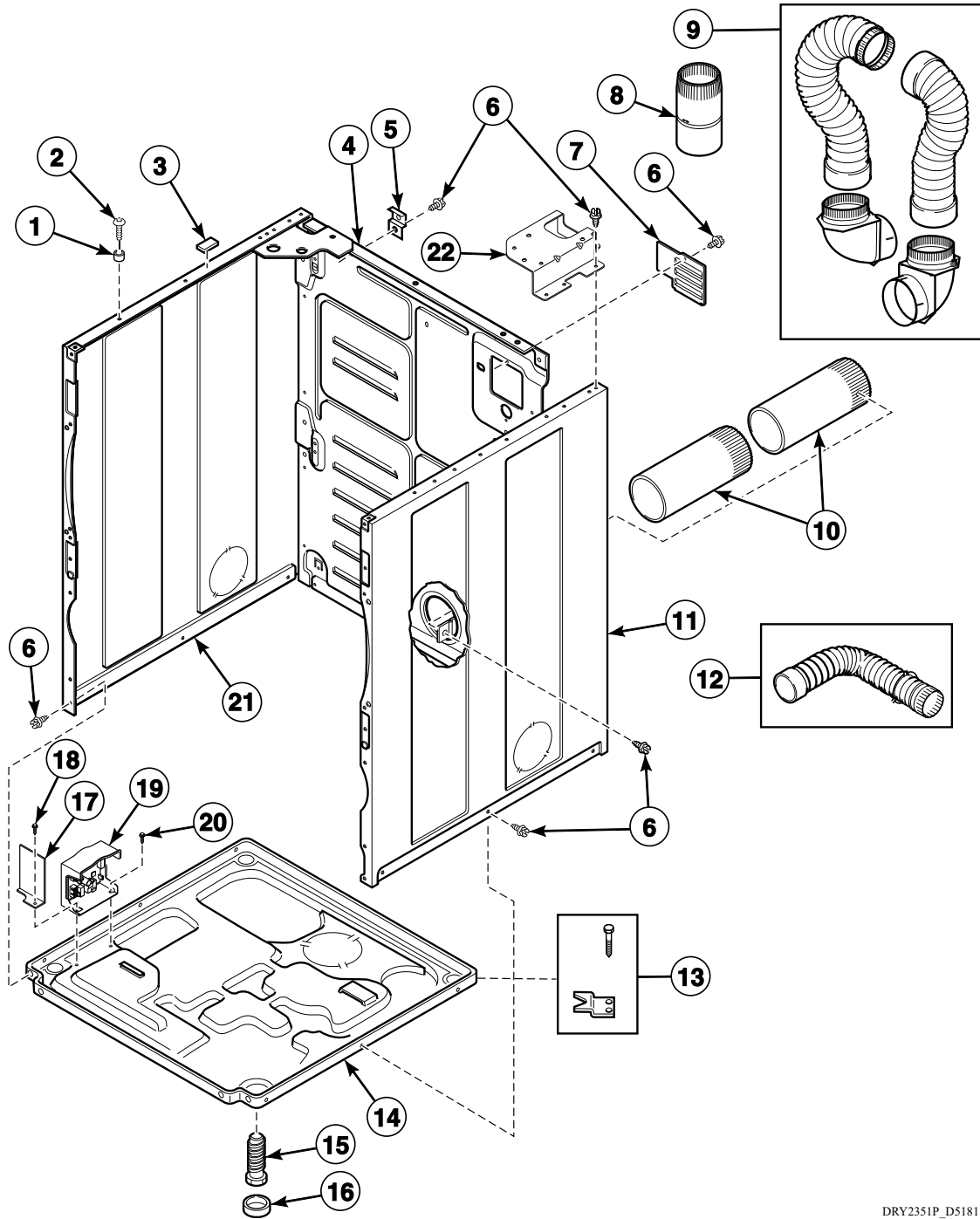
DRY2266P\_D518111

Ref	Part	Description	Comments
1	58755	L.P. Orifice	25,000 Btu; 7500-10,999 feet (2290-3354 m)
	D503786	L.P. Orifice	25,000 Btu; 11,000 feet (3355 m) and higher
	D503776	N.G. Orifice	25,000 Btu; 2000-2999 feet (610-914 m)
	D510517	N.G. Orifice	25,000 Btu; 3000-5499 feet (915-1679 m)



<b>Ref</b>	<b>Part</b>	<b>Description</b>	<b>Comments</b>
D503778	N.G. Orifice		25,000 Btu; 5500-6999 feet (1680-2134 m)
58719	Screw Orifice		25,000 Btu; 7000-8999 feet (2135-2744 m)
D503779	N.G. Orifice		25,000 Btu; 9000-10,499 feet (2745-3199 m)
D503780	N.G. Orifice		25,000 Btu; 10,500 feet (3200 m) and higher

## Cabinet, Exhaust Duct and Base

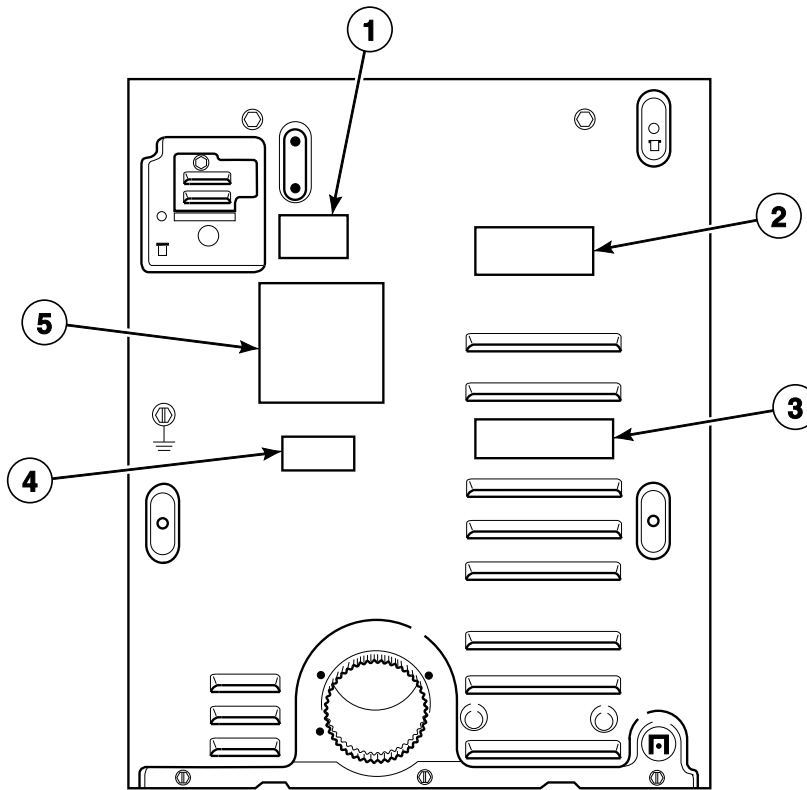


DRY2351P\_D518111

Ref	Part	Description	Comments
	122P4P	Porcelain Touch-Up Paint	White
<b>1</b>	56079	Panel Locator	
<b>2</b>	D512921	Screw	Use with stainless steel side panels
	39733	Screw	Use with painted side panels
<b>3</b>	56128	Bumper Pad	

<b>Ref</b>	<b>Part</b>	<b>Description</b>	<b>Comments</b>
<b>4</b>	D517566	Cabinet Rear Panel	
<b>5</b>	D510136	Top Hinge	
<b>6</b>	D503688	Screw	
<b>7</b>	D510903	Access Panel Plate	
<b>8</b>	58786	Damper	Use when connecting to a manifold vent system
<b>9</b>	521P3	Flexible Venting Kit	
<b>10</b>	D516196	Exhaust Duct	
<b>11</b>	D510002QP	Cabinet Side Panel	Bisque; Right
	D510002DGP	Cabinet Side Panel	Gray; Right
	D510002WP	Cabinet Side Panel	White; Right
<b>12</b>	528P3	Directional Exhaust Kit	Used to vent dryer out the sides or bottom
<b>13</b>	526P3	Hold Down Kit	For mobile home installations
<b>14</b>	D514245	Dryer Base	
<b>15</b>	D510135	Leveling Leg	
<b>16</b>	D501855	Rubber Foot	
<b>17</b>	D514420	Output Board Shield	
<b>18</b>	D514428	Screw	
<b>19</b>	D517191	Output Control Assembly	
<b>20</b>	804667	Screw	
<b>21</b>	D510001QP	Cabinet Side Panel	Bisque; Left
	D510001DGP	Cabinet Side Panel	Gray; Left
	D510001WP	Cabinet Side Panel	White; Left
<b>22</b>	547P3	Coin Cabinet Hardware Kit	

## Label Location on Rear of Cabinet

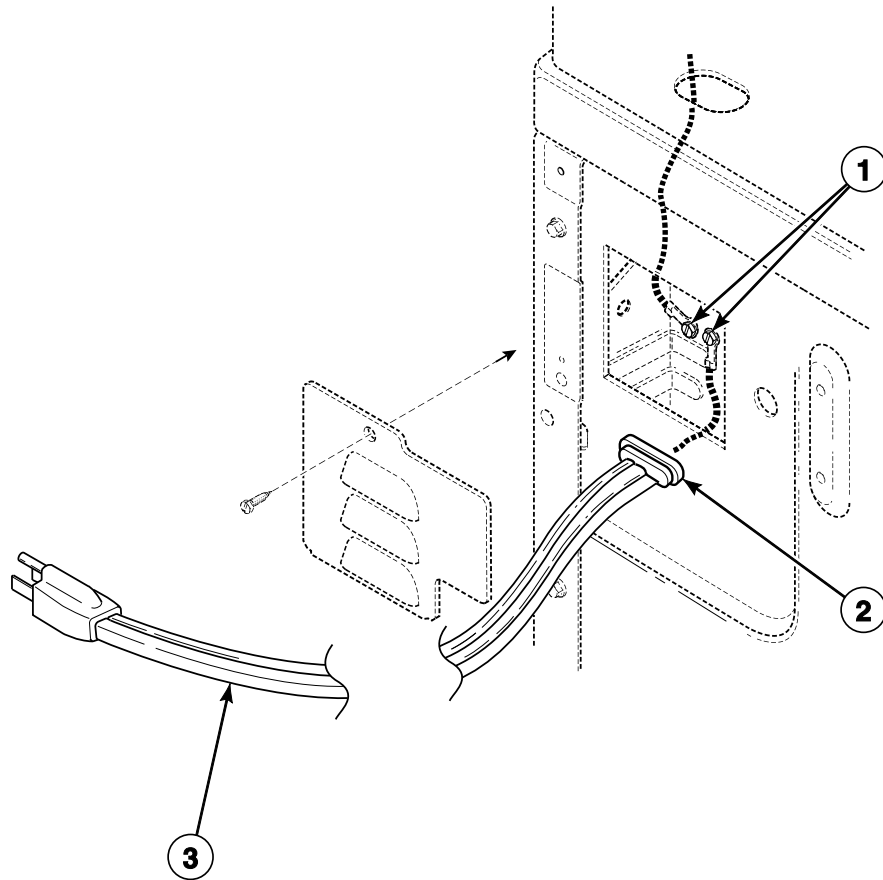


DRY2374P\_D518111

Ref	Part	Description	Comments
1	803260	Warning Label	
2	D502791	Venting Instruction Label	
3	62104	Voltage Warning Label	208 Volt
	D505215	Gas Label	
4	D500497	Exhaust Warning Label	
5	D505894	NOT ON YOUR MODEL	

<b>Ref</b>	<b>Part</b>	<b>Description</b>	<b>Comments</b>
D511005		NOT ON YOUR MODEL	
D511004		Gas Clearance Label	

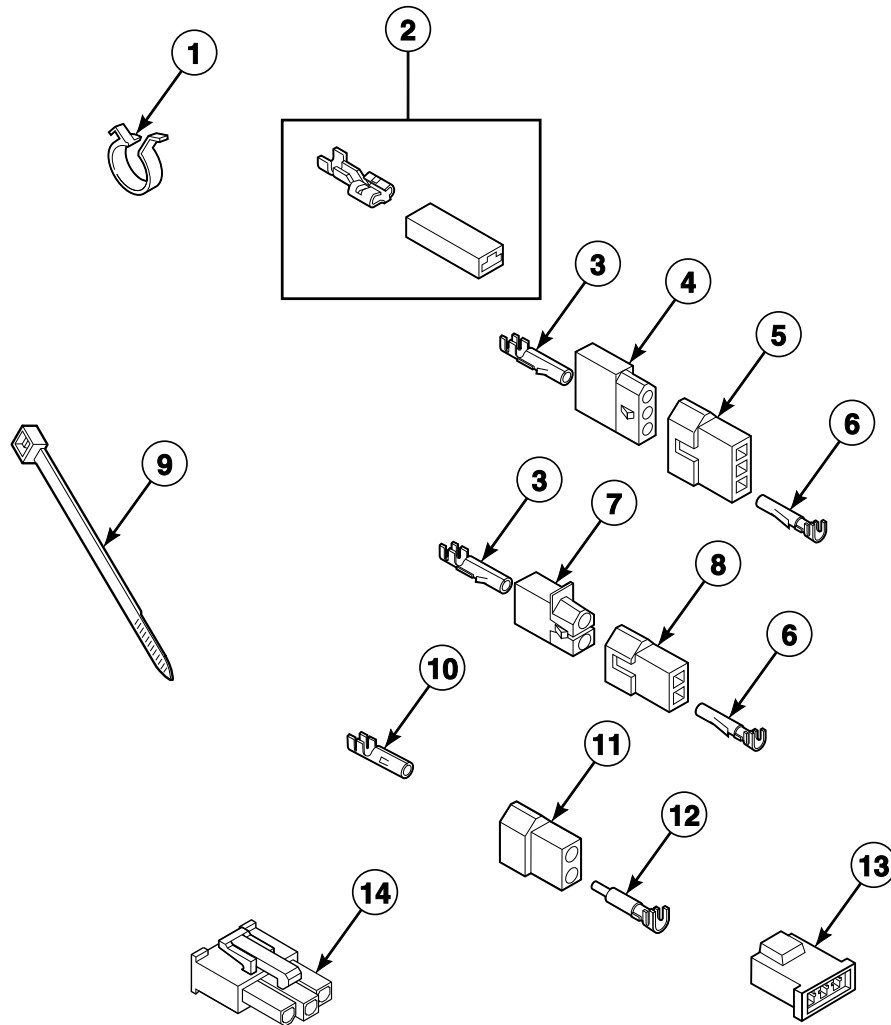
## Power Cord



DRY1879P\_D518111

Ref	Part	Description	Comments
1	20530	Screw	
2	D517490	Strain Relief	
3	D510505P	NOT ON YOUR MODEL	
	202777	Lead-In Cord	

## Terminal Block and Terminals



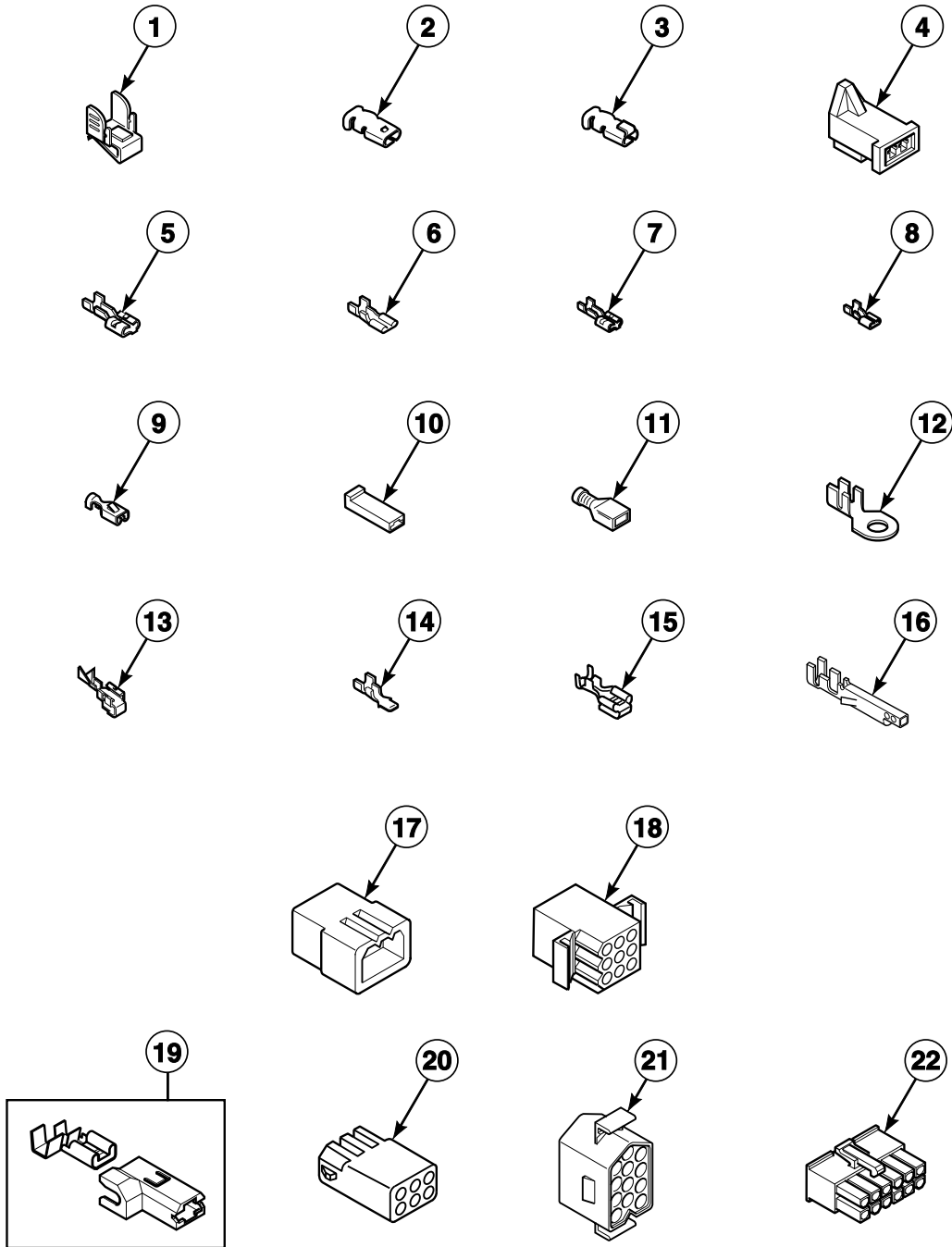
DRY2064P\_D518111

Ref	Part	Description	Comments
1	D504034	Wire Clip	11/16 inch
	687500	Wire Clip	1 inch
2	00360	Insulated Female Spade Terminal	(1) 12 gauge wire or (2) 18 gauge wires
3	00117	Female Pin Terminal	
4	23039	3 Circuit Receptacle	

<b>Ref</b>	<b>Part</b>	<b>Description</b>	<b>Comments</b>
	56265	2 Circuit Receptacle	
<b>5</b>	23040	Plug	3 circuit
<b>6</b>	00116	Male Pin Terminal	
<b>7</b>	56451	2 Circuit Receptacle	
<b>8</b>	56448	2 Circuit Plug	
<b>9</b>	55881	Harness Strap	
<b>10</b>	00130	Female Pin Terminal	1/8 inch; 16-18 gauge wire
	00128	Female Pin Terminal	1/8 inch; 10-14 gauge wire
<b>11</b>	56266	2 Circuit Plug	
<b>12</b>	00127	Male Pin Terminal	0.18 insulation diameter
	00129	Male Pin Terminal	0.12 insulation diameter
<b>13</b>	58800	3 Circuit Connector	
<b>14</b>	36170	3 Circuit Receptacle	



## Terminals

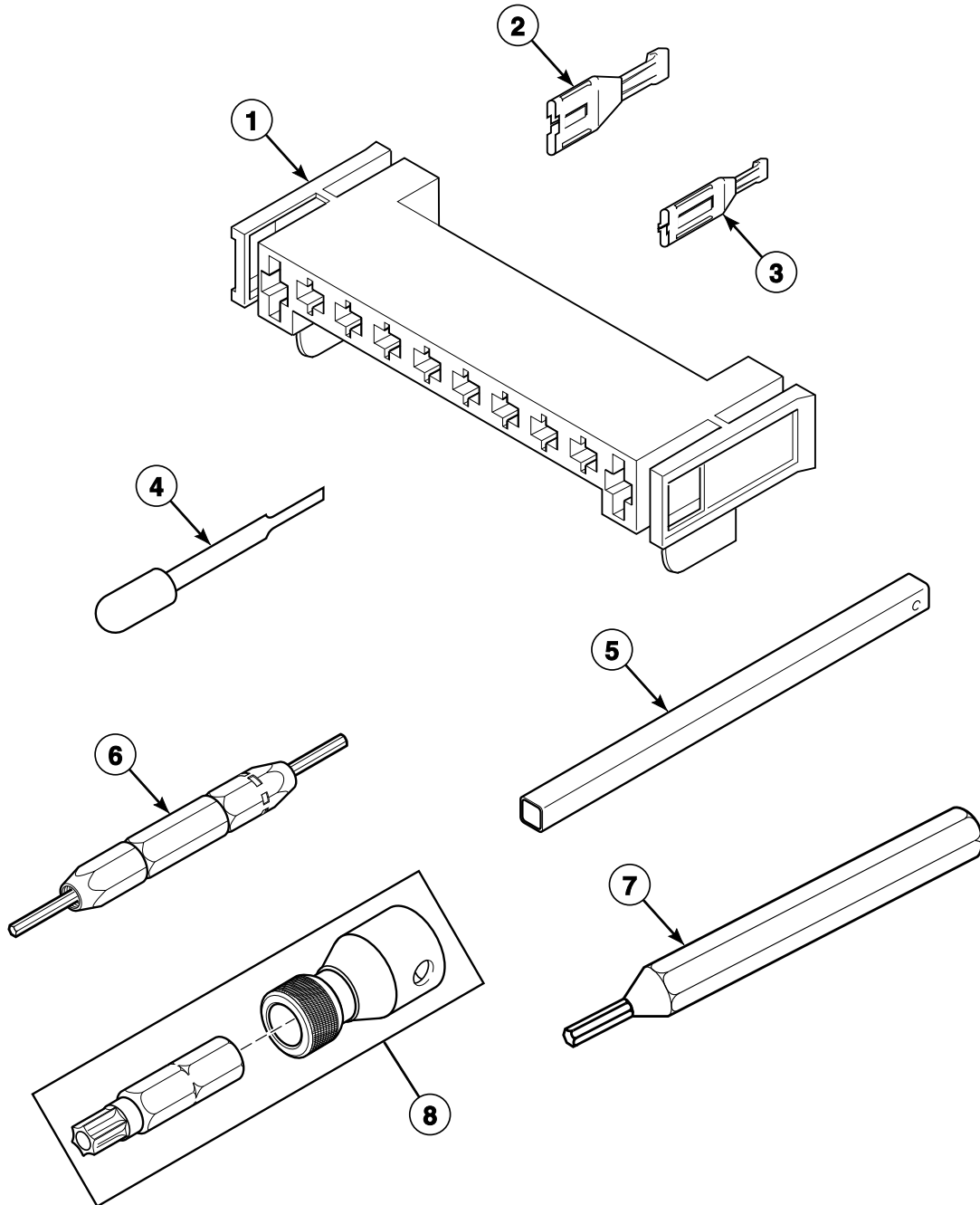


DRY2343P\_D518111

Ref	Part	Description	Comments
1	00161	Grounding Clip	
2	00189	Female Spade Terminal	
3	00361	Female Piggyback Terminal	
4	58799	2 Circuit Connector	
5	00223	Female Spade Terminal	1/4 inch; (1) 18 gauge wire

<b>Ref</b>	<b>Part</b>	<b>Description</b>	<b>Comments</b>
	00121	Female Spade Terminal	1/4 inch; (2) 18 gauge wires or (1) 12 gauge wire
	00245	Spade Terminal	1/4 inch; (1) 22 gauge wire
<b>6</b>	00124	Female Spade Terminal	3/16 inch; (1) 18 gauge wire; .020 tab
	00156	Female Spade Terminal	3/16 inch; Thermostat wire; .032 tab
<b>7</b>	00222	Female Spade Terminal	1/4 inch
<b>8</b>	00347	Terminal	
<b>9</b>	00115	Female Spade Terminal	1/4 inch; (1) 18 gauge wire
<b>10</b>	90789	Receptacle Housing	
<b>11</b>	00359	Insulated Female Spade Terminal	1/4 inch
	00165	Insulated Female Terminal	3/16 inch
<b>12</b>	00110	Ring Terminal	(1) 18 gauge wire
	00111	Ring Terminal	(2) 18 gauge wires or (1) 12 gauge wire
	00319	Ring Terminal	(2) 18 gauge wires or (1) 14 gauge wire
<b>13</b>	00114	Female Spade Terminal	1/4 inch; Double connector
<b>14</b>	00139	Male Tab Terminal	1/4 inch; (2) 18 gauge wires or (1) 12 gauge wire
<b>15</b>	00344	Female Tab Terminal	
<b>16</b>	00252	Terminal	
<b>17</b>	44370401	1 Circuit Plug	
	23033	9 Circuit Plug	
	23041	6 Circuit Plug	
<b>18</b>	26163	9 Circuit Receptacle	
	56855	12 Circuit Receptacle	
<b>19</b>	00221	Insulated Female Flag Terminal	1/4 inch
<b>20</b>	26708	6 Circuit Receptacle	
	26301	1 Circuit Receptacle	
<b>21</b>	54522	Plug	
<b>22</b>	D501333	12 Circuit Receptacle	
	34596	10 Circuit Receptacle	

## Motor Connection Block and Tools

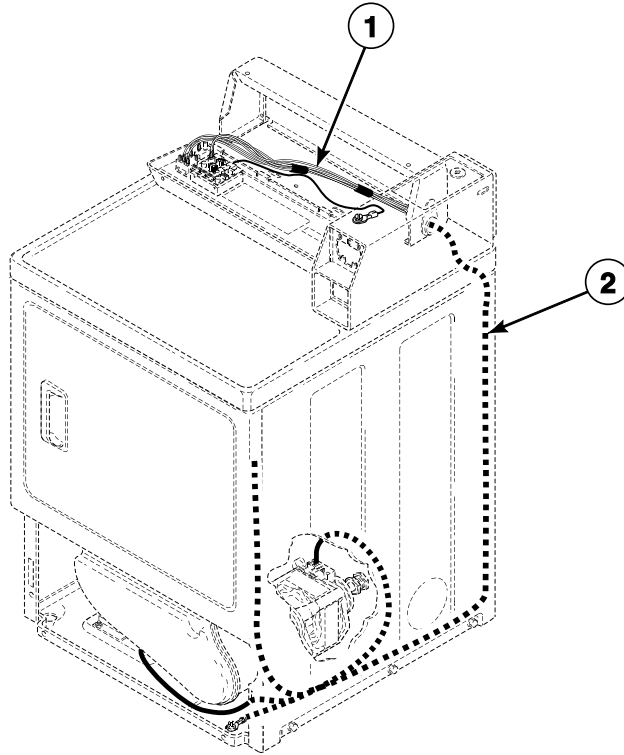


DRY2066P\_D518111

Ref	Part	Description	Comments
1	D500338	10 Position Housing	
2	00255	Female Terminal	1/4 inch; For (1) 12 gauge wire
	00256	Female Terminal	1/4 inch; For (1) or (2) 18 gauge wires
3	00188	Female Terminal	For 1 or 2 wire application
4	283P4	Terminal Extractor Tool	For use on Molex connectors

<b>Ref</b>	<b>Part</b>	<b>Description</b>	<b>Comments</b>
<b>5</b>	310P4	Ratchet Extension Tool	1/4 inch; For coin drop installation
<b>6</b>	190P4	NOT ON YOUR MODEL	
<b>7</b>	128P4	Extractor Tool	For use on gas dryer terminals
<b>8</b>	281P4	Torx Bit	T15 Tamper Resistant Bit
	282P4	Torx Bit	Use with 62853 Screw on access panel; T25 Tamper Resistant Bit
	292P4	Torx Bit	T20 Standard Bit
	93501	Torx Drive Tool	T10 Standard Bit

## Wire Harnesses and Wires - Rear Control Models



DRY2373P\_D518111

Ref	Part	Description	Comments
	45477	12 Gauge Wire	Green/yellow stripe; Order wire by foot; Order terminals and connectors as required
	45380	12 Gauge Wire	Orange; Order wire by foot; Order terminals and connectors as required
	45001	18 Gauge Wire	Black; Order wire by foot; Order terminals and connectors as required
<b>1</b>	D514025	Harness	
<b>2</b>	D517968	NOT ON YOUR MODEL	

<b>Ref</b>	<b>Part</b>	<b>Description</b>	<b>Comments</b>
D517474		NOT ON YOUR MODEL	
D517969		NOT ON YOUR MODEL	
D517475		Gas Harness	

NOTE: Individual wires are not available separately. Order complete harness, or order wire by the foot. When applying terminals to wires, it is recommended that the terminals be soldered to the wires.