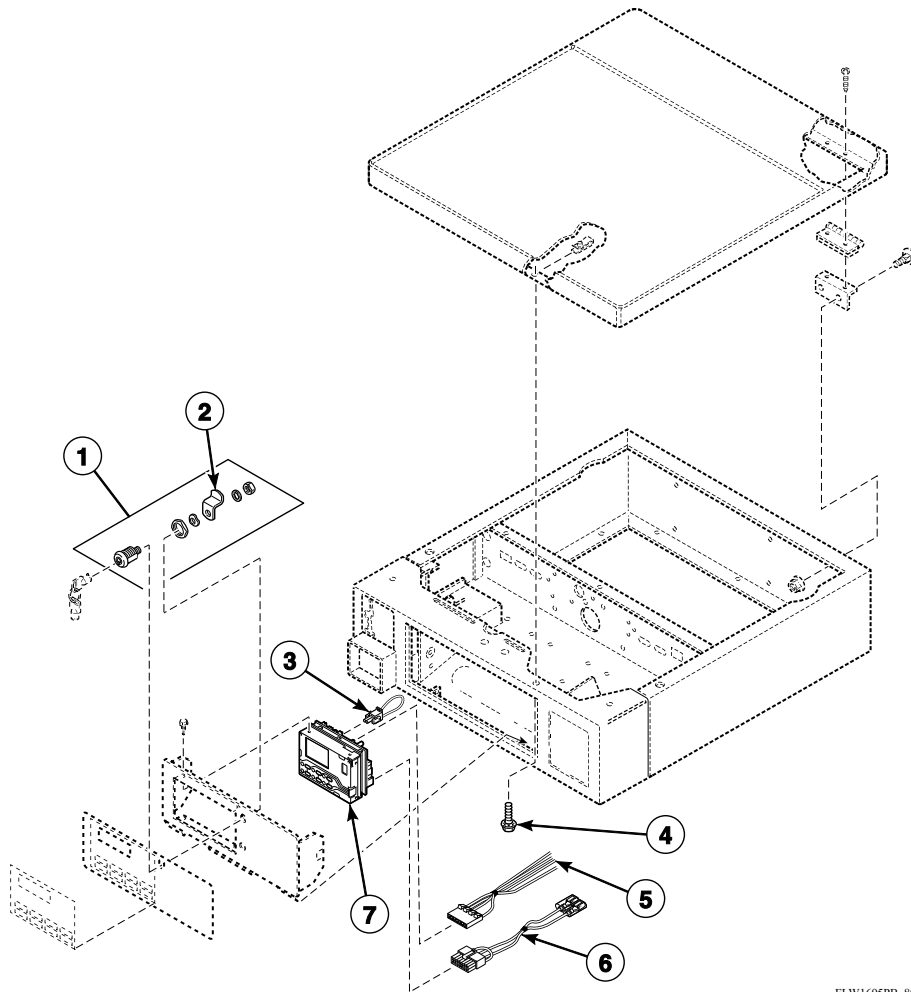




Registered Trademark of Alliance Laundry Systems, LLC
© 2022 All Rights Reserved

Manual: **803401** Product: **Frontload Washer** Model: **SFNLCSG111TN01** Date: **12/1/2022 9:33 AM**

Control Panel and Controls (Drawing 1 of 3)

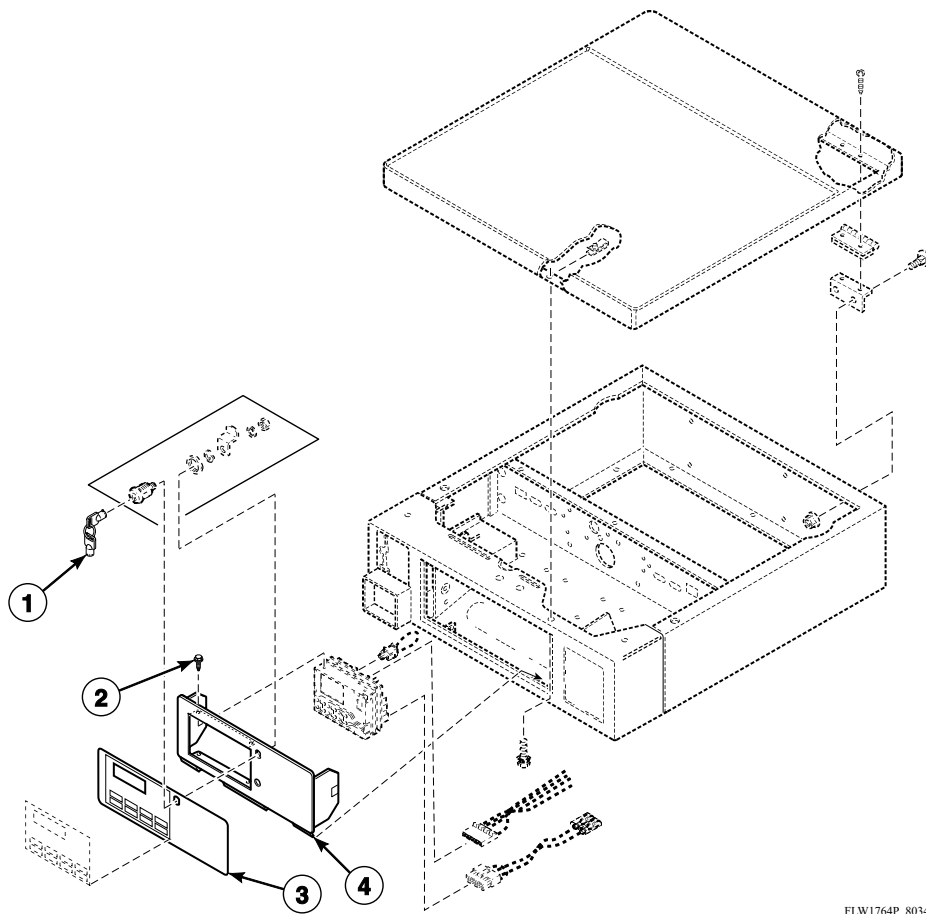


FLW1695PB_803401

| Ref | Part | Description | Comments |
|----------|---------|------------------------|----------------------|
| | NK202 | Network Retrofit Kit | Wired |
| | NK220 | Network Controller Kit | Wired |
| | NK301 | Wireless Network Kit | |
| | NK320 | Ethernet Gateway Kit | Wireless |
| | NK330 | USB Gateway Kit | Wireless |
| 1 | 27260P | Lock Kit | |
| 2 | 27261 | Lock Cam | |
| 3 | 802913P | Wire Harness Assembly | Gravity drain jumper |
| 4 | 23008 | Screw | |
| 5 | D511478 | Central Pay Harness | |

| Ref | Part | Description | Comments |
|------------|-------------|--------------------|-----------------|
| 6 | 800374 | NOT ON YOUR MODEL | |
| 7 | 802912P | NOT ON YOUR MODEL | |
| | 803619P | Control Assembly | |

Control Panel and Controls (Drawing 2 of 3)



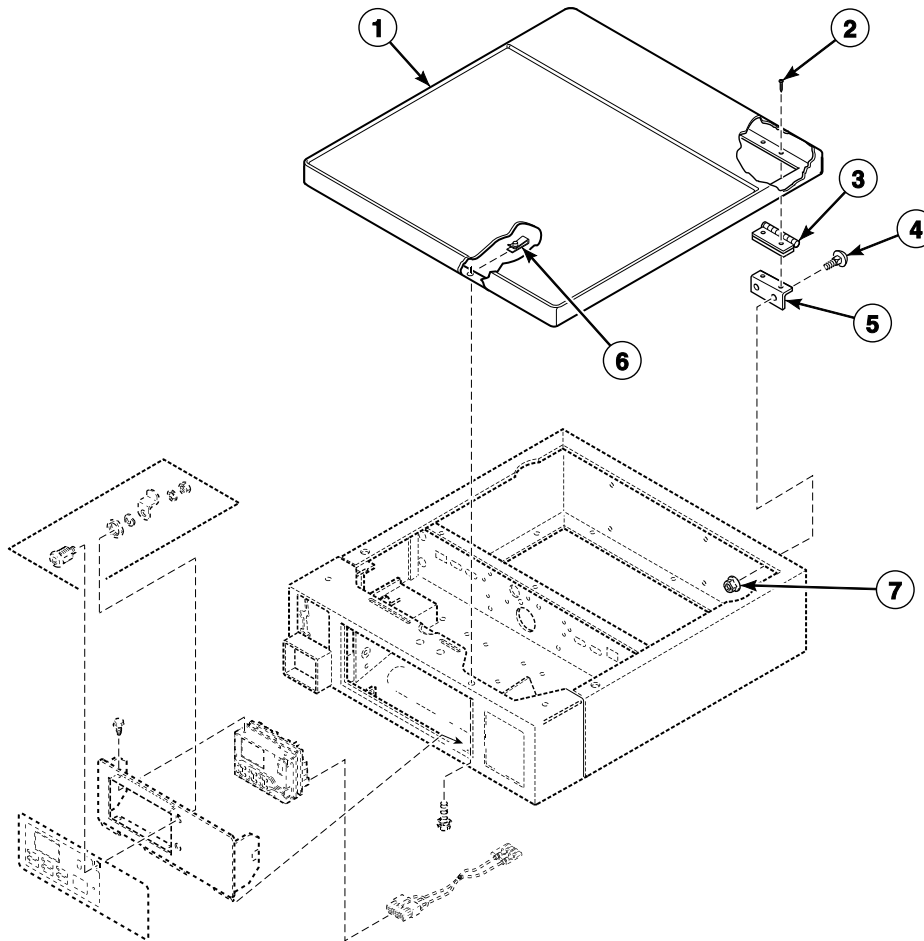
FLW1764P_803401

| Ref | Part | Description | Comments |
|----------|---------|------------------------|----------|
| | NK202 | Network Retrofit Kit | Wired |
| | NK220 | Network Controller Kit | Wired |
| | NK301 | Wireless Network Kit | |
| | NK320 | Ethernet Gateway Kit | Wireless |
| | NK330 | USB Gateway Kit | Wireless |
| 1 | 54612 | Key | GR800 |
| 2 | D501524 | Screw | |
| 3 | 802885 | Control Overlay | |
| | 802984 | NOT ON YOUR MODEL | |
| | 803138 | NOT ON YOUR MODEL | |

| Ref | Part | Description | Comments |
|------------|-------------|------------------------------------|-----------------|
| | 802945 | NOT ON YOUR MODEL | |
| | 804915 | NOT ON YOUR MODEL | |
| 4 | 800035Q | NOT ON YOUR MODEL | |
| | 800035B | Control Panel and Bracket Assembly | |
| | 800035G | NOT ON YOUR MODEL | |
| | 800035W | NOT ON YOUR MODEL | |

Top Assembly

Front Control Coin and Card Models



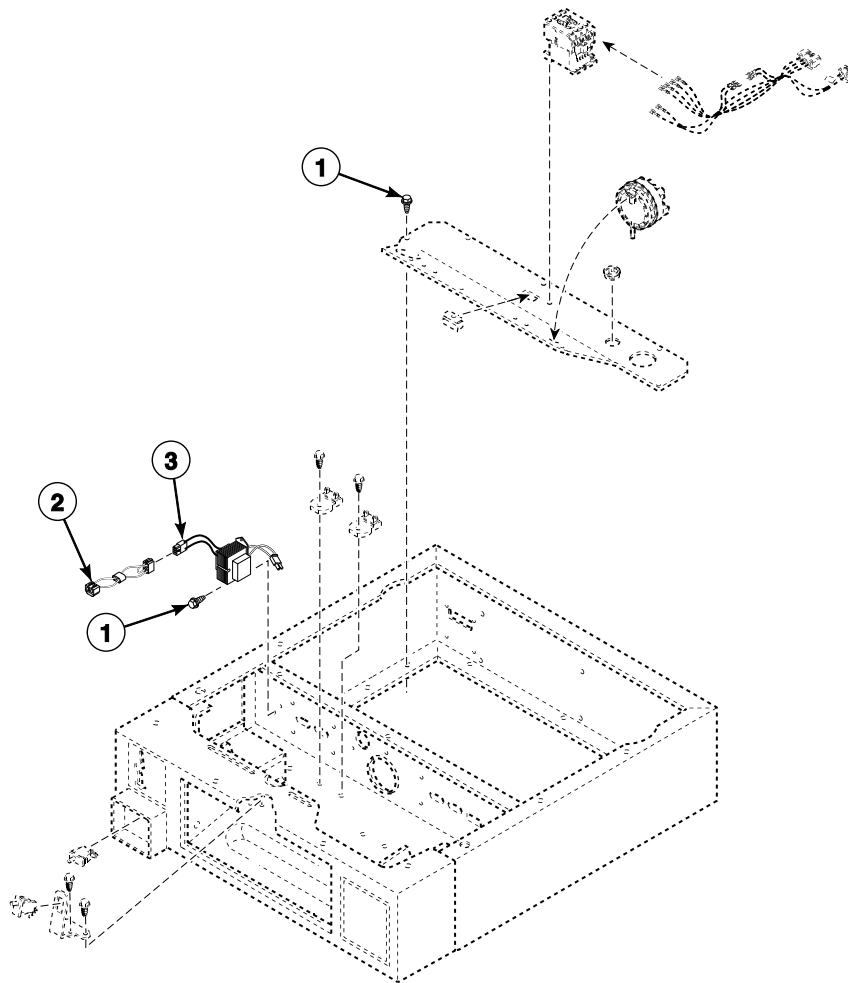
FLW895P_803401

| Ref | Part | Description | Comments |
|----------|----------|---------------------|--|
| 1 | 802247QP | NOT ON YOUR MODEL | |
| | D512967 | Stainless Steel Top | through Serial No. 1005018719 |
| | 803144P | Top Kit | starting Serial No. 1005018720; Includes items 3, 4, 6, 7 and 4 each 22649 Screw and 51236 Nut |
| | D512878G | NOT ON YOUR MODEL | |
| | 802247WP | NOT ON YOUR MODEL | |
| 2 | 685847 | Pop Rivet | |
| 3 | D511036 | Hinge | |
| 4 | 29651 | Bolt | |

| Ref | Part | Description | Comments |
|------------|-------------|----------------------|-----------------|
| 5 | D504228 | Top Mounting Bracket | |
| 6 | 36020 | Nut | |
| 7 | 44087201 | Nut | |

Control Cabinet Controls (Drawing 1 of 3)

Front Control Coin and Card Models

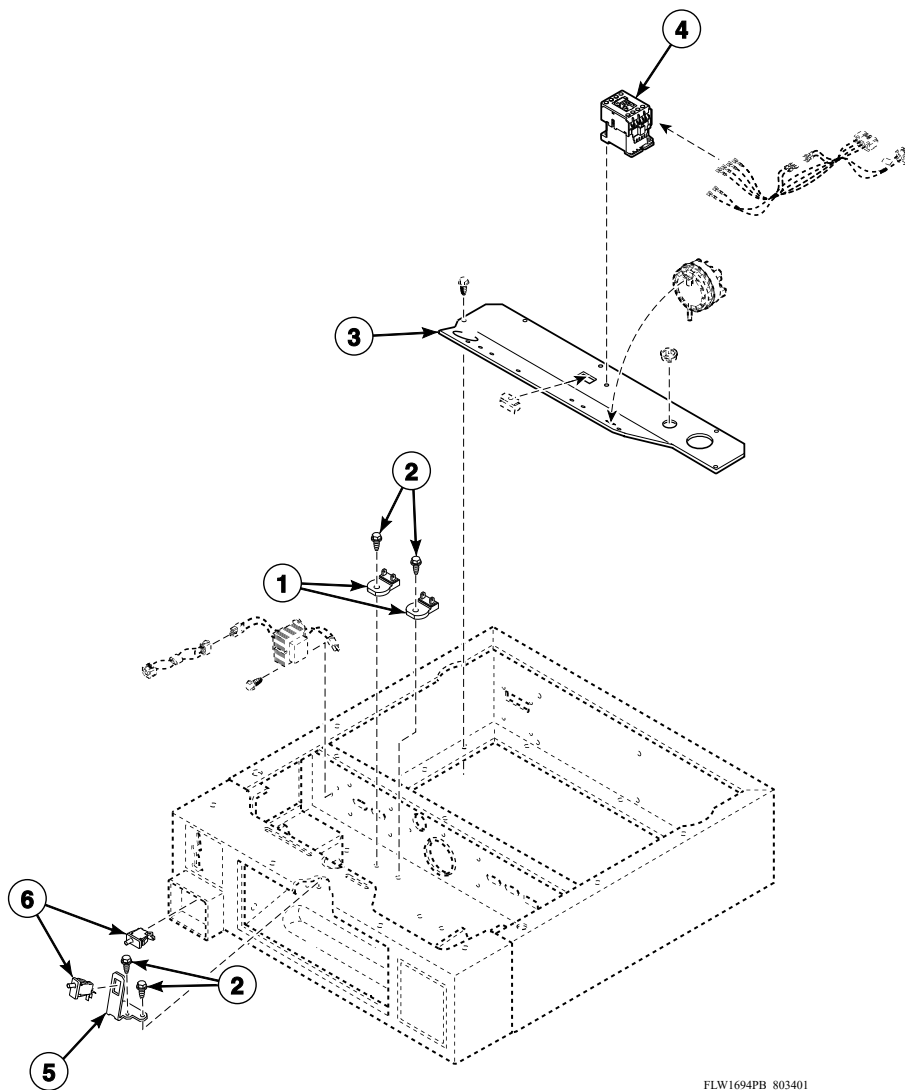


FLW1694PA_803401

| Ref | Part | Description | Comments |
|-----|---------|-------------------|----------|
| 1 | D503661 | Screw | |
| 2 | M413504 | NOT ON YOUR MODEL | |
| | M413507 | NOT ON YOUR MODEL | |
| 3 | 210018P | Transformer | |
| | 803527P | NOT ON YOUR MODEL | |
| | 201375P | NOT ON YOUR MODEL | |

Control Cabinet Controls (Drawing 2 of 3)

Front Control Coin and Card Models

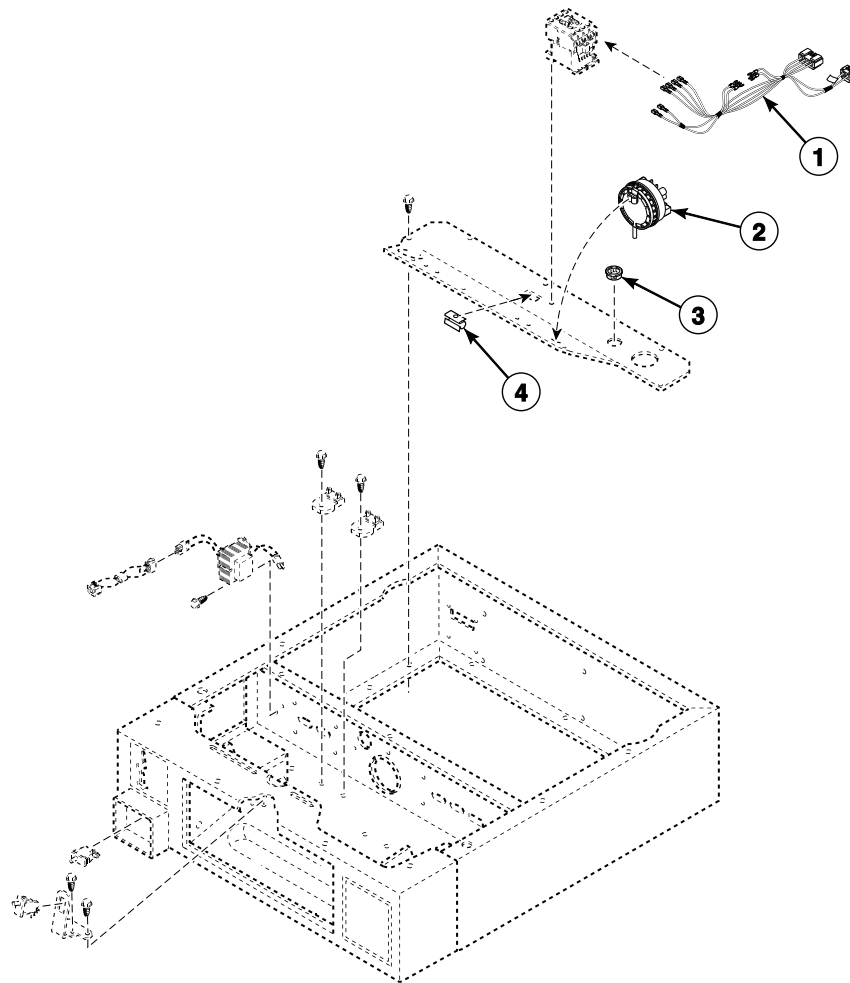


FLW1694PB_803401

| Ref | Part | Description | Comments |
|-----|----------|----------------------|----------|
| 1 | 210100 | NOT ON YOUR MODEL | |
| 2 | D503688 | Screw | |
| 3 | 801371 | Control Shield | |
| 4 | F330177P | NOT ON YOUR MODEL | |
| | F8379101 | NOT ON YOUR MODEL | |
| 5 | 800379 | Audit Switch Bracket | |
| 6 | D512973 | Switch | |

Control Cabinet Controls (Drawing 3 of 3)

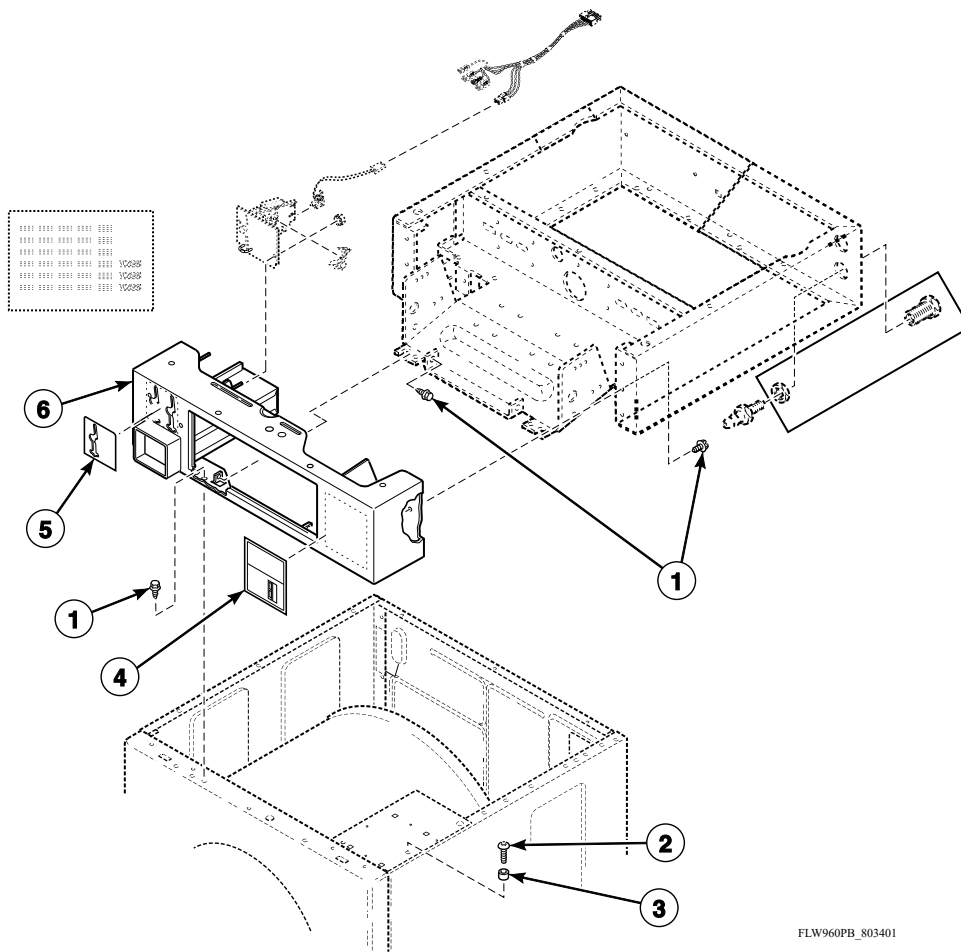
Front Control Coin and Card Models



FLW1694PC_803401

| Ref | Part | Description | Comments |
|-----|---------|-------------------|----------|
| 1 | 801120P | NOT ON YOUR MODEL | |
| | 804229 | NOT ON YOUR MODEL | |
| 2 | 802299P | Pressure Switch | |
| 3 | M402542 | Snap Bushing | |
| 4 | 36985 | Hose Clip | |

Coin Cabinet Front

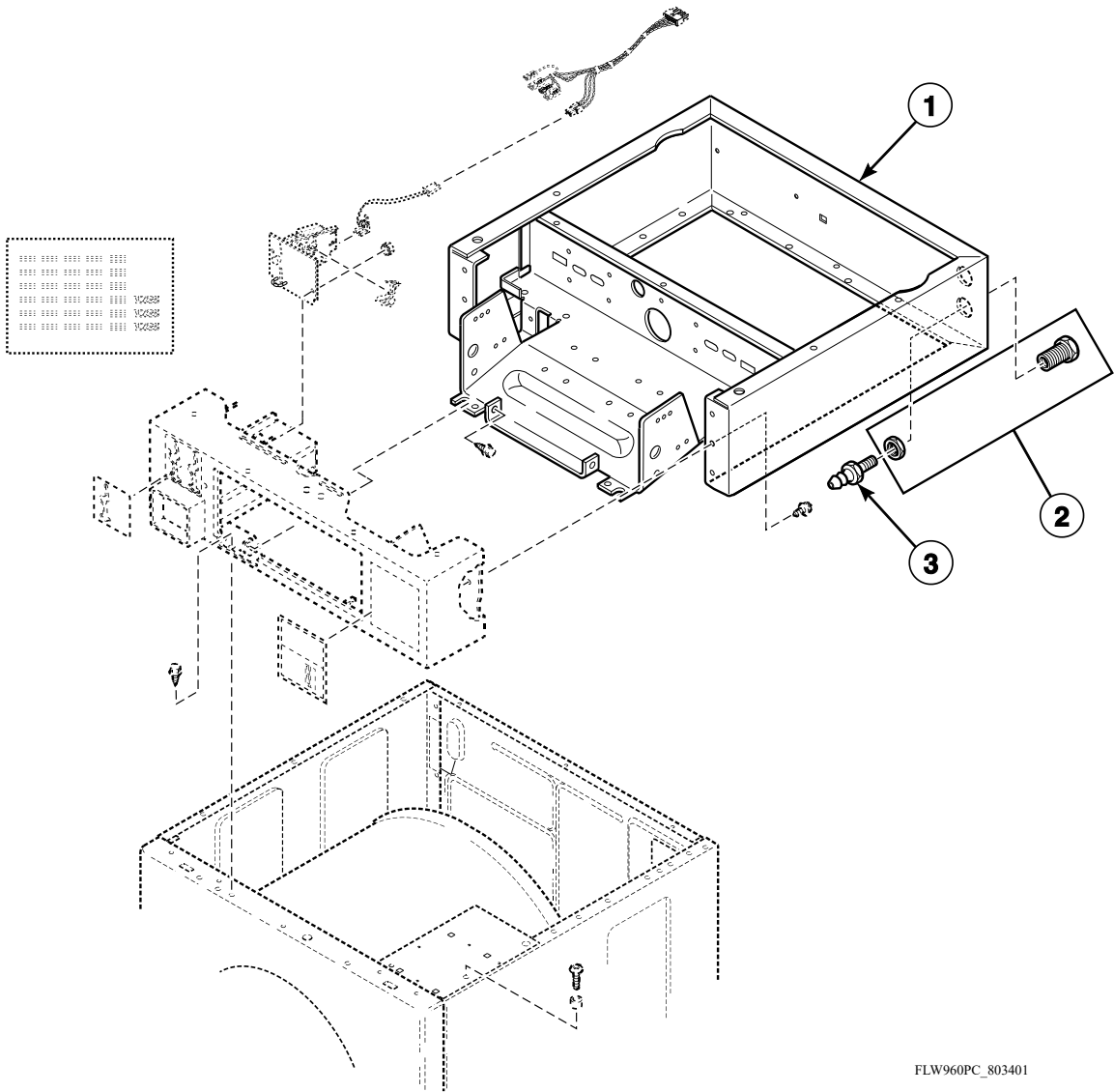


FLW960PB_803401

| Ref | Part | Description | Comments |
|-----|---------|-------------------|--------------------------------------|
| 1 | D503688 | Screw | |
| 2 | D512921 | Screw | Use with stainless steel side panels |
| | 39733 | Screw | Use with painted side panels |
| 3 | 56079 | Panel Locator | |
| 4 | 801217 | NOT ON YOUR MODEL | |
| | 803322 | NOT ON YOUR MODEL | |
| | 803594 | NOT ON YOUR MODEL | |
| | 804950 | NOT ON YOUR MODEL | |
| | 685942 | Instruction Label | |
| 5 | 38717 | Single Overlay | |

| Ref | Part | Description | Comments |
|------------|-------------|---------------------------------|-----------------|
| | 803476 | NOT ON YOUR MODEL | |
| | 201091 | NOT ON YOUR MODEL | |
| 6 | D511633QP | NOT ON YOUR MODEL | |
| | D511633B | Security Cabinet Front Assembly | |
| | D511633G | NOT ON YOUR MODEL | |
| | D511633WP | NOT ON YOUR MODEL | |

Wrapper Assembly

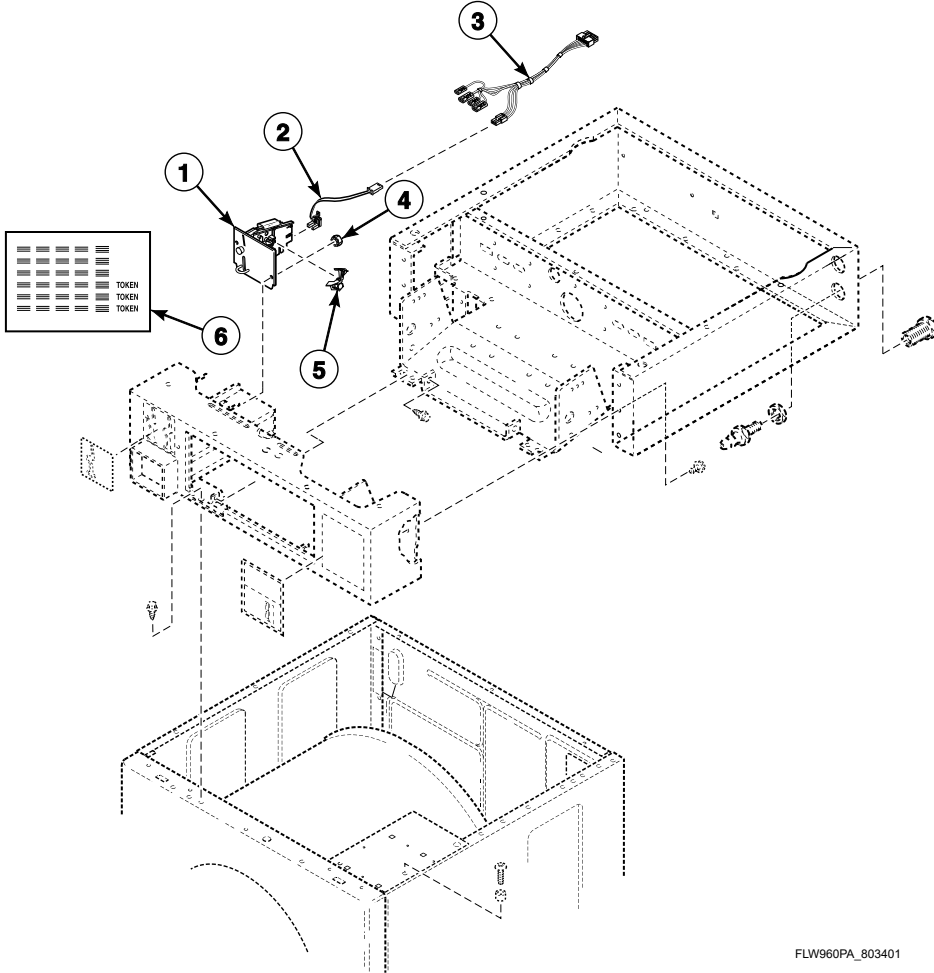


FLW960PC_803401

| Ref | Part | Description | Comments |
|-----|-----------|------------------------------|----------|
| 1 | 801235W | NOT ON YOUR MODEL | |
| | 801235B | NOT ON YOUR MODEL | |
| | 801780W | NOT ON YOUR MODEL | |
| | D505753QP | NOT ON YOUR MODEL | |
| | D505753BP | Wrapper and Channel Assembly | |
| | 801235G | NOT ON YOUR MODEL | |

| Ref | Part | Description | Comments |
|------------|-------------|--------------------|-----------------|
| | D505753G | NOT ON YOUR MODEL | |
| | D505753WP | NOT ON YOUR MODEL | |
| 2 | 801788 | NOT ON YOUR MODEL | |
| 3 | 801789 | NOT ON YOUR MODEL | |

Non-Electronic Coin Drop

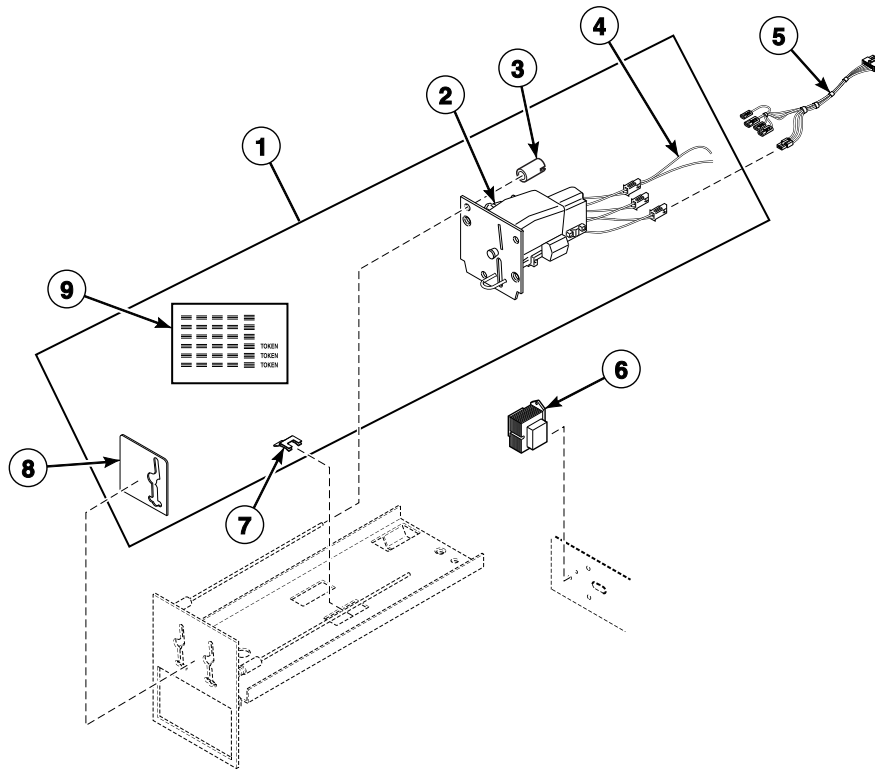


FLW960PA_803401

| Ref | Part | Description | Comments |
|-----|-----------|--------------------|-------------------------------|
| 1 | 70441601P | Coin Drop | U.S.A.; \$.25 |
| | 70441602 | Coin Drop Assembly | Canada; .25 and 1.00 |
| | 38464P | Coin Drop Assembly | Canada; .25 |
| | 70482401 | Coin Drop Assembly | New Zealand; 1.00 and 2.00 |
| | 38467 | Coin Drop Assembly | Australia; .20 and 1.00 |
| | 38472 | Coin Drop Assembly | England; 20 pence and 1 pound |
| | 38519 | Coin Drop Assembly | Japan; 100 yen and 500 yen |
| | 38521 | Coin Drop Assembly | Korea; 100 won and 500 won |
| | CK114 | Coin Drop Assembly | Singapore; Old 1.00 |
| | CK123 | Coin Drop Kit | Singapore; New 1.00 |

| Ref | Part | Description | Comments |
|------------|-------------|---------------------------|---|
| | 38462P | Coin Drop Assembly | Token; STD-118-1 |
| | 38463 | Coin Drop Assembly | Token; STD-118-5 |
| | 38963P | Coin Drop | Token 118-16 not available. Replacement for 38963P Coin Drop only |
| 2 | 200674P | Opto Coupler | |
| 3 | 802904P | Harness Assembly | |
| | 802905 | NOT ON YOUR MODEL | |
| 4 | 29786 | Nut | |
| 5 | 201595P | Wire Guard | Anti-stringing security device |
| 6 | 38725 | Coin Identification Paper | |

Electronic Coin Drop

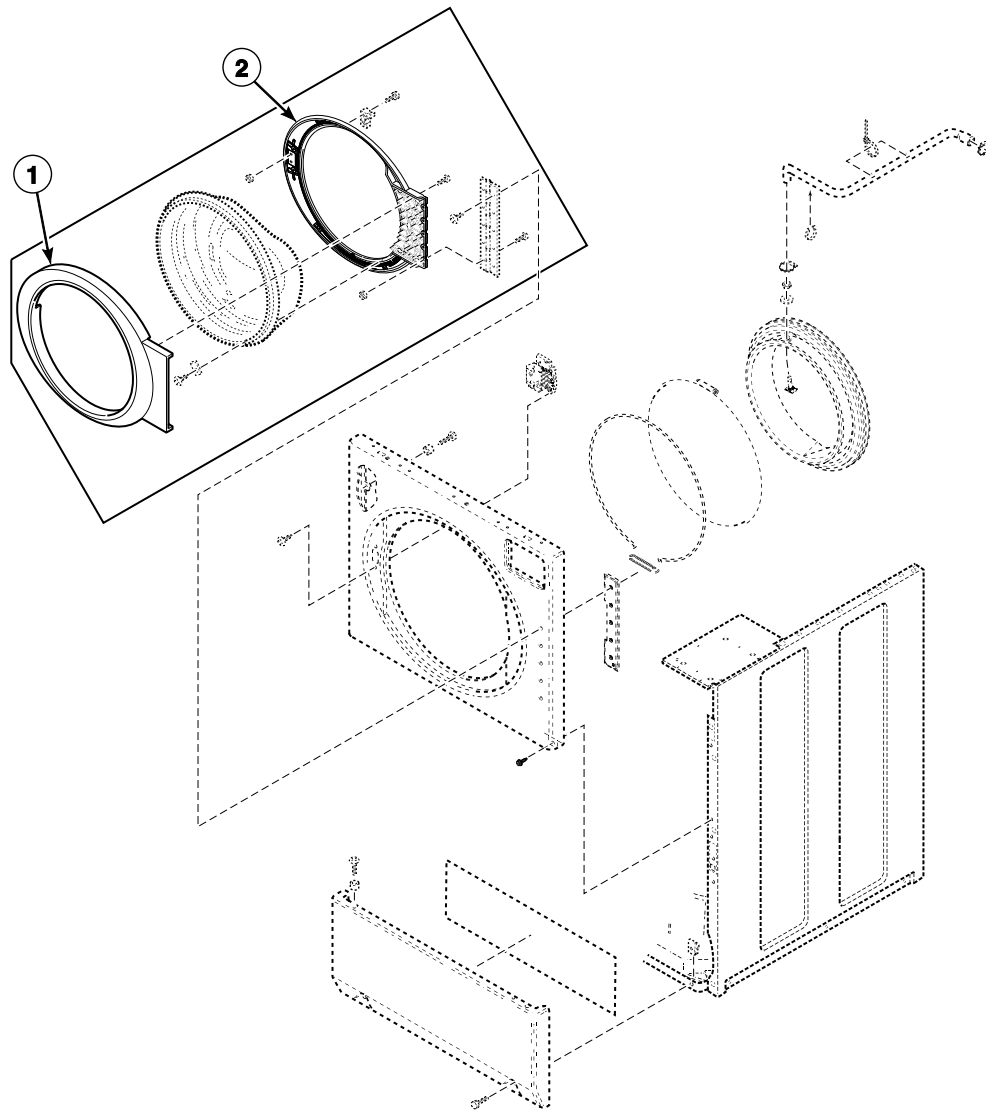


FLW1005P_803401

| Ref | Part | Description | Comments |
|-----|-------|--------------------------|---|
| 1 | CK099 | Electronic Coin Drop Kit | Includes items 2-4 and 7-9; Australia, New Zealand, Hong Kong, South Korea and Malaysia coins |
| | CK100 | Electronic Coin Drop Kit | Includes items 2-4 and 7-9; Euro and Great Britain coins |
| | CK101 | Electronic Coin Drop Kit | Includes items 2-4 and 7-9; Euro, Denmark and Norway coins |
| | CK103 | Electronic Coin Drop Kit | Includes items 2-4 and 7-9; Euro, Lithuania and Latvia coins |
| | CK106 | Electronic Coin Drop Kit | Includes items 2-4 and 7-9; Malaysia, China, Russia and Singapore coins |
| | CK108 | Electronic Coin Drop Kit | Includes items 2-4 and 7-9; South African 1, 2 and 5 rand coins |
| | CK109 | Electronic Coin Drop Kit | Includes items 2-4 and 7-9; Euro coins |
| | CK110 | Electronic Coin Drop Kit | Includes items 2-4 and 7-9; Mexico, Ecuador and United States coins |

| Ref | Part | Description | Comments |
|------------|-------------|-------------------------------|---|
| | CK113 | Electronic Coin Drop Kit | Includes items 2-4 and 7-9; Japan and Taiwan coins |
| | CK115 | Electronic Coin Drop Kit | Includes items 2-4 and 7-9; United States and Canada coins |
| | CK120 | Electronic Coin Drop Kit | Includes items 2-4 and 7-9; Chile coins |
| | CK121 | Electronic Coin Drop Kit | Includes items 2-4 and 7-9; Singapore coins |
| 2 | 70294103P | Electronic Coin Drop Assembly | Euro and Great Britain coins |
| | 70294104 | Electronic Coin Drop Assembly | Euro, Denmark and Norway coins |
| | 70294107 | Electronic Coin Drop Assembly | Euro, Lithuania and Latvia coins |
| | 70294109 | Electronic Coin Drop Assembly | Malaysia, China, Russia and Singapore coins |
| | 70294110 | Electronic Coin Drop Assembly | South African 1, 2 and 5 rand coins |
| | 70294111 | Electronic Coin Drop Assembly | Euro coins |
| | 70294106 | Electronic Coin Drop Assembly | Mexico, Ecuador and United States coins |
| | 70294122 | Electronic Coin Drop Assembly | Euro, Great Britain and token coins |
| | 70294120 | Electronic Coin Drop Assembly | Chile coins |
| | 70294121 | Electronic Coin Drop Assembly | Singapore coins |
| 3 | 201216 | Nut | |
| | 29786 | Nut | Use on front control models with no guide rods |
| 4 | 201104 | Coin Drop Wire Harness | |
| 5 | 802905 | Harness Assembly | Electronic coin drop requires this harness. If unit is not factory-equipped with this harness, it must be ordered separately. |
| 6 | 201375P | Transformer | Electronic coin drop requires this transformer. If unit is not factory-equipped with this transformer, it must be ordered separately. |
| 7 | 201572 | Clip | |
| 8 | 201091 | Overlay | |
| 9 | 38725 | Coin Identification Paper | |

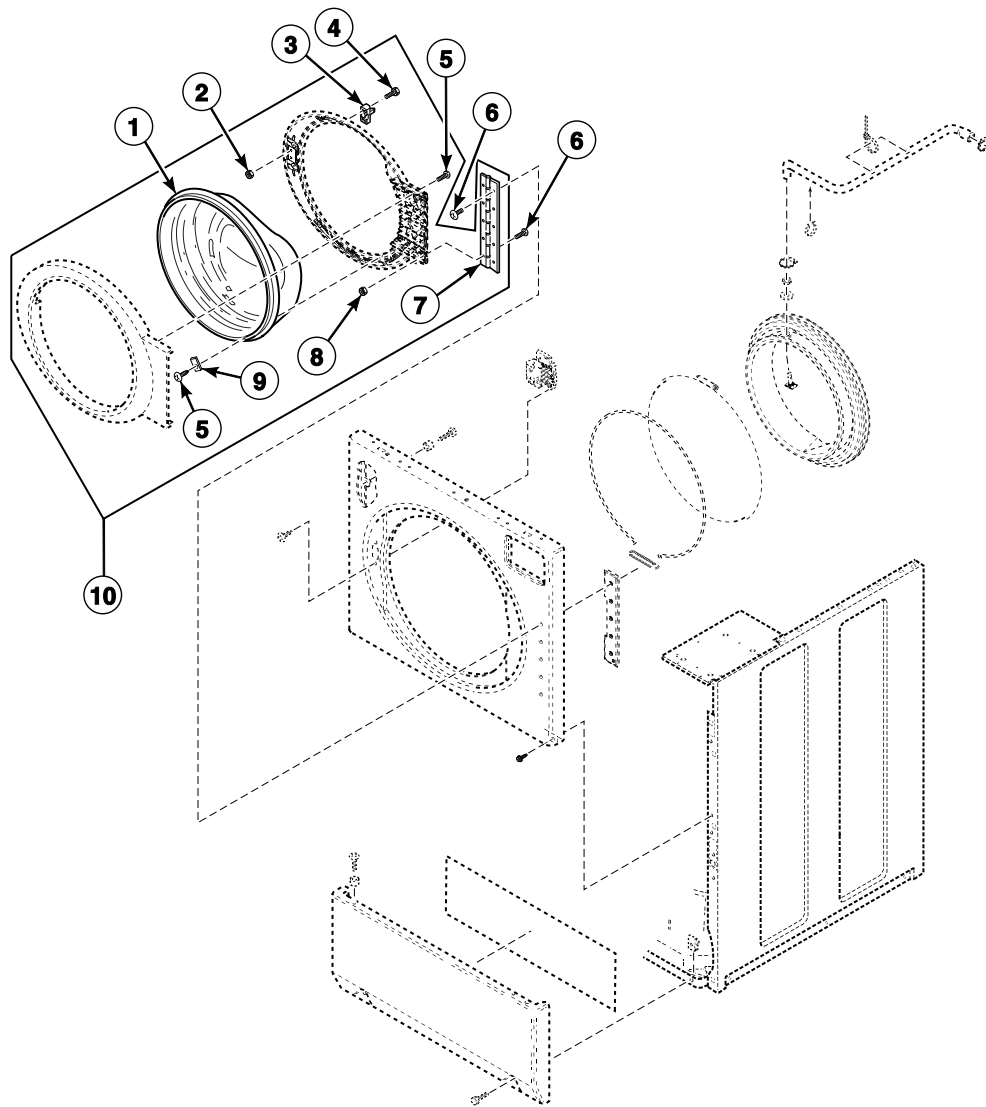
Door Bezel Kits



FLW938PC_803401

| Ref | Part | Description | Comments |
|-----|----------|----------------------|----------|
| 1 | 802314P | Outer Door Bezel Kit | |
| | 802313QP | NOT ON YOUR MODEL | |
| | 802313WP | NOT ON YOUR MODEL | |
| 2 | 802331P | Inner Door Bezel Kit | |
| | 802307P | NOT ON YOUR MODEL | |

Door Assembly

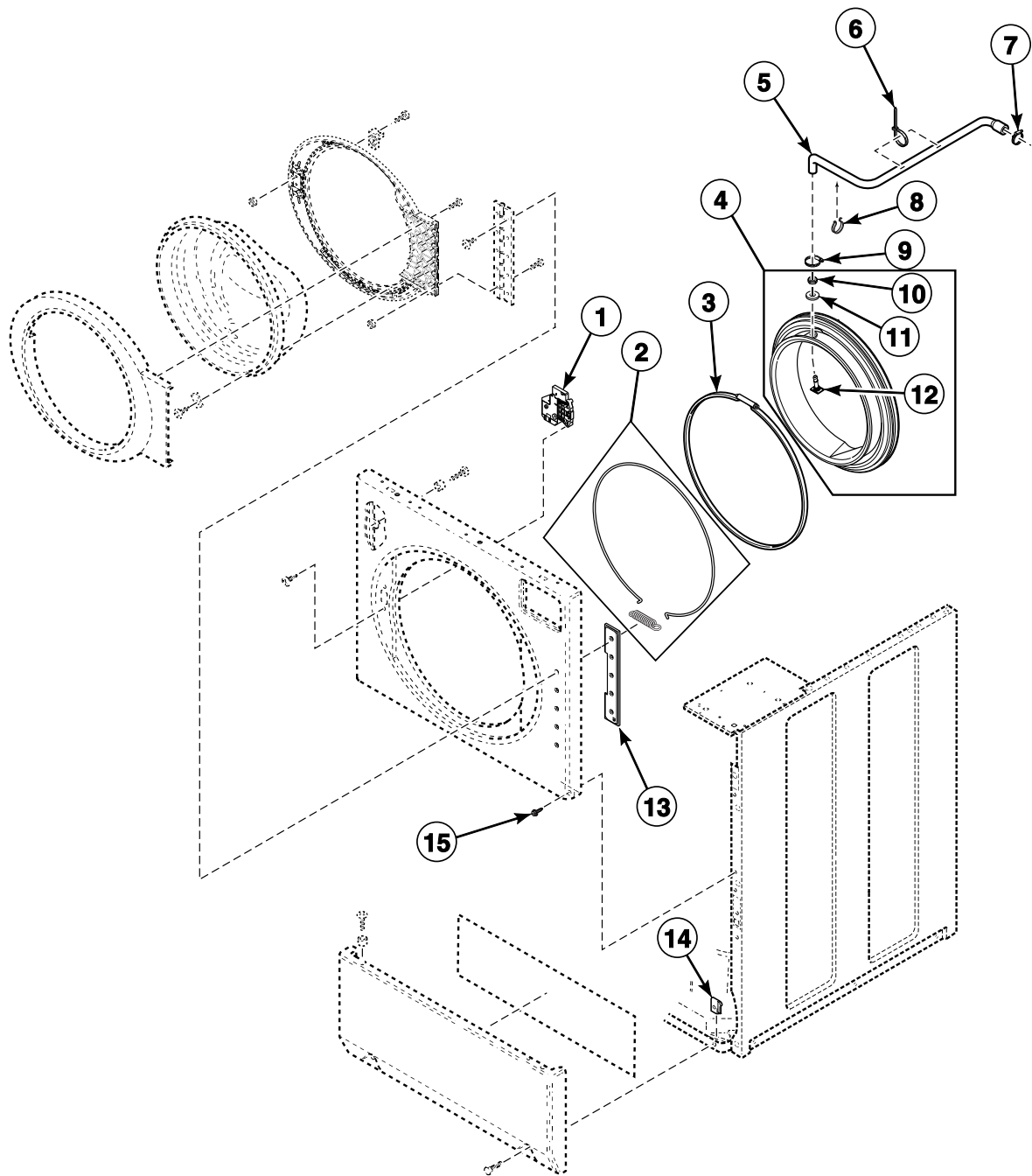


FLW938P_803401

| Ref | Part | Description | Comments |
|-----|---------|---------------------|---|
| 1 | 802695P | Door Glass | |
| 2 | 685846 | Nut | |
| 3 | 802803 | Door Catch Assembly | |
| 4 | 801993 | Screw | |
| 5 | 800548 | Screw | |
| 6 | 801019 | Screw | |
| 7 | 802934 | Door Hinge | |
| 8 | 23951 | Nut | |
| 9 | 802700 | Glass Mounting Clip | |
| 10 | 802872P | Door Assembly | Gray; Includes items 1-5, 7-9 and items on <i>Door Bezel Kits</i> |

| Ref | Part | Description | Comments |
|------------|-------------|--------------------|-----------------|
| 804914QP | | NOT ON YOUR MODEL | |
| 804914WP | | NOT ON YOUR MODEL | |

Front Panel and Door Seal (Drawing 1 of 3)

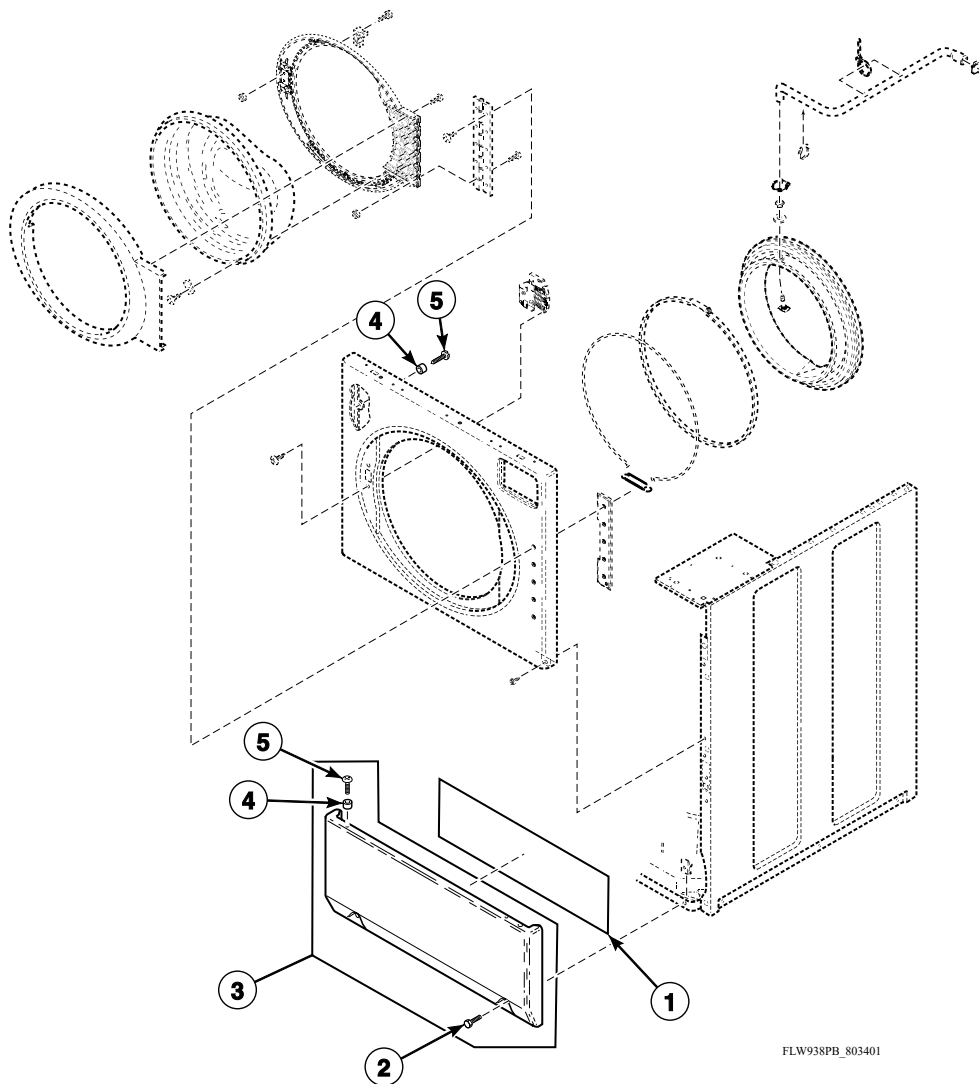


FLW938PA_803401

| Ref | Part | Description | Comments |
|-----|---------|----------------------------|-----------------------------|
| 1 | 802317P | Door Latch/Switch Assembly | |
| 2 | 806466 | Wire Ring and Spring | |
| 3 | 802281 | Hose Clamp | |
| 4 | 803554 | NOT ON YOUR MODEL | |
| | 802866P | Door Seal Assembly | Black; Includes items 10-12 |
| | 802830P | Door Seal Kit | Gray; Includes items 10-12 |

| Ref | Part | Description | Comments |
|------------|-------------|-----------------------------|-----------------|
| 5 | 802256 | Dispenser-to-Door Seal Hose | |
| 6 | 55881 | Harness Strap | |
| 7 | 802164 | Hose Clamp | |
| 8 | 687500 | Wire Clip | |
| 9 | 802698 | Hose Clamp | |
| 10 | 802292 | Nut | |
| 11 | 802293 | Washer | |
| 12 | 802291 | Boot Nozzle | |
| 13 | 802206 | Hinge Plate | |
| 14 | 36020 | Nut | |
| 15 | D503661 | Screw | |

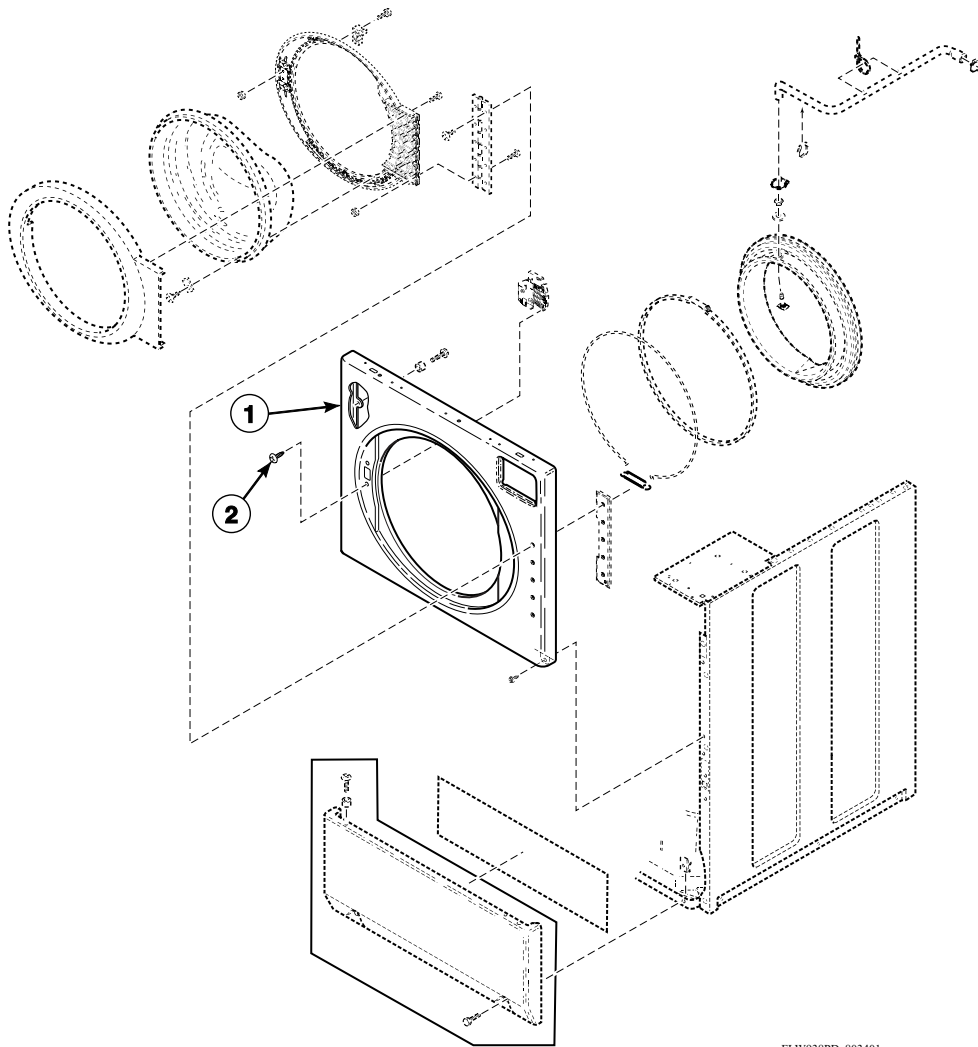
Front Panel and Door Seal (Drawing 2 of 3)



FLW938PB_803401

| Ref | Part | Description | Comments |
|-----|-----------|-----------------------|---------------------|
| 1 | 36204 | Front Panel Pad | 1 inch by 26 inches |
| 2 | 801045 | Screw | |
| 3 | D514250G | NOT ON YOUR MODEL | |
| | D514250Q | NOT ON YOUR MODEL | |
| | D514251 | Access Panel Assembly | |
| | D514250WP | NOT ON YOUR MODEL | |
| 4 | 56079 | Panel Locator | |
| 5 | D512921 | Screw | |
| | 39733 | NOT ON YOUR MODEL | |

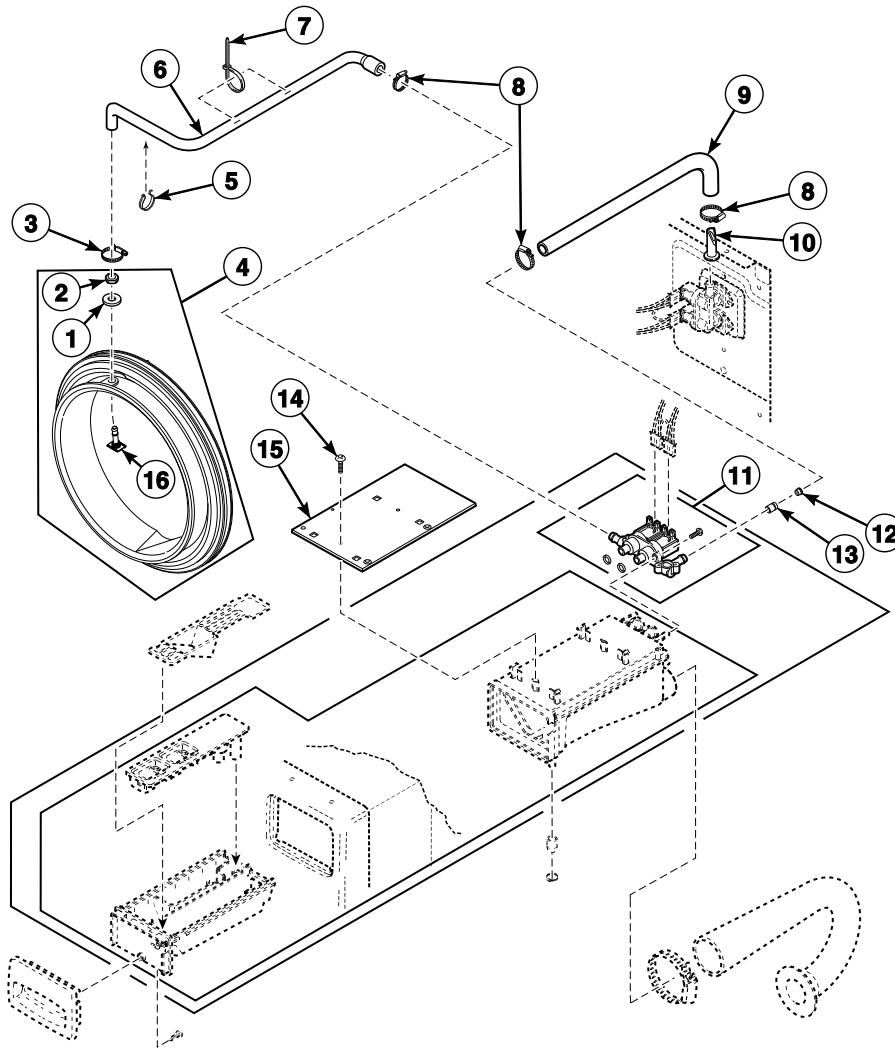
Front Panel and Door Seal (Drawing 3 of 3)



FLW938PD_803401

| Ref | Part | Description | Comments |
|----------|----------|-------------------|----------|
| 1 | 802277QP | NOT ON YOUR MODEL | |
| | 802288P | Front Panel | |
| | 802277G | NOT ON YOUR MODEL | |
| | 802277WP | NOT ON YOUR MODEL | |
| 2 | 800548 | Screw | |

Dispenser Assembly (Drawing 2 of 3)

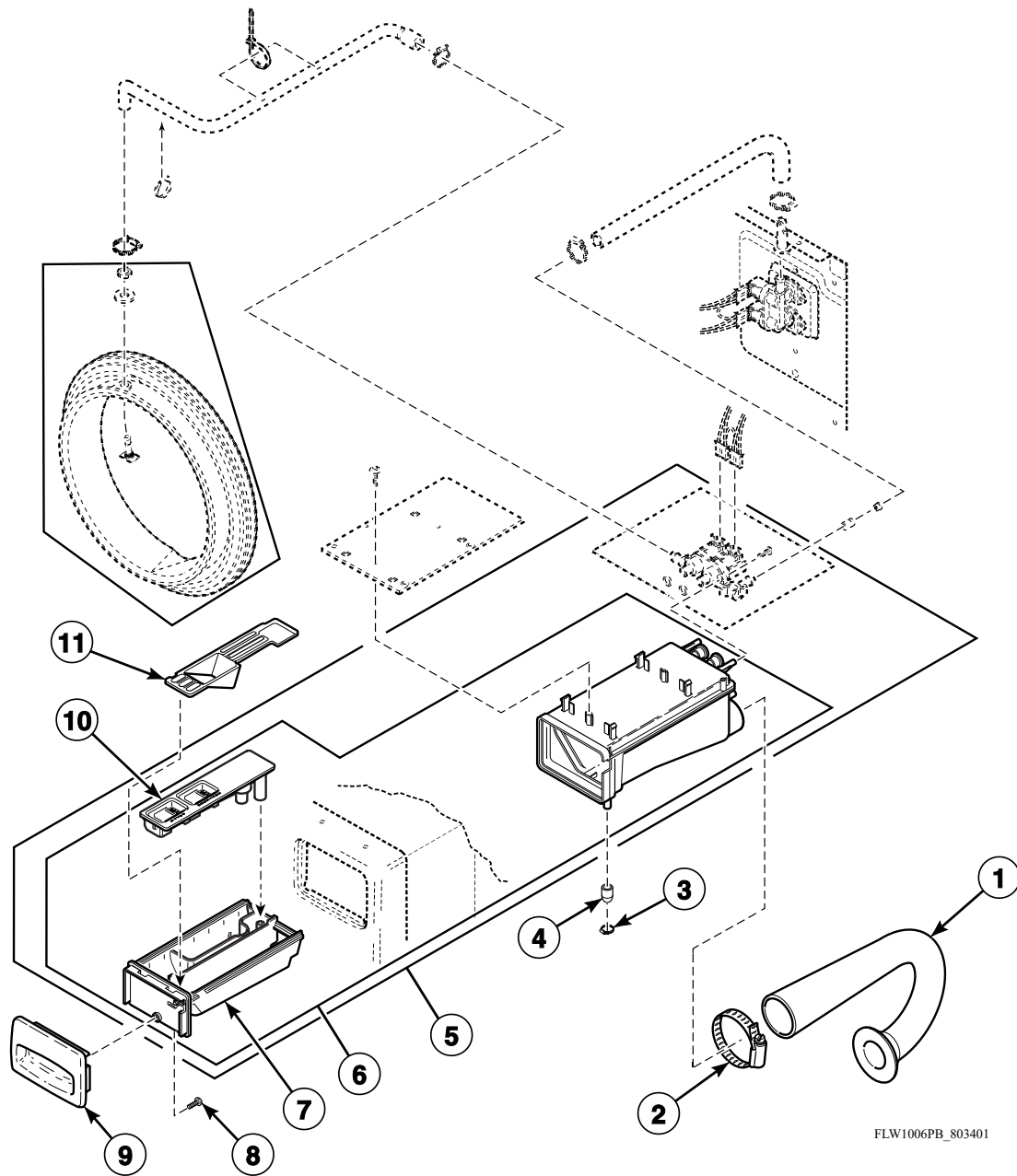


FLW1006PA_803401

| Ref | Part | Description | Comments |
|-----|---------|-------------------------------|-----------------------------------|
| 1 | 802293 | Washer | |
| 2 | 802292 | Nut | |
| 3 | 802698 | Hose Clamp | |
| 4 | 802866P | Door Seal Assembly | Black; Includes items 1, 2 and 16 |
| | 802830P | Door Seal Kit | Gray; Includes items 1, 2 and 16 |
| 5 | 687500 | Wire Clip | |
| 6 | 802256 | Dispenser-to-Door Seal Hose | |
| 7 | 39037 | Cable Tie | |
| 8 | 802164 | Hose Clamp | |
| 9 | 801464 | Valve-to-Dispenser Inlet Hose | |

| Ref | Part | Description | Comments |
|------------|-------------|--------------------|-----------------|
| 10 | 34500 | Backflow Preventer | |
| 11 | 801836P | NOT ON YOUR MODEL | |
| | 685766P | Valve Kit | |
| 12 | 803230 | NOT ON YOUR MODEL | |
| 13 | 803231 | NOT ON YOUR MODEL | |
| 14 | 801001 | Screw | |
| 15 | 801024 | Dispenser Plate | |
| 16 | 802291 | Boot Nozzle | |

Dispenser Assembly (Drawing 3 of 3)

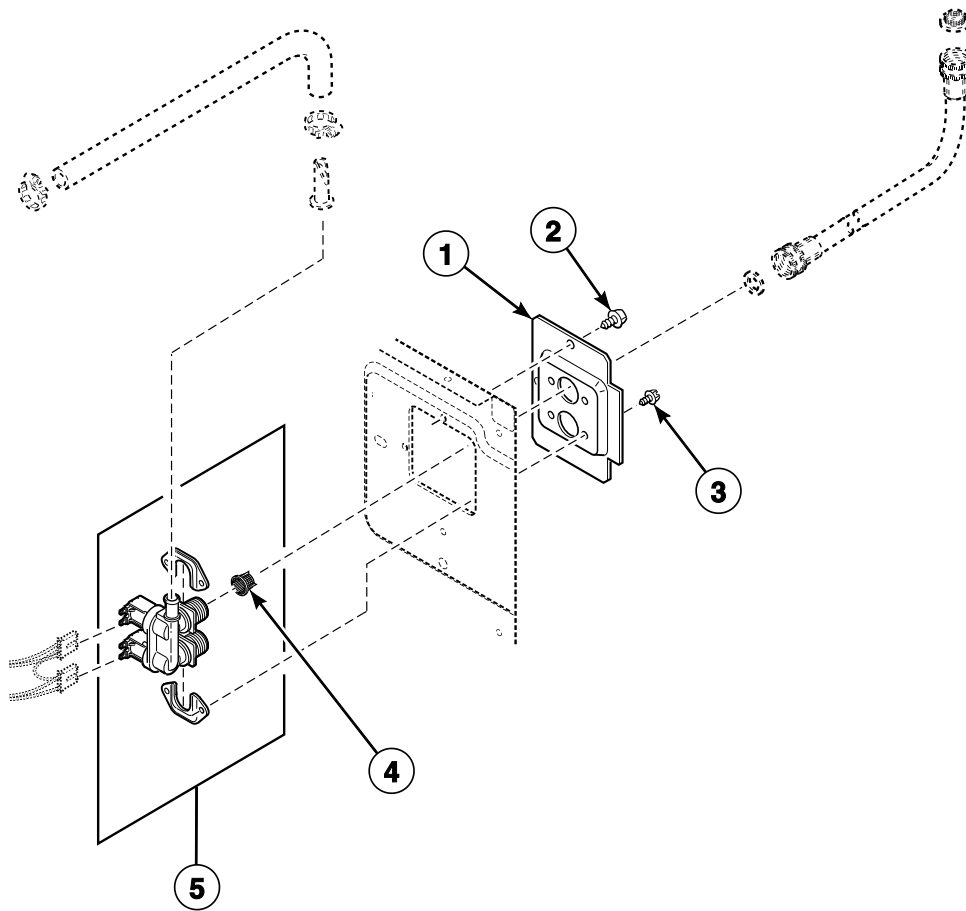


FLW1006PB_803401

| Ref | Part | Description | Comments |
|-----|---------|-----------------------|----------|
| 1 | 800331 | Dispenser-to-Tub Hose | |
| 2 | 685725 | Hose Clamp | |
| 3 | F200206 | Hose Clamp | |
| 4 | 801746 | Cap | |
| 5 | 801090P | NOT ON YOUR MODEL | |

| Ref | Part | Description | Comments |
|------------|-------------|--------------------|---|
| | 685756P | Dispenser | Includes items 6, 9 and item 11 on <i>Dispenser Assembly (Drawing 2 of 3)</i> |
| 6 | 801476P | Dispenser Assembly | Includes items 7 and 10 |
| 7 | 685757P | Dispenser Drawer | |
| 8 | 800548 | Screw | |
| 9 | 685715QP | NOT ON YOUR MODEL | |
| | 803318 | NOT ON YOUR MODEL | |
| | 803329W | NOT ON YOUR MODEL | |
| | 802879P | Dispenser Handle | |
| | 685715WP | NOT ON YOUR MODEL | |
| 10 | 685716 | Insert | |
| 11 | 800899 | Detergent Cover | |

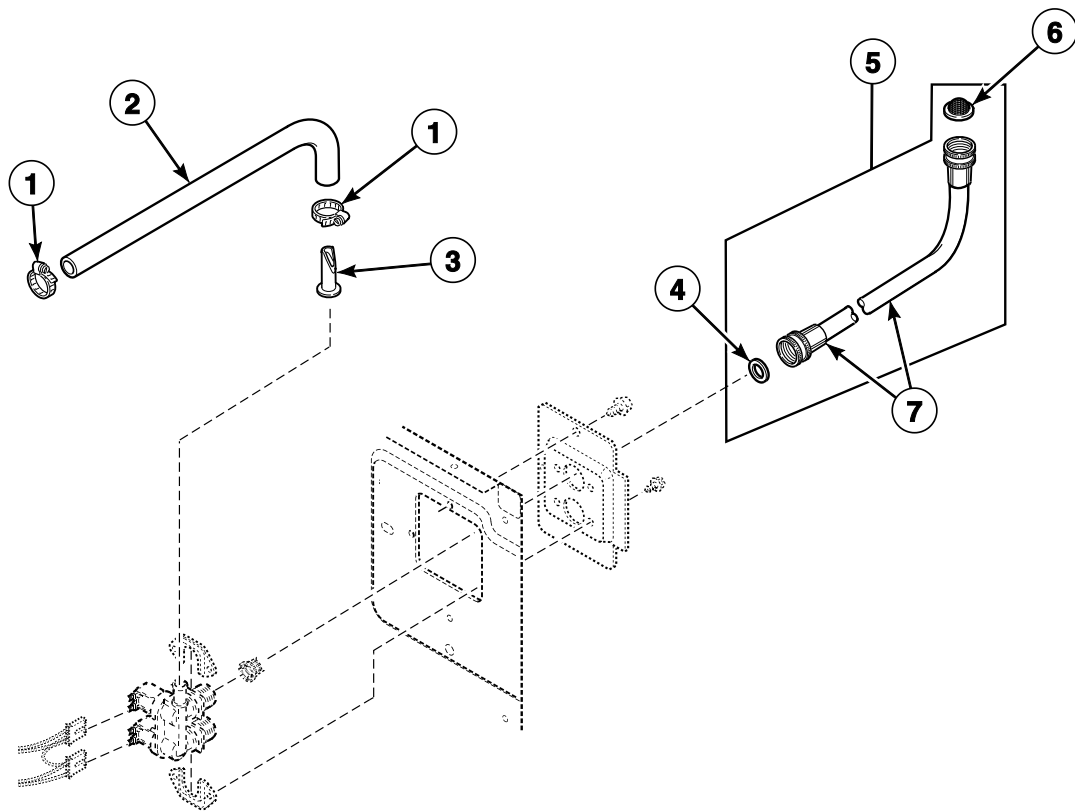
Mixing Valve



FLW881P_803401

| Ref | Part | Description | Comments |
|-----|---------|---------------------|----------|
| 1 | 800323 | Mixing Valve Plate | |
| 2 | D503661 | Screw | |
| 3 | D501086 | Screw | |
| 4 | 802926 | Mixing Valve Screen | |
| 5 | 802222P | NOT ON YOUR MODEL | |
| | 802220P | Mixing Valve | |

Inlet Hose and Dispenser Hose



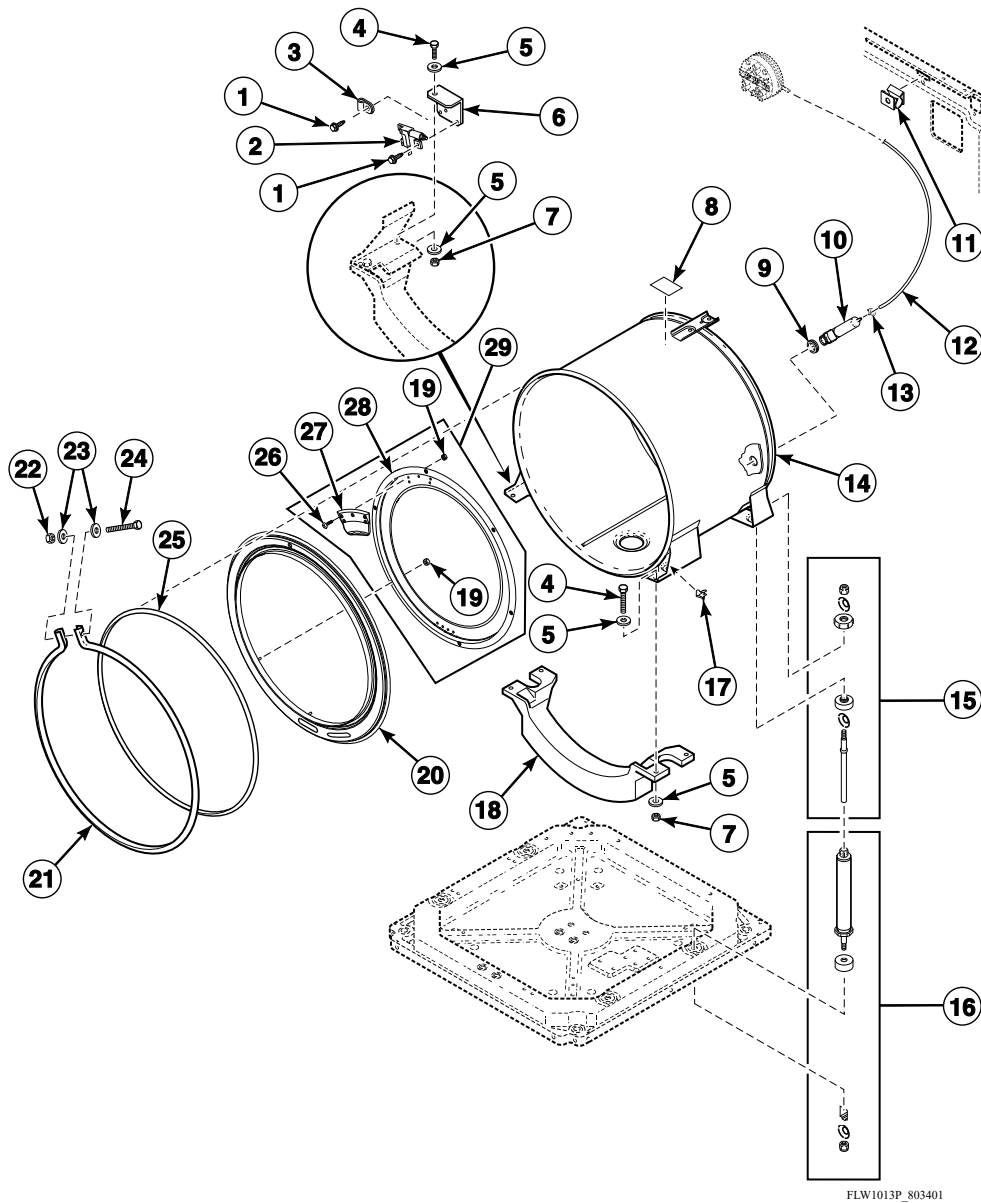
FLW881PA_803401

| Ref | Part | Description | Comments |
|-----|---------|-------------------------------|---|
| 1 | 802164 | Hose Clamp | |
| 2 | 801464 | Valve-to-Dispenser Inlet Hose | |
| 3 | 34500 | Backflow Preventer | |
| 4 | 20290 | Washer | |
| 5 | F200116 | Water Hose | 5 feet; Hose is equipped with 2 standard hose couplings; Includes items 4 and 6 |

| Ref | Part | Description | Comments |
|------------|-------------|--------------------|---|
| | 38349P | Fill Hose Kit | 5 feet; Hose is equipped with 1 metric and 1 standard hose coupling; Includes 2 of item 4 |
| 6 | 803615 | Washer | Filter screen |
| | 802254 | Washer | Flow restrictor; Water pressure reducer; Available for water pressure up to but not exceeding 120 psi |
| 7 | 202800 | NOT ON YOUR MODEL | |
| | 20617 | Fill Hose | 8 feet; Optional; Hose is equipped with 2 standard hose couplings |
| | 20618 | Fill Hose | 10 feet; Optional; Hose is equipped with 2 standard hose couplings |
| | 37380 | Fill Hose | 8 feet; Hose is equipped with 1 metric and 1 standard hose coupling |
| | 37381 | Fill Hose | 10 feet; Hose is equipped with 1 metric and 1 standard hose coupling |

Outer Tub, Clamp Ring and Shock Absorbers

All Models Without Heater

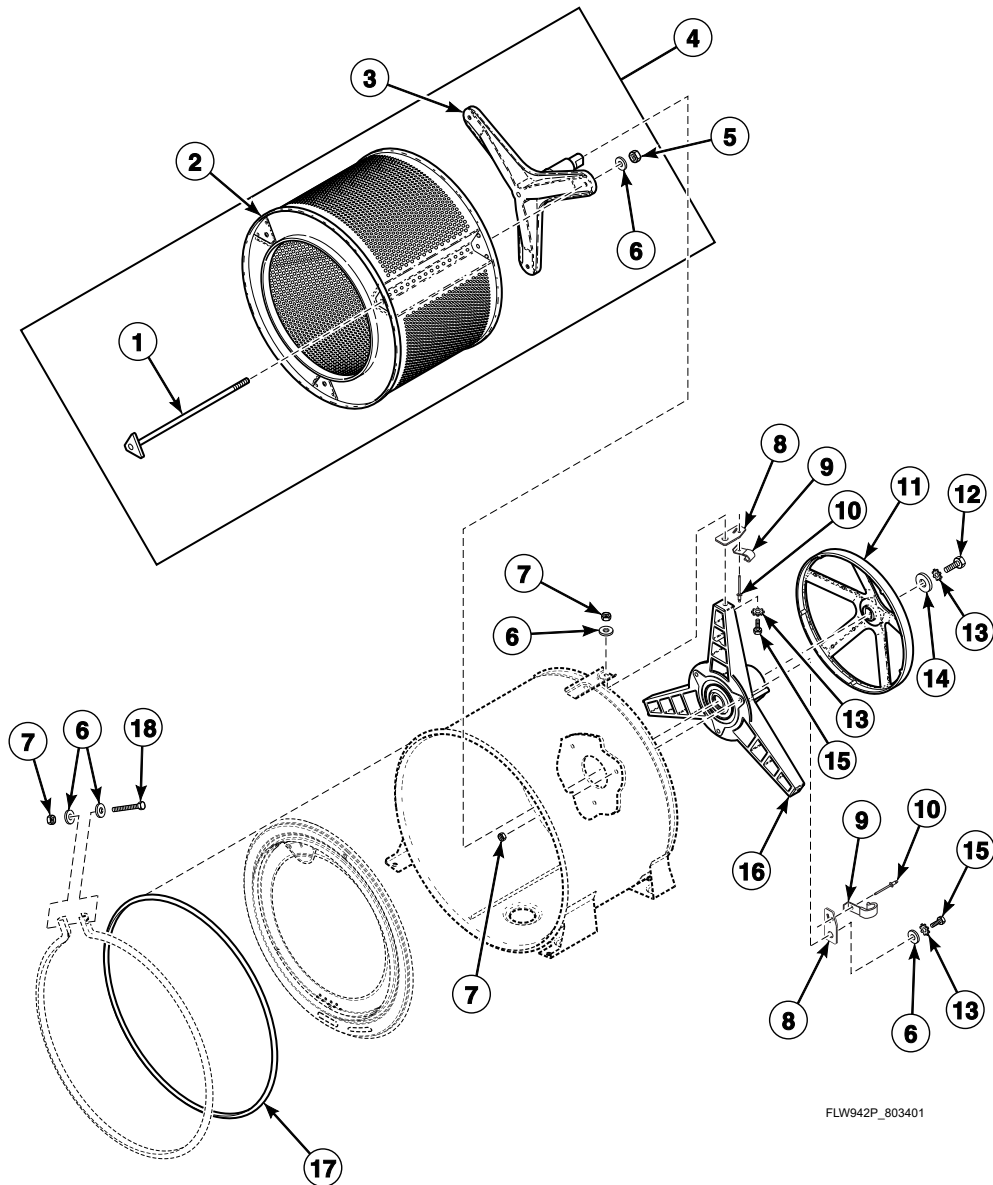


FLW1013P_803401

| Ref | Part | Description | Comments |
|-----|---------|------------------------------------|--|
| 1 | D503661 | Screw | |
| 2 | 806512 | Out-of-Balance Switch Assembly Kit | Models through Serial No. 1106019172 and starting again Serial No. 1106030843 through Serial No. 1201004551 |
| | 803415 | Out-of-Balance Switch Assembly | Models starting Serial No. 1106019173 through Serial No. 1106030842 and starting again Serial No. 1201004552 |
| 3 | 800811 | Wire Clamp | |
| 4 | 800461 | Screw | |
| 5 | M400081 | Washer | |
| 6 | 800663 | Switch Mounting Bracket | Models through Serial No. 1106019172 and starting again Serial No. 1106030843 through Serial No. 1201004551 |

| Ref | Part | Description | Comments |
|------------|-------------|---------------------------------|--|
| | 803388 | Switch Mounting Bracket | Models starting Serial No. 1106019173 through Serial No. 1106030842 and starting again Serial No. 1201004552 |
| 7 | 800452 | Nut | |
| 8 | D500314 | NOT ON YOUR MODEL | |
| | D502511 | NOT ON YOUR MODEL | |
| | F8211201 | NOT ON YOUR MODEL | |
| | D502506 | NOT ON YOUR MODEL | |
| | F8615701 | NOT ON YOUR MODEL | |
| | D500049 | Warning Label | |
| 9 | 29175 | Grommet | |
| 10 | 30907 | Pressure Bulb | |
| 11 | 36985 | NOT ON YOUR MODEL | |
| 12 | 685751 | NOT ON YOUR MODEL | |
| | 33324 | NOT ON YOUR MODEL | |
| | 800648P | Tubing | |
| 13 | 39282 | Hose Clamp | |
| 14 | 801081P | Outer Tub Assembly | |
| 15 | 800622P | Tub Shock Absorber Kit | Upper |
| 16 | 802881P | Base Shock Absorber Kit | Lower; Must replace all 4 |
| 17 | 00161 | Grounding Clip | |
| 18 | 800205 | Ballast Weight | |
| 19 | 802343 | Nut | |
| 20 | 802258 | Tub Front Assembly | |
| 21 | 800312 | Clamp Ring | |
| 22 | F430218 | Nut | |
| 23 | 800457 | Washer | |
| 24 | 800462 | Screw | |
| 25 | 800432P | Tub Front Seal | |
| 26 | 802596 | Screw | |
| 27 | 804174P | Clothes Guard Deflector | |
| 28 | 803537 | Clothes Guard | |
| 29 | 804560P | Clothes Guard and Deflector Kit | Includes items 7, 19 and 23-28 |

Inner Basket, Trunnion, Bearing Housing and Pulley

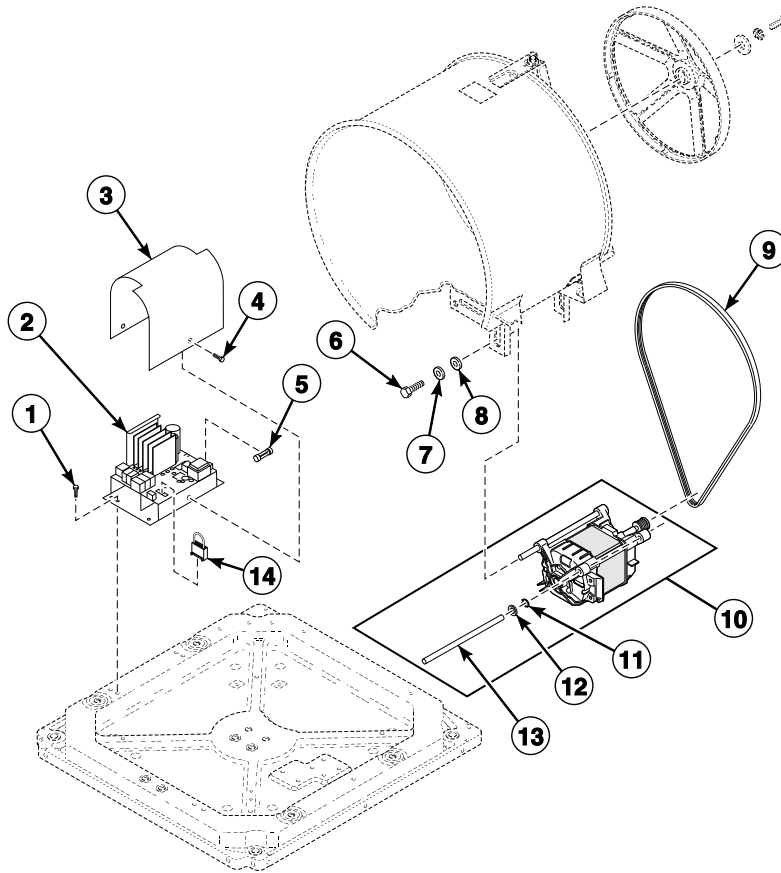


FLW942P_803401

| Ref | Part | Description | Comments |
|-----|----------|---------------------------------|---|
| | 27604P | Anti-Seize Compound | Pulley to inner basket shaft |
| | 838P3 | Hardware Kit | Includes (8) of item 6, (7) each of items 8 and 12, (6) of item 10, (1) each of items 7, 9, 13, 14 and 27604P Anti-Seize Compound |
| | RB160001 | Bearing Kit | |
| 1 | 800666 | Tension Rod Assembly | |
| 2 | 803008P | Inner Basket Assembly | |
| 3 | 800749P | Trunnion Shaft and Hardware Kit | Includes (3) each of items 1, 5, 6 and 838P3 Hardware Kit; If ordering trunnion shaft separately, inner basket and trunnion shaft must be properly aligned to prevent door seal damage. Refer to instructions included in kit |
| 4 | 802365P | Inner Basket Assembly | |

| Ref | Part | Description | Comments |
|------------|-------------|---------------------|---|
| 5 | 803017 | Nut | |
| 6 | 800457 | Washer | |
| 7 | F430218 | Nut | |
| 8 | 800552 | Hose Mounting Plate | |
| 9 | 800553 | Hose Clip | |
| 10 | 685847 | Pop Rivet | |
| 11 | 800866 | Driven Pulley | |
| 12 | 685831 | Screw | Left hand thread |
| 13 | M403958 | Washer | |
| 14 | 807679 | Washer | |
| 15 | M400043 | Screw | |
| 16 | 800428P | Bearing Housing Kit | Includes 838P3 Hardware Kit and bearing |
| 17 | 800432P | Tub Front Seal | |
| 18 | 800462 | Screw | |

Motor and Belt

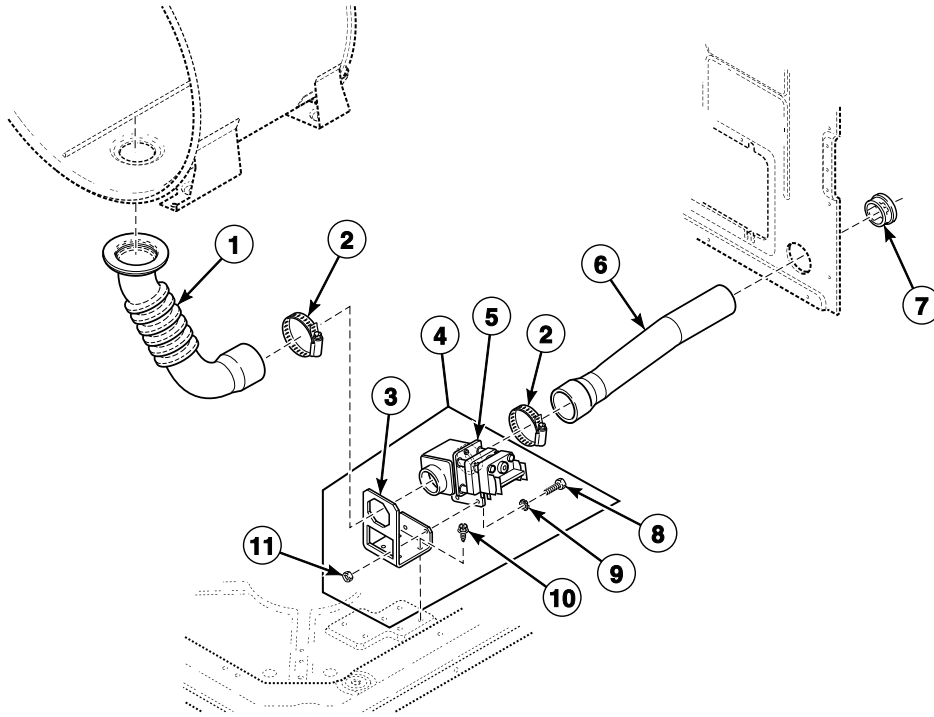


FLW1022P_803401

| Ref | Part | Description | Comments |
|-----|---------|---------------------------|----------|
| 1 | D503661 | Screw | |
| 2 | 803255P | NOT ON YOUR MODEL | |
| | 803254P | Inverter Control Assembly | 120 Volt |
| 3 | 801061 | Control Shield | |
| 4 | D501524 | Screw | |
| 5 | 801755 | Fuse | 10 Amp |
| 6 | M400057 | Screw | |
| 7 | 02834 | Washer | |
| 8 | M400080 | Washer | |
| 9 | 800319P | Drive Belt | |

| Ref | Part | Description | Comments |
|------------|-------------|----------------------------|---|
| 10 | 801684P | Motor and Rod Assembly Kit | Includes 2 each of items 11-13 and wire ties |
| 11 | 23748 | Retaining Ring | |
| 12 | 52549 | Washer | |
| 13 | 801062 | Motor Mount Rod | |
| 14 | D513316 | NOT ON YOUR MODEL | |
| | D513268 | Jumper Harness | Use to limit spin RPM on inverter controls starting Serial No. 0911014603; 120 Volt |

Drain Hoses and Valve

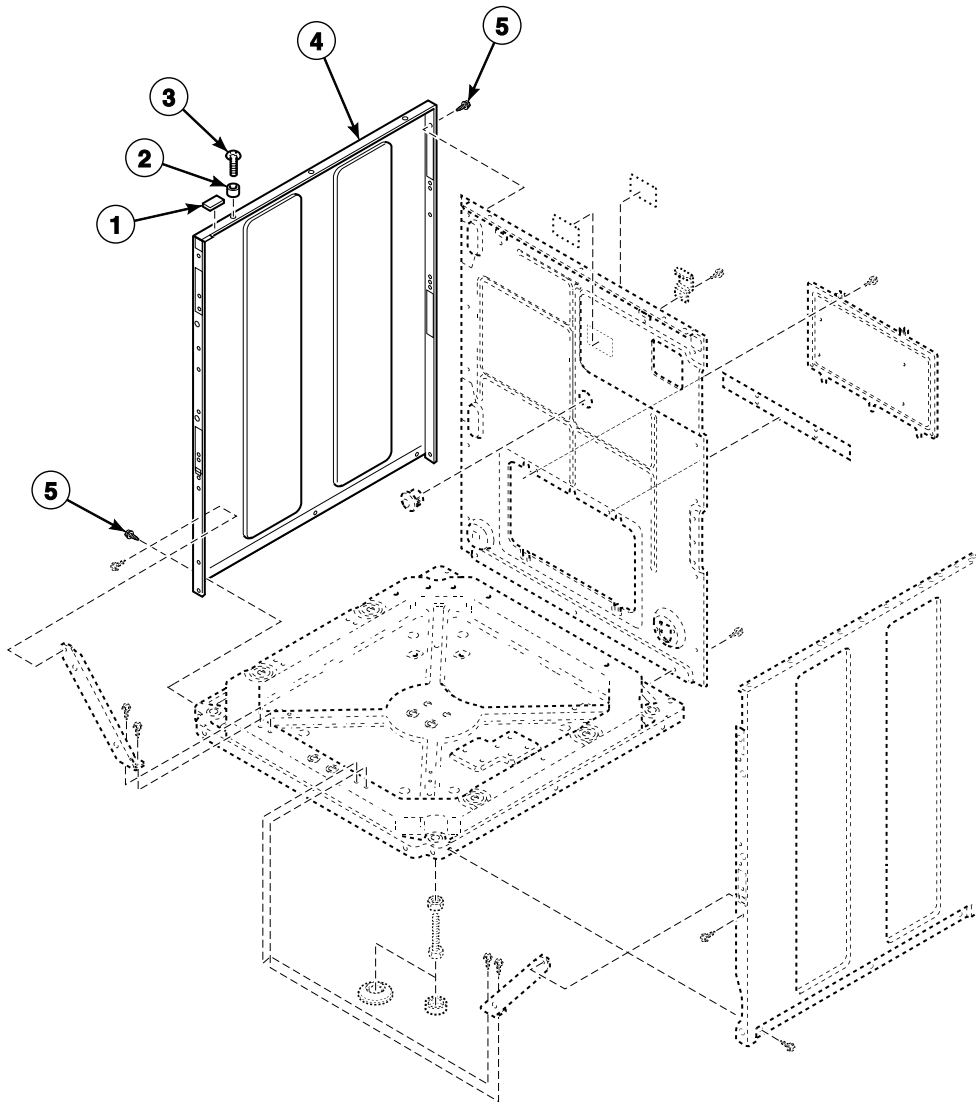


FLW888P_803401

| Ref | Part | Description | Comments |
|-----|---------|-----------------------|--------------------------------|
| 1 | 800902 | Tub-to-Drain Hose | |
| | 27615P | Sealant | Tub-to drain hose to outer tub |
| 2 | 685725 | Hose Clamp | |
| 3 | 803291 | Gravity Drain Bracket | |
| 4 | F975P3 | Drain Valve Kit | Includes items 3, 5 and 8-11 |
| | F976P3 | NOT ON YOUR MODEL | |
| 5 | 803293 | Drain Valve | |
| | 803292 | NOT ON YOUR MODEL | |
| 6 | 800903 | Drain-to-Cabinet Hose | |
| 7 | D503235 | Snap Bushing | |

| Ref | Part | Description | Comments |
|------------|-------------|--------------------|-----------------|
| 8 | 02916 | Screw | |
| 9 | M400017 | Washer | |
| 10 | D503661 | Screw | |
| 11 | 29786 | Nut | |

Side Panels (Drawing 1 of 2)

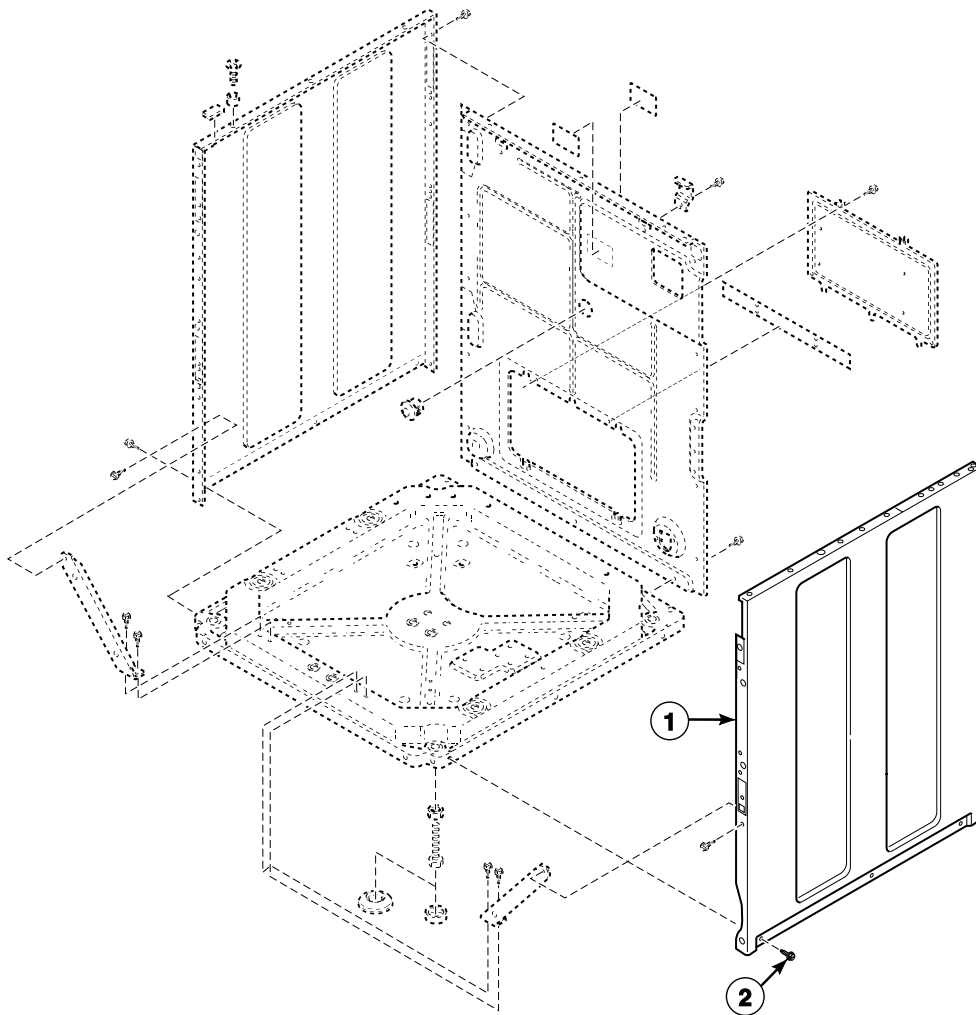


FLW969PB_803401

| Ref | Part | Description | Comments |
|----------|----------|--------------------------|---------------------------------|
| | 122P4P | Porcelain Touch-Up Paint | White |
| | 370P4P | Porcelain Touch-Up Paint | Bisque |
| 1 | 36226 | Bumper Pad | |
| 2 | 56079 | Panel Locator | |
| 3 | D512921 | Screw | Use with stainless steel panels |
| | 39733 | Screw | Use with painted panels |
| 4 | 800004QP | NOT ON YOUR MODEL | |
| | 802525P | Cabinet Side Panel | Left; Stainless steel |
| | 800004G | Side Panel | Left; Gray |
| | 800004WP | NOT ON YOUR MODEL | |

| Ref | Part | Description | Comments |
|------------|-------------|--------------------|-----------------|
| 5 | D503661 | Screw | |

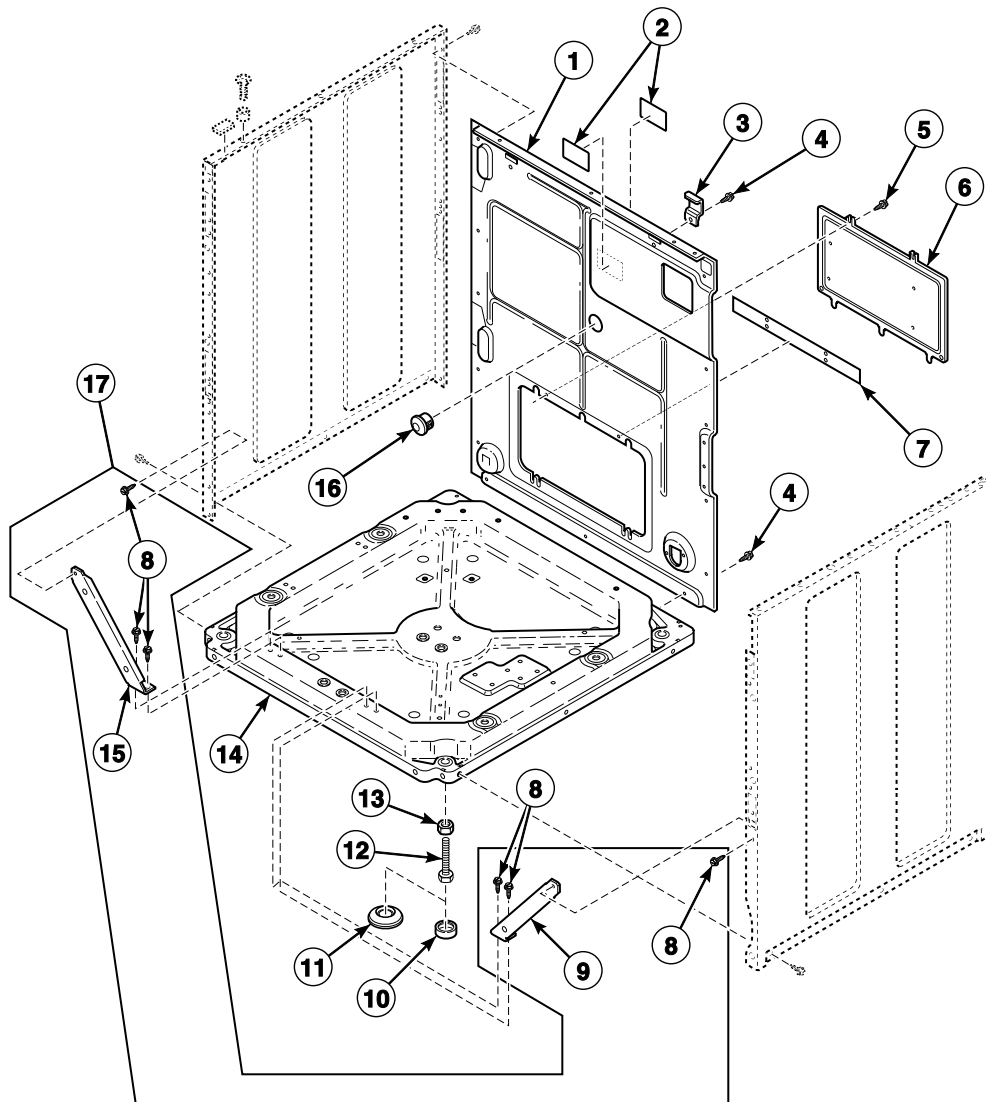
Side Panels (Drawing 2 of 2)



FLW969PC_803401

| Ref | Part | Description | Comments |
|----------|----------|--------------------------|------------------------|
| | 122P4P | Porcelain Touch-Up Paint | White |
| | 370P4P | Porcelain Touch-Up Paint | Bisque |
| 1 | 800005QP | NOT ON YOUR MODEL | |
| | 802526P | Cabinet Side Panel | Right; Stainless steel |
| | 800005G | Side Panel | Right; Gray |
| | 806492 | NOT ON YOUR MODEL | |
| 2 | D503661 | Screw | |

Base and Rear Panel

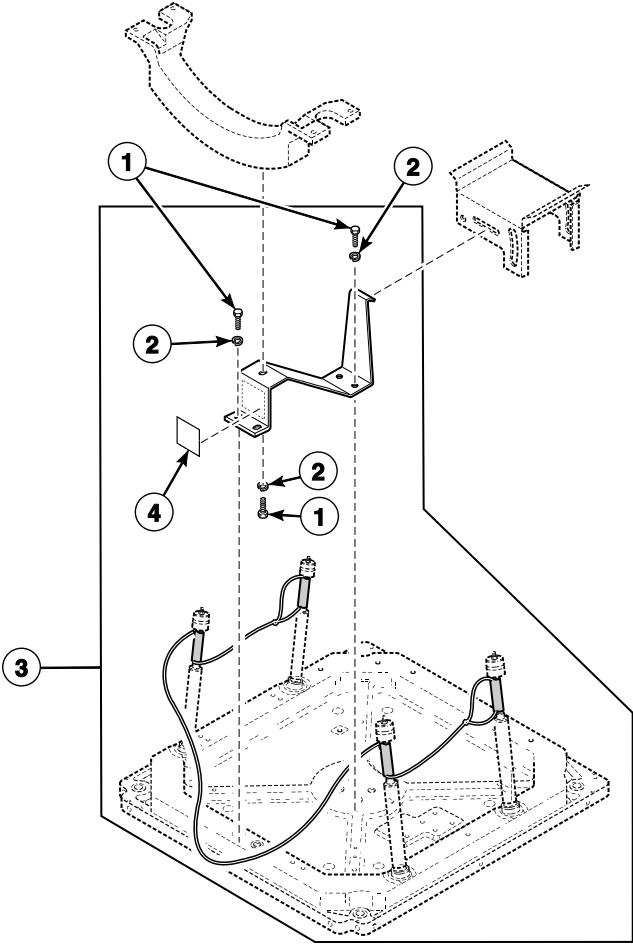


FLW969PA_803401

| Ref | Part | Description | Comments |
|-----|---------|--------------------------|----------|
| 1 | 801216 | Rear Panel | |
| | 801629 | NOT ON YOUR MODEL | |
| | 800010P | NOT ON YOUR MODEL | |
| 2 | 685928 | Left Hand Thread Label | |
| 3 | D510136 | NOT ON YOUR MODEL | |
| 4 | D503661 | Screw | |
| 5 | 430497 | Screw | |
| 6 | 800011 | Rear Access Panel | |
| 7 | 801702 | Motor Access Hole Edging | |
| 8 | 31645 | Screw | |

| Ref | Part | Description | Comments |
|------------|-------------|-----------------------------|---|
| 9 | 801492 | Cabinet Brace | Right |
| 10 | 34318 | Rubber Foot | |
| 11 | 155P3 | Anchor | Includes 4 rubber discs with adhesive backing |
| | 802844P | Anchor Floor Mount Assembly | Includes 2 rubber discs with adhesive backing |
| 12 | 34319 | Leveling Leg | |
| 13 | 21899 | Nut | |
| 14 | 803876 | Base Assembly | |
| 15 | 801491 | Cabinet Brace | Left |
| 16 | M412154 | Hole Plug | |
| 17 | 918P3 | Brace Kit | Includes items 8, 9 and 15 |

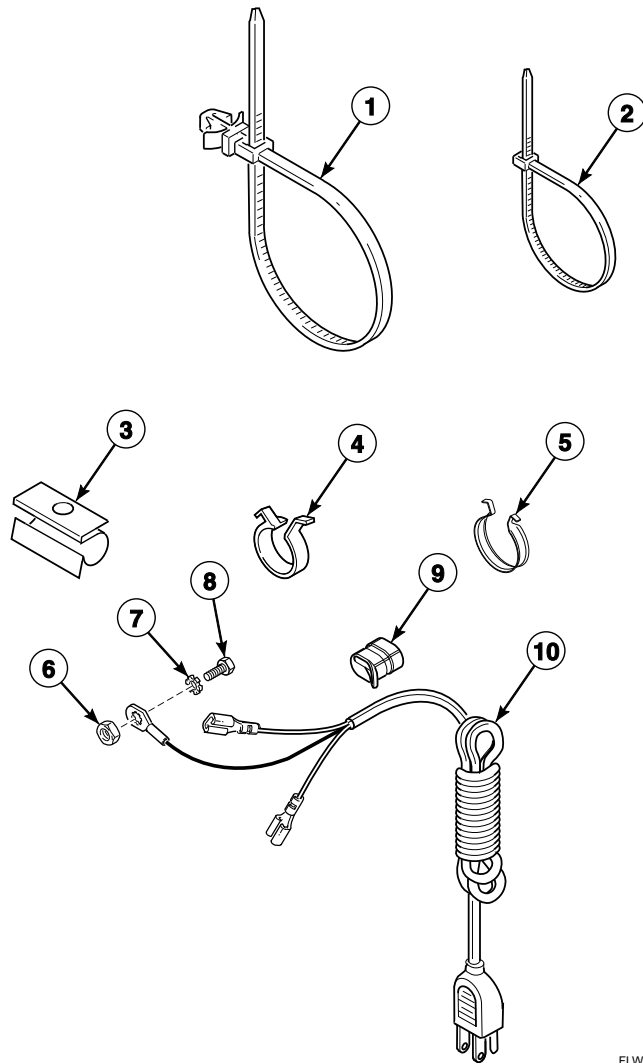
Shipping Materials



FLW1030P_803401

| Ref | Part | Description | Comments |
|-----|---------|------------------------|--|
| 1 | M400043 | Screw | |
| 2 | M400014 | Washer | |
| 3 | 930P3 | Shipping Materials Kit | Includes items 1, 2, 4, shipping bracket, shipping cord and brace assembly |
| 4 | 807552 | Shipping Bracket Label | |

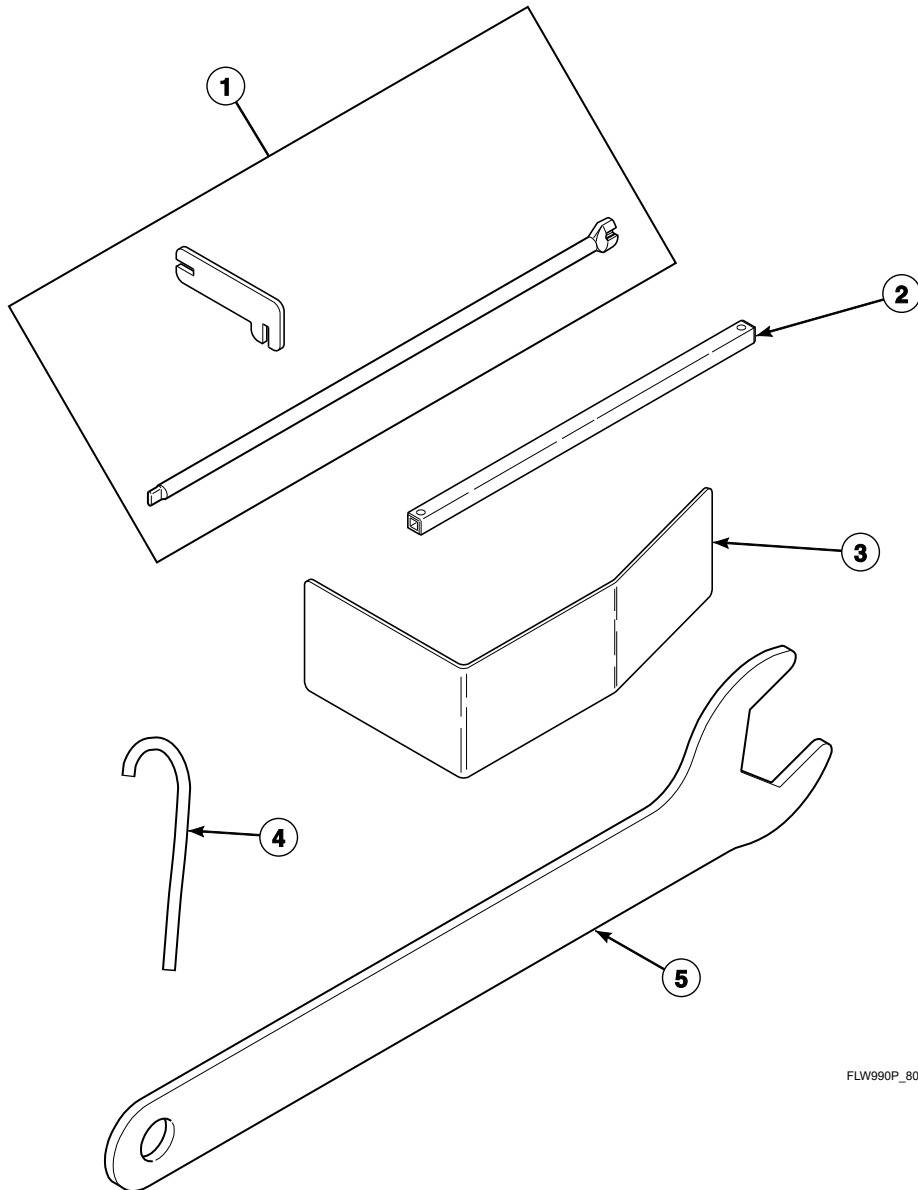
Wire Ties, Harness Clips and Lead-In Cord



FLW823P_803401

| Ref | Part | Description | Comments |
|-----|---------|---------------|----------|
| 1 | 38663 | Wire Tie | |
| 2 | 55881 | Harness Strap | |
| 3 | 36985 | Hose Clip | |
| 4 | D504034 | Wire Clip | Small |
| 5 | 687500 | Wire Clip | Large |
| 6 | 03673 | Nut | |
| 7 | 03815 | Washer | |
| 8 | 20530 | Screw | |
| 9 | 38384 | Strain Relief | |
| 10 | 34458 | Lead-In Cord | |

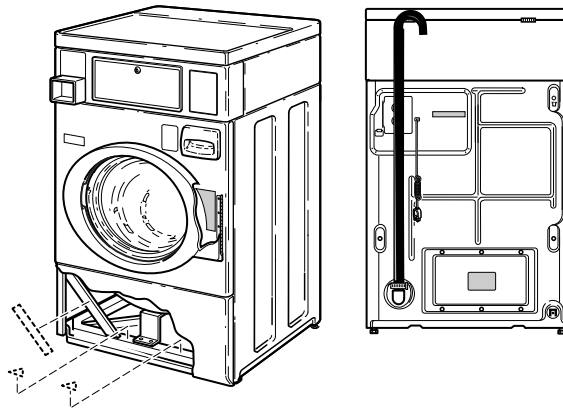
Special Tools



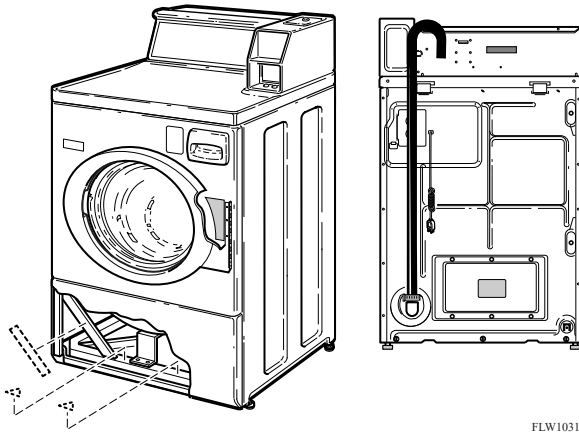
FLW990P_803401

| Ref | Part | Description | Comments |
|-----|--------|--------------------------------|---|
| 1 | CK096 | Mounting Tool Kit | Use to install and remove electronic coin drop kits |
| 2 | 310P4 | Ratchet Extension Tool | 1/4 inch; Use to install and remove non-electronic coin drops |
| 3 | 318P4 | Dispenser Drawer Tool | Use to remove dispenser drawer |
| 4 | 802336 | Pulley Bolt Tightening Fixture | Use to install inner basket |
| 5 | 392P4 | Wrench | Use for leveling leg locknuts |

Option Labels



Front Control Washers

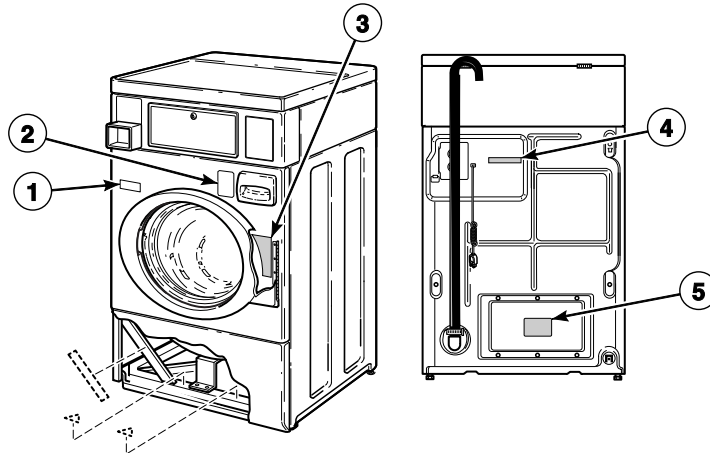


FLW1031PB_803401

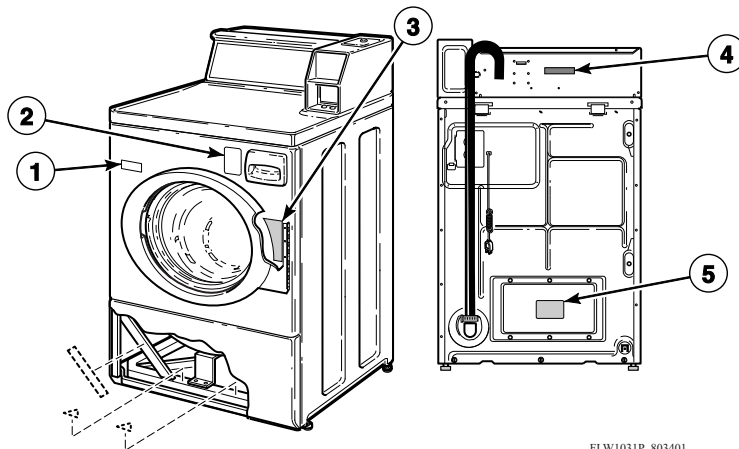
Rear Control Washers

| Ref | Part | Description | Comments |
|--------|------|-------------------|----------|
| 803608 | | Option Label | |
| 803609 | | NOT ON YOUR MODEL | |

Labels (Drawing 1 of 3)



Front Control Washers

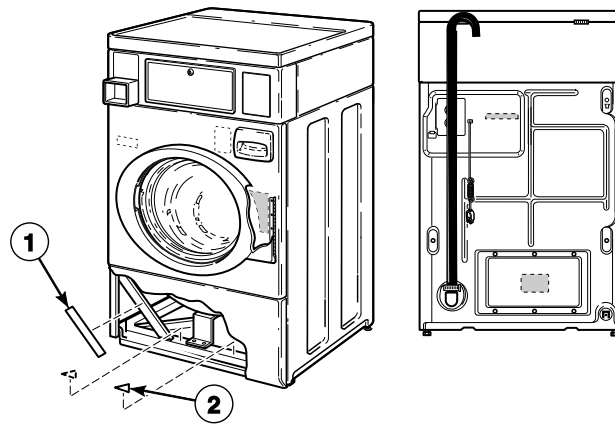


FLW1031P_803401

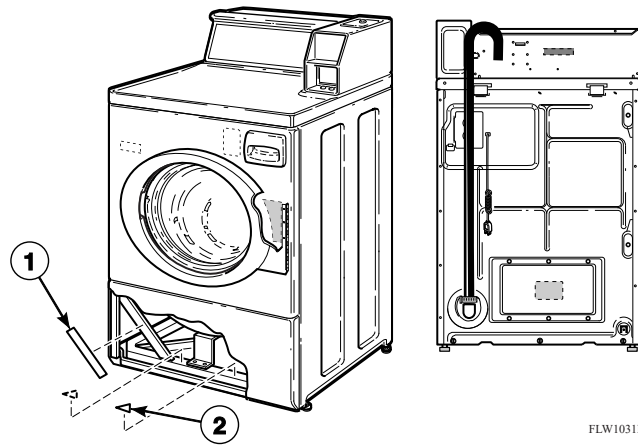
Rear Control Washers

| Ref | Part | Description | Comments |
|-----|---------|--------------------------------|---------------|
| 1 | 803011 | Notice Label | |
| 2 | 802074 | Oversudsing Label | English |
| | 802838 | Oversudsing Label | Spanish |
| | 802839 | Oversudsing Label | Quebec French |
| 3 | 802367 | Warning Label | |
| 4 | D505281 | Disconnect Power Warning Label | English |
| | D502511 | Electrical Shock Label | Icon |
| 5 | D500049 | Warning Label | English |
| | D500314 | Warning Label | Quebec French |
| | D502511 | Electrical Shock Label | Icon |

Labels (Drawing 2 of 3)



Front Control Washers

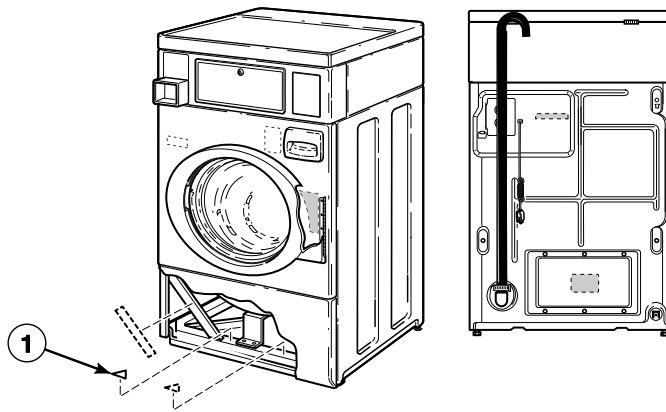


FLW1031PA_803401

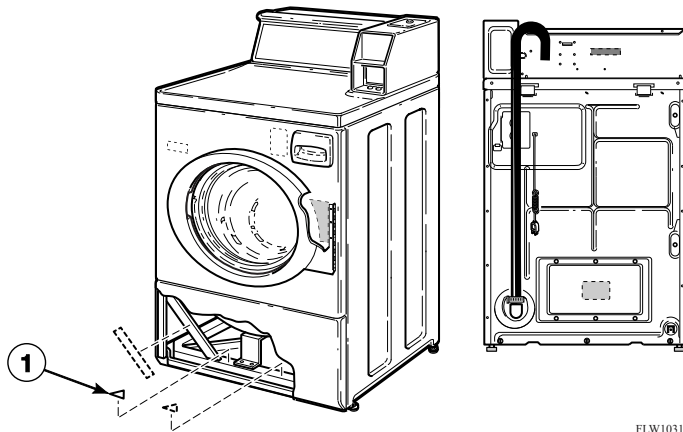
Rear Control Washers

| Ref | Part | Description | Comments |
|-----|----------|-------------------|----------|
| 1 | 803522 | Warning Label | |
| 2 | F8615701 | NOT ON YOUR MODEL | |

Labels (Drawing 3 of 3)



Front Control Washers

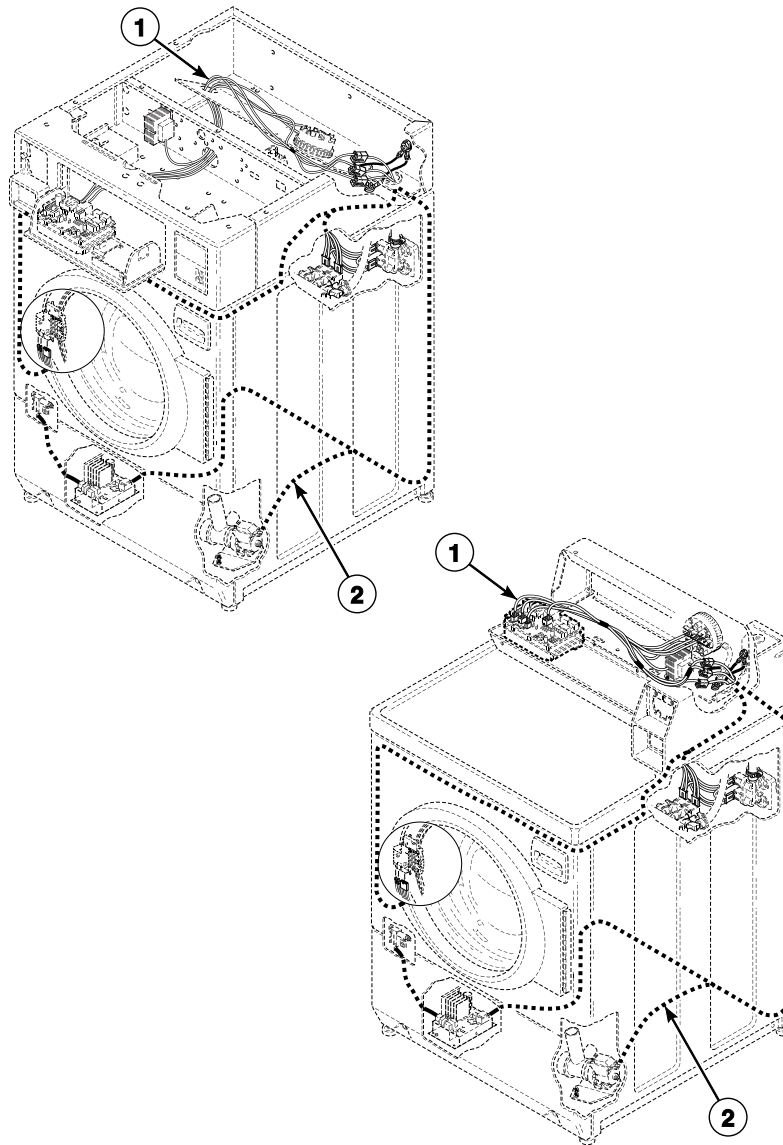


FLW1031PC_803401

Rear Control Washers

| Ref | Part | Description | Comments |
|-----|----------|-------------------|----------|
| 1 | F8211201 | NOT ON YOUR MODEL | |

Wire Harnesses and Wires



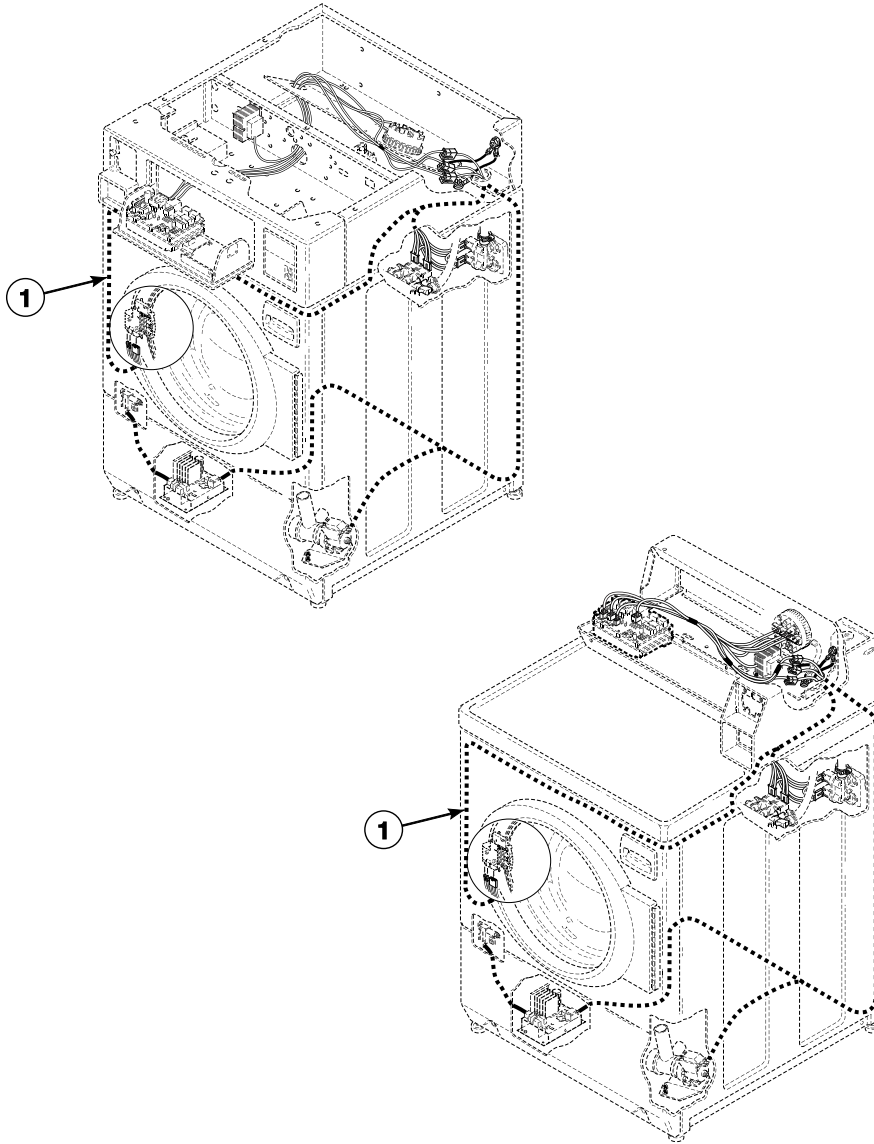
FLW945P_803401

| Ref | Part | Description | Comments |
|----------|---------|------------------------|---|
| | 45001 | 18 Gauge Wire | Black; Order wire by foot and terminals and connectors as required |
| | 45380 | 12 Gauge Wire | Orange; Order wire by foot and terminals and connectors as required |
| 1 | 802906P | NOT ON YOUR MODEL | |
| | 803312 | NOT ON YOUR MODEL | |
| | 803313 | NOT ON YOUR MODEL | |
| | 803108P | NOT ON YOUR MODEL | |
| | 804456 | NOT ON YOUR MODEL | |
| | 803107 | Harness Assembly | |
| 2 | 802274P | Motor Harness Assembly | Models through Serial No. 1106019172 and starting again Serial No. 1106030843 through Serial No. 1201004551 |

| Ref | Part | Description | Comments |
|------------|-------------|------------------------|--|
| 803581 | | Motor Harness Assembly | Models starting Serial No. 1106019173 through Serial No. 1106030842 and starting again Serial No. 1201004552 |

NOTE: Individual wires are not available separately. Order complete harness, or order wire by the foot. When applying terminals to wires, it is recommended that the terminals be soldered to the wires.

Base Base Harness



FLW945PA_803401

| Ref | Part | Description | Comments |
|----------|---------|-----------------------|---|
| | 45001 | 18 Gauge Wire | Black; Order wire by foot and terminals and connectors as required |
| | 45380 | 12 Gauge Wire | Orange; Order wire by foot and terminals and connectors as required |
| 1 | 802833P | NOT ON YOUR MODEL | |
| | 802834P | NOT ON YOUR MODEL | |
| | 803470 | NOT ON YOUR MODEL | |
| | 802831P | Base Harness Assembly | |

NOTE: Individual wires are not available separately. Order complete harness, or order wire by the foot. When applying terminals to wires, it is recommended that the terminals be soldered to the wires.

