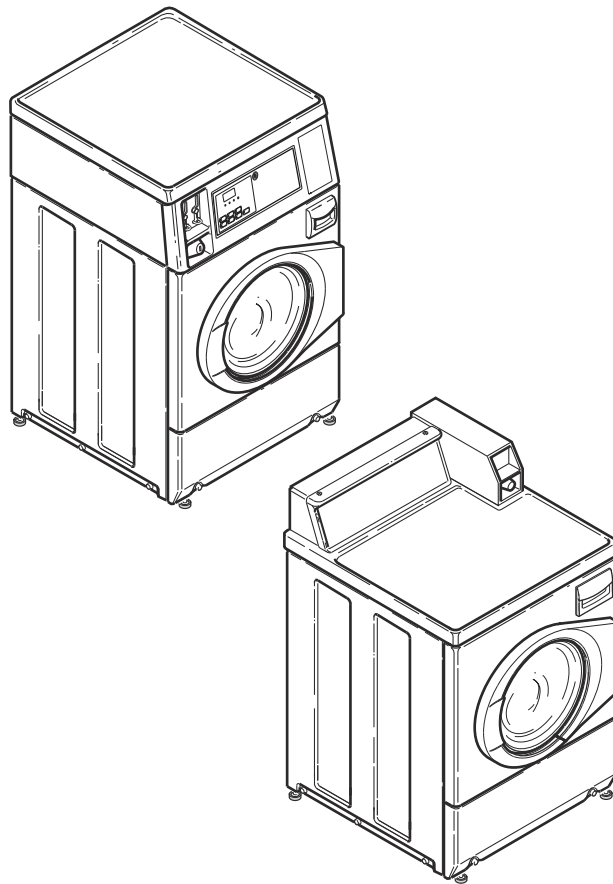


# Commercial Frontload Washers

Refer to Page 3 for Model Numbers



FLW1550C\_807224



# Table of Contents

Title	Page
Parts Ordering Information.....	2
Serial Plate Location .....	2
Model Identification .....	3
Control Panel and Controls (Drawing 1 of 3) .....	4
Control Panel and Controls (Drawing 2 of 3) .....	6
Control Panel and Controls (Drawing 3 of 3) .....	8
Top Assembly .....	10
Network Board Assembly.....	12
Control Cabinet .....	14
Non-Electronic Coin Drop, Cabinet Front and Wrapper Assembly .....	16
Electronic Coin Drop .....	18
Control Cabinet Controls - Front Control Card Reader Ready Models.....	20
Control Cabinet - 45 Degree Front Control Models (Drawing 1 of 2).....	22
Control Cabinet - 45 Degree Front Control Models (Drawing 2 of 2).....	24
Coin Drop, Meter Case and Cabinet Top.....	26
Control Panel, Control Hood and Controls (Drawing 1 of 2) .....	28
Control Panel, Control Hood and Controls (Drawing 2 of 2) .....	30
Front Panel, Door Assembly and Door Seal .....	32
Front Panel Assembly .....	34
Dispenser Assembly .....	36
Mixing Valve, Dispenser Hose and Fill Hose .....	38
Outer Tub, Clamp Ring and Shock Absorbers.....	40
Inner Basket, Trunnion, Bearing Housing and Pulley .....	42
Motor and Belt.....	44
Drain Hoses and Valve .....	46
Drain Hose and Pump.....	48
Side, Base and Rear Panels.....	50
Junction Box .....	52
Shipping Materials .....	54
Wire Ties, Harness Clips and Lead-In Cord.....	56
Special Tools .....	58
Washer Labels .....	60
Wire Harnesses and Wires .....	62
Parts Index.....	65

© Copyright 2021, Alliance Laundry Systems LLC

All rights reserved. No part of the contents of this book may be reproduced or transmitted in any form or by any means without the expressed written consent of the publisher.

## Parts Ordering Information

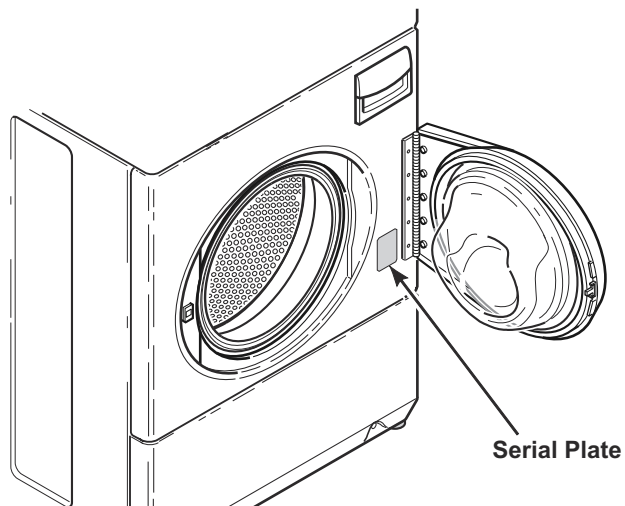
If literature or replacement parts are required, contact the source from whom the machine was purchased or contact Alliance Laundry Systems at (920) 748-3950 for the name and address of the nearest authorized parts distributor.

For technical assistance, call the number listed below:

(920) 748-3121 Ripon, Wisconsin

## Serial Plate Location

When calling or writing about your product, be sure to mention model and serial numbers. Model and serial numbers are located on serial plate(s) as shown.



FLW2407N\_807224

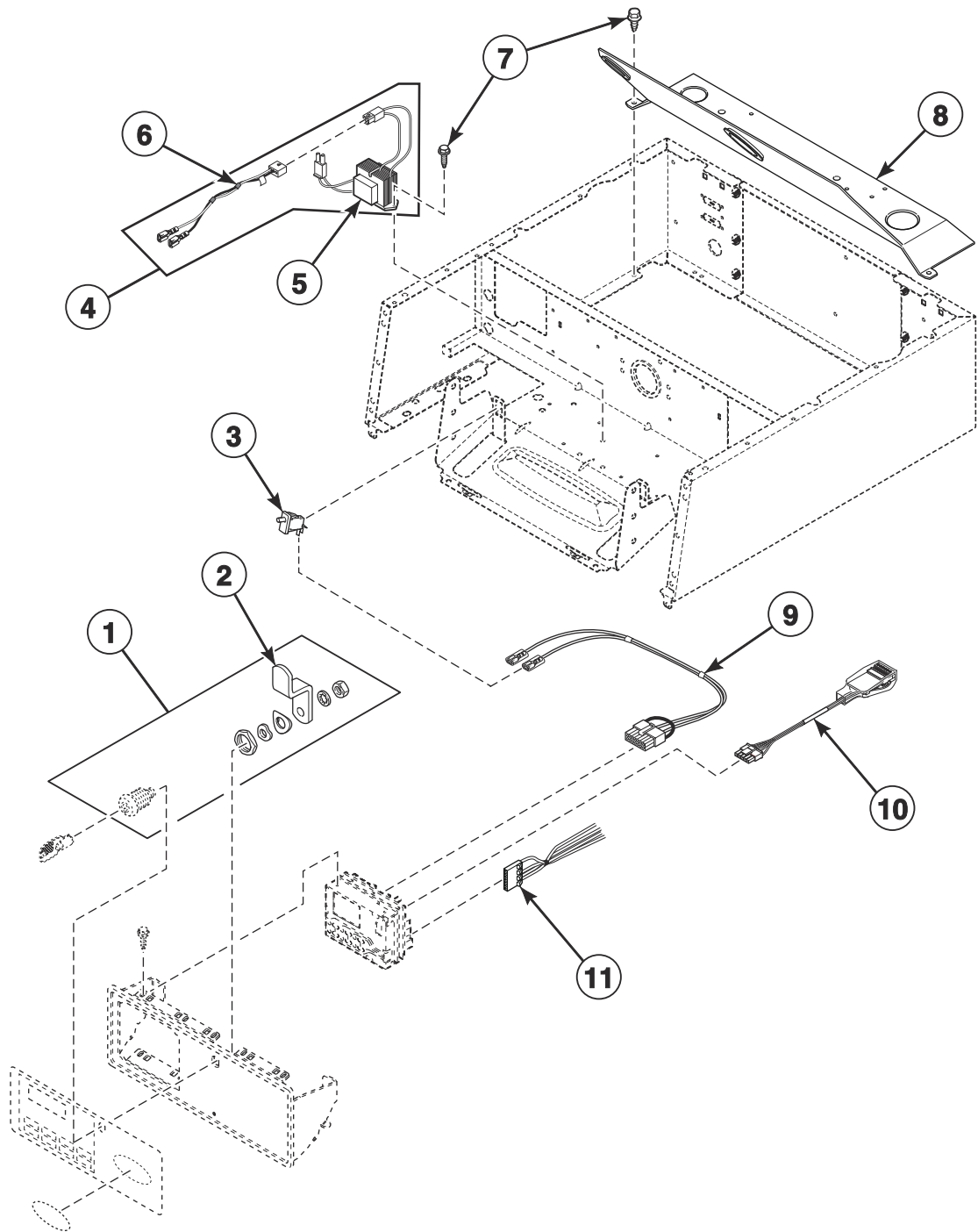
## Model Identification

Information in this manual is applicable to these washer models:

HFNNEASP113CW01	SFNNCAJP113TW01	SFNNXRSP113CW02
HFNNEASP115CW01	SFNNCAJP115TW01	SFNNXRSP113TW02
HFNNERSP113CW01	SFNNCASG113TN01	SFNNXRSP115CW02
HFNNERSP115CW01	SFNNCASG113TQ01	SFNNXRSP115TW02
HFNNXASP113CN01	SFNNCASG113TW01	SFNNYAJP113TW01
HFNNXASP113CW01	SFNNCASG115TN01	SFNNYAJP115TW01
HFNNXASP115CN01	SFNNCASG115TQ01	SFNNYASG113TN01
HFNNXASP115CW01	SFNNCASG115TW01	SFNNYASG113TW01
HFNNXRSP113CW01	SFNNCASP113TN01	SFNNYASG115TN01
HFNNYASP113CW01	SFNNCASP113TQ01	SFNNYASG115TW01
HFNNYBSP113CW01	SFNNCASP113TW01	SFNNYASP113CW01
HFNNYRSP113CW01	SFNNCASP115TN01	SFNNYASP113TN01
PFNJCASG114TG01	SFNNCASP115TQ01	SFNNYASP113TW01
PFNJCASG114TN01	SFNNCASP115TW01	SFNNYASP115CW01
PFNJCASG115TG01	SFNNCRSP113TW01	SFNNYASP115TN01
PFNJCASG115TN01	SFNNCRSP113TW02	SFNNYASP115TW01
PFNJCASG115TW01	SFNNCRSP115TW02	SFNNYBSP113TN01
PFNJCASP114TG01	SFNNNEASG113CN01	SFNNYBSP113TW01
PFNJCASP114TN01	SFNNNEASG113CW01	SFNNYBSP115TN01
PFNJCASP115TG01	SFNNNEASG115CN01	SFNNYBSP115TW01
PFNJCASP115TN01	SFNNNEASG115CW01	SFNNYRSP113TW01
PFNJCASP115TW01	SFNNNEASP113CW01	SFNNYRSP115TW01
PFNJEASG114CG01	SFNNNEASP115CW01	SFNWCASG113TN01
PFNJEASG114CN01	SFNNERSP113CW02	SFNWCASG115TN01
PFNJEASG115CG01	SFNNERSP115CW02	SFNWCASP113TN01
PFNJEASG115CN01	SFNNXAJP113CN01	SFNWCASP115TN01
PFNJEASG115CW01	SFNNXAJP115CN01	SFNWCASP115TW41
PFNJEASP114CG01	SFNNXASG113TW01	SFNWCRSP115TW42
PFNJEASP114CN01	SFNNXASG115TW01	SFNWXASP113TW01
PFNJEASP115CG01	SFNNXASP113CN01	SFNWXASP115TW01
PFNJEASP115CN01	SFNNXASP113CW01	SFNWXRSP113TW02
PFNJEASP115CW01	SFNNXASP113TN01	SFNWXRSP115TW02
PFNJXASG114CG01	SFNNXASP113TW01	SFNWYASG113TN01
PFNJXASG114CN01	SFNNXASP115CN01	SFNWYASG115TN01
PFNJXASG114TG01	SFNNXASP115CW01	SFNWYASP113TN01
PFNJXASG114TN01	SFNNXASP115TN01	SFNWYASP113TW01
PFNJXASG115CG01	SFNNXASP115TW01	SFNWYASP115TN01
PFNJXASG115CN01		SFNWYASP115TW01
PFNJXASG115CW01		SFNWYASP115TW41
PFNJXASG115TG01		SFNWYRSP113TW01
PFNJXASG115TN01		SFNWYRSP115TW01
PFNJXASG115TW01		SFNWYRSP115TW41
PFNJXASP114CG01		UFNBGBSP115TW81
PFNJXASP114TG01		
PFNJXASP115CG01		
PFNJXASP115CW01		
PFNJXASP115TG01		
PFNJXASP115TW01		

# Control Panel and Controls (Drawing 1 of 3)

10 Degree Front Control Models



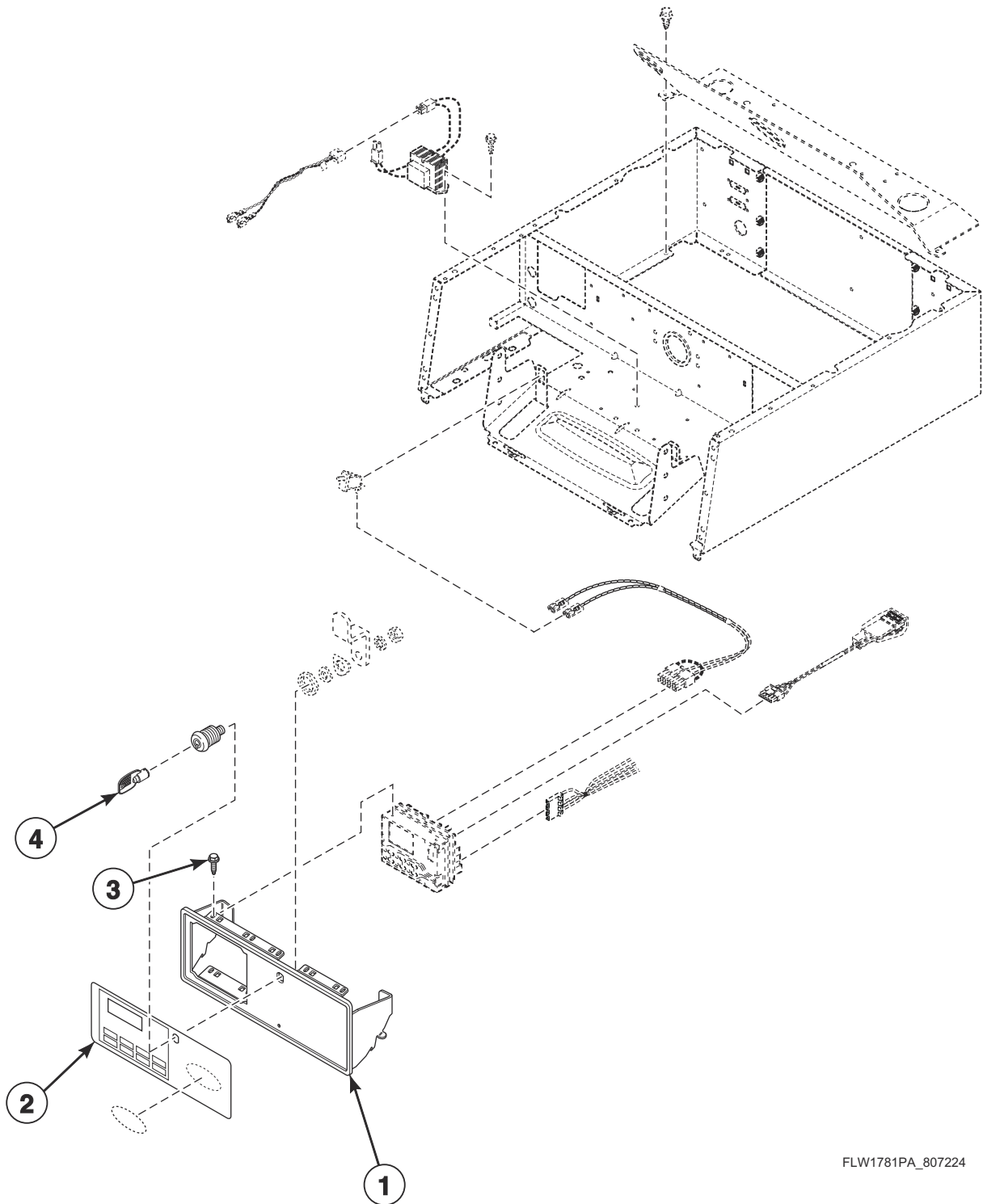
FLW1781P\_807224

## Control Panel and Controls (Drawing 1 of 3)

REF	PART NO.	DESCRIPTION	COMMENTS
	203328	Network Retrofit Kit	Wired
	NK220	Network Controller Kit	Wired
	203889	Wireless Network Kit	
	NK320	Ethernet Gateway Kit	Wireless
	203346	USB IR Interface Kit	
	NK330	USB Gateway Kit	Wireless
	205067	Payment Center Kit	Includes printer; Models SFNNCAJP113TW01, SFNNCAJP115TW01, SFNNCASG113TN01, SFNNCASG113TQ01, SFNNCASG113TW01, SFNNCASG115TN01, SFNNCASG115TQ01, SFNNCASG115TW01, SFNNCASP113TN01, SFNNCASP113TQ01, SFNNCASP113TW01, SFNNCASP115TN01, SFNNCASP115TQ01, SFNNCASP115TW01, SFNNEASG113CN01, SFNNEASG113CW01, SFNNEASG115CN01, SFNNEASG115CW01, SFNNEASP113CW01, SFNNEASP115CW01, SFNNXAJP113CN01, SFNNXAJP115CN01, SFNNXASG113TW01, SFNNXASG115TW01, SFNNXASP113CN01, SFNNXASP113CW01, SFNNXASP113TN01, SFNNXASP113TW01, SFNNXASP115CN01, SFNNXASP115CW01, SFNNXASP115TN01, SFNNXASP115TW01, SFNNYAJP113TW01, SFNNYAJP115TW01, SFNNYASG113TN01, SFNNYASG113TW01, SFNNYASG115TN01, SFNNYASG115TW01, SFNNYASP113CW01, SFNNYASP113TN01, SFNNYASP113TW01, SFNNYASP115CW01, SFNNYASP115TN01, SFNNYASP115TW01, SFNWCASG113TN01, SFNWCASG115TN01, SFNWCASP113TN01, SFNWCASP115TN01, SFNWCASP115TW41, SFNWXASP113TW01, SFNWXASP115TW01, SFNXYASG113TN01, SFNXYASG115TN01, SFNXYASP113TN01, SFNXYASP113TW01, SFNXYASP115TN01, SFNXYASP115TW01 and SFNXYASP115TW41
	205068	Payment Center Kit	Models SFNNCAJP113TW01, SFNNCAJP115TW01, SFNNCASG113TN01, SFNNCASG113TQ01, SFNNCASG113TW01, SFNNCASG115TN01, SFNNCASG115TQ01, SFNNCASG115TW01, SFNNCASP113TN01, SFNNCASP113TQ01, SFNNCASP113TW01, SFNNCASP115TN01, SFNNCASP115TQ01, SFNNCASP115TW01, SFNNEASG113CN01, SFNNEASG113CW01, SFNNEASG115CN01, SFNNEASG115CW01, SFNNEASP113CW01, SFNNEASP115CW01, SFNNXAJP113CN01, SFNNXAJP115CN01, SFNNXASG113TW01, SFNNXASG115TW01, SFNNXASP113CN01, SFNNXASP113CW01, SFNNXASP113TN01, SFNNXASP113TW01, SFNNXASP115CN01, SFNNXASP115CW01, SFNNXASP115TN01, SFNNXASP115TW01, SFNNYAJP113TW01, SFNNYAJP115TW01, SFNNYASG113TN01, SFNNYASG113TW01, SFNNYASG115TN01, SFNNYASG115TW01, SFNNYASP113CW01, SFNNYASP113TN01, SFNNYASP113TW01, SFNNYASP115CW01, SFNNYASP115TN01, SFNNYASP115TW01, SFNWCASG113TN01, SFNWCASG115TN01, SFNWCASP113TN01, SFNWCASP115TN01, SFNWCASP115TW41, SFNWXASP113TW01, SFNWXASP115TW01, SFNXYASG113TN01, SFNXYASG115TN01, SFNXYASP113TN01, SFNXYASP113TW01, SFNXYASP115TN01, SFNXYASP115TW01 and SFNXYASP115TW41
	205068	Payment Center Kit	
<b>1</b>	804339P	Lock Assembly	
<b>2</b>	804338	Lock Cam	
<b>3</b>	D512973	Switch	
<b>4</b>	203423	Transformer Kit	120 Volt; Includes items 5 and 6
<b>5</b>	202757	Transformer	120 Volt
<b>6</b>	804795	Transformer Harness	120 Volt
<b>7</b>	D503688	Screw	
<b>8</b>	804363	Control Shield	
<b>9</b>	202868	Wiring Harness Assembly	Diagnostic
<b>10</b>	203361P	Machine ID Control Assembly	Model or serial number is required when ordering
<b>11</b>	805427	Central Pay Harness	

# Control Panel and Controls (Drawing 2 of 3)

10 Degree Front Control Models



FLW1781PA\_807224

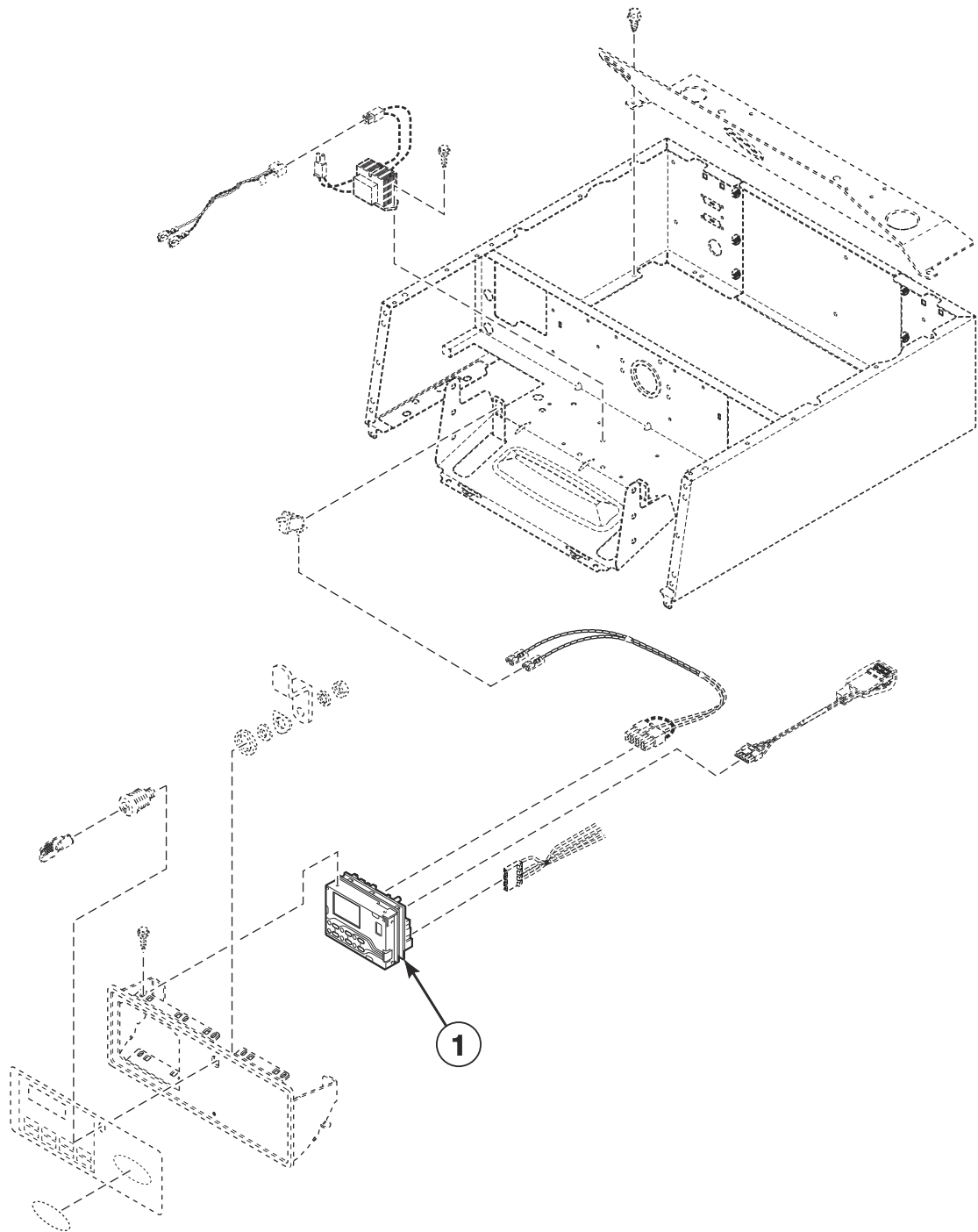


## Control Panel and Controls (Drawing 2 of 3)

REF	PART NO.	DESCRIPTION	COMMENTS
	203328	Network Retrofit Kit	Wired
	NK220	Network Controller Kit	Wired
	203889	Wireless Network Kit	
	NK320	Ethernet Gateway Kit	Wireless
	203346	USB IR Interface Kit	
	NK330	USB Gateway Kit	Wireless
	205069	Payment Center Kit	Includes printer; Models HFNNEASP113CW01, HFNNEASP115CW01, HFNNXASP113CN01, HFNNXASP113CW01, HFNNXASP115CN01, HFNNXASP115CW01 and HFNNYASP113CW01
	205070	Payment Center Kit	Models HFNNEASP113CW01, HFNNEASP115CW01, HFNNXASP113CN01, HFNNXASP113CW01, HFNNXASP115CN01, HFNNXASP115CW01 and HFNNYASP113CW01
	806267P	Control Assembly	Green LEDs; All other models
<b>1</b>	804070Q	Control Panel Assembly	Bisque
	804070W	Control Panel Assembly	White
	804070DG	Control Panel Assembly	Dark gray
	804070B	Control Panel Assembly	Black
<b>2</b>	805373	Overlay	Models HFNNEASP113CW01, HFNNEASP115CW01, HFNNXASP113CN01, HFNNXASP113CW01, HFNNXASP115CN01, HFNNXASP115CW01 and HFNNYASP113CW01
	806173	Overlay	Models PFNJCASG114TG01, PFNJCASG114TN01, PFNJCASG115TG01, PFNJCASG115TN01, PFNJCASG115TW01, PFNJCASP114TG01, PFNJCASP114TN01, PFNJCASP115TG01, PFNJCASP115TN01, PFNJCASP115TW01, PFNJEASG114CG01, PFNJEASG114CN01, PFNJEASG115CG01, PFNJEASG115CN01, PFNJEASG115CW01, PFNJEASP114CG01, PFNJEASP114CN01, PFNJEASP115CG01, PFNJEASP115CN01, PFNJEASP115CW01, PFNJXASG114CG01, PFNJXASG114CN01, PFNJXASG114TG01, PFNJXASG114TN01, PFNJXASG115CG01, PFNJXASG115CN01, PFNJXASG115CW01, PFNJXASG115TG01, PFNJXASG115TN01, PFNJXASG115TW01, PFNJXASP114CG01, PFNJXASP114TG01, PFNJXASP115CG01, PFNJXASP115CW01, PFNJXASP115TG01 and PFNJXASP115TW01
	804849	Overlay	All other models
<b>3</b>	804647	Screw	
<b>4</b>	54612	Key	GR800

# Control Panel and Controls (Drawing 3 of 3)

10 Degree Front Control Models



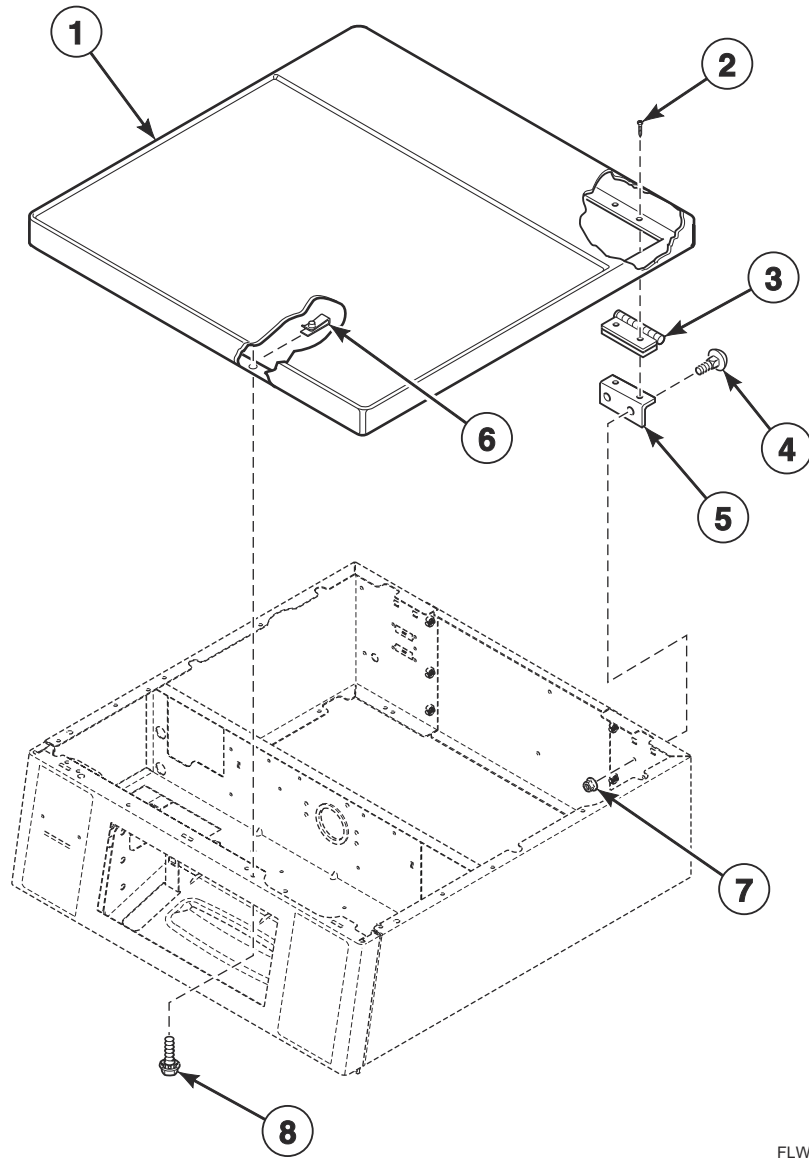
FLW1781PB\_807224

## Control Panel and Controls (Drawing 3 of 3)

REF	PART NO.	DESCRIPTION	COMMENTS
	203328	Network Retrofit Kit	Wired
	NK220	Network Controller Kit	Wired
	203889	Wireless Network Kit	
	NK320	Ethernet Gateway Kit	Wireless
	203346	USB IR Interface Kit	
	NK330	USB Gateway Kit	Wireless
	205069	Payment Center Kit	Includes printer; Models HFNNEASP113CW01, HFNNEASP115CW01, HFNNXASP113CN01, HFNNXASP113CW01, HFNNXASP115CN01, HFNNXASP115CW01 and HFNNYASP113CW01
	205070	Payment Center Kit	Models HFNNEASP113CW01, HFNNEASP115CW01, HFNNXASP113CN01, HFNNXASP113CW01, HFNNXASP115CN01, HFNNXASP115CW01 and HFNNYASP113CW01
1	806269P	Control Assembly	Blue LEDs; Models PFNJCASG114TG01, PFNJCASG114TN01, PFNJCASG115TG01, PFNJCASG115TN01, PFNJCASG115TW01, PFNJCASP114TG01, PFNJCASP114TN01, PFNJCASP115TG01, PFNJCASP115TN01, PFNJCASP115TW01, PFNJEASG114CG01, PFNJEASG114CN01, PFNJEASG115CG01, PFNJEASG115CN01, PFNJEASG115CW01, PFNJEASP114CG01, PFNJEASP114CN01, PFNJEASP115CG01, PFNJEASP115CN01, PFNJEASP115CW01, PFNJEASG114CG01, PFNJEASG114CN01, PFNJEASG114TG01, PFNJEASG114TN01, PFNJEASG115CG01, PFNJEASG115CN01, PFNJEASG115CW01, PFNJEASG115TG01, PFNJEASG115TN01, PFNJEASG115TW01, PFNJEASP114CG01, PFNJEASP114TG01, PFNJEASP115CG01, PFNJEASP115CW01, PFNJEASP115TG01 and PFNJEASP115TW01 through Serial No. 2012999999
	807460	Control Assembly	Blue LEDs; Models PFNJCASG114TG01, PFNJCASG114TN01, PFNJCASG115TG01, PFNJCASG115TN01, PFNJCASG115TW01, PFNJCASP114TG01, PFNJCASP114TN01, PFNJCASP115TG01, PFNJCASP115TN01, PFNJCASP115TW01, PFNJEASG114CG01, PFNJEASG114CN01, PFNJEASG115CG01, PFNJEASG115CN01, PFNJEASG115CW01, PFNJEASP114CG01, PFNJEASP114CN01, PFNJEASP115CG01, PFNJEASP115CN01, PFNJEASP115CW01, PFNJEASG114CG01, PFNJEASG114CN01, PFNJEASG114TG01, PFNJEASG114TN01, PFNJEASG115CG01, PFNJEASG115CN01, PFNJEASG115CW01, PFNJEASG115TG01, PFNJEASG115TN01, PFNJEASG115TW01, PFNJEASP114CG01, PFNJEASP114TG01, PFNJEASP115CG01, PFNJEASP115CW01, PFNJEASP115TG01 and PFNJEASP115TW01 starting Serial No. 2101000001
	806267P	Control Assembly	Green LEDs; All other models through Serial No. 2012999999
	807458	Control Assembly	Green LEDs; All other models starting Serial No. 2101000001

# Top Assembly

10 Degree Front Control Models



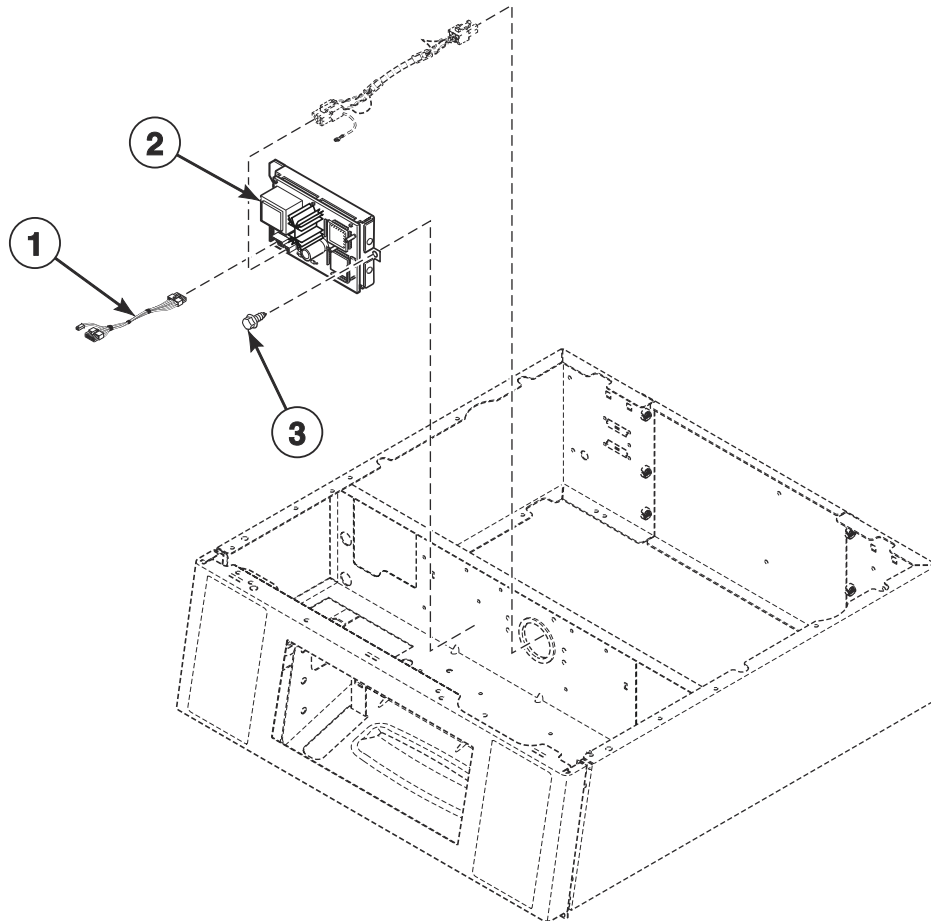
FLW1749P\_807224

# Top Assembly

REF	PART NO.	DESCRIPTION	COMMENTS
1	803868WP	Top Panel	White
	803869	Top Panel	Stainless steel
	804023DG	Top Panel	Dark gray
	803868Q	Top Panel	Bisque
2	685847	Pop Rivet	
3	D511036	Hinge	
4	29651	Bolt	
5	D504228	Top Mounting Bracket	
6	36020	Nut	
7	44087201	Nut	
8	23008	Screw	

# Network Board Assembly

Models SFNWCASG113TN01, SFNWCASG115TN01, SFNWCASP113TN01, SFNWCASP115TN01, SFNWCASP115TW41, SFNWCASP115TW42, SFNWCASP113TW01, SFNWCASP115TW01, SFNWCASP115TW02, SFNWCASP113TW02, SFNWCASP115TW02, SFNWCASP113TN01, SFNWCASP115TN01, SFNWCASP113TN01, SFNWCASP113TW01, SFNWCASP115TN01, SFNWCASP115TW01, SFNWCASP115TW41, SFNWCASP113TW01, SFNWCASP115TW01 and SFNWCASP115TW41



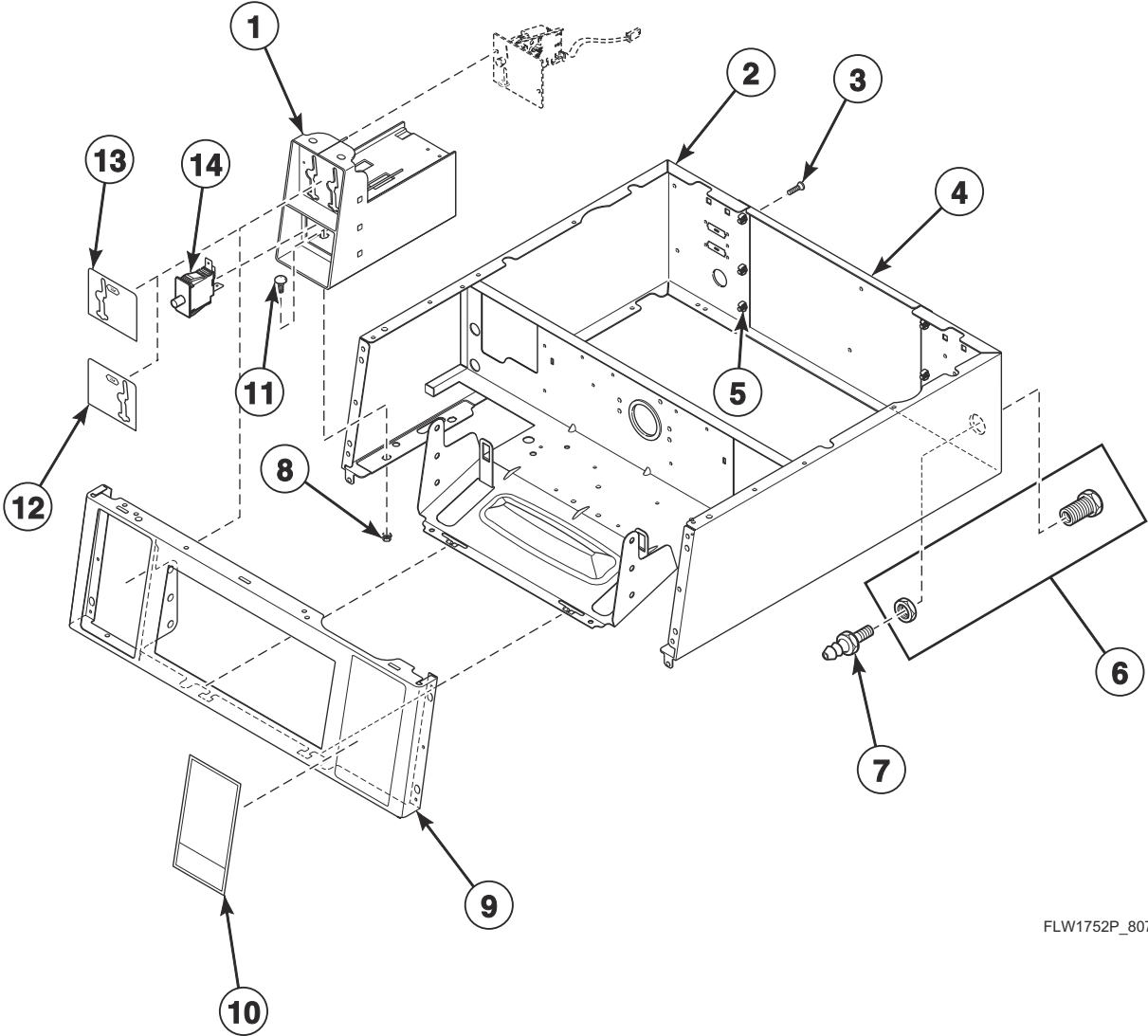
SWD1288P\_807224

# Network Board Assembly

REF	PART NO.	DESCRIPTION	COMMENTS
1	F8536002	Wireless Network Board Harness	
2	203889	Wireless Network Kit	
3	D503661	Screw	

# Control Cabinet

Front Control Coin Drop Models



FLW1752P\_807224

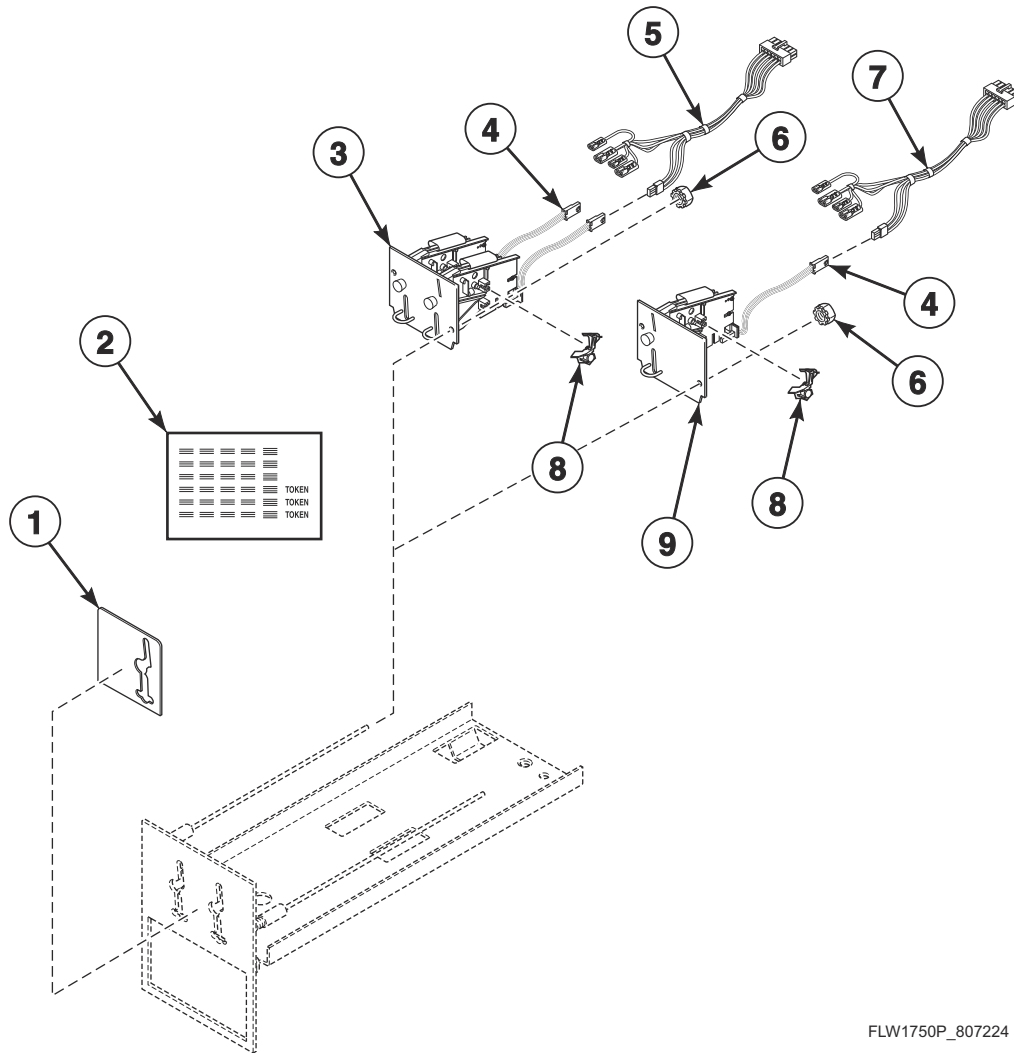


# Control Cabinet

REF	PART NO.	DESCRIPTION	COMMENTS
1	807396B	Meter Case Assembly	Black
	807254DG	Meter Case Assembly	Dark gray
	807396W	Meter Case Assembly	White
2	804103W	Wrapper Assembly	White; Models SFNNCAJP113TW01 and SFNNCAJP115TW01
	804103B	Wrapper Assembly	Black; Models SFNNXAJP113CN01 and SFNNXAJP115CN01
	804104B	Wrapper Assembly	Black; All other models
	804104DG	Wrapper Assembly	Dark gray; All other models
	804104W	Wrapper Assembly	White; All other models
3	70240301	Screw	6 required
4	803998	Rear Access Panel	
5	70030501	Expansion Clip	6 required
6	801788	Union	Models SFNNCAJP113TW01, SFNNCAJP115TW01, SFNNXAJP113CN01 and SFNNXAJP115CN01
7	801789	Connector	Models SFNNCAJP113TW01, SFNNCAJP115TW01, SFNNXAJP113CN01 and SFNNXAJP115CN01
8	44087201	Nut	
9	803962BP	Control Panel	Black
	803962DG	Control Panel	Dark gray
	803962WP	Control Panel	White
10	806194	Operating Instruction Label	Models PFNJCASG114TG01, PFNJCASG114TN01, PFNJCASG115TG01, PFNJCASG115TN01, PFNJCASG115TW01, PFNJCASP114TG01, PFNJCASP114TN01, PFNJCASP115TG01, PFNJCASP115TN01, PFNJCASP115TW01, PFNJEASG114CG01, PFNJEASG114CN01, PFNJEASG115CG01, PFNJEASG115CN01, PFNJEASG115CW01, PFNJEASP114CG01, PFNJEASP114CN01, PFNJEASP115CG01, PFNJEASP115CN01, PFNJEASP115CW01, PFNJXASG114CG01, PFNJXASG114CN01, PFNJXASG114TG01, PFNJXASG114TN01, PFNJXASG115CG01, PFNJXASG115CN01, PFNJXASG115CW01, PFNJXASG115TG01, PFNJXASG115TN01, PFNJXASG115TW01, PFNJXASP114CG01, PFNJXASP114TG01, PFNJXASP115CG01, PFNJXASP115CW01, PFNJXASP115TG01 and PFNJXASP115TW01
	804327	Operating Instruction Label	All other models
11	29651	Bolt	
12	38717	Single Overlay	\$0.25
13	201091	Overlay	For electronic coin drops
14	D512973	Switch	

# Non-Electronic Coin Drop, Cabinet Front and Wrapper Assembly

Coin Models



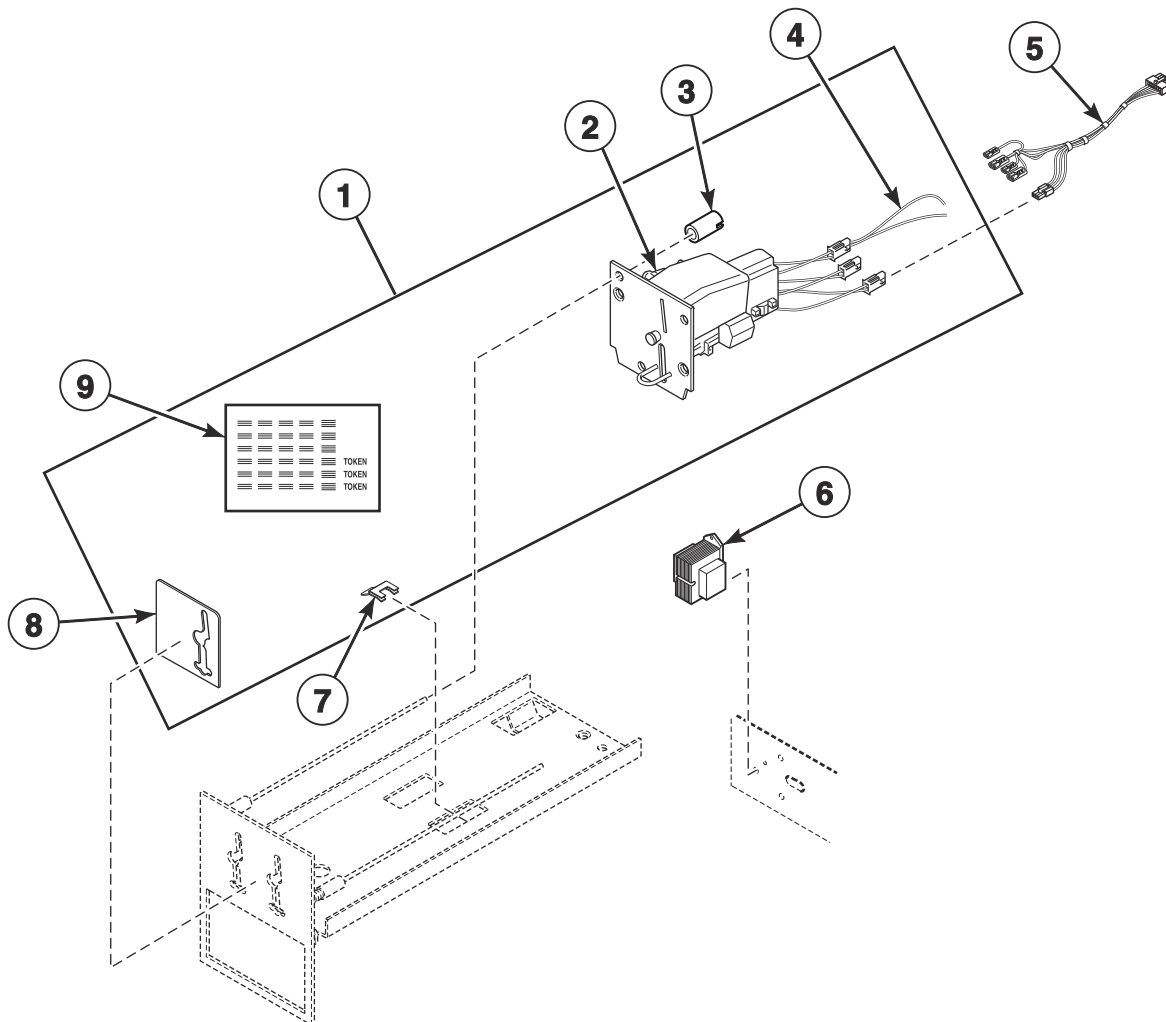
FLW1750P\_807224

# Non-Electronic Coin Drop, Cabinet Front and Wrapper Assembly

REF	PART NO.	DESCRIPTION	COMMENTS
1	38717	Single Overlay	
2	38725	Coin Identification Paper	
3	70441602	Coin Drop Assembly	Canada; .25 and 1.00
	70441603	Coin Drop	U.S.A.; \$.25 and \$1.00
4	200674P	Opto Coupler	
5	202871	Dual Coin Harness Assembly	
6	29786	Nut	
7	202870	Single Coin Harness Assembly	
8	201595P	Wire Guard	Anti-stringing security device
9	70441601P	Coin Drop	U.S.A.; \$.25
	38464P	Coin Drop Assembly	Canada; .25
	38462P	Coin Drop Assembly	Token; STD-118-1
	38463	Coin Drop Assembly	Token; STD-118-5
	38963P	Coin Drop	Token 118-16 not available. Replacement for 38963P Coin Drop only

# Electronic Coin Drop

Coin Models



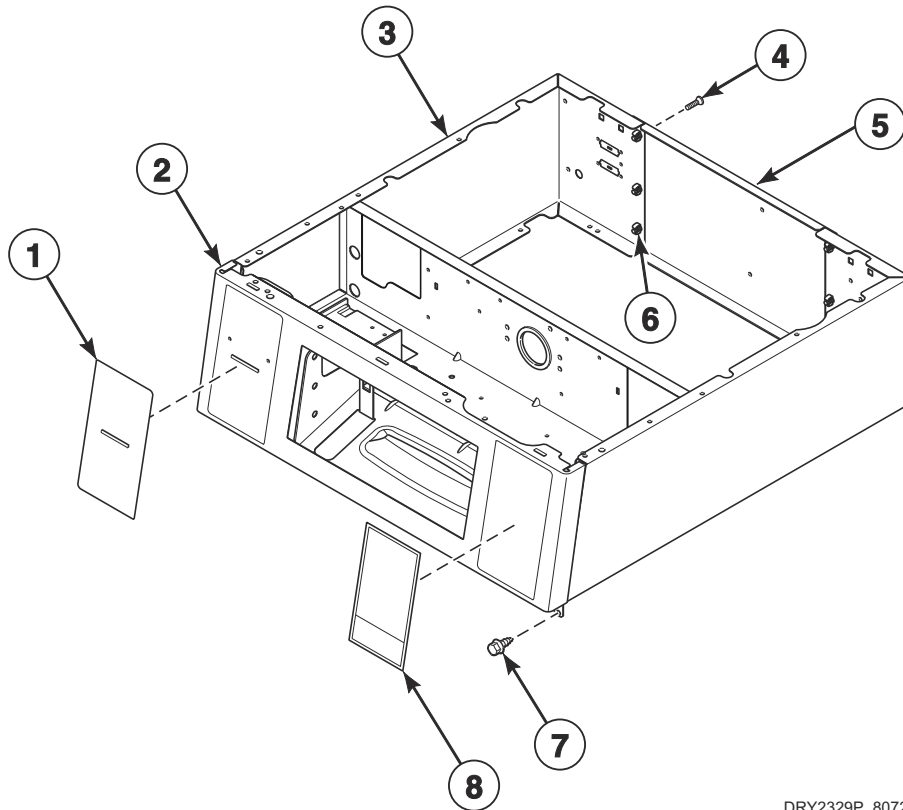
FLW1005P\_807224

## Electronic Coin Drop

REF	PART NO.	DESCRIPTION	COMMENTS
1	CK110	Electronic Coin Drop Kit	Includes items 2-4 and 7-9; Mexico, Ecuador and United States coins
	CK115	Electronic Coin Drop Kit	Includes items 2-4 and 7-9; United States and Canada coins
2	70294106	Electronic Coin Drop Assembly	Mexico, Ecuador and United States coins
	70294122	Electronic Coin Drop Assembly	Great Britain and token coins
3	201216	Nut	
	29786	Nut	Use on front control models with no guide rods
4	201104	Coin Drop Wire Harness	
5	802905	Harness Assembly	Electronic coin drop requires this harness. If unit is not factory-equipped with this harness, it must be ordered separately.
6	201375P	Transformer	Electronic coin drop requires this transformer. If unit is not factory-equipped with this transformer, it must be ordered separately.
7	201572	Clip	
8	201091	Overlay	
9	38725	Coin Identification Paper	

# Control Cabinet Controls - Front Control Card Reader Ready Models

Models HFNNYASP113CW01, SFNNYAJP113TW01, SFNNYAJP115TW01, SFNNYASG113TN01, SFNNYASG113TW01, SFNNYASG115TN01, SFNNYASG115TW01, SFNNYASP113CW01, SFNNYASP113TN01, SFNNYASP113TW01, SFNNYASP115CW01, SFNNYASP115TN01, SFNNYASP115TW01, SFNWWYASG113TN01, SFNWWYASG115TN01, SFNWWYASP113TN01, SFNWWYASP113TW01, SFNWWYASP115TN01, SFNWWYASP115TW01 and SFNWWYASP115TW41



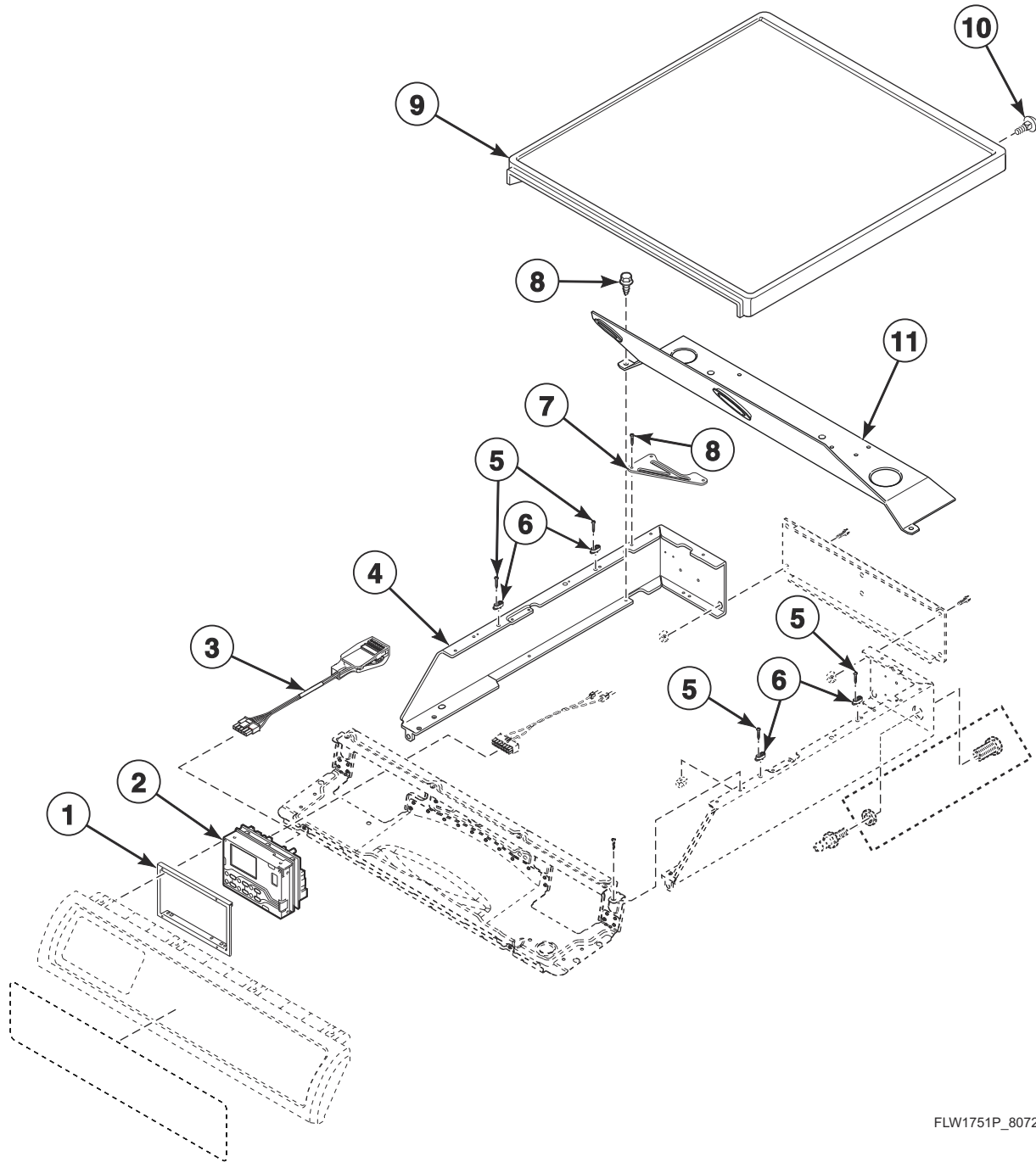
DRY2329P\_807224

## Control Cabinet Controls - Front Control Card Reader Ready Models

REF	PART NO.	DESCRIPTION	COMMENTS
1	D514873	Overlay	Gray; Model HFNNYASP113CW01
	D514391	Card Insert Overlay	All other models
2	804149WP	Security Cabinet Assembly	White
	804149B	Security Cabinet Assembly	Black
3	804112W	Wrapper Assembly	White
	804112B	Wrapper Assembly	Black
4	70240301	Screw	6 required
5	803998	Rear Access Panel	
6	70030501	Expansion Clip	6 required
7	D503688	Screw	
8	804327	Operating Instruction Label	

# Control Cabinet - 45 Degree Front Control Models (Drawing 1 of 2)

Models HFNNYBSP113CW01, SFNNYBSP113TN01, SFNNYBSP113TW01, SFNNYBSP115TN01, SFNNYBSP115TW01 and UFNGBBSP115TW81



FLW1751P\_807224

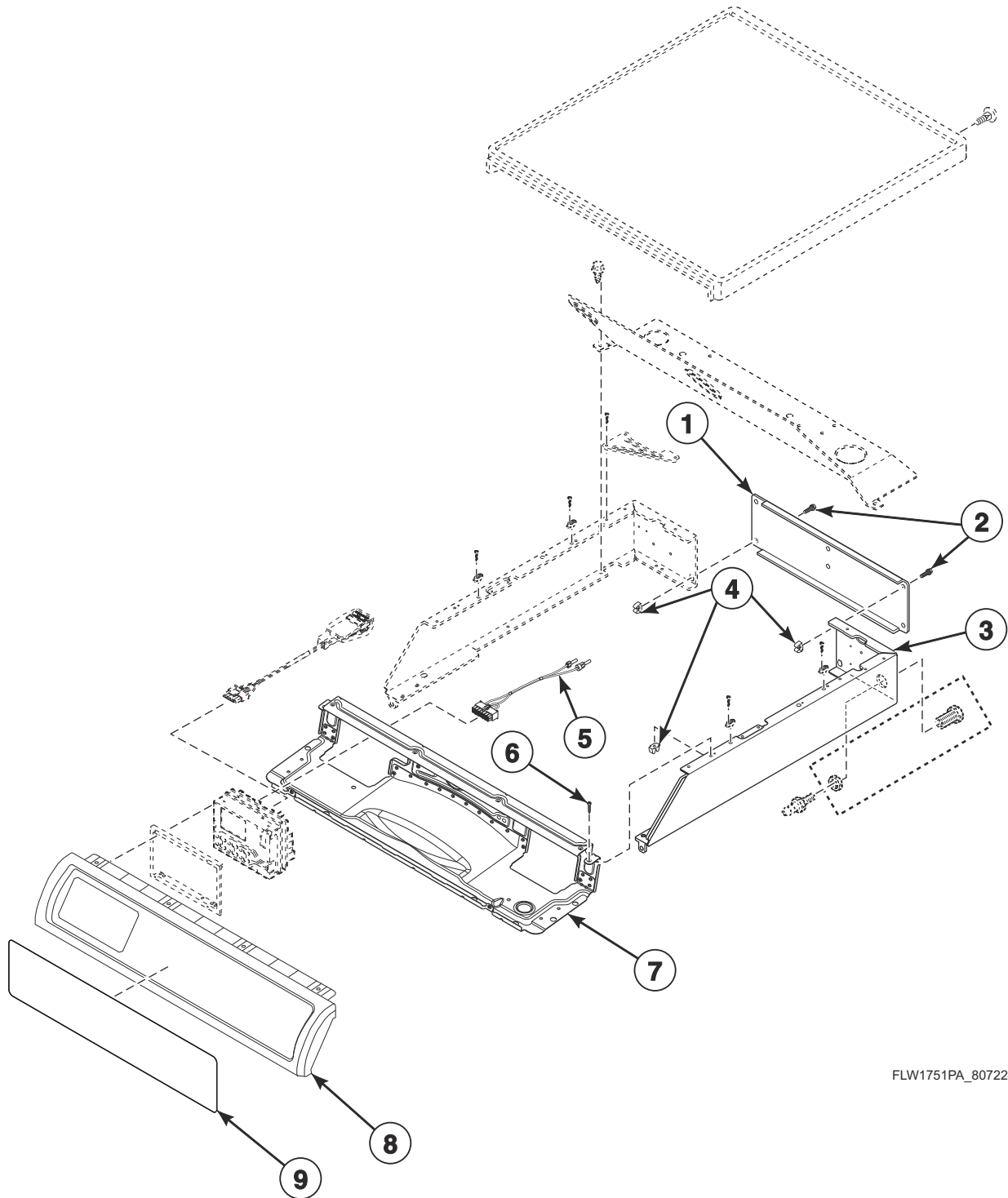


## Control Cabinet - 45 Degree Front Control Models (Drawing 1 of 2)

REF	PART NO.	DESCRIPTION	COMMENTS
	36226	Bumper Pad	4 required
	205067	Payment Center Kit	Includes printer; Models SFNNYBSP113TN01, SFNNYBSP113TW01, SFNNYBSP115TN01 and SFNNYBSP115TW01
	205068	Payment Center Kit	Models SFNNYBSP113TN01, SFNNYBSP113TW01, SFNNYBSP115TN01 and SFNNYBSP115TW01
	205069	Payment Center Kit	Includes printer; Model HFNNYBSP113CW01
	205070	Payment Center Kit	Model HFNNYBSP113CW01
<b>1</b>	804612	Control Bracket	
<b>2</b>	806267P	Control Assembly	Through Serial No. 2012999999
	807458	Control Assembly	Starting Serial No. 2101000001
<b>3</b>	203361P	Machine ID Control Assembly	Model or serial number is required when ordering
<b>4</b>	804627W	Control Wrapper	Left; Models HFNNYBSP113CW01, SFNNYBSP113TW01, SFNNYBSP115TW01 and UFNGBSP115TW81
	804627B	Control Wrapper	Left; Models SFNNYBSP113TN01 and SFNNYBSP115TN01
<b>5</b>	39733	Screw	4 required
<b>6</b>	803761	Top Panel Guide	4 required
<b>7</b>	805345	Rear Wrapper Brace	2 required
<b>8</b>	D503688	Screw	6 required
<b>9</b>	804684	Top Panel	Stainless steel
	804685WP	Top Panel	White
<b>10</b>	29651	Bolt	
<b>11</b>	804363	Control Shield	

# Control Cabinet - 45 Degree Front Control Models (Drawing 2 of 2)

Models HFNNYBSP113CW01, SFNNYBSP113TN01, SFNNYBSP113TW01, SFNNYBSP115TN01, SFNNYBSP115TW01 and UFNGBBSP115TW81



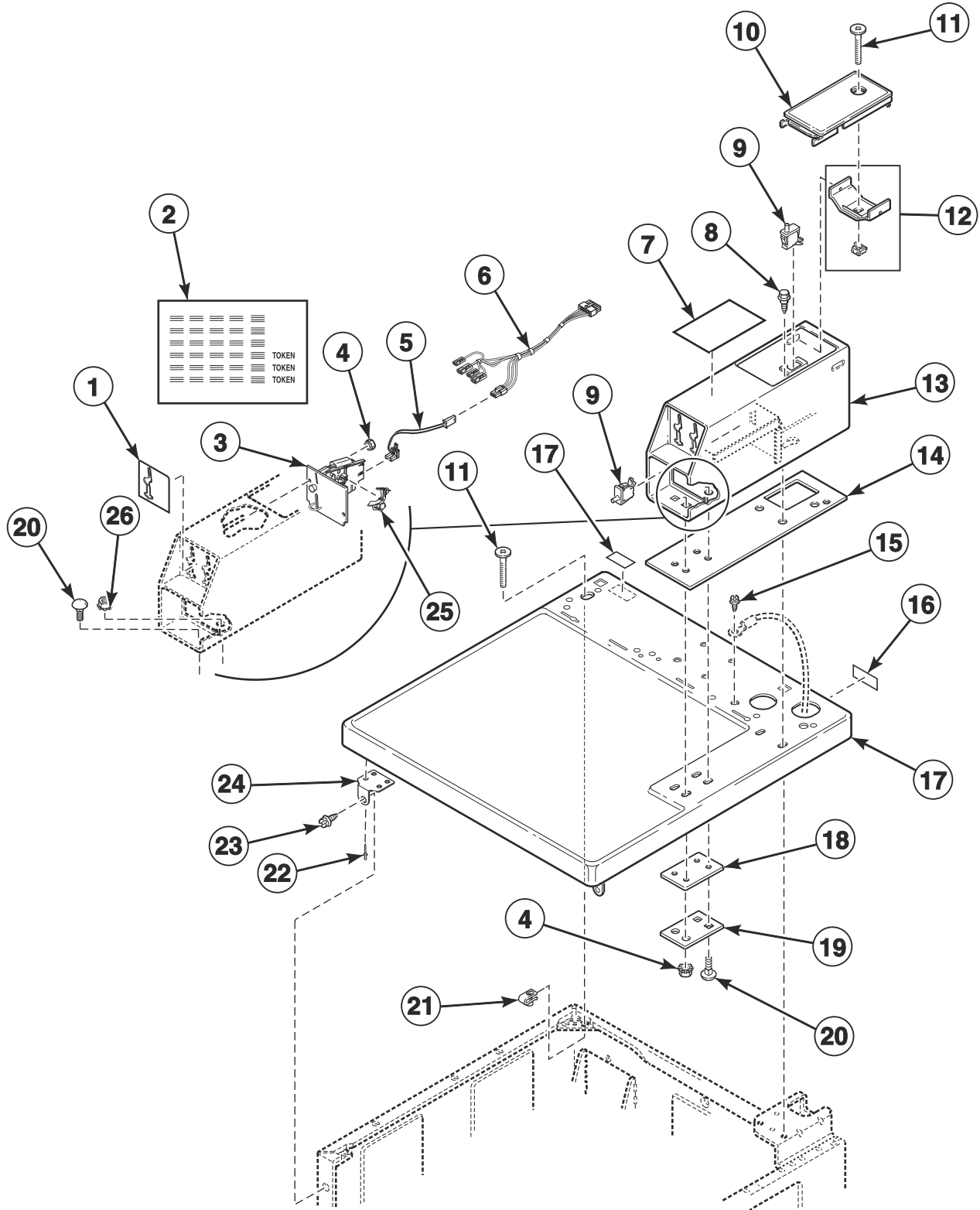
FLW1751PA\_807224

## Control Cabinet - 45 Degree Front Control Models (Drawing 2 of 2)

REF	PART NO.	DESCRIPTION	COMMENTS
	36226	Bumper Pad	4 required
1	804614	Rear Access Panel	
2	D503688	Screw	
3	804630W	Control Wrapper	White; Right
	804630B	Control Wrapper	Black; Right
4	70030501	Expansion Clip	
5	202869	Wiring Harness Assembly	Diagnostic
6	804667	Screw	
7	804613	Top Panel Brace Assembly	
8	804661W	Control Panel Assembly	Model UFNGBSP115TW81
	804963	Control Panel Assembly	Black; All other models
	804962	Control Panel Assembly	White; All other models
9	805675	Control Overlay	Models SFNNYBSP113TN01, SFNNYBSP113TW01, SFNNYBSP115TN01 and SFNNYBSP115TW01
	806042	Control Overlay	Model HFNNYBSP113CW01
	807388	Control Overlay	Model UFNGBSP115TW81

# Coin Drop, Meter Case and Cabinet Top

Models HFNNERSP113CW01, HFNNERSP115CW01, HFNNXRSP113CW01, SFNNCRSP113TW01, SFNNCRSP113TW02, SFNNCRSP115TW02, SFNNERSP113CW02, SFNNERSP115CW02, SFNNXRSP113CW02, SFNNXRSP113TW02, SFNNXRSP115CW02, SFNNXRSP115TW02, SFNWCRSP115TW42, SFNWXRSP113TW02 and SFNWXRSP115TW02



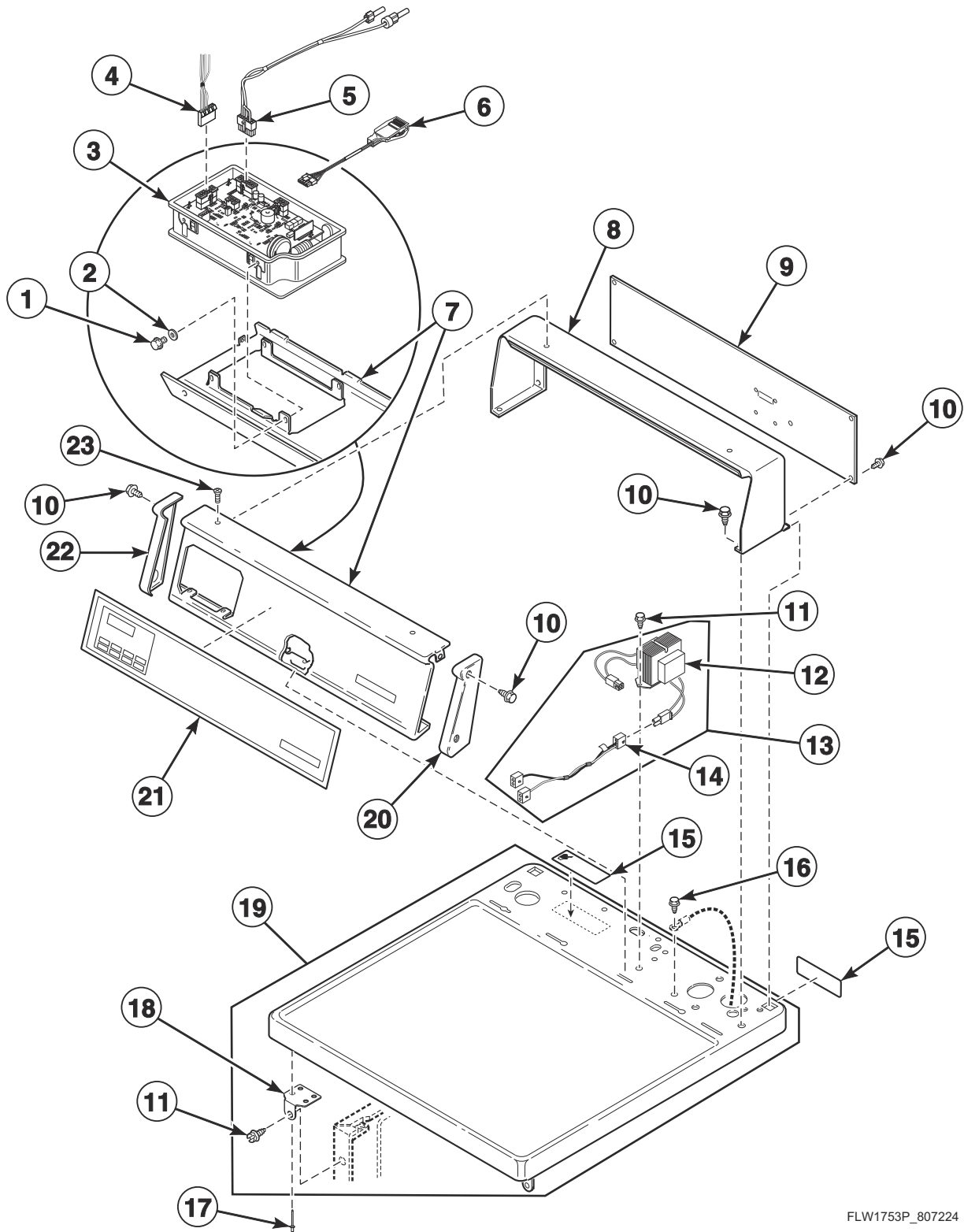
FLW980P\_807224

## Coin Drop, Meter Case and Cabinet Top

REF	PART NO.	DESCRIPTION	COMMENTS	
1	201091	Overlay	Models HFNNERSP113CW01, HFNNERSP115CW01, SFNNERSP113CW02 and SFNNERSP115CW02	
	38717	Single Overlay	All other models	
2	38725	Coin Identification Paper		
3	70441601P	Coin Drop	U.S.A.; \$.25	
	70441602	Coin Drop Assembly	Canada; .25 and 1.00	
4	29786	Nut		
5	200674P	Opto Coupler		
6	202870	Single Coin Harness Assembly		
	202871	Dual Coin Harness Assembly		
7	805830	Rear Control Operating Instruction Label		
8	36048	Screw		
9	D512973	Switch		
10	39874WP	Service Door Assembly		
11	D503673	Screw		
12	204616	Meter Case Locking Bracket Kit		
13	807401W	Meter Case Assembly Kit	Models SFNNCRSP113TW02, SFNNCRSP115TW02, SFNNXRSP113CW02, SFNNXRSP113TW02, SFNNXRSP115CW02, SFNNXRSP115TW02, SFNWCRSP115TW42, SFNWXRSP113TW02 and SFNWXRSP115TW02	
	803578P	Coin Box Extension Kit	Use with 803063W Meter Case Assembly to extend shorter 7 inch coin boxes; Models SFNNCRSP113TW02, SFNNCRSP115TW02, SFNNERSP113CW02, SFNNXRSP113CW02, SFNNXRSP113TW02, SFNNXRSP115CW02, SFNNXRSP115TW02, SFNWCRSP115TW42, SFNWXRSP113TW02 and SFNWXRSP115TW02	
	802505W	Meter Case Assembly	Models HFNNERSP113CW01 and HFNNERSP115CW01	
	803050W	Meter Case Assembly	Models SFNNERSP113CW02 and SFNNERSP115CW02	
	202877W	Meter Case Assembly	All other models	
	14	26354	Meter Case Gasket	
	15	20530	Screw	
16	D505281	Disconnect Power Warning Label	English	
	D500316	Warning Label	English/French	
17	D511527WP	Top Kit		
18	35526	Meter Case Bracket Gasket		
19	35525	Meter Case Lockdown Bracket		
20	203798	Bolt		
21	27222	Nut		
22	70058501	Pop Rivet		
23	D503661	Screw		
24	D510146	Bracket		
25	201595P	Wire Guard	Anti-stringing security device	
26	802337	Nut		

# Control Panel, Control Hood and Controls (Drawing 1 of 2)

Models HFNNYRSP113CW01, SFNNYRSP113TW01, SFNNYRSP115TW01, SFNWYRSP113TW01, SFNWYRSP115TW01 and SFNWYRSP115TW41



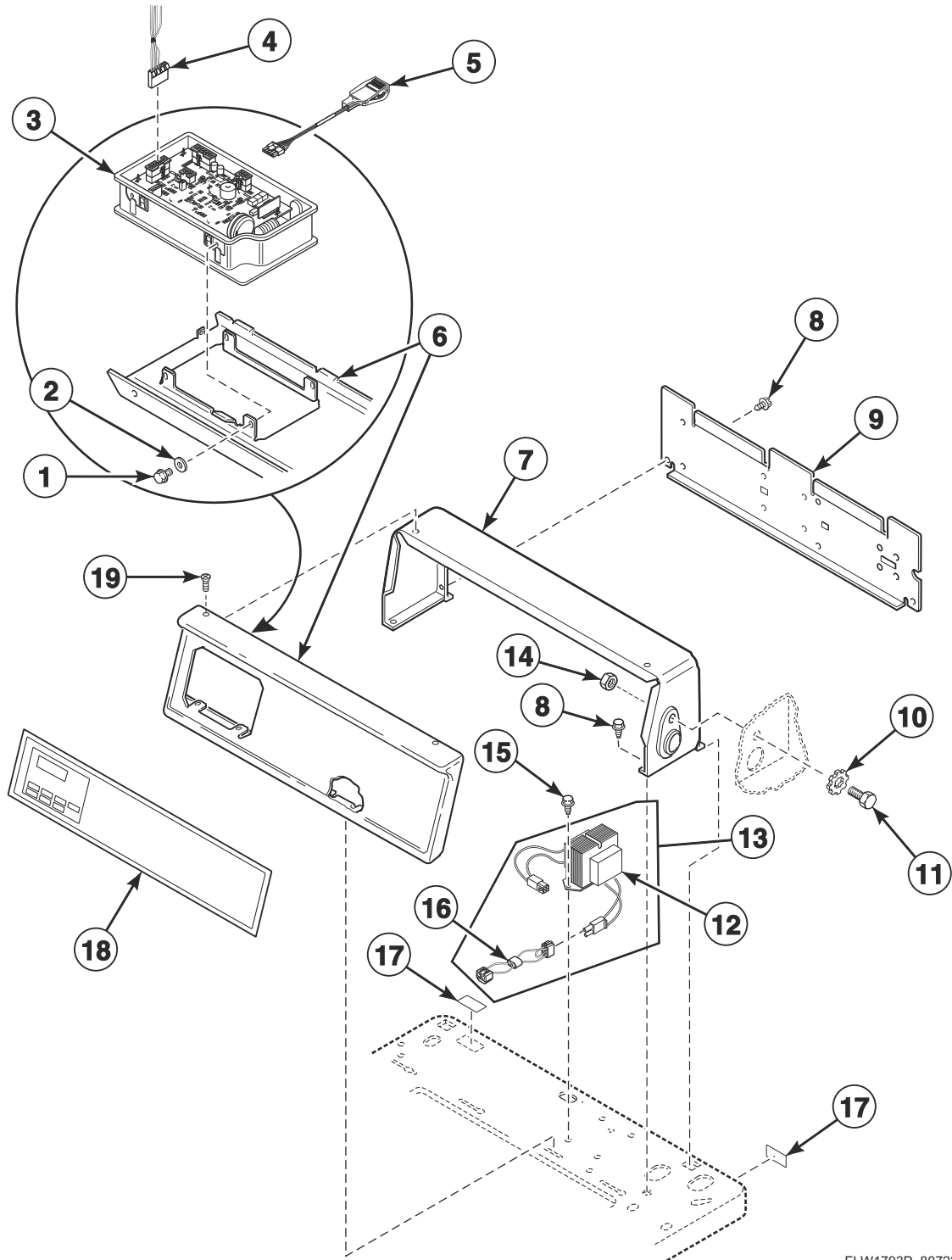
FLW1753P\_807224

## Control Panel, Control Hood and Controls (Drawing 1 of 2)

REF	PART NO.	DESCRIPTION	COMMENTS
	203889	Wireless Network Kit	
	203328	Network Retrofit Kit	Wired
	203346	USB IR Interface Kit	
	NK220	Network Controller Kit	Wired
	NK320	Ethernet Gateway Kit	Wireless
	NK330	USB Gateway Kit	Wireless
	205067	Payment Center Kit	Includes printer; Models SFNNYRSP113TW01, SFNNYRSP115TW01, SFNWYRSP113TW01, SFNWYRSP115TW01 and SFNWYRSP115TW41
	205068	Payment Center Kit	Models SFNNYRSP113TW01, SFNNYRSP115TW01, SFNWYRSP113TW01, SFNWYRSP115TW01 and SFNWYRSP115TW41
	205069	Payment Center Kit	Includes printer; Model HFNNYRSP113CW01
	205070	Payment Center Kit	Model HFNNYRSP113CW01
<b>1</b>	D501524	Screw	
<b>2</b>	200608	Washer	
<b>3</b>	806267P	Control Assembly	Through Serial No. 2012999999
	807458	Control Assembly	Starting Serial No. 2101000001
<b>4</b>	805427	Central Pay Harness	
<b>5</b>	202869	Wiring Harness Assembly	Diagnostic
<b>6</b>	203361P	Machine ID Control Assembly	Model or serial number is required when ordering
<b>7</b>	805512W	Control Panel and Stud Assembly	Models SFNWYRSP113TW01, SFNWYRSP115TW01 and SFNWYRSP115TW41
	800710W	Control Panel and Stud Assembly	Models HFNNYRSP113CW01, SFNNYRSP113TW01 and SFNNYRSP115TW01
<b>8</b>	D511253W	Control Hood	
<b>9</b>	D511254	Rear Panel	
<b>10</b>	D501086	Screw	
<b>11</b>	D503661	Screw	
<b>12</b>	202757	Transformer	
<b>13</b>	203423	Transformer Kit	Includes item 12 and 14
<b>14</b>	804832	Harness	
<b>15</b>	D505281	Disconnect Power Warning Label	Models SFNNYRSP113TW01, SFNNYRSP115TW01, SFNWYRSP113TW01, SFNWYRSP115TW01 and SFNWYRSP115TW41
	D500316	Warning Label	Model HFNNYRSP113CW01
<b>16</b>	20530	Screw	
<b>17</b>	70058501	Pop Rivet	
<b>18</b>	D510146	Bracket	
<b>19</b>	D511530WP	Top Panel Kit	Includes items 11 and 17
<b>20</b>	210108W	End Cap	Right
<b>21</b>	805370	Overlay	Models SFNNYRSP113TW01, SFNNYRSP115TW01, SFNWYRSP113TW01, SFNWYRSP115TW01 and SFNWYRSP115TW41
	805372	Control Overlay	Model HFNNYRSP113CW01
<b>22</b>	210109W	End Cap	Left
<b>23</b>	52864	Screw	

# Control Panel, Control Hood and Controls (Drawing 2 of 2)

Models HFNNERSP113CW01, HFNNERSP115CW01, HFNNXRSP113CW01, SFNNCRSP113TW01, SFNNCRSP113TW02, SFNNCRSP115TW02, SFNNERSP113CW02, SFNNERSP115CW02, SFNNXRSP113CW02, SFNNXRSP113TW02, SFNNXRSP115CW02, SFNNXRSP115TW02, SFNWCERSP115TW42, SFNWXERSP113TW02 and SFNWXERSP115TW02



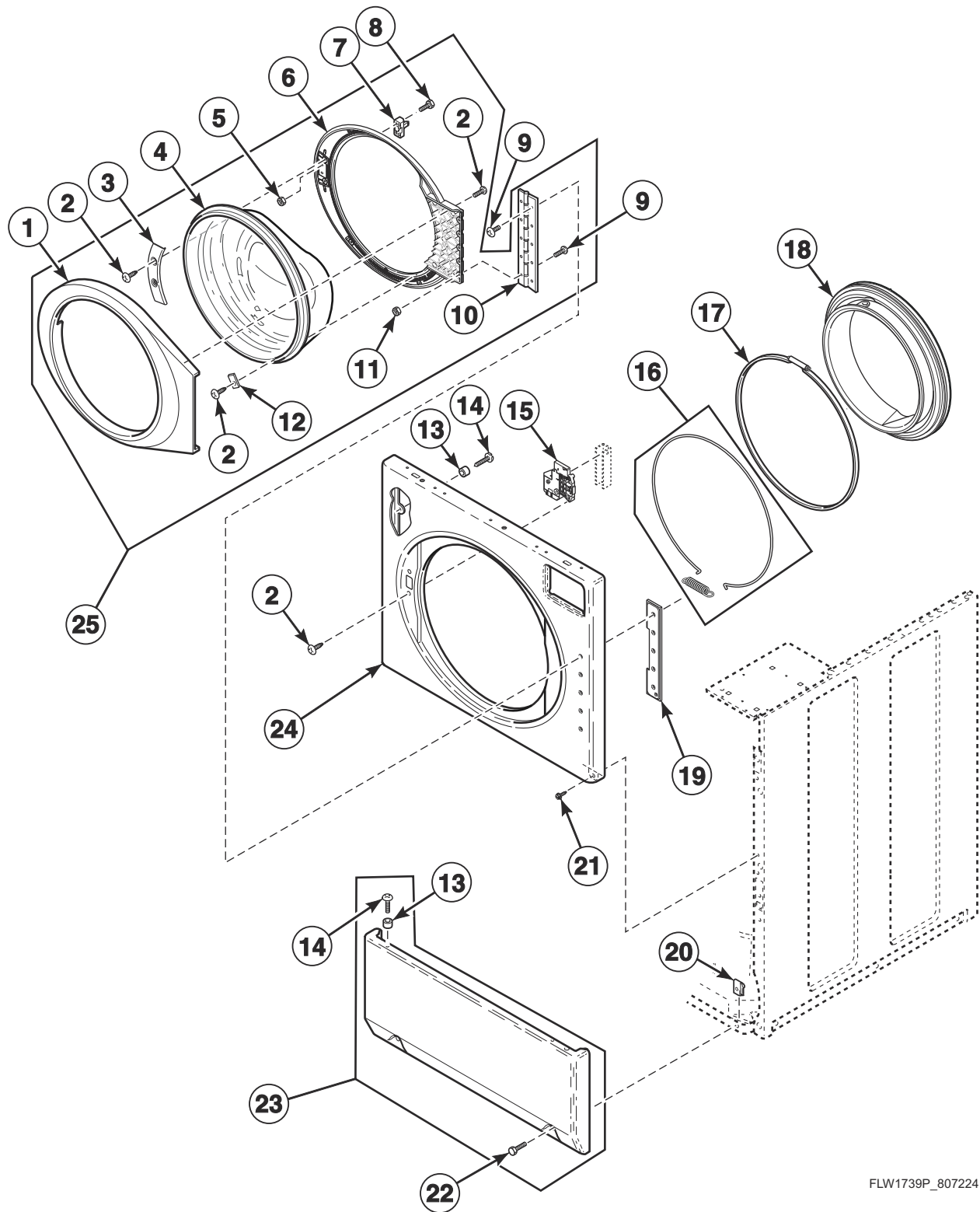
FLW1793P\_807224



## Control Panel, Control Hood and Controls (Drawing 2 of 2)

REF	PART NO.	DESCRIPTION	COMMENTS
	203889	Wireless Network Kit	
	203328	Network Retrofit Kit	Wired
	203346	USB IR Interface Kit	
	NK220	Network Controller Kit	Wired
	NK320	Ethernet Gateway Kit	Wireless
	NK330	USB Gateway Kit	Wireless
	205067	Payment Center Kit	Includes printer; Models SFNNCRSP113TW01, SFNNCRSP113TW02, SFNNCRSP115TW02, SFNNERSP113CW02, SFNNERSP115CW02, SFNNXRSP113CW02, SFNNXRSP113TW02, SFNNXRSP115CW02, SFNNXRSP115TW02, SFNWCRSP115TW42, SFNWXRSP113TW02 and SFNWXRSP115TW02
	205068	Payment Center Kit	Models SFNNCRSP113TW01, SFNNCRSP113TW02, SFNNCRSP115TW02, SFNNERSP113CW02, SFNNERSP115CW02, SFNNXRSP113CW02, SFNNXRSP113TW02, SFNNXRSP115CW02, SFNNXRSP115TW02, SFNWCRSP115TW42, SFNWXRSP113TW02 and SFNWXRSP115TW02
	205069	Payment Center Kit	Includes printer; Models HFNNERSP113CW01, HFNNERSP115CW01 and HFNNXRSP113CW01
	205070	Payment Center Kit	Models HFNNERSP113CW01, HFNNERSP115CW01 and HFNNXRSP113CW01
<b>1</b>	D501524	Screw	
<b>2</b>	200608	Washer	
<b>3</b>	806267P	Control Assembly	Through Serial No. 2012999999
	807458	Control Assembly	Starting Serial No. 2101000001
<b>4</b>	805427	Central Pay Harness	
<b>5</b>	203361P	Machine ID Control Assembly	Model or serial number is required when ordering
<b>6</b>	800149W	Control Panel and Bracket Assembly	
<b>7</b>	D502567W	Control Hood	
<b>8</b>	D501086	Screw	
<b>9</b>	804223	Hood Back Panel	
<b>10</b>	M400017	Washer	
<b>11</b>	02916	Screw	
<b>12</b>	202757	Transformer	120 Volt
<b>13</b>	203423	Transformer Kit	120 Volt; Includes items 12 and 16
<b>14</b>	44087101	Nut	
<b>15</b>	D503661	Screw	
<b>16</b>	804832	Harness	
<b>17</b>	D505281	Disconnect Power Warning Label	Models SFNNCRSP113TW01, SFNNCRSP113TW02, SFNNCRSP115TW02, SFNNERSP115CW02, SFNNXRSP113TW02, SFNNXRSP115CW02, SFNNXRSP115TW02, SFNWCRSP115TW42, SFNWXRSP113TW02 and SFNWXRSP115TW02
	D500316	Warning Label	Models HFNNERSP113CW01, HFNNERSP115CW01 and HFNNXRSP113CW01
<b>18</b>	804850	Overlay	Models SFNNCRSP113TW01, SFNNCRSP113TW02, SFNNCRSP115TW02, SFNNERSP113CW02, SFNNERSP115CW02, SFNNXRSP113CW02, SFNNXRSP113TW02, SFNNXRSP115CW02, SFNNXRSP115TW02, SFNWCRSP115TW42, SFNWXRSP113TW02 and SFNWXRSP115TW02
	805371	Control Overlay	Models HFNNERSP113CW01, HFNNERSP115CW01 and HFNNXRSP113CW01
<b>19</b>	52864	Screw	

# Front Panel, Door Assembly and Door Seal

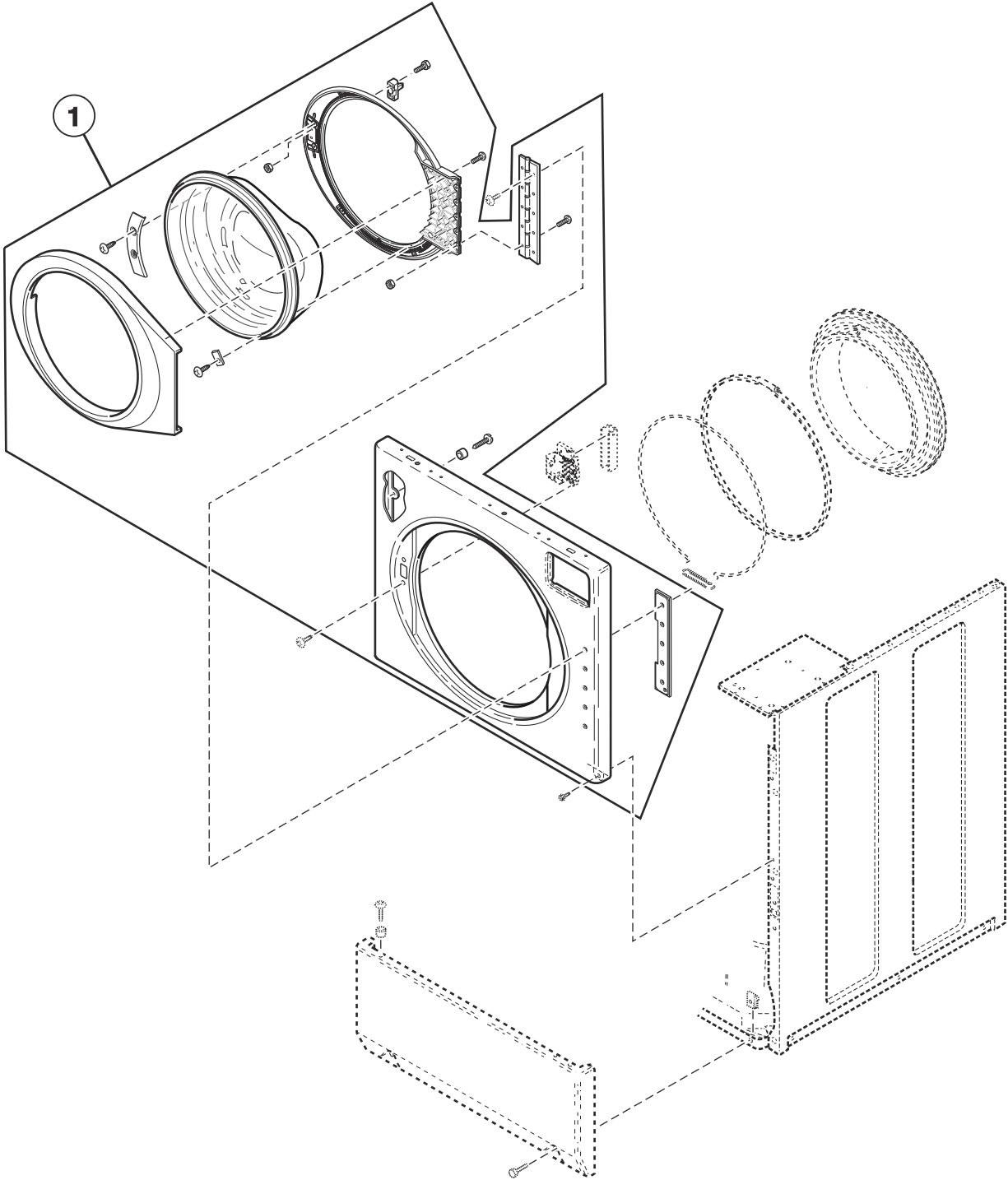


FLW1739P\_807224

## Front Panel, Door Assembly and Door Seal

REF	PART NO.	DESCRIPTION	COMMENTS
1	803710WP	Outer Door Bezel	White
	803711P	Outer Door Bezel	Gray
	803710BP	Outer Door Bezel	Black
	803710QP	Outer Door Bezel	Bisque
2	800548	Screw	
3	804239	Door Glass Mounting Plate	
4	802695P	Door Glass	
5	685846	Nut	
6	802307P	Inner Door Bezel Kit	White
	802331P	Inner Door Bezel Kit	Gray
	804562P	Inner Door Bezel	Glass filled polypropylene upgrade
7	802803	Door Catch Assembly	
8	801993	Screw	
9	801019	Screw	
10	802934	Door Hinge	
11	23951	Nut	
12	802700	Glass Mounting Clip	
13	56079	Panel Locator	
14	39733	Screw	Use with painted panels
	806086	Screw	Use with stainless steel panels
15	803920	Door Latch Assembly	
16	806466	Wire Ring and Spring	
17	802281	Hose Clamp	
18	804428P	Door Seal	Black
	804429P	Door Seal Assembly	Gray
19	802206	Hinge Plate	
20	36020	Nut	
21	D503661	Screw	
22	801045	Screw	
23	804617W	Access Panel Assembly	White
	804617Q	Access Panel Assembly	Bisque
	804618	Access Panel Assembly	Stainless steel
	804617DGP	Access Panel Assembly	Dark gray
24	802277WP	Front Panel	White
	802277QP	Front Panel	Bisque
	802277DG	Front Panel	Dark gray
	802288P	Front Panel	Stainless steel
25	804083WP	Door Assembly	White; Includes items 1-7, 9-12
	804083QP	Door Assembly	Bisque; Includes items 1-7, 9-12
	804210P	Door Assembly	Gray; Includes items 1-7, 9-12
	805550	Door Assembly	Black; Includes items 1-7, 9-12

# Front Panel Assembly

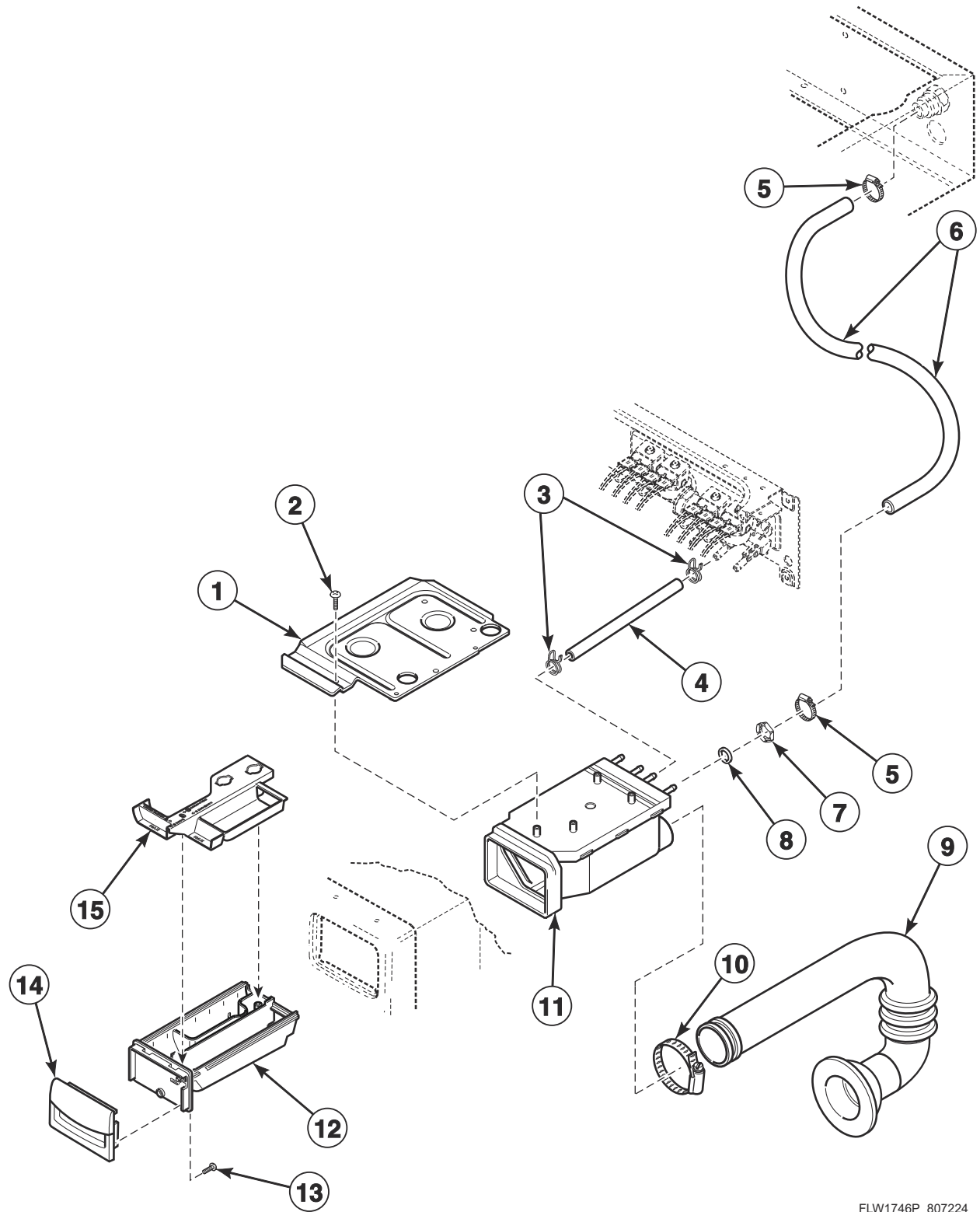


FLW1739PA\_807224

# Front Panel Assembly

REF	PART NO.	DESCRIPTION	COMMENTS
1	806505W	Front Panel Assembly Kit	White
	806560	Front Panel Assembly Kit	Stainless steel

# Dispenser Assembly

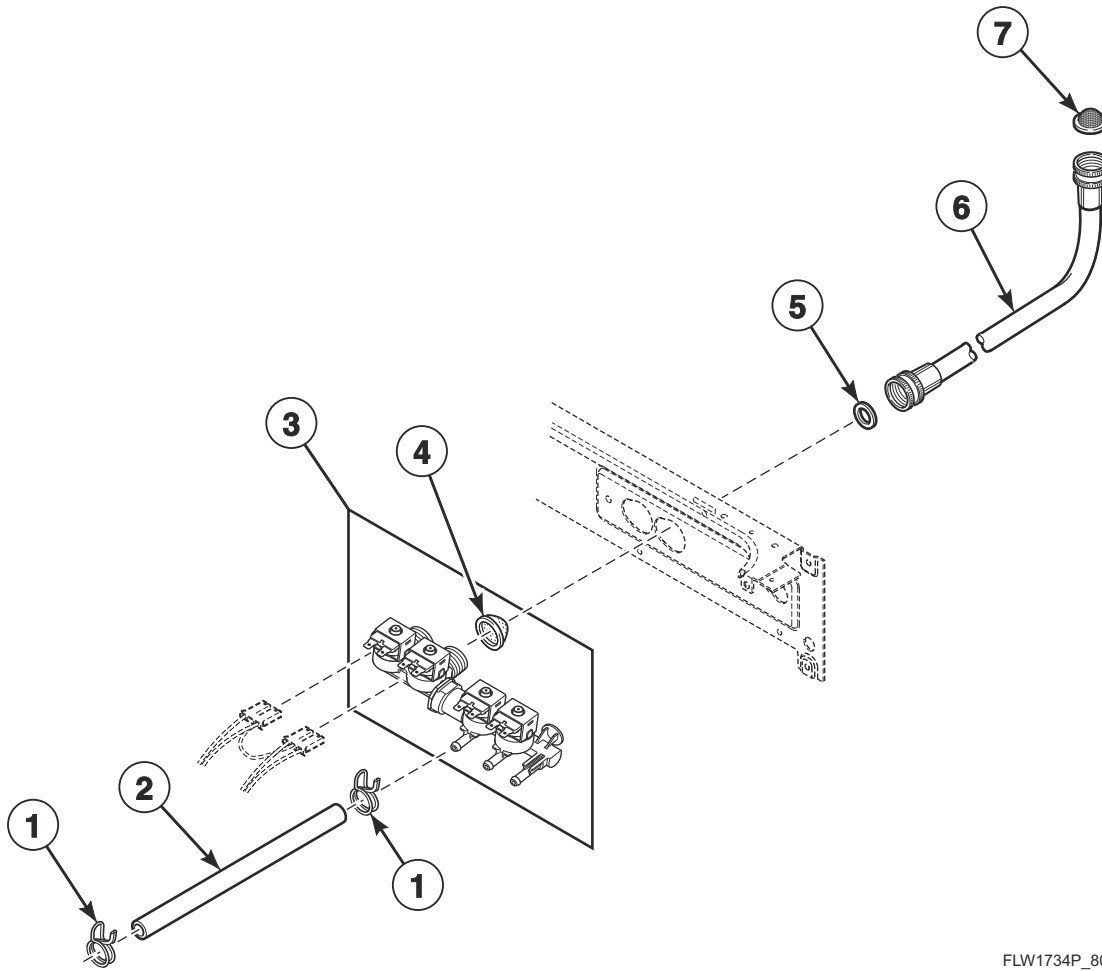


FLW1746P\_807224

# Dispenser Assembly

REF	PART NO.	DESCRIPTION	COMMENTS
	804875	Foam Pad	
	805938	Chemical Injection Conversion Kit	Includes 110 Volt/24 Volt transformer; Through Serial No. 2012999999
	805938	Chemical Injection Conversion Kit	Includes 110 Volt/24 Volt transformer; Starting Serial No. 2101000001
<b>1</b>	803843	Dispenser Plate	
<b>2</b>	801001	Screw	
<b>3</b>	807386	Hose Clamp	
<b>4</b>	803849	Dispenser Inlet Hose	Through Serial No. 1810000001
	807364	Dispenser Inlet Hose	Starting Serial No. 1810000001
<b>5</b>	F200206	Hose Clamp	Models SFNNCAJP113TW01, SFNNCAJP115TW01, SFNNXAJ113CN01, SFNNXAJ115CN01, SFNNYAJ113TW01 and SFNNYAJ115TW01
<b>6</b>	801635	Tubing	Models SFNNCAJP113TW01, SFNNCAJP115TW01, SFNNXAJ113CN01, SFNNXAJ115CN01, SFNNYAJ113TW01 and SFNNYAJ115TW01
<b>7</b>	802292	Nut	Models SFNNCAJP113TW01, SFNNCAJP115TW01, SFNNXAJ113CN01, SFNNXAJ115CN01, SFNNYAJ113TW01 and SFNNYAJ115TW01
<b>8</b>	801632	O-Ring	Models SFNNCAJP113TW01, SFNNCAJP115TW01, SFNNXAJ113CN01, SFNNXAJ115CN01, SFNNYAJ113TW01 and SFNNYAJ115TW01
<b>9</b>	804717	Detergent Hose	
<b>10</b>	685725	Hose Clamp	
<b>11</b>	803698	Dispenser Assembly	
<b>12</b>	803667	Dispenser Drawer	
<b>13</b>	800548	Screw	
<b>14</b>	804228	Dispenser Handle	Gray
	804227WP	Dispenser Handle	White
	804227B	Dispenser Handle	Black
<b>15</b>	803670	Compartment Cover	Model UFNGBSP115TW81
	803669	Compartment Cover	All other models

# Mixing Valve, Dispenser Hose and Fill Hose



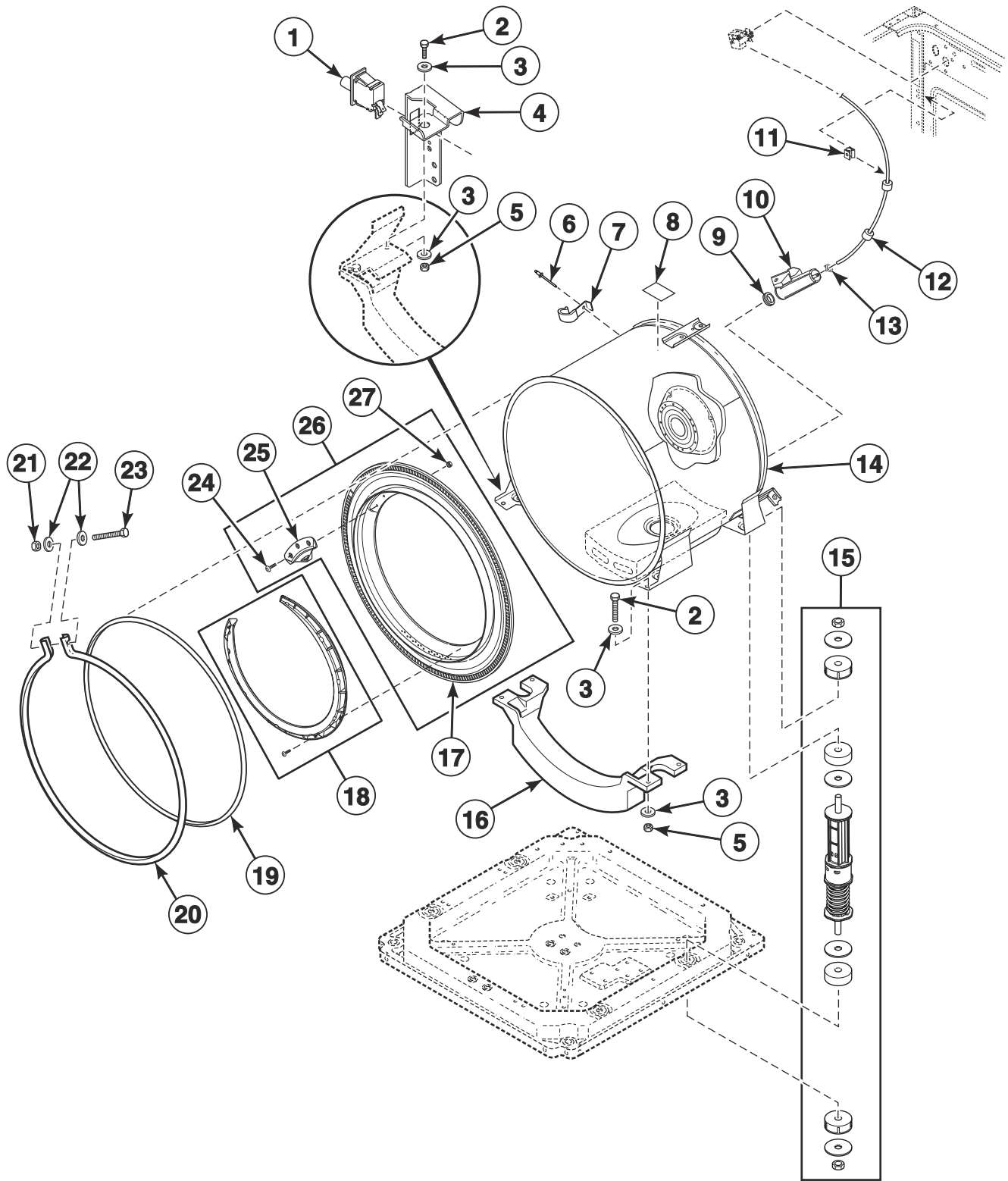
FLW1734P\_807224



## Mixing Valve, Dispenser Hose and Fill Hose

REF	PART NO.	DESCRIPTION	COMMENTS
1	807386	Hose Clamp	
2	803849	Dispenser Inlet Hose	Through Serial No. 1810000001
	807364	Dispenser Inlet Hose	Starting Serial No. 1810000001
3	806509P	Mixing Valve	
4	24122	Mixing Valve Screen	
5	20290	Washer	
6	203719	Fill Hose	4 feet; Marked for hot water; 2 standard thread hose couplings
	203720	Fill Hose	4 feet; Marked for cold water; 2 standard thread hose couplings
7	803615	Washer	Filter screen
	802254	Washer	Flow restrictor; Water pressure reducer; Available for water pressure up to but not exceeding 120 psi

# Outer Tub, Clamp Ring and Shock Absorbers

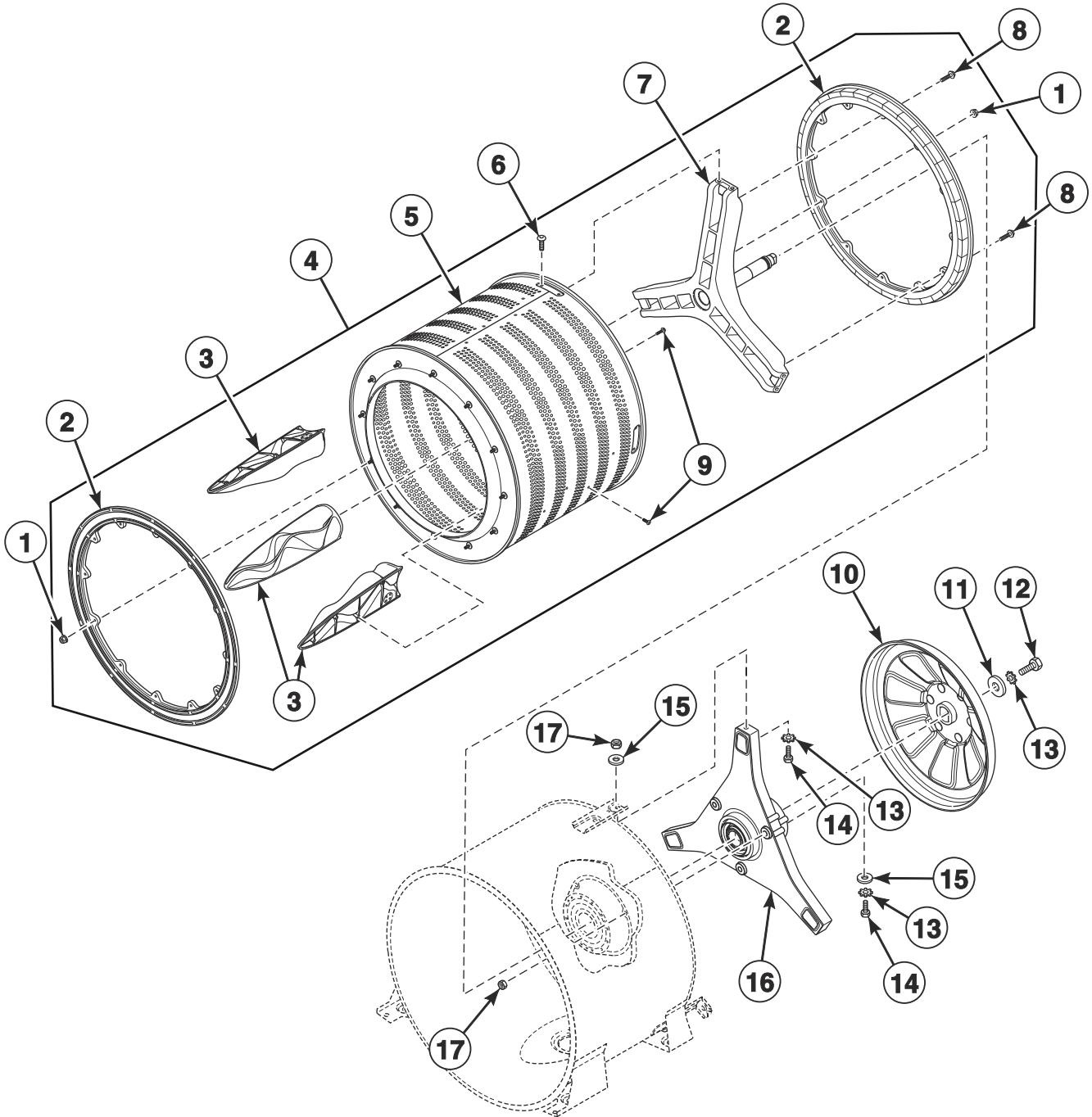


FLW1809P\_807224

## Outer Tub, Clamp Ring and Shock Absorbers

REF	PART NO.	DESCRIPTION	COMMENTS
1	803415	Out-of-Balance Switch Assembly	Through Serial No. 2012999999
	807384	Out-of-Balance Switch Assembly	Starting Serial No. 2101000001
2	800461	Screw	
3	804458	Washer	
4	804457	Out-of-Balance Switch Bracket	Through Serial No. 2012999999
	807280	Out-of-Balance Switch Bracket	Starting Serial No. 2101000001
5	800452	Nut	
6	685847	Pop Rivet	
7	800553	Hose Clip	
8	D500049	Warning Label	
9	29175	Grommet	
10	803837	Pressure Bulb	
11	36985	Hose Clip	
12	804483	Pressure Sensor Tube Assembly	
13	803891	Hose Clamp	
14	803864	Outer Tub Assembly	Through Serial No. 1910999999 except Serial Nos. 1908066087 to 1909000879
	807618	Outer Tub Assembly	Serial Nos. 1908066087 to 1909000879 and starting Serial No. 1911000001 to 2010999999
	807479	Outer Tub Assembly	Starting Serial No. 2011000001
15	803777P	Shock Assembly	Must replace all 4
16	803810	Counterweight	Through Serial No. 2012999999
	807476	Counterweight	Starting Serial No. 2101000001
17	803770	Tub Front	
18	806308	Foreign Object Deflector	Black; Includes screws
	806313	Foreign Object Deflector	Gray; Includes screws
	806361	Foreign Object Deflector	Tall; Gray; Includes screws
19	803801	Tub Front Seal	
20	803802	Clamp Ring	
21	F430218	Nut	
22	M400081	Washer	8 required
23	800462	Screw	
24	802596	Screw	
25	804467	Clothes Guard Deflector	
	805548	Clothes Guard Deflector	Heavy duty
26	803879	Tub Front Assembly	Includes items 17, 18, 24, 25 and 27
27	802343	Nut	

# Inner Basket, Trunnion, Bearing Housing and Pulley

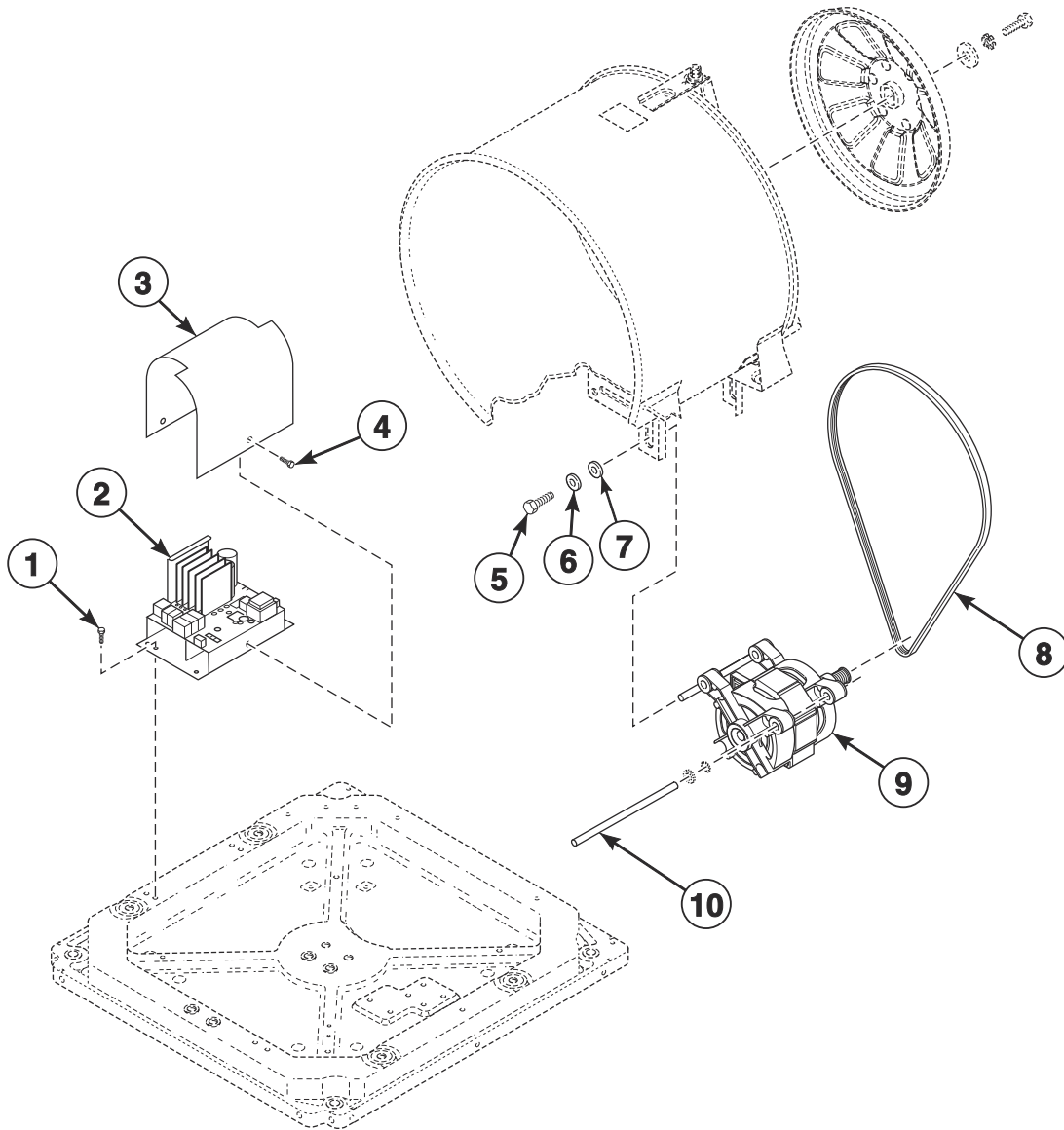


FLW1803P\_807224

## Inner Basket, Trunnion, Bearing Housing and Pulley

REF	PART NO.	DESCRIPTION	COMMENTS
	27604P	Anti-Seize Compound	Pulley to inner basket shaft
	805730	Bearing Kit	
1	804418	Nut	
2	804393	Balance Ring Assembly	
3	804382	Lifter	
4	804376P	Inner Basket Assembly Kit	
5	804374P	Inner Basket Assembly	
6	804699	Screw	
7	808043	Trunnion Shaft Kit	Includes hardware
8	804399	Screw	
9	800548	Screw	
10	803974	Pulley Assembly	
11	807679	Washer	
12	685831	Screw	Left hand thread
13	M403958	Washer	Used on pulley on models through Serial No. 1609046805
14	M400043	Screw	
15	800457	Washer	
16	805525	Bearing Housing Kit	Includes hardware and tool
17	800452	Nut	

# Motor and Belt



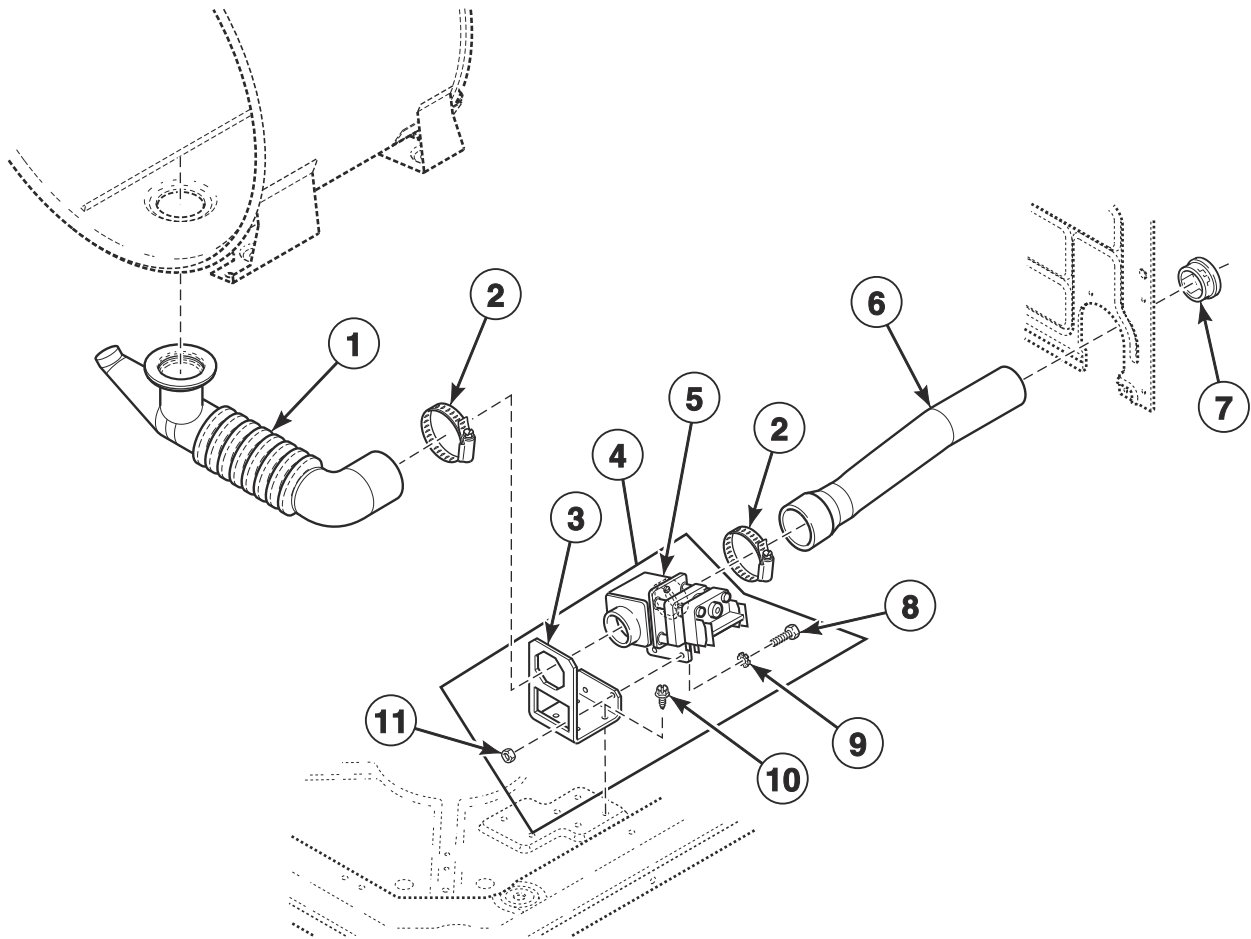
FLW1735P\_807224

## Motor and Belt

REF	PART NO.	DESCRIPTION	COMMENTS
	807441	Control Bracket	Starting Serial No. 2101000001
	F8206901	Screw	Starting Serial No. 2101000001; Use with 807441 Control Bracket
<b>1</b>	D503661	Screw	Through Serial No. 2012999999
<b>2</b>	807175P	Inverter Control Assembly	Through Serial No. 2012999999
	807240	Output Control Assembly	120 Volt; Without filter; Starting Serial No. 2101000001
	807243	Output Control Assembly	240 Volt; With filter; Starting Serial No. 2101000001
<b>3</b>	804878	Motor Control Shield	Through Serial No. 2012999999
<b>4</b>	D501524	Screw	
<b>5</b>	M400057	Screw	Through Serial No. 2010999999
	02916	Screw	Starting Serial No. 2011000001
<b>6</b>	02834	Washer	Through Serial No. 2010999999
<b>7</b>	M400080	Washer	Through Serial No. 2010999999
<b>8</b>	804985	Drive Belt	Through Serial No. 1910999999 except Serial Nos. 1908066087 to 1909000879
	807429P	Belt	Serial Nos. 1908066087 to 1909000879 and starting Serial No. 1911000001
<b>9</b>	805726P	Motor and Rod Assembly Kit	Includes item 10; Through Serial No. 2012999999
	808067P	Motor and Rod Assembly Kit	Includes item 10; Starting Serial No. 2101000001
<b>10</b>	803861	Motor Rod	Through Serial No. 2010999999
	807739	Motor Rod	Starting Serial No. 2011000001

# Drain Hoses and Valve

Gravity Drain Models



FLW1745P\_807224

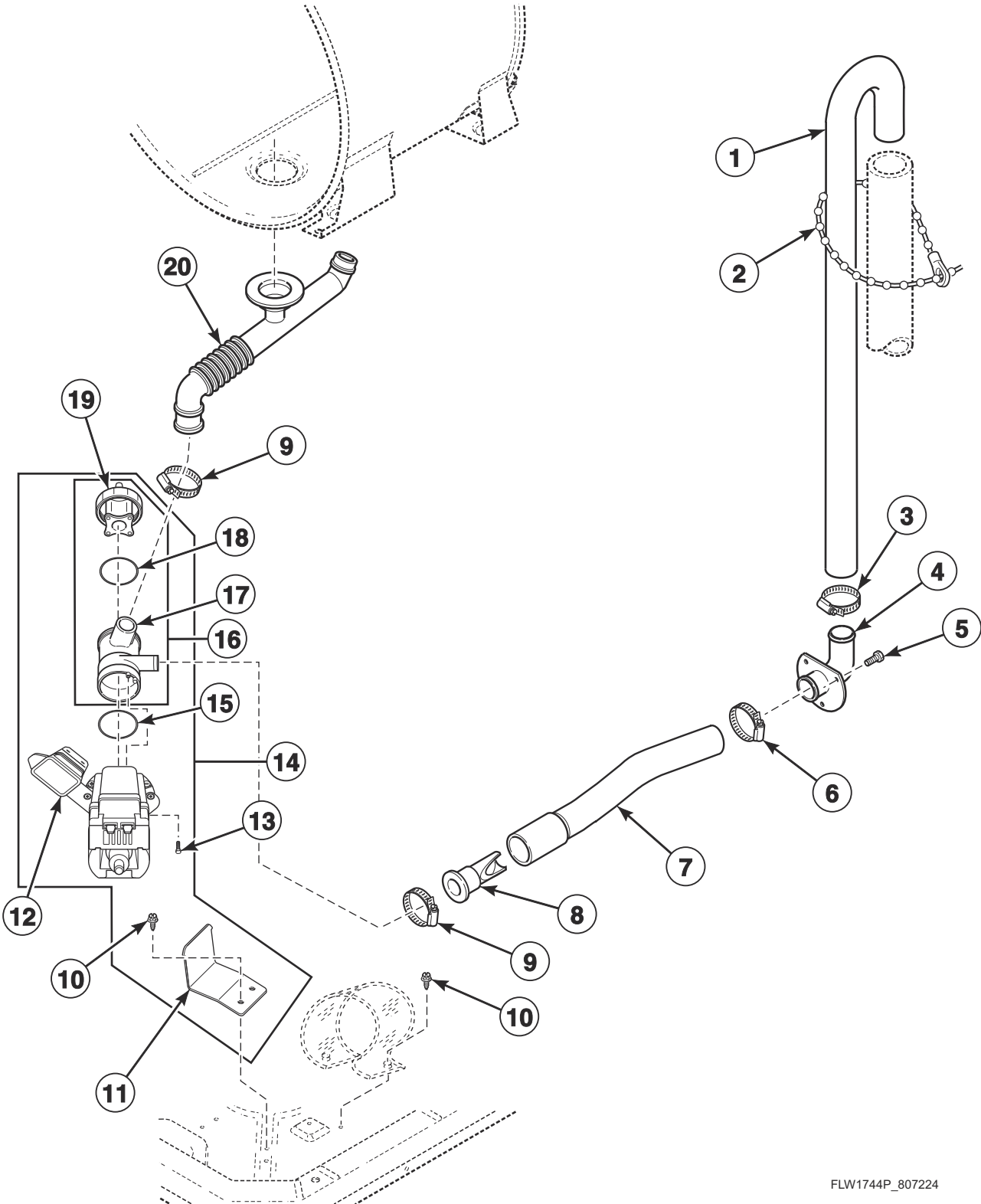


## Drain Hoses and Valve

REF	PART NO.	DESCRIPTION	COMMENTS
1	803874	Tub-to-Gravity Drain Hose	
	27615P	Sealant	Tub-to-drain hose to outer tub
2	685725	Hose Clamp	
3	803291	Gravity Drain Bracket	
4	F975P3	Drain Valve Kit	120 Volt; Includes items 3, 5 and 8-11
5	803293P	Drain Valve	120 Volt
6	800903	Drain-to-Cabinet Hose	
7	D503235	Snap Bushing	
8	02916	Screw	
9	M400017	Washer	
10	D503661	Screw	
11	29786	Nut	

# Drain Hose and Pump

Pump Models

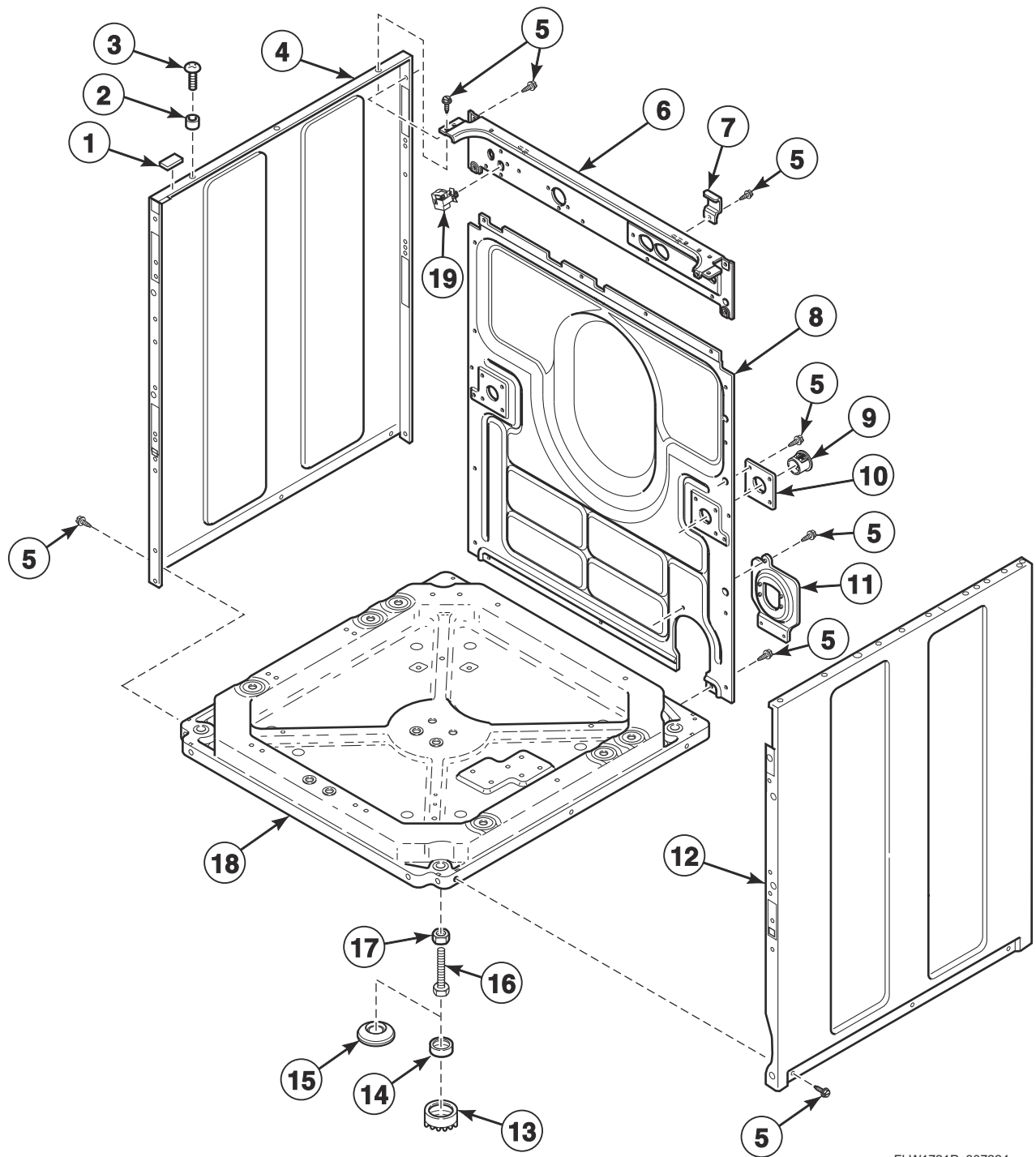


FLW1744P\_807224

## Drain Hose and Pump

REF	PART NO.	DESCRIPTION	COMMENTS
	805771	Pump-to-Gravity Drain Kit	120 Volt
1	27154	Drain Hose	
2	33489	Standpipe Strap	
3	20211	Hose Clamp	
4	35766	Drain Hose Elbow	
5	52909	Screw	
6	20391	Hose Clamp	
7	803734	Pump-to-Elbow Hose	
8	800310	Backflow Preventer	
9	F200204	Hose Clamp	
10	D503661	Screw	
11	803814	Drain Base Bracket	
12	803815	Drain Pump Isolator	
13	802431	Screw	
14	805724P	Drain Pump Assembly	120 Volt/60 Hertz; Includes items 11-13 and 15-19
15	802429P	O-Ring	
16	802434P	Pump Housing Assembly	Includes items 17-19
17	802428	Pump Housing	
18	802427	Gasket	
19	802426P	Lid Assembly	Includes filter
20	803829	Tub-to-Pump Hose	
	27615P	Sealant	Tub-to-pump hose to outer tub

# Side, Base and Rear Panels



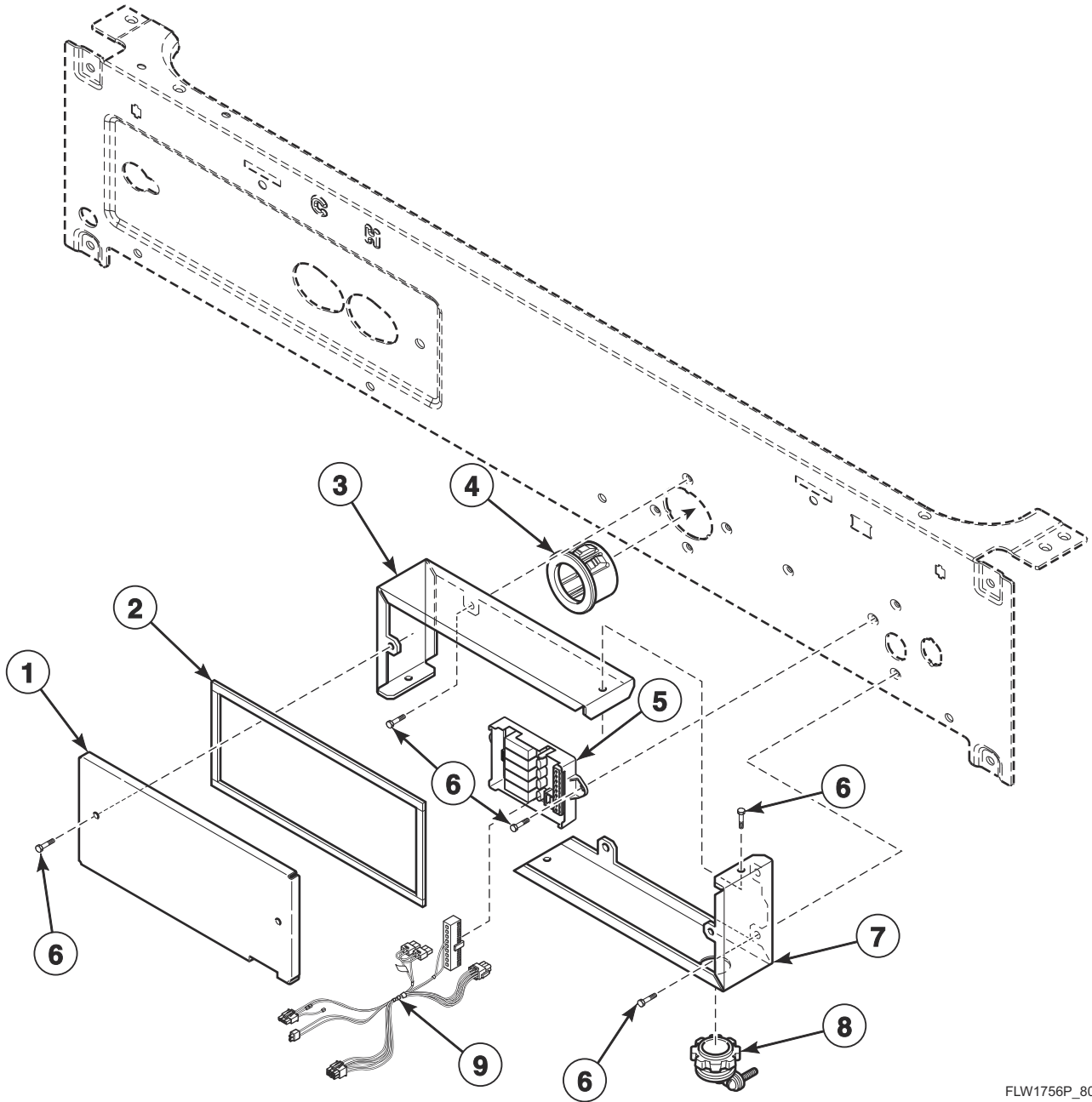
FLW1721P\_807224

## Side, Base and Rear Panels

REF	PART NO.	DESCRIPTION	COMMENTS
	122P4P	Porcelain Touch-Up Paint	White
	370P4P	Porcelain Touch-Up Paint	Bisque
	806436P	Paint	Dark gray
<b>1</b>	36226	Bumper Pad	
<b>2</b>	56079	Panel Locator	
<b>3</b>	39733	Screw	
<b>4</b>	800004WP	Cabinet Panel Kit	White; Left; Includes corner gusset with hardware
	800004QP	Cabinet Panel Kit	Bisque; Left; Includes corner gusset with hardware
	800004DG	Cabinet Side Panel	Dark gray; Left
<b>5</b>	D503661	Screw	
<b>6</b>	803790	Rear Panel	Fixed; Through Serial No. 1810000001
	806716	Rear Panel	Fixed; Starting Serial No. 1810000001
<b>7</b>	D510136	Top Hinge	
<b>8</b>	803789	Rear Panel	Removable
<b>9</b>	803859	Shipping Plug	
<b>10</b>	803851	Shipping Plate	
<b>11</b>	803833	Gravity Drain Bracket	Models PFNJCASG114TG01, PFNJCASG114TN01, PFNJCASG115TG01, PFNJCASG115TN01, PFNJCASG115TW01, PFNJEASG114CG01, PFNJEASG114CN01, PFNJEASG115CG01, PFNJEASG115CN01, PFNJEASG115CW01, PFNJBASG114CG01, PFNJBASG114CN01, PFNJBASG114TG01, PFNJBASG114TN01, PFNJBASG115CG01, PFNJBASG115CN01, PFNJBASG115CW01, PFNJBASG115TG01, PFNJBASG115TN01, PFNJBASG115TW01, SFNNCASG113TN01, SFNNCASG113TQ01, SFNNCASG113TW01, SFNNCASG115TN01, SFNNCASG115TQ01, SFNNCASG115TW01, SFNNEASG113CN01, SFNNEASG113CW01, SFNNEASG115CN01, SFNNEASG115CW01, SFNNXASG113TW01, SFNNXASG115TW01, SFNNYASG113TN01, SFNNYASG113TW01, SFNNYASG115TN01, SFNNYASG115TW01, SFNWCASG113TN01, SFNWCASG115TN01, SFNXYASG113TN01 and SFNXYASG115TN01
	803828	Drain Hose Bracket	All other models
<b>12</b>	800005DG	Cabinet Side Panel	Dark gray; Right
	806492	Side Panel Kit	White; Right
	800005QP	Side Panel Kit	Bisque; Right
<b>13</b>	D501855	Rubber Foot	Use to prevent movement on smooth surface floor coverings; Install over 2 existing front rubber feet (item 14)
<b>14</b>	34318	Rubber Foot	
<b>15</b>	155P3	Anchor	Includes 4 rubber discs with adhesive backing
	802844P	Anchor Floor Mount Assembly	Includes 2 rubber discs with adhesive backing
<b>16</b>	34319	Leveling Leg	
<b>17</b>	21899	Nut	
<b>18</b>	803876	Base Assembly	
<b>19</b>	203843	Pressure Sensor	

# Junction Box

Models SFNCAJP113TW01, SFNCAJP115TW01, SFNNAJP113CN01, SFNNAJP115CN01, SFNNAJP113TW01 and SFNNAJP115TW01

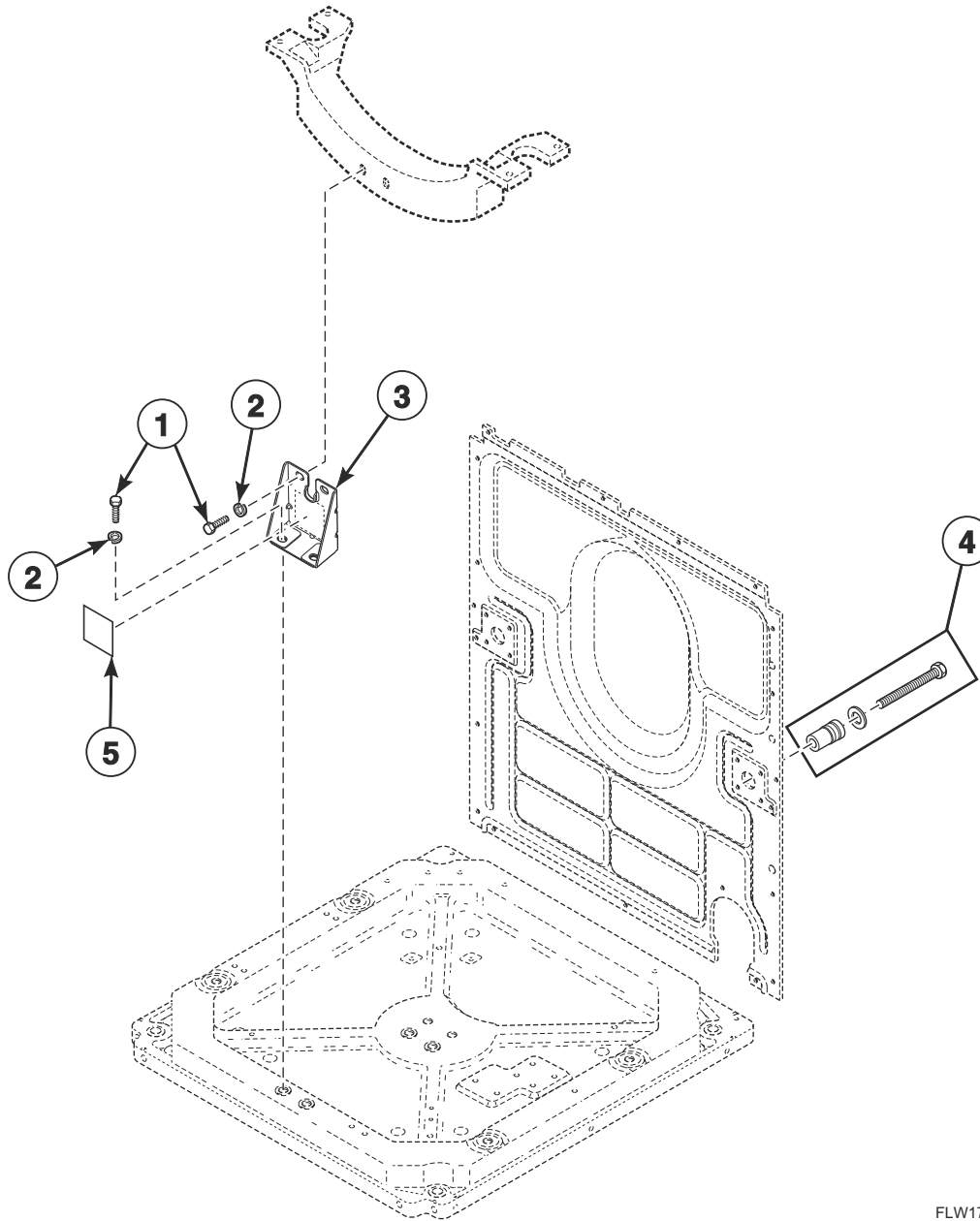


FLW1756P\_807224

# Junction Box

REF	PART NO.	DESCRIPTION	COMMENTS
1	803820	Junction Box Cover	
2	803832P	Junction Box Seal	
3	803827	Junction Box	Upper
4	M402542	Snap Bushing	
5	804528	Chemical Injection Control	
6	D503661	Screw	
7	804561	Junction Box	Lower
8	M400149	Connector	
9	804799	Supply Injection Wire Harness Assembly	Through Serial No. 2012999999
	807645	Supply Injection Wire Harness Assembly	Starting Serial No. 2101000001

# Shipping Materials



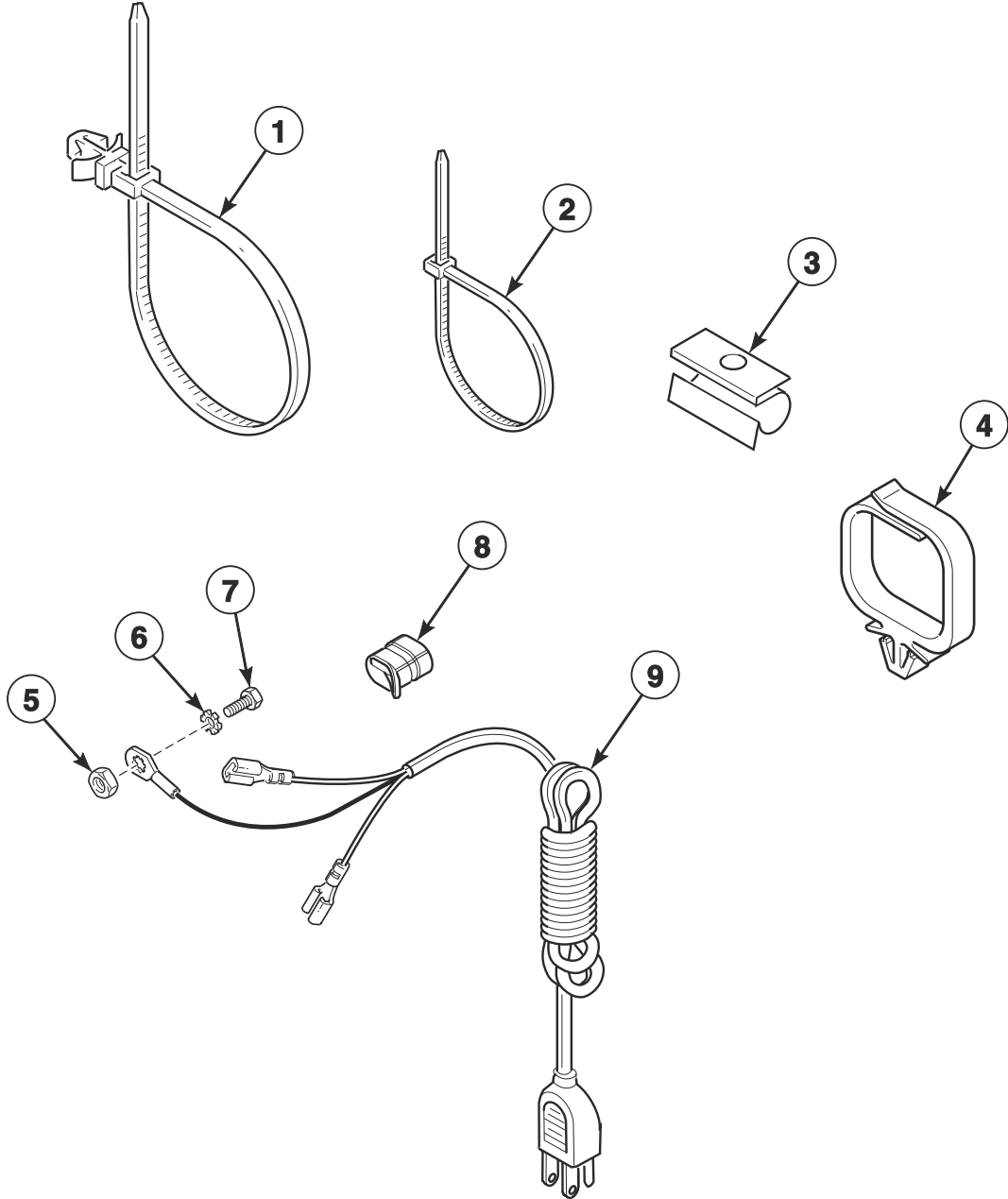
FLW1779P\_807224



# Shipping Materials

REF	PART NO.	DESCRIPTION	COMMENTS
	807550	Label	Remove shipping brace; Long tongue label
1	M400043	Screw	
2	M400014	Washer	
3	807448	Shipping Brace	
4	807452	Shipping Bolt Assembly	
5	807552	Shipping Bracket Label	Square label

# Wire Ties, Harness Clips and Lead-In Cord

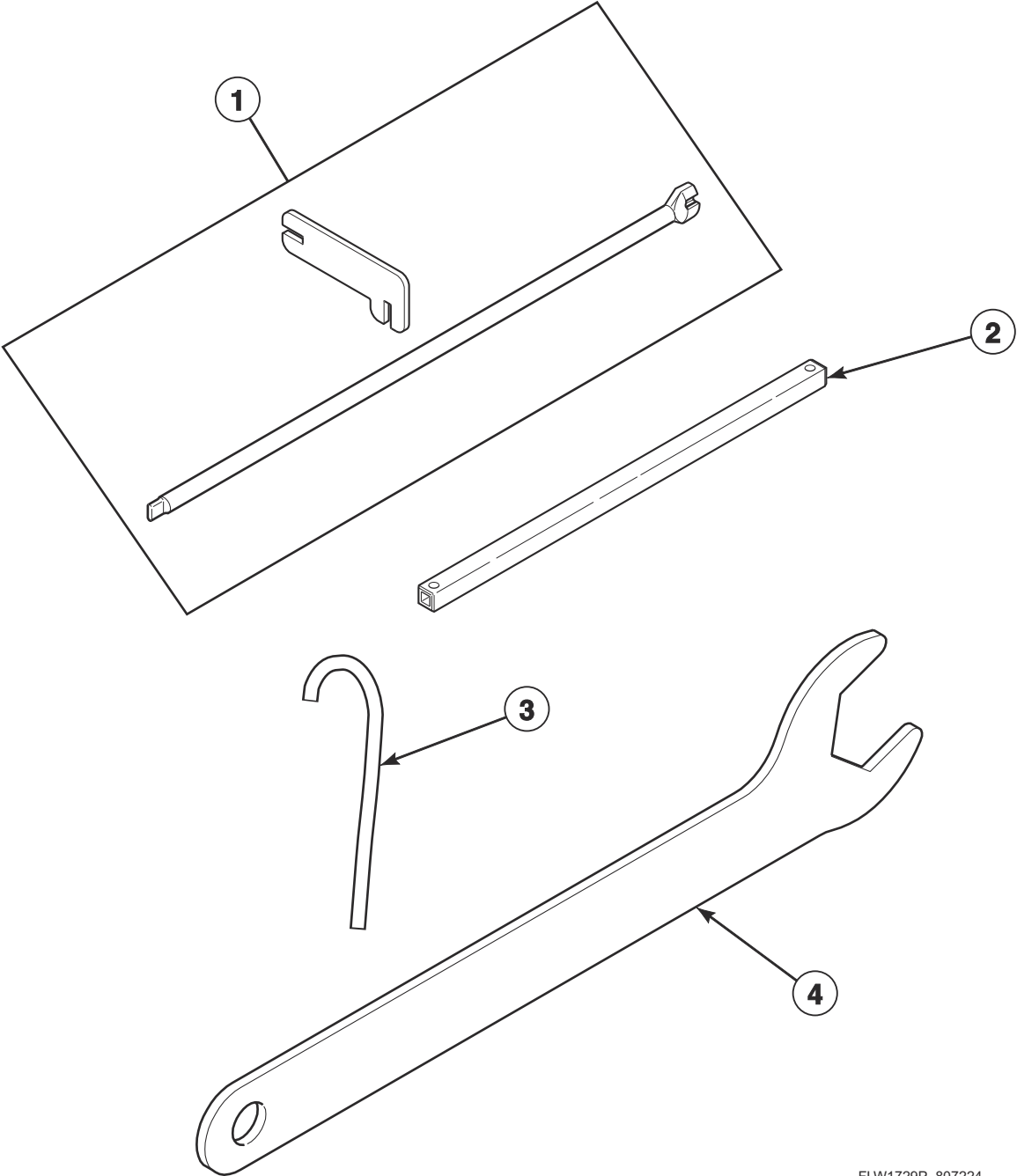


FLW1775P\_807224

## Wire Ties, Harness Clips and Lead-In Cord

REF	PART NO.	DESCRIPTION	COMMENTS
1	M405829	Cable Tie	6.13 inches
2	55881	Harness Strap	
3	36985	Hose Clip	
4	F8449502	Wire Clip	
5	03673	Nut	
6	03815	Washer	
7	20530	Screw	
8	38384	Strain Relief	
9	202777	Lead-In Cord	

# Special Tools

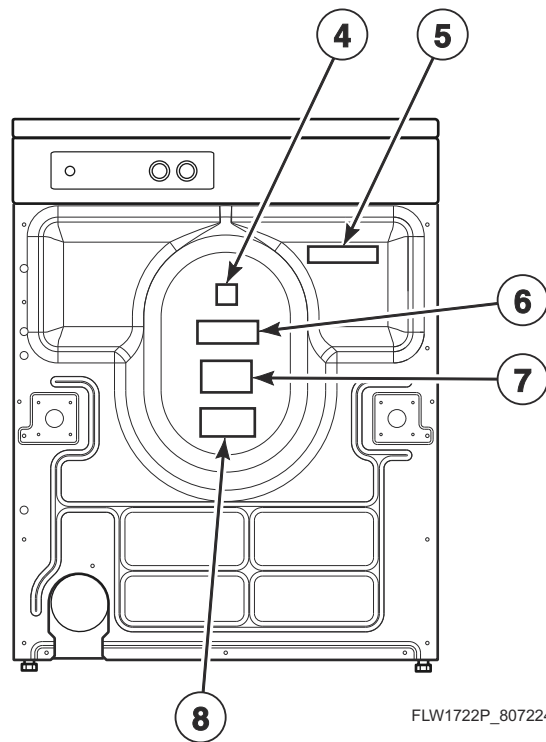
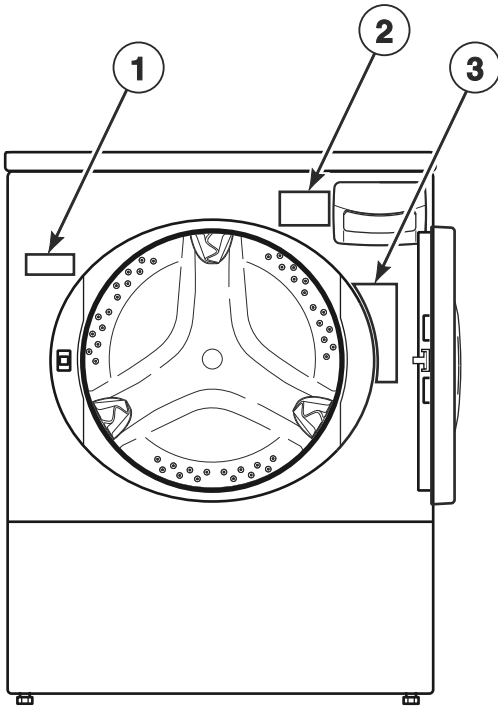


FLW1729P\_807224

## Special Tools

REF	PART NO.	DESCRIPTION	COMMENTS
1	CK096	Mounting Tool Kit	Use to install and remove electronic coin drop kits
2	310P4	Ratchet Extension Tool	1/4 inch; Use to install and remove non-electronic coin drops
3	802336	Pulley Bolt Tightening Fixture	Use to install inner basket
4	392P4	Wrench	Use for leveling leg locknuts

# Washer Labels

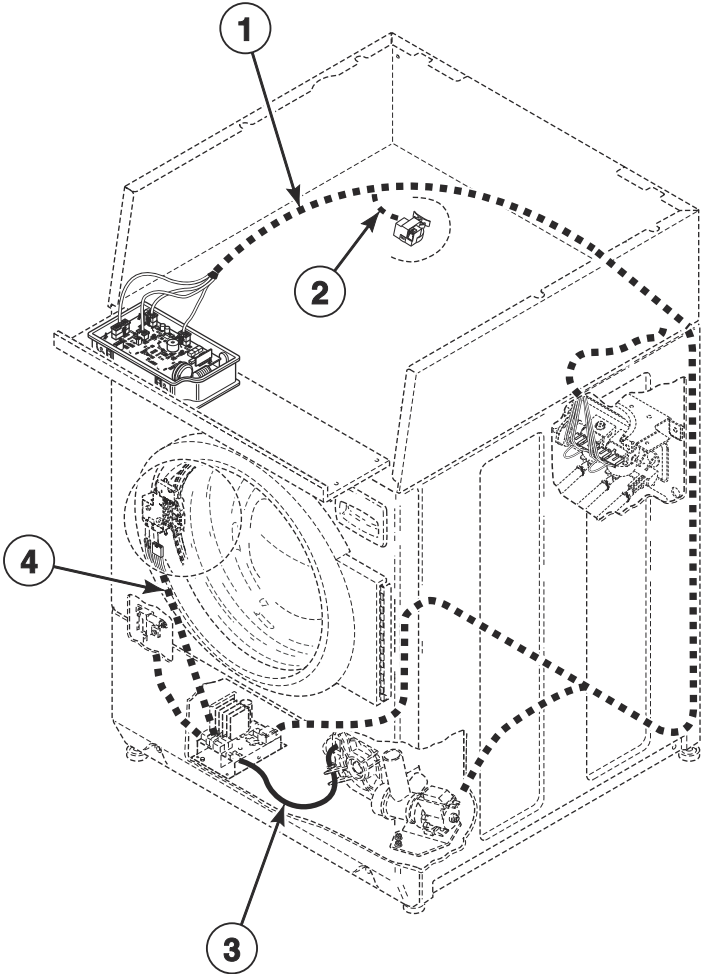


FLW1722P\_807224

## Washer Labels

REF	PART NO.	DESCRIPTION	COMMENTS
1	803011	Notice Label	
2	802074	Oversudsing Label	English
	802838	Oversudsing Label	Spanish
3	802367	Warning Label	Reduce Fire Risk
4	D513371	Read Instructions Label	
5	D505281	Disconnect Power Warning Label	English
	D500316	Warning Label	English/French; Disconnect Power
	801706	Caution Label	Icon; Ground Machine
6	685928	Left Hand Thread Label	Text
	804949	Left Hand Thread Label	Icon
7	803260	Warning Label	Disconnect Power
	F8211201	Electrical Shock Label	Icon
8	D500049	Warning Label	English
	D500314	Warning Label	English/French
	F8615701	Pinch Warning Label	Icon; Crush Hazard

# Wire Harnesses and Wires



FLW1780P\_807224



## Wire Harnesses and Wires

REF	PART NO.	DESCRIPTION	COMMENTS
	45001	18 Gauge Wire	Black; Order wire by foot and terminals and connectors as required
	807298	Power Harness	Starting Serial No. 2101000001
1	806030	Rear Control Harness	Models HFNNERSP113CW01, HFNNERSP115CW01, HFNNXRSP113CW01, HFNNYRSP113CW01, SFNNCRSP113TW01, SFNNCRSP113TW02, SFNNCRSP115TW02, SFNNERSP113CW02, SFNNERSP115CW02, SFNNXRSP113CW02, SFNNXRSP113TW02, SFNNXRSP115CW02, SFNNXRSP115TW02, SFNNYRSP113TW01, SFNNYRSP115TW01, SFNWCRSP115TW42, SFNWXRSP113TW02, SFNWXRSP115TW02, SFNWYRSP113TW01, SFNWYRSP115TW01 and SFNWYRSP115TW41 through Serial No. 2012999999
	807375	Rear Control Harness	Models HFNNERSP113CW01, HFNNERSP115CW01, HFNNXRSP113CW01, HFNNYRSP113CW01, SFNNCRSP113TW01, SFNNCRSP113TW02, SFNNCRSP115TW02, SFNNERSP113CW02, SFNNERSP115CW02, SFNNXRSP113CW02, SFNNXRSP113TW02, SFNNXRSP115CW02, SFNNXRSP115TW02, SFNNYRSP113TW01, SFNNYRSP115TW01, SFNWCRSP115TW42, SFNWXRSP113TW02, SFNWXRSP115TW02, SFNWYRSP113TW01, SFNWYRSP115TW01 and SFNWYRSP115TW41 starting Serial No. 2101000001
	806031	Front Control Harness	All other models through Serial No. 2012999999
	807346	Front Control Harness	All other models starting Serial No. 2101000001
2	804433	Pressure Sensor Harness	
3	806029	Motor Harness	Through Serial No. 2012999999
	807294	Motor Harness	Starting Serial No. 2101000001
4	806028	Door Lock Harness Assembly	Through Serial No. 2012999999
	807293	Door Lock Harness Assembly	Starting Serial No. 2101000001

**NOTE: Individual wires are not available separately. Order complete harness, or order wire by the foot. When applying terminals to wires, it is recommended that the terminals be soldered to the wires.**



# Parts Index

## A

Access Panel Assembly	
804617DGP .....	33
804617Q .....	33
804617W .....	33
804618 .....	33
Anchor	
155P3 .....	51
Anchor Floor Mount Assembly	
802844P .....	51
Anti-Seize Compound	
27604P .....	43

## B

Backflow Preventer	
800310 .....	49
Balance Ring Assembly	
804393 .....	43
Base Assembly	
803876 .....	51
Bearing Housing Kit	
805525 .....	43
Bearing Kit	
805730 .....	43
Belt	
807429P .....	45
Bolt	
203798 .....	27
29651 .....	11, 15, 23
Bracket	
D510146 .....	27, 29
Bumper Pad	
36226 .....	23, 25, 51

## C

Cabinet Panel Kit	
800004QP .....	51
800004WP .....	51
Cabinet Side Panel	
800004DG .....	51
800005DG .....	51
Cabinet Top Kit	
802247QP .....	11
Cable Tie	
M405829 .....	57
Card Insert Overlay	
D514391 .....	21
Caution Label	
801706 .....	61
Central Pay Harness	
805427 .....	5, 29, 31
Chemical Injection Control	
804528 .....	53

Chemical Injection Conversion Kit	
805938 .....	37
Clamp Ring	
803802 .....	41
Clip	
201572 .....	19
Clothes Guard Deflector	
804467 .....	41
805548 .....	41
Coin Box Extension Kit	
803578P .....	27
Coin Drop	
38963P .....	17
70441601P .....	17, 27
Coin Drop Assembly	
38462P .....	17
38463 .....	17
38464P .....	17
70441602 .....	17, 27
70441603 .....	17
Coin Drop Wire Harness	
201104 .....	19
Coin Identification Paper	
38725 .....	17, 19, 27
Compartment Cover	
803669 .....	37
803670 .....	37
Connector	
M400149 .....	53
801789 .....	15
Control Assembly	
806267P .....	7, 9, 23, 29, 31
806269P .....	9
807458 .....	9, 23, 29, 31
807460 .....	9
Control Bracket	
804612 .....	23
807441 .....	45
Control Hood	
D502567W .....	31
D511253W .....	29
Control Overlay	
805371 .....	31
805372 .....	29
805675 .....	25
806042 .....	25
807388 .....	25
Control Panel	
803962BP .....	15
803962DG .....	15
803962WP .....	15
Control Panel and Bracket Assembly	
800149W .....	31
Control Panel and Stud Assembly	
800710W .....	29
805512W .....	29
Control Panel Assembly	
804070B .....	7
804070DG .....	7
804070Q .....	7
804070W .....	7
804661W .....	25

N/A items do not appear in index.

804962 .....	25
804963 .....	25
Control Shield	
804363 .....	5, 23
Control Wrapper	
804627W .....	23
804630B .....	25
804630W .....	25
Counterweight	
803810 .....	41
807476 .....	41

## D

Detergent Hose	
804717 .....	37
Diagnostic Wire Harness Assembly	
202869 .....	25
Disconnect Power Warning Label	
D505281 .....	27, 29, 31, 61
Dispenser Assembly	
803698 .....	37
Dispenser Drawer	
803667 .....	37
Dispenser Handle	
804227B .....	37
804227WP .....	37
804228 .....	37
Dispenser Inlet Hose	
803849 .....	37, 39
807364 .....	37, 39
Dispenser Plate	
803843 .....	37
Door Assembly	
804083QP .....	33
804083WP .....	33
804210P .....	33
805550 .....	33
Door Catch Assembly	
802803 .....	33
Door Glass	
802695P .....	33
Door Glass Mounting Plate	
804239 .....	33
Door Hinge	
802934 .....	33
Door Latch Assembly	
803920 .....	33
Door Lock Harness Assembly	
806028 .....	63
807293 .....	63
Door Seal	
804428P .....	33
Door Seal Assembly	
804429P .....	33
Drain Base Bracket	
803814 .....	49
Drain Hose	
27154 .....	49
Drain Hose Bracket	
803828 .....	51
Drain Hose Elbow	
35766 .....	49

Drain Pump Assembly	
805724P .....	49
Drain Pump Isolator	
803815 .....	49
Drain Valve	
803293P .....	47
Drain Valve Kit	
F975P3 .....	47
Drain-to-Cabinet Hose	
800903 .....	47
Drive Belt	
804985 .....	45
Dual Coin Harness Assembly	
202871 .....	17, 27

## E

Electrical Shock Label	
F8211201 .....	61
Electronic Coin Drop Assembly	
70294106 .....	19
70294122 .....	19
Electronic Coin Drop Kit	
CK110 .....	19
CK115 .....	19
End Cap	
210108W .....	29
210109W .....	29
Ethernet Gateway Kit	
NK320 .....	5, 7, 9, 29, 31
Expansion Clip	
70030501 .....	15, 21, 25

## F

Fill Hose	
203719 .....	39
203720 .....	39
Foam Pad	
804875 .....	37
Foreign Object Deflector	
806308 .....	41
806313 .....	41
806361 .....	41
Front Control Harness	
806031 .....	63
Front Panel	
802277QP .....	33
802277WP .....	33
802288P .....	33
Front Panel Assembly Kit	
806505W .....	35
806560 .....	35

## G

Gasket	
802427 .....	49
Glass Mounting Clip	
802700 .....	33

N/A items do not appear in index.

Gravity Drain Bracket	
803291 .....	47
803833 .....	51
Grommet	
29175 .....	41

## H

Harness	
804832 .....	29, 31
Harness Assembly	
802905 .....	19
Harness Strap	
55881 .....	57
Hinge	
D511036 .....	11
Hinge Plate	
802206 .....	33
Hood Back Panel	
804223 .....	31
Hose Clamp	
F200204 .....	49
F200206 .....	37
20211 .....	49
20391 .....	49
685725 .....	37, 47
802281 .....	33
803891 .....	41
807386 .....	37, 39
Hose Clip	
36985 .....	41, 57
800553 .....	41

## I

Inner Basket Assembly	
804374P .....	43
Inner Basket Assembly Kit	
804376P .....	43
Inner Door Bezel	
804562P .....	33
Inner Door Bezel Kit	
802307P .....	33
802331P .....	33
Inverter Control Assembly	
807175P .....	45

## J

Junction Box	
803827 .....	53
804561 .....	53
Junction Box Cover	
803820 .....	53
Junction Box Seal	
803832P .....	53

## K

Key	
54612 .....	7

## L

Label	
807550 .....	55
Lead-In Cord	
202777 .....	57
Left Hand Thread Label	
685928 .....	61
804949 .....	61
Leveling Leg	
34319 .....	51
Lid Assembly	
802426P .....	49
Lifter	
804382 .....	43
Lock Assembly	
804339P .....	5
Lock Cam	
804338 .....	5

## M

Machine ID Control Assembly	
203361P .....	5, 23, 29, 31
Meter Case Assembly	
202877W .....	27
802505W .....	27
803050W .....	27
807254DG .....	15
807396B .....	15
807396W .....	15
Meter Case Assembly Kit	
807401W .....	27
Meter Case Bracket Gasket	
35526 .....	27
Meter Case Gasket	
26354 .....	27
Meter Case Lockdown Bracket	
35525 .....	27
Meter Case Locking Bracket Kit	
204616 .....	27
Mixing Valve	
806509P .....	39
Mixing Valve Screen	
24122 .....	39
Motor and Rod Assembly Kit	
805726P .....	45
808067P .....	45
Motor Control Shield	
804878 .....	45
Motor Harness	
806029 .....	63
807294 .....	63
Motor Rod	
803861 .....	45
807739 .....	45

N/A items do not appear in index.

Mounting Tool Kit CK096 .....	59
----------------------------------	----

## N

Network Controller Kit NK220 .....	5, 7, 9, 29, 31
Network Retrofit Kit 203328 .....	5, 7, 9, 29, 31
Notice Label 803011 .....	61
Nut	
F430218 .....	41
03673 .....	57
201216 .....	19
21899 .....	51
23951 .....	33
27222 .....	27
29786 .....	17, 19, 27, 47
36020 .....	11, 33
44087101 .....	31
44087201 .....	11, 15
685846 .....	33
800452 .....	41, 43
802292 .....	37
802337 .....	27
802343 .....	41
804418 .....	43

## O

Operating Instruction Label	
804327 .....	15, 21
806194 .....	15
Opto Coupler 200674P .....	17, 27
O-Ring	
801632 .....	37
802429P .....	49
Outer Door Bezel	
803710BP .....	33
803710QP .....	33
803710WP .....	33
803711P .....	33
Outer Tub Assembly	
803864 .....	41
807479 .....	41
807618 .....	41
Out-of-Balance Switch Assembly	
803415 .....	41
807384 .....	41
Out-of-Balance Switch Bracket	
804457 .....	41
807280 .....	41
Output Control Assembly	
807240 .....	45
807243 .....	45
Overlay	
D514873 .....	21
201091 .....	15, 19, 27
804849 .....	7
804850 .....	31
805370 .....	29
805373 .....	7

N/A items do not appear in index.

806173 .....	7
Oversudsing Label	
802074 .....	61
802838 .....	61

## P

Paint	
806436P .....	51
Panel Locator 56079 .....	33, 51
Payment Center Kit	
205067 .....	5, 23, 29, 31
205068 .....	5, 23, 29, 31
205069 .....	7, 9, 23, 29, 31
205070 .....	7, 9, 23, 29, 31
Pinch Warning Label F8615701 .....	61
Pop Rivet	
685847 .....	11, 41
70058501 .....	27, 29
Porcelain Touch-Up Paint	
122P4P .....	51
370P4P .....	51
Power Harness 807298 .....	63
Pressure Bulb 803837 .....	41
Pressure Sensor 203843 .....	51
Pressure Sensor Harness 804433 .....	63
Pressure Sensor Tube Assembly 804483 .....	41
Pulley Assembly 803974 .....	43
Pulley Bolt Tightening Fixture 802336 .....	59
Pump Housing 802428 .....	49
Pump Housing Assembly 802434P .....	49
Pump-to-Elbow Hose 803734 .....	49
Pump-to-Gravity Drain Kit 805771 .....	49

## R

Ratchet Extension Tool 310P4 .....	59
Read Instructions Label D513371 .....	61
Rear Access Panel	
803998 .....	15, 21
804614 .....	25
Rear Control Harness 806030 .....	63
807375 .....	63
Rear Control Operating Instruction Label 805830 .....	27

Rear Panel	
D511254 .....	29
803789 .....	51
803790 .....	51
806716 .....	51
Rear Wrapper Brace	
805345 .....	23
Rubber Foot	
D501855 .....	51
34318 .....	51

## S

Screw	
D501086 .....	29, 31
D501524 .....	29, 31, 45
D503661 .....	13, 27, 29, 31, 33, 45, 47, 49, 51, 53
D503673 .....	27
D503688 .....	5, 21, 23, 25
F8206901 .....	45
M400043 .....	43, 55
M400057 .....	45
02916 .....	31, 45, 47
20530 .....	27, 29, 57
23008 .....	11
36048 .....	27
39733 .....	23, 33, 51
52864 .....	29, 31
52909 .....	49
685831 .....	43
70240301 .....	15, 21
800461 .....	41
800462 .....	41
800548 .....	33, 37, 43
801001 .....	37
801019 .....	33
801045 .....	33
801993 .....	33
802431 .....	49
802596 .....	41
803527P .....	25
804399 .....	43
804647 .....	7
804699 .....	43
806086 .....	33
Sealant	
27615P .....	47, 49
Security Cabinet Assembly	
804149B .....	21
804149WP .....	21
Service Door Assembly	
39874WP .....	27
Shipping Bolt Assembly	
807452 .....	55
Shipping Brace	
807448 .....	55
Shipping Bracket Label	
807552 .....	55
Shipping Plate	
803851 .....	51
Shipping Plug	
803859 .....	51
Shock Assembly	
803777P .....	41

Side Panel Kit	
800005QP .....	51
806492 .....	51
Single Coin Harness Assembly	
202870 .....	17, 27
Single Overlay	
38717 .....	15, 17, 27
Snap Bushing	
D503235 .....	47
M402542 .....	53
Standpipe Strap	
33489 .....	49
Strain Relief	
38384 .....	57
Supply Injection Wire Harness Assembly	
804799 .....	53
807645 .....	53
Switch	
D512973 .....	5, 15, 27

## T

Top Hinge	
D510136 .....	51
Top Kit	
D511527WP .....	27
Top Mounting Bracket	
D504228 .....	11
Top Panel	
803868Q .....	11
803868WP .....	11
803869 .....	11
804023DG .....	11
804684 .....	23
804685WP .....	23
Top Panel Brace Assembly	
804613 .....	25
Top Panel Guide	
803761 .....	23
Top Panel Kit	
D511530WP .....	29
Transformer	
201375P .....	19
202757 .....	5, 29, 31
Transformer Harness	
804795 .....	5
Transformer Kit	
203423 .....	5, 29, 31
Trunnion Shaft Kit	
808043 .....	43
Tub Front	
803770 .....	41
Tub Front Assembly	
803879 .....	41
Tub Front Seal	
803801 .....	41
Tubing	
801635 .....	37
Tub-to-Gravity Drain Hose	
803874 .....	47
Tub-to-Pump Hose	
803829 .....	49

N/A items do not appear in index.

---

## U

Union	
801788 .....	15
USB Gateway Kit	
NK330 .....	5, 7, 9, 29, 31
USB IR Interface Kit	
203346 .....	5, 7, 9, 29, 31

---

## W

Warning Label	
D500049 .....	41, 61
D500314 .....	61
D500316 .....	27, 29, 31, 61
802367 .....	61
803260 .....	61
Washer	
M400014 .....	55
M400017 .....	31, 47
M400080 .....	45
M400081 .....	41
M403958 .....	43
02834 .....	45
03815 .....	57
200608 .....	29, 31
20290 .....	39
800457 .....	43
802254 .....	39
803615 .....	39
804458 .....	41
807679 .....	43
Wire Clip	
F8449502 .....	57
Wire Guard	
201595P .....	17, 27
Wire Ring and Spring	
806466 .....	33
Wireless Network Board Harness	
F8536002 .....	13
Wireless Network Kit	
203889 .....	5, 7, 9, 13, 29, 31
Wire, 18 Gauge	
45001 .....	63
Wiring Harness Assembly	
202868 .....	5
202869 .....	29
Wrapper Assembly	
804103B .....	15
804104B .....	15
804104DG .....	15
804104W .....	15
804112B .....	21
804112W .....	21
Wrench	
392P4 .....	59

---