



SL20

Parts Manual

Phase 8

American Dryer Corporation
88 Currant Road
Fall River, MA 02720-4781
Telephone: (508) 678-9000 / Fax: (508) 678-9447
E-mail: techsupport@amdry.com

www.amdry.com

Retain This Manual In A Safe Place For Future Reference

American Dryer Corporation products embody advanced concepts in engineering, design, and safety. If this product is properly maintained, it will provide many years of safe, efficient, and trouble free operation.

ONLY qualified technicians should service this equipment.

OBSERVE ALL SAFETY PRECAUTIONS displayed on the equipment or specified in the installation manual included with the dryer.

The following “**FOR YOUR SAFETY**” caution must be posted near the dryer in a prominent location.

FOR YOUR SAFETY

Do not store or use gasoline or other flammable vapors and liquids in the vicinity of this or any other appliance.

POUR VOTRE SÉCURITÉ

Ne pas entreposer ni utiliser d'essence ni d'autres vapeurs ou liquides inflammables à proximité de cet appareil ou de tout autre appareil.

We have tried to make this manual as complete as possible and hope you will find it useful. ADC reserves the right to make changes from time to time, without notice or obligation, in prices, specifications, colors, and material, and to change or discontinue models.

Important

For your convenience, log the following information:

DATE OF PURCHASE _____ MODEL NO. **SL20**
RESELLER'S NAME _____
Serial Number(s) _____

Replacement parts can be obtained from your reseller or the ADC factory. When ordering replacement parts from the factory, you can FAX your order to ADC at (508) 678-9447 or telephone your order directly to the ADC Parts Department at (508) 678-9000. Please specify the dryer model number and serial number in addition to the description and part number, so that your order is processed accurately and promptly.

The illustrations on the following pages may not depict your particular dryer exactly. The illustrations are a composite of the various dryer models. Be sure to check the descriptions of the parts thoroughly before ordering.

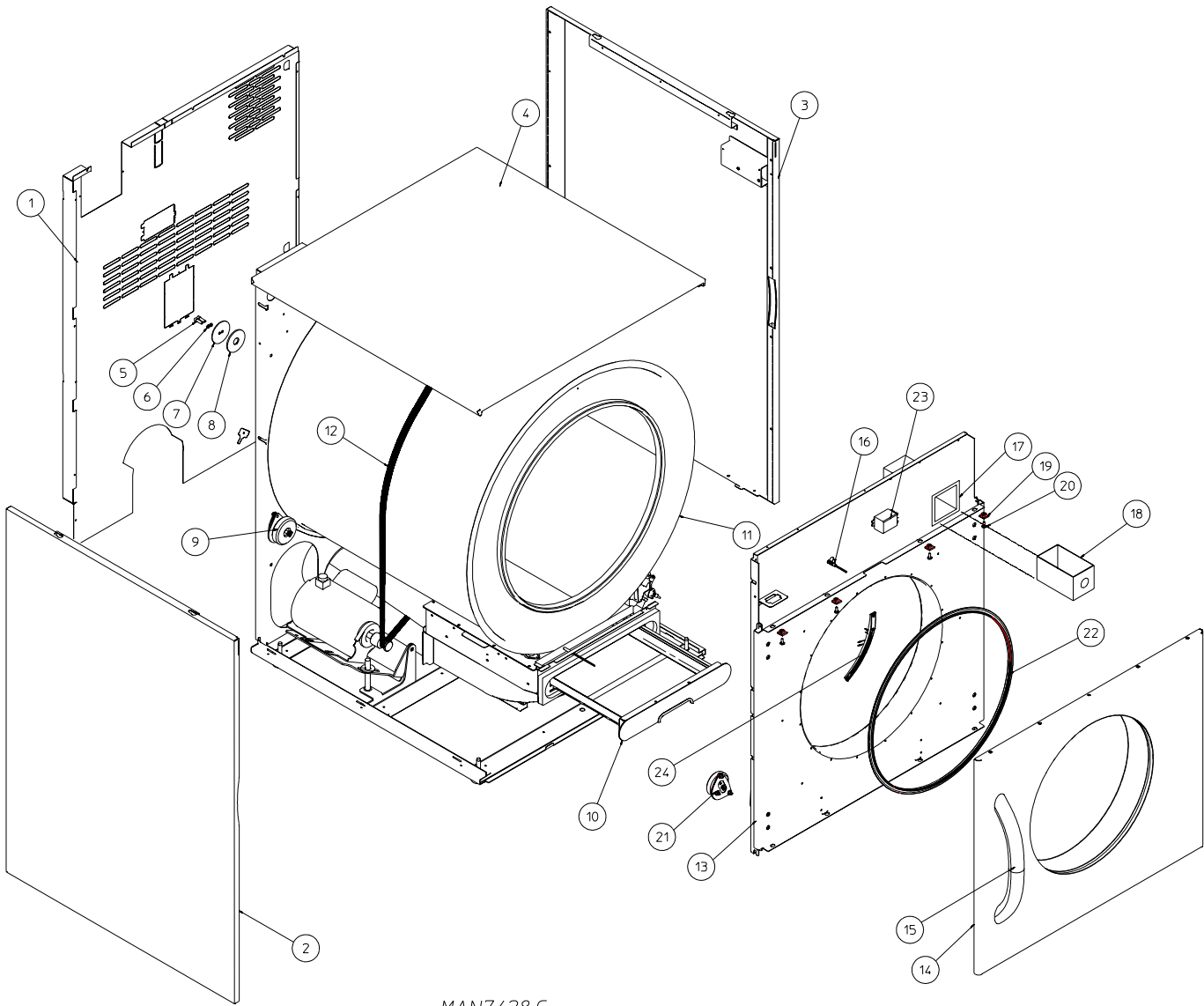
“IMPORTANT NOTE TO PURCHASER”

Information must be obtained from your local gas supplier on the instructions to be followed if the user smells gas. These instructions must be posted in a prominent location near the dryer.

Table of Contents

Parts Diagram	4
Parts List	5
Control / Toe Panels	6
Drive Motor	8
Blower Housing / Back Panel	10
Gas and Electric Burner Assemblies	12
S.A.F.E. System Assembly Parts Diagram / List	14
Wheel Assembly Parts Diagram / List	14
Pedestal Assembly Parts Diagram / List	15

Parts Diagram

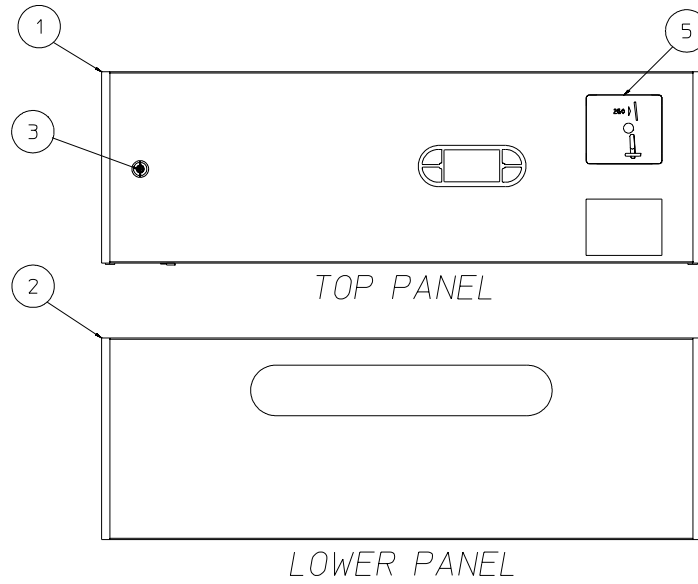


MAN7428.C

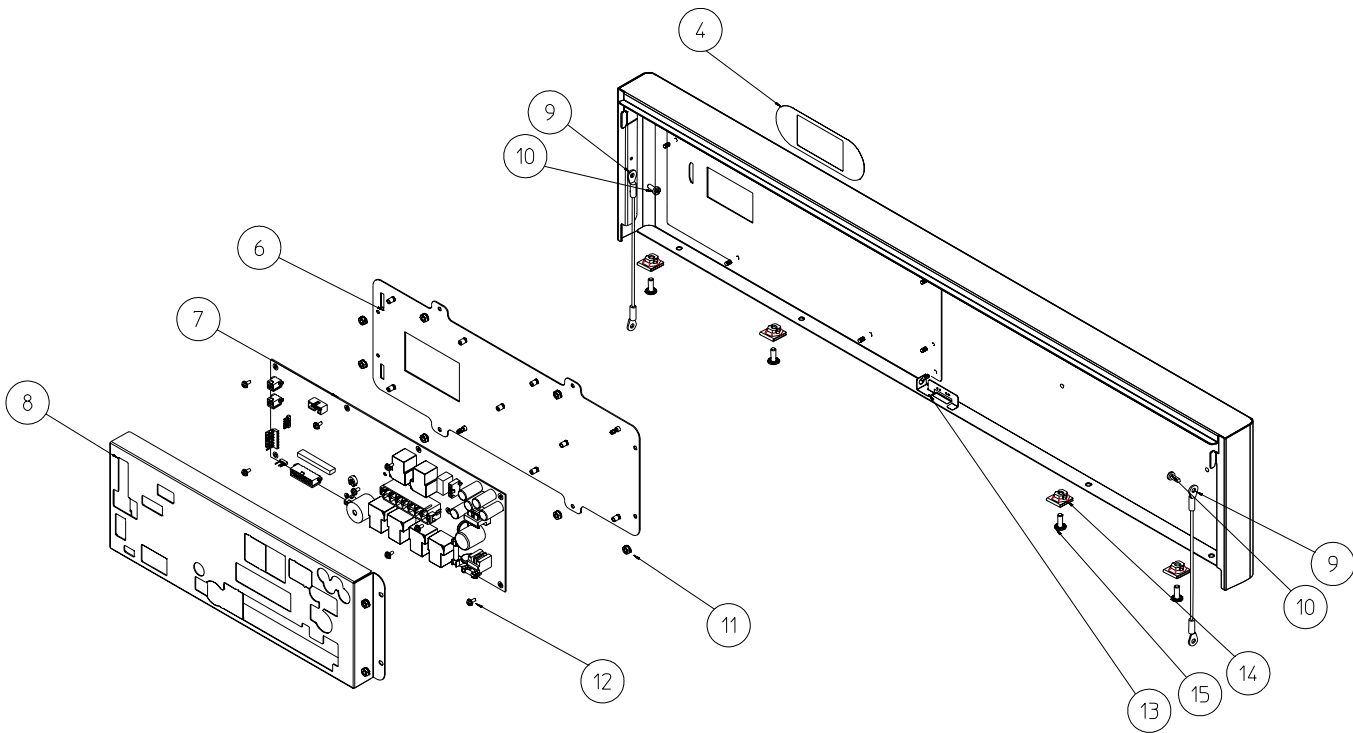
<u>Illus. No.</u>	<u>Part No.</u>	<u>Qty.</u>	<u>Description</u>
1	818770	1	Back Guard Assembly
	819377	1	Exhaust Transition Bracket (for models mfd. as of April 6, 2006)
	185024	1	Exhaust Transition Bracket (for models mfd. prior to April 6, 2006)
2	818756	1	Left Side Panel Assembly
3	818757	1	Right Side Panel Assembly
4	818771	1	Outer Top Panel Assembly
5	153064	2	1/4-20 x 1/2" Bolt
6	153072	2	Spring Washer
7	185426	1	Backup Washer
8	153048	2	Inner Friction Pad
9	818728	1	Rear Left Wheel Bracket Assembly (refer to Parts Break Down on page 14)
	818729	1	Rear Right Wheel Bracket Assembly (refer to Parts Break Down on page 14)
10	819345*	1	Lint Screen Assembly (Painted)
	818802	1	Lint Screen Assembly (Stainless Steel)
11	818115	1	Tumbler Assembly (Stainless Steel)
	115910	1	Rear Tumbler Felt
	115906	1	Front Tumbler Felt
12	100197	1	Belt
13	819679	1	Front Panel Assembly (Coin)
	819363	1	Front Panel Assembly (Non-Coin)
	102004	2	Magnet
	102005	2	Magnet Blank
14	819392	1	Door Assembly Right Hinge (White)
	819399	1	Door Assembly Right Hinge (Stainless Steel)
	819394	1	Door Assembly Left Hinge (White)
	819391	1	Door Assembly Left Hinge (Stainless Steel)
	103067	2	Door Hinge
15	170233*	1	Handle
16	818370	1	Rotation Sensor Assembly
17	818821	1	Coin Vault
18	125915	1	Coin Box Assembly with 2 Keys
19	154061	8	U-Nut Retainer
20	183129	8	T-20 Truss Head Machine Screw
21	818713	1	Front Right Wheel Assembly (refer to Parts Break Down on page 14)
	818714	1	Front Left Wheel Assembly (refer to Parts Break Down on page 14)
22	102396	1	Door Gasket
23	131819	1	Reversing Contactor – 120V
	131818	1	Reversing Contactor – 208-240V
24	819357	1	Moisture Sensor Assembly

* Specify color when ordering.

Control / Toe Panels



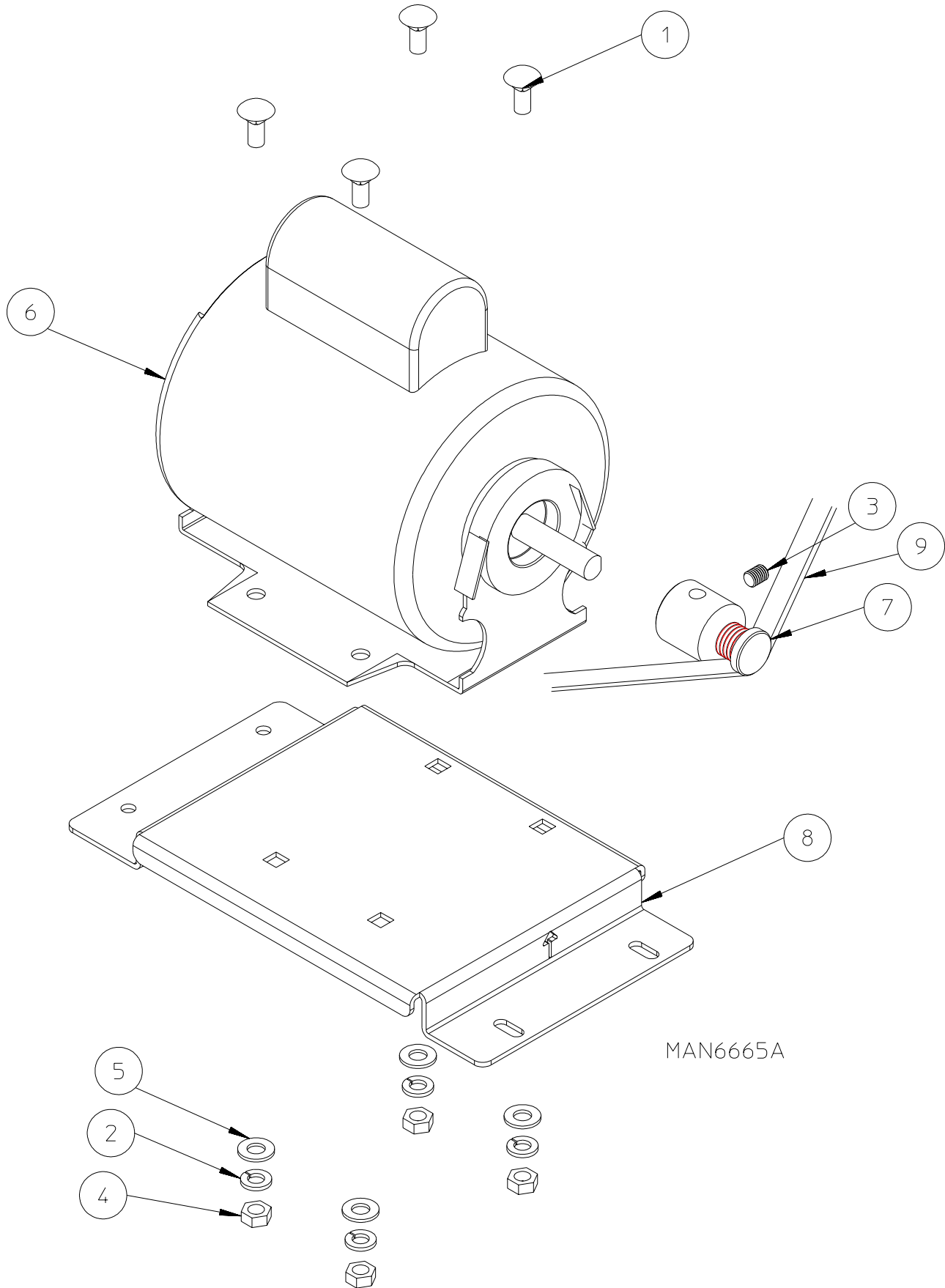
MAN7540A



<u>Illus. No.</u>	<u>Part No.</u>	<u>Qty.</u>	<u>Description</u>
1	814703	1	Phase 8 Control Door Assembly (Coin) (includes illus. nos. 1 through 4 and 7 through 13)
	814704	1	Phase 8 Control Door Assembly (Non-Coin) (includes illus. nos. 1 through 4 and 7 through 13)
	814702	1	Phase 8 Control Door (Coin)
	814701	1	Phase 8 Control Door (Non-Coin)
2	185108*	1	Toe Panel (White)
	185020	1	Toe Panel (Stainless Steel)
3	160071	1	Keylock Switch (for models mfd. as of December 21, 2010)
	122200	1	Program Switch (for models mfd. prior to December 21, 2010)
	154004	1	Twin Speed Nut (for models mfd. prior to December 21, 2010)
	160066	1	1-1/8" Long Cam (for models mfd. prior to December 21, 2010)
	160140	1	Key (for models mfd. prior to December 21, 2010)
	160038	1	Lock (for models mfd. prior to December 21, 2010)
	4	112587	1
5	112586	1	Keypad (Non-Coin)
	818213	1	Coin Acceptor (25¢ Coin)
6	819264	1	Coin Acceptor (Programmable – Euro)
	819807	1	Optic Switch Assembly (for 25¢ Coin Acceptors)
	819658	1	Computer Mounting Panel (for models mfd. prior to December 21, 2010)
7	887102	1	Phase 8 Computer (for models mfd. without the "S.A.F.E. System")
	887103	1	Phase 8 Computer (for models mfd. with the "S.A.F.E. System")
	136116	1	3-amp Fuse
	136054	1	15-amp Fuse
8	333836	1	Phase 8 Control Cover (for models mfd. as of December 21, 2010)
	350250	1	Phase 8 Control Cover (for models mfd. prior to December 21, 2010)
9	121530	2	Control Door Support Cable
10	150331	2	1/2" Pan Head TORX® Screw
11	153073	6	8/32" Nut (for models mfd. prior to December 21, 2010)
	12	152022	10
13	819196	1	Door Switch Assembly
14	154061	4	U-Nut Retainer
15	183129	4	T-20 Machine Screw

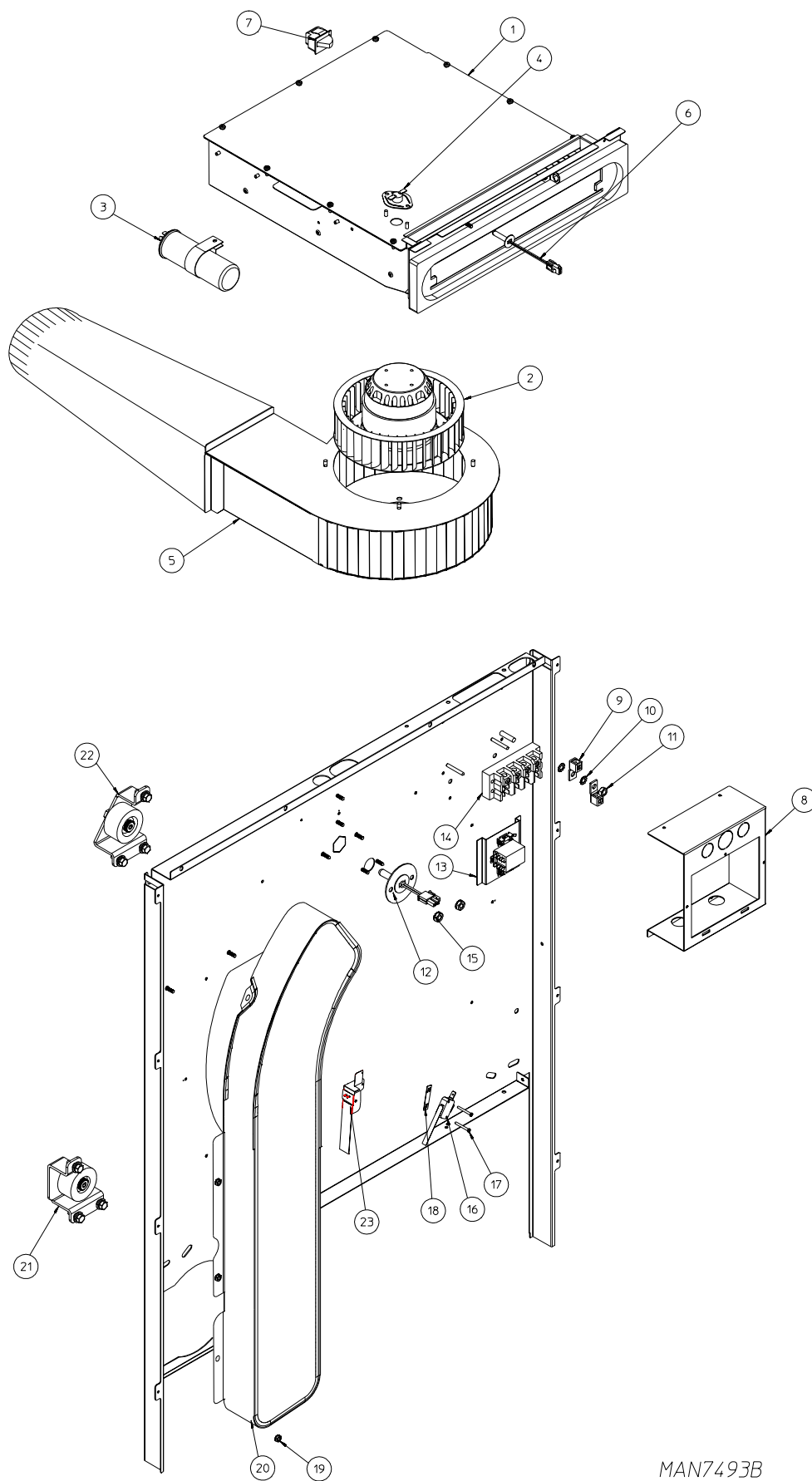
* Specify color when ordering.

Drive Motor



<u>Illus. No.</u>	<u>Part No.</u>	<u>Qty.</u>	<u>Description</u>
1	154279	4	5/16-18 x 3/4" Carriage Bolt
2	153002	4	5/16" Lock Washer
3	154321	1	Setscrew
4	152004	4	5/16-18 Hex Nut
5	153001	4	5/16" Flat Washer
6	815229	1	1/4 hp Motor Mount Complete – 60 Hz (includes illus. nos. 1 through 8)
	815228	1	1/4 hp Motor Mount Complete – 50 Hz (includes illus. nos. 1 through 8)
	884343	1	1/4 hp Motor with Sheave – 60 Hz
	887070	1	1/4 hp Motor with Sheave – 50 Hz
7	185001	1	Motor Sheave – 60 Hz
	185000	1	Motor Sheave – 50 Hz
8	315496	1	Motor Base
9	100197	1	Drive Belt

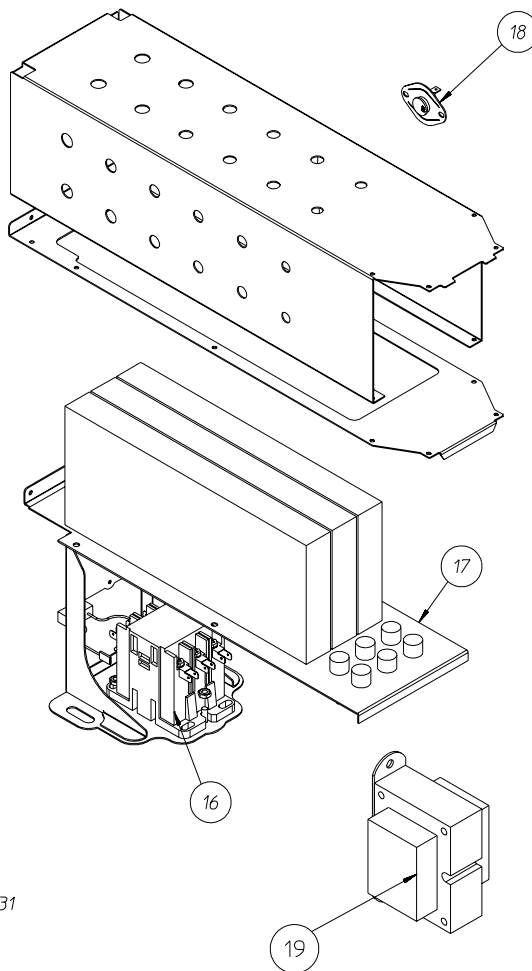
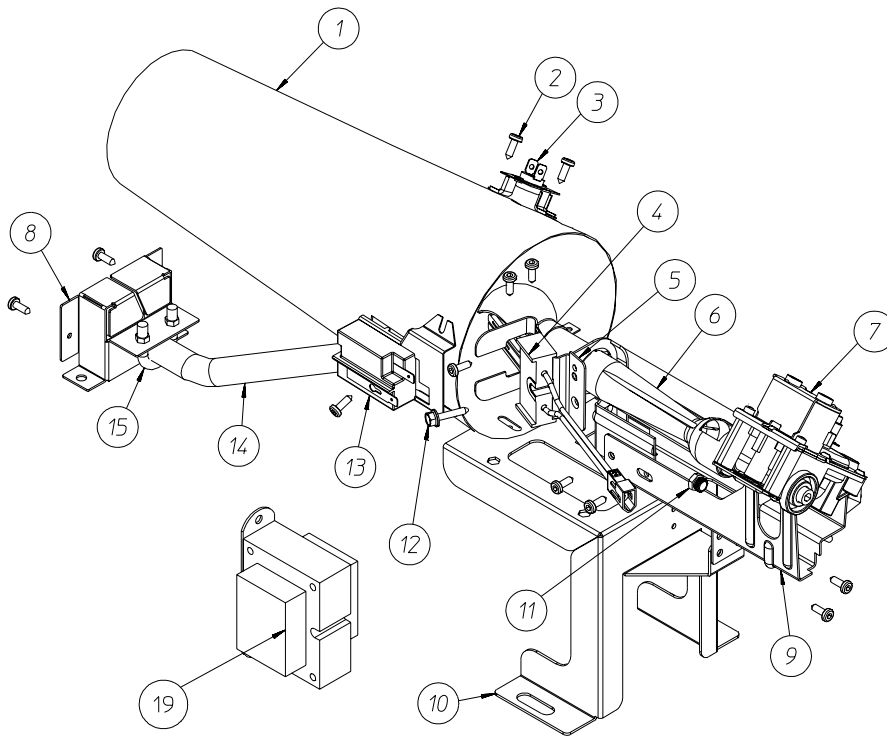
Blower Housing / Back Panel



MAN7493B

<u>Illus. No.</u>	<u>Part No.</u>	<u>Qty.</u>	<u>Description</u>
1	887240	1	Lint Box / Blower Assembly Complete 120V 60 Hz (for models mfd. as of April 6, 2006)
	887250	1	Lint Box / Blower Assembly Complete 120V 60 Hz (for models mfd. prior to April 6, 2006)
	887243	1	Lint Box / Blower Assembly Complete 200-240V 60 Hz (for models mfd. as of April 6, 2006)
	887251	1	Lint Box / Blower Assembly Complete 200-240V 60 Hz (for models mfd. prior to April 6, 2006)
2	818975	1	Blower Motor 120V
	819277	1	Blower Motor 200-240V
3	100623	1	25 MFD Capacitor (for 120V models)
	100633	1	6 MFD Capacitor (for 208-240V models)
4	130119	1	L190 Automatic Thermostat
5	185139	1	Blower Housing Formed with Back Draft Damper
	818725	1	Blower Housing Made In-House
6	818986	1	Exhaust Temperature Sensor Assembly
7	122002	1	Lint Drawer Switch
8	819651	1	Rear Electrical Box
9	121010	1	Terminal Lug
10	153021	1	1/4" Shakeproof Washer
11	152002	1	1/4-20 Hex Nut
12	819188	1	Axial Temperature Sensor Assembly
13	819648	1	Split Phase Relay Assembly
	131818	1	25-amp 240V Relay
	136054	2	15-amp Slo-Blo Fuse
	136008	2	Fuse Holder
14	120728	1	Quick-Connect Terminal Block
15	153073	2	#8-32 KEPS Nut
16	122200	2	Sail Switch
17	150025	2	#4-40 x 1" Phillips Screw
18	154004	1	Twin Speed Nut
19	153073	10	#8-32 KEPS Nut
20	185290	1	Heat Duct
21	818729	1	Rear Right Wheel Bracket Assembly (refer to Parts Break Down on page 14)
22	818728	1	Rear Left Wheel Bracket Assembly (refer to Parts Break Down on page 14)
23	819426	1	Sail Switch Assembly (includes illus. nos. 16 through 18)

Gas and Electric Burner Assemblies

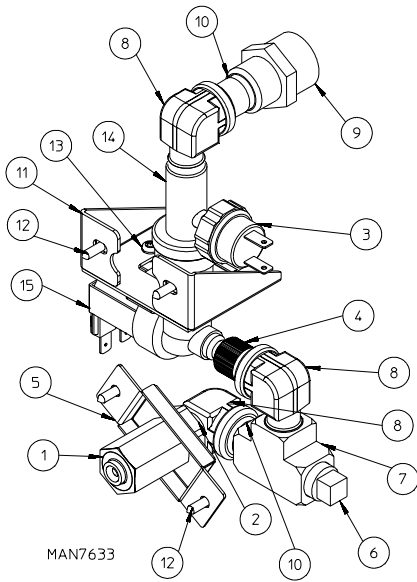


MAN7631

<u>Illus. No.</u>	<u>Part No.</u>	<u>Qty.</u>	<u>Description</u>
1*	818891	1	Burner Assembly – 60 Hz
	819324	1	Burner Assembly – 50 Hz
2	150331	2	#8-18 x 1/2" T-20 TORX® Screw
3	183112	1	High-Limit Thermostat (Gas)
4	128910	1	Globar®
5	185063	1	Ignitor Bracket
6	183144	1	Inshot Burner Tube, Hot Surface Ignition
7	128944	1	Gas Valve 120 VAC 60 Hz
	128907	1	Gas Valve 120 VAC 50 Hz
	884110	1	Liquid Propane Conversion Kit
	141318	1	3/8" 90° Union Shutoff
8	318835	1	Gas Pipe Bracket
9	185061	1	Hot Surface Ignition Burner Base Bracket
10	318979	1	Gas Train Support Bracket
11	140880	1	Natural Gas #22 Burner Orifice
	140905	1	Liquid Propane Gas #44 Burner Orifice
12	183145	1	#8-32 x 7/8" Hex Screw with Washer
13	130500	1	Radiant Control
14	185179	1	Gas Pipe
15	154356	1	U-Bolt with Nuts for 3/8" Pipe
16	131322	1	30-amp 240V Contactor
	131321	1	30-amp 120V Contactor
17	120089	1	Electric Element
18	130400	1	High-Limit Thermostat (Electric)
19	132029	1	208-240V to 120V Transformer

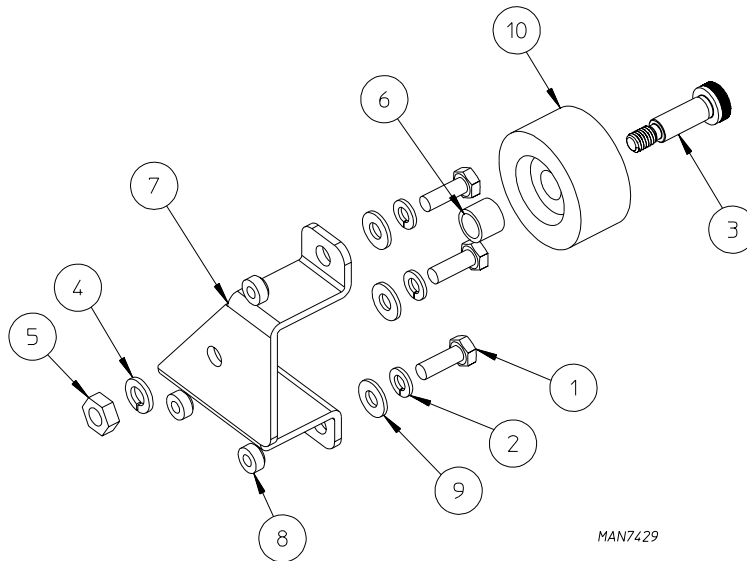
* Orifices are not included and must be purchased separately.

S.A.F.E. System Assembly Parts Diagram / List



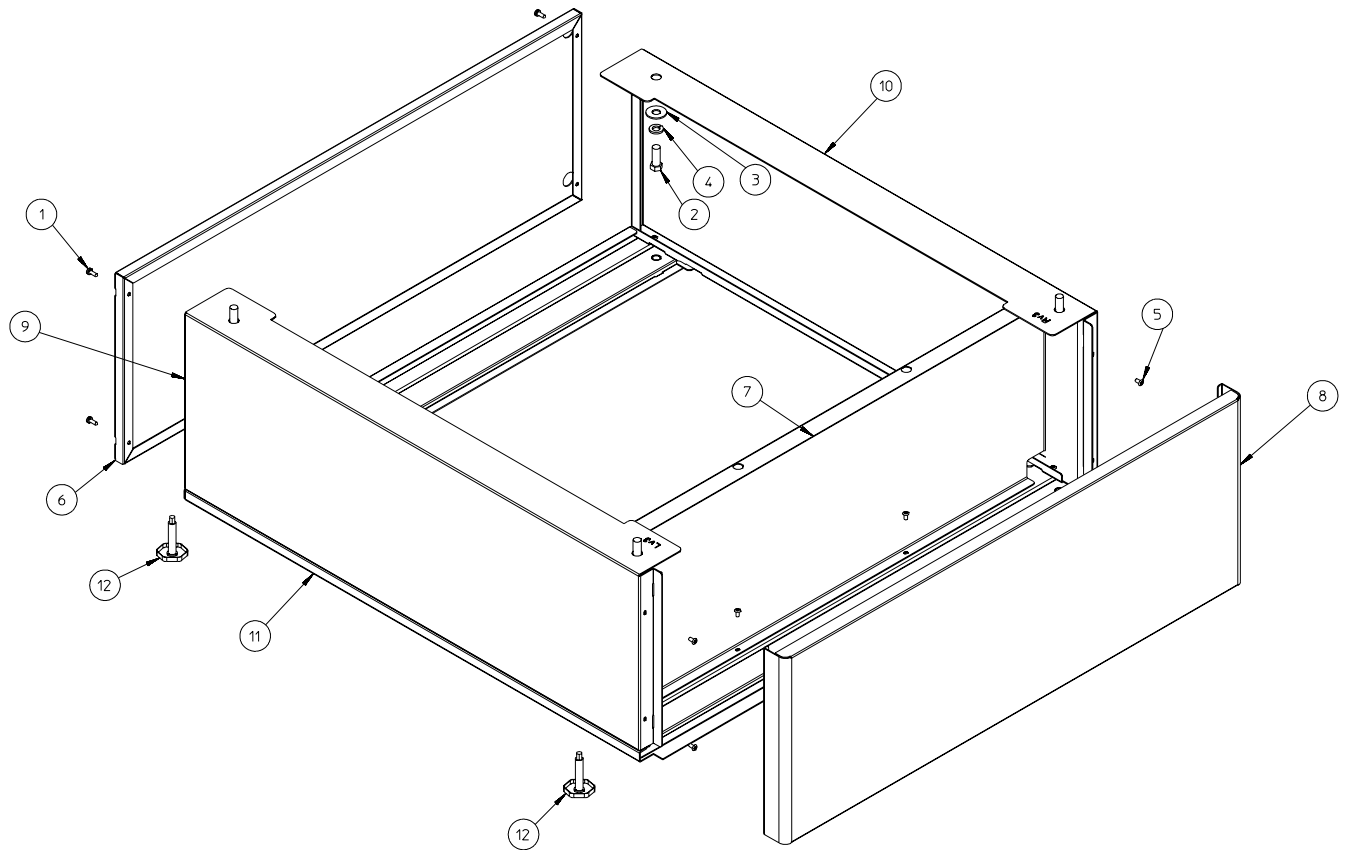
<u>Illus. No.</u>	<u>Part No.</u>	<u>Qty.</u>	<u>Description</u>
1	143581	1	S.A.F.E. 3 GPM 3/8" N.P.T. Spray Nozzle
2	143303	1	3/8" N.P.T. Brass Lock Nut
3	136987	1	Water Jet Pressure Switch
4	143183	1	7/16-20 x 3/8" N.P.T. Brass Adaptor
5	318422	1	S.A.F.E. Bracket
6	143251	1	3/8" M.P.T. Brass Plug
7	143220	1	3/8" F.P.T. Brass Tee
8	143155	3	3/8" Street Elbow
9	143025	1	3/4"-11.5 NH x 3/8" N.P.T. Nylon Hose Adaptor (for U.S. and Canada)
	143177	1	3/8" N.P.T. x 3/4" B.S.P.T. Adaptor (for Euro countries)
10	143241	2	3/8" x Close Brass Nipple
11	319231	1	S.A.F.E. Valve Bracket
12	150331	4	#8-18 x 1/2" Pan Head TORX® Screw
13	154338	2	M4 x 6mm Phillips Head Slotted Machine Screw
14	143182	1	3/4" GHT x 1/8" x 3/8" N.P.T. Brass Tee
15	165120	1	S.A.F.E. Water Inlet Valve 24VDC

Wheel Assembly Parts Diagram / List



<u>Illus. No.</u>	<u>Part No.</u>	<u>Qty.</u>	<u>Description</u>
1	150510	3	1/4-20 x 3/4" Hex Head Machine Bolt
2	153007	3	1/4" Lock Washer
3	154264	1	M10 x 25mm Shoulder Screw
4	153002	1	5/6" Lock Washer
5	154013	1	M8 Hex Nut
6	154284	1	Tumbler Wheel Spacer
7	185233	1	Rear Right Roller Wheel Bracket
	185234	1	Rear Left Roller Wheel Bracket ... Not Illustrated
	185235	1	Front Right Roller Wheel Bracket ... Not Illustrated
	185236	1	Front Left Roller Wheel Bracket ... Not Illustrated
8	153564	3	1/4-20 Clinch Nut
9	153018	3	1/4" Flat Washer
10	180050	1	Wheel

Pedestal Assembly Parts Diagram / List



MAN7474

<u>Illus. No.</u>	<u>Part No.</u>	<u>Qty.</u>	<u>Description</u>
—	851414*	—	11" Stackable Pedestal Assembly

Bottom pedestal shown. Duplicate parts for top assembly.

<u>Illus. No.</u>	<u>Part No.</u>	<u>Qty.</u>	<u>Description</u>
1	150331	4	#8-18 x 1/2" Pan Head TORX® Screw
2	150617	4	3/8-16 x 1" Hex Head Machine Bolt
3	153004	4	3/8" x 1" O.D. Flat Washer
4	153005	4	3/8" Split Lock Washer
5	154200	10	5/32" Pop Rivet
6	319594*	1	11" Pedestal Back
7	319595*	1	Pedestal Inner Support
8	319593*	1	11" Pedestal Front
9	319591*	1	11" Pedestal Left Side
10	310592*	1	11" Pedestal Right Side
11	851413*	1	Pedestal Base
12	103500	4	Leveling Leg (Lower Pedestal Only)

* Specify color when ordering.

