



SL3131
Parts Manual
Phase 8

American Dryer Corporation
88 Currant Road
Fall River, MA 02720-4781
Telephone: (508) 678-9000 / Fax: (508) 678-9447
E-mail: techsupport@amdry.com

www.amdry.com

Retain This Manual In A Safe Place For Future Reference

This product embodies advanced concepts in engineering, design, and safety. If this product is properly maintained, it will provide many years of safe, efficient, and trouble free operation.

ONLY properly licensed technicians should service this equipment.

OBSERVE ALL SAFETY PRECAUTIONS displayed on the equipment or specified in the installation manual included with the dryer.

The following "FOR YOUR SAFETY" caution must be posted near the dryer in a prominent location.

FOR YOUR SAFETY

Do not store or use gasoline or other flammable vapors and liquids in the vicinity of this or any other appliance.

POUR VOTRE SÉCURITÉ

Ne pas entreposer ni utiliser d'essence ni d'autres vapeurs ou liquides inflammables à proximité de cet appareil ou de tout autre appareil.

We have tried to make this manual as complete as possible and hope you will find it useful. The manufacturer reserves the right to make changes from time to time, without notice or obligation, in prices, specifications, colors, and material, and to change or discontinue models.

Important

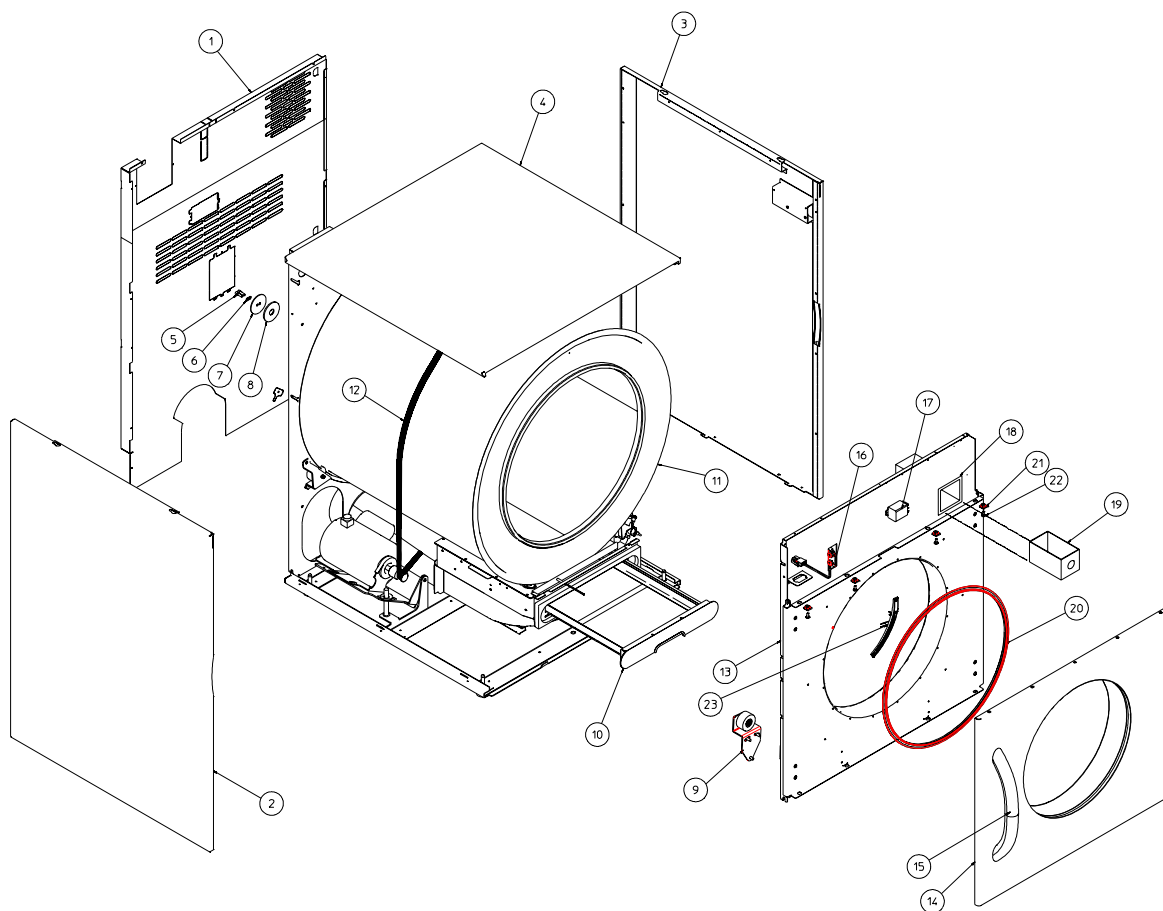
For your convenience, log the following information:

DATE OF PURCHASE _____ MODEL NO. **SL3131**

RESELLER'S NAME _____

Serial Number(s) _____

Parts Diagram

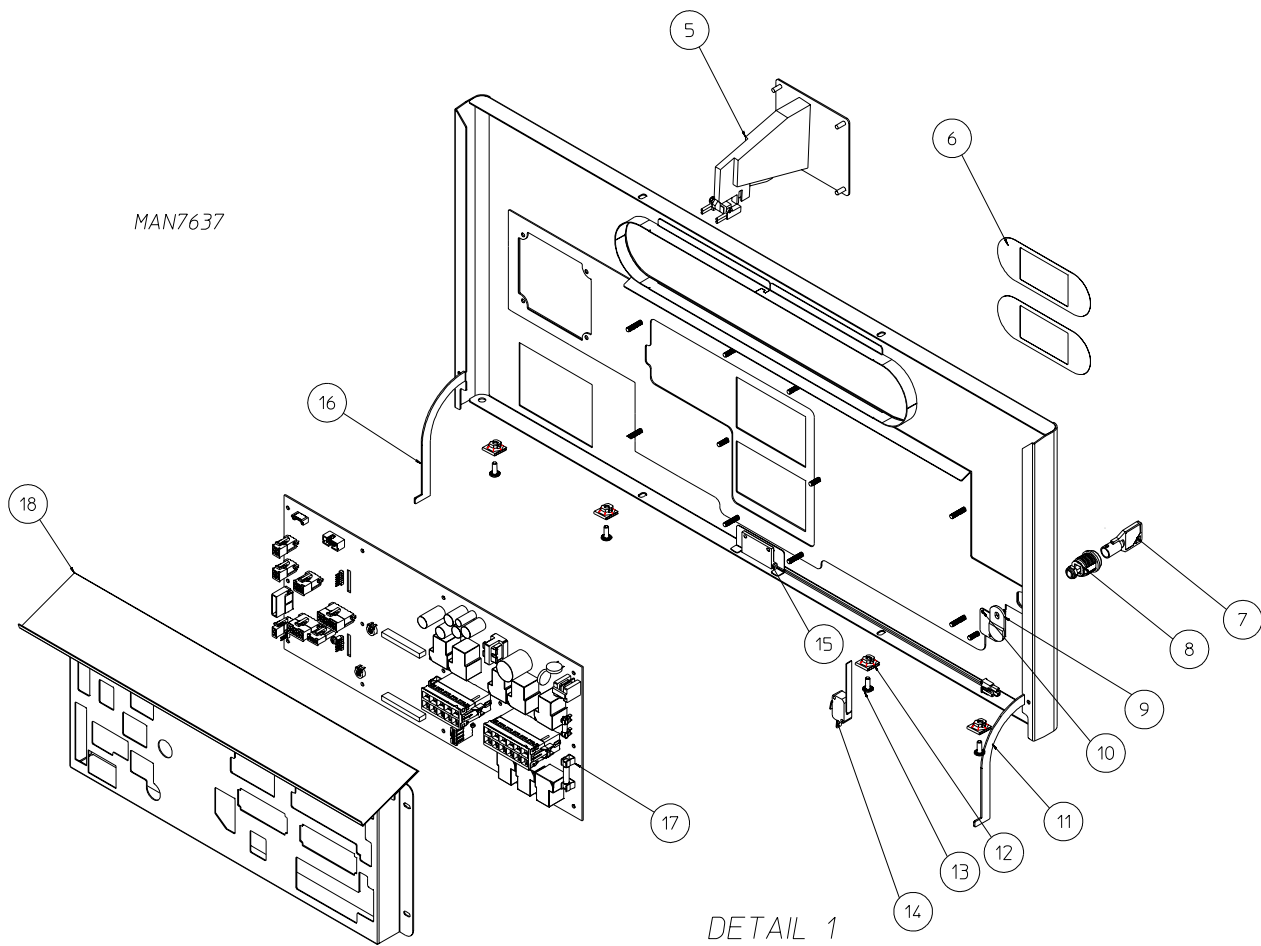
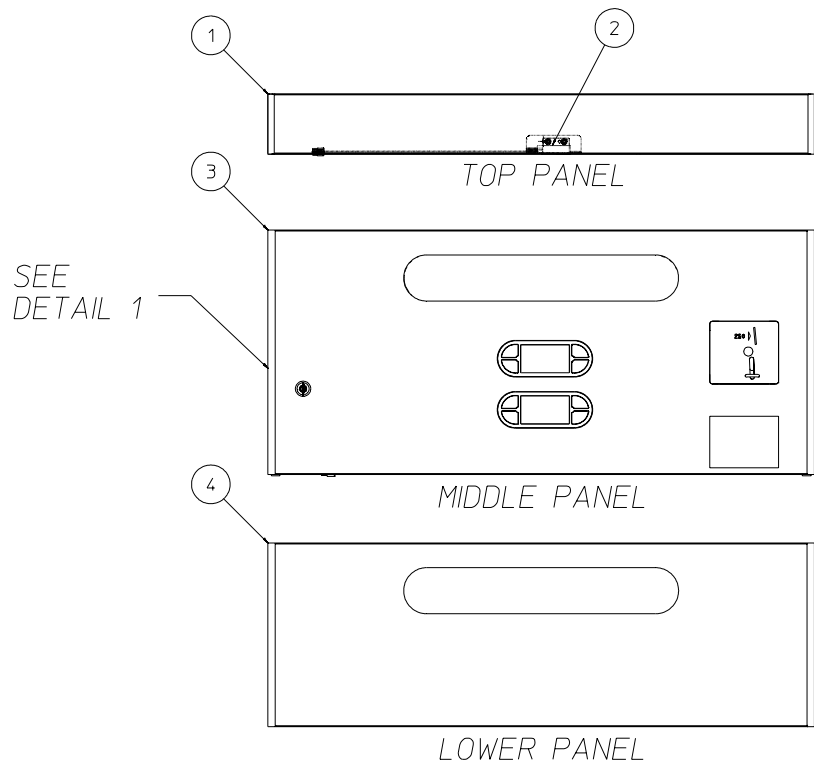


MAN7638

<u>Illus. No.</u>	<u>Part No.</u>	<u>Qty.</u>	<u>Description</u>
1	319427	1	Upper Back Guard (Gas and Electric) (for models mfd. as of December 7, 2005)
	319426	1	Lower Back Guard (Gas and Electric) (for models mfd. as of December 7, 2005)
	318926	1	Back Guard Assembly (Gas and Electric) (for models mfd. prior to December 7, 2005)
	319435	1	Upper Back Guard (Steam) (for models mfd. as of December 7, 2005)
	319542	1	Upper Back Guard (Steam) (for models mfd. prior to December 7, 2005)
	319436	1	Back Guard Lower (Steam) (for models mfd. as of December 7, 2005)
	319543	1	Back Guard Lower (Steam) (for models mfd. prior to December 7, 2005)
	319437	1	Back Guard Right (Steam) (for models mfd. as of December 7, 2005)
	319544	1	Back Guard Right (Steam) (for models mfd. prior to December 7, 2005)
	819449	1	Exhaust Transition Piece for Formed Blower Housing (Gas and Electric)
	319438	1	Exhaust Transition Piece for Made In House Blower Housing (Gas and Steam) (for models mfd. as of December 7, 2005)
	318927	1	Exhaust Transition Piece for Made In House Blower Housing (Gas and Electric) (for models mfd. prior to December 7, 2005)
	819159	1	Exhaust Transition Piece for Formed Blower Housing (Steam)
	319545	1	Exhaust Transition Piece for Made In House Blower Housing (Steam)

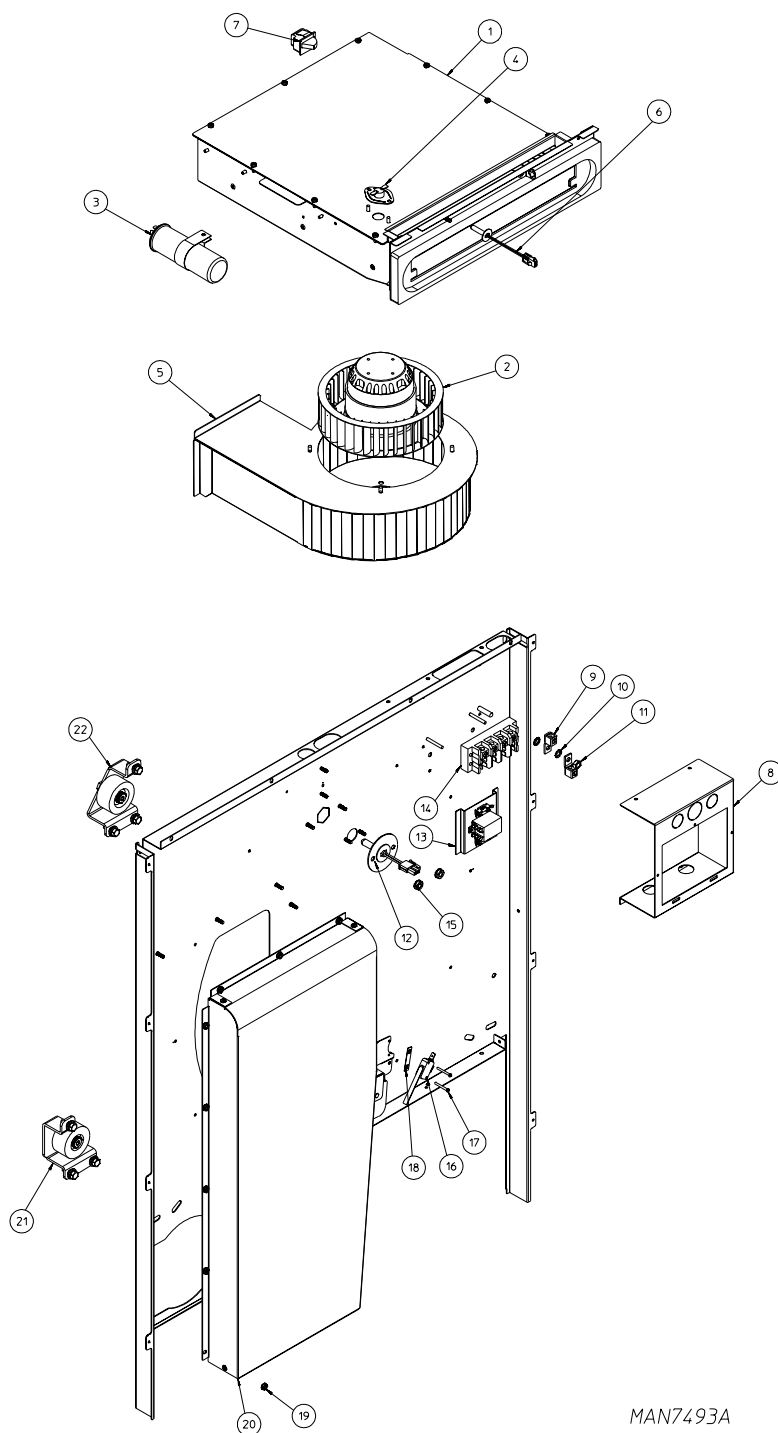
<u>Illus. No.</u>	<u>Part No.</u>	<u>Qty.</u>	<u>Description</u>
2	819619	1	Left Side Panel Assembly (for models mfd. as of December 7, 2005)
	818679	1	Left Side Panel Assembly (for models mfd. prior to December 7, 2005)
3	819621	1	Right Side Panel Assembly (for models mfd. as of December 7, 2005)
	818678	1	Right Side Panel Assembly (for models mfd. prior to December 7, 2005)
4	818690	1	Outer Top Panel Assembly
5	150445	2	1/4-20 x 3/4" Bolt
6	153072	2	Spring Washer
7	318891	1	Backup Washer
8	153048	2	Friction Pad (Gas and Electric)
	102373	2	Friction Pad (Steam)
9	818183	1	Front Right Wheel Assembly (refer to parts breakdown on page 12)
	818184	1	Front Left Wheel Assembly (refer to parts breakdown on page 12)
10	819288	1	Lint Screen Assembly (Painted)
	819315	1	Lint Screen Assembly (Stainless Steel)
11	818815	1	Tumbler Assembly (Galvanized)
	819398	1	Tumbler Assembly (Stainless Steel)
12	102407	1	Belt
13	819132	1	Front Panel Assembly (Coin)
	819359	1	Front Panel Assembly (Non-Coin [OPL])
	102004	2	Magnet
	102005	2	Magnet Blank
	152224	4	Magnet Screw
	400563	1	Magnet Removal Bit
14	819301	1	Door Assembly Right Hinge (White)
	819388	1	Door Assembly Right Hinge (Stainless Steel)
	819700	1	Door Assembly Left Hinge (White)
	819387	1	Door Assembly Left Hinge (Stainless Steel)
	103067	2	Door Hinge
15	819838	1	Handle (White)
	887175	1	Handle (Stainless Steel)
16	819194	1	Rotation Sensor Assembly
17	131819	1	120V Reversing Relay
	131818	1	240V Reversing Relay
18	819227	1	Coin Vault
19	125916	1	Coin Box
20	102396	2	Door Gasket
21	154061	4	U-Nut Retainer
22	183129	4	T-20 Machine Screw
23	819357	2	Moisture Sensor Assembly

Parts Diagram



<u>Illus. No.</u>	<u>Part No.</u>	<u>Qty.</u>	<u>Description</u>
1	887254	1	Top Trim Panel Assembly (White)
	819191	1	Top Trim Panel Assembly (Stainless Steel)
2	819196	1	Door Switch Assembly
3	819503	1	Phase 8 Control Door
	819504	1	Phase 8 Control Door Assembly (25¢ Coin) (includes illus. nos. 3 and 5 through 18)
	819625	1	Phase 8 Control Door Assembly (Programmable – Euro) (includes illus. nos. 3 and 5 through 18)
	819608	1	Phase 8 Control Door Assembly (Non-Coin [OPL]) (includes illus. nos. 3, 6, 11 through 13, and 15 through 18)
4	185097	1	Toe Panel (White)
	185048	1	Toe Panel (Stainless Steel)
5	818213	1	Coin Acceptor Assembly (25¢ Coin)
	819807	1	Optic Switch Assembly
	819264	1	Coin Acceptor (Programmable – Euro)
6	112587	2	Keypad (Coin)
	112586	2	Keypad (Non-Coin [OPL])
7	160140	1	Key
8	160071	1	Lock (for models mfd. as of February 28, 2007)
	160038	1	Lock (for models mfd. prior to February 28, 2007)
	160066	1	1-1/8" Long Cam (for models mfd. prior to February 28, 2007)
9	154004	1	Twin Speed Nut (for models mfd. prior to February 28, 2007)
10	154004	1	Twin Speed Nut (for models mfd. prior to February 28, 2007)
11	318929	1	Control Panel Left Hinge
12	154061	8	U-Nut Retainer
13	183129	8	T-20 Truss Head Machine Screw
14	122200	1	Program Switch (for models mfd. prior to February 28, 2007)
	819196	1	Door Switch Assembly
15	819196	1	Door Switch Assembly
16	318930	1	Control Panel Right Hinge
17	887102	1	Phase 8 Computer
	887103	1	Phase 8 Computer with "S.A.F.E." System Option
	136116	1	3-amp "Glass" Fuse
	136054	2	15-amp "Ceramic" Fuse
18	319009	1	Phase 8 Control Cover

Parts Diagram

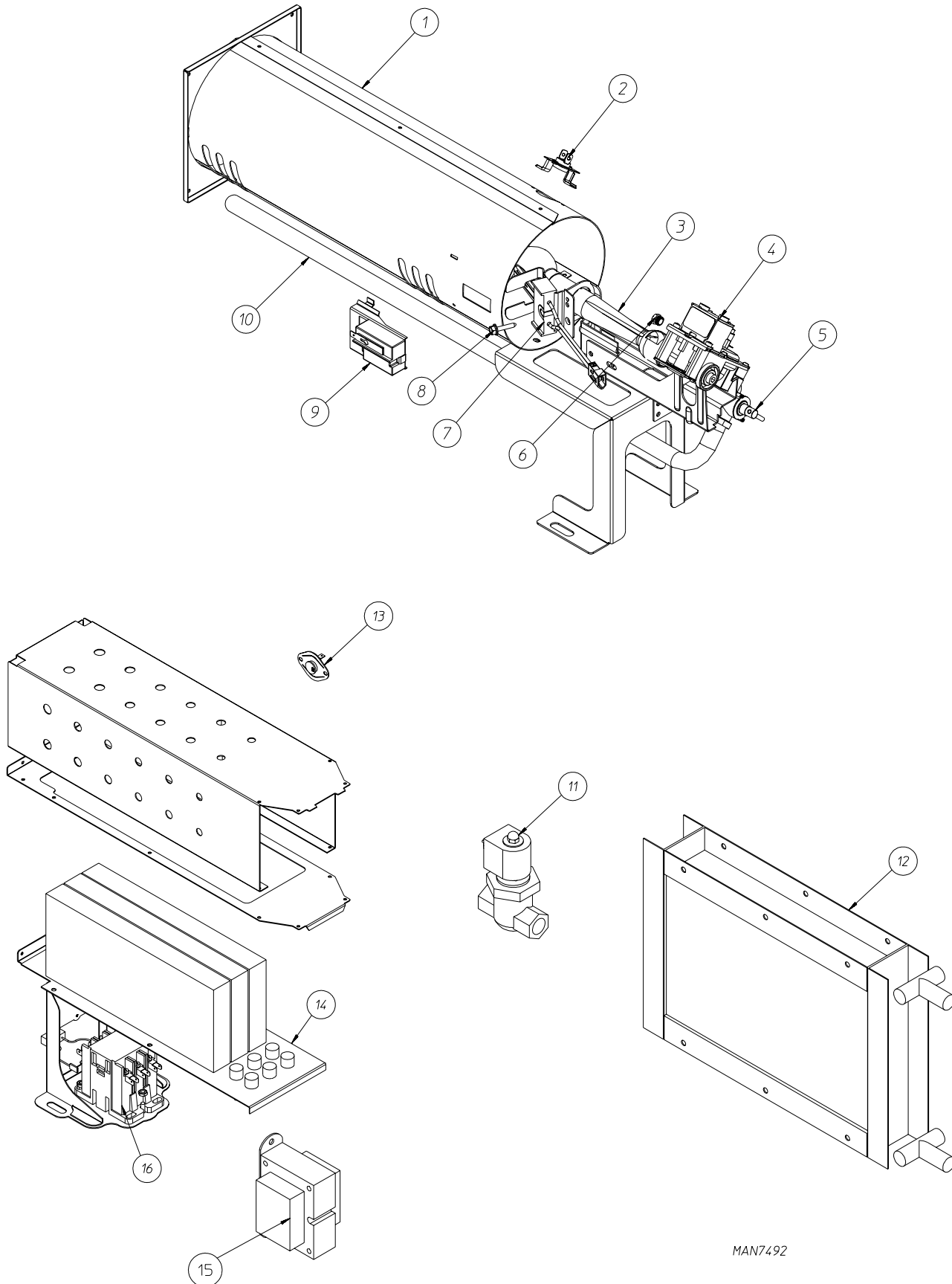


MAN7493A

<u>Illus. No.</u>	<u>Part No.</u>	<u>Qty.</u>	<u>Description</u>
1	819450	1	Lint Box / Blower Assembly Complete 120V (for models mfd. as of September 1, 2006)
	819193	1	Lint Box / Blower Assembly Complete 120V (for models mfd. prior to September 1, 2006)
	819233	1	Lint Box / Blower Assembly Complete 200-240V (for models mfd. prior to June 14, 2006 and as of December 20, 2006)
	819455	1	Lint Box / Blower Assembly Complete 200-240V (for models mfd. between June 14, 2006 and October 24, 2006)
	819193	1	Lint Box / Blower Assembly Complete 208-240V with Transformer (for models mfd. between October 25, 2006 and December 20, 2006)

<u>Illus. No.</u>	<u>Part No.</u>	<u>Qty.</u>	<u>Description</u>
2	851242	1	Blower Motor Assembly 120V (for models mfd. as of September 1, 2006)
	819185	1	Blower Motor Assembly 120V (for models mfd. prior to September 1, 2006)
	819232	1	Blower Motor Assembly 200-240V (for models mfd. prior to June 14, 2006 and as of December 21, 2006)
	851243	1	Blower Motor Assembly 200-240V (for models mfd. between June 14, 2006 and October 24, 2006)
	819185	1	Blower Motor Assembly 200-240V with Transformer (for models mfd. between October 25, 2006 and December 20, 2006)
	3	100618	1
100639		1	32 MFD Capacitor 120V (for models mfd. prior to September 1, 2006)
100638		1	8 MFD Capacitor 200-240V (for models mfd. prior to June 14, 2006 and as of December 21, 2006)
100670		1	5 MFD Capacitor 200-240V (for models mfd. between June 14, 2006 and October 24, 2006)
100639		1	32 MFD Capacitor 200-240V with Transformer (for models mfd. between October 25, 2006 and December 20, 2006)
4		130119	1
5	185084	1	Blower Housing Formed with Back Draft Damper
	818545	1	Blower Housing Made In-House
6	830333	1	Exhaust Temperature Sensor Assembly (for models mfd. as of February 19, 2008)
	818986	1	Exhaust Temperature Sensor Assembly (for models mfd. prior to February 19, 2008)
7	122003	1	Lint Door Switch
8	318993	1	Rear Electrical Box (Gas and Steam)
	319327	1	Rear Electrical Box (Electric)
	318727	1	Rear Electrical Box Cover
9	153021	1	1/4" Shakeproof Washer
10	121010	1	Terminal Lug
11	152002	1	1/4-20 Hex Nut
12	819188	1	Axial Temperature Sensor Assembly
13	819642	1	Split Phase Assembly
14	120728	1	Quick-Connect Terminal Block
15	153073	2	#8-32 KEPS Nut
16	122200	2	Sail Switch
17	150025	2	#4-40 x 1" Phillips Screw
18	154004	1	Twin Speed Nut
19	153073	14	#8-32 KEPS Nut
20	819113	1	Heat Duct with Sail Switch Assembly
21	818109	1	Front Left / Rear Right Wheel (refer to Parts Breakdown on page 12)
22	818110	1	Front Right / Rear Left Wheel (refer to Parts Breakdown on page 12)

Parts Diagram

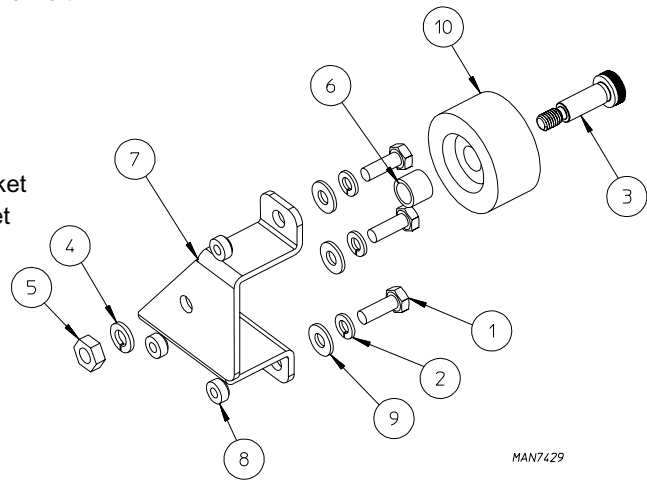


MAN7492

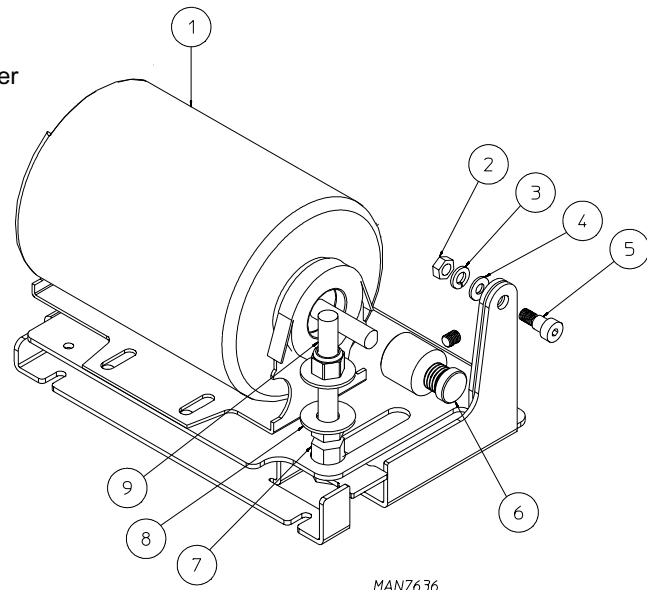
<u>Illus. No.</u>	<u>Part No.</u>	<u>Qty.</u>	<u>Description</u>
1	819314	1	Burner Assembly
	819313	1	Burner Chamber
2	183112	1	Thermostat, Gas High-Limit
3	183144	1	Inshot Burner Tube, Hot Surface Ignition
4	128944	1	Gas Valve 120 VAC 60 Hz
	128907	1	Gas Valve 120 VAC 50 Hz
	884254	1	Liquid Propane Conversion Kit
5	141318	1	3/8" 90° Union Shutoff
6	140880	1	Natural Gas #22 Burner Orifice
	140905	1	Liquid Propane Gas #44 Burner Orifice
7	128910	1	Globar®
8	183145	1	#8-32 x 7/8" Hex Screw with Washer
9	130500	1	Radiant Control
10	185096	1	3/8" N.P.T. Male 90° Gas Pipe
	142953	1	1/2" x 3/8" Reducer
11	819579	1	Steam Valve Assembly 120V
12	165066	1	Copper Steam Coil
13	183112	1	High-Limit Thermostat
14	119995	1	Electric Element
15	819712	1	120V to 24V Transformer
	819251	1	208V to 24V Transformer
	819267	1	240V to 24V Transformer
	132029	1	208-240V to 120V Transformer
16	131352	1	40-amp 24V Contactor
	131357	1	50-amp 24V Contactor
	131321	1	30-amp 120V Contactor
	131325	1	50-amp 120V Contactor
	131322	1	30-amp 208-240V Contactor
	131324	1	40-amp 208-240V Contactor

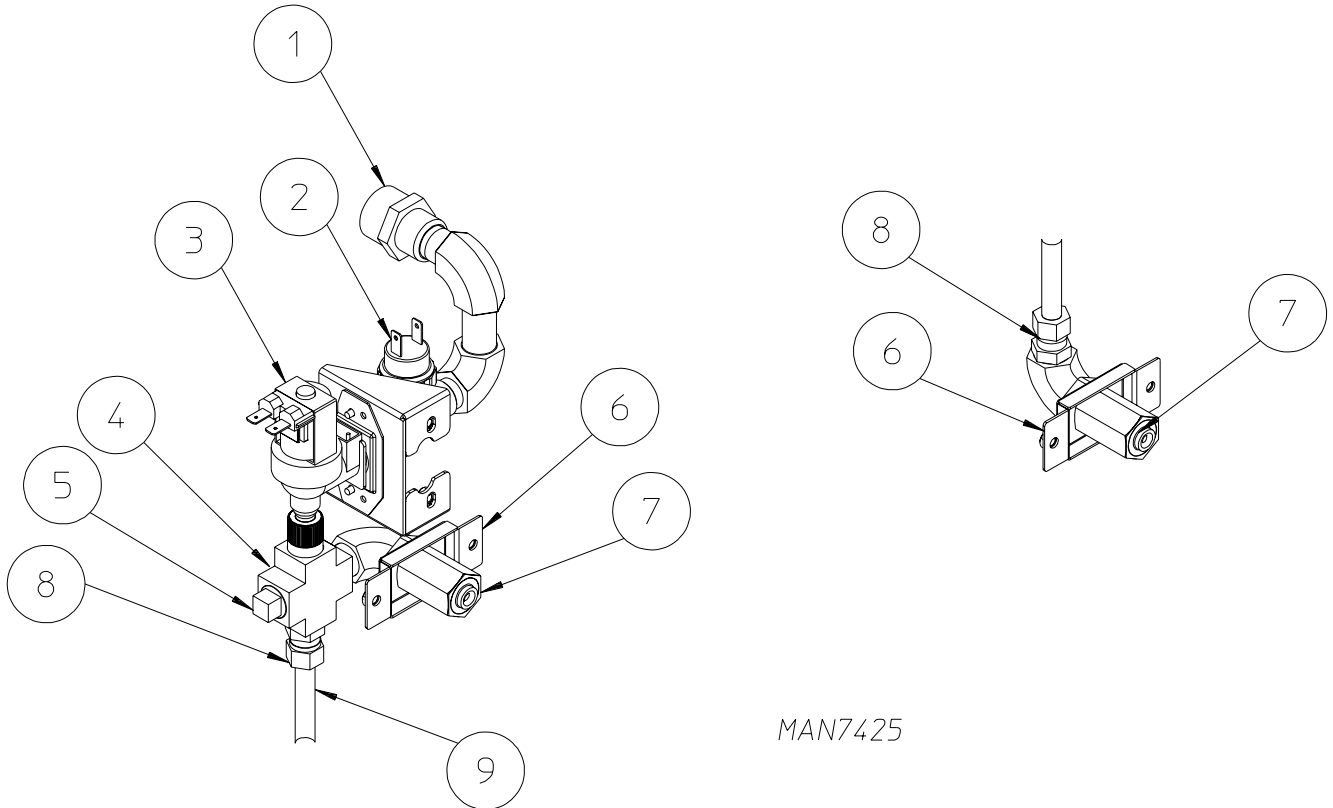
Parts Diagrams / Lists

<u>Illus. No.</u>	<u>Part No.</u>	<u>Qty.</u>	<u>Description</u>
1	150510	3	1/4-20 x 3/4" Hex Head Machine Bolt
2	153007	3	1/4" Lock Washer
3	154267	1	M10 x 25mm Shoulder Screw
4	153002	1	5/16" Lock Washer
5	154013	1	M8 Hex Nut
6	154284	1	Tumbler Wheel Spacer
7	318233	1	Rear Right Roller Wheel Bracket
	318232	1	Rear Left Roller Wheel Bracket
			... Not Illustrated
	318532	1	Front Right Wheel Bracket
			... Not Illustrated
	318531	1	Front Left Wheel Bracket
			... Not Illustrated
8	153564	3	1/4-20" Clinch Nut
9	153018	3	1/4" Flat Washer
10	180050	1	Wheel



<u>Illus. No.</u>	<u>Part No.</u>	<u>Qty.</u>	<u>Description</u>
1	884288	1	1/4 hp Motor with Sheave – 60 Hz (for models mfd. as of September 1, 2005)
	887030	1	1/4 hp Motor with Sheave – 50 Hz (for models mfd. as of September 1, 2005)
	818485	1	Motor Assembly (for models mfd. prior to September 1, 2005)
2	152004	2	5/16-18 Hex Nut
3	153002	2	5/16" Split Lock Washer
4	153018	2	1/4" Flat Washer
5	154266	2	3/8" x 3/8" (5/16-18) Screw
6	318909	1	Motor Sheave – 60 Hz
	185067	1	Motor Sheave – 50 Hz
7	152011	1	1/2-13 Hex Nut
	152028	1	1/2-13 Nylon Insert Locknut
8	153011	1	9/16" ID, 1-3/8" OD Flat Washer
9	150609	1	1/2-13 x 4-1/2" Tap Bolt





MAN7425

<u>Illus. No.</u>	<u>Part No.</u>	<u>Qty.</u>	<u>Description</u>
1	143025	1	Nylon Hose Adaptor
2	136987	1	Pressure Switch
3	165120	1	Water Valve
4	143236	1	3/8" Brass Cross
5	143251	1	3/8" Plug
6	318422	1	Sensor Activated Fire Extinguishing System Bracket
7	143581	1	Spray Nozzle
8	143208	1	3/8" Brass Connector
9	143099	1	3/8" OD Copper Tubing

