



# SL2020

## Parts Manual

### Phase 8 / HSI

---

**American Dryer Corporation**  
88 Currant Road  
Fall River, MA 02720-4781  
Telephone: (508) 678-9000 / Fax: (508) 678-9447  
E-mail: [techsupport@amdry.com](mailto:techsupport@amdry.com)

[www.amdry.com](http://www.amdry.com)

# Retain This Manual In A Safe Place For Future Reference

This product embodies advanced concepts in engineering, design, and safety. If this product is properly maintained, it will provide many years of safe, efficient, and trouble free operation.

***ONLY properly licensed technicians should service this equipment.***

**OBSERVE ALL SAFETY PRECAUTIONS** displayed on the equipment or specified in the installation manual included with the dryer.

The following "FOR YOUR SAFETY" caution must be posted near the dryer in a prominent location.

## FOR YOUR SAFETY

Do not store or use gasoline or other flammable vapors and liquids in the vicinity of this or any other appliance.

## POUR VOTRE SÉCURITÉ

Ne pas entreposer ni utiliser d'essence ni d'autres vapeurs ou liquides inflammables à proximité de cet appareil ou de tout autre appareil.

We have tried to make this manual as complete as possible and hope you will find it useful. The manufacturer reserves the right to make changes from time to time, without notice or obligation, in prices, specifications, colors, and material, and to change or discontinue models.

## Important

For your convenience, log the following information:

DATE OF PURCHASE \_\_\_\_\_ MODEL NO. **SL2020**

RESELLER'S NAME \_\_\_\_\_

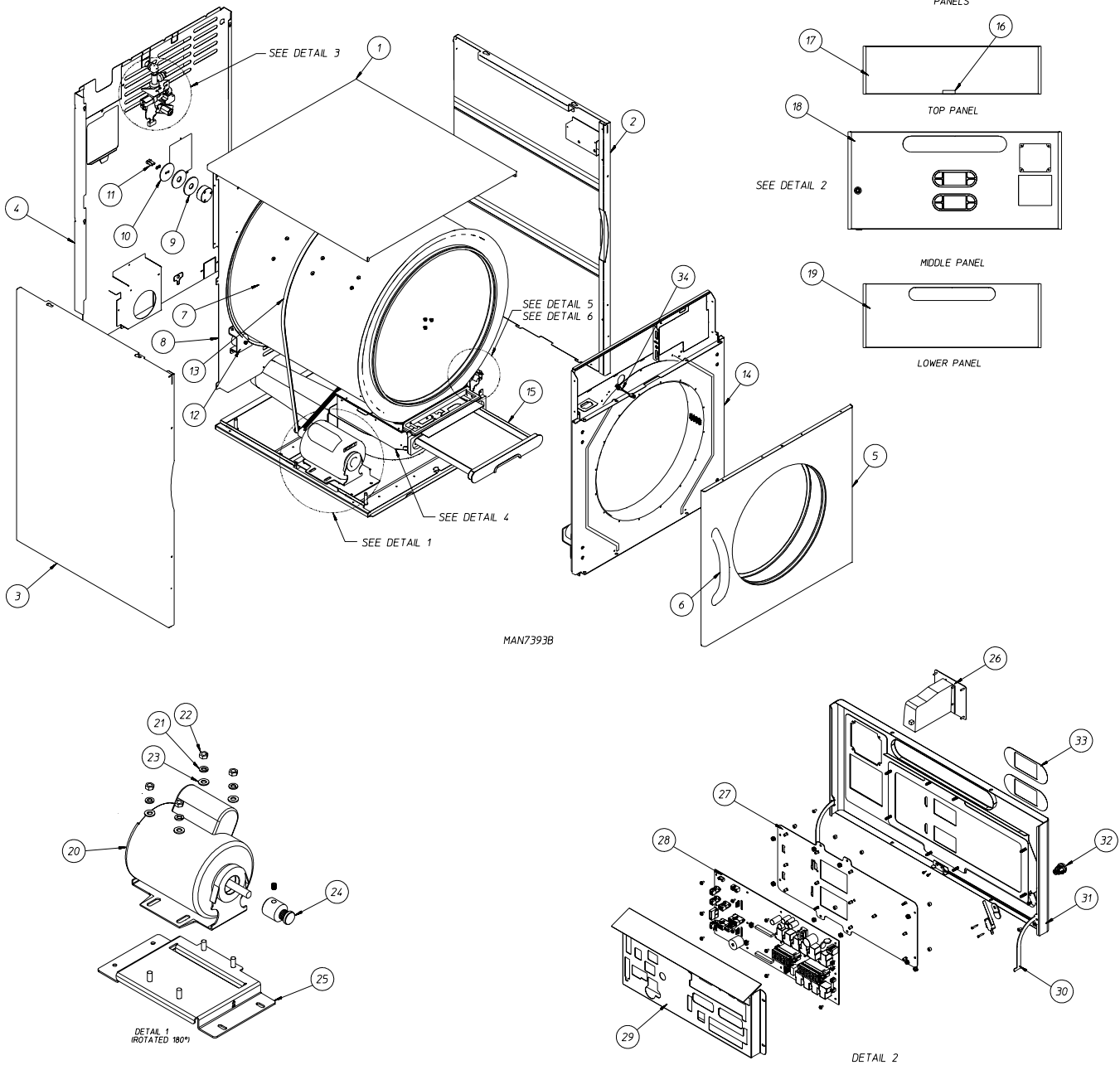
Serial Number(s) \_\_\_\_\_

\_\_\_\_\_

\_\_\_\_\_



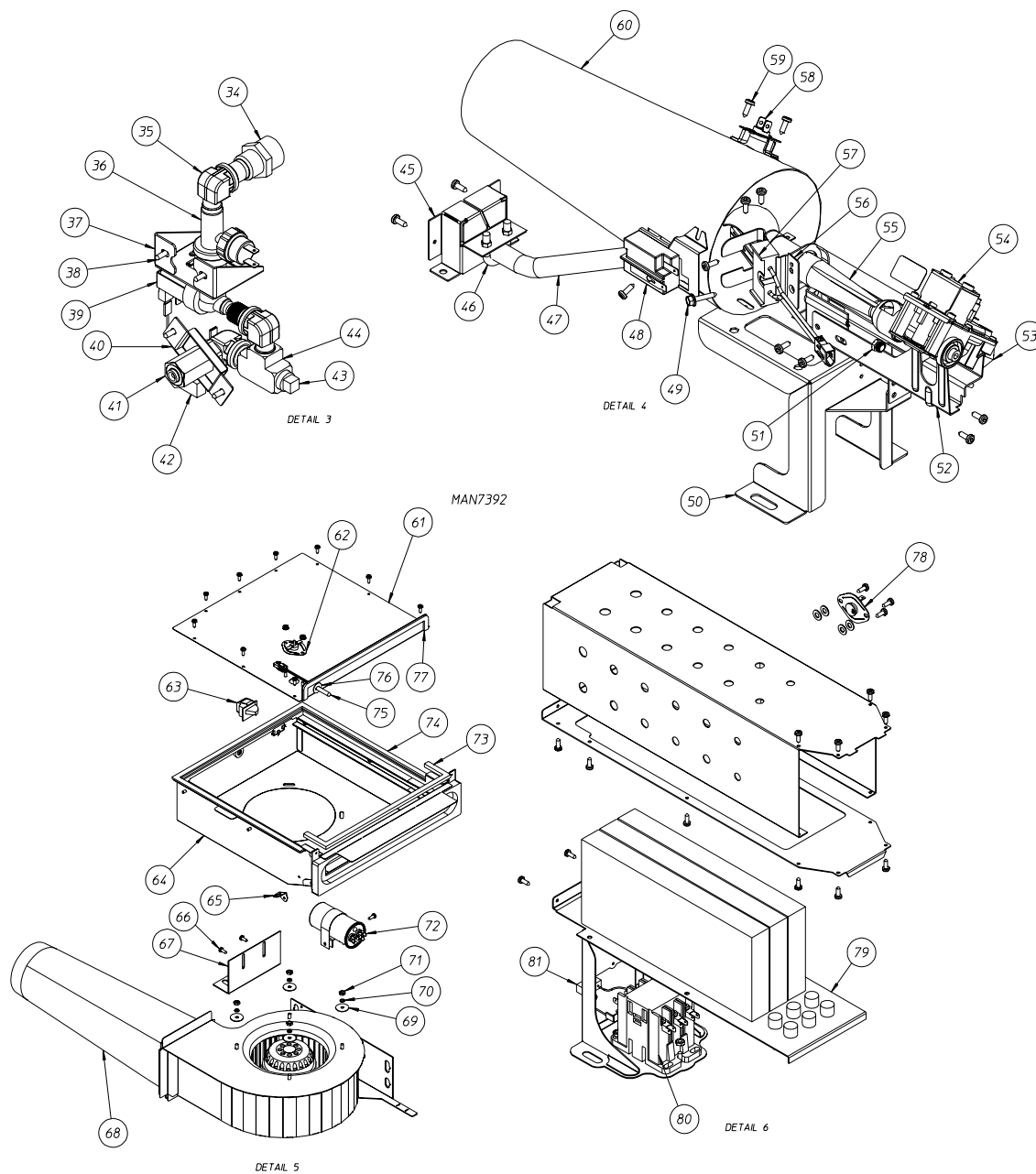
# Parts Diagram



Illus. No.	Part No.	Qty.	Description
1	818659	1	Outer Top Assembly
2	818807	1	Right Side Panel Assembly
3	818808	1	Left Side Panel Assembly
4	818806	1	Back Guard Assembly
	185024	1	Exhaust Bracket
	150331	18	#8-18 x 1/2" T20 TORX
5	819392	1	Door Right Hand
6	170233	1	Door Handle
7	818115	1	Tumbler Assembly
	115906	1	Tumbler Felt
	401010	1	Adhesive (For Felt)

<u>Illus. No.</u>	<u>Part No.</u>	<u>Qty.</u>	<u>Description</u>
8	818805	2	Rear Tumbler Support
	122200	2	Sail Switch
	819188	2	S.A.F.E. Temperature Sensor Harness
	819323	2	Phase 8 Hot Surface Ignition Sail Switch Assembly
9	153048	4	Inner Friction Pad
10	318891	2	Backup Washer 2 Screws
11	150445	4	1/4-20 x 3/4" Bolt, Black
12	818728	2	Left Rear Wheel Assembly
	818729	2	Right Rear Wheel Assembly
	180050	2	Support Wheel
13	100197	1	Belt
14	818655	2	Front Tumbler Support Assembly
	819362	2	Front Tumbler Support Assembly with Auto Cycle
	819357	2	Moisture Sensor Assembly
15	818713	2	Front Right Wheel Assembly
	818714	2	Front Left Wheel Assembly
	180050	2	Support Wheel
16	819196	2	Phase 8 Door Switch Assembly
17	818853	1	Top Trim Panel Assembly
	154061	16	U-Nut Retainer
	183129	16	#10-32 x 1/2" T20 Truss Head
18	112375	1	Solaris Oval Logo
	818899	1	Phase 8.4 Coin Control Panel Assembly
	819326	1	Phase 8.4 Non-Coin Control Panel Assembly
19	185108	1	Toe Panel with Slots
DETAIL 1			
20	884343	2	Motor and Sheave Assembly
21	153002	4	5/16" Split Lock Washer
22	152004	4	5/16-18 Hex Nut
23	153001	4	5/16" Flat Washer
24	185001	2	60 Hz 4-Pole Motor Sheave
	154321	2	Allen Setscrew
25	318548	2	Motor Base
DETAIL 2			
26	818213	1	Phase 8 Coin Acceptor Assembly
	818661	1	Coin Vault Assembly
27	819308	1	Phase 8 Display Mount Stud Assembly
28	137280	1	Computer Board
	136116	1	3-Amp Fast-Acting Fuse
	136054	2	15-Amp / 250V / 3ab Slo-Blo Fuse
29	319187	1	Cover
30	318929	1	Control Panel Hinge (Left)
	318930	1	Control Panel Hinge (Right)
	154200	4	5/32" Rivet for 1/8-5/16"
31	818899	1	Coin Control Panel Assembly
32	160071	-	Keylock Switch
			(for models mfd. as of November 5, 2010)
	160039	-	XX4451 Lock Assembly
			(for models mfd. prior to November 5, 2010)
	160066	-	Long Cam
			(for models mfd. prior to November 5, 2010)
	122200	-	Sail Switch
			(for models mfd. prior to November 5, 2010)
	160140	1	X4451 Key
33	112586	2	Non-Coin Membrane Keypad
	112587	2	Coin Membrane Keypad
34	818370	1	Rotation Sensor Switch Assembly

# Parts Diagram



<u>Illus. No.</u>	<u>Part No.</u>	<u>Qty.</u>	<u>Description</u>
<b>DETAIL 3</b>			
34	143025	1	3/8" x 3/4" N.P.T. Nylon Hose Adaptor
35	143155	2	3/8" Brass Street Elbow
36	143152	2	1/4" Comp x 1/8" M.P.T. Straight Connection
37	319231	2	S.A.F.E. Valve Bracket
38	150331	2	#8-18 x 1/2" T20 TORX
39	165120	2	S.A.F.E. Valve 24V DC
40	319231	2	S.A.F.E. Valve Bracket
41	143581	2	S.A.F.E. 3/8" N.P.T. Spray Nozzle
42	143155	1	3/8" Brass Street Elbow
43	143183	1	7/16-20 x 3/8" N.P.T. Adaptor Brass
44	143236	1	3/8" Brass Pipe Cross
	143099	1	3/8" Copper Tubing
	143303	1	3/8" N.P.T. Brass Locknut
	136987	1	Water Pressure Switch
	819337	1	Phase 8 Deltrol S.A.F.E. Assembly

<u>Illus. No.</u>	<u>Part No.</u>	<u>Qty.</u>	<u>Description</u>
DETAIL 4			
45	185023	2	Gas Pipe Bracket
46	154356	2	U-Bolt with Nuts
47	185179	2	Hot Surface Ignition Gas Pipe
48	130500	2	Radiant Control Sensor
49	183145	2	#8-32 x 7/8" Hex Conical
50	318979	2	Gas Train Support Bracket
51*	140873	2	#30 Burner Orifice (Natural Gas)
	140874	2	#49 Burner Orifice (Liquid Propane Gas)
52	185061	2	Hot Surface Ignition Burner Base
53	143318	2	Brass Adaptor
54	128944	2	25m Gas Valve 120 VAC 60 Hz
*	884253	2	'M' Valve 80k Btu Liquid Propane Kit
55	183144	2	Inshot Burner Tube Hot Surface Ignition
56	185063	2	Hot Surface Ignition Ignitor Bracket
57	128910	2	Hot Surface Ignitor 80V
58	183112	2	Thermostat
59	150331	16	#8-18 x 1/2" T20 TORX
60	185066	2	Burner Cone
	818891	2	120V 60 Hz Gas Train Assembly
	132029	2	350VA Autotransformer (208-240)
DETAIL 5			
61	819347	2	Lint Box Top Stud Assembly
62	130112	2	Thermostat 225° Automatic
63	122002	2	Door Switch
64	818804	2	Lint Coop Blower Assembly
65	318866	2	4 Circuit Connection Plate
66	150331	2	#8-18 x 1/2" T20 TORX
67	318224	2	Blower Housing Rear Support Bracket
68	818725	2	Blower Housing
	181139		Blower Housing
			(for models mfd. as of April 2006)
	319904		Blower Housing Mount
			(for models mfd. as of April 2006)
	818975		120V Blower Motor Assembly
	819277	2	230V Blower Motor Assembly (Phase 8)
69	153049	4	Washer
70	153024	4	#10 Split Lock Washer
71	152008	8	#10-32 Hex Nut
72	100623	2	25MFD Capacitor 440 VAC 50-60 Hz
73	117604	20	1/8" Thick x 3/8" Wide Neoprene Sponge Tape
74	818803	2	Lint Box Assembly
75	818986	2	Phase 8 Exhaust Temperature Sensor Assembly
76	154007	4	1/4" Push-On Fastener
77	117604	2	1/8" Thick x 3/8" Wide Neoprene Sponge Tape
DETAIL 6			
78	130123	2	300° F Temperature Sensor
79	120089	2	5.4 kW / 240V 8.1 kW / 416V Element
80	—	—	Oven Contactor
81	318361	2	Electric Oven Bracket
82	819345	4	Cold Rolled Steel Lint Drawer Assembly
	819287	4	Lint Drawer Handle Plate Assembly

\* Contact factory for elevations above 2,000 feet.

