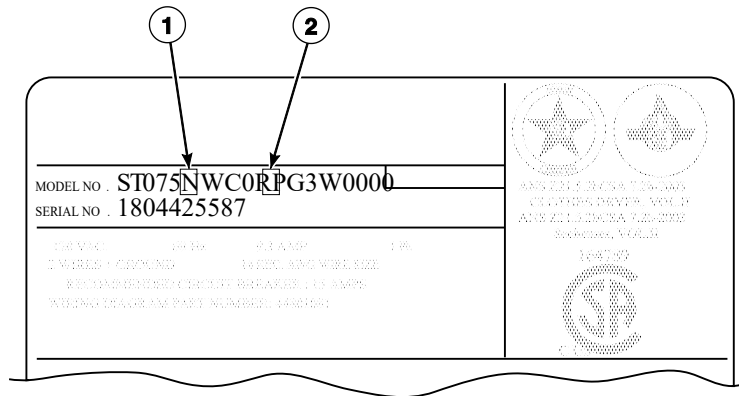




Registered Trademark of Alliance Laundry Systems, LLC
© 2022 All Rights Reserved

Manual: **70591901** Product: **Tumbler** Model: **ST075N** Date: **12/27/2022 12:02 PM**
18 Digit Model Numbers with 3 and 5 in 13th Position; B, D, F, N or W in 7th Position

Product Overview - Heat Source and Voltage



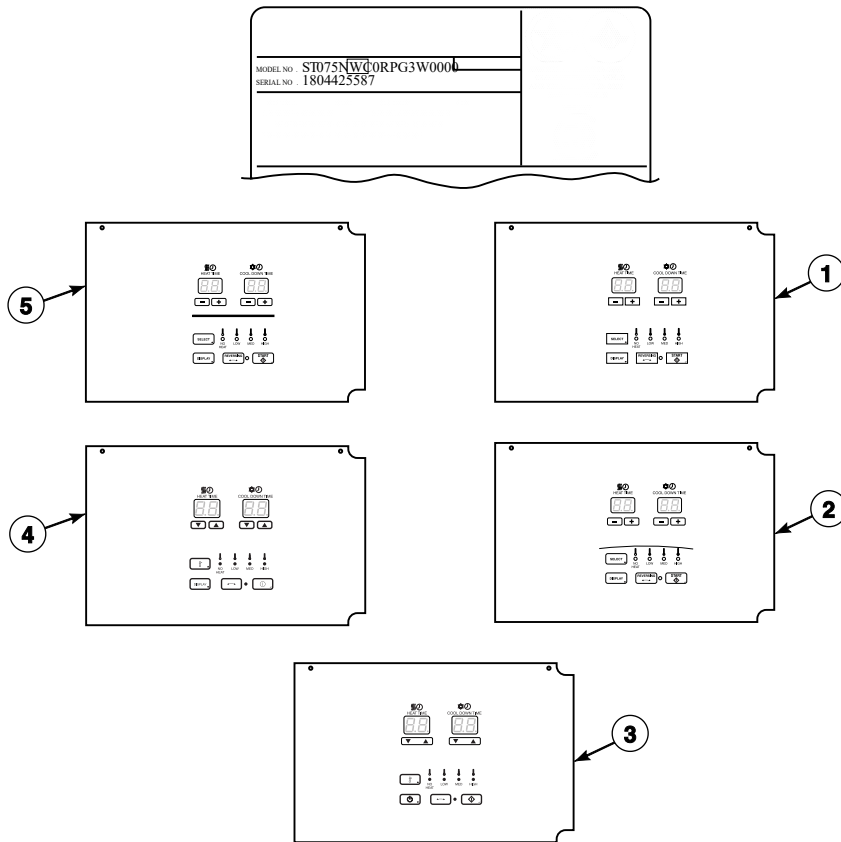
TMB3595P_70591901

Ref	Part	Description	Comments
1	-	Heat Source	C: Steam (CRN) D: Liquid Petroleum Gas (L.P.) E: Electric F: Reduced Electric (Eco Line) L: Liquid Petroleum Gas (L.P.) M: Medium Electric N: Natural Gas (N.G.) R: Reduced Gas, Natural Gas (Eco Line) S: Steam

Ref	Part	Description	Comments
2	-	Voltage	B: 100-120 Volt/50-60 Hertz/1 Phase; Gas and steam models F: 200-208 Volt/50-60 Hertz/3 Phase; Electric models G: 230-240 Volt/50-60 Hertz/3 Phase; Electric models H: 380 Volt/50-60 Hertz/3 Phase; Electric models J: 400-415 Volt/50-60 Hertz/3 Phase; Electric models K: 440 Volt/50-60 Hertz/3 Phase; Electric models L: 460-480 Volt/50-60 Hertz/3 Phase; Electric models N: 440-480 Volt/50-60 Hertz/3 Phase; Gas and steam models P: 380-415 Volt/50-60 Hertz/3 Phase; Gas and steam models Q: 200-240 Volt/50-60 Hertz/3Phase; Gas and steam models X: 200-240 Volt/50-60 Hertz/1-3 Phase; Gas and steam models

Product Overview - FN Control Suffix

OPL

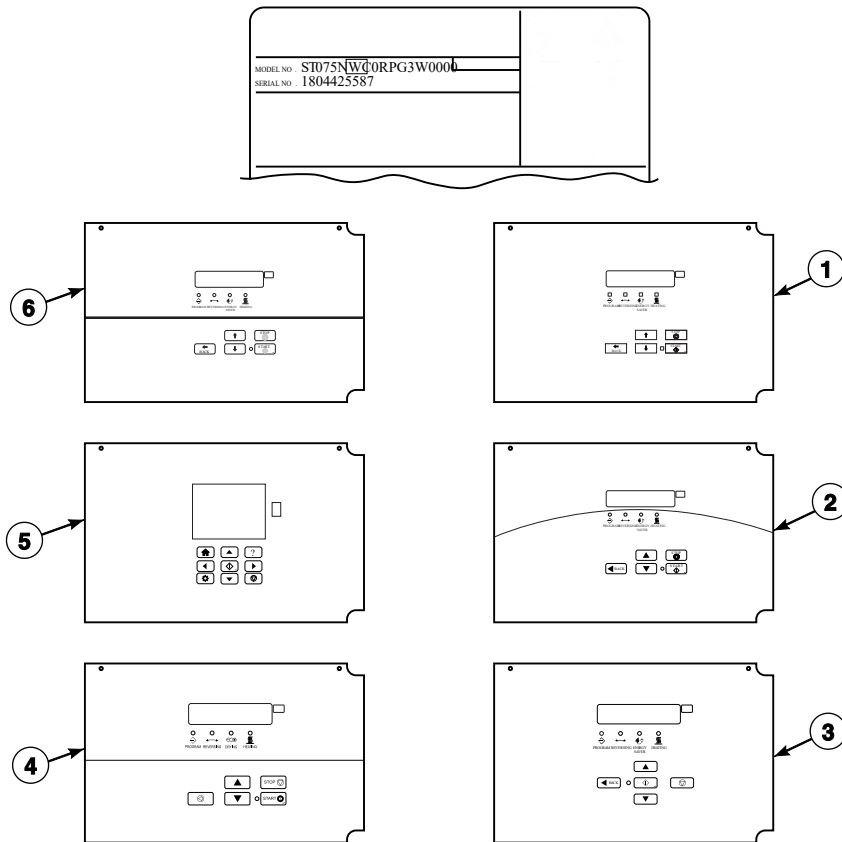


TMB3596P_70591901

Ref	Part	Description	Comments
1	-	NOT ON YOUR MODEL	
2	-	NOT ON YOUR MODEL	
3	-	NOT ON YOUR MODEL	
4	-	NOT ON YOUR MODEL	
5	-	Dual Digital Control	

Product Overview - DN and NN Control Suffixes

OPL

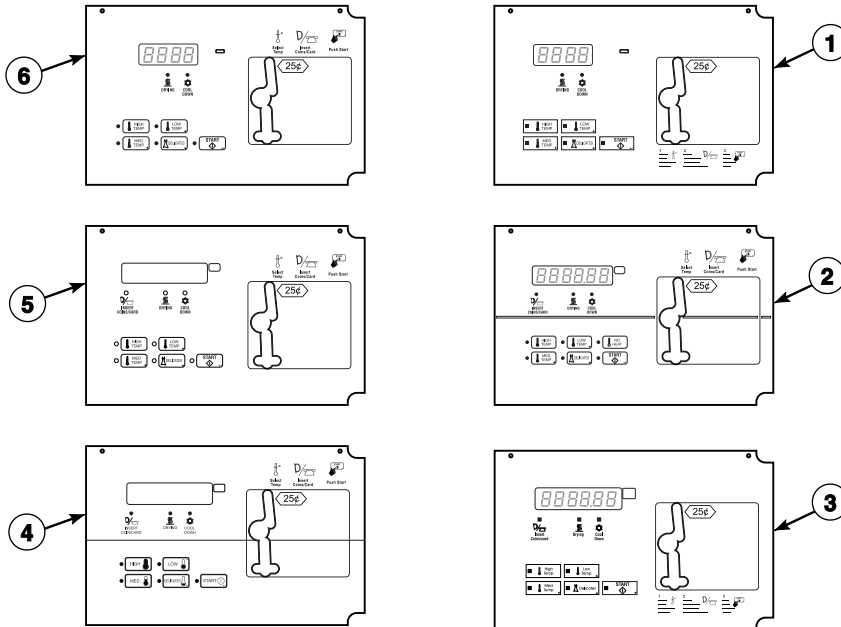
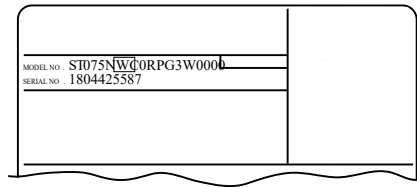


TMB3597P_70591901

Ref	Part	Description	Comments
1	-	NOT ON YOUR MODEL	
2	-	NOT ON YOUR MODEL	
3	-	NOT ON YOUR MODEL	
4	-	NOT ON YOUR MODEL	
5	-	NOT ON YOUR MODEL	
6	-	Quantum Gold Control	

Product Overview - B, N and W Control Suffixes

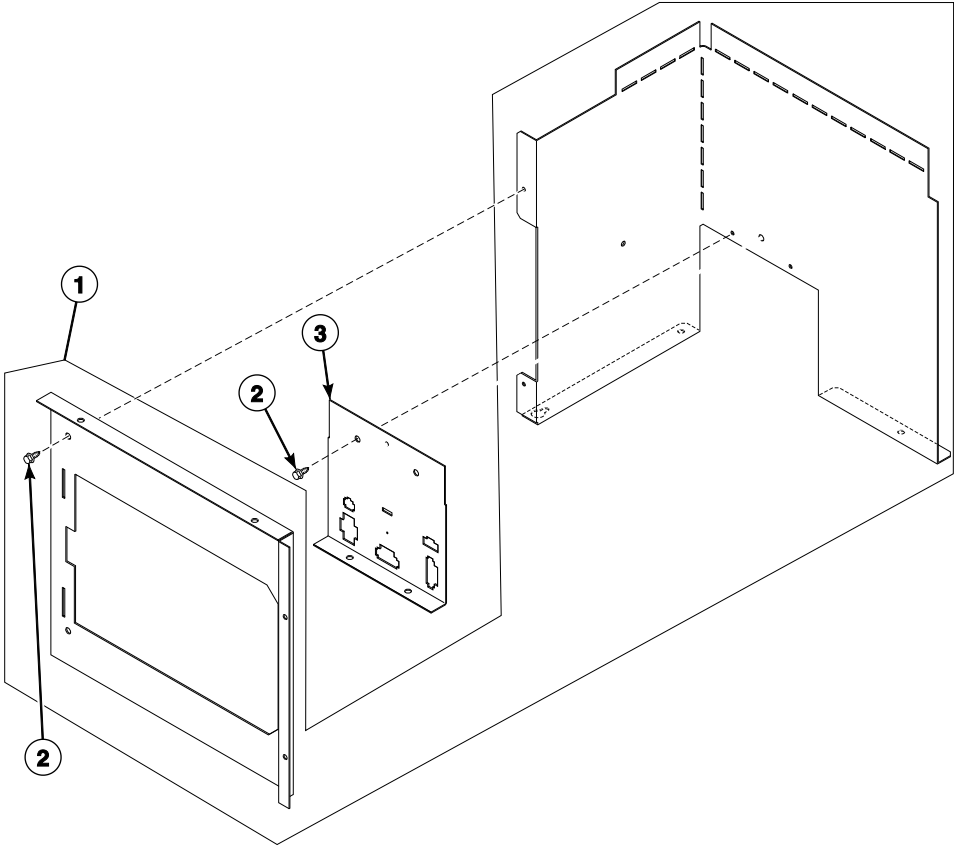
7th Position of the Model Number; Vend



TMB3598P_70591901

Ref	Part	Description	Comments
1	-	NOT ON YOUR MODEL	
2	-	Quantum Gold Control	
3	-	NOT ON YOUR MODEL	
4	-	NOT ON YOUR MODEL	
5	-	NOT ON YOUR MODEL	
6	-	MDC II Control	

Control Box

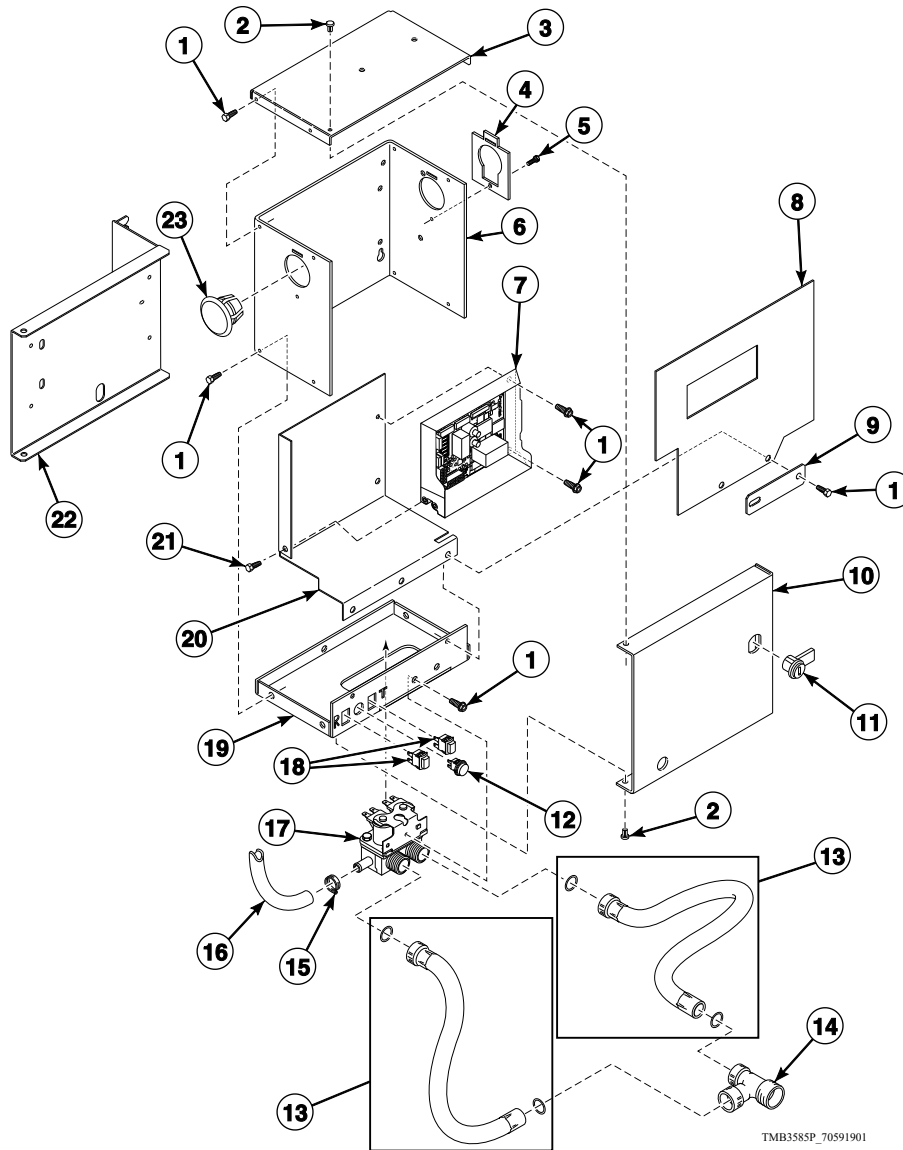


TMB3524P_70591901

Ref	Part	Description	Comments
	44334201	Main Harness	
1	44180101	Control Box Assembly	
2	430497	Screw	
3	70307007	Harness Mounting Plate	

Fire Suppression System Control Box

Gas and Steam Models



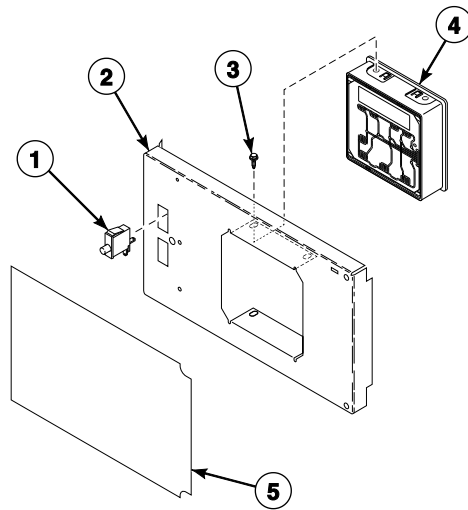
TMB3585P_70591901

Ref	Part	Description	Comments
44340301		Cold Weather Kit	
70155601		Key	RL001; Use with item 11
44334404		Control Harness	
44334405		Water Valve Harness	
44334402		Power Sensor Harness	
44334406		Sensor Harness	
44334401		Interconnect Harness	
44324501		Warning Label	F.S.S.
44324500		NOT ON YOUR MODEL	
F8614401		Shock Warning Label	

Ref	Part	Description	Comments
	F8614201	NOT ON YOUR MODEL	
	44318200	NOT ON YOUR MODEL	
	44324502	Warning Label	
	44318201	Label	
1	430497	Screw	
2	M400713	Drive Rivet	
3	44307101	Control Box Top	
4	70523301	Harness Adapter Plate	
5	51780	Screw	
6	44306701	Control Box Housing	
7	70511601	Control	
8	44326801	Shield	
9	70551701	Filter Mounting Plate	
10	44065201	Control Box Cover	
11	44089301P	Lock, Key and Nut Kit	RL001 key code; Optional if same key is to be used for control lock
12	801432	Light	
13	202799	Fill Hose	2 required
14	44069101	Hose Fitting	
15	36801	Hose Clamp	
16	44073304	Hose	14 inches; Outlet hose
17	70519801	Mixing Valve	
18	801434W	Push-to-Start Switch	2 required
19	44065301	Control Box Base	
20	44306601	Mixing Valve Shield Bracket	
21	804608	Screw	
22	44308701	Mount Bracket	
23	70180001	Plug	

Dual Digital Control

Models with F in the 7th Position



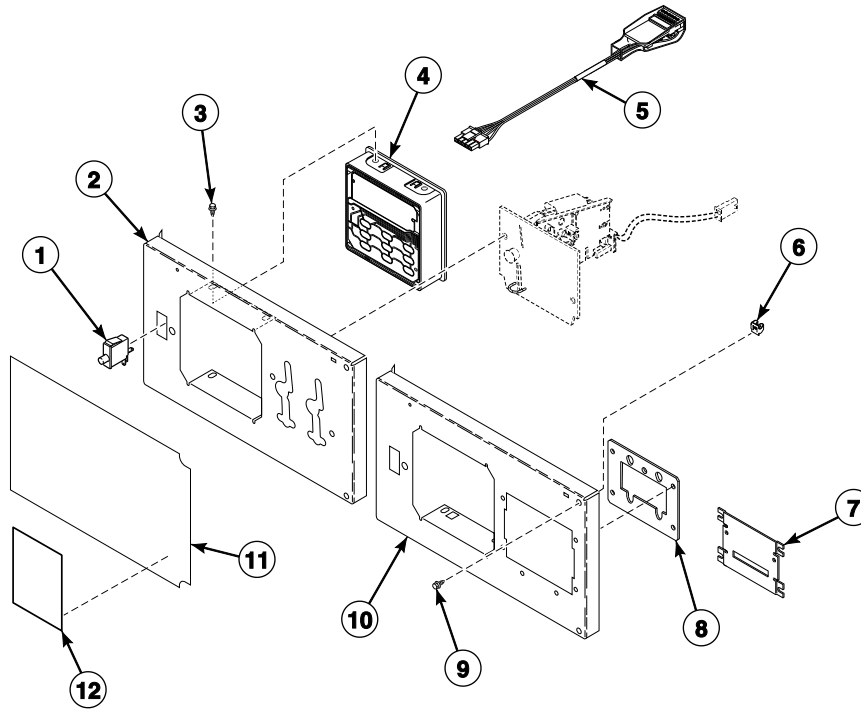
TMB3505P_70591901

Ref	Part	Description	Comments
	44334004	Vend Activation Harness	
1	70413301	Pushbutton Switch	
2	70497101	Control Plate	Design 3 S models
3	804608	Screw	4 required
4	70523101	NOT ON YOUR MODEL	
	70479801	Control Assembly	Green
	70479901	NOT ON YOUR MODEL	
5	70539102	NOT ON YOUR MODEL	
	70539101	NOT ON YOUR MODEL	
	70517802	NOT ON YOUR MODEL	

Ref	Part	Description	Comments
70517801		NOT ON YOUR MODEL	
70636502		NOT ON YOUR MODEL	
70636501		NOT ON YOUR MODEL	
70545502		NOT ON YOUR MODEL	
70545501		NOT ON YOUR MODEL	
70516802	Overlay		Nonreversing; Design 3
70516801	Overlay		Reversing; Design 3
70638702	Overlay		Nonreversing; Design 5
70638701	Overlay		Reversing; Design 5
70519002		NOT ON YOUR MODEL	
70519001		NOT ON YOUR MODEL	
70638802		NOT ON YOUR MODEL	
70638801		NOT ON YOUR MODEL	

Electronic Display Control - Vend Models with B in the 7th Position

H and S Models



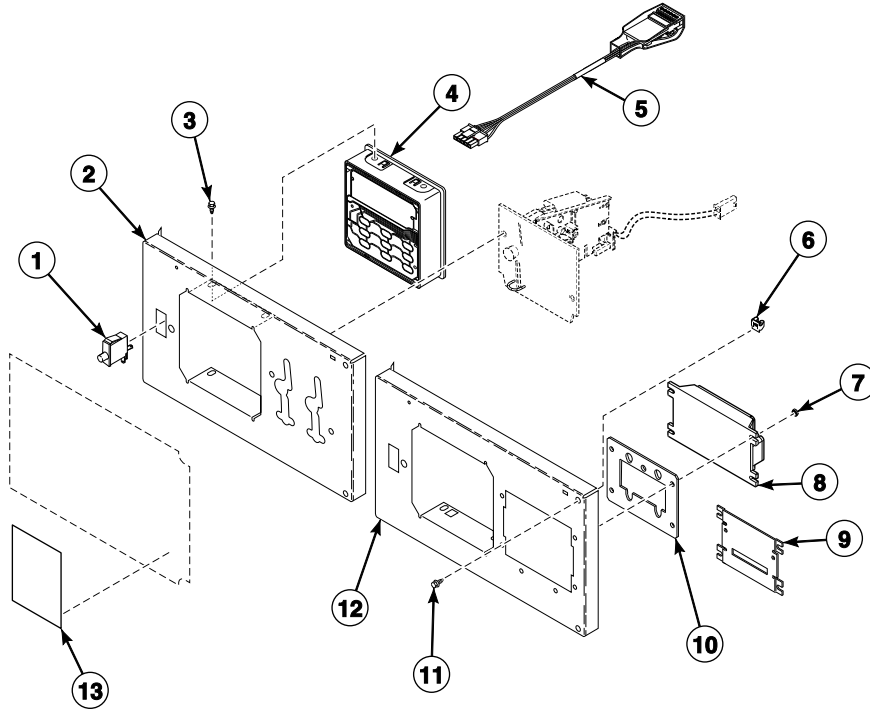
TMB3678P_70591901

Ref	Part	Description	Comments
	44334004	Vend Activation Harness	
	44342801	Central Pay Harness	Models through November 2018
1	70413301	Pushbutton Switch	
2	70496601	Control Plate and Studs Assembly	Coin and central pay; Design 3 S models
3	804608	Screw	4 required
4	70478801P	Control Assembly	
5	203361P	Machine ID Control Assembly	Model or serial number is required when ordering
6	70030501	Expansion Clip	2 required
7	44089501	Slot Card Plate Assembly	Included in literature packet
8	70208801	Mounting Plate	

Ref	Part	Description	Comments
9	M411072	Screw	2 required
10	70497201	Control Plate Assembly	Card and card ready; Design 3 S models
11	70544701	Overlay	Single drop; Design 3
	70544702	Overlay	Dual drop; Design 3
	70544703	Overlay	Card ready; Design 3
	70638201	Overlay	Single drop; Design 5
	70638202	Overlay	Dual drop; Design 5
	70638203	Overlay	Card ready; Design 5
	70570301	NOT ON YOUR MODEL	
	70570302	NOT ON YOUR MODEL	
	70570303	NOT ON YOUR MODEL	
	70636101	NOT ON YOUR MODEL	
	70636102	NOT ON YOUR MODEL	
	70636103	NOT ON YOUR MODEL	
12	F8205101	Overlay	Black; Single drop; Left; Design 3
	F8696101	Overlay	Black; Single drop; Left; Design 5
	70557001	Overlay	Prep for card; Design 3
	70557002	Overlay	Central pay; Design 3
	F8696301	Overlay	Prep for card; Design 5
	F8696302	Overlay	Central pay; Design 5
	70556501	NOT ON YOUR MODEL	
	70556502	NOT ON YOUR MODEL	
	70646001	NOT ON YOUR MODEL	
	70646002	NOT ON YOUR MODEL	

Electronic Display Control - Vend Models with N or W in the 7th Position

B, H, P and S Models



TMB3832P

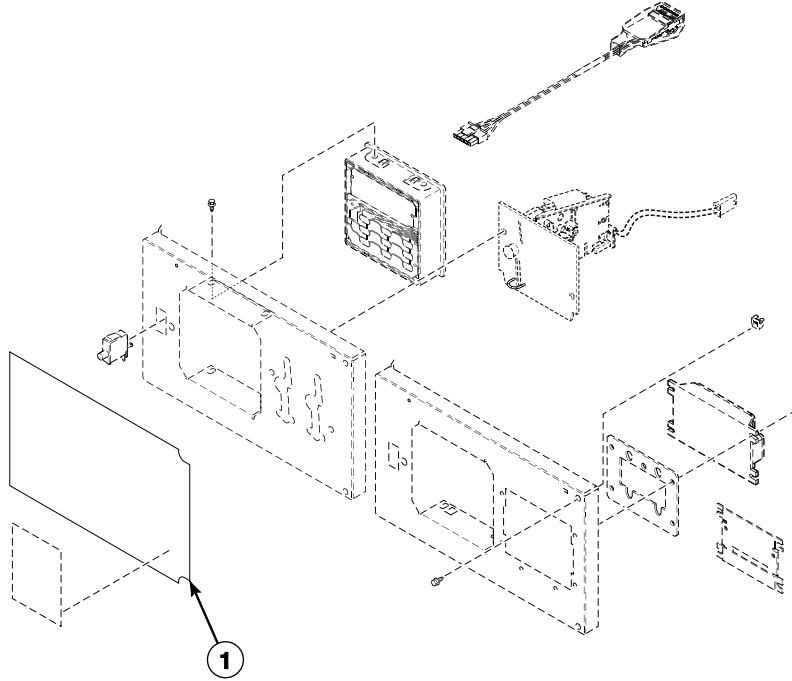
Ref	Part	Description	Comments
	44334004	Vend Activation Harness	
	F8719301	Fob Communication Harness	
1	70413301	Pushbutton Switch	
2	70496601	Control Plate and Studs Assembly	Coin and central pay; Design 3 S models
3	804608	Screw	4 required
4	70523001	NOT ON YOUR MODEL	
	70478801P	Control Assembly	Green
	70478901	NOT ON YOUR MODEL	
5	203361P	Machine ID Control Assembly	Model or serial number is required when ordering
6	70030501	Expansion Clip	

Ref	Part	Description	Comments
7	70054	Nut	
8	205135	Fob Reader Control Assembly	
9	44089501	Slot Card Plate Assembly	
10	70208801	Mounting Plate	
11	M411072	Screw	
12	70497201	Control Plate Assembly	Card, card ready and FOB; Design 3 S models
13	F8205101	Overlay	Single drop; Left; Design 3
	70557001	Overlay	Design 3 S models; Prep for card
	70557002	Overlay	Design 3 S models; Central pay
	70295101	Overlay	World drop; Design 3
	F8696101	Overlay	Single drop; Left; Design 5
	F8696301	Overlay	Prep for card; Design 5
	F8696302	Overlay	Central pay; Design 5
	F8696201	Overlay	World drop; Design 5
	70556801	NOT ON YOUR MODEL	
	70556501	NOT ON YOUR MODEL	
	70556502	NOT ON YOUR MODEL	
	70556601	NOT ON YOUR MODEL	
	70556901	NOT ON YOUR MODEL	
	70518101	NOT ON YOUR MODEL	
	70518102	NOT ON YOUR MODEL	
	70556701	NOT ON YOUR MODEL	
	70645901	NOT ON YOUR MODEL	
	70646001	NOT ON YOUR MODEL	
	70646002	NOT ON YOUR MODEL	
	70645601	NOT ON YOUR MODEL	
	70645801	NOT ON YOUR MODEL	
	70646101	NOT ON YOUR MODEL	
	70645701	NOT ON YOUR MODEL	
	70646102	NOT ON YOUR MODEL	
	70556201	NOT ON YOUR MODEL	
	70556401	NOT ON YOUR MODEL	
	70556402	NOT ON YOUR MODEL	
	70556301	NOT ON YOUR MODEL	
	F8733901	Overlay	FOB
	F8734201	NOT ON YOUR MODEL	

Ref	Part	Description	Comments
F8736501		NOT ON YOUR MODEL	

Electronic Display Control Overlays- Vend Models with N or W in the 7th Position

B, H, P and S Models

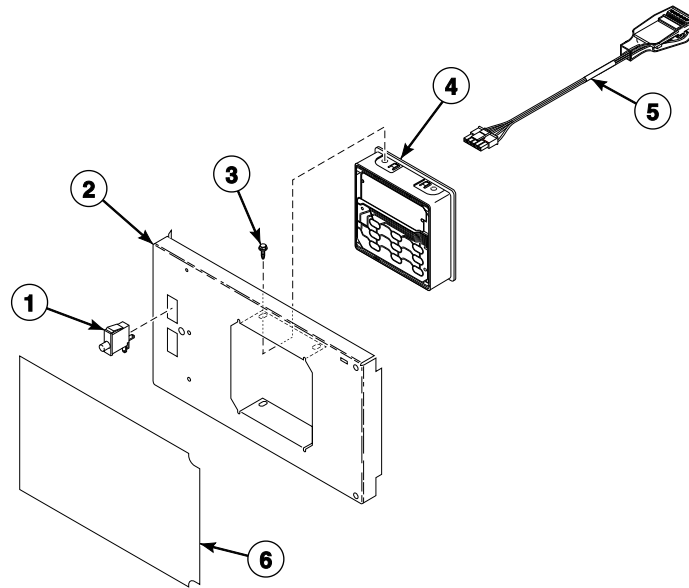


TMB3832PA

Ref	Part	Description	Comments
1	70512004	Overlay	Single drop; Design 3
	70512005	Overlay	Dual drop; Design 3
	70512006	Overlay	Card ready; Design 3
	70512007	Overlay	Central pay; Design 3
	70512008	Overlay	World drop; Design 3
	70637601	Overlay	Single drop; Design 5
	70637602	Overlay	Dual drop; Design 5
	70637603	Overlay	Card ready; Design 5
	70637604	Overlay	Central pay; Design 5
	70637605	Overlay	World drop; Design 5

Ref	Part	Description	Comments
70626301	Overlay		Single drop; English/Spanish; Design 3
70626302	Overlay		Dual drop; English/Spanish; Design 3
70626303	Overlay		Card ready; English/Spanish; Design 3
70559001	NOT ON YOUR MODEL		
70517001	NOT ON YOUR MODEL		
70517002	NOT ON YOUR MODEL		
70517003	NOT ON YOUR MODEL		
70517004	NOT ON YOUR MODEL		
70517005	NOT ON YOUR MODEL		
70636201	NOT ON YOUR MODEL		
70636202	NOT ON YOUR MODEL		
70636203	NOT ON YOUR MODEL		
70636204	NOT ON YOUR MODEL		
70636205	NOT ON YOUR MODEL		
70571001	NOT ON YOUR MODEL		
70571002	NOT ON YOUR MODEL		
70571003	NOT ON YOUR MODEL		
70518201	NOT ON YOUR MODEL		
70518202	NOT ON YOUR MODEL		
70518203	NOT ON YOUR MODEL		
70636301	NOT ON YOUR MODEL		
70636302	NOT ON YOUR MODEL		
70636303	NOT ON YOUR MODEL		
70571101	NOT ON YOUR MODEL		
70571102	NOT ON YOUR MODEL		
70571103	NOT ON YOUR MODEL		
70541201	NOT ON YOUR MODEL		
70541202	NOT ON YOUR MODEL		
70541203	NOT ON YOUR MODEL		

Electronic Display Control - OPL Models with N in the 7th Position



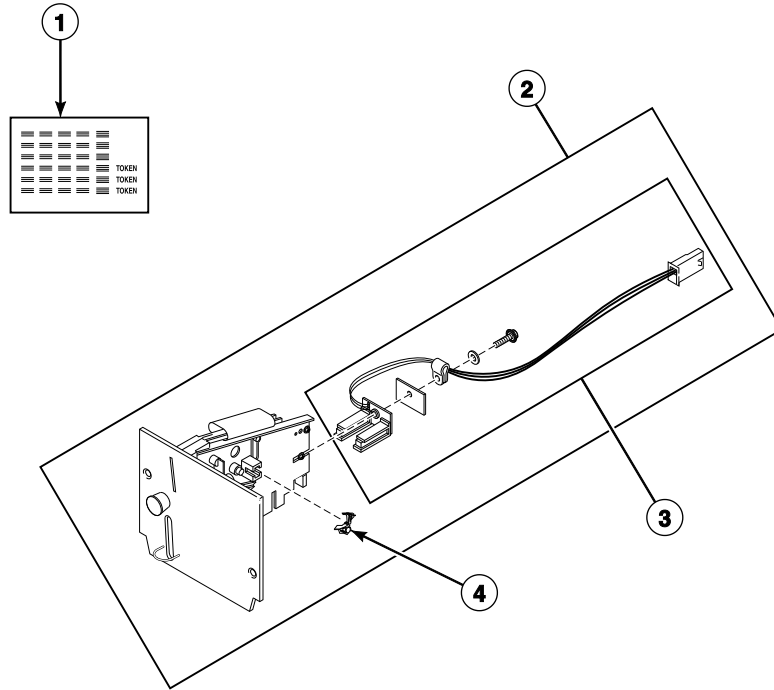
TMB3680P_70591901

Ref	Part	Description	Comments
	44334004	Vend Activation Harness	
1	70413301	Pushbutton Switch	
2	70497101	Control Plate	Design 3 S models
3	804608	Screw	4 required
4	70523002	NOT ON YOUR MODEL	
	70478802	Control Assembly	
	70478902	NOT ON YOUR MODEL	
5	203361P	Machine ID Control Assembly	Model or serial number is required when ordering
6	70570601	Overlay	Reversing; Design 3
	70570602	Overlay	Nonreversing; Design 3
	70638301	Overlay	Reversing; Design 5

Ref	Part	Description	Comments
70638302	Overlay		Nonreversing; Design 5
70571401	NOT ON YOUR MODEL		
70571402	NOT ON YOUR MODEL		
70638901	NOT ON YOUR MODEL		
70638902	NOT ON YOUR MODEL		
70570801	NOT ON YOUR MODEL		
70570802	NOT ON YOUR MODEL		
70636401	NOT ON YOUR MODEL		
70636402	NOT ON YOUR MODEL		
70548801	NOT ON YOUR MODEL		
70548802	NOT ON YOUR MODEL		
70571601	NOT ON YOUR MODEL		
70571602	NOT ON YOUR MODEL		

Coin Drops

All Models Except U Models



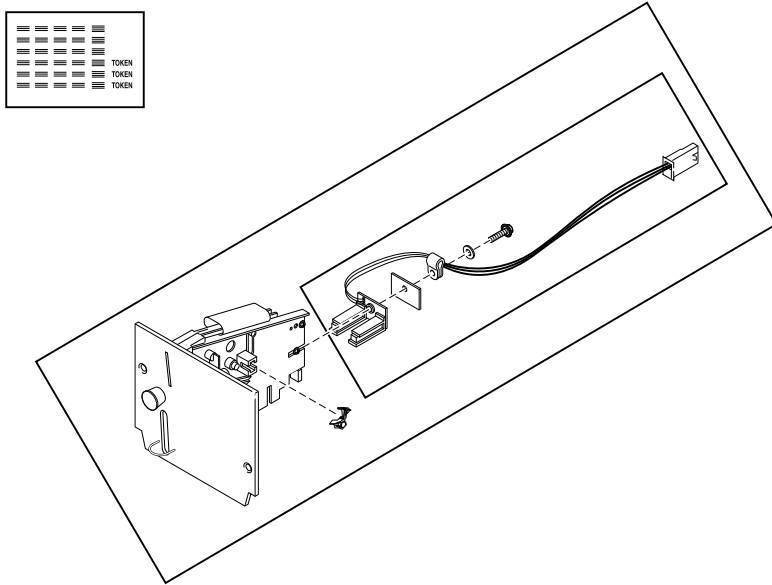
TMB3510P_70591901

Ref	Part	Description	Comments
1	38725	Coin Identification Paper	
2	70441601P	Coin Drop	Single; U.S.A.; \$.25
	38475	Coin Drop Assembly	Single; Japan; 100 yen
	38464P	Coin Drop Assembly	Single; Canada; .25
	CK077	Coin Drop Kit	Single; Taiwan; 10 NT
	70506901	Coin Drop Assembly	Single; Singapore; \$1.00 NEW
	70441603	Coin Drop	Dual; U.S.A.; \$.25 and \$1.00
	38519	Coin Drop Assembly	Dual; Japan; 100 yen and 500 yen
	70441602	Coin Drop Assembly	Dual; Canada; .25 and 1.00
	38467	Coin Drop Assembly	Dual; Australia; \$0.20 and \$1.00

Ref	Part	Description	Comments
	70447301	Coin Drop Assembly	Dual; Australia; \$1.00 and \$2.00
	70283102	Coin Drop Assembly	Dual; 0.20 and 0.50 Euro
	210195	Coin Drop Assembly	Dual; 0.20 and 1.00 Euro
	210196	Coin Drop Assembly	Dual; 0.50 and 1.00 Euro
	F0160737-00	Coin Meter	Dual; 0.50 and 2.00 Euro
	70281102	Coin Drop Assembly	Dual; Taiwan; 10 and 50 NT
	70482401	Coin Drop Assembly	Dual; New Zealand ; \$1.00 and \$2.00
	38462P	Coin Drop Assembly	Single; Token; STD 118-1
	38463	Coin Drop Assembly	Single; Token; STD 118-5
	38963P	Coin Drop	Single; Token STD 118-16
	39748	Coin Drop	Single; Jeton 08MS
	201141	Coin Drop Assembly	Single; Token; Jeton wh121
	70471601	Coin Drop Assembly	Single; Token; 7K
	70513302	Electronic Coin Drop Assembly	Euro and Great Britain coins
	70513310	Electronic Coin Drop Assembly	Japan and Thailand coins
	70513304	Electronic Coin Drop Assembly	Australia, New Zealand, Hong Kong and South Korea coins
	70513303	Electronic Coin Drop Assembly	Denmark, Norway and Euro coins
	70513306	Electronic Coin Drop Assembly	Mexico, Ecuador and U.S.A. coins
	70294107	Electronic Coin Drop Assembly	Lithuania, Latvia and Euro coins
	70513311	Electronic Coin Drop Assembly	China and Malaysia coins
	70513308	Electronic Coin Drop Assembly	South African 1, 2 and 5 rand coins
	70513309	Electronic Coin Drop Assembly	Euro coins
	70513312	Electronic Coin Drop Assembly	Russia coins
	70513313	Electronic Coin Drop Assembly	Phillipines coins
	70513314	Electronic Coin Drop Assembly	Thailand coins
	70513315	Electronic Coin Drop Assembly	Chile coins
	70513316	Electronic Coin Drop Assembly	Singapore coins
3	200674P	Opto Coupler	
4	201595P	Wire Guard	

Coin Drop Kits

All Models Except U Models



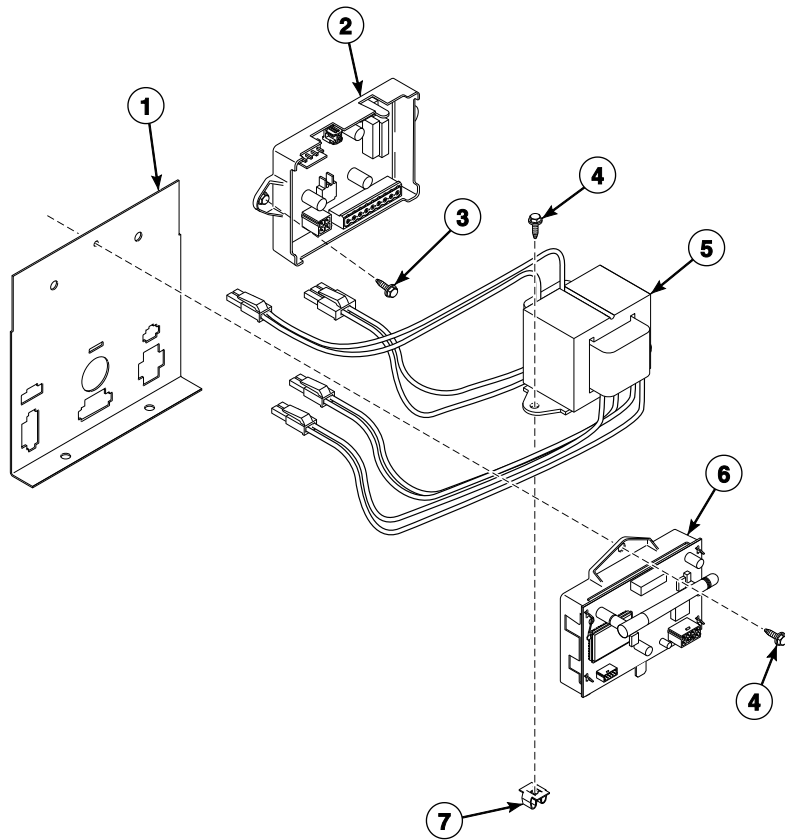
TMB3510PA_70591901

Ref	Part	Description	Comments
CK115	Electronic Coin Drop Kit	United States and Canada	
CK099	Electronic Coin Drop Kit	Australia (default), New Zealand, Hong Kong, South Korea and Malaysia	
CK100	Electronic Coin Drop Kit	United Kingdom (default) and Europe	
CK101	Electronic Coin Drop Kit	Europe (default), Denmark and Norway	
CK108	Electronic Coin Drop Kit	South Africa	
CK109	Electronic Coin Drop Kit	Euro	
CK110	Electronic Coin Drop Kit	Mexico (default), Ecuador and United States	
CK113	Electronic Coin Drop Kit	Japan and Taiwan	
CK116	Electronic Coin Drop Kit	Malaysia (default) and China	
CK117	Electronic Coin Drop Kit	Russia	

Ref	Part	Description	Comments
CK118	Electronic Coin Drop Kit		Philippine
CK119	Electronic Coin Drop Kit		Thailand
CK120	Electronic Coin Drop Kit		Chile
CK121	Electronic Coin Drop Kit		Singapore
CK122	Coin Drop Kit		New Zealand; 1.00 and 2.00

Network Board, Central Pay and Card Reader Components

Central Pay Starting December 2018



TMB3689P_70591901

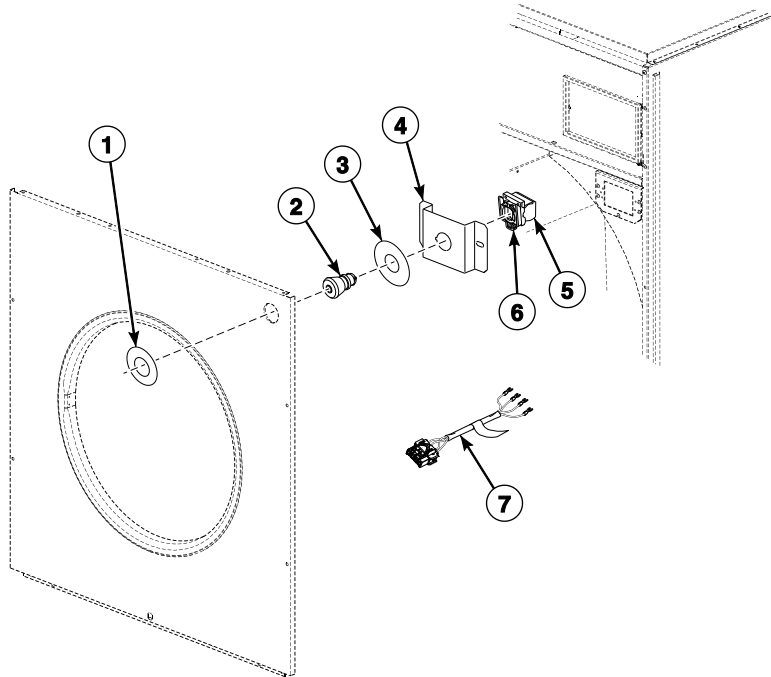
Ref	Part	Description	Comments
	70596301	Wireless Network Kit	models through 5/12/19
	70609701	Wireless Network Kit	models starting 5/13/19
	F8536002	Wireless Network Board Harness	models through 5/12/19
	F8613201	FCC-IC Label	models through 5/12/19
	F8674006	Wireless Network Harness	models starting 5/13/19
	204692	Wireless Control Label	models starting 5/13/19
	NK320	Ethernet Gateway Kit	models through 5/12/19
	NK330	USB Gateway Kit	models through 5/12/19
	205070	NOT ON YOUR MODEL	
	205069	NOT ON YOUR MODEL	

Ref	Part	Description	Comments
	205068	Payment Center Kit	
	205067	Payment Center Kit	Includes printer
	205318	NOT ON YOUR MODEL	
	205316	NOT ON YOUR MODEL	
	203346	USB IR Interface Kit	
	70666806	Fob Reader Kit	
	44355602	Central Pay Harness	Routes from central pay board to control tray
	44272301	Transformer Harness	100-120 Volt; Routes from transformer to I/O Control Assembly; Card and central pay
	44272302	Transformer Harness	200-480 Volt; Routes from transformer to I/O Control Assembly; Card and central pay
	44355604	Central Pay Board Harness	Routes from central pay board to transformer
	44355605	Central Pay Harness	Routes from central pay board to front end control
1	70307007	Harness Mounting Plate	
2	44359001	Central Pay Kit	100-120 Volt
	44359003	Central Pay Kit	200-480 Volt
3	51780	Screw	2 required
4	F8206901	Screw	
5	202757	Transformer	100-120 Volt; Card and central pay
	202758	Transformer	200-480 Volt; Card and central pay
6	203532	Wireless Network Control Assembly	models through 5/12/19
	807211	Wireless Network Control Assembly	models starting 5/13/19
7	70030501	Expansion Clip	2 required

Emergency Stop Button - OPL Models

A, H, J, K, R and U in the 2nd Position

G and T in the 2nd Position Through 12/31/18

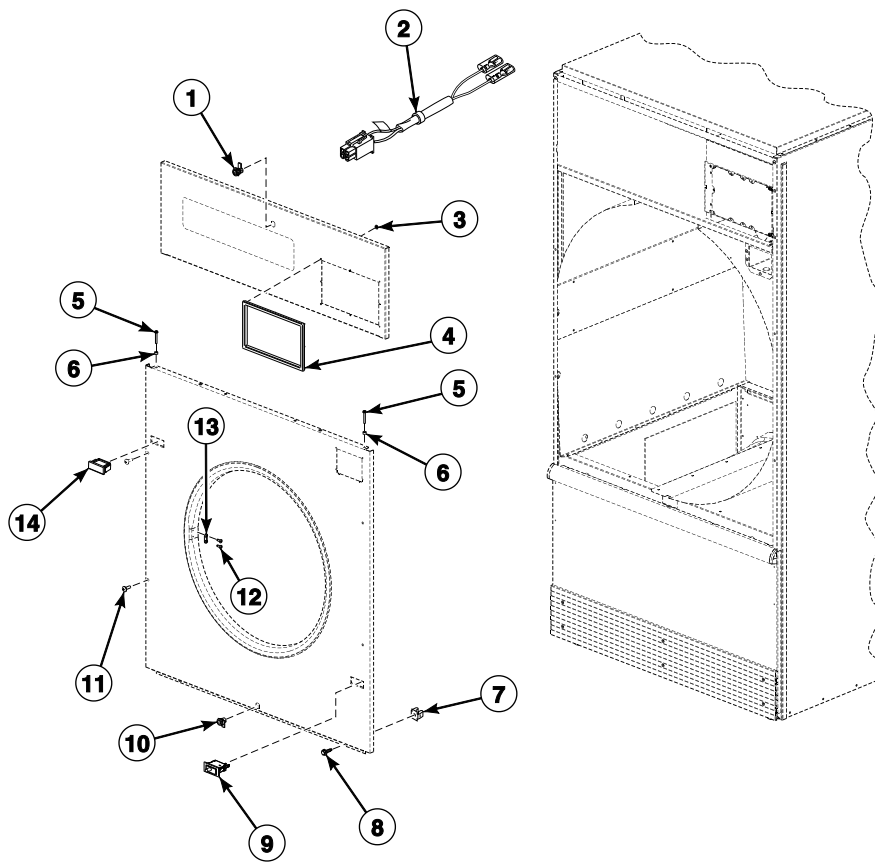


TMB3513P_70591901

Ref	Part	Description	Comments
	70580301	Emergency Stop Button Kit	Includes items 2-4
	F8519403	Emergency Stop Bypass Harness	Coin, card and central pay
	44272106	Emergency Stop Interconnect Harness	
1	44012903	Emergency Stop Label	
2	F200233500	Emergency Stop Pushbutton	
3	44012901	Emergency Stop Label	
4	70550401	Emergency Stop Mounting Bracket	
5	F8069501	Contact Switch	2 required
6	F8538101	Contact Base	

Ref	Part	Description	Comments
7	44272401	Emergency Stop Harness	

Cabinet Front Components

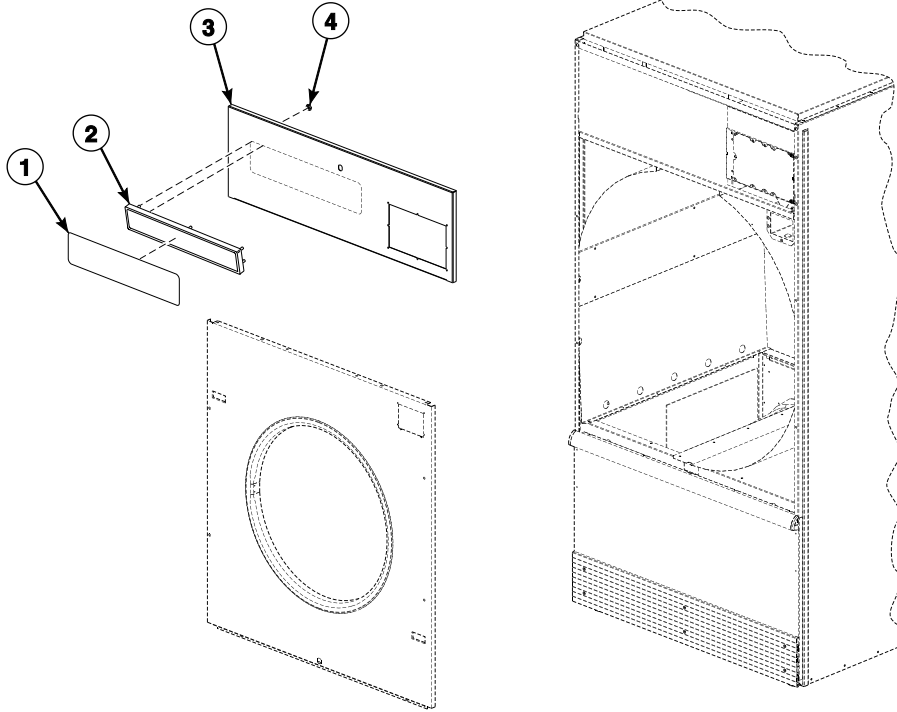


TMB3538P_70591901

Ref	Part	Description	Comments
	M4379P4	Tumbler Dolly Kit	
	44271502	Door Switch Harness	
	44334103	Bypass Harness	Card and central pay
	70482901	Door Catch Kit	
1	44089301P	Lock, Key and Nut Kit	RL001 key code; Black; Control panel; Optional if same key is to be used for control lock
	70155601	Key	RL001
	44089304	Panel Lock	RL001; Chrome
2	44334101	Coin Vault Switch Harness	
3	M400977	Nut	8 required per control trim
4	70529401	NOT ON YOUR MODEL	
	44016401	Control Trim	Design 3 S models; Black

Ref	Part	Description	Comments
5	70275801	Screw	4 required
6	56079	Panel Locator	2 required
7	70030501	Expansion Clip	
8	M411072	Screw	4 required; Front panel; Bottom
9	70413301	Pushbutton Switch	Door switch
10	44089301P	Lock, Key and Nut Kit	RL001 key code; Black; Lint panel; Optional if same key is to be used for control lock
	70155601	Key	RL001
	44089302P	Lock, Key and Nut Kit	RL002 key code; Lint panel; Standard coin and card models
	70155602	Key	RL002
	44089305	Panel Lock	RL002; Chrome
11	70033502	Screw	2 required for stainless steel panels in addition to 2 of 70182601 Screw
	70182601	Screw	2 required for stainless steel panels in addition to 2 of 70033502 Screw; 4 required for painted panels
12	M400003	Pop Rivet	2 per door latch
13	M401223	Door Latch	2 required
14	44057801W	Switch Hole Plug	White; Design 3 models
	44057801Q	Switch Hole Plug	Bisque; Design 3 models
	44057801B	Switch Hole Plug	Black; For stainless steel; Design 3 models
	44057801LG	Switch Hole Plug	Light gray; Design 3 models

Cabinet Panels and Nameplates

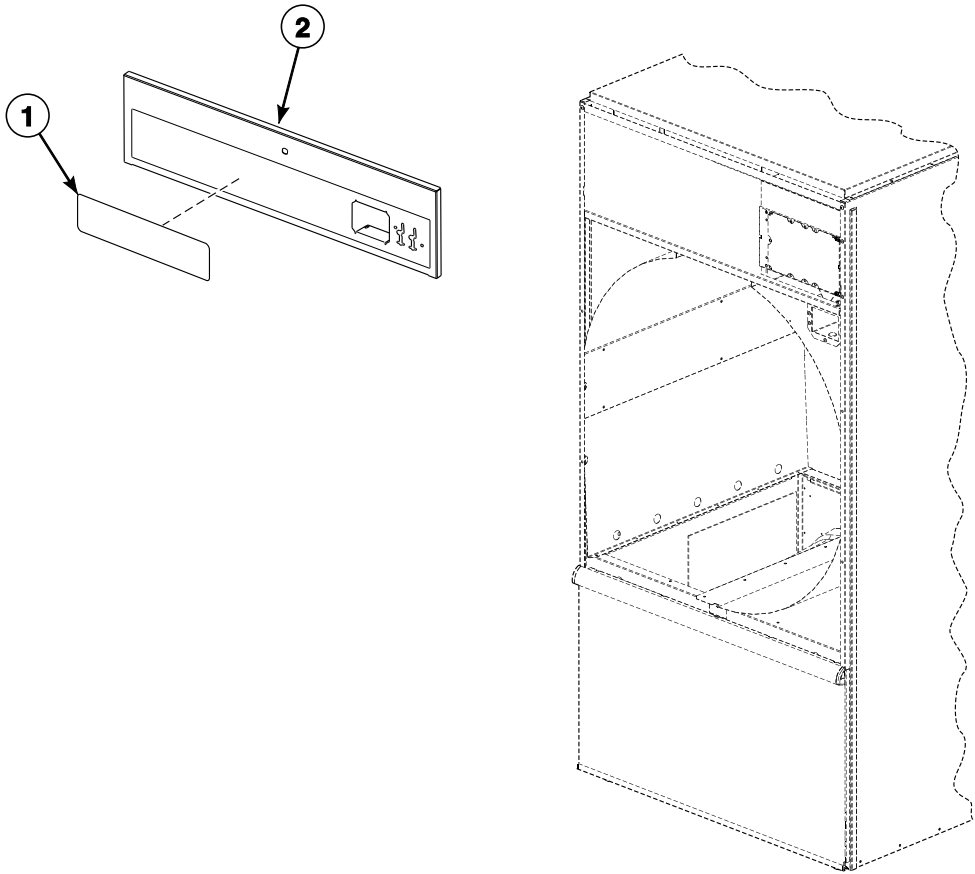


TMB3539P_70591901

Ref	Part	Description	Comments
	44150105	Insulation	Use behind item 3
1	44010601	Nameplate	Design 3
	F8688901	Nameplate	Design 5
	F8688001	NOT ON YOUR MODEL	
	F8443106	NOT ON YOUR MODEL	
	70541801	NOT ON YOUR MODEL	
	567887	NOT ON YOUR MODEL	
2	70117401	Nameplate Bezel	Design 3
3	44040008B	NOT ON YOUR MODEL	
	44040005*	NOT ON YOUR MODEL	
	44040013	NOT ON YOUR MODEL	
	44000122*	Control Panel	Only white available for Design 5

Ref	Part	Description	Comments
	44000125	Control Panel	Design 3 S models; Stainless steel
	44040015LG	NOT ON YOUR MODEL	
	44040014	NOT ON YOUR MODEL	
	44040011*	NOT ON YOUR MODEL	
	44000130DG	NOT ON YOUR MODEL	
4	M400977	Nut	6 required; Design 3

Cabinet Panels and Nameplates - Design 5 S Models

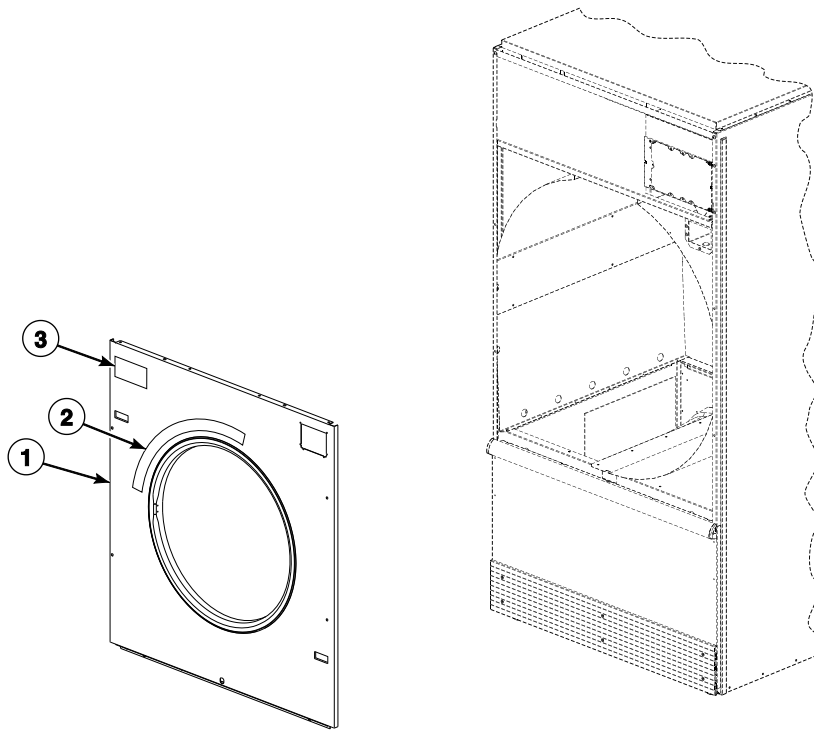


TMB3814P_70591901

Ref	Part	Description	Comments
	F8521303	Lanyard Cable	
1	F8688901	Nameplate	
2	44368001	Control Panel	Stainless steel; Coin
	44368002	Control Panel	Stainless steel; Card
	44367103	Control Panel	Stainless steel; OPL
	44368003W	Control Panel	Coin
	44368004W	Control Panel	Card

Ref	Part	Description	Comments
44367106W		Control Panel	OPL

Front Panel Assemblies - Design 3 Models



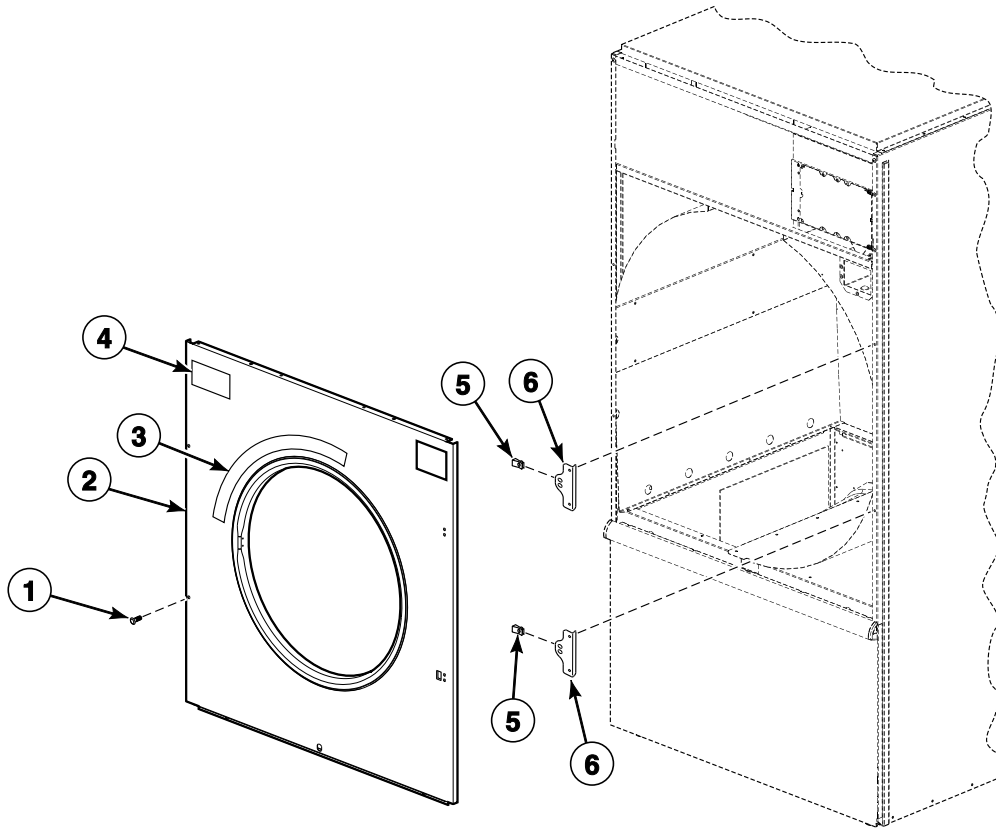
TMB3608P_70591901

Ref	Part	Description	Comments
1	44052525*	Front Panel	Coin
	44052527	Front Panel	Coin; Stainless steel
	44052526DG	NOT ON YOUR MODEL	
	44052503*	Front Panel	Card and central pay
	44052522	Front Panel	Card and central pay; Stainless steel
	44052520DG	NOT ON YOUR MODEL	
	44052528*	Front Panel	OPL; With e-stop
	44052529	Front Panel	OPL; Stainless steel; With e-stop
	44052530LG	NOT ON YOUR MODEL	
	44052530DG	NOT ON YOUR MODEL	
	44052505*	Front Panel	OPL; Without e-stop
	44077919	Front Panel	OPL; Stainless steel; Without e-stop

Ref	Part	Description	Comments
	44052517LG	NOT ON YOUR MODEL	
	44052517DG	NOT ON YOUR MODEL	
2	70534401	Warning Label	English
	70534402	Warning Label	French
	70534405	Warning Label	Colombian Spanish
	70534400	NOT ON YOUR MODEL	
3	44190901	NOT ON YOUR MODEL	
	70537001	Label	C.A.R.E.

Front Panel Assemblies - Design 5 Models

H, S and U Models

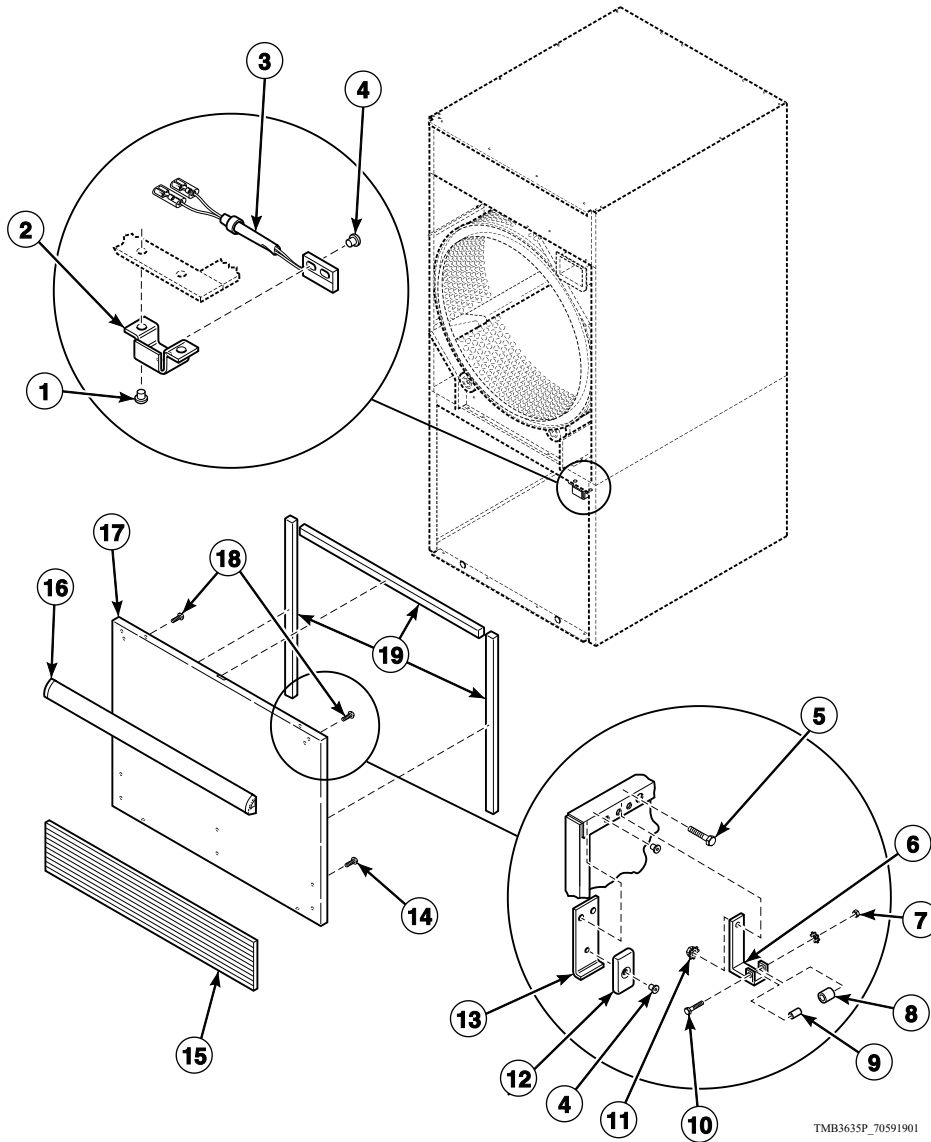


TMB3815P_70591901

Ref	Part	Description	Comments
	70058501	Pop Rivet	Use to attach item 6
1	70182601	Screw	
2	44367403	Front Panel	Stainless steel; Coin
	44367406	Front Panel	Stainless steel; Card and central pay
	44367409	Front Panel	Stainless steel; OPL
	44367408LG	NOT ON YOUR MODEL	

Ref	Part	Description	Comments
	44367401W	Front Panel	Coin
	44367404W	Front Panel	Card and central pay
	44367407W	Front Panel	OPL
3	70534401	Warning Label	English
	70534402	Warning Label	French
	70534405	Warning Label	Colombian Spanish
4	70537001	Label	C.A.R.E.
5	70030401	Nut	
6	70634301	Lug Mount Bracket	

Lower Cabinet Front Components

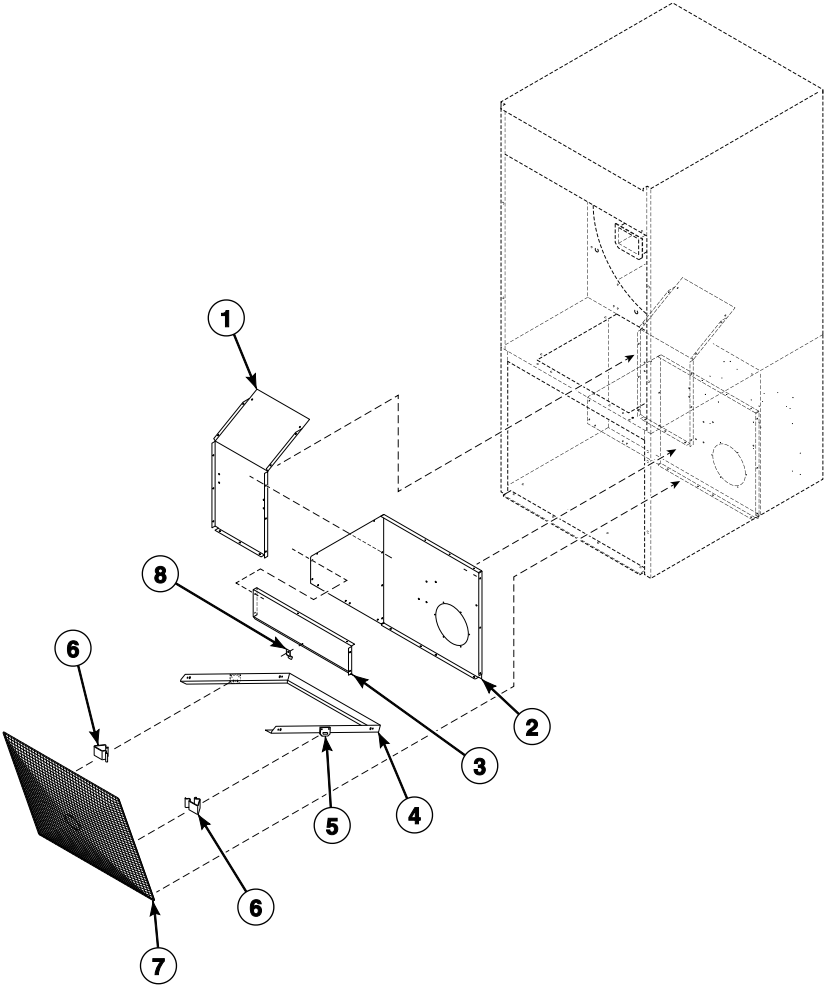


TMB3635P_70591901

Ref	Part	Description	Comments
	70404001	Roller Bracket Assembly	Includes items 6-10
1	70058501	Pop Rivet	
2	44296101	Switch Bracket	
3	F8066804	Reed Switch Assembly	
4	F8245101	Blind Rivet	
5	70132301	Screw	Attaching roller catch
6	70030301	Roller Catch Arm	
7	23951	Nut	
8	70297601	Roller Catch Wheel	
9	70030201	Roller Catch Spacer	
10	70072801	Screw	

Ref	Part	Description	Comments
11	51236	Nut	Attaching roller catch
12	70343101	Magnet	
13	44290501	Magnet Bracket	
14	70126301	Pop Rivet	For attaching kickplate; Black; 6 required
	70126401	Pop Rivet	For attaching kickplate; Gray; 6 required
15	70117619	NOT ON YOUR MODEL	
	70117607	Kickplate	Black; Design 3
16	70154405P	Handle and Caps Assembly	Black; Includes endcaps
	70407210	NOT ON YOUR MODEL	
	70154415	NOT ON YOUR MODEL	
17	44293601*	Lint Panel	Design 3 Models
	44293604DG	NOT ON YOUR MODEL	
	44293603LG	NOT ON YOUR MODEL	
	44293602	Lint Panel	Design 3; Stainless steel
	44293605	Lint Panel	Design 5 H, S and U models; Stainless steel; No kickplate
	44293604LG	NOT ON YOUR MODEL	
	44293606W	Lint Panel	Design 5 H, S and U models; No kickplate
18	430757	Screw	
19	70289101P	Gasket	Sold per foot

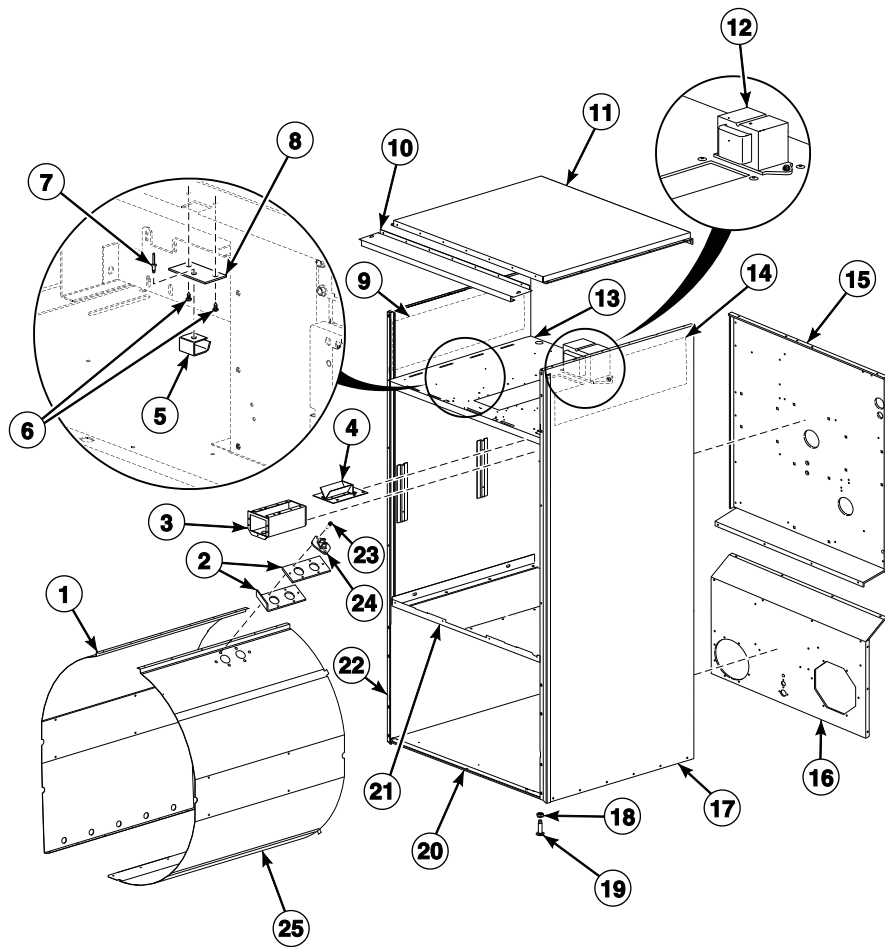
Lint Panel Components



TMB3637P_70591901

Ref	Part	Description	Comments
1	44298101	NOT ON YOUR MODEL	
	44298102	Lint Panel	Left
2	44298201	NOT ON YOUR MODEL	
	44300901	Lint Panel	Right
3	44298901	Lint Screen Top Rail	
4	44325301	Lint Bracket	
5	44140202	Lint Clip Bracket	2 required
6	35865	Hold-Down Clip	2 required
7	44063601	Lint Screen	
8	H96418413	Lint Screen Clip	

Cabinet Components



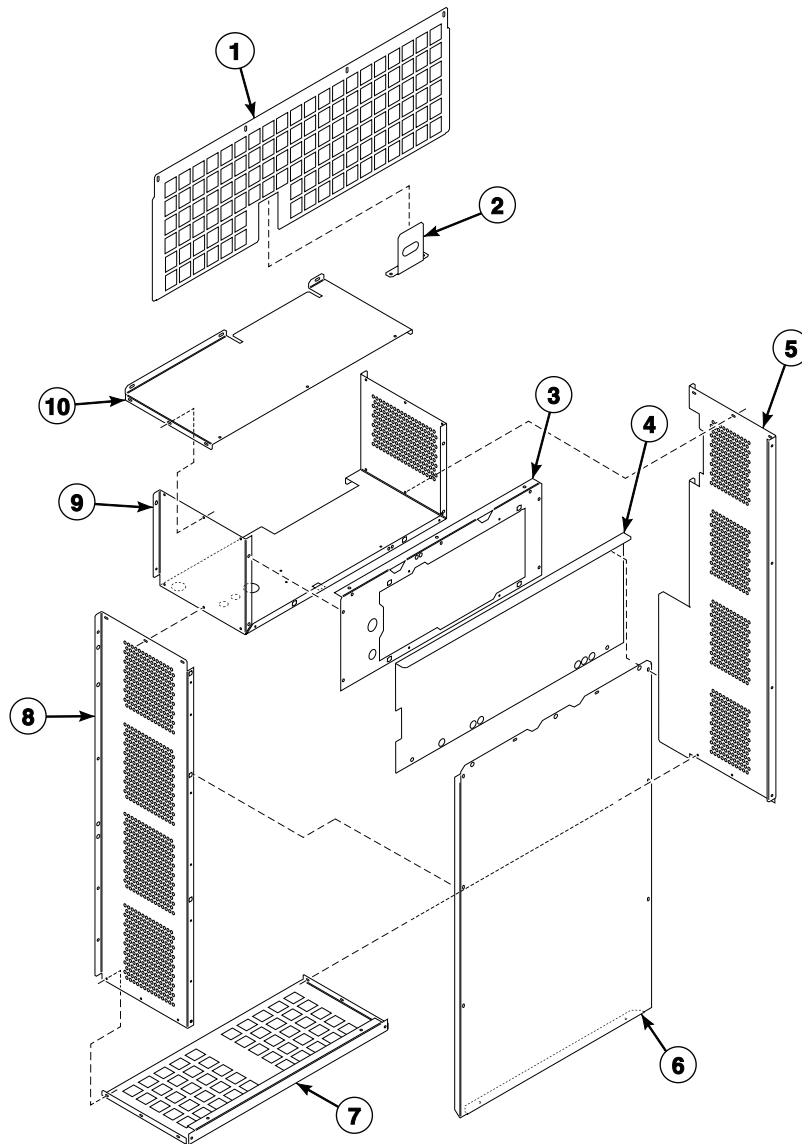
TMB3638P_70591901

Ref	Part	Description	Comments
	298P4P	Spray Paint	White
	122P4P	Porcelain Touch-Up Paint	White
	370P4P	Porcelain Touch-Up Paint	Bisque
	70058501	Pop Rivet	Use with items 17 and 22
	430497	Screw	Use with items 17 and 22
	44334103	Bypass Harness	Coin vault switch
	44334101	Coin Vault Switch Harness	
	44272301	Transformer Harness	120 Volt; Use with item 12
	44272302	Transformer Harness	240 Volt; Use with item 12
1	44299001	Baffle	Left
2	44068101	Thermistor Plate	
	44068102	Thermistor Plate	Use as a shim

Ref	Part	Description	Comments
3	70529501	Coin Vault Assembly	
	70529502	Coin Vault and Emergency Stop Mount Assembly	Models with emergency stop
	F160673P	Coin Box	Optional equipment; Includes lock and key
4	70296401	Coin Chute Assembly	Wide
5	431318	Control Door Latch	
6	431287	Screw	
7	M400003	Pop Rivet	
8	44003201	Latch Mounting Bracket	
9	44150102	Insulation	
10	44368201	Top Panel Bracket	
11	44129301P	Top Cover Pan	
	44139301	NOT ON YOUR MODEL	
12	202757	Transformer	100-120 Volt; Card reader models
	202758	Transformer	All other voltages; Card reader models
13	44300101	Top Pan	
14	44150105	Insulation	
15	44297001	Upper Rear Panel	
16	44297101	NOT ON YOUR MODEL	
	44300001	Lower Rear Panel	
17	44299501DG	NOT ON YOUR MODEL	
	44299501*P	Side Panel	Design 3; Right
	44299501LG	NOT ON YOUR MODEL	
	44367801LG	NOT ON YOUR MODEL	
	44367801W	Side Panel	Design 5 H, S and U models; Right
18	21899	Nut	Right
19	70247701	Screw	Leveling leg
20	44298701	Bottom Pan	
21	44298601	Center Pan	
22	44299401DG	NOT ON YOUR MODEL	
	44299401*	Side Panel	Design 3; Left
	44299401LG	NOT ON YOUR MODEL	
	44367701LG	NOT ON YOUR MODEL	
	44367701W	Side Panel	Design 5 H, S and U models; Left
23	51780	Screw	
24	44064701	Thermistor	
25	44299802	Baffle	Right

Ref	Part	Description	Comments
44299801	Baffle		Right with fire suppression system

Rear Panel and Belt Guard Components

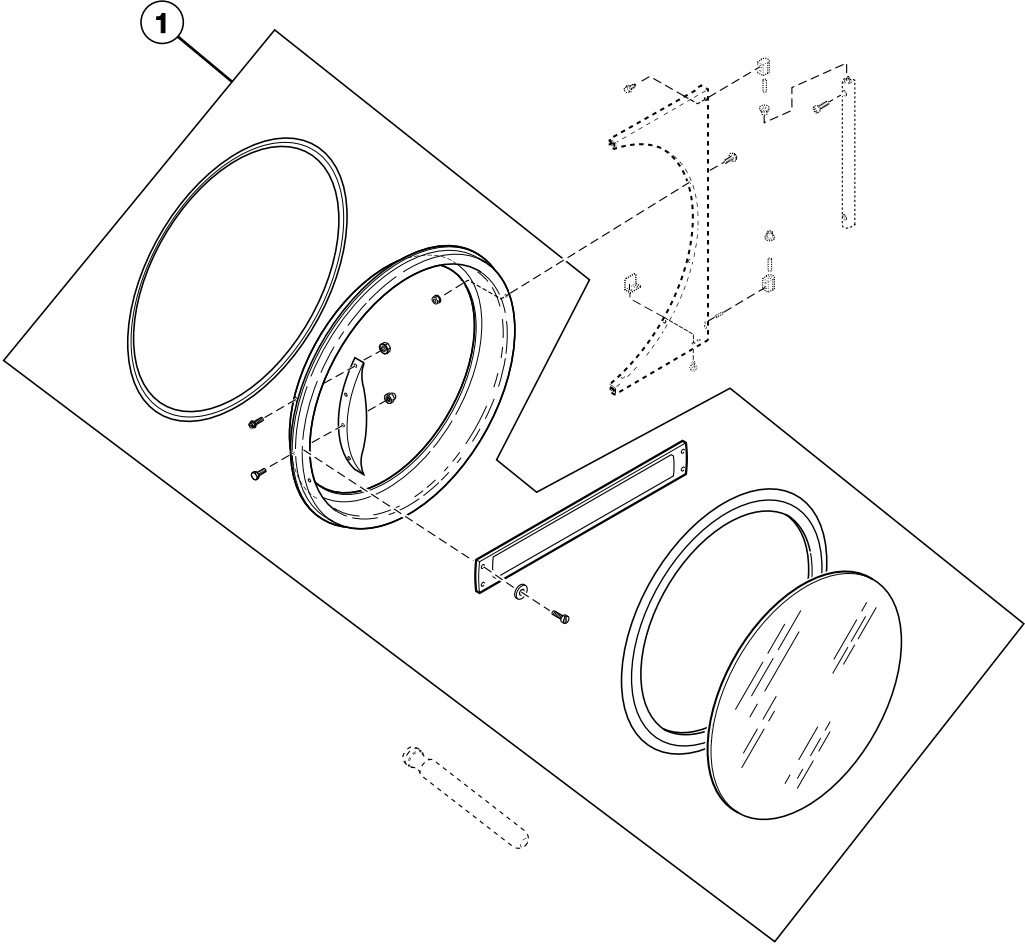


TMB3729P_70591901

Ref	Part	Description	Comments
1	44300301	Stove Grate	
	44300302	NOT ON YOUR MODEL	
	44305601	NOT ON YOUR MODEL	
2	44327601	Pipe Bracket	
3	44332201	Belt Guard	Middle
4	70507501	Control Tray Cover	
5	44298301	Belt Guard Side Panel	Left
6	44269201	Guard Panel	Rear
	44269202	Guard Panel	Rear with fire suppression system
7	44298401	Belt Guard	Bottom
8	44301101	Belt Guard Side Panel	Right

Ref	Part	Description	Comments
9	44332301	Guard Panel	Middle
10	44314301	Belt Guard	Top

Door Assemblies

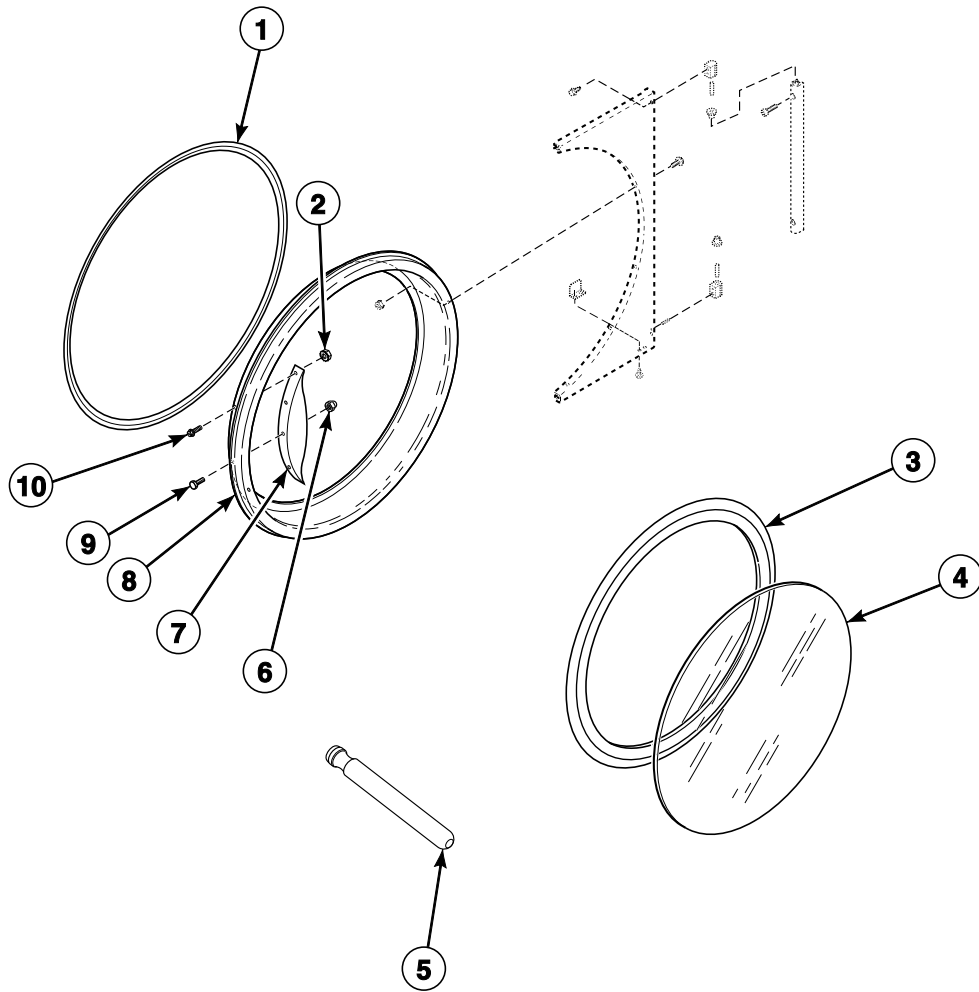


TMB3152P_70591901

Ref	Part	Description	Comments
1	44028906	Door Assembly	Design 3 S models; Stainless steel
	44354701	Door Assembly	Stainless steel; Design 5
	44028908	Door Assembly	Design 3 S models; Chrome
	44354702	Door Assembly	Chrome; Design 5
	44266703	NOT ON YOUR MODEL	
	44354703	NOT ON YOUR MODEL	
	44266704	NOT ON YOUR MODEL	

Ref	Part	Description	Comments
44354704		NOT ON YOUR MODEL	
44058105		NOT ON YOUR MODEL	
44354705		NOT ON YOUR MODEL	
44058107		NOT ON YOUR MODEL	
44354707		NOT ON YOUR MODEL	
44058106		NOT ON YOUR MODEL	
44354706		NOT ON YOUR MODEL	
44058108		NOT ON YOUR MODEL	
44354708		NOT ON YOUR MODEL	
44028907		NOT ON YOUR MODEL	
44292302LG		NOT ON YOUR MODEL	
44292302B		NOT ON YOUR MODEL	

Door Components

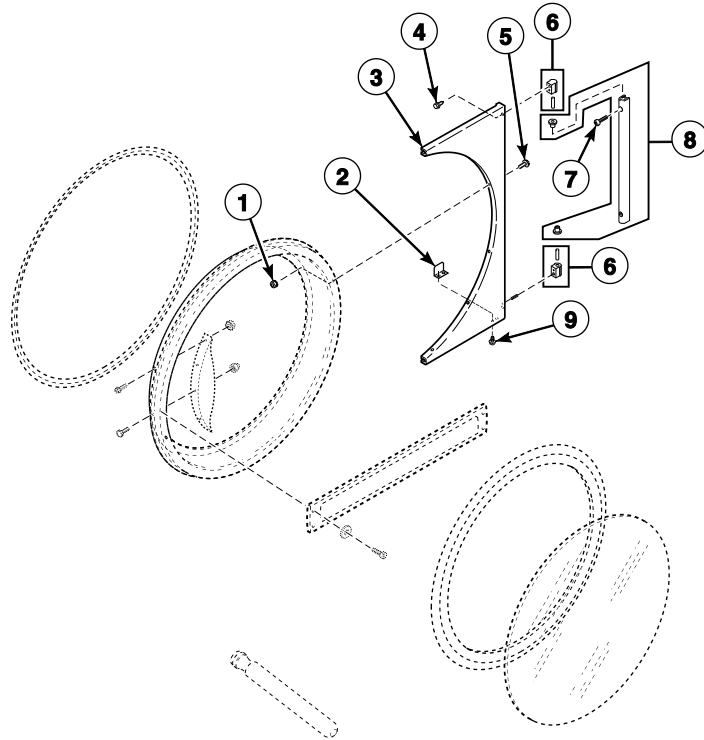


TMB3609P_70591901

Ref	Part	Description	Comments
	70650401	NOT ON YOUR MODEL	
1	70296802	NOT ON YOUR MODEL	
	44008201P	Door Ring Gasket	
2	44088001	Nut	4 required
3	70211902P	Door Seal Kit	Use Loctite 414 for seal
4	44008402P	NOT ON YOUR MODEL	
	44008403	NOT ON YOUR MODEL	

Ref	Part	Description	Comments
	44008405	NOT ON YOUR MODEL	
	44008404	NOT ON YOUR MODEL	
	44008401P	Door Glass	
5	M4221P4	Door Glass Installation Tool	
6	M414215	Nut	
7	70521102	NOT ON YOUR MODEL	
	44370601	NOT ON YOUR MODEL	
	44007901	Door Handle	
	44263801	NOT ON YOUR MODEL	
8	44326001	Door Ring Assembly	Stainless steel; Design 3
	44326005	Door Ring Assembly	Chrome; Design 3
	44326002	NOT ON YOUR MODEL	
	44326006	NOT ON YOUR MODEL	
	44326004B	NOT ON YOUR MODEL	
	44326007LG	NOT ON YOUR MODEL	
	44326007B	NOT ON YOUR MODEL	
9	M400661	Screw	Door strike
10	70442101	Screw	4 required

Hinge Components - Design 3 Models



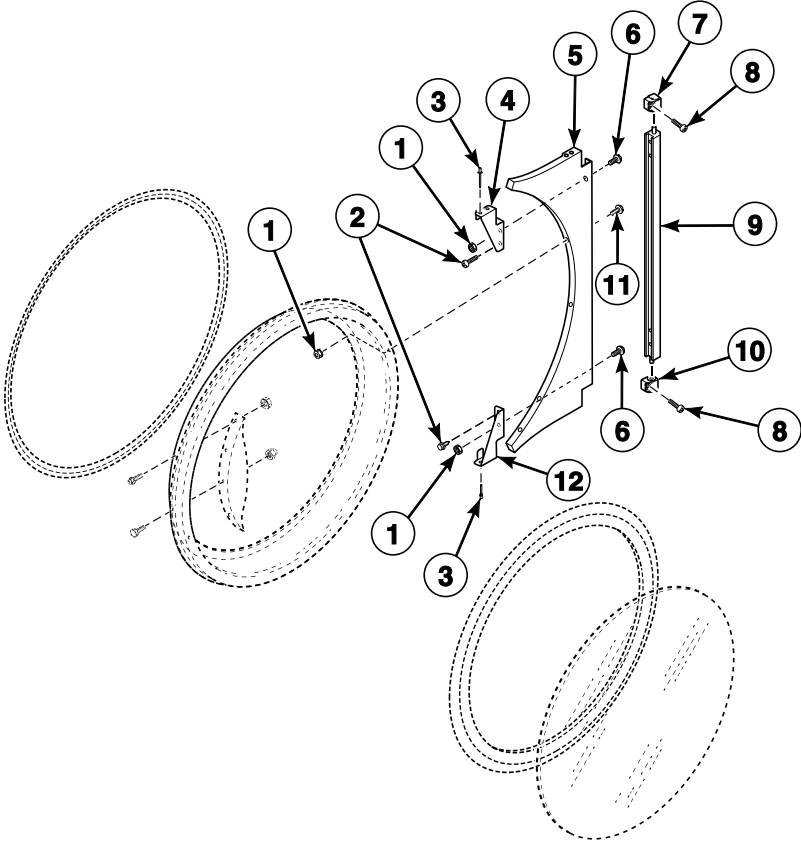
TMB3091PA_70591901

Ref	Part	Description	Comments
1	44088001	Nut	6 required
2	70215001P	Door Switch Actuator Kit	
3	44075208B	NOT ON YOUR MODEL	
	44075203*	Door Hinge Assembly	
	44075211	Door Hinge Assembly	Stainless steel
	44075208LG	NOT ON YOUR MODEL	
4	70442101	Screw	3 required
5	M400044	Screw	6 required
6	M4773P3	NOT ON YOUR MODEL	
	M4772P3	Cam and Hinge Kit	
7	70409801	NOT ON YOUR MODEL	

Ref	Part	Description	Comments
	70033502	Screw	2 required
8	44035002	NOT ON YOUR MODEL	
	44035001	Door Hinge Lug Assembly	
9	70058501	Pop Rivet	2 required

Hinge Components - Design 5 Models

H, S and U Models

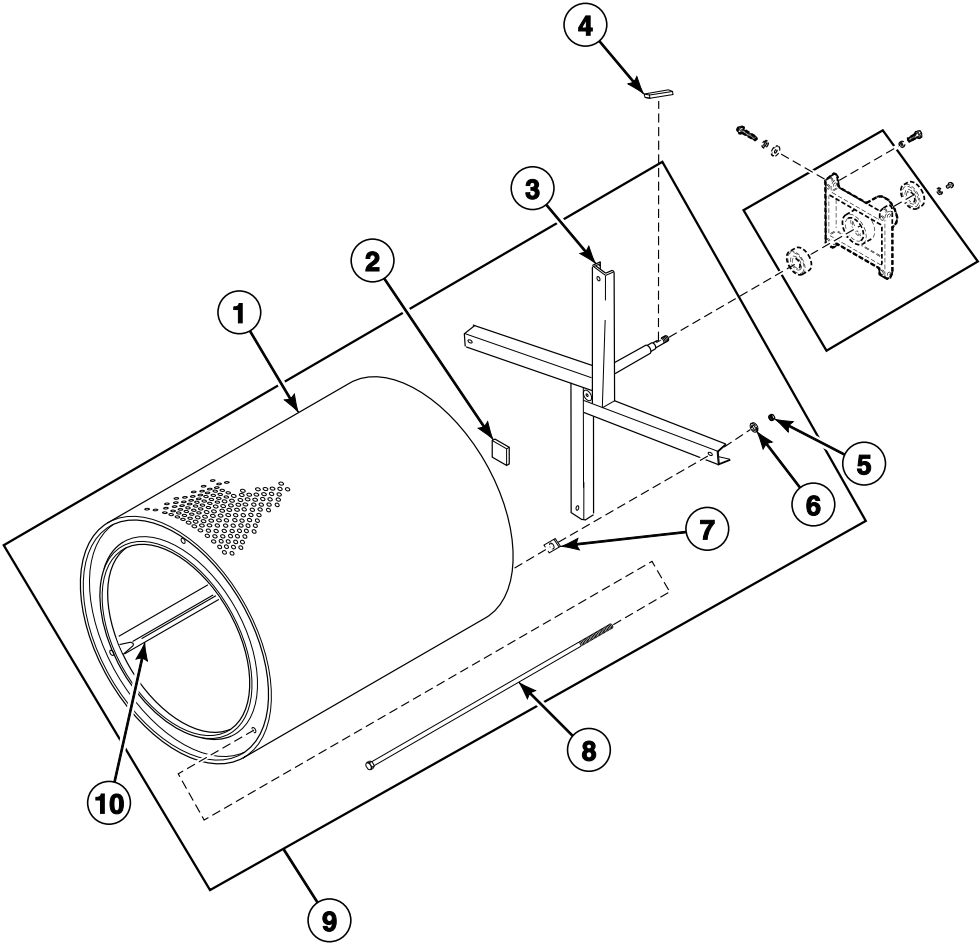


TMB3805P_70591901

Ref	Part	Description	Comments
1	44088001	Nut	
2	802822	Screw	
3	70058501	Pop Rivet	
4	70632001	Upper Hinge Gusset	
5	44366606W	Door Hinge Assembly	White
	44366604	Door Hinge Assembly	Stainless steel

Ref	Part	Description	Comments
	44366602LG	NOT ON YOUR MODEL	
	44366608	Door Hinge Assembly	Chrome
6	70640201	Screw	
7	70639301	Upper Lug Assembly	Use with 2 of item 8
8	70640301	Screw	
9	70640401	Center Hinge Lug Assembly	
10	70639302	Lower Lug Assembly	Use with 2 of item 8
11	44349101	Screw	
12	70632002	Lower Hinge Gusset	

Cylinder and Trunnion Components

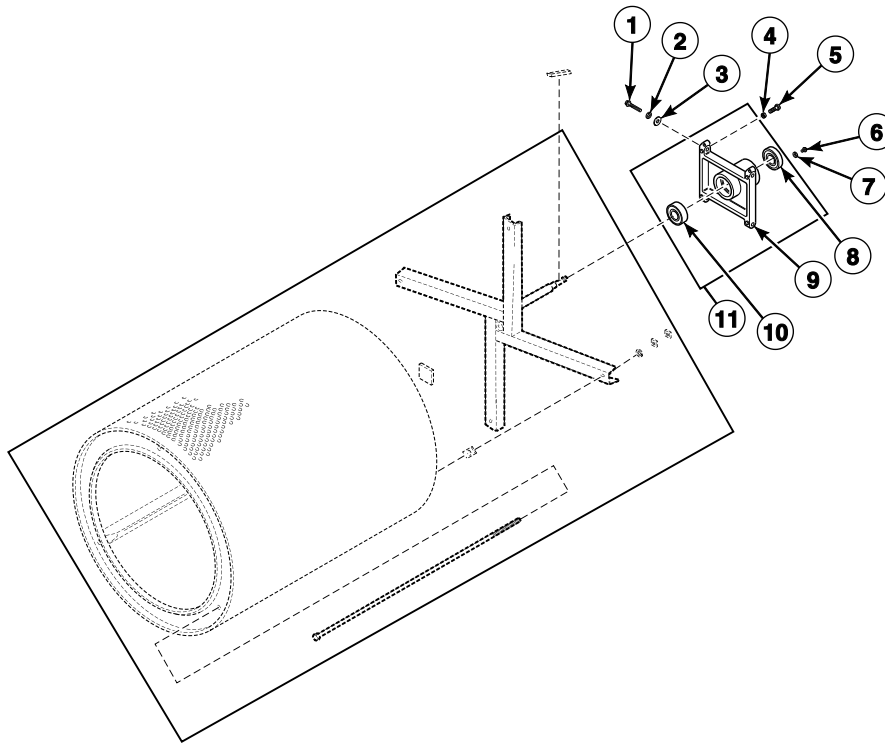


TMB3796P_70591901

Ref	Part	Description	Comments
1	44057201P	Cylinder Kit	Galvanized; Non-moisture sensing
	44057301P	Cylinder Kit	Stainless steel; Non-moisture sensing
	44198301P	Cylinder Assembly	Galvanized; Moisture sensing
	44198302	Cylinder Assembly	Stainless steel; Moisture sensing
2	M402144	Felt Pad	
3	44208001	Trunnion Assembly	Spider; Non-moisture sensing
	44207901	Trunnion Assembly	Moisture sensing

Ref	Part	Description	Comments
4	M400008	Key	Half moon
5	M404993	Nut	
6	M400015	Washer	4 required
7	M401402	Spacer	Adjustment between cylinder and trunnion
8	M404992	Rib Rod	
9	44195701P	Cylinder and Trunnion Assembly	Galvanized; Non-moisture sensing
	44195702P	Cylinder and Trunnion Assembly	Stainless steel; Non-moisture sensing
	44195705P	Cylinder and Trunnion Assembly	Galvanized; Moisture sensing
	44195706	Cylinder and Trunnion Assembly	Stainless steel; Moisture sensing
10	44191202	Cylinder Rib Assembly	Moisture sensing

Bearing Components

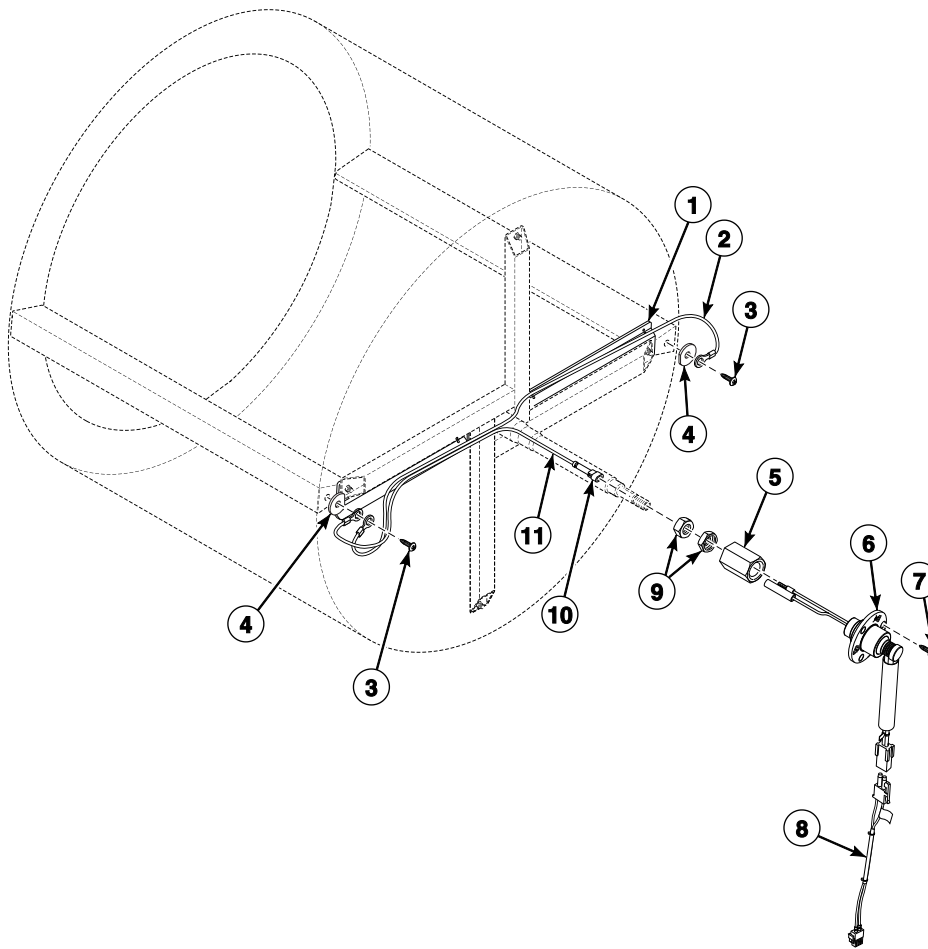


TMB2123PA_70591901

Ref	Part	Description	Comments
	M4640P3	Trunnion and Bearing Assembly	Non-moisture sensing
	44336301	Trunnion and Bearing Assembly	Moisture sensing
	M4644P3	Housing and Trunnion Assembly	Includes bearing; Non-moisture sensing
	44336302	Housing and Trunnion Assembly	Moisture sensing
1	M400063	Screw	4 required
2	M400015	Washer	4 required
3	70261401	Washer	4 required
4	M400026	Nut	4 required
5	M400650	Bolt	2 required
6	70187201	Screw	4 required
7	20103	Washer	4 required

Ref	Part	Description	Comments
8	F100136P	Bearing	
9	M413832	Trunnion Housing Assembly	
10	44041901P	Ball Bearing	
11	M413832	Trunnion Housing Assembly	Includes bearing

Moisture Sensing Components

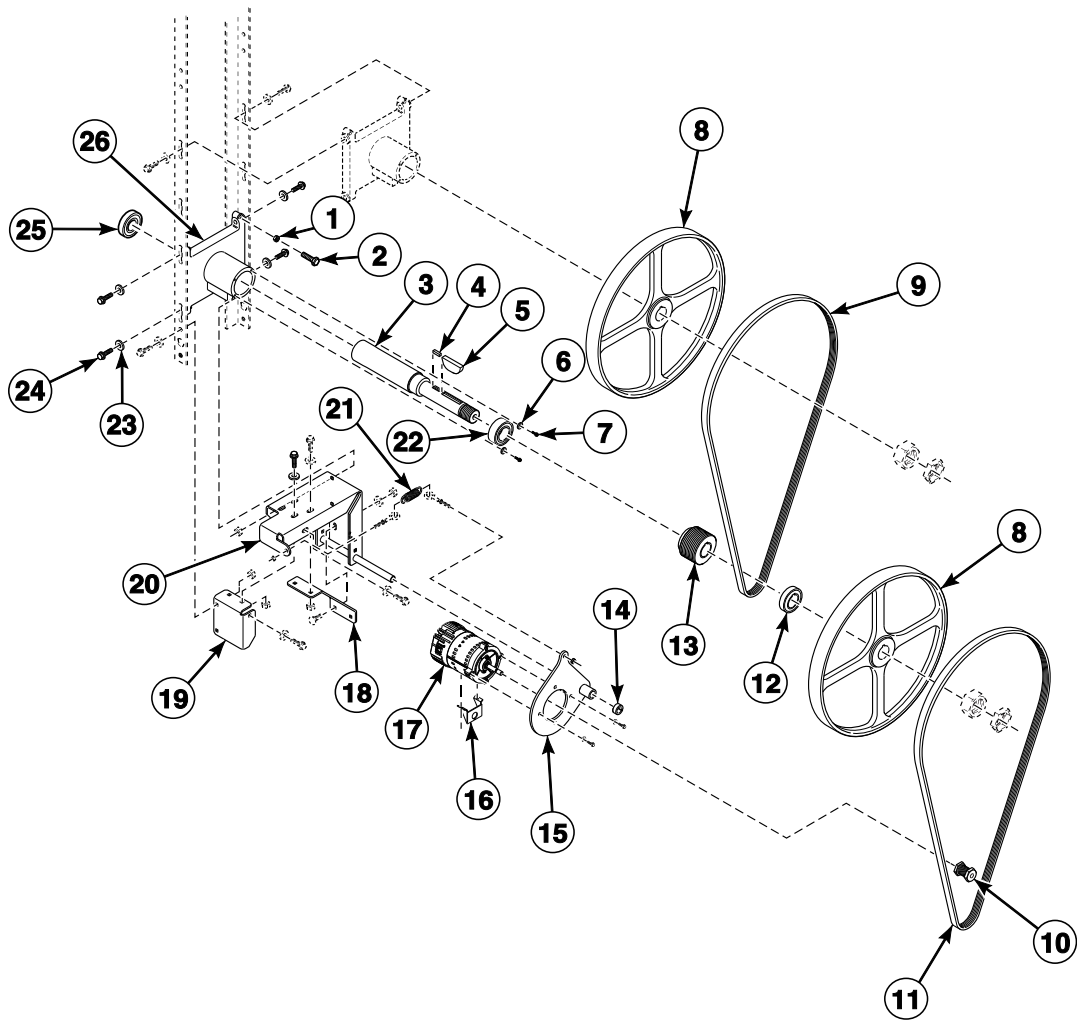


TMB3544P_70591901

Ref	Part	Description	Comments
	44344702	Moisture Sensing Harness Kit	
	55881	Harness Strap	Use with item 1
1	44239101	Wireway Channel	
2	44208601	Rib Wire	
3	44338901	Screw	
4	44238902	Washer	
5	44224401	Slip Ring Holder	
6	44222702	Slip Ring Assembly	
7	70442101	Screw	
8	44333902	Moisture Sensor Harness	Goes from item 6 to main harness
9	M400035	Nut	
10	44370401	1 Circuit Plug Housing	

Ref	Part	Description	Comments
11	44208702	Shaft Wire	

Drive Motor Components

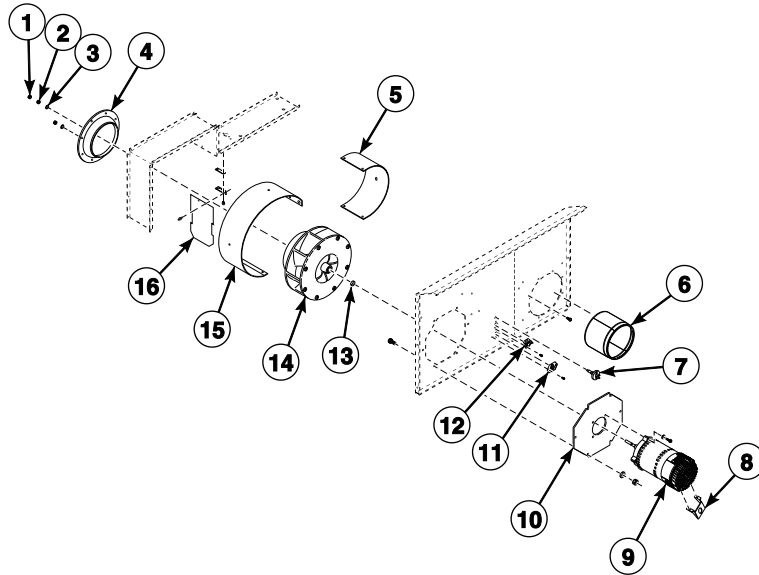


TMB3827P_70591901

Ref	Part	Description	Comments
	44333202	Nut	Use with motor pulley
	44335304	Inverter Motor Harness	Cylinder
	M413832	Trunnion Housing Assembly	Includes items 6, 7, 22, 25 and 26
1	M400026	Nut	
2	M400650	Bolt	
3	44303102	Idler Shaft	
4	44309301	Key	

Ref	Part	Description	Comments
5	M400008	Key	
6	20103	Washer	
7	70187201	Screw	
8	44289502	Pulley	
9	44333301	V-Belt	Upper
10	44267601	NOT ON YOUR MODEL	
	70559102	Motor Pulley	
11	44309402	V-Belt	Lower
12	44306801	Idler Spacer	
13	44270201	Micro V Pulley	
14	70467001	Shaft Collar	
15	44311501	Motor Pivot Plate Weldment	
16	44317901	Motor Conduit Bracket	
17	44259701P	NOT ON YOUR MODEL	
	44259801P	NOT ON YOUR MODEL	
	44259501P	Drive Motor	.50 HP; 120, 230 Volt/1 Phase
	44259601P	Drive Motor	.50 HP; 380-460 Volt/3 Phase
18	44325701	Motor Pivot Gusset Bracket	
19	44325801	Motor Pivot Support Bracket	
20	44327001	Motor Pivot Bracket Weldment	
21	F8440701	Extension Spring	
22	M413923P	Bearing	
23	70261401	Washer	4 required
24	805213	Screw	4 required
25	44041901P	Ball Bearing	
26	M413826	Trunnion Housing	

Blower and Exhaust Components

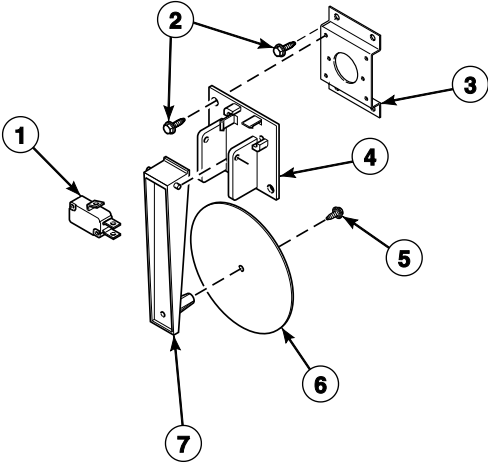


TMB3730P_70591901

Ref	Part	Description	Comments
	44335305	Inverter Motor Harness	Fan
1	M400034	Nut	
2	M400022	Nut	
3	F431131	Washer	
4	44305201	NOT ON YOUR MODEL	
	70303101	Blower Inlet Cone	
5	44308402	NOT ON YOUR MODEL	
	44308401	Air Exhaust Deflector	
6	44305002	NOT ON YOUR MODEL	
	44327901	Exhaust Pipe Assembly	
7	M414704	Thermistor	

Ref	Part	Description	Comments
8	44317901	Motor Conduit Bracket	
9	44259301P	NOT ON YOUR MODEL	
	44259401P	NOT ON YOUR MODEL	
	70478701P	Fan Motor	.50 HP; 120, 230 Volt/1 Phase
	70484901P	Fan Motor	.50 HP; 380-460 Volt/3 Phase
10	44311301	NOT ON YOUR MODEL	
	70380801	Blower Motor Mounting Plate	
11	70530905	Limit Thermostat	
12	44328003	Limit Thermostat	
13	70599301	Fan Spacer	
14	44267201	NOT ON YOUR MODEL	
	70302201P	Blower Assembly	
15	44303901	NOT ON YOUR MODEL	
	44303801	Blower Housing Scroll	
16	44280302	NOT ON YOUR MODEL	
	44280301	Damper Assembly	

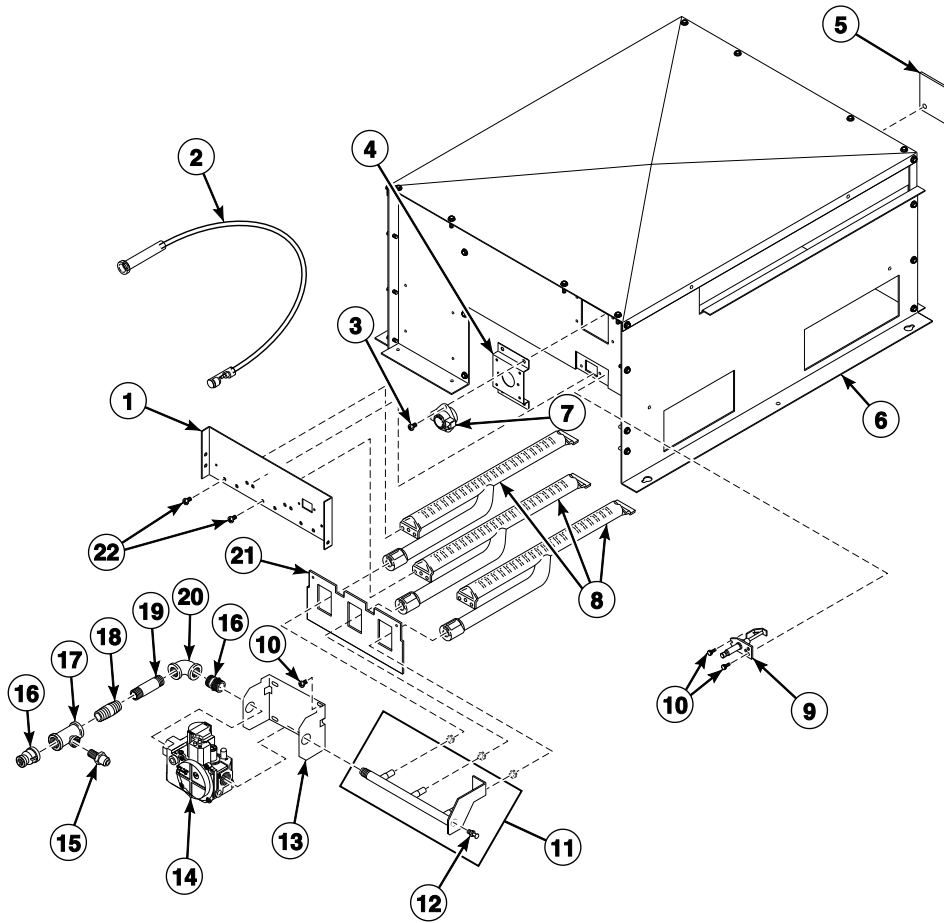
Airflow Switch Assembly



TMB3636P_70591901

Ref	Part	Description	Comments
	70429602	Airflow Switch Assembly	Includes items 1 and 4-7
1	70411901	Switch	
2	430497	Screw	6 required
3	70356301	Switch Bracket	
4	70319602	Airflow Switch and Arm Bracket	
5	430757	Screw	
6	70319202	Airflow Switch Vane	
7	70319401	Airflow Switch Arm	

Gas Heater Components

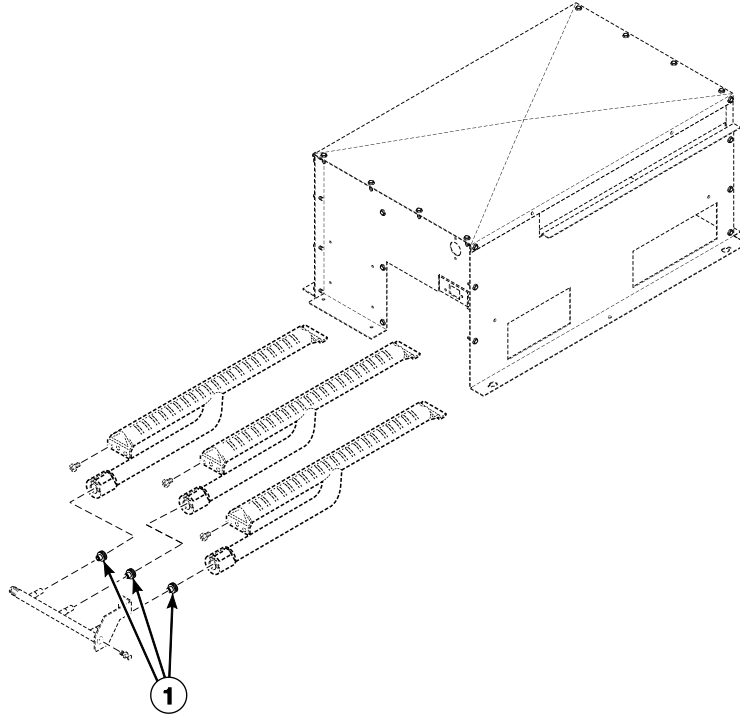


TMB3599P_70591901

Ref	Part	Description	Comments
70539501		NOT ON YOUR MODEL	
70544901		NOT ON YOUR MODEL	
D503887		NOT ON YOUR MODEL	
44178801		NOT ON YOUR MODEL	
44328802		L.P. Conversion Kit	0-2000 feet
44330302		NOT ON YOUR MODEL	
44328803		NOT ON YOUR MODEL	
70346802		NOT ON YOUR MODEL	
70564304		Stove Limit Harness	
44273502		NOT ON YOUR MODEL	
44273501		Gas Valve Harness	Single
44355101P		Direct Air Kit	

Ref	Part	Description	Comments
	70500401	Heat Exchanger	
1	44110301	Burner Support	
2	44239705	High Voltage Suppression Cable	
3	M402797	Screw	2 required
4	70356301	Switch Bracket	
5	70159601	Igniter Cover	
6	44135605	Gas Stove Assembly	Includes item 8
7	44328008	Limit Thermostat	
8	M410541P	Burner Assembly	3 required
9	44328701P	Spark Electrode	
10	51782	Screw	2 required
11	44263102	Spud Holder Weldment	
12	70167601	Plug	
13	44175703	Gas Valve Bracket	
14	44154501P	Gas Valve	N.G.
	44154502P	NOT ON YOUR MODEL	
	44298501	NOT ON YOUR MODEL	
	44298504	NOT ON YOUR MODEL	
	44178301P	NOT ON YOUR MODEL	
	44178302P	NOT ON YOUR MODEL	
	44154505	NOT ON YOUR MODEL	
	44154506	NOT ON YOUR MODEL	
15	44231601	NOT ON YOUR MODEL	
16	M413453	NOT ON YOUR MODEL	
	70612603	NOT ON YOUR MODEL	
17	44231902	NOT ON YOUR MODEL	
18	431486	Pipe Nipple	
	F421921	NOT ON YOUR MODEL	
19	70612602	NOT ON YOUR MODEL	
	70210201	Pipe Nipple	
	70612601	NOT ON YOUR MODEL	
20	70079601	Elbow	
	70612501	NOT ON YOUR MODEL	
21	44135201	Rear Access Plate	
22	70240301	Screw	6 required

Burner Orifices

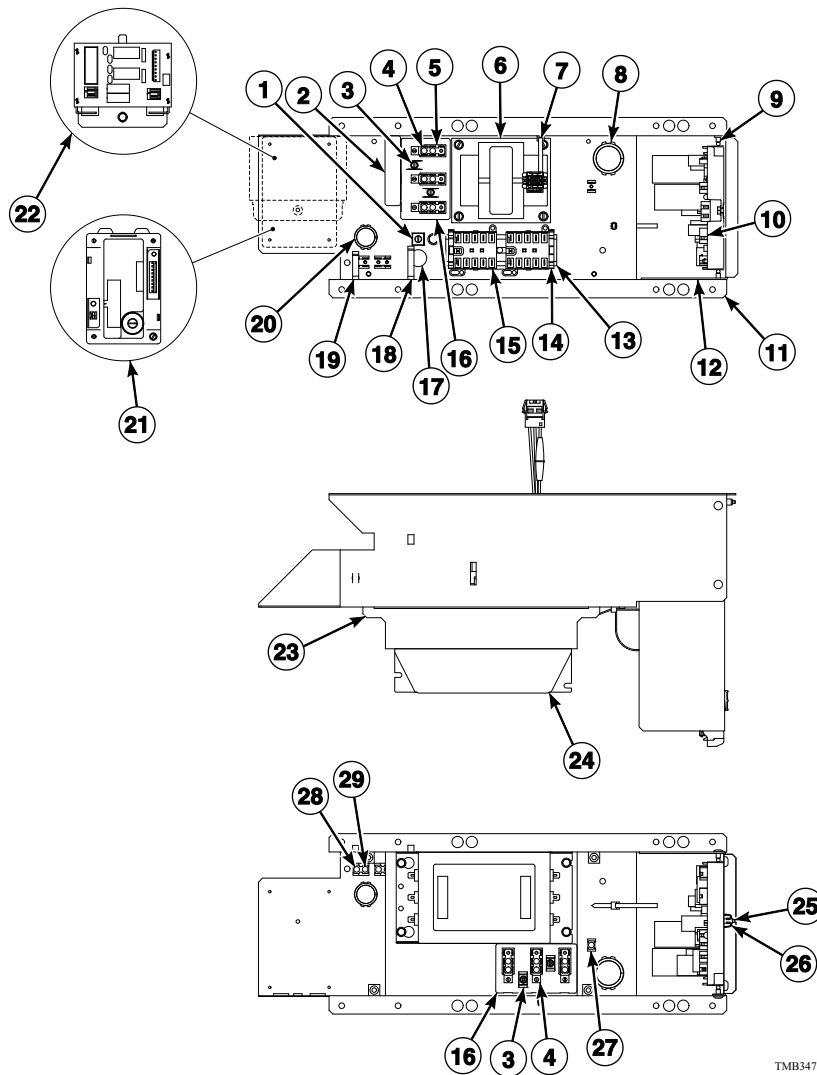


TMB3600P_70591901

Ref	Part	Description	Comments
	44357503	High Altitude Orifice Kit	
	44357504	NOT ON YOUR MODEL	
	44357505	NOT ON YOUR MODEL	
	44357506	NOT ON YOUR MODEL	
1	M401014	Burner Orifice	Classic 75 pound models; N.G.; Drill no. 28 (3.57 mm); 0-2,000 feet
	44254001	Burner Orifice	Classic 75 pound models; N.G.; 3.40 mm; 2,001-4,000 feet
	44253801	Burner Orifice	Classic 75 pound models; N.G.; 3.30 mm; 4,001-6,000 feet
	M402489	Burner Orifice	Classic 75 pound models; N.G.; Drill no. 1/8 (3.18 mm); 6,001-8,000 feet
	M401017	Burner Orifice	Classic 75 pound models; N.G.; Drill no. 31 (3.05 mm); 8,001-10,000 feet
	M401011	NOT ON YOUR MODEL	
	M401027	NOT ON YOUR MODEL	

Ref	Part	Description	Comments
M400999		NOT ON YOUR MODEL	
M401001		NOT ON YOUR MODEL	
M401018		NOT ON YOUR MODEL	
M401016		NOT ON YOUR MODEL	
M401019		NOT ON YOUR MODEL	
M401025		NOT ON YOUR MODEL	
70070908		NOT ON YOUR MODEL	
70070907		NOT ON YOUR MODEL	
M401003		NOT ON YOUR MODEL	
M402980		NOT ON YOUR MODEL	
M400998		NOT ON YOUR MODEL	
M401014		NOT ON YOUR MODEL	
M400997		NOT ON YOUR MODEL	
44253801		NOT ON YOUR MODEL	
M401002		NOT ON YOUR MODEL	
M401020		NOT ON YOUR MODEL	
M402997		NOT ON YOUR MODEL	
M400998		NOT ON YOUR MODEL	
70476601		NOT ON YOUR MODEL	
M403017		NOT ON YOUR MODEL	
M406184		NOT ON YOUR MODEL	
M401011		NOT ON YOUR MODEL	
M401027		NOT ON YOUR MODEL	
M400999		NOT ON YOUR MODEL	

Control Tray



TMB3471P_70591901

Ref	Part	Description	Comments
	685837	Screw	Use with item 1
	44088001	Nut	Use with item 1
	70559303	Conversion Kit	X to B voltage
	44357401	EMI Filter Kit	100-240 Volt
	44357402	EMI Filter Kit	380-480 Volt
	44357403	NOT ON YOUR MODEL	
1	M411283	Ground Lug Connector	
2	44286803	Label	L1, L2, L3
	44286801	Label	L1, N
	44286802	Wire Label	L1 L2, L1 N
	44286804	Wire Label	L1 L2, L1 N, L1 L2 L3
3	51783	Screw	

Ref	Part	Description	Comments
4	430642	Terminal Block	
5	70333001	Terminal Block Shield	
6	F8491101	Transformer	380-480 Volt
7	70335601	Cable Tie	
8	70346501	Bushing	
9	70058501	Pop Rivet	
10	70479201P	I/O Control Assembly	
11	70492401	Control Tray	
12	70494901	Control Board Control Tray	
13	M412690	DIN Rail	
14	F8449801	End Stop	
15	70482601	Contactor	240 Volt or less: 1 required; 380 Volt or higher: 2 required
16	M413862	Insulator	
17	D516100	Label	
18	F8449501	Wire Clip	
19	F8449502	Wire Clip	
20	70178701	Snap Bushing	
21	70482002	NOT ON YOUR MODEL	
	70482001	Ignition Control	
22	70501801	NOT ON YOUR MODEL	
23	70533101	Filter Bracket	
24	F8591601	NOT ON YOUR MODEL	
	F8637501	NOT ON YOUR MODEL	
	F8591801	NOT ON YOUR MODEL	
25	F8206901	Screw	
26	70030501	Expansion Clip	
27	00621SG	Male Tab Terminal	
28	M400003	Pop Rivet	
29	00622SG	Terminal	

Harnesses

Table Only - No Drawing

Part	Description	Comments
44316007	Harness	1 Phase
44316008	Harness	3 Phase
44280007	Configuration Harness	120 Volt; Cylinder
44280006	Configuration Harness	120 Volt; Fan
44334308	NOT ON YOUR MODEL	
44334303	NOT ON YOUR MODEL	
44334304	NOT ON YOUR MODEL	
44356404	NOT ON YOUR MODEL	
44356408	NOT ON YOUR MODEL	
44356403	Control Tray Harness Assembly	
44334702	Inverter Contactor Coil Harness	Secondary
44281705	Jumper Harness	
44316001	Harness	1 Phase
44316002	Harness	3 Phase
44280010	Motor Contactor Power Harness	1 Phase; EMI
44280012	Motor Contactor Power Harness	3 Phase; EMI
44280001	Motor Contactor Power Harness	1 Phase
44280003	Motor Contactor Power Harness	3 Phase
44280101	Power Harness	
44272101	Power Harness	

Labels

Table Only - No Drawing

Part	Description	Comments
44324201	NOT ON YOUR MODEL	
44318601	Caution Label	Vent/install
F8614501	Danger Label	Shock; English/French
F8614301	Hot Surface Warning Label	English/French
F8609001	Hot Surface Warning Label	Icon
F8611601	Warning Label	
44318600	Label Kit	Vent/install
F8614500	Label Kit	Shock
F8611600	Warning Label Kit	
44321501	Notice Label	120/240 Volt
70539601	Notice Label	
70534201	Notice Label	
F8609501	Notice Label	
D516073	Notice Label	Read instructions; Icon
70538401	Pinch Warning Label	English/French
F8615701	Pinch Warning Label	Icon
70536401	NOT ON YOUR MODEL	
44324101	NOT ON YOUR MODEL	
44321601	Warning Label	Risk of fire; Icon
44324001	Warning Label	Shock/pinch