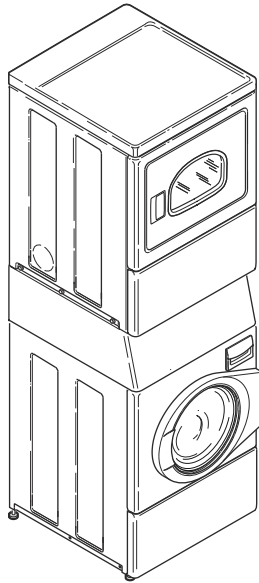


# Commercial Stack Washer/Dryers

Refer to Page 5 for Model Numbers



SWD456C\_807266



# Table of Contents

Title	Page
Parts Ordering Information.....	3
Serial Plate Location .....	3
Model Identification .....	5
Control Panel .....	6
Controls.....	8
Control Panel Overlay and Shields .....	10
Network Board Assembly.....	12
Control Panel and Cabinet Wrapper .....	14
Control Cabinet Front and Wrapper .....	16
Non-Electronic Coin Drop .....	18
Electronic Coin Drop .....	20
Card Reader Control Cabinet .....	22
Control Cabinet Front and Wrapper.....	24
Front Panel, Door Assembly and Door Seal .....	26
Front Panel Assembly .....	28
Dispenser Assembly .....	30
Mixing Valve and Valve-to-Dispenser Hose.....	32
Outer Tub, Front and Clamp Ring.....	34
Inner Basket, Trunnion, Bearing Housing and Pulley .....	36
Motor and Belt.....	38
Drain Hose and Valve .....	40
Drain Hose and Pump.....	42
Washer Base, Side Panels and Rear Panel .....	44
Washer Lead-In Cord, Wire Ties and Harness Clips .....	46
Dryer Door Without Window .....	48
Dryer Door With Window .....	50
Access Panel, Front Panel and Seal .....	52
Motor, Exhaust Fan and Belt .....	54
Front Bulkhead, Felt Seal and Cylinder .....	56
Air Duct Assembly.....	58
Rear Bulkhead, Felt Seal, Cylinder Roller and Terminal Block.....	60
Heater Duct and Element Assembly .....	62
Heater Duct Assembly .....	64
Gas Valve, Igniter and Gas Conversion Kits - Gas Model Dryers Through Serial No. 1908000001 .....	66
Gas Valve, Igniter and Gas Conversion Kits - Gas Model Dryers Starting Serial No. 1908000001 .....	68
Burner Orifice Spuds - For Higher Elevations.....	70
Dryer Cabinet, Exhaust Duct and Base .....	72
Dryer Lead-In Cord .....	74
Dryer Terminals and Terminal Extractor Tools .....	76
Terminals .....	78
Dryer Labels.....	80

© Copyright 2021, Alliance Laundry Systems LLC

All rights reserved. No part of the contents of this book may be reproduced or transmitted in any form or by any means without the expressed written consent of the publisher.

Washer Labels .....	82
Shipping Materials .....	84
Special Tools .....	86
Wire Harnesses and Wires (Drawing 1 of 2).....	88
Wire Harnesses and Wires (Drawing 2 of 2).....	90
Parts Index.....	93

## Parts Ordering Information

If literature or replacement parts are required, contact the source from whom the machine was purchased or contact Alliance Laundry Systems at (920) 748-3950 for the name and address of the nearest authorized parts distributor.

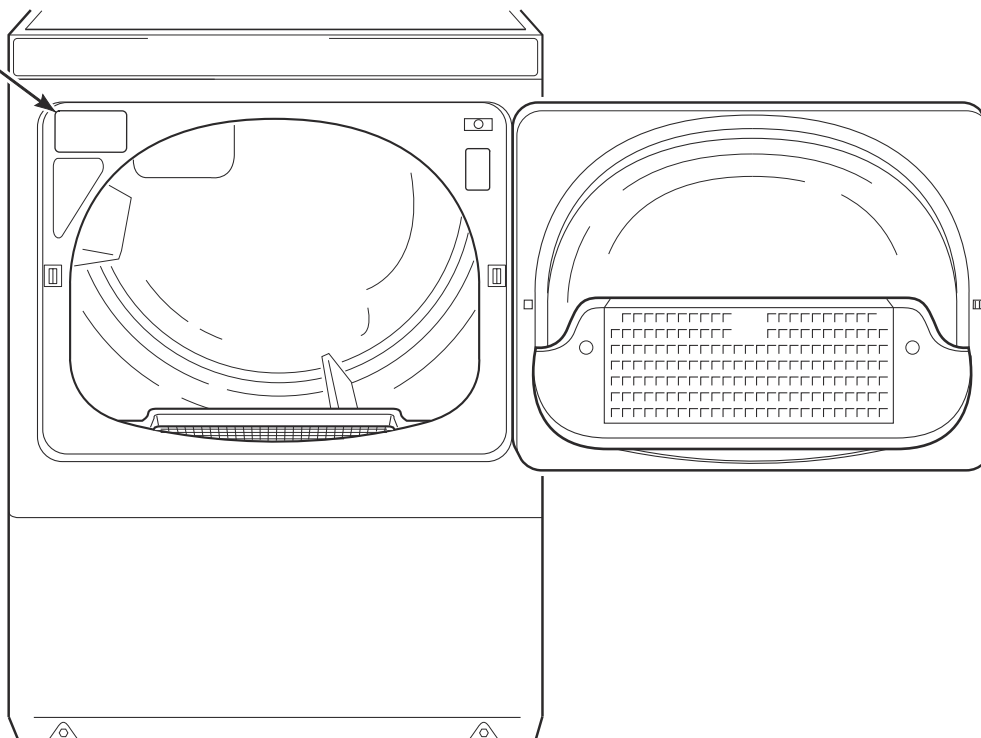
For technical assistance, call the number listed below:

(920) 748-3121 Ripon, Wisconsin

## Serial Plate Location

When calling or writing about your product, be sure to mention model and serial numbers. Model and serial numbers are located on serial plate(s) as shown.

SERIAL PLATE



DRY2283P\_807266

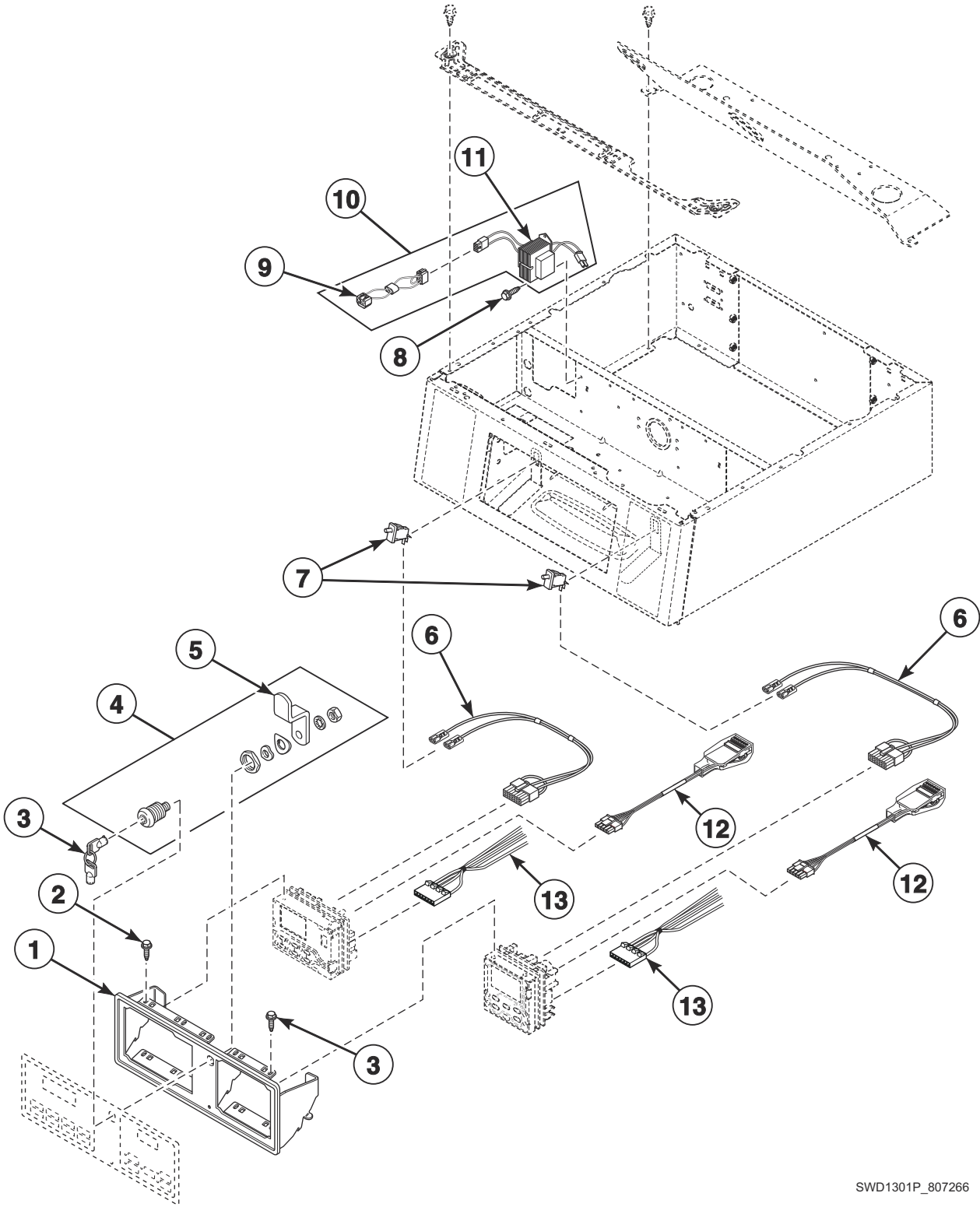


## Model Identification

Information in this manual is applicable to these stack washer/dryer models:

HTENXASP285CW01	STENCASP175TW01
HTENXASP295CW01	STENCFSP175TW01
HTENYASP285CW01	STENEASP285CW01
HTENYASP295CW01	STENEASP295CW01
HTGNXASP095CW01	STENXASP175TW01
PTEJCASP175TG01	STENXASP285CW01
PTEJCASP175TW01	STENXASP295CW01
PTEJEASP285CG01	STENXFSP175TW01
PTEJXASP175TG01	STENYASP175TN01
PTEJXASP285CG01	STENYASP175TW01
PTGJCASP115TG01	STENYASP285CW01
PTGJCASP115TW01	STENYASP295CW01
PTGJEASP095CG01	STENYFSP175TW01
PTGJXASP095CG01	STEWXASP175TW41
PTGJXASP115TG01	STEWCFSP175TW41
	STEWXASP175TW01
	STEWXASP285CW01
	STEWXASP295CW01
	STEWYASP175TW01
	STEWYASP175TW41
	STEWYFSP175TW41
	STGNCASP115TW01
	STGNCFSP115TW01
	STGNEASP095CW01
	STGNXASG115TW01
	STGNXASP095CW01
	STGNXASP115TW01
	STGNXFSP115TW01
	STGNYASP095CW01
	STGNYASP115TN01
	STGNYASP115TW01
	STGNYFSP115TW01
	STGWCASP115TW41
	STGWCFSP115TW41
	STGWXASP095CW01
	STGWXASP115TW01
	STGWYASP115TW01
	STGWYASP115TW41
	STGWYFSP115TW41

# Control Panel



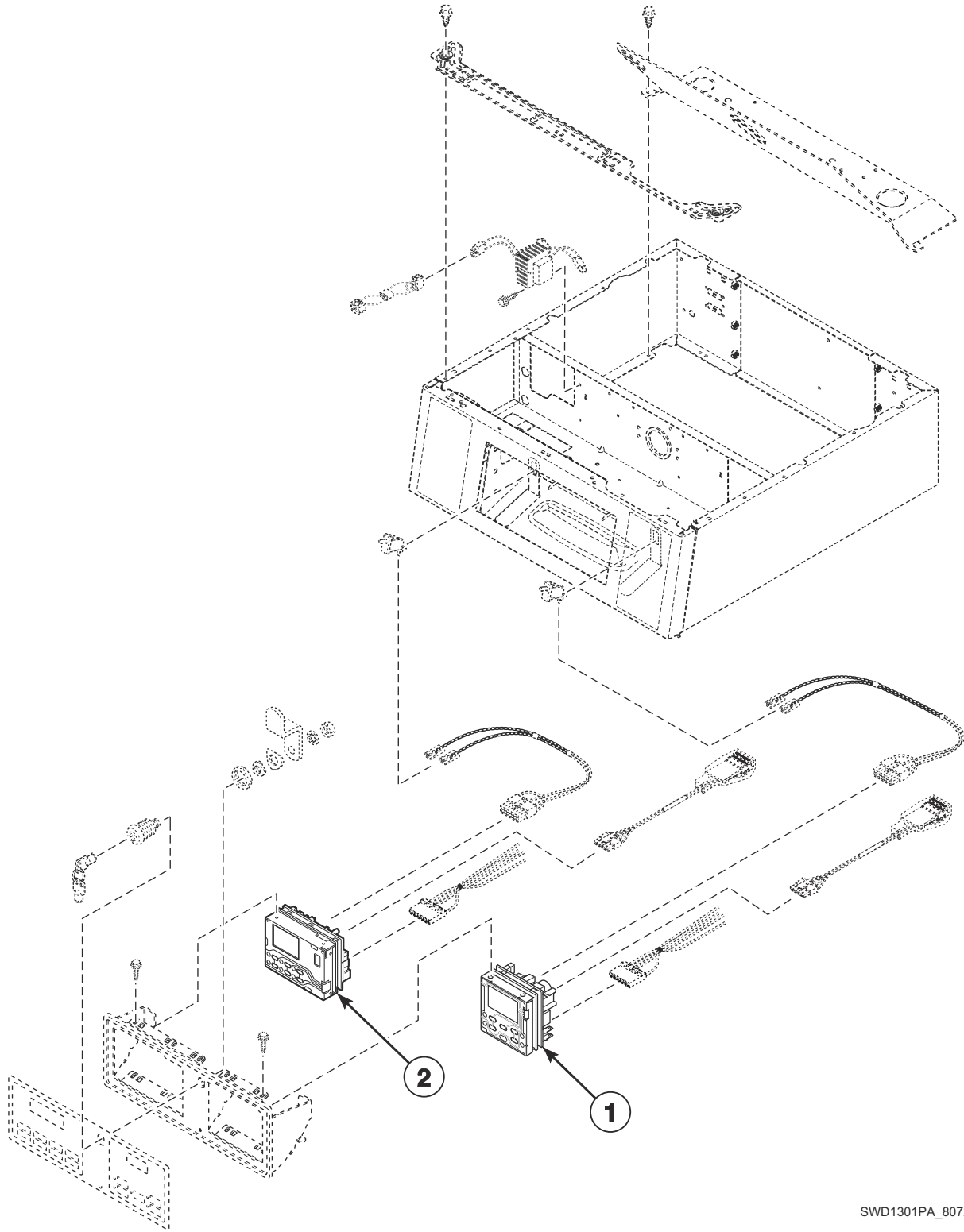
SWD1301P\_807266



# Control Panel

REF	PART NO.	DESCRIPTION	COMMENTS
	205069	Payment Center Kit	Includes printer; Models HTENXASP285CW01, HTENXASP295CW01, HTENYASP285CW01, HTENYASP295CW01 and HTGNXASP095CW01
	205070	Payment Center Kit	Models HTENXASP285CW01, HTENXASP295CW01, HTENYASP285CW01, HTENYASP295CW01 and HTGNXASP095CW01
	205067	Payment Center Kit	Includes printer; All models except HTENXASP285CW01, HTENXASP295CW01, HTENYASP285CW01, HTENYASP295CW01, HTGNXASP095CW01, PTEJCASP175TG01, PTEJCASP175TW01, PTEJEASP285CG01, PTEJXASP175TG01, PTEJXASP285CG01, PTGJCASP115TG01, PTGJCASP115TW01, PTGJEASP095CG01, PTGJXASP095CG01 and PTGJXASP115TG01
	205068	Payment Center Kit	All models except HTENXASP285CW01, HTENXASP295CW01, HTENYASP285CW01, HTENYASP295CW01, HTGNXASP095CW01, PTEJCASP175TG01, PTEJCASP175TW01, PTEJEASP285CG01, PTEJXASP175TG01, PTEJXASP285CG01, PTGJCASP115TG01, PTGJCASP115TW01, PTGJEASP095CG01, PTGJXASP095CG01 and PTGJXASP115TG01
<b>1</b>	800034W	Control Panel and Bracket Assembly	Models STENCFSP175TW01, STENXFSP175TW01, STENYFSP175TW01, STEWCFSP175TW41, STEWYFSP175TW41, STGNCFSP115TW01, STGNXFSP115TW01, STGNYFSP115TW01, STGWCFSP115TW41 and STGWYFSP115TW41
	804069DG	Control Panel Assembly	Dark gray; All other models
	804069W	Control Panel Assembly	White; All other models
	804069B	Control Panel Assembly	Black; All other models
<b>2</b>	D501524	Screw	Models STENCFSP175TW01, STENXFSP175TW01, STENYFSP175TW01, STEWCFSP175TW41, STEWYFSP175TW41, STGNCFSP115TW01, STGNXFSP115TW01, STGNYFSP115TW01, STGWCFSP115TW41 and STGWYFSP115TW41
	804608	Screw	All other models
<b>3</b>	54612	Key	GR800
<b>4</b>	804339P	Lock Assembly	
<b>5</b>	27261	Lock Cam	Models STENCFSP175TW01, STENXFSP175TW01, STENYFSP175TW01, STEWCFSP175TW41, STEWYFSP175TW41, STGNCFSP115TW01, STGNXFSP115TW01, STGNYFSP115TW01, STGWCFSP115TW41 and STGWYFSP115TW41
	804338	Lock Cam	All other models
<b>6</b>	202868	Wiring Harness Assembly	Diagnostic; Through Serial No. 1810000001
	202869	Wiring Harness Assembly	Diagnostic; Starting Serial No. 1810000001
<b>7</b>	D512973	Switch	
<b>8</b>	D503661	Screw	
<b>9</b>	804795	Transformer Harness	120V
<b>10</b>	203423	Transformer Kit	120V; Includes items 9 and 11
<b>11</b>	202757	Transformer	120V
<b>12</b>	203361P	Machine ID Control Assembly	Model or serial number is required when ordering
<b>13</b>	805427	Central Pay Harness	

# Controls

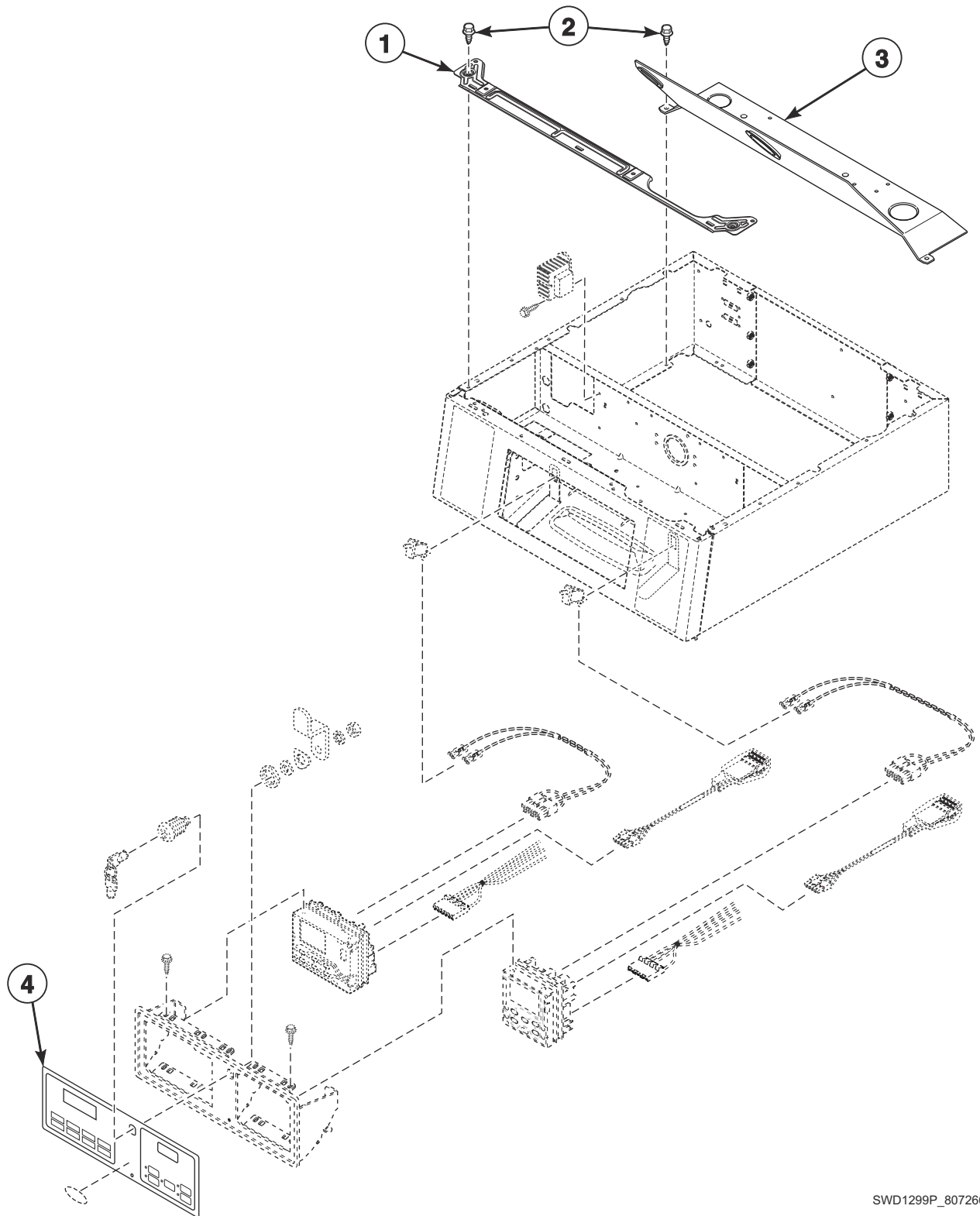


SWD1301PA\_807266

# Controls

REF	PART NO.	DESCRIPTION	COMMENTS
1	D515809P	Control Assembly	Dryer; Blue LEDs; Models PTEJCASP175TG01, PTEJCASP175TW01, PTEJEASP285CG01, PTEJXASP175TG01, PTEJXASP285CG01, PTGJCASP115TG01, PTGJCASP115TW01, PTGJEASP095CG01, PTGJXASP095CG01 and PTGJXASP115TG01
	D515807P	Control Assembly	Dryer; Green LEDs; All other models through Serial No. 1912999999
	D517522	Control Assembly	Dryer; Green LEDs; All other models starting Serial No. 2001000001
2	806269P	Control Assembly	Washer; Blue LEDs; Models PTEJCASP175TG01, PTEJCASP175TW01, PTEJEASP285CG01, PTEJXASP175TG01, PTEJXASP285CG01, PTGJCASP115TG01, PTGJCASP115TW01, PTGJEASP095CG01, PTGJXASP095CG01 and PTGJXASP115TG01 through Serial No. 2012999999
	807460	Control Assembly	Washer; Blue LEDs; Models PTEJCASP175TG01, PTEJCASP175TW01, PTEJEASP285CG01, PTEJXASP175TG01, PTEJXASP285CG01, PTGJCASP115TG01, PTGJCASP115TW01, PTGJEASP095CG01, PTGJXASP095CG01 and PTGJXASP115TG01 starting Serial No. 2101000001
	806267P	Control Assembly	Washer; Green LEDs; All other models through Serial No. 2012999999
	807458	Control Assembly	Washer; Green LEDs; All other models starting Serial No. 2101000001

# Control Panel Overlay and Shields



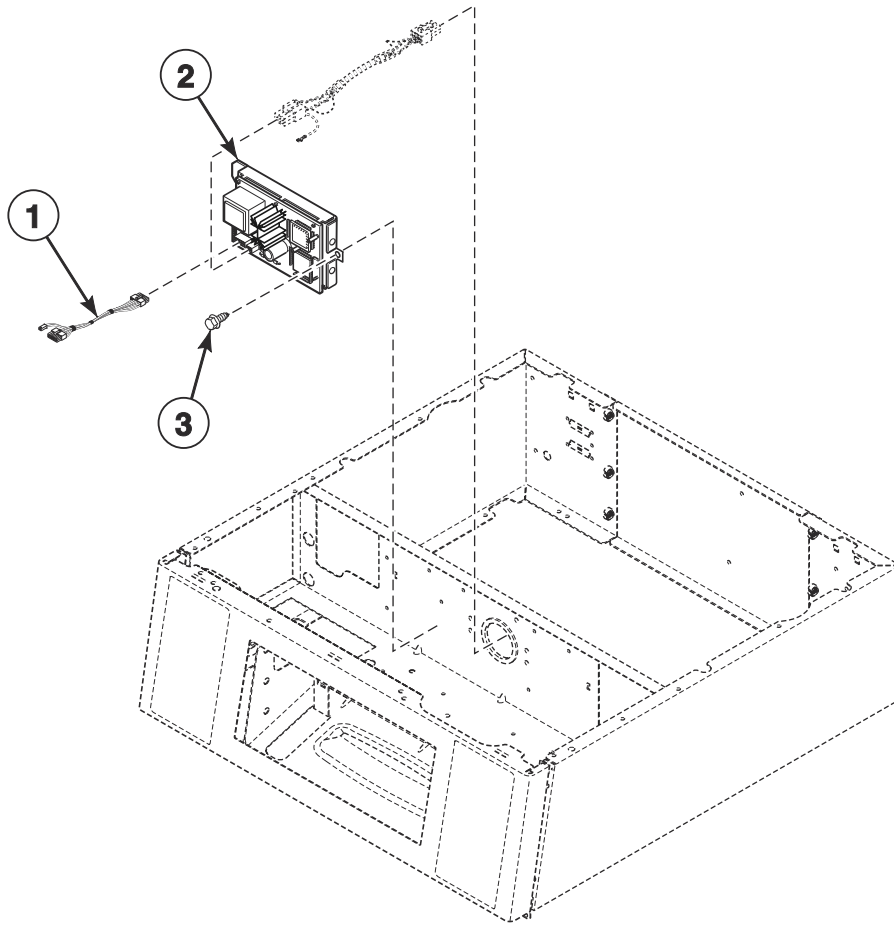
SWD1299P\_807266

## Control Panel Overlay and Shields

REF	PART NO.	DESCRIPTION	COMMENTS
1	804018	Shield Bracket	
2	D503688	Screw	
3	804363	Control Shield	
4	805380	Overlay	Models HTENXASP285CW01, HTENXASP295CW01, HTENYASP285CW01, HTENYASP295CW01 and HTGNXASP095CW01
	806174	Overlay	Models PTEJCASP175TG01, PTEJCASP175TW01, PTEJEASP285CG01, PTEJXASP175TG01, PTEJXASP285CG01, PTGJCASP115TG01, PTGJCASP115TW01, PTGJEASP095CG01, PTGJXASP095CG01 and PTGJXASP115TG01
	804852	Overlay	All other models

# Network Board Assembly

Models STEWCASP175TW41, STEWCFSP175TW41, STEWXASP175TW01, STEWXASP285CW01,  
STEWXASP295CW01, STEWYASP175TW01, STEWYASP175TW41, STEWYFSP175TW41,  
STGWCASP115TW41, STGWCASP115TW01, STGWCASP095CW01, STGWCASP115TW01,  
STGWYASP115TW01, STGWYASP115TW41 and STGWYFSP115TW41



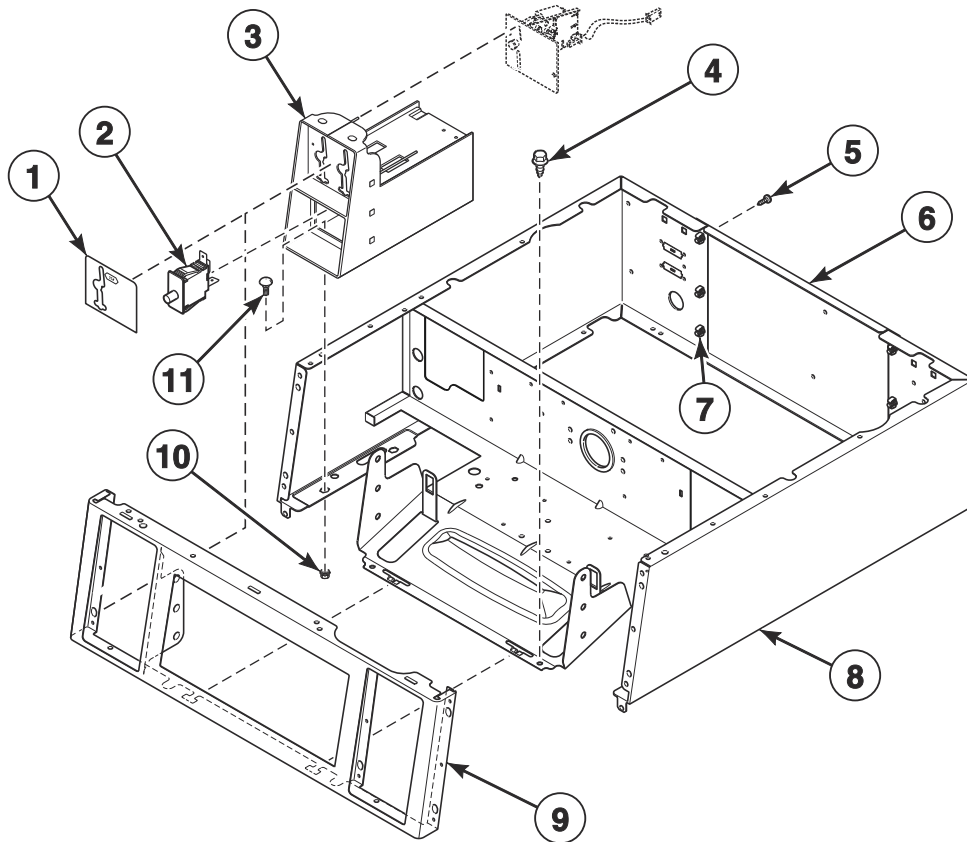
SWD1288P\_807266

# Network Board Assembly

REF	PART NO.	DESCRIPTION	COMMENTS
1	F8536002	Wireless Network Board Harness	Through Serial No. 1902000001
	F8674006	Wireless Network Harness	Starting Serial No. 1902000001
2	203532	Wireless Network Control Assembly	Through Serial No. 1902000001
	807211	Wireless Network Control Assembly	Starting Serial No. 1902000001
3	D503661	Screw	

# Control Panel and Cabinet Wrapper

10 Degree Front Coin Models



SWD1289P\_807266

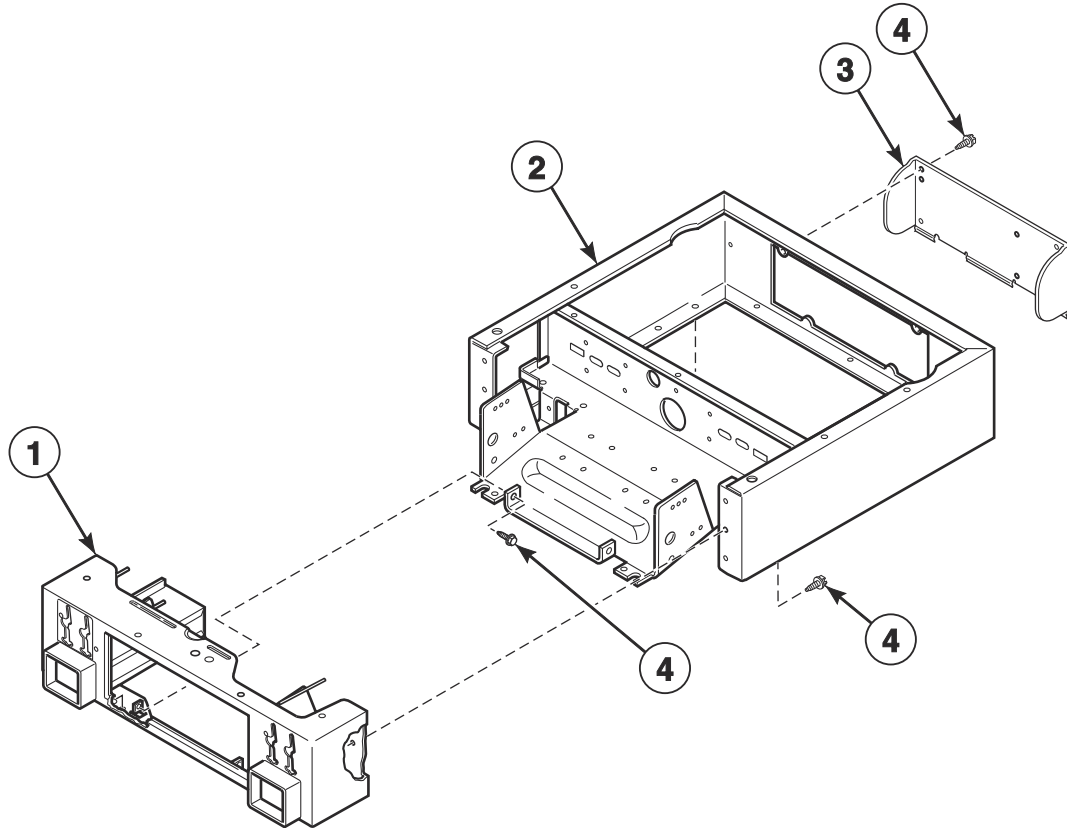


## Control Panel and Cabinet Wrapper

REF	PART NO.	DESCRIPTION	COMMENTS
	806195	Instruction Label	Models PTEJCASP175TG01, PTEJCASP175TW01, PTEJEASP285CG01, PTEJXASP175TG01, PTEJXASP285CG01, PTGJCASP115TG01, PTGJCASP115TW01, PTGJEASP095CG01, PTGJXASP095CG01 and PTGJXASP115TG01
	805665	Instruction Label	All other models
<b>1</b>	38717	Single Overlay	
	39073	Dual Overlay	
	38676	Overlay Kit	Dual drop; Includes coin identification paper
	201091	Overlay	For electronic coin drops
<b>2</b>	D512973	Switch	Through Serial No. 1810000001
	70529301	Switch	Starting Serial No. 1810000001
<b>3</b>	807254DG	Meter Case Assembly	Dark gray
	807396B	Meter Case Assembly	Black
	807396W	Meter Case Assembly	White
<b>4</b>	D503688	Screw	
<b>5</b>	70240301	Screw	
<b>6</b>	803998	Rear Access Panel	Through Serial No. 1912999999
	807646	Rear Access Panel	Starting Serial No. 2001000001
<b>7</b>	70030501	Expansion Clip	
<b>8</b>	804104DG	Wrapper Assembly	Dark gray
	804104W	Wrapper Assembly	White
	804104B	Wrapper Assembly	Black
<b>9</b>	803964DG	Control Panel	Dark gray
	803964B	Control Panel	Black
	803964W	Control Panel	White
<b>10</b>	44087201	Nut	
<b>11</b>	29651	Bolt	

# Control Cabinet Front and Wrapper

Flat Front Coin Models



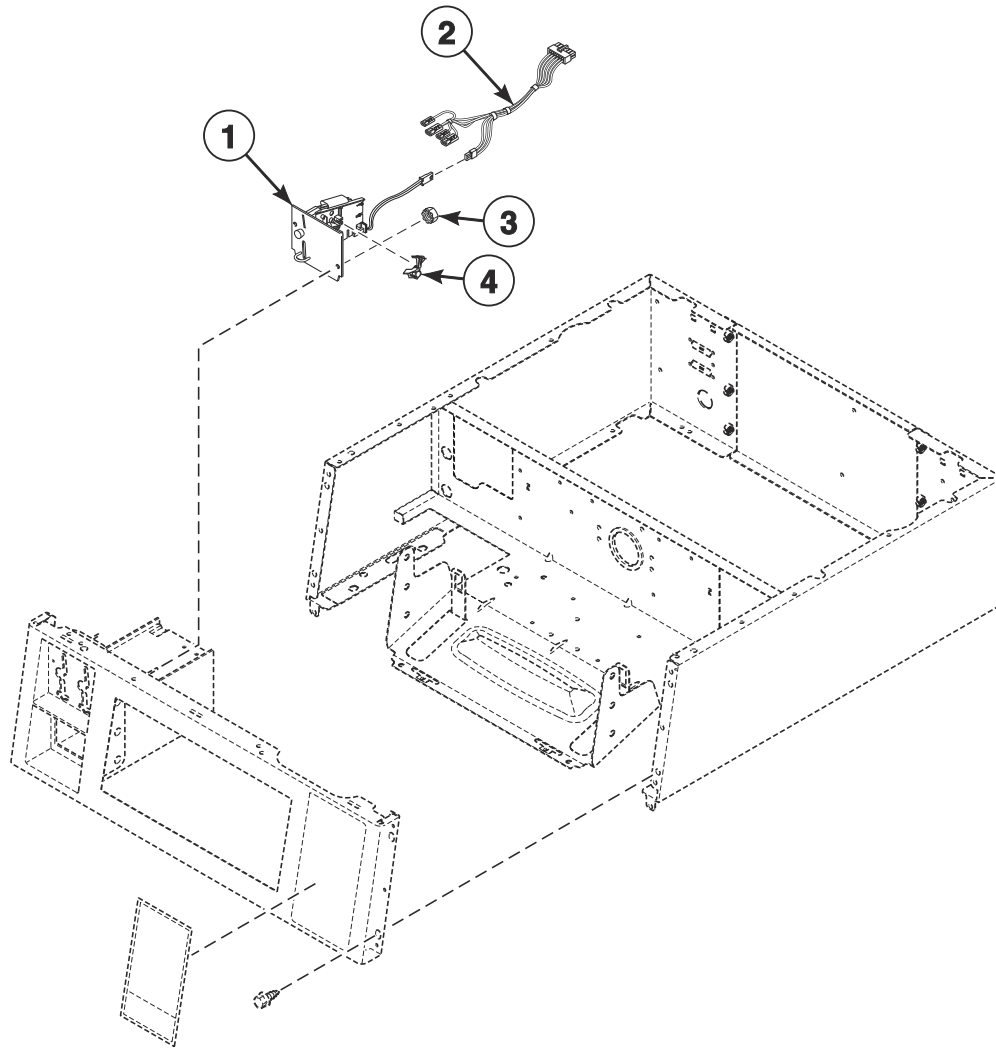
SWD1292P\_807266

# Control Cabinet Front and Wrapper

REF	PART NO.	DESCRIPTION	COMMENTS
1	D511632WP	Security Cabinet Front Assembly	
2	801235W	Security Cabinet Wrapper Assembly	
3	805834	Rear Service Panel	
4	D503688	Screw	

# Non-Electronic Coin Drop

Coin Models



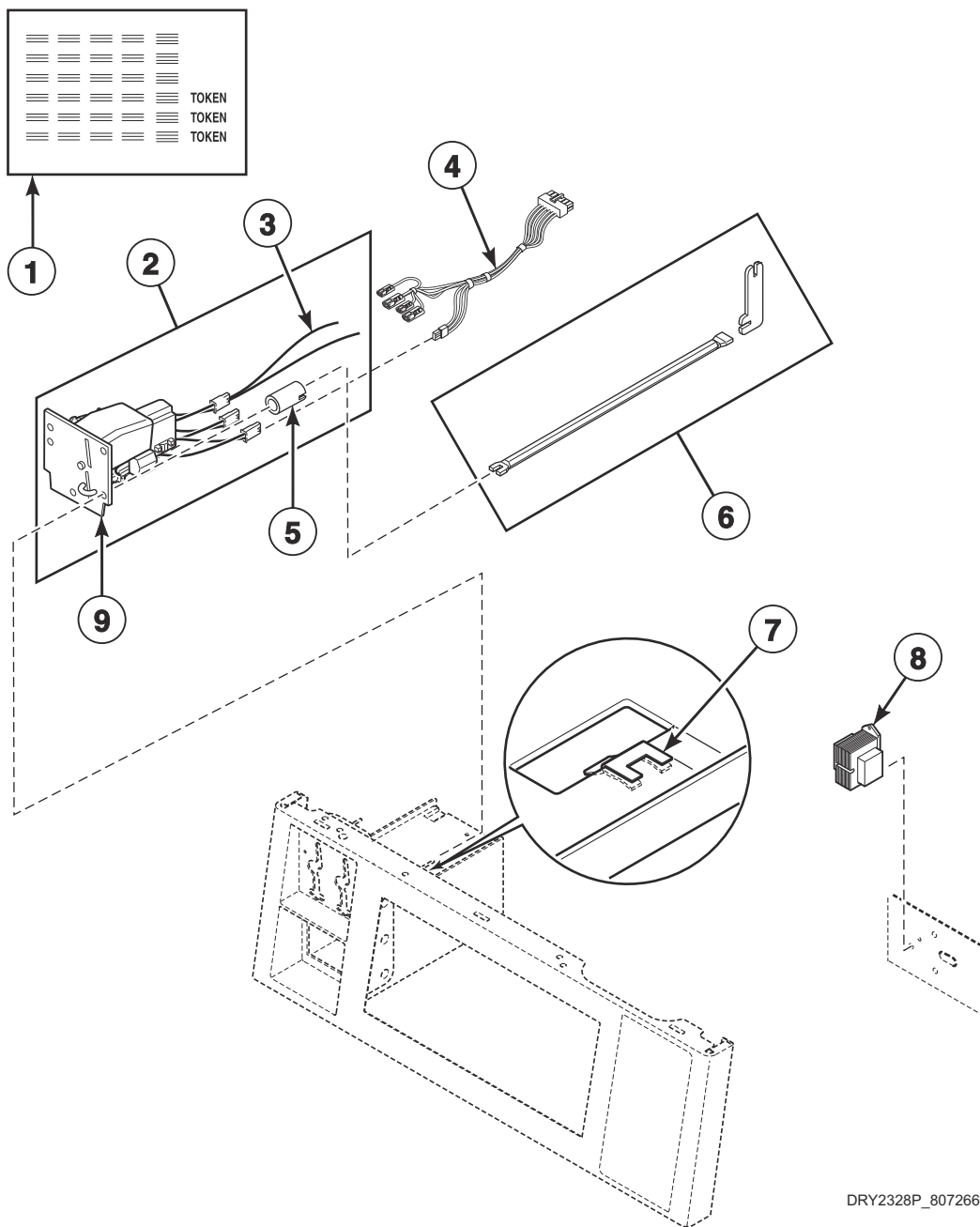
DRY2327P\_807266

## Non-Electronic Coin Drop

REF	PART NO.	DESCRIPTION	COMMENTS
1	38462P	Coin Drop Assembly	Token; 118-1 mzp; .880 diameter x .079 thick; Brass
	38463	Coin Drop Assembly	Token; 118-5 mzp; .990 diameter x .081 thick; Silver
	70441601P	Coin Drop	U.S.; \$0.25
	70441603	Coin Drop	U.S.; \$0.25 and \$1.00
	38963P	Coin Drop	Token; 118-16
	70441602	Coin Drop Assembly	Canada; .25 and 1.00
	38464P	Coin Drop Assembly	Canada; .25
2	202870	Single Coin Harness Assembly	Single drop
	202871	Dual Coin Harness Assembly	Dual drop
3	29786	Nut	
4	201595P	Wire Guard	Anti-stringing security device; Add to coin drops

# Electronic Coin Drop

Coin Models



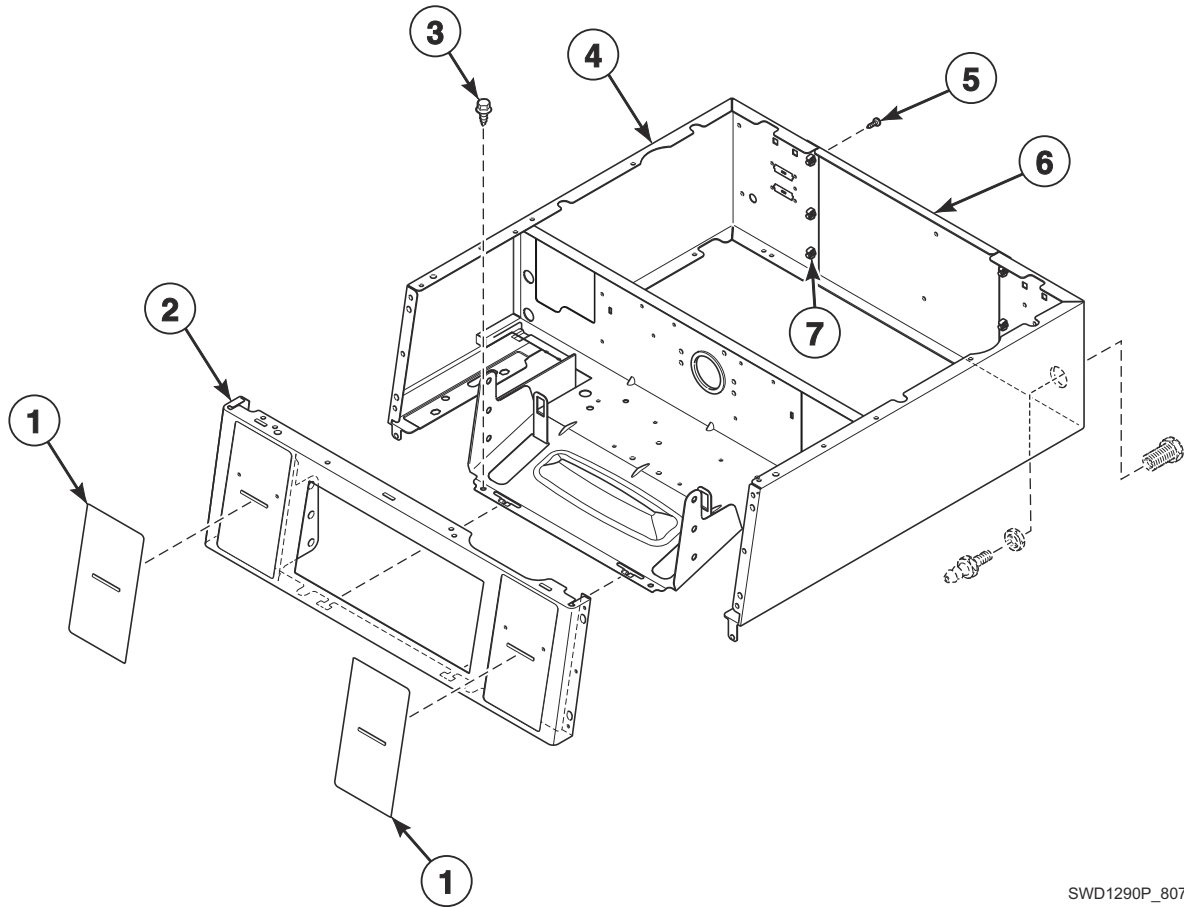
DRY2328P\_807266

# Electronic Coin Drop

REF	PART NO.	DESCRIPTION	COMMENTS
	201091	Overlay	
1	38725	Coin Identification Paper	
2	CK115	Electronic Coin Drop Kit	Includes items 1, 3, 5, 7, 9; United States and Canada coins
	CK110	Electronic Coin Drop Kit	Includes items 1, 3, 5, 7, 9; Mexico, Ecuador and United States coins
3	201104	Coin Drop Wire Harness	
4	202871	Dual Coin Harness Assembly	
5	201216	Nut	
6	CK096	Mounting Tool Kit	
7	201572	Clip	
8	201375P	Transformer	
9	70294106	Electronic Coin Drop Assembly	Mexico, Ecuador and United States coins
	70294122	Electronic Coin Drop Assembly	Great Britain and token coins

# Card Reader Control Cabinet

10 Degree Front Card Models



SWD1290P\_807266

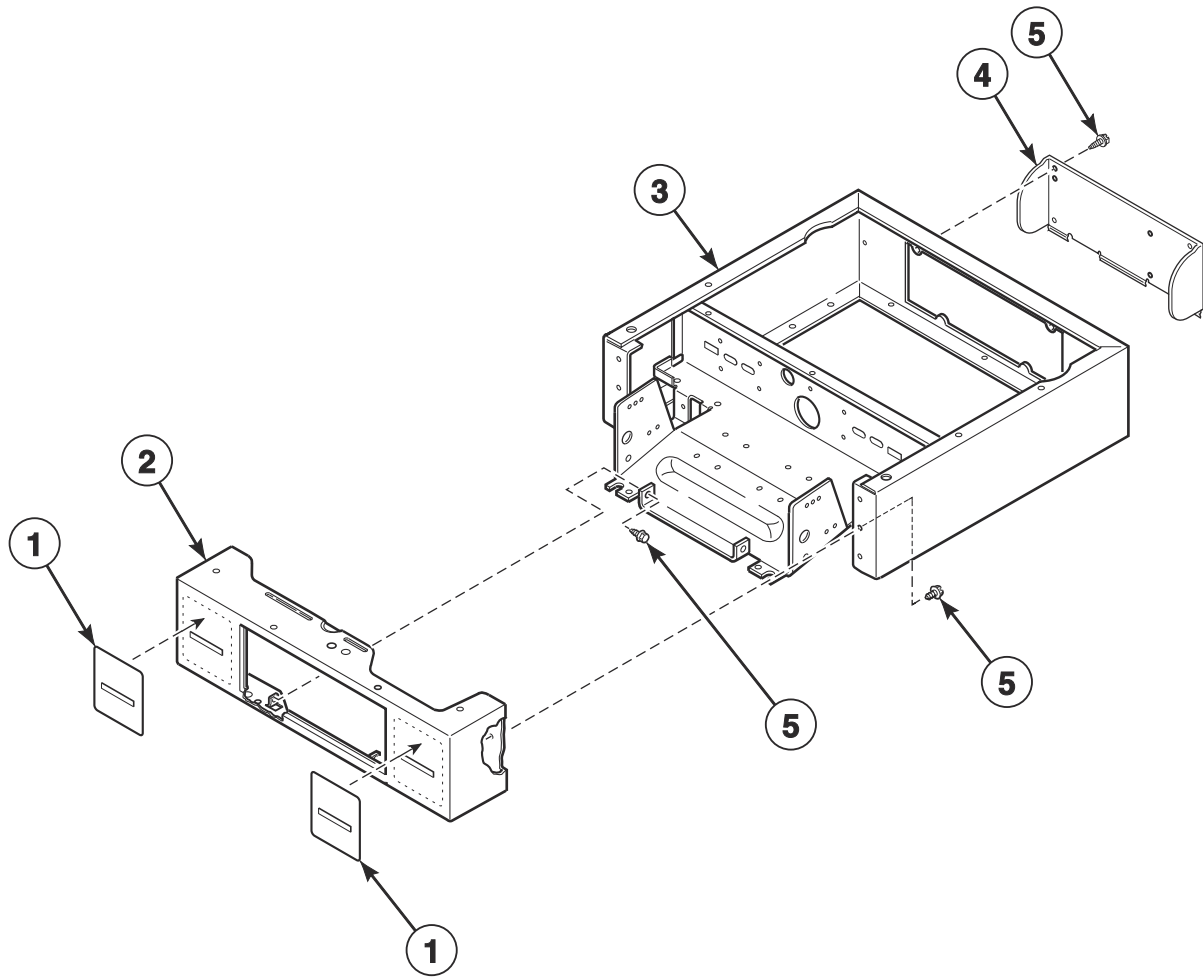


## Card Reader Control Cabinet

REF	PART NO.	DESCRIPTION	COMMENTS
1	D514873	Overlay	Models HTENYASP285CW01 and HTENYASP295CW01
	D514391	Card Insert Overlay	All other models
2	803968W	Control Panel	White
	803968B	Control Panel	Black
3	806276	Screw	Use with stainless steel side panels
	D503688	Screw	Use with painted side panels
4	804112W	Wrapper Assembly	White
	804112B	Wrapper Assembly	Black
5	70240301	Screw	6 required
6	803998	Rear Access Panel	Through Serial No. 1912999999
	807646	Rear Access Panel	Starting Serial No. 2001000001
7	70030501	Expansion Clip	6 required

# Control Cabinet Front and Wrapper

Flat Front Card Models

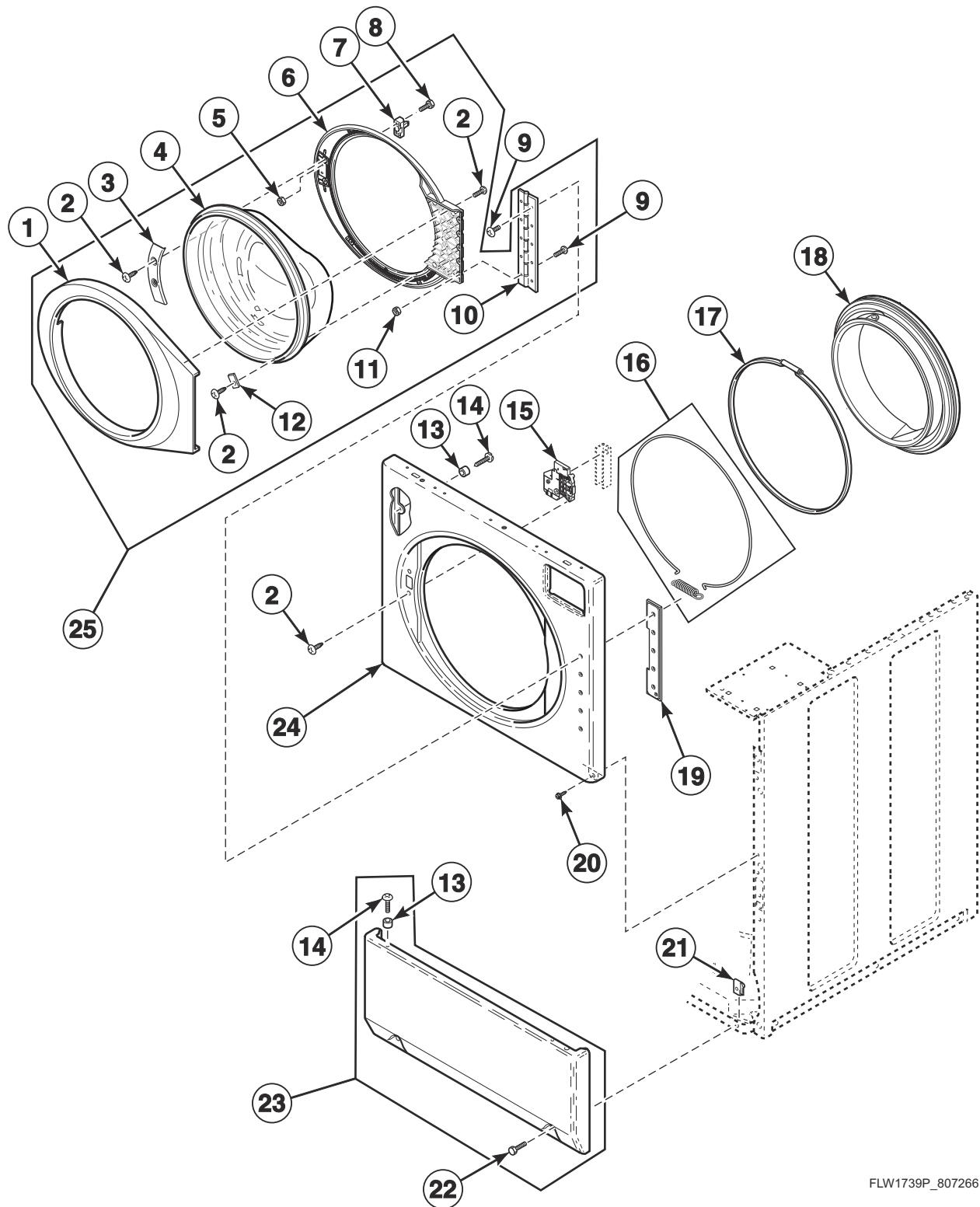


SWD1293P\_807266

## Control Cabinet Front and Wrapper

REF	PART NO.	DESCRIPTION	COMMENTS
1	D511544	Card Insert Overlay	
2	D511208W	Security Cabinet Front Assembly	
3	800231W	Security Cabinet Wrapper Assembly	
4	805834	Rear Service Panel	
5	D503688	Screw	

# Front Panel, Door Assembly and Door Seal

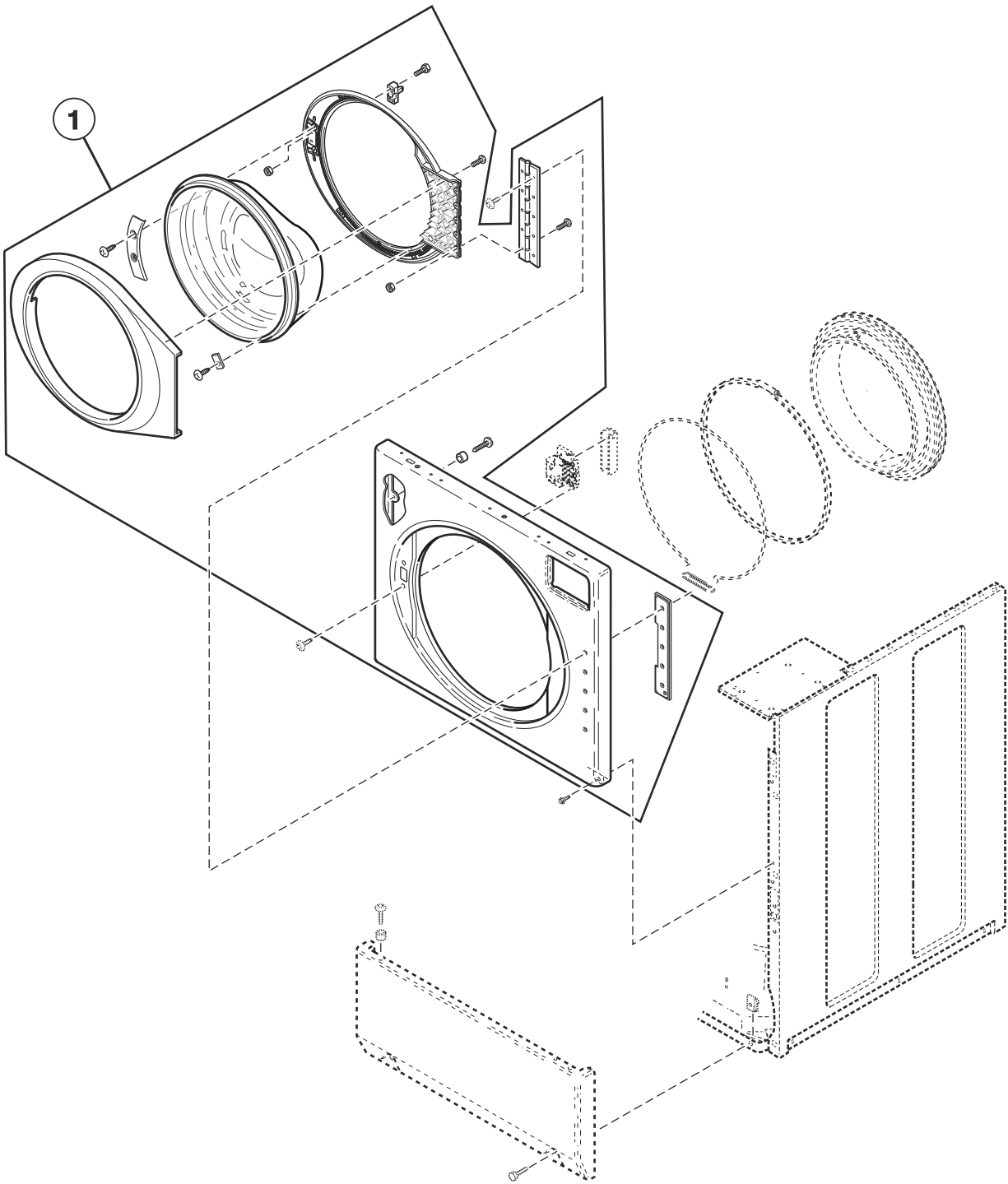


FLW1739P\_807266

## Front Panel, Door Assembly and Door Seal

REF	PART NO.	DESCRIPTION	COMMENTS
1	803710WP	Outer Door Bezel	White
	803711P	Outer Door Bezel	Gray
	803710BP	Outer Door Bezel	Black
2	800548	Screw	
3	804239	Door Glass Mounting Plate	
4	802695P	Door Glass	
5	685846	Nut	
6	802307P	Inner Door Bezel Kit	White
	802331P	Inner Door Bezel Kit	Gray
	804562P	Inner Door Bezel	Glass filled polypropylene upgrade
7	802803	Door Catch Assembly	
8	801993	Screw	
9	801019	Screw	
10	802934	Door Hinge	
11	23951	Nut	
12	802700	Glass Mounting Clip	7 required
13	56079	Panel Locator	
14	39733	Screw	Use with painted panels
	806086	Screw	Use with stainless steel panels
15	803920	Door Latch Assembly	
16	806466	Wire Ring and Spring	
17	802281	Hose Clamp	Seal to outer tub front
18	804428P	Door Seal	Black
	804429P	Door Seal Assembly	Gray
19	802206	Hinge Plate	
20	D503661	Screw	
21	36020	Nut	
22	801045	Screw	
23	804618	Access Panel Assembly	Stainless steel
	804617W	Access Panel Assembly	White
	804617DGP	Access Panel Assembly	Dark gray
24	802288P	Front Panel	Stainless steel
	802277WP	Front Panel	White
	802277DG	Front Panel	Dark gray
25	804083WP	Door Assembly	White
	804210P	Door Assembly	Gray
	805550	Door Assembly	Black

# Front Panel Assembly

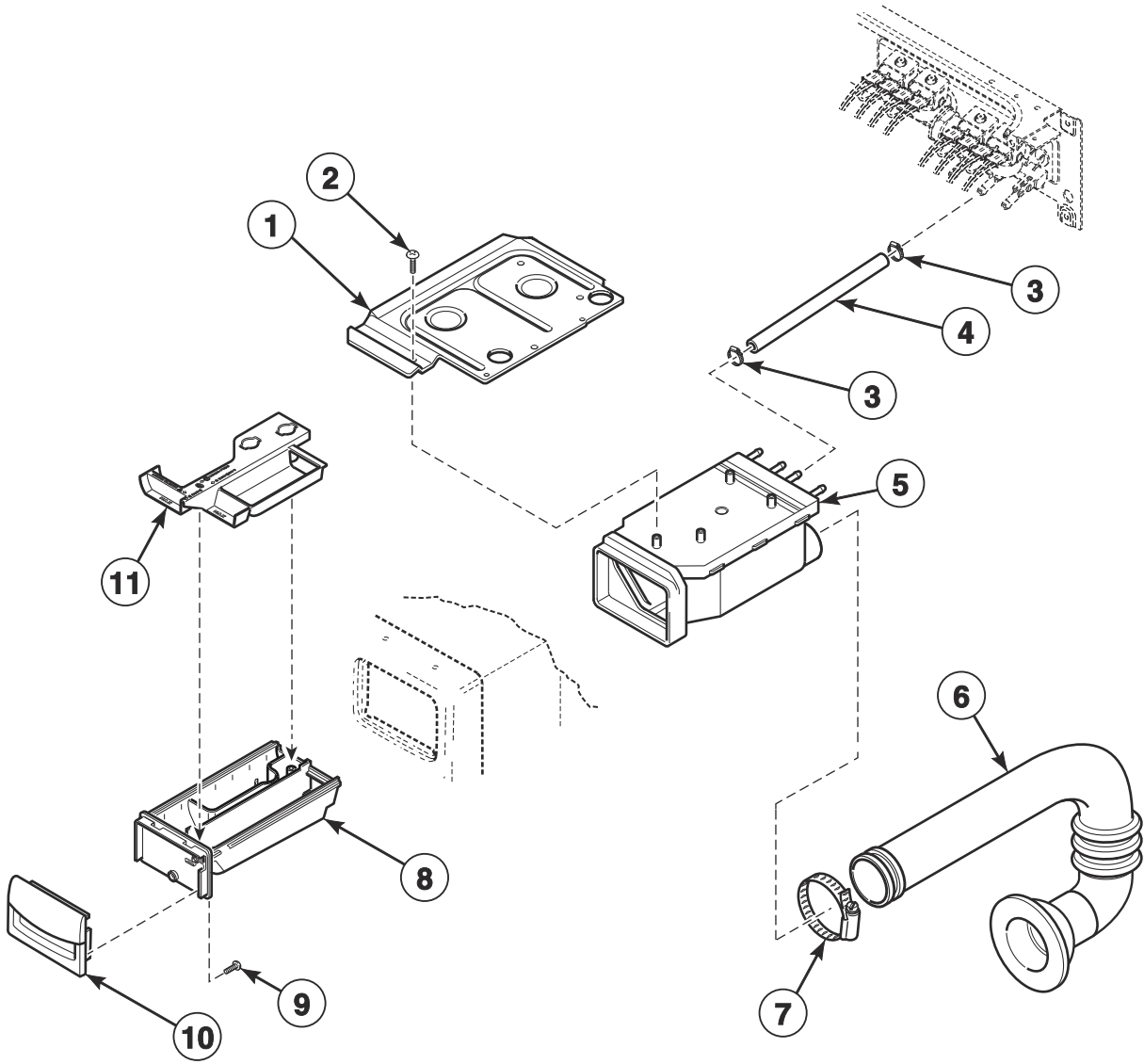


FLW1739PA\_807266

# Front Panel Assembly

REF	PART NO.	DESCRIPTION	COMMENTS
1	806505W	Front Panel Assembly Kit	White
	806560	Front Panel Assembly Kit	Stainless steel

# Dispenser Assembly



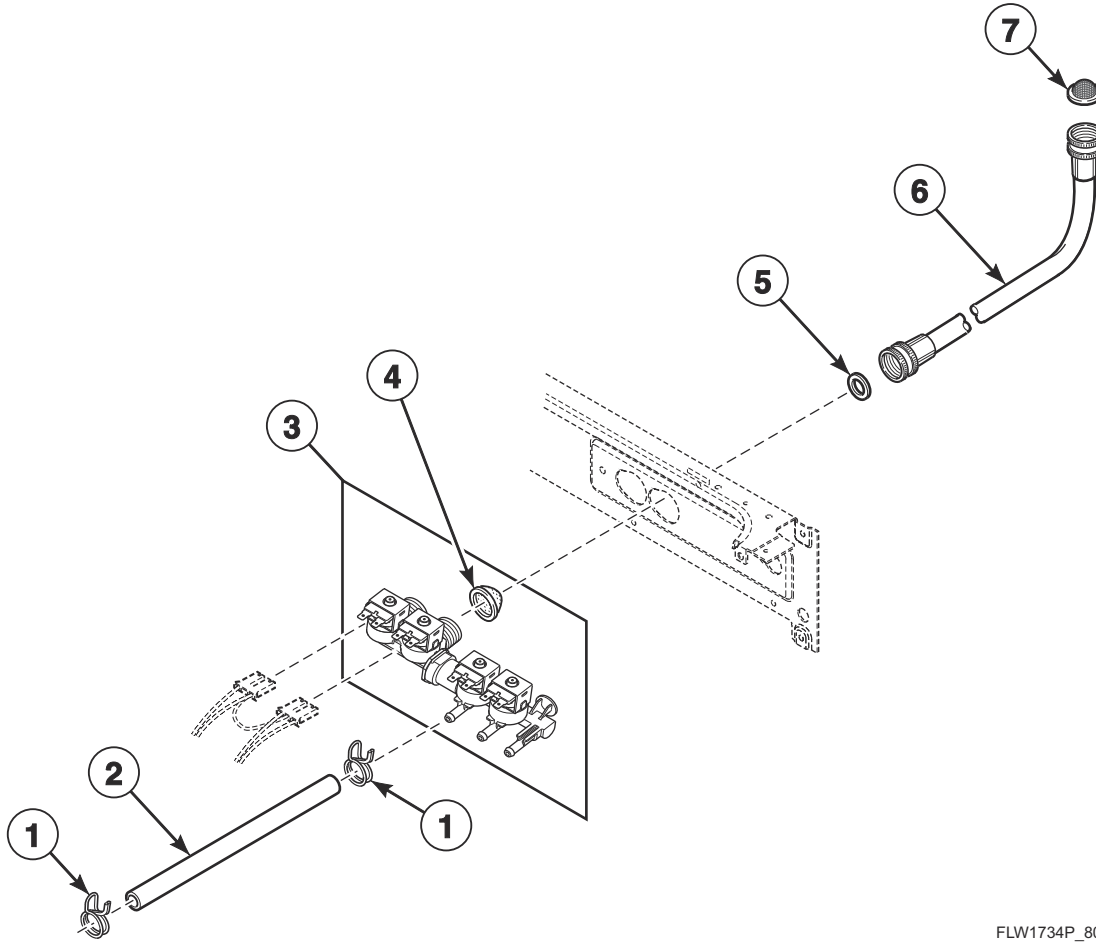
FLW1717P\_807266



# Dispenser Assembly

REF	PART NO.	DESCRIPTION	COMMENTS
	804875	Foam Pad	
1	803843	Dispenser Plate	
2	801001	Screw	
3	807386	Hose Clamp	
4	803849	Dispenser Inlet Hose	Through Serial No. 1810000001
	807364	Dispenser Inlet Hose	Starting Serial No. 1810000001
5	803698	Dispenser Assembly	
6	804717	Detergent Hose	
7	685725	Hose Clamp	
8	803667	Dispenser Drawer	
9	800548	Screw	
10	804227WP	Dispenser Handle	White
	804227B	Dispenser Handle	Black
	804228	Dispenser Handle	Light gray
11	803669	Compartment Cover	

# Mixing Valve and Valve-to-Dispenser Hose

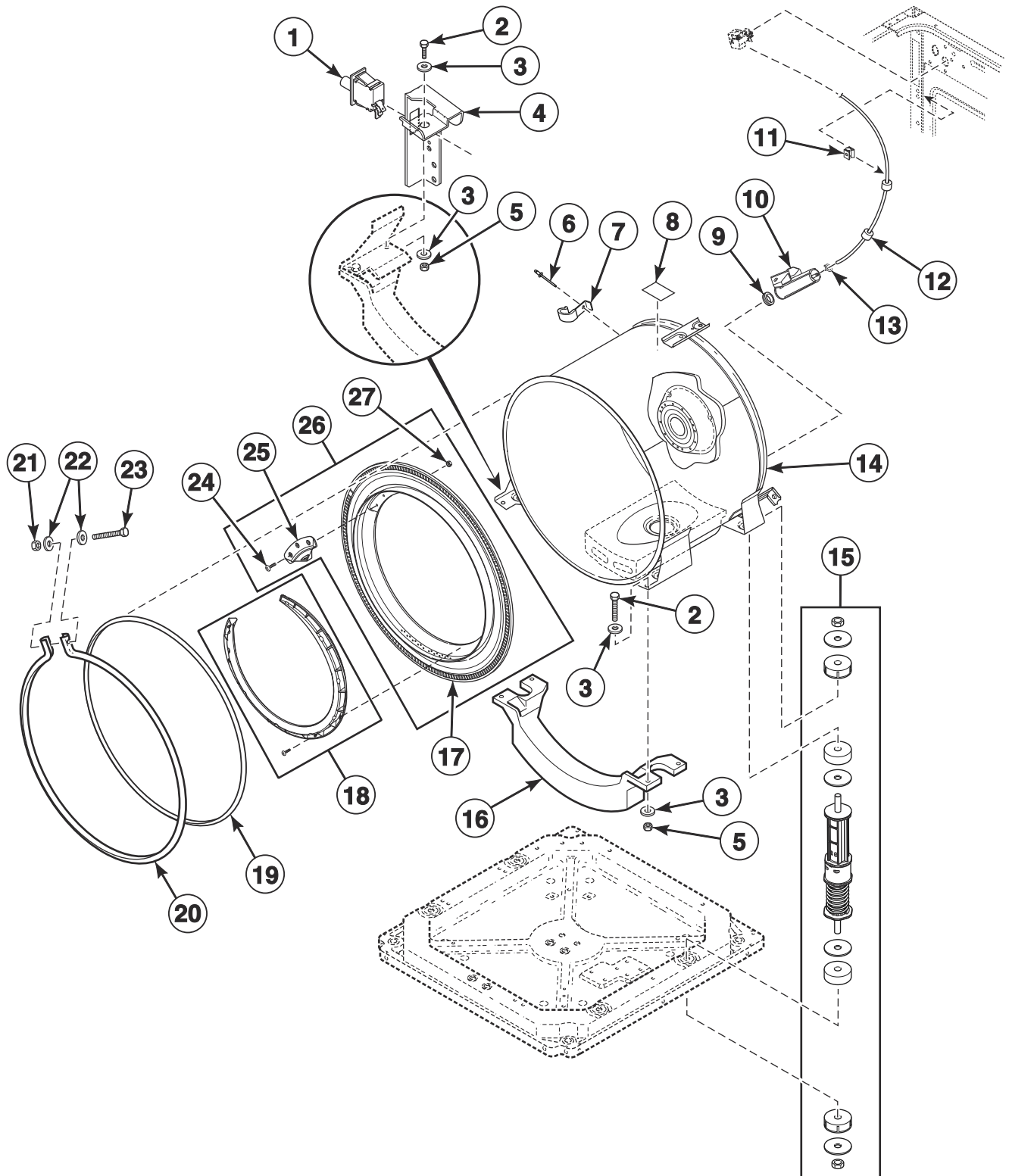


FLW1734P\_807266

## Mixing Valve and Valve-to-Dispenser Hose

REF	PART NO.	DESCRIPTION	COMMENTS
1	807386	Hose Clamp	
2	803849	Dispenser Inlet Hose	Through Serial No. 1810000001
	807364	Dispenser Inlet Hose	Starting Serial No. 1810000001
3	806509P	Mixing Valve	
4	24122	Mixing Valve Screen	
5	20290	Washer	
6	203719	Fill Hose	4 feet; Marked for hot water; 2 standard thread hose couplings
	203720	Fill Hose	4 feet; Marked for cold water; 2 standard thread hose couplings
7	803615	Washer	Filter screen
	802254	Washer	Flow restrictor; Water pressure reducer; Available for water pressure up to but not exceeding 120 psi

# Outer Tub, Front and Clamp Ring

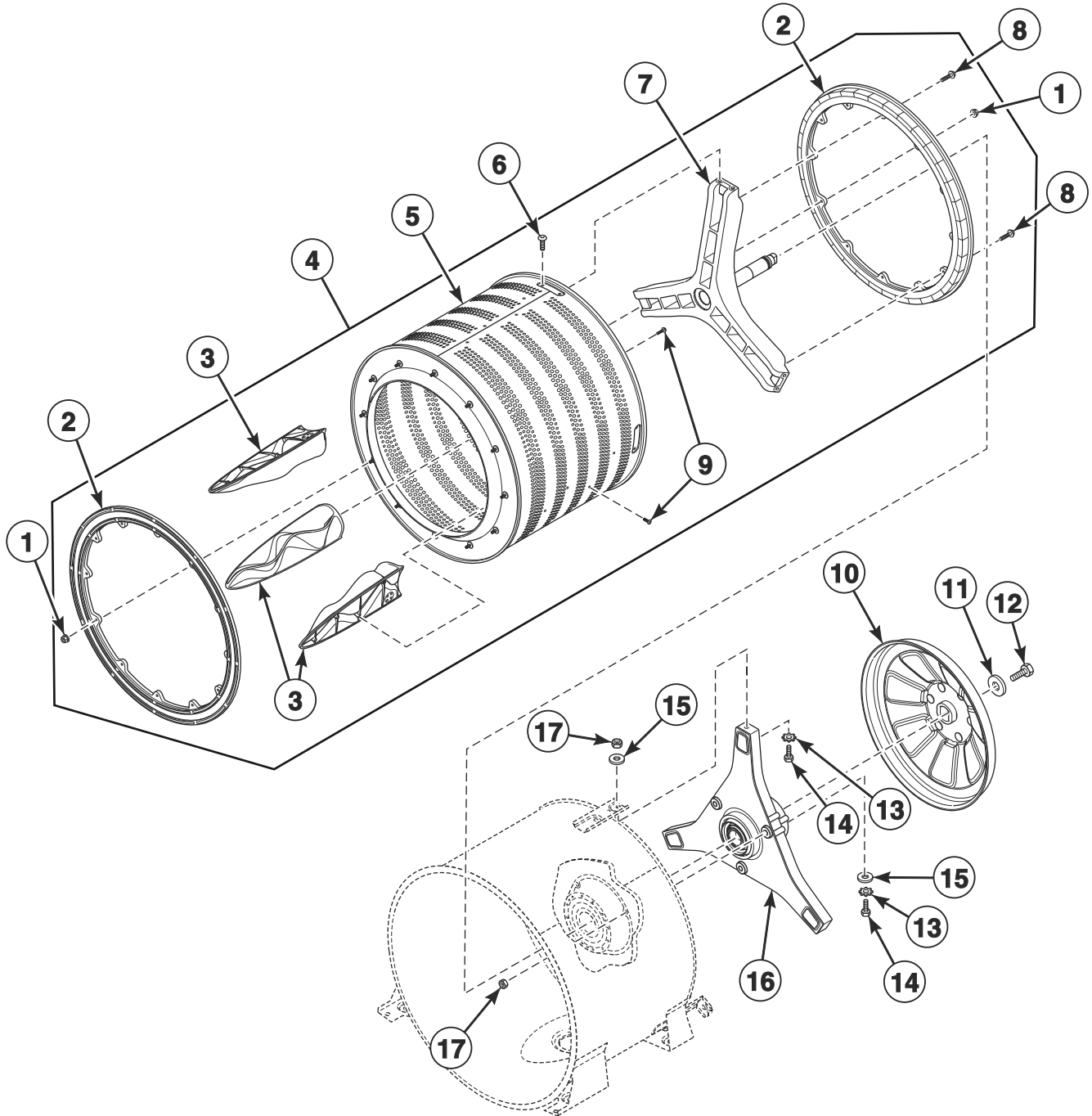


FLW1809P\_807226

## Outer Tub, Front and Clamp Ring

REF	PART NO.	DESCRIPTION	COMMENTS
1	803415	Out-of-Balance Switch Assembly	Through Serial No. 2012999999
	807384	Out-of-Balance Switch Assembly	Starting Serial No. 2101000001
2	800461	Screw	
3	804458	Washer	
4	804457	Out-of-Balance Switch Bracket	Through Serial No. 2012999999
	807280	Out-of-Balance Switch Bracket	Starting Serial No. 2101000001
5	800452	Nut	
6	685847	Pop Rivet	
7	800553	Hose Clip	
8	D500049	Warning Label	
9	29175	Grommet	
10	803837	Pressure Bulb	
11	36985	Hose Clip	
12	804483	Pressure Sensor Tube Assembly	
13	803891	Hose Clamp	
14	803864	Outer Tub Assembly	Models through Serial No. 1910999999 except Serial Nos. 1908066087 to 1909000879
	807618	Outer Tub Assembly	Models Serial Nos. 1908066087 to 1909000879 and starting Serial No. 1911000001 to 2010999999
	807479	Outer Tub Assembly	Starting Serial No. 2011000001
15	803777P	Shock Assembly	Must replace all four
16	803810	Counterweight	Through Serial No. 2012999999
	807476	Counterweight	Starting Serial No. 2101000001
17	803770	Tub Front	
18	806308	Foreign Object Deflector	Black; Includes screws
	806313	Foreign Object Deflector	Gray; Includes screws
	806361	Foreign Object Deflector	Tall; Gray; Includes screws
19	803801	Tub Front Seal	
20	803802	Clamp Ring	
21	F430218	Nut	
22	M400081	Washer	
23	800462	Screw	
24	802596	Screw	
25	804467	Clothes Guard Deflector	
	805548	Clothes Guard Deflector	Heavy duty
26	803879	Tub Front Assembly	Includes items 17, 24, 25 and 27
27	802343	Nut	

# Inner Basket, Trunnion, Bearing Housing and Pulley

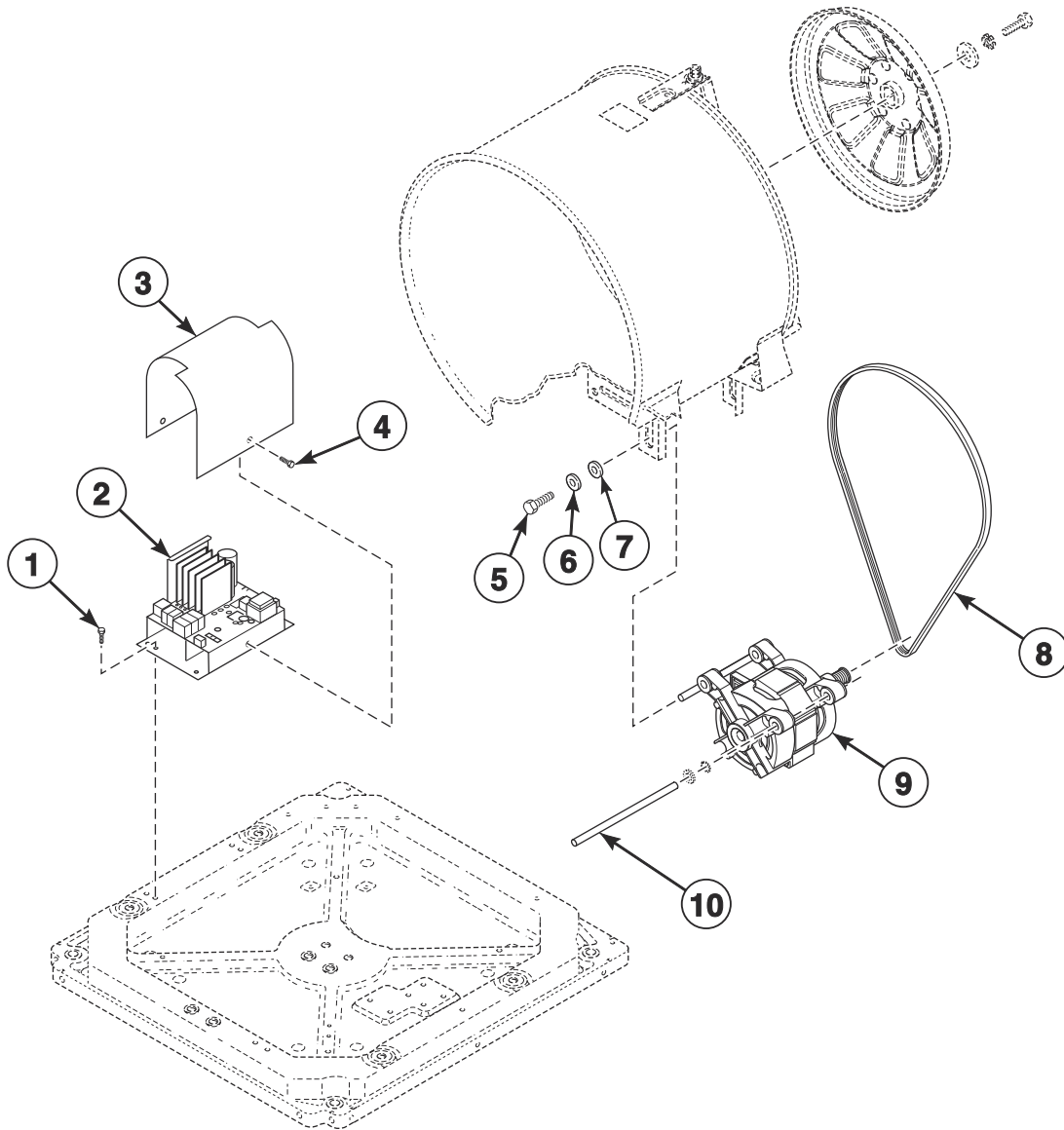


FLW1818P\_807266

## Inner Basket, Trunnion, Bearing Housing and Pulley

REF	PART NO.	DESCRIPTION	COMMENTS
	27604P	Anti-Seize Compound	Pulley to inner basket shaft
	805730	Bearing Kit	
1	804418	Nut	
2	804393	Balance Ring Assembly	
3	804382	Lifter	
4	804376P	Inner Basket Assembly Kit	
5	804374P	Inner Basket Assembly	
6	804699	Screw	
7	808043	Trunnion Shaft Kit	Includes hardware and tool
8	804399	Screw	
9	800548	Screw	
10	803974	Pulley Assembly	
11	807679	Washer	
12	685831	Screw	Left hand thread
13	M403958	Washer	
14	M400043	Screw	
15	800457	Washer	
16	805525	Bearing Housing Kit	Includes hardware and tool
17	800452	Nut	

# Motor and Belt



FLW1735P\_807226

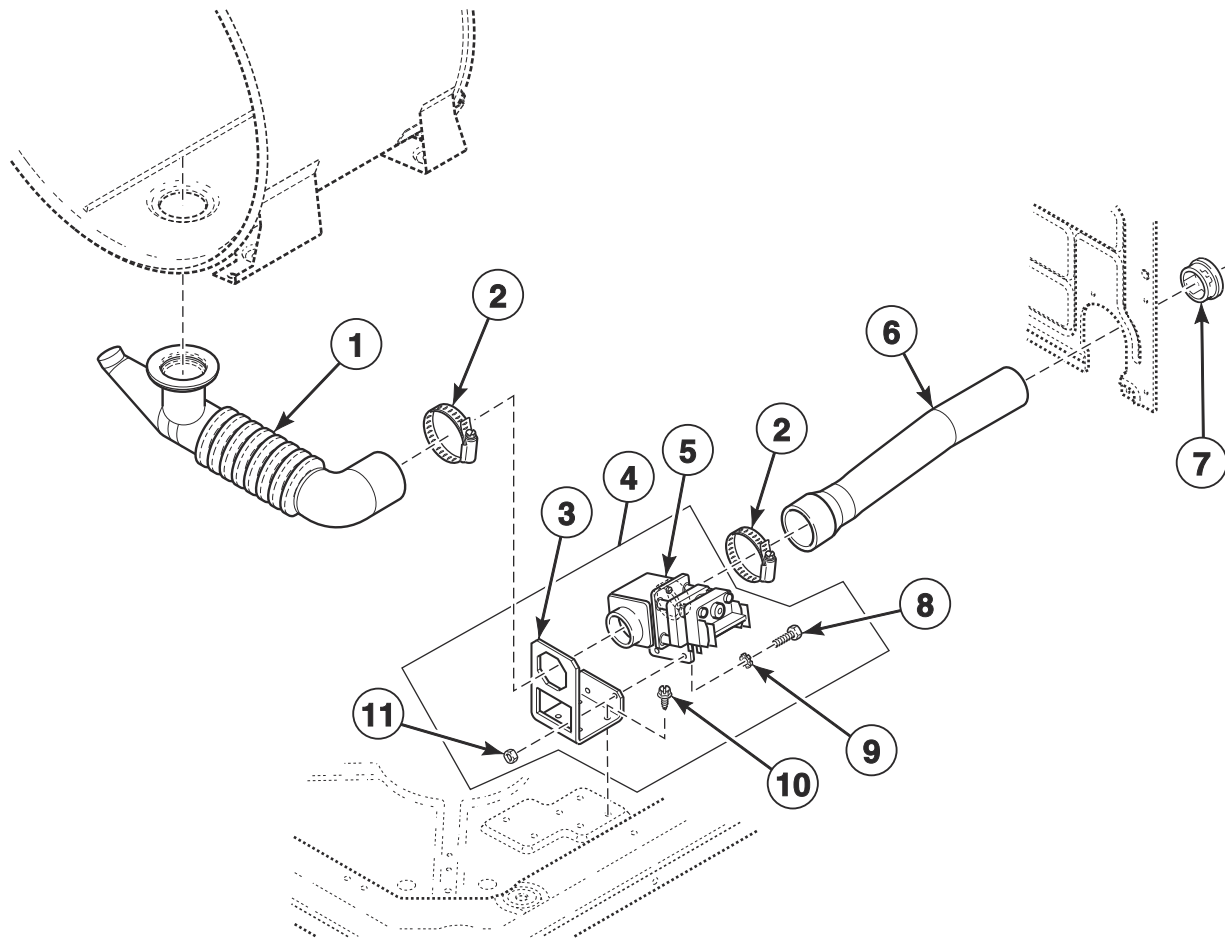


## Motor and Belt

REF	PART NO.	DESCRIPTION	COMMENTS
	807441	Control Bracket	Starting Serial No. 2101000001
	F8206901	Screw	Starting Serial No. 2101000001; Use with 807441 Control Bracket
<b>1</b>	D503661	Screw	Through Serial No. 2012999999
<b>2</b>	807175P	Inverter Control Assembly	Through Serial No. 2012999999
	807240	Output Control Assembly	120 Volt; Without filter; Starting Serial No. 2101000001
	807243	Output Control Assembly	240 Volt; With filter; Starting Serial No. 2101000001
<b>3</b>	804878	Motor Control Shield	Through Serial No. 2012999999
<b>4</b>	D501524	Screw	
<b>5</b>	M400057	Screw	Through Serial No. 2010999999
	02916	Screw	Starting Serial No. 2011000001
<b>6</b>	02834	Washer	Through Serial No. 2010999999
<b>7</b>	M400080	Washer	Through Serial No. 2010999999
<b>8</b>	804985	Drive Belt	Through Serial No. 1910999999 except Serial Nos. 1908066087 to 1909000879
	807429P	Belt	Serial Nos. 1908066087 to 1909000879 and starting Serial No. 1911000001
<b>9</b>	805726P	Motor and Rod Assembly Kit	Includes item 10; Through Serial No. 2012999999
	808067P	Motor and Rod Assembly Kit	Includes item 10; Starting Serial No. 2101000001
<b>10</b>	803861	Motor Rod	Through Serial No. 2010999999
	807739	Motor Rod	Starting Serial No. 2011000001

# Drain Hose and Valve

Gravity Drain Models



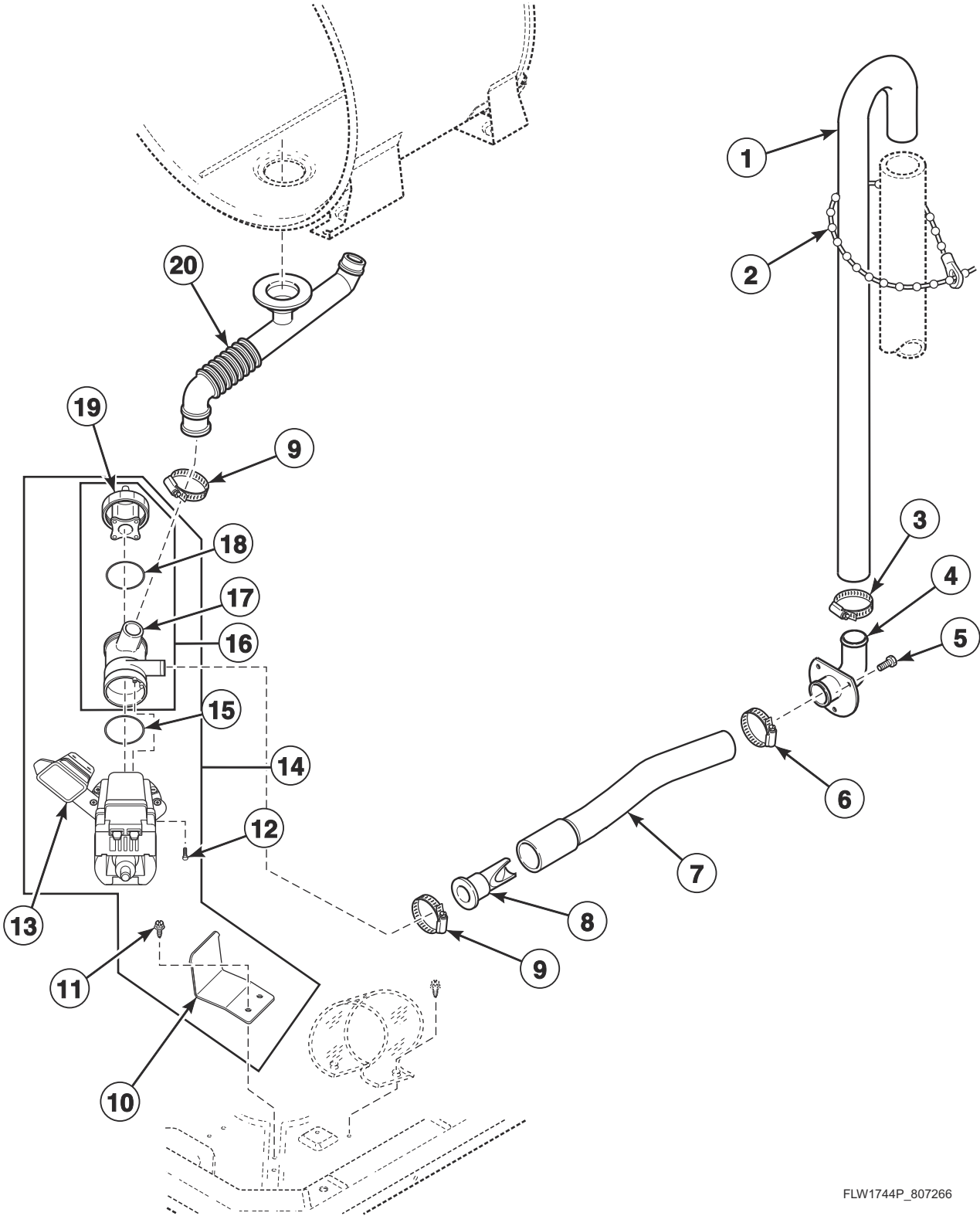
FLW1745P\_807266

## Drain Hose and Valve

REF	PART NO.	DESCRIPTION	COMMENTS
1	803874	Tub-to-Gravity Drain Hose	
2	685725	Hose Clamp	
3	803291	Gravity Drain Bracket	
4	F975P3	Drain Valve Kit	
5	803293P	Drain Valve	
6	800903	Drain-to-Cabinet Hose	
7	D503235	Snap Bushing	
8	02916	Screw	
9	M400017	Washer	
10	D503661	Screw	
11	29786	Nut	

# Drain Hose and Pump

Pump Models

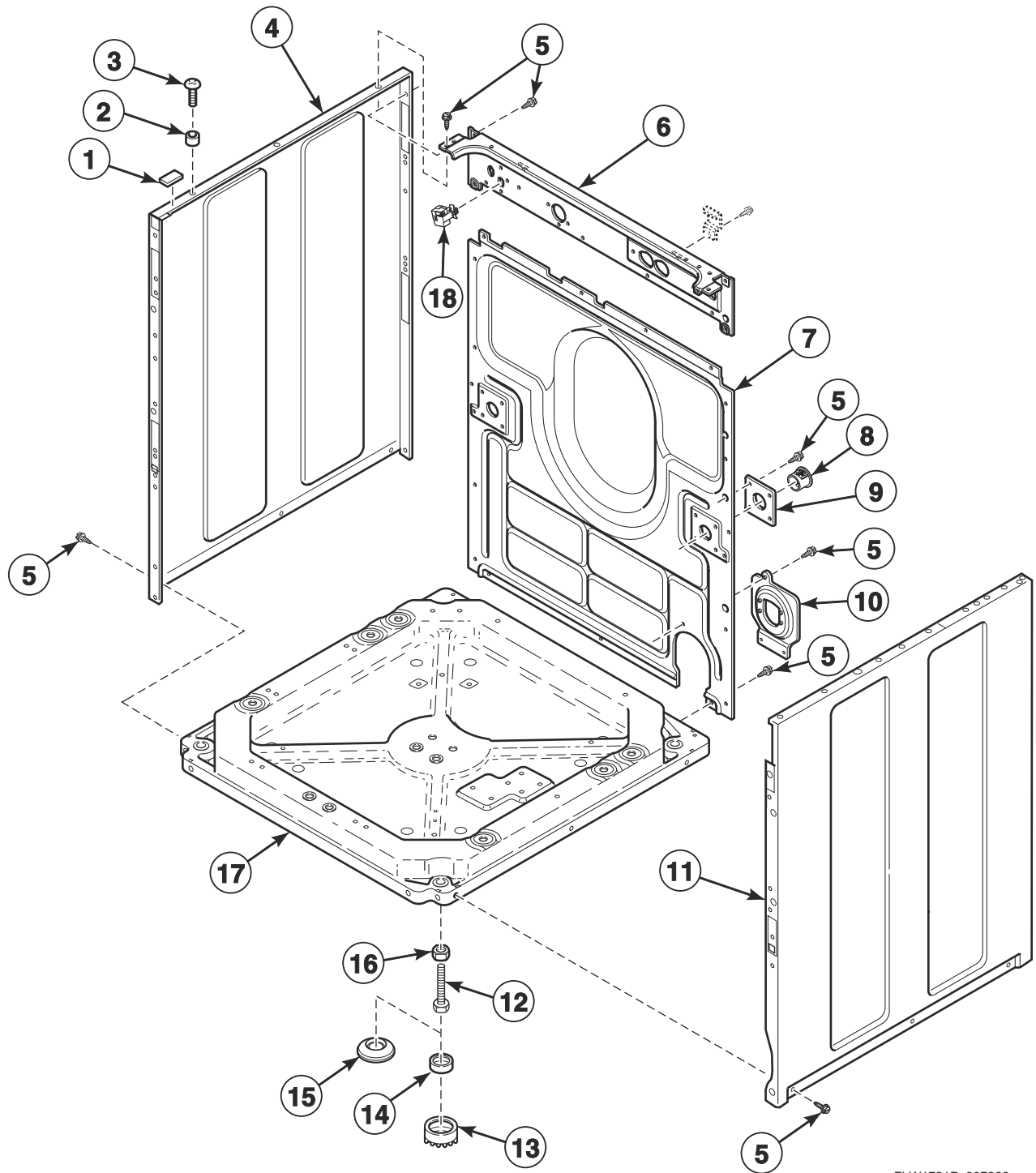


FLW1744P\_807266

## Drain Hose and Pump

REF	PART NO.	DESCRIPTION	COMMENTS
	805771	Pump-to-Gravity Drain Kit	
1	27154	Drain Hose	
2	33489	Standpipe Strap	
3	20211	Hose Clamp	
4	35766	Drain Hose Elbow	
5	52909	Screw	
6	20391	Hose Clamp	
7	803734	Pump-to-Elbow Hose	
8	800310	Backflow Preventer	
9	F200204	Hose Clamp	
10	803814	Drain Base Bracket	
11	D503661	Screw	
12	802431	Screw	
13	803815	Drain Pump Isolator	
14	805724P	Drain Pump Assembly	100-127 Volt; 60 Hertz; Includes items 10-13 and 15-19
15	802429P	O-Ring	
16	802434P	Pump Housing Assembly	Includes items 17-19
17	802428	Pump Housing	
18	802427	Gasket	
19	802426P	Lid Assembly	Includes filter
20	803829	Tub-to-Pump Hose	

# Washer Base, Side Panels and Rear Panel

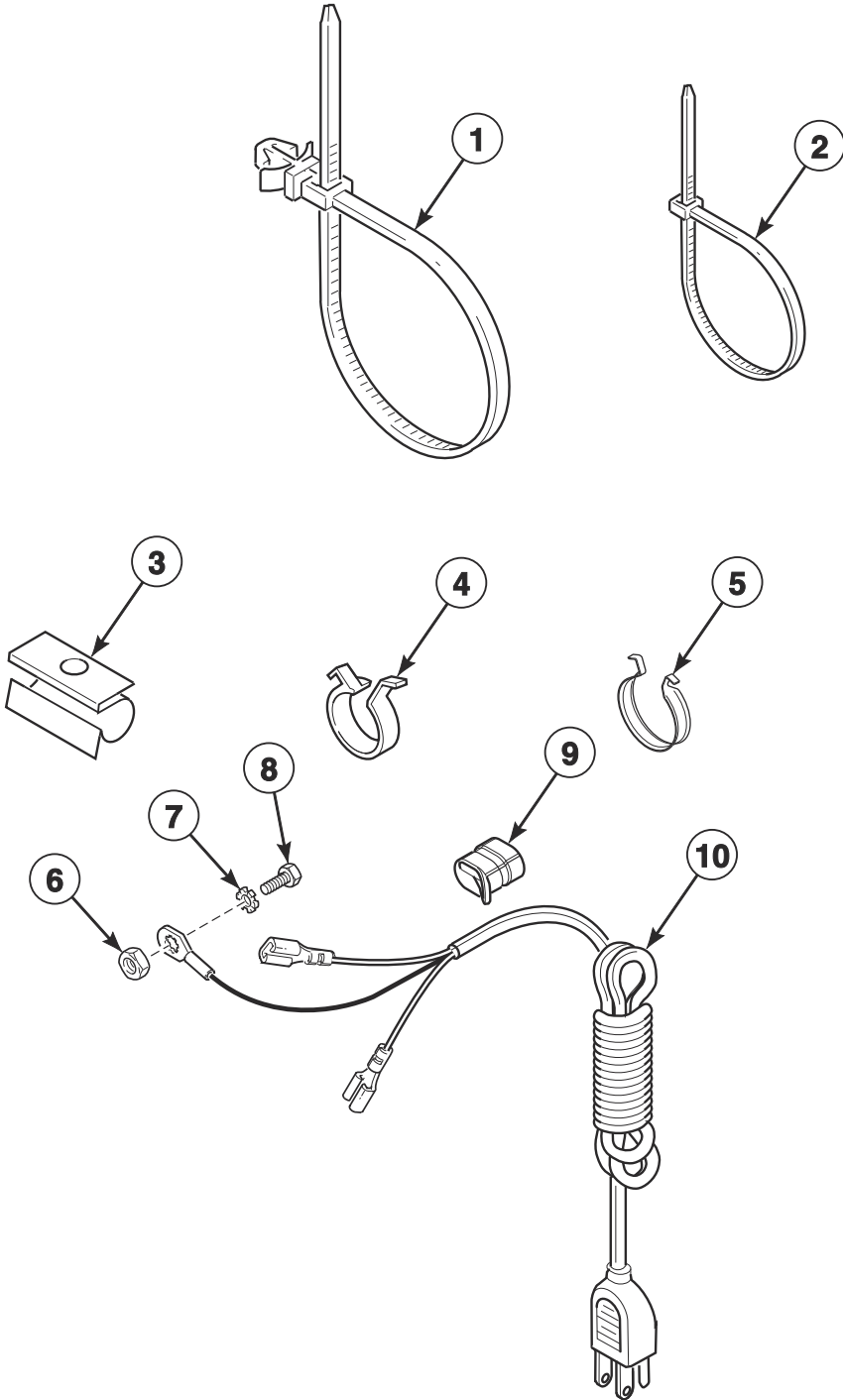


FLW1721P\_807266

## Washer Base, Side Panels and Rear Panel

REF	PART NO.	DESCRIPTION	COMMENTS
	122P4P	Porcelain Touch-Up Paint	White
	806436P	Paint	Dark gray
<b>1</b>	36226	Bumper Pad	
<b>2</b>	56079	Panel Locator	
<b>3</b>	806276	Screw	Use with stainless steel panels
	39733	Screw	Use with painted panels
<b>4</b>	802525P	Cabinet Side Panel	Left; Stainless steel
	800004WP	Cabinet Panel Kit	Left; White; Includes corner gusset with hardware
	800004DG	Cabinet Side Panel	Left; Dark gray
<b>5</b>	D503661	Screw	
<b>6</b>	803790	Rear Panel	Fixed; Through Serial No. 1810000001
	806716	Rear Panel	Fixed; Starting Serial No. 1810000001
<b>7</b>	803789	Rear Panel	Removable
<b>8</b>	803859	Shipping Plug	
<b>9</b>	803851	Shipping Plate	
<b>10</b>	803833	Gravity Drain Bracket	Model STGNXASG115TW01
	803828	Drain Hose Bracket	All other models
<b>11</b>	802526P	Cabinet Side Panel	Right; Stainless steel
	806492	Side Panel Kit	Right; White
	800005DG	Cabinet Side Panel	Right; Dark gray
<b>12</b>	D501855	Rubber Foot	Use to prevent movement on smooth surface floor coverings; Install over two existing front rubber feet (item 17)
<b>13</b>	34318	Rubber Foot	
<b>14</b>	155P3	Anchor	Includes 4 rubber discs with adhesive backing
	802844P	Anchor Floor Mount Assembly	Includes 2 rubber discs with adhesive backing
<b>15</b>	34319	Leveling Leg	
<b>16</b>	21899	Nut	
<b>17</b>	803876	Base Assembly	
<b>18</b>	203843	Pressure Sensor	

# Washer Lead-In Cord, Wire Ties and Harness Clips



FLW823P\_807266

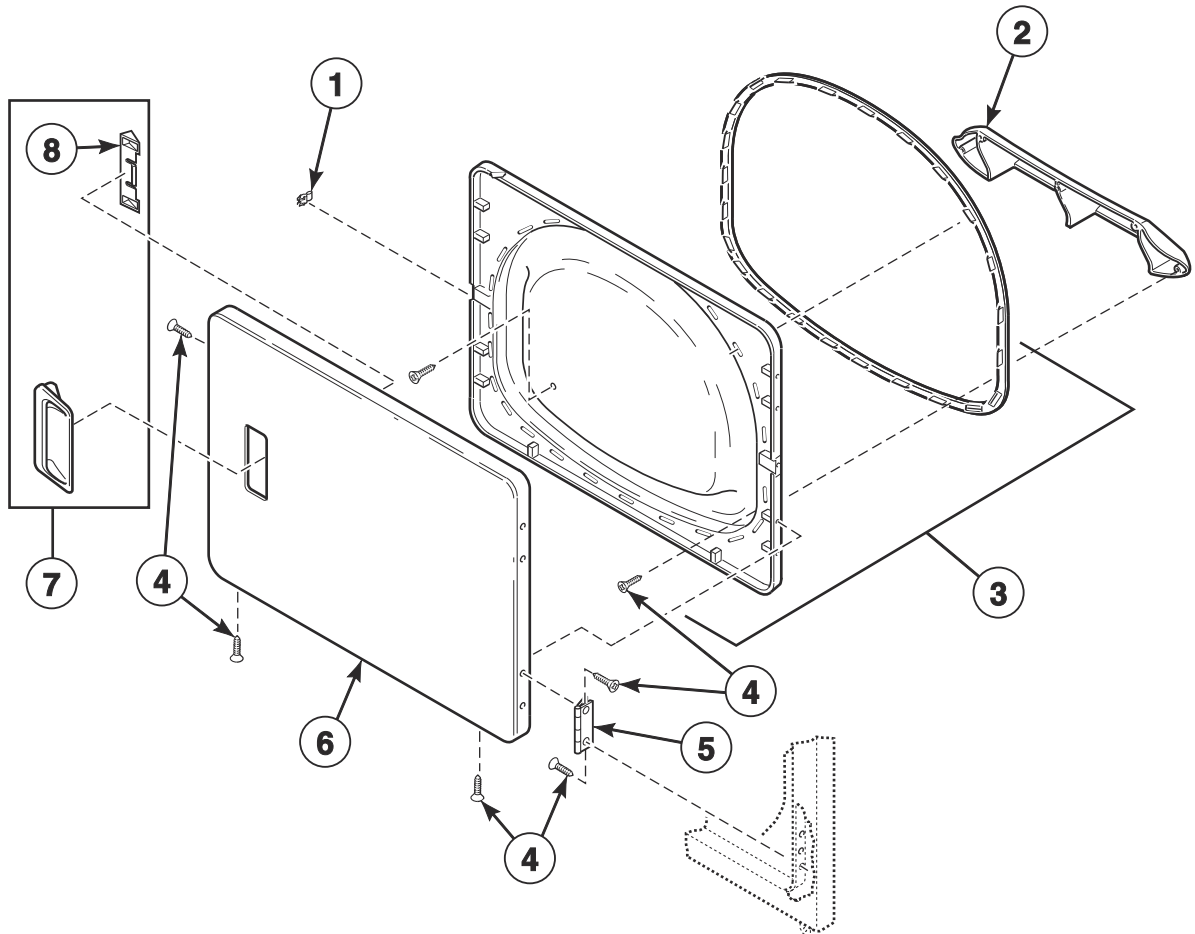


# Washer Lead-In Cord, Wire Ties and Harness Clips

REF	PART NO.	DESCRIPTION	COMMENTS
1	38663	Wire Tie	
2	55881	Harness Strap	
3	36985	Hose Clip	
4	D504034	Wire Clip	Small
5	687500	Wire Clip	Large
6	03673	Nut	
7	03815	Washer	
8	20530	Screw	
9	38384	Strain Relief	
10	202777	Lead-In Cord	

# Dryer Door Without Window

Models PTEJCASP175TG01, PTEJEASP285CG01, PTEJXASP175TG01, PTEJXASP285CG01, PTGJCASP115TG01, PTGJEASP095CG01, PTGJXASP095CG01, PTGJXASP115TG01, STENYASP175TN01 and STGNYPASP115TN01



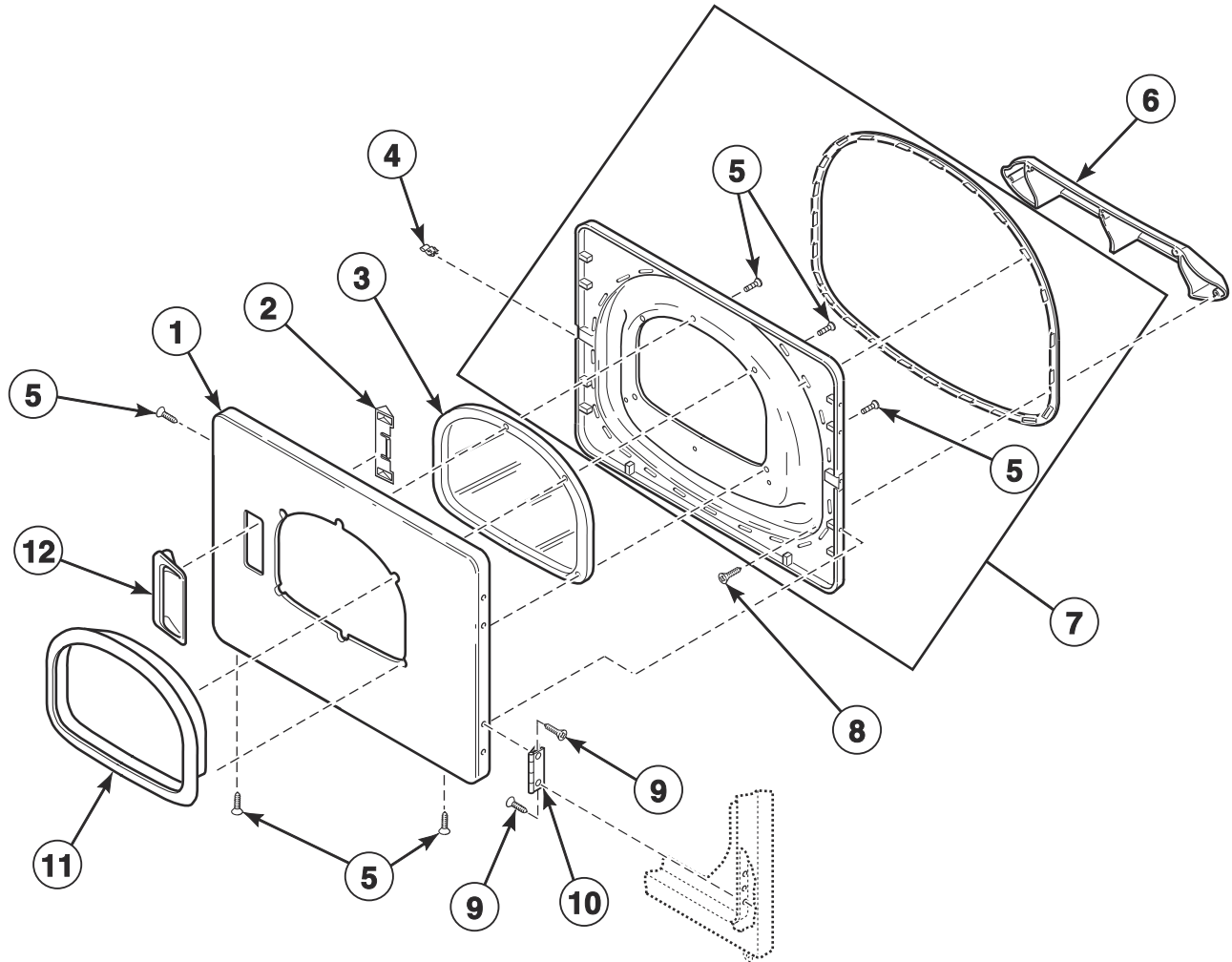
DRY2500P\_807266

## Dryer Door Without Window

REF	PART NO.	DESCRIPTION	COMMENTS
1	D510181	Door Strike	
2	D503870LG	Door Liner Grill	Models STENYASP175TN01 and STGNYASP115TN01
	D503870W	Door Liner Grill	All other models
3	D516508	Door Liner Assembly	Includes door seal
4	D505295	Screw	
5	D511036	Hinge	
6	D515960DG	Dryer Door	Dark gray
	D515963	Dryer Door	Stainless steel
7	D511213P	Door Pull and Wedge Kit	Black
	D512947	Door Pull	Light gray
8	D510129W	Door Handle Wedge	

# Dryer Door With Window

Models HTENXASP285CW01, HTENXASP295CW01, HTENYASP285CW01, HTENYASP295CW01, HTGNXASP095CW01, PTEJCASP175TW01, PTGJCASP115TW01, STENCASP175TW01, STENCFSP175TW01, STENEASP285CW01, STENEASP295CW01, STENXASP175TW01, STENXASP285CW01, STENXASP295CW01, STENXFSP175TW01, STENYASP175TW01, STENYASP285CW01, STENYASP295CW01, STENYFSP175TW01, STEWCASP175TW41, STEWCFSP175TW41, STEWXASP175TW01, STEWXASP285CW01, STEWXASP295CW01, STEWYASP175TW01, STEWYASP175TW41, STEWYFSP175TW41, STGNCASP115TW01, STGNCFSP115TW01, STGNEASP095CW01, STGNXASG115TW01, STGNXASP095CW01, STGNXASP115TW01, STGNXFSP115TW01, STGNYASP095CW01, STGNYASP115TW01, STGNYFSP115TW01, STGWCASP115TW41, STGWCFSP115TW41, STGWXASP095CW01, STGWXASP115TW01, STGWYASP115TW01, STGWYASP115TW41 and STGWYFSP115TW41

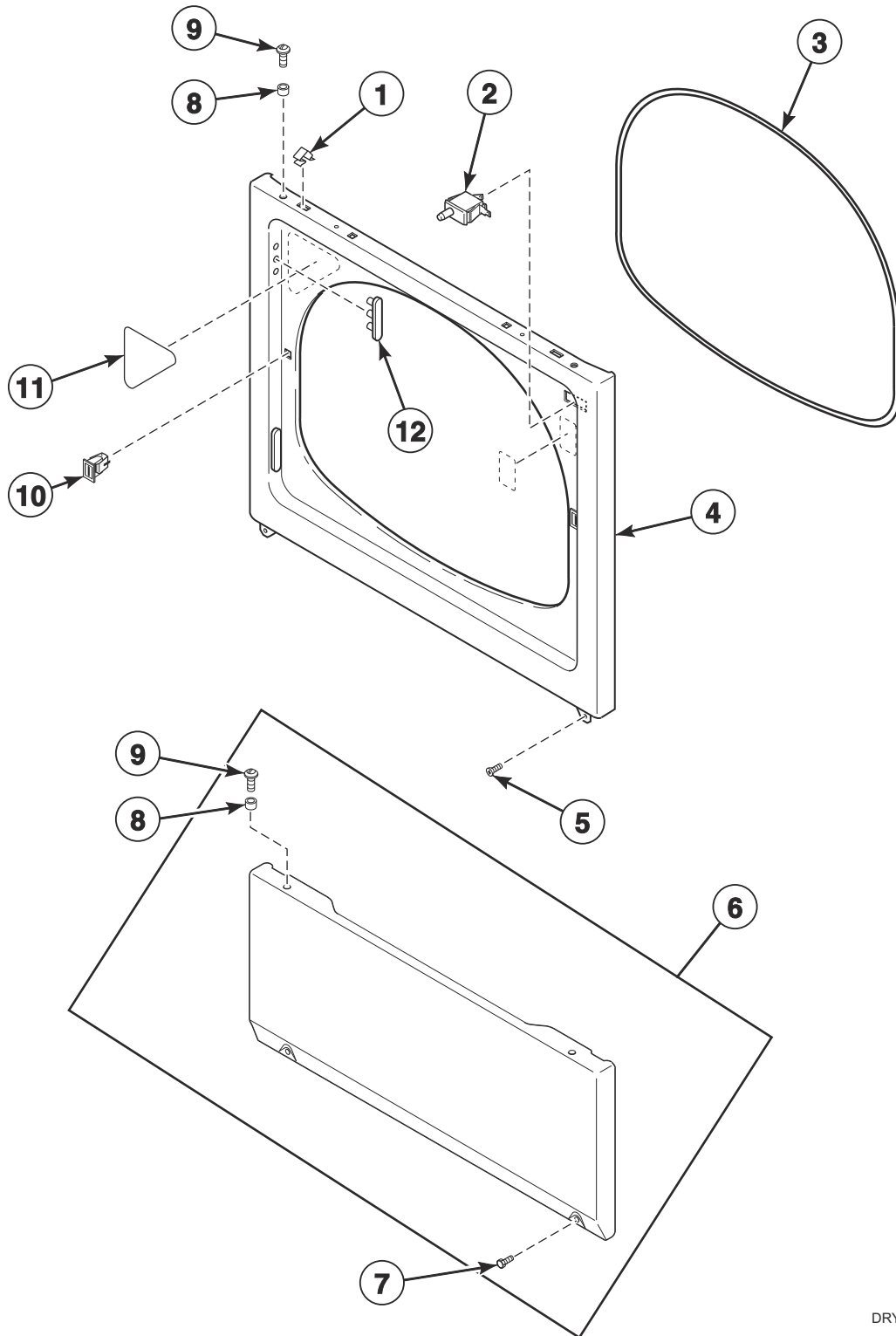


SWD1308P\_807266

## Dryer Door With Window

REF	PART NO.	DESCRIPTION	COMMENTS
1	D515961W	Dryer Door	
2	D510129W	Door Handle Wedge	
3	D515681	Dryer Door Window	
4	D510181	Door Strike	
5	D515967	Screw	
6	D503870W	Door Liner Grill	
7	D516509	Liner and Seal Assembly	Includes door seal
8	D505870	Screw	
9	D505295	Screw	
10	D511036	Hinge	
11	D515956W	Window Trim	
12	D510103WP	Door Pull and Wedge Kit	Includes item 2

# Access Panel, Front Panel and Seal

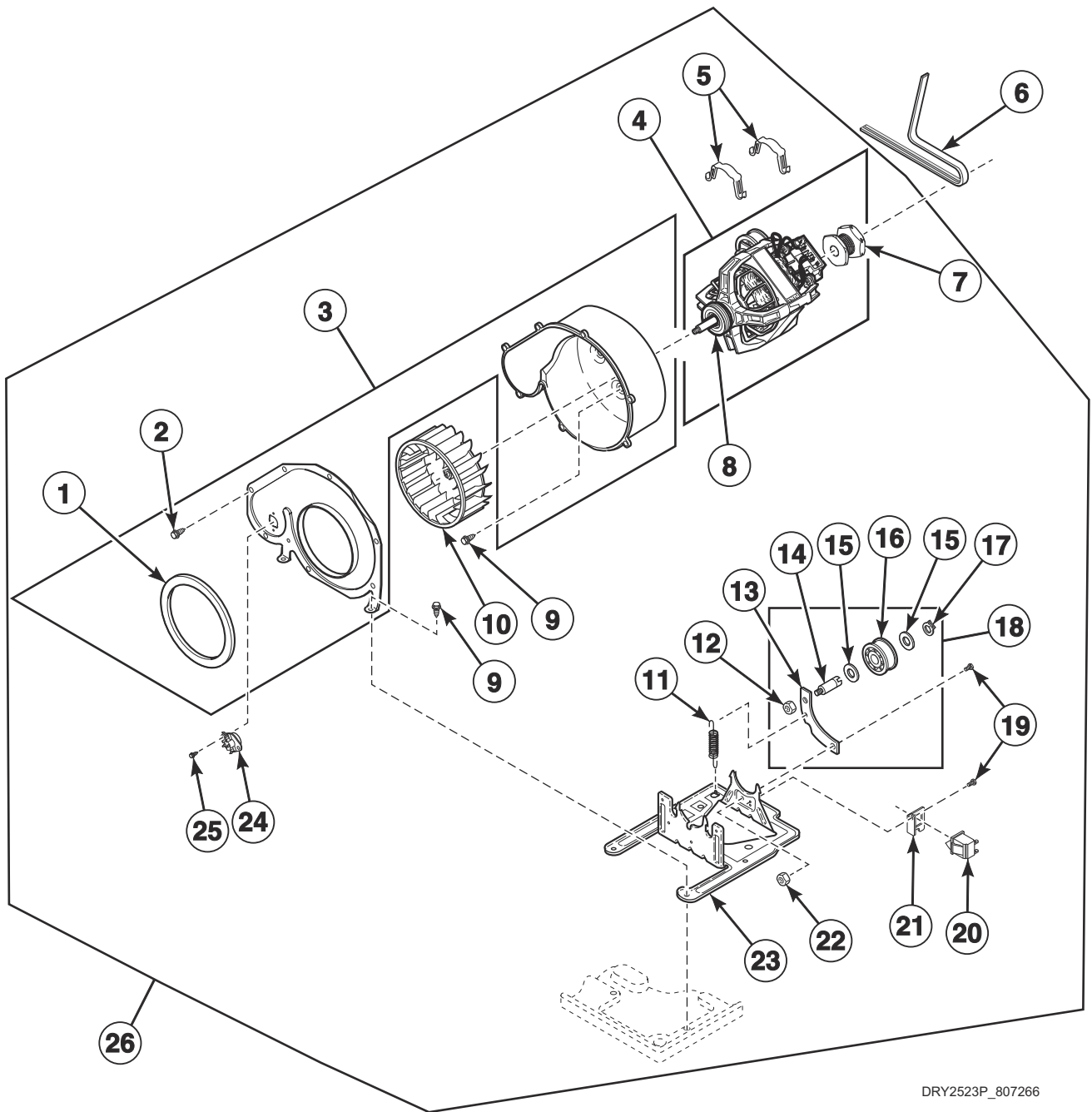


DRY1824P\_807266

## Access Panel, Front Panel and Seal

REF	PART NO.	DESCRIPTION	COMMENTS
1	28835	Speed Clip	
2	D512973	Switch	
3	D511056	Front Panel Seal	
4	D510066DG	Front Panel	Dark gray
	D512542	Front Panel	Stainless steel
	D510066WP	Front Panel	White
5	D503688	Screw	
6	D514251	Access Panel Assembly	Stainless steel
	D514250WP	Access Panel Assembly	White
	D514250DG	Access Panel Assembly	Dark gray
7	33562	Screw	
8	56079	Panel Locator	
9	39733	Screw	
10	D510177	Door Catch Assembly	
11	D500281	Warning/Caution Label	
12	D510186	Hinge Hole Plug	

# Motor, Exhaust Fan and Belt



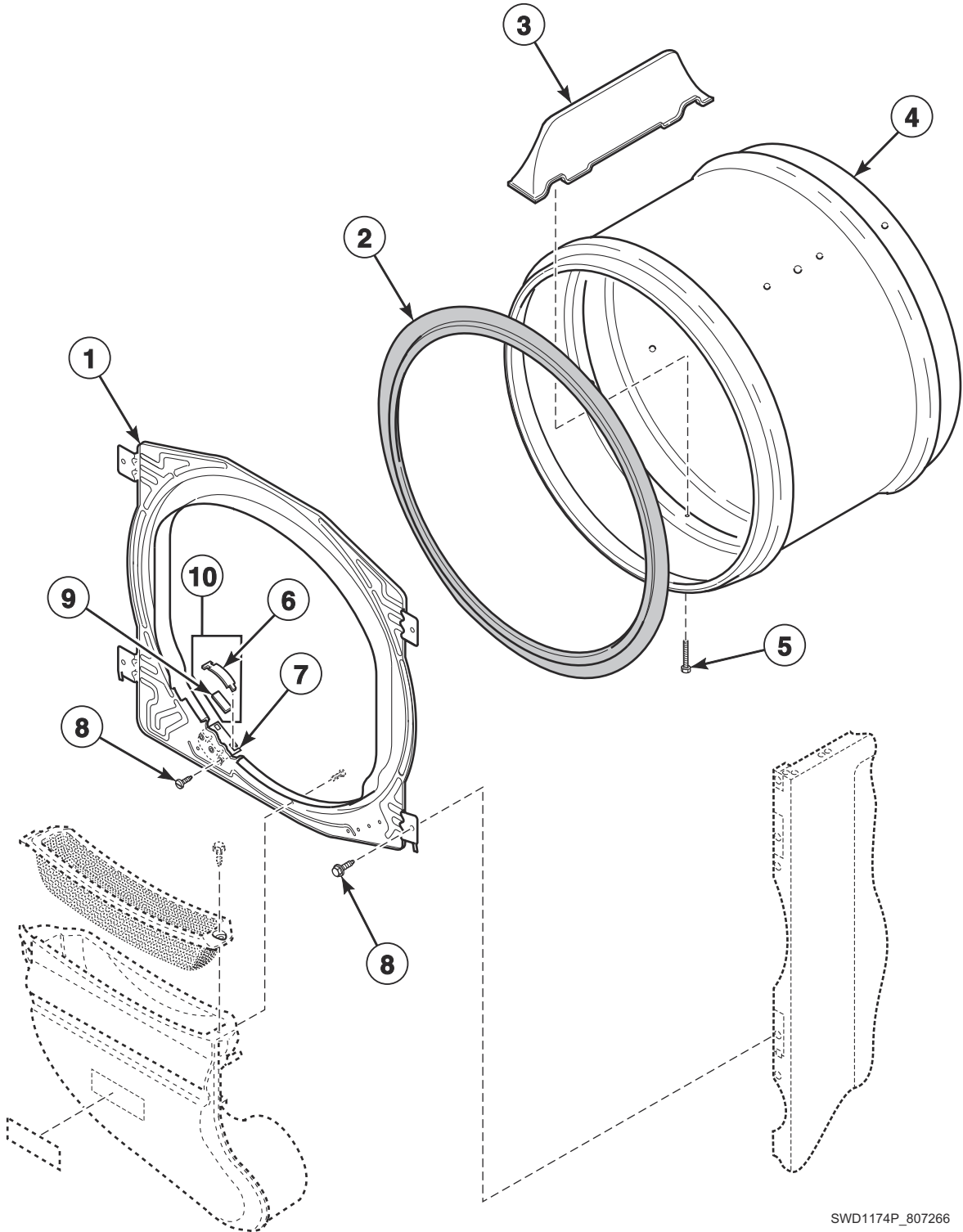
DRY2523P\_807266



## Motor, Exhaust Fan and Belt

REF	PART NO.	DESCRIPTION	COMMENTS
	27604P	Anti-Seize Compound	Apply to motor shaft when installing blower fan assembly
1	D510238P	Blower Housing Seal	
2	31260	Screw	
3	D511969WP	Blower Housing	Includes items 1 and 2; White
4	D511629P	Motor and Pulley Assembly	120 Volt/60 Hertz; Apply anti-seize compound to motor shaft when installing blower fan assembly; Includes items 7 and 8
5	D510180	Motor Mount Clamp	
6	D511255P	Cylinder Belt	
7	D500011	Motor Pulley	
8	590P3	Motor Hub Ring Kit	
9	D503688	Screw	
10	D510139P	Blower Fan Assembly	Apply anti-seize compound to motor shaft when installing blower fan assembly
11	D510185	Idler Spring	
12	56156	Nut	
13	D516310	Idler Lever	
14	56461P	Shaft	
15	52549	Washer	
16	D510142P	Idler Wheel and Bearing Assembly	
17	23748	Retaining Ring	
18	D516792	Idler Lever and Wheel Assembly	Includes items 12-17
19	D500824	Screw	
20	D516391	Switch	Starting Serial No. 1903000001
21	D516311	Motor Switch Bracket	Starting Serial No. 1903000001
22	52566	Nut	
23	D510060	Motor Mount	
24	D510523	Thermistor Assembly	Black
25	D502535	Screw	
26	D510717P	Blower and Fan Kit	Includes items 1-5 and 7-21

# Front Bulkhead, Felt Seal and Cylinder

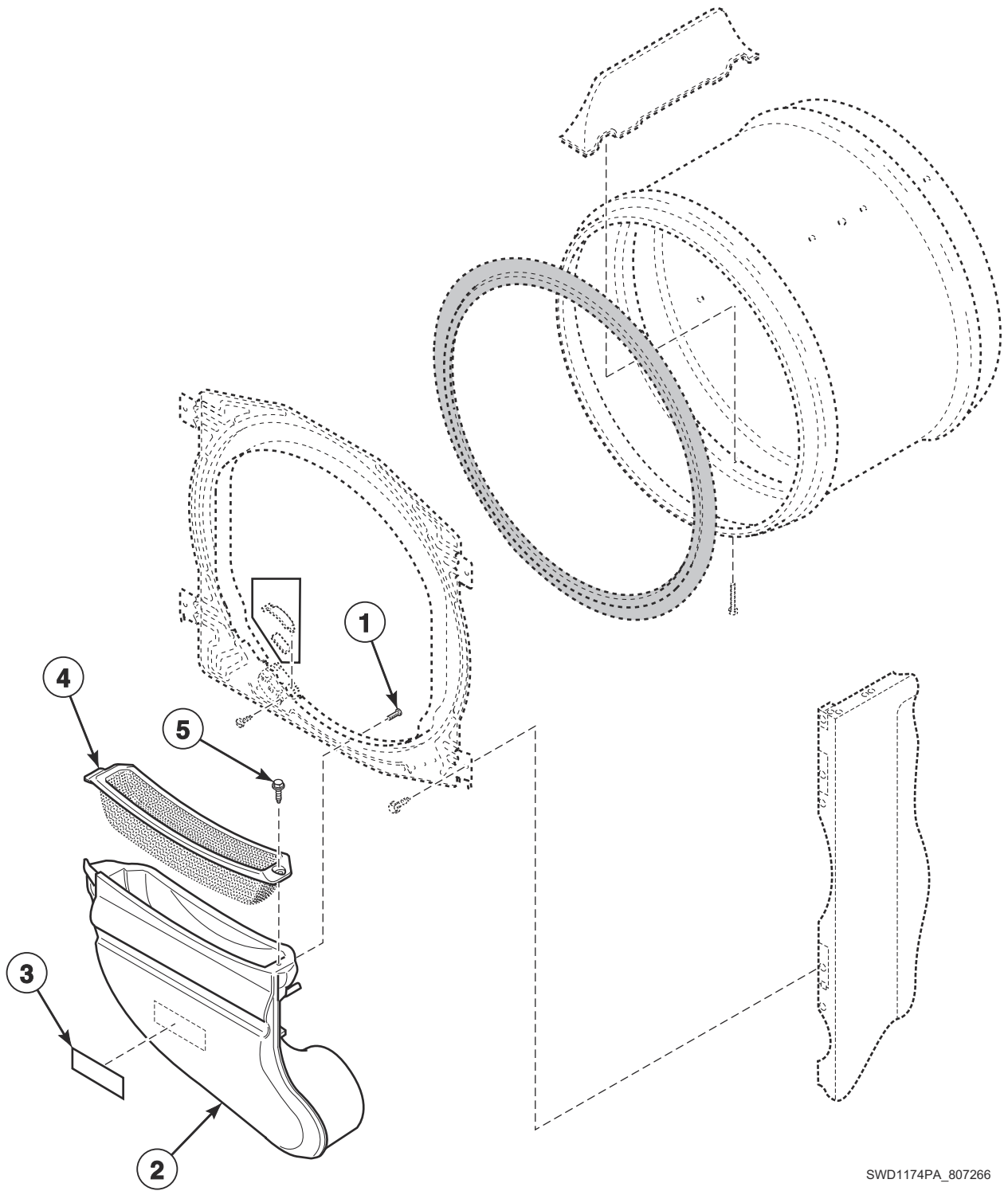


SWD1174P\_807266

## Front Bulkhead, Felt Seal and Cylinder

REF	PART NO.	DESCRIPTION	COMMENTS
1	D510266P	Front Bulkhead Assembly	Unpainted; Includes item 2
2	D510207P	Cylinder Seal Assembly	
	D511637P	Adhesive	For cylinder seal
	RB170001	Seal Kit	Includes 2 cylinder seals, D510238P Blower Housing Seal and Adhesive
3	D510102LG	Cylinder Baffle	Models STENYASP175TN01 and STGNYASP115TN01
	D510102W	Cylinder Baffle	All other models
4	D510265LGP	Cylinder Assembly	Models STENYASP175TN01 and STGNYASP115TN01; Galvanized; Includes item 3
	D510265WP	Cylinder Assembly	All other models; Galvanized; Includes item 3
5	62588	Screw	
6	D513710	Cylinder Glide	
7	D510145	Cylinder Glide Bracket	
8	D503688	Screw	
9	D510189	Felt Pad	
10	RB170003	Glide Kit	Includes items 6 and 7

# Air Duct Assembly

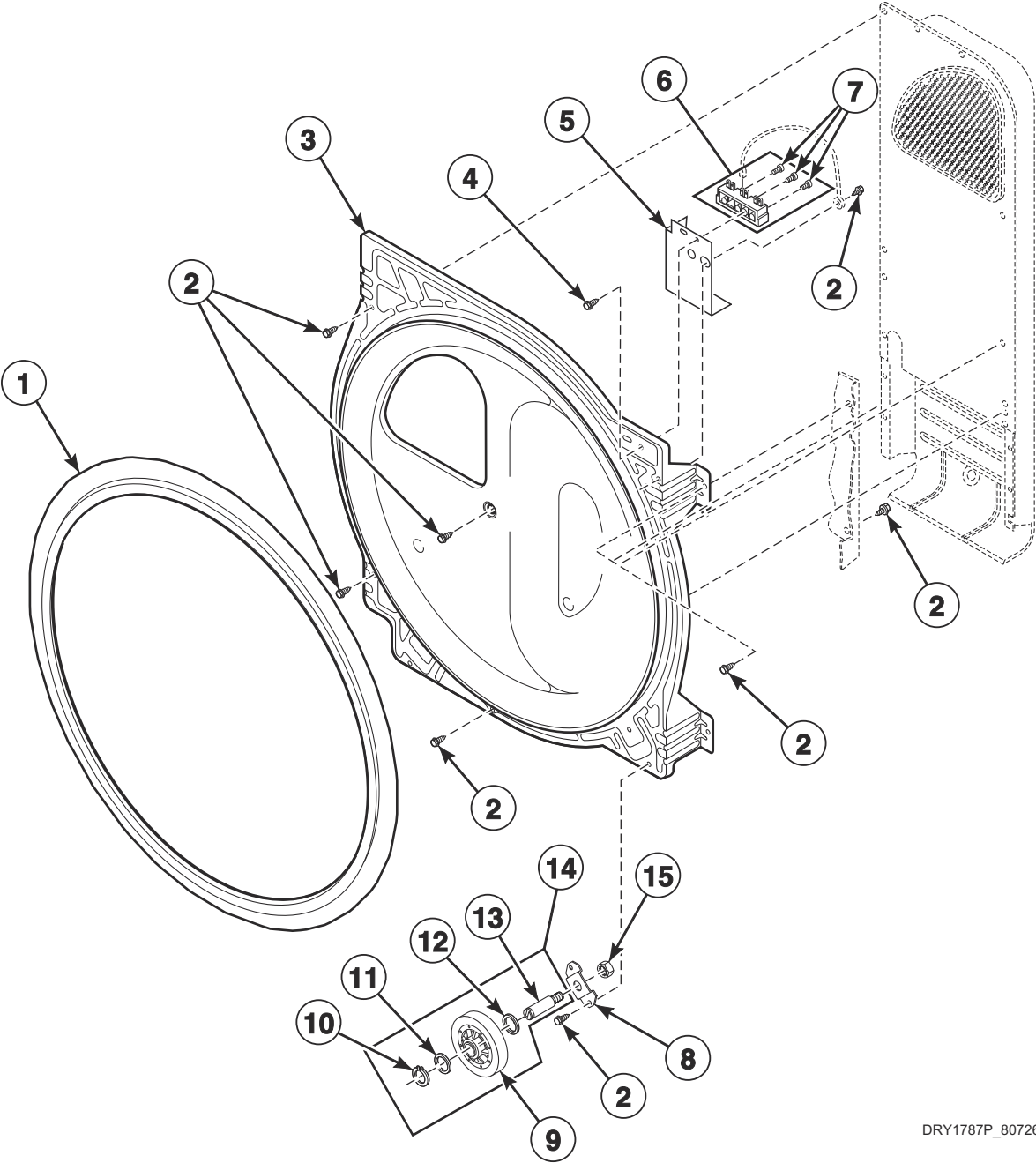


SWD1174PA\_807266

# Air Duct Assembly

REF	PART NO.	DESCRIPTION	COMMENTS
1	52864	Screw	
2	D518433	Air Duct Assembly	
3	61294	Fuse Notice Label	Electric
4	D503980LG	Lint Filter	Models STENYASP175TN01 and STGNYASP115TN01
	D503980W	Lint Filter	All other models
5	D501285	Screw	

# Rear Bulkhead, Felt Seal, Cylinder Roller and Terminal Block



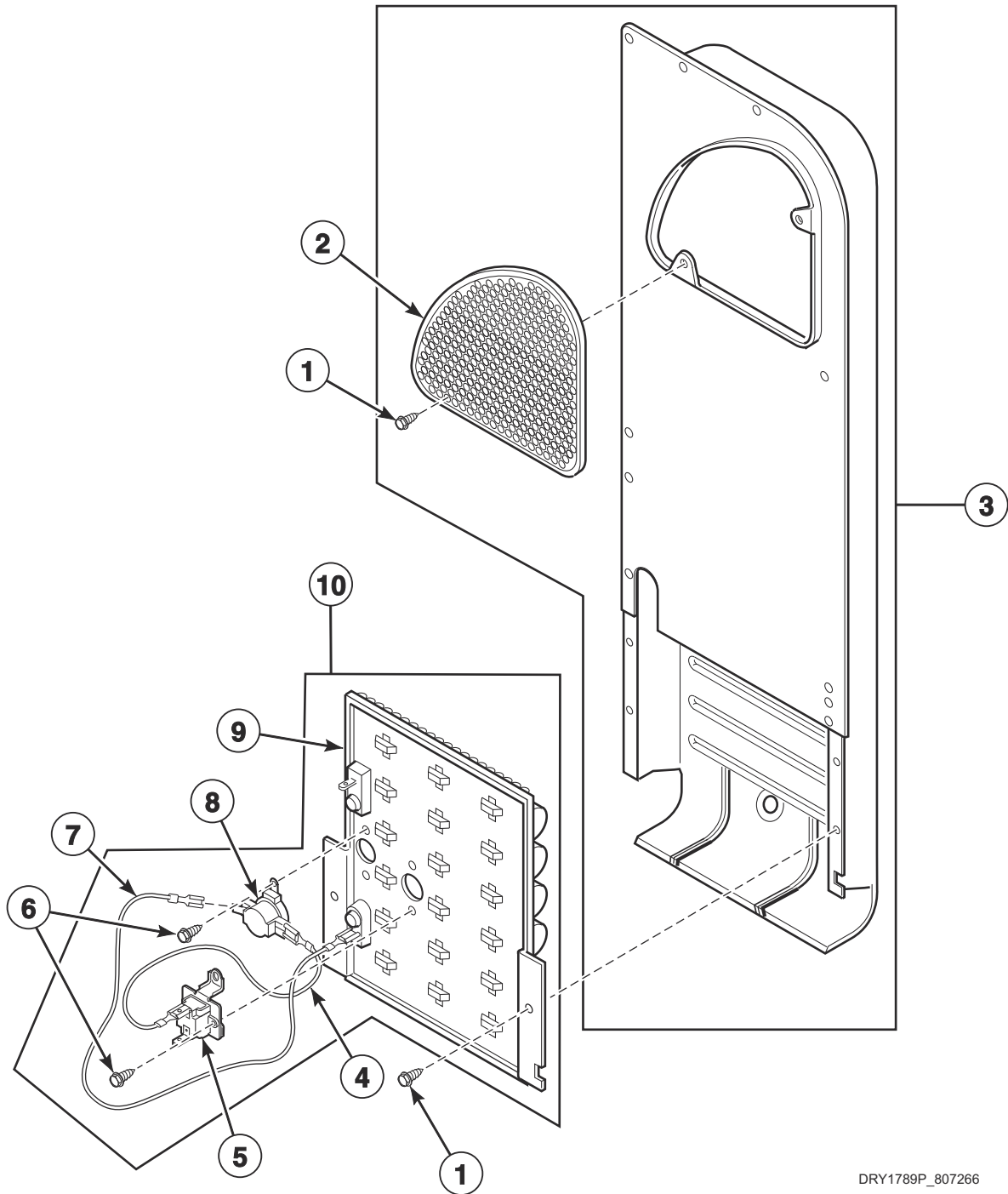
DRY1787P\_807266

## Rear Bulkhead, Felt Seal, Cylinder Roller and Terminal Block

REF	PART NO.	DESCRIPTION	COMMENTS
1	D510207P	Cylinder Seal Assembly	
	D511637P	Adhesive	Apply to cylinder seal
	RB170001	Seal Kit	Includes 2 cylinder seals, blower housing seal and adhesive
2	D503688	Screw	
3	D511082P	Rear Bulkhead Assembly	Includes item 1
	D510905WP	Rear Bulkhead Assembly	White; Includes item 1; If black marks appear on clothes, replace rear bulkhead with this part, cylinder with D510159WP Cylinder Assembly and front bulkhead with D505899WP Bulkhead Assembly
4	D501285	Screw	Electric models
5	D510237	Terminal Block Shield	Electric models; Through Serial No. 1903000001
6	D510190P	Terminal Block Assembly	Includes 3 of item 7; Electric models
7	61199	Screw	Electric models
8	D510100	Cylinder Roller Bracket	
9	D510708P	Cylinder Roller	
10	23748	Retaining Ring	
11	52549	Washer	
12	D504082	Washer	
13	56461P	Shaft	
14	RB170002	Roller Kit	Includes 2 each of items 9-13
15	56156	Nut	

# Heater Duct and Element Assembly

Electric Models



DRY1789P\_807266

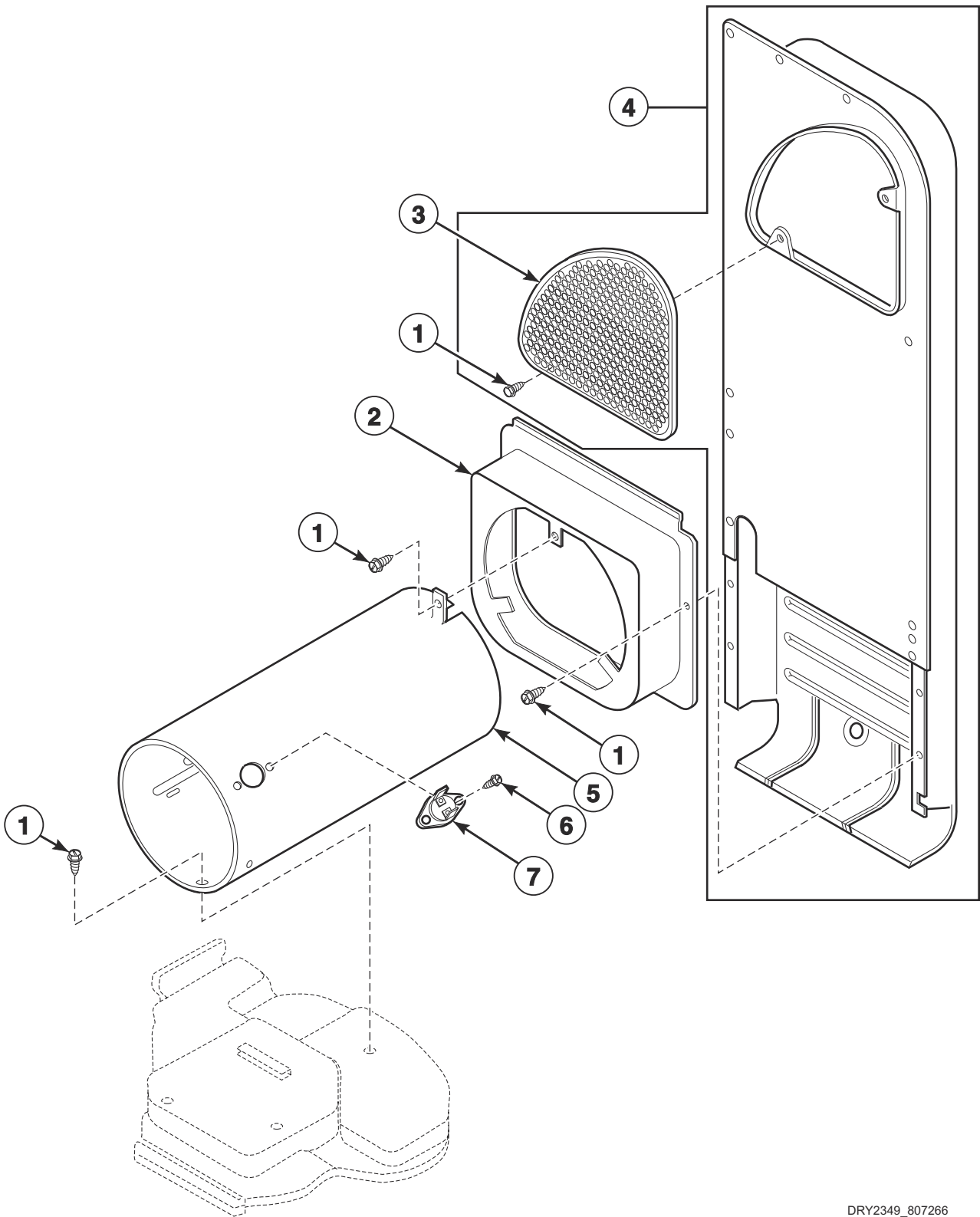


## Heater Duct and Element Assembly

REF	PART NO.	DESCRIPTION	COMMENTS
1	D503688	Screw	
2	D500820	Outlet Cover	
3	D510025P	Heater Duct Assembly	Includes item 2
4	D518256	Wire Assembly	Orange; Thermostat jumper
5	D518542	Thermal Fuse Assembly	
6	23222	Screw	
7	D518255	Wire Assembly	Black; Fuse jumper
8	D510701	Limit Thermostat	
9	D510324P	Heater Assembly	5000 Watt; 240 Volt/60 Hertz; Models HTENXASP285CW01, HTENYASP285CW01, PTEJEASP285CG01, PTEJXASP285CG01, STENEASP285CW01, STENXASP285CW01, STENYASP285CW01 and STEWXASP285CW01
	D510330P	Heater Assembly	4250 Watt; 208 Volt/60 Hertz; Models HTENXASP295CW01, HTENYASP295CW01, STENEASP295CW01, STENXASP295CW01, STENYASP295CW01 and STEWXASP295CW01
	D510329P	Heater Assembly	5350 Watt; 240 Volt/60 Hertz; All other models
10	965P3	Heater Kit	Includes items 4-9; 4250 Watt; 208 Volt/60 Hertz; Models HTENXASP295CW01, HTENYASP295CW01, STENEASP295CW01, STENXASP295CW01, STENYASP295CW01 and STEWXASP295CW01
	61927	Heater Kit Assembly	Includes items 4-9; 5000 Watt; 240 Volt/60 Hertz; Models HTENXASP285CW01, HTENYASP285CW01, PTEJEASP285CG01, PTEJXASP285CG01, STENEASP285CW01, STENXASP285CW01, STENYASP285CW01 and STEWXASP285CW01
	61928	Heater Kit Assembly	Includes items 4-9; 4750 Watt; 208 Volt/60 Hertz; Optional conversion; All other models
	964P3	Heater Kit	Includes items 4-9; 5350 Watt; 240 Volt/60 Hertz; Includes factory-installed heater; All other models

# Heater Duct Assembly

Gas Models

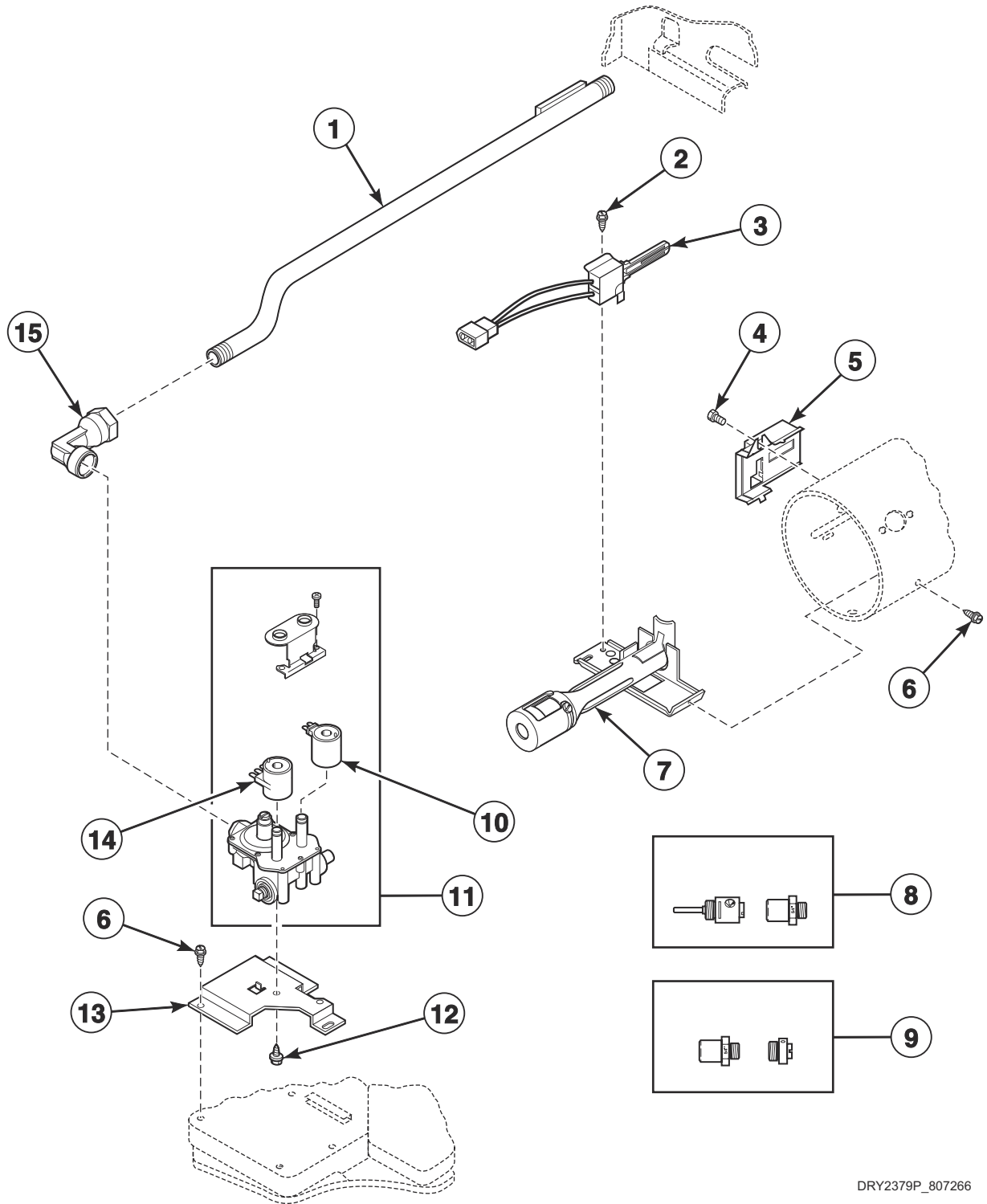


DRY2349\_807266

# Heater Duct Assembly

REF	PART NO.	DESCRIPTION	COMMENTS
1	D503688	Screw	
2	D510101	Heat Duct Shroud	
3	D500820	Outlet Cover	Aluminized steel
	D518524	Outlet Cover	Black; Nitrocarburized
4	D510025P	Heater Duct Assembly	Includes items 1 and 3
5	D510131	Combustion Duct	
6	51782	Screw	
7	D510702	Limit Thermostat	Black; Auto reset

# Gas Valve, Igniter and Gas Conversion Kits - Gas Model Dryers Through Serial No. 190800001

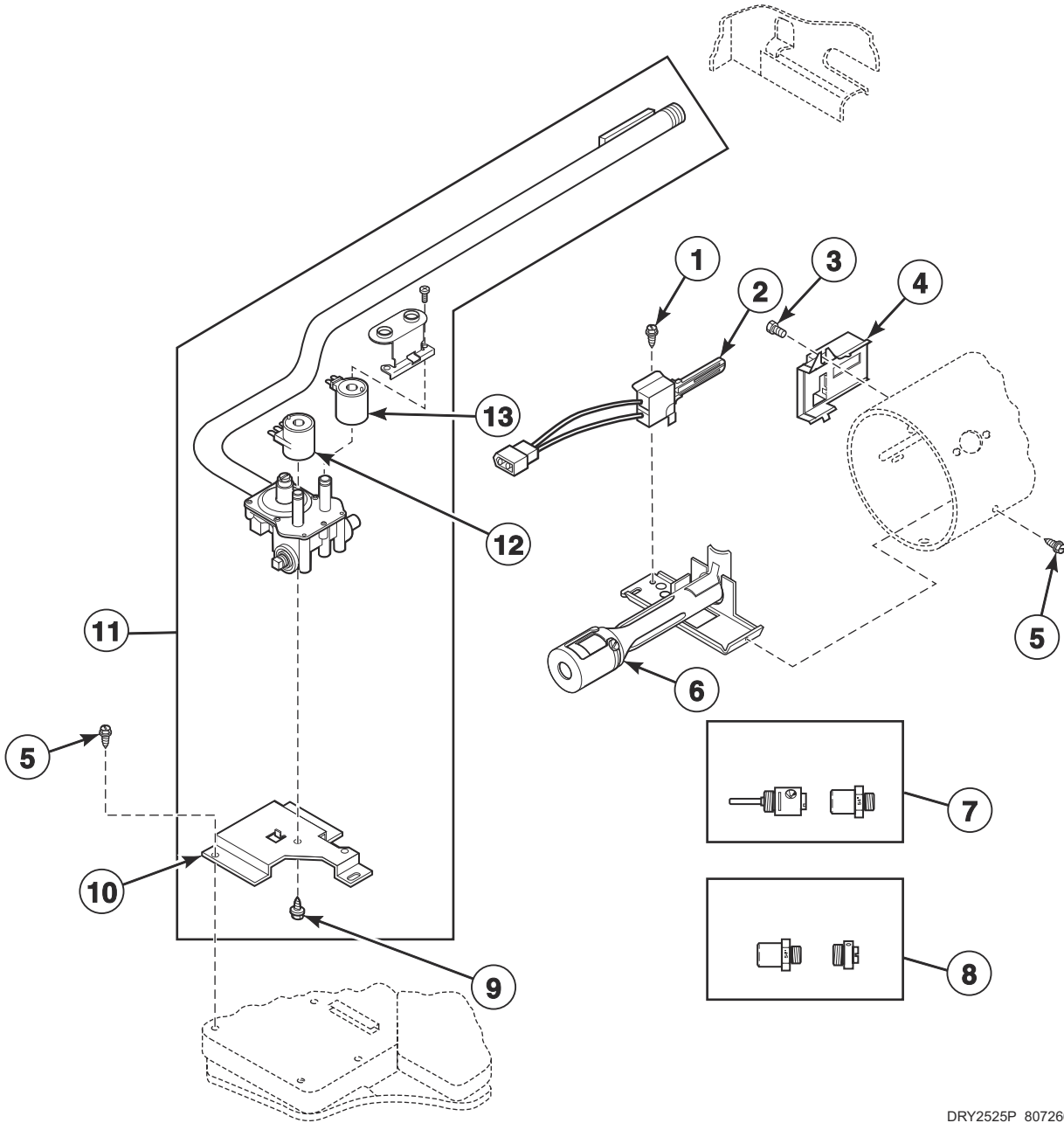


DRY2379P\_807266

## Gas Valve, Igniter and Gas Conversion Kits - Gas Model Dryers Through Serial No. 1908000001

REF	PART NO.	DESCRIPTION	COMMENTS
1	D510204	Lead-In Pipe Assembly	
2	51782	Screw	
3	D510184P	Igniter and Bracket Assembly	
4	23222	Screw	
5	D510213	Sensor	
6	D503688	Screw	
7	D510149P	Burner Assembly	
8	458P3	L.P. Conversion Kit	Used to convert dryers from Natural Gas (N.G.) or Mixed Gas to Liquid Petroleum Gas (L.P.); 25,000 Btu
9	459P3	N.G. Conversion Kit	Used to convert dryers from L.P. to N.G. or Mixed Gas; 25,000 Btu
10	58804B	Secondary Coil	
11	60353P	Gas Valve Assembly	60 Hertz; 25,000 Btu; N.G.; Includes items 10 and 14
12	56124	Screw	
13	D510128	Gas Valve Mounting Bracket	
14	58804A	Booster and Holding Coil	
15	D513072	Elbow	

# Gas Valve, Igniter and Gas Conversion Kits - Gas Model Dryers Starting Serial No. 1908000001



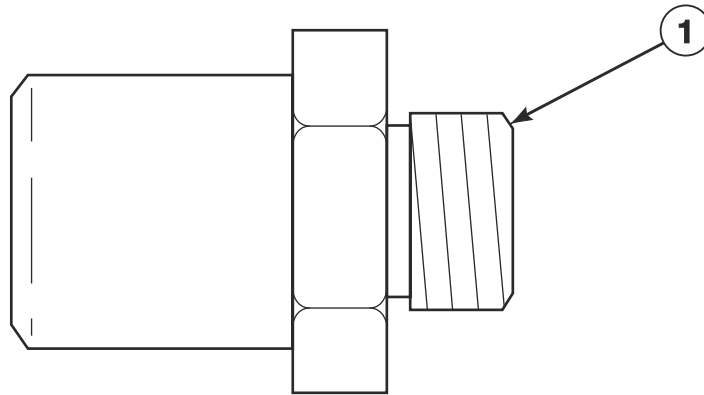
DRY2525P\_807266

## Gas Valve, Igniter and Gas Conversion Kits - Gas Model Dryers Starting Serial No. 1908000001

REF	PART NO.	DESCRIPTION	COMMENTS
1	51782	Screw	
2	D510184P	Igniter and Bracket Assembly	
3	23222	Screw	
4	D510213	Sensor	
5	D503688	Screw	
6	D510149P	Burner Assembly	
7	458P3	L.P. Conversion Kit	Used to convert dryers from Natural Gas (N.G.) or Mixed Gas to Liquid Petroleum Gas (L.P.); 25,000 Btu
8	459P3	N.G. Conversion Kit	Used to convert dryers from L.P. to N.G. or Mixed Gas; 25,000 Btu
9	56124	Screw	
10	D510128	Gas Valve Mounting Bracket	
11	D517606	Gas Valve, Bracket and Pipe Assembly	60 Hertz; 25,000 Btu; N.G.; Includes items 9, 10, 12 and 13
12	58804A	Booster and Holding Coil	
13	58804B	Secondary Coil	

# Burner Orifice Spuds - For Higher Elevations

Gas Models



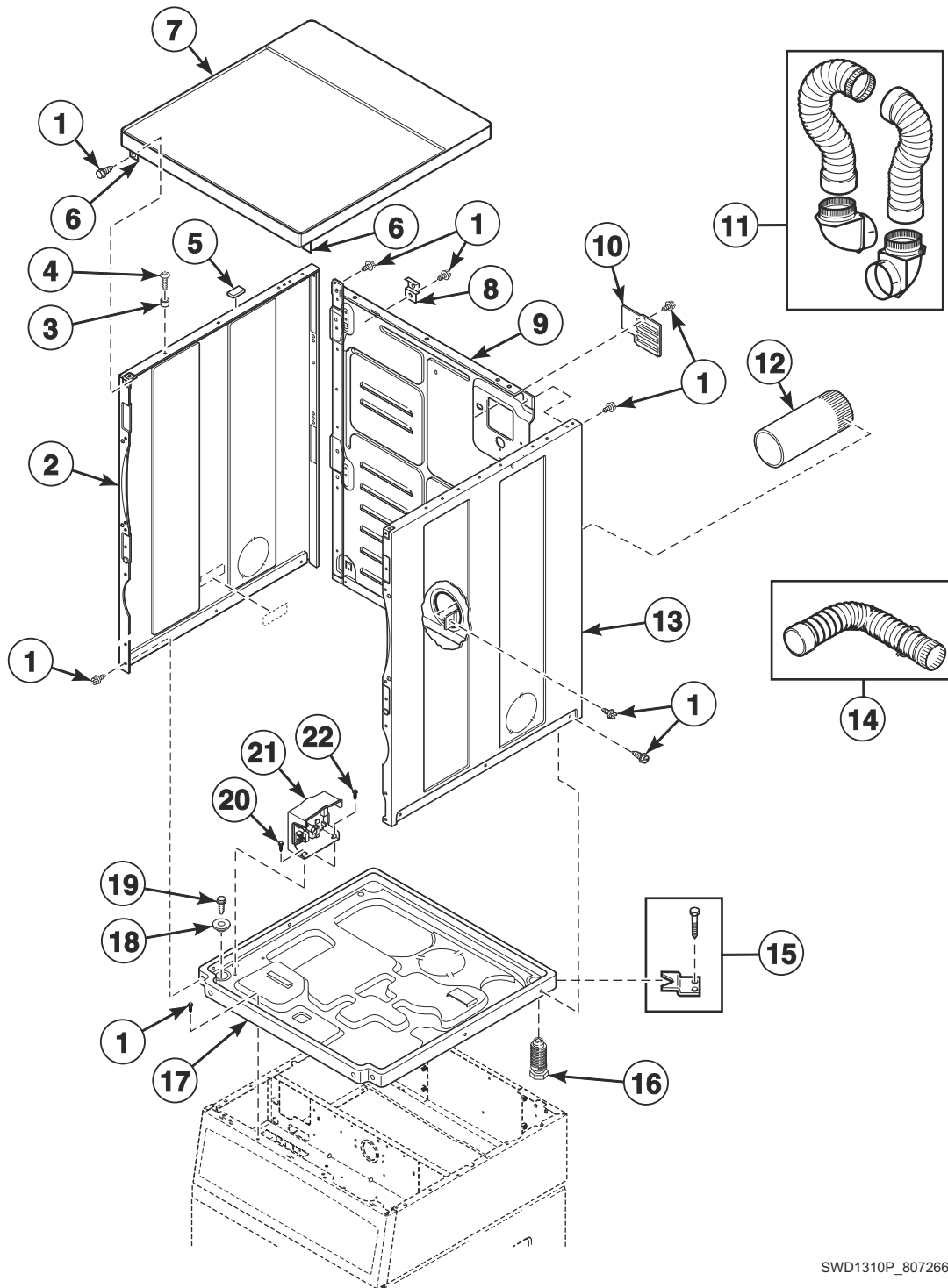
DRY2266P\_807266



## Burner Orifice Spuds - For Higher Elevations

REF	PART NO.	DESCRIPTION	COMMENTS
1	58755	L.P. Orifice	25,000 Btu; 7500-10,999 feet (2290-3354 m)
	D503786	L.P. Orifice	25,000 Btu; 11,000 feet (3355 m) and higher
	58719	Screw Orifice	Natural Gas (N.G.); 25,000 Btu; 7000-8999 feet (2135-2744 m)
	D503776	N.G. Orifice	25,000 Btu; 2000-2999 feet (610-914 m)
	D510517	N.G. Orifice	25,000 Btu; 3000-5499 feet (915-1679 m)
	D503778	N.G. Orifice	25,000 Btu; 5500-6999 feet (1680-2134 m)
	D503779	N.G. Orifice	25,000 Btu; 9000-10,499 feet (2745-3199 m)
	D503780	N.G. Orifice	25,000 Btu; 10,500 feet (3200 m) and higher

# Dryer Cabinet, Exhaust Duct and Base



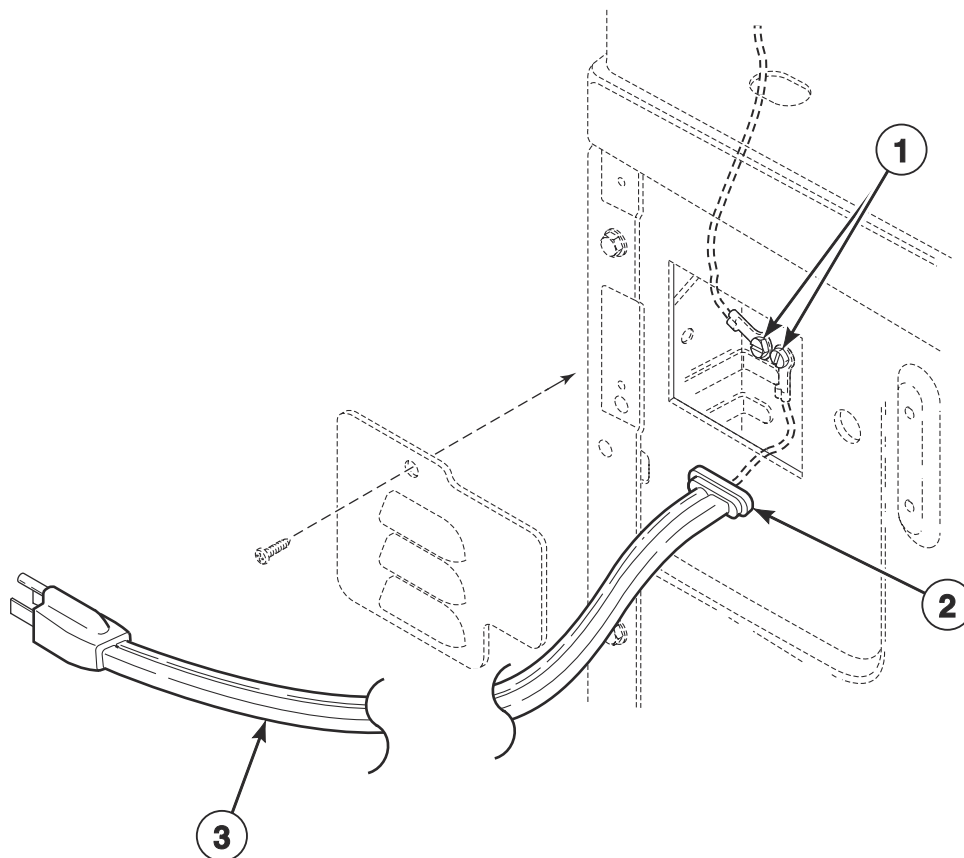
SWD1310P\_807266

## Dryer Cabinet, Exhaust Duct and Base

REF	PART NO.	DESCRIPTION	COMMENTS
	122P4P	Porcelain Touch-Up Paint	White
	806436P	Paint	Dark gray
1	D503688	Screw	
2	D510001WP	Cabinet Side Panel	Left; White
	D510001DGP	Cabinet Side Panel	Left; Dark gray
3	56079	Panel Locator	
4	39733	Screw	
5	56128	Bumper Pad	
6	D510146	Bracket	
7	D510032WP	Top Kit	White
	D510032DG	Top Panel	Dark gray
	803144P	Top Kit	Stainless steel
8	D510136	Top Hinge	
9	D514632P	Cabinet Rear Panel	Through Serial No. 1912999999
	D517566	Cabinet Rear Panel	Starting Serial No. 2001000001
10	D510903	Access Panel Plate	
11	521P3	Flexible Venting Kit	
12	D516196	Exhaust Duct	
13	D510002WP	Cabinet Side Panel	Right; White
	D510002DGP	Cabinet Side Panel	Right; Dark gray
14	528P3	Directional Exhaust Kit	Used to vent dryer out the sides
15	526P3	Hold Down Kit	For mobile home installations
16	D510135	Leveling Leg	
17	D514245	Dryer Base	
18	26509	Washer	
19	36048	Screw	
20	D514428	Screw	
21	D513797P	Output Control Assembly	Through Serial No. 1912999999
	D517191P	Output Control Assembly	Starting Serial No. 2001000001
22	804667	Screw	

# Dryer Lead-In Cord

Models HTGNXASP095CW01, PTGJCASP115TG01, PTGJCASP115TW01, PTGJEASP095CG01, PTGJXASP095CG01, PTGJXASP115TG01, STGNCASP115TW01, STGNCFSP115TW01, STGNEASP095CW01, STGNXASG115TW01, STGNXASP095CW01, STGNXASP115TW01, STGNXFSP115TW01, STGNYASP095CW01, STGNYASP115TN01, STGNYASP115TW01, STGNYFSP115TW01, STGWCASP115TW41, STGWCASP115TW41, STGWCFSP115TW41, STGWXASP095CW01, STGWXASP115TW01, STGWYASP115TW01, STGWYASP115TW41 and STGWYFSP115TW41

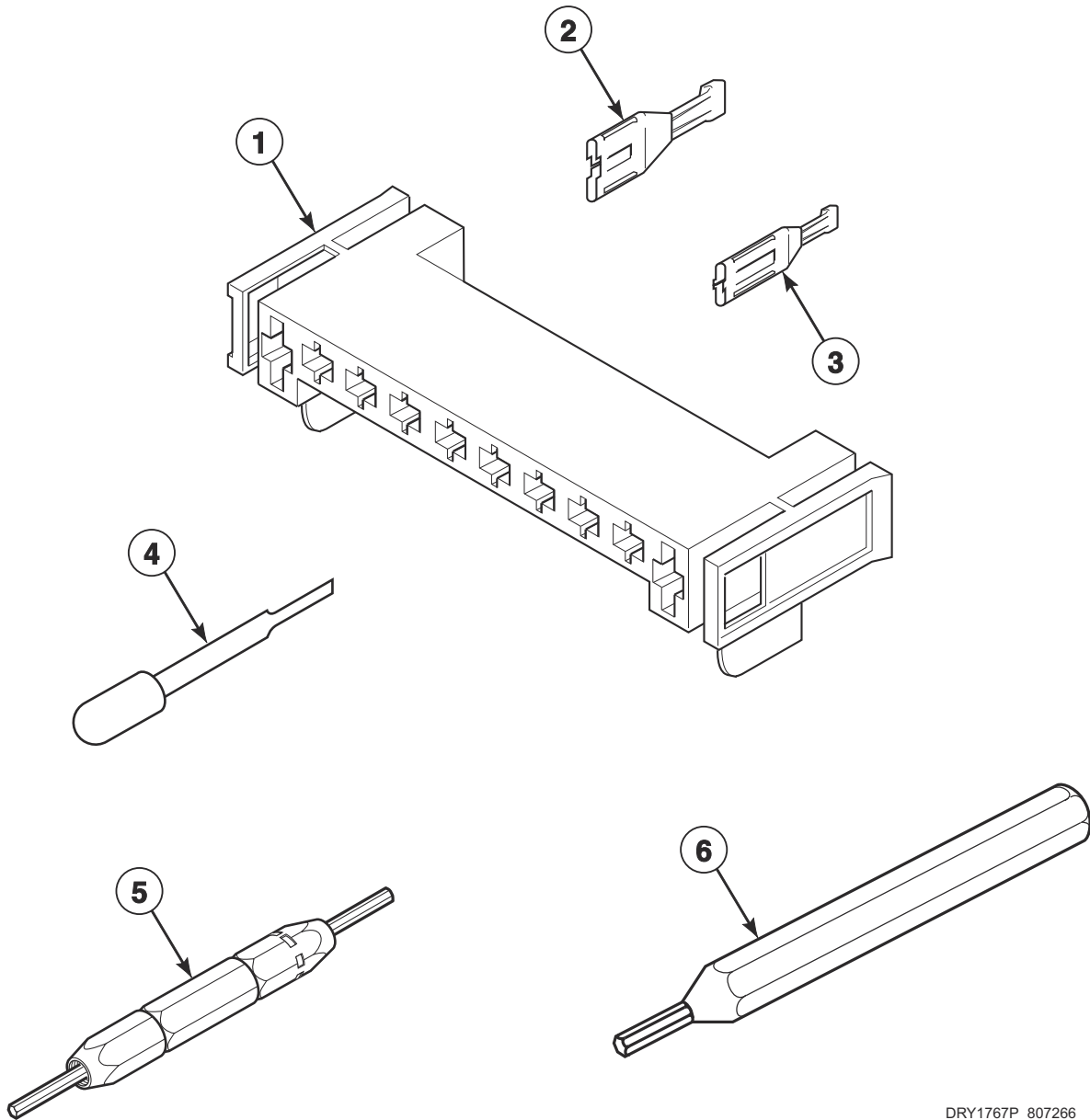


DRY1790P\_807266

# Dryer Lead-In Cord

REF	PART NO.	DESCRIPTION	COMMENTS
1	20530	Screw	
2	F140312	Connector	Models HTGNXASP095CW01, PTGJEASP095CG01, PTGJXASP095CG01, STGNEASP095CW01, STGNXASP095CW01, STGNYASP095CW01 and STGWXASP095CW01
	38384	Strain Relief	All other models
3	58992	Power Cord Assembly	Models HTGNXASP095CW01, PTGJEASP095CG01, PTGJXASP095CG01, STGNEASP095CW01, STGNXASP095CW01, STGNYASP095CW01 and STGWXASP095CW01
	202777	Lead-In Cord	All other models

# Dryer Terminals and Terminal Extractor Tools

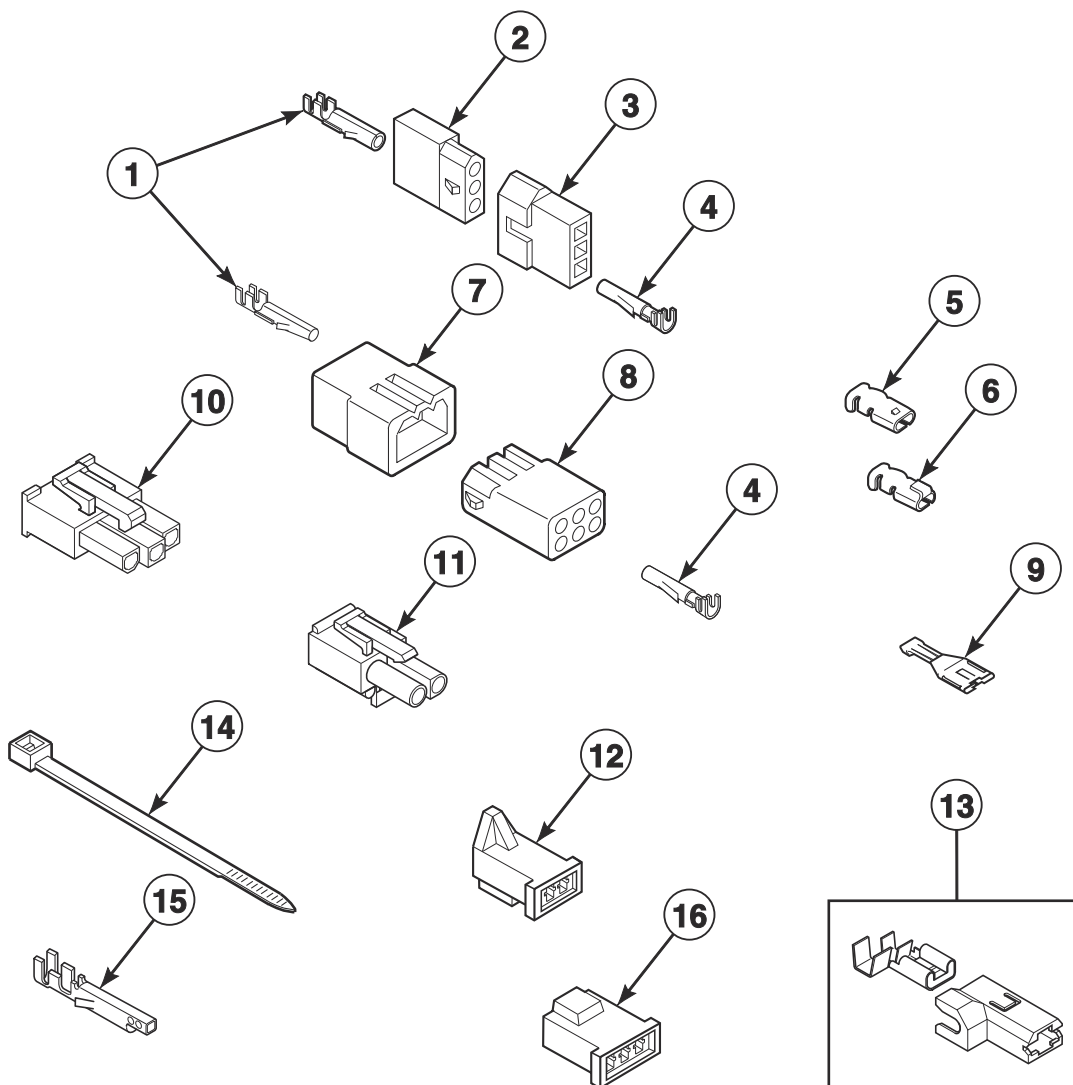


DRY1767P\_807266

## Dryer Terminals and Terminal Extractor Tools

REF	PART NO.	DESCRIPTION	COMMENTS
1	D500338	10 Position Housing	
2	00255	Female Terminal	1/4 inch; (1) 12 gauge wire; Electric models
	00256	Female Terminal	1/4 inch; (1) or (2) 18 gauge wires; Gas models
3	00188	Female Terminal	For 1 or 2 wire application
4	283P4	Terminal Extractor Tool	For use on Molex connectors
5	190P4	Extractor Tool	For use on electric dryer terminals; Electric models
6	128P4	Extractor Tool	For use on gas dryer terminals; Gas models

# Terminals



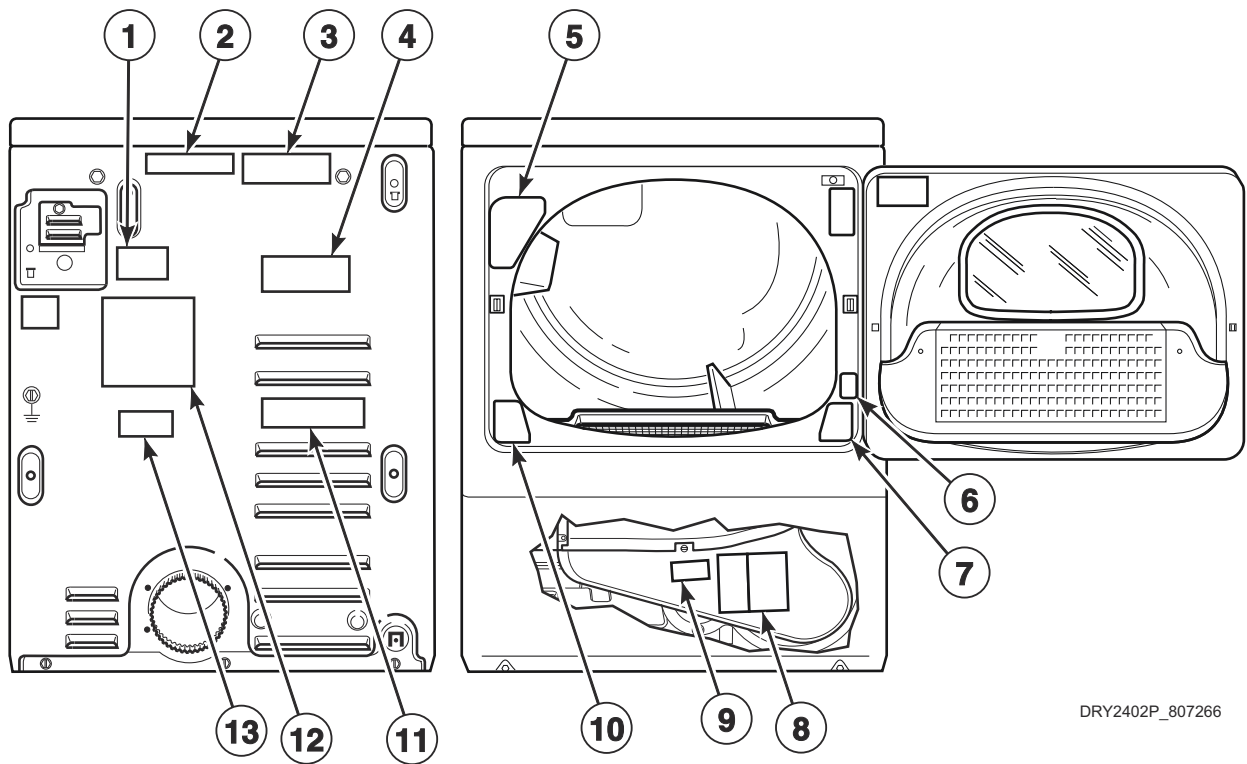
SWD1143P\_807266



# Terminals

REF	PART NO.	DESCRIPTION	COMMENTS
1	00117	Female Pin Terminal	
2	23039	3 Circuit Receptacle	
3	23040	Plug	
4	00116	Male Pin Terminal	
5	00189	Female Spade Terminal	Gas models
6	00361	Female Piggyback Terminal	Gas models
7	23033	9 Circuit Plug	
8	26708	6 Circuit Receptacle	
9	00256	Female Terminal	
10	36170	3 Circuit Receptacle	
11	D501223	2 Circuit Receptacle	
12	58799	2 Circuit Connector	Gas models
13	00221	Insulated Female Flag Terminal	
14	55881	Harness Strap	
15	00252	Terminal	
16	58800	3 Circuit Connector	Gas models

# Dryer Labels

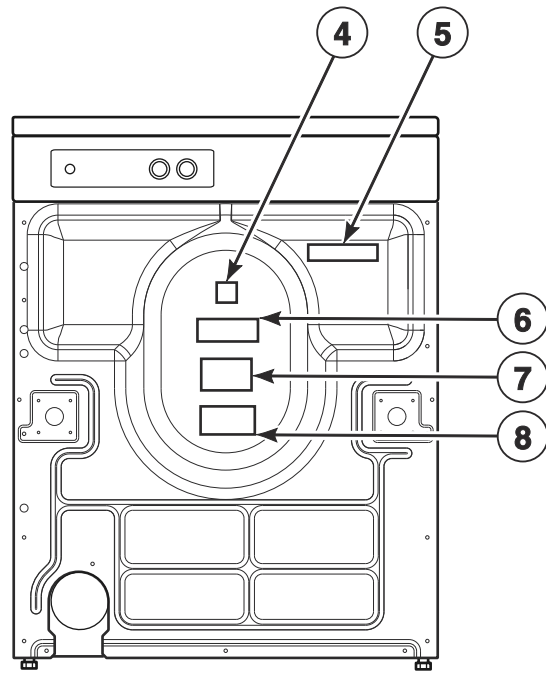
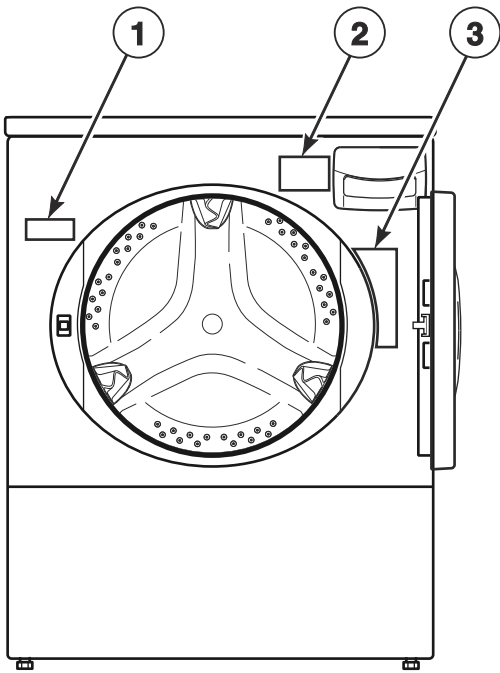


DRY2402P\_807266

## Dryer Labels

REF	PART NO.	DESCRIPTION	COMMENTS
1	803260	Warning Label	Turn off controls
2	D505281	Disconnect Power Warning Label	Text; English
	D500316	Warning Label	English/French; Disconnect power
3	44324001	Warning Label	Text; Electric shock
4	D502791	Venting Instruction Label	
5	D500281	Warning/Caution Label	
	D516243	Warning Label	Quebec French
6	D500240	Natural/L.P. Gas Label	English/Quebec French; Natural gas
7	D512263	Warning Label	
8	D511004	Gas Clearance Label	
	D513341	Clearance Label	
9	D500049	Warning Label	Text; Electric shock, rotating parts
	F8211201	Electrical Shock Label	Icon; Electric shock
	F8615701	Pinch Warning Label	Icon; Crush hazard
10	D502781	Lint Filter Label	Icon
11	D505215	Gas Label	Text; Stainless steel flexible gas line
12	D511005	Electric Clearance Label	
13	D500497	Exhaust Warning Label	Text
	D502507	Exhaust Warning Label	Icon
	D502508	Warning Label	Icon; Fire

# Washer Labels

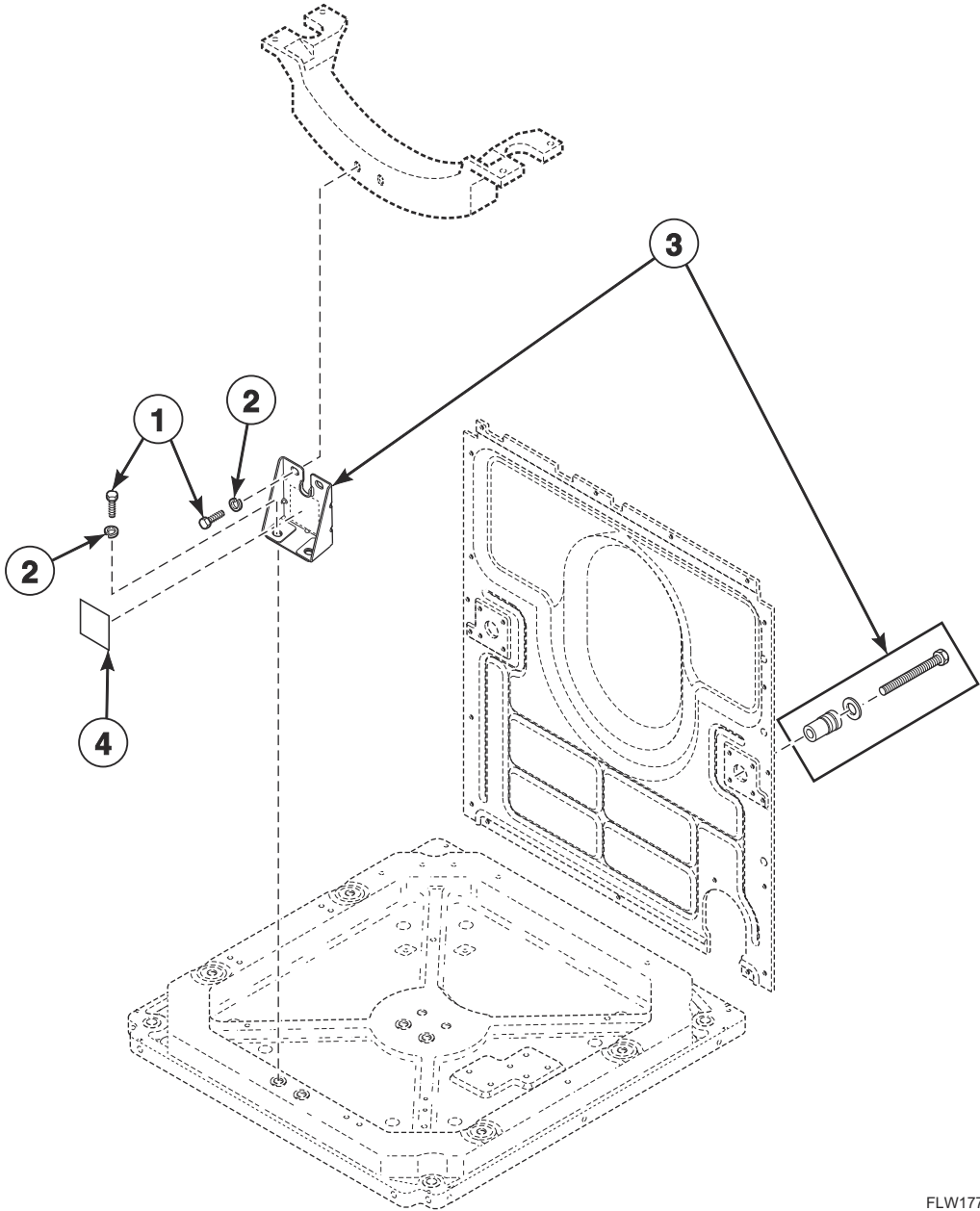


FLW1722P\_807266

## Washer Labels

REF	PART NO.	DESCRIPTION	COMMENTS
1	803011	Notice Label	
2	802074	Oversudsing Label	English
	802838	Oversudsing Label	Spanish
	802839	Oversudsing Label	Quebec French
3	802367	Warning Label	English; Reduce fire risk; Door locked
	806591	Warning Label	English/Quebec French; Reduce fire risk; Door locked
4	D516073	Notice Label	
5	D505281	Disconnect Power Warning Label	English
	801706	Caution Label	Icon; Ground machine
	D500316	Warning Label	English/French; Disconnect power
6	685928	Left Hand Thread Label	Text; Left hand thread
	804949	Left Hand Thread Label	Icon; Left hand thread
7	803260	Warning Label	Disconnect power
	F8211201	Electrical Shock Label	Icon; Electric shock
8	D500314	Warning Label	English/French
	F8615701	Pinch Warning Label	Icon; Crush hazard

# Shipping Materials

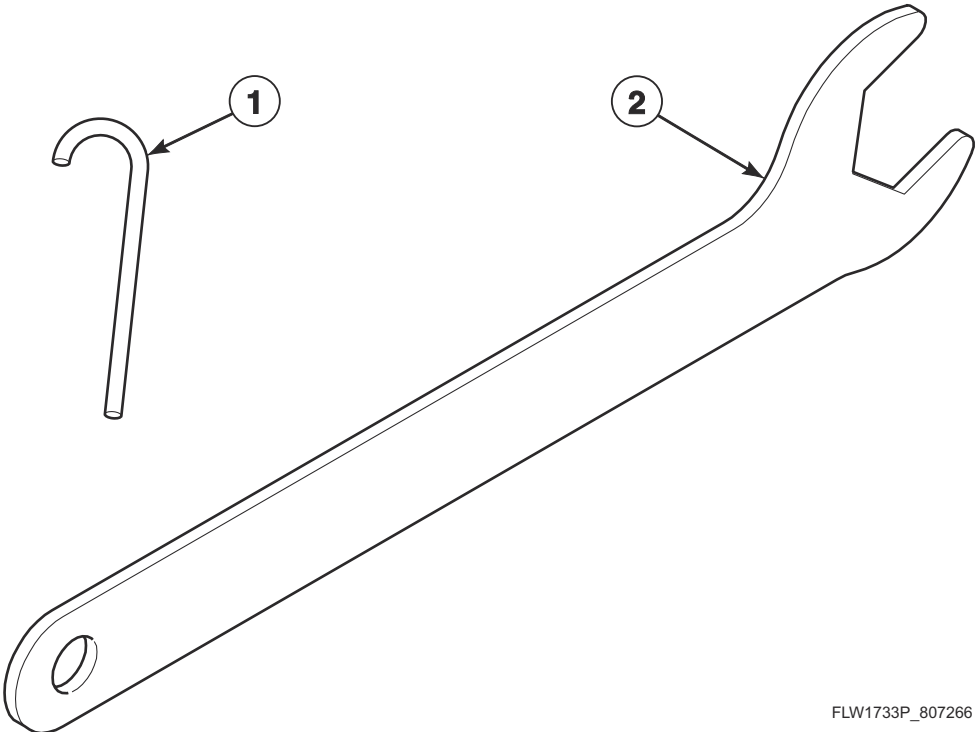


FLW1779P\_807266

# Shipping Materials

REF	PART NO.	DESCRIPTION	COMMENTS
1	M400043	Screw	
2	M400014	Washer	
3	805729	Shipping Materials Kit	Includes shipping brace, shipping spacer assembly and labels
4	686901	Shipping Bracket Label	

# Special Tools



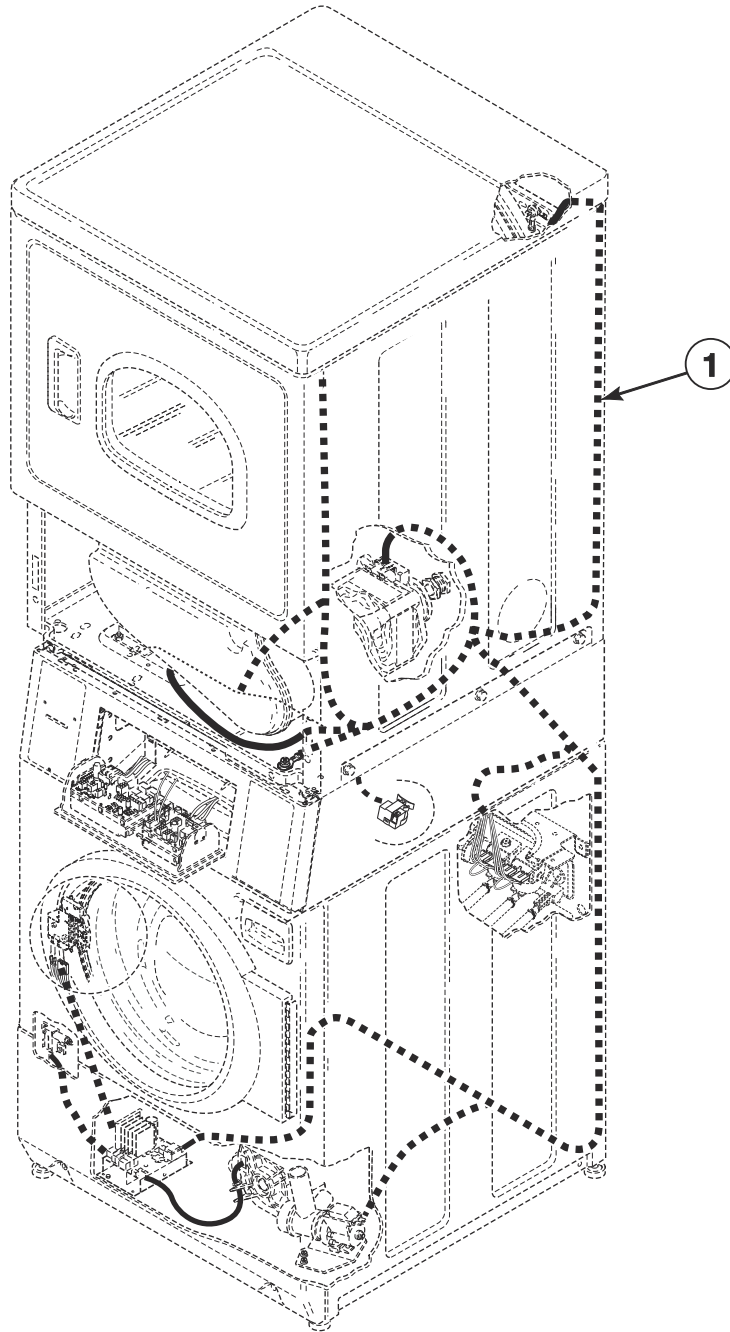
FLW1733P\_807266



# Special Tools

REF	PART NO.	DESCRIPTION	COMMENTS
1	802336	Pulley Bolt Tightening Fixture	Use to install inner basket
2	392P4	Wrench	Use for adjusting leveling leg nuts

# Wire Harnesses and Wires (Drawing 1 of 2)



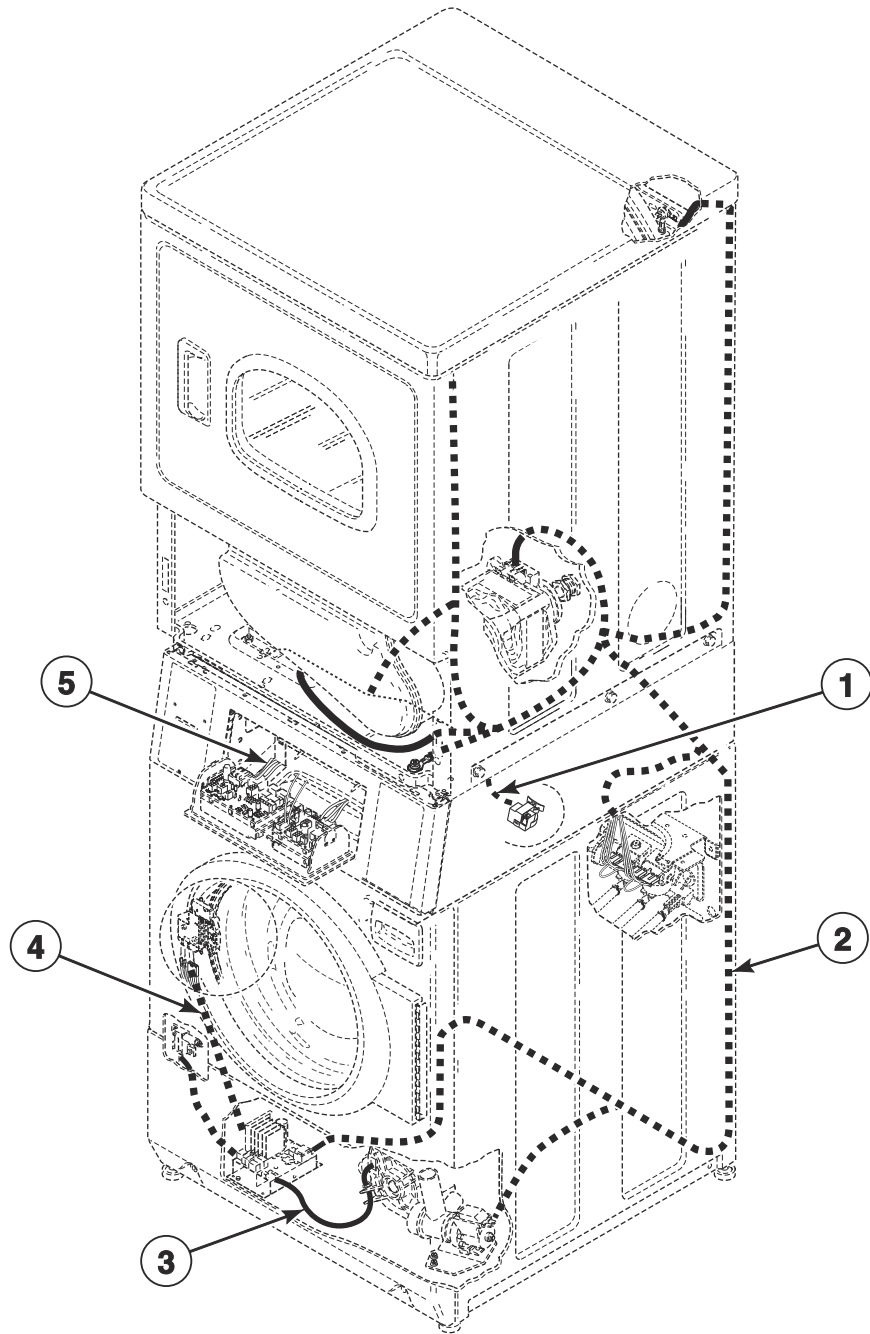
SWD1295P\_807266

## Wire Harnesses and Wires (Drawing 1 of 2)

REF	PART NO.	DESCRIPTION	COMMENTS
	45001	18 Gauge Wire	Black; Order wire by foot and terminals as required
	45380	12 Gauge Wire	Orange; Order wire by foot and terminals as required
	D517236	Broken Belt Harness	Starting Serial No. 1903000001 and continuing through Serial No. 1912999999
	D516367	Gas Valve Harness	Starting Serial No. 1903000001
	805684	Harness	Main harness to dryer base; Models HTENXASP285CW01, HTENXASP295CW01, HTENYASP285CW01, HTENYASP295CW01, HTGNXASP095CW01, PTEJEASP285CG01, PTEJXASP285CG01, PTGJEASP095CG01, PTGJXASP095CG01, STENEASP285CW01, STENEASP295CW01, STENXASP285CW01, STENXASP295CW01, STENYASP285CW01, STENYASP295CW01, STEWXASP285CW01, STEWXASP295CW01, STGNEASP095CW01, STGNXASP095CW01, STGNYASP095CW01 and STGWXASP095CW01
	D514044	Power Harness	Models HTENXASP285CW01, HTENXASP295CW01, HTENYASP285CW01, HTENYASP295CW01, PTEJEASP285CG01, PTEJXASP285CG01, STENEASP285CW01, STENEASP295CW01, STENXASP285CW01, STENXASP295CW01, STENYASP285CW01, STENYASP295CW01, STEWXASP285CW01 and STEWXASP295CW01
	D514083	Gas Power Harness	Models HTGNXASP095CW01, PTGJEASP095CG01, PTGJXASP095CG01, STGNEASP095CW01, STGNXASP095CW01, STGNYASP095CW01 and STGWXASP095CW01
1	D513968	Upper Electric Harness	Models HTENXASP285CW01, HTENXASP295CW01, HTENYASP285CW01, HTENYASP295CW01, PTEJCASP175TG01, PTEJCASP175TW01, PTEJEASP285CG01, PTEJXASP175TG01, PTEJXASP285CG01, STENCASP175TW01, STENCFSP175TW01, STENEASP285CW01, STENEASP295CW01, STENXASP175TW01, STENXASP285CW01, STENXASP295CW01, STENXFSP175TW01, STENYASP175TN01, STENYASP175TW01, STENYASP285CW01, STENYASP295CW01, STENYFSP175TW01, STEWCASP175TW41, STEWCFSP175TW41, STEWXASP175TW01, STEWXASP285CW01, STEWXASP295CW01, STEWYASP175TW01, STEWYASP175TW41 and STEWYFSP175TW41 through Serial No. 1902999999
	D516756	Upper Electric Harness	Models HTENXASP285CW01, HTENXASP295CW01, HTENYASP285CW01, HTENYASP295CW01, PTEJCASP175TG01, PTEJCASP175TW01, PTEJEASP285CG01, PTEJXASP175TG01, PTEJXASP285CG01, STENCASP175TW01, STENCFSP175TW01, STENEASP285CW01, STENEASP295CW01, STENXASP175TW01, STENXASP285CW01, STENXASP295CW01, STENXFSP175TW01, STENYASP175TN01, STENYASP175TW01, STENYASP285CW01, STENYASP295CW01, STENYFSP175TW01, STEWCASP175TW41, STEWCFSP175TW41, STEWXASP175TW01, STEWXASP285CW01, STEWXASP295CW01, STEWYASP175TW01, STEWYASP175TW41 and STEWYFSP175TW41 starting Serial No. 1903000001 and continuing through Serial No. 1912999999
	D517476	Upper Electric Harness	Models HTENXASP285CW01, HTENXASP295CW01, HTENYASP285CW01, HTENYASP295CW01, PTEJCASP175TG01, PTEJCASP175TW01, PTEJEASP285CG01, PTEJXASP175TG01, PTEJXASP285CG01, STENCASP175TW01, STENCFSP175TW01, STENEASP285CW01, STENEASP295CW01, STENXASP175TW01, STENXASP285CW01, STENXASP295CW01, STENXFSP175TW01, STENYASP175TN01, STENYASP175TW01, STENYASP285CW01, STENYASP295CW01, STENYFSP175TW01, STEWCASP175TW41, STEWCFSP175TW41, STEWXASP175TW01, STEWXASP285CW01, STEWXASP295CW01, STEWYASP175TW01, STEWYASP175TW41 and STEWYFSP175TW41 starting Serial No. 2001000001
	D517094	Upper Gas Harness	All other models through Serial No. 1902999999
	D516753	Upper Gas Harness	All other models starting Serial No. 1903000001 and continuing through Serial No. 1912999999
	D517477	Gas Harness	All other models starting Serial No. 2001000001

**NOTE: Individual wires are not available separately. Order complete harness, or order wire by the foot. When applying terminals to wires, it is recommended that the terminals be soldered to the wires.**

# Wire Harnesses and Wires (Drawing 2 of 2)



SWD1295PA\_807266

## Wire Harnesses and Wires (Drawing 2 of 2)

REF	PART NO.	DESCRIPTION	COMMENTS
	807298	Power Harness	Starting Serial No. 2101000001
1	804433	Pressure Sensor Harness	
2	806031	Front Control Harness	Through Serial No. 2012999999
	807346	Front Control Harness	Starting Serial No. 2101000001
3	806029	Motor Harness	Through Serial No. 2012999999
	807294	Motor Harness	Starting Serial No. 2101000001
4	806028	Door Lock Harness Assembly	Through Serial No. 2012999999
	807293	Door Lock Harness Assembly	Starting Serial No. 2101000001
5	D513991	Security Cabinet Harness	

**NOTE: Individual wires are not available separately. Order complete harness, or order wire by the foot. When applying terminals to wires, it is recommended that the terminals be soldered to the wires.**



# Parts Index

## A

Access Panel Assembly	
D514250DG .....	53
D514250WP .....	53
D514251 .....	53
804617DGP .....	27
804617W .....	27
804618 .....	27
Access Panel Plate	
D510903 .....	73
Adhesive	
D511637P .....	57, 61
Air Duct Assembly	
D518433 .....	59
Anchor	
155P3 .....	45
Anchor Floor Mount Assembly	
802844P .....	45
Anti-Seize Compound	
27604P .....	37, 55

## B

Backflow Preventer	
800310 .....	43
Balance Ring Assembly	
804393 .....	37
Base Assembly	
803876 .....	45
Bearing Housing Kit	
805525 .....	37
Bearing Kit	
805730 .....	37
Belt	
807429P .....	39
Blower and Fan Kit	
D510717P .....	55
Blower Fan Assembly	
D510139P .....	55
Blower Housing	
D511969WP .....	55
Blower Housing Seal	
D510238P .....	55
Bolt	
29651 .....	15
Booster and Holding Coil	
58804A .....	67, 69
Bracket	
D510146 .....	73
Broken Belt Harness	
D517236 .....	89
Bumper Pad	
36226 .....	45
56128 .....	73
Burner Assembly	
D510149P .....	67, 69

## C

Cabinet Panel Kit	
800004WP .....	45
Cabinet Rear Panel	
D514632P .....	73
D517566 .....	73
Cabinet Side Panel	
D510001DGP .....	73
D510001WP .....	73
D510002DGP .....	73
D510002WP .....	73
800004DG .....	45
800005DG .....	45
802525P .....	45
802526P .....	45
Card Insert Overlay	
D511544 .....	25
D514391 .....	23
Caution Label	
801706 .....	83
Central Pay Harness	
805427 .....	7
Clamp Ring	
803802 .....	35
Clearance Label	
D513341 .....	81
Clip	
201572 .....	21
Clothes Guard Deflector	
804467 .....	35
805548 .....	35
Coin Drop	
38963P .....	19
70441601P .....	19
70441603 .....	19
Coin Drop Assembly	
38462P .....	19
38463 .....	19
38464P .....	19
70441602 .....	19
Coin Drop Wire Harness	
201104 .....	21
Coin Identification Paper	
38725 .....	21
Combustion Duct	
D510131 .....	65
Connector	
F140312 .....	75
Connector, 2 Circuit	
58799 .....	79
Connector, 3 Circuit	
58800 .....	79
Control Assembly	
D515807P .....	9
D515809P .....	9
D517522 .....	9
806267P .....	9
806269P .....	9
807458 .....	9
807460 .....	9

N/A items do not appear in index.

Control Bracket 807441 .....	39	Door Catch Assembly D510177 .....	53
Control Panel 803964B .....	15	802803 .....	27
803964DG .....	15	Door Glass 802695P .....	27
803964W .....	15	Door Glass Mounting Plate 804239 .....	27
803968B .....	23	Door Handle Wedge D510129W .....	49, 51
803968W .....	23	Door Hinge 802934 .....	27
Control Panel and Bracket Assembly 800034W .....	7	Door Latch Assembly 803920 .....	27
Control Panel Assembly 804069B .....	7	Door Liner Assembly D516508 .....	49
804069DG .....	7	Door Liner Grill D503870LG .....	49, 51
804069W .....	7	D503870W .....	49
Control Shield 804363 .....	11	Door Lock Harness Assembly 806028 .....	91
Counterweight 803810 .....	35	807293 .....	91
807476 .....	35	Door Pull D512947 .....	49
Cylinder Assembly D510265LGP .....	57	Door Pull and Wedge Kit D510103WP .....	51
D510265WP .....	57	D511213P .....	49
Cylinder Baffle D510102LG .....	57	Door Seal 804428P .....	27
D510102W .....	57	Door Seal Assembly 804429P .....	27
Cylinder Belt D511255P .....	55	Door Strike D510181 .....	49, 51
Cylinder Glide D513710 .....	57	Drain Base Bracket 803814 .....	43
Cylinder Glide Bracket D510145 .....	57	Drain Hose 27154 .....	43
Cylinder Roller D510708P .....	61	Drain Hose Bracket 803828 .....	45
Cylinder Roller Bracket D510100 .....	61	Drain Hose Elbow 35766 .....	43
Cylinder Seal Assembly D510207P .....	57, 61	Drain Pump Assembly 805724P .....	43
		Drain Pump Isolator 803815 .....	43
		Drain Valve 803293P .....	41
		Drain Valve Kit F975P3 .....	41
		Drain-to-Cabinet Hose 800903 .....	41
		Drive Belt 804985 .....	39
		Dryer Base D514245 .....	73
		Dryer Door D515960DG .....	49
		D515961W .....	51
		D515963 .....	49
		Dryer Door Window D515681 .....	51
		Dual Coin Harness Assembly 202871 .....	19, 21
		Dual Overlay 39073 .....	15

## D

Detergent Hose 804717 .....	31		
Directional Exhaust Kit 528P3 .....	73		
Disconnect Power Warning Label D505281 .....	81, 83		
Dispenser Assembly 803698 .....	31		
Dispenser Drawer 803667 .....	31		
Dispenser Handle 804227B .....	31		
804227WP .....	31		
804228 .....	31		
Dispenser Inlet Hose 803849 .....	31, 33		
807364 .....	31, 33		
Dispenser Plate 803843 .....	31		
Door Assembly 804083WP .....	27		
804210P .....	27		
805550 .....	27		

N/A items do not appear in index.



---

**E**

Elbow	
D513072 .....	67
Electric Clearance Label	
D511005 .....	81
Electrical Shock Label	
F8211201 .....	81, 83
Electronic Coin Drop Assembly	
70294106 .....	21
70294122 .....	21
Electronic Coin Drop Kit	
CK110 .....	21
CK115 .....	21
Exhaust Duct	
D516196 .....	73
Exhaust Warning Label	
D500497 .....	81
D502507 .....	81
Expansion Clip	
70030501 .....	15, 23
Extractor Tool	
128P4 .....	77
190P4 .....	77

---

**F**

Felt Pad	
D510189 .....	57
Female Piggyback Terminal	
00361 .....	79
Female Pin Terminal	
00117 .....	79
Female Spade Terminal	
00189 .....	79
Female Terminal	
00188 .....	77
00255 .....	77
00256 .....	77, 79
Fill Hose	
203719 .....	33
203720 .....	33
Flexible Venting Kit	
521P3 .....	73
Foam Pad	
804875 .....	31
Foreign Object Deflector	
806308 .....	35
806313 .....	35
806361 .....	35
Front Bulkhead Assembly	
D510266P .....	57
Front Control Harness	
806031 .....	91
Front Panel	
D510066DG .....	53
D510066WP .....	53
D512542 .....	53
802277DG .....	27
802277WP .....	27
802288P .....	27

Front Panel Assembly Kit	
806505W .....	29
806560 .....	29
Front Panel Seal	
D511056 .....	53
Fuse Notice Label	
61294 .....	59

---

**G**

Gas Clearance Label	
D511004 .....	81
Gas Harness	
D517477 .....	89
Gas Label	
D505215 .....	81
Gas Power Harness	
D514083 .....	89
Gas Valve Assembly	
60353P .....	67
Gas Valve Harness	
D516367 .....	89
Gas Valve Mounting Bracket	
D510128 .....	67, 69
Gas Valve, Bracket and Pipe Assembly	
D517606 .....	69
Gasket	
802427 .....	43
Glass Mounting Clip	
802700 .....	27
Glide Kit	
RB170003 .....	57
Gravity Drain Bracket	
803291 .....	41
803833 .....	45
Grommet	
29175 .....	35

---

**H**

Harness	
805684 .....	89
Harness Strap	
55881 .....	47, 79
Heat Duct Shroud	
D510101 .....	65
Heater Assembly	
D510324P .....	63
D510329P .....	63
D510330P .....	63
Heater Duct Assembly	
D510025P .....	63, 65
Heater Kit	
964P3 .....	63
965P3 .....	63
Heater Kit Assembly	
61927 .....	63
61928 .....	63
Hinge	
D511036 .....	49, 51

N/A items do not appear in index.

Hinge Hole Plug D510186 .....	53
Hinge Plate 802206 .....	27
Hold Down Kit 526P3 .....	73
Hose Clamp F200204 .....	43
20211 .....	43
20391 .....	43
685725 .....	31, 41
802281 .....	27
803891 .....	35
807386 .....	31, 33
Hose Clip 36985 .....	35, 47
800553 .....	35
Housing, 10 Position D500338 .....	77

## I

Idler Lever D516310 .....	55
Idler Lever and Wheel Assembly D516792 .....	55
Idler Spring D510185 .....	55
Idler Wheel and Bearing Assembly D510142P .....	55
Igniter and Bracket Assembly D510184P .....	67, 69
Inner Basket Assembly 804374P .....	37
Inner Basket Assembly Kit 804376P .....	37
Inner Door Bezel 804562P .....	27
Inner Door Bezel Kit 802307P .....	27
802331P .....	27
Insert 685716 .....	31
Instruction Label 805665 .....	15
806195 .....	15
Insulated Female Flag Terminal 00221 .....	79
Inverter Control Assembly 807175P .....	39

## K

Key 54612 .....	7
--------------------	---

## L

Lead-In Cord 202777 .....	47, 75
------------------------------	--------

Lead-In Pipe Assembly D510204 .....	67
Left Hand Thread Label 685928 .....	83
804949 .....	83
Leveling Leg D510135 .....	73
34319 .....	45
Lid Assembly 802426P .....	43
Lifter 804382 .....	37
Limit Thermostat D510701 .....	63
D510702 .....	65
Liner and Seal Assembly D516509 .....	51
Lint Filter D503980LG .....	59
D503980W .....	59
Lint Filter Label D502781 .....	81
Lock Assembly 804339P .....	7
Lock Cam 27261 .....	7
804338 .....	7
L.P. Conversion Kit 458P3 .....	67, 69
L.P. Orifice D503786 .....	71
58755 .....	71

## M

Machine ID Control Assembly 203361P .....	7
Male Pin Terminal 00116 .....	79
Meter Case Assembly 807254DG .....	15
807396B .....	15
807396W .....	15
Mixing Valve 806509 .....	33
Mixing Valve Screen 24122 .....	33
Motor and Pulley Assembly D511629P .....	55
Motor and Rod Assembly Kit 805726P .....	39
808067P .....	39
Motor Control Shield 804878 .....	39
Motor Harness 806029 .....	91
807294 .....	91
Motor Hub Ring Kit 590P3 .....	55
Motor Mount D510060 .....	55
Motor Mount Clamp D510180 .....	55

N/A items do not appear in index.

Motor Pulley	
D500011 .....	55
Motor Rod	
803861 .....	39
807739 .....	39
Motor Switch Bracket	
D516311 .....	55
Mounting Tool Kit	
CK096 .....	21

## N

Natural/L.P. Gas Label	
D500240 .....	81
Notice Label	
D516073 .....	83
803011 .....	83
Nut	
F430218 .....	35
03673 .....	47
201216 .....	21
21899 .....	45
23951 .....	27
29786 .....	19, 41
36020 .....	27
44087201 .....	15
52566 .....	55
56156 .....	55, 61
685846 .....	27
800452 .....	35, 37
802343 .....	35
804418 .....	37
N.G. Conversion Kit	
459P3 .....	67, 69
N.G. Orifice	
D503776 .....	71
D503778 .....	71
D503779 .....	71
D503780 .....	71
D510517 .....	71

## O

O-Ring	
802429P .....	43
Outer Door Bezel	
803710BP .....	27
803710WP .....	27
803711P .....	27
Outer Tub Assembly	
803864 .....	35
807479 .....	35
807618 .....	35
Outlet Cover	
D500820 .....	63, 65
D518524 .....	65
Out-of-Balance Switch Assembly	
803415 .....	35
807384 .....	35
Out-of-Balance Switch Bracket	
804457 .....	35
807280 .....	35

Output Control Assembly	
D513797P .....	73
D517191P .....	73
807240 .....	39
807243 .....	39
Overlay	
D514873 .....	23
201091 .....	15, 21
804852 .....	11
805380 .....	11
806174 .....	11
Overlay Kit	
38676 .....	15
Oversuding Label	
802074 .....	83
802838 .....	83

## P

Paint	
806436P .....	45, 73
Panel Locator	
56079 .....	27, 45, 53, 73
Payment Center Kit	
205067 .....	7
205068 .....	7
205069 .....	7
205070 .....	7
Pinch Warning Label	
F8615701 .....	81, 83
Plug	
23040 .....	79
Plug, 9 Circuit	
23033 .....	79
Pop Rivet	
685847 .....	35
Porcelain Touch-Up Paint	
122P4P .....	45, 73
Power Cord Assembly	
58992 .....	75
Power Harness	
D514044 .....	89
807298 .....	91
Pressure Bulb	
803837 .....	35
Pressure Sensor	
203843 .....	45
Pressure Sensor Harness	
804433 .....	91
Pressure Sensor Tube Assembly	
804483 .....	35
Pulley Assembly	
803974 .....	37
Pulley Bolt Tightening Fixture	
802336 .....	87
Pump Housing	
802428 .....	43
Pump Housing Assembly	
802434P .....	43
Pump-to-Elbow Hose	
803734 .....	43
Pump-to-Gravity Drain Kit	
805771 .....	43

N/A items do not appear in index.

---

**R**

Rear Access Panel	
803998 .....	15, 23
807646 .....	15, 23
Rear Bulkhead Assembly	
D510905WP .....	61
D511082P .....	61
Rear Panel	
803789 .....	45
803790 .....	45
806716 .....	45
Rear Service Panel	
805834 .....	17, 25
Receptacle, 2 Circuit	
D501223 .....	79
Receptacle, 3 Circuit	
23039 .....	79
36170 .....	79
Receptacle, 6 Circuit	
26708 .....	79
Retaining Ring	
23748 .....	55, 61
Roller Kit	
RB170002 .....	61
Rubber Foot	
D501855 .....	45
34318 .....	45

---

**S**

Screw	
D500824 .....	55
D501285 .....	59, 61
D501524 .....	7, 39
D502535 .....	55
D503661 .....	7, 13, 27, 39, 41, 43, 45
D503688 .....	11, 15, 17, 23, 25, 53, 55, 57, 61, 63, 65, 67, 69, 73
D505295 .....	49, 51
D505870 .....	51
D514428 .....	73
D515967 .....	51
F8206901 .....	39
M400043 .....	37, 85
M400057 .....	39
02916 .....	39, 41
20530 .....	47, 75
23222 .....	63, 67, 69
31260 .....	55
33562 .....	53
36048 .....	73
39733 .....	27, 45, 53, 73
51782 .....	65, 67, 69
52864 .....	59
52909 .....	43
56124 .....	67, 69
61199 .....	61
62588 .....	57
685831 .....	37
70240301 .....	15, 23
800461 .....	35
800462 .....	35
800548 .....	27, 31, 37

801001 .....	31
801019 .....	27
801045 .....	27
801993 .....	27
802431 .....	43
802596 .....	35
804399 .....	37
804608 .....	7
804667 .....	73
804699 .....	37
806086 .....	27
806276 .....	23, 45
Screw Orifice	
58719 .....	71
Seal Kit	
RB170001 .....	57, 61
Secondary Coil	
58804B .....	67, 69
Security Cabinet Front Assembly	
D511208W .....	25
D511632WP .....	17
Security Cabinet Harness	
D513991 .....	91
Security Cabinet Warpper Assembly	
800231W .....	25
Security Cabinet Wrapper Assembly	
801235W .....	17
Sensor	
D510213 .....	67, 69
Shaft	
56461P .....	55, 61
Shield Bracket	
804018 .....	11
Shipping Bracket Label	
686901 .....	85
Shipping Materials Kit	
805729 .....	85
Shipping Plate	
803851 .....	45
Shipping Plug	
8038589 .....	45
Shock Assembly	
803777P .....	35
Side Panel Kit	
806492 .....	45
Single Coin Harness Assembly	
202870 .....	19
Single Overlay	
38717 .....	15
Snap Bushing	
D503235 .....	41
Speed Clip	
28835 .....	53
Standpipe Strap	
33489 .....	43
Strain Relief	
38384 .....	47, 75
Switch	
D512973 .....	7, 15, 53
D516391 .....	55
70529301 .....	15

N/A items do not appear in index.

---

**T**

Terminal	
00252 .....	79
Terminal Block Assembly	
D510190P .....	61
Terminal Block Shield	
D510237 .....	61
Terminal Extractor Tool	
283P4 .....	77
Thermal Fuse Assembly	
D518542 .....	63
Thermistor Assembly	
D510523 .....	55
Top Hinge	
D510136 .....	73
Top Kit	
D510032WP .....	73
Top Panel	
D510032DG .....	73
803144P .....	73
Transformer	
201375P .....	21
202757 .....	7
Transformer Harness	
804795 .....	7
Transformer Kit	
203423 .....	7
Trunnion Shaft Kit	
808043 .....	37
Tub Front	
803770 .....	35
Tub Front Assembly	
803879 .....	35
Tub Front Seal	
803801 .....	35
Tub-to-Gravity Drain Hose	
803874 .....	41
Tub-to-Pump Hose	
803829 .....	43

---

**U**

Upper Electric Harness	
D513968 .....	89
D516756 .....	89
D517476 .....	89
Upper Gas Harness	
D516753 .....	89
D517094 .....	89

---

**V**

Venting Instruction Label	
D502791 .....	81

---

**W**

Warning Label	
D500049 .....	35, 81
D500314 .....	83
D500316 .....	81, 83
D502508 .....	81
D512263 .....	81
D516243 .....	81
44324001 .....	81
802367 .....	83
803260 .....	81, 83
806591 .....	83
Warning/Caution Label	
D500281 .....	53, 81
Washer	
D504082 .....	61
M400014 .....	85
M400017 .....	41
M400080 .....	39
M400081 .....	35
M403958 .....	37
02834 .....	39
03815 .....	47
20290 .....	33
26509 .....	73
52549 .....	55, 61
800457 .....	37
802254 .....	33
803615 .....	33
804458 .....	35
807679 .....	37
Window Trim	
D515956W .....	51
Wire Assembly	
D518255 .....	63
D518256 .....	63
Wire Clip	
D504034 .....	47
687500 .....	47
Wire Guard	
201595P .....	19
Wire Ring and Spring	
806466 .....	27
Wire Tie	
38663 .....	47
Wireless Network Board Harness	
F8536002 .....	13
Wireless Network Control Assembly	
203532 .....	13
807211 .....	13
Wireless Network Harness	
F8674006 .....	13
Wire, 12 Gauge	
45380 .....	89
Wire, 18 Gauge	
45001 .....	89
Wiring Harness Assembly	
202868 .....	7
202869 .....	7
Wrapper Assembly	
804104B .....	15
804104DG .....	15
804104W .....	15
804112B .....	23

N/A items do not appear in index.

804112W.....	23
Wrench	
392P4.....	87

---