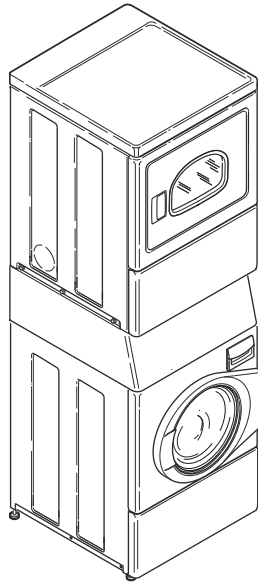


# Commercial Stack Washer/Dryers

Refer to Page 5 for Model Numbers



SWD456C\_806122



# Table of Contents

| Title   | Page |
|---|------|
| Parts Ordering Information.....                                   | 3    |
| Serial Plate Location .....                                       | 3    |
| Model Identification .....  | 5    |
| Control Panel and Controls (Drawing 1 of 4) .....                 | 6    |
| Control Panel and Controls (Drawing 2 of 4) .....                 | 8    |
| Control Panel and Controls (Drawing 3 of 4) .....                 | 10   |
| Control Panel and Controls (Drawing 4 of 4) .....                 | 12   |
| Control Panel and Cabinet Wrapper .....                           | 14   |
| Non-Electronic Coin Drop .....                                    | 16   |
| Electronic Coin Drop .....  | 18   |
| Card Reader and Non-Vend Control Cabinet .....                    | 20   |
| Front Panel, Door Assembly and Door Seal .....                    | 22   |
| Front Panel Assembly .....  | 24   |
| Dispenser Assembly .....  | 26   |
| Mixing Valve and Valve-to-Dispenser Hose.....                     | 28   |
| Fill Hose .....   | 30   |
| Outer Tub, Front and Clamp Ring.....                              | 32   |
| Inner Basket, Trunnion, Bearing Housing and Pulley .....          | 34   |
| Motor and Belt.....   | 36   |
| Drain Hoses and Valve .....                                       | 38   |
| Drain Hose and Pump.....  | 40   |
| Base, Side Panels and Rear Panel.....                             | 42   |
| Washer Junction Box .....   | 44   |
| Washer Lead-In Cord, Wire Ties and Harness Clips .....            | 46   |
| Dryer Loading Door (Drawing 1 of 3) .....                         | 48   |
| Dryer Loading Door (Drawing 2 of 3) .....                         | 50   |
| Dryer Loading Door (Drawing 3 of 3) .....                         | 52   |
| Access Panel, Front Panel and Seal .....                          | 54   |
| Motor, Exhaust Fan and Belt .....                                 | 56   |
| Thermistor, Shields and Idler Assembly .....                      | 58   |
| Front Bulkhead, Felt Seal and Cylinder .....                      | 60   |
| Air Duct Assembly.....  | 62   |
| Rear Bulkhead, Felt Seal, Cylinder Roller and Terminal Block..... | 64   |
| Heater Duct and Element Assembly .....                            | 66   |
| Heater Duct Assembly .....  | 68   |
| Gas Valve, Igniter and Gas Conversion Kits.....                   | 70   |
| Burner Orifice Spuds - For Higher Elevations .....                | 72   |
| Dryer Cabinet, Exhaust Duct and Base .....                        | 74   |
| Dryer Power Cord .....  | 76   |
| Dryer Terminals and Terminal Extractor Tools .....                | 78   |
| Terminals .....   | 80   |

© Copyright 2021, Alliance Laundry Systems LLC

All rights reserved. No part of the contents of this book may be reproduced or transmitted in any form or by any means without the expressed written consent of the publisher.

|                                      |    |
|--------------------------------------|----|
| Dryer Labels.....                    | 82 |
| Washer Labels .....                  | 84 |
| Shipping Materials .....             | 86 |
| Special Tools .....                  | 88 |
| Washer Wire Harnesses and Wires..... | 90 |
| Dryer Wire Harnesses and Wires.....  | 92 |
| Parts Index.....                     | 95 |

## Parts Ordering Information

If literature or replacement parts are required, contact the source from whom the machine was purchased or contact Alliance Laundry Systems at (920) 748-3950 for the name and address of the nearest authorized parts distributor.

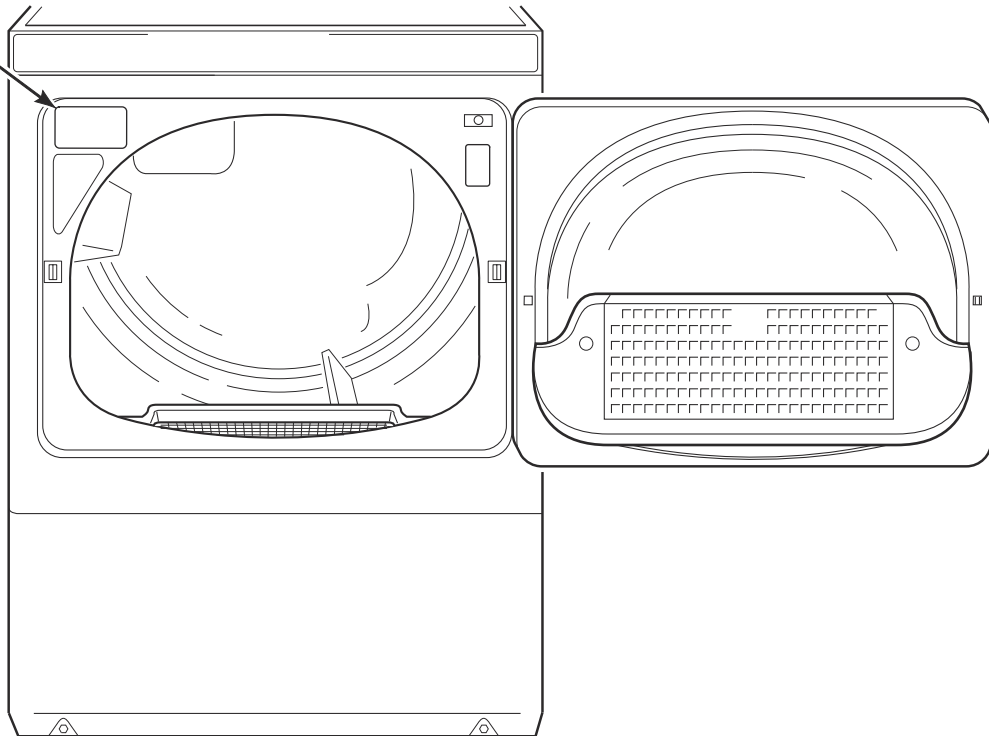
For technical assistance, call the number listed below:

(920) 748-3121 Ripon, Wisconsin

## Serial Plate Location

When calling or writing about your product, be sure to mention model and serial numbers. Model and serial numbers are located on serial plate(s) as shown.

SERIAL PLATE



DRY2283P\_806122

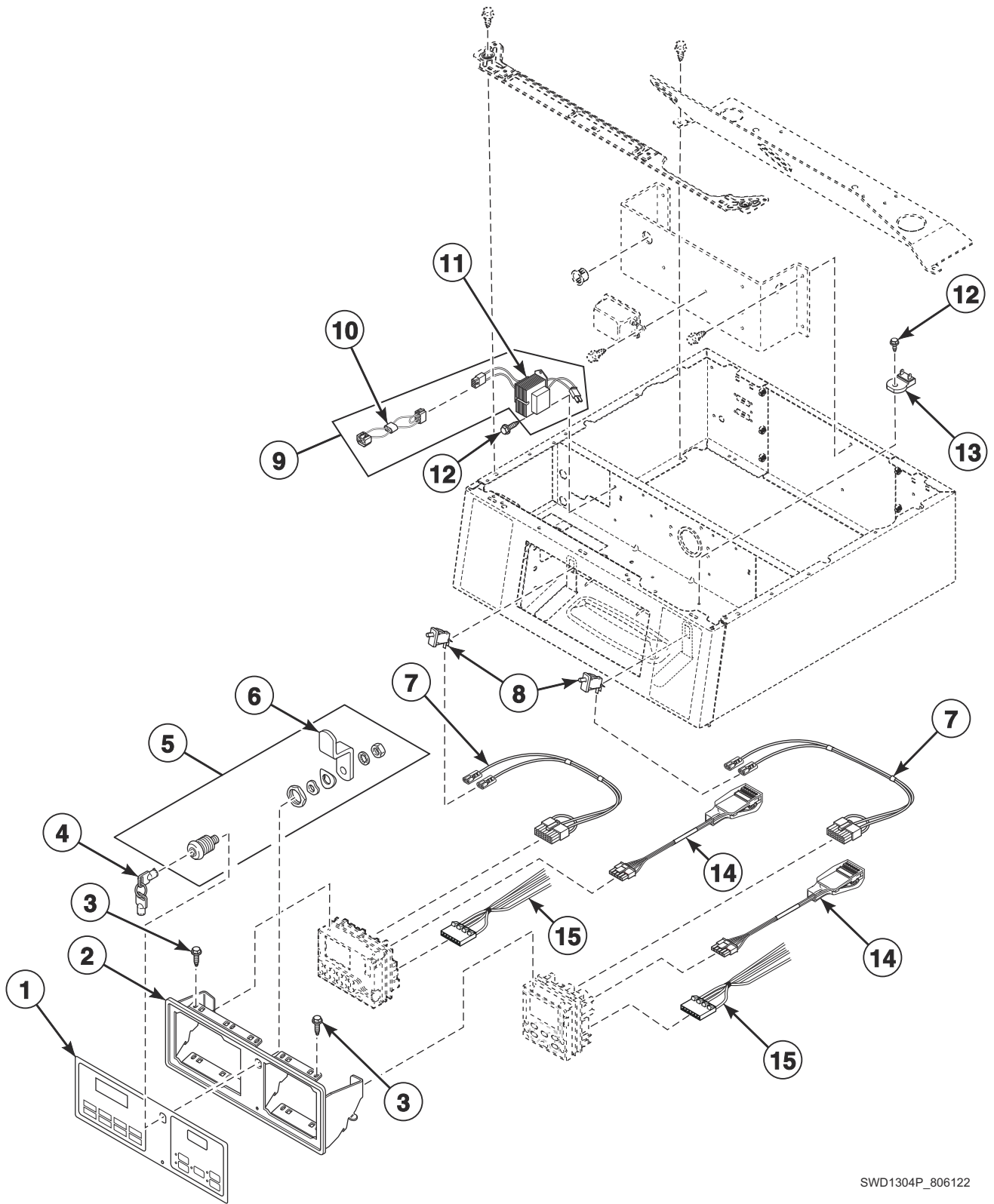


## Model Identification

Information in this manual is applicable to these washer/dryer models:

|                  |                 |
|------------------|-----------------|
| BTEBCASP173TW01  | STEBCASP173TQ01 |
| BTEBEASP283CW01  | STEBCASP173TW01 |
| BTEBLASP433AW01  | STEBXASP133DW01 |
| BTEBXASP173FW28  | STEBXASP173FW28 |
| BTEBXASP433AW01  | STEBXASP173TQ01 |
| BTEBYASP173TW01  | STEBXASP173TW01 |
| BTGBCASP113TW01  | STEBXASP303NW22 |
| BTGBLASP303AW01  | STEBXASP303UW01 |
| BTGBXASP113FW28  | STEBXASP433AW01 |
| BTGBXASP303AW01  | STEBXASP433AW12 |
| BTGBYASP113TW01  | STEBXASP543DW01 |
| HTEBCASP173TW01  | STEBXASP543ZW01 |
| HTEBDASP283CW01  | STEBYASP173TW01 |
| HTEBXASP133DW01  | STGBCASP113TW01 |
| HTEBXASP173FW28  | STGBXASG113TW01 |
| HTEBXASP283CW01  | STGBXASP113FW28 |
| HTEBXASP293CW01  | STGBXASP113TW01 |
| HTEBXASP543DW01  | STGBXASP123DW01 |
| HTEBYASP283CW01  | STGBXASP303AW01 |
| HTGBCASP113TW01  | STGBXASP303AW12 |
| HTGBDASP093CW01  | STGBXASP303NW22 |
| HTGBXASP093CW01  | STGBXASP303ZW01 |
| HTGBXASP113FW28  | STGBXASP543DW01 |
| HTGBXASP123DW01  | STGBYASP113TW01 |
| HTGBXASP543DW01  | TTEBXASP303NW22 |
| HTGBYASP093CW01  |                 |
| HTGBYASP113TW01  |                 |
| NTEBXASP303NW01  |                 |
| NTEBXASP303NW22  |                 |
| NTGBXASP303NW01  |                 |
| NTL BXASP303NW26 |                 |

# Control Panel and Controls (Drawing 1 of 4)



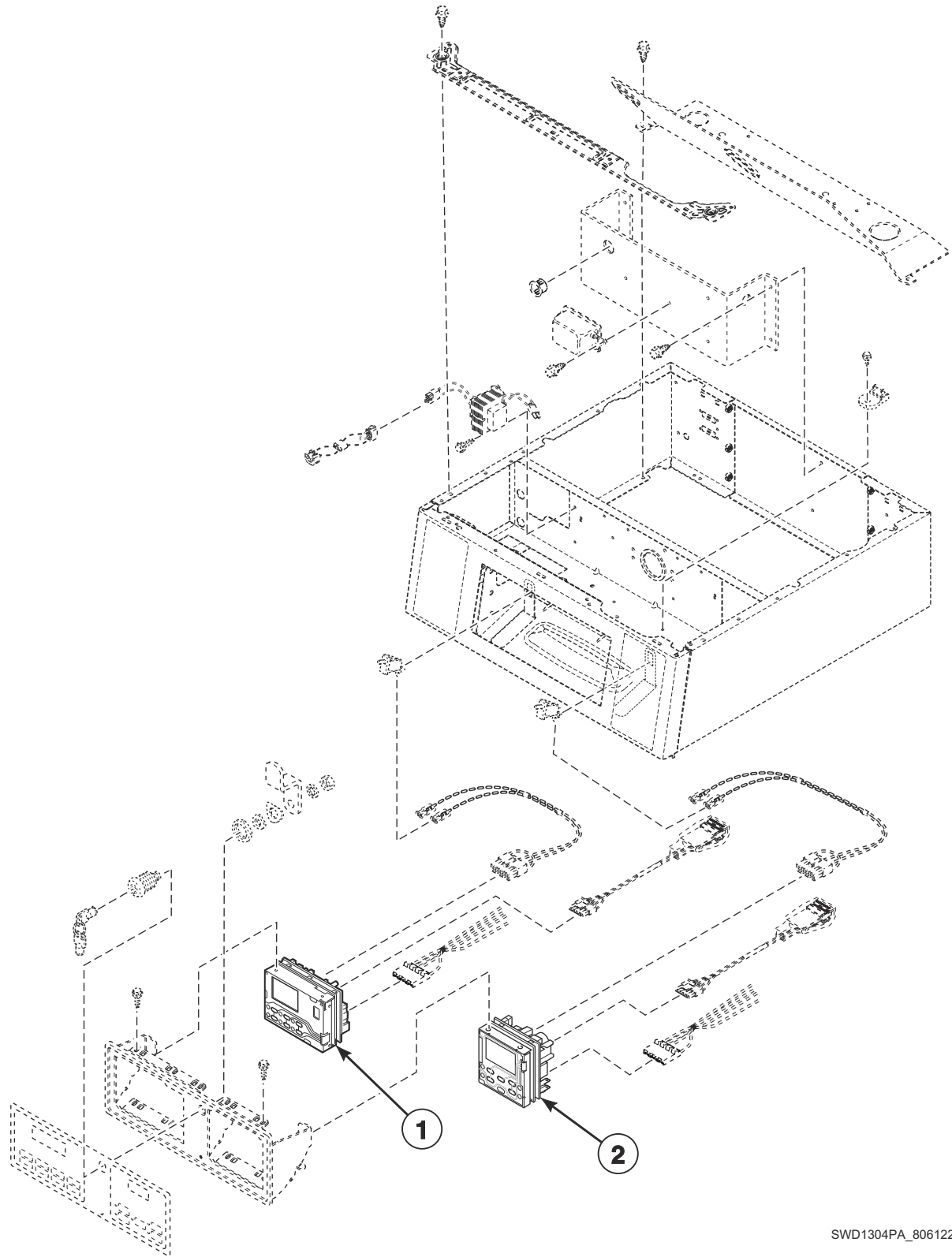
SWD1304P\_806122



## Control Panel and Controls (Drawing 1 of 4)

| REF | PART NO. | DESCRIPTION                 | COMMENTS   |
|-----|----------|-----------------------------|--|
|     | 807174   | Central Pay Kit             | White  |
| 1   | 805397   | Overlay                     | HTE and HTG models   |
|     | 805398   | Overlay                     | Models BTEBCASP173TW01, BTEBEASP283CW01, BTEBXASP173FW28, BTEBYASP173TW01, BTGBCASP113TW01, BTGBXASP113FW28 and BTGBYASP113TW01; Models BTEBLASP433AW01, BTEBXASP433AW01, BTGBLASP303AW01 and BTGBXASP303AW01 through Serial Nos. beginning 1509 |
|     | 806189   | Overlay                     | Models BTEBLASP433AW01, BTEBXASP433AW01, BTGBLASP303AW01 and BTGBXASP303AW01 starting Serial Nos. beginning 1509   |
|     | 805400   | Overlay                     | Models NTEBXASP303NW01, NTEBXASP303NW22, NTGBXASP303NW01, NTLBXASP303NW26 and TTEBXASP303NW22  |
|     | 805032   | Overlay                     | Models STEBXASP303NW22, STEBXASP303UW01 and STGBXASP303NW22  |
|     | 805396   | Overlay                     | All other models   |
| 2   | 804069W  | Control Panel Assembly      | White  |
|     | 804069B  | Control Panel Assembly      | Black  |
|     | 804069DG | Control Panel Assembly      | Dark gray  |
| 3   | 804608   | Screw                       |  |
| 4   | 54612    | Key                         | GR800  |
| 5   | 804339P  | Lock Assembly               |  |
| 6   | 804338   | Lock Cam                    |  |
| 7   | 202868   | Wiring Harness Assembly     |  |
| 8   | D512973  | Switch                      |  |
| 9   | 203423   | Transformer Kit             | 120 Volt; Washer   |
|     | 203424   | Transformer Kit             | 240 Volt; Washer   |
| 10  | 804795   | Transformer Harness         | 120 Volt; Washer   |
|     | 805428   | Transformer Harness         | 240 Volt; Washer   |
| 11  | 202757   | Transformer                 | 120 Volt; Washer   |
|     | 201375P  | Transformer                 | 120 Volt; Dryer  |
|     | 202758   | Transformer                 | 240 Volt; Washer   |
|     | 803527P  | Transformer                 | 240 Volt; Dryer  |
| 12  | D503661  | Screw                       |  |
| 13  | 210100   | Resistor                    |  |
| 14  | 203361P  | Machine ID Control Assembly | Model or serial number is required when ordering   |
| 15  | 805427   | Central Pay Harness         |  |

# Control Panel and Controls (Drawing 2 of 4)

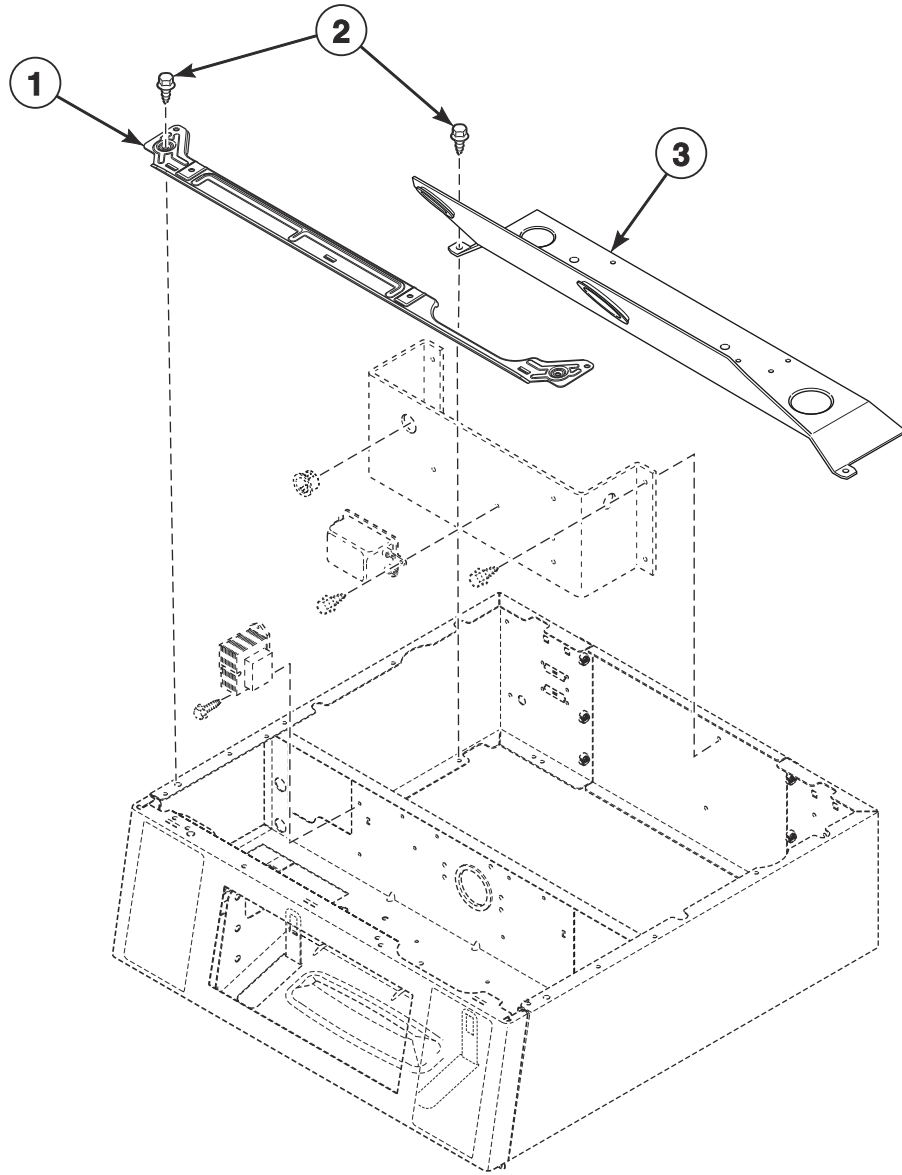


SWD1304PA\_806122

## Control Panel and Controls (Drawing 2 of 4)

| REF | PART NO. | DESCRIPTION      | COMMENTS   |
|-----|----------|------------------|--|
| 1   | 806268P  | Control Assembly | Washer; Red LEDs; Models BTEBCASP173TW01, BTEBEASP283CW01, BTEBLASP433AW01, BTEBXASP173FW28, BTEBXASP433AW01, BTEBYASP173TW01, BTGBCASP113TW01, BTGBLASP303AW01, BTGBXASP113FW28, BTGBXASP303AW01 and BTGBYASP113TW01 through Serial No. 2012999999  |
|     | 807459   | Control Assembly | Washer; Red LEDs; Models BTEBCASP173TW01, BTEBEASP283CW01, BTEBLASP433AW01, BTEBXASP173FW28, BTEBXASP433AW01, BTEBYASP173TW01, BTGBCASP113TW01, BTGBLASP303AW01, BTGBXASP113FW28, BTGBXASP303AW01 and BTGBYASP113TW01 starting Serial No. 2101000001 |
|     | 806267P  | Control Assembly | Washer; Green LEDs; All other models through Serial No. 2012999999   |
|     | 807458   | Control Assembly | Washer; Green LEDs; All other models starting Serial No. 2101000001  |
| 2   | D514273P | Control Assembly | Dryer; Red LEDs; Models BTEBCASP173TW01, BTEBEASP283CW01, BTEBLASP433AW01, BTEBXASP173FW28, BTEBXASP433AW01, BTEBYASP173TW01, BTGBCASP113TW01, BTGBLASP303AW01, BTGBXASP113FW28, BTGBXASP303AW01 and BTGBYASP113TW01                                 |
|     | D511867P | Control Assembly | Dryer; Green LEDs; All other models  |
|     | D510036P | Membrane Switch  | Use with D511867P Control Assembly   |

# Control Panel and Controls (Drawing 3 of 4)



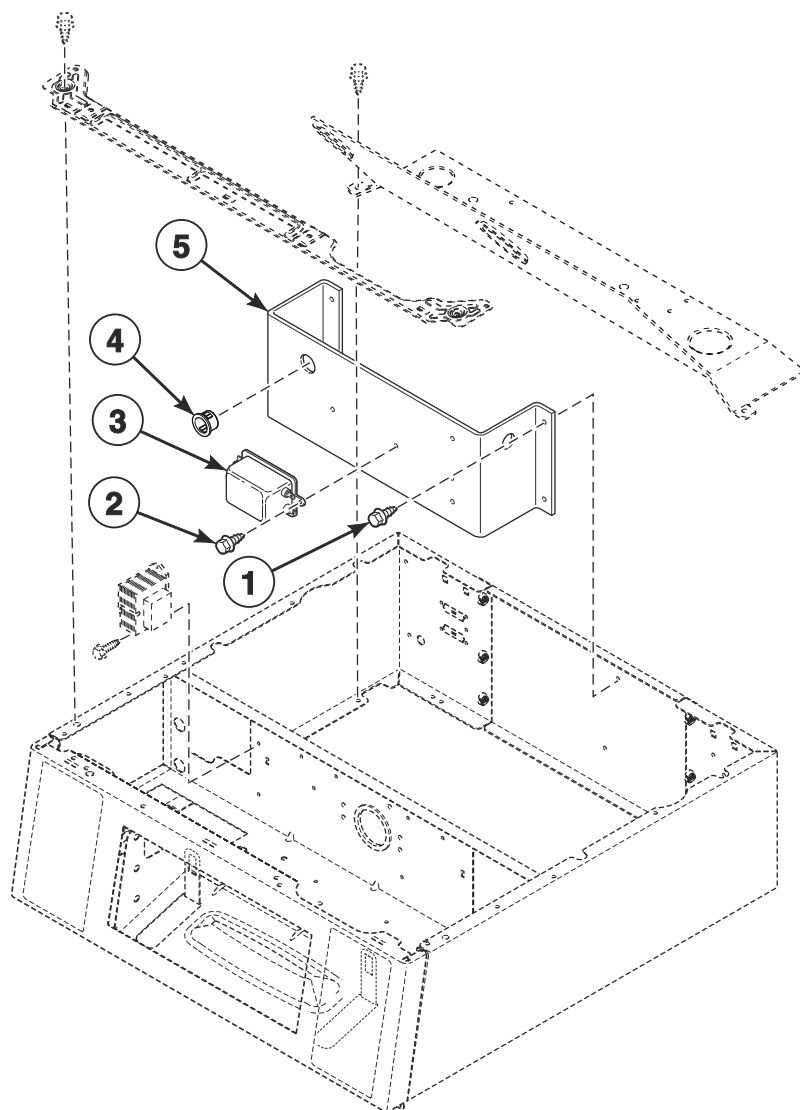
SWD1303P\_806122

## Control Panel and Controls (Drawing 3 of 4)

| REF      | PART NO.           | DESCRIPTION    | COMMENTS   |
|----------|--------------------|----------------|--|
| 205069   | Payment Center Kit |                | includes printer; Models STEBCASP173TQ01, STEBCASP173TW01, STEBXASP133DW01, STEBXASP173FW28, STEBXASP173TQ01, STEBXASP173TW01, STEBXASP303NW22, STEBXASP303UW01, STEBXASP433AW01, STEBXASP433AW12, STEBXASP543DW01, STEBXASP543ZW01, STEBYASP173TW01, STGBCASP113TW01, STGBXASG113TW01, STGBXASP113FW28, STGBXASP113TW01, STGBXASP123DW01, STGBXASP303AW01, STGBXASP303AW12, STGBXASP303NW22, STGBXASP303ZW01, STGBXASP543DW01 and STGBYASP113TW01 |
| 205070   | Payment Center Kit |                | Models STEBCASP173TQ01, STEBCASP173TW01, STEBXASP133DW01, STEBXASP173FW28, STEBXASP173TQ01, STEBXASP173TW01, STEBXASP303NW22, STEBXASP303UW01, STEBXASP433AW01, STEBXASP433AW12, STEBXASP543DW01, STEBXASP543ZW01, STEBYASP173TW01, STGBCASP113TW01, STGBXASG113TW01, STGBXASP113FW28, STGBXASP113TW01, STGBXASP123DW01, STGBXASP303AW01, STGBXASP303AW12, STGBXASP303NW22, STGBXASP303ZW01, STGBXASP543DW01 and STGBYASP113TW01                   |
| 205067   | Payment Center Kit |                | includes printer; Models HTEBCASP173TW01, HTEBDASP283CW01, HTEBXASP133DW01, HTEBXASP173FW28, HTEBXASP283CW01, HTEBXASP293CW01, HTEBXASP543DW01, HTEBYASP283CW01, HTGBCASP113TW01, HTGBDASP093CW01, HTGBXASP093CW01, HTGBXASP113FW28, HTGBXASP123DW01, HTGBXASP543DW01, HTGBYASP093CW01 and HTGBYASP113TW01   |
| 205068   | Payment Center Kit |                | Models HTEBCASP173TW01, HTEBDASP283CW01, HTEBXASP133DW01, HTEBXASP173FW28, HTEBXASP283CW01, HTEBXASP293CW01, HTEBXASP543DW01, HTEBYASP283CW01, HTGBCASP113TW01, HTGBDASP093CW01, HTGBXASP093CW01, HTGBXASP113FW28, HTGBXASP123DW01, HTGBXASP543DW01, HTGBYASP093CW01 and HTGBYASP113TW01   |
| <b>1</b> | 804018             | Shield Bracket |  |
| <b>2</b> | D503688            | Screw          |  |
| <b>3</b> | 804363             | Control Shield |  |

## Control Panel and Controls (Drawing 4 of 4)

Models BTEBLASP433AW01, BTEBXASP173FW28, BTEBXASP433AW01, BTGBLASP303AW01, BTGBXASP113FW28, BTGBXASP303AW01, HTEBXASP133DW01, HTEBXASP173FW28, HTEBXASP543DW01, HTGBXASP113FW28, HTGBXASP123DW01, HTGBXASP543DW01, NTEBXASP303NW01, NTEBXASP303NW22, NTGBXASP303NW01, NTLBXASP303NW26, STEBXASP133DW01, STEBXASP173FW28, STEBXASP303NW22, STEBXASP303UW01, STEBXASP433AW01, STEBXASP433AW12, STEBXASP543DW01, STEBXASP543ZW01, STGBXASP113FW28, STGBXASP123DW01, STGBXASP303AW01, STGBXASP303AW12, STGBXASP303NW22, STGBXASP303ZW01, STGBXASP543DW01 and TTEBXASP303NW22



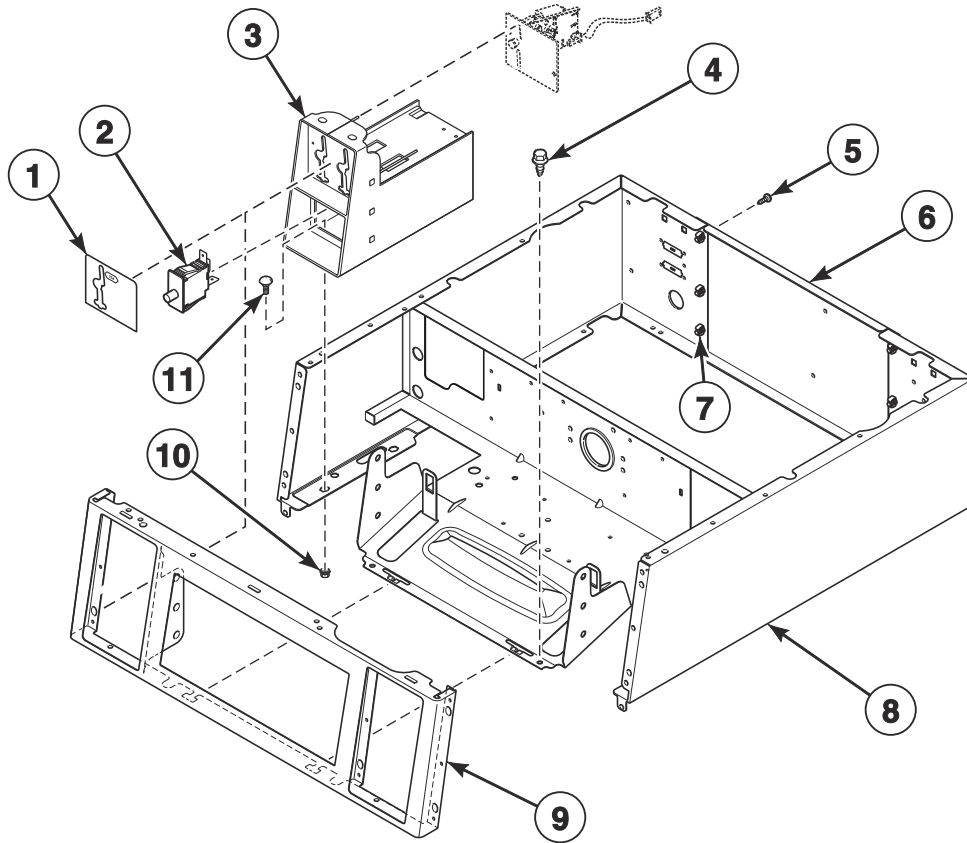
SWD1303PA\_806122

## Control Panel and Controls (Drawing 4 of 4)

| REF | PART NO. | DESCRIPTION                | COMMENTS  |
|-----|----------|----------------------------|---|
|     | 805344   | Terminal Block Drip Shield | Models BTEBLASP433AW01, BTEBXASP173FW28, BTEBXASP433AW01, BTGBLASP303AW01, BTGBXASP113FW28, BTGBXASP303AW01, HTEBXASP133DW01, HTEBXASP173FW28, HTEBXASP543DW01, HTGBXASP113FW28, HTGBXASP123DW01, HTGBXASP543DW01, STEBXASP133DW01, STEBXASP173FW28, STEBXASP303UW01, STEBXASP433AW01, STEBXASP433AW12, STEBXASP543DW01, STEBXASP543ZW01, STGBXASP113FW28, STGBXASP123DW01, STGBXASP303AW01, STGBXASP303AW12, STGBXASP303ZW01 and STGBXASP543DW01 |
| 1   | D503661  | Screw                      |   |
| 2   | D501086  | Screw                      |   |
| 3   | 805633   | Line Filter                |   |
|     | 804797   | Filter Harness             |   |
| 4   | M402542  | Snap Bushing               |   |
| 5   | 803988   | Terminal Block Assembly    |   |

# Control Panel and Cabinet Wrapper

Coin Models



SWD1289P\_806122

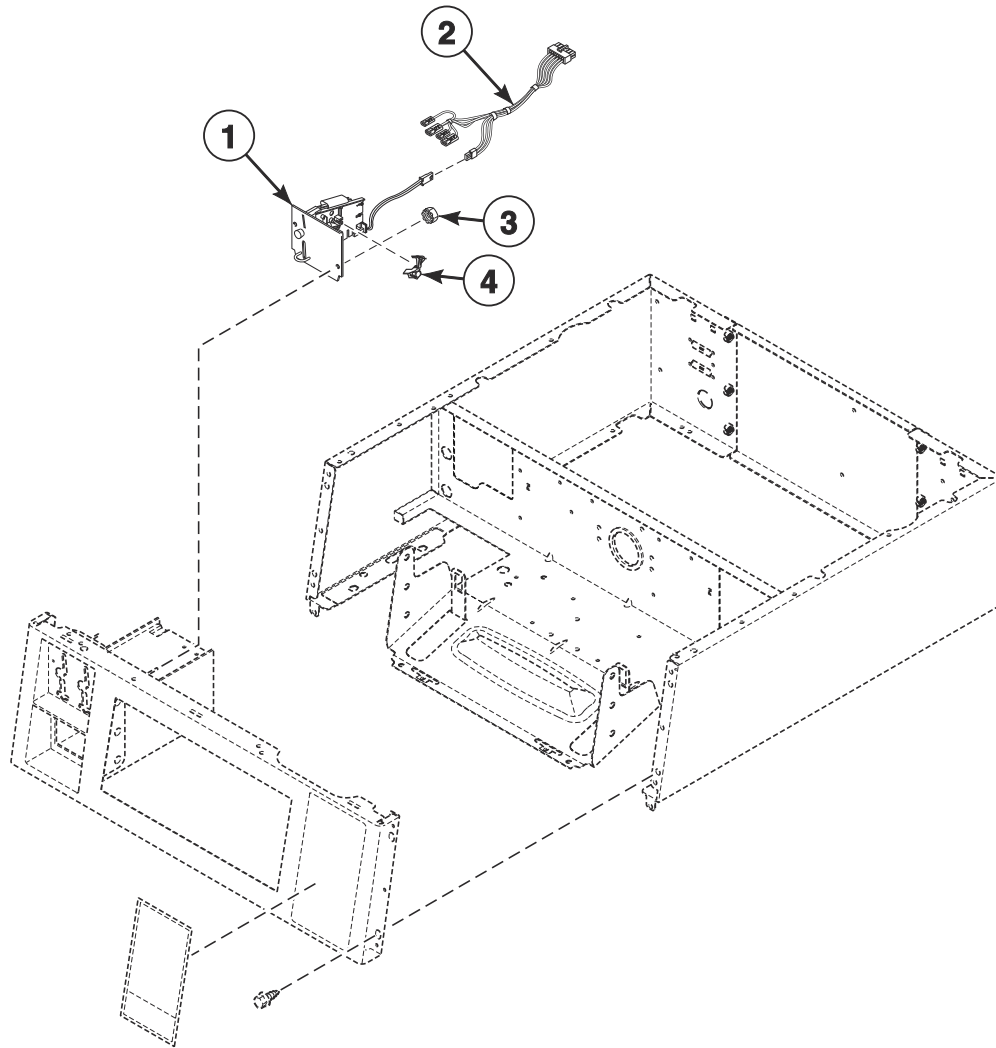


## Control Panel and Cabinet Wrapper

| REF | PART NO. | DESCRIPTION         | COMMENTS                                      |
|-----|----------|---------------------|---|
| 1   | 38717    | Single Overlay      |   |
|     | 39073    | Dual Overlay        |   |
|     | 38676    | Overlay Kit         | Dual drop; Includes coin identification paper |
|     | 201091   | Overlay             | For electronic coin drops                     |
| 2   | D512973  | Switch              |   |
| 3   | 807396W  | Meter Case Assembly | White   |
|     | 804009Q  | Meter Case Assembly | Bisque  |
| 4   | D503688  | Screw               |   |
| 5   | 70240301 | Screw               |   |
| 6   | 803998   | Rear Access Panel   |   |
| 7   | 70030501 | Expansion Clip      |   |
| 8   | 804104W  | Wrapper Assembly    | White   |
|     | 804104Q  | Wrapper Assembly    | Bisque  |
| 9   | 803964W  | Control Panel       | White   |
|     | 803964Q  | Control Panel       | Bisque  |
| 10  | 44087201 | Nut                 |   |
| 11  | 29651    | Bolt                |   |

# Non-Electronic Coin Drop

Coin Models



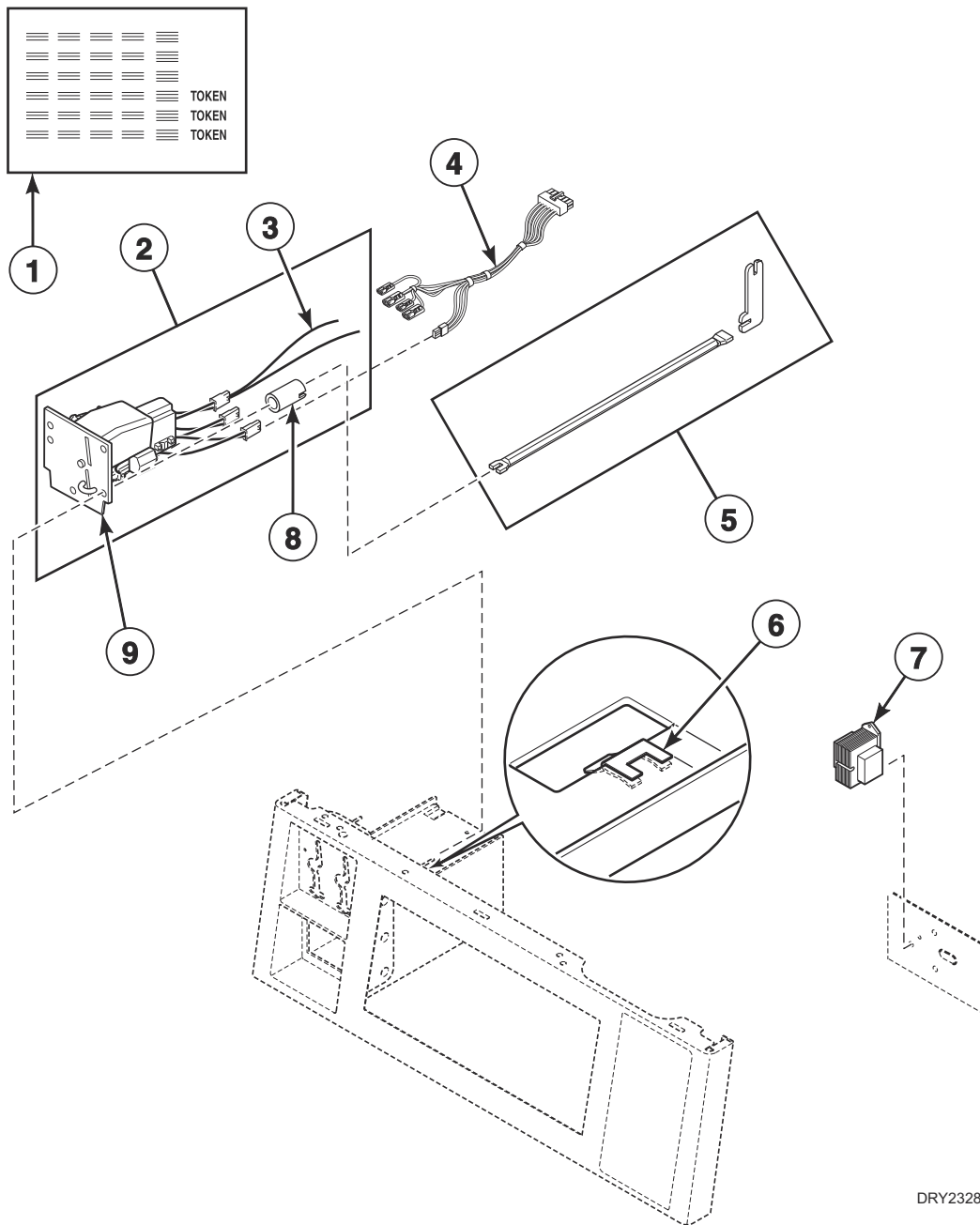
DRY2327P\_806122

## Non-Electronic Coin Drop

| REF    | PART NO.  | DESCRIPTION                | COMMENTS   |
|--------|-----------|----------------------------|--|
| 1      | 38462P    | Coin Drop Assembly         | Token; 118-1 mzp; .880 diameter x .079 thick; Brass                  |
|        | 38463     | Coin Drop Assembly         | Token; 118-5 mzp; .990 diameter x .081 thick; Silver                 |
|        | 70441601P | Coin Drop                  | United States; \$.25   |
|        | 38963P    | Coin Drop                  | Token 118-16 not available; Replacement for 38963P<br>Coin Drop only |
|        | 70441602  | Coin Drop Assembly         | Canada; .25 and 1.00   |
|        | 38464P    | Coin Drop Assembly         | Canada; .25  |
|        | 38467     | Coin Drop Assembly         | Australia; .20 and 1.00  |
|        | 70482401  | Coin Drop Assembly         | New Zealand; 1.00 and 2.00   |
|        | 38472     | Coin Drop Assembly         | England; 20 pence and 1 pound  |
|        | 38519     | Coin Drop Assembly         | Japan; 100 yen and 500 yen   |
|        | 38521     | Coin Drop Assembly         | Korea; 100 won and 500 won   |
|        | CK114     | Coin Drop Assembly         | Singapore; 1.00  |
|        | 2         | 202870                     | Single Coin Harness Assembly   |
| 202871 |           | Dual Coin Harness Assembly | Dual drop  |
| 3      | 29786     | Nut                        |  |
| 4      | 201595P   | Wire Guard                 | Anti-stringing security device; Add to coin drops                    |

# Electronic Coin Drop

Coin Models

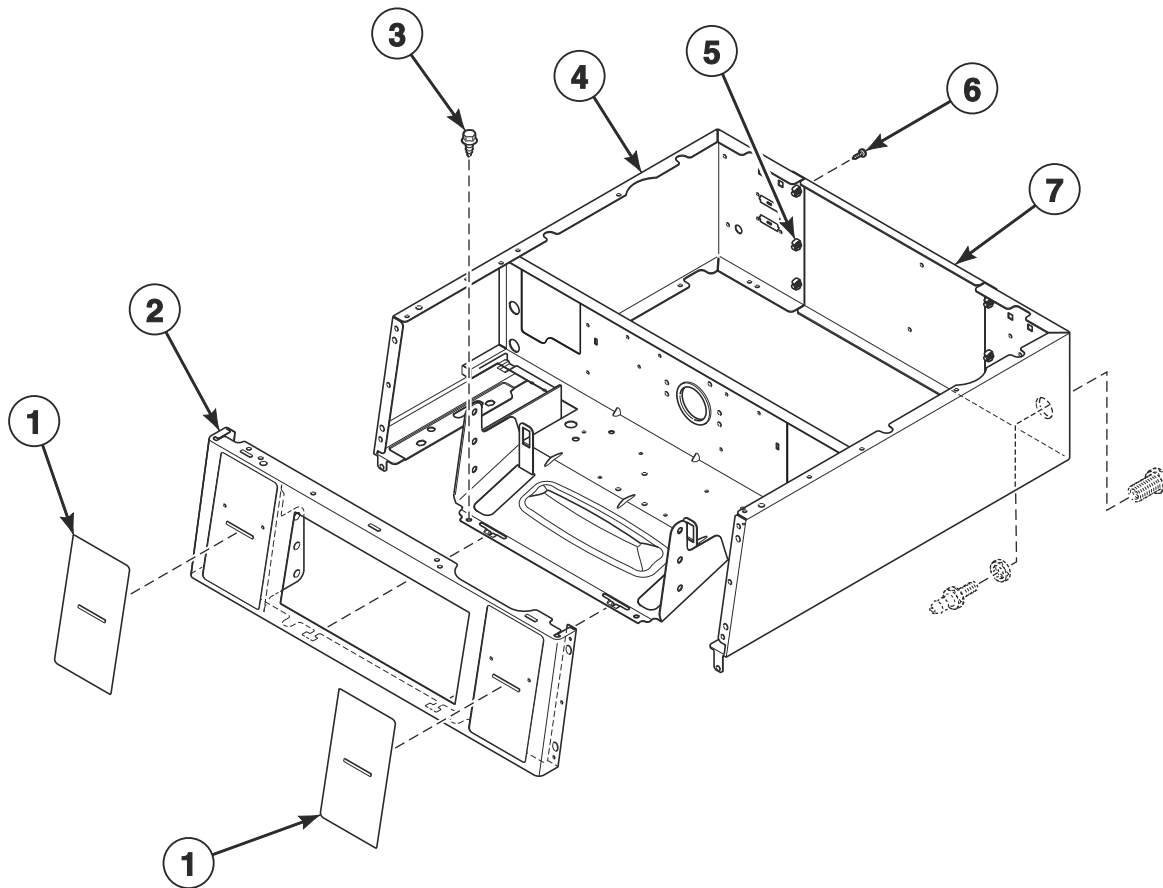


# Electronic Coin Drop

| REF | PART NO. | DESCRIPTION                   | COMMENTS   |
|-----|----------|-------------------------------|--|
| 1   | 38725    | Coin Identification Paper     |  |
| 2   | CK099    | Electronic Coin Drop Kit      | Australia, New Zealand, Hong Kong and South Korea; Includes items 1, 3, 6, 8 and 9 |
|     | CK100    | Electronic Coin Drop Kit      | Euro and Great Britain; Includes items 1, 3, 6, 8 and 9                            |
|     | CK101    | Electronic Coin Drop Kit      | Euro, Denmark and Norway; Includes items 1, 3, 6, 8 and 9                          |
|     | CK103    | Electronic Coin Drop Kit      | Euro, Lithuania and Latvia; Includes items 1, 3, 6, 8 and 9                        |
|     | CK108    | Electronic Coin Drop Kit      | South Africa; Includes items 1, 3, 6, 8 and 9                                      |
|     | CK109    | Electronic Coin Drop Kit      | Euro; Includes items 1, 3, 6, 8 and 9  |
|     | CK110    | Electronic Coin Drop Kit      | Mexico, Ecuador and United States; Includes items 1, 3, 6, 8 and 9                 |
|     | CK113    | Electronic Coin Drop Kit      | Japan and Taiwan; Includes items 1, 3, 6, 8 and 9                                  |
|     | CK115    | Electronic Coin Drop Kit      | United States and Canada; Includes items 1, 3, 6, 8 and 9                          |
|     | CK116    | Electronic Coin Drop Kit      | Malaysia and China; Includes items 1, 3, 6, 8 and 9                                |
|     | CK117    | Electronic Coin Drop Kit      | Russia; Includes items 1, 3, 6, 8 and 9  |
|     | CK118    | Electronic Coin Drop Kit      | Philippines; Includes items 1, 3, 6, 8 and 9                                       |
|     | CK120    | Electronic Coin Drop Kit      | Chile; Includes items 1, 3, 6, 8 and 9   |
|     | CK121    | Electronic Coin Drop Kit      | Singapore; Includes items 1, 3, 6, 8 and 9   |
| 3   | 201104   | Coin Drop Wire Harness        |  |
| 4   | 202871   | Dual Coin Harness Assembly    |  |
| 5   | CK096    | Mounting Tool Kit             |  |
| 6   | 201572   | Clip                          |  |
| 7   | 201375P  | Transformer                   |  |
| 8   | 201216   | Nut                           |  |
| 9   | 70513302 | Electronic Coin Drop Assembly | Euro and Great Britain   |
|     | 70294104 | Electronic Coin Drop Assembly | Euro, Denmark and Norway   |
|     | 70294106 | Electronic Coin Drop Assembly | Mexico, Ecuador and United States  |
|     | 70294107 | Electronic Coin Drop Assembly | Euro, Lithuania and Latvia   |
|     | 70294110 | Electronic Coin Drop Assembly | South Africa   |
|     | 70294111 | Electronic Coin Drop Assembly | Euro   |
|     | 70294122 | Electronic Coin Drop Assembly | Great Britain and token  |
|     | 70513311 | Electronic Coin Drop Assembly | Malaysia and China   |
|     | 70294117 | Electronic Coin Drop Assembly | Russia   |
|     | 70294120 | Electronic Coin Drop Assembly | Chile  |
|     | 70294121 | Electronic Coin Drop Assembly | Singapore  |

# Card Reader and Non-Vend Control Cabinet

Card and Non-Vend Models

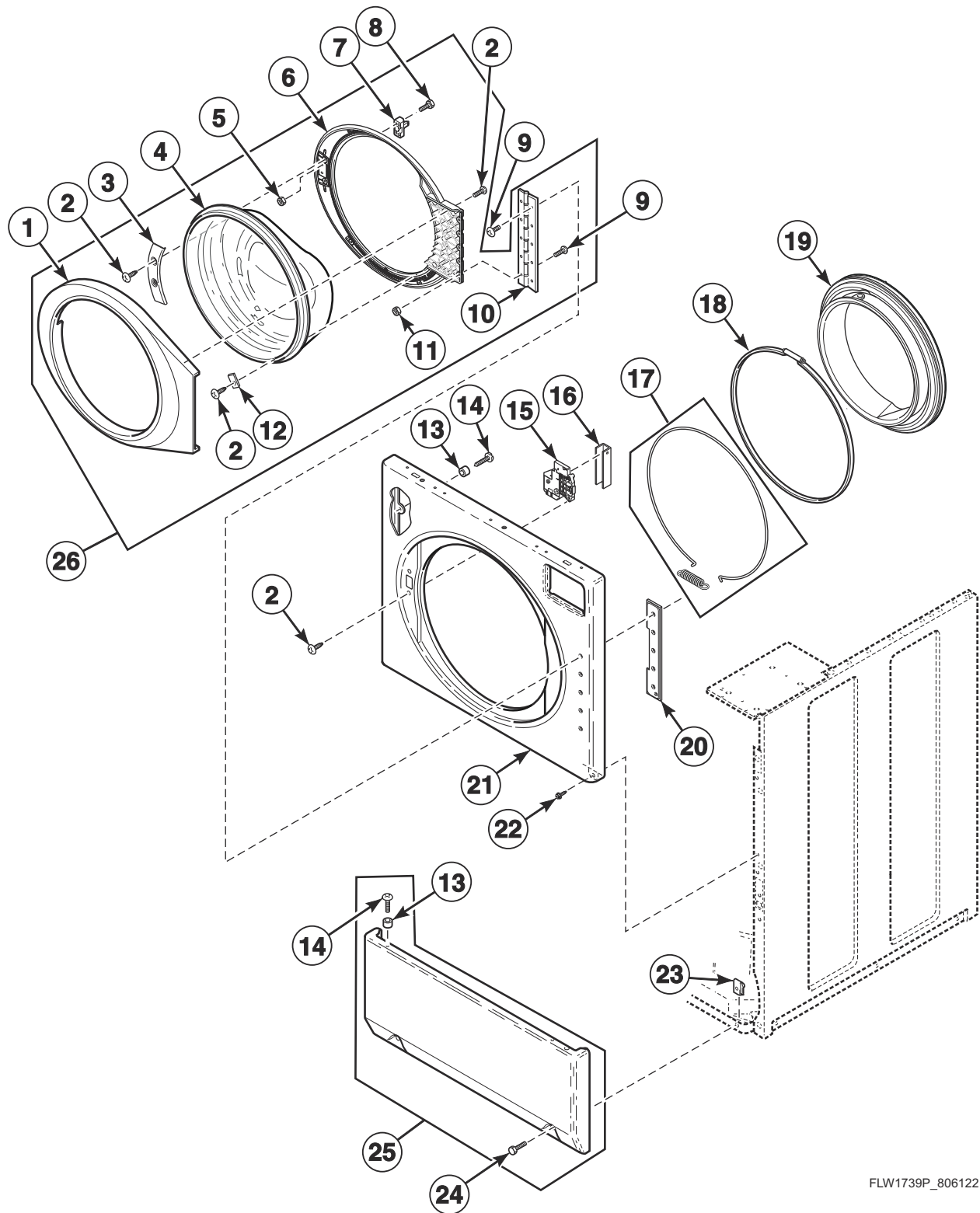


SWD1290P\_806122

## Card Reader and Non-Vend Control Cabinet

| REF | PART NO. | DESCRIPTION            | COMMENTS   |
|-----|----------|------------------------|--|
|     | 805667   | Operation Instructions | Washer; Icon; Models BTEBLASP433AW01 and BTGBLASP303AW01   |
| 1   | D514391  | Card Insert Overlay    | Models BTEBYASP173TW01, BTGBYASP113TW01, STEBYASP173TW01 and STGBYASP113TW01   |
|     | D514873  | Overlay                | Models HTEBYASP283CW01, HTGBYASP093CW01 and HTGBYASP113TW01  |
| 2   | 803972W  | Control Panel          | White; Models BTEBLASP433AW01 and BTGBLASP303AW01  |
|     | 803968W  | Control Panel          | White; Models BTEBYASP173TW01, BTGBYASP113TW01, HTEBYASP283CW01, HTGBYASP093CW01, HTGBYASP113TW01, STEBYASP173TW01 and STGBYASP113TW01 |
| 3   | D503688  | Screw                  |  |
| 4   | 804112W  | Wrapper Assembly       | White  |
| 5   | 70030501 | Expansion Clip         |  |
| 6   | 70240301 | Screw                  |  |
| 7   | 803998   | Rear Access Panel      |  |

# Front Panel, Door Assembly and Door Seal



FLW1739P\_806122

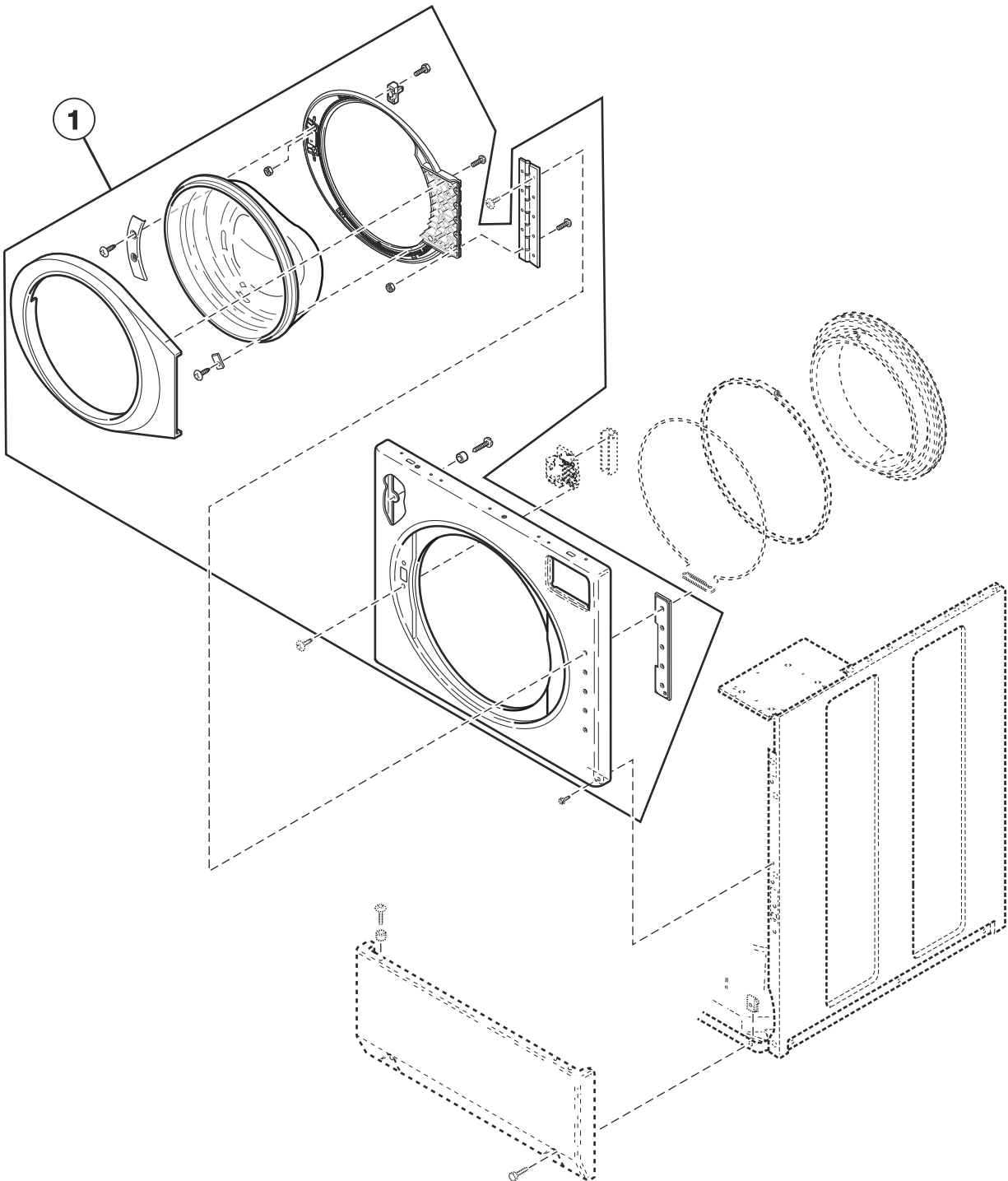


## Front Panel, Door Assembly and Door Seal

| REF | PART NO. | DESCRIPTION               | COMMENTS  |
|-----|----------|---------------------------|---|
| 1   | 803710WP | Outer Door Bezel          | White   |
|     | 803711P  | Outer Door Bezel          | Gray  |
| 2   | 800548   | Screw                     |   |
| 3   | 804239   | Door Glass Mounting Plate |   |
| 4   | 802695P  | Door Glass                |   |
| 5   | 685846   | Nut                       |   |
| 6   | 802307P  | Inner Door Bezel Kit      | White   |
|     | 802331P  | Inner Door Bezel Kit      | Gray  |
|     | 804562P  | Inner Door Bezel          | White; Glass-filled polypropylene upgrade   |
| 7   | 802803   | Door Catch Assembly       |   |
| 8   | 801993   | Screw                     |   |
| 9   | 801019   | Screw                     |   |
| 10  | 802934   | Door Hinge                |   |
| 11  | 23951    | Nut                       |   |
| 12  | 802700   | Glass Mounting Clip       | 7 required  |
| 13  | 56079    | Panel Locator             |   |
| 14  | 39733    | Screw                     |   |
| 15  | 803920   | Door Latch Assembly       |   |
| 16  | 804784   | Door Lock Drip Shield     | Models BTEBLASP433AW01, BTEBXASP173FW28, BTEBXASP433AW01, BTGBLASP303AW01, BTGBXASP113FW28, BTGBXASP303AW01, HTEBXASP133DW01, HTEBXASP173FW28, HTEBXASP543DW01, HTGBXASP113FW28, HTGBXASP123DW01, HTGBXASP543DW01, STEBXASP133DW01, STEBXASP173FW28, STEBXASP303UW01, STEBXASP433AW01, STEBXASP433AW12, STEBXASP543DW01, STEBXASP543ZW01, STGBXASP113FW28, STGBXASP123DW01, STGBXASP303AW01, STGBXASP303AW12, STGBXASP303ZW01 and STGBXASP543DW01 |
| 17  | 806466   | Wire Ring and Spring      |   |
| 18  | 802281   | Hose Clamp                | Seal to outer tub front   |
| 19  | 804428P  | Door Seal                 | Black   |
|     | 804429P  | Door Seal Assembly        | Gray  |
| 20  | 802206   | Hinge Plate               |   |
| 21  | 802277WP | Front Panel               | White   |
|     | 802277QP | Front Panel               | Bisque  |
| 22  | D503661  | Screw                     |   |
| 23  | 36020    | Nut                       |   |
| 24  | 801045   | Screw                     |   |
| 25  | 804617W  | Access Panel Assembly     | White   |
|     | 804617Q  | Access Panel Assembly     | Bisque  |
| 26  | 804083WP | Door Assembly             | White; Includes items 1-12  |
|     | 804210P  | Door Assembly             | Gray; Includes items 1-12   |

# Front Panel Assembly

Models BTEBCASP173TW01, BTEBYASP173TW01, BTGBCASP113TW01, BTGBYASP113TW01, HTEBCASP173TW01, HTGBCASP113TW01, HTGBYASP113TW01, STEBCASP173TW01, STEBXASP173TW01, STEBYASP173TW01, STGBCASP113TW01, STGBXASP113TW01 and STGBYASP113TW01

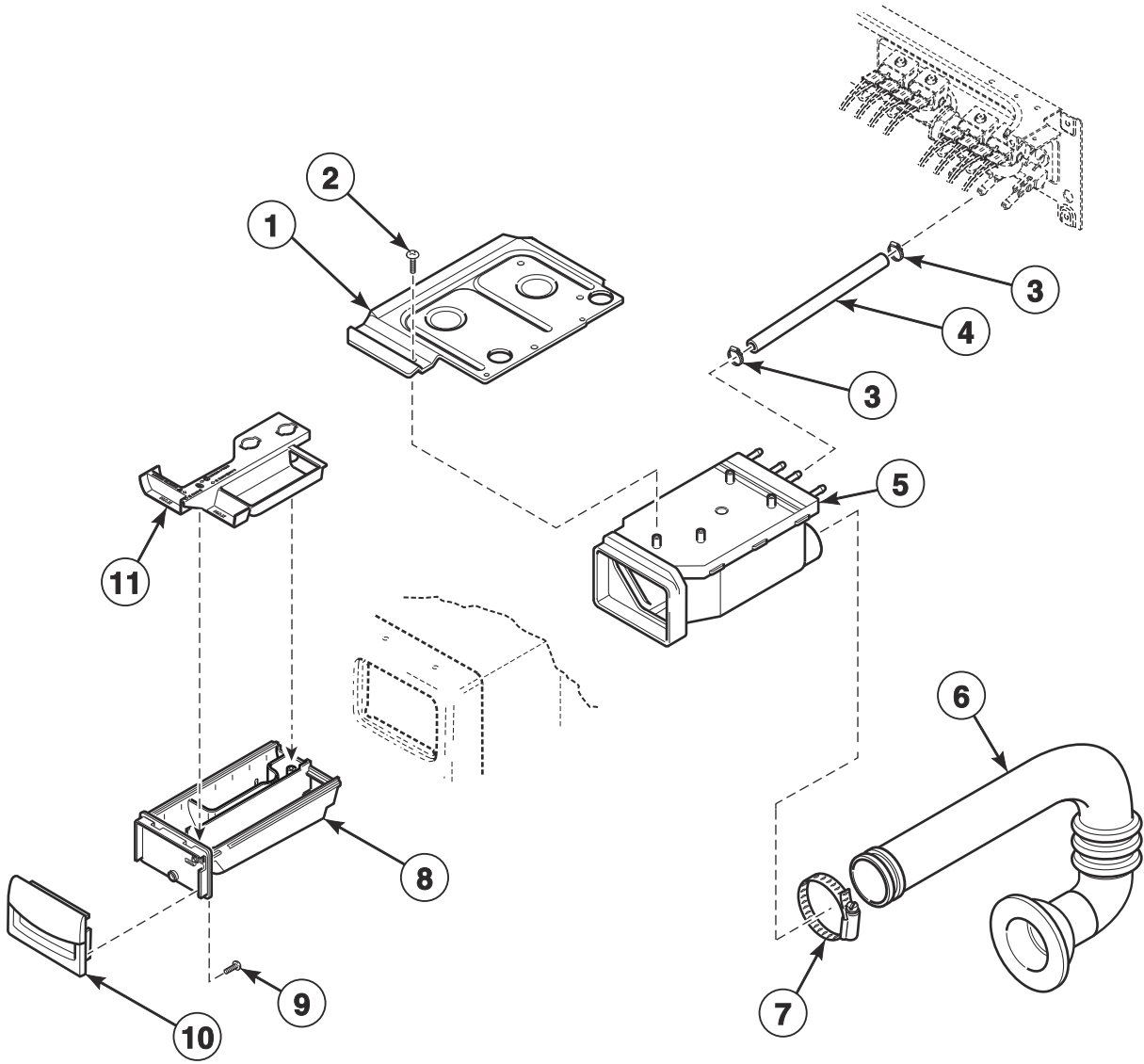


FLW1739PA\_806122

# Front Panel Assembly

| REF | PART NO. | DESCRIPTION              | COMMENTS |
|-----|----------|--------------------------|----------|
| 1   | 806505W  | Front Panel Assembly Kit | White    |

# Dispenser Assembly

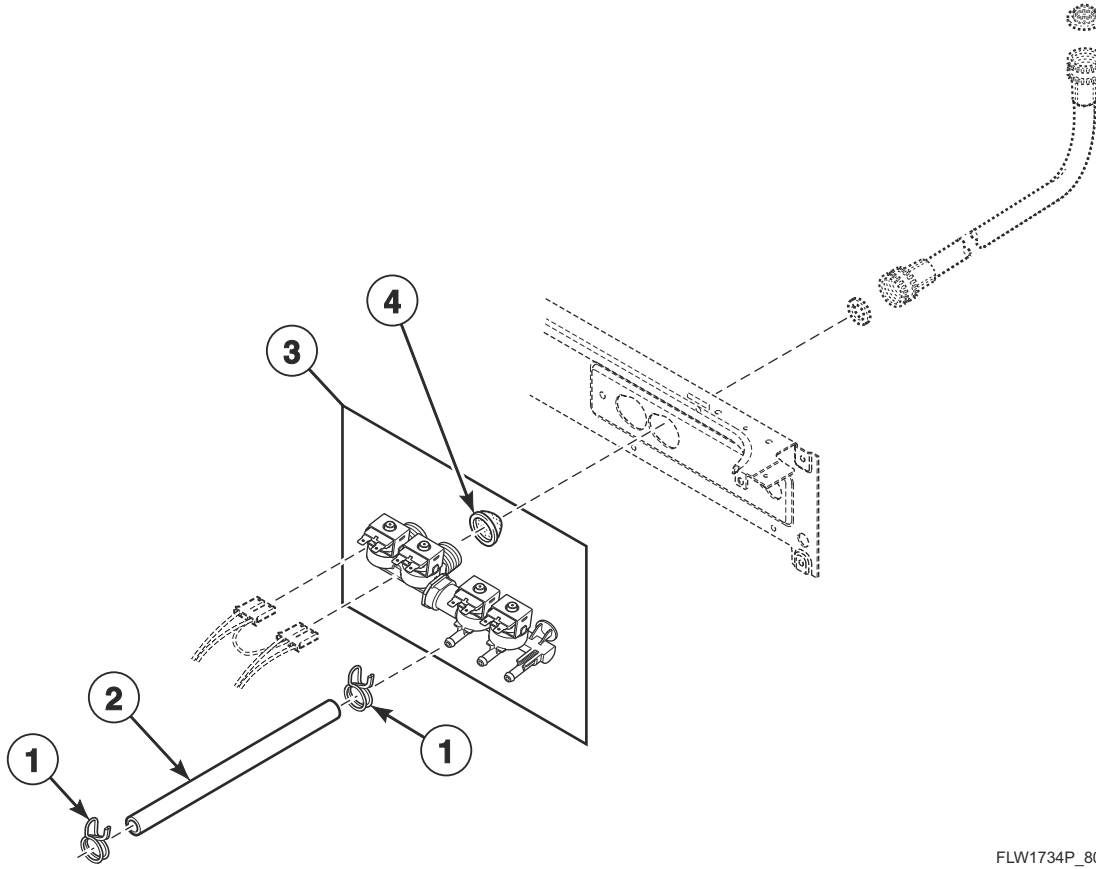


FLW1717P\_806122

# Dispenser Assembly

| REF | PART NO. | DESCRIPTION          | COMMENTS  |
|-----|----------|----------------------|---|
|     | 804875   | Foam Pad             |   |
| 1   | 803843   | Dispenser Plate      |   |
| 2   | 801001   | Screw                |   |
| 3   | 807386   | Hose Clamp           |   |
| 4   | 803849   | Dispenser Inlet Hose | Through Serial No. 1810000001   |
|     | 807364   | Dispenser Inlet Hose | Models BTEBLASP433AW01, BTEBXASP433AW01, BTGBLASP303AW01, BTGBXASP303AW01, STEBXASP433AW01, STEBXASP433AW12, STGBXASP303AW01 and STGBXASP303AW12 starting Serial No. 1810000001 and continuing through Serial no. 1905000001; All other models starting Serial No. 1810000001 |
|     | 806718   | Dispenser Inlet Hose | Models BTEBLASP433AW01, BTEBXASP433AW01, BTGBLASP303AW01, BTGBXASP303AW01, STEBXASP433AW01, STEBXASP433AW12, STGBXASP303AW01 and STGBXASP303AW12 starting Serial No. 1905000001   |
| 5   | 803698   | Dispenser Assembly   |   |
| 6   | 804717   | Detergent Hose       |   |
| 7   | 685725   | Hose Clamp           |   |
| 8   | 803667   | Dispenser Drawer     |   |
| 9   | 800548   | Screw                |   |
| 10  | 804227WP | Dispenser Handle     | White   |
| 11  | 803670   | Compartment Cover    |   |

# Mixing Valve and Valve-to-Dispenser Hose

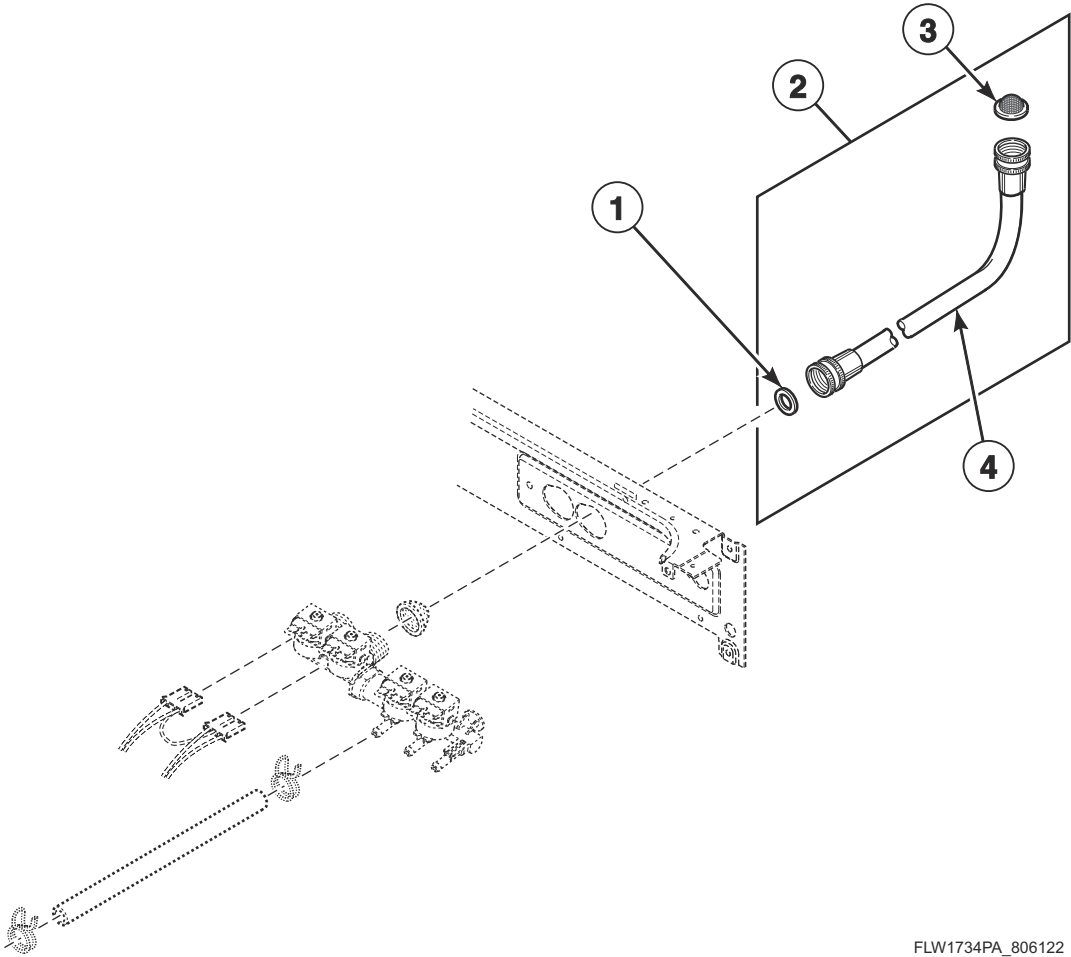


FLW1734P\_806122

## Mixing Valve and Valve-to-Dispenser Hose

| REF      | PART NO. | DESCRIPTION          | COMMENTS  |
|----------|----------|----------------------|---|
|          | 804783   | Mixing Valve Shield  | Models BTEBLASP433AW01, BTEBXASP173FW28, BTEBXASP433AW01, BTGBLASP303AW01, BTGBXASP113FW28, BTGBXASP303AW01, HTEBXASP133DW01, HTEBXASP173FW28, HTEBXASP543DW01, HTGBXASP113FW28, HTGBXASP123DW01, HTGBXASP543DW01, STEBXASP133DW01, STEBXASP173FW28, STEBXASP303UW01, STEBXASP433AW01, STEBXASP433AW12, STEBXASP543DW01, STEBXASP543ZW01, STGBXASP113FW28, STGBXASP123DW01, STGBXASP303AW01, STGBXASP303AW12, STGBXASP303ZW01 and STGBXASP543DW01 |
| <b>1</b> | 807386   | Hose Clamp           |   |
| <b>2</b> | 803849   | Dispenser Inlet Hose | Through Serial No. 1810000001   |
|          | 807364   | Dispenser Inlet Hose | Models BTEBLASP433AW01, BTEBXASP433AW01, BTGBLASP303AW01, BTGBXASP303AW01, STEBXASP433AW01, STEBXASP433AW12, STGBXASP303AW01 and STGBXASP303AW12 starting Serial No. 1810000001 and continuing through Serial no. 1905000001; All other models starting Serial No. 1810000001   |
|          | 806718   | Dispenser Inlet Hose | Models BTEBLASP433AW01, BTEBXASP433AW01, BTGBLASP303AW01, BTGBXASP303AW01, STEBXASP433AW01, STEBXASP433AW12, STGBXASP303AW01 and STGBXASP303AW12 starting Serial No. 1905000001   |
| <b>3</b> | 806612P  | Mixing Valve         | 240 Volt; Models BTEBLASP433AW01, BTEBXASP433AW01, BTGBLASP303AW01, BTGBXASP303AW01, HTEBXASP543DW01, HTGBXASP543DW01, NTEBXASP303NW01, NTEBXASP303NW22, NTGBXASP303NW01, NTLBXASP303NW26, STEBXASP303NW22, STEBXASP303UW01, STEBXASP433AW01, STEBXASP433AW12, STEBXASP543DW01, STEBXASP543ZW01, STGBXASP303AW01, STGBXASP303AW12, STGBXASP303NW22, STGBXASP303ZW01, STGBXASP543DW01 and TTEBXASP303NW22  |
|          | 806509P  | Mixing Valve         | 120 Volt; All other models  |
| <b>4</b> | 24122    | Mixing Valve Screen  |   |

# Fill Hose



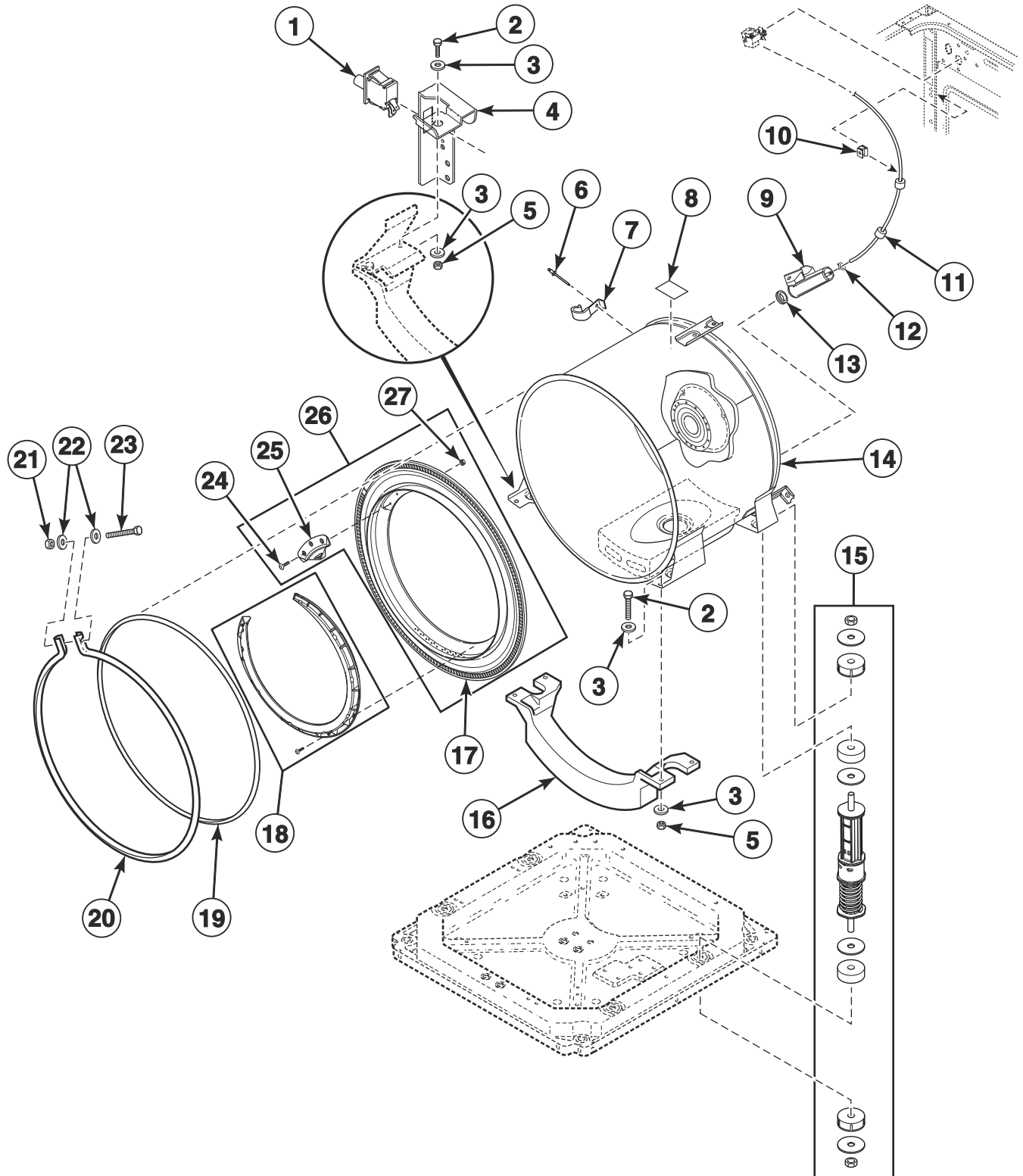
FLW1734PA\_806122



## Fill Hose

| REF | PART NO. | DESCRIPTION          | COMMENTS   |
|-----|----------|----------------------|--|
| 1   | 20290    | Washer               |  |
| 2   | 203676   | Hose and Washers Kit | Includes 2 of item 1; Models BTEBXASP173FW28, BTGBXASP113FW28, HTEBXASP133DW01, HTEBXASP173FW28, HTEBXASP543DW01, HTGBXASP113FW28, HTGBXASP123DW01, HTGBXASP543DW01, STEBXASP133DW01, STEBXASP173FW28, STEBXASP543DW01, STGBXASP113FW28, STGBXASP123DW01 and STGBXASP543DW01   |
|     | 203675   | Hose and Washers Kit | Includes 2 of item 1; Models BTEBLASP433AW01, BTEBXASP433AW01, BTGBLASP303AW01, BTGBXASP303AW01, NTEBXASP303NW01, NTEBXASP303NW22, NTGBXASP303NW01, NTLBXASP303NW26, STEBXASP303NW22, STEBXASP303UW01, STEBXASP433AW01, STEBXASP433AW12, STEBXASP543ZW01, STGBXASP303AW01, STGBXASP303AW12, STGBXASP303NW22, STGBXASP303ZW01 and TTEBXASP303NW22   |
|     | F200116  | Water Hose           | 5 feet; Hose is equipped with 2 standard hose couplings; Includes items 5 and 7; All other models  |
| 3   | 803615   | Washer               | Filter screen  |
|     | 802254   | Washer               | Flow restrictor; Water pressure reducer; Available for water pressure up to but not exceeding 120 psi  |
| 4   | 202799   | Fill Hose            | 4 feet; Hose is equipped with 2 standard hose couplings; Models BTEBXASP173FW28, BTGBXASP113FW28, HTEBXASP133DW01, HTEBXASP173FW28, HTEBXASP543DW01, HTGBXASP113FW28, HTGBXASP123DW01, HTGBXASP543DW01, STEBXASP133DW01, STEBXASP173FW28, STEBXASP543DW01, STGBXASP113FW28, STGBXASP123DW01 and STGBXASP543DW01  |
|     | 202800   | Fill Hose            | 4 feet; Hose is equipped with 1 standard and 1 BSPP hose coupling; Models BTEBLASP433AW01, BTEBXASP433AW01, BTGBLASP303AW01, BTGBXASP303AW01, NTEBXASP303NW01, NTEBXASP303NW22, NTGBXASP303NW01, NTLBXASP303NW26, STEBXASP303NW22, STEBXASP303UW01, STEBXASP433AW01, STEBXASP433AW12, STEBXASP543ZW01, STGBXASP303AW01, STGBXASP303AW12, STGBXASP303NW22, STGBXASP303ZW01 and TTEBXASP303NW22  |
|     | F8498701 | Fill Hose            | 5 feet; Hose is equipped with 2 standard hose couplings; Models BTEBXASP173FW28, BTGBXASP113FW28, HTEBXASP133DW01, HTEBXASP173FW28, HTEBXASP543DW01, HTGBXASP113FW28, HTGBXASP123DW01, HTGBXASP543DW01, STEBXASP133DW01, STEBXASP173FW28, STEBXASP543DW01, STGBXASP113FW28, STGBXASP123DW01 and STGBXASP543DW01  |
|     | 202931   | Fill Hose            | 10 feet; Hose is equipped with 1 standard and 1 BSPP hose coupling; Models BTEBLASP433AW01, BTEBXASP433AW01, BTGBLASP303AW01, BTGBXASP303AW01, NTEBXASP303NW01, NTEBXASP303NW22, NTGBXASP303NW01, NTLBXASP303NW26, STEBXASP303NW22, STEBXASP303UW01, STEBXASP433AW01, STEBXASP433AW12, STEBXASP543ZW01, STGBXASP303AW01, STGBXASP303AW12, STGBXASP303NW22, STGBXASP303ZW01 and TTEBXASP303NW22 |
|     | 20617    | Fill Hose            | 8 feet; Hose is equipped with 2 standard hose couplings; All other models  |
|     | 20618    | Fill Hose            | 10 feet; Hose is equipped with 2 standard hose couplings; All other models   |

# Outer Tub, Front and Clamp Ring

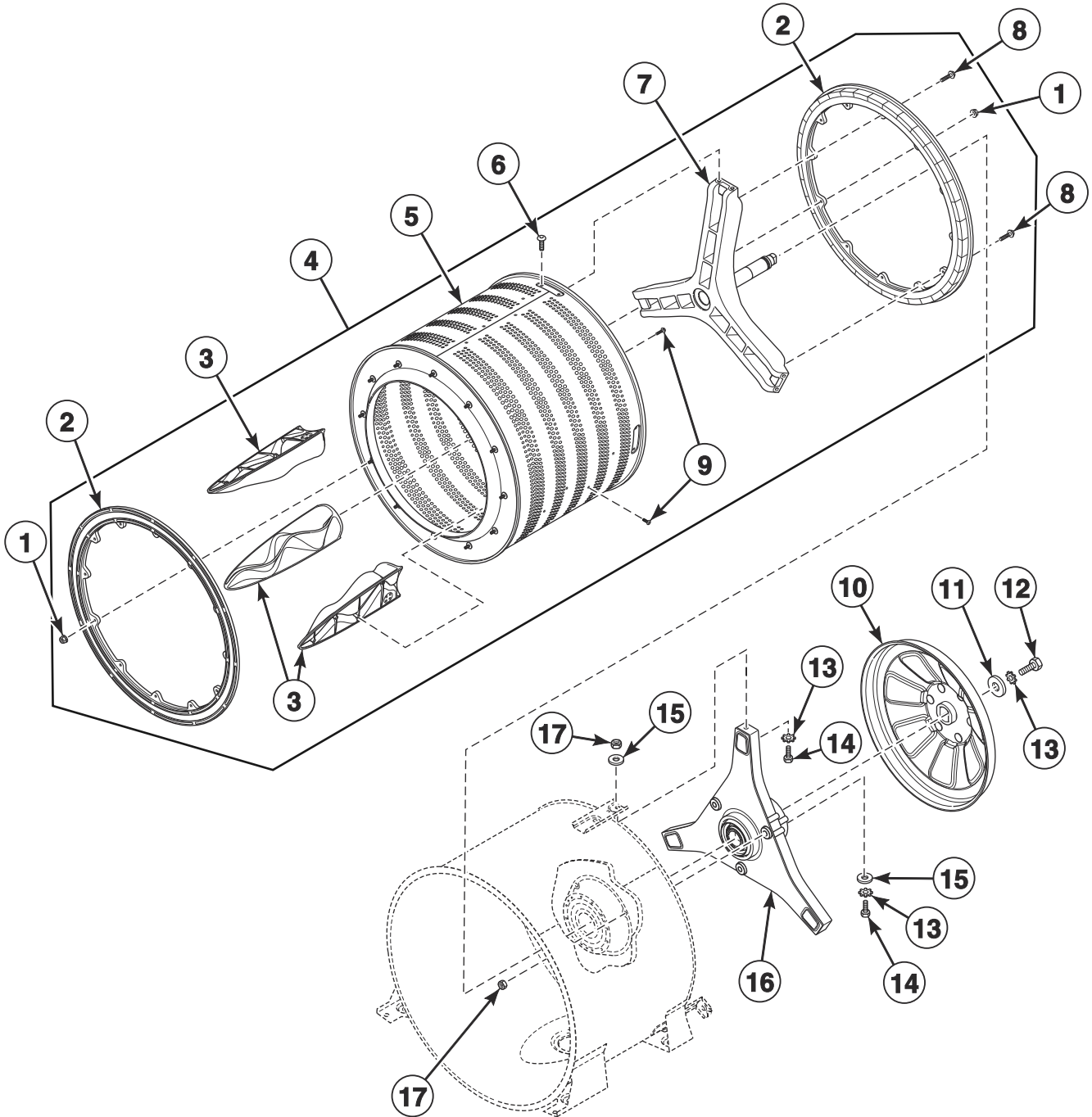


FLW1809P\_806122

## Outer Tub, Front and Clamp Ring

| REF | PART NO. | DESCRIPTION                    | COMMENTS                         |
|-----|----------|--------------------------------|----------------------------------|
| 1   | 803415   | Out-of-Balance Switch Assembly | Through Serial No. 2012999999    |
|     | 807384   | Out-of-Balance Switch Assembly | Starting Serial No. 2101000001   |
| 2   | 800461   | Screw                          |                                  |
| 3   | 804458   | Washer                         |                                  |
| 4   | 804457   | Out-of-Balance Switch Bracket  | Through Serial No. 2012999999    |
|     | 807280   | Out-of-Balance Switch Bracket  | Starting Serial No. 2101000001   |
| 5   | 800452   | Nut                            |                                  |
| 6   | 685847   | Pop Rivet                      |                                  |
| 7   | 800553   | Hose Clip                      |                                  |
| 8   | D500049  | Warning Label                  |                                  |
| 9   | 803837   | Pressure Bulb                  |                                  |
| 10  | 36985    | Hose Clip                      |                                  |
| 11  | 804483   | Pressure Sensor Tube Assembly  |                                  |
| 12  | 803891   | Hose Clamp                     |                                  |
| 13  | 29175    | Grommet                        |                                  |
| 14  | 803864   | Outer Tub Assembly             |                                  |
| 15  | 803777P  | Shock Assembly                 | Must replace all four            |
| 16  | 803810   | Counterweight                  | Through Serial No. 2012999999    |
|     | 807476   | Counterweight                  | Starting Serial No. 2101000001   |
| 17  | 803770   | Tub Front                      |                                  |
| 18  | 806308   | Foreign Object Deflector       | Black; Includes screws           |
|     | 806313   | Foreign Object Deflector       | Gray; Includes screws            |
|     | 806361   | Foreign Object Deflector       | Tall; Gray; Includes screws      |
| 19  | 803801   | Tub Front Seal                 |                                  |
| 20  | 803802   | Clamp Ring                     |                                  |
| 21  | F430218  | Nut                            |                                  |
| 22  | M400081  | Washer                         |                                  |
| 23  | 800462   | Screw                          |                                  |
| 24  | 802596   | Screw                          |                                  |
| 25  | 804467   | Clothes Guard Deflector        |                                  |
|     | 805548   | Clothes Guard Deflector        | Heavy duty                       |
| 26  | 803879   | Tub Front Assembly             | Includes items 17, 24, 25 and 27 |
| 27  | 802343   | Nut                            |                                  |

# Inner Basket, Trunnion, Bearing Housing and Pulley

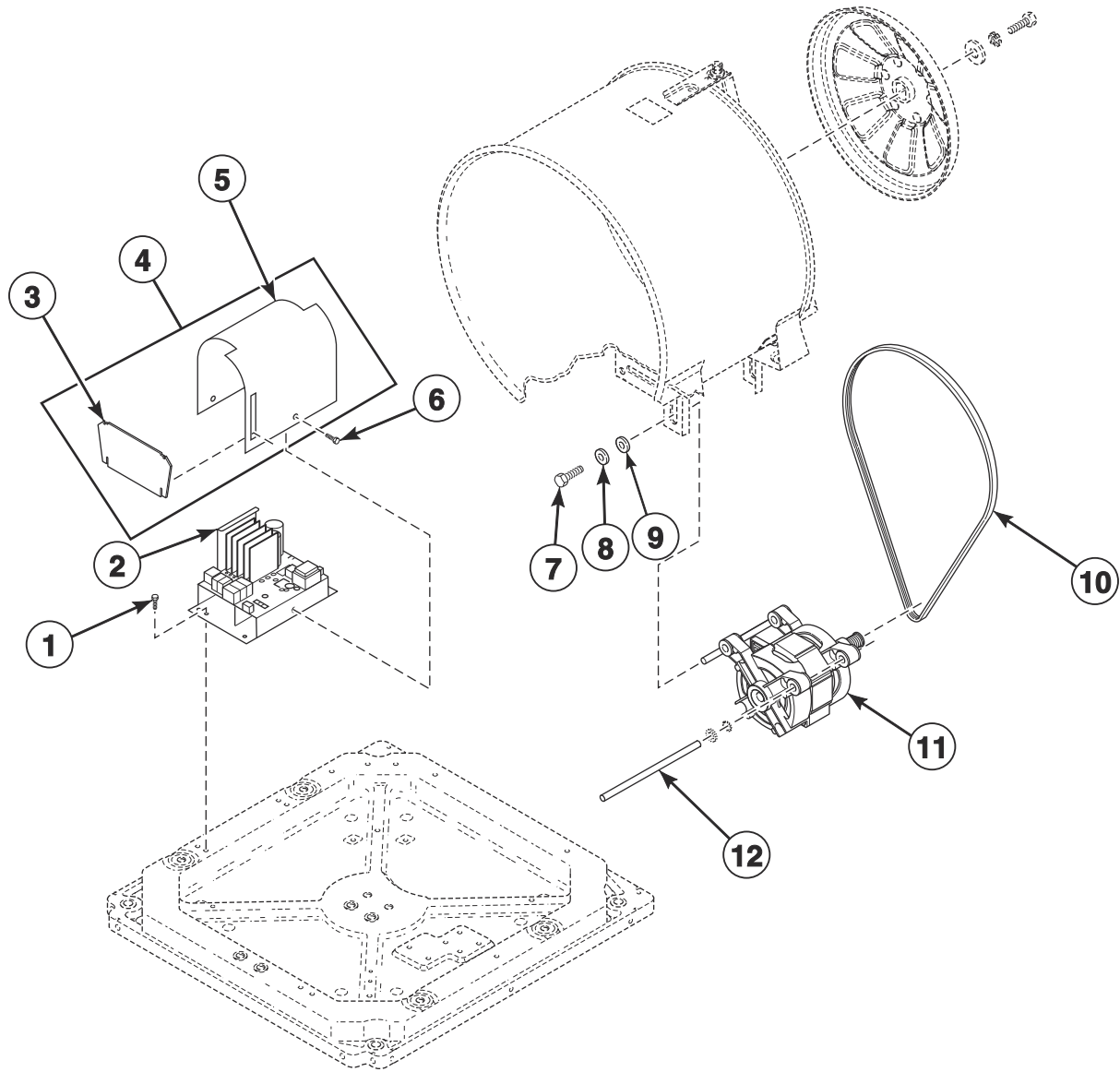


FLW1803P\_806122

## Inner Basket, Trunnion, Bearing Housing and Pulley

| REF | PART NO. | DESCRIPTION               | COMMENTS   |
|-----|----------|---------------------------|--|
|     | 27604P   | Anti-Seize Compound       | Pulley to inner basket shaft   |
| 1   | 804418   | Nut                       |  |
| 2   | 804393   | Balance Ring Assembly     |  |
| 3   | 804382   | Lifter                    |  |
| 4   | 805485   | Inner Basket Assembly     | Includes items 1-3 and 5-9; Models STEBXASP433AW12 and STGBXASP303AW12 |
|     | 804376P  | Inner Basket Assembly Kit | Includes items 1-3 and 5-9; All other models                           |
| 5   | 804374P  | Inner Basket Assembly     |  |
| 6   | 804699   | Screw                     |  |
| 7   | 806831   | Trunnion Kit              | Includes hardware; Models STEBXASP433AW12 and STGBXASP303AW12          |
|     | 808043P  | Trunnion Shaft Kit        | Includes hardware and tool; All other models                           |
| 8   | 804399   | Screw                     |  |
| 9   | 800548   | Screw                     |  |
| 10  | 803974   | Pulley Assembly           |  |
| 11  | 807679   | Washer                    |  |
| 12  | 685831   | Screw                     | Left hand thread   |
| 13  | M403958  | Washer                    | Washer used on pulley through Serial No. 1609046805                    |
| 14  | M400043  | Screw                     |  |
| 15  | 800457   | Washer                    |  |
| 16  | 805525   | Bearing Housing Kit       | Includes hardware and tool   |
| 17  | 800452   | Nut                       |  |

# Motor and Belt



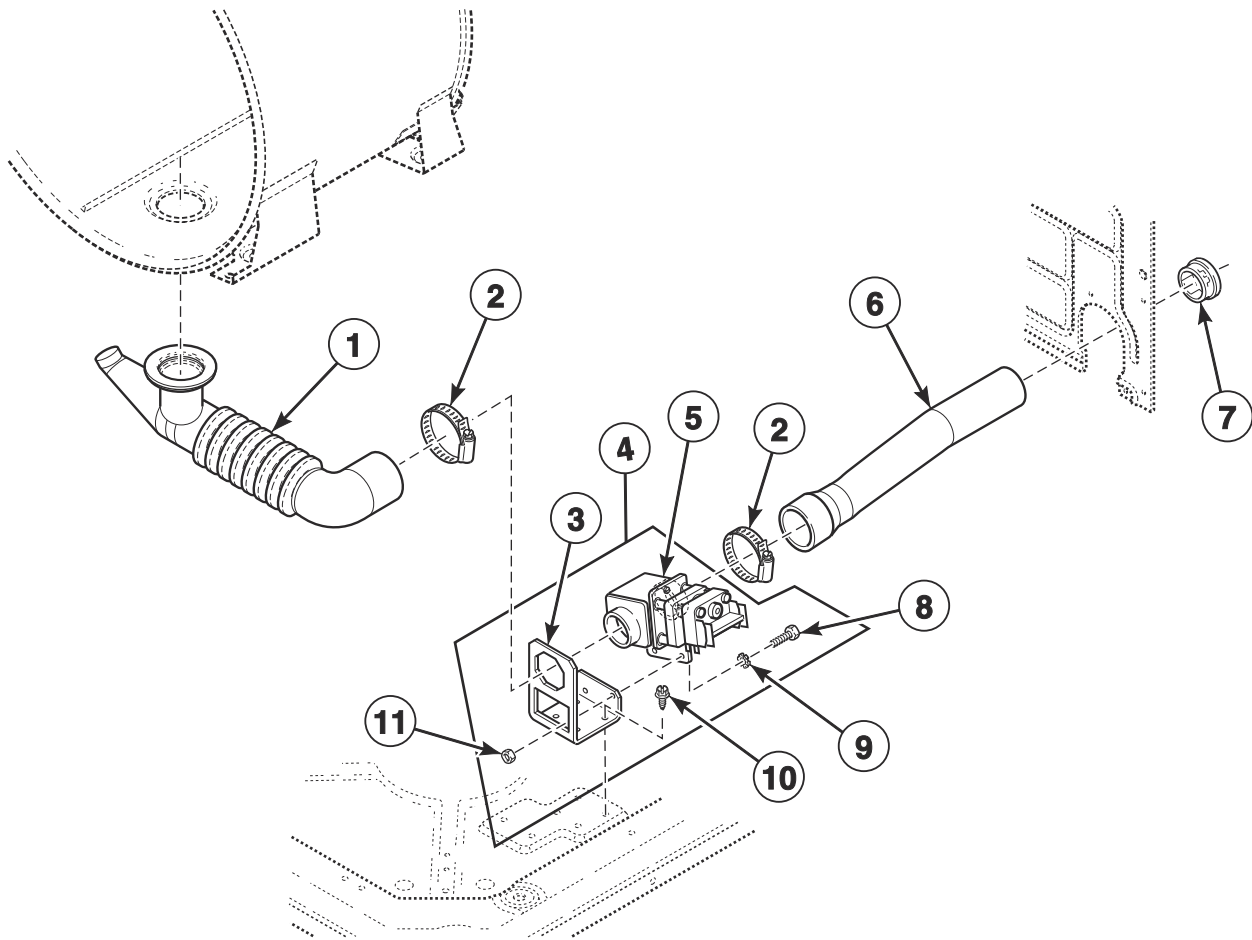
FLW1794P\_806122

## Motor and Belt

| REF       | PART NO. | DESCRIPTION                | COMMENTS  |
|-----------|----------|----------------------------|---|
|           | 807441   | Control Bracket            | Starting Serial No. 2101000001  |
|           | F8206901 | Screw                      | Starting Serial No. 2101000001; Use with 807441 Control Bracket   |
| <b>1</b>  | D503661  | Screw                      |   |
| <b>2</b>  | 807175P  | Inverter Control Assembly  | Through Serial No. 2012999999   |
|           | 807240   | Output Control Assembly    | 120 Volt; Without filter; Starting Serial No. 2101000001  |
|           | 807243   | Output Control Assembly    | 240 Volt; With filter; Starting Serial No. 2101000001   |
| <b>3</b>  | 806258   | End Shield                 | Models BTEBLASP433AW01, BTEBXASP173FW28, BTEBXASP433AW01, BTGBLASP303AW01, BTGBXASP113FW28, BTGBXASP303AW01, HTEBXASP133DW01, HTEBXASP173FW28, HTEBXASP543DW01, HTGBXASP113FW28, HTGBXASP123DW01, HTGBXASP543DW01, STEBXASP133DW01, STEBXASP173FW28, STEBXASP303UW01, STEBXASP433AW01, STEBXASP433AW12, STEBXASP543DW01, STEBXASP543ZW01, STGBXASP113FW28, STGBXASP123DW01, STGBXASP303AW01, STGBXASP303AW12, STGBXASP303ZW01 and STGBXASP543DW01                         |
| <b>4</b>  | 806498   | Motor Control Shield       | Includes items 3 and 5; Models BTEBLASP433AW01, BTEBXASP173FW28, BTEBXASP433AW01, BTGBLASP303AW01, BTGBXASP113FW28, BTGBXASP303AW01, HTEBXASP133DW01, HTEBXASP173FW28, HTEBXASP543DW01, HTGBXASP113FW28, HTGBXASP123DW01, HTGBXASP543DW01, STEBXASP133DW01, STEBXASP173FW28, STEBXASP303UW01, STEBXASP433AW01, STEBXASP433AW12, STEBXASP543DW01, STEBXASP543ZW01, STGBXASP113FW28, STGBXASP123DW01, STGBXASP303AW01, STGBXASP303AW12, STGBXASP303ZW01 and STGBXASP543DW01 |
| <b>5</b>  | 804878   | Motor Control Shield       | Through Serial No. 2012999999   |
| <b>6</b>  | D501524  | Screw                      |   |
| <b>7</b>  | M400057  | Screw                      | Through Serial No. 2010999999   |
|           | 02916    | Screw                      | Starting Serial No. 2011000001  |
| <b>8</b>  | 02834    | Washer                     | Through Serial No. 2010999999   |
| <b>9</b>  | M400080  | Washer                     | Through Serial No. 2010999999   |
| <b>10</b> | 804985   | Drive Belt                 |   |
| <b>11</b> | 805726P  | Motor and Rod Assembly Kit | Includes item 12; Through Serial No.2012999999  |
|           | 808067P  | Motor and Rod Assembly Kit | Includes item 12; Starting Serial No. 2101000001  |
| <b>12</b> | 803861   | Motor Rod                  | Through Serial No. 2010999999   |
|           | 807739   | Motor Rod                  | Starting Serial No. 2011000001  |

# Drain Hoses and Valve

Model STGBXASG113TW01



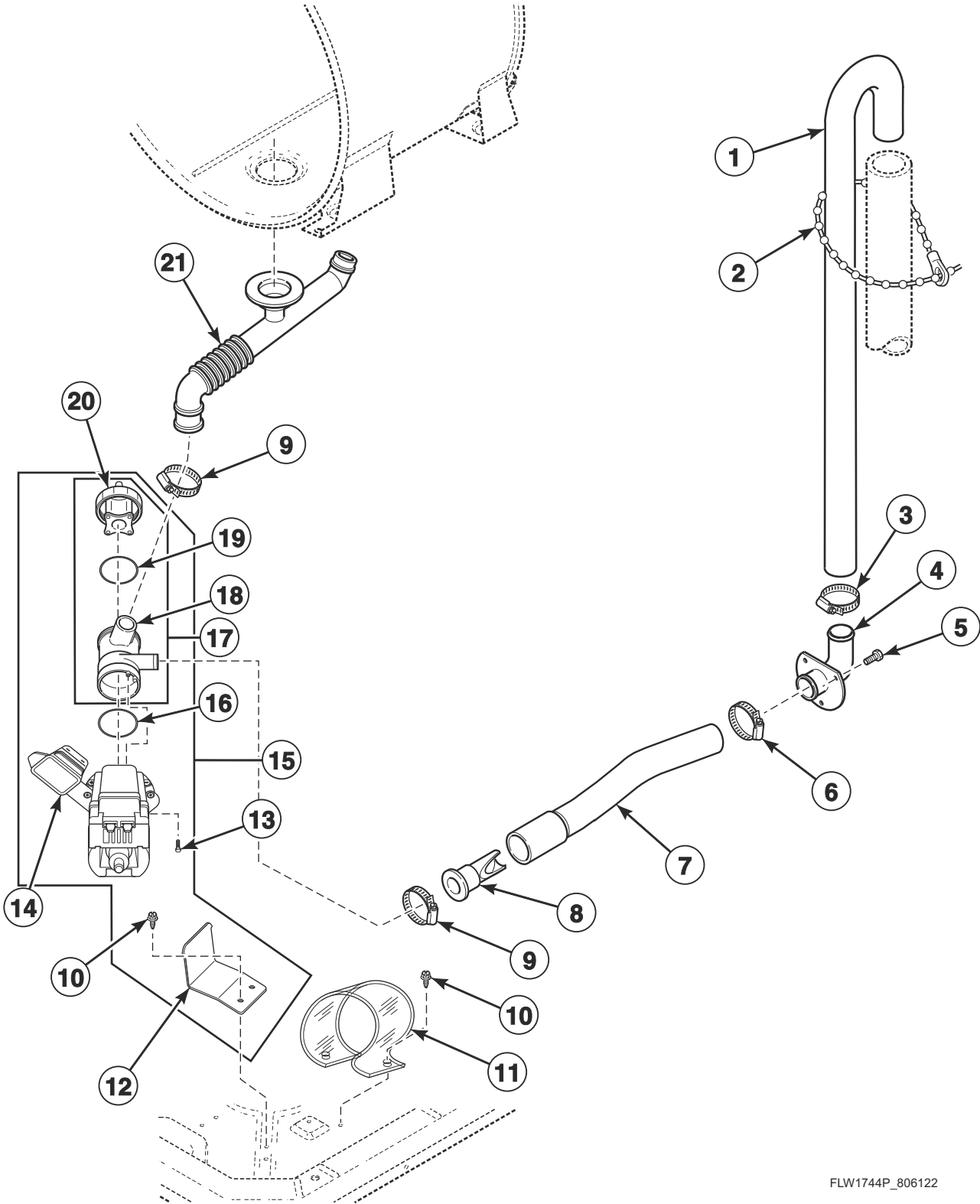
FLW1745P\_806122



## Drain Hoses and Valve

| REF | PART NO. | DESCRIPTION               | COMMENTS |
|-----|----------|---------------------------|----------|
| 1   | 803874   | Tub-to-Gravity Drain Hose |          |
| 2   | 685725   | Hose Clamp                |          |
| 3   | 803291   | Gravity Drain Bracket     |          |
| 4   | F975P3   | Drain Valve Kit           | 120 Volt |
| 5   | 803293P  | Drain Valve               | 120 Volt |
| 6   | 800903   | Drain-to-Cabinet Hose     |          |
| 7   | D503235  | Snap Bushing              |          |
| 8   | 02916    | Screw                     |          |
| 9   | M400017  | Washer                    |          |
| 10  | D503661  | Screw                     |          |
| 11  | 29786    | Nut                       |          |

# Drain Hose and Pump

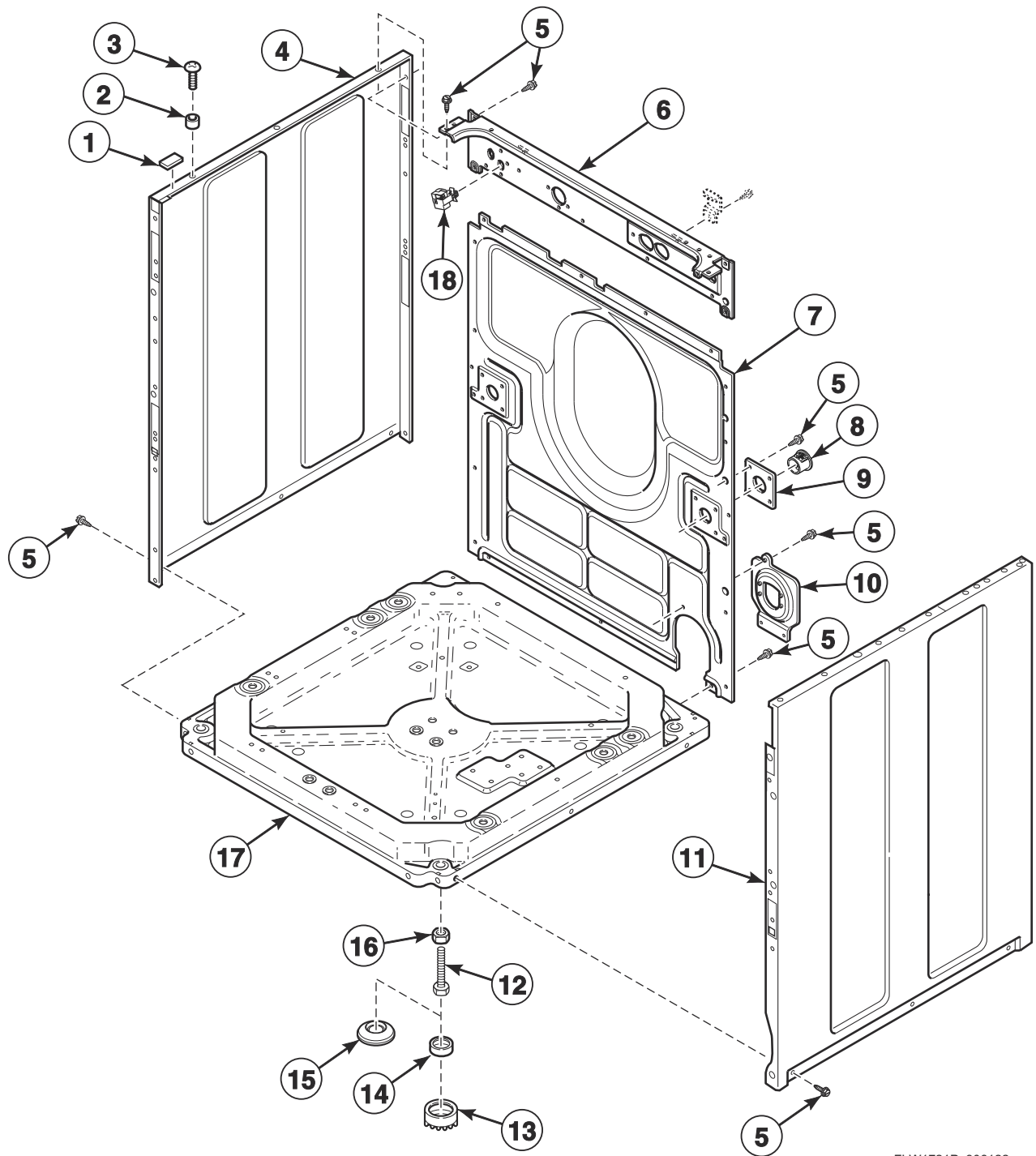


FLW1744P\_806122

# Drain Hose and Pump

| REF | PART NO. | DESCRIPTION            | COMMENTS  |
|-----|----------|------------------------|---|
| 1   | 27154    | Drain Hose             |   |
| 2   | 33489    | Standpipe Strap        |   |
| 3   | 20211    | Hose Clamp             |   |
| 4   | 35766    | Drain Hose Elbow       |   |
| 5   | 52909    | Screw                  |   |
| 6   | 20391    | Hose Clamp             |   |
| 7   | 803734   | Pump-to-Elbow Hose     |   |
| 8   | 800310   | Backflow Preventer     |   |
| 9   | F200204  | Hose Clamp             |   |
| 10  | D503661  | Screw                  |   |
| 11  | 805561   | Drain Pump Drip Shield | Models BTEBLASP433AW01, BTEBXASP173FW28, BTEBXASP433AW01, BTGBLASP303AW01, BTGBXASP113FW28, BTGBXASP303AW01, HTEBXASP133DW01, HTEBXASP173FW28, HTEBXASP543DW01, HTGBXASP113FW28, HTGBXASP123DW01, HTGBXASP543DW01, STEBXASP133DW01, STEBXASP173FW28, STEBXASP303UW01, STEBXASP433AW01, STEBXASP433AW12, STEBXASP543DW01, STEBXASP543ZW01, STGBXASP113FW28, STGBXASP123DW01, STGBXASP303AW01, STGBXASP303AW12, STGBXASP303ZW01 and STGBXASP543DW01 |
| 12  | 803814   | Drain Base Bracket     |   |
| 13  | 802431   | Screw                  |   |
| 14  | 803815   | Drain Pump Isolator    |   |
| 15  | 805722P  | Drain Pump Assembly    | 208-240 Volt; 60 Hertz; Includes items 10, 12-14 and 16-20; Models HTEBXASP543DW01, HTGBXASP543DW01, STEBXASP543DW01, STEBXASP543ZW01 and STGBXASP543DW01   |
|     | 803922   | Drain Pump Assembly    | 220-240 Volt; 50 Hertz; Includes items 10, 12-14 and 16-20; Models BTEBLASP433AW01, BTEBXASP433AW01, BTGBLASP303AW01, BTGBXASP303AW01, NTEBXASP303NW01, NTEBXASP303NW22, NTGBXASP303NW01, NTLBXASP303NW26, STEBXASP303NW22, STEBXASP303UW01, STEBXASP433AW01, STEBXASP433AW12, STGBXASP303AW01, STGBXASP303AW12, STGBXASP303NW22, STGBXASP303ZW01 and TTEBXASP303NW22   |
|     | 805724P  | Drain Pump Assembly    | 100-127 Volt; 60 Hertz; Includes items 10, 12-14 and 16-20; Models BTEBXASP173FW28, BTGBXASP113FW28, HTEBXASP133DW01, HTEBXASP173FW28, HTGBXASP113FW28, HTGBXASP123DW01, STEBXASP133DW01, STEBXASP173FW28, STGBXASP113FW28 and STGBXASP123DW01  |
|     | 805724P  | Drain Pump Assembly    | 120 Volt; 60 Hertz; Includes items 10, 12-14 and 16-20; All other models  |
| 16  | 802429P  | O-Ring                 |   |
| 17  | 802434P  | Pump Housing Assembly  | Includes items 18-20  |
| 18  | 802428   | Pump Housing           |   |
| 19  | 802427   | Gasket                 |   |
| 20  | 802426P  | Lid Assembly           | Includes filter   |
| 21  | 803829   | Tub-to-Pump Hose       |   |
|     | 27615P   | Sealant                | Tub-to-pump hose to outer tub   |

# Base, Side Panels and Rear Panel



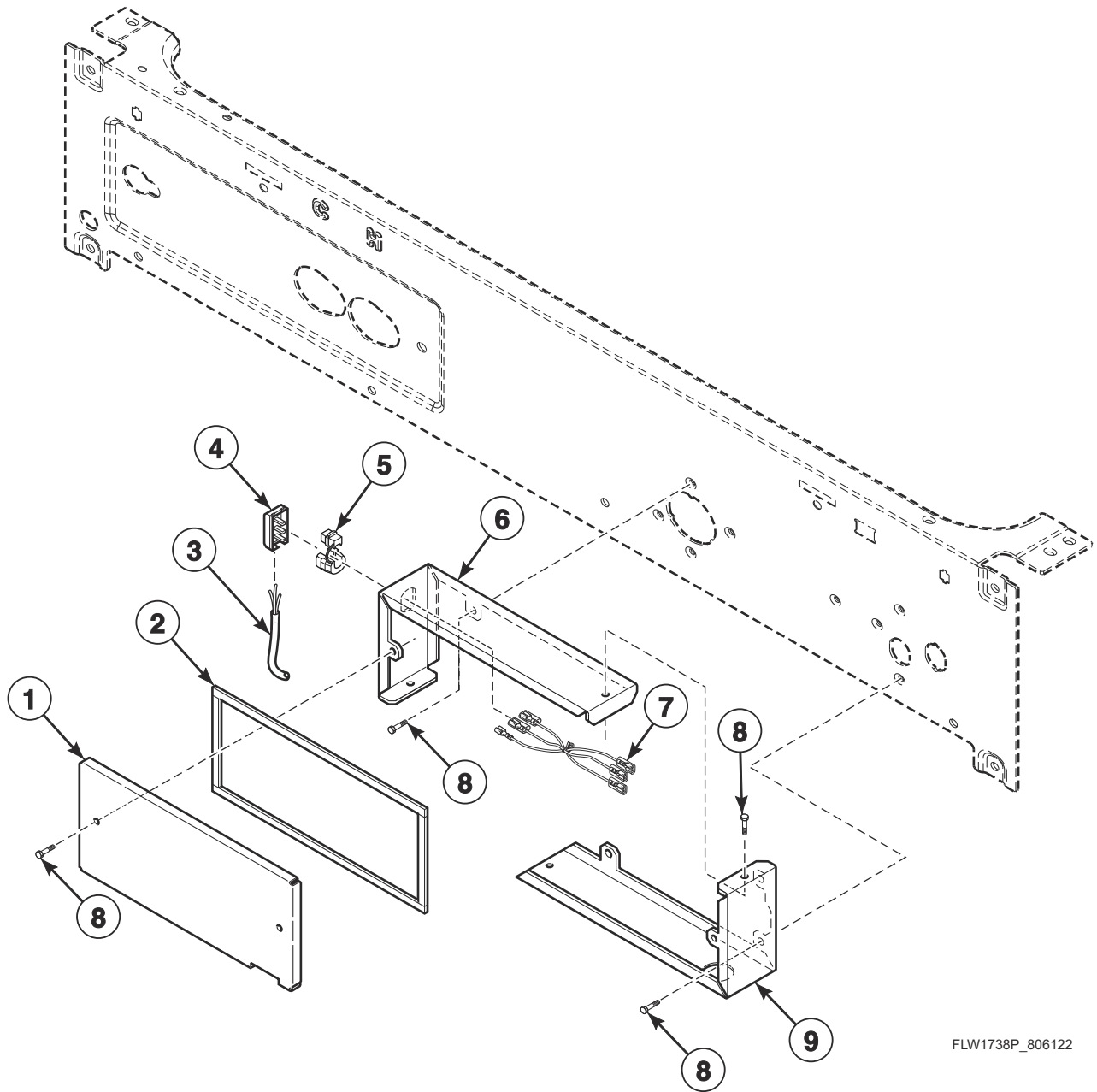
FLW1721P\_806122

## Base, Side Panels and Rear Panel

| REF | PART NO. | DESCRIPTION                 | COMMENTS   |
|-----|----------|-----------------------------|--|
|     | 122P4P   | Porcelain Touch-Up Paint    | White  |
| 1   | 36226    | Bumper Pad                  |  |
| 2   | 56079    | Panel Locator               |  |
| 3   | 39733    | Screw                       |  |
| 4   | 800004WP | Cabinet Panel Kit           | Left; White; Includes corner gusset with hardware  |
|     | 800004QP | Cabinet Panel Kit           | Left; Bisque   |
| 5   | D503661  | Screw                       |  |
| 6   | 803790   | Rear Panel                  | Fixed  |
| 7   | 803789   | Rear Panel                  | Removable  |
| 8   | 803859   | Shipping Plug               |  |
| 9   | 803851   | Shipping Plate              |  |
| 10  | 803828   | Drain Hose Bracket          |  |
| 11  | 806492   | Side Panel Kit              | Right; White   |
|     | 800005QP | Side Panel Kit              | Right; Bisque  |
| 12  | 34319    | Leveling Leg                |  |
| 13  | D501855  | Rubber Foot                 | Use to prevent movement on smooth surface floor coverings; Install over two existing front rubber feet (item 14) |
| 14  | 34318    | Rubber Foot                 |  |
| 15  | 155P3    | Anchor                      | Includes 4 rubber discs with adhesive backing  |
|     | 802844P  | Anchor Floor Mount Assembly | Includes 2 rubber discs with adhesive backing  |
| 16  | 21899    | Nut                         |  |
| 17  | 803876   | Base Assembly               |  |
| 18  | 203843   | Pressure Sensor             |  |

# Washer Junction Box

Models BTEBLASP433AW01, BTEBXASP173FW28, BTEBXASP433AW01, BTGBLASP303AW01, BTGBXASP113FW28, BTGBXASP303AW01, HTEBXASP133DW01, HTEBXASP173FW28, HTEBXASP543DW01, HTGBXASP113FW28, HTGBXASP123DW01, HTGBXASP543DW01, NTEBXASP303NW01, NTEBXASP303NW22, NTGBXASP303NW01, NTLBXASP303NW26, STEBXASP133DW01, STEBXASP173FW28, STEBXASP303NW22, STEBXASP303UW01, STEBXASP433AW01, STEBXASP433AW12, STEBXASP543DW01, STEBXASP543ZW01, STGBXASP113FW28, STGBXASP123DW01, STGBXASP303AW01, STGBXASP303AW12, STGBXASP303NW22, STGBXASP303ZW01, STGBXASP543DW01 and TTEBXASP303NW22

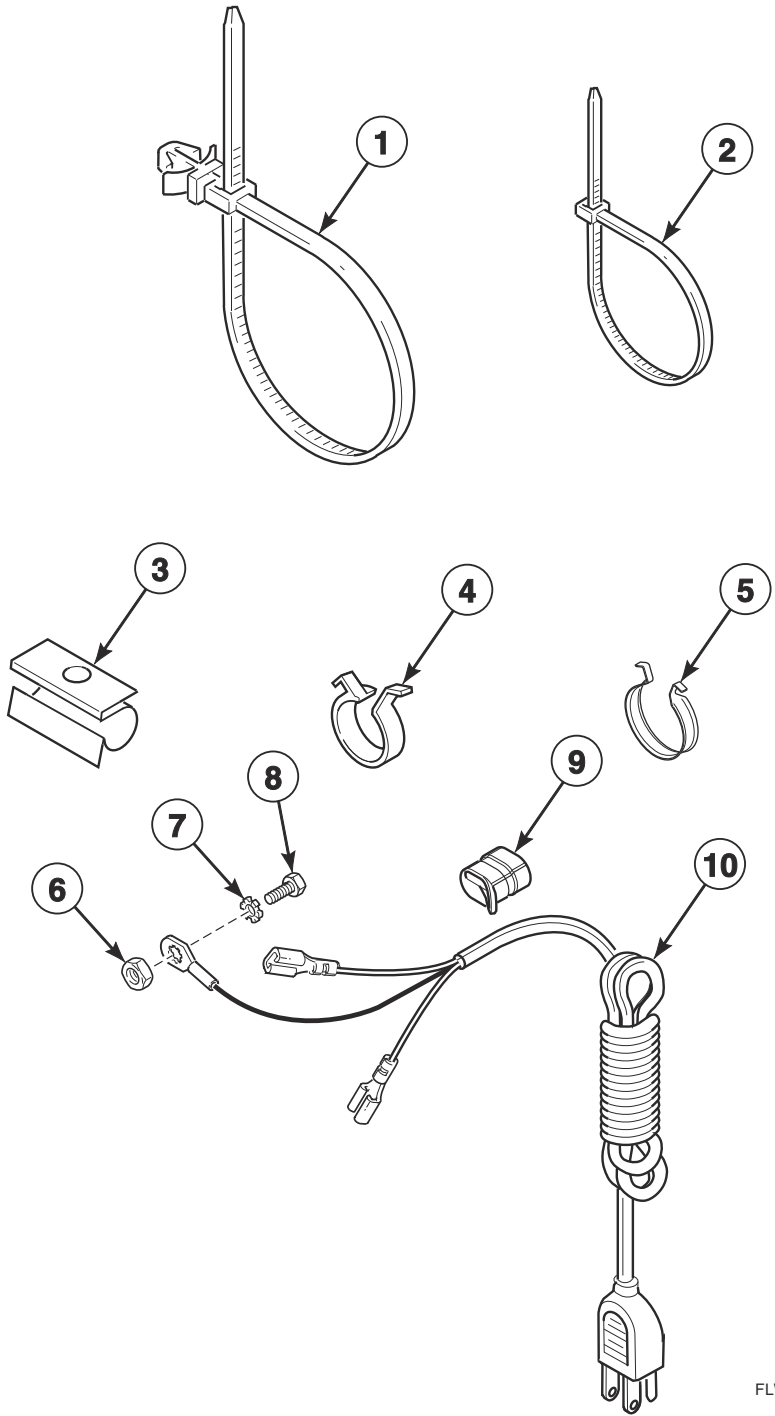


FLW1738P\_806122

# Washer Junction Box

| REF | PART NO. | DESCRIPTION           | COMMENTS  |
|-----|----------|-----------------------|---|
| 1   | 803820   | Junction Box Cover    |   |
| 2   | 803832P  | Junction Box Seal     |   |
| 3   | 801450   | Power Cord Assembly   | Models NTEBXASP303NW01, NTEBXASP303NW22, NTGBXASP303NW01, STEBXASP303NW22, STEBXASP303UW01, STEBXASP543ZW01, STGBXASP303NW22, STGBXASP303ZW01 and TTEBXASP303NW22 |
|     | 39926    | Lead-In Cord          | Model NTLBXASP303NW26   |
|     | 39931    | Power Cord Assembly   | Models BTEBLASP433AW01, BTEBXASP433AW01, BTGBLASP303AW01, BTGBXASP303AW01, STEBXASP433AW01, STEBXASP433AW12, STGBXASP303AW01 and STGBXASP303AW12                  |
|     | 804556   | Lead-In Cord Assembly | Models HTEBXASP133DW01, HTEBXASP543DW01, HTGBXASP123DW01, HTGBXASP543DW01, STEBXASP133DW01, STEBXASP543DW01, STGBXASP123DW01 and STGBXASP543DW01                  |
|     | 802012   | Power Cord Assembly   | Models BTEBXASP173FW28, BTGBXASP113FW28, HTEBXASP173FW28, HTGBXASP113FW28, STEBXASP173FW28 and STGBXASP113FW28  |
| 4   | 39922    | Cable Connection Box  |   |
| 5   | 38384    | Strain Relief         |   |
| 6   | 803818   | Junction Box          | Upper   |
| 7   | 804805   | Filter Jumper Harness | Filter to terminal block  |
| 8   | D503661  | Screw                 |   |
| 9   | 803819   | Junction Box          | Lower   |

# Washer Lead-In Cord, Wire Ties and Harness Clips



FLW823P\_806122

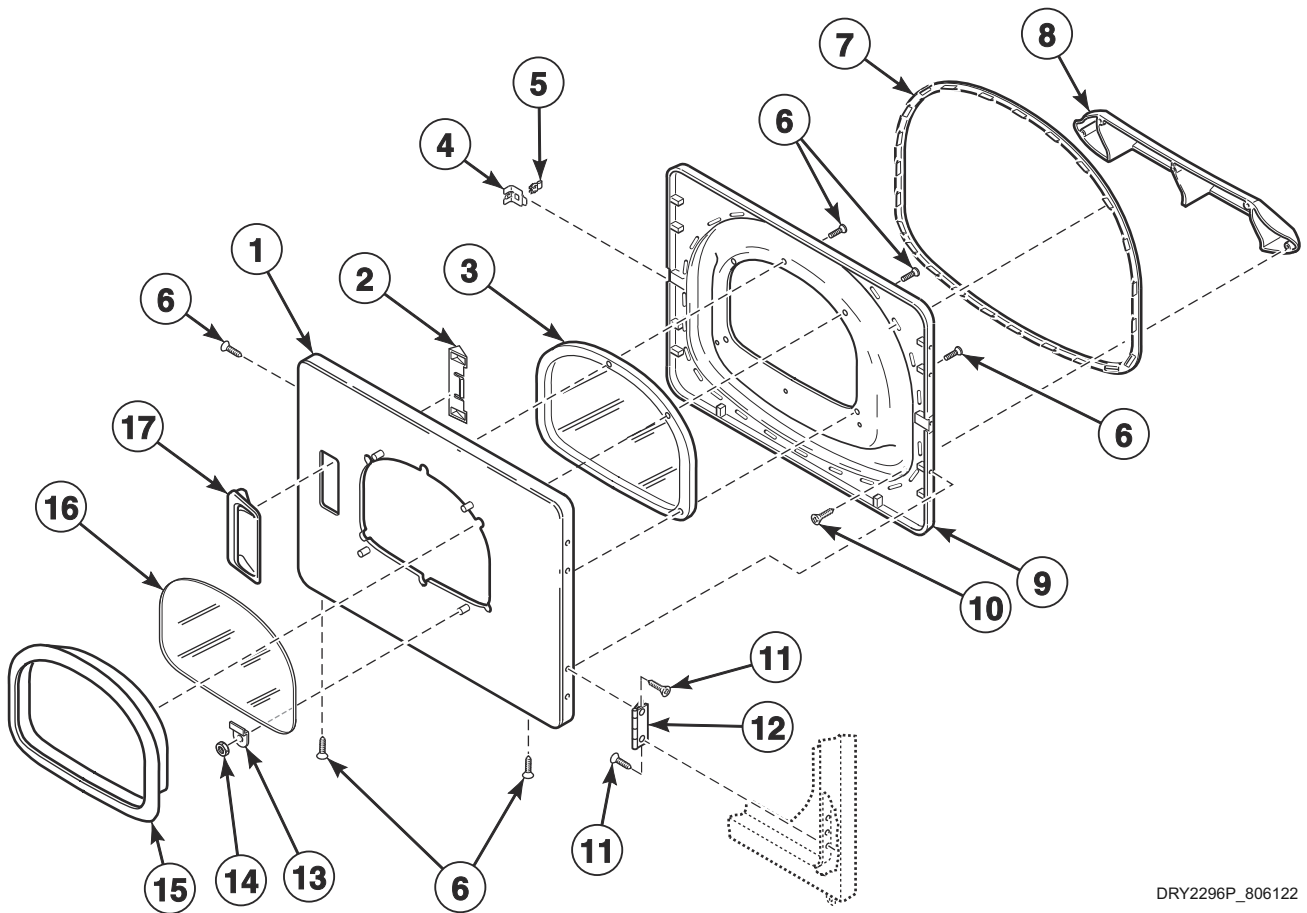


## Washer Lead-In Cord, Wire Ties and Harness Clips

| REF | PART NO. | DESCRIPTION   | COMMENTS   |
|-----|----------|---------------|--|
| 1   | 38663    | Wire Tie      |  |
| 2   | 55881    | Harness Strap |  |
| 3   | 36985    | Hose Clip     |  |
| 4   | D504034  | Wire Clip     | Small  |
| 5   | 687500   | Wire Clip     | Large  |
| 6   | 03673    | Nut           |  |
| 7   | 03815    | Washer        |  |
| 8   | 20530    | Screw         |  |
| 9   | 38384    | Strain Relief |  |
| 10  | 202777   | Lead-In Cord  | Models BTEBCASP173TW01, BTEBYASP173TW01, BTGBCASP113TW01, BTGBYASP113TW01, HTEBCASP173TW01, HTGBCASP113TW01, HTGBYASP113TW01, STEBCASP173TQ01, STEBCASP173TW01, STEBXASP173TQ01, STEBXASP173TW01, STEBYASP173TW01, STGBCASP113TW01, STGBXASG113TW01, STGBXASP113TW01 and STGBYASP113TW01 |

# Dryer Loading Door (Drawing 1 of 3)

Models BTEBCASP173TW01, BTEBEASP283CW01, BTEBYASP173TW01, HTEBCASP173TW01, HTEBDASP283CW01, HTEBXASP283CW01, HTEBXASP293CW01, HTEBYASP283CW01, STEBCASP173TQ01, STEBCASP173TW01, STEBXASP173TQ01, STEBXASP173TW01 and STEBYASP173TW01



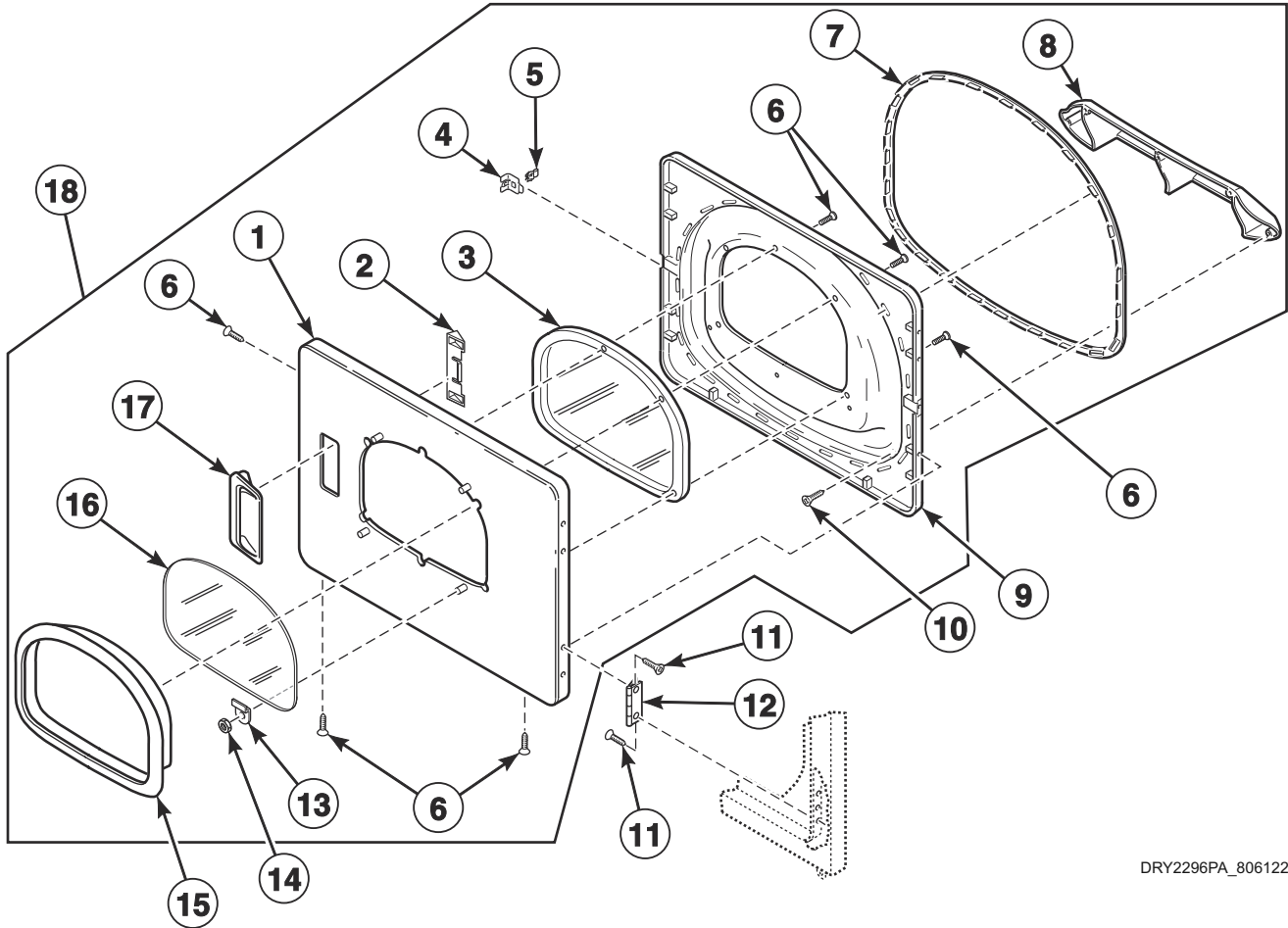
DRY2296P\_806122

## Dryer Loading Door (Drawing 1 of 3)

| REF | PART NO.  | DESCRIPTION             | COMMENTS   |
|-----|-----------|-------------------------|--|
| 1   | D516737W  | Door Assembly           | Through Serial Nos. beginning 1707                   |
|     | D515961W  | Dryer Door              | Starting Serial Nos. beginning 1707                  |
| 2   | D510129W  | Door Handle Wedge       |  |
| 3   | D503982P  | Dryer Door Window       | Through Serial Nos. beginning 1707                   |
|     | D515681   | Dryer Door Window       | Glass; Starting Serial Nos. beginning 1707           |
| 4   | D510127   | Door Strike Mount       | Through Serial Nos. beginning 1707                   |
| 5   | D510181   | Door Strike             |  |
| 6   | D515597   | Screw                   | Through Serial Nos. beginning 1707                   |
|     | D515967   | Screw                   | Starting Serial Nos. beginning 1707                  |
| 7   | D510147P  | Liner Door Seal         | Through Serial Nos. beginning 1707                   |
|     | D515709   | Liner Door Seal         | Starting Serial Nos. beginning 1707                  |
| 8   | D503870LG | Door Liner Grill        | Through Serial Nos. beginning 1707                   |
|     | D503870W  | Door Liner Grill        | Starting Serial Nos. beginning 1707                  |
| 9   | D516737W  | Door Assembly           | Includes item 7; Through Serial Nos. beginning 1707  |
|     | D516509   | Liner and Seal Assembly | Includes item 7; Starting Serial Nos. beginning 1707 |
| 10  | D505870   | Screw                   |  |
| 11  | D505295   | Screw                   |  |
| 12  | D511036   | Hinge                   |  |
| 13  | D513958   | Window Clip             | Through Serial Nos. beginning 1707                   |
| 14  | 44071201  | Nut                     | Through Serial Nos. beginning 1707                   |
| 15  | D516737W  | Door Assembly           | Through Serial Nos. beginning 1707                   |
|     | D515956W  | Window Trim             | Starting Serial Nos. beginning 1707                  |
| 16  | D516737W  | Door Assembly           | Through Serial Nos. beginning 1707                   |
| 17  | D510103WP | Door Pull and Wedge Kit | Includes item 2                                      |

# Dryer Loading Door (Drawing 2 of 3)

Models BTGBCASP113TW01, BTGBYASP113TW01, HTGBCASP113TW01, HTGBDASP093CW01, HTGBXASP093CW01, HTGBYASP093CW01, HTGBYASP113TW01, STGBCASP113TW01, STGBXASG113TW01, STGBXASP113TW01 and STGBYASP113TW01



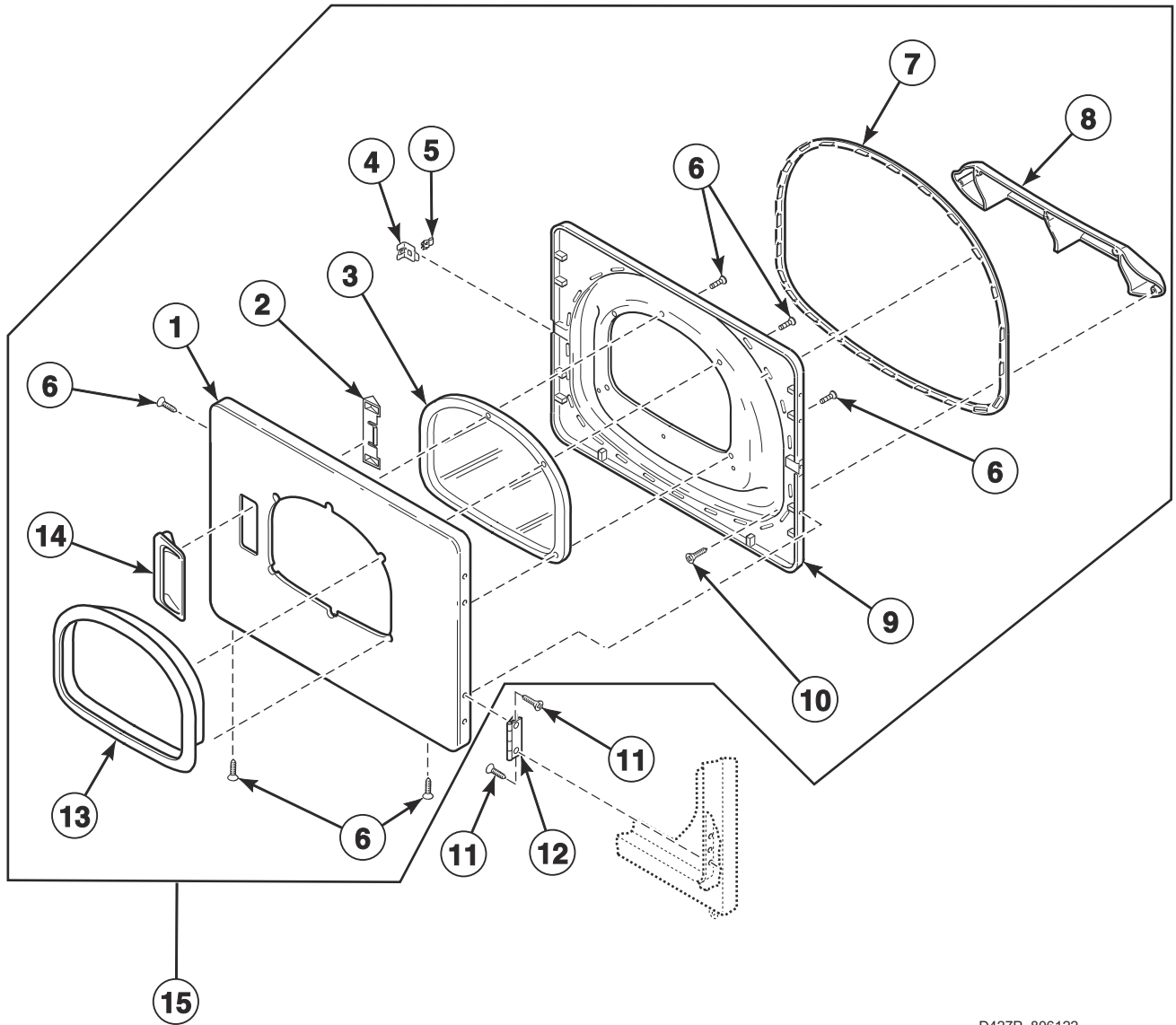
DRY2296PA\_806122

## Dryer Loading Door (Drawing 2 of 3)

| REF | PART NO.  | DESCRIPTION             | COMMENTS  |
|-----|-----------|-------------------------|---|
| 1   | D510082WP | Dryer Door              | Through Serial No. 1606000838   |
|     | D516737W  | Door Assembly           | Starting Serial No. 1606000839 and continuing through Serial Nos. beginning 1707                  |
|     | D515961W  | Dryer Door              | Starting Serial Nos. beginning 1707   |
| 2   | D510129W  | Door Handle Wedge       | Through Serial No. 1606000838 and starting again with Serial Nos. beginning 1711                  |
| 3   | D503982P  | Dryer Door Window       |   |
|     | D515681   | Dryer Door Window       | Glass; Starting Serial Nos. beginning 1707  |
| 4   | D510127   | Door Strike Mount       | Through Serial Nos. beginning 1707  |
| 5   | D510181   | Door Strike             |   |
| 6   | D500226   | Screw                   | Through Serial No. 1606000838   |
|     | D515597   | Screw                   | Starting Serial No. 1606000839 and continuing through Serial Nos. beginning 1707                  |
|     | D515967   | Screw                   | Starting Serial Nos. beginning 1707   |
| 7   | D510147P  | Liner Door Seal         | Through Serial Nos. beginning 1707  |
|     | D515709   | Liner Door Seal         | Starting Serial Nos. beginning 1707   |
| 8   | D503870W  | Door Liner Grill        | Through Serial No. 1606000838   |
|     | D503870LG | Door Liner Grill        | Starting Serial No. 1606000839 and continuing through Serial Nos. beginning 1707                  |
|     | D503870W  | Door Liner Grill        | Starting Serial Nos. beginning 1707   |
| 9   | D516509   | Liner and Seal Assembly | Includes item 7; Through Serial No. 1606000838  |
|     | D516737W  | Door Assembly           | Includes item 7; Starting Serial No. 1606000839 and continuing through Serial Nos. beginning 1707 |
|     | D516509   | Liner and Seal Assembly | Includes item 7; Starting Serial Nos. beginning 1707  |
| 10  | D505870   | Screw                   |   |
| 11  | D505295   | Screw                   |   |
| 12  | D511036   | Hinge                   |   |
| 13  | D513958   | Window Clip             | Starting Serial No. 1606000839 and continuing through Serial Nos. beginning 1707                  |
| 14  | 44071201  | Nut                     | Starting Serial No. 1606000839 and continuing through Serial Nos. beginning 1707                  |
| 15  | D503981W  | Window Trim             | Through Serial No. 1606000838   |
|     | D516737W  | Door Assembly           | Starting Serial No. 1606000839 and continuing through Serial Nos. beginning 1707                  |
|     | D515956W  | Window Trim             | Starting Serial Nos. beginning 1707   |
| 16  | D516737W  | Door Assembly           | Starting Serial No. 1606000839 and continuing through Serial Nos. beginning 1707                  |
| 17  | D510103WP | Door Pull and Wedge Kit | Includes item 2   |
| 18  | D516737W  | Door Assembly           | White; Includes items 1-10, 15 and 17; Through Serial No. 1606000838                              |

## Dryer Loading Door (Drawing 3 of 3)

Models BTEBLASP433AW01, BTEBXASP173FW28, BTEBXASP433AW01, BTGBLASP303AW01, BTGBXASP113FW28, BTGBXASP303AW01, HTEBXASP133DW01, HTEBXASP173FW28, HTEBXASP543DW01, HTGBXASP113FW28, HTGBXASP123DW01, HTGBXASP543DW01, NTEBXASP303NW01, NTEBXASP303NW22, NTGBXASP303NW01, NTLBXASP303NW26, STEBXASP133DW01, STEBXASP173FW28, STEBXASP303NW22, STEBXASP303UW01, STEBXASP433AW01, STEBXASP433AW12, STEBXASP543DW01, STEBXASP543ZW01, STGBXASP113FW28, STGBXASP123DW01, STGBXASP303AW01, STGBXASP303AW12, STGBXASP303NW22, STGBXASP303ZW01, STGBXASP543DW01 and TTEBXASP303NW22

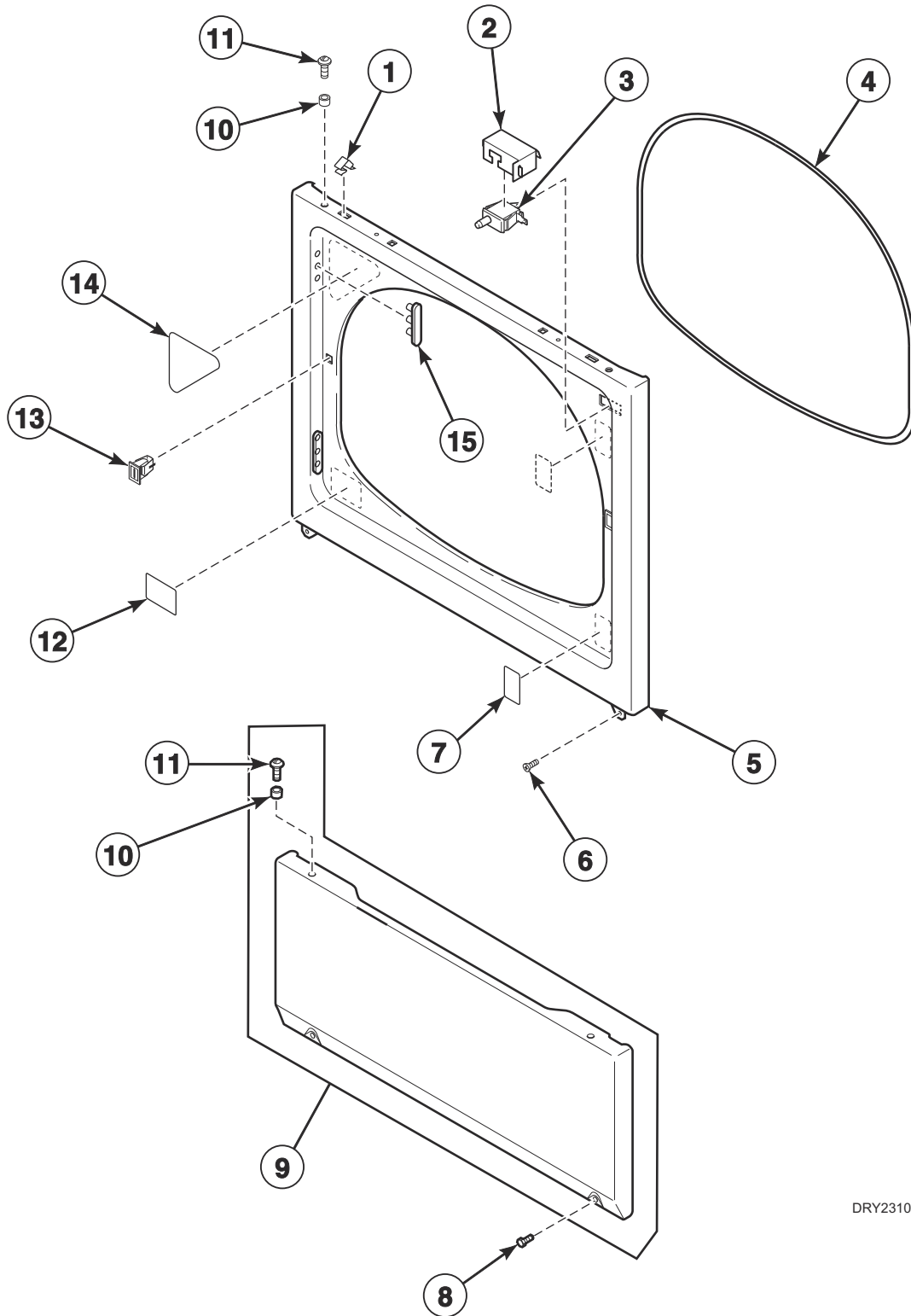


D427P\_806122

## Dryer Loading Door (Drawing 3 of 3)

| REF | PART NO.  | DESCRIPTION             | COMMENTS   |
|-----|-----------|-------------------------|--|
| 1   | D510082WP | Dryer Door              |  |
| 2   | D510129W  | Door Handle Wedge       |  |
| 3   | D503982P  | Dryer Door Window       |  |
| 4   | D510127   | Door Strike Mount       |  |
| 5   | D510181   | Door Strike             |  |
| 6   | D500226   | Screw                   |  |
| 7   | D510147P  | Liner Door Seal         |  |
| 8   | D503870W  | Door Liner Grill        |  |
| 9   | D516509   | Liner and Seal Assembly | Includes item 7  |
| 10  | D505870   | Screw                   |  |
| 11  | D505295   | Screw                   |  |
| 12  | D511036   | Hinge                   |  |
| 13  | D512633   | Window Trim             | Gray; Models BTEBLASP433AW01, BTEBXASP173FW28, BTEBXASP433AW01, BTGBLASP303AW01, BTGBXASP113FW28 and BTGBXASP303AW01 |
|     | D503981W  | Window Trim             | White; All other models  |
| 14  | D510103WP | Door Pull and Wedge Kit | Includes item 2  |
| 15  | D516737W  | Door Assembly           | White; Includes items 1-10, 13 and 14  |

# Access Panel, Front Panel and Seal



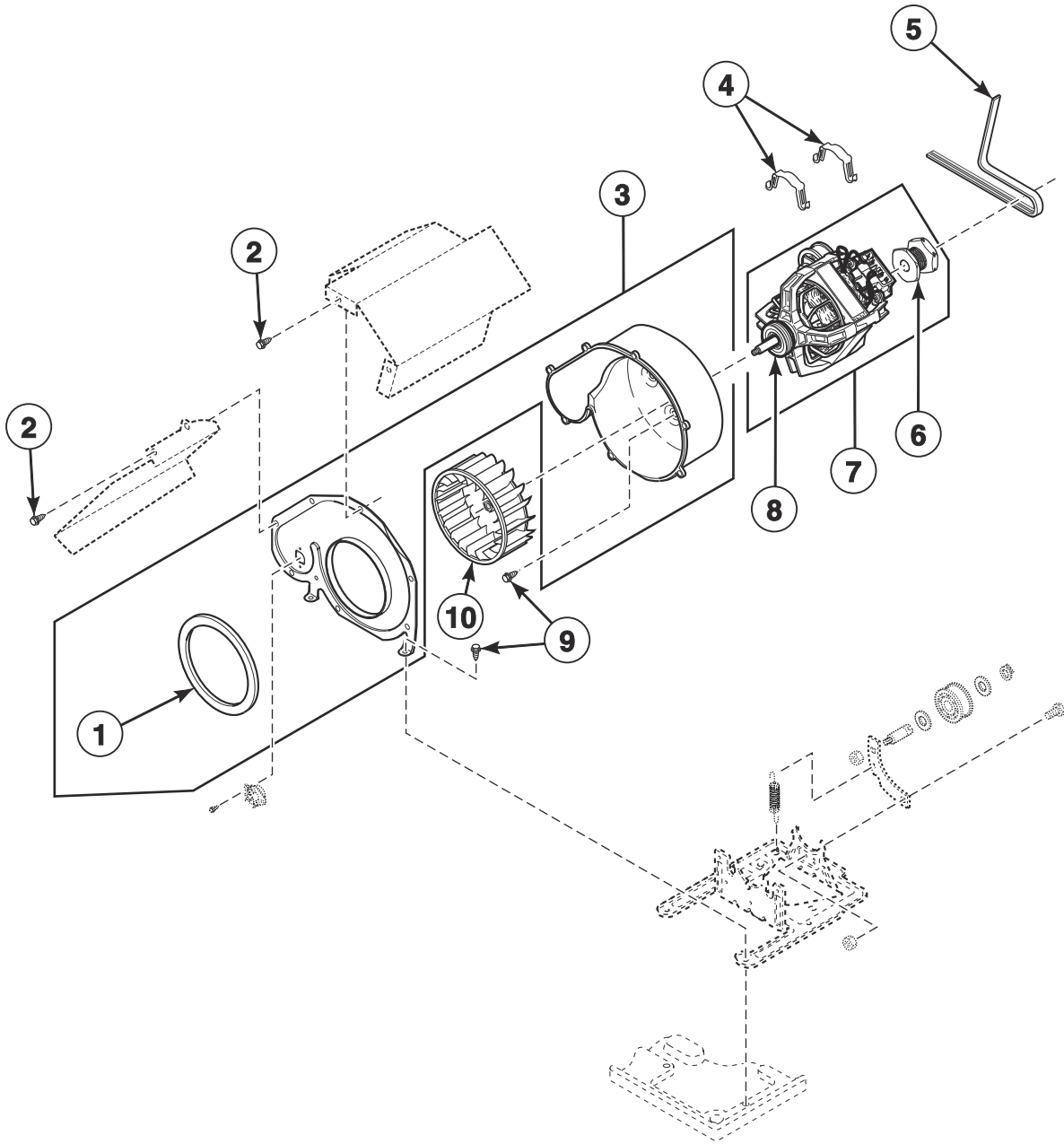
DRY2310P\_806122



## Access Panel, Front Panel and Seal

| REF | PART NO.  | DESCRIPTION           | COMMENTS  |
|-----|-----------|-----------------------|---|
| 1   | 28835     | Speed Clip            |   |
| 2   | D514327   | Drip Shield           | Models BTEBLASP433AW01, BTEBXASP173FW28, BTEBXASP433AW01, BTGBLASP303AW01, BTGBXASP113FW28, BTGBXASP303AW01, HTEBXASP133DW01, HTEBXASP173FW28, HTEBXASP543DW01, HTGBXASP113FW28, HTGBXASP123DW01, HTGBXASP543DW01, STEBXASP133DW01, STEBXASP173FW28, STEBXASP303UW01, STEBXASP433AW01, STEBXASP433AW12, STEBXASP543DW01, STEBXASP543ZW01, STGBXASP113FW28, STGBXASP123DW01, STGBXASP303AW01, STGBXASP303AW12, STGBXASP303ZW01 and STGBXASP543DW01   |
| 3   | D512973   | Switch                |   |
| 4   | D511056   | Front Panel Seal      |   |
| 5   | D510066WP | Front Panel           |   |
| 6   | D503688   | Screw                 |   |
| 7   | D512263   | Warning Label         | Models BTEBLASP433AW01, BTEBXASP433AW01, BTGBLASP303AW01, BTGBXASP303AW01, STEBXASP433AW01, STEBXASP433AW12, STGBXASP303AW01 and STGBXASP303AW12  |
| 8   | 33562     | Screw                 |   |
| 9   | D514250WP | Access Panel Assembly | White; BTEBCASP173TW01, BTEBEASP283CW01, BTEBYASP173TW01, HTEBCASP173TW01, HTEBDASP283CW01, HTEBXASP283CW01, HTEBXASP293CW01, HTEBYASP283CW01, STEBCASP173TQ01, STEBCASP173TW01, STEBXASP173TQ01, STEBXASP173TW01 and STEBYASP173TW01 starting Serial Nos. beginning 1711; Models BTGBCASP113TW01, BTGBYASP113TW01, HTGBCASP113TW01, HTGBDASP093CW01, HTGBXASP093CW01, HTGBYASP093CW01, HTGBYASP113TW01, STGBCASP113TW01, STGBXASG113TW01, STGBXASP113TW01 and STGBYASP113TW01 through Serial No. 1606000838 and starting again with Serial Nos. beginning 1711; All other models |
| 10  | 56079     | Panel Locator         |   |
| 11  | 39733     | Screw                 |   |
| 12  | D502804   | Lint Filter Label     | Models BTEBLASP433AW01, BTEBXASP433AW01, BTGBLASP303AW01, BTGBXASP303AW01, STEBXASP433AW01, STEBXASP433AW12, STGBXASP303AW01 and STGBXASP303AW12  |
| 13  | D510177   | Door Catch Assembly   |   |
| 14  | D500281   | Warning/Caution Label |   |
| 15  | D510186   | Hinge Hole Plug       |   |

# Motor, Exhaust Fan and Belt

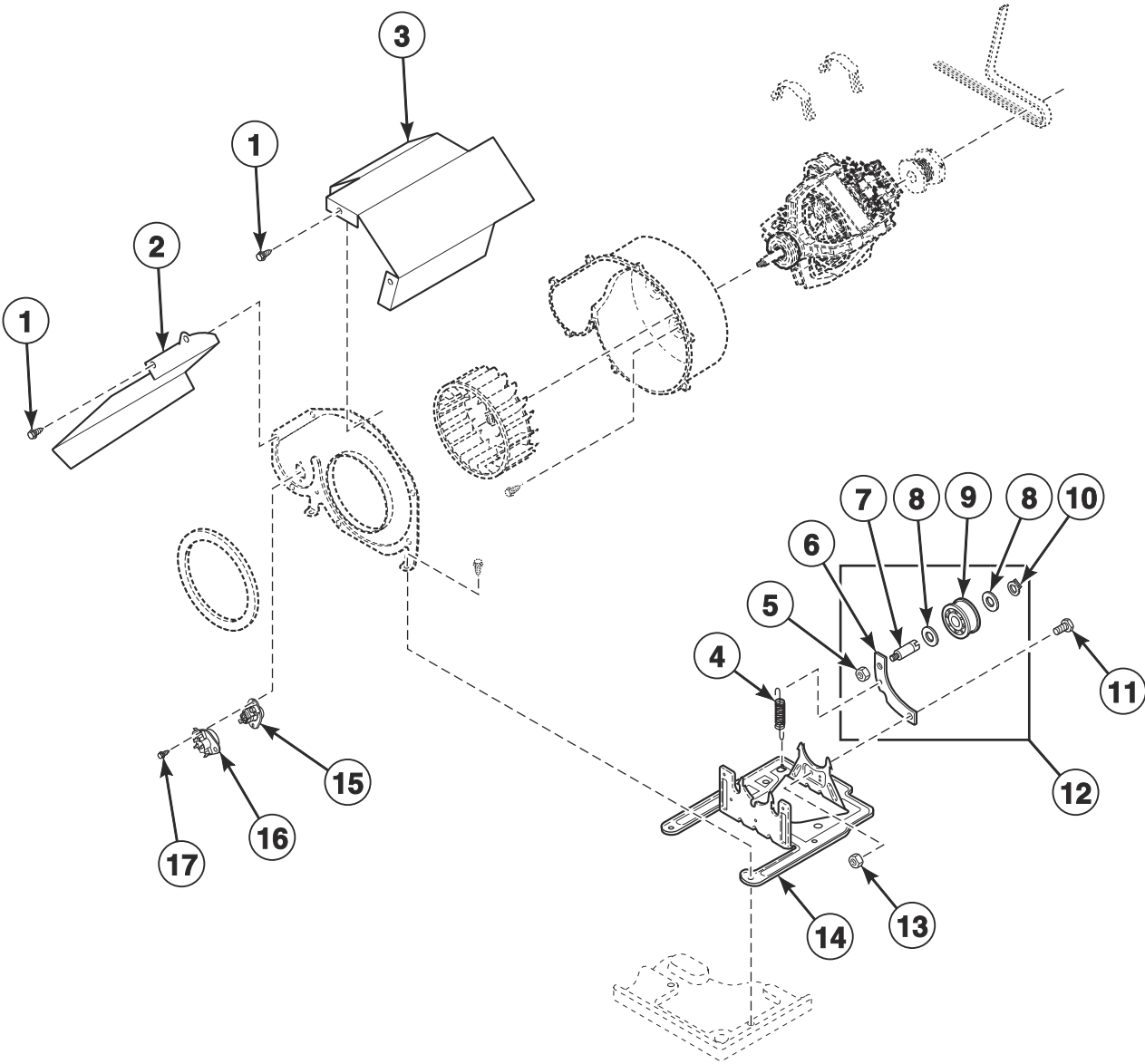


DRY2312P\_806122

## Motor, Exhaust Fan and Belt

| REF | PART NO.  | DESCRIPTION               | COMMENTS  |
|-----|-----------|---------------------------|---|
|     | 27604P    | Anti-Seize Compound       | Apply to motor shaft when installing blower fan assembly  |
| 1   | D510238P  | Blower Housing Seal       |   |
| 2   | 31260     | Screw                     |   |
| 3   | D511969LG | Blower Housing            | Includes items 1 and 2; Models BTEBCASP173TW01, BTEBEASP283CW01, BTEBYASP173TW01, HTEBCASP173TW01, HTEBDASP283CW01, HTEBXASP283CW01, HTEBXASP293CW01, HTEBYASP283CW01, STEBCASP173TQ01, STEBCASP173TW01, STEBXASP173TQ01, STEBXASP173TW01 and STEBYASP173TW01 through Serial Nos. beginning 1711; Models BTGBCASP113TW01, BTGBYASP113TW01, HTGBCASP113TW01, HTGBDASP093CW01, HTGBXASP093CW01, HTGBYASP093CW01, HTGBYASP113TW01, STGBCASP113TW01, STGBXASG113TW01, STGBXASP113TW01 and STGBYASP113TW01 starting Serial No. 1606000839 and continuing through Serial Nos. beginning 1711                    |
|     | D511969WP | Blower Housing            | Includes items 1 and 2; Models BTEBCASP173TW01, BTEBEASP283CW01, BTEBYASP173TW01, HTEBCASP173TW01, HTEBDASP283CW01, HTEBXASP283CW01, HTEBXASP293CW01, HTEBYASP283CW01, STEBCASP173TQ01, STEBCASP173TW01, STEBXASP173TQ01, STEBXASP173TW01 and STEBYASP173TW01 starting Serial Nos. beginning 1711; Models BTGBCASP113TW01, BTGBYASP113TW01, HTGBCASP113TW01, HTGBDASP093CW01, HTGBXASP093CW01, HTGBYASP093CW01, HTGBYASP113TW01, STGBCASP113TW01, STGBXASG113TW01, STGBXASP113TW01 and STGBYASP113TW01 through Serial No. 1606000838 and starting again with Serial Nos. beginning 1711; All other models |
| 4   | D510180   | Motor Mount Clamp         |   |
| 5   | D511255P  | Cylinder Belt             |   |
| 6   | D500222   | Motor Pulley              | 50 Hertz; Models BTEBLASP433AW01, BTEBXASP433AW01, BTGBLASP303AW01, BTGBXASP303AW01, NTEBXASP303NW01, NTEBXASP303NW22, NTGBXASP303NW01, NTLBXASP303NW26, STEBXASP303NW22, STEBXASP303UW01, STEBXASP433AW01, STEBXASP433AW12, STGBXASP303AW01, STGBXASP303AW12, STGBXASP303NW22, STGBXASP303ZW01 and TTEBXASP303NW22   |
|     | D500011   | Motor Pulley              | 60 Hertz; All other models  |
| 7   | D505869P  | Motor and Pulley Assembly | 240 Volt/60 Hertz; Includes items 4, 6 and 8; Apply anti-seize compound to motor shaft when installing blower fan assembly; Models HTEBXASP543DW01, HTGBXASP543DW01, STEBXASP543DW01, STEBXASP543ZW01 and STGBXASP543DW01   |
|     | D505843P  | Motor and Pulley Assembly | 240 Volt/50 Hertz; Includes items 4, 6 and 8; Apply anti-seize compound to motor shaft when installing blower fan assembly; Models BTEBLASP433AW01, BTEBXASP433AW01, BTGBLASP303AW01, BTGBXASP303AW01, NTEBXASP303NW01, NTEBXASP303NW22, NTGBXASP303NW01, NTLBXASP303NW26, STEBXASP303NW22, STEBXASP303UW01, STEBXASP433AW01, STEBXASP433AW12, STGBXASP303AW01, STGBXASP303AW12, STGBXASP303NW22, STGBXASP303ZW01 and TTEBXASP303NW22   |
|     | D511629P  | Motor and Pulley Assembly | 120 Volt/60 Hertz; Includes items 4, 6 and 8; Apply anti-seize compound to motor shaft when installing blower fan assembly; All other models  |
| 8   | 590P3     | Motor Hub Ring Kit        |   |
| 9   | D503688   | Screw                     |   |
| 10  | D510139P  | Blower Fan Assembly       |   |

# Thermistor, Shields and Idler Assembly

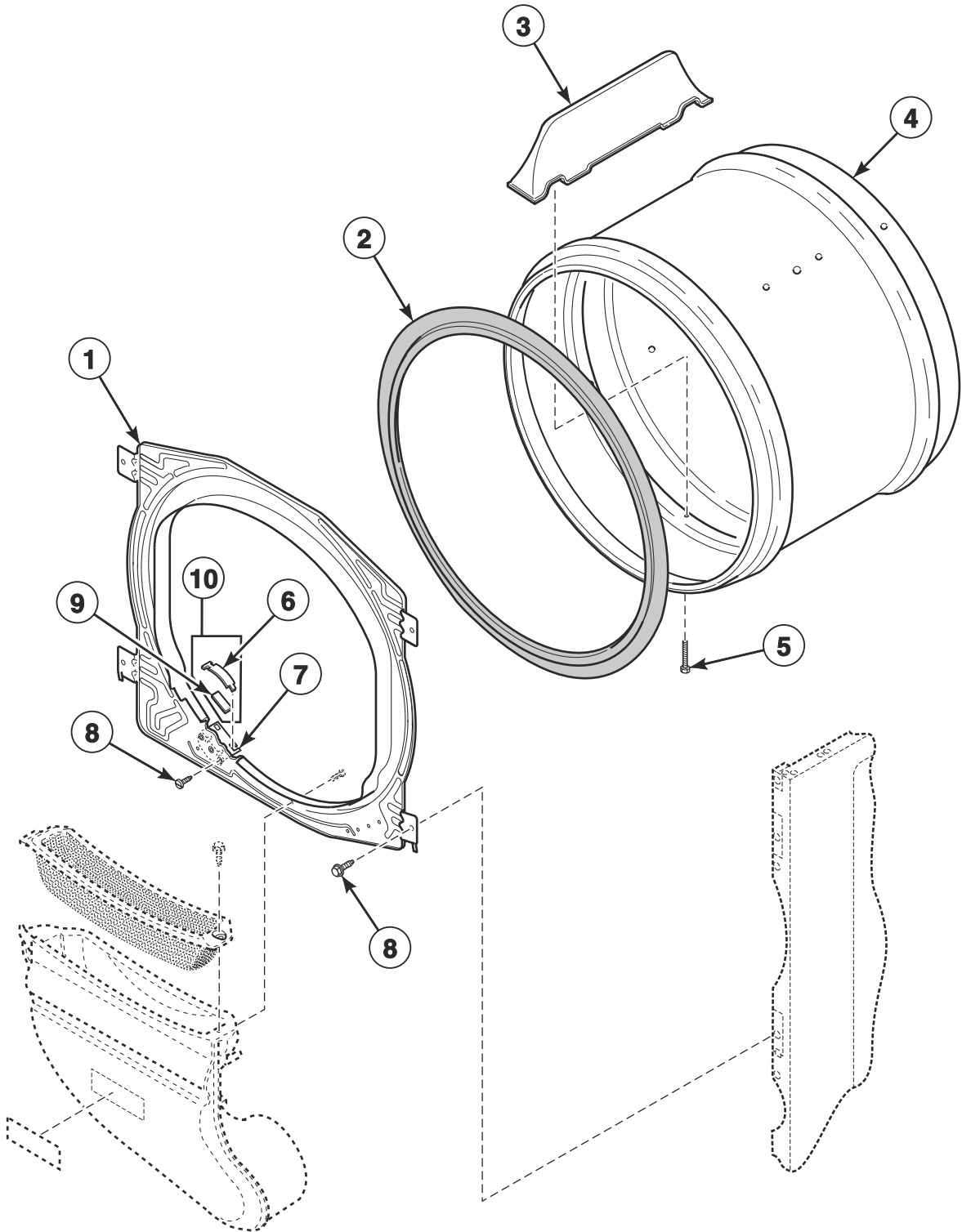


DRY2440PA\_806122

## Thermistor, Shields and Idler Assembly

| REF | PART NO. | DESCRIPTION                      | COMMENTS  |
|-----|----------|----------------------------------|---|
| 1   | 31260    | Screw                            |   |
| 2   | D514325  | Thermostat Shield                | Models BTEBLASP433AW01, BTEBXASP173FW28, BTEBXASP433AW01, BTGBLASP303AW01, BTGBXASP113FW28, BTGBXASP303AW01, HTEBXASP133DW01, HTEBXASP173FW28, HTEBXASP543DW01, HTGBXASP113FW28, HTGBXASP123DW01, HTGBXASP543DW01, STEBXASP133DW01, STEBXASP173FW28, STEBXASP303UW01, STEBXASP433AW01, STEBXASP433AW12, STEBXASP543DW01, STEBXASP543ZW01, STGBXASP113FW28, STGBXASP123DW01, STGBXASP303AW01, STGBXASP303AW12, STGBXASP303ZW01 and STGBXASP543DW01 |
| 3   | D514602  | Motor Shield                     | Models BTEBLASP433AW01, BTEBXASP173FW28, BTEBXASP433AW01, BTGBLASP303AW01, BTGBXASP113FW28, BTGBXASP303AW01, HTEBXASP133DW01, HTEBXASP173FW28, HTEBXASP543DW01, HTGBXASP113FW28, HTGBXASP123DW01, HTGBXASP543DW01, STEBXASP133DW01, STEBXASP173FW28, STEBXASP303UW01, STEBXASP433AW01, STEBXASP433AW12, STEBXASP543DW01, STEBXASP543ZW01, STGBXASP113FW28, STGBXASP123DW01, STGBXASP303AW01, STGBXASP303AW12, STGBXASP303ZW01 and STGBXASP543DW01 |
| 4   | D510185  | Idler Spring                     |   |
| 5   | 56156    | Nut                              |   |
| 6   | D516310  | Idler Lever                      |   |
| 7   | 56461P   | Shaft                            |   |
| 8   | 52549    | Washer                           |   |
| 9   | D510142P | Idler Wheel and Bearing Assembly |   |
| 10  | 23748    | Retaining Ring                   |   |
| 11  | D500824  | Screw                            |   |
| 12  | D516792  | Idler Lever and Wheel Assembly   | Includes items 4-9  |
| 13  | 52566    | Nut                              |   |
| 14  | D510060  | Motor Mount                      |   |
| 15  | M411941  | Manual Reset Thermostat          | Models BTGBLASP303AW01, BTGBXASP303AW01, STGBXASP303AW01 and STGBXASP303AW12  |
| 16  | D502366  | Thermistor Assembly              | 50 Hertz; Models BTEBLASP433AW01, BTEBXASP433AW01, BTGBLASP303AW01, BTGBXASP303AW01, NTEBXASP303NW01, NTEBXASP303NW22, NTGBXASP303NW01, NTLBXASP303NW26, STEBXASP303NW22, STEBXASP303UW01, STEBXASP433AW01, STEBXASP433AW12, STGBXASP303AW01, STGBXASP303AW12, STGBXASP303NW22, STGBXASP303ZW01 and TTEBXASP303NW22   |
|     | D510523  | Thermistor Assembly              | 60 Hertz; All other models  |
| 17  | D502535  | Screw                            |   |

# Front Bulkhead, Felt Seal and Cylinder

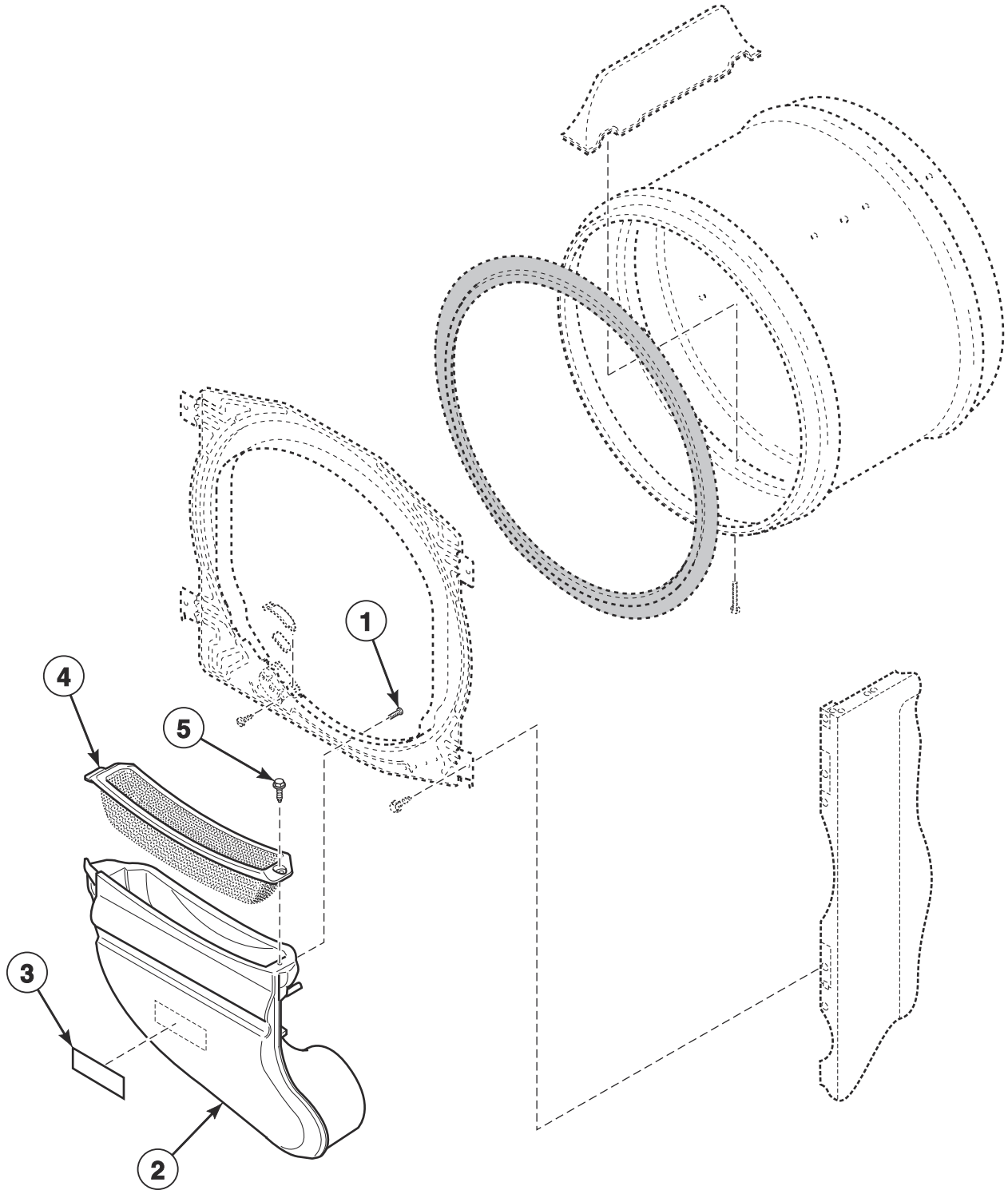


SWD1174P\_806122

## Front Bulkhead, Felt Seal and Cylinder

| REF | PART NO.  | DESCRIPTION             | COMMENTS   |
|-----|-----------|-------------------------|--|
| 1   | D510266P  | Front Bulkhead Assembly | Unpainted; Includes item 2   |
| 2   | D510207P  | Cylinder Seal Assembly  |  |
|     | D511637P  | Adhesive                | Apply to cylinder seal   |
|     | RB170001  | Seal Kit                | Includes 2 cylinder seals, D510238P Blower Housing Seal and Adhesive |
| 3   | D510102W  | Cylinder Baffle         |  |
| 4   | D510265WP | Cylinder Assembly       | Galvanized; Includes item 3  |
| 5   | 62588     | Screw                   |  |
| 6   | D513710   | Cylinder Glide          |  |
| 7   | D510145   | Cylinder Glide Bracket  |  |
| 8   | D503688   | Screw                   |  |
| 9   | D510189   | Felt Pad                |  |
| 10  | RB170003  | Glide Kit               | Includes items 6 and 7   |

# Air Duct Assembly



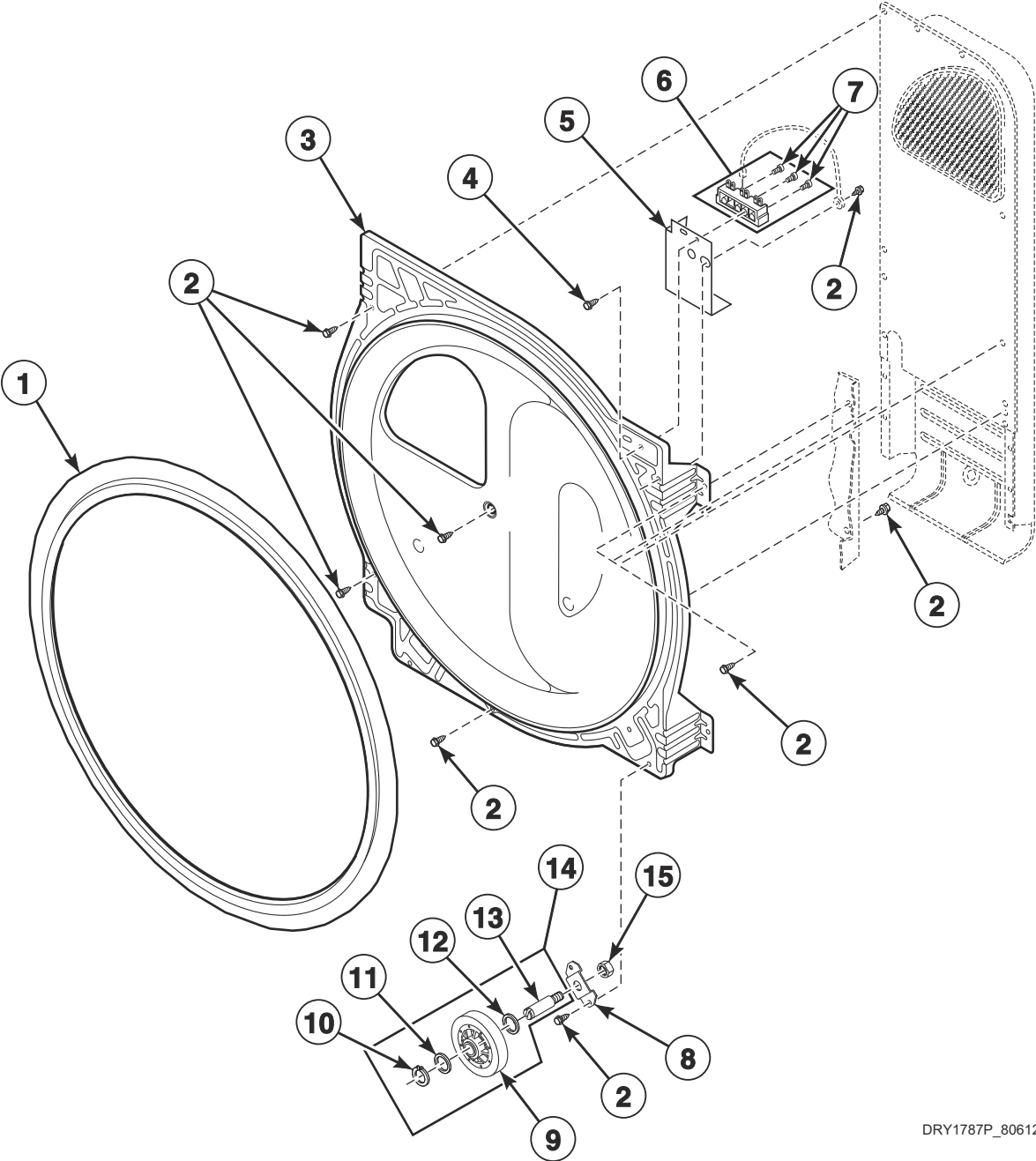
SWD1174PA\_806122



# Air Duct Assembly

| REF | PART NO.  | DESCRIPTION       | COMMENTS  |
|-----|-----------|-------------------|---|
| 1   | 52864     | Screw             |   |
| 2   | D518433   | Air Duct Assembly | Models BTEBCASP173TW01, BTEBEASP283CW01, BTEBYASP173TW01, HTEBCASP173TW01, HTEBDASP283CW01, HTEBXASP283CW01, HTEBXASP293CW01, HTEBYASP283CW01, STEBCASP173TQ01, STEBCASP173TW01, STEBXASP173TQ01, STEBXASP173TW01 and STEBYASP173TW01 through Serial Nos. beginning 1711; Models BTGBCASP113TW01, BTGBYASP113TW01, HTGBCASP113TW01, HTGBDASP093CW01, HTGBXASP093CW01, HTGBYASP093CW01, HTGBYASP113TW01, STGBCASP113TW01, STGBXASG113TW01, STGBXASP113TW01 and STGBYASP113TW01 starting Serial No. 1606000839 and continuing through Serial Nos. beginning 1711                    |
|     | D515805LG | Air Duct Assembly | Models BTEBCASP173TW01, BTEBEASP283CW01, BTEBYASP173TW01, BTGBCASP113TW01, BTGBYASP113TW01, HTEBCASP173TW01, HTEBDASP283CW01, HTEBXASP283CW01, HTEBXASP293CW01, HTEBYASP283CW01, HTGBCASP113TW01, HTGBDASP093CW01, HTGBXASP093CW01, HTGBYASP093CW01, HTGBYASP113TW01, STEBCASP173TQ01, STEBCASP173TW01, STEBXASP173TQ01, STEBXASP173TW01, STEBYASP173TW01, STGBCASP113TW01, STGBXASG113TW01, STGBXASP113TW01 and STGBYASP113TW01 starting Serial Nos. beginning 1711  |
|     | D518432   | Air Duct Assembly | Models BTGBCASP113TW01, BTGBYASP113TW01, HTGBCASP113TW01, HTGBDASP093CW01, HTGBXASP093CW01, HTGBYASP093CW01, HTGBYASP113TW01, STGBCASP113TW01, STGBXASG113TW01, STGBXASP113TW01 and STGBYASP113TW01 through Serial No. 1606000838; All other models   |
| 3   | 61294     | Fuse Notice Label | Electric models   |
| 4   | D503980LG | Lint Filter       | Models BTEBCASP173TW01, BTEBEASP283CW01, BTEBYASP173TW01, HTEBCASP173TW01, HTEBDASP283CW01, HTEBXASP283CW01, HTEBXASP293CW01, HTEBYASP283CW01, STEBCASP173TQ01, STEBCASP173TW01, STEBXASP173TQ01, STEBXASP173TW01 and STEBYASP173TW01 through Serial Nos. beginning 1711; Models BTGBCASP113TW01, BTGBYASP113TW01, HTGBCASP113TW01, HTGBDASP093CW01, HTGBXASP093CW01, HTGBYASP093CW01, HTGBYASP113TW01, STGBCASP113TW01, STGBXASG113TW01, STGBXASP113TW01 and STGBYASP113TW01 starting Serial No. 1606000839 and continuing through Serial Nos. beginning 1711                    |
|     | D503980W  | Lint Filter       | Models BTEBCASP173TW01, BTEBEASP283CW01, BTEBYASP173TW01, HTEBCASP173TW01, HTEBDASP283CW01, HTEBXASP283CW01, HTEBXASP293CW01, HTEBYASP283CW01, STEBCASP173TQ01, STEBCASP173TW01, STEBXASP173TQ01, STEBXASP173TW01 and STEBYASP173TW01 starting Serial Nos. beginning 1711; Models BTGBCASP113TW01, BTGBYASP113TW01, HTGBCASP113TW01, HTGBDASP093CW01, HTGBXASP093CW01, HTGBYASP093CW01, HTGBYASP113TW01, STGBCASP113TW01, STGBXASG113TW01, STGBXASP113TW01 and STGBYASP113TW01 through Serial No. 1606000838 and starting again with Serial Nos. beginning 1711; All other models |
| 5   | D501285   | Screw             |   |

# Rear Bulkhead, Felt Seal, Cylinder Roller and Terminal Block



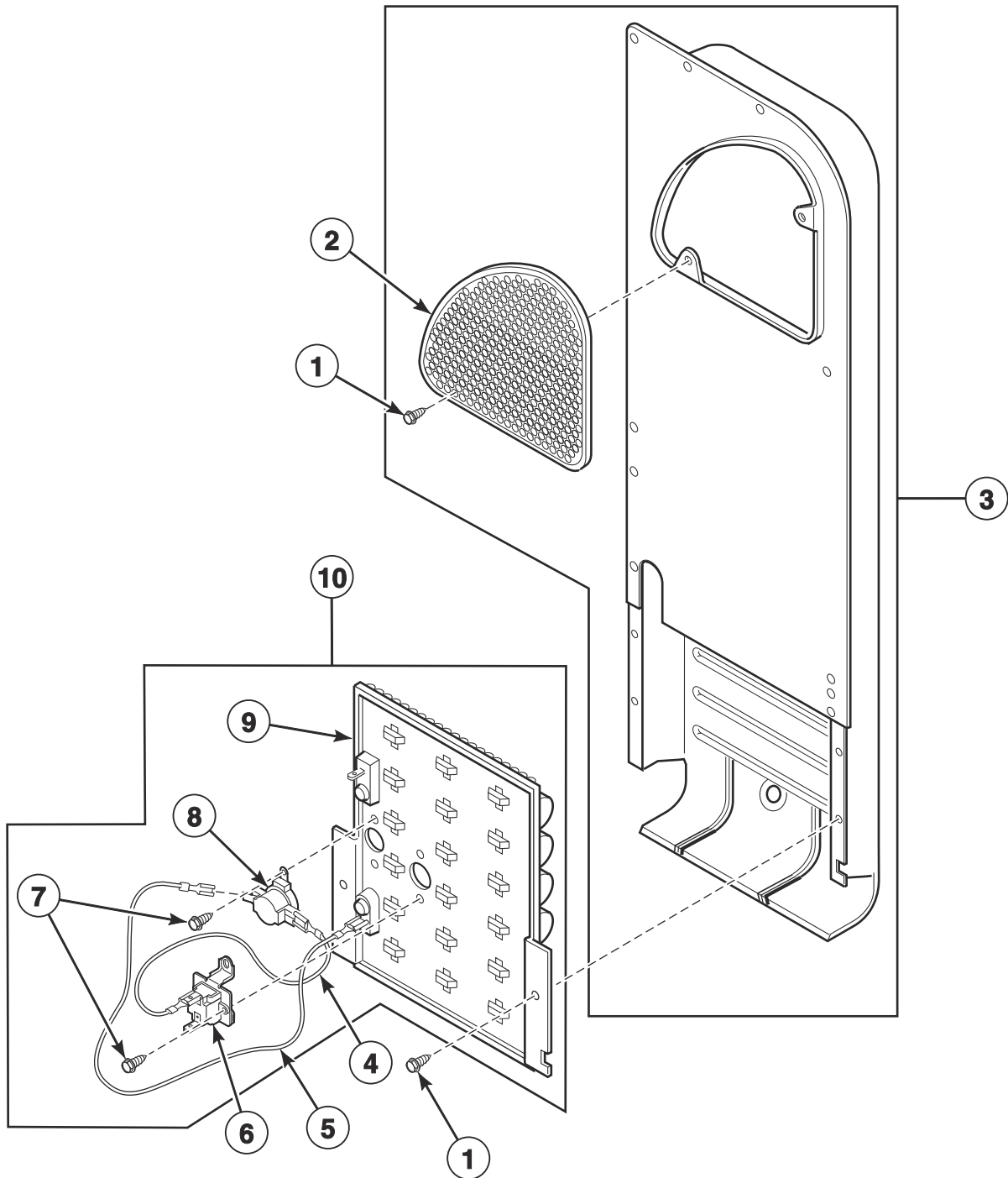
DRY1787P\_806122

# Rear Bulkhead, Felt Seal, Cylinder Roller and Terminal Block

| REF | PART NO.  | DESCRIPTION             | COMMENTS  |
|-----|-----------|-------------------------|---|
| 1   | D510207P  | Cylinder Seal Assembly  |   |
|     | D511637P  | Adhesive                | Apply to cylinder seal  |
|     | RB170001  | Seal Kit                | Includes 2 cylinder seals, D510238P Blower Housing Seal and Adhesive  |
| 2   | D503688   | Screw                   |   |
| 3   | D511082P  | Rear Bulkhead Assembly  | Includes item 1   |
|     | D510905WP | Rear Bulkhead Assembly  | White; Includes item 1; If black marks appear on clothes, replace rear bulkhead with this part, cylinder with D510159WP Cylinder Assembly and front bulkhead with D505899WP Bulkhead Assembly   |
| 4   | D501285   | Screw                   | Electric models   |
| 5   | D510237   | Terminal Block Shield   | Models BTEBCASP173TW01, BTEBEASP283CW01, BTEBXASP173FW28, BTEBYASP173TW01, HTEBCASP173TW01, HTEBDASP283CW01, HTEBXASP133DW01, HTEBXASP173FW28, HTEBXASP283CW01, HTEBXASP293CW01, HTEBXASP543DW01, HTEBYASP283CW01, NTEBXASP303NW01, NTEBXASP303NW22, STEBCASP173TQ01, STEBCASP173TW01, STEBXASP133DW01, STEBXASP173FW28, STEBXASP173TQ01, STEBXASP173TW01, STEBXASP303NW22, STEBXASP303UW01, STEBXASP543DW01, STEBXASP543ZW01, STEBYASP173TW01 and TTEBXASP303NW22; Through Serial No. 1903000001 |
|     | D517715   | Terminal Block Shield   | Models BTEBLASP433AW01, BTEBXASP433AW01, BTGBLASP303AW01, BTGBXASP303AW01, STEBXASP433AW01, STEBXASP433AW12, STGBXASP303AW01 and STGBXASP303AW12  |
| 6   | D510190P  | Terminal Block Assembly | Includes 3 of item 7; Electric models   |
| 7   | 61199     | Screw                   |   |
| 8   | D510100   | Cylinder Roller Bracket |   |
| 9   | D510708P  | Cylinder Roller         |   |
| 10  | 23748     | Retaining Ring          |   |
| 11  | 52549     | Washer                  |   |
| 12  | D504082   | Washer                  |   |
| 13  | 56461P    | Shaft                   |   |
| 14  | RB170002  | Roller Kit              | Includes 2 each of items 9-13   |
| 15  | 56156     | Nut                     |   |

# Heater Duct and Element Assembly

Electric Models



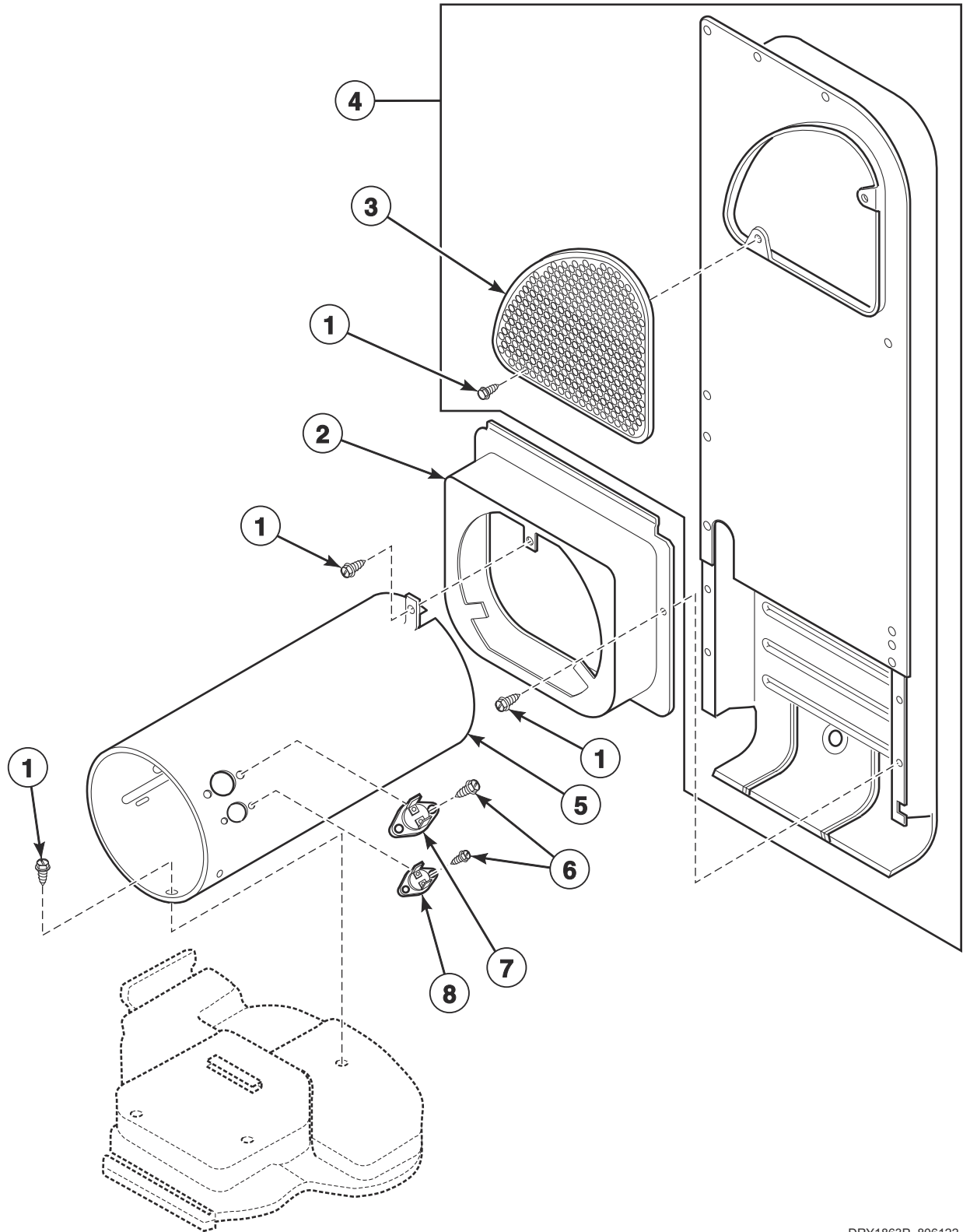
DRY1789P\_806122

# Heater Duct and Element Assembly

| REF | PART NO. | DESCRIPTION           | COMMENTS  |
|-----|----------|-----------------------|---|
| 1   | D503688  | Screw                 |   |
| 2   | D500820  | Outlet Cover          | Aluminized steel  |
|     | D518524  | Outlet Cover          | Black; Nitrocarburized  |
| 3   | D510025P | Heater Duct Assembly  | Includes items 1 and 2  |
| 4   | D518256  | Wire Assembly         | Orange; Thermostat jumper   |
| 5   | D518255  | Wire Assembly         | Black; Fuse jumper  |
| 6   | D518542  | Thermal Fuse Assembly |   |
| 7   | 23222    | Screw                 |   |
| 8   | D510701  | Limit Thermostat      |   |
| 9   | D510326P | Heater Assembly       | 4800 Watt; 240 Volt/50 Hertz; Models NTEBXASP303NW01, NTEBXASP303NW22, STEBXASP303NW22, STEBXASP303UW01 and TTEBXASP303NW22   |
|     | D510324P | Heater Assembly       | 5000 Watt; 240 Volt/60 Hertz; Models BTEBEASP283CW01, HTEBDASP283CW01, HTEBXASP283CW01 and HTEBYASP283CW01  |
|     | D510330P | Heater Assembly       | 4250 Watt; 208 Volt/60 Hertz; Model HTEBXASP293CW01   |
|     | D510327P | Heater Assembly       | 4000 Watt; 240 Volt/50 Hertz; Models BTEBLASP433AW01, BTEBXASP433AW01, STEBXASP433AW01 and STEBXASP433AW12  |
|     | D510329P | Heater Assembly       | 5350 Watt; 240 Volt/60 Hertz; All other models  |
| 10  | 61927    | Heater Kit Assembly   | Includes items 4-9; 5000 Watt; 240 Volt/60 Hertz; Models BTEBEASP283CW01, HTEBDASP283CW01, HTEBXASP283CW01 and HTEBYASP283CW01  |
|     | 61928    | Heater Kit Assembly   | Optional conversion; Includes items 4-9; 4750 Watt; 208 Volt/60 Hertz; Models BTEBCASP173TW01, BTEBXASP173FW28, BTEBYASP173TW01, HTEBCASP173TW01, HTEBXASP133DW01, HTEBXASP173FW28, HTEBXASP543DW01, STEBCASP173TQ01, STEBCASP173TW01, STEBXASP133DW01, STEBXASP173FW28, STEBXASP173TQ01, STEBXASP173TW01, STEBXASP543DW01, STEBXASP543ZW01 and STEBYASP173TW01               |
|     | 61929    | Heater Kit Assembly   | Includes items 4-9; 4800 Watt; 240 Volt/50 Hertz; Models NTEBXASP303NW01, NTEBXASP303NW22, STEBXASP303NW22, STEBXASP303UW01 and TTEBXASP303NW22   |
|     | 61930    | Heater Kit Assembly   | Includes items 4-9; 4000 Watt; 240 Volt/50 Hertz; Models BTEBLASP433AW01, BTEBXASP433AW01, STEBXASP433AW01 and STEBXASP433AW12  |
|     | 964P3    | Heater Kit            | Includes factory-installed heater; Includes items 4-9; 5350 Watt; 240 Volt/60 Hertz; Models BTEBCASP173TW01, BTEBXASP173FW28, BTEBYASP173TW01, HTEBCASP173TW01, HTEBXASP133DW01, HTEBXASP173FW28, HTEBXASP543DW01, STEBCASP173TQ01, STEBCASP173TW01, STEBXASP133DW01, STEBXASP173FW28, STEBXASP173TQ01, STEBXASP173TW01, STEBXASP543DW01, STEBXASP543ZW01 and STEBYASP173TW01 |
|     | 965P3    | Heater Kit            | Includes items 4-9; 4250 Watt; 208 Volt/60 Hertz; Model HTEBXASP293CW01   |

# Heater Duct Assembly

Gas Models



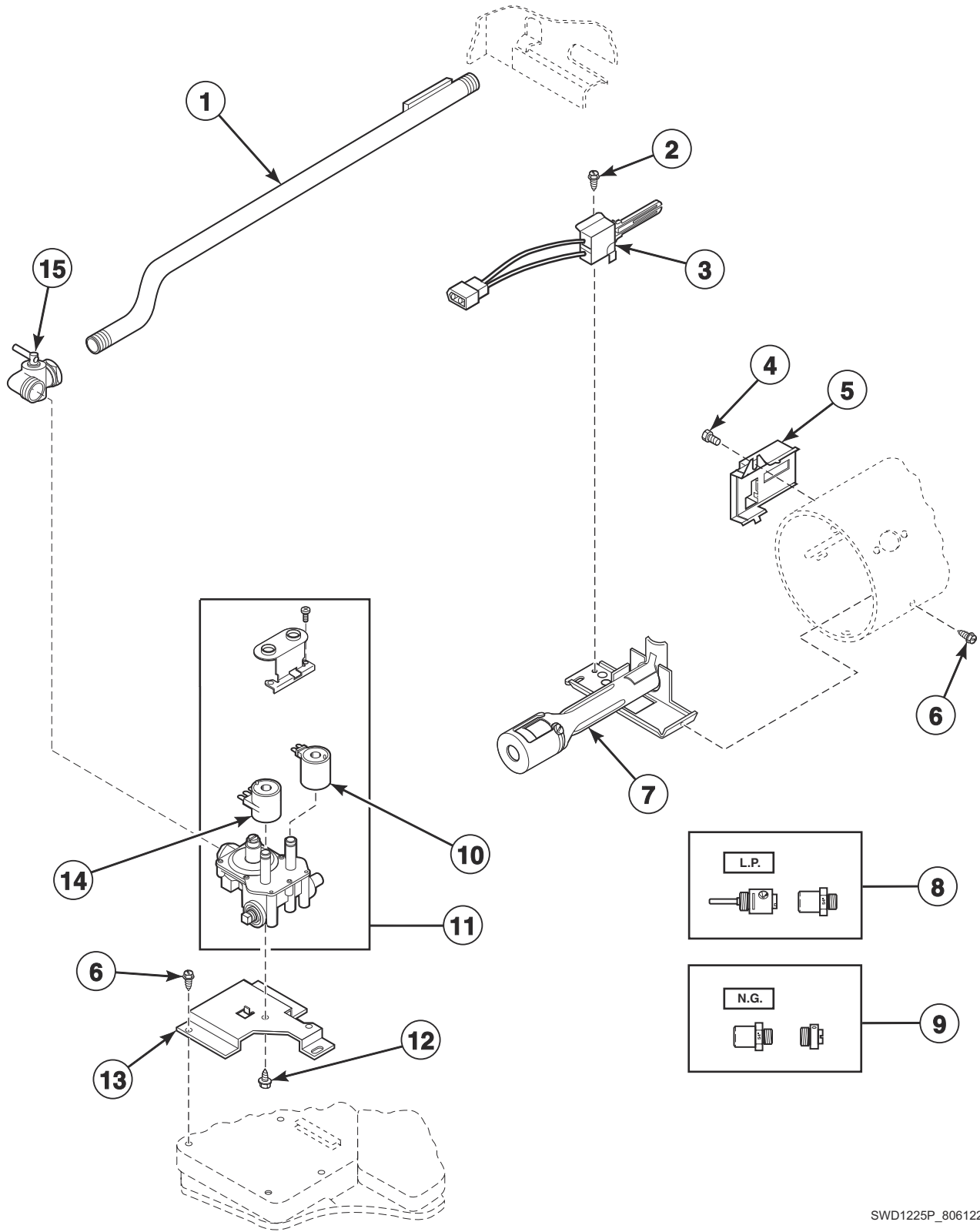
DRY1863P\_806122

# Heater Duct Assembly

| REF | PART NO. | DESCRIPTION          | COMMENTS  |
|-----|----------|----------------------|---|
| 1   | D503688  | Screw                |   |
| 2   | D510101  | Heat Duct Shroud     |   |
| 3   | D500820  | Outlet Cover         |   |
| 4   | D510025P | Heater Duct Assembly | Includes items 1 and 3  |
| 5   | D510132  | Combustion Duct      | Double thermostat; Models BTGBCASP113TW01, BTGBXASP113FW28, BTGBYASP113TW01, HTGBCASP113TW01, HTGBDASP093CW01, HTGBXASP093CW01, HTGBXASP113FW28, HTGBXASP123DW01, HTGBXASP543DW01, HTGBYASP093CW01, HTGBYASP113TW01, STGBCASP113TW01, STGBXASG113TW01, STGBXASP113FW28, STGBXASP113TW01, STGBXASP123DW01, STGBXASP543DW01 and STGBYASP113TW01 |
|     | D510131  | Combustion Duct      | Single thermostat; All other models   |
| 6   | 51782    | Screw                |   |
| 7   | D510702  | Limit Thermostat     | Black; Auto reset   |
| 8   | D510703  | Thermostat           | Manual reset; Models BTGBCASP113TW01, BTGBXASP113FW28, BTGBYASP113TW01, HTGBCASP113TW01, HTGBDASP093CW01, HTGBXASP093CW01, HTGBXASP113FW28, HTGBXASP123DW01, HTGBXASP543DW01, HTGBYASP093CW01, HTGBYASP113TW01, STGBCASP113TW01, STGBXASG113TW01, STGBXASP113FW28, STGBXASP113TW01, STGBXASP123DW01, STGBXASP543DW01 and STGBYASP113TW01      |

# Gas Valve, Igniter and Gas Conversion Kits

Gas Model Dryers



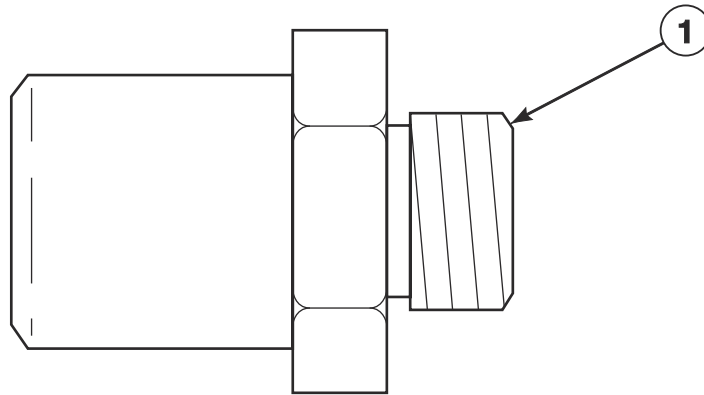


## Gas Valve, Igniter and Gas Conversion Kits

| REF | PART NO. | DESCRIPTION                  | COMMENTS   |
|-----|----------|------------------------------|--|
| 1   | D510204  | Lead-In Pipe Assembly        |  |
| 2   | 51782    | Screw                        |  |
| 3   | D510184P | Igniter and Bracket Assembly |  |
| 4   | 23222    | Screw                        |  |
| 5   | D510213  | Sensor                       |  |
| 6   | D503688  | Screw                        |  |
| 7   | D510149P | Burner Assembly              |  |
| 8   | 600P3    | L.P. Conversion Kit          | Models BTGBLASP303AW01, BTGBXASP303AW01, NTGBXASP303NW01, NTLBXASP303NW26, STGBXASP303AW01, STGBXASP303AW12, STGBXASP303NW22 and STGBXASP303ZW01; 50 Hertz; Used to convert dryers from Natural Gas (N.G.) or Mixed Gas to Liquid Petroleum Gas (L.P.); 25,000 Btu   |
|     | 458P3    | L.P. Conversion Kit          | 60 Hertz; Used to convert dryers from N.G. or Mixed Gas to L.P.; 25,000 Btu; All other models  |
| 9   | 459P3    | N.G. Conversion Kit          | Used to convert dryers from L.P. to N.G. or Mixed Gas; 25,000 Btu  |
| 10  | 58804B   | Secondary Coil               | 60 Hertz; Models BTGBCASP113TW01, BTGBXASP113FW28, BTGBYASP113TW01, HTGBCASP113TW01, HTGBDASP093CW01, HTGBXASP093CW01, HTGBXASP113FW28, HTGBXASP123DW01, HTGBXASP543DW01, HTGBYASP093CW01, HTGBYASP113TW01, STGBCASP113TW01, STGBXASG113TW01, STGBXASP113FW28, STGBXASP113TW01, STGBXASP123DW01, STGBXASP543DW01 and STGBYASP113TW01 |
|     | 59063B   | Secondary Coil               | 50 Hertz; Models BTGBLASP303AW01, BTGBXASP303AW01, NTGBXASP303NW01, NTLBXASP303NW26, STGBXASP303AW01, STGBXASP303AW12, STGBXASP303NW22 and STGBXASP303ZW01   |
| 11  | 60443P   | Valve Assembly               | 50 Hertz; 25,000 Btu; Models BTGBLASP303AW01, BTGBXASP303AW01, NTGBXASP303NW01, STGBXASP303AW01, STGBXASP303AW12, STGBXASP303NW22 and STGBXASP303ZW01  |
|     | D510506P | Gas Valve Assembly           | Models HTGBXASP123DW01, HTGBXASP543DW01, STGBXASP123DW01 and STGBXASP543DW01   |
|     | D515490  | Gas Valve Assembly           | Model NTLBXASP303NW26  |
|     | 60353P   | Gas Valve Assembly           | 60 Hertz, 25,000 Btu; All other models   |
| 12  | 56124    | Screw                        |  |
| 13  | D510128  | Gas Valve Mounting Bracket   |  |
| 14  | 58804A   | Booster and Holding Coil     | 60 Hertz; Models BTGBCASP113TW01, BTGBXASP113FW28, BTGBYASP113TW01, HTGBCASP113TW01, HTGBDASP093CW01, HTGBXASP093CW01, HTGBXASP113FW28, HTGBXASP123DW01, HTGBXASP543DW01, HTGBYASP093CW01, HTGBYASP113TW01, STGBCASP113TW01, STGBXASG113TW01, STGBXASP113FW28, STGBXASP113TW01, STGBXASP123DW01, STGBXASP543DW01 and STGBYASP113TW01 |
|     | 59063A   | Booster and Holding Coil     | 50 Hertz; Models BTGBLASP303AW01, BTGBXASP303AW01, NTGBXASP303NW01, NTLBXASP303NW26, STGBXASP303AW01, STGBXASP303AW12, STGBXASP303NW22 and STGBXASP303ZW01   |
| 15  | D510205  | Elbow Shut-Off Valve         |  |

# Burner Orifice Spuds - For Higher Elevations

Gas Models

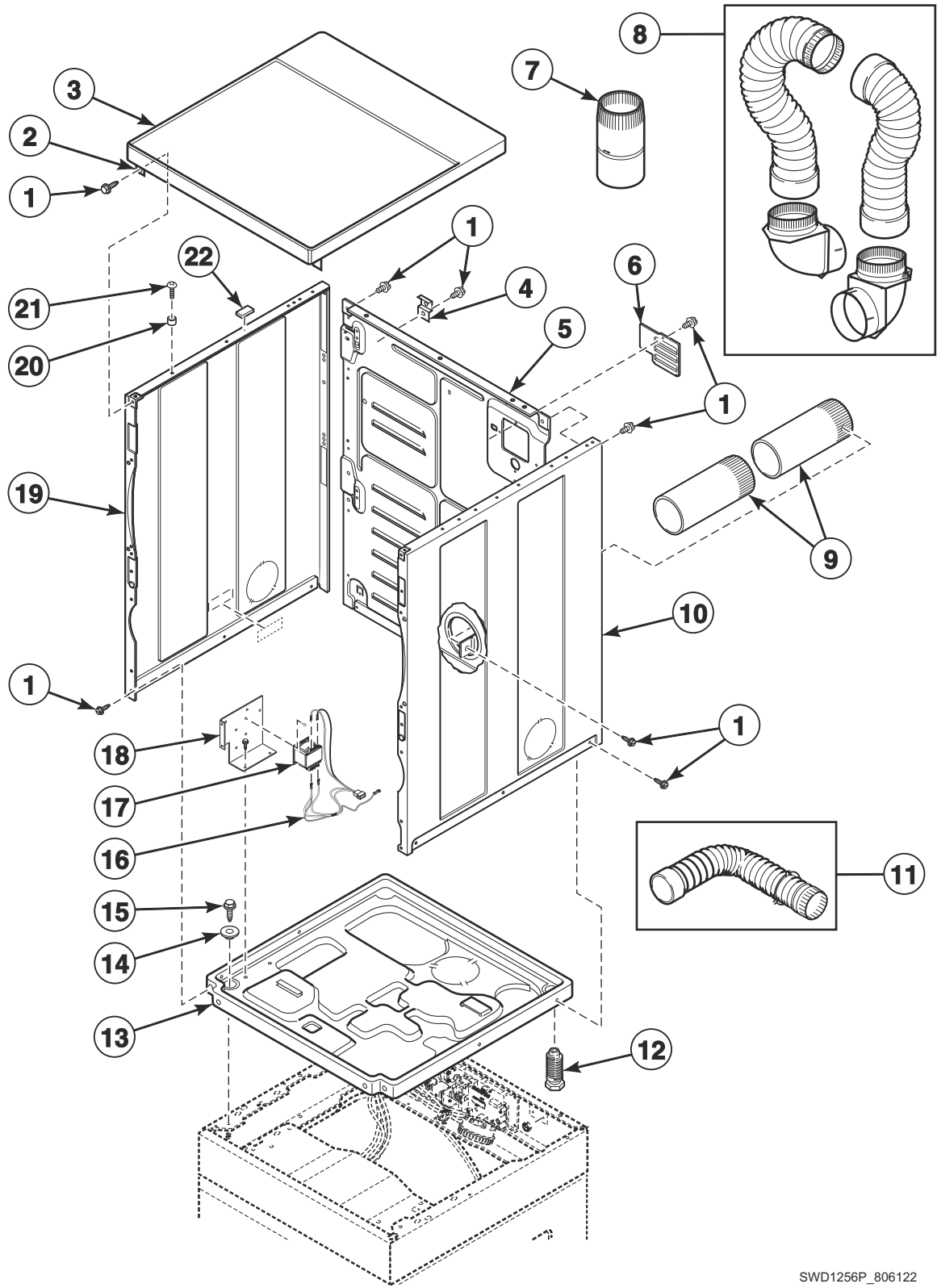


DRY2266P\_806122

## Burner Orifice Spuds - For Higher Elevations

| REF | PART NO. | DESCRIPTION   | COMMENTS   |
|-----|----------|---------------|--|
| 1   | 58755    | L.P. Orifice  | 25,000 Btu; 7500-10,999 feet (2290-3354 m)                   |
|     | D503786  | L.P. Orifice  | 25,000 Btu; 11,000 feet (3355 m) and higher                  |
|     | 58719    | Screw Orifice | Natural Gas (N.G.); 25,000 Btu; 7000-8999 feet (2135-2744 m) |
|     | D503776  | N.G. Orifice  | 25,000 Btu; 2000-2999 feet (610-914 m)                       |
|     | D510517  | N.G. Orifice  | 25,000 Btu; 3000-5499 feet (915-1678 m)                      |
|     | D503778  | N.G. Orifice  | 25,000 Btu; 5500-6999 feet (1680-2134 m)                     |
|     | D503779  | N.G. Orifice  | 25,000 Btu; 9000-10,499 feet (2745-3199 m)                   |
|     | D503780  | N.G. Orifice  | 25,000 Btu; 10,500 feet (3200 m) and higher                  |

# Dryer Cabinet, Exhaust Duct and Base



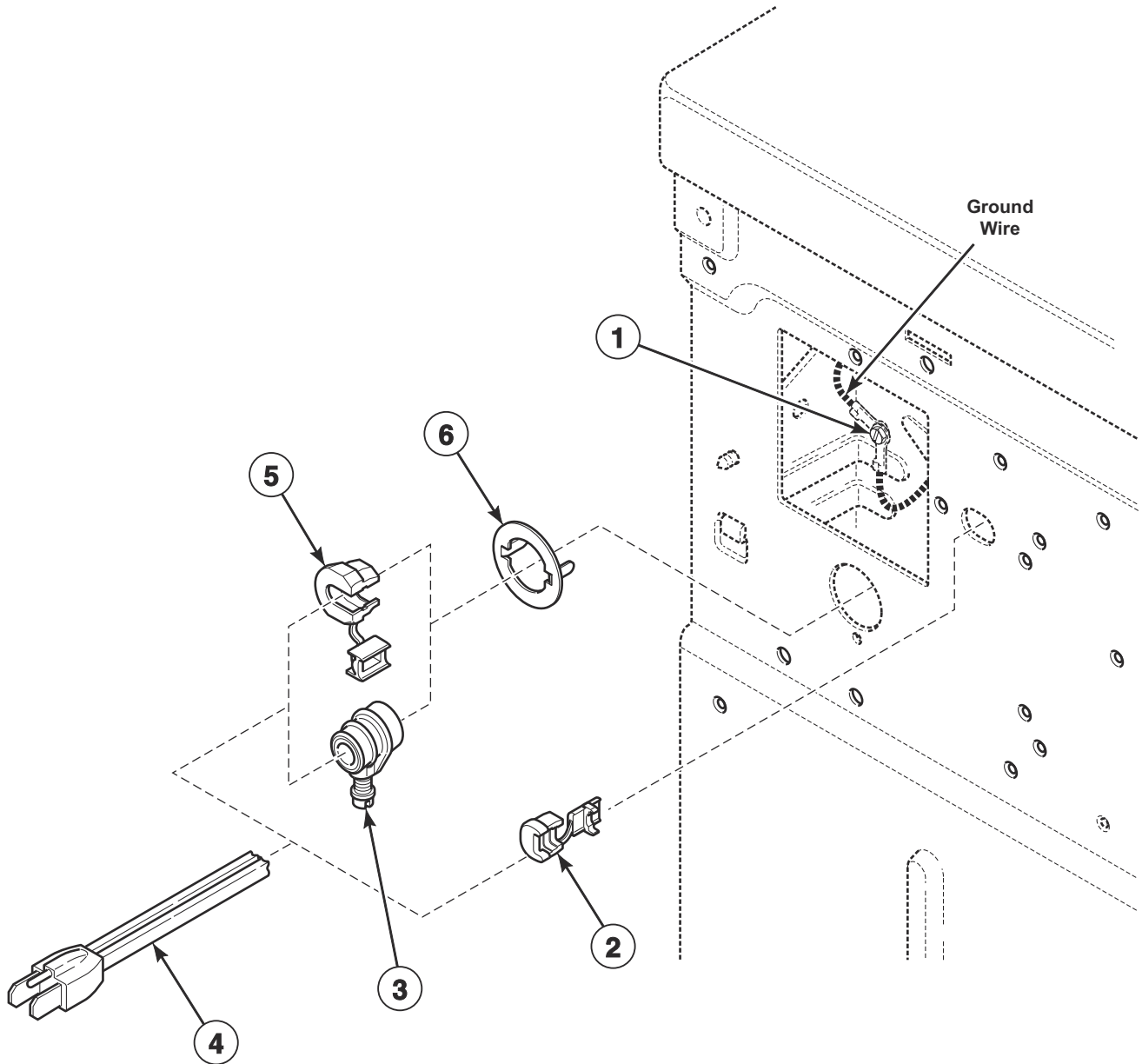
SWD1256P\_806122

## Dryer Cabinet, Exhaust Duct and Base

| REF | PART NO.  | DESCRIPTION              | COMMENTS   |
|-----|-----------|--------------------------|--|
|     | 122P4P    | Porcelain Touch-Up Paint | White  |
| 1   | D503688   | Screw                    |  |
| 2   | D510146   | Bracket                  |  |
| 3   | D510032WP | Top Kit                  |  |
| 4   | D510136   | Top Hinge                |  |
| 5   | D514632P  | Cabinet Rear Panel       |  |
| 6   | D510903   | Access Panel Plate       |  |
| 7   | 58786     | Damper                   |  |
| 8   | 521P3     | Flexible Venting Kit     |  |
| 9   | D516196   | Exhaust Duct             | Each dryer requires 2 pieces   |
| 10  | D510002WP | Cabinet Side Panel       | Right  |
| 11  | 528P3     | Directional Exhaust Kit  | Used to vent dryer out the sides   |
| 12  | D510135   | Leveling Leg             |  |
| 13  | D514245   | Dryer Base               |  |
| 14  | 26509     | Washer                   |  |
| 15  | 36048     | Screw                    |  |
| 16  | D511303   | Wire Harness Assembly    | Transformer adapter; Includes D502592 Fuse, 3.15 Amp; 250Volt; Models BTGBLASP303AW01, BTGBXASP303AW01, HTGBXASP543DW01, NTGBXASP303NW01, NTLBXASP303NW26, STGBXASP303AW01, STGBXASP303AW12, STGBXASP303NW22 and STGBXASP543DW01 |
| 17  | D511658P  | Transformer Kit          | Includes item 16; Models BTGBLASP303AW01, BTGBXASP303AW01, HTGBXASP543DW01, NTGBXASP303NW01, NTLBXASP303NW26, STGBXASP303AW01, STGBXASP303AW12, STGBXASP303NW22 and STGBXASP543DW01  |
| 18  | D511859   | Contactoer Bracket       | Models BTGBLASP303AW01, BTGBXASP303AW01, HTGBXASP543DW01, NTGBXASP303NW01, NTLBXASP303NW26, STGBXASP303AW01, STGBXASP303AW12, STGBXASP303NW22 and STGBXASP543DW01  |
| 19  | D510001WP | Cabinet Side Panel       | Left   |
| 20  | 56079     | Panel Locator            |  |
| 21  | 39733     | Screw                    |  |
| 22  | 56128     | Bumper Pad               |  |

# Dryer Power Cord

Models BTEBLASP433AW01, BTEBXASP433AW01, BTGBCASP113TW01, BTGBLASP303AW01, BTGBXASP113FW28, BTGBXASP303AW01, BTGBYASP113TW01, HTGBCASP113TW01, HTGBDASP093CW01, HTGBXASP093CW01, HTGBXASP113FW28, HTGBXASP123DW01, HTGBXASP543DW01, HTGBYASP093CW01, HTGBYASP113TW01, NTLBXASP303NW26, STEBXASP303UW01, STEBXASP433AW01, STEBXASP433AW12, STGBCASP113TW01, STGBXASG113TW01, STGBXASP113FW28, STGBXASP113TW01, STGBXASP123DW01, STGBXASP303AW01, STGBXASP303AW12, STGBXASP543DW01 and STGBYASP113TW01

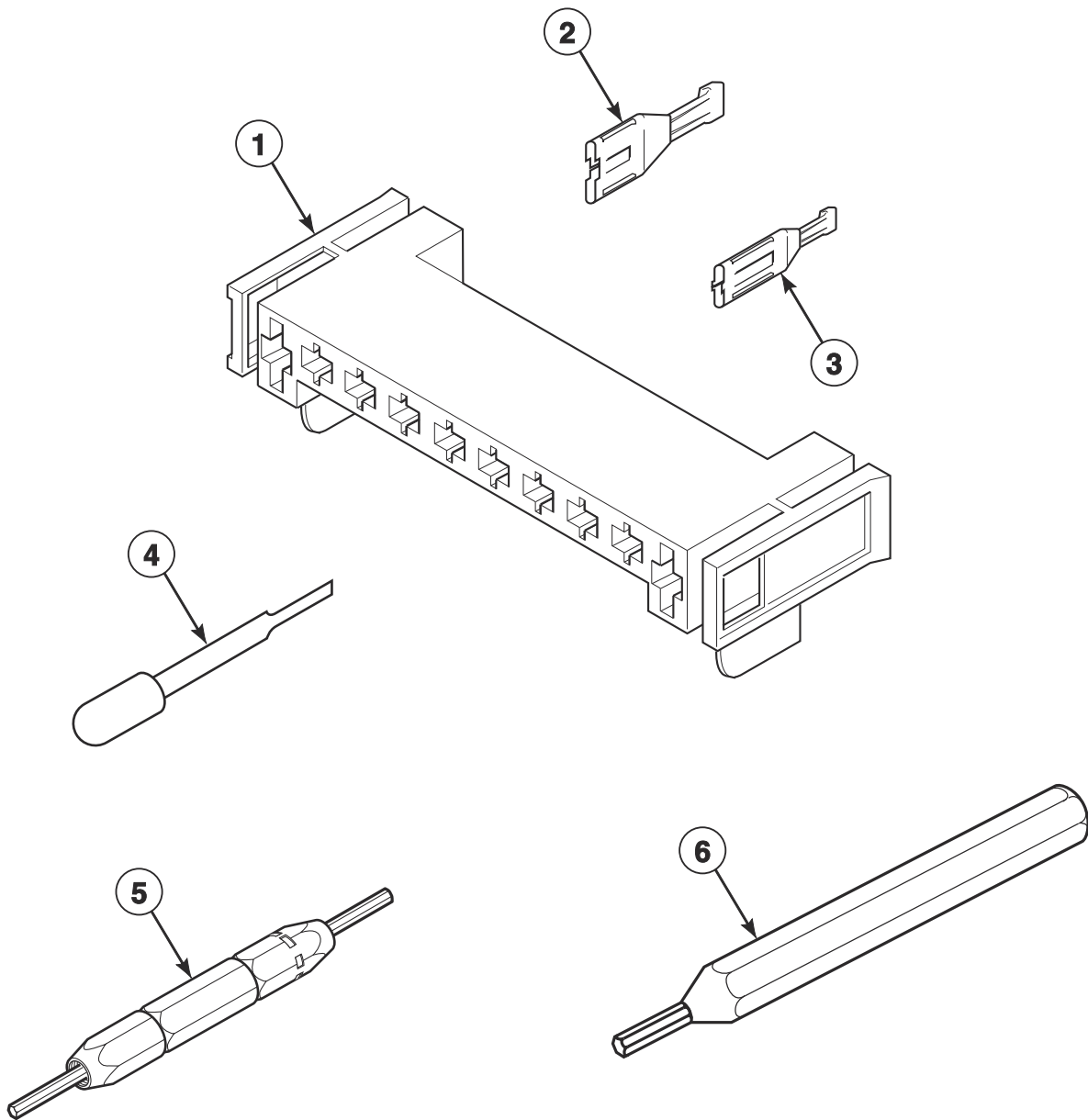


SWD1230P\_806122

# Dryer Power Cord

| REF | PART NO. | DESCRIPTION             | COMMENTS  |
|-----|----------|-------------------------|---|
| 1   | 20530    | Screw                   |   |
| 2   | 38384    | Strain Relief           | Models BTGBCASP113TW01, BTGBXASP113FW28, BTGBYASP113TW01, HTGBCASP113TW01, HTGBXASP113FW28, HTGBXASP123DW01, HTGBXASP543DW01, HTGBYASP113TW01, STGBCASP113TW01, STGBXASP113TW01, STGBXASP113FW28, STGBXASP113TW01, STGBXASP123DW01, STGBXASP543DW01 and STGBYASP113TW01 |
| 3   | D502500  | Strain Relief           | Model NTLBXASP303NW26   |
| 4   | 61605P   | Lead-In Cord Kit        | Models BTEBLASP433AW01, BTEBXASP433AW01, STEBXASP433AW01 and STEBXASP433AW12  |
|     | D515312  | Lead-In Cord            | Models BTGBXASP113FW28, HTGBXASP113FW28 and STGBXASP113FW28   |
|     | D516747  | Lead-In Cord Assembly   | Model STEBXASP303UW01   |
|     | D512019  | Lead-In Cord            | Models BTGBLASP303AW01, BTGBXASP303AW01, STGBXASP303AW01 and STGBXASP303AW12  |
|     | 58992    | Power Cord Assembly     | Models HTGBDASP093CW01, HTGBXASP093CW01 and HTGBYASP093CW01   |
|     | D514222  | Lead-In Cord Assembly   | Models HTGBXASP123DW01 and STGBXASP123DW01  |
|     | D514289  | Lead-In Cord Assembly   | Models HTGBXASP543DW01 and STGBXASP543DW01  |
|     | 59373    | Lead-In Cord            | Model NTLBXASP303NW26   |
|     | 59308    | Lead-In Cord            | Models BTGBCASP113TW01, BTGBYASP113TW01, HTGBCASP113TW01, HTGBYASP113TW01, STGBCASP113TW01, STGBXASP113TW01, STGBXASP113FW28 and STGBYASP113TW01  |
| 5   | 52113    | Strain Relief           | Models BTEBLASP433AW01, BTEBXASP433AW01, STEBXASP303UW01, STEBXASP433AW01 and STEBXASP433AW12   |
|     | D511628  | Strain Relief Connector | Models HTGBDASP093CW01, HTGBXASP093CW01 and HTGBYASP093CW01   |
|     | 60298    | Strain Relief           | Models BTGBLASP303AW01, BTGBXASP303AW01, STGBXASP303AW01 and STGBXASP303AW12  |
| 6   | D502496  | Strain Relief Adapter   | Models BTEBLASP433AW01, BTEBXASP433AW01, BTGBLASP303AW01, BTGBXASP303AW01, NTLBXASP303NW26, STEBXASP303UW01, STEBXASP433AW01, STEBXASP433AW12, STGBXASP303AW01 and STGBXASP303AW12  |

# Dryer Terminals and Terminal Extractor Tools



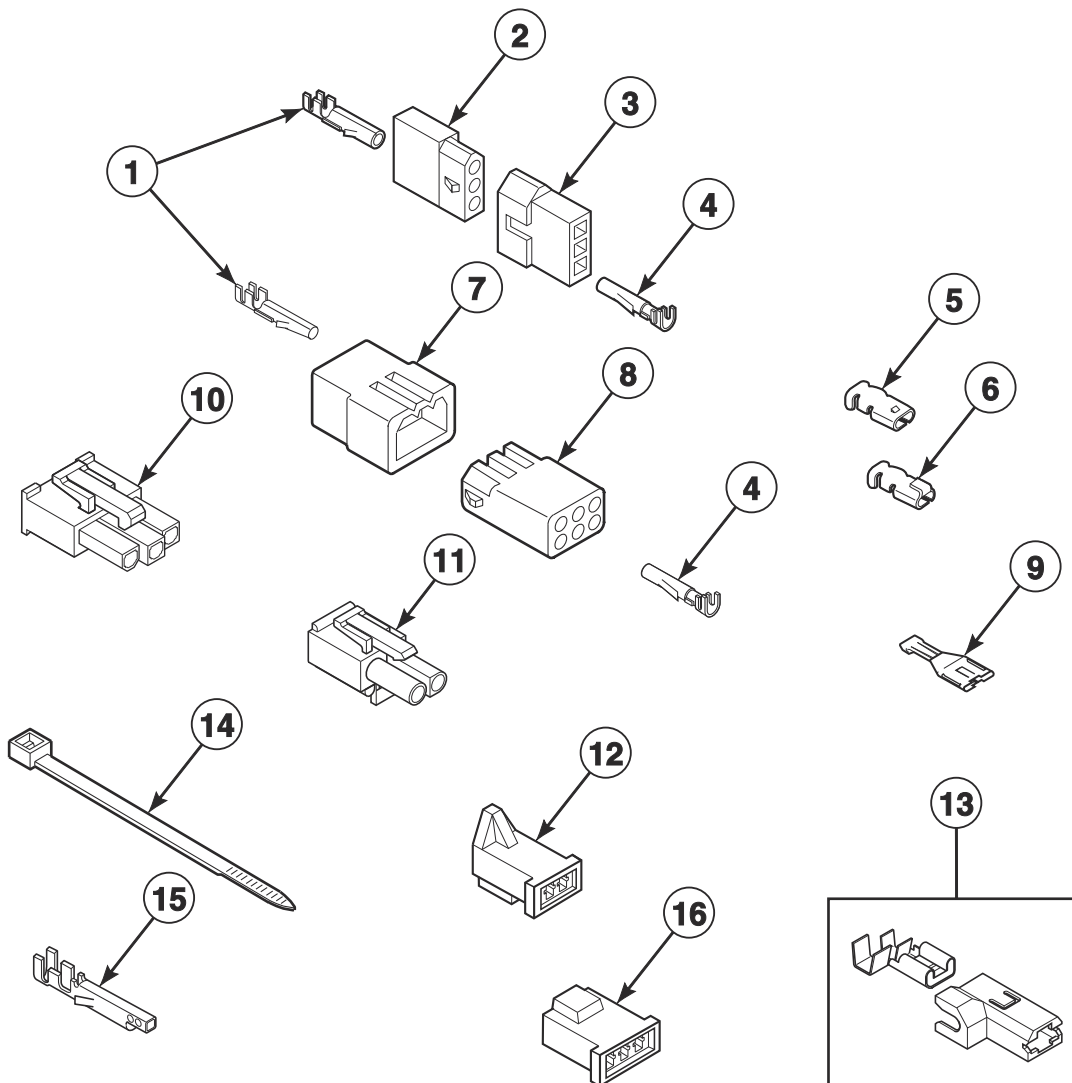
DRY1767P\_806122



## Dryer Terminals and Terminal Extractor Tools

| REF | PART NO. | DESCRIPTION             | COMMENTS  |
|-----|----------|-------------------------|---|
| 1   | D500338  | 10 Position Housing     |   |
| 2   | 00255    | Female Terminal         | 1/4 inch; (1) 12 gauge wire; Electric models    |
|     | 00256    | Female Terminal         | 1/4 inch; (1) or (2) 18 gauge wires; Gas models |
| 3   | 00188    | Female Terminal         | For 1 or 2 wire application                     |
| 4   | 283P4    | Terminal Extractor Tool | For use on Molex connectors                     |
| 5   | 190P4    | Extractor Tool          | For use on electric dryer terminals             |
| 6   | 128P4    | Extractor Tool          | For use on gas dryer terminals                  |

# Terminals

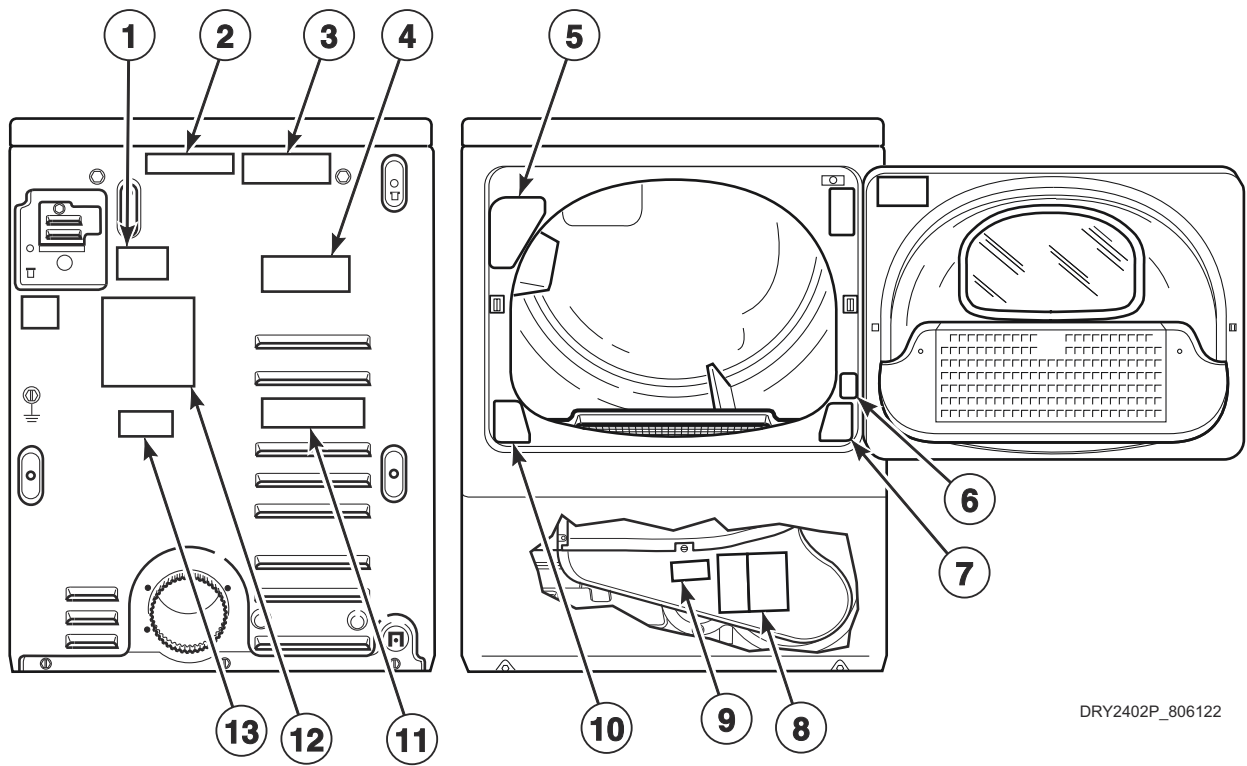


SWD1143P\_806122

# Terminals

| REF | PART NO. | DESCRIPTION                    | COMMENTS   |
|-----|----------|--------------------------------|------------|
| 1   | 00117    | Female Pin Terminal            |            |
| 2   | 23039    | 3 Circuit Receptacle           |            |
| 3   | 23040    | Plug                           |            |
| 4   | 00116    | Male Pin Terminal              |            |
| 5   | 00189    | Female Spade Terminal          | Gas models |
| 6   | 00361    | Female Piggyback Terminal      | Gas models |
| 7   | 23033    | 9 Circuit Plug                 |            |
| 8   | 26708    | 6 Circuit Receptacle           |            |
| 9   | 00256    | Female Terminal                |            |
| 10  | 36170    | 3 Circuit Receptacle           |            |
| 11  | D501223  | 2 Circuit Receptacle           |            |
| 12  | 58799    | 2 Circuit Connector            | Gas models |
| 13  | 00221    | Insulated Female Flag Terminal |            |
| 14  | 55881    | Harness Strap                  |            |
| 15  | 00252    | Terminal                       |            |
| 16  | 58800    | 3 Circuit Connector            | Gas models |

# Dryer Labels

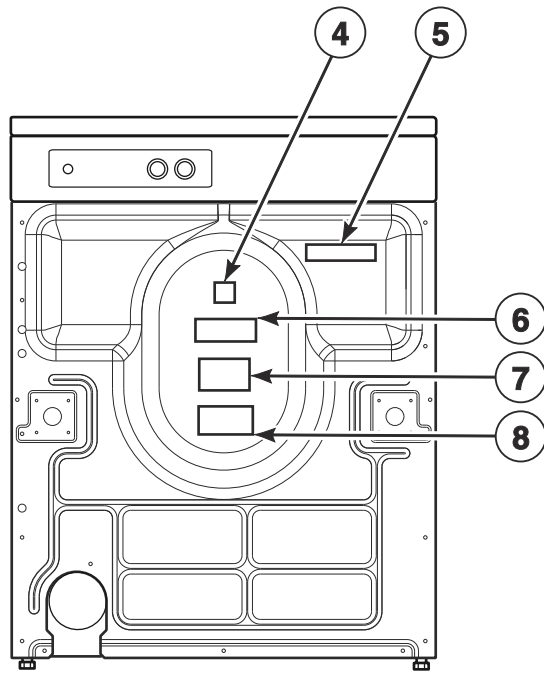
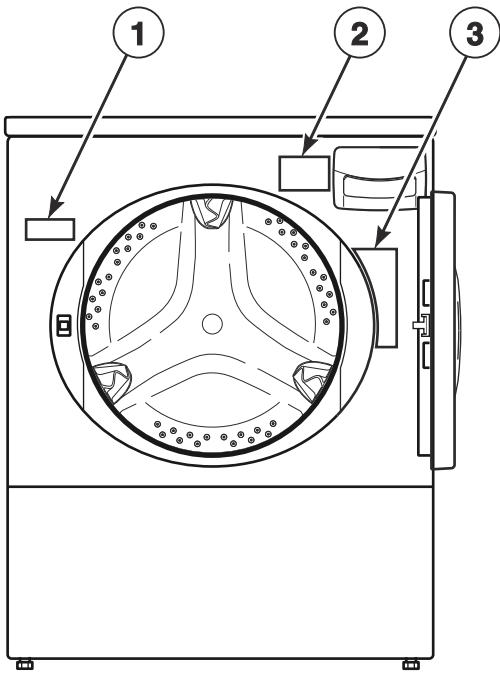


DRY2402P\_806122

## Dryer Labels

| REF | PART NO. | DESCRIPTION                    | COMMENTS                                |
|-----|----------|--------------------------------|---|
| 1   | 803260   | Warning Label                  | Turn off controls                       |
| 2   | D505281  | Disconnect Power Warning Label | Text; English; Disconnect power         |
|     | D500316  | Warning Label                  | English/French; Disconnect power        |
| 3   | 44324001 | Warning Label                  | Text; Electric shock                    |
| 4   | D502791  | Venting Instruction Label      |   |
| 5   | D500281  | Warning/Caution Label          | English                                 |
|     | D516243  | Warning Label                  | Quebec French                           |
| 6   | D503887  | Label                          | Australian gas association              |
|     | D500240  | Natural/L.P. Gas Label         | English/Quebec French                   |
| 7   | D512263  | Warning Label                  |   |
| 8   | D511004  | Gas Clearance Label            |   |
| 9   | D500049  | Warning Label                  | Text; Electric shock                    |
|     | F8211201 | Electrical Shock Label         | Icon; Electric shock                    |
|     | F8615701 | Pinch Warning Label            | Icon; Crush hazard                      |
| 10  | D502781  | Lint Filter Label              | Icon                                    |
| 11  | D505215  | Gas Label                      | Text; Stainless steel flexible gas line |
| 12  | D511005  | Electric Clearance Label       |   |
| 13  | D500497  | Exhaust Warning Label          | Text                                    |
|     | D502507  | Exhaust Warning Label          | Icon                                    |
|     | D502508  | Warning Label                  | Icon; Fire                              |

# Washer Labels

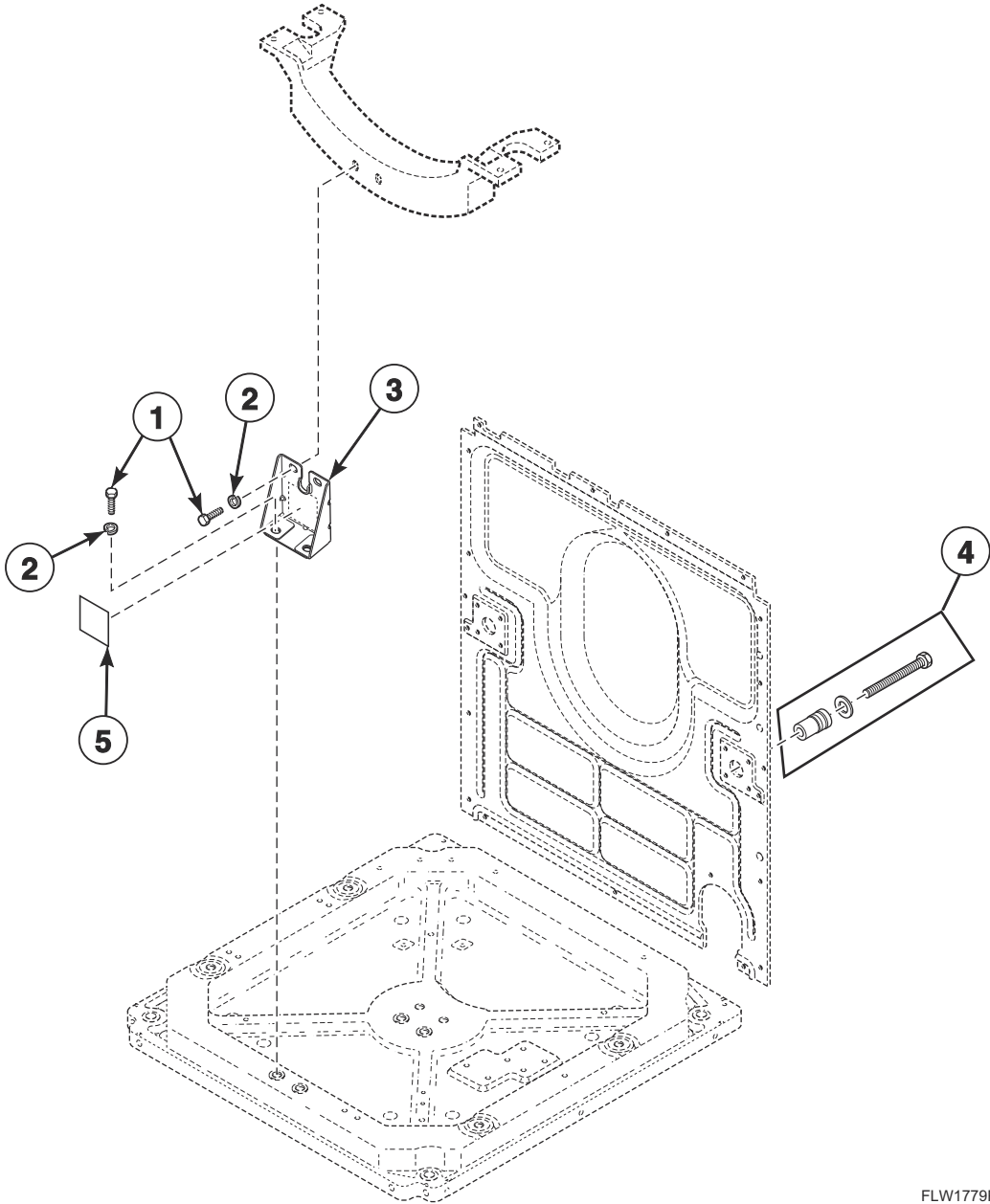


FLW1722P\_806122

## Washer Labels

| REF | PART NO. | DESCRIPTION                    | COMMENTS   |
|-----|----------|--------------------------------|--|
| 1   | 803011   | Notice Label                   |  |
| 2   | 802074   | Oversudsing Label              | English  |
|     | 802838   | Oversudsing Label              | Spanish  |
|     | 802839   | Oversudsing Label              | Quebec French  |
| 3   | 802367   | Warning Label                  | English; Reduce fire risk; Door locked               |
|     | 806591   | Warning Label                  | English/Quebec French; Reduce fire risk; Door locked |
| 4   | D513371  | Read Instructions Label        |  |
| 5   | D505281  | Disconnect Power Warning Label | English  |
|     | 801706   | Caution Label                  | Icon; Ground machine                                 |
|     | D500316  | Warning Label                  | English/French; Disconnect Power                     |
| 6   | 685928   | Left Hand Thread Label         | Text   |
|     | 804949   | Left Hand Thread Label         | Icon   |
| 7   | 803260   | Warning Label                  | Disconnect power                                     |
|     | F8211201 | Electrical Shock Label         | Icon; Electric shock                                 |
| 8   | D500049  | Warning Label                  | English  |
|     | D500314  | Warning Label                  | English/French                                       |
|     | F8615701 | Pinch Warning Label            | Icon; Crush hazard                                   |

# Shipping Materials



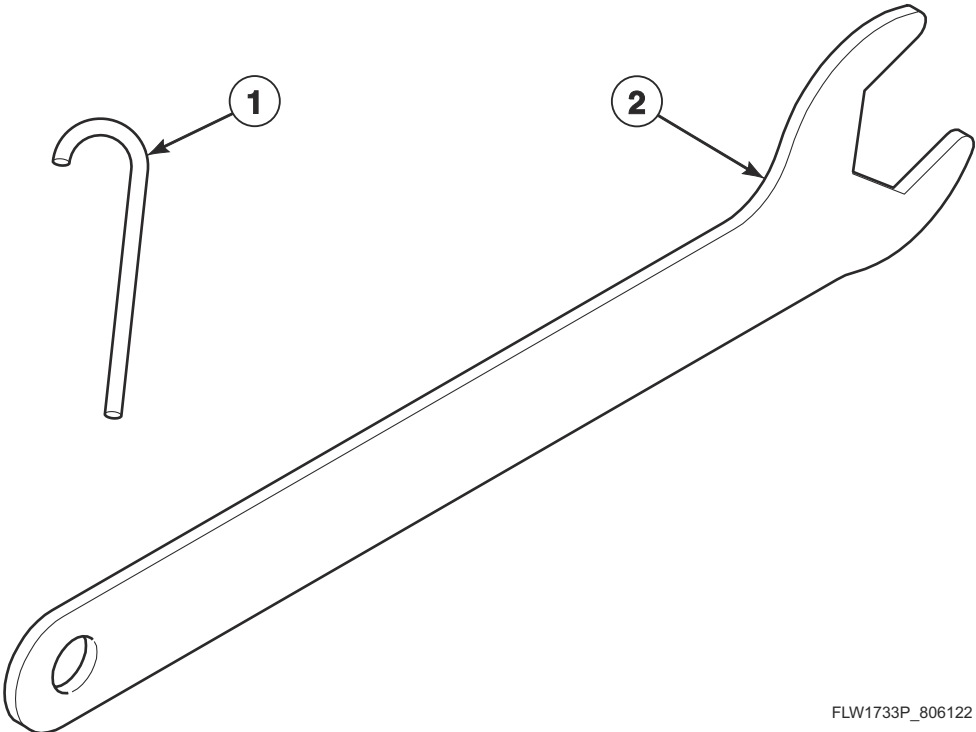
FLW1779P\_806122



# Shipping Materials

| REF | PART NO. | DESCRIPTION            | COMMENTS                                 |
|-----|----------|------------------------|--|
|     | 807550   | Label                  | Remove shipping brace; Long tongue label |
| 1   | M400043  | Screw                  |  |
| 2   | M400014  | Washer                 |  |
| 3   | 807488   | Shipping Brace         |  |
| 4   | 807452   | Shipping Bolt Assembly |  |
| 5   | 807552   | Shipping Bracket Label | Square label                             |

# Special Tools

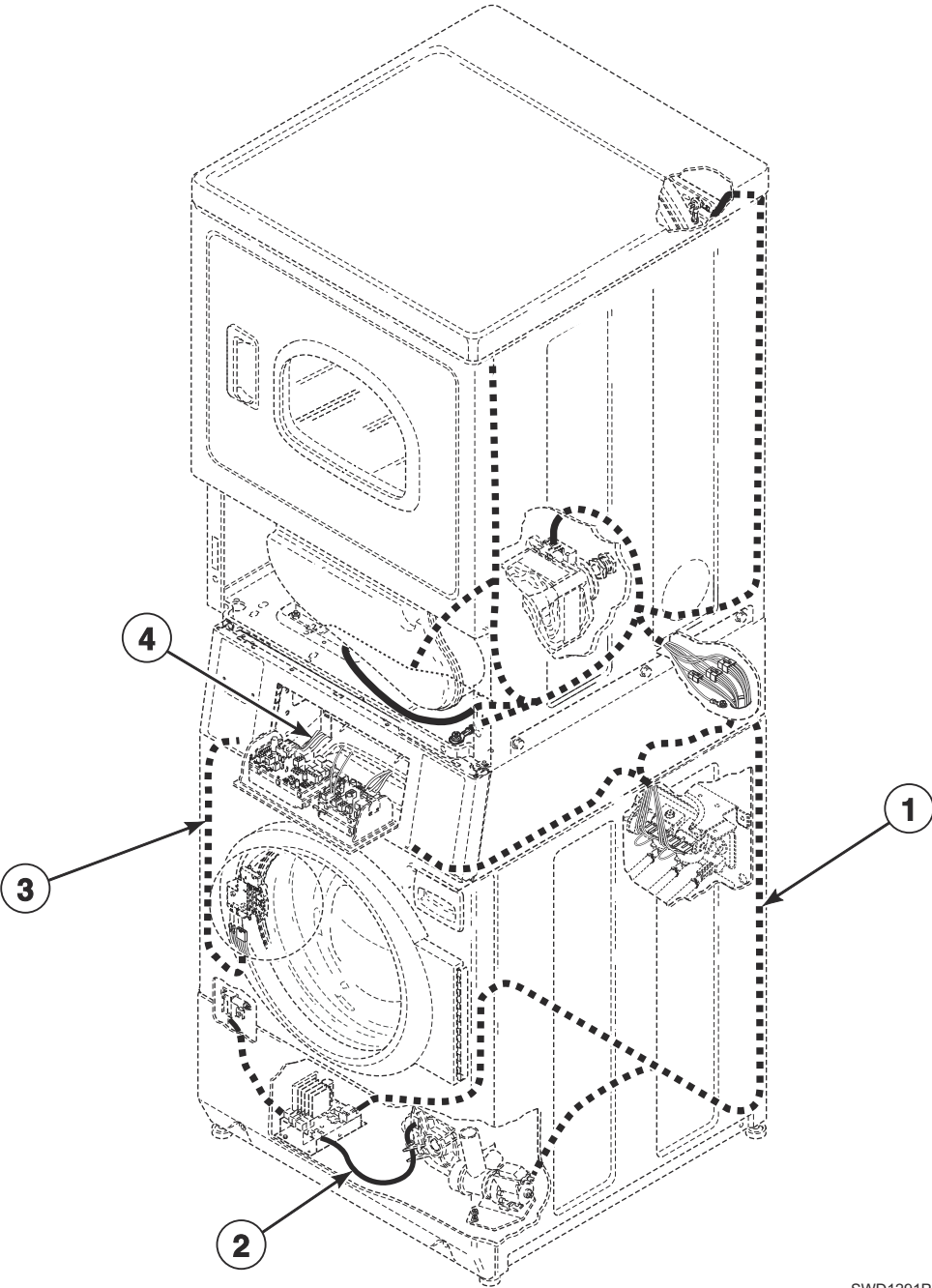


FLW1733P\_806122

# Special Tools

| REF | PART NO. | DESCRIPTION                    | COMMENTS                            |
|-----|----------|--------------------------------|-------------------------------------|
| 1   | 802336   | Pulley Bolt Tightening Fixture | Use to install inner basket         |
| 2   | 392P4    | Wrench                         | Use for adjusting leveling leg nuts |

# Washer Wire Harnesses and Wires



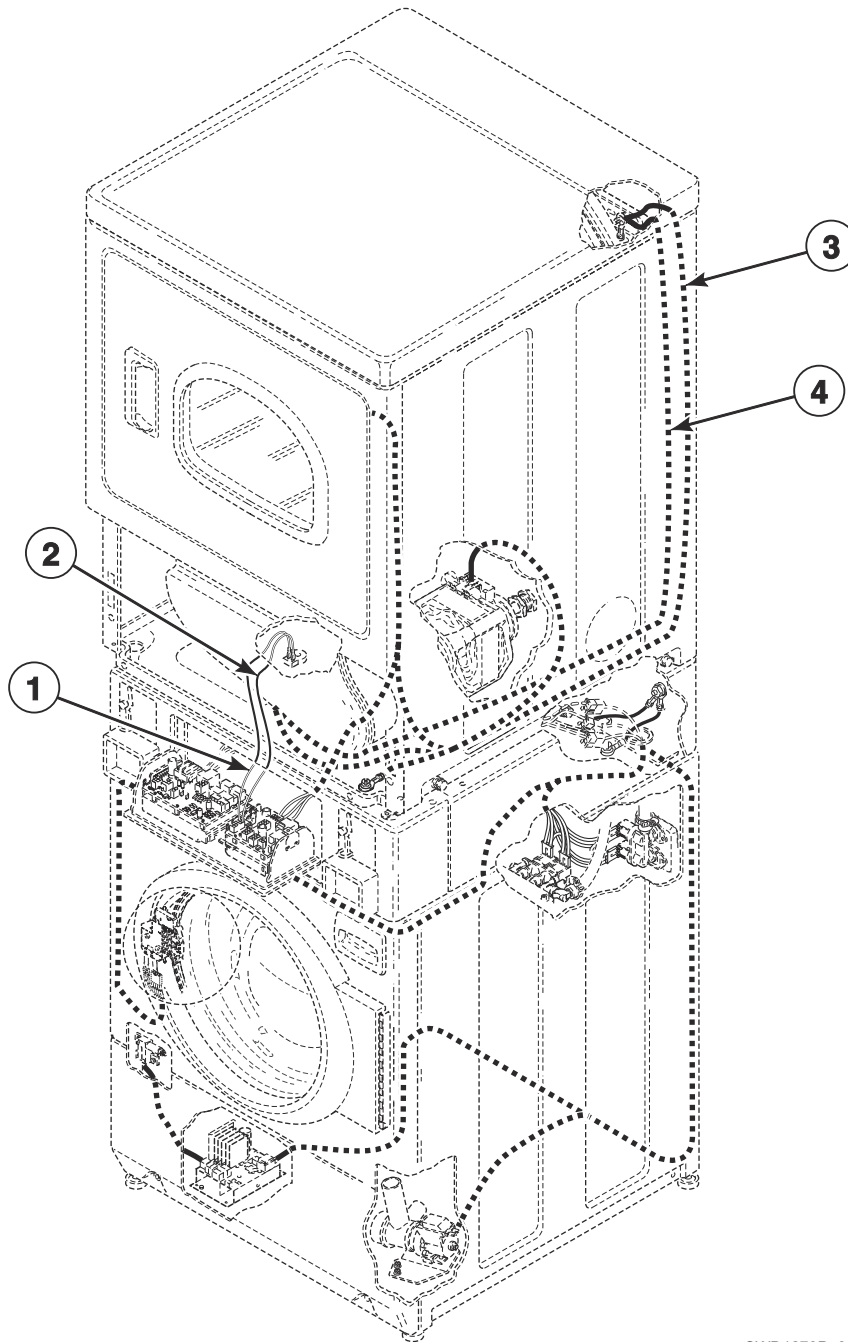
SWD1291P\_806122

## Washer Wire Harnesses and Wires

| REF | PART NO. | DESCRIPTION                | COMMENTS   |
|-----|----------|----------------------------|--|
|     | 45001    | 18 Gauge Wire              | Black; Order wire by the foot and terminals as required  |
|     | 45380    | 12 Gauge Wire              | Orange; Order wire by the foot and terminals as required |
|     | 804433   | Pressure Sensor Harness    |  |
|     | 807298   | Power Harness              | Starting Serial No. 2101000001                           |
| 1   | 806031   | Front Control Harness      | Through Serial No. 2012999999                            |
|     | 807346   | Front Control Harness      | Starting Serial No. 2101000001                           |
| 2   | 806029   | Motor Harness              | Through Serial No. 2012999999                            |
|     | 807294   | Motor Harness              | Starting Serial No. 2101000001                           |
| 3   | 806028   | Door Lock Harness Assembly | Through Serial No. 2012999999                            |
|     | 807293   | Door Lock Harness Assembly | Starting Serial No. 2101000001                           |
| 4   | D512422P | Wire Harness Assembly      |  |

**NOTE: Individual wires are not available separately. Order complete wire harness, or order wire by the foot. When applying terminals to wires, it is recommended that the terminals be soldered to the wires.**

# Dryer Wire Harnesses and Wires



SWD1279P\_806122

## Dryer Wire Harnesses and Wires

| REF      | PART NO. | DESCRIPTION                 | COMMENTS   |
|----------|----------|-----------------------------|--|
|          | 45001    | 18 Gauge Wire               | Black; Order wire by the foot and terminals as required  |
|          | 45380    | 12 Gauge Wire               | Orange; Order wire by the foot and terminals as required   |
| <b>1</b> | D512273P | Wire Configuration Assembly |  |
| <b>2</b> | D512275P | Wire Configuration Assembly |  |
| <b>3</b> | D513833  | Electronic Harness          | Models BTGBCASP113TW01, BTGBXASP113FW28, BTGBYASP113TW01, HTGBCASP113TW01, HTGBDASP093CW01, HTGBXASP093CW01, HTGBXASP113FW28, HTGBXASP123DW01, HTGBYASP093CW01, HTGBYASP113TW01, STGBCASP113TW01, STGBXASG113TW01, STGBXASP113FW28, STGBXASP113TW01, STGBXASP123DW01 and STGBYASP113TW01 |
|          | D513828  | Electronic Harness          | Models BTEBLASP433AW01, BTEBXASP173FW28, BTEBXASP433AW01, NTEBXASP303NW01, NTEBXASP303NW22, STEBCASP173TQ01, STEBXASP173FW28, STEBXASP173TQ01, STEBXASP303NW22, STEBXASP303UW01, STEBXASP433AW01, STEBXASP433AW12, STEBXASP543ZW01 and TTEBXASP303NW22                                   |
|          | D513837  | Wire Harness Assembly       | Models BTGBLASP303AW01, BTGBXASP303AW01, STGBXASP303AW01 and STGBXASP303AW12   |
|          | D513841  | Wire Harness Assembly       | Models HTGBXASP543DW01 and STGBXASP543DW01   |
|          | D514094  | Electronic Harness          | Models BTEBCASP173TW01, BTEBEASP283CW01, BTEBYASP173TW01, HTEBCASP173TW01, HTEBDASP283CW01, HTEBXASP133DW01, HTEBXASP173FW28, HTEBXASP283CW01, HTEBXASP293CW01, HTEBXASP543DW01, HTEBYASP283CW01, STEBCASP173TW01, STEBXASP133DW01, STEBXASP173TW01, STEBXASP543DW01 and STEBYASP173TW01 |
|          | D513819  | Harness                     | Models NTGBXASP303NW01, NTLBXASP303NW26, STGBXASP303NW22 and STGBXASP303ZW01   |
| <b>4</b> | 805684   | Harness                     | Main harness to dryer base; Models BTEBEASP283CW01, HTEBDASP283CW01, HTEBXASP283CW01, HTEBXASP293CW01, HTEBYASP283CW01, HTGBDASP093CW01, HTGBXASP093CW01 and HTGBYASP093CW01   |

**NOTE: Individual wires are not available separately. Order complete wire harness, or order wire by the foot. When applying terminals to wires, it is recommended that the terminals be soldered to the wires.**





# Parts Index

## A

|                             |        |
|-----------------------------|--------|
| Access Panel Assembly       |        |
| D514250WP .....             | 55     |
| 804617Q .....               | 23     |
| 804617W .....               | 23     |
| Access Panel Plate          |        |
| D510903 .....               | 75     |
| Adhesive                    |        |
| D511637P .....              | 61, 65 |
| Air Duct Assembly           |        |
| D515805LG .....             | 63     |
| D518432 .....               | 63     |
| D518433 .....               | 63     |
| Anchor                      |        |
| 155P3 .....                 | 43     |
| Anchor Floor Mount Assembly |        |
| 802844P .....               | 43     |
| Anti-Seize Compound         |        |
| 27604P .....                | 35, 57 |

## B

|                          |    |
|--------------------------|----|
| Backflow Preventer       |    |
| 800310 .....             | 41 |
| Balance Ring Assembly    |    |
| 804393 .....             | 35 |
| Base Assembly            |    |
| 803876 .....             | 43 |
| Bearing Housing Kit      |    |
| 805525 .....             | 35 |
| Blower Fan Assembly      |    |
| D510139P .....           | 57 |
| Blower Housing           |    |
| D511969LG .....          | 57 |
| D511969WP .....          | 57 |
| Blower Housing Seal      |    |
| D510238P .....           | 57 |
| Bolt                     |    |
| 29651 .....              | 15 |
| Booster and Holding Coil |    |
| 58804A .....             | 71 |
| 59063A .....             | 71 |
| Bracket                  |    |
| D510146 .....            | 75 |
| Bumper Pad               |    |
| 36226 .....              | 43 |
| 56128 .....              | 75 |
| Burner Assembly          |    |
| D510149P .....           | 71 |

## C

|                    |    |
|--------------------|----|
| Cabinet Panel Kit  |    |
| 800004QP .....     | 43 |
| 800004WP .....     | 43 |
| Cabinet Rear Panel |    |
| D514632P .....     | 75 |

|                           |    |
|---------------------------|----|
| Cabinet Side Panel        |    |
| D510001WP .....           | 75 |
| D510002WP .....           | 75 |
| Cable Connection Box      |    |
| 39922 .....               | 45 |
| Card Insert Overlay       |    |
| D514391 .....             | 21 |
| Caution Label             |    |
| 801706 .....              | 85 |
| Central Pay Harness       |    |
| 805427 .....              | 7  |
| Central Pay Kit           |    |
| 807174 .....              | 7  |
| Clamp Ring                |    |
| 803802 .....              | 33 |
| Clip                      |    |
| 201572 .....              | 19 |
| Clothes Guard Deflector   |    |
| 804467 .....              | 33 |
| 805548 .....              | 33 |
| Coin Drop                 |    |
| 38963P .....              | 17 |
| 70441601P .....           | 17 |
| Coin Drop Assembly        |    |
| CK114 .....               | 17 |
| 38462P .....              | 17 |
| 38463 .....               | 17 |
| 38464P .....              | 17 |
| 38467 .....               | 17 |
| 38472 .....               | 17 |
| 38519 .....               | 17 |
| 38521 .....               | 17 |
| 70441602 .....            | 17 |
| 70482401 .....            | 17 |
| Coin Drop Wire Harness    |    |
| 201104 .....              | 19 |
| Coin Identification Paper |    |
| 38725 .....               | 19 |
| Combustion Duct           |    |
| D510131 .....             | 69 |
| D510132 .....             | 69 |
| Compartment Cover         |    |
| 803670 .....              | 27 |
| Connector, 2 Circuit      |    |
| 58799 .....               | 81 |
| Connector, 3 Circuit      |    |
| 58800 .....               | 81 |
| Contacto Bracket          |    |
| D511859 .....             | 75 |
| Control Assembly          |    |
| D511867P .....            | 9  |
| D514273P .....            | 9  |
| 806267P .....             | 9  |
| 806268P .....             | 9  |
| 807458 .....              | 9  |
| 807459 .....              | 9  |
| Control Bracket           |    |
| 807441 .....              | 37 |
| Control Panel             |    |
| 803964Q .....             | 15 |
| 803964W .....             | 15 |
| 803968W .....             | 21 |

N/A items do not appear in index.

|                         |        |
|-------------------------|--------|
| 803972W.....            | 21     |
| Control Panel Assembly  |        |
| 804069B.....            | 7      |
| 804069DG.....           | 7      |
| 804069W.....            | 7      |
| Control Shield          |        |
| 804363.....             | 11     |
| Counterweight           |        |
| 803810.....             | 33     |
| 807476.....             | 33     |
| Cylinder Assembly       |        |
| D510265WP.....          | 61     |
| Cylinder Baffle         |        |
| D510102W.....           | 61     |
| Cylinder Belt           |        |
| D511255P.....           | 57     |
| Cylinder Glide          |        |
| D513710.....            | 61     |
| Cylinder Glide Bracket  |        |
| D510145.....            | 61     |
| Cylinder Roller         |        |
| D510708P.....           | 65     |
| Cylinder Roller Bracket |        |
| D510100.....            | 65     |
| Cylinder Seal Assembly  |        |
| D510207P.....           | 61, 65 |

## D

|                                |            |
|--------------------------------|------------|
| Damper                         |            |
| 58786.....                     | 75         |
| Detergent Hose                 |            |
| 804717.....                    | 27         |
| Directional Exhaust Kit        |            |
| 528P3.....                     | 75         |
| Disconnect Power Warning Label |            |
| D505281.....                   | 83, 85     |
| Dispenser Assembly             |            |
| 803698.....                    | 27         |
| Dispenser Drawer               |            |
| 803667.....                    | 27         |
| Dispenser Handle               |            |
| 804227WP.....                  | 27         |
| Dispenser Inlet Hose           |            |
| 803849.....                    | 27, 29     |
| 806718.....                    | 27, 29     |
| 807364.....                    | 27, 29     |
| Dispenser Plate                |            |
| 803843.....                    | 27         |
| Door Assembly                  |            |
| D516737W.....                  | 49, 51, 53 |
| 804083WP.....                  | 23         |
| 804210P.....                   | 23         |
| Door Catch Assembly            |            |
| D510177.....                   | 55         |
| 802803.....                    | 23         |
| Door Glass                     |            |
| 802695P.....                   | 23         |
| Door Glass Mounting Plate      |            |
| 804239.....                    | 23         |
| Door Handle Wedge              |            |
| D510129W.....                  | 49, 51, 53 |

|                            |            |
|----------------------------|------------|
| Door Hinge                 |            |
| 802934.....                | 23         |
| Door Latch Assembly        |            |
| 803920.....                | 23         |
| Door Liner Grill           |            |
| D503870LG.....             | 49, 51     |
| D503870W.....              | 49, 51, 53 |
| Door Lock Drip Shield      |            |
| 804784.....                | 23         |
| Door Lock Harness Assembly |            |
| 806028.....                | 91         |
| 807293.....                | 91         |
| Door Pull and Wedge Kit    |            |
| D510103WP.....             | 49, 51, 53 |
| Door Seal                  |            |
| 804428P.....               | 23         |
| Door Seal Assembly         |            |
| 804429P.....               | 23         |
| Door Strike                |            |
| D510181.....               | 49, 51, 53 |
| Door Strike Mount          |            |
| D510127.....               | 49, 51, 53 |
| Drain Base Bracket         |            |
| 803814.....                | 41         |
| Drain Hose                 |            |
| 27154.....                 | 41         |
| Drain Hose Bracket         |            |
| 803828.....                | 43         |
| Drain Hose Elbow           |            |
| 35766.....                 | 41         |
| Drain Pump Assembly        |            |
| 803922.....                | 41         |
| 805724P.....               | 41         |
| 805772P.....               | 41         |
| Drain Pump Drip Shield     |            |
| 805561.....                | 41         |
| Drain Pump Isolator        |            |
| 803815.....                | 41         |
| Drain Valve                |            |
| 803293P.....               | 39         |
| Drain Valve Kit            |            |
| F975P3.....                | 39         |
| Drain-to-Cabinet Hose      |            |
| 800903.....                | 39         |
| Drip Shield                |            |
| D514327.....               | 55         |
| Drive Belt                 |            |
| 804985.....                | 37         |
| Dryer Base                 |            |
| D514245.....               | 75         |
| Dryer Door                 |            |
| D510082WP.....             | 51, 53     |
| D515961W.....              | 49, 51     |
| Dryer Door Window          |            |
| D503982P.....              | 49, 51, 53 |
| D515681.....               | 49, 51     |
| Dual Coin Harness Assembly |            |
| 202871.....                | 17, 19     |
| Dual Overlay               |            |
| 39073.....                 | 15         |

N/A items do not appear in index.

---

**E**

|                               |        |
|-------------------------------|--------|
| Elbow Shut-Off Valve          |        |
| D510205 .....                 | 71     |
| Electric Clearance Label      |        |
| D511005 .....                 | 83     |
| Electrical Shock Label        |        |
| F8211201 .....                | 83, 85 |
| Electronic Coin Drop Assembly |        |
| 70294104 .....                | 19     |
| 70294106 .....                | 19     |
| 70294107 .....                | 19     |
| 70294110 .....                | 19     |
| 70294111 .....                | 19     |
| 70294117 .....                | 19     |
| 70294120 .....                | 19     |
| 70294121 .....                | 19     |
| 70294122 .....                | 19     |
| 70513302 .....                | 19     |
| 70513311 .....                | 19     |
| Electronic Coin Drop Kit      |        |
| CK099 .....                   | 19     |
| CK100 .....                   | 19     |
| CK101 .....                   | 19     |
| CK103 .....                   | 19     |
| CK108 .....                   | 19     |
| CK109 .....                   | 19     |
| CK110 .....                   | 19     |
| CK113 .....                   | 19     |
| CK115 .....                   | 19     |
| CK116 .....                   | 19     |
| CK117 .....                   | 19     |
| CK118 .....                   | 19     |
| CK120 .....                   | 19     |
| CK121 .....                   | 19     |
| Electronic Harness            |        |
| D513828 .....                 | 93     |
| D513833 .....                 | 93     |
| D514094 .....                 | 93     |
| Exhaust Duct                  |        |
| D516196 .....                 | 75     |
| Exhaust Warning Label         |        |
| D500497 .....                 | 83     |
| D502507 .....                 | 83     |
| Expansion Clip                |        |
| 70030501 .....                | 15, 21 |
| Extractor Tool                |        |
| 128P4 .....                   | 79     |
| 190P4 .....                   | 79     |

---

**F**

|                           |        |
|---------------------------|--------|
| Felt Pad                  |        |
| D510189 .....             | 61     |
| Female Piggyback Terminal |        |
| 00361 .....               | 81     |
| Female Pin Terminal       |        |
| 00117 .....               | 81     |
| Female Spade Terminal     |        |
| 00189 .....               | 81     |
| Female Terminal           |        |
| 00188 .....               | 79     |
| 00255 .....               | 79     |
| 00256 .....               | 79, 81 |

|                          |    |
|--------------------------|----|
| Fill Hose                |    |
| F8498701 .....           | 31 |
| 202799 .....             | 31 |
| 202800 .....             | 31 |
| 202931 .....             | 31 |
| 20617 .....              | 31 |
| 20618 .....              | 31 |
| Filter Harness           |    |
| 804797 .....             | 13 |
| Filter Jumper Harness    |    |
| 804805 .....             | 45 |
| Flexible Venting Kit     |    |
| 521P3 .....              | 75 |
| Foam Pad                 |    |
| 804875 .....             | 27 |
| Foreign Object Deflector |    |
| 806308 .....             | 33 |
| 806313 .....             | 33 |
| 806361 .....             | 33 |
| Front Bulkhead Assembly  |    |
| D510266P .....           | 61 |
| Front Control Harness    |    |
| 806031 .....             | 91 |
| 807346 .....             | 91 |
| Front Panel              |    |
| D510066WP .....          | 55 |
| 802277QP .....           | 23 |
| 802277WP .....           | 23 |
| Front Panel Assembly Kit |    |
| 806505W .....            | 25 |
| Front Panel Seal         |    |
| D511056 .....            | 55 |
| Fuse Notice Label        |    |
| 61294 .....              | 63 |

---

**G**

|                            |    |
|----------------------------|----|
| Gas Clearance Label        |    |
| D511004 .....              | 83 |
| Gas Label                  |    |
| D505215 .....              | 83 |
| Gas Valve Assembly         |    |
| D510506P .....             | 71 |
| D515490 .....              | 71 |
| 60353P .....               | 71 |
| Gas Valve Mounting Bracket |    |
| D510128 .....              | 71 |
| Gasket                     |    |
| 802427 .....               | 41 |
| Glass Mounting Clip        |    |
| 802700 .....               | 23 |
| Glide Kit                  |    |
| RB170003 .....             | 61 |
| Gravity Drain Bracket      |    |
| 803291 .....               | 39 |
| Grommet                    |    |
| 29175 .....                | 33 |

---

**H**

|               |    |
|---------------|----|
| Harness       |    |
| D513819 ..... | 93 |

N/A items do not appear in index.

|                      |            |
|----------------------|------------|
| 805684 .....         | 93         |
| Harness Strap        |            |
| 55881 .....          | 47, 81     |
| Heat Duct Shroud     |            |
| D510101 .....        | 69         |
| Heater Assembly      |            |
| D510324P .....       | 67         |
| D510326P .....       | 67         |
| D510327P .....       | 67         |
| D510329P .....       | 67         |
| D510330P .....       | 67         |
| Heater Duct Assembly |            |
| D510025P .....       | 67, 69     |
| Heater Kit           |            |
| 964P3 .....          | 67         |
| 965P3 .....          | 67         |
| Heater Kit Assembly  |            |
| 61927 .....          | 67         |
| 61928 .....          | 67         |
| 61929 .....          | 67         |
| 61930 .....          | 67         |
| Hinge                |            |
| D511036 .....        | 49, 51, 53 |
| Hinge Hole Plug      |            |
| D510186 .....        | 55         |
| Hinge Plate          |            |
| 802206 .....         | 23         |
| Hose and Washers Kit |            |
| 203675 .....         | 31         |
| 203676 .....         | 31         |
| Hose Clamp           |            |
| F200204 .....        | 41         |
| 20211 .....          | 41         |
| 20391 .....          | 41         |
| 685725 .....         | 27, 39     |
| 802281 .....         | 23         |
| 803891 .....         | 33         |
| 807386 .....         | 27, 29     |
| Hose Clip            |            |
| 36985 .....          | 33, 47     |
| 800553 .....         | 33         |
| Housing, 10 Position |            |
| D500338 .....        | 79         |

---

## I

|                                  |    |
|----------------------------------|----|
| Idler Lever                      |    |
| D516310 .....                    | 59 |
| Idler Lever and Wheel Assembly   |    |
| D516792 .....                    | 59 |
| Idler Spring                     |    |
| D510185 .....                    | 59 |
| Idler Wheel and Bearing Assembly |    |
| D510142P .....                   | 59 |
| Igniter and Bracket Assembly     |    |
| D510184P .....                   | 71 |
| Inner Basket Assembly            |    |
| 804374P .....                    | 35 |
| 805485 .....                     | 35 |
| Inner Basket Assembly Kit        |    |
| 804376P .....                    | 35 |
| Inner Door Bezel                 |    |
| 804562P .....                    | 23 |

|                                |    |
|--------------------------------|----|
| Inner Door Bezel Kit           |    |
| 802307P .....                  | 23 |
| 802331P .....                  | 23 |
| Insulated Female Flag Terminal |    |
| 00221 .....                    | 81 |
| Inverter Control Assembly      |    |
| 807175P .....                  | 37 |

---

## J

|                    |    |
|--------------------|----|
| Junction Box       |    |
| 803818 .....       | 45 |
| 803819 .....       | 45 |
| Junction Box Cover |    |
| 803820 .....       | 45 |
| Junction Box Seal  |    |
| 803832P .....      | 45 |

---

## K

|             |   |
|-------------|---|
| Key         |   |
| 54612 ..... | 7 |

---

## L

|                         |    |
|-------------------------|----|
| Label                   |    |
| D503887 .....           | 83 |
| 807550 .....            | 87 |
| Lead-In Cord            |    |
| D512019 .....           | 77 |
| D515312 .....           | 77 |
| 202777 .....            | 47 |
| 39926 .....             | 45 |
| 59308 .....             | 77 |
| 59373 .....             | 77 |
| Lead-In Cord Assembly   |    |
| D514222 .....           | 77 |
| D514289 .....           | 77 |
| D516747 .....           | 77 |
| 804556 .....            | 45 |
| Lead-In Cord Kit        |    |
| 61605P .....            | 77 |
| Lead-In Pipe Assembly   |    |
| D510204 .....           | 71 |
| Left Hand Thread Label  |    |
| 685928 .....            | 85 |
| Left Hand Thread Labell |    |
| 804949 .....            | 85 |
| Leveling Leg            |    |
| D510135 .....           | 75 |
| 34319 .....             | 43 |
| Lid Assembly            |    |
| 802426P .....           | 41 |
| Lifter                  |    |
| 804382 .....            | 35 |
| Limit Thermostat        |    |
| D510701 .....           | 67 |
| D510702 .....           | 69 |
| Line Filter             |    |
| 805633 .....            | 13 |

N/A items do not appear in index.

|                         |            |
|-------------------------|------------|
| Liner and Seal Assembly |            |
| D516509 .....           | 49, 51, 53 |
| Liner Door Seal         |            |
| D510147P .....          | 49, 51, 53 |
| D515709 .....           | 49, 51     |
| Lint Filter             |            |
| D503980LG .....         | 63         |
| D503980W .....          | 63         |
| Lint Filter Label       |            |
| D502781 .....           | 83         |
| D502804 .....           | 55         |
| Lock Assembly           |            |
| 804339P .....           | 7          |
| Lock Cam                |            |
| 804338 .....            | 7          |
| L.P. Conversion Kit     |            |
| 458P3 .....             | 71         |
| 600P3 .....             | 71         |
| L.P. Orifice            |            |
| D503786 .....           | 73         |
| 58755 .....             | 73         |

## M

|                             |    |
|-----------------------------|----|
| Machine ID Control Assembly |    |
| 203361P .....               | 7  |
| Male Pin Terminal           |    |
| 00116 .....                 | 81 |
| Manual Reset Thermostat     |    |
| M411941 .....               | 59 |
| Membrane Switch             |    |
| D510036P .....              | 9  |
| Meter Case Assembly         |    |
| 804009Q .....               | 15 |
| 807396W .....               | 15 |
| Mixing Valve                |    |
| 806509P .....               | 29 |
| 806612P .....               | 29 |
| Mixing Valve Screen         |    |
| 24122 .....                 | 29 |
| Mixing Valve Shield         |    |
| 804783 .....                | 29 |
| Motor and Pulley Assembly   |    |
| D505843P .....              | 57 |
| D505869P .....              | 57 |
| D511629P .....              | 57 |
| Motor and Rod Assembly Kit  |    |
| 805726P .....               | 37 |
| 808067P .....               | 37 |
| Motor Control Shield        |    |
| 804878 .....                | 37 |
| 806258 .....                | 37 |
| 806498 .....                | 37 |
| Motor Harness               |    |
| 806029 .....                | 91 |
| 807294 .....                | 91 |
| Motor Hub Ring Kit          |    |
| 590P3 .....                 | 57 |
| Motor Mount                 |    |
| D510060 .....               | 59 |
| Motor Mount Clamp           |    |
| D510180 .....               | 57 |

|                   |    |
|-------------------|----|
| Motor Pulley      |    |
| D500011 .....     | 57 |
| D500222 .....     | 57 |
| Motor Rod         |    |
| 803861 .....      | 37 |
| 807739 .....      | 37 |
| Motor Shield      |    |
| D514602 .....     | 59 |
| Mounting Tool Kit |    |
| CK096 .....       | 19 |

## N

|                        |        |
|------------------------|--------|
| Natural/L.P. Gas Label |        |
| D500240 .....          | 83     |
| Notice Label           |        |
| 803011 .....           | 85     |
| Nut                    |        |
| F430218 .....          | 33     |
| 03673 .....            | 47     |
| 201216 .....           | 19     |
| 21899 .....            | 43     |
| 23951 .....            | 23     |
| 29786 .....            | 17, 39 |
| 36020 .....            | 23     |
| 44071201 .....         | 49, 51 |
| 44087201 .....         | 15     |
| 52566 .....            | 59     |
| 56156 .....            | 59, 65 |
| 685846 .....           | 23     |
| 800452 .....           | 33, 35 |
| 802343 .....           | 33     |
| 804418 .....           | 35     |
| N.G. Conversion Kit    |        |
| 459P3 .....            | 71     |
| N.G. Orifice           |        |
| D503776 .....          | 73     |
| D503778 .....          | 73     |
| D503779 .....          | 73     |
| D503780 .....          | 73     |
| D510517 .....          | 73     |

## O

|                                |        |
|--------------------------------|--------|
| Operation Instructions         |        |
| 805667 .....                   | 21     |
| O-Ring                         |        |
| 802429P .....                  | 41     |
| Outer Door Bezel               |        |
| 803710WP .....                 | 23     |
| 803711P .....                  | 23     |
| Outer Tub Assembly             |        |
| 803864 .....                   | 33     |
| Outlet Cover                   |        |
| D500820 .....                  | 67, 69 |
| D518524 .....                  | 67     |
| Out-of-Balance Switch Assembly |        |
| 803415 .....                   | 33     |
| 807384 .....                   | 33     |
| Out-of-Balance Switch Bracket  |        |
| 804457 .....                   | 33     |
| 807280 .....                   | 33     |

N/A items do not appear in index.

|                         |    |
|-------------------------|----|
| Output Control Assembly |    |
| 807240 .....            | 37 |
| 807243 .....            | 37 |
| Overlay                 |    |
| D514873 .....           | 21 |
| 201091 .....            | 15 |
| 805032 .....            | 7  |
| 805396 .....            | 7  |
| 805397 .....            | 7  |
| 805398 .....            | 7  |
| 805400 .....            | 7  |
| 806189 .....            | 7  |
| Overlay Kit             |    |
| 38676 .....             | 15 |
| Oversuding Label        |    |
| 802074 .....            | 85 |
| 802838 .....            | 85 |
| 802839 .....            | 85 |

## P

|                                |                |
|--------------------------------|----------------|
| Panel Locator                  |                |
| 56079 .....                    | 23, 43, 55, 75 |
| Payment Center Kit             |                |
| 205067 .....                   | 11             |
| 205068 .....                   | 11             |
| 205069 .....                   | 11             |
| 205070 .....                   | 11             |
| Pinch Warning Label            |                |
| F8615701 .....                 | 83, 85         |
| Plug                           |                |
| 23040 .....                    | 81             |
| Plug, 9 Circuit                |                |
| 23033 .....                    | 81             |
| Pop Rivet                      |                |
| 685847 .....                   | 33             |
| Porcelain Touch-Up Paint       |                |
| 122P4P .....                   | 43, 75         |
| Power Cord Assembly            |                |
| 39931 .....                    | 45             |
| 58992 .....                    | 77             |
| 801450 .....                   | 45             |
| 802012 .....                   | 45             |
| Power Harness                  |                |
| 807298 .....                   | 91             |
| Pressure Bulb                  |                |
| 803837 .....                   | 33             |
| Pressure Sensor                |                |
| 203843 .....                   | 43             |
| Pressure Sensor Harness        |                |
| 804433 .....                   | 91             |
| Pressure Sensor Tube Assembly  |                |
| 804483 .....                   | 33             |
| Pulley Assembly                |                |
| 803974 .....                   | 35             |
| Pulley Bolt Tightening Fixture |                |
| 802336 .....                   | 89             |
| Pump Housing                   |                |
| 802428 .....                   | 41             |
| Pump Housing Assembly          |                |
| 802434P .....                  | 41             |
| Pump-to-Elbow Hose             |                |
| 803734 .....                   | 41             |

## R

|                         |        |
|-------------------------|--------|
| Read Instructions Label |        |
| D513371 .....           | 85     |
| Rear Access Panel       |        |
| 803998 .....            | 15, 21 |
| Rear Bulkhead Assembly  |        |
| D510905WP .....         | 65     |
| D511082P .....          | 65     |
| Rear Panel              |        |
| 803789 .....            | 43     |
| 803790 .....            | 43     |
| Receptacle, 2 Circuit   |        |
| D501223 .....           | 81     |
| Receptacle, 3 Circuit   |        |
| 23039 .....             | 81     |
| 36170 .....             | 81     |
| Receptacle, 6 Circuit   |        |
| 26708 .....             | 81     |
| Resistor                |        |
| 210100 .....            | 7      |
| Retaining Ring          |        |
| 23748 .....             | 59, 65 |
| Roller Kit              |        |
| RB170002 .....          | 65     |
| Rubber Foot             |        |
| D501855 .....           | 43     |
| 34318 .....             | 43     |

## S

|                |  |
|----------------|--|
| Screw          |  |
| D500226 .....  | 51, 53                                     |
| D500824 .....  | 59   |
| D501086 .....  | 13   |
| D501285 .....  | 63, 65                                     |
| D501524 .....  | 37   |
| D502535 .....  | 59   |
| D503661 .....  | 7, 13, 23, 37, 39, 41, 43, 45              |
| D503688 .....  | 11, 15, 21, 55, 57, 61, 65, 67, 69, 71, 75 |
| D505295 .....  | 49, 51, 53                                 |
| D505870 .....  | 49, 51, 53                                 |
| D515597 .....  | 49, 51                                     |
| D515967 .....  | 49, 51                                     |
| F8206901 ..... | 37   |
| M400043 .....  | 35, 87                                     |
| M400057 .....  | 37   |
| 02916 .....    | 37, 39                                     |
| 20530 .....    | 47, 77                                     |
| 23222 .....    | 67, 71                                     |
| 31260 .....    | 57, 59                                     |
| 33562 .....    | 55   |
| 36048 .....    | 75   |
| 39733 .....    | 23, 43, 55, 75                             |
| 51782 .....    | 69, 71                                     |
| 52864 .....    | 63   |
| 52909 .....    | 41   |
| 56124 .....    | 71   |
| 61199 .....    | 65   |
| 62588 .....    | 61   |
| 685831 .....   | 35   |
| 70240301 ..... | 15, 21                                     |
| 800461 .....   | 33   |
| 800462 .....   | 33   |

N/A items do not appear in index.

|                              |            |
|------------------------------|------------|
| 800548                       | 23, 27, 35 |
| 801001                       | 27         |
| 801019                       | 23         |
| 801045                       | 23         |
| 801993                       | 23         |
| 802431                       | 41         |
| 802596                       | 33         |
| 804399                       | 35         |
| 804608                       | 7          |
| 804699                       | 35         |
| Screw Orifice                |            |
| 58719                        | 73         |
| Seal Kit                     |            |
| RB170001                     | 61, 65     |
| Sealant                      |            |
| 27615P                       | 41         |
| Secondary Coil               |            |
| 58804B                       | 71         |
| 59063B                       | 71         |
| Sensor                       |            |
| D510213                      | 71         |
| Shaft                        |            |
| 56461P                       | 59, 65     |
| Shield Bracket               |            |
| 804018                       | 11         |
| Shipping Bolt Assembly       |            |
| 807452                       | 87         |
| Shipping Brace               |            |
| 807488                       | 87         |
| Shipping Bracket Label       |            |
| 807552                       | 87         |
| Shipping Plate               |            |
| 803851                       | 43         |
| Shipping Plug                |            |
| 803859                       | 43         |
| Shock Assembly               |            |
| 803777P                      | 33         |
| Side Panel Kit               |            |
| 800005QP                     | 43         |
| 806492                       | 43         |
| Single Coin Harness Assembly |            |
| 202870                       | 17         |
| Single Overlay               |            |
| 38717                        | 15         |
| Snap Bushing                 |            |
| D503235                      | 39         |
| M402542                      | 13         |
| Speed Clip                   |            |
| 28835                        | 55         |
| Standpipe Strap              |            |
| 33489                        | 41         |
| Strain Relief                |            |
| D502500                      | 77         |
| 38384                        | 45, 47, 77 |
| 52113                        | 77         |
| 60298                        | 77         |
| Strain Relief Adapter        |            |
| D502496                      | 77         |
| Strain Relief Connector      |            |
| D511628                      | 77         |
| Switch                       |            |
| D512973                      | 7, 15, 55  |

## T

|                            |       |
|----------------------------|-------|
| Terminal                   |       |
| 00252                      | 81    |
| Terminal Block Assembly    |       |
| D510190P                   | 65    |
| 803988                     | 13    |
| Terminal Block Drip Shield |       |
| 805344                     | 13    |
| Terminal Block Shield      |       |
| D510237                    | 65    |
| D514330                    | 65    |
| Terminal Extractor Tool    |       |
| 283P4                      | 79    |
| Thermal Fuse Assembly      |       |
| D518542                    | 67    |
| Thermistor Assembly        |       |
| D502366                    | 59    |
| D510523                    | 59    |
| Thermostat                 |       |
| D510703                    | 69    |
| Thermostat Shield          |       |
| D514325                    | 59    |
| Top Hinge                  |       |
| D510136                    | 75    |
| Top Kit                    |       |
| D510032WP                  | 75    |
| Transformer                |       |
| 201375P                    | 7, 19 |
| 202757                     | 7     |
| 202758                     | 7     |
| 803527P                    | 7     |
| Transformer Harness        |       |
| 804795                     | 7     |
| 805428                     | 7     |
| Transformer Kit            |       |
| D511658P                   | 75    |
| 203423                     | 7     |
| 203424                     | 7     |
| Trunnion Kit               |       |
| 806831                     | 35    |
| Trunnion Shaft Kit         |       |
| 808043P                    | 35    |
| Tub Front                  |       |
| 803770                     | 33    |
| Tub Front Assembly         |       |
| 803879                     | 33    |
| Tub Front Seal             |       |
| 803801                     | 33    |
| Tub-to-Gravity Drain Hose  |       |
| 803874                     | 39    |
| Tub-to-Pump Hose           |       |
| 803829                     | 41    |

## V

|                           |    |
|---------------------------|----|
| Valve Assembly            |    |
| 60443P                    | 71 |
| Venting Instruction Label |    |
| D502791                   | 83 |

N/A items do not appear in index.

---

**W**

|                             |            |
|-----------------------------|------------|
| Warning Label               |            |
| D500049 .....               | 33, 83, 85 |
| D500314 .....               | 85         |
| D500316 .....               | 83, 85     |
| D502508 .....               | 83         |
| D512263 .....               | 55, 83     |
| D516243 .....               | 83         |
| 44324001 .....              | 83         |
| 802367 .....                | 85         |
| 803260 .....                | 83, 85     |
| 806591 .....                | 85         |
| Warning/Caution Label       |            |
| D500281 .....               | 55, 83     |
| Washer                      |            |
| D504082 .....               | 65         |
| M400014 .....               | 87         |
| M400017 .....               | 39         |
| M400080 .....               | 37         |
| M400081 .....               | 33         |
| M403958 .....               | 35         |
| 02834 .....                 | 37         |
| 03815 .....                 | 47         |
| 20290 .....                 | 31         |
| 26509 .....                 | 75         |
| 52549 .....                 | 59, 65     |
| 800457 .....                | 35         |
| 802254 .....                | 31         |
| 803615 .....                | 31         |
| 804458 .....                | 33         |
| 807679 .....                | 35         |
| Water Hose                  |            |
| F200116 .....               | 31         |
| Window Clip                 |            |
| D513958 .....               | 49, 51     |
| Window Trim                 |            |
| D503981W .....              | 51, 53     |
| D512633 .....               | 53         |
| D515956W .....              | 49, 51     |
| Wire Assembly               |            |
| D518255 .....               | 67         |
| D518256 .....               | 67         |
| Wire Clip                   |            |
| D504034 .....               | 47         |
| 687500 .....                | 47         |
| Wire Configuration Assembly |            |
| D512273P .....              | 93         |
| D512275P .....              | 93         |
| Wire Guard                  |            |
| 201595P .....               | 17         |
| Wire Harness Assembly       |            |
| D511303 .....               | 75         |
| D512422P .....              | 91         |
| D513837 .....               | 93         |
| D513841 .....               | 93         |
| Wire Ring and Spring        |            |
| 806466 .....                | 23         |
| Wire Tie                    |            |
| 38663 .....                 | 47         |
| Wire, 12 Gauge              |            |
| 45380 .....                 | 91, 93     |
| Wire, 18 Gauge              |            |
| 45001 .....                 | 91, 93     |

|                         |    |
|-------------------------|----|
| Wiring Harness Assembly |    |
| 202868 .....            | 7  |
| Wrapper Assembly        |    |
| 804104Q .....           | 15 |
| 804104W .....           | 15 |
| 804112W .....           | 21 |
| Wrench                  |    |
| 392P4 .....             | 89 |

---

N/A items do not appear in index.