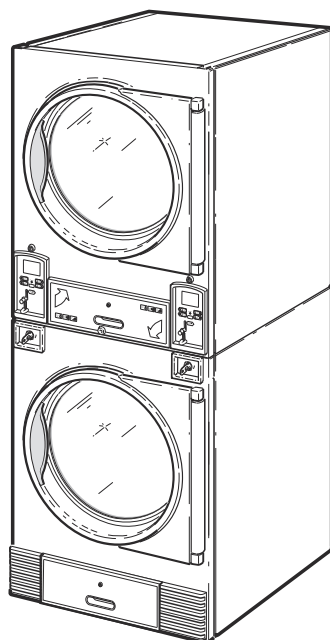


# Drying Tumblers

Stacked 45 Pound Capacity  
15 Digit Model Numbers with 2 in 12th Position  
Refer to Page 5 for Model Numbers



T477C\_70573401



# Table of Contents

Title	Page
Parts Ordering Information.....	3
Serial Plate Location .....	3
Model Identification .....	5
Product Overview - Heat Source and Voltage .....	6
Product Overview - Control Suffixes (Drawing 1 of 3).....	8
Product Overview - Control Suffixes (Drawing 2 of 3).....	10
Product Overview - Control Suffixes (Drawing 3 of 3).....	12
Dual Digital Timer Components .....	14
DX4 Control Components .....	16
Coin Drop Components for MDC Models.....	18
Card Reader Components for MDC Models .....	20
Coin Drops .....	22
Coin Drop Kits .....	24
Electronic Coin Drop Components.....	26
Card Reader Components for Micro Models.....	28
Coin Drop Components for NetMaster Models .....	30
Card Reader Components for NetMaster Models.....	32
Network Board for NetMaster Models .....	34
Coin Drop Components for Quantum Models.....	36
Card Reader Components for Quantum Models .....	38
Network Board .....	40
Communication Board .....	42
Coin Drop Components for Galaxy 600 Models .....	44
Card Reader Components for Galaxy 600 Models .....	46
LED OPL Control .....	48
Door Assemblies.....	50
Door Ring and Handle .....	52
Door Components.....	54
Door Hinge Components .....	56
Upper Front Panel Assemblies and False Fronts .....	58
Lower Front Panel Assemblies .....	60
Upper Cabinet Front Components (Drawing 1 of 2).....	62
Upper Cabinet Front Components (Drawing 2 of 2).....	64
Lower Cabinet Front Components .....	66
Emergency Stop Button for CE Models .....	68
Lint Drawer Components .....	70
Lint Drawer Overlays .....	72
Cylinder and Trunnion Components .....	74
Bearing Components .....	76
Cabinet Components .....	78
Touch-Up Paint .....	80

© Copyright 2020, Alliance Laundry Systems LLC

All rights reserved. No part of the contents of this book may be reproduced or transmitted in any form or by any means without the expressed written consent of the publisher.

Drive Motor Components .....	82
Drive Motors and Motor Capacitors .....	84
Exhaust Components.....	86
Blower Components.....	88
Moisture Sensing Components.....	90
Gas Burner Housing and Secondary Stove Limit .....	92
Airflow Switch.....	94
Gas Valve and Piping - All Non-CE and Non-Australian Gas Models and CE and Australian Models Starting 1/1/14.....	96
Burner Orifices - Non-CE and Non-Australian Gas Models .....	98
Gas Valve and Piping - CE and Australian Gas Models Through 12/31/13.....	100
Control Tray Harness.....	102
Control Tray Components - Non-CE and Non-Australian Models (Drawing 1 of 2).....	104
Control Tray Components - Non-CE and Non-Australian Models (Drawing 2 of 2).....	106
Control Tray Components - CE and Australian Models (Drawing 1 of 2).....	108
Control Tray Components - CE and Australian Models (Drawing 2 of 2).....	110
Parts Index.....	113

## Parts Ordering Information

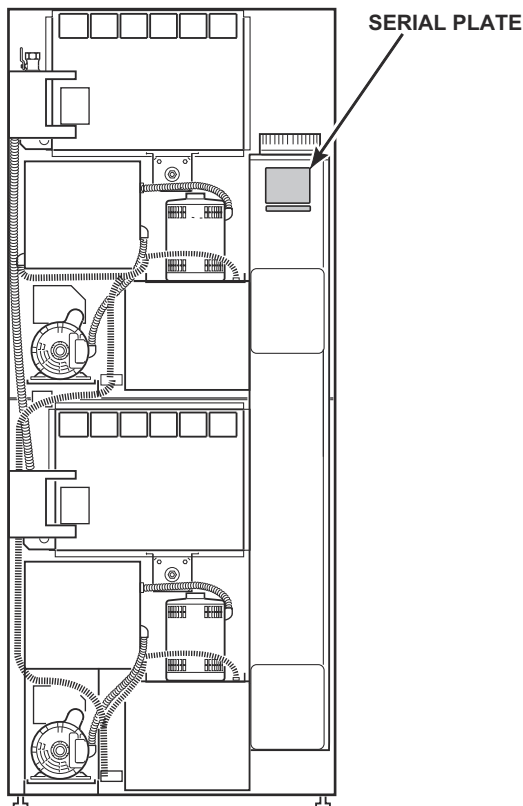
If literature or replacement parts are required, contact the source from whom the machine was purchased or contact Alliance Laundry Systems at (920) 748-3950 for the name and address of the nearest authorized parts distributor.

For technical assistance, call the number listed below:

(920) 748-3121 Ripon, Wisconsin

## Serial Plate Location

When calling or writing about your product, be sure to mention model and serial numbers. Model and serial numbers are located on serial plate(s) as shown.



TMB1974N\_70573401

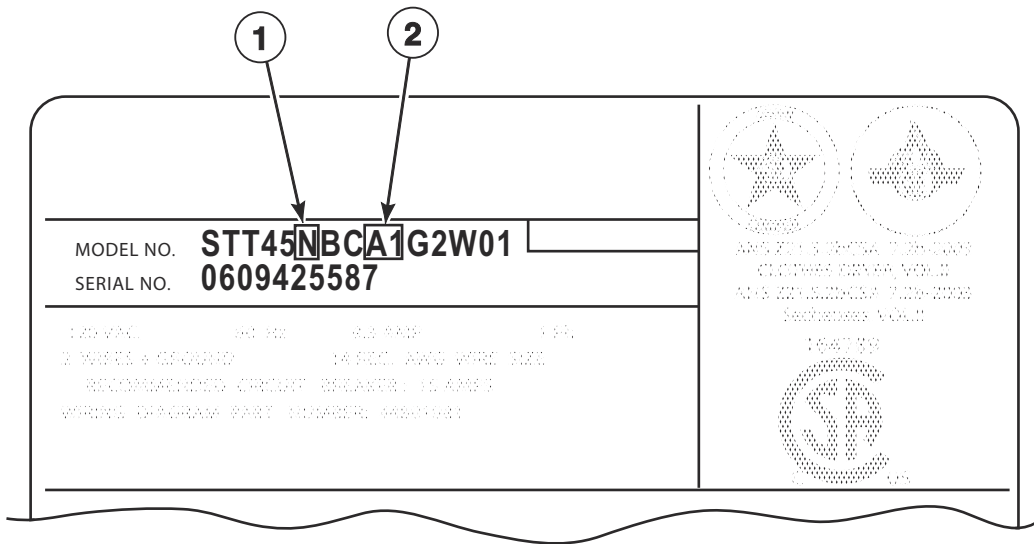


## Model Identification

Information in this manual is applicable to these tumbler models:

BAT45L	GAT45L	ITT45L	MTT45L	SAT45L
BAT45N	GAT45N	ITT45N	MTT45N	SAT45N
BHT45L	GHT45L	ITT45R	MTT45R	SHT45L
BHT45N	GHT45N	KAT45L	NHT45L	SHT45N
BHT45R	GKT45N	KAT45N	NHT45N	SHT45R
BKT45N	GTT45L	KKT45N	NTT45L	SKT45N
BKT45R	GTT45N	KTT45L	NTT45N	SKT45R
BTT45D	GUT45L	KTT45N	NTT45N_SERIAL_THROUGH_0904	STT45D
BTT45L	GUT45N	KUT45L	NUT45L	STT45L
BTT45N	HAT45L	KUT45N	NUT45N	STT45N
BTT45R	HAT45N	LAT45L	PAT45L	STT45R
BUT45L	HHT45L	LAT45N	PAT45N	SUT45L
BUT45N	HHT45N	LKT45N	PHT45L	SUT45N
BUT45R	HHT45R	LTT45L	PHT45N	SUT45R
CKT45N	HKT45N	LTT45N	PKT45N	UAT45L
CTT45L	HKT45R	LUT45L	PTT45L	UAT45N
CTT45N	HTT45D	LUT45N	PTT45N	UHT45L
	HTT45L		PUT45L	UHT45N
	HTT45N		PUT45N	UHT45R
	HTT45R			UKT45N
	HUT45L			UKT45R
	HUT45N			UTT45L
	HUT45R			UTT45N
				UTT45R
				UUT45L
				UUT45N
				UUT45R

# Product Overview - Heat Source and Voltage



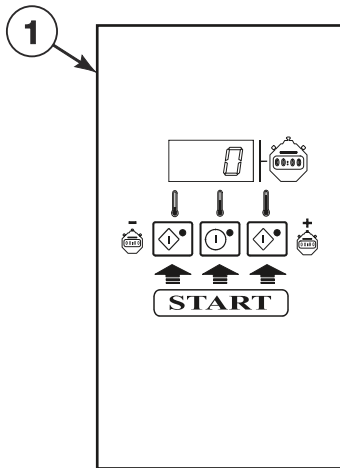
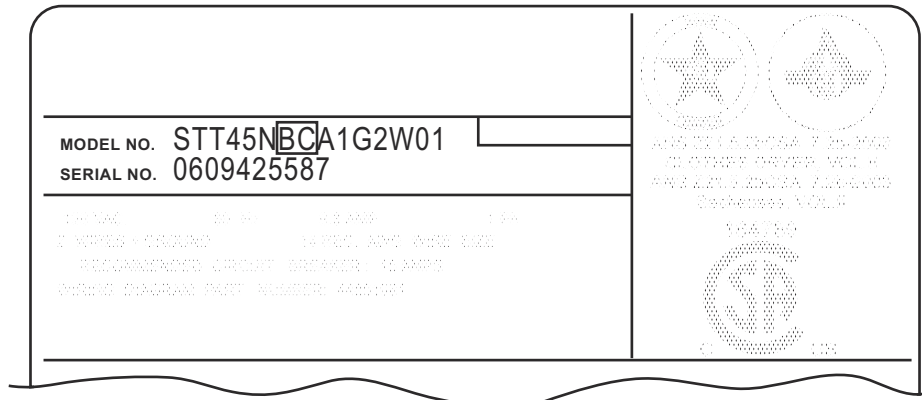
TMB3445P\_70573401



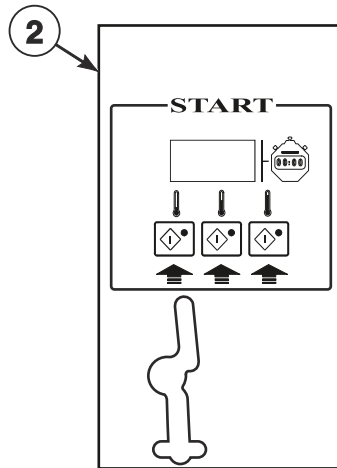
## Product Overview - Heat Source and Voltage

REF	PART NO.	DESCRIPTION	COMMENTS
1	-	Heat Source	L: Liquid Petroleum Gas (L.P.) N: Natural Gas (N.G.) R: Reduced Gas, Natural Gas (Eco Line)
2	-	Voltage	A1: 100, 200 Volt/50 Hertz/1 Phase A2: 100, 200-220 Volt/60Hertz/1 Phase B2: 120, 208-240 Volt/60 Hertz/1 Phase F1: 200 Volt/50 Hertz/1 Phase F2: 200 Volt/60 Hertz/1 Phase F4: 200 Volt/50 Hertz/3 Phase F5: 200-208 Volt/60 Hertz/3 Phase F6: 200-208, 240 Volt/60 Hertz/3 Phase G1: 208 Volt/60 Hertz/1 Phase G2: 208-240 Volt/60 Hertz/1 Phase J1: 230 Volt/50 Hertz/1 Phase J2: 230-240 Volt/50 Hertz/1 Phase J4: 240 Volt/60 Hertz/1 Phase J5: 230 Volt/50 Hertz/3 Phase J6: 230-240 Volt/50 Hertz/3 Phase J8: 240 Volt/60 Hertz/3 Phase M1: 380 Volt/50 Hertz/3 Phase M2: 380, 400-415 Volt/50 Hertz/3 Phase M3: 380 Volt/60 Hertz/3 Phase N1: 400-415 Volt/50 Hertz/3 Phase P1: 440 Volt/60 Hertz/3 Phase Q1: 460-480 Volt/60 Hertz/3 Phase

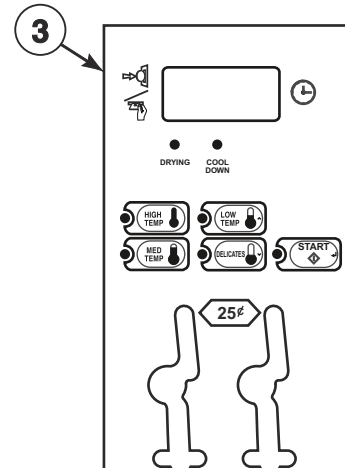
# Product Overview - Control Suffixes (Drawing 1 of 3)



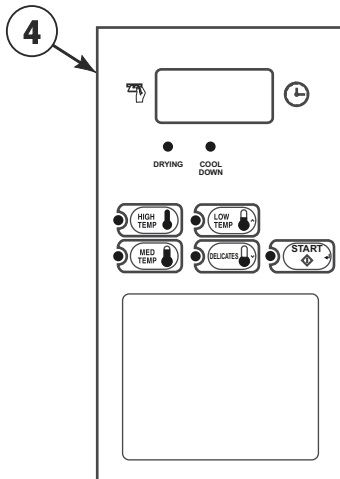
**3L and 3O  
Control Suffixes**



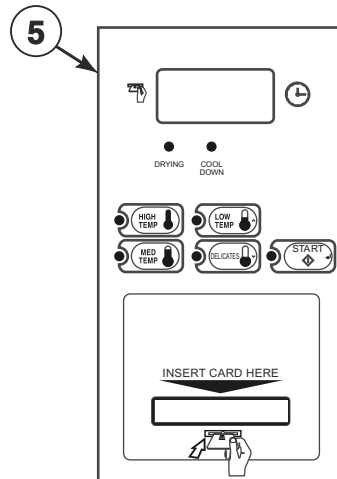
**3V and 3X  
Control Suffixes**



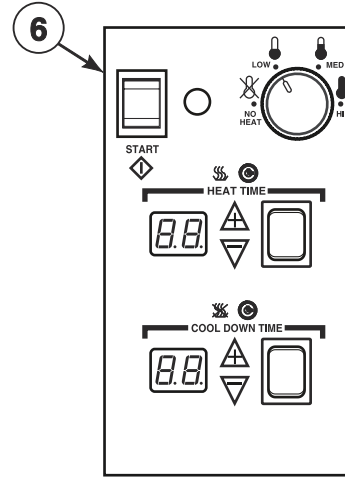
**BC and BX  
Control Suffixes**



**BG and BL  
Control Suffixes**



**BY  
Control Suffix**



**QT  
Control Suffix**

TMB3446P\_70573401

## Product Overview - Control Suffixes (Drawing 1 of 3)

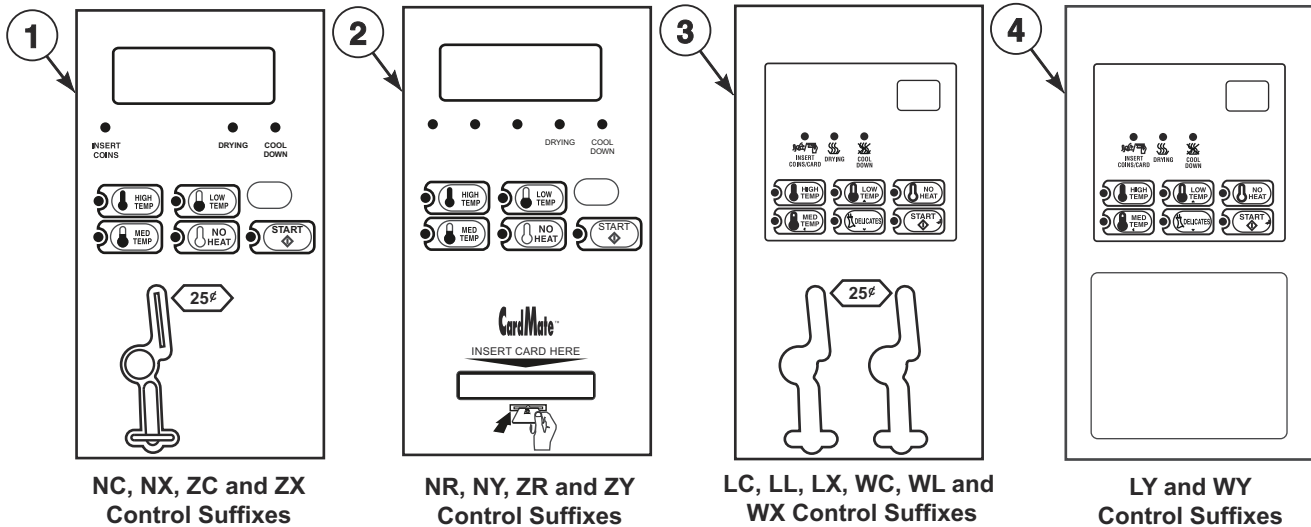
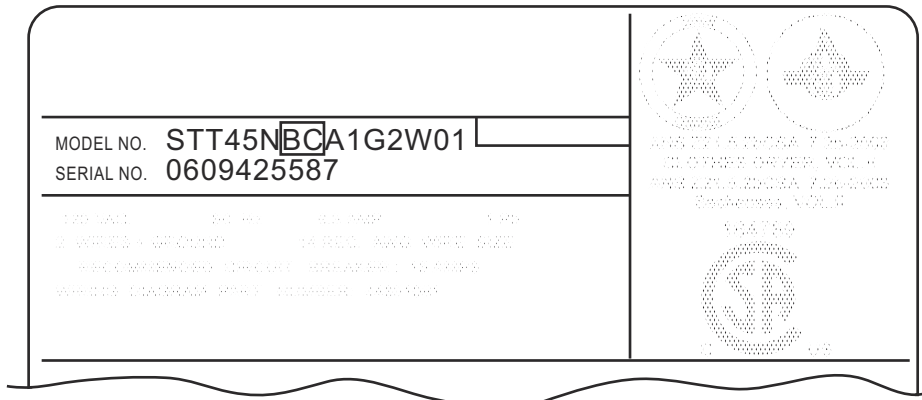
REF	PART NO.	DESCRIPTION	COMMENTS
1	-	Control - Nonreversing	3L: DX4 prep for central pay 3O: DX4 OPL
2	-	Control - Nonreversing	3V: DX4 vended 3X: DX4 prep for coin
3	-	Control - Nonreversing	BC: basic electronic, coin BX: basic electronic, prep for coin
4	-	Control - Nonreversing	BG: basic electronic, OPL BL: basic electronic, central pay
5	-	Control - Nonreversing	BY: basic electronic, prep for card
6	-	Control - Nonreversing	QT: dual digital timer

**NOTE: Coin models have the following control suffixes: 3V, 3X, BC and BX**

**NOTE: OPL models have the following control suffixes: 3L, 3O, BG, BL, BY and QT**

# Product Overview - Control Suffixes (Drawing 2 of 3)

All Models Except L and N Models

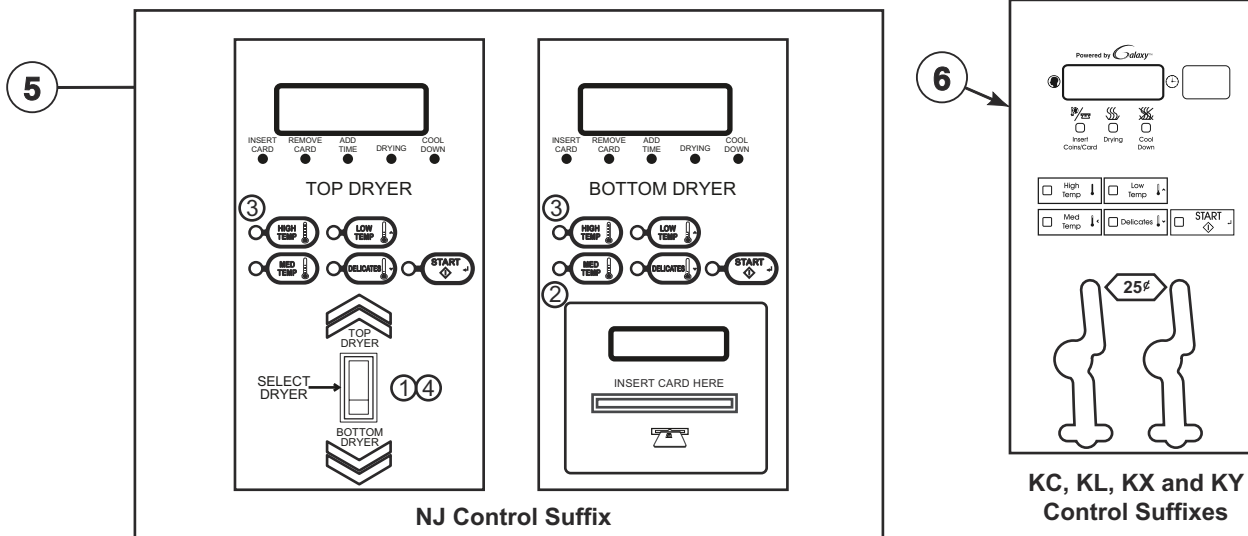


**NC, NX, ZC and ZX  
Control Suffixes**

**NR, NY, ZR and ZY  
Control Suffixes**

**LC, LL, LX, WC, WL and  
WX Control Suffixes**

**LY and WY  
Control Suffixes**



**NJ Control Suffix**

**KC, KL, KX and KY  
Control Suffixes**

TMB3447P\_70573401

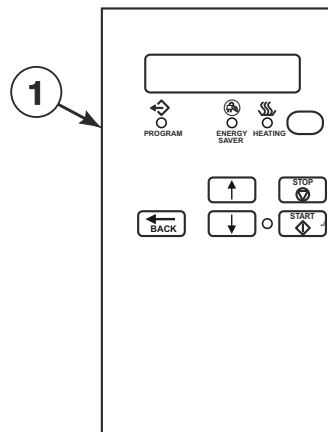
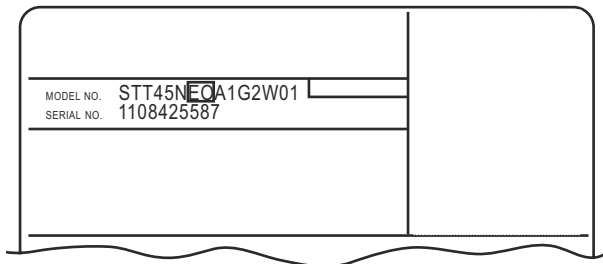
## Product Overview - Control Suffixes (Drawing 2 of 3)

REF	PART NO.	DESCRIPTION	COMMENTS
1	-	Control - Nonreversing	NC: NetMaster coin NX: NetMaster, prep for coin ZC: NetMaster network coin ZX: NetMaster network, prep for coin
2	-	Control - Nonreversing	NR: NetMaster card NY: NetMaster, prep for card ZR: NetMaster network card ZY: NetMaster network, prep for card
3	-	Control - Nonreversing	LC: network adaptable coin LL: network adaptable, prep for central pay LX: network adaptable, prep for coin WC: network ready coin WL: network ready, prep for central pay WX: network ready, prep for coin
4	-	Control - Nonreversing	LY: network adaptable, prep for card WY: network ready, prep for card
5	-	Control - Nonreversing	NJ: micro, prep single card reader
6	-	Control - Nonreversing	KC: single coin KL: prep for central pay KX: prep for coin KY: prep for card

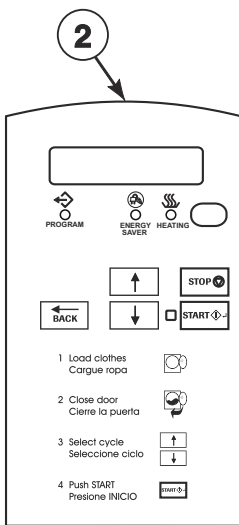
**NOTE: Coin models have the following control suffixes: KC, KL, KX, KY, LC, LL, LX, LY, NC, NX, WC, WL, WX, WY, ZC and ZX**

**NOTE: OPL models have the following control suffixes: NJ, NR, NY, ZR and ZY**

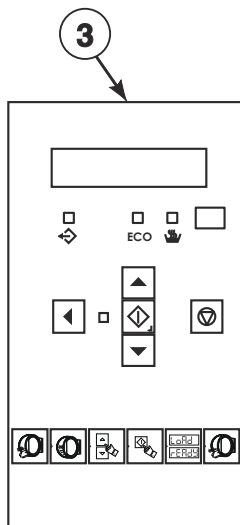
# Product Overview - Control Suffixes (Drawing 3 of 3)



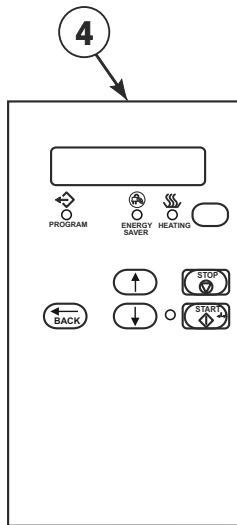
EO Control Suffix



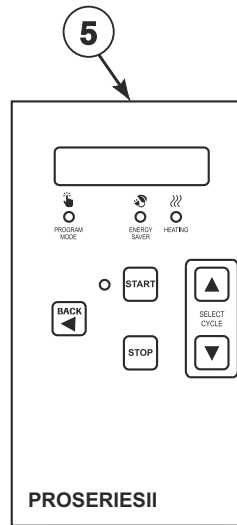
EO Control Suffix



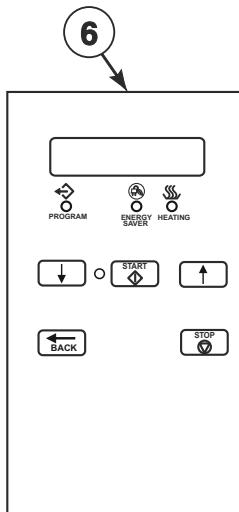
EO Control Suffix



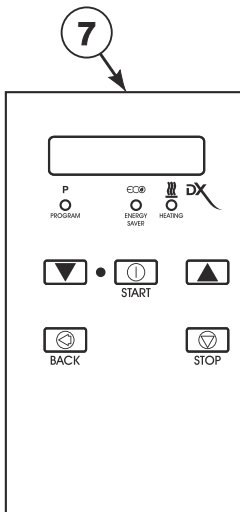
EO Control Suffix



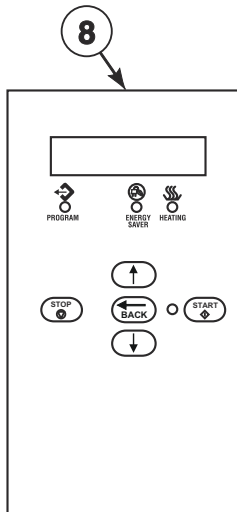
EO Control Suffix



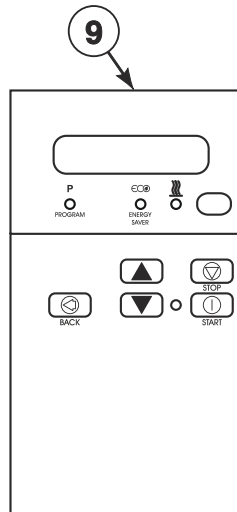
EO Control Suffix



EO Control Suffix



EO Control Suffix



EO Control Suffix

TMB3448P\_70573401

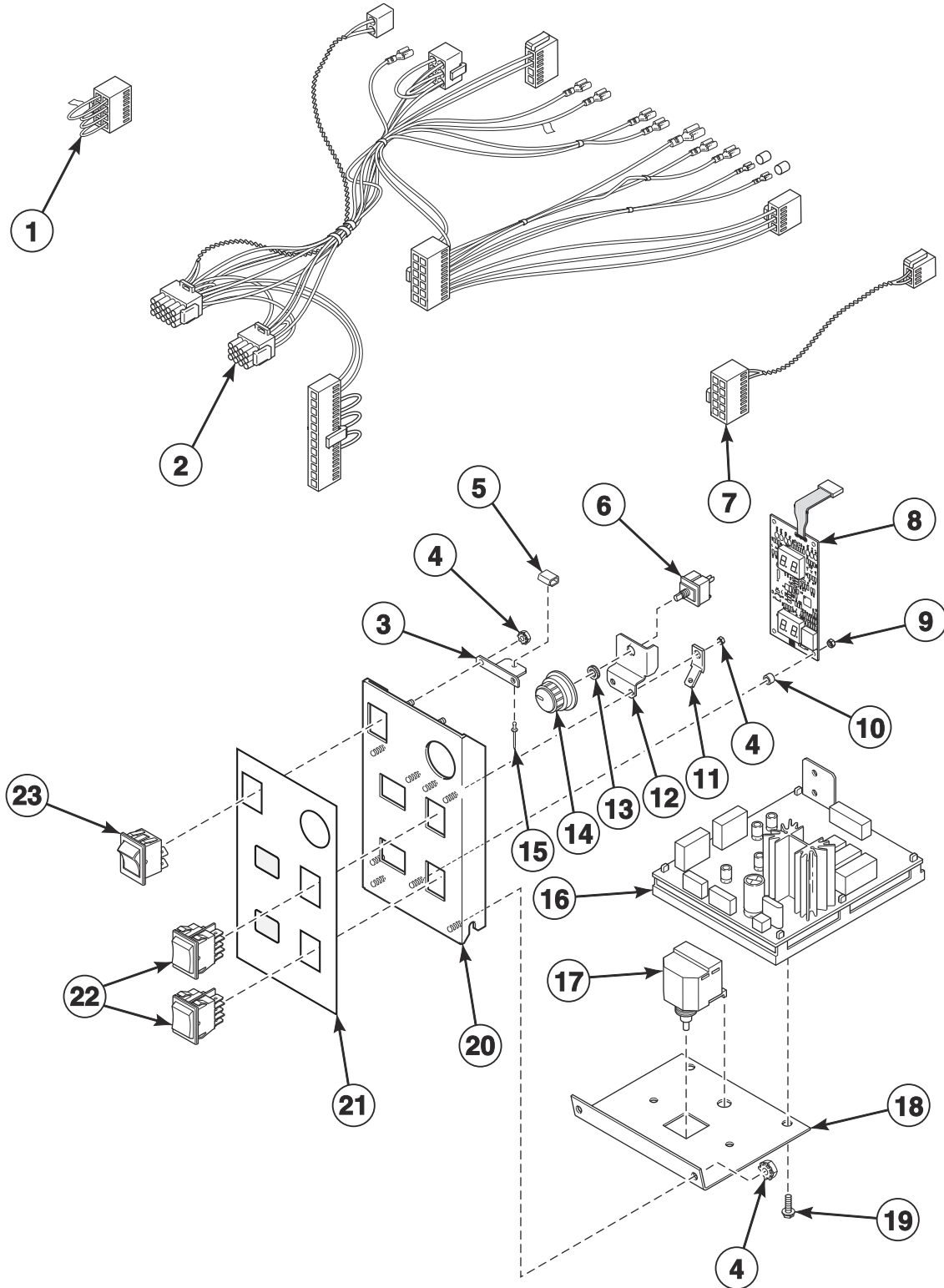
## Product Overview - Control Suffixes (Drawing 3 of 3)

REF	PART NO.	DESCRIPTION	COMMENTS
1	-	Control - Nonreversing	S models; EO: LED OPL
2	-	Control - Nonreversing	H models; EO: LED OPL
3	-	Control - Nonreversing	B, C and I models; EO: LED OPL
4	-	Control - Nonreversing	U models; EO: LED OPL
5	-	Control - Nonreversing	G and K models; EO: LED OPL
6	-	Control - Nonreversing	P models; Models through 9/30/14; EO: LED OPL
7	-	Control - Nonreversing	P models; Models starting 10/1/14 through 5/31/15; EO: LED OPL
8	-	Control - Nonreversing	N models; L models through 5/31/15; EO: LED OPL
9	-	Control - Nonreversing	L and P models starting 6/1/15; EO: LED OPL

**NOTE: OPL models have the following control suffixes: EO**

# Dual Digital Timer Components

C, H, I, L, N, P, S and U Models  
G and K Models Starting 1/16/12  
Models with QT Control Suffix



TMB2397P\_70573401

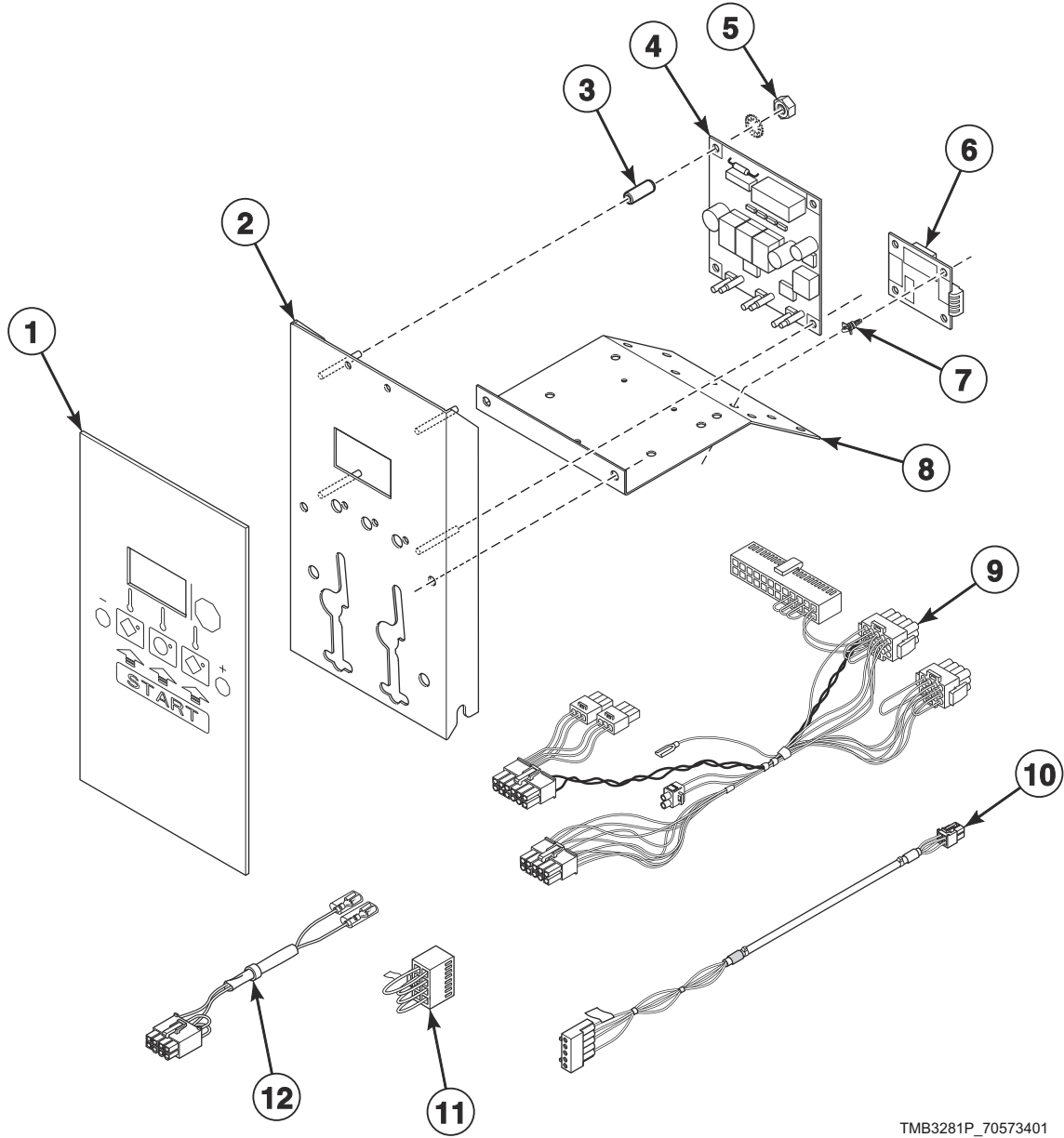


## Dual Digital Timer Components

REF	PART NO.	DESCRIPTION	COMMENTS
	70346001P	Main Harness	Electric models need 55881 Harness Strap; Models through 1/15/12
	70441401	Main Harness	Electric models need 55881 Harness Strap; Models starting 1/16/12
<b>1</b>	70364103	Bypass Harness	Non-CE models
<b>2</b>	70367001P	Control Panel Harness	
<b>3</b>	70119801	Latch Mounting Bracket	
<b>4</b>	70054	Nut	
<b>5</b>	431318	Control Door Latch	
<b>6</b>	D511711	Temperature Selector Switch	
<b>7</b>	70324603	Jumper Calibration Wire	
<b>8</b>	D512218P	Display Assembly	C and I models through 7/14/14; All other models
	70503101P	Control Assembly	C and I models starting 7/15/14
<b>9</b>	29787	Nut	4 required
<b>10</b>	56079	Panel Locator	4 required
<b>11</b>	00177	Male Tab Terminal	
<b>12</b>	70391701	Temperature Selector Switch Bracket	
<b>13</b>	24205	Nut	
<b>14</b>	44104601	Temperature Knob	
<b>15</b>	M400003	Pop Rivet	
<b>16</b>	D512202P	Control Assembly	
<b>17</b>	M4860P3	Buzzer Kit	Includes harness
<b>18</b>	70357901	Control Chassis Mounting Bracket	
<b>19</b>	D501524	Screw	
<b>20</b>	70365601	Control Plate Assembly	H models; Includes studs
	70361201	Control Door Assembly	All other models; Includes studs
<b>21</b>	70361401	Overlay	H models
	70493901	Overlay	U models starting 8/18/14
	70361301	Overlay	U models through 8/17/14; C and I models through 7/14/14; All other models
	70504801	Overlay	C and I models starting 7/15/14
<b>22</b>	70461301	Rocker Switch	Black button
<b>23</b>	70455101	Rocker Switch	Green button; Start

# DX4 Control Components

B, C and I Models with 3L, 3O, 3V and 3X Control Suffixes



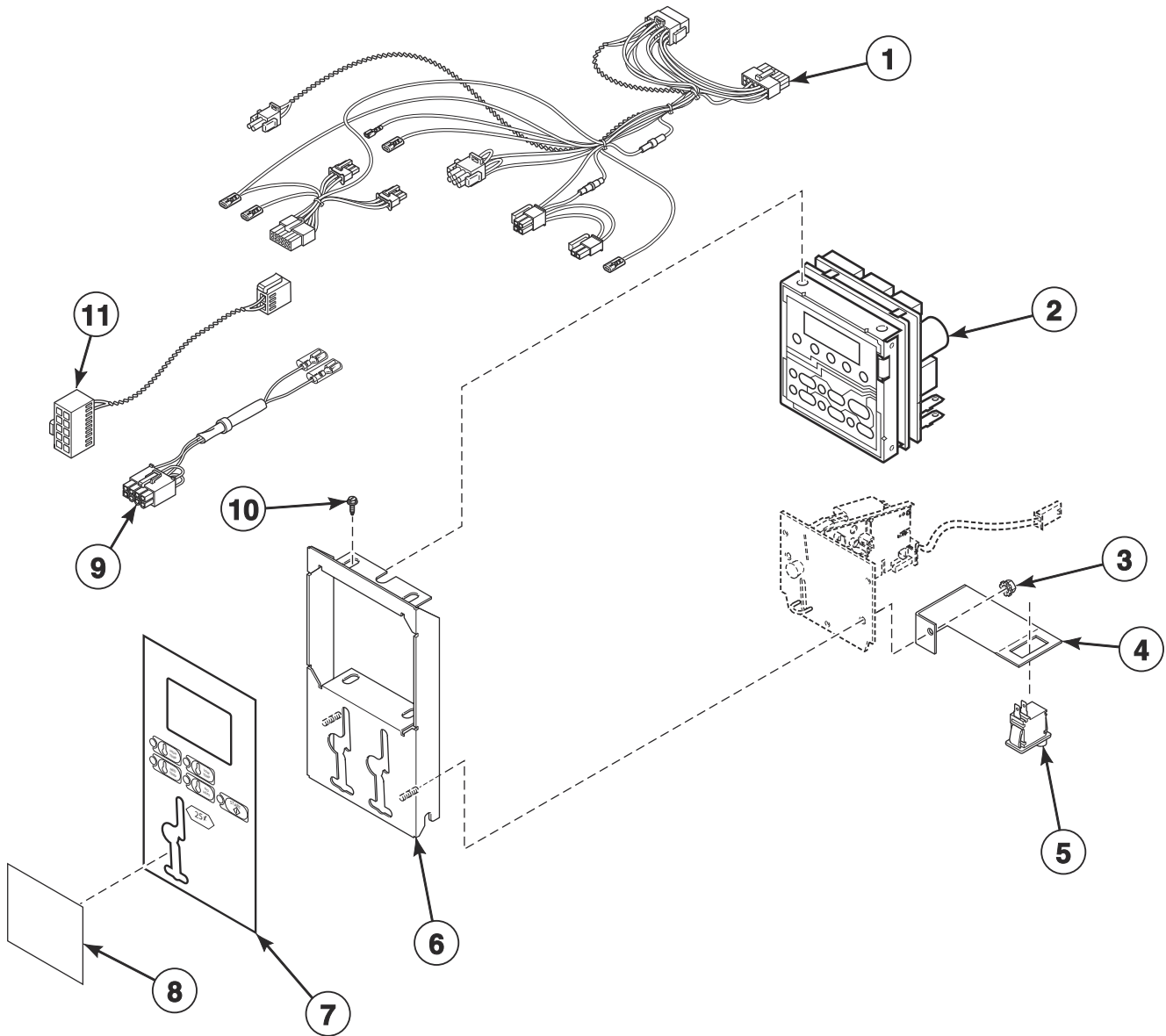
TMB3281P\_70573401

## DX4 Control Components

REF	PART NO.	DESCRIPTION	COMMENTS
	70441401	Main Harness	Models starting 1/16/12
	70559502	Control Door Latch Kit	Coin
<b>1</b>	70279101	Graphic Overlay	OPL; Models through 7/31/11
	70468201	Graphic Overlay	OPL; Models starting 8/1/11
	70279201	Graphic Overlay	Coin; Single drop; Models through 7/31/11
	70462601	Graphic Overlay	Coin; Single drop; Models starting 8/1/11
	70279202	Graphic Overlay	Coin; Dual drop; Models through 7/31/11
	70462602	Graphic Overlay	Coin; Dual drop; Models starting 8/1/11
	70462603	Graphic Overlay	Prep for central pay
<b>2</b>	70279301P	Control Plate Kit	
<b>3</b>	44050601	Sleeve	4 required
<b>4</b>	70462303P	Control Assembly	Non-CE and non-Australian models; 3O control suffix
	70462304P	Control Assembly	CE and Australian models; 3O control suffix
	70462367P	Control Assembly	Non-CE and non-Australian models; 3V and 3X control suffixes
	70462368P	Control Assembly	CE and Australian models; 3V and 3X control suffixes
	70462370	Control Assembly	Non-CE and non-Australian models; 3L control suffix
	70462371	Control Assembly	CE and Australian models; 3L control suffix
<b>5</b>	29787	Nut	
<b>6</b>	209/00471/75	Central Pay Interface Control Assembly	3L control suffix
<b>7</b>	211/00119/00	Standoff	3L control suffix; 4 required
<b>8</b>	70179001	Mounting Bracket	CE models; All other models with 3L control suffix
<b>9</b>	70485301	Control Panel Harness	Non-CE and non-Australian models
	70489901	Control Panel Harness	CE and Australian models
<b>10</b>	70491501	Central Pay Harness	Lower; 3L control suffix
	70491502	Central Pay Harness	Upper; 3L control suffix
<b>11</b>	70364103	Bypass Harness	Non-CE models; 3O, 3W, 3X and R3 control suffixes
<b>12</b>	70364104P	Coin Vault Switch Harness	Non-CE models; 3V and 3B control suffixes

# Coin Drop Components for MDC Models

G, H, I, K, L, N, P and S Models with BC and BX Control Suffixes



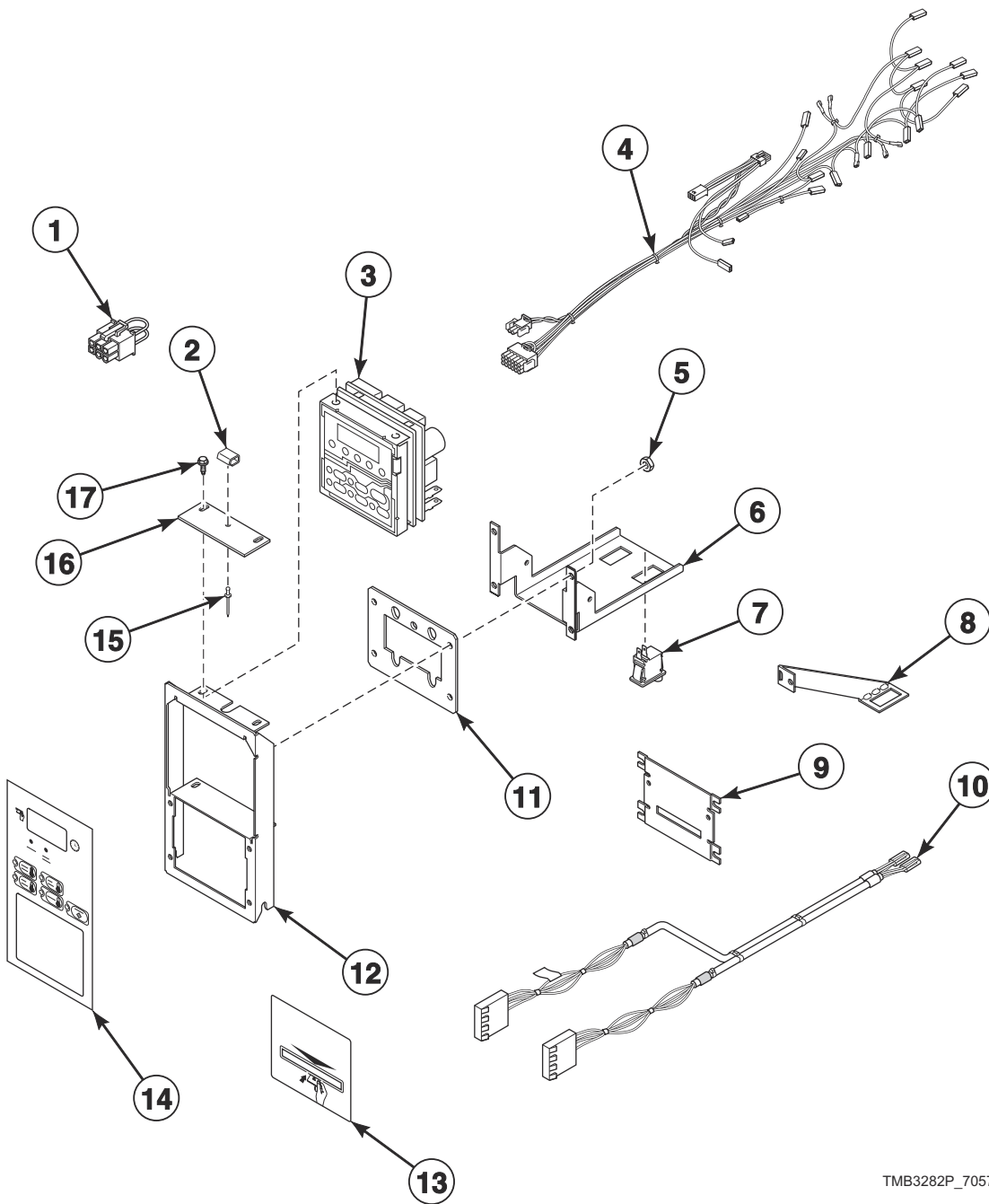
TMB3255P\_70573401

## Coin Drop Components for MDC Models

REF	PART NO.	DESCRIPTION	COMMENTS
	70346001P	Main Harness	Electric models need 55881 Harness Strap; Models through 1/15/12
	70441401	Main Harness	Electric models need 55881 Harness Strap; Models starting 1/16/12
	70559502	Control Door Latch Kit	
<b>1</b>	70315501P	Control Panel Harness	Control panel to main harness
<b>2</b>	D514273P	Control Assembly	I models; Models starting 7/15/14
	D511867P	Control Assembly	I models through 7/14/14; All other models
	D510036P	Membrane Switch	Order to replace touchpad for D511867P Control Assembly
<b>3</b>	29786	Nut	3 required
<b>4</b>	70183901	Audit Switch Bracket	
<b>5</b>	70413301	Pushbutton Switch	Coin vault switch
<b>6</b>	70291201P	Control Plate Kit	H models
	70291101P	Control Plate Kit	All other models
<b>7</b>	70257801	Overlay	S models; L models through 1/28/15; Single drop; Text
	70257802	Overlay	S models; Dual drop; Text
	70261101	Overlay	N and S models; L models through 1/28/15; Single drop; Icon
	70261102	Overlay	N and S models; Dual drop; Icon
	70258101	Overlay	H models; Single drop
	70258102	Overlay	H models; Dual drop
	70261301	Overlay	H models; Single drop; Icon
	70452601	Overlay	G and K models; Upper; Single drop; Text
	70452602	Overlay	G and K models; Upper; Dual drop; Text
	70452701	Overlay	G and K models; Lower; Single drop; Text
	70452702	Overlay	G and K models; Lower; Dual drop; Text
	70492001	Overlay	I models; Models through 7/14/14; Single drop
	70505301	Overlay	I models; Models starting 7/15/14; Single drop
	70492002	Overlay	I models; Models through 7/14/14; Dual drop
	70505302	Overlay	I models; Models starting 7/15/14; Dual drop
	70283301	Overlay	P models through 9/30/14; Upper
	70283401	Overlay	P models through 9/30/14; Lower
	70508901	Overlay	PT models in non-North America starting 10/1/14; L models starting 1/29/15
	70537501	Overlay	PT models in North America starting 10/1/14
<b>8</b>	70321001	Overlay	P models; Models through 9/30/14; Upper; World drop
	70129501	Overlay	P models; Models through 9/30/14; Upper; Single drop
	70129601	Overlay	P models; Models through 9/30/14; Upper; Dual drop
	70129701	Overlay	P models; Models through 9/30/14; Lower; Single drop
	70129801	Overlay	P models; Models through 9/30/14; Lower; Dual drop
	70509901	Overlay	P models starting 10/1/14; L models starting 1/29/15; Upper; Single drop
	70510001	Overlay	P models starting 10/1/14; L models starting 1/29/15; Upper; Dual drop
	70510101	Overlay	P models starting 10/1/14; L models starting 1/29/15; Upper; World drop
	70510201	Overlay	P models starting 10/1/14; L models starting 1/29/15; Lower; Single drop
	70510301	Overlay	P models starting 10/1/14; L models starting 1/29/15; Lower; Dual drop
	70510401	Overlay	P models starting 10/1/14; L models starting 1/29/15; Lower; World drop
	70511301	Overlay	P models starting 10/1/14; Upper/Lower; Central pay
<b>9</b>	70364104P	Coin Vault Switch Harness	Non-CE models
<b>10</b>	D501524	Screw	4 required for mounting control
<b>11</b>	70324603	Jumper Calibration Wire	

# Card Reader Components for MDC Models

G, H, I, K, L, MTT45N, N, P and S Models with BG, BL and BY Control Suffixes



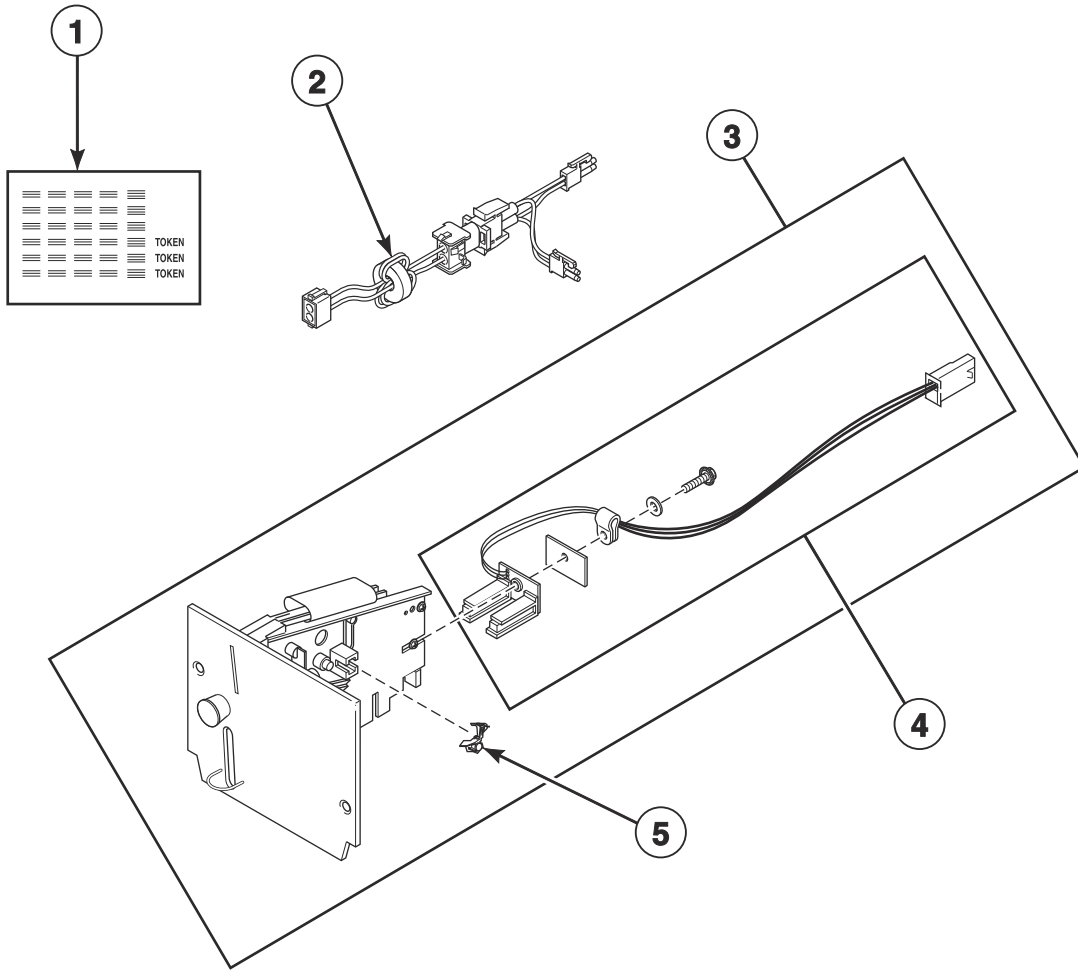
TMB3282P\_70573401

## Card Reader Components for MDC Models

REF	PART NO.	DESCRIPTION	COMMENTS
	70346001P	Main Harness	Electric models need 55881 Harness Strap; Models through 1/15/12
	70441401	Main Harness	Electric models need 55881 Harness Strap; Models starting 1/16/12
<b>1</b>	70364103	Bypass Harness	Non-CE models
<b>2</b>	431318	Control Door Latch	
<b>3</b>	D514273P	Control Assembly	I models; Models starting 7/15/14
	D511867P	Control Assembly	I models through 7/14/14; All other models
	D510036P	Membrane Switch	Order to replace touchpad for D511867P Control Assembly
<b>4</b>	70368001P	Control Panel Harness	Non-CE and non-Australian models
	70315501P	Control Panel Harness	CE and Australian models
<b>5</b>	70054	Nut	
<b>6</b>	70119001	Chassis Mounting Bracket	Use with item 1
<b>7</b>	70413301	Pushbutton Switch	Coin vault switch
<b>8</b>	70183901	Audit Switch Bracket	Use with item 7
<b>9</b>	44089501	Slot Card Plate Assembly	
<b>10</b>	70484501	Central Pay Harness	BL control suffix
<b>11</b>	70208801	Mounting Plate	
<b>12</b>	70497401	Control Door and Studs Assembly	G, I, K, L, M, N, P and S models
	70498401	Control Door and Studs Assembly	NTT45N_SERIAL_THROUGH_0904 and H models
<b>13</b>	70334201	Card Reader Overlay	N and S models; Black; Included in literature packet
	70334301	Card Reader Overlay	H models; Gray; Included in literature packet
	70275401	Overlay	H models; Models with BL control suffix
	70286701	Overlay	P models; Models through 9/30/14; Models with BL control suffix; Upper
	70286801	Overlay	P models; Models through 9/30/14; Models with BL control suffix; Lower
	70511101	Overlay	P models starting 10/1/14; L models starting 1/29/15; Models with BY control suffix; Upper
	70511201	Overlay	P models starting 10/1/14; L models starting 1/29/15; Models with BY control suffix; Lower
	70511401	Overlay	P models starting 10/1/14; L models starting 1/29/15; Convert card models to central pay; Upper/Lower
	70246301	Coin Cover Overlay	I models; Models with BL control suffix
<b>14</b>	70335801	Overlay	N and S models; P models through 9/30/14; L models through 1/28/15; Text and icon
	70509801	Overlay	P models starting 10/1/14; L models starting 1/29/15
	70336001	Overlay	H models; Text and icon
	70492001	Overlay	I models; Models through 7/14/14
	70506801	Overlay	I models; Models starting 7/15/14
	70351501	Overlay	M models
	70304201	Overlay	N models; Text and icon
	70452801	Overlay	G and K models; Upper; BY control suffix
	70452901	Overlay	G and K models; Lower; BY control suffix
	70411801	Overlay	G and K models; Text; BG and BL control suffixes
<b>15</b>	M400003	Pop Rivet	
<b>16</b>	70184501	Latch Mounting Bracket	
<b>17</b>	D501524	Screw	4 required

# Coin Drops

All Models Except U Models



TMB2921P\_70573401



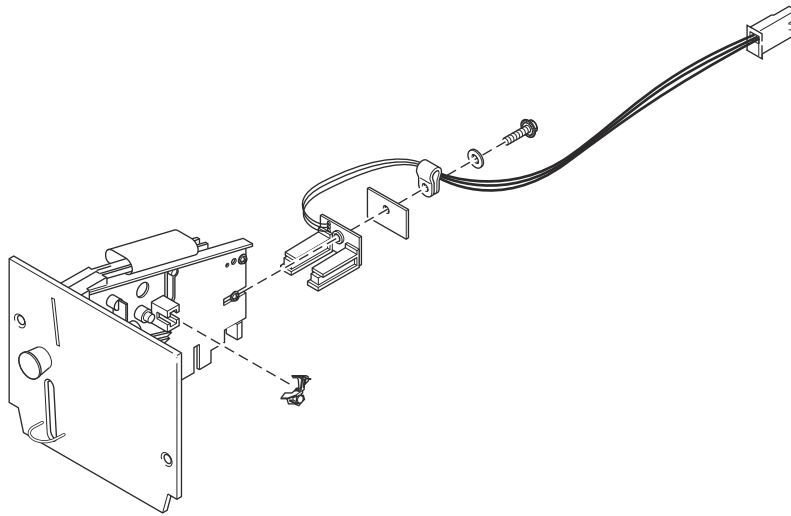
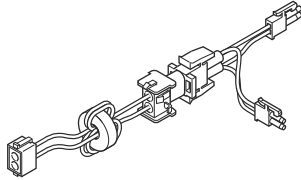
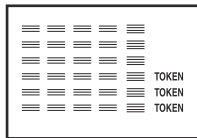
# Coin Drops

REF	PART NO.	DESCRIPTION	COMMENTS
1	38725	Coin Identification Paper	
2	44065801	Electronic Coin Drop Harness	Models through 4/14/09
3	70294103P	Electronic Coin Drop Assembly	United Kingdom (default) and Europe
	70294104	Electronic Coin Drop Assembly	Europe (default), Denmark and Norway
	CK099	Electronic Coin Drop Kit	Australia (default), New Zealand, Hong Kong, South Korea and Malaysia
	70294106	Electronic Coin Drop Assembly	Mexico (default), Ecuador and United States
	70294107	Electronic Coin Drop Assembly	Lithuania (default), Latvia and Europe
	70513311	Electronic Coin Drop Assembly	Malaysia (default) and China
	70294117	Electronic Coin Drop Assembly	Russia; 5.00 and 10.00
	70294119	Electronic Coin Drop Assembly	Thailand; 1, 5 and 10 Baht
	70294120	Electronic Coin Drop Assembly	Chile; Chilean peso
	70294121	Electronic Coin Drop Assembly	Singapore
	70294111	Electronic Coin Drop Assembly	Euro; .10 - 2.00
	70441601P	Coin Drop	USA; \$.25
	70256402P	Coin Drop	USA; Dual; \$.25 and \$1.00
	70429001	Coin Drop	B models; USA
	38475	Coin Drop Assembly	Japan; 100 yen
	38519	Coin Drop Assembly	Japan; 100 and 500 yen
	38467	Coin Drop Assembly	Australia; .20 and 1.00
	70447301	Coin Drop Assembly	Australia; 1.00 and 2.00
	70482401	Coin Drop Assembly	New Zealand; 1.00 and 2.00
	39748	Coin Drop	HU, PU and SU models; Token; Jeton; Grooves on the face of the token
	210195	Coin Drop Assembly	Euro; .20 and 1.00
	210196	Coin Drop Assembly	Euro; .50 and 1.00
	38462P	Coin Drop Assembly	Token; STD-118-1; .880 diameter x .079 thick; Brass
	38463	Coin Drop Assembly	Token; STD-118-5; .990 diameter x .081 thick; Silver
	70471601	Coin Drop Assembly	Token; 7K
	38464P	Coin Drop Assembly	Canada; .25
	70441602	Coin Drop Assembly	Canada; .25 and 1.00
38472	Coin Drop Assembly	England; 20 pence and 1 pound	
N/A	Coin Drop Assembly	Denmark; 1 and 5 DKK; May replace with 70294104 Electronic Coin Drop Assembly	
38521	Coin Drop Assembly	Korea; 100 and 500 won	
38963P	Coin Drop	Token STD-118-16 not available; Replacement for 38963P Coin Drop only	
N/A	Coin Drop Assembly	Taiwan; Dual; 5 and 10 NT; May replace with CK113 Electronic Coin Drop Kit	
39157	Coin Drop Assembly	Israel; Shekel	
CK077	Coin Drop Kit	Taiwan; 10 NT	
CK114	Coin Drop Assembly	Singapore; Old 1.00	
CK123	Coin Drop Kit	Singapore; New 1.00	
4	200674P	Opto Coupler	
5	201595P	Wire Guard	

**N/A = Part no longer available**

# Coin Drop Kits

All Models Except U Models



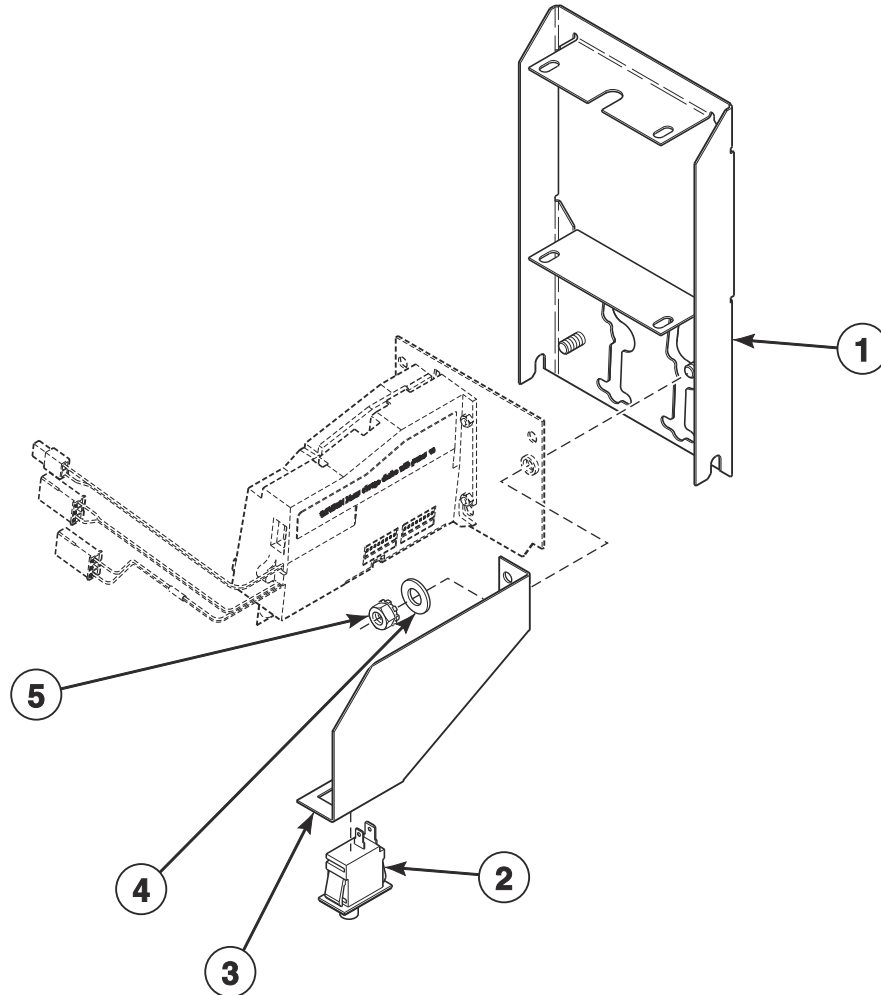
TMB2921PA\_70573401

## Coin Drop Kits

REF	PART NO.	DESCRIPTION	COMMENTS
	CK115	Electronic Coin Drop Kit	United States and Canada
	CK113	Electronic Coin Drop Kit	Japan and Taiwan
	CK099	Electronic Coin Drop Kit	Australia (default), New Zealand, Hong Kong, South Korea and Malaysia
	CK100	Electronic Coin Drop Kit	United Kingdom (default) and Europe
	CK101	Electronic Coin Drop Kit	Europe (default), Denmark and Norway
	CK103	Electronic Coin Drop Kit	Lithuania (default), Latvia and Europe
	CK108	Electronic Coin Drop Kit	South Africa
	CK109	Electronic Coin Drop Kit	Euro
	CK116	Electronic Coin Drop Kit	Malaysia (default) and China
	CK117	Electronic Coin Drop Kit	Russia
	CK118	Electronic Coin Drop Kit	Philippine
	CK119	Electronic Coin Drop Kit	Thailand
	CK120	Electronic Coin Drop Kit	Chile
	CK121	Electronic Coin Drop Kit	Singapore
	CK122	Coin Drop Kit	New Zealand; 1.00 and 2.00

# Electronic Coin Drop Components

B, C, G, H, I, K, L, N, P and S Models with 3V, BC, KC, LC, NC, WC and ZC Control Suffixes



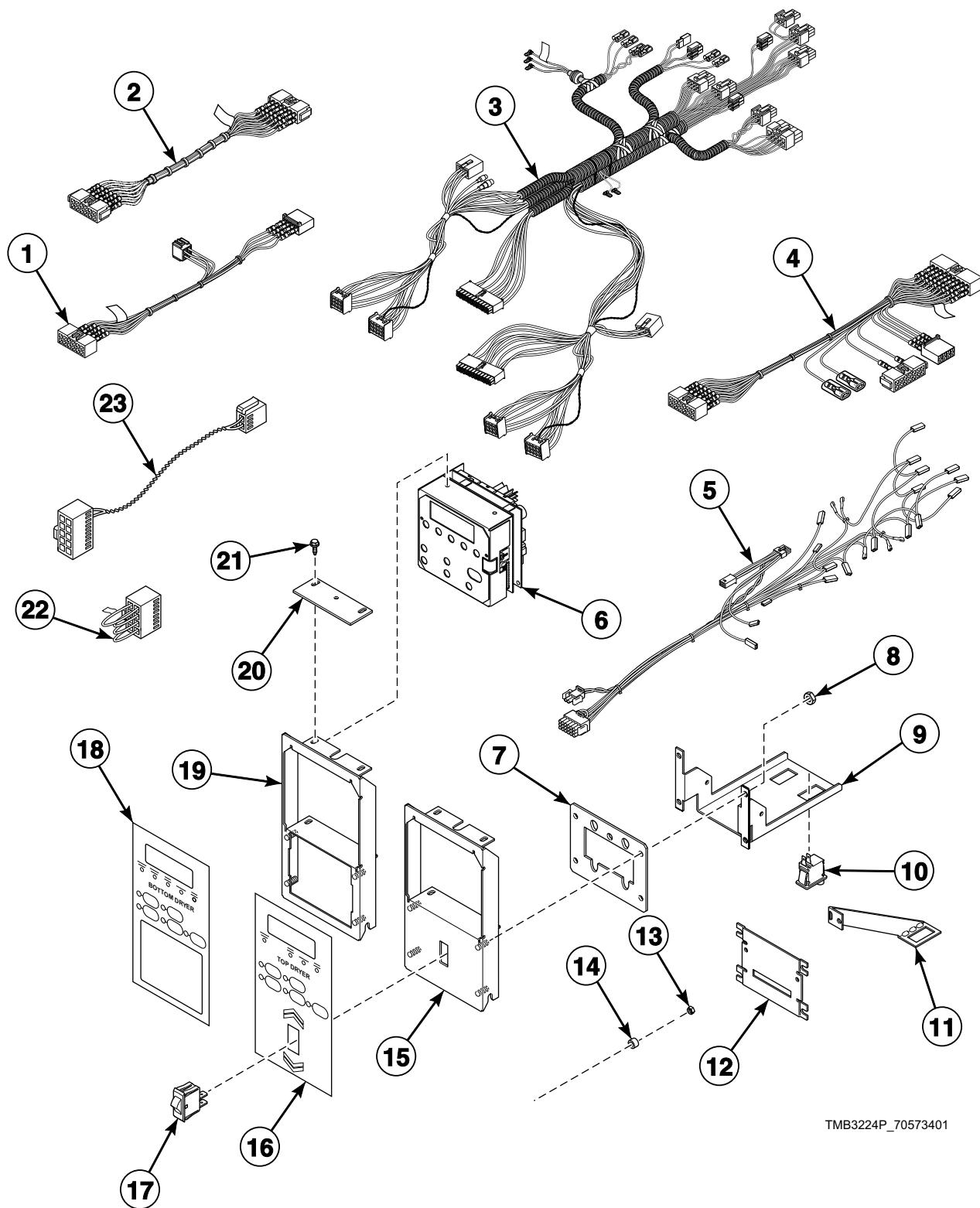
TMB1984K\_70573401

## Electronic Coin Drop Components

REF	PART NO.	DESCRIPTION	COMMENTS
1	70291201P	Control Plate Kit	H models
	70291101P	Control Plate Kit	All other models
2	70413301	Pushbutton Switch	Coin vault switch
3	70292601	Audit Switch Bracket	
4	70292801	Washer	2 required
5	29786	Nut	2 required

# Card Reader Components for Micro Models

K Models Through Serial No. 1101018349 with NJ Control Suffix



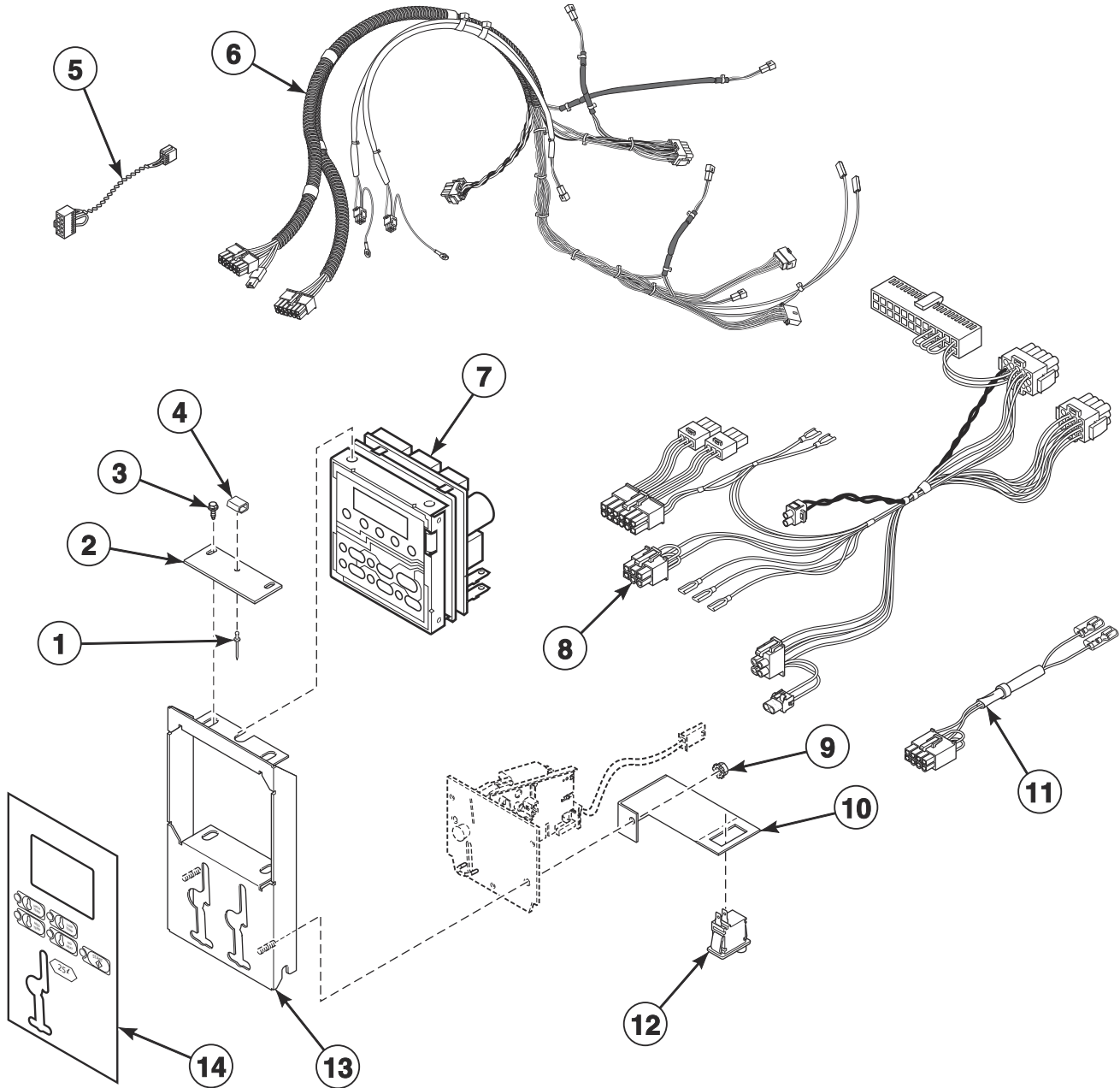
TMB3224P\_70573401

## Card Reader Components for Micro Models

REF	PART NO.	DESCRIPTION	COMMENTS
	430497	Screw	
	70366201	Wire Clip	
	70307003	Control Housing Cover	
<b>1</b>	70420101P	Lower Card Reader Harness	
<b>2</b>	70419901P	Main Harness	Single card reader; Electric models need 55881 Harness Strap
<b>3</b>	70346001P	Main Harness	Electric models need 55881 Harness Strap
<b>4</b>	70420001P	Upper Card Reader Harness	
<b>5</b>	70368001P	Control Panel Harness	Non-CE and non-Australian models
	70315501P	Control Panel Harness	CE and Australian models
<b>6</b>	D505905P	Control Kit	
	D510036P	Membrane Switch	Order to replace touchpad for D510034 Control Assembly in D505905P Control Kit
<b>7</b>	70208801	Mounting Plate	
<b>8</b>	70054	Nut	
<b>9</b>	70119001	Chassis Mounting Bracket	
<b>10</b>	70413301	Pushbutton Switch	Coin vault switch
<b>11</b>	70183901	Audit Switch Bracket	Use with item 10
<b>12</b>	44089501	Slot Card Plate Assembly	
<b>13</b>	29787	Nut	
<b>14</b>	56079	Panel Locator	
<b>15</b>	70420201	Control Mounting Bracket Assembly	
<b>16</b>	70418001	Overlay	Upper
<b>17</b>	44099601	Rocker Switch	
<b>18</b>	70417901	Overlay	Bottom
<b>19</b>	70497401	Control Door and Studs Assembly	
<b>20</b>	70184501	Latch Mounting Bracket	
<b>21</b>	D501524	Screw	4 required
<b>22</b>	70364103	Bypass Harness	Non-CE models
<b>23</b>	70324603	Jumper Calibration Wire	

# Coin Drop Components for NetMaster Models

KT Models Through Serial No. 1101018349 and ST Models Through Serial No. 0904004427  
NC, NX, ZC and ZX Control Suffixes



TMB2782P\_70573401

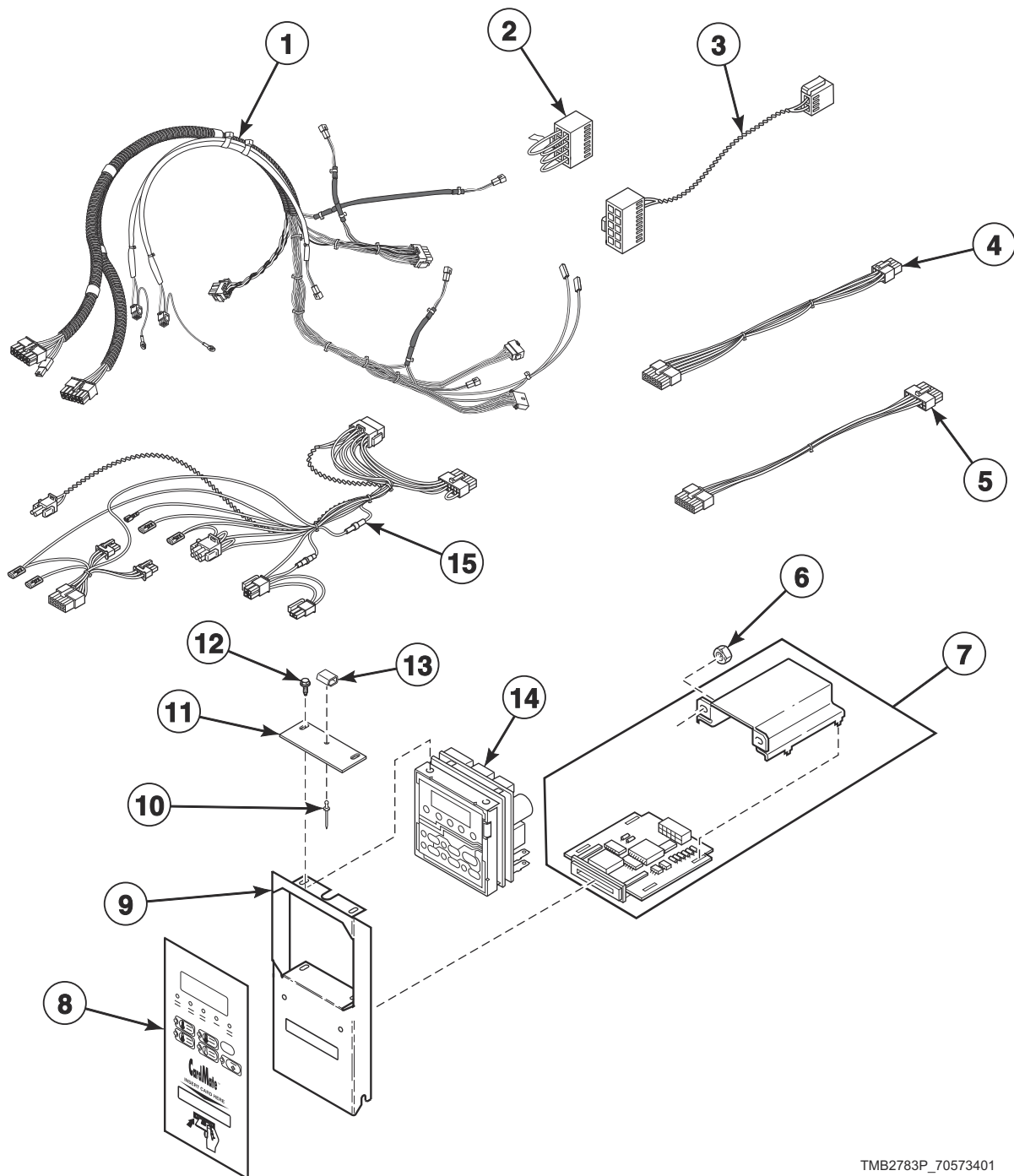


## Coin Drop Components for NetMaster Models

REF	PART NO.	DESCRIPTION	COMMENTS
	44147801	Overlay	K models
	70559502	Control Door Latch Kit	
1	M400003	Pop Rivet	
2	70184501	Latch Mounting Bracket	
3	D501524	Screw	4 required
4	431318	Control Door Latch	
5	70211703P	Jumper Calibration Assembly	
6	70346002P	Main Harness	Electric models need 55881 Harness Strap
7	D505905P	Control Kit	Includes tape
	D510036P	Membrane Switch	Order to replace touchpad for D510034 Control Assembly in D505905P Control Kit
8	70368001P	Control Panel Harness	
9	29786	Nut	
10	70292601	Audit Switch Bracket	
11	70364104P	Coin Vault Switch Harness	NC and ZC control suffixes; Non-CE models
12	70413301	Pushbutton Switch	Coin vault switch
13	70291101P	Control Plate Kit	
	70498001	Control Door and Studs Assembly	K models
14	70184101	Overlay	Single drop
	70184102	Overlay	Dual drop
	70413601	Overlay	K models; NC and NX control suffixes; Single drop; Bottom
	70413602	Overlay	K models; NC and NX control suffixes; Dual drop; Bottom
	70413901	Overlay	K models; NC and NX control suffixes; Single drop; Upper
	70413902	Overlay	K models; NC and NX control suffixes; Dual drop; Upper

# Card Reader Components for NetMaster Models

KT Models Through Serial No. 1101018349 and SA and ST Models Through Serial No. 0904004427  
NR, NY, ZR and ZY Control Suffixes



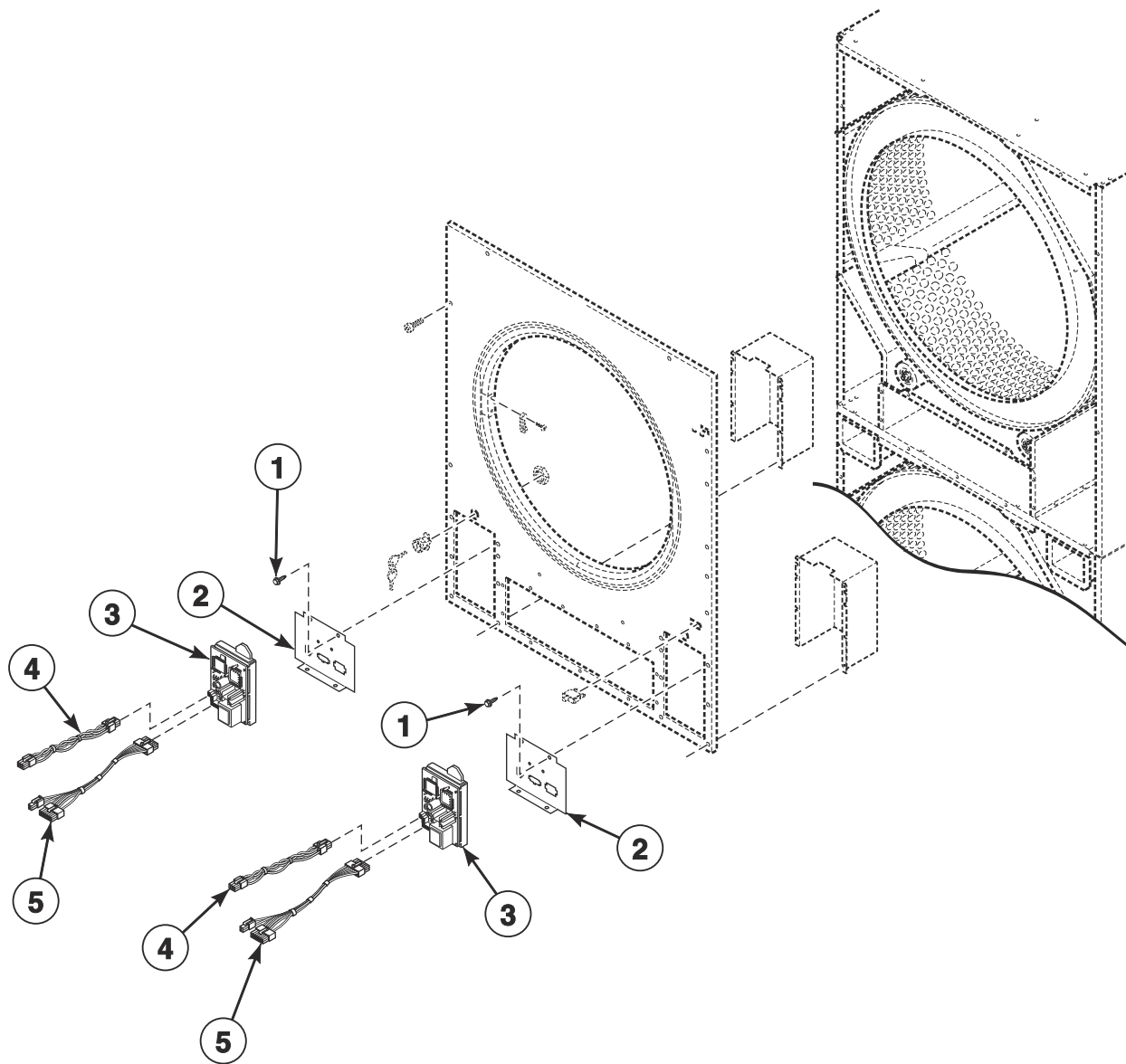
TMB2783P\_70573401

## Card Reader Components for NetMaster Models

REF	PART NO.	DESCRIPTION	COMMENTS
1	70346002P	Main Harness	ZR and ZY control suffixes; Electric models need 55881 Harness Strap
2	70364103	Bypass Harness	Non-CE models
3	70211703P	Jumper Calibration Assembly	
4	70206601	Card Reader Network Harness Assembly	Card reader or network
5	70211801	Card Reader Harness Assembly	
6	70054	Nut	2 required
7	D510068P	Card Reader and Bracket Assembly	
8	70184201	Overlay	Card reader installed
	70235101	Overlay	Card reader ready
	70416301	Overlay	K models; NY control suffix; Upper
	70416401	Overlay	K models; NY control suffix; Bottom
9	70175911	Control Door Assembly	NR control suffix
10	M400003	Pop Rivet	
11	70184501	Latch Mounting Bracket	
12	D501524	Screw	4 required
13	431318	Control Door Latch	
14	D505905P	Control Kit	Includes tape
	D510036P	Membrane Switch	Order to replace touchpad for D510034 Control Assembly in D505905P Control Kit
15	70368001P	Control Panel Harness	KT and ST models
	70315501P	Control Panel Harness	SA models

# Network Board for NetMaster Models

SA and ST Models Through Serial No. 0904004427 with ZC, ZR, ZX and ZY Control Suffixes



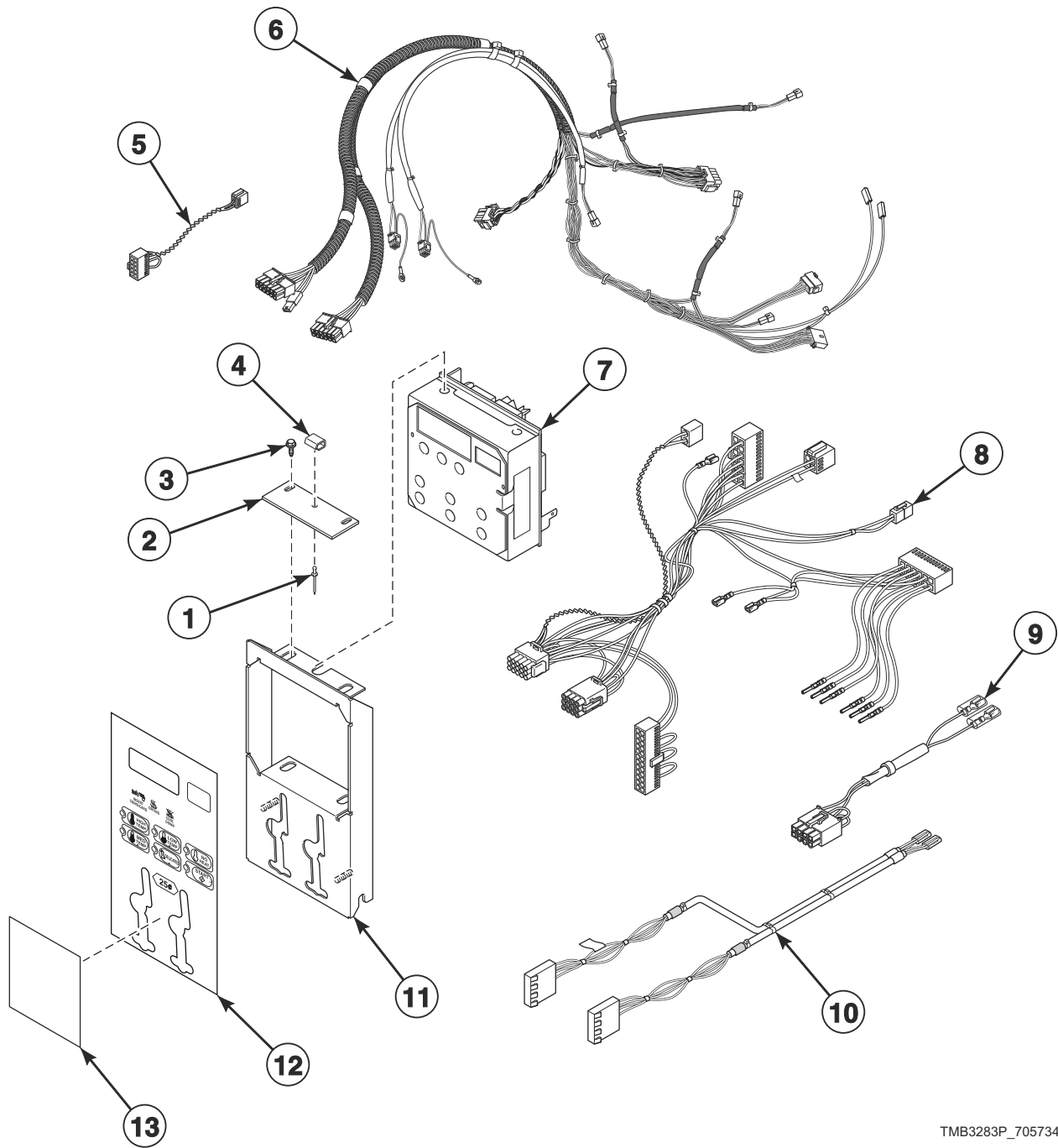
TMB2308P\_70573401

## Network Board for NetMaster Models

REF	PART NO.	DESCRIPTION	COMMENTS
	210157P	Network Board	For desktop PC
	210165	Network Cable	For laptop PC
	210095P	Communication Board	
1	52909	Screw	
2	70307002	Control Housing Cover	
3	210016P	Network Board Assembly	
4	70211101	Communication Harness Assembly	Network board to main harness at control bulkhead
5	800217	Network Wire Harness Assembly	

# Coin Drop Components for Quantum Models

M and S Models with LC, LL, LX, WC, WL and WX Control Suffixes



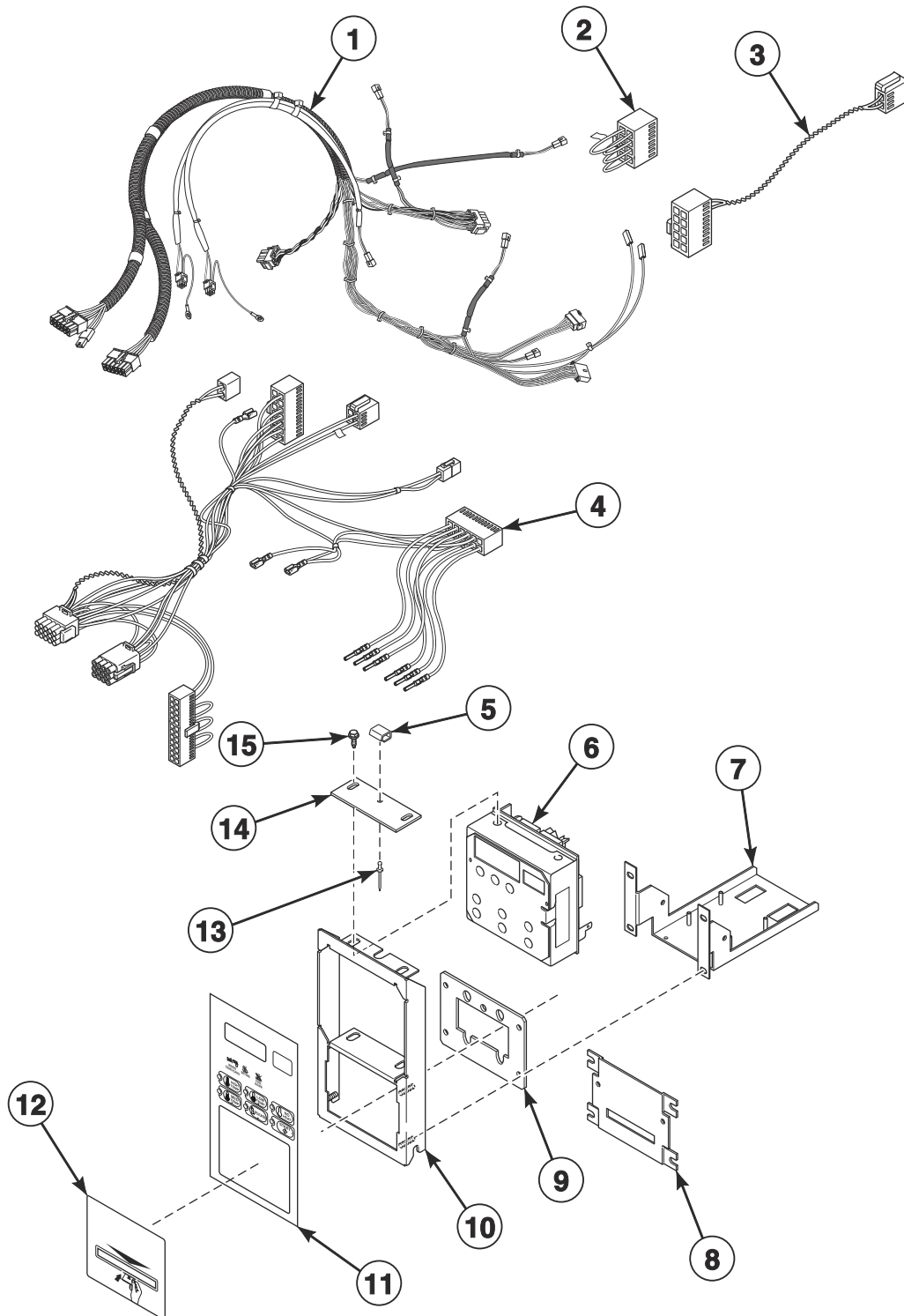
TMB3283P\_70573401

## Coin Drop Components for Quantum Models

REF	PART NO.	DESCRIPTION	COMMENTS
	NK207	Network Retrofit Kit	LC and LX control suffixes; Wired
	NK220	Network Controller Kit	LC and LX control suffixes; Wired
	NK301	Wireless Network Kit	LC and LX control suffixes
	NK320	Ethernet Gateway Kit	LC and LX control suffixes; Wireless
	NK330	USB Gateway Kit	LC and LX control suffixes; Wireless
	203346	USB IR Interface Kit	
	70559502	Control Door Latch Kit	
<b>1</b>	M400003	Pop Rivet	
<b>2</b>	70184501	Latch Mounting Bracket	
<b>3</b>	D501524	Screw	4 required
<b>4</b>	431318	Control Door Latch	
<b>5</b>	70324603	Jumper Calibration Wire	
<b>6</b>	70346001P	Main Harness	LC and LX control suffixes; Electric models need 55881 Harness Strap; Models through 1/15/12
	70346002P	Main Harness	WC and WX control suffixes; Electric models need 55881 Harness Strap; Models through 1/15/12
	70441401	Main Harness	Electric models need 55881 Harness Strap; Models starting 1/16/12
<b>7</b>	70450501P	Control Assembly	Includes tape
<b>8</b>	70410401P	Control Panel Harness	
<b>9</b>	70364104P	Coin Vault Switch Harness	Non-CE models
<b>10</b>	70484501	Central Pay Harness	LL and WL control suffixes
<b>11</b>	70291101P	Control Plate Kit	
<b>12</b>	70449401	Control Overlay	STT45D and M models
	70443401	Control Overlay	Model STT45D; Upper
	70443501	Control Overlay	Model STT45D; Lower
	70410101	Control Overlay	All other models; Single drop
	70410102	Control Overlay	All other models; Dual drop
<b>13</b>	39564	Nameplate	LL and WL control suffixes; Cover

# Card Reader Components for Quantum Models

M and S Models with LY and WY Control Suffixes



TMB3351P\_70573401

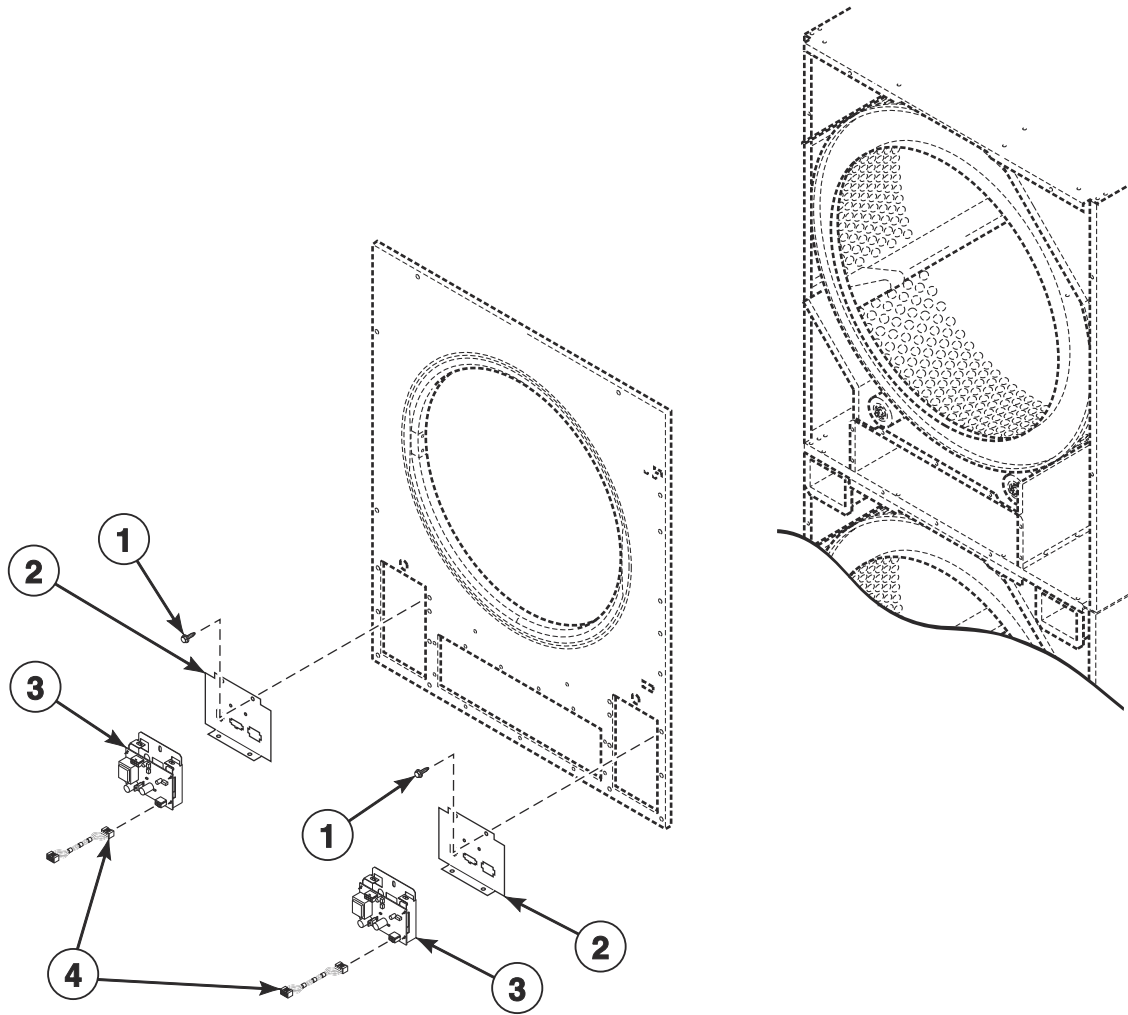


## Card Reader Components for Quantum Models

REF	PART NO.	DESCRIPTION	COMMENTS
	NK207	Network Retrofit Kit	LY control suffix; Wired
	NK220	Network Controller Kit	LY control suffix: Wired
	NK301	Wireless Network Kit	LY control suffix
	NK320	Ethernet Gateway Kit	LY control suffix; Wireless
	NK330	USB Gateway Kit	LY control suffix; Wireless
	203346	USB IR Interface Kit	
<b>1</b>	70346001P	Main Harness	LY control suffix; Electric models need 55881 Harness Strap; Models through 1/15/12
	70346002P	Main Harness	WY control suffix; Electric models need 55881 Harness Strap; Models through 1/15/12
	70441401	Main Harness	Electric models need 55881 Harness Strap; Models starting 1/16/12
<b>2</b>	70364103	Bypass Harness	Non-CE models
<b>3</b>	70324603	Jumper Calibration Wire	
<b>4</b>	70410401P	Control Panel Harness	
<b>5</b>	431318	Control Door Latch	
<b>6</b>	70450501P	Control Assembly	Includes tape
<b>7</b>	70419201	Chassis Mounting Bracket Assembly	
<b>8</b>	44089501	Slot Card Plate Assembly	
<b>9</b>	70208801	Mounting Plate	
<b>10</b>	70497401	Control Door and Studs Assembly	
<b>11</b>	70417601	Control Overlay	English
<b>12</b>	70334201	Card Reader Overlay	
<b>13</b>	M400003	Pop Rivet	
<b>14</b>	70184501	Latch Mounting Bracket	
<b>15</b>	D501524	Screw	4 required

# Network Board

H, M and S Models with WC, WX, WY, ZC, ZX and ZY Control Suffixes



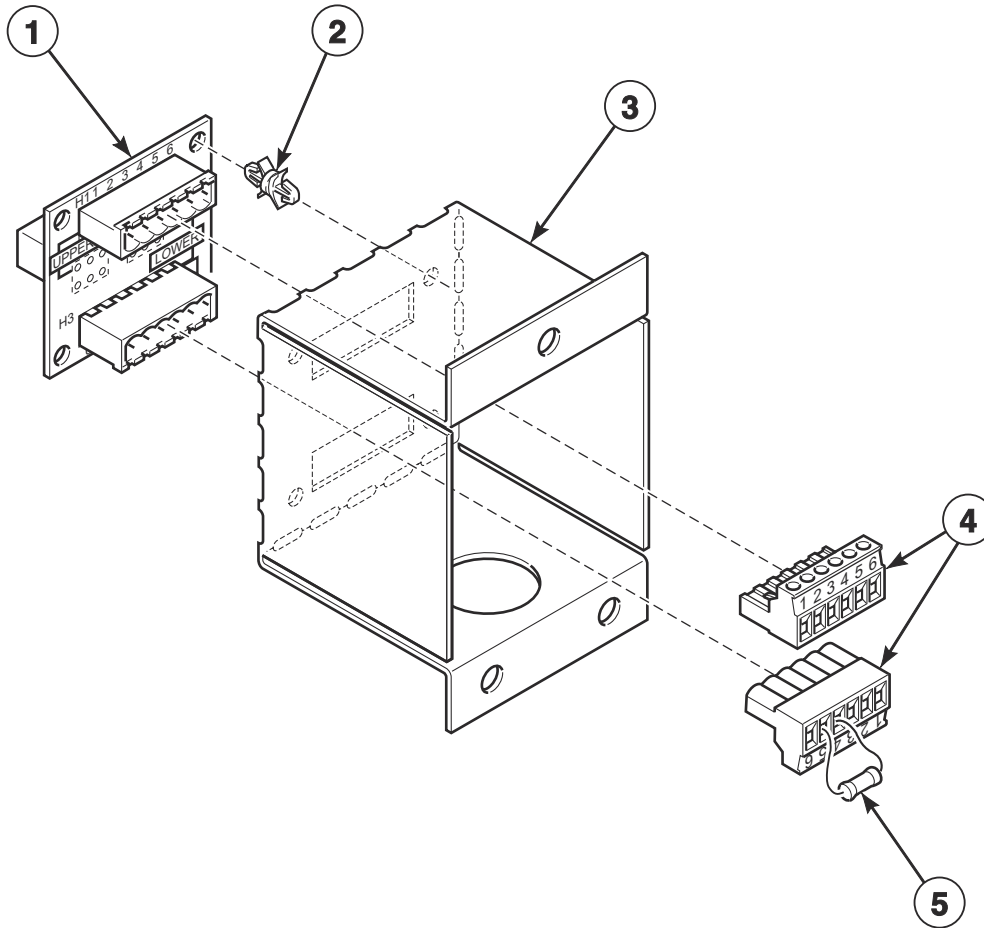
TMB2935P\_70573401

# Network Board

REF	PART NO.	DESCRIPTION	COMMENTS
1	52909	Screw	Wired; M and S models
	D503661	Screw	Wireless
2	70307002	Control Housing Cover	
3	201341	Network Board Assembly	Wired; M and S models
	202335	Wireless Transceiver Assembly	Wireless
4	44088501P	Network Wire Harness Assembly	

# Communication Board

M and S Models with WC, ZC and ZR Control Suffixes



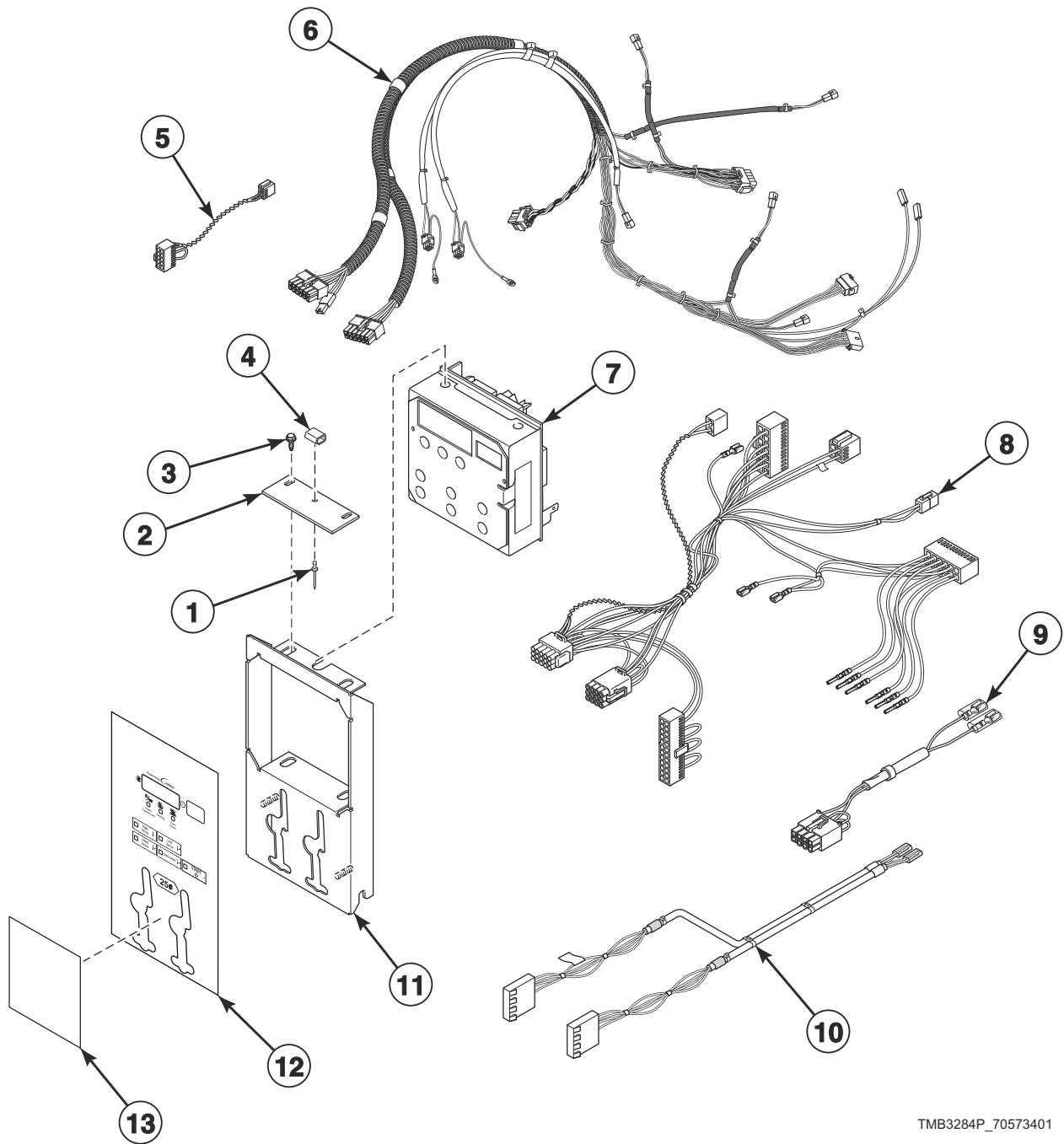
TMB2351P\_70573401

# Communication Board

REF	PART NO.	DESCRIPTION	COMMENTS
1	210097	Communication Board	
2	210098	PC Board Standoff	4 required
3	70323101	Communication Board Bracket	
4	210099	Communication Connector	
5	210162	Terminating Resistor	120 Ohms

# Coin Drop Components for Galaxy 600 Models

H Models with KC, KL, KX, ZC, ZL and ZX Control Suffixes



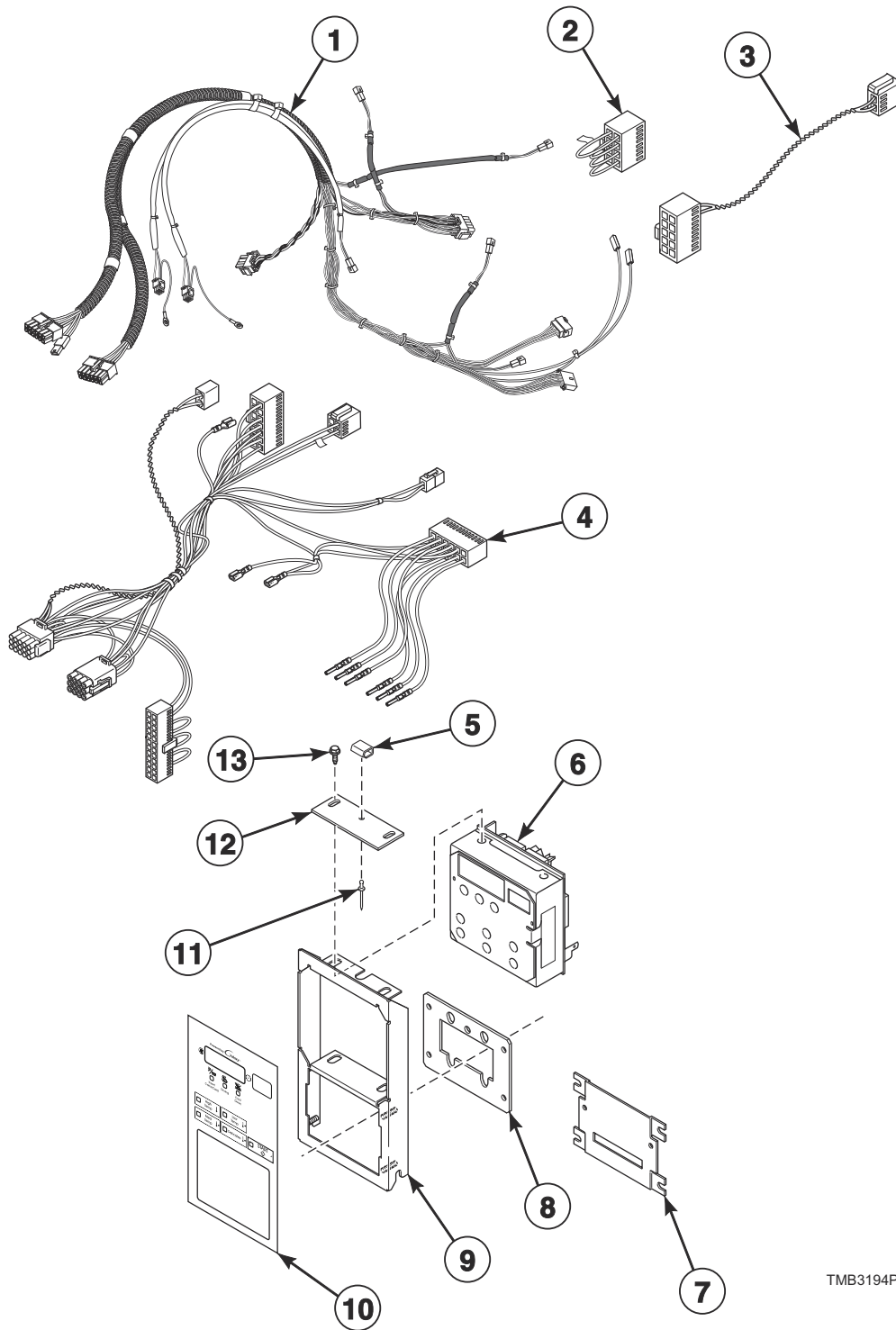
TMB3284P\_70573401

## Coin Drop Components for Galaxy 600 Models

REF	PART NO.	DESCRIPTION	COMMENTS
	NK301	Wireless Network Kit	ZC and ZX control suffixes; Wireless
	NK320	Ethernet Gateway Kit	ZC and ZX control suffixes; Wireless
	203346	USB IR Interface Kit	
	70559502	Control Door Latch Kit	
<b>1</b>	M400003	Pop Rivet	
<b>2</b>	70184501	Latch Mounting Bracket	
<b>3</b>	D501524	Screw	4 required
<b>4</b>	431318	Control Door Latch	
<b>5</b>	70324603	Jumper Calibration Wire	
<b>6</b>	70441401	Main Harness	Electric models need 55881 Harness Strap
<b>7</b>	70450502P	Control Assembly	Includes tape
<b>8</b>	70410401P	Control Panel Harness	
<b>9</b>	70364104P	Coin Vault Switch Harness	Non-CE models
<b>10</b>	70484501	Central Pay Harness	KL and ZL control suffixes
<b>11</b>	70291201P	Control Plate Kit	
<b>12</b>	70472101	Control Overlay	Single drop
	70472102	Control Overlay	Dual drop
<b>13</b>	70246301	Coin Cover Overlay	KL and ZL control suffixes; Cover

# Card Reader Components for Galaxy 600 Models

H Models with KY and ZY Control Suffixes



TMB3194P\_70573401

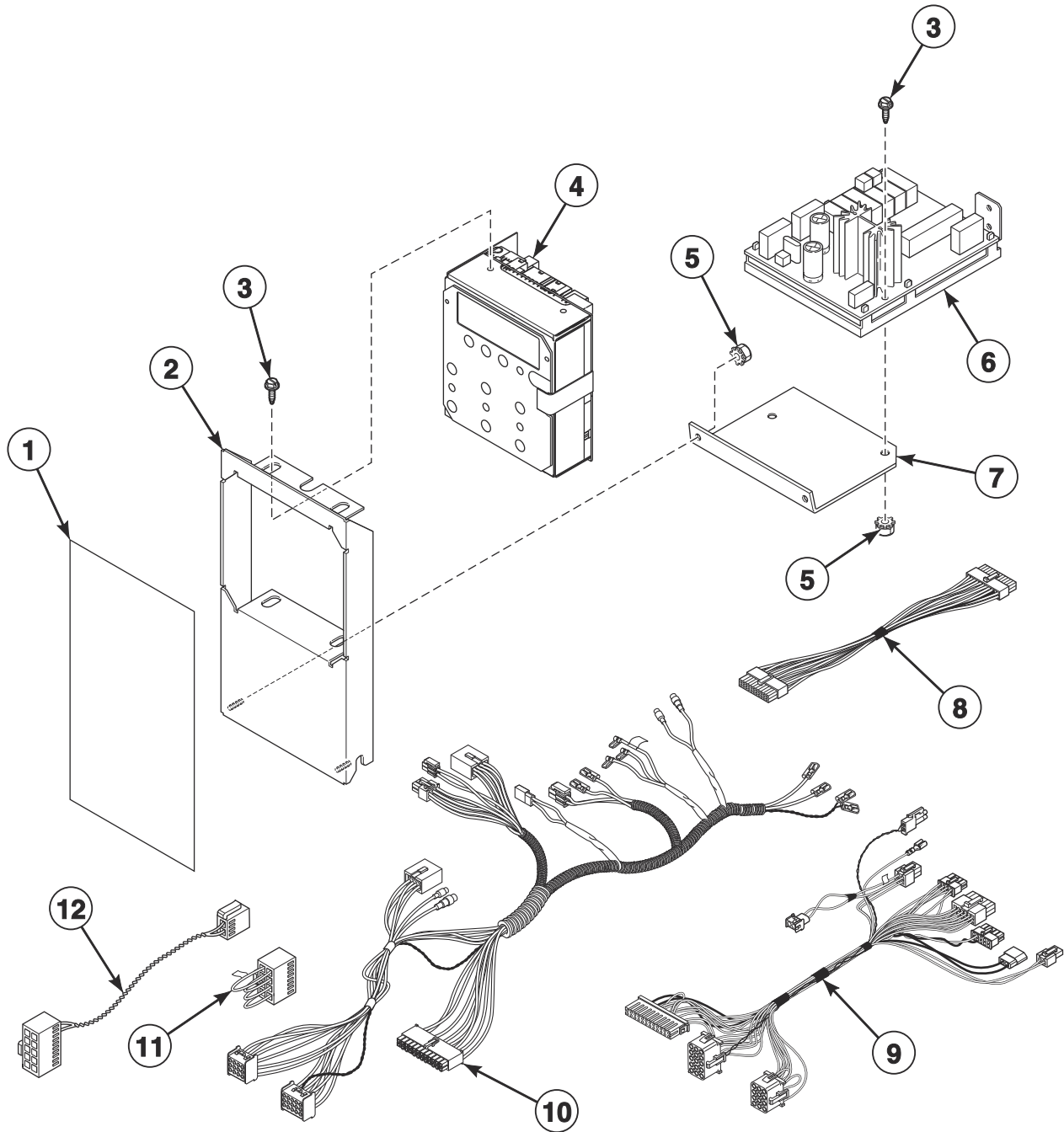


## Card Reader Components for Galaxy 600 Models

REF	PART NO.	DESCRIPTION	COMMENTS
	NK301	Wireless Network Kit	ZY control suffix; Wireless
	NK320	Ethernet Gateway Kit	ZY control suffix; Wireless
	203346	USB IR Interface Kit	
<b>1</b>	70441401	Main Harness	Electric models need 55881 Harness Strap
<b>2</b>	70364103	Bypass Harness	Non-CE models
<b>3</b>	70324603	Jumper Calibration Wire	
<b>4</b>	70410401P	Control Panel Harness	
<b>5</b>	431318	Control Door Latch	
<b>6</b>	70450502P	Control Assembly	Includes tape
<b>7</b>	44089501	Slot Card Plate Assembly	
<b>8</b>	70208801	Mounting Plate	
<b>9</b>	70498401	Control Door and Studs Assembly	
<b>10</b>	70472901	Control Overlay	
<b>11</b>	M400003	Pop Rivet	
<b>12</b>	70184501	Latch Mounting Bracket	
<b>13</b>	D501524	Screw	4 required

# LED OPL Control

B, C, H, I, N, S and U Models  
G, K, L and P Models Starting 1/16/12  
Models with EO Control Suffix

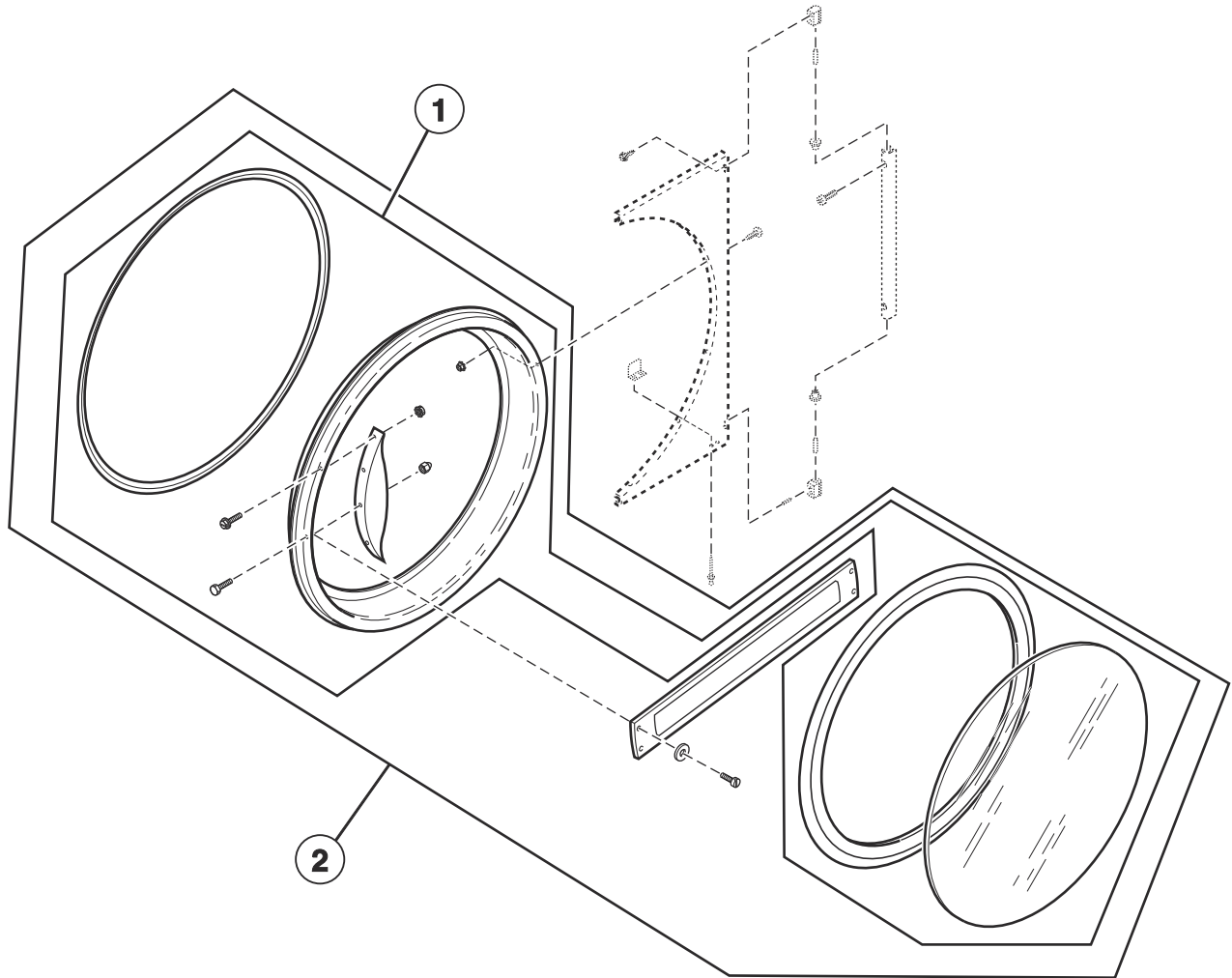


TMB3314P\_70573401

# LED OPL Control

REF	PART NO.	DESCRIPTION	COMMENTS
	203346	USB IR Interface Kit	
<b>1</b>	70467102	Overlay	S models
	70445102	Overlay	H models
	70466702	Overlay	B, C and I models; Models through 7/14/14
	70505001	Overlay	B, C and I models; Models starting 7/15/14
	70462801	Overlay	U models; Models through 8/17/14
	70493801	Overlay	U models; Models starting 8/18/14
	70463002	Overlay	G and K models
	70472502	Overlay	P models; Models through 9/30/14
	70509101	Overlay	L and P models; Models starting 10/1/14 through 5/31/15
	70472302	Overlay	N models; L models through 9/30/14
	70525901	Overlay	L and P models starting 6/1/15
<b>2</b>	70441001	Control Door and Studs Assembly	B, C, I, N, S and U models
	70441101	Control Door and Studs Assembly	H models
<b>3</b>	D501524	Screw	
<b>4</b>	70454101P	Control Assembly	H, S and U models; L and P models starting 6/1/15
	70437102P	Control Assembly	B, C and I models; Models through 7/14/14
	70503702P	Control Assembly	B, C and I models; Models starting 7/15/14
	70437103P	Control Assembly	P models through 5/31/15; L models starting 10/1/14 through 5/31/15
	70437104P	Control Assembly	G and K models
	70437105P	Control Assembly	N models; L models through 9/30/14
<b>5</b>	70054	Nut	
<b>6</b>	70434101P	Control Assembly	
<b>7</b>	44223101	Output Bracket	
<b>8</b>	44186101	Output Harness	Use between item 4 and item 6
<b>9</b>	44240301	Control Panel Harness	Goes from item 4 to main harness
<b>10</b>	70441401	Main Harness	
<b>11</b>	70364103	Bypass Harness	Non-CE models
<b>12</b>	70324603	Jumper Calibration Wire	

# Door Assemblies

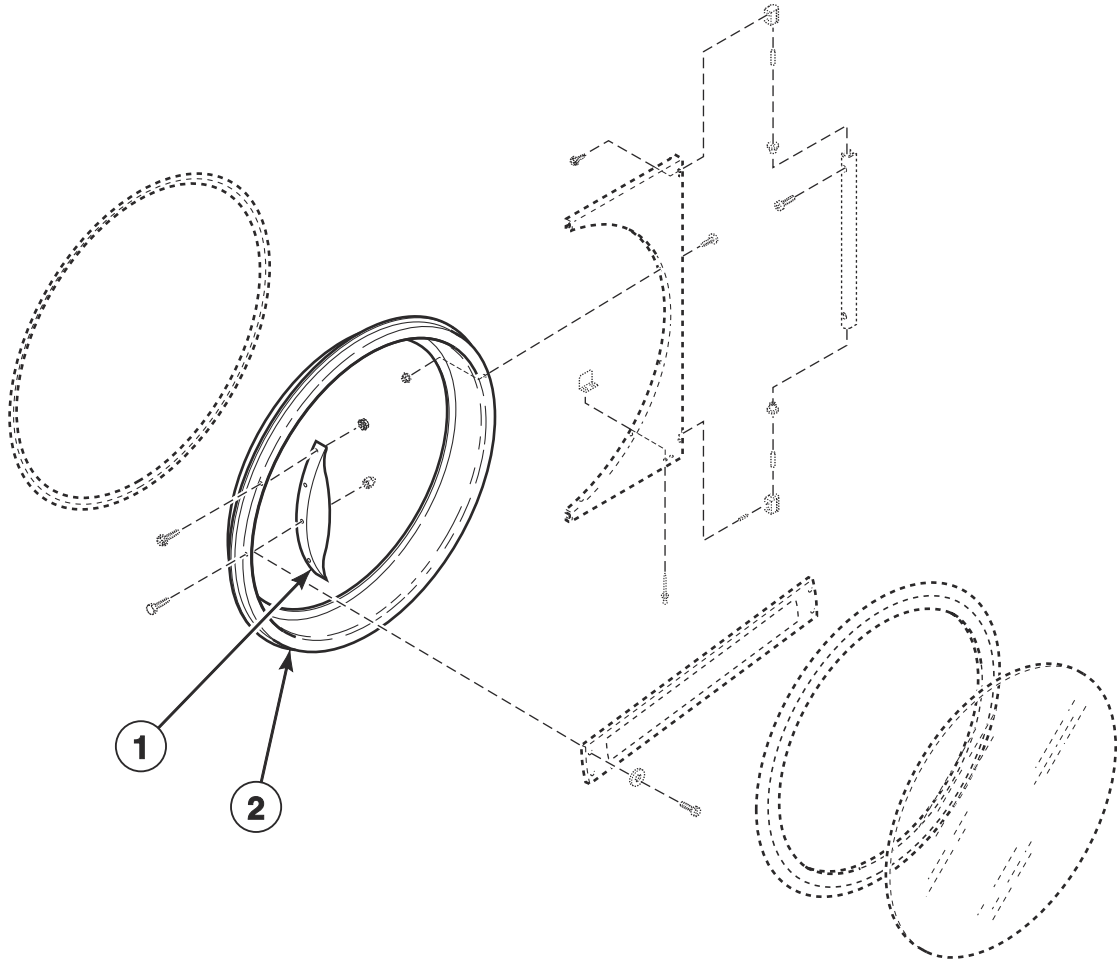


TMB3086P\_70573401

## Door Assemblies

REF	PART NO.	DESCRIPTION	COMMENTS
1	44058102P	Door Assembly	H models; Includes items listed on <i>Door Ring and Handle</i> and <i>Door Components</i> pages
	44058104P	Door Assembly	H models; Chrome option; Includes items listed on <i>Door Ring and Handle</i> and <i>Door Components</i> pages
	44028905P	Door Assembly	S models; Chrome option; Includes items listed on <i>Door Ring and Handle</i> and <i>Door Components</i> pages
	44266702P	Door Assembly	U models; Chrome option; Includes items listed on <i>Door Ring and Handle</i> and <i>Door Components</i> pages
	44028902P	Door Assembly	M, N, S and U models; Includes items listed on <i>Door Ring and Handle</i> and <i>Door Components</i> pages
	44112101	Door Assembly	B, C and I models; Models through 7/31/11; Includes items listed on <i>Door Ring and Handle</i> and <i>Door Components</i> pages
	44028903	Door Assembly	B, C and I models starting 8/1/11; N and S models; Includes black door ring; Includes items listed on <i>Door Ring and Handle</i> and <i>Door Components</i> pages
	44029101	Door Assembly	P models through 9/30/14; Includes items listed on <i>Door Ring and Handle</i> and <i>Door Components</i> pages
	44292301LG	Door Assembly	P models starting 10/1/14; L models starting 1/29/15; Includes items listed on <i>Door Ring and Handle</i> and <i>Door Components</i> pages
	44292301B	Door Assembly	P models starting 7/5/16; Use with stainless steel front panel; Includes items listed on <i>Door Ring and Handle</i> and <i>Door Components</i> pages
2	70407401	Door Assembly	K models; Includes door ring and straight handle bar

# Door Ring and Handle

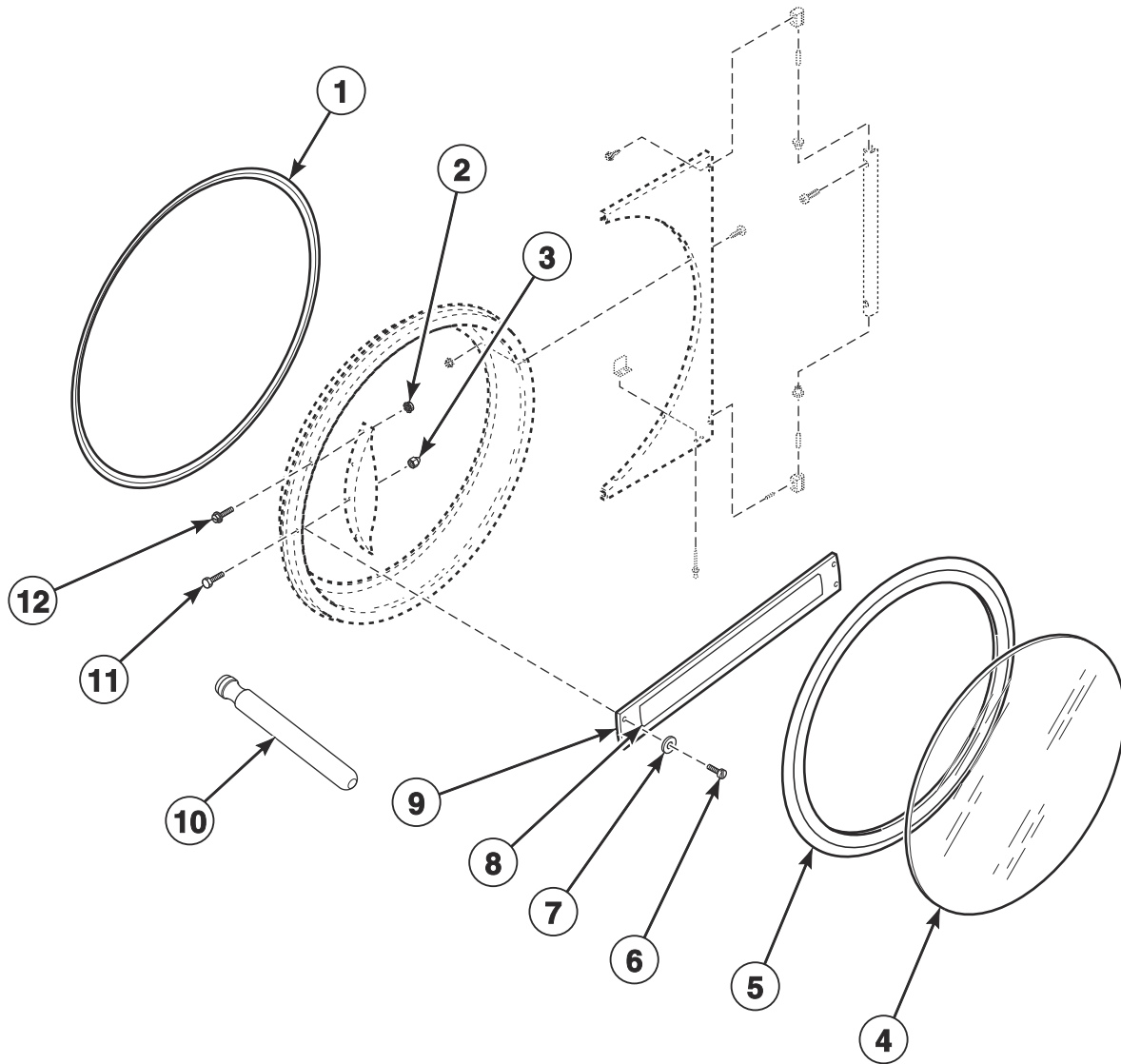


TMB3086PA\_70573401

## Door Ring and Handle

REF	PART NO.	DESCRIPTION	COMMENTS
1	44007901	Door Handle	M, N and S models; U models through 8/17/14
	44057702	Door Handle	H models
	44111901	Door Handle	B, C and I models
	44263801	Door Handle	U models; Models starting 8/18/14
2	44112001	Door Ring and Handle Assembly	C and I models; Models through 7/31/11
	44326004B	Door Ring Assembly	B, C and I models starting 8/1/11; S models without stainless steel front panel
	44028902P	Door Assembly	H, M, N and S models; P models through 9/30/14; U models through 8/17/14
	44326002	Door Ring Assembly	U models; Models starting 8/18/14
	44326005	Door Ring Assembly	H and S models; Chrome option
	44326006	Door Ring Assembly	U models; Chrome option
	44326003B	Door Ring Assembly	G and K models
	44326007LG	Door Ring and Handle Assembly	P models starting 10/1/14; L models starting 1/29/15
	44326007B	Door Ring and Handle Assembly	P models starting 7/5/16; Use with stainless steel and white front panel
	44326004HG	Door Ring Assembly	H and U models without stainless steel front panel

# Door Components



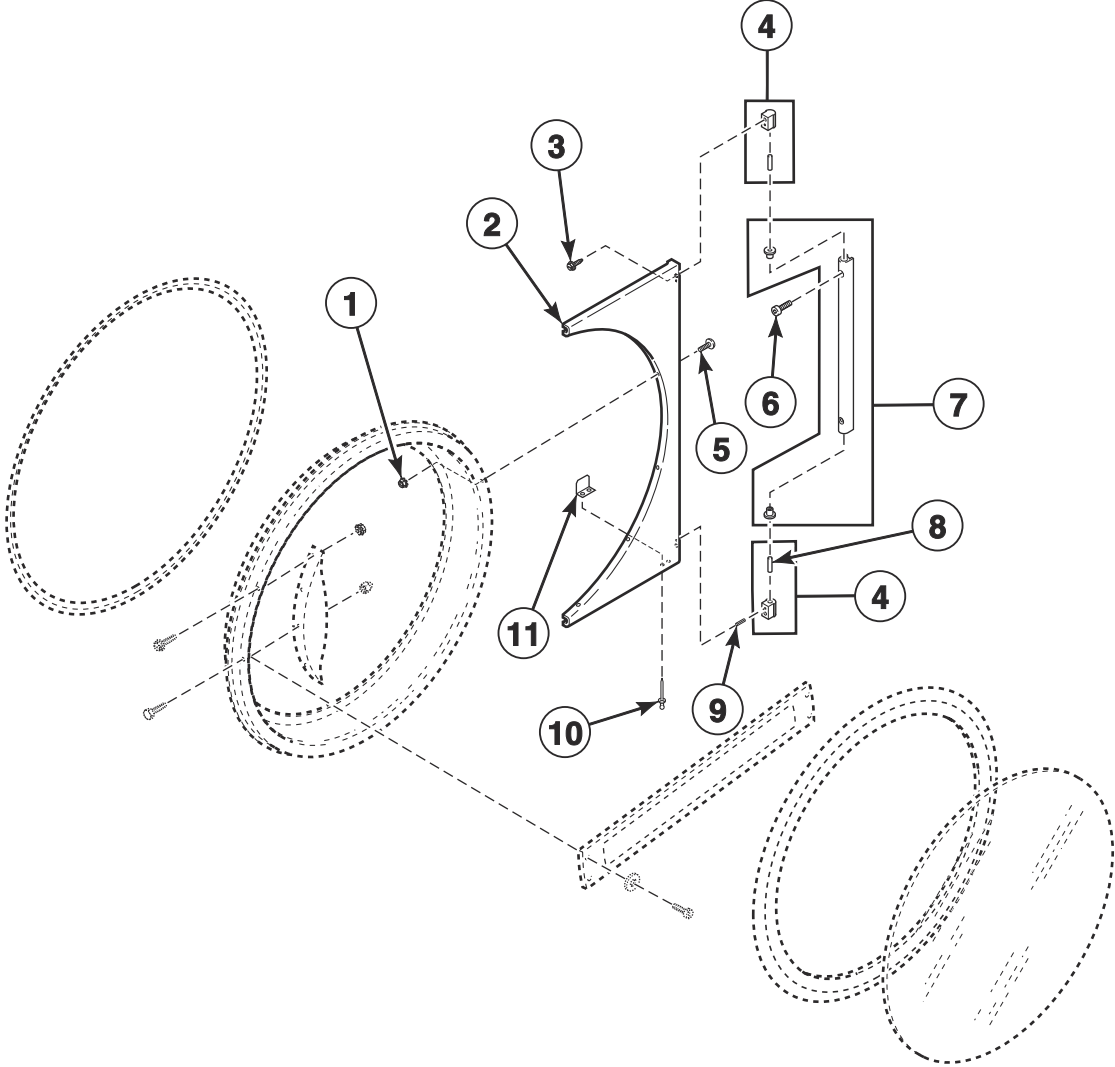
TMB3393P\_70573401



## Door Components

REF	PART NO.	DESCRIPTION	COMMENTS
1	44008201P	Door Ring Gasket	
2	44088001	Nut	
3	M414215	Nut	Door strike
4	44008402P	Door Glass	H models; Use Loctite 414 or equivalent adhesive to attach to item 5
	44008401P	Door Glass	All other models; Use Loctite 414 or equivalent adhesive to attach to item 5
5	70211902P	Door Seal Kit	Use Loctite 414 for seal
6	70412601	Pop Rivet	G and K models; Attaches door handle to door ring
7	70409301	Washer	G and K models
8	70411401	Nameplate Overlay	G models; Coin
	44144401	Nameplate Overlay	K models; Coin
9	70399501B	Handle Bar	G and K models
10	M4221P4	Door Glass Installation Tool	
11	M400661	Screw	Door strike
12	430756	Screw	2 required for left side of door handle for L models
	70442101	Screw	M, N, S and U models
	70126301	Pop Rivet	G and K models; 4 required
	61199	Screw	H models

# Door Hinge Components



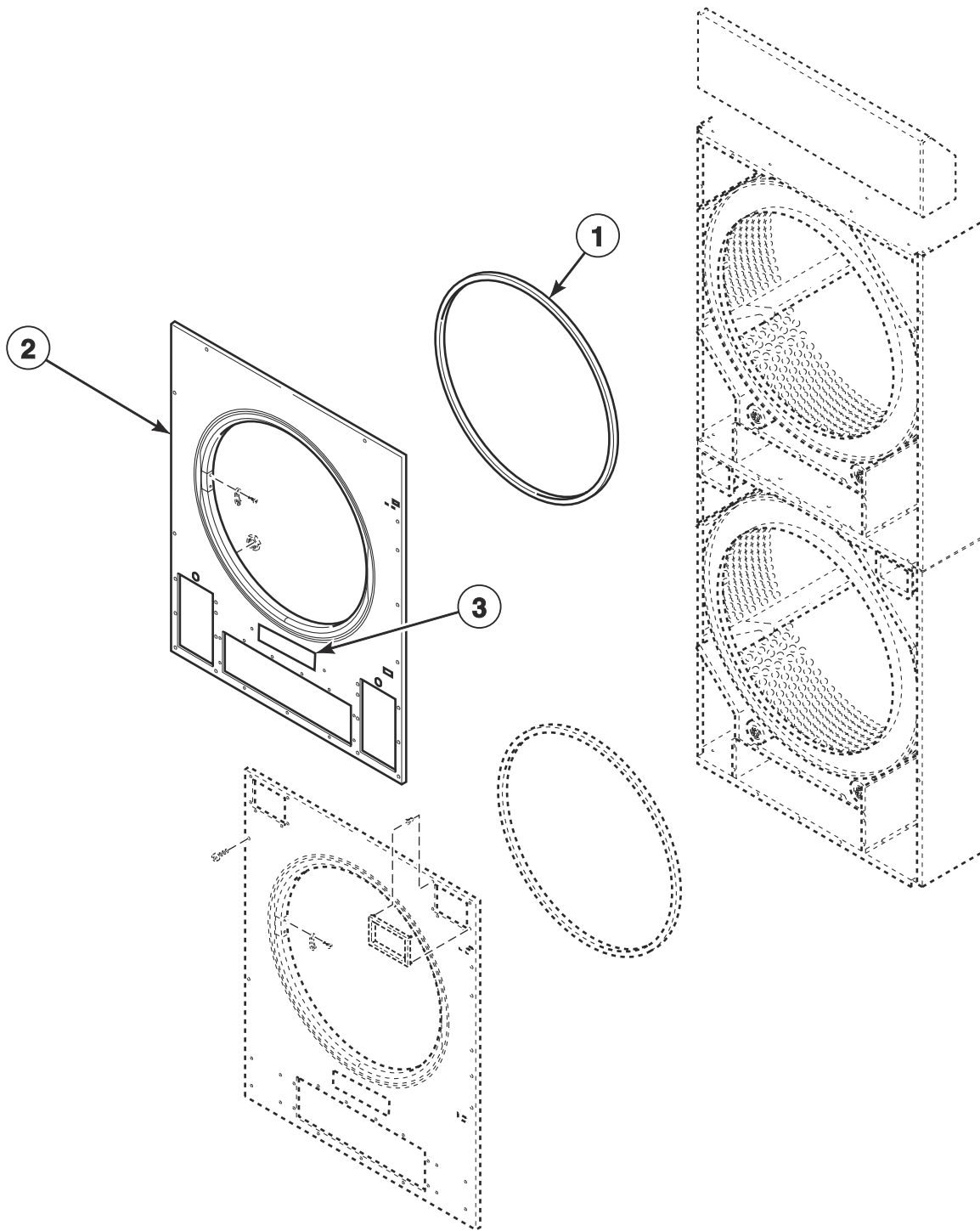
TMB3086PC\_70573401

# Door Hinge Components

REF	PART NO.	DESCRIPTION	COMMENTS
1	23951	Nut	
2	44075209B	Door Hinge Assembly	Black; G and K models; B and I models starting 8/1/11; P models through 9/30/14; P models starting 7/1/17 with white front panel and starting 7/5/16 with stainless steel front panel
	44075205*	Door Hinge Assembly	H, M, N, S and U models; P models through 9/30/14; C models starting 8/1/11
	44075206	Door Hinge Assembly	C, H, M, S and U models through 3/31/15; I models through 7/31/11; Stainless steel
	44075212	Door Hinge Assembly	H, M, S and U models starting 4/1/15; Stainless steel
	44075209LG	Door Hinge Assembly	U models starting 8/18/14; P models starting 10/1/14; L models starting 1/29/15; Light gray
3	70442101	Screw	
4	M4773P3	Cam and Hinge Kit	Black; G and K models; B and I models starting 8/1/11; P models starting 7/1/17 with white front panel and starting 7/5/16 with stainless steel front panel
	M4772P3	Cam and Hinge Kit	C, H, L, M, N, P, S and U models; I models through 7/31/11
5	44349101	Screw	
6	70407301	Screw	Black; G and K models; B and I models starting 8/1/11; P models starting 7/1/17 with white front panel and starting 7/5/16 with stainless steel front panel
	70033502	Screw	C, H, L, M, N, P, S and U models; I models through 7/31/11
7	44035002	Door Hinge Lug Assembly	Black; G and K models; B and I models starting 8/1/11; P models starting 7/1/17 with white front panel and starting 7/5/16 with stainless steel front panel
	44035001	Door Hinge Lug Assembly	C, H, L, M, N, P, S and U models; I models through 7/31/11
8	70071401	Pin	
9	70071401	Pin	
10	70058501	Pop Rivet	
11	70215001P	Door Switch Actuator Kit	

\* Add Letter To Designate Color. L - Almond Q - Bisque W - White

# Upper Front Panel Assemblies and False Fronts



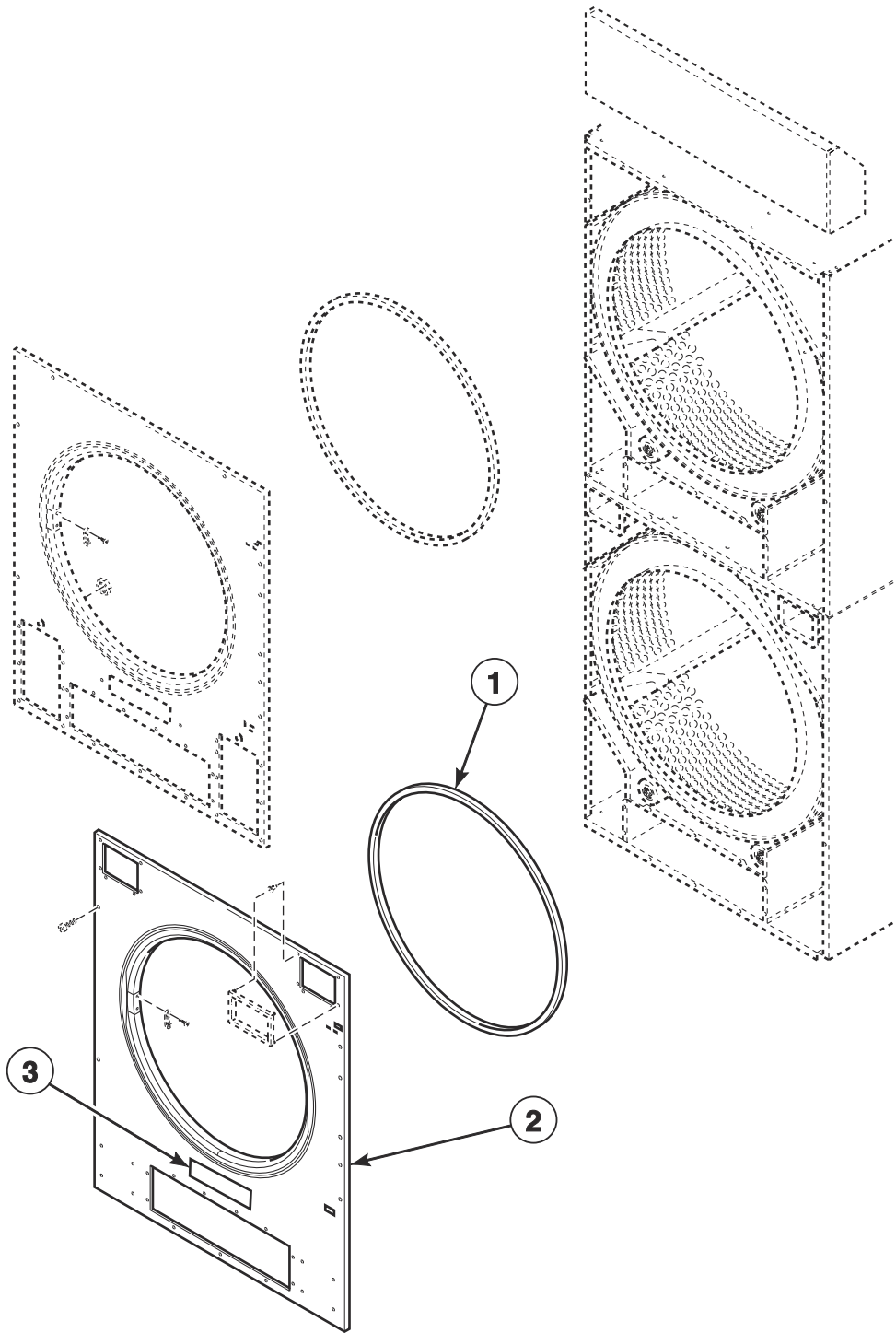
TMB3161P\_70573401

## Upper Front Panel Assemblies and False Fronts

REF	PART NO.	DESCRIPTION	COMMENTS
	70399406	Access Panel Trim	G and K models
<b>1</b>	70173402	Front Cylinder Seal	Requires 511637P Adhesive
<b>2</b>	70391501*P	Upper Front Panel Assembly	B, C, G, H, I, K, M, N and S models; U models through 8/17/14; P models starting 7/1/17 with white front panel
	70391502P	Upper Front Panel Assembly	B, C, G, H, I, K, M and N models through 3/31/15; U models through 8/17/14; Stainless steel
	70391504	Upper Front Panel Assembly	B, G, H, I, K, M and P models starting 4/1/15; Stainless steel
	70304004LG	Upper Front Panel Assembly	U models; Models starting 8/18/14; Light gray
	70304006W	Upper Front Panel Assembly	U models; Models starting 8/18/14; White
	70304007	Upper Front Panel Assembly	U models; Models starting 8/18/14 through 3/31/15; Stainless steel
	70532901	Upper Front Panel	U models; Models starting 4/1/15; Stainless steel
	70391503P	Upper Front Panel Assembly	S models through 3/31/15; Stainless steel
	70391505	Upper Front Panel Assembly	S models; Models starting 4/1/15; Stainless steel
	70304005DG	Upper Front Panel	L and P models; Dark gray
<b>3</b>	70418101	Instruction Label	Card models

\* Add Letter To Designate Color. L - Almond Q - Bisque W - White

# Lower Front Panel Assemblies



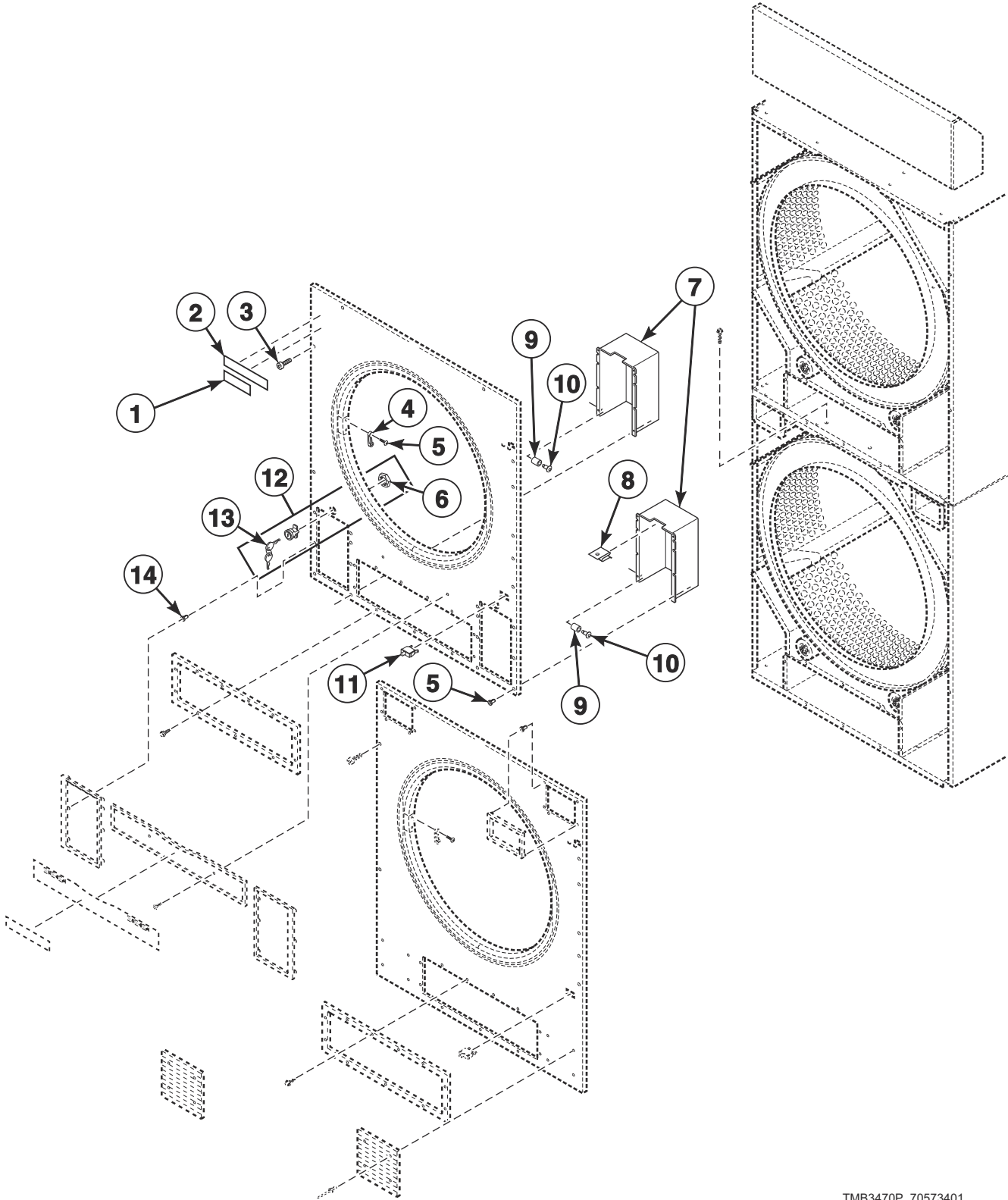
TMB3161PA\_70573401

## Lower Front Panel Assemblies

REF	PART NO.	DESCRIPTION	COMMENTS
	70399406	Access Panel Trim	G and K models
<b>1</b>	70173402	Front Cylinder Seal	Requires 511637P Adhesive
<b>2</b>	70391401*P	Lower Front Panel Assembly	All models except U models; P models starting 7/1/17; Coin
	70391402P	Lower Front Panel Assembly	All models except P and U models through 3/31/15; Coin; Stainless steel
	70391405	Lower Front Panel	All models except L, N and U models starting 4/1/15; P models starting 7/1/17; Coin; Stainless steel
	70391403*P	Lower Front Panel Assembly	All models except P models; OPL and card
	70391404P	Lower Front Panel Assembly	All models except P models through 3/31/15; OPL and card; Stainless steel
	70391406	Lower Front Panel	All models except L, N and U models starting 4/1/15; P models starting 7/1/17; OPL and card; Stainless steel
	70303909LG	Lower Front Panel	U non-CE models; OPL; Light gray
	70303910LG	Lower Front Panel	U CE models; OPL; Light gray
	70303909DG	Lower Front Panel	L and P non-CE models; OPL and card; Dark gray
	70303910DG	Lower Front Panel	L and P CE models; OPL and card; Dark gray
	70303911DG	Lower Front Panel	L and P models; Coin; Dark gray
<b>3</b>	70418101	Instruction Label	Card

\* Add Letter To Designate Color. L - Almond Q - Bisque W - White

# Upper Cabinet Front Components (Drawing 1 of 2)



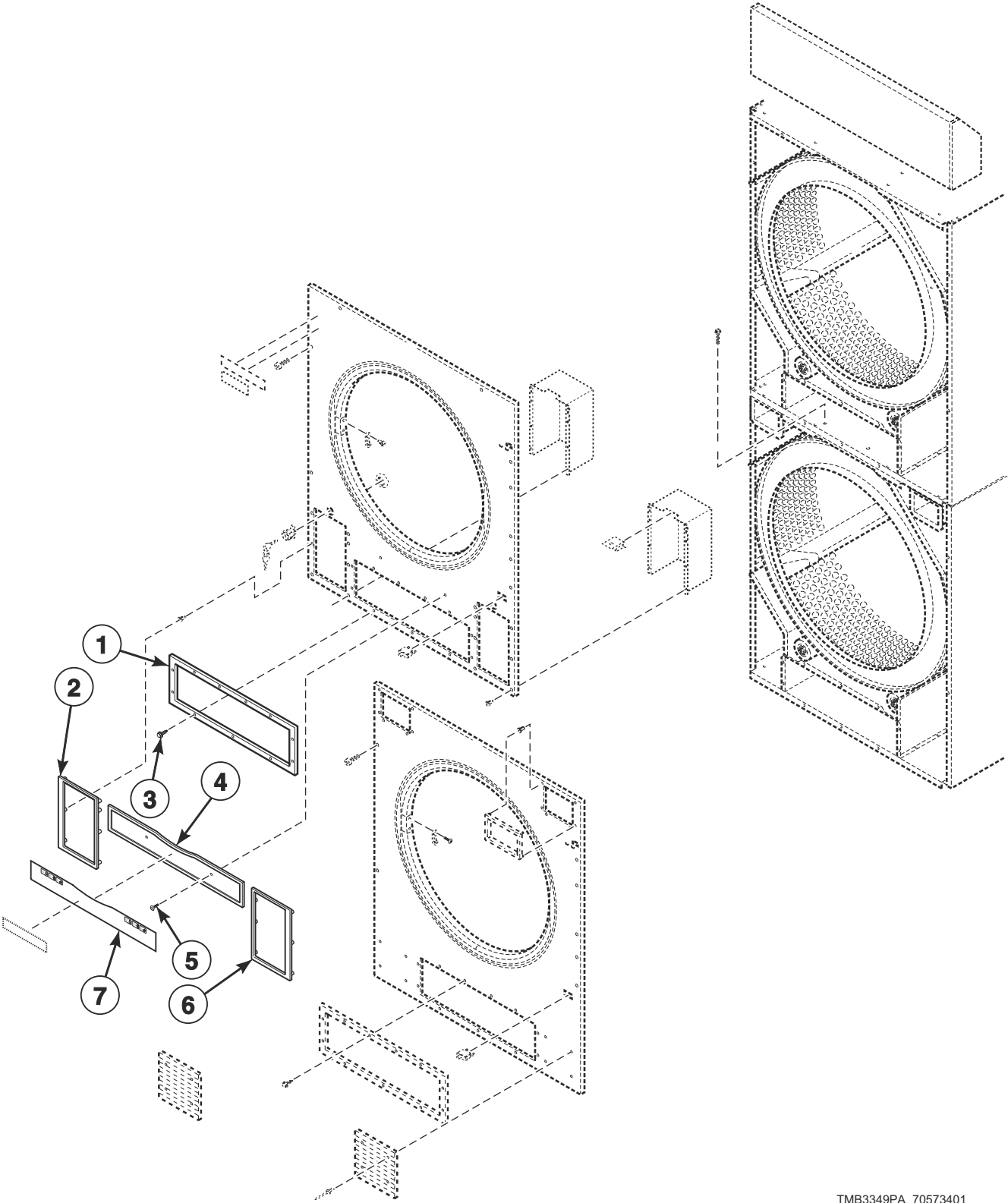
TMB3470P\_70573401



## Upper Cabinet Front Components (Drawing 1 of 2)

REF	PART NO.	DESCRIPTION	COMMENTS
	70017301	Front Panel Baffle Seal	2 required
	70534301	Warning Label	
<b>1</b>	44129908	Nameplate	C models
	70286602	Label	B models through 7/8/12
	70289802	Label	I models through 7/8/12
<b>2</b>	44062901	Nameplate	C models
	44046801	Nameplate	B and I models through 7/9/12
	B12389801	Nameplate	B and I models starting 7/10/12
	70414001	Label	G and K models; Coin
<b>3</b>	70033502	Screw	For painted front panels
	70182601	Screw	For stainless steel front panels
<b>4</b>	M401223	Door Latch	
<b>5</b>	M400003	Pop Rivet	2 required for item 4; 4 required for item 8
<b>6</b>	44088801	Nut	Panel lock
<b>7</b>	70119901	Control Housing	
<b>8</b>	M406494	Panel Clip	2 required per control housing
<b>9</b>	431264	Spacer	2 required
<b>10</b>	44251101	Pop Rivet	2 required
<b>11</b>	70413301	Pushbutton Switch	Door switch
<b>12</b>	44089301P	Lock, Key and Nut Kit	RL001
<b>13</b>	70155601	Key	RL001
<b>14</b>	M400972	Shadow Box Clip	6 required per coin vault trim

# Upper Cabinet Front Components (Drawing 2 of 2)

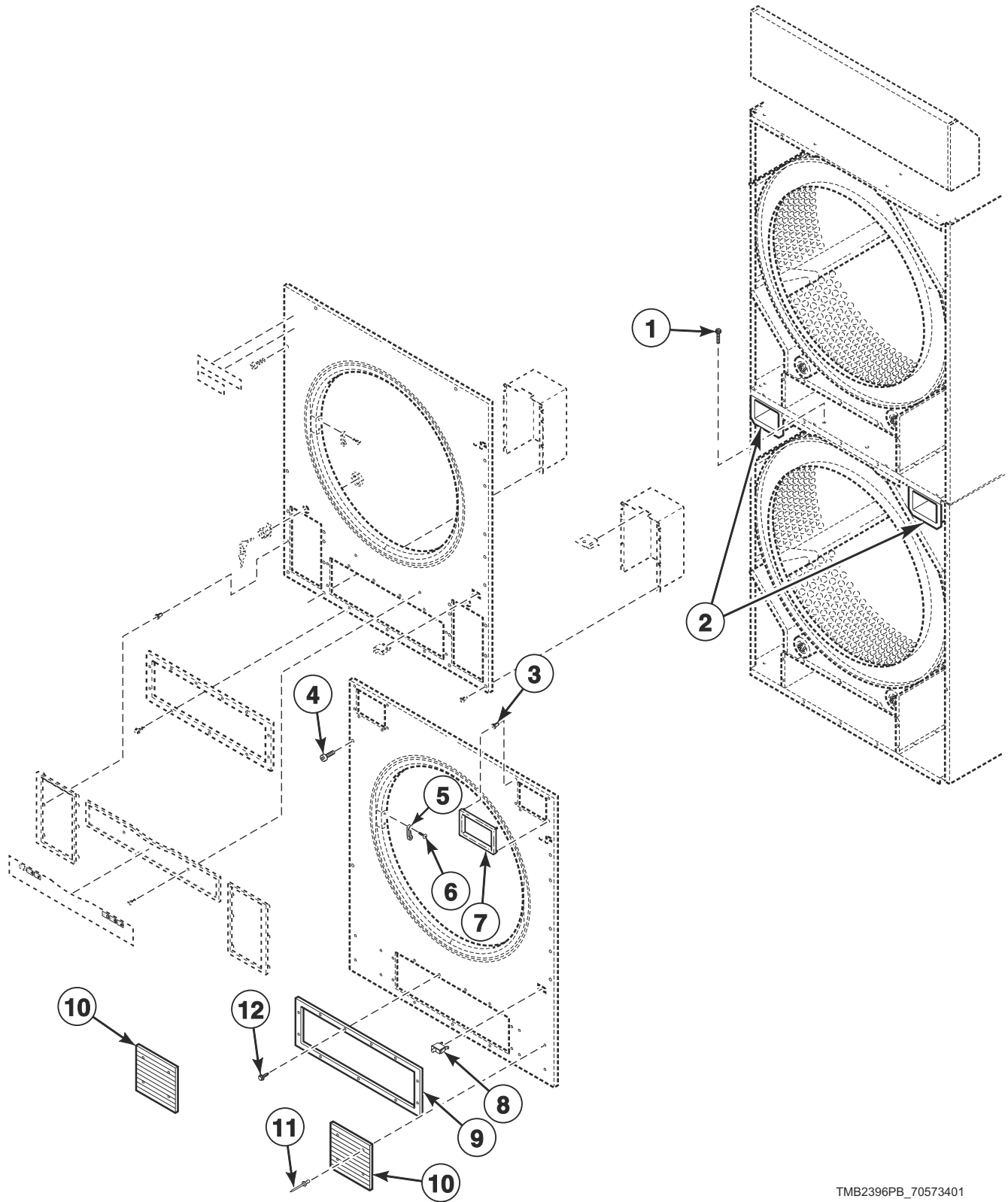


TMB3349PA\_70573401

## Upper Cabinet Front Components (Drawing 2 of 2)

REF	PART NO.	DESCRIPTION	COMMENTS
	70017301	Front Panel Baffle Seal	2 required
	70534301	Warning Label	
<b>1</b>	70300201P	Lint Drawer Gasket	
<b>2</b>	70117001	Control Trim	NTT45N_SERIAL_THROUGH_0904 and H models; Gray; Left
	70116904	Control Trim	U models; Models starting 8/18/14; Gray; Left
	70116902	Control Trim	U models through 8/17/14; All other models; Black; Left
<b>3</b>	70275801	Screw	8 required
<b>4</b>	70299601	Center Trim	L, N, P and S models; Center
<b>5</b>	M405188	Screw	N, S and U models; 2 required
<b>6</b>	70117001	Control Trim	NTT45N_SERIAL_THROUGH_0904 and H models; Gray; Right
	70116903	Control Trim	U models; Models starting 8/18/14; Gray; Right
	70116901	Control Trim	U models through 8/17/14; All other models; Black; Right
<b>7</b>	70299701	Center Trim Overlay	N and S models; Coin
	70362701	Overlay	N and S models; Card
	70362301	Overlay	N and S models; U models through 8/17/14; Blank
	70509301	Overlay	P models starting 10/1/14; L models; Coin
	70509501	Overlay	P models starting 10/1/14; L models; OPL

# Lower Cabinet Front Components

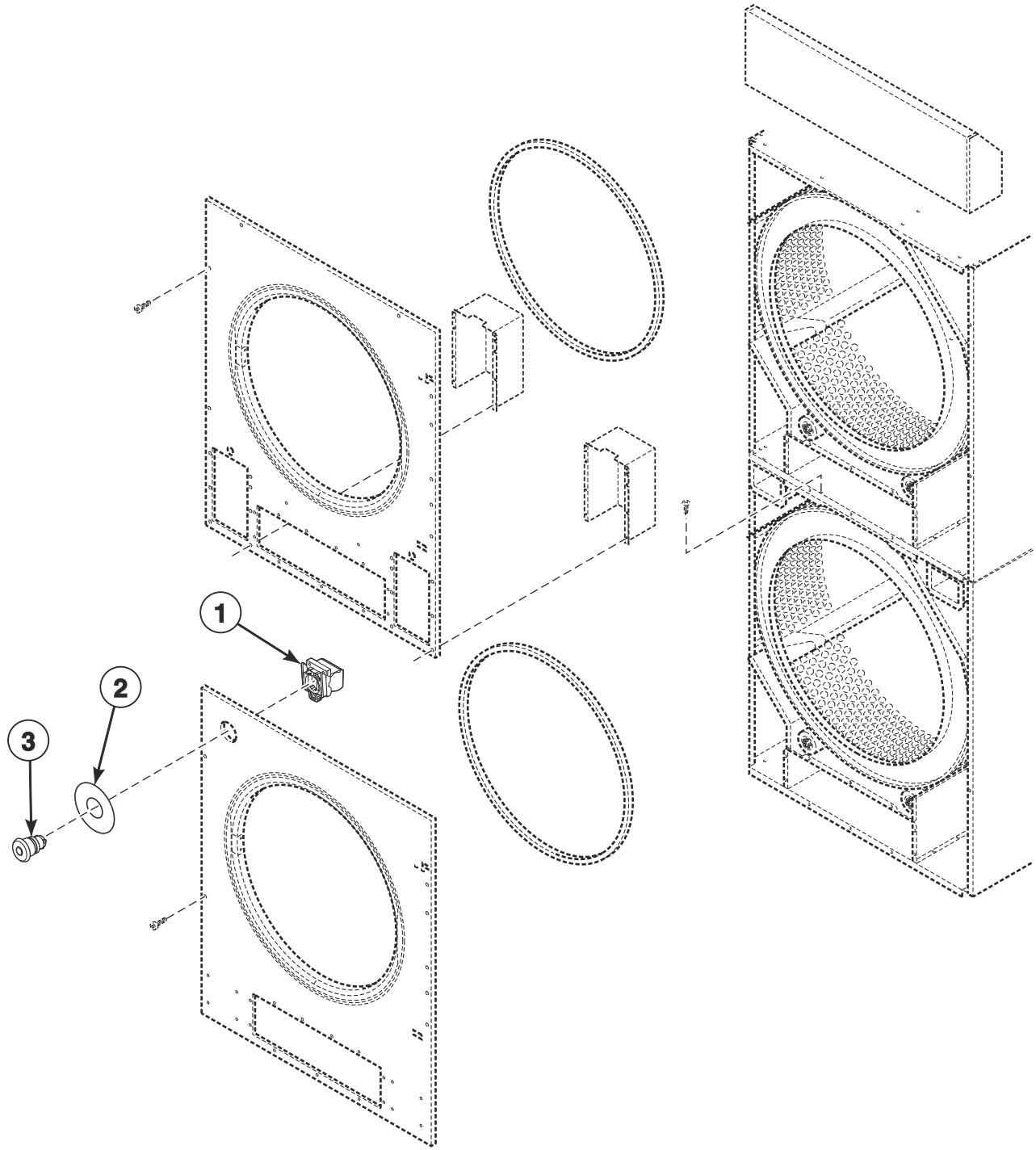


TMB2396PB\_70573401

## Lower Cabinet Front Components

REF	PART NO.	DESCRIPTION	COMMENTS
	M4379P4	Tumbler Dolly Kit	
	70534301	Warning Label	
	70449001	Base Harness	
	70017301	Front Panel Baffle Seal	2 required
<b>1</b>	70069901	Screw	
<b>2</b>	70180101	Coin Vault Assembly	
<b>3</b>	M400972	Shadow Box Clip	6 required per coin vault trim
<b>4</b>	70033502	Screw	For painted front panels
	70182601	Screw	For stainless steel front panels
<b>5</b>	M401223	Door Latch	
<b>6</b>	44166601	Pop Rivet	2 required per latch; 4 required per control housing
<b>7</b>	70117501	Coin Vault Trim	NTT45N_SERIAL_THROUGH_0904 and H models; Gray
	70117502	Coin Vault Trim	All other models except U models; Black
<b>8</b>	70413301	Pushbutton Switch	Door switch
<b>9</b>	70300201P	Lint Drawer Gasket	
<b>10</b>	70117606	Kickplate	NTT45N_SERIAL_THROUGH_0904 and H models; U models starting 8/18/14; Gray
	70117605	Kickplate	U models through 8/17/14; All other models; Black
<b>11</b>	70126401	Pop Rivet	NTT45N_SERIAL_THROUGH_0904 and H models; U models starting 8/18/14; 4 required per kickplate; Gray
	70126301	Pop Rivet	U models through 8/17/14; All other models; 4 required per kickplate; Black
<b>12</b>	70275801	Screw	8 required

# Emergency Stop Button for CE Models

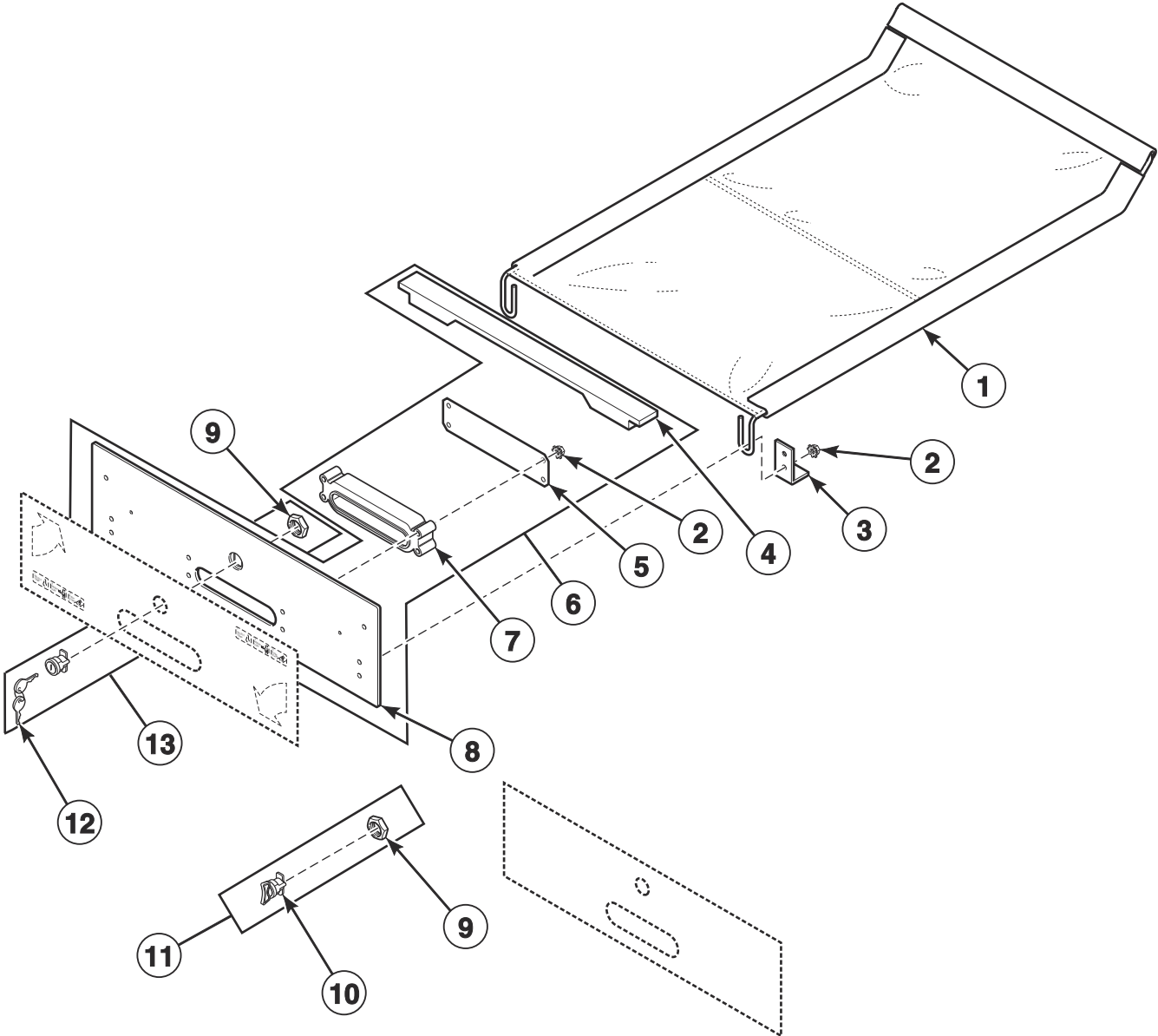


TMB2347P\_70573401

## Emergency Stop Button for CE Models

REF	PART NO.	DESCRIPTION	COMMENTS
	70364102	Emergency Stop Harness	2 contacts
	70364101P	Emergency Stop Harness	4 contacts
	F200233700P	Emergency Stop Button Kit	Models starting 10/1/07
<b>1</b>	44018701	Contact Block	Models through 9/30/07; With base
	44018901	Contact Block	Models through 9/30/07; Without base
	F200233401P	Contact Block Switch	Models starting 10/1/07 through 8/17/14
	F8069501	Contact Switch	Models starting 8/18/14
	F8538101	Contact Base	Models starting 8/18/14
<b>2</b>	44012901	Emergency Stop Label	
<b>3</b>	44018801	Pushbutton	Models through 9/30/07
	F200233500	Emergency Stop Pushbutton	Models starting 10/1/07

# Lint Drawer Components



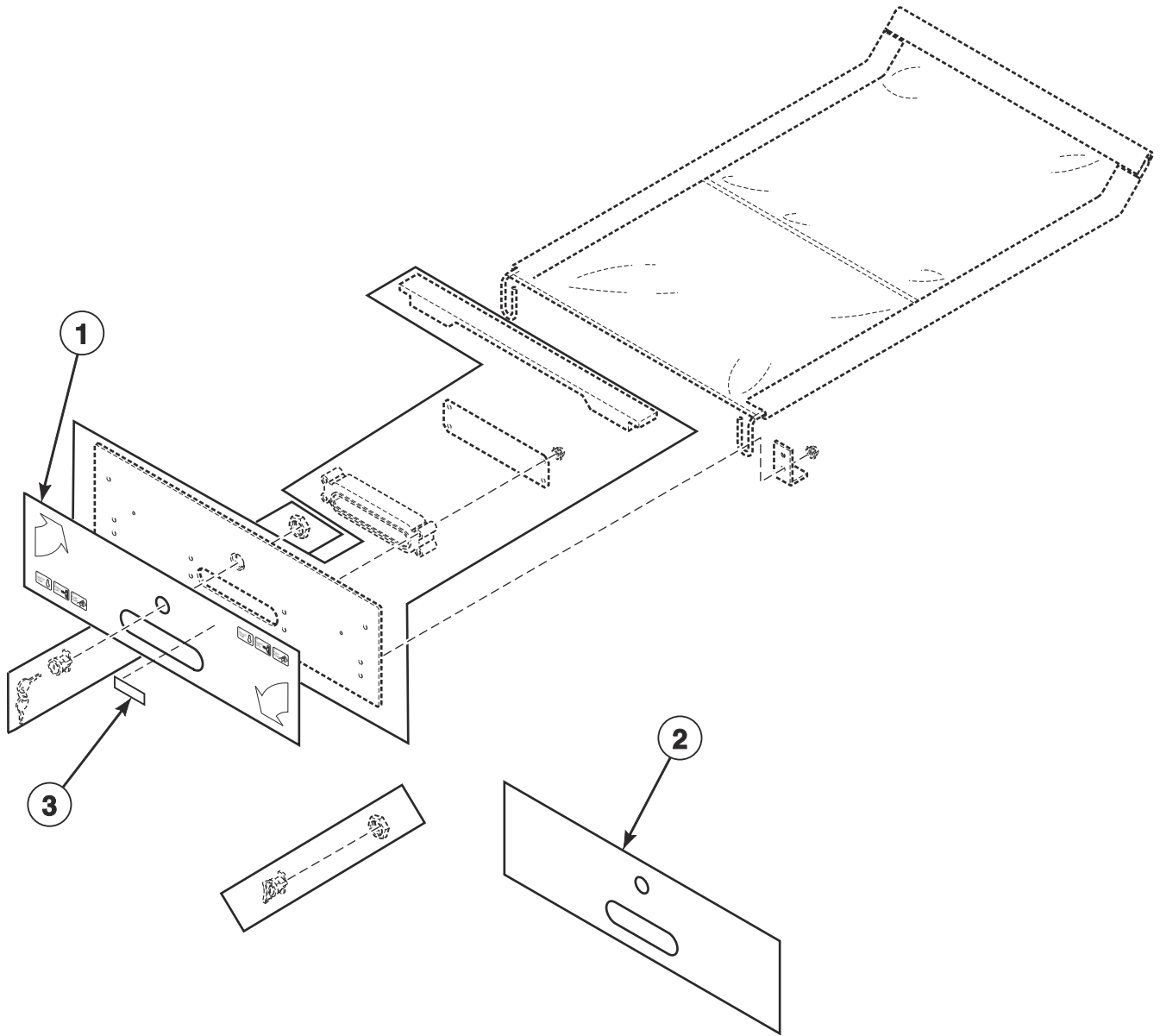
TMB2735P\_70573401



## Lint Drawer Components

REF	PART NO.	DESCRIPTION	COMMENTS
1	70301201	Lint Screen Assembly	
2	44087101	Nut	6 required
3	70026901	Lint Screen Bracket	2 required
4	70333103	Lint Frame Gasket	
5	70323201	Lint Drawer Handle Plate	
6	70323001	Lint Drawer Front Assembly	Black
	70323002	Lint Drawer Front Assembly	Gray
7	70320801	Lint Drawer Handle	Black
	70320802	Lint Drawer Handle	Gray
8	70323004	Lint Panel and Studs Assembly	U models; Models starting 8/18/14; Gray
9	44088801	Nut	
10	70399201	Panel Latch	B, C, G, H, I, K, N, S and U models; 3O, BG and QT control suffixes
11	70399201P	Panel Latch Kit	B, C, G, H, I, K, N, S and U models
12	70155602	Key	RL002
13	44089302P	Lock, Key and Nut Kit	RL002

# Lint Drawer Overlays

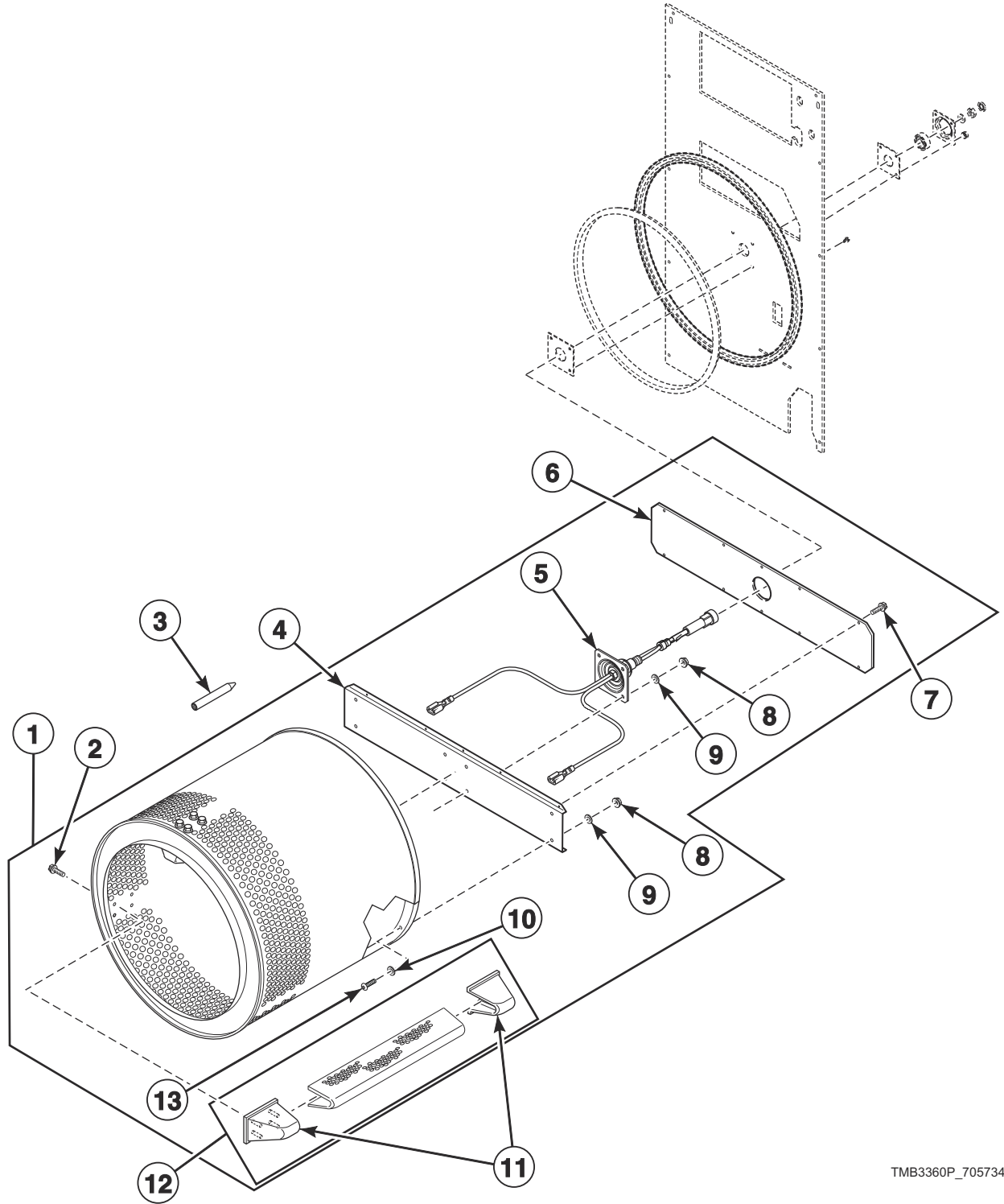


TMB3350P\_70573401

## Lint Drawer Overlays

REF	PART NO.	DESCRIPTION	COMMENTS
1	70299901	Overlay	S models; Upper lint drawer; Text
	70428701	Overlay	S models; Upper lint drawer; Icon
	70461001	Overlay	U models; Models through 8/17/14; Upper lint drawer
	70494101	Overlay	U models; Models starting 8/18/14; Upper lint drawer
	70506201	Overlay	H models; Gray/Green; Upper lint drawer
	70506301	Overlay	H models; Green; Upper lint drawer
	70363101	Overlay	H models; Gray; Upper lint drawer; OPL
	70428901	Overlay	H models; Gray; Upper lint drawer; OPL; Icon
	70396001	Overlay	H models; Gray; Upper lint drawer; Coin
	70428801	Overlay	H models; Gray; Upper lint drawer; Coin; Icon
	70381101	Overlay	M models; Upper lint drawer
	70408001	Overlay	B, C and I models; Upper lint drawer; Text
	70408002	Overlay	B and N models; Upper lint drawer; Icon
	70413801	Overlay	G and K models; Upper lint drawer
	70511501	Overlay	L and P models; Upper lint drawer
2	70300001	Overlay	B, C, G, I, K, L, P and S models; U models through 8/17/14; Lower lint drawer
	70325301	Overlay	H models; U models starting 8/18/14; Lower lint drawer
	70428702	Overlay	N and S models; Lower lint drawer; Icon
	70428802	Overlay	H models; Lower lint drawer; Icon
	70381201	Overlay	M models; Lower lint drawer
3	70521201	Nameplate	L models

# Cylinder and Trunnion Components

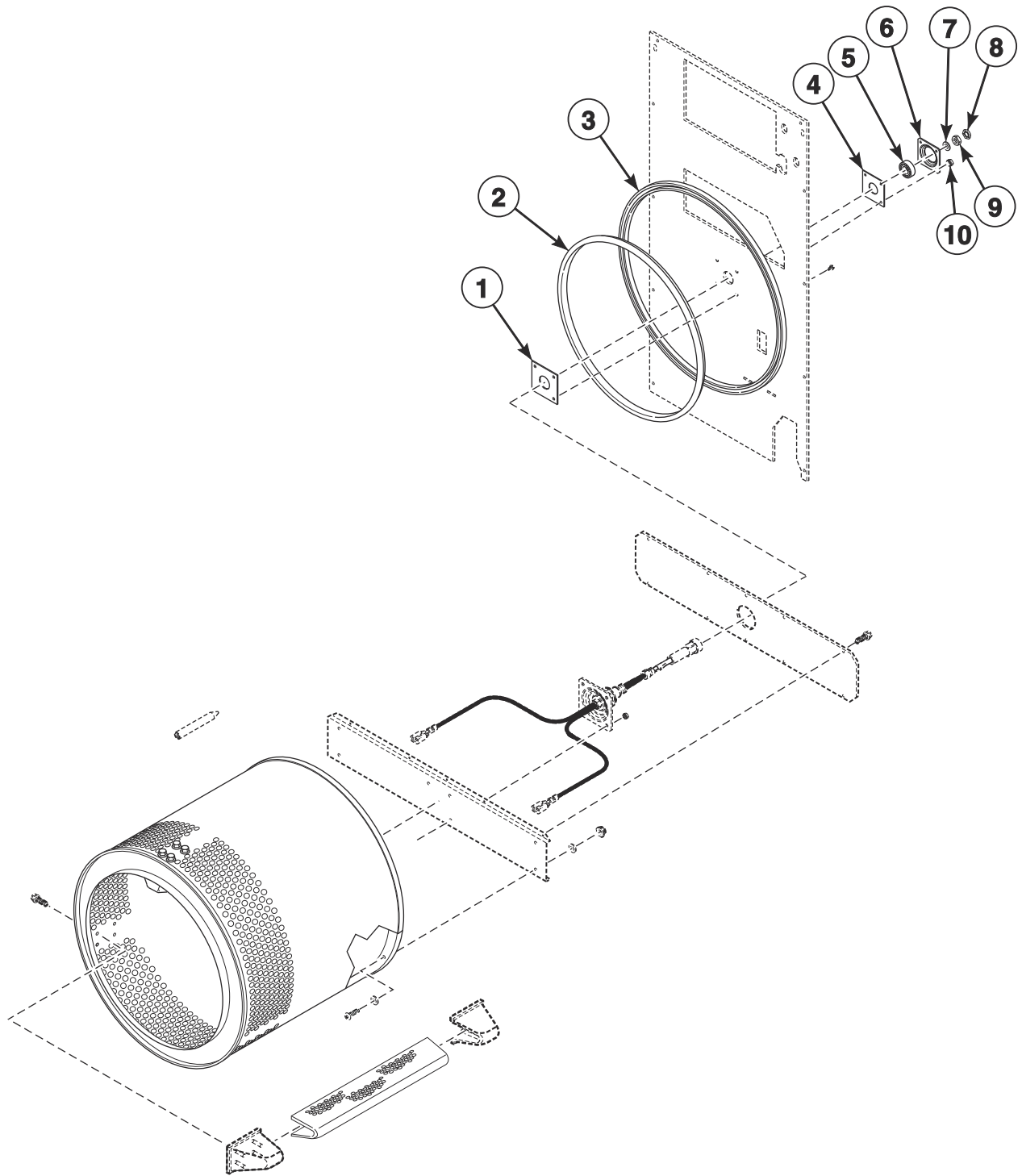


TMB3360P\_70573401

## Cylinder and Trunnion Components

REF	PART NO.	DESCRIPTION	COMMENTS
	70343101P	Drywall Screw Magnet Kit	Includes 6 magnets and 6 screws
1	70372903	Cylinder Assembly	K models; Non-moisture sensing
	70372901P	Cylinder Assembly	All models except K models; Galvanized; Non-moisture sensing
	70372902P	Cylinder Assembly	All models except K models; Stainless steel; Non-moisture sensing
	70444003	Cylinder and Trunnion Assembly	G and K models; Moisture sensing
	70444001P	Cylinder and Trunnion Assembly	All models except G and K models; Galvanized; Moisture sensing
	70444002	Cylinder and Trunnion Assembly	All models except G and K models; Stainless steel; Moisture sensing
2	62588	Screw	
3	263P4	Cylinder Guide Tool	
4	70305201	Rear Cylinder Channel	Non-moisture sensing
	70305202	Rear Cylinder Channel	Moisture sensing
5	70564805	Trunnion and Seal Kit	Non-moisture sensing
	70564806	Trunnion and Seal Kit	Moisture sensing; Includes 70454601 Trunnion and Wire Assembly
6	70305301	Rear Cylinder Channel Plate	
7	430497	Screw	10 required
8	M412986	Nut	
9	M400080	Washer	Models through Serial No. 0708006765
10	70411301	Washer	Models starting Serial No. 0708006766
11	70070101	End Cap	Non-moisture sensing
	70070102	End Cap	Moisture sensing
12	70433001	Cylinder Rib Assembly	Moisture sensing
13	70391101	Screw	8 required

# Bearing Components

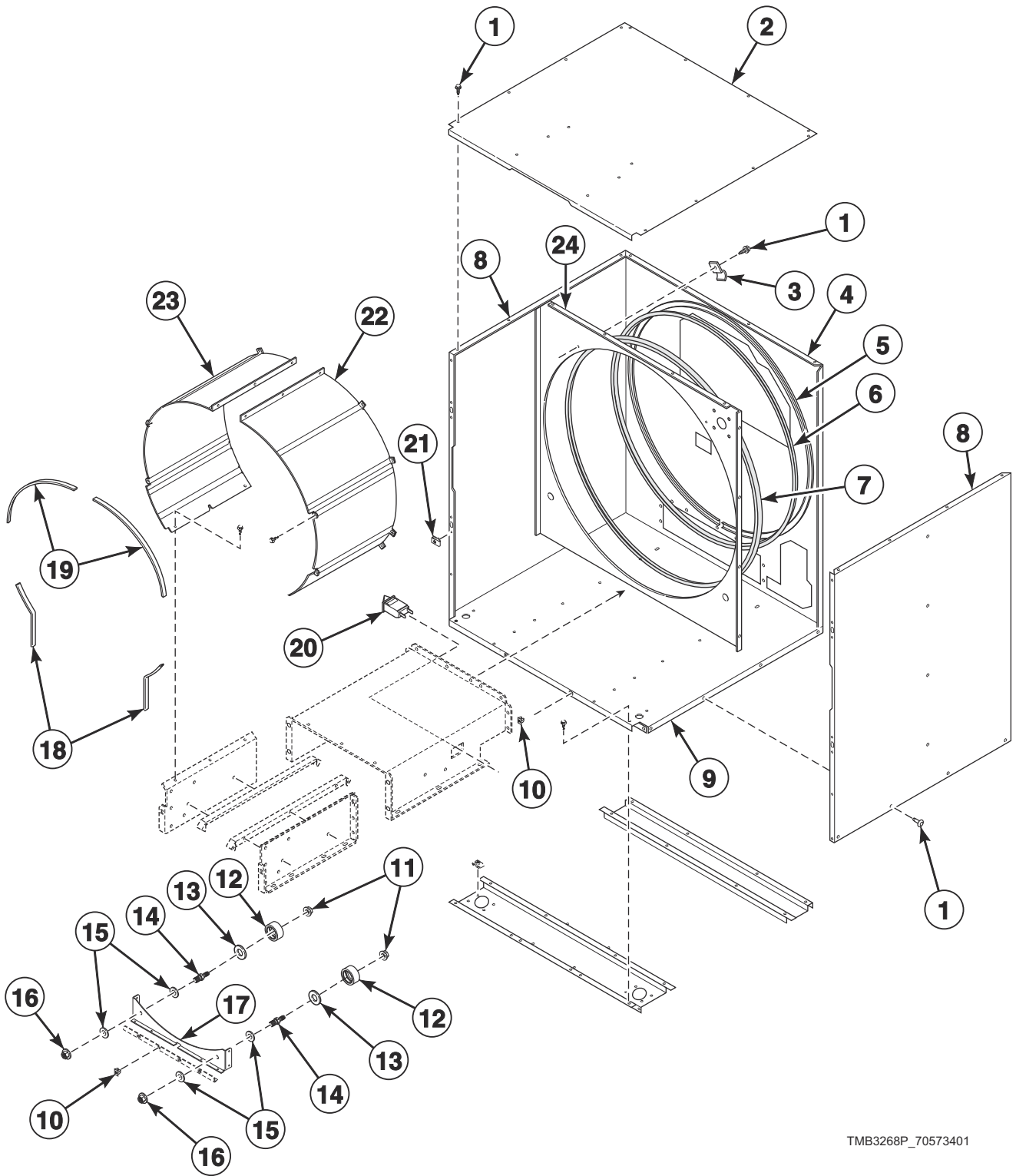


TMB3163PA\_70573401

# Bearing Components

REF	PART NO.	DESCRIPTION	COMMENTS
1	430352	Cylinder Bearing Stud Plate Assembly	
2	70013703	Rear Cylinder Seal	Requires Adhesive
3	70506403	Rear Cylinder Seal Support	
4	70355001	Rear Bearing Shim	
5	70448701	Support Bearing	
6	70013901	Rear Cylinder Bearing Housing	
7	M400991	Washer	
8	M400034	Nut	
9	M400022	Nut	
10	M412986	Nut	
	70411301	Washer	Models starting Serial No. 0708006766

# Cabinet Components



TMB3268P\_70573401

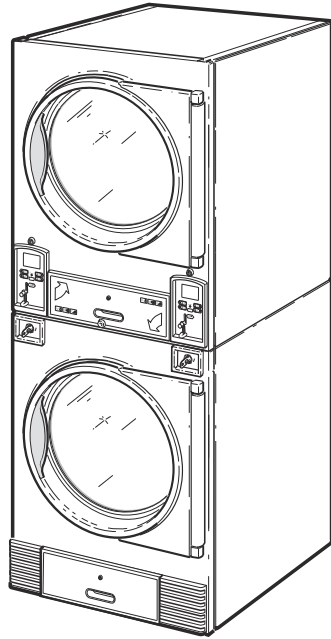


# Cabinet Components

REF	PART NO.	DESCRIPTION	COMMENTS
	430352	Cylinder Bearing Stud Plate Assembly	
	70058501	Pop Rivet	
	21899	Nut	For leveling legs
	70247701	Screw	For leveling legs
	70560601	Lower Pan	Lower pan of lower pocket
<b>1</b>	430497	Screw	
<b>2</b>	70357801	Top Panel Assembly	Upper; Includes threaded insert
<b>3</b>	70226701	Clip	
<b>4</b>	70301701	Rear Panel	
<b>5</b>	70506403	Rear Cylinder Seal Support	
<b>6</b>	70013703	Rear Cylinder Seal	Requires Adhesive
<b>7</b>	70066005	Center Cylinder Seal	Includes center cylinder seal support and center cylinder seal
<b>8</b>	70301801LG	Side Panel	U models; Light gray
	70301801DG	Side Panel	P models starting 10/1/14; L models; Dark gray
	70301801*P	Side Panel	P models through 9/30/14; All models except L and P models
<b>9</b>	70302001	Top Panel	Lower
<b>10</b>	70030501	Expansion Clip	
<b>11</b>	430576	Nut	
<b>12</b>	70616701	Roller and Seal Kit	
<b>13</b>	70443601	Roller Seal	Models starting 3/1/10
<b>14</b>	70249501	Roller Shaft	
<b>15</b>	70261401	Washer	
<b>16</b>	70288801	Nut	
<b>17</b>	70301401	Roller Support Bracket	
<b>18</b>	70015707	Sheet Metal Edge Gasket	Lower
<b>19</b>	70015708	Sheet Metal Edge Gasket	Upper
<b>20</b>	431159	Switch	For lint drawer
<b>21</b>	70030401	Nut	
<b>22</b>	70301901	Cylinder Shroud	Right
<b>23</b>	70301902	Cylinder Shroud	Left
<b>24</b>	70639101	Center Partition	

\* Add Letter To Designate Color. L - Almond Q - Bisque W - White

# Touch-Up Paint

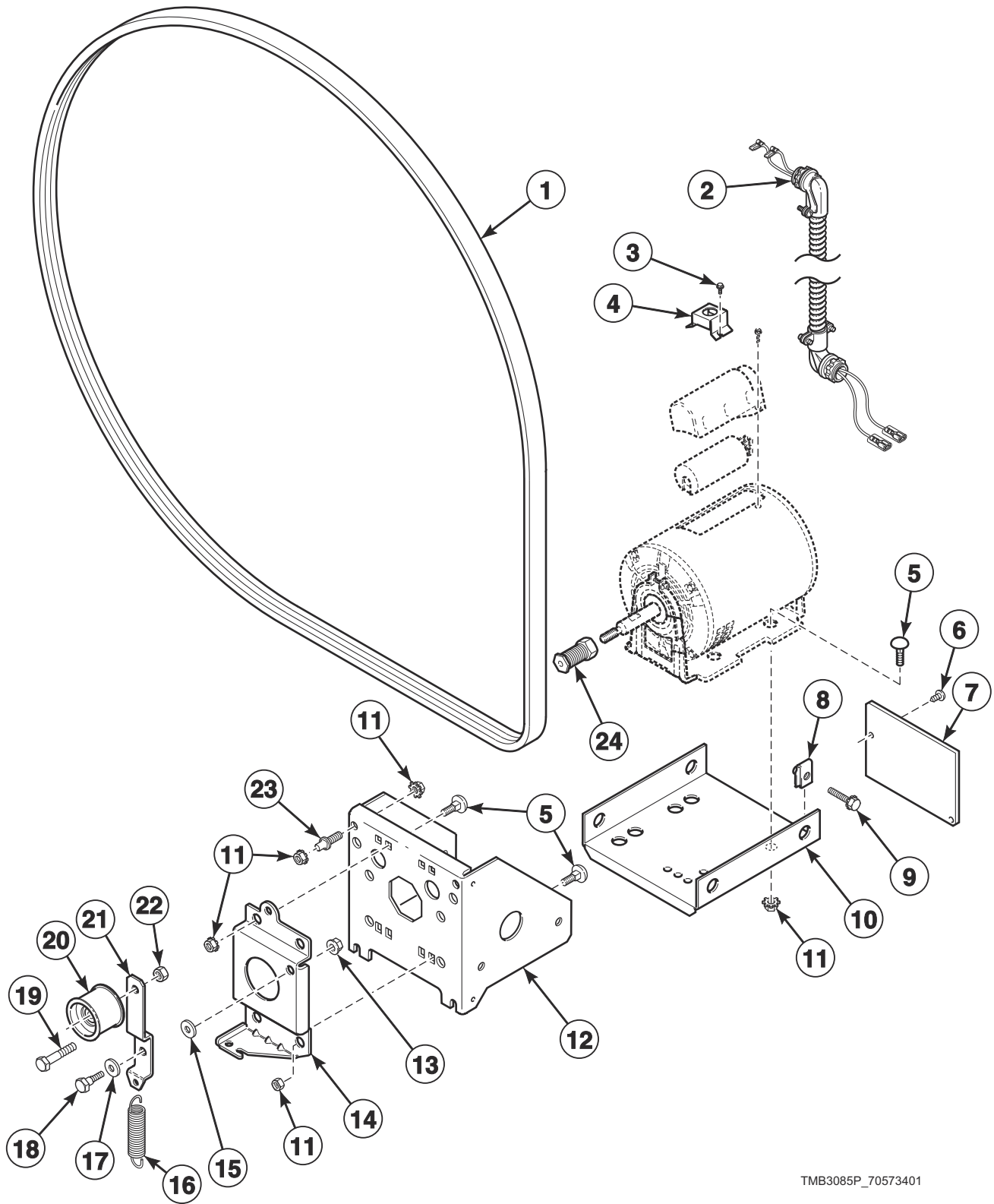


T477C\_70573401

## Touch-Up Paint

REF	PART NO.	DESCRIPTION	COMMENTS
	298P4P	Spray Paint	White
	297P4	Spray Paint	Almond
	381P4	Spray Paint	Bisque
	382P4	Spray Paint	Cream
	122P4P	Porcelain Touch-Up Paint	White
	215P4P	Porcelain Touch-Up Paint	Almond
	370P4P	Porcelain Touch-Up Paint	Bisque

# Drive Motor Components

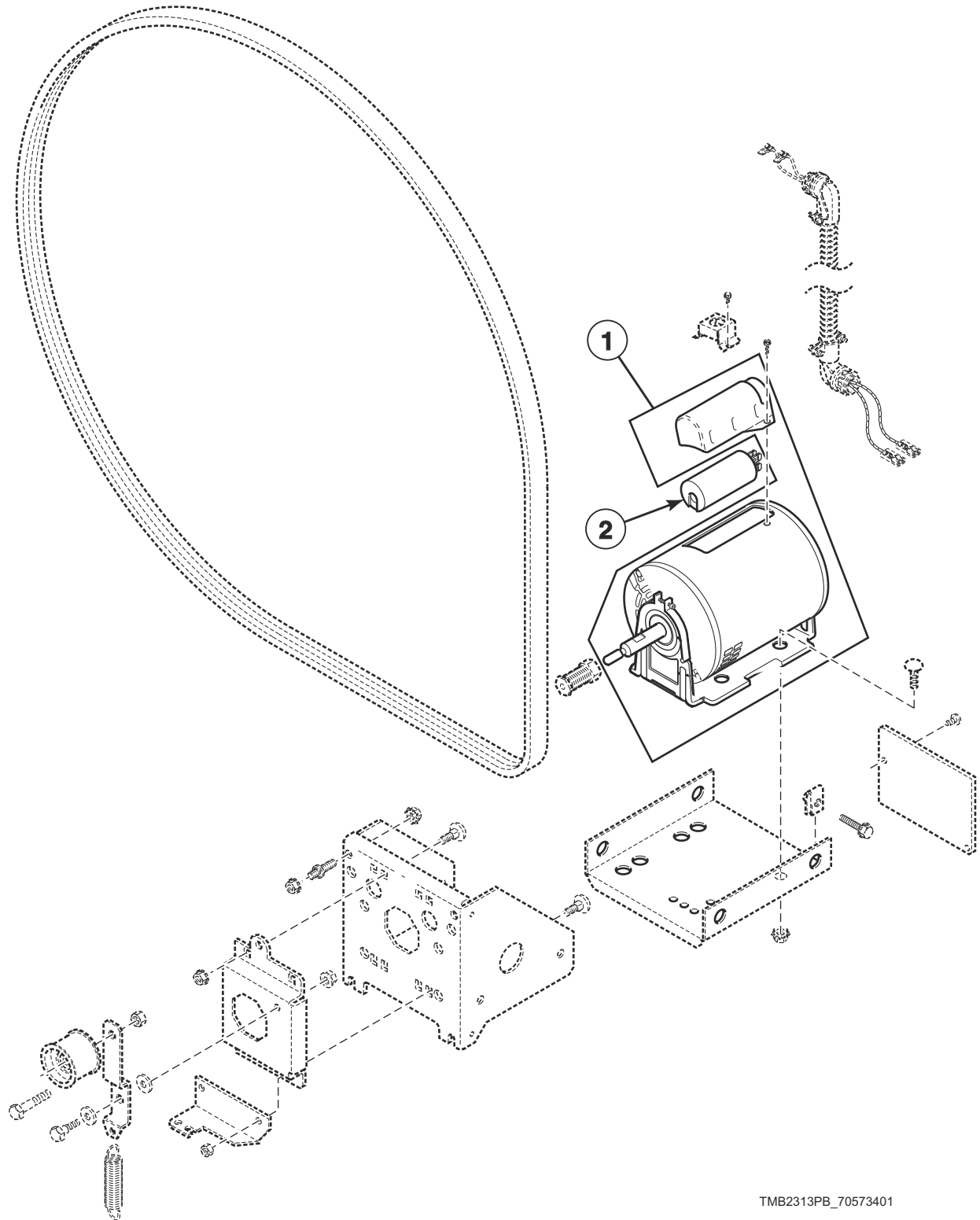


TMB3085P\_70573401

# Drive Motor Components

REF	PART NO.	DESCRIPTION	COMMENTS
	M4853P3	Belt Tension Tool Kit	
1	70276204P	Belt	
2	70316701P	Cylinder Motor Harness	Models through 2/28/10; 1 Phase models; 3 Phase electric models with 240 Volt and below
	70316801P	Cylinder Motor Harness	Models through 2/28/10; 3 Phase models except electric models with 240 Volt and below
	70439901	Cylinder Motor Harness	Models starting 3/1/10; 1 Phase models; 3 Phase electric models with 240 Volt and below
	70440301	Cylinder Motor Harness	Models starting 3/1/10; 3 Phase models except electric models with 240 Volt and below
3	23222	Screw	
4	70321701	Motor Conduit Mounting Bracket	
5	70062401	Bolt	
6	430497	Screw	
7	70202501	Drive Access Cover	
8	27222	Nut	4 required
9	70566401	Screw	
10	70312001	Motor Mount Bracket	
11	M412986	Nut	
12	70261701	Motor Channel	
13	29796	Nut	
14	70443301	Idler Bracket	
15	70270301	Washer	
16	70045301	Drum Idler Spring	With silencer
17	70265901	Washer	
18	431539	Screw	
19	430648	Screw	
20	70050401P	Idler Wheel Assembly	
21	70259901	Cylinder Idler Arm	
22	56156	Nut	
23	70334701	Double Ended Stud	
24	70284204	Motor Pulley	50 Hertz
	70284208	Motor Pulley	60 Hertz

# Drive Motors and Motor Capacitors

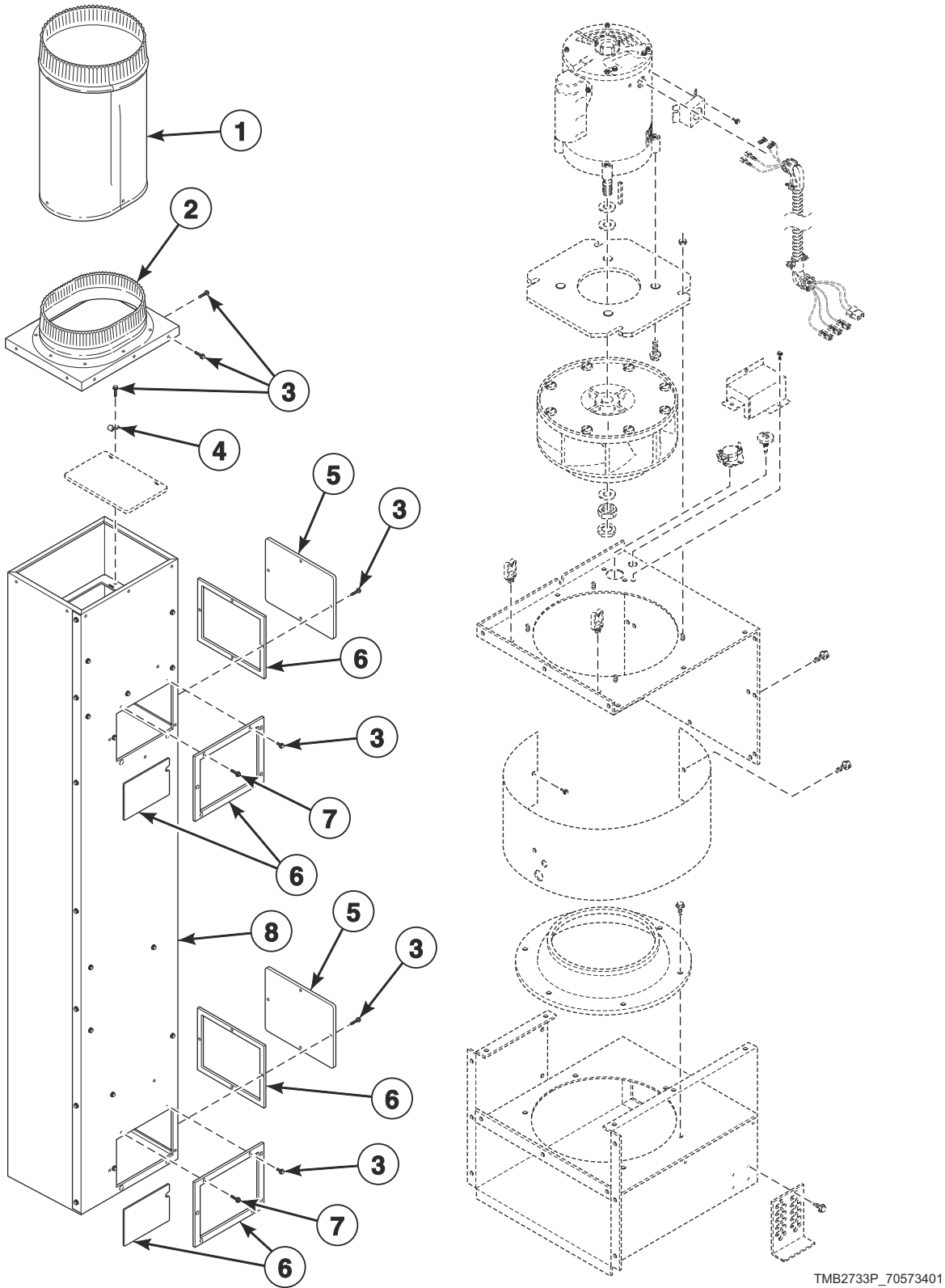


TMB2313PB\_70573401

## Drive Motors and Motor Capacitors

REF	PART NO.	DESCRIPTION	COMMENTS
<b>1</b>	70392901P	Drive Motor	100-120 or 208-240 Volt/60 Hertz/1 Phase
	70298401P	Drive Motor	200-240 Volt/60 Hertz/3 Phase; No capacitors
	70401501	Drive Motor	100 or 200 Volt/50 Hertz/1 Phase; No run capacitor
	70401601	Drive Motor	230-240 Volt/50 Hertz/1 Phase; No run capacitor
	70401701	Drive Motor	380 Volt/50 Hertz/3 Phase; No capacitors
	70401801	Drive Motor	400-415 Volt/50 Hertz/3 Phase; No capacitors
<b>2</b>	70413101	Motor Capacitor	Start; For 70392901P Drive Motor
	70413201	Motor Capacitor	Run; For 70392901P Drive Motor
	70435702	Motor Capacitor	Start; For 70401501 Drive Motor
	70435701	Motor Capacitor	Start; For 70401601 Drive Motor

# Exhaust Components



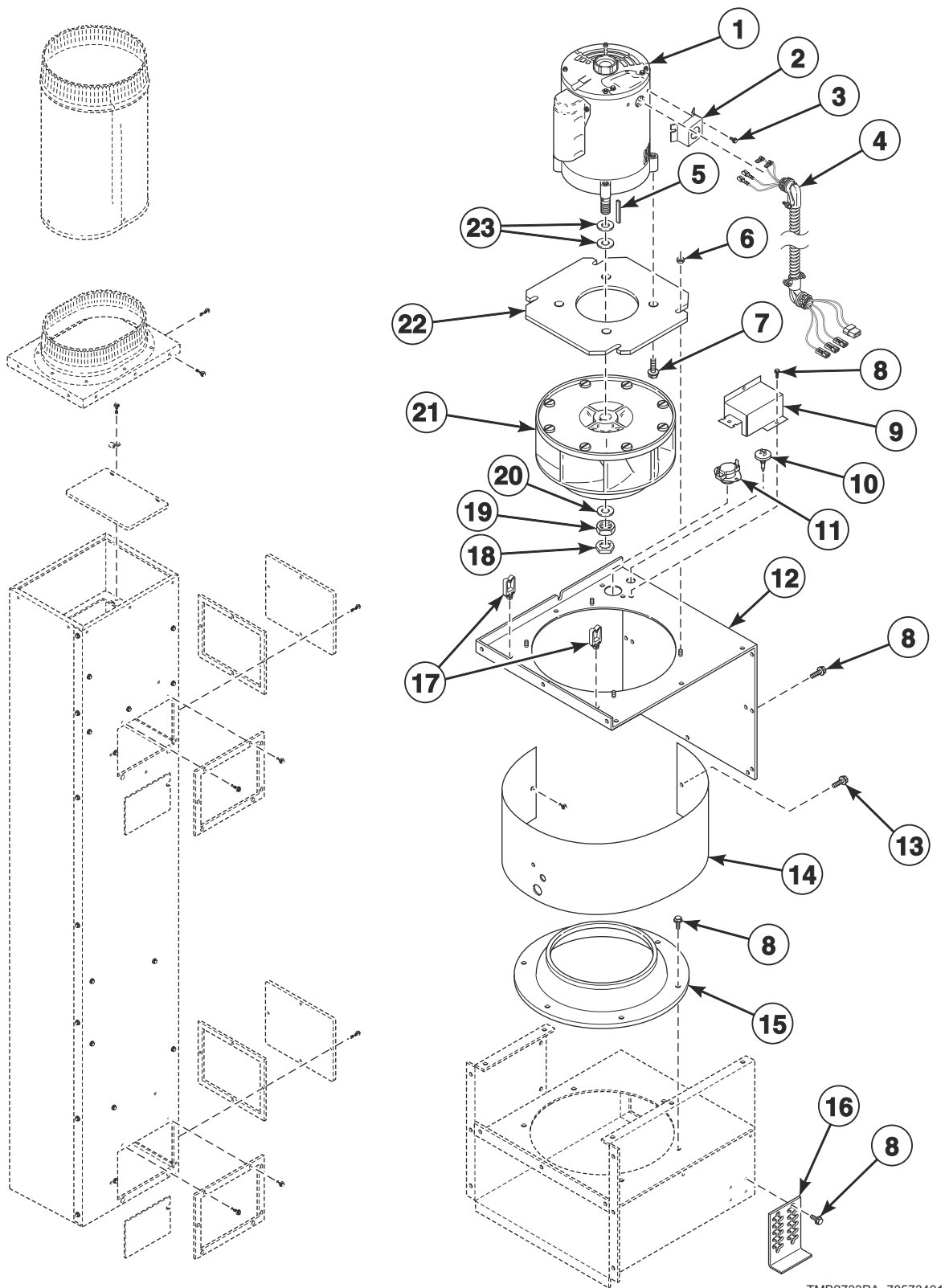
TMB2733P\_70573401



# Exhaust Components

REF	PART NO.	DESCRIPTION	COMMENTS
	70289101P	Gasket	Sold per foot
1	70425801	Exhaust Pipe Assembly	CE models
2	70307601	Duct Cover	
3	430497	Screw	12 required
4	70226701	Clip	
5	70308701	Duct Access Cover	
6	70302801P	Exhaust Duct Gaskets Assembly	2 required
7	M411072	Screw	2 required
8	70311902	Exhaust Duct Assembly	CE models; Includes cap, dampers and gaskets; Order blower housing scroll separately
	70311901	Exhaust Duct Assembly	All other models; Includes cap, dampers and gaskets; Order blower housing scroll separately

# Blower Components

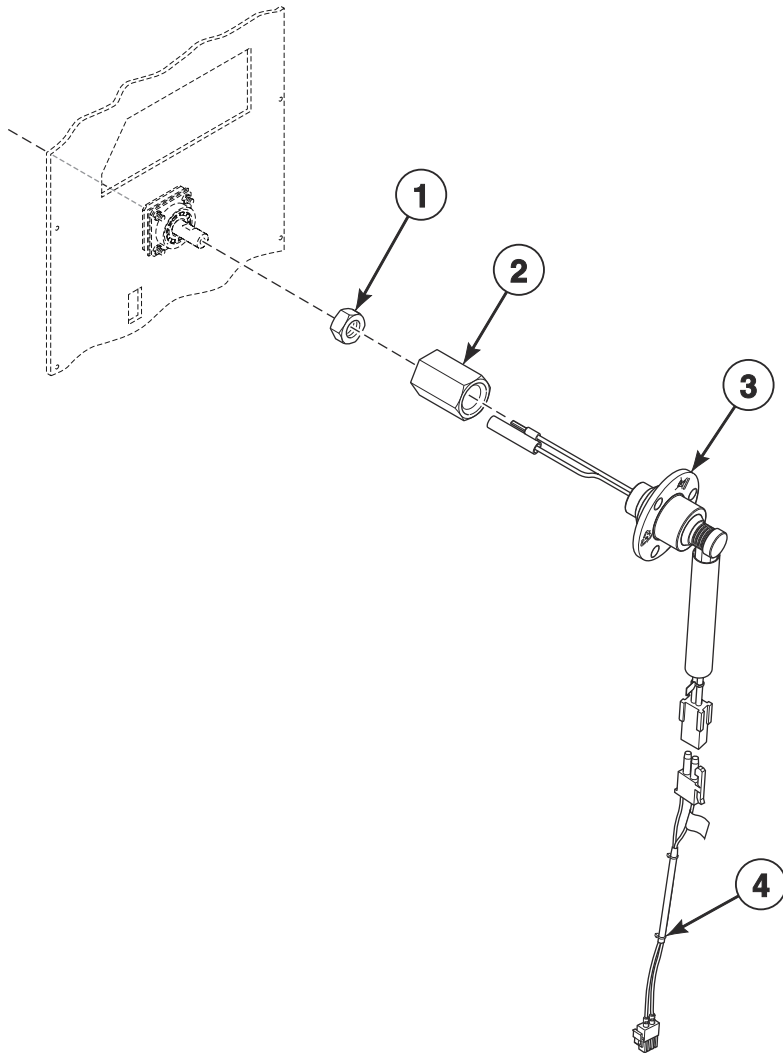


TMB2733PA\_70573401

## Blower Components

REF	PART NO.	DESCRIPTION	COMMENTS
	70392701P	Gasket	For blower housing opening
1	70342601P	Blower Motor	200-480 Volt/60 Hertz/3 Phase and 200-415 Volt/50 Hertz/3 Phase
	70297901P	Blower Motor	100-120 or 208-240 Volt/60 Hertz/1 Phase; Use 70435701 Motor Capacitor (start)
	70401401	Blower Motor	100 or 200 Volt/50 Hertz/1 Phase
2	70321701	Motor Conduit Mounting Bracket	
3	23222	Screw	
4	70440001P	Fan Motor Harness	1 Phase models; 3 Phase electric models with 240 Volt and below
	70317001	Fan Motor Harness	Models through 2/28/10; 3 Phase models except electric models with 240 Volt and below
	70440401	Fan Motor Harness	Models starting 3/1/10; 3 Phase models except electric models with 240 Volt and below
5	70144101	Key	
6	29786	Nut	4 required
7	70126101	Screw	4 required
8	430497	Screw	12 required
9	70346301	Thermistor Cover	
10	M414704	Thermistor	
11	M411307	Limit Thermostat	Auto reset
12	70322801	Blower Housing Cover Assembly	
13	51780	Screw	
14	70303201	Blower Housing Scroll	
15	70303101	Blower Inlet Cone	
16	70200301	Rear Stabilizer Bracket	
17	70366201	Wire Clip	2 required
18	M400034	Nut	
19	M400022	Nut	
20	F431131	Washer	
21	70302201P	Blower Assembly	
22	70303401	Blower Motor Mounting Plate	
23	70599301	Fan Spacer	

# Moisture Sensing Components

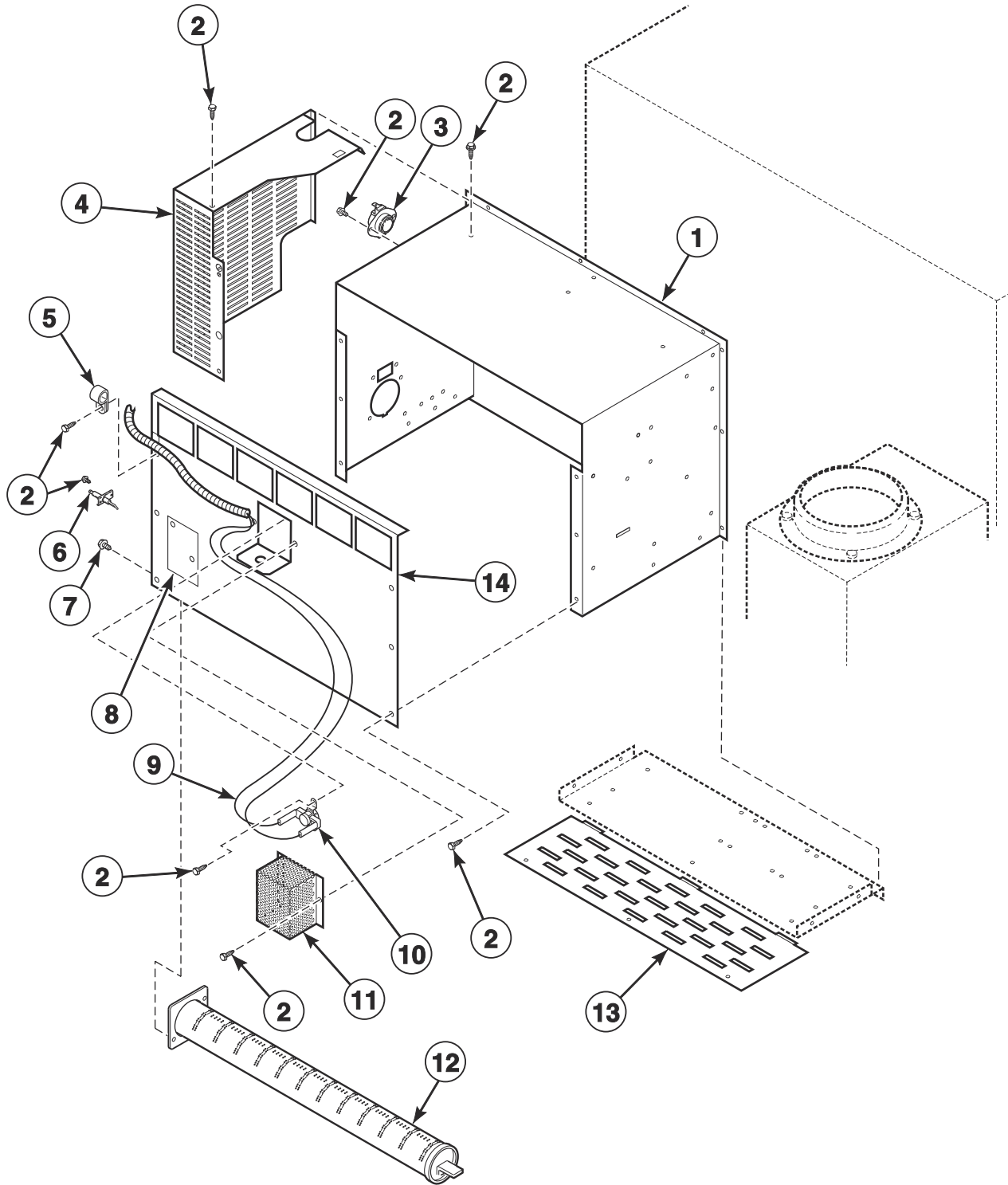


TMB3147P\_70573401

# Moisture Sensing Components

REF	PART NO.	DESCRIPTION	COMMENTS
	70468901	Moisture Sensor Test Wires	Use to troubleshoot the moisture sensor circuit
1	M400035	Nut	
2	70455401	Slip Ring Holder	
3	44222701	Slip Ring Assembly	
4	70448901	Moisture Sensor Harness Assembly	

# Gas Burner Housing and Secondary Stove Limit

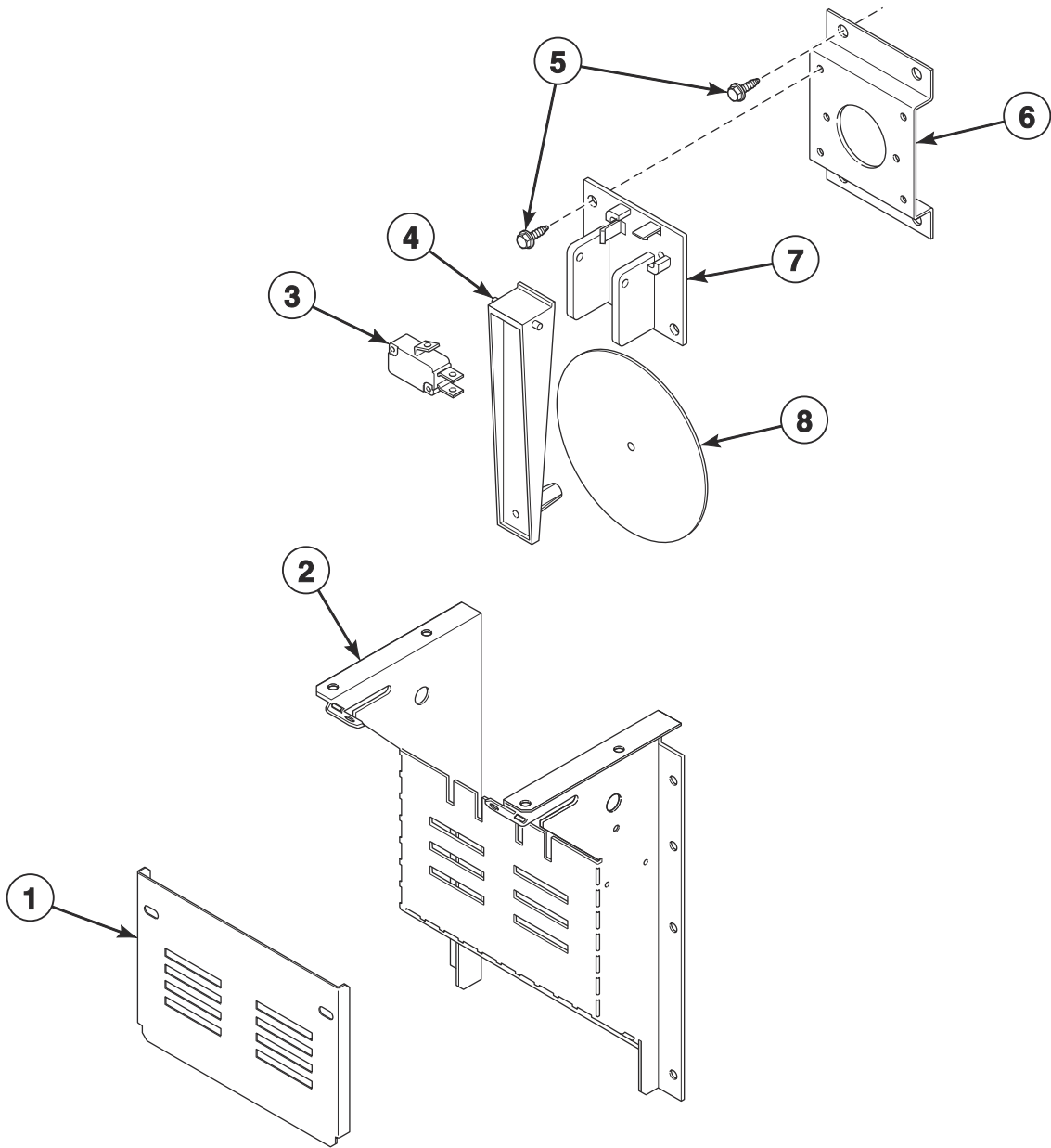


TMB2315P\_70573401

## Gas Burner Housing and Secondary Stove Limit

REF	PART NO.	DESCRIPTION	COMMENTS
	70316501	Stove Limit Harness	
	M4903P3	Stove Limits Kit	Models through Serial No. 0311000078; In addition, order 70299101 Secondary Stove Limit Kit
	70522901P	Direct Air Kit	2 required
<b>1</b>	70306001	Stove Top and Sides	
<b>2</b>	430497	Screw	
<b>3</b>	M409219	Limit Thermostat	Non-CE models
	70186301	Manual Reset Thermostat	Australian and Korean models
<b>4</b>	70425001	Gas Valve Cover	Australian and CE models
<b>5</b>	70203701	Pipe Clip	
<b>6</b>	70032801P	Spark Electrode	Models through 9/16/12
	70548701P	Spark Electrode	Models starting 9/17/12
<b>7</b>	05161	Screw	
<b>8</b>	70159601	Igniter Cover	
<b>9</b>	70316501	Stove Limit Harness	
<b>10</b>	70299001	Limit Thermostat	
<b>11</b>	M414477	Thermostat Cover	
<b>12</b>	70229801P	Gas Burner	
	70546701	Anti-Rattle Burner Assembly	Includes 70229801P Gas Burner, 431318 Control Door Latch and M400003 Pop Rivet
<b>13</b>	70306501	Burner Grill	
<b>14</b>	70375201	Stove Back	

# Airflow Switch



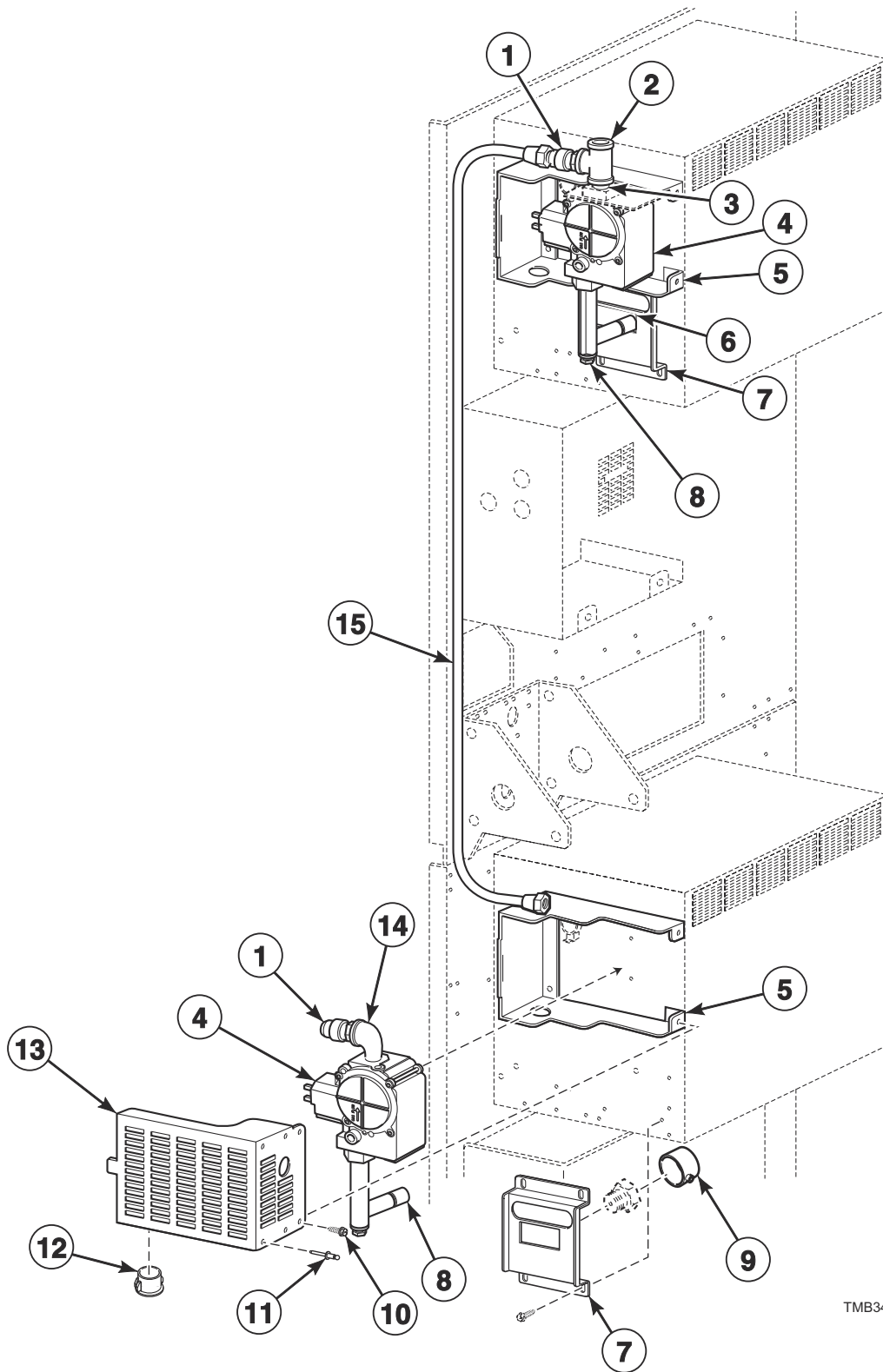
TMB3126P\_70573401



# Airflow Switch

REF	PART NO.	DESCRIPTION	COMMENTS
1	70356601	Airflow Switch Cover	Non-moisture sensing
	70465701	Airflow Switch Cover	Moisture sensing
2	70356101	Airflow Switch Wrapper	
3	70411901	Switch	
4	70319401	Airflow Switch Arm	
5	430497	Screw	
6	70356301	Switch Bracket	
7	70319601	Airflow Switch and Arm Bracket	
8	70319201	Airflow Switch Vane	

# Gas Valve and Piping - All Non-CE and Non-Australian Gas Models and CE and Australian Models Starting 1/1/14

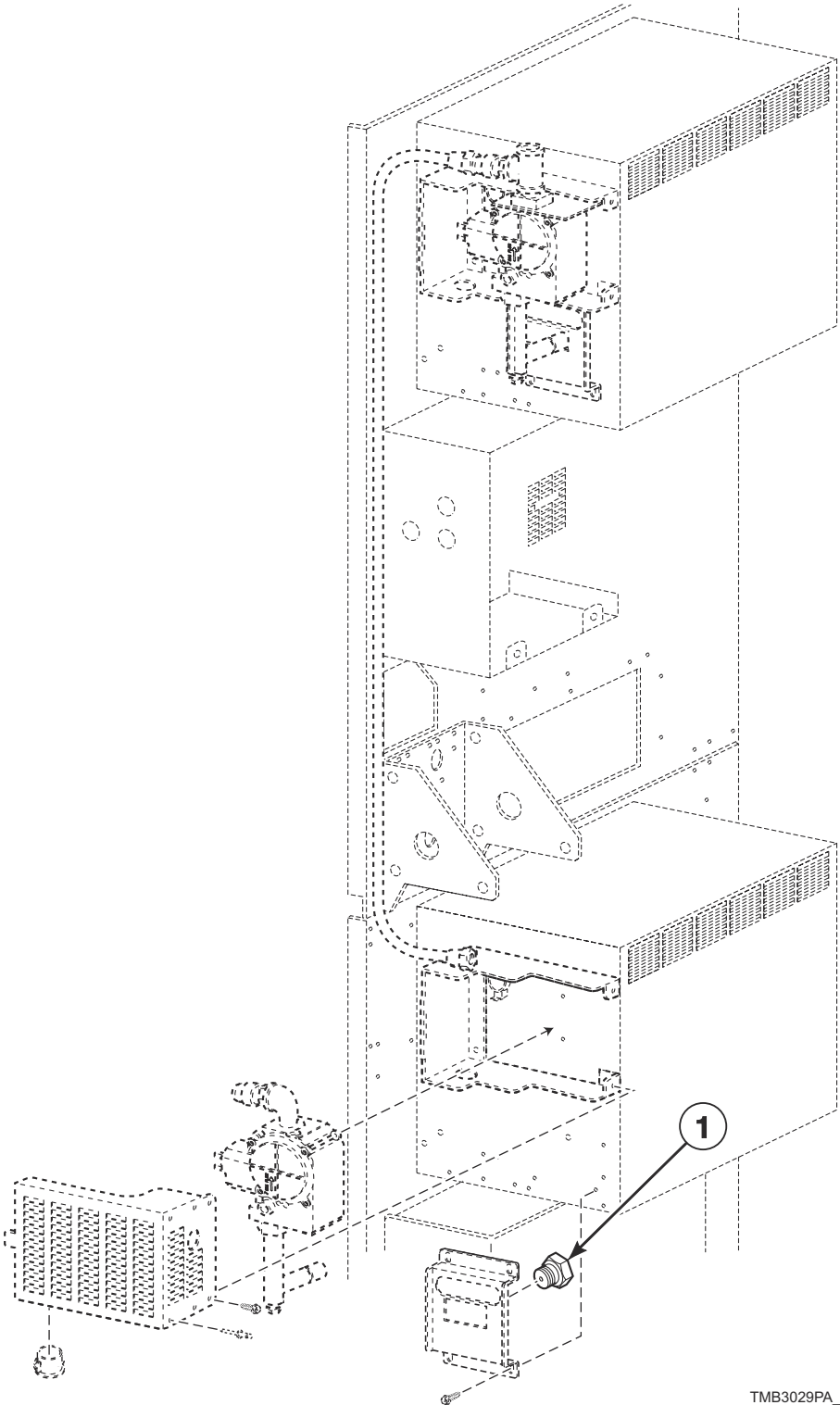


TMB3431P\_70573401

## Gas Valve and Piping - All Non-CE and Non-Australian Gas Models and CE and Australian Models Starting 1/1/14

REF	PART NO.	DESCRIPTION	COMMENTS
	M4970P3	Replacement Gas Valve Kit	Natural Gas (N.G.); Use to replace old valve before 12/15/09 with new valve
	M4972P3	Replacement Gas Valve Kit	Liquid Petroleum Gas (L.P.); Use to replace old valve before 12/15/09 with new valve
	M4880P3	L.P. Conversion Kit	0-2,000 feet
	M412997	Harness Assembly	
<b>1</b>	70262601	Pipe	
<b>2</b>	70267501	Pipe Tee	Models through 1/31/10
	70071801	Tee	Models starting 2/1/10
<b>3</b>	431486	Pipe Nipple	
<b>4</b>	44154501P	Gas Valve	N.G.; Models through 12/31/13
	44154502P	Gas Valve	L.P.; Models through 12/31/13
	44154503	N.G. Valve	Models starting 1/1/14
	44154504	L.P. Valve	Models starting 1/1/14
<b>5</b>	70328201	Forward Valve Cover	
<b>6</b>	70249001	Orifice Keeper Bracket	
<b>7</b>	70248901	Orifice Holder Bracket	
<b>8</b>	70552801P	Orifice Adapter	
<b>9</b>	70239801	Primary Air Adjustment Sleeve	
<b>10</b>	430497	Screw	
<b>11</b>	70058501	Pop Rivet	3/16 inch
<b>12</b>	M400770	Snap Bushing	
<b>13</b>	70282401	Rear Valve Cover	
<b>14</b>	H86070034	Street Elbow	
<b>15</b>	70281602	Tube	

# Burner Orifices - Non-CE and Non-Australian Gas Models



TMB3029PA\_70573401

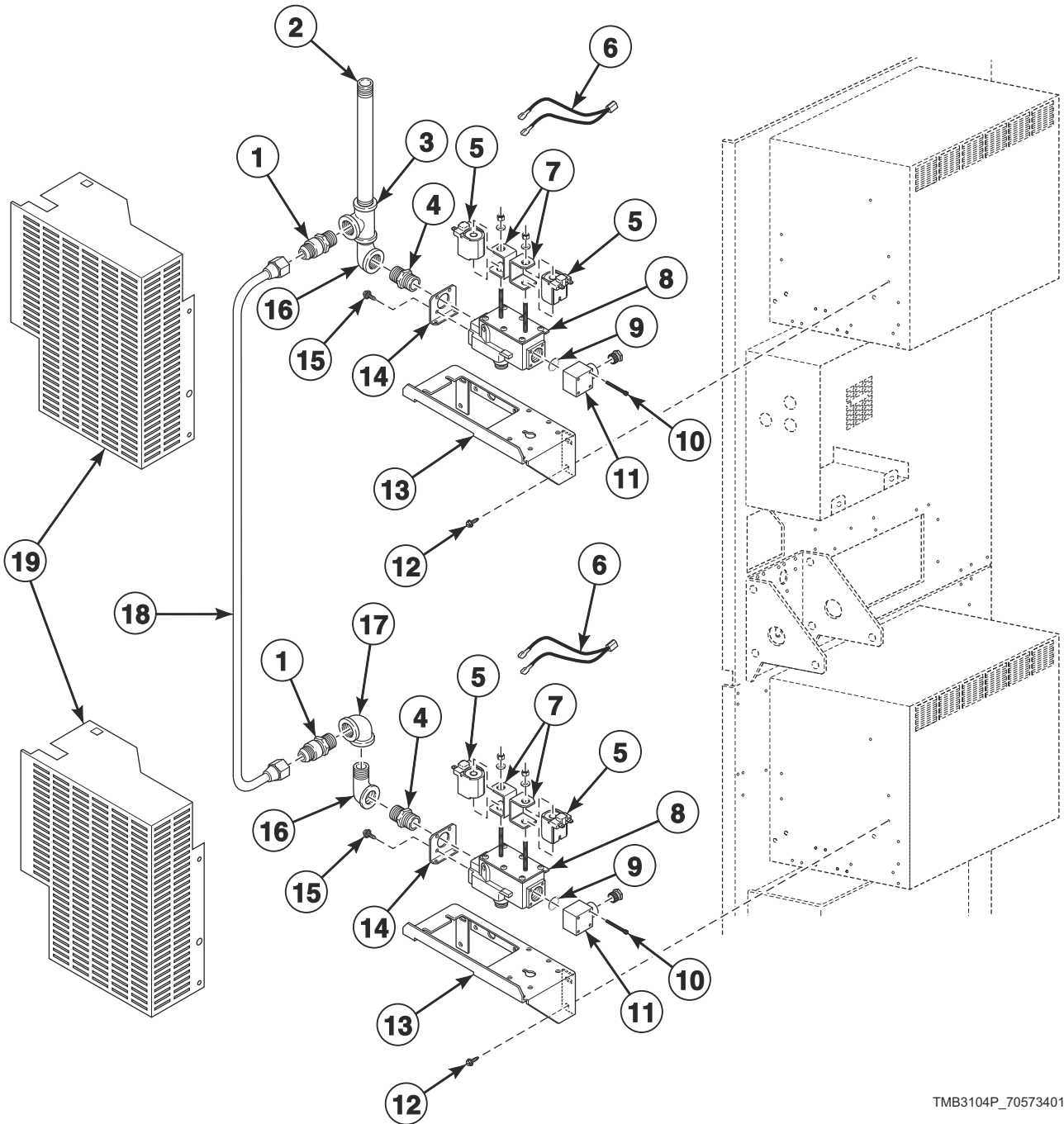
## Burner Orifices - Non-CE and Non-Australian Gas Models

REF	PART NO.	DESCRIPTION	COMMENTS
1	M411375	Burner Orifice	Standard models; 50 Hertz; Liquid Petroleum Gas (L.P.); Drill no. 36 (2.7 mm); 0-2,000 feet; *
	M411512	Burner Orifice	Standard models; 60 Hertz; L.P.; Drill no. 34 (2.8 mm); 0-2,000 feet; *
	M411375	Burner Orifice	Standard models; L.P.; Drill no. 36 (2.7 mm); 2,001-6,000 feet; *
	M411376	Burner Orifice	Standard models; L.P.; Drill no. 38 (2.6 mm); 6,001-8,000 feet; *
	M406361	Burner Orifice	Standard models; L.P.; Drill no. 40 (2.5 mm); 8,001-10,000 feet; *
	M411373	Burner Orifice	Standard models; 50 Hertz; Natural Gas (N.G.); Drill no. 16 (4.5 mm); 0-2,000 feet; *
	M411510	Burner Orifice	Standard models; 60 Hertz; N.G.; Drill no. 13 (4.7 mm); 0-2,000 feet; *
	M411511	Burner Orifice	Standard models; N.G.; Drill no. 15 (4.6 mm); 2,001-4,000 feet; *
	M411373	Burner Orifice	Standard models; N.G.; Drill no. 16 (4.5 mm); 4,001-6,000 feet; *
	M402988	Burner Orifice	Standard models; N.G.; Drill no. 18 (4.3 mm); 6,001-8,000 feet; *
	M401002	Burner Orifice	Standard models; N.G.; Drill no. 20 (4.1 mm); 8,001-10,000 feet; *
	M401007	Burner Orifice	Models HTT45D and STT45D; 50 Hertz; Drill no. 39 (2.5 mm); *
	N/A	Burner Orifice	Models HTT45D and STT45D; 60 Hertz; Drill no. 37 (2.6 mm); *
	M402992	Burner Orifice	Eco models; 50 Hertz; N.G.; Drill no 21 (4.0 mm) ; 0-2,000 feet; *
	M402980	Burner Orifice	Eco models; 50 Hertz; N.G.; Drill no. 24 (3.9 mm); 2,001-4,000 feet; *
	M401000	Burner Orifice	Eco models; 50 Hertz; N.G.; Drill no. 26 (3.7 mm); 4,001-6,000 feet; *
	M401014	Burner Orifice	Eco models; 50 Hertz; N.G.; Drill no. 28 (3.6 mm); 6,001-8,000 feet; *
	M400997	Burner Orifice	Eco models; 50 Hertz; N.G.; Drill no. 29; 8,001-10,000 feet; *
	M402995	Burner Orifice	Eco models; 60 Hertz; N.G.; Drill no. 19 (4.2 mm); 0-2,000 feet; *
	M402992	Burner Orifice	Eco models; 60 Hertz; N.G.; Drill no. 21 (4.0 mm); 2,001-4,000 feet; *
	M401020	Burner Orifice	Eco models; 60 Hertz; N.G.; Drill no. 23 (3.9 mm); 4,001-6,000 feet; *
	M401000	Burner Orifice	Eco models; 60 Hertz; N.G.; Drill no. 26 (3.7 mm); 6,001-8,000 feet; *
	M401014	Burner Orifice	Eco models; 60 Hertz; N.G.; Drill no. 28 (3.6 mm); 8,001-10,000 feet; *

**N/A = Part no longer available**

**\* NOTE: One orifice required per pocket**

# Gas Valve and Piping - CE and Australian Gas Models Through 12/31/13



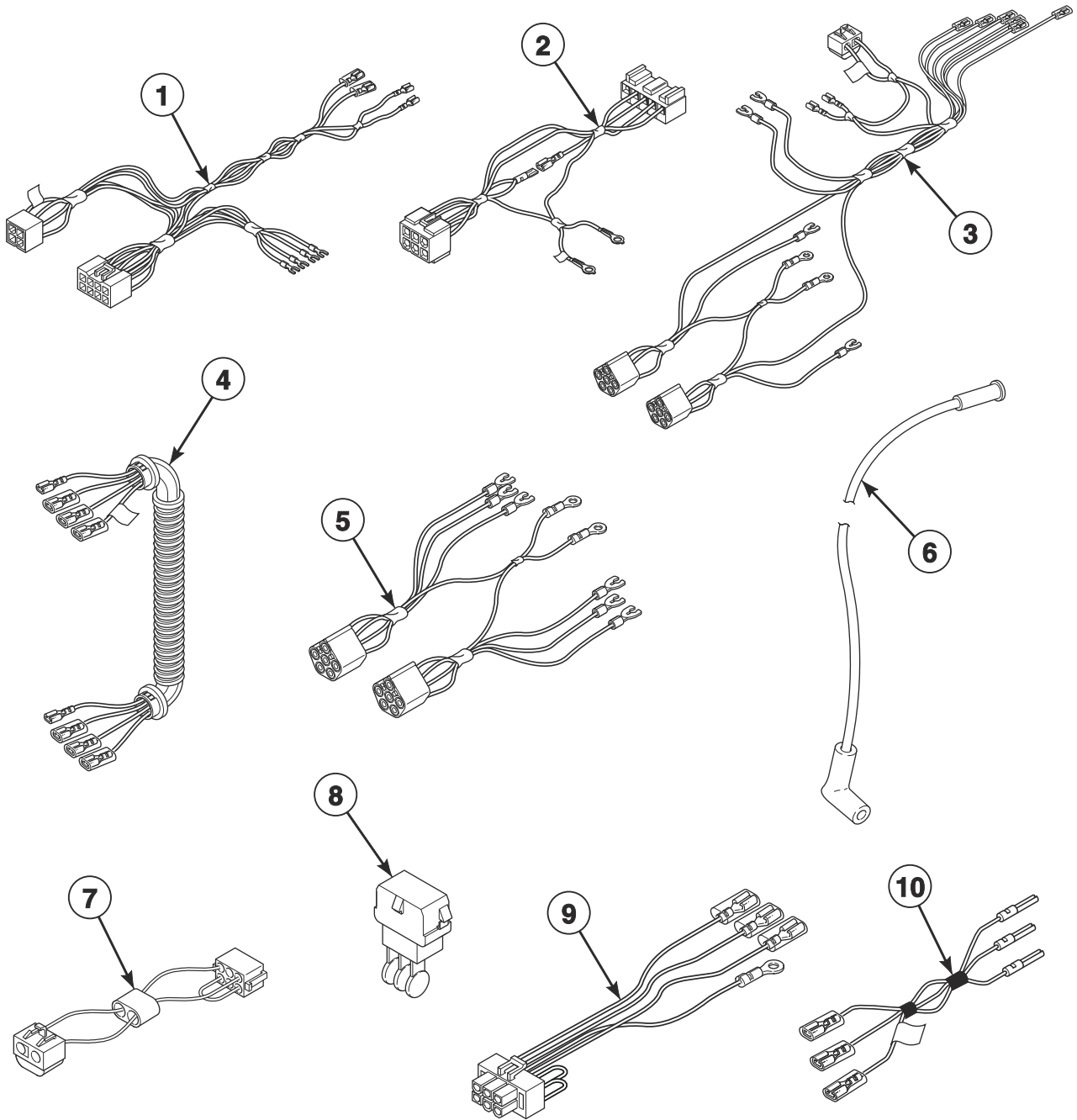
TMB3104P\_70573401

## Gas Valve and Piping - CE and Australian Gas Models Through 12/31/13

REF	PART NO.	DESCRIPTION	COMMENTS
	M4880P3	L.P. Conversion Kit	0-2,000 feet; Australian models
	M405434P	L.P. Valve Conversion Kit	Unregulated; Must also order orifice, refer to Installation Manual; Use with 44154503 N.G. Valve
	M4746P3	Valve Bracket and Cover Kit	Includes items 13 and 19
	M413650	Gas Valve Harness Assembly	Australian models; Use with item 8
	70184001	Gas Valve Harness	CE models; Use with item 8
	70239801	Primary Air Adjustment Sleeve	
	44257501	Gas Valve Coil Kit	Use to replace gas valve coils on 70457301P and 70457302P Valves
<b>1</b>	70262601	Pipe	
<b>2</b>	70139601	Pipe Nipple	
<b>3</b>	70071801	Tee	
<b>4</b>	70131901	Adapter	
<b>5</b>	70260101	Gas Valve Coil	24 Volt
<b>6</b>	M413650	Gas Valve Harness Assembly	
<b>7</b>	70260601	Valve Coil Bracket	
<b>8</b>	70457301P	N.G. Valve	
	70457302P	L.P. Valve	
<b>9</b>	431482	O-Ring	
<b>10</b>	431484	Screw	
<b>11</b>	70223501	Spud Adapter	
<b>12</b>	430497	Screw	
<b>13</b>	70233301	Gas Valve Bracket	
<b>14</b>	70457701	Valve Support Bracket	
<b>15</b>	23222	Screw	8 required
<b>16</b>	H86070034	Street Elbow	
<b>17</b>	70079601	Elbow	
<b>18</b>	70281603	Tube	
<b>19</b>	70233401	Gas Valve Cover	

**NOTE: For CE gas and orifice information, refer to installation manual.**

# Control Tray Harness



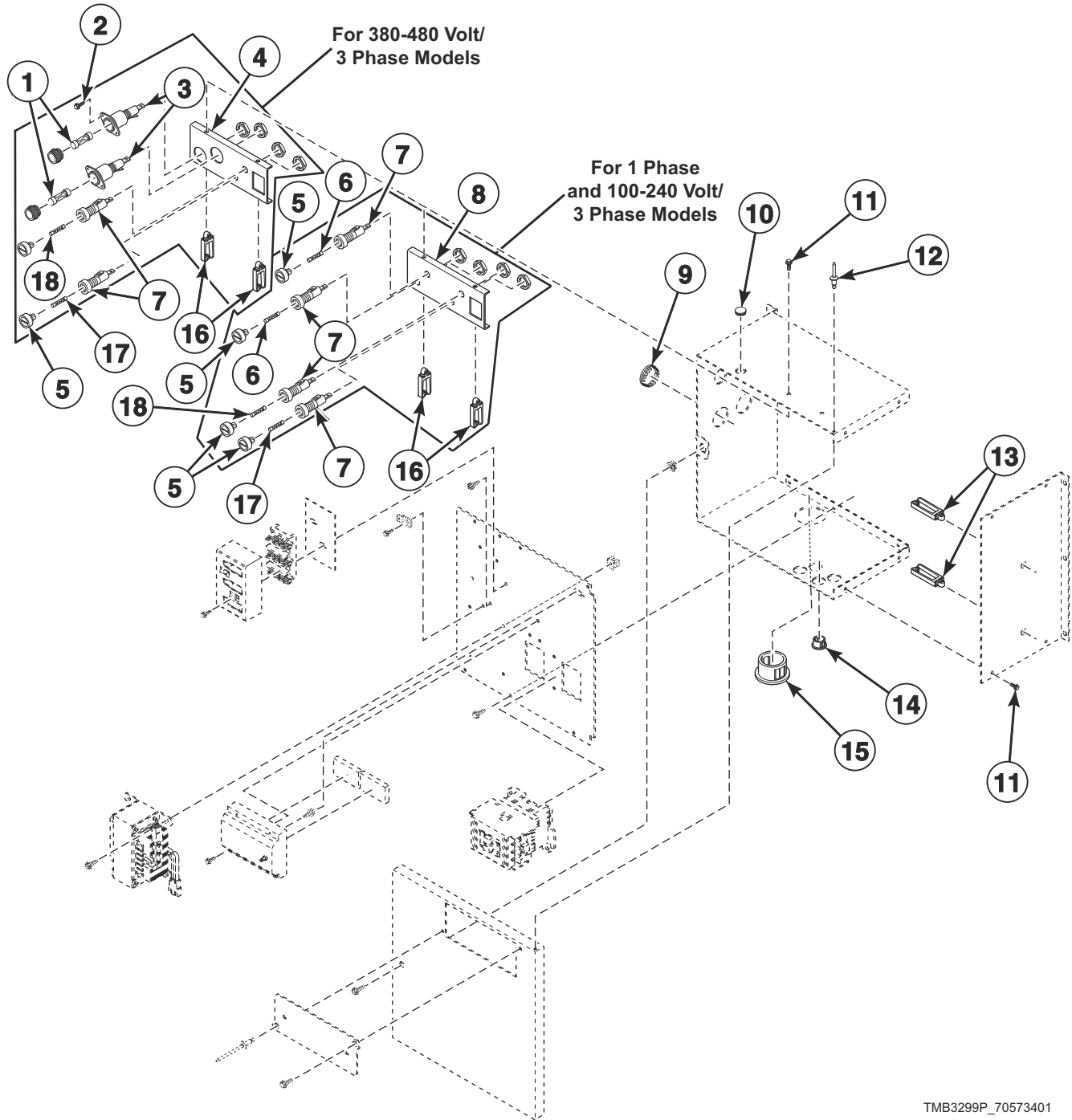
TMB3102P\_70573401



## Control Tray Harness

REF	PART NO.	DESCRIPTION	COMMENTS
1	70315801	Junction Box Harness	Dual secondary
2	44186701	Ignition Control Harness	Non-CE models
	44186901	Ignition Control Harness	CE and Australian models; Models with EO, RE, RU and UO control suffixes
	44136601P	Ignition Control Harness	CE and Australian models; Models with all other control suffixes
3	70347701P	Power Harness	Models through 2/28/10; Contactor; 1 Phase
	70316101P	Power Harness	Non-CE models; Models through 2/28/10; 3 Phase models with less than 380 Volts
	70332201	Power Harness	Models through 2/28/10; 3 Phase models with 380 Volts or more
	70445501	Power Harness	Models starting 3/1/10; Contactor; 1 Phase
	70439001	Power Harness	Non-CE models; Models starting 3/1/10; 3 Phase models with less than 380 Volts
	70438901	Power Harness	Models starting 3/1/10; 3 Phase models with 380 Volts or more
4	70316201	Power Harness	Models through 2/28/10; Upper pocket to lower pocket
	70439501	Power Harness	Models starting 3/1/10; Upper pocket to lower pocket
5	70320201	Motor Contactor Harness	Models through 2/28/10; 3 Phase
	44142601P	Motor Contactor Harness	Models starting 3/1/10; 3 Phase
6	70323601	High Voltage Lead	Models through 9/16/12; Use with 70367301P or 70367401P Ignition Control
	44239701	High Voltage Suppression Cable	Models starting 9/17/12; Use with 70458601, 70458701 or 70483201 Ignition Control
7	M413505	Jumper Harness Assembly	Non-CE models; 208 Volt/60 Hertz/1 Phase and 240 Volt/60 Hertz/1 Phase
	M413507	Jumper Configuration Assembly	CE models; Non-CE models with 230-240 Volt/50 Hertz/1 Phase, 200-208, 240 Volt/60 Hertz/3 Phase and 230-240 Volt/50 Hertz/3 Phase models with less than 380 Volts
	M413506	Jumper Harness Assembly	Non-CE models; 100, 200, 220 Volt/60 Hertz/1 Phase, 100, 200 Volt/50 Hertz/1 Phase and 200 Volt/50 Hertz/3 Phase models with less than 380 Volts
	M413508	Jumper Harness Assembly	Non-CE models with 380, 400-415 Volt/50 Hertz/3 Phase models with 380 Volts or more; CE 3 Phase models with 380 Volts or more
	M413510	Jumper Configuration Assembly	Non-CE models; 460-480 Volt/60 Hertz/3 Phase models with 380 Volts or more
8	M413863	Network Capacitor Assembly	3L, 3O, 3V and 3X control suffixes
9	M413878	Network Capacitor Harness Assembly	Models through 7/8/12; 3L, 3O, 3V and 3X control suffixes
	44143401P	Network Capacitor Harness Assembly	Models starting 7/9/12; Also order 00177 Male Tab Terminal; 3L, 3O, 3V and 3X control suffixes
10	70342101	Gas Disconnect Harness	CE models; Models through 2/28/10; Upper pocket
	70440501	Gas Disconnect Harness	CE models; Models starting 3/1/10; Upper pocket

# Control Tray Components - Non-CE and Non-Australian Models (Drawing 1 of 2)

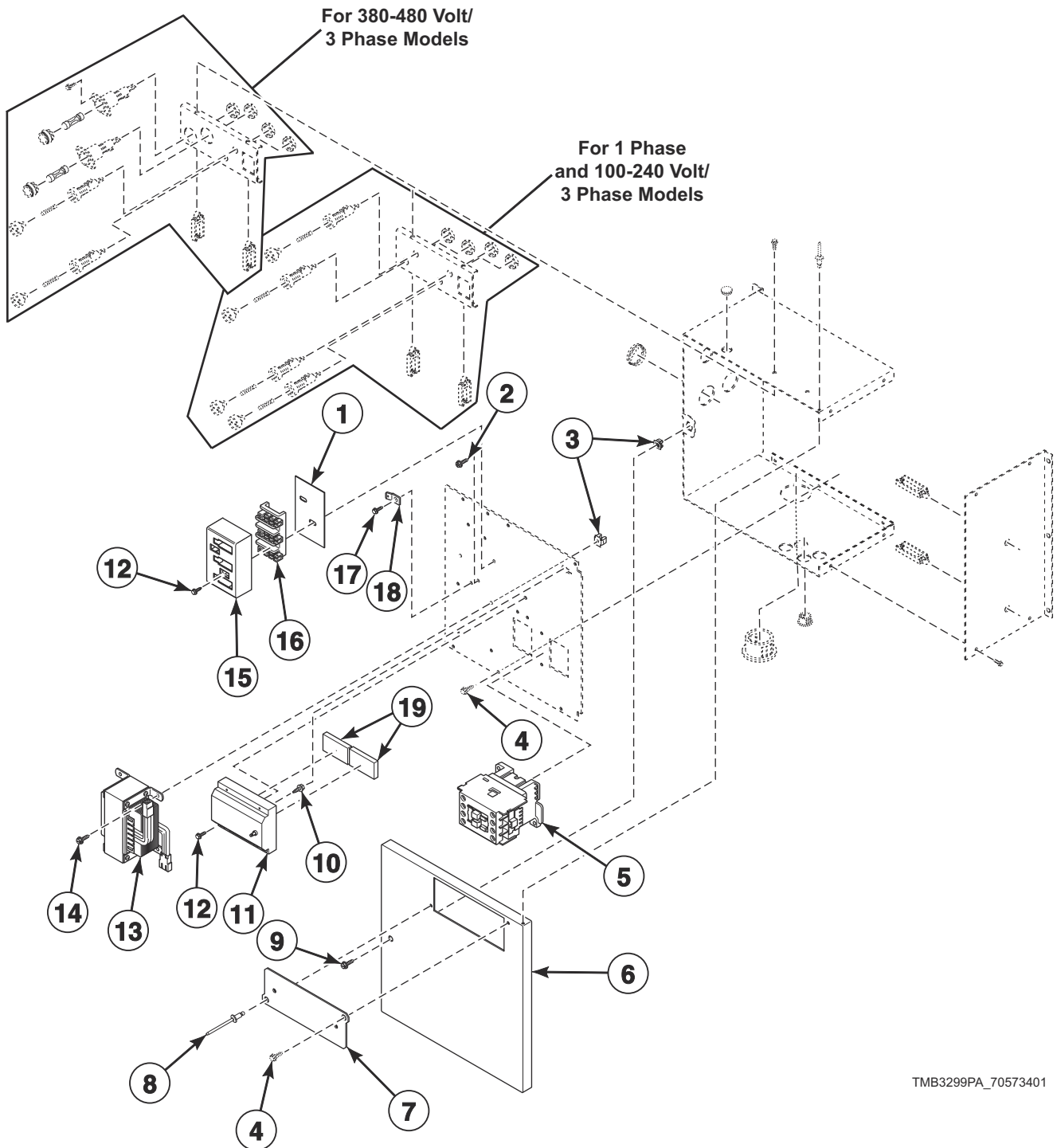


TMB3299P\_70573401

## Control Tray Components - Non-CE and Non-Australian Models (Drawing 1 of 2)

REF	PART NO.	DESCRIPTION	COMMENTS
1	44310001	Fuse	2 required; 3 Phase models with 380 Volts or more
2	D501086	Screw	4 required; 3 Phase models with 380 Volts or more
3	M413544P	Fuse Holder	2 required; 3 Phase models with 380 Volts or more; Models through 2/28/10
	44155601P	Fuse Holder	2 required; 3 Phase models with 380 Volts or more; Models starting 3/1/10
4	70313601	Fuse Bracket	3 Phase models with 380 Volts or more; Models through 2/28/10
	70313602	Fuse Bracket	3 Phase models with 380 Volts or more; Models starting 3/1/10
5	70329501	Fuse Holder Cap	3 required 1 Phase models; 4 required 3 Phase models with less than 380 Volts; 2 required 3 Phase models with 380 Volts or more
6	70406701	Fuse	1 required for 1 Phase; 2 required for 3 Phase models with less than 380 Volts; 2 Amp
7	70329401P	Fuse Holder Body	3 required 1 Phase models; 4 required 3 Phase models with less than 380 Volts; 2 required 3 Phase models with 380 Volts or more
8	70306901	Fuse Bracket	1 Phase and 3 Phase models with less than 380 Volts
9	M400985	Plug	2 required
10	M406124	Bushing	
11	51780	Screw	11 required
12	70058502	Pop Rivet	2 required
13	70366201	Wire Clip	3 required
14	70178701	Snap Bushing	Models with 3L, BL,KL, LL or WL control suffixes
15	M402542	Snap Bushing	
16	70347601	Wire Clip	2 required
17	70406601	Fuse	3.5 Amp
18	70406501	Fuse	1.25 Amp

# Control Tray Components - Non-CE and Non-Australian Models (Drawing 2 of 2)

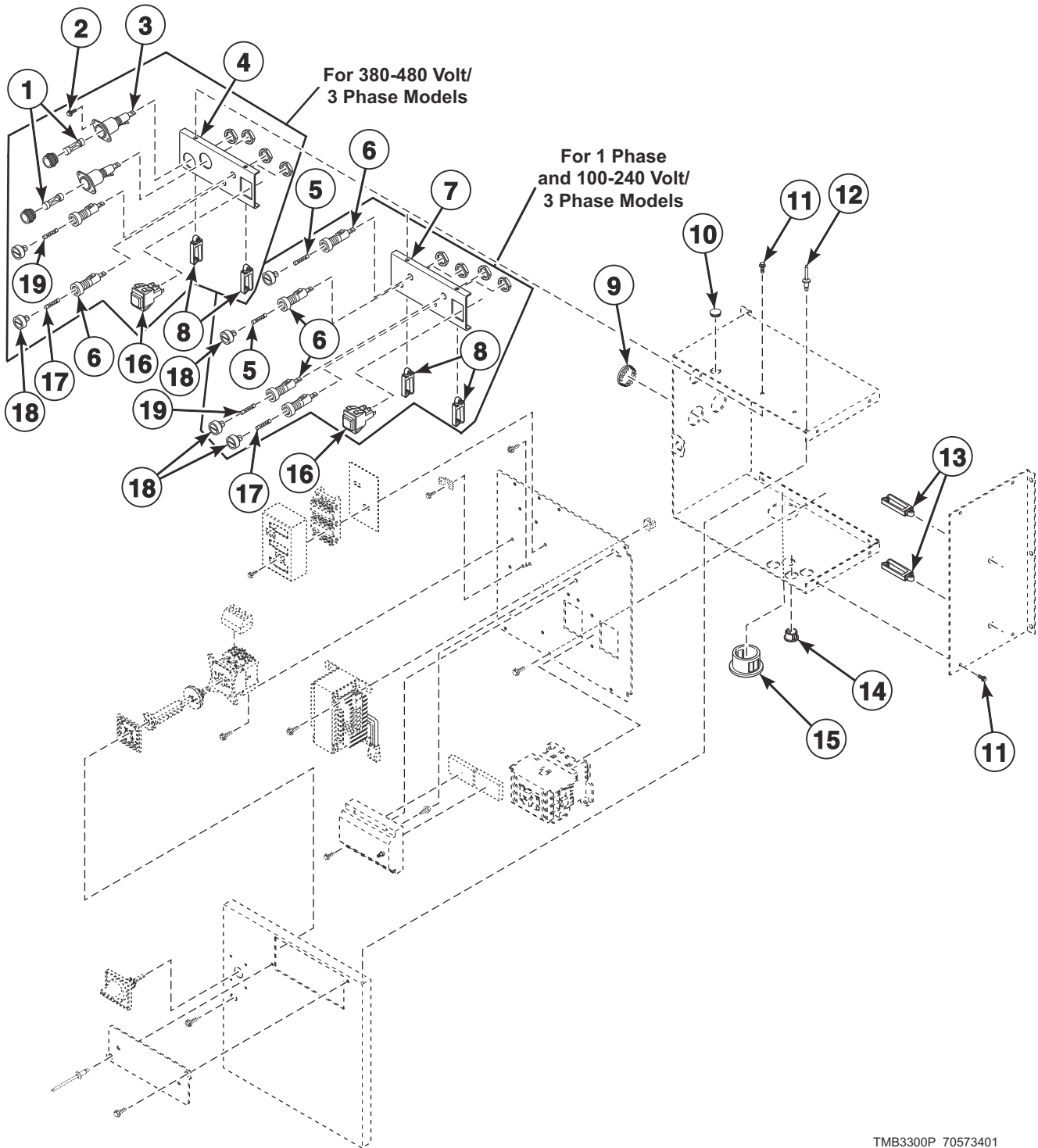


TMB3299PA\_70573401

## Control Tray Components - Non-CE and Non-Australian Models (Drawing 2 of 2)

REF	PART NO.	DESCRIPTION	COMMENTS
1	M413862	Insulator	
2	M402917	Screw	
3	70030501	Expansion Clip	5 required
4	51780	Screw	11 required
5	70323701P	Contactora	24 Volt
6	70313401	Contactora Box Cover	
7	70313301	Fuse Cover	
8	70058501	Pop Rivet	
9	33562	Screw	
10	38272	Screw	
11	70492501	Ignition Control Kit	Models through 9/16/12; Use with 44239701 High Voltage Suppression Cable
	70458601P	Ignition Control	Models starting 9/17/12; Use with 44239701 High Voltage Suppression Cable
12	51783	Screw	2 required
13	M414228P	Transformer	Multitap; 100, 200, 220 Volt/60 Hertz/1 Phase, 100, 200 Volt/50 Hertz/1 Phase and 230-240 Volt/50 Hertz/1 Phase models with 3L, 3O, 3V, 3X, LC, LL, LX, LY, NC, NJ, NR, NX, NY, WC, WL, WX, WY, ZC, ZR, ZX and ZY control suffixes; 3 Phase models with less than 380 Volts
	M414230P	Transformer	208-240 Volt/60 Hertz/1 Phase models with QT and SD control suffixes; 120, 208-240 Volt/60 Hertz/1 Phase models QT and SD control suffixes
	M414312P	Transformer	208-240 Volt/60 Hertz/1 Phase 3L, 3O, 3V, 3X, BC, BG, BL, BX, BY, KC, KL, KX, KY, LC, LL, LX, LY, NC, NJ, NR, NX, NY, WC, WL, WX, WY, ZC, ZR, ZX and ZY control suffixes
	M414229P	Transformer	Multitap; 3 Phase models with 380 Volts or more
14	M411072	Screw	4 required
15	70333001	Terminal Block Shield	
16	430642	Terminal Block	
17	430497	Screw	
18	00177	Male Tab Terminal	Ground
19	56128	Bumper Pad	2 required

# Control Tray Components - CE and Australian Models (Drawing 1 of 2)

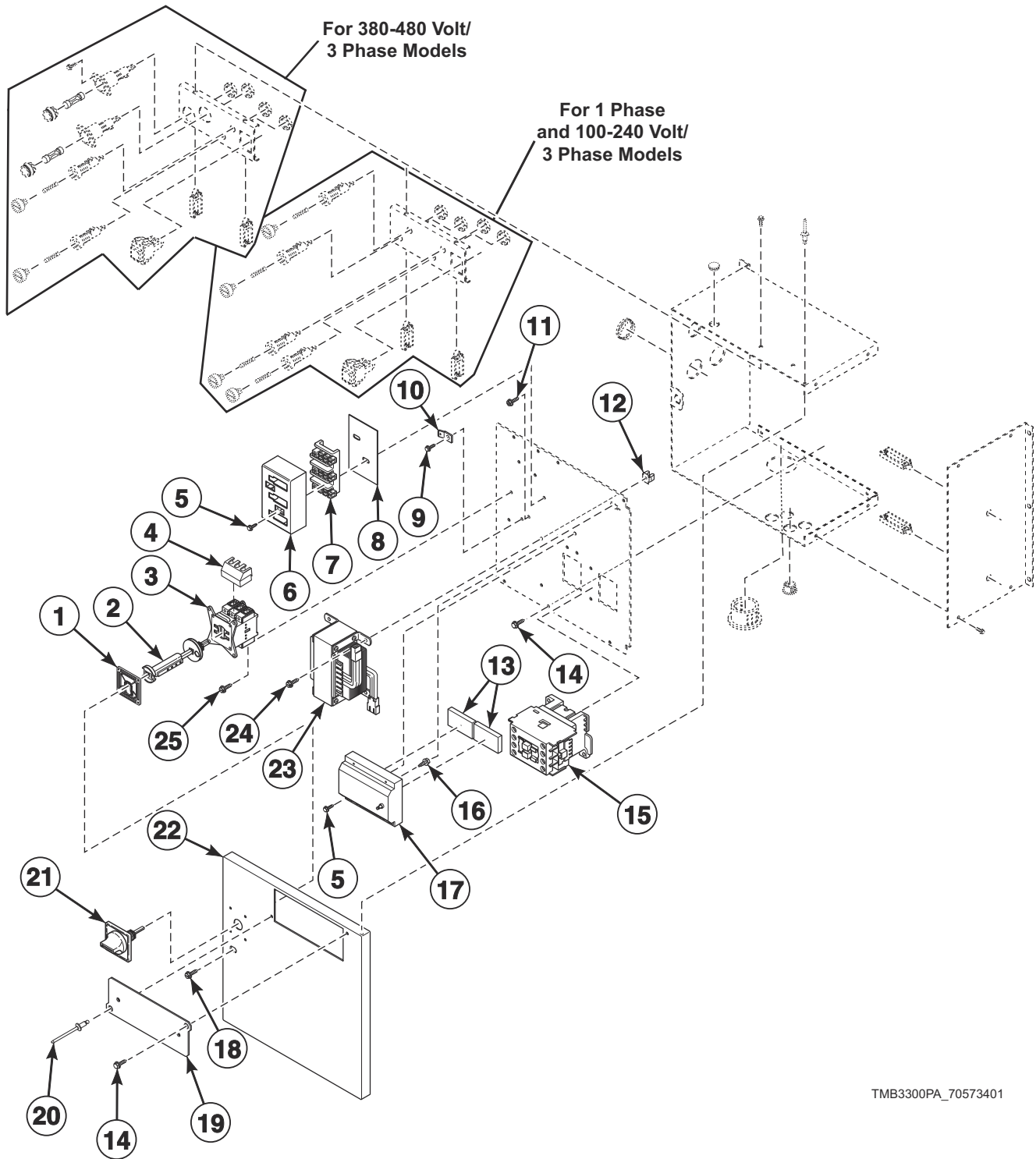


TMB3300P\_70573401

## Control Tray Components - CE and Australian Models (Drawing 1 of 2)

REF	PART NO.	DESCRIPTION	COMMENTS
1	44310001	Fuse	2 required for 3 Phase models with 380 Volts or more
2	D501086	Screw	3 Phase models with 380 Volts or more
3	M413544P	Fuse Holder	2 required for 3 Phase models with 380 Volts or more; Models through 2/28/10
	44155601P	Fuse Holder	2 required for 3 Phase models with 380 Volts or more; Models starting 3/1/10
4	70313601	Fuse Bracket	3 Phase models with 380 Volts or more; Models through 2/28/10
	70313602	Fuse Bracket	3 Phase models with 380 Volts or more; Models starting 3/1/10
5	70406701	Fuse	1 required 1 Phase models; 2 required 3 Phase models with less than 380 Volts; 2 Amp
6	70329401P	Fuse Holder Body	3 required 1 Phase models; 4 required 3 Phase models with less than 380 Volts; 2 required 3 Phase models with 380 Volts or more
7	70306901	Fuse Bracket	1 Phase and 3 Phase models with less than 380 Volts
8	70347601	Wire Clip	2 required
9	M400985	Plug	2 required
10	M406124	Bushing	
11	51780	Screw	11 required
12	70058502	Pop Rivet	2 required
13	70366201	Wire Clip	3 required
14	70178701	Snap Bushing	Models with 3L, BL, KL, LL and WL control suffixes
15	M402542	Snap Bushing	
16	M413431	Pushbutton Switch	
17	70406601	Fuse	3.5 Amp
18	70329501	Fuse Holder Cap	3 required 1 Phase models; 4 required 3 Phase models with less than 380 Volts; 2 required 3 Phase models with 380 Volts or more
19	70406501	Fuse	1.25 Amp

# Control Tray Components - CE and Australian Models (Drawing 2 of 2)



TMB3300PA\_70573401



## Control Tray Components - CE and Australian Models (Drawing 2 of 2)

REF	PART NO.	DESCRIPTION	COMMENTS
	70411001	ICM Reset Label	Ignition control
1	M412368	Door Interlock	Upper pocket; Models through 7/31/11
2	70342501P	Extension Handle	Upper pocket; Models through 7/31/11
3	M412187P	Mounting Switch Base	Upper pocket; Models through 7/31/11
4	M412366	Finger Guard	Upper pocket; Models through 7/31/11
5	51783	Screw	2 required
6	70333001	Terminal Block Shield	
7	430642	Terminal Block	
8	M413862	Insulator	
9	430497	Screw	
10	00177	Male Tab Terminal	Ground
11	M402917	Screw	
12	70030501	Expansion Clip	
13	56128	Bumper Pad	2 required
14	51780	Screw	11 required
15	70323701P	Contactactor	
16	38272	Screw	
17	70492601	Ignition Control Kit	CE models through 1/16/13; Australian models through 1/16/13 and starting again 4/1/13 through 7/31/13; Use with 44239701 High Voltage Suppression Cable
	70483201P	Ignition Control	CE models starting 1/17/13; Australian models starting 1/17/13 through 3/31/13 and starting again 8/1/13; Use with 44239701 High Voltage Suppression Cable
18	33562	Screw	Lower pocket
19	70313301	Fuse Cover	
20	70058501	Pop Rivet	
21	M412208	Handle	Upper pocket; Models through 7/31/11
22	70313402	Contactactor Box Cover	
23	M414228P	Transformer	Multitap; 1 Phase and 3 Phase models with less than 380 Volts
	M414229P	Transformer	Multitap; 3 Phase models with 380 Volts or more
24	M411072	Screw	4 required
25	51782	Screw	2 required; Upper pocket



# Parts Index

## A

Access Panel Trim	
70399406 .....	59, 61
Adapter	
70131901 .....	101
Airflow Switch and Arm Bracket	
70319601 .....	95
Airflow Switch Arm	
70319401 .....	95
Airflow Switch Cover	
70356601 .....	95
70465701 .....	95
Airflow Switch Vane	
70319201 .....	95
Airflow Switch Wrapper	
70356101 .....	95
Anti-Rattle Burner Assembly	
70546701 .....	93
Audit Switch Bracket	
70183901 .....	19, 21, 29
70292601 .....	27, 31

## B

Base Harness	
70449001 .....	67
Belt	
70276204P .....	83
Belt Tension Tool Kit	
M4853P3 .....	83
Blower Assembly	
70302201P .....	89
Blower Housing Cover Assembly	
70322801 .....	89
Blower Housing Scroll	
70303201 .....	89
Blower Inlet Cone	
70303101 .....	89
Blower Motor	
70297901P .....	89
70342601P .....	89
70401401 .....	89
Blower Motor Mounting Plate	
70303401 .....	89
Bolt	
70062401 .....	83
Bumper Pad	
56128 .....	107, 111
Burner Grill	
70306501 .....	93
Burner Orifice	
M400997 .....	99
M401000 .....	99
M401002 .....	99
M401007 .....	99
M401014 .....	99
M401020 .....	99
M402980 .....	99

M402988 .....	99
M402992 .....	99
M402995 .....	99
M406361 .....	99
M411373 .....	99
M411375 .....	99
M411376 .....	99
M411510 .....	99
M411511 .....	99
M411512 .....	99

Bushing	
M406124 .....	105, 109
Buzzer Kit	
M4860P3 .....	15
Bypass Harness	
70364103 .....	15, 17, 21, 29, 33, 39, 47, 49

## C

Cam and Hinge Kit	
M4772P3 .....	57
M4773P3 .....	57
Card Reader and Bracket Assembly	
D510068P .....	33
Card Reader Harness Assembly	
70211801 .....	33
Card Reader Network Harness Assembly	
70206601 .....	33
Card Reader Overlay	
70334201 .....	21, 39
70334301 .....	21
Center Cylinder Seal	
70066005 .....	79
Center Partition	
70639101 .....	79
Center Trim	
70299601 .....	65
Center Trim Overlay	
70299701 .....	65
Central Pay Harness	
70484501 .....	21, 37, 45
70491501 .....	17
70491502 .....	17
Central Pay Interface Control Assembly	
209/00471/75 .....	17
Chassis Mounting Bracket	
70119001 .....	21, 29
Chassis Mounting Bracket Assembly	
70419201 .....	39
Clip	
70226701 .....	79, 87
Coin Cover Overlay	
70246301 .....	21, 45
Coin Drop	
38963P .....	23
39748 .....	23
70256402P .....	23
70429001 .....	23
70441601P .....	23

N/A items do not appear in index.

Coin Drop Assembly		70462304P .....	17
CK114 .....	23	70462367P .....	17
210195 .....	23	70462368P .....	17
210196 .....	23	70462370 .....	17
38462P .....	23	70462371 .....	17
38463 .....	23	70503101P .....	15
38464P .....	23	70503702P .....	49
38467 .....	23	Control Chassis Mounting Bracket	
38472 .....	23	70357901 .....	15
38475 .....	23	Control Door and Studs Assembly	
38519 .....	23	70441001 .....	49
38521 .....	23	70441101 .....	49
39157 .....	23	70497401 .....	21, 29, 39
70441602 .....	23	70498001 .....	31
70447301 .....	23	70498401 .....	21, 47
70471601 .....	23	Control Door Assembly	
70482401 .....	23	70175911 .....	33
Coin Drop Kit		70361201 .....	15
CK077 .....	23	Control Door Latch	
CK122 .....	25	431318 .....	15, 21, 31, 33, 37, 39, 45, 47
CK123 .....	23	Control Door Latch Kit	
Coin Identification Paper		70559502 .....	17, 19, 31, 37, 45
38725 .....	23	Control Housing	
Coin Vault Assembly		70119901 .....	63
70180101 .....	67	Control Housing Cover	
Coin Vault Switch Harness		70307002 .....	35, 41
70364104P .....	17, 19, 31, 37, 45	70307003 .....	29
Coin Vault Trim		Control Kit	
70117501 .....	67	D505905P .....	29, 31, 33
70117502 .....	67	Control Mounting Bracket Assembly	
Communication Board		70420201 .....	29
210095P .....	35	Control Overlay	
210097 .....	43	70410101 .....	37
Communication Board Bracket		70410102 .....	37
70323101 .....	43	70417601 .....	39
Communication Connector		70443401 .....	37
210099 .....	43	70443501 .....	37
Communication Harness Assembly		70449401 .....	37
70211101 .....	35	70472101 .....	45
Contact Base		70472102 .....	45
F8538101 .....	69	70472901 .....	47
Contact Block		Control Panel Harness	
44018701 .....	69	44240301 .....	49
44018901 .....	69	70315501P .....	19, 21, 29, 33
Contact Block Switch		70367001P .....	15
F200233401P .....	69	70368001P .....	21, 29, 31, 33
Contact Switch		70410401P .....	37, 39, 45, 47
F8069501 .....	69	70485301 .....	17
Contactactor		70489901 .....	17
70323701P .....	107, 111	Control Plate Assembly	
Contactactor Box Cover		70365601 .....	15
70313401 .....	107	Control Plate Kit	
70313402 .....	111	70279301P .....	17
Control Assembly		70291101P .....	19, 27, 31, 37
D511867P .....	19, 21	70291201P .....	19, 27, 45
D512202P .....	15	Control Trim	
D514273P .....	19, 21	70116901 .....	65
70434101P .....	49	70116902 .....	65
70437102P .....	49	70116903 .....	65
70437103P .....	49	70116904 .....	65
70437104P .....	49	70117001 .....	65
70437105P .....	49	Cylinder and Trunnion Assembly	
70450501P .....	37, 39	70444001P .....	75
70450502P .....	45, 47	70444002 .....	75
70454101P .....	49	70444003 .....	75
70462303P .....	17		

N/A items do not appear in index.

Cylinder Assembly	
70372901P .....	75
70372902P .....	75
70372903 .....	75
Cylinder Bearing Stud Plate Assembly	
430352 .....	77, 79
Cylinder Guide Tool	
263P4 .....	75
Cylinder Idler Arm	
70259901 .....	83
Cylinder Motor Harness	
70316701P .....	83
70316801P .....	83
70439901 .....	83
70440301 .....	83
Cylinder Rib Assembly	
70433001 .....	75
Cylinder Shroud	
70301901 .....	79
70301902 .....	79

## D

Direct Air Kit	
70522901P .....	93
Display Assembly	
D512218P .....	15
Door Assembly	
44028902P .....	51, 53
44028903 .....	51
44028905P .....	51
44029101 .....	51
44058102P .....	51
44058104P .....	51
44112101 .....	51
44266702P .....	51
44292301B .....	51
44292301LG .....	51
70407401 .....	51
Door Glass	
44008401P .....	55
44008402P .....	55
Door Glass Installation Tool	
M4221P4 .....	55
Door Handle	
44007901 .....	53
44057702 .....	53
44111901 .....	53
44263801 .....	53
Door Hinge Assembly	
44075205* .....	57
44075206 .....	57
44075209B .....	57
44075209LG .....	57
44075212 .....	57
Door Hinge Lug Assembly	
44035001 .....	57
44035002 .....	57
Door Interlock	
M412368 .....	111
Door Latch	
M401223 .....	63, 67
Door Ring and Handle Assembly	
44112001 .....	53

44326007B .....	53
44326007LG .....	53
Door Ring Assembly	
44326002 .....	53
44326003B .....	53
44326004B .....	53
44326004HG .....	53
44326005 .....	53
44326006 .....	53
Door Ring Gasket	
44008201P .....	55
Door Seal Kit	
70211902P .....	55
Door Switch Actuator Kit	
70215001P .....	57
Double Ended Stud	
70334701 .....	83
Drive Access Cover	
70202501 .....	83
Drive Motor	
70298401P .....	85
70392901P .....	85
70401501 .....	85
70401601 .....	85
70401701 .....	85
70401801 .....	85
Drum Idler Spring	
70045301 .....	83
Drywall Screw Magnet Kit	
70343101P .....	75
Duct Access Cover	
70308701 .....	87
Duct Cover	
70307601 .....	87

## E

Elbow	
70079601 .....	101
Electronic Coin Drop Assembly	
70294103P .....	23
70294104 .....	23
70294106 .....	23
70294107 .....	23
70294111 .....	23
70294117 .....	23
70294119 .....	23
70294120 .....	23
70294121 .....	23
70513311 .....	23
Electronic Coin Drop Harness	
44065801 .....	23
Electronic Coin Drop Kit	
CK099 .....	23, 25
CK100 .....	25
CK101 .....	25
CK103 .....	25
CK108 .....	25
CK109 .....	25
CK113 .....	25
CK115 .....	25
CK116 .....	25
CK117 .....	25
CK118 .....	25
CK119 .....	25

N/A items do not appear in index.

CK120 .....	25
CK121 .....	25
Emergency Stop Button Kit F200233700P .....	69
Emergency Stop Harness 70364101P .....	69
70364102 .....	69
Emergency Stop Label 44012901 .....	69
Emergency Stop Pushbutton F200233500 .....	69
End Cap 70070101 .....	75
70070102 .....	75
Ethernet Gateway Kit NK320 .....	37, 39, 45, 47
Exhaust Duct Assembly 70311901 .....	87
70311902 .....	87
Exhaust Duct Gaskets Assembly 70302801P .....	87
Exhaust Pipe Assembly 70425801 .....	87
Expansion Clip 70030501 .....	79, 107, 111
Extension Handle 70342501P .....	111

## F

Fan Motor Harness 70317001 .....	89
70440001P .....	89
70440401 .....	89
Fan Spacer 70599301 .....	89
Finger Guard M412366 .....	111
Forward Valve Cover 70328201 .....	97
Front Cylinder Seal 70173402 .....	59, 61
Front Panel Baffle Seal 70017301 .....	63, 65, 67
Fuse 44310001 .....	105, 109
70406501 .....	105, 109
70406601 .....	105, 109
70406701 .....	105, 109
Fuse Bracket 70306901 .....	105, 109
70313601 .....	105, 109
70313602 .....	105, 109
Fuse Cover 70313301 .....	107, 111
Fuse Holder M413544P .....	105, 109
44155601P .....	105, 109
Fuse Holder Body 70329401P .....	105, 109
Fuse Holder Cap 70329501 .....	105, 109

N/A items do not appear in index.

## G

Gas Burner 70229801P .....	93
Gas Disconnect Harness 70342101 .....	103
70440501 .....	103
Gas Valve 44154501P .....	97
44154502P .....	97
Gas Valve and E-Clip Kit 44257501 .....	101
Gas Valve Bracket 70233301 .....	101
Gas Valve Coil 70260101 .....	101
Gas Valve Cover 70233401 .....	101
70425001 .....	93
Gas Valve Harness 70184001 .....	101
Gas Valve Harness Assembly M413650 .....	101
Gasket 70289101P .....	87
70392701P .....	89
Graphic Overlay 70279101 .....	17
70279201 .....	17
70279202 .....	17
70462601 .....	17
70462602 .....	17
70462603 .....	17
70468201 .....	17

## H

Handle M412208 .....	111
Handle Bar 70399501B .....	55
Harness Assembly M412997 .....	97
High Voltage Lead 70323601 .....	103
High Voltage Suppression Cable 44239701 .....	103

## I

ICM Reset Label 70411001 .....	111
Idler Bracket 70443301 .....	83
Idler Wheel Assembly 70050401P .....	83
Igniter Cover 70159601 .....	93
Ignition Control 70458601P .....	107
70483201P .....	111

Ignition Control Harness	
44136601P .....	103
44186701 .....	103
44186901 .....	103
Ignition Control Kit	
70492501 .....	107
70492601 .....	111
Instruction Label	
70418101 .....	59, 61
Insulator	
M413862 .....	107, 111

## J

Jumper Calibration Assembly	
70211703P .....	31, 33
Jumper Calibration Wire	
70324603 .....	15, 19, 29, 37, 39, 45, 47, 49
Jumper Configuration Assembly	
M413507 .....	103
M413510 .....	103
Jumper Harness Assembly	
M413505 .....	103
M413506 .....	103
M413508 .....	103
Junction Box Harness	
70315801 .....	103

## K

Key	
70144101 .....	89
70155601 .....	63
70155602 .....	71
Kickplate	
70117605 .....	67
70117606 .....	67

## L

Label	
70286602 .....	63
70289802 .....	63
70414001 .....	63
Latch Mounting Bracket	
70119801 .....	15
70184501 .....	21, 29, 31, 33, 37, 39, 45, 47
Limit Thermostat	
M409219 .....	93
M411307 .....	89
70299001 .....	93
Lint Drawer Front Assembly	
70323001 .....	71
70323002 .....	71
Lint Drawer Gasket	
70300201P .....	65, 67
Lint Drawer Handle	
70320801 .....	71
70320802 .....	71
Lint Drawer Handle Plate	
70323201 .....	71

Lint Frame Gasket	
70333103 .....	71
Lint Panel and Studs Assembly	
70323004 .....	71
Lint Screen Assembly	
70301201 .....	71
Lint Screen Bracket	
70026901 .....	71
Lock, Key and Nut Kit	
44089301P .....	63
44089302P .....	71
Lower Card Reader Harness	
70420101P .....	29
Lower Front Panel	
70303909DG .....	61
70303909LG .....	61
70303910DG .....	61
70303910LG .....	61
70303911DG .....	61
70391405 .....	61
70391406 .....	61
Lower Front Panel Assembly	
70391401*P .....	61
70391402P .....	61
70391403*P .....	61
70391404P .....	61
Lower Pan	
70560601 .....	79
L.P. Conversion Kit	
M4880P3 .....	97, 101
L.P. Valve	
44154504 .....	97
70457302P .....	101
L.P. Valve Conversion Kit	
M405434P .....	101

## M

Main Harness	
70346001P .....	15, 19, 21, 29, 37, 39
70346002P .....	31, 33, 37, 39
70419901P .....	29
70441401 .....	15, 17, 19, 21, 37, 39, 45, 47, 49
Male Tab Terminal	
00177 .....	15, 107, 111
Manual Reset Thermostat	
70186301 .....	93
Membrane Switch	
D510036P .....	19, 21, 29, 31, 33
Moisture Sensor Harness Assembly	
70448901 .....	91
Moisture Sensor Test Wires	
70468901 .....	91
Motor Capacitor	
70413101 .....	85
70413201 .....	85
70435701 .....	85
70435702 .....	85
Motor Channel	
70261701 .....	83
Motor Conduit Mounting Bracket	
70321701 .....	83, 89
Motor Contactor Harness	
44142601P .....	103

N/A items do not appear in index.

70320201 .....	103
Motor Mount Bracket	
70312001 .....	83
Motor Pulley	
70284204 .....	83
70284208 .....	83
Mounting Bracket	
70179001 .....	17
Mounting Plate	
70208801 .....	21, 29, 39, 47
Mounting Switch Base	
M412187P .....	111

## N

Nameplate	
B12389801 .....	63
39564 .....	37
44046801 .....	63
44062901 .....	63
44129908 .....	63
70521201 .....	73
Nameplate Overlay	
44144401 .....	55
70411401 .....	55
Network Board	
210157P .....	35
Network Board Assembly	
201341 .....	41
210016P .....	35
Network Cable	
210165 .....	35
Network Capacitor Assembly	
M413863 .....	103
Network Capacitor Harness Assembly	
M413878 .....	103
44143401P .....	103
Network Controller Kit	
NK220 .....	37, 39
Network Retrofit Kit	
NK207 .....	37, 39
Network Wire Harness Assembly	
44088501P .....	41
800217 .....	35
Nut	
M400022 .....	77, 89
M400034 .....	77, 89
M400035 .....	91
M412986 .....	75, 77, 83
M414215 .....	55
21899 .....	79
23951 .....	57
24205 .....	15
27222 .....	83
29786 .....	19, 27, 31, 89
29787 .....	15, 17, 29
29796 .....	83
430576 .....	79
44087101 .....	71
44088001 .....	55
44088801 .....	63, 71
56156 .....	83
70030401 .....	79
70054 .....	15, 21, 29, 33, 49
70288801 .....	79

N.G. Valve	
44154503 .....	97
70457301P .....	101

## O

Opto Coupler	
200674P .....	23
Orifice Adapter	
70552801P .....	97
Orifice Holder Bracket	
70248901 .....	97
Orifice Keeper Bracket	
70249001 .....	97
O-Ring	
431482 .....	101
Output Bracket	
44223101 .....	49
Output Harness	
44186101 .....	49
Overlay	
44147801 .....	31
70129501 .....	19
70129601 .....	19
70129701 .....	19
70129801 .....	19
70184101 .....	31
70184102 .....	31
70184201 .....	33
70235101 .....	33
70257801 .....	19
70257802 .....	19
70258101 .....	19
70258102 .....	19
70261101 .....	19
70261102 .....	19
70261301 .....	19
70275401 .....	21
70283301 .....	19
70283401 .....	19
70286701 .....	21
70286801 .....	21
70299901 .....	73
70300001 .....	73
70304201 .....	21
70321001 .....	19
70325301 .....	73
70335801 .....	21
70336001 .....	21
70351501 .....	21
70361301 .....	15
70361401 .....	15
70362301 .....	65
70362701 .....	65
70363101 .....	73
70381101 .....	73
70381201 .....	73
70396001 .....	73
70408001 .....	73
70408002 .....	73
70411801 .....	21
70413601 .....	31
70413602 .....	31
70413801 .....	73
70413901 .....	31
70413902 .....	31

N/A items do not appear in index.



70416301	33
70416401	33
70417901	29
70418001	29
70428701	73
70428702	73
70428801	73
70428802	73
70428901	73
70445102	49
70452601	19
70452602	19
70452701	19
70452702	19
70452801	21
70452901	21
70461001	73
70462801	49
70463002	49
70466702	49
70467102	49
70472302	49
70472502	49
70492001	19, 21
70492002	19
70493801	49
70493901	15
70494101	73
70504801	15
70505001	49
70505301	19
70505302	19
70506201	73
70506301	73
70506801	21
70508901	19
70509101	49
70509301	65
70509501	65
70509801	21
70509901	19
70510001	19
70510101	19
70510201	19
70510301	19
70510401	19
70511101	21
70511201	21
70511301	19
70511401	21
70511501	73
70525901	49
70537501	19

## P

Panel Clip	
M406494	63
Panel Latch	
70399201	71
Panel Latch Kit	
70399201P	71
Panel Locator	
56079	15, 29
PC Board Standoff	
210098	43

Pin	
70071401	57
Pipe	
70262601	97, 101
Pipe Clip	
70203701	93
Pipe Nipple	
431486	97
70139601	101
Pipe Tee	
70267501	97
Plug	
M400985	105, 109
Pop Rivet	
M400003	15, 21, 31, 33, 37, 39, 45, 47, 63
44166601	67
44251101	63
70058501	57, 79, 97, 107, 111
70058502	105, 109
70126301	55, 67
70126401	67
70412601	55
Porcelain Touch-Up Paint	
122P4P	81
215P4P	81
370P4P	81
Power Harness	
70316101P	103
70316201	103
70332201	103
70347701P	103
70438901	103
70439001	103
70439501	103
70445501	103
Primary Air Adjustment Sleeve	
70239801	97, 101
Pushbutton	
44018801	69
Pushbutton Switch	
M413431	109
70413301	19, 21, 27, 29, 31, 63, 67

## R

Rear Bearing Shim	
70355001	77
Rear Cylinder Bearing Housing	
70013901	77
Rear Cylinder Channel	
70305201	75
70305202	75
Rear Cylinder Channel Plate	
70305301	75
Rear Cylinder Seal	
70013703	77, 79
Rear Cylinder Seal Support	
70506403	77, 79
Rear Panel	
70301701	79
Rear Stabilizer Bracket	
70200301	89
Rear Valve Cover	
70282401	97

N/A items do not appear in index.

Replacement Gas Valve Kit	
M4970P3 .....	97
M4972P3 .....	97
Rocker Switch	
44099601 .....	29
70455101 .....	15
70461301 .....	15
Roller and Seal Kit	
70616701 .....	79
Roller Seal	
70443601 .....	79
Roller Shaft	
70249501 .....	79
Roller Support Bracket	
70301401 .....	79

## S

Screw	
D501086 .....	105, 109
D501524 .....	15, 19, 21, 29, 31, 33, 37, 39, 45, 47, 49
D503661 .....	41
M400661 .....	55
M402917 .....	107, 111
M405188 .....	65
M411072 .....	87, 107, 111
05161 .....	93
23222 .....	83, 89, 101
33562 .....	107, 111
38272 .....	107, 111
430497 .....	29, 75, 79, 83, 87, 89, 93, 95, 97, 101, 107, 111
430648 .....	83
430756 .....	55
431484 .....	101
431539 .....	83
44349101 .....	57
51780 .....	89, 105, 107, 109, 111
51782 .....	111
51783 .....	107, 111
52909 .....	35, 41
61199 .....	55
62588 .....	75
70033502 .....	57, 63, 67
70069901 .....	67
70126101 .....	89
70182601 .....	63, 67
70247701 .....	79
70275801 .....	65, 67
70391101 .....	75
70407301 .....	57
70442101 .....	55, 57
70566401 .....	83
Shadow Box Clip	
M400972 .....	63, 67
Sheet Metal Edge Gasket	
70015707 .....	79
70015708 .....	79
Side Panel	
70301801DG .....	79
70301801LG .....	79
70301801*P .....	79
Sleeve	
44050601 .....	17
Slip Ring Assembly	
44222701 .....	91

N/A items do not appear in index.

Slip Ring Holder	
70455401 .....	91
Slot Card Plate Assembly	
44089501 .....	21, 29, 39, 47
Snap Bushing	
M400770 .....	97
M402542 .....	105, 109
70178701 .....	105, 109
Spacer	
431264 .....	63
Spark Electrode	
70032801P .....	93
70548701P .....	93
Spray Paint	
297P4 .....	81
298P4P .....	81
381P4 .....	81
382P4 .....	81
Spud Adapter	
70223501 .....	101
Standoff	
211/00119/00 .....	17
Stove Back	
70375201 .....	93
Stove Limit Harness	
70316501 .....	93
Stove Limits Harness	
70316501 .....	93
Stove Limits Kit	
M4903P3 .....	93
Stove Top and Sides	
70306001 .....	93
Street Elbow	
H86070034 .....	97, 101
Support Bearing	
70448701 .....	77
Switch	
431159 .....	79
70411901 .....	95
Switch Bracket	
70356301 .....	95

## T

Tee	
70071801 .....	97, 101
Temperature Knob	
44104601 .....	15
Temperature Selector Switch	
D511711 .....	15
Temperature Selector Switch Bracket	
70391701 .....	15
Terminal Block	
430642 .....	107, 111
Terminal Block Shield	
70333001 .....	107, 111
Terminating Resistor	
210162 .....	43
Thermistor	
M414704 .....	89
Thermistor Cover	
70346301 .....	89

Thermostat Cover		70409301 .....	55
M414477 .....	93	70411301 .....	75, 77
Top Panel		Wire Clip	
70302001 .....	79	70347601 .....	105, 109
Top Panel Assembly		70366201 .....	29, 89, 105, 109
70357801 .....	79	Wire Guard	
Transformer		201595P .....	23
M414228P .....	107, 111	Wireless Network Kit	
M414229P .....	107, 111	NK301 .....	37, 39, 45, 47
M414230P .....	107	Wireless Transceiver Assembly	
M414312P .....	107	202335 .....	41
Trunion and Seal Kit			
70564805 .....	75		
70564806 .....	75		
Tube			
70281602 .....	97		
70281603 .....	101		
Tumbler Dolly Kit			
M4379P4 .....	67		

---

## U

Upper Card Reader Harness			
70420001P .....	29		
Upper Front Panel			
70304005DG .....	59		
70532901 .....	59		
Upper Front Panel Assembly			
70304004LG .....	59		
70304006W .....	59		
70304007 .....	59		
70391501*P .....	59		
70391502P .....	59		
70391503P .....	59		
70391504 .....	59		
70391505 .....	59		
USB Gateway Kit			
NK330 .....	37, 39		
USB IR Interface Kit			
203346 .....	37, 39, 45, 47, 49		

---

## V

Valve Bracket and Cover Kit			
M4746P3 .....	101		
Valve Coil Bracket			
70260601 .....	101		
Valve Support Bracket			
70457701 .....	101		

---

## W

Warning Label			
70534301 .....	63, 65, 67		
Washer			
F431131 .....	89		
M400080 .....	75		
M400991 .....	77		
70261401 .....	79		
70265901 .....	83		
70270301 .....	83		
70292801 .....	27		

N/A items do not appear in index.

