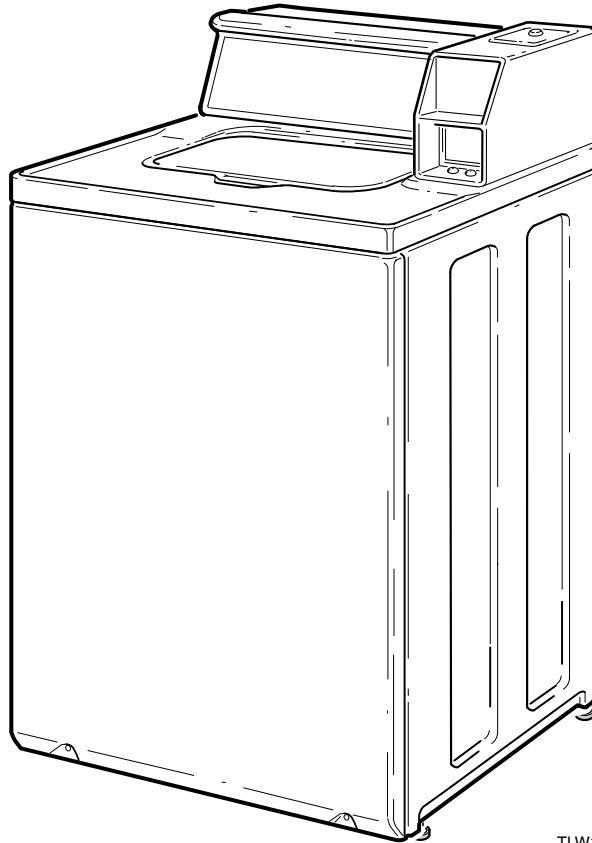


# Commercial Topload Washers

Refer to Page 3 for Model Numbers



TLW13C\_202201



# Table of Contents

Title	Page
Parts Ordering Information.....	2
Nameplate Location .....	2
Model Identification .....	3
Coin Drop, Meter Case and Service Door .....	4
Electronic Coin Drop .....	6
Control Panel, Control Hood and Controls (Drawing 1 of 4) .....	8
Control Panel, Control Hood and Controls (Drawing 2 of 4) .....	10
Control Panel, Control Hood and Controls (Drawing 3 of 4) .....	12
Control Panel, Control Hood and Controls (Drawing 4 of 4) .....	14
Control Hood Security Kit.....	16
Lid and Cabinet Top.....	18
Lid Switch.....	20
Fill Hose, Mixing Valve-to-Tub Cover Hose, Mixing Valve and Bracket.....	22
Motor, Mounting Bracket, Belt, Pump and Idler Assembly.....	24
Agitator, Drive Bell, Hub and Lip Seal Kit and Washtub .....	26
Outer Tub, Cover, Bearing and Seal Housing, Pressure Hose and Counterweight.....	28
Transmission Assembly .....	30
Drain Hoses and Siphon Break Kit .....	32
Weldment and Bearing Assembly, Brake and Pulley.....	34
Front Panel, Base Assembly and Cabinet Kit .....	36
Mixing Valve and Motor Disconnect Blocks, Terminals and Terminal Extractor Tool .....	38
Lead-In Cord .....	40
Terminals .....	42
Shipping Materials and Special Tools .....	44
Special Tools .....	46
Wire Harnesses and Wires .....	48
Parts Index.....	51

© Copyright 2013, Alliance Laundry Systems LLC

All rights reserved. No part of the contents of this book may be reproduced or transmitted in any form or by any means without the expressed written consent of the publisher.

## Parts Ordering Information

If literature or replacement parts are required, contact the source from whom the machine was purchased or contact Alliance Laundry Systems at (920) 748-3950 for the name and address of the nearest authorized parts distributor.

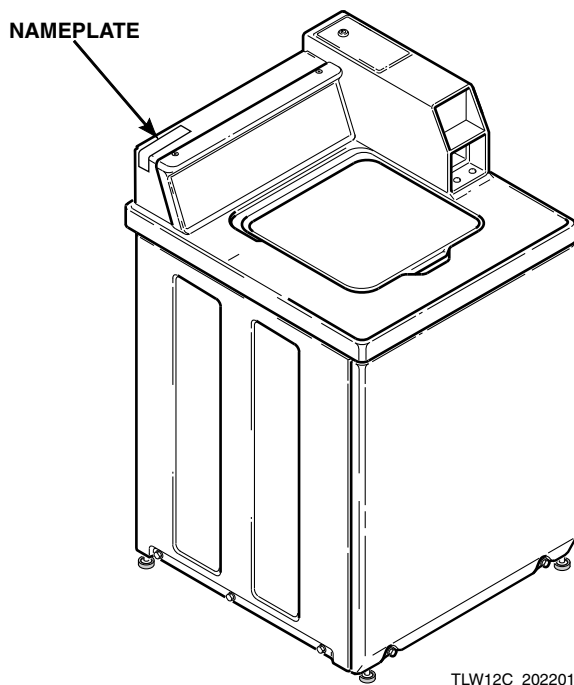
For technical assistance, call either of the numbers listed below:

(920) 748-3121 Ripon, Wisconsin

+32 56 41 20 54 Wevelgem, Belgium

## Nameplate Location

When calling or writing about your product, be sure to mention model and serial numbers. Model and serial numbers are located on nameplate(s) as shown.



TLW12C\_202201

## Model Identification

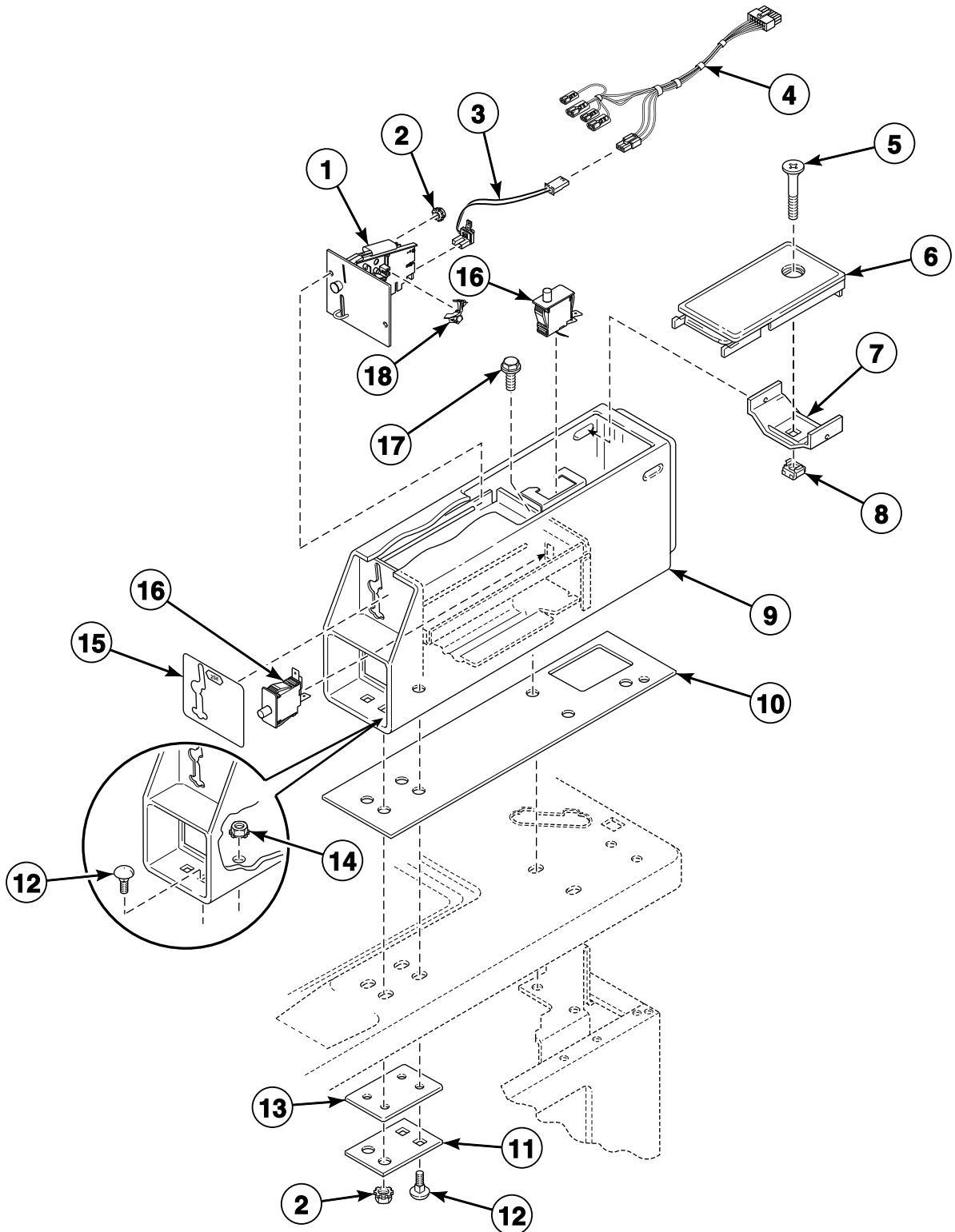
Information in this manual is applicable to these washer models:

HWNLX2SP111CW01  
HWNLE2SP111CW01  
HWNLE2SP111CWNA  
HWNLY2SP111CW01

SWNLC2PP111TW01  
SWNLC2PP111TW02  
SWNLC2PP111TWNA  
SWNLC2SP111TQ01  
SWNLC2SP111TW01  
SWNLC2SP111TW02  
SWNLC2SP111TWNA  
SWNLX2PP111TW02  
SWNLX2SP111TW01  
SWNLX2SP111TW02  
SWNLX2SP301AW01  
SWNLY2PP111TW01  
SWNLY2PP111TWNA  
SWNLY2SP111TW01  
SWNLY2SP111TWNA  
SWNLY2SP301NW22

# Coin Drop, Meter Case and Service Door

Models HWNLX2SP111CW01, HWNLE2SP111CW01, HWNLE2SP111CWNA, SWNLC2PP111TW01, SWNLC2PP111TW02, SWNLC2PP111TWNA, SWNLC2SP111TQ01, SWNLC2SP111TW01, SWNLC2SP111TW02, SWNLC2SP111TWNA, SWNLX2PP111TW02, SWNLX2SP111TW01, SWNLX2SP111TW02 and SWNLX2SP301AW01



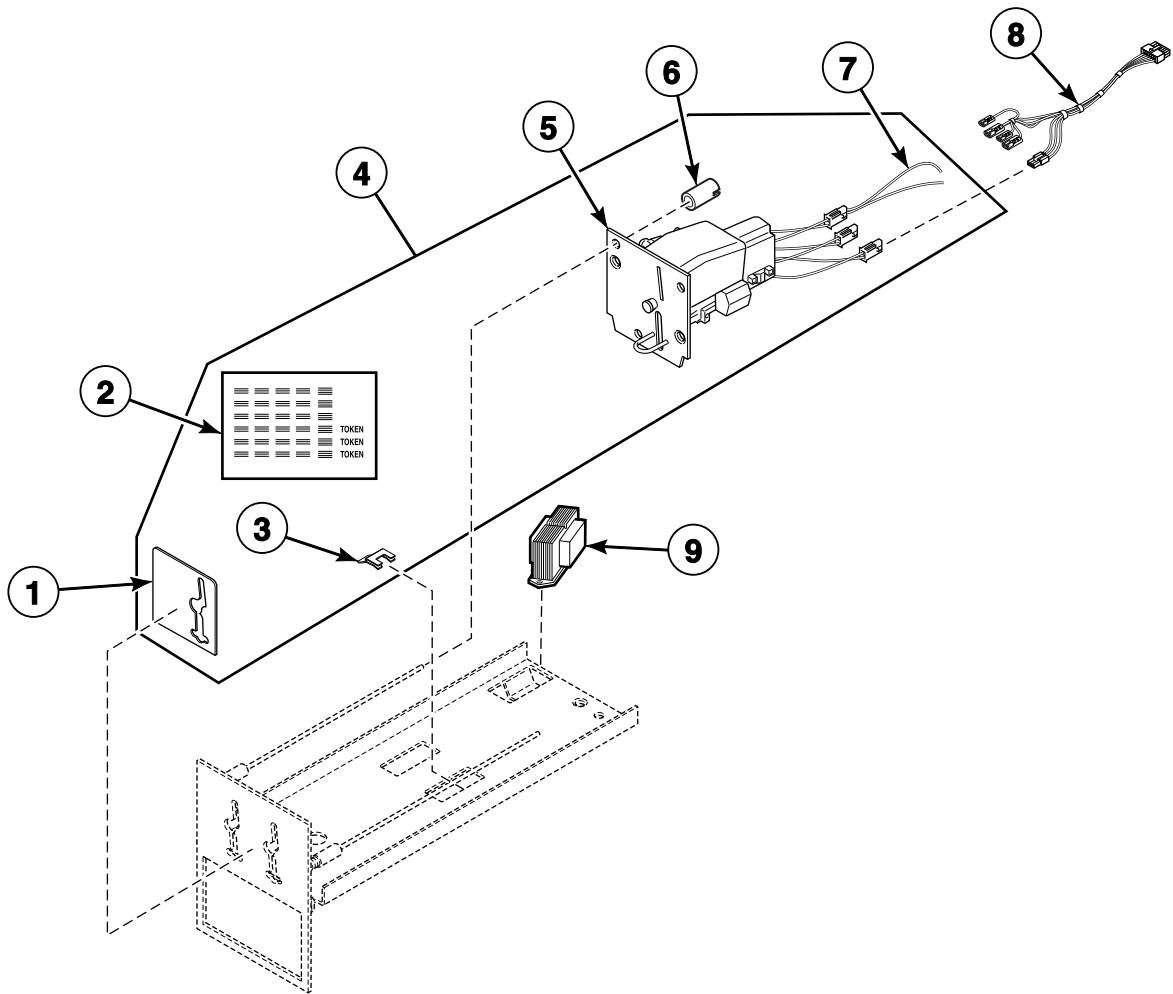
TLW1621P\_202201

## Coin Drop, Meter Case and Service Door

REF	PART NO.	DESCRIPTION	COMMENTS
1	70441601P	Coin Drop	Single; U.S.A. \$.25
	38464P	Coin Drop Assembly	Single; Canada .25
	70441602	Coin Drop Assembly	Dual; Canada .25 and 1.00
	38467	Coin Drop Assembly	Dual; Australia .20 and 1.00
	70447301	Coin Drop Assembly	Dual; Australia 1.00 and 2.00
	70482401	Coin Drop Assembly	Dual; New Zealand 1.00 and 2.00
	38462P	Coin Drop Assembly	Token 118-1
	38463	Coin Drop Assembly	Token 118-5
	38963P	Coin Drop	Token 118-16 5nt
2	29786	Nut	
3	200674P	Opto Coupler	
4	802905	Harness Assembly	Dual coin; Models HWNLX2SP111CW01, HWNLE2SP111CW01, HWNLE2SP111CWNA, SWNLX2PP111TW02, SWNLX2SP111TW01, SWNLX2SP111TW02 and SWNLX2SP301AW01
	802904P	Harness Assembly	All other models
5	503673	Screw	All models except SWNLC2PP111TW02, SWNLC2SP111TW02, SWNLX2PP111TW02 and SWNLX2SP111TW02 through Serial No. 1009027902
6	803043WP	Service Door Assembly	Models SWNLC2SP111TW02, SWNLX2PP111TW02 and SWNLX2SP111TW02 through Serial No. 1009027902
	39874QP	Service Door Assembly	Model SWNLC2SP111TQ01
	39874WP	Service Door Assembly	All other models
7	30642	Meter Case Locking Bracket	All models except SWNLC2PP111TW02, SWNLC2SP111TW02, SWNLX2PP111TW02 and SWNLX2SP111TW02 through Serial No. 1009027902
8	30647	Nut	All models except SWNLC2PP111TW02, SWNLC2SP111TW02, SWNLX2PP111TW02 and SWNLX2SP111TW02 through Serial No. 1009027902
9	803063WP	Meter Case Assembly Kit	Models SWNLC2PP111TW02, SWNLC2SP111TW02, SWNLX2PP111TW02 and SWNLX2SP111TW02
	803578P	Coin Box Extension Kit	Use with 803063W Meter Case Assembly to extend shorter 7 inch coin boxes; Models SWNLC2PP111TW02, SWNLC2SP111TW02, SWNLX2PP111TW02 and SWNLX2SP111TW02 starting Serial No. 1009027903
	802505W	Meter Case Assembly	Models HWNLE2SP111CW01 and HWNLE2SP111CWNA
	38724Q	Meter Case Assembly	Model SWNLC2SP111TQ01
	38724W	Meter Case Assembly	All other models
10	26354	Meter Case Gasket	
11	35525	Meter Case Lockdown Bracket	
12	02505	Bolt	
13	35526	Meter Case Bracket Gasket	
14	802337	Nut	
15	202123	Single Overlay	Models SWNLC2PP111TW02 and SWNLC2SP111TW02 through Serial No. 1009027902
	38717	Single Overlay	Models SWNLC2PP111TW02 and SWNLC2SP111TW02 starting Serial No. 1009027903; Models SWNLC2PP111TW01, SWNLC2PP111TWNA, SWNLC2SP111TQ01, SWNLC2SP111TW01 and SWNLC2SP111TWNA
16	512973	Switch	
17	36048	Screw	
18	201595P	Wire Guard	Anti-stringing security device

# Electronic Coin Drop

Models HWNLX2SP111CW01, HWNLE2SP111CW01, HWNLE2SP111CWNA, SWNLC2PP111TW01, SWNLC2PP111TW02, SWNLC2PP111TWNA, SWNLC2SP111TQ01, SWNLC2SP111TW01, SWNLC2SP111TW02, SWNLC2SP111TWNA, SWNLX2PP111TW02, SWNLX2SP111TW01, SWNLX2SP111TW02 and SWNLX2SP301AW01



TLW1638P\_202201

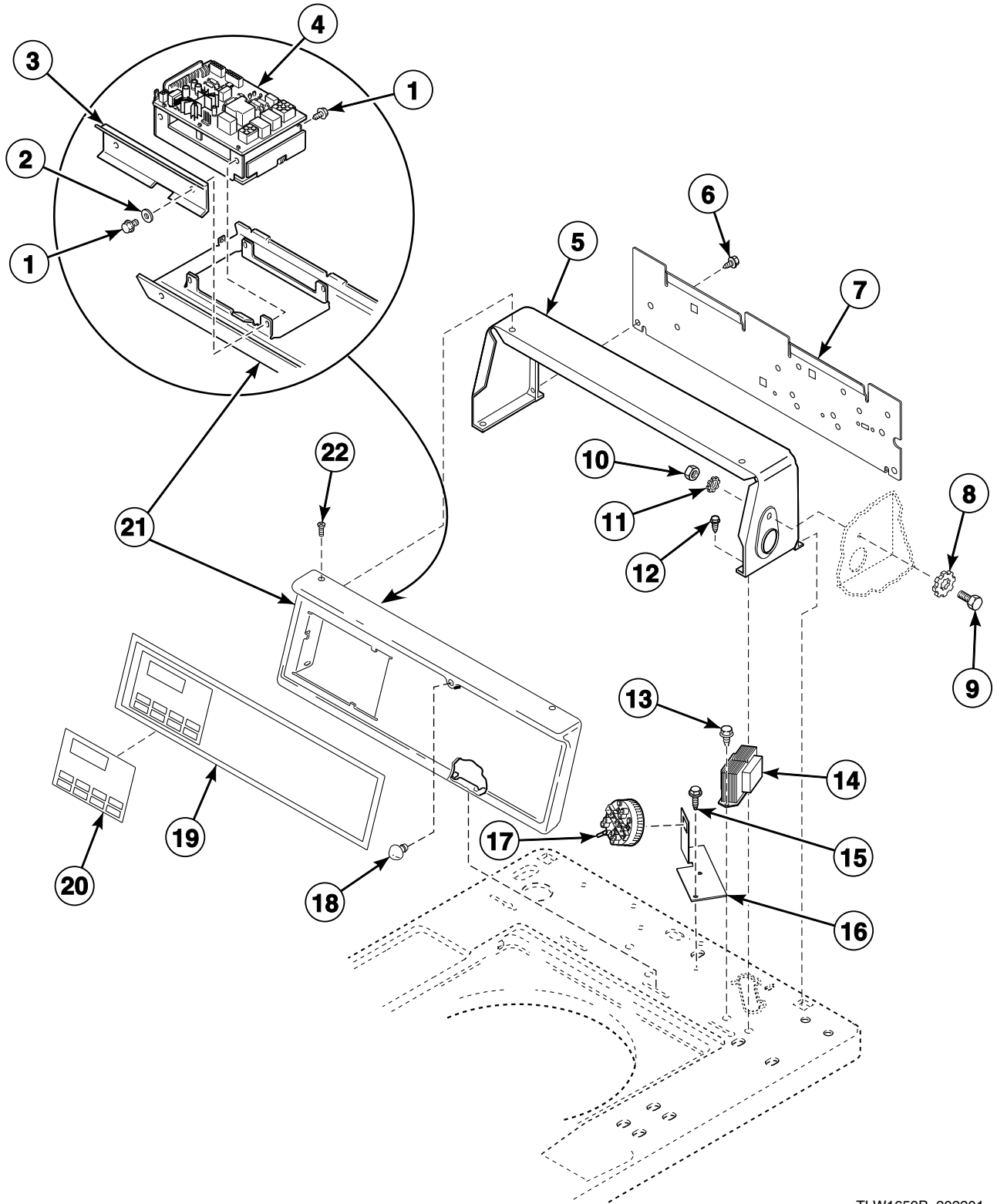


# Electronic Coin Drop

REF	PART NO.	DESCRIPTION	COMMENTS
1	201091	Overlay	
2	38725	Coin Identification Paper	
3	201572	Clip	
4	CK115	Electronic Coin Drop Kit	Includes items 1-3 and 5-7; United States and Canada coins; Models SWNLC2PP111TW01, SWNLC2PP111TW02, SWNLC2PP111TWNA, SWNLC2SP111TQ01, SWNLC2SP111TW01, SWNLC2SP111TW02 and SWNLC2SP111TWNA also order items 8 and 9
	CK099	Electronic Coin Drop Kit	Includes items 1-3 and 5-7; Australia, New Zealand, Hong Kong and South Korea coins
	CK100	Electronic Coin Drop Kit	Includes items 1-3 and 5-7; Euro and Great Britain coins
	CK101	Electronic Coin Drop Kit	Includes items 1-3 and 5-7; Euro, Denmark and Norway coins
	CK103	Electronic Coin Drop Kit	Includes items 1-3 and 5-7; Euro, Lithuania and Latvia coins
	CK108	Electronic Coin Drop Kit	Includes items 1-3 and 5-7; South African 1, 2, 5 rand coins
	CK109	Electronic Coin Drop Kit	Includes items 1-3 and 5-7; Euro coins
	CK110	Electronic Coin Drop Kit	Includes items 1-3 and 5-7; Mexico, Ecuador and United States coins
	CK113	Electronic Coin Drop Kit	Includes items 1-3 and 5-7; Japan and Taiwan coins
	CK116	Electronic Coin Drop Kit	Includes items 1-3 and 5-7; Malaysia and China coins
	CK117	Electronic Coin Drop Kit	Includes items 1-3 and 5-7; Russia coins
	CK118	Electronic Coin Drop Kit	Includes items 1-3 and 5-7; Philippine coins
	CK120	Electronic Coin Drop Kit	Includes items 1-3 and 5-7; Chile coins
	CK121	Electronic Coin Drop Kit	Includes items 1-3 and 5-7; Singapore coins
5	70294105P	Electronic Coin Drop Assembly	Australia, New Zealand, Hong Kong and South Korea coins
	70294103P	Electronic Coin Drop Assembly	Euro and Great Britain coins
	70294104	Electronic Coin Drop Assembly	Euro, Denmark and Norway coins
	70294106	Electronic Coin Drop Assembly	Mexico, Ecuador and United States coins
	70294107	Electronic Coin Drop Assembly	Euro, Lithuania and Latvia coins
	70294110	Electronic Coin Drop Assembly	South African 1, 2, 5 rand coins
	70294111	Electronic Coin Drop Assembly	Euro coins
	70294116	Electronic Coin Drop Assembly	Malaysia and China coins
	70294117	Electronic Coin Drop Assembly	Russia coins
	70294120	Electronic Coin Drop Assembly	Chile coins
	70294121	Electronic Coin Drop Assembly	Singapore coins
6	201216	Nut	
7	201104	Coin Drop Wire Harness	
8	802905	Harness Assembly	Electronic coin drop requires this harness. If unit is not factory-equipped with this harness, it must be ordered separately.
9	201375P	Transformer	Electronic coin drop requires this transformer. If unit is not factory-equipped with this transformer, it must be ordered separately.

# Control Panel, Control Hood and Controls (Drawing 1 of 4)

Models HWNLX2SP111CW01, HWNLE2SP111CW01, HWNLE2SP111CWNA, SWNLC2PP111TW01, SWNLC2PP111TW02, SWNLC2PP111TWNA, SWNLC2SP111TQ01, SWNLC2SP111TW01, SWNLC2SP111TW02, SWNLC2SP111TWNA, SWNLX2PP111TW02, SWNLX2SP111TW01 and SWNLX2SP111TW02



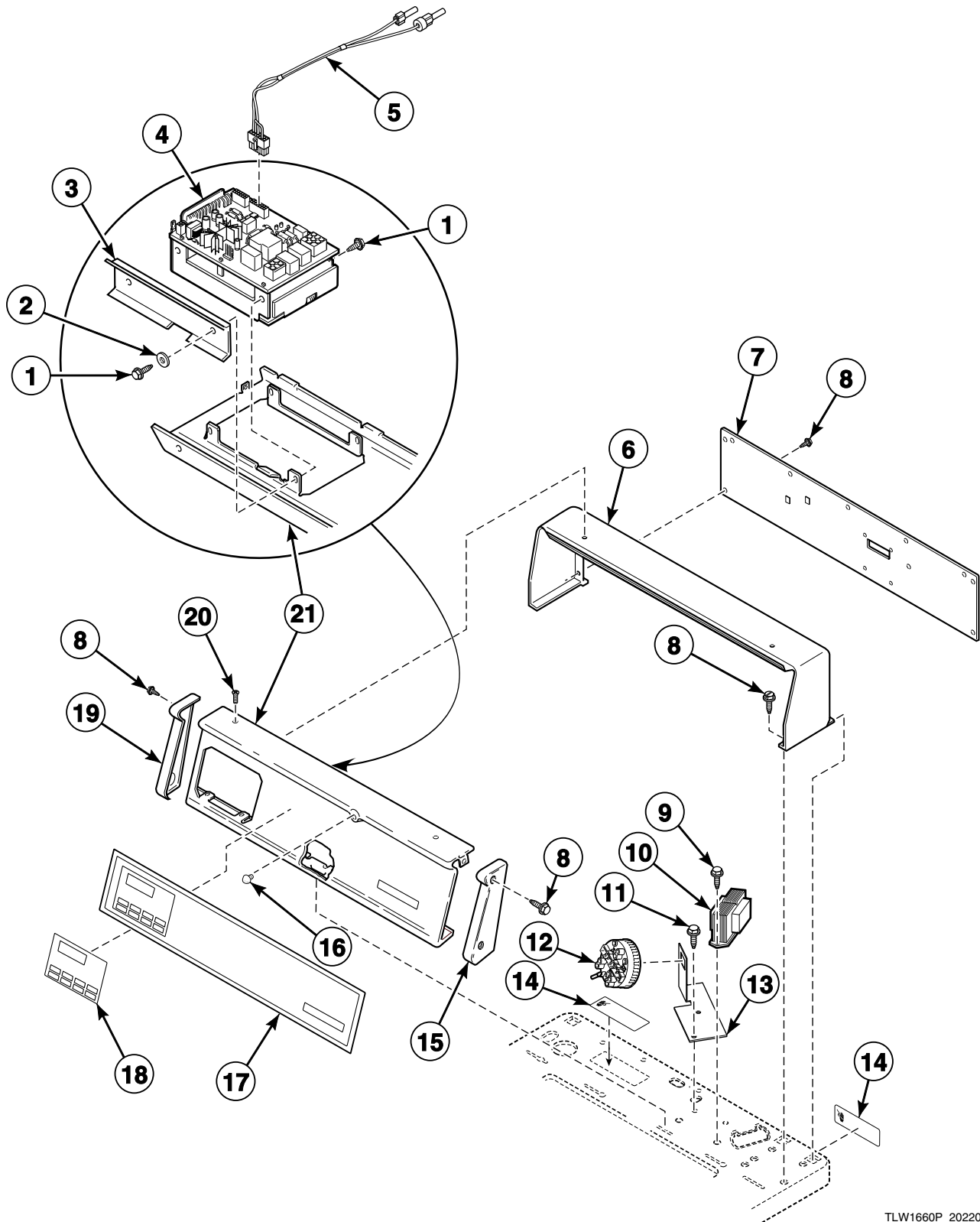
TLW1659P\_202201

# Control Panel, Control Hood and Controls (Drawing 1 of 4)

REF	PART NO.	DESCRIPTION	COMMENTS
	202331	Options Label	Models HWNLX2SP111CW01, HWNLE2SP111CW01 and HWNLE2SP111CWNA
	202332	Options Label	All other models
	NK201	Network Retrofit Kit	Wired
	NK301	Wireless Network Kit	
	NK220	Network Controller Kit	Wired
	NK320	Ethernet Gateway Kit	Wireless
	NK330	USB Gateway Kit	Wireless
<b>1</b>	501524	Screw	
<b>2</b>	200608	Washer	
<b>3</b>	210053	Control Shield	
<b>4</b>	201967P	Control Assembly	
<b>5</b>	37075Q	Control Hood	Model SWNLC2SP111TQ01
	37075W	Control Hood	All other models
<b>6</b>	23222	Screw	
<b>7</b>	38267	Hood Back Panel	
<b>8</b>	M400017	Washer	
<b>9</b>	02916	Screw	
<b>10</b>	52566	Nut	
<b>11</b>	02431	Washer	
<b>12</b>	501086	Screw	
<b>13</b>	503661	Screw	
<b>14</b>	201375P	Transformer	Some models may have jumper wire attached to transformer. Discard jumper wire when replacing transformer; Models HWNLX2SP111CW01, HWNLE2SP111CW01, HWNLE2SP111CWNA, SWNLX2PP111TW02, SWNLX2SP111TW01 and SWNLX2SP111TW02
	210018P	Transformer	All other models
<b>15</b>	23962	Screw	
<b>16</b>	201789	Pressure Switch Bracket	
<b>17</b>	201997P	Pressure Switch	Models through Serial No. 1110007358
	803638	Pressure Switch	Models starting Serial No. 1110007359
	803637	Pressure Switch	Use for higher water level
<b>18</b>	202469	Control Panel Bumper	
	M400795	Bumper	Extra thick
<b>19</b>	202417	Control Overlay	Models HWNLX2SP111CW01, HWNLE2SP111CW01 and HWNLE2SP111CWNA
	202024	Control Panel Overlay	Old style; All other models
	202416	Control Panel Overlay	New style; All other models
<b>20</b>	202309	Control Sticker Overlay	French/English; Models HWNLX2SP111CW01, HWNLE2SP111CW01 and HWNLE2SP111CWNA
<b>21</b>	210042Q	Control Panel Assembly	Model SWNLC2SP111TQ01
	210042W	Control Panel Assembly	All other models
<b>22</b>	52864	Screw	Phillips head
	35528	Screw	Torx head

# Control Panel, Control Hood and Controls (Drawing 2 of 4)

Models HWNLY2SP111CW01, SWNLY2PP111TW01, SWNLY2PP111TWNA,  
SWNLY2SP111TW01 and SWNLY2SP111TWNA



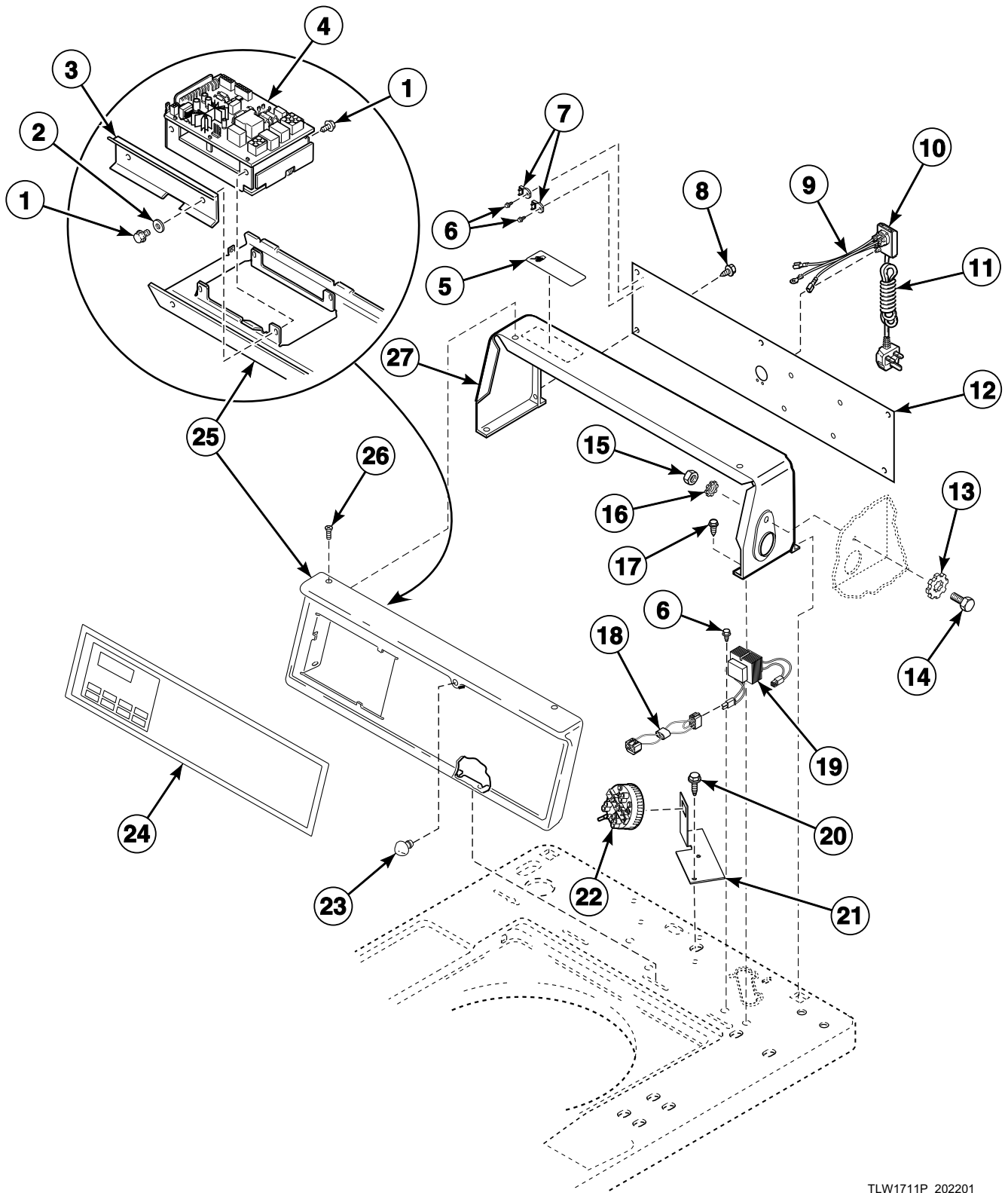
TLW1660P\_202201

## Control Panel, Control Hood and Controls (Drawing 2 of 4)

REF	PART NO.	DESCRIPTION	COMMENTS
	202331	Options Label	Model HWNLY2SP111CW01
	202332	Options Label	All other models
	NK201	Network Retrofit Kit	Wired
	NK301	Wireless Network Kit	
	NK220	Network Controller Kit	Wired
	NK320	Ethernet Gateway Kit	Wireless
	NK330	USB Gateway Kit	Wireless
<b>1</b>	501524	Screw	
<b>2</b>	200608	Washer	
<b>3</b>	210053	Control Shield	
<b>4</b>	201967P	Control Assembly	
<b>5</b>	800680	Diagnostic Wire Harness Assembly	
<b>6</b>	210142W	Control Hood	
<b>7</b>	210143	Rear Panel	
<b>8</b>	501086	Screw	
<b>9</b>	503661	Screw	
<b>10</b>	201375P	Transformer	Some models may have jumper wire attached to transformer. Discard jumper wire when replacing transformer.
<b>11</b>	23962	Screw	
<b>12</b>	201997P	Pressure Switch	Models through Serial No. 1110007358
	803638	Pressure Switch	Models starting Serial No. 1110007359
	803637	Pressure Switch	Use for higher water level
<b>13</b>	201789	Pressure Switch Bracket	
<b>14</b>	500316	Warning Label	Model HWNLY2SP111CW01
	505281	Disconnect Power Warning Label	All other models
<b>15</b>	210108W	End Cap	Right
<b>16</b>	202469	Control Panel Bumper	
	M400795	Bumper	Extra thick
<b>17</b>	202080	Control Overlay	Old style; Model HWNLY2SP111CW01
	202418	Control Overlay	New style; Model HWNLY2SP111CW01
	202023	Control Overlay	Old style; All other models
	202415	Control Overlay	New style; All other models
<b>18</b>	202309	Control Sticker Overlay	French/English; Model HWNLY2SP111CW01
<b>19</b>	210109W	End Cap	Left
<b>20</b>	52864	Screw	
<b>21</b>	210137W	Control Panel Assembly	

# Control Panel, Control Hood and Controls (Drawing 3 of 4)

Model SWNLX2SP301AW01



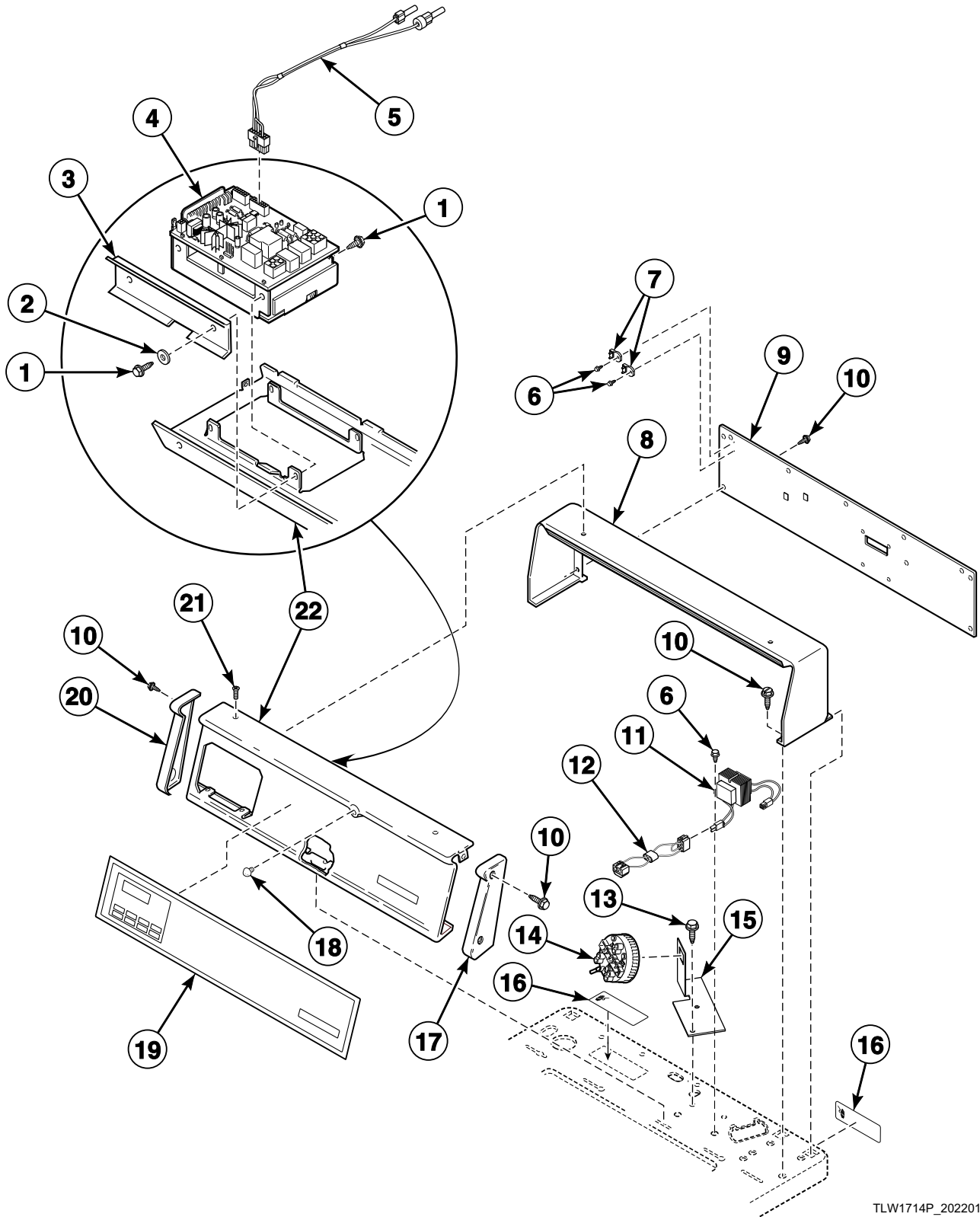
TLW1711P\_202201

## Control Panel, Control Hood and Controls (Drawing 3 of 4)

REF	PART NO.	DESCRIPTION	COMMENTS
	202332	Options Label	
	NK201	Network Retrofit Kit	Wired
	NK301	Wireless Network Kit	
	NK220	Network Controller Kit	Wired
	NK320	Ethernet Gateway Kit	Wireless
	NK330	USB Gateway Kit	Wireless
<b>1</b>	501524	Screw	
<b>2</b>	200608	Washer	
<b>3</b>	210053	Control Shield	
<b>4</b>	201967P	Control Assembly	
<b>5</b>	511021	Shock Warning Label	
<b>6</b>	503661	Screw	
<b>7</b>	210100	Resistor	
<b>8</b>	23222	Screw	
<b>9</b>	201405P	Lead-In Wire Harness Assembly	
<b>10</b>	39922	Cable Connection Box	
<b>11</b>	39931	Power Cord Assembly	
<b>12</b>	39920	Hood Back Panel	
<b>13</b>	M400017	Washer	
<b>14</b>	02916	Screw	
<b>15</b>	52566	Nut	
<b>16</b>	02431	Washer	
<b>17</b>	501086	Screw	
<b>18</b>	M413507	Jumper Configuration Assembly	
<b>19</b>	803527P	Transformer	
<b>20</b>	23962	Screw	
<b>21</b>	201789	Pressure Switch Bracket	
<b>22</b>	803638	Pressure Switch	
	803637	Pressure Switch	Use for higher water level
<b>23</b>	202469	Control Panel Bumper	
	M400795	Bumper	Extra thick
<b>24</b>	202416	Control Panel Overlay	
<b>25</b>	210042W	Control Panel Assembly	
<b>26</b>	52864	Screw	Phillips head
	35528	Screw	Torx head
<b>27</b>	37075W	Control Hood	

# Control Panel, Control Hood and Controls (Drawing 4 of 4)

Model SWNLY2SP301NW22



TLW1714P\_202201

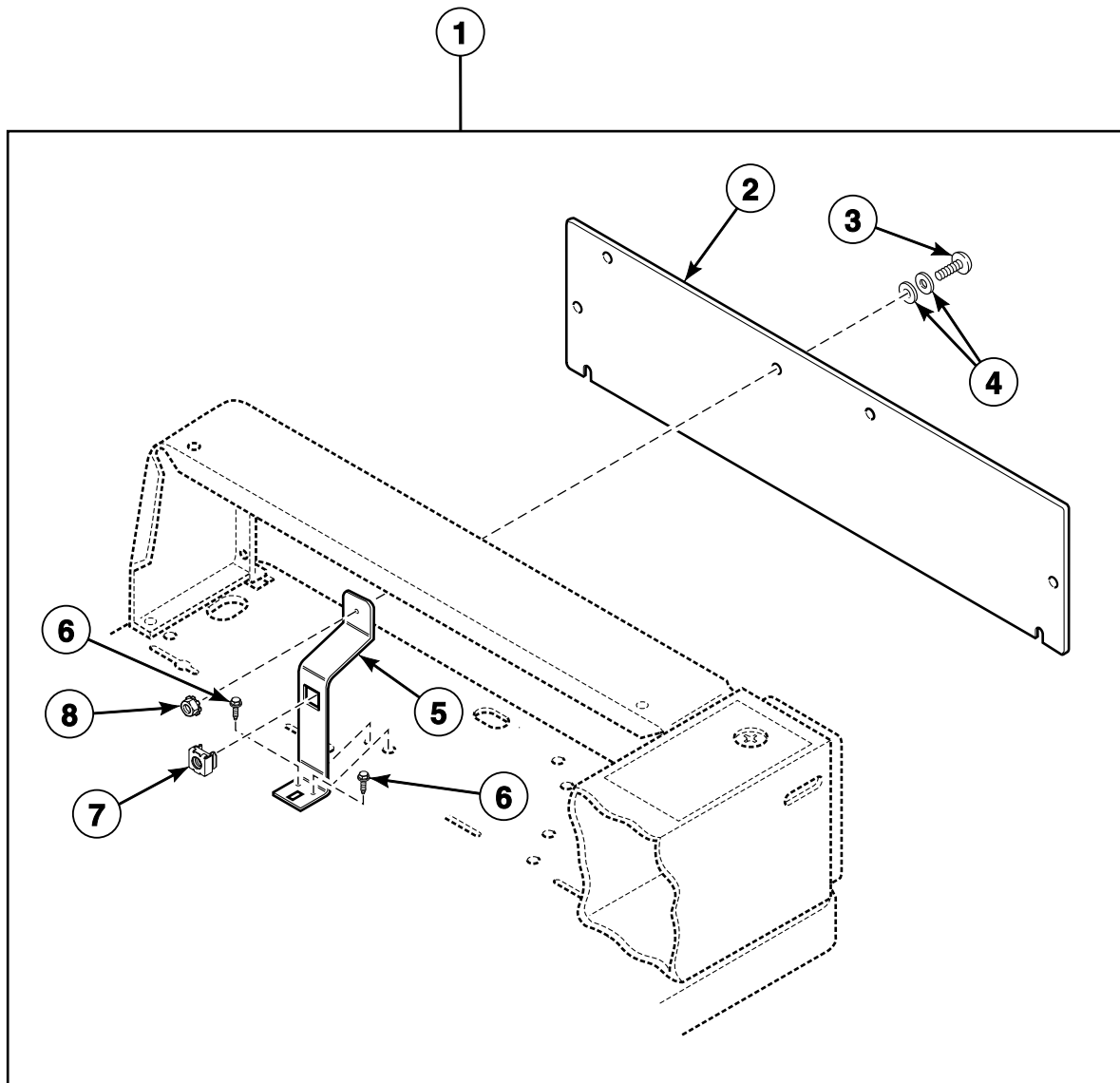


## Control Panel, Control Hood and Controls (Drawing 4 of 4)

REF	PART NO.	DESCRIPTION	COMMENTS
	202332	Options Label	
	NK201	Network Retrofit Kit	Wired
	NK301	Wireless Network Kit	
	NK220	Network Controller Kit	Wired
	NK320	Ethernet Gateway Kit	Wireless
	NK330	USB Gateway Kit	Wireless
<b>1</b>	501524	Screw	
<b>2</b>	200608	Washer	
<b>3</b>	210053	Control Shield	
<b>4</b>	201967P	Control Assembly	
<b>5</b>	800680	Diagnostic Wire Harness Assembly	
<b>6</b>	503661	Screw	
<b>7</b>	210100	Resistor	
<b>8</b>	210142W	Control Hood	
<b>9</b>	210143	Rear Panel	
<b>10</b>	501086	Screw	
<b>11</b>	803527P	Transformer	
<b>12</b>	M413507	Jumper Configuration Assembly	
<b>13</b>	23962	Screw	
<b>14</b>	803638	Pressure Switch	
	803637	Pressure Switch	Use for higher water level
<b>15</b>	201789	Pressure Switch Bracket	
<b>16</b>	505281	Disconnect Power Warning Label	
<b>17</b>	210108W	End Cap	Right
<b>18</b>	202469	Control Panel Bumper	
	M400795	Bumper	Extra thick
<b>19</b>	202415	Control Overlay	
<b>20</b>	210109W	End Cap	Left
<b>21</b>	52864	Screw	
<b>22</b>	210137W	Control Panel Assembly	

# Control Hood Security Kit

Models HWNLX2SP111CW01, HWNLE2SP111CW01, HWNLE2SP111CWNA, SWNLC2PP111TW01, SWNLC2PP111TW02, SWNLC2PP111TWNA, SWNLC2SP111TQ01, SWNLC2SP111TW01, SWNLC2SP111TW02, SWNLC2SP111TWNA, SWNLX2PP111TW02, SWNLX2SP111TW01, SWNLX2SP111TW02 and SWNLX2SP301AW01

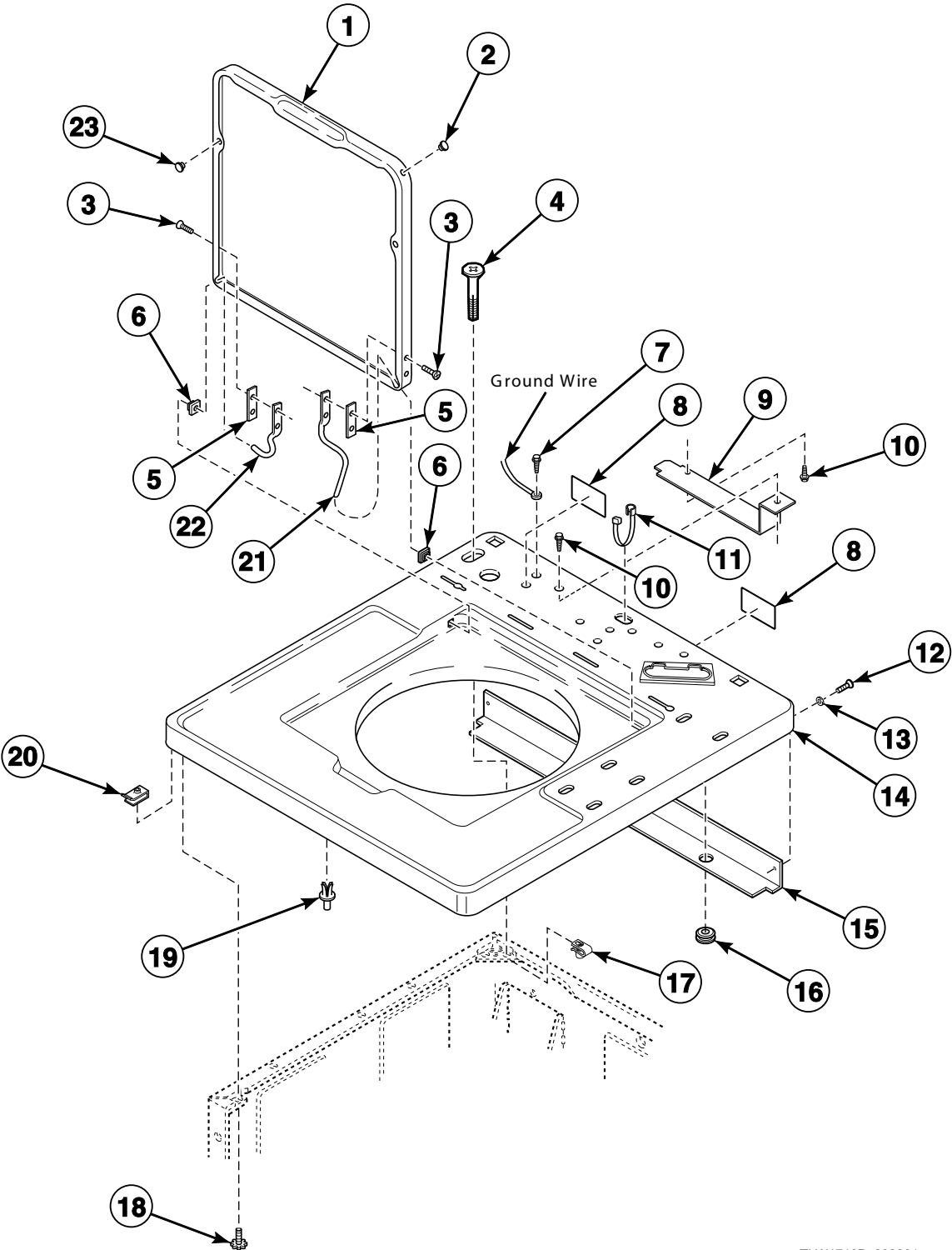


FLW963P\_202201

# Control Hood Security Kit

REF	PART NO.	DESCRIPTION	COMMENTS
1	904P3	Security Kit	Includes items 2-8
2	201919	Rear Panel	
3	32184	Bolt	
4	25100	Washer	
5	201918	Bracket	
6	503688	Screw	
7	30647	Nut	
8	23951	Nut	

# Lid and Cabinet Top

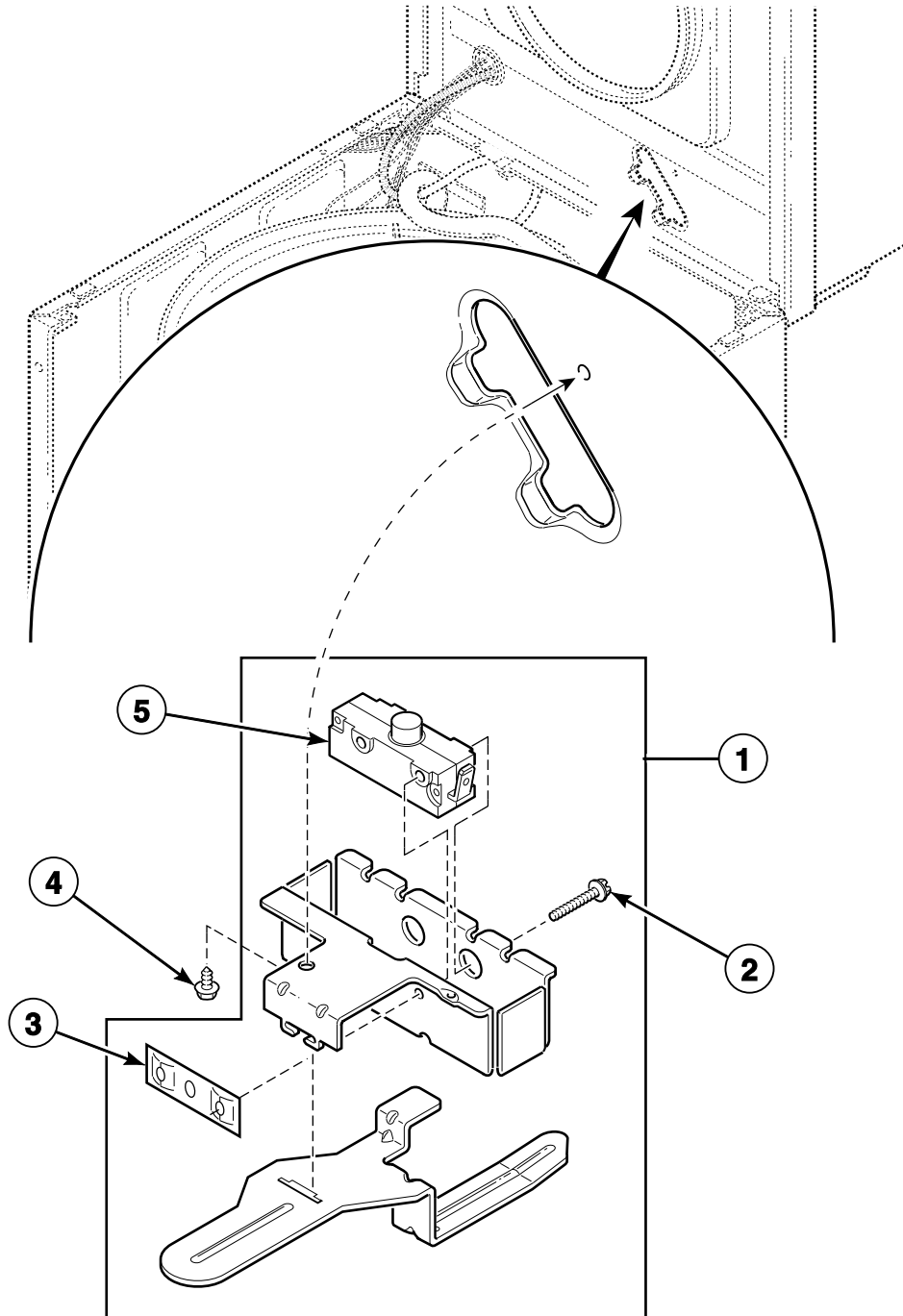


TLW1712P\_202201

## Lid and Cabinet Top

REF	PART NO.	DESCRIPTION	COMMENTS
1	201461WP	Lid	Models HWNLX2SP111CW01, HWNLE2SP111CW01, HWNLE2SP111CWNA and HWNLY2SP111CW01
	201460QP	Lid and Carton Assembly	Model SWNLC2SP111TQ01
	201460WP	Lid	All other models
2	34153	Lid Plug	
3	34337	Screw	
4	503673	Screw	Optional; For added security
5	34338	Hinge Gasket	
6	33446	Bushing	
7	52909	Screw	
8	500316	Warning Label	Models HWNLX2SP111CW01, HWNLE2SP111CW01, HWNLE2SP111CWNA and HWNLY2SP111CW01
	505281	Disconnect Power Warning Label	All other models
9	202083	Bracket	
10	23962	Screw	
11	38384	Strain Relief	
12	431287	Screw	Model SWNLX2SP301AW01
13	39249	Washer	Model SWNLX2SP301AW01
14	210173WP	Top Assembly	Models HWNLY2SP111CW01, SWNLY2PP111TW01, SWNLY2PP111TWNA, SWNLY2SP111TW01, SWNLY2SP111TWNA and SWNLY2SP301NW22
	39167QP	Top	Model SWNLC2SP111TQ01
	39167WP	Top	All other models
15	39744	Top Shield	Model SWNLX2SP301AW01
16	80262	Grommet	Model SWNLX2SP301AW01
17	27222	Nut	Optional; For added security
18	23008	Screw	
19	56534	Support Barrel	
20	36020	Nut	
21	36437	Lid Hinge	Right
22	36438	Lid Hinge	Left
23	21685	Bumper	

# Lid Switch

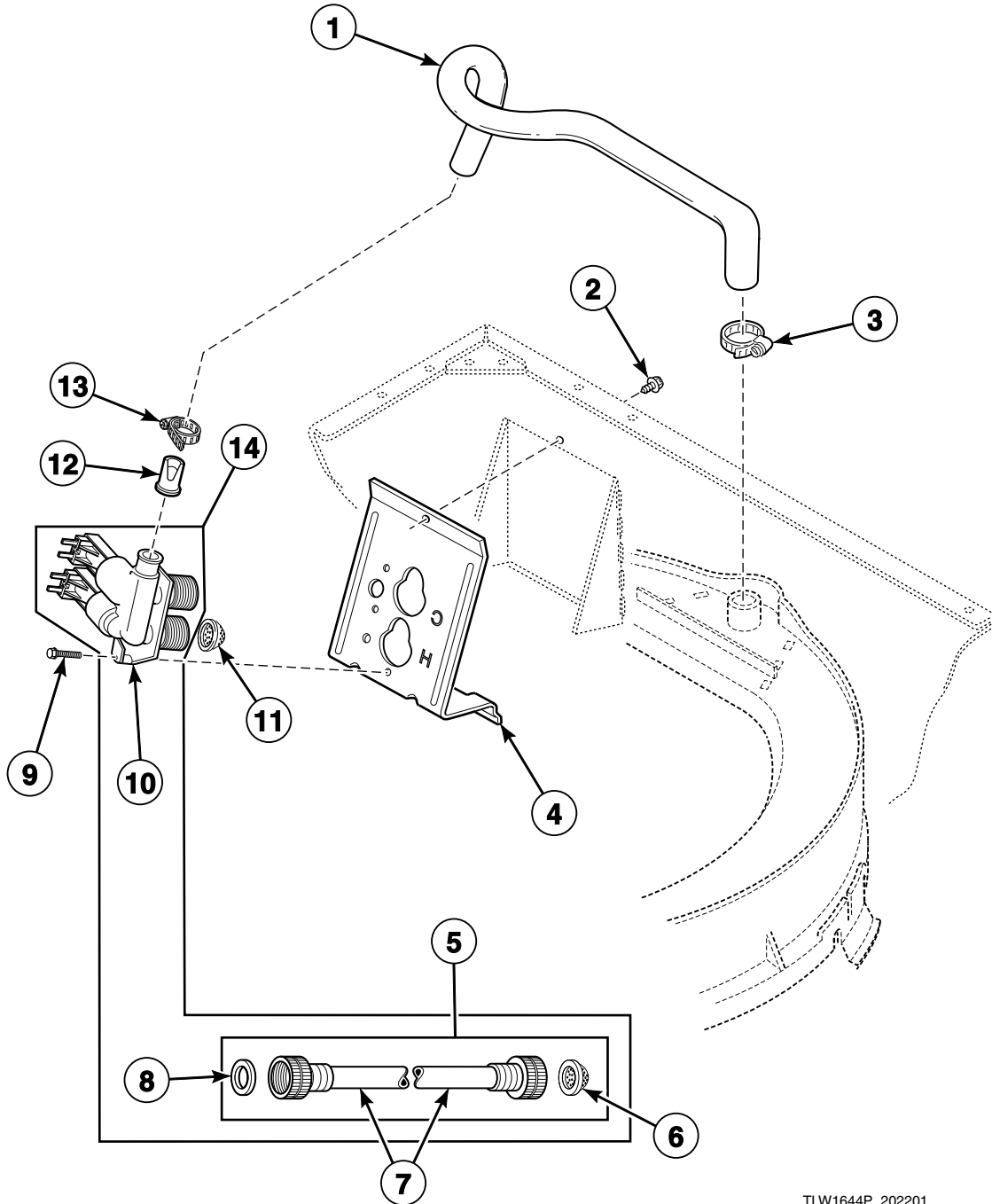


TLW1832B\_202201

# Lid Switch

REF	PART NO.	DESCRIPTION	COMMENTS
1	37631	Lid Switch Assembly	
2	M402574	Screw	
3	M400981	Nut	
4	23962	Screw	
5	33445	Switch	

# Fill Hose, Mixing Valve-to-Tub Cover Hose, Mixing Valve and Bracket



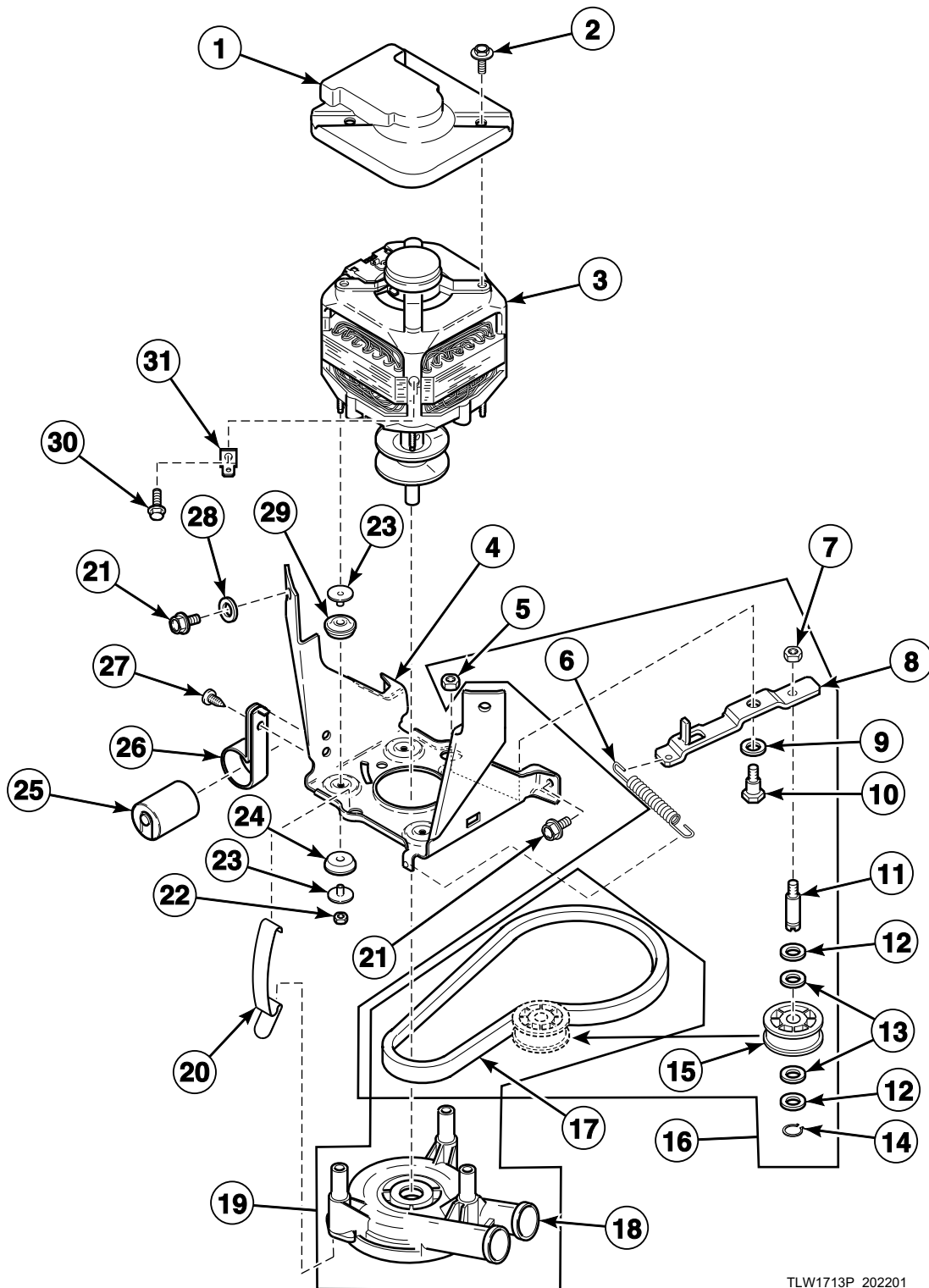
TLW1644P\_202201



## Fill Hose, Mixing Valve-to-Tub Cover Hose, Mixing Valve and Bracket

REF	PART NO.	DESCRIPTION	COMMENTS
1	38155	Mixing Valve-to-Tub Cover Hose	
2	33562	Screw	
3	800803	Hose Clamp	
4	39407	Mixing Valve Mounting Bracket	
5	F200116	Water Hose	5 feet; Hose is equipped with 2 standard hose couplings; Includes items 6 and 8
	38349P	Fill Hose Kit	5 feet; Hose is equipped with 1 metric and 1 standard hose coupling; Includes item 8
6	803615	Washer	Filter screen
	802254	Washer	Flow restrictor; Water pressure reducer; Available for water pressure up to but not exceeding 120 psi
7	20617	Fill Hose	8 feet; Hose is equipped with 2 standard hose couplings
	37380	Fill Hose	8 feet; Hose is equipped with 1 metric and 1 standard hose coupling
	20618	Fill Hose	10 feet; Hose is equipped with 2 standard hose couplings
	37381	Fill Hose	10 feet; Hose is equipped with 1 metric and 1 standard hose coupling
8	20290	Washer	
9	39397	Screw	
10	201468P	Mixing Valve	Models HWNLE2SP111CW01 and HWNLE2SP111CWNA
	39070P	Mixing Valve	Models SWNLX2SP301AW01 and SWNLY2SP301NW22
	201402P	Mixing Valve	All other models
11	24122	Mixing Valve Screen	
12	34500	Backflow Preventer	
13	36801	Hose Clamp	
14	RB150001	Mixing Valve Kit	Includes 201402P Mixing Valve and 2 of item 5

# Motor, Mounting Bracket, Belt, Pump and Idler Assembly

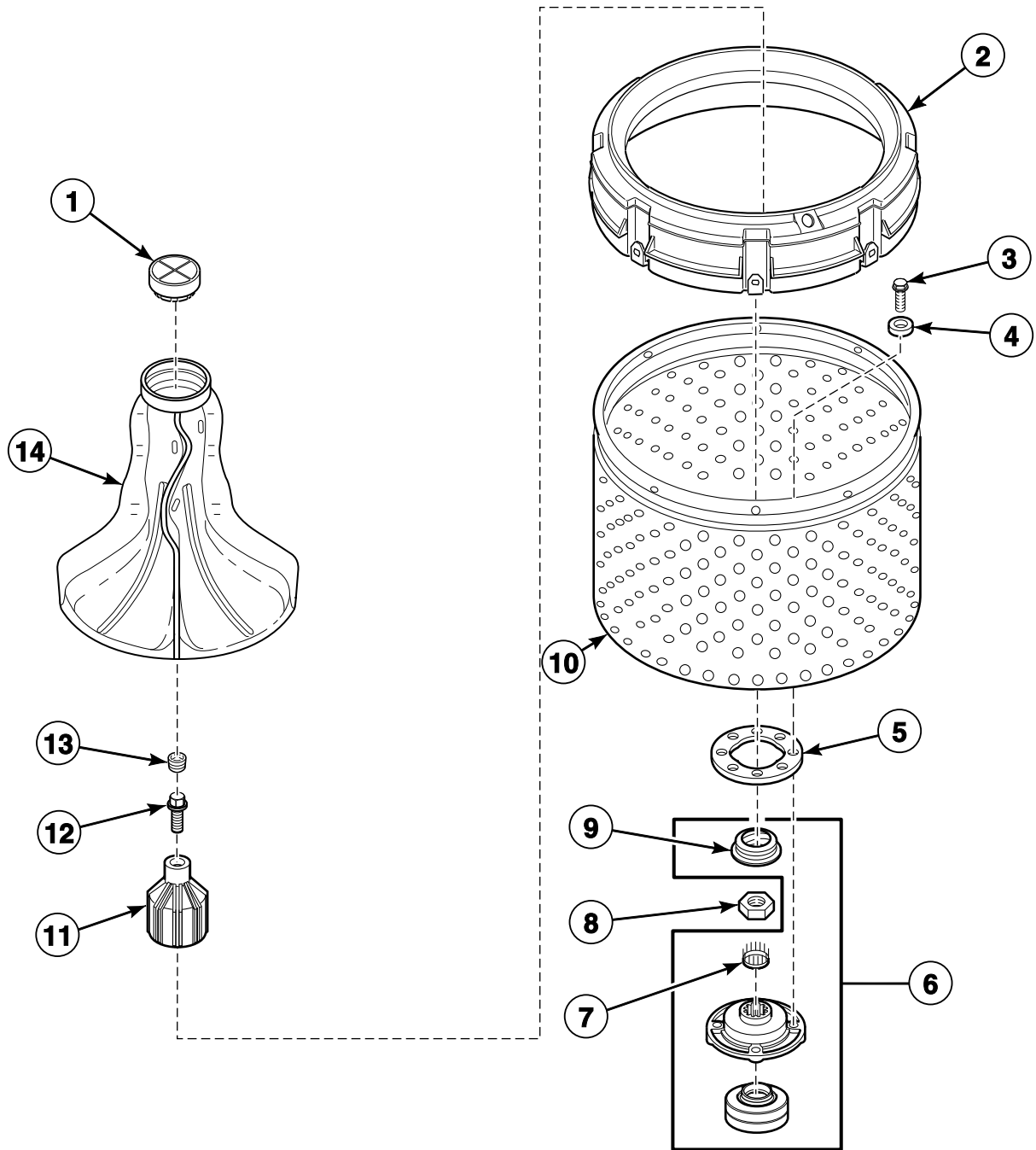


TLW1713P\_202201

# Motor, Mounting Bracket, Belt, Pump and Idler Assembly

REF	PART NO.	DESCRIPTION	COMMENTS
1	34754	Motor Shield	
2	36639	Screw	
3	201433P	Motor Kit	Models SWNLX2SP301AW01 and SWNLY2SP301NW22
	38034P	Motor Kit	All other models
4	200941	Motor Mount Bracket	
5	52566	Nut	
6	201189	Idler Lever Spring	
	202032	Idler Lever Spring	Use on units experiencing low RPM
7	28803	Nut	
8	38011	Idler Lever	
9	81392	Washer	
10	27229	Screw	
11	210186	Idler Shaft	
12	504082	Washer	
13	52549	Washer	Nylatron
14	23748	Retaining Ring	
15	38225P	Idler Pulley	
16	959P3	Idler Lever Kit	Includes items 5-15 and 17
17	200923	Agitate and Spin Belt	Models SWNLX2SP301AW01 and SWNLY2SP301NW22
	38174	Agitate and Spin Belt	All other models
18	201566P	Pump	
	201442P	Pump Assembly	Heavy duty
19	RB150003	Belt and Pump Kit	Includes items 17 and 201566P Pump
20	210202	Spring Clip	
21	35369	Screw	
22	35423	Nut	
23	38325	Isolator Post	
24	38396	Motor Mount	
25	37377	Capacitor	All models except SWNLX2SP301AW01 and SWNLY2SP301NW22
26	37535	Capacitor Clamp	All models except SWNLX2SP301AW01 and SWNLY2SP301NW22
27	52909	Screw	All models except SWNLX2SP301AW01 and SWNLY2SP301NW22
28	37772	Washer	
29	38395	Motor Mount	
30	20530	Screw	Models SWNLX2SP301AW01 and SWNLY2SP301NW22
31	00177	Male Tab Terminal	Models SWNLX2SP301AW01 and SWNLY2SP301NW22

# Agitator, Drive Bell, Hub and Lip Seal Kit and Washtub

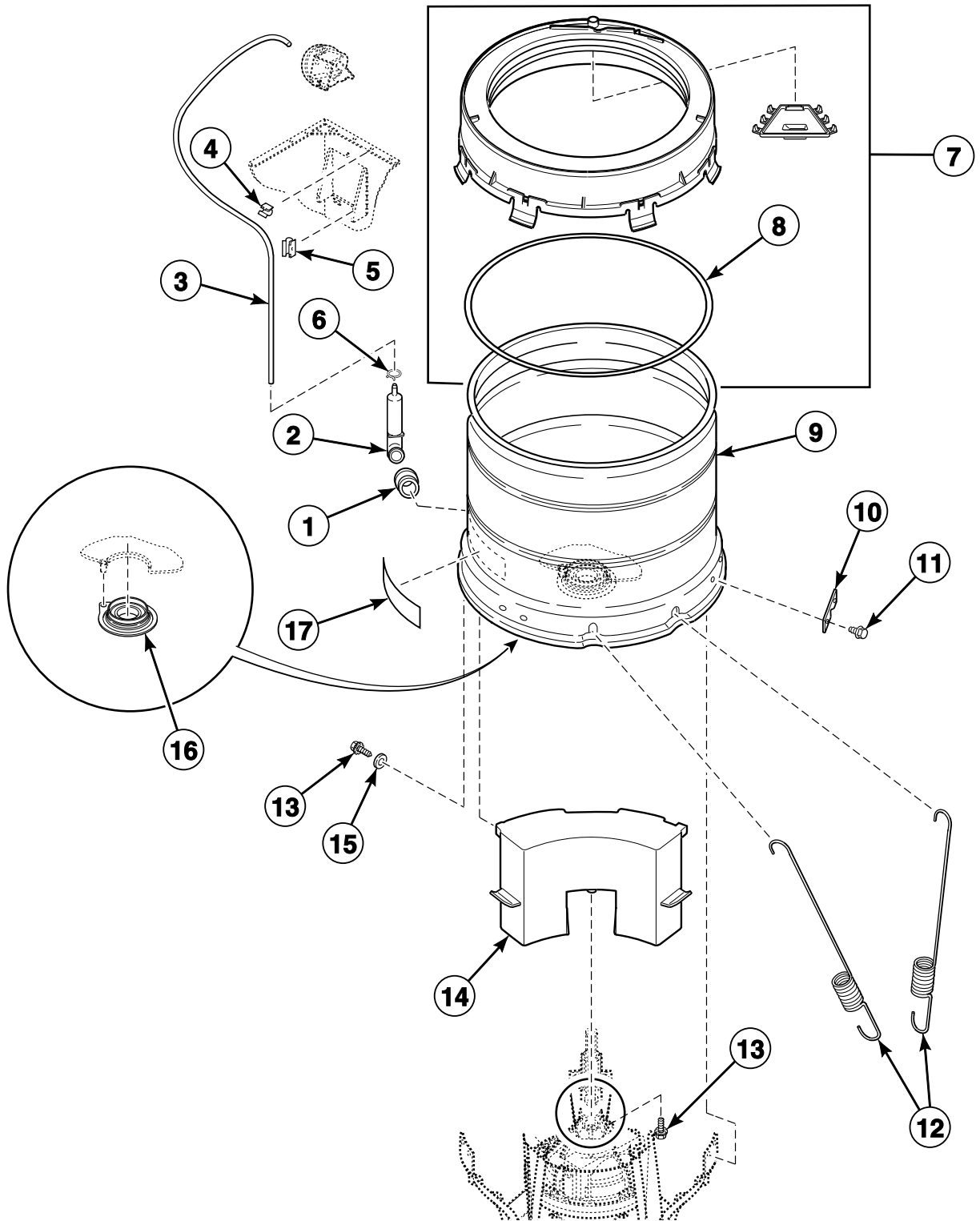


TLW1483P\_202201

## Agitator, Drive Bell, Hub and Lip Seal Kit and Washtub

REF	PART NO.	DESCRIPTION	COMMENTS
1	36515	Agitator Cap	
2	39836	Balance Ring Assembly	
3	27202	Screw	
4	28094	Washer	Rubber; Use with porcelain washtub
5	39122	Washtub Gasket	
6	766P3A	Hub and Lip Seal Kit	DO NOT use any sealant other than 200996P Sealant; Includes item 11 and installation tool
	200996P	Sealant	Use with hub and lip seal kit
7	29728	Spline Insert	
8	29220	Nut	
9	36425	Bell and Transmission Tube Seal	
	36765P	Grease	Use with bell and transmission tube seal
10	39250P	Tub Kit	Blue porcelain; Models SWNLC2PP111TW01, SWNLC2PP111TW02, SWNLC2PP111TWNA, SWNLX2PP111TW02, SWNLY2PP111TW01 and SWNLY2PP111TWNA
	719P3	Washtub Kit	Stainless steel; All other models
11	39508P	Drive Bell and Seal Kit	Includes items 9, 12 and 13
12	39432	Screw	
13	36511	Bell Plug	
14	33174	Agitator	

# Outer Tub, Cover, Bearing and Seal Housing, Pressure Hose and Counterweight

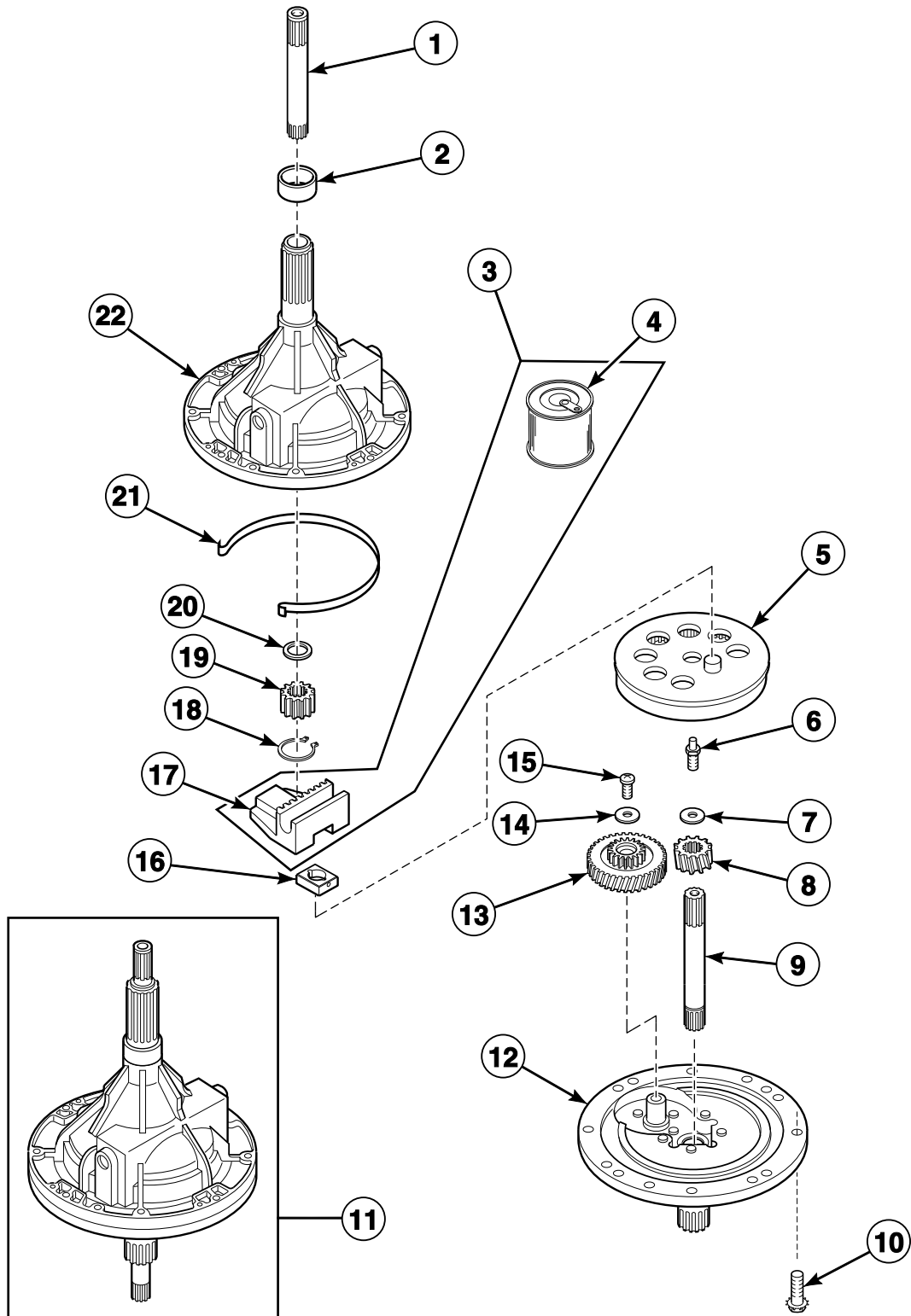


TLW1464P\_202201

## Outer Tub, Cover, Bearing and Seal Housing, Pressure Hose and Counterweight

REF	PART NO.	DESCRIPTION	COMMENTS
1	29175	Grommet	
2	30907	Pressure Bulb	
3	202700	Tubing	31 inch
4	21036	Cable Clip	
5	36985	Hose Clip	
6	39282	Hose Clamp	
7	38573	Tub Cover and Gasket Assembly	Includes item 8
8	38359	Tub Cover Gasket	
9	200511P	Outer Tub Assembly	
	636P3	Outer Tub Flange Kit	Use to replace outer tub flange due to flange damage or corrosion
10	27926	Leg Plate	
11	35369	Screw	
12	201521	Leg Spring	Marked with green paint. Use to replace the two rear springs closest to counterweight; Models SWNLX2SP301AW01 and SWNLY2SP301NW22
	37575	Leg Spring	
13	39566	Screw	
14	38769	Counterweight Assembly	
15	39249	Washer	
16	766P3A	Hub and Lip Seal Kit	
	200996P	Sealant	Use with hub and lip seal kit
17	500049	Warning Label	

# Transmission Assembly



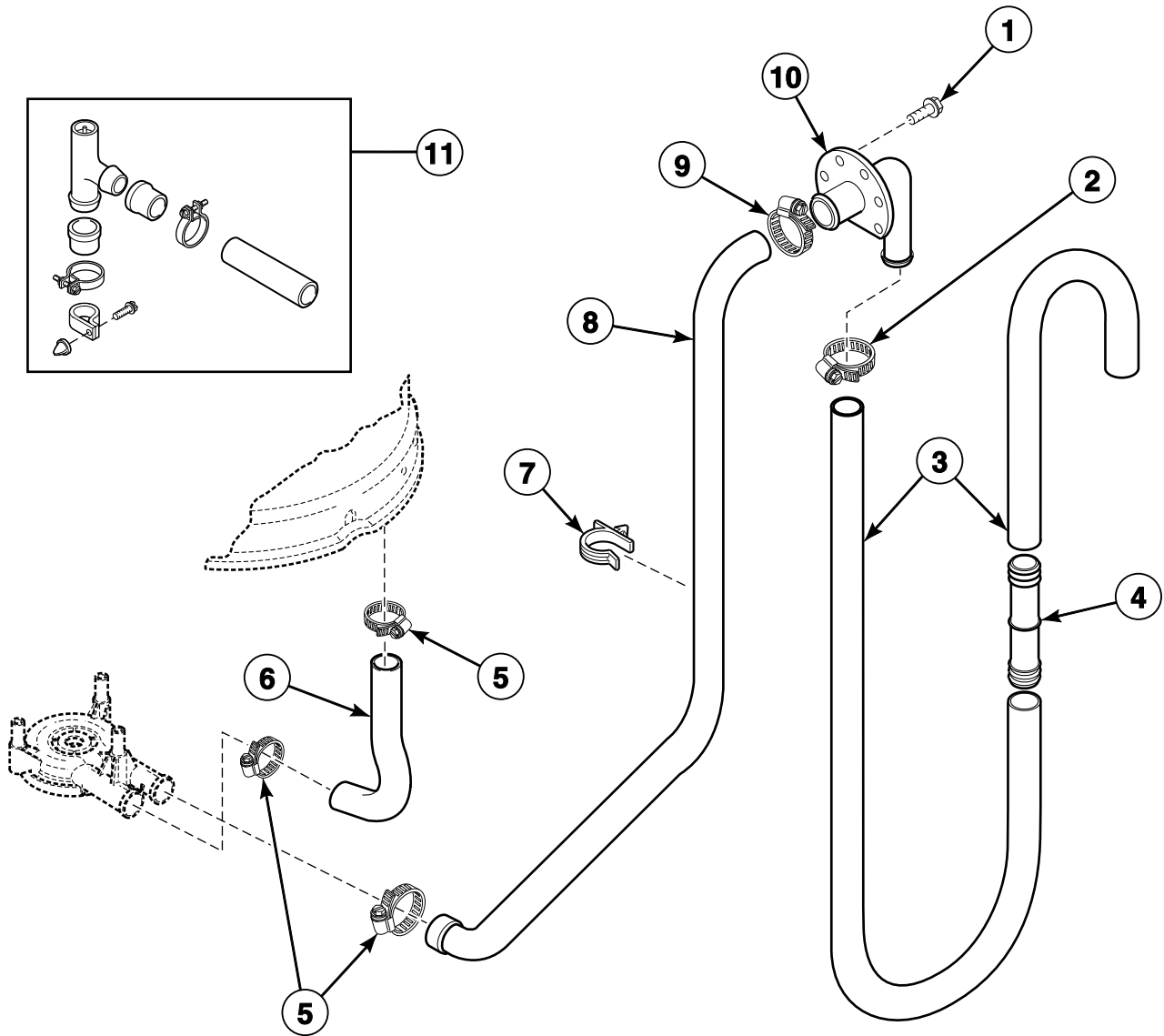
TLW1720P\_202201



# Transmission Assembly

REF	PART NO.	DESCRIPTION	COMMENTS
	27604P	Anti-Seize Compound	Apply to the smooth area of both the upper and lower transmission shafts
	37577P	Transmission Sealant	Use between transmission case and cover
1	36570P	Output Shaft	
2	201212	Hub Spacer	
3	RB150004	Transmission Rebuild Kit	Includes items 4, 17 and 37577P Transmission Sealant
4	27243P	Transmission Oil	1 fill
5	26577	Gear and Stud Assembly	
6	201773	Screw	
7	26509	Washer	
8	37405	Drive Pinion	
9	38268P	Input Shaft	
10	32814	Screw	
11	38165P	Transmission Assembly	
12	37471	Transmission Cover Assembly	
13	37404P	Reduction Gear	
14	29260	Washer	
15	29273	Screw	
16	26493	Slide	
17	201664	Rack	
18	27197	Retaining Ring	
19	27003	Agitator Pinion	
20	35092	Washer	
21	38864	Gear Sleeve	
22	33223P	Transmission Case Assembly	

# Drain Hoses and Siphon Break Kit

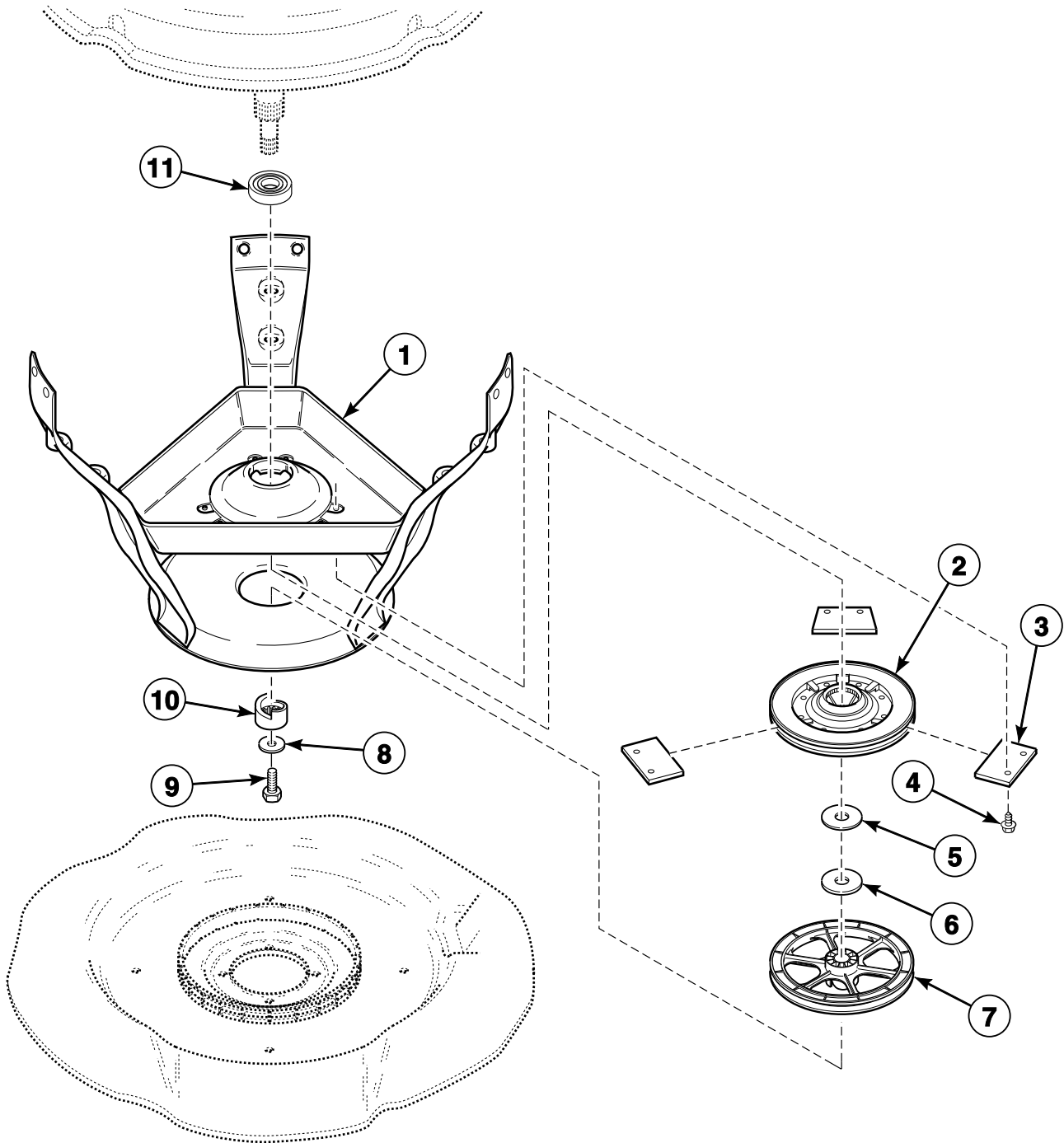


W354P\_202201

## Drain Hoses and Siphon Break Kit

REF	PART NO.	DESCRIPTION	COMMENTS
1	52909	Screw	
2	20211	Hose Clamp	
3	28293	Drain Hose	
4	25863	Hose Coupler	If drain hose must be shortened, cut hose between molded end and molded elbow; Use (1) 25863 Hose Coupler to splice hose
5	F200204	Hose Clamp	
6	38351	Tub-to-Pump Hose	
7	39177	Hose Retainer Clip	
8	38273	Pump-to-Drain Elbow Hose	
9	20391	Hose Clamp	
10	35766	Drain Hose Elbow	Models SWNLX2SP301AW01 and SWNLY2SP301NW22
	36990	Drain Hose Elbow	All other models
11	562P3	Siphon Break Kit	Siphon break kit must be installed in drain hose if drain receptacle is lower than cabinet top of washer

# Weldment and Bearing Assembly, Brake and Pulley

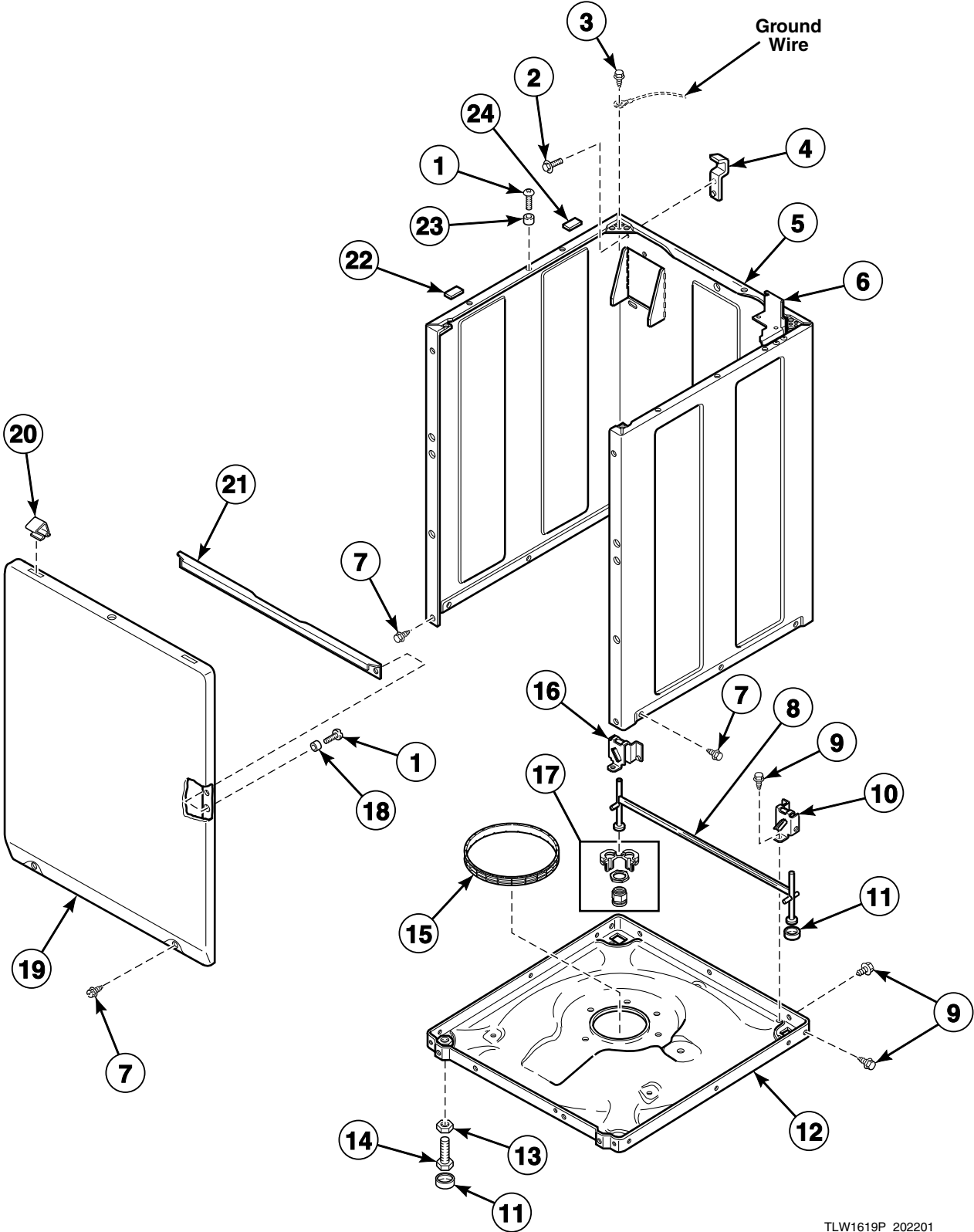


W333P\_202201

## Weldment and Bearing Assembly, Brake and Pulley

REF	PART NO.	DESCRIPTION	COMMENTS
1	39253	Weldment and Bearing Assembly	
2	38505P	Brake Kit	
3	735P3	Brake Pad Kit	Includes 3 pads
	26594P	Silicone Grease	Apply small amount to each new brake pad
4	39739	Screw	
5	35535	Washer	Thin
6	27015	Washer	Thick
7	38143	Pulley	
8	26509	Washer	
9	27220	Screw	
10	38008	Helix	
11	28944RP	Upper or Lower Bearing	

# Front Panel, Base Assembly and Cabinet Kit

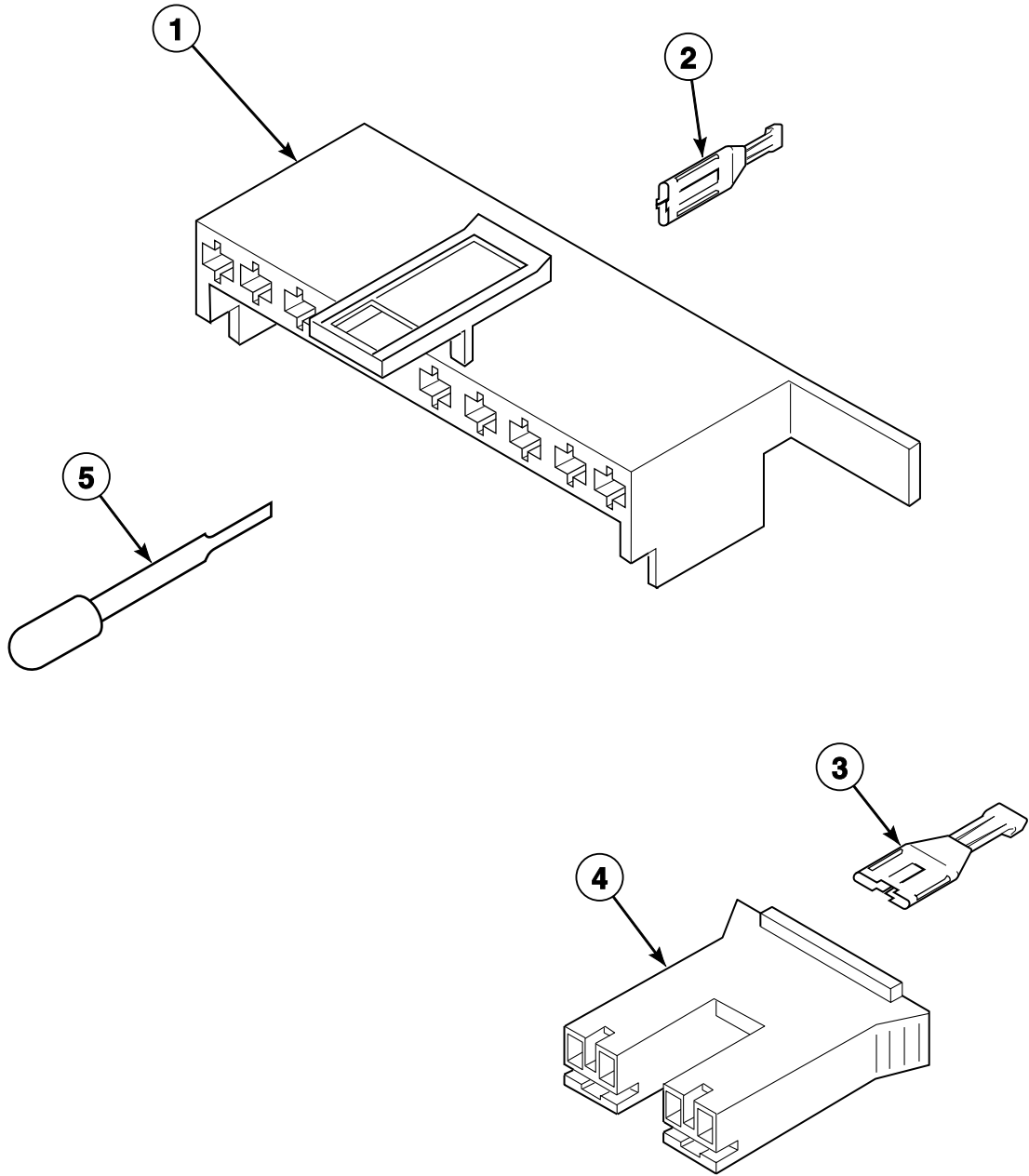


TLW1619P\_202201

## Front Panel, Base Assembly and Cabinet Kit

REF	PART NO.	DESCRIPTION	COMMENTS
	122P4P	Porcelain Touch-Up Paint	White
	370P4P	Porcelain Touch-Up Paint	Bisque
1	39733	Screw	
2	51780	Screw	
3	52909	Screw	
4	27103	Hold-Down Lug Hinge	
5	38612QP	Service Cabinet Kit	Model SWNLC2SP111TQ01
	38612WP	Service Cabinet Kit	All other models
6	35867	Meter Case Mounting Bracket Assembly	
7	27196	Screw	Slotted hex head
	431287	Screw	Torx head
8	34443	Leg and Stabilizer Assembly	
9	35148	Screw	
10	36036	Bracket	Right
11	34318	Rubber Foot	
12	39788	Base Assembly	
13	21899	Nut	
14	34319	Leveling Leg	
15	37937	Friction Ring	
16	36037	Bracket	Left
17	566P3	Adjustable Leg Extension Kit	Provides adjustment capabilities to rear self-leveling legs
18	28102	Panel Locator	
19	38335QP	Front Panel	Model SWNLC2SP111TQ01
	38335WP	Front Panel	All other models
20	35865	Hold-Down Clip	
21	35097	Front Panel Brace	
22	56128	Bumper Pad	
23	56079	Panel Locator	
24	36226	Bumper Pad	

# Mixing Valve and Motor Disconnect Blocks, Terminals and Terminal Extractor Tool



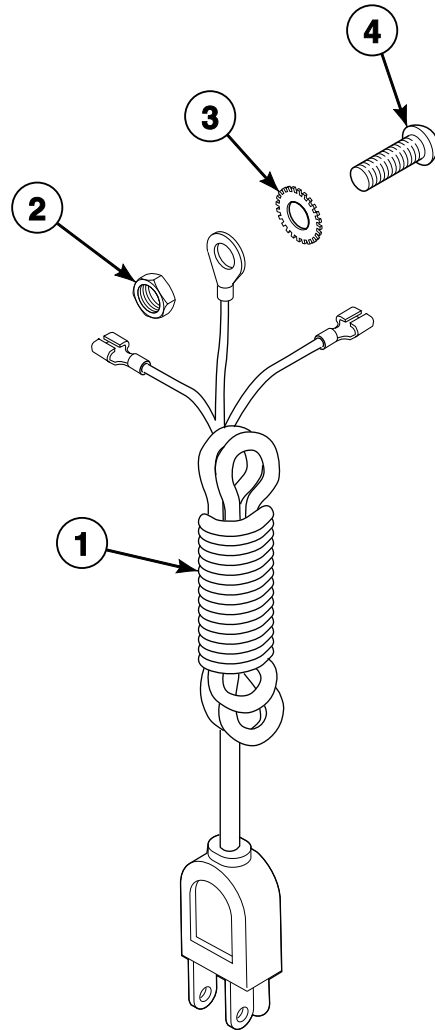
W134PZ3A\_202201



## Mixing Valve and Motor Disconnect Blocks, Terminals and Terminal Extractor Tool

REF	PART NO.	DESCRIPTION	COMMENTS
1	34677	10 Circuit Plug	Motor
2	00188	Female Terminal	For 1 or 2 wire application
3	00121	Female Spade Terminal	1/4 inch
4	34675	Mixing Valve Plug	Natural
	34676	Mixing Valve Plug	Red
5	283P4	Terminal Extractor Tool	

# Lead-In Cord

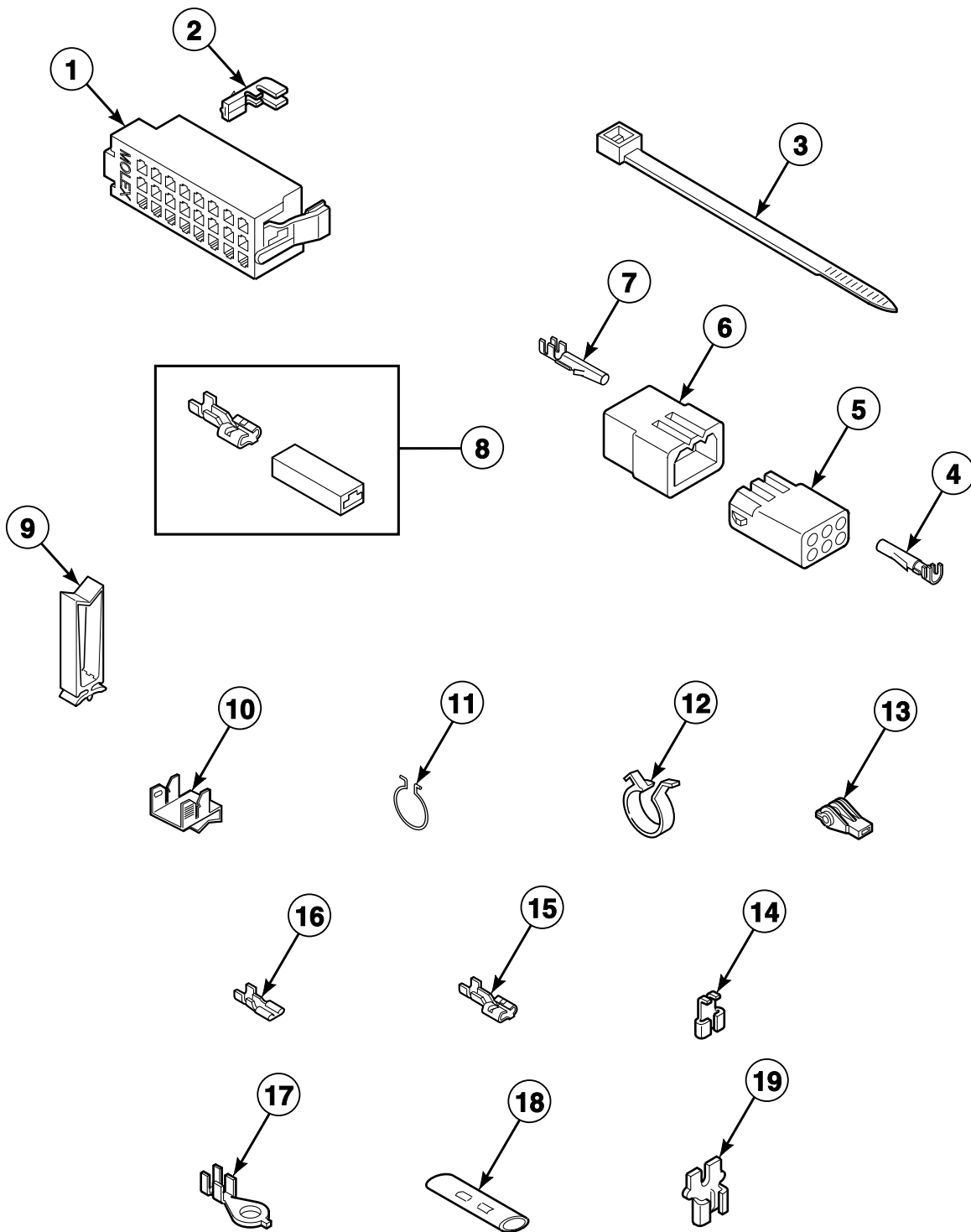


TLW1089P\_202201

## Lead-In Cord

REF	PART NO.	DESCRIPTION	COMMENTS
1	39931	Power Cord Assembly	Model SWNLX2SP301AW01
	38362P	Lead-In Cord	Model SWNLY2SP301NW22
	34458	Lead-In Cord	All other models
2	03673	Nut	
3	21735	Washer	
4	20267	Screw	

# Terminals

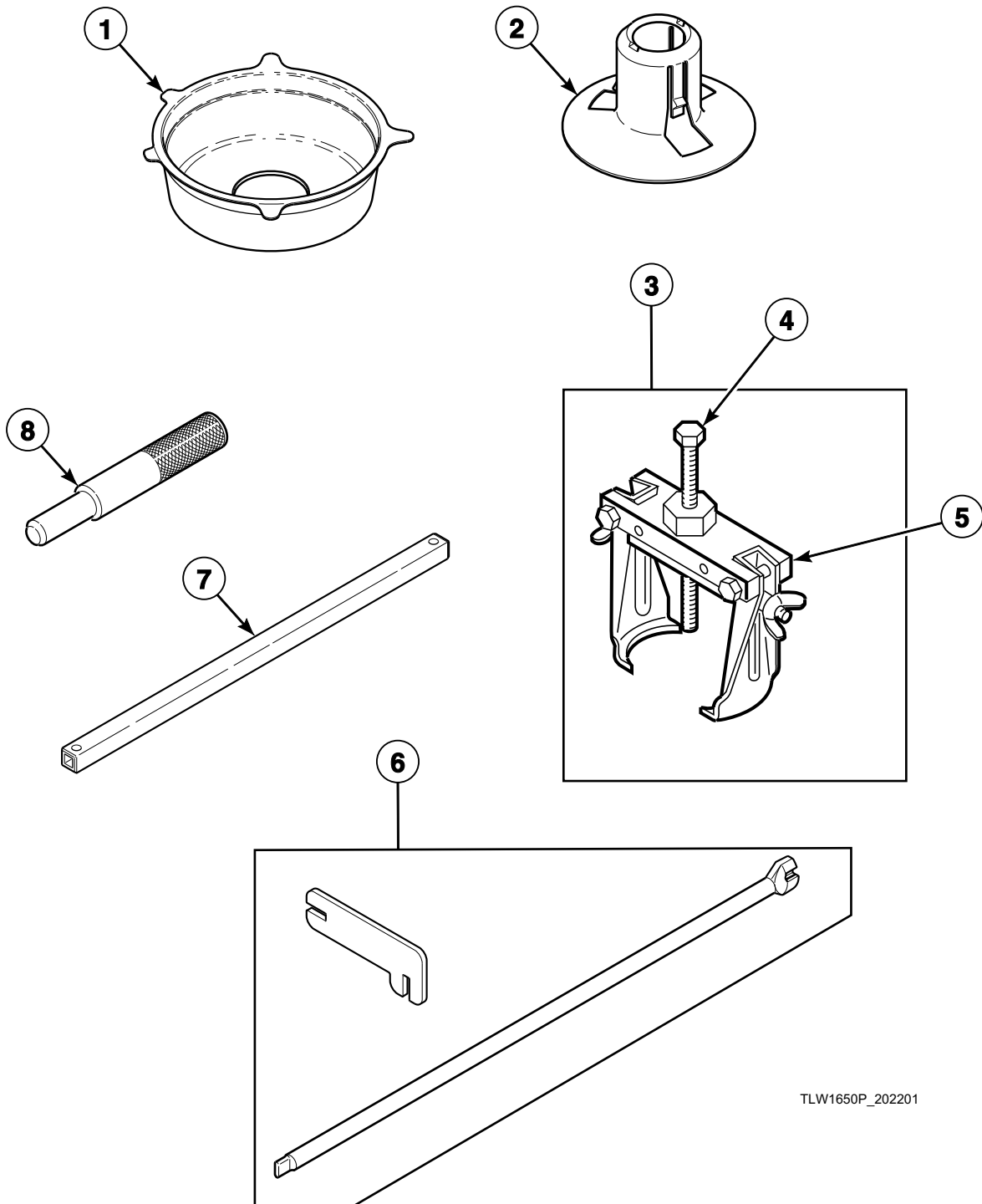


TLW1645P\_202201

# Terminals

REF	PART NO.	DESCRIPTION	COMMENTS
1	32746	24 Position Housing	Right; Black
	34123	24 Position Housing	Left; White
2	00188	Female Terminal	Used for 1 or 2 wire application
3	55881	Harness Strap	
4	00117	Female Pin Terminal	
5	26301	1 Circuit Receptacle	
	26708	6 Circuit Receptacle	
	26163	9 Circuit Receptacle	
6	26302	1 Circuit Plug	
	23041	6 Circuit Plug	
	23033	9 Circuit Plug	
7	00116	Male Pin Terminal	
8	00359	Insulated Female Spade Terminal	
9	36274	Wire Clip	
10	00161	Grounding Clip	
11	51291	Wire Clip	
12	504034	Wire Clip	
13	70210	Insulator	
14	00120	Female Flag Terminal	
15	00223	Female Spade Terminal	Large spade
16	00112	Female Spade Terminal	Small spade
17	00110	Ring Terminal	Small shank
18	21091	Connector	
19	F140562	Connector	

# Shipping Materials and Special Tools

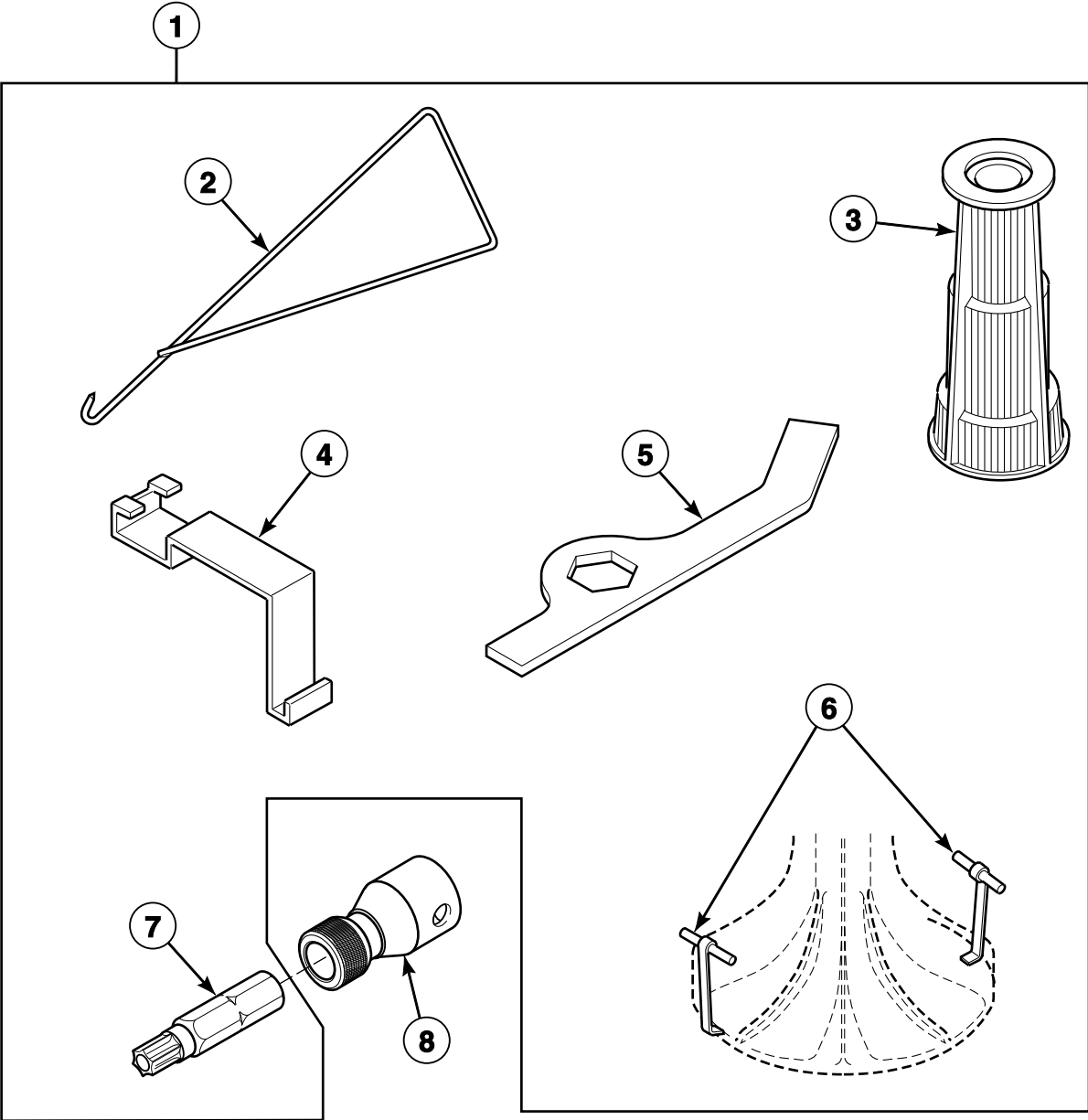


TLW1650P\_202201

## Shipping Materials and Special Tools

REF	PART NO.	DESCRIPTION	COMMENTS
1	200552	Shipping Brace	Install whenever moving washer; Remove before use
2	38149	Shipping Plug	Install whenever moving washer; Remove before use
3	294P4	Agitator Drive Bell Puller	For removal and installation of drive bell to transmission shaft
4	294P4B	Bolt	To update 253P4 Bell Puller
5	294P4A	Drive Bell Puller Arm	To update 253P4 Bell Puller
6	CK096	Mounting Tool Kit	Use to install and remove electronic coin drops
7	310P4	Ratchet Extension Tool	1/4 inch; Use to install and remove non-electronic coin drops
8	305P4	Transmission Pin Tool	Use pin tools in place of dowel pins when reassembling transmission cover and case; 2 required

# Special Tools



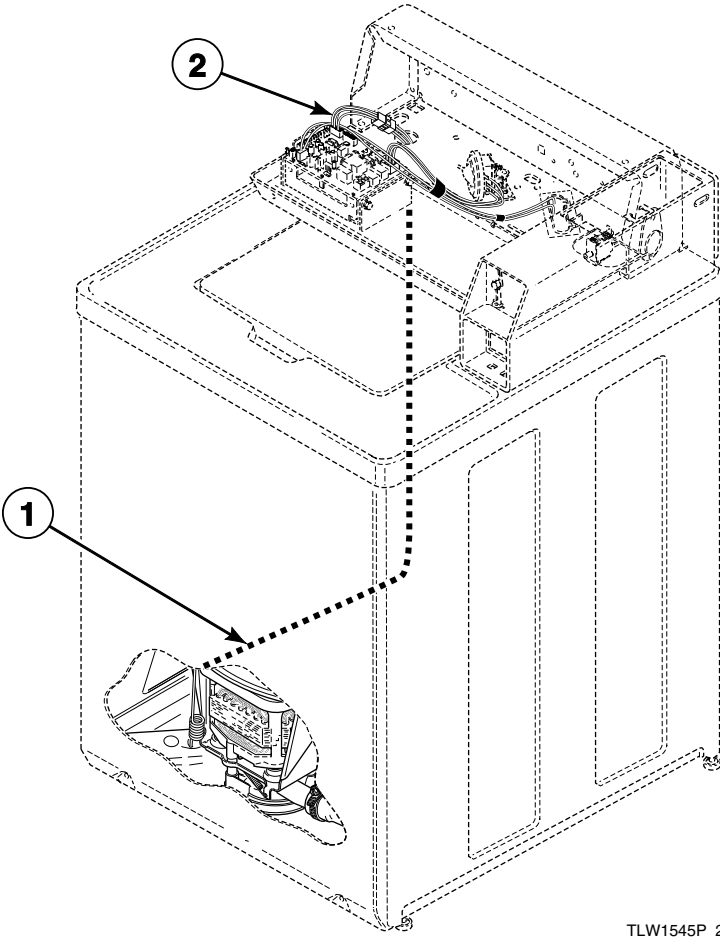
TLW1649P\_202201



## Special Tools

REF	PART NO.	DESCRIPTION	COMMENTS
1	725P3	Tool Kit	Includes items 2-7
2	321P4	Spring Hook Tool	For removal of centering springs from outer tub
3	293P4	Drive Bell Seal Tool	For installation of 36425 Bell and Transmission Tube Seal
4	273P4	Tub Cover Removal Tool	Use to install 38359 Tub Cover Gasket in outer tub cover
5	306P4	Hex Wrench Tool	For removal of locknut from washtub hub
6	254P4P	Agitator Hook	Use to remove agitator from drive bell; Set of 2
7	281P4	Torx Bit	T15; For removal and installation of control hood security screws
	282P4	Torx Bit	T25; For removal and installation of front panel security screws
8	24161	Bit Holder	3/8 inch drive

# Wire Harnesses and Wires



TLW1545P\_202201

## Wire Harnesses and Wires

REF	PART NO.	DESCRIPTION	COMMENTS
	45001	18 Gauge Wire	Black; Order wire by foot and terminals as required
	45380	12 Gauge Wire	Orange; Order wire by foot and terminals as required
1	201466	Base Wire Harness Assembly	Models SWNLX2SP301AW01 and SWNLY2SP301NW22
	38661P	Wire Harness Assembly	Base; All other models
2	202042	Wire Harness Assembly	Hood; Models SWNLX2SP301AW01 and SWNLY2SP301NW22
	202041	Wire Harness Assembly	Hood; All other models; Models through Serial No. 1110007358
	202375	Wire Harness Assembly	Hood; All other models; Models starting Serial No. 1110007359

**NOTE: Individual wires are not available separately. Order complete harness, or order wire by the foot. When applying terminals to wires, it is recommended that the terminals be soldered to the wires.**



# Parts Index

## A

Adjustable Leg Extension Kit 566P3 .....	37
Agitate and Spin Belt 200923 .....	25
38174 .....	25
Agitator 33174 .....	27
Agitator Cap 36515 .....	27
Agitator Drive Bell Puller 294P4 .....	45
Agitator Hook 254P4P .....	47
Agitator Pinion 27003 .....	31
Anti-Seize Compound 27604P .....	31

## B

Backflow Preventer 34500 .....	23
Balance Ring Assembly 39836 .....	27
Base Assembly 39788 .....	37
Base Wire Harness Assembly 201466 .....	49
Bell and Transmission Tube Seal 36425 .....	27
Bell Plug 36511 .....	27
Belt and Pump Kit RB150003 .....	25
Bit Holder 24161 .....	47
Bolt 02505 .....	5
294P4B .....	45
32184 .....	17
Bracket 201918 .....	17
202083 .....	19
36036 .....	37
36037 .....	37
Brake Kit 38505P .....	35
Brake Pad Kit 735P3 .....	35
Bumper M400795 .....	9, 11, 13, 15
21685 .....	19
Bumper Pad 36226 .....	37
56128 .....	37
Bushing 33446 .....	19

## C

Cable Clip 21036 .....	29
Cable Connection Box 39922 .....	13
Capacitor 37377 .....	25
Capacitor Clamp 37535 .....	25
Clip 201572 .....	7
Coin Box Extension Kit 803578P .....	5
Coin Drop 38963P .....	5
70441601P .....	5
Coin Drop Assembly 38462P .....	5
38463 .....	5
38464P .....	5
38467 .....	5
70441602 .....	5
70447301 .....	5
70482401 .....	5
Coin Drop Wire Harness 201104 .....	7
Coin Identification Paper 38725 .....	7
Connector F140562 .....	43
21091 .....	43
Control Assembly 201967P .....	9, 11, 13, 15
Control Hood 210142W .....	11, 15
37075Q .....	9
37075W .....	9, 13
Control Overlay 202023 .....	11
202080 .....	11
202415 .....	11, 15
202417 .....	9
202418 .....	11
Control Panel Assembly 210042Q .....	9
210042W .....	9, 13
210137W .....	11, 15
Control Panel Bumper 202469 .....	9, 11, 13, 15
Control Panel Overlay 202024 .....	9
202416 .....	9, 13
Control Shield 210053 .....	9, 11, 13, 15
Control Sticker Overlay 202309 .....	9, 11
Counterweight Assembly 38769 .....	29

N/A items do not appear in index.

---

**D**

Diagnostic Wire Harness Assembly	
800680 .....	11, 15
Disconnect Power Warning Label	
505281 .....	11, 15, 19
Drain Hose	
28293 .....	33
Drain Hose Elbow	
35766 .....	33
36990 .....	33
Drive Bell and Seal Kit	
39508P .....	27
Drive Bell Puller Arm	
294P4A .....	45
Drive Bell Seal Tool	
293P4 .....	47
Drive Pinion	
37405 .....	31

---

**E**

Electronic Coin Drop Assembly	
70294103P .....	7
70294104 .....	7
70294105P .....	7
70294106 .....	7
70294107 .....	7
70294110 .....	7
70294111 .....	7
70294116 .....	7
70294117 .....	7
70294120 .....	7
70294121 .....	7
Electronic Coin Drop Kit	
CK099 .....	7
CK100 .....	7
CK101 .....	7
CK103 .....	7
CK108 .....	7
CK109 .....	7
CK110 .....	7
CK113 .....	7
CK115 .....	7
CK116 .....	7
CK117 .....	7
CK118 .....	7
CK120 .....	7
CK121 .....	7
End Cap	
210108W .....	11, 15
210109W .....	11, 15
Ethernet Gateway Kit	
NK320 .....	9, 11, 13, 15

---

**F**

Female Flag Terminal	
00120 .....	43
Female Pin Terminal	
00117 .....	43

Female Spade Terminal	
00112 .....	43
00121 .....	39
00223 .....	43
Female Terminal	
00188 .....	39, 43
Fill Hose	
20617 .....	23
20618 .....	23
37380 .....	23
37381 .....	23
Fill Hose Kit	
38349P .....	23
Friction Ring	
37937 .....	37
Front Panel	
38335QP .....	37
38335WP .....	37
Front Panel Brace	
35097 .....	37

---

**G**

Gear and Stud Assembly	
26577 .....	31
Gear Sleeve	
38864 .....	31
Grease	
36765P .....	27
Grommet	
29175 .....	29
80262 .....	19
Grounding Clip	
00161 .....	43

---

**H**

Harness Assembly	
802904P .....	5
802905 .....	5, 7
Harness Strap	
55881 .....	43
Helix	
38008 .....	35
Hex Wrench Tool	
306P4 .....	47
Hinge Gasket	
34338 .....	19
Hold-Down Clip	
35865 .....	37
Hold-Down Lug Hinge	
27103 .....	37
Hood Back Panel	
38267 .....	9
39920 .....	13
Hose Clamp	
F200204 .....	33
20211 .....	33
20391 .....	33
36801 .....	23
39282 .....	29
800803 .....	23

N/A items do not appear in index.

Hose Clip	
36985 .....	29
Hose Coupler	
25863 .....	33
Hose Retainer Clip	
39177 .....	33
Housing, 24 Position	
32746 .....	43
34123 .....	43
Hub and Lip Seal Kit	
766P3A .....	27, 29
Hub Spacer	
201212 .....	31

## I

Idler Lever	
38011 .....	25
Idler Lever Kit	
959P3 .....	25
Idler Lever Spring	
201189 .....	25
202032 .....	25
Idler Pulley	
38225P .....	25
Idler Shaft	
210186 .....	25
Input Shaft	
38268P .....	31
Insulated Female Spade Terminal	
00359 .....	43
Insulator	
70210 .....	43
Isolator Post	
38325 .....	25

## J

Jumper Configuration Assembly	
M413507 .....	13, 15

## L

Lead-In Cord	
34458 .....	41
38362P .....	41
Lead-In Wire Harness Assembly	
201405P .....	13
Leg and Stabilizer Assembly	
34443 .....	37
Leg Plate	
27926 .....	29
Leg Spring	
201521 .....	29
37575 .....	29
Leveling Leg	
34319 .....	37
Lid	
201460WP .....	19
201461WP .....	19

Lid and Carton Assembly	
201460QP .....	19
Lid Hinge	
36437 .....	19
36438 .....	19
Lid Plug	
34153 .....	19
Lid Switch Assembly	
37631 .....	21

## M

Male Pin Terminal	
00116 .....	43
Male Tab Terminal	
00177 .....	25
Meter Case Assembly	
38724Q .....	5
38724W .....	5
802505W .....	5
Meter Case Assembly Kit	
803063WP .....	5
Meter Case Bracket Gasket	
35526 .....	5
Meter Case Gasket	
26354 .....	5
Meter Case Lockdown Bracket	
35525 .....	5
Meter Case Locking Bracket	
30642 .....	5
Meter Case Mounting Bracket Assembly	
35867 .....	37
Mixing Valve	
201402P .....	23
201468P .....	23
39070P .....	23
Mixing Valve Kit	
RB150001 .....	23
Mixing Valve Mounting Bracket	
39407 .....	23
Mixing Valve Plug	
34675 .....	39
34676 .....	39
Mixing Valve Screen	
24122 .....	23
Mixing Valve-to-Tub Cover Hose	
38155 .....	23
Motor Kit	
201433P .....	25
38034P .....	25
Motor Mount	
38395 .....	25
38396 .....	25
Motor Mount Bracket	
200941 .....	25
Motor Shield	
34754 .....	25
Mounting Tool Kit	
CK096 .....	45

N/A items do not appear in index.

---

## N

Network Controller Kit	
NK220 .....	9, 11, 13, 15
Network Retrofit Kit	
NK201 .....	9, 11, 13, 15
Nut	
M400981 .....	21
03673 .....	41
201216 .....	7
21899 .....	37
23951 .....	17
27222 .....	19
28803 .....	25
29220 .....	27
29786 .....	5
30647 .....	5, 17
35423 .....	25
36020 .....	19
52566 .....	9, 13, 25
802337 .....	5

---

## O

Options Label	
202331 .....	9, 11
202332 .....	9, 11, 13, 15
Opto Coupler	
200674P .....	5
Outer Tub Assembly	
200511P .....	29
Outer Tub Flange Kit	
636P3 .....	29
Output Shaft	
36570P .....	31
Overlay	
201091 .....	7

---

## P

Panel Locator	
28102 .....	37
56079 .....	37
Plug, 1 Circuit	
26302 .....	43
Plug, 10 Circuit	
34677 .....	39
Plug, 6 Circuit	
23041 .....	43
Plug, 9 Circuit	
23033 .....	43
Porcelain Touch-Up Paint	
122P4P .....	37
370P4 .....	37
Power Cord Assembly	
39931 .....	13, 41
Pressure Bulb	
30907 .....	29
Pressure Switch	
201997P .....	9, 11
803637 .....	9, 11, 13, 15
803638 .....	9, 11, 13, 15

N/A items do not appear in index.

Pressure Switch Bracket	
201789 .....	9, 11, 13, 15
Pulley	
38143 .....	35
Pump	
201566P .....	25
Pump Assembly	
201442P .....	25
Pump-to-Drain Elbow Hose	
38273 .....	33

---

## R

Rack	
201664 .....	31
Ratchet Extension Tool	
310P4 .....	45
Rear Panel	
201919 .....	17
210143 .....	11, 15
Receptacle, 1 Circuit	
26301 .....	43
Receptacle, 6 Circuit	
26708 .....	43
Receptacle, 9 Circuit	
26163 .....	43
Reduction Gear	
37404P .....	31
Resistor	
210100 .....	13, 15
Retaining Ring	
23748 .....	25
27197 .....	31
Ring Terminal	
00110 .....	43
Rubber Foot	
34318 .....	37

---

## S

Screw	
M402574 .....	21
02916 .....	9, 13
201773 .....	31
20267 .....	41
20530 .....	25
23008 .....	19
23222 .....	9, 13
23962 .....	9, 11, 13, 15, 19, 21
27196 .....	37
27202 .....	27
27220 .....	35
27229 .....	25
29273 .....	31
32814 .....	31
33562 .....	23
34337 .....	19
35148 .....	37
35369 .....	25, 29
35528 .....	9, 13
36048 .....	5
36639 .....	25
39397 .....	23



39432	27
39566	29
39733	37
39739	35
431287	19, 37
501086	9, 11, 13, 15
501524	9, 11, 13, 15
503661	9, 11, 13, 15
503673	5, 19
503688	17
51780	37
52864	9, 11, 13, 15
52909	19, 25, 33, 37
Sealant	
200996P	27, 29
Security Kit	
904P3	17
Service Cabinet Kit	
38612QP	37
38612WP	37
Service Door Assembly	
39874QP	5
39874WP	5
803043WP	5
Shipping Brace	
200552	45
Shipping Plug	
38149	45
Shock Warning Label	
511021	13
Silicone Grease	
26594P	35
Single Overlay	
202123	5
38717	5
Siphon Break Kit	
562P3	33
Slide	
26493	31
Spline Insert	
29728	27
Spring Clip	
210202	25
Spring Hook Tool	
321P4	47
Strain Relief	
38384	19
Support Barrel	
56534	19
Switch	
33445	21
512973	5

## T

Terminal Extractor Tool	
283P4	39
Tool Kit	
725P3	47
Top	
39167QP	19
39167WP	19

Top Assembly	
210173WP	19
Top Shield	
39744	19
Torx Bit	
281P4	47
282P4	47
Transformer	
201375P	7, 9, 11
210018P	9
803527P	13, 15
Transmission Assembly	
38165P	31
Transmission Case Assembly	
33223P	31
Transmission Cover Assembly	
37471	31
Transmission Oil	
27243P	31
Transmission Pin Tool	
305P4	45
Transmission Rebuild Kit	
RB150004	31
Transmission Sealant	
37577P	31
Tub Cover and Gasket Assembly	
38573	29
Tub Cover Gasket	
38359	29
Tub Cover Removal Tool	
273P4	47
Tub Kit	
39250P	27
Tubing	
202700	29
Tub-to-Pump Hose	
38351	33

## U

Upper or Lower Bearing	
28944RP	35
USB Gateway Kit	
NK330	9, 11, 13, 15

## W

Warning Label	
500049	29
500316	11, 19
Washer	
M400017	9, 13
02431	9, 13
200608	9, 11, 13, 15
20290	23
21735	41
25100	17
26509	31, 35
27015	35
28094	27
29260	31
35092	31

N/A items do not appear in index.

35535 .....	35
37772 .....	25
39249 .....	19, 29
504082 .....	25
52549 .....	25
802254 .....	23
803615 .....	23
81392 .....	25
Washtub Gasket	
39122 .....	27
Washtub Kit	
719P3 .....	27
Water Hose	
F200116 .....	23
Weldment and Bearing Assembly	
39253 .....	35
Wire Clip	
36274 .....	43
504034 .....	43
51291 .....	43
Wire Guard	
201595P .....	5
Wire Harness Assembly	
202041 .....	49
202042 .....	49
202375 .....	49
38661P .....	49
Wireless Network Kit	
NK301 .....	9, 11, 13, 15
Wire, 12 Gauge	
45380 .....	49
Wire, 18 Gauge	
45001 .....	49

---