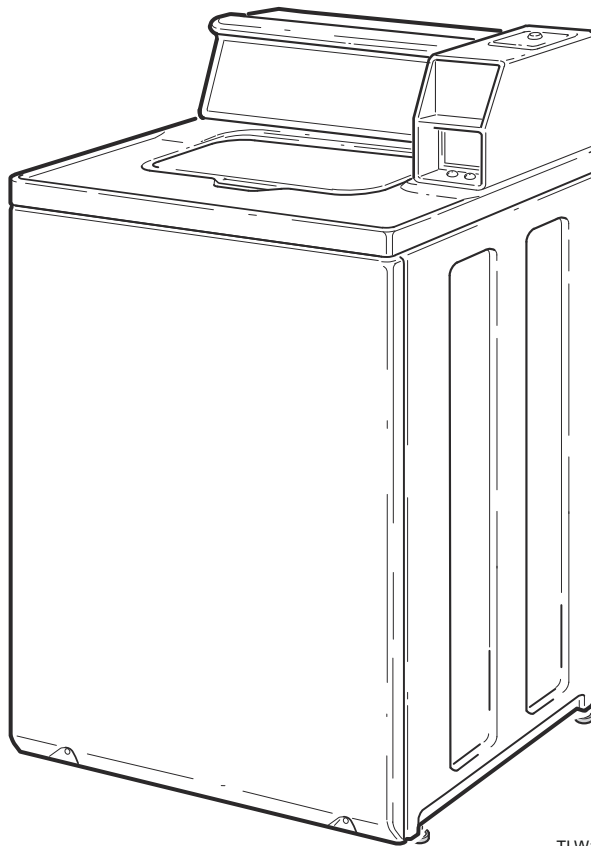


# Commercial Topload Washers

Metered and Nonmetered  
Refer to Page 3 for Model Numbers



TLW13C\_203385



# Table of Contents

Title	Page
Parts Ordering Information.....	2
Serial Plate Location .....	2
Model Identification .....	3
Non-Electronic Coin Drop and Meter Case.....	4
Electronic Coin Drop .....	6
Control Panel, Control Hood and Controls (Drawing 1 of 3).....	8
Control Panel, Control Hood and Controls (Drawing 2 of 3).....	10
Control Panel, Control Hood and Controls (Drawing 3 of 3).....	12
Control Hood Security Kit.....	14
Lid .....	16
Cabinet Top .....	18
Lid Switch.....	20
Fill Hose, Mixing Valve-to-Tub Cover Hose and Mixing Valve.....	22
Motor, Belt, Pump and Idler Assembly.....	24
Agitator, Drive Bell, Hub and Lip Seal Kit and Washtub .....	26
Outer Tub, Cover, Bearing and Seal Housing, Pressure Hose and Counterweight.....	28
Transmission Assembly .....	30
Drain Hoses and Siphon Break Kit .....	32
Weldment and Bearing Assembly, Brake and Pulley.....	34
Front Panel, Base Assembly and Cabinet Kit.....	36
Mixing Valve and Motor Disconnect Blocks, Terminals and Terminal Extractor Tool.....	38
Lead-In Cord .....	40
Terminals .....	42
Shipping Materials and Special Tools .....	44
Special Tools .....	46
Output Board, Wire Harnesses and Wires.....	48
Parts Index.....	51

© Copyright 2015, Alliance Laundry Systems LLC

All rights reserved. No part of the contents of this book may be reproduced or transmitted in any form or by any means without the expressed written consent of the publisher.

## Parts Ordering Information

If literature or replacement parts are required, contact the source from whom the machine was purchased or contact Alliance Laundry Systems at (920) 748-3950 for the name and address of the nearest authorized parts distributor.

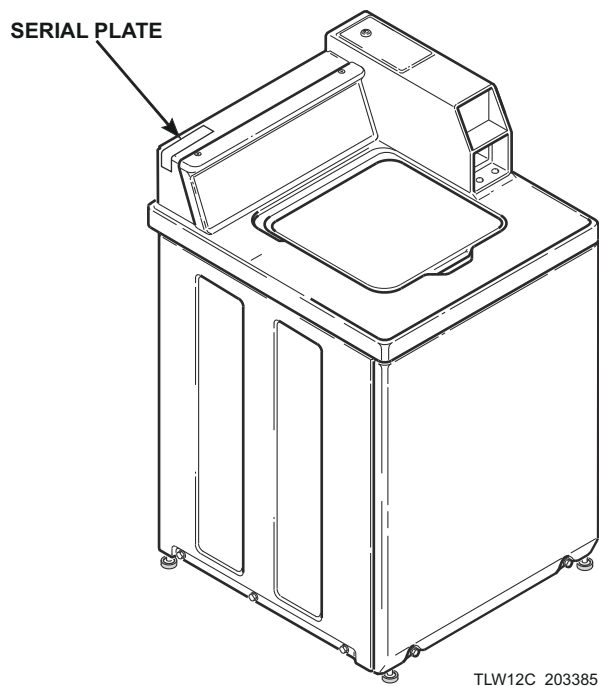
For technical assistance, call either of the numbers listed below:

(920) 748-3121 Ripon, Wisconsin

+32 56 41 20 54 Wevelgem, Belgium

## Serial Plate Location

When calling or writing about your product, be sure to mention model and serial numbers. Model and serial numbers are located on serial plate(s) as shown.



TLW12C\_203385

## Model Identification

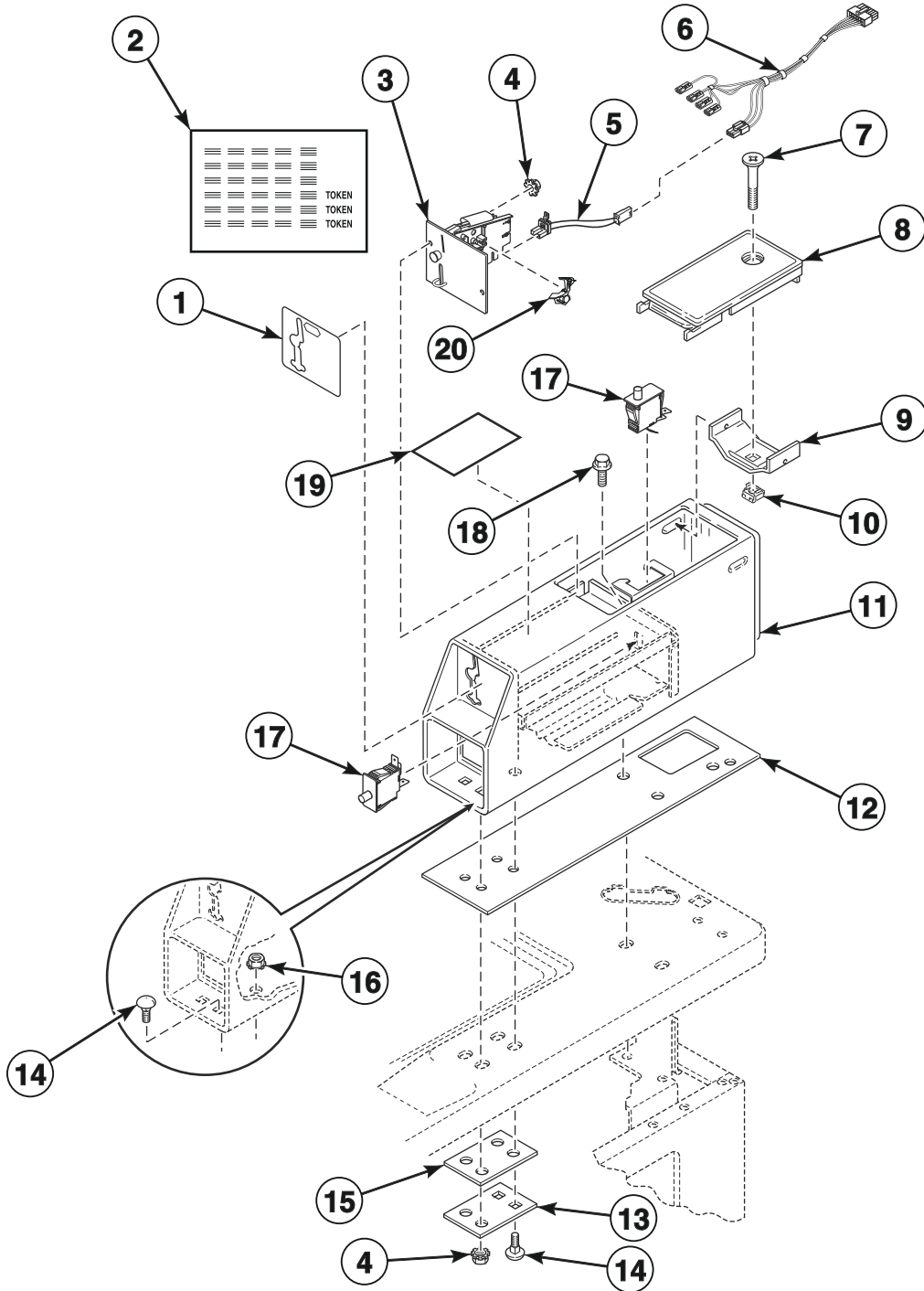
Information in this manual is applicable to these washer models:

HWNNE2AP113CW01  
HWNNE2HP113CW01  
HWNNE2SP113CW01  
HWNNX2HP113CW01  
HWNNX2SP113CW01  
HWNNX2SP123DW01  
HWNNX2SP543DW01  
HWNNY2HP113CW01  
HWNNY2SP113CW01

SWNNC2AP113TW01  
SWNNC2AP113TW02  
SWNNC2HP113TQ01  
SWNNC2HP113TW01  
SWNNC2HP113TW02  
SWNNC2PP113TW01  
SWNNC2PP113TW02  
SWNNC2SP113TQ01  
SWNNC2SP113TW01  
SWNNC2SP113TW02  
SWNNX2AP113TW02  
SWNNX2HP113TW01  
SWNNX2HP113TW02  
SWNNX2PP113TW02  
SWNNX2SP113JW01  
SWNNX2SP113TW01  
SWNNX2SP113TW02  
SWNNX2SP123DW01  
SWNNX2SP303AW01  
SWNNX2SP543DW01  
SWNNX2SP543NW23  
SWNNX2SP543PW01  
SWNNY2AP113TW01  
SWNNY2HP113TW01  
SWNNY2PP113TW01  
SWNNY2SP113TW01  
SWNNY2SP303NW22  
SWNNY2SP303UW01  
SWNWY2AP113TW01  
SWNWY2HP113TW01

# Non-Electronic Coin Drop and Meter Case

Models HWNNE2AP113CW01, HWNNE2HP113CW01, HWNNE2SP113CW01, HWNNX2HP113CW01, HWNNX2SP113CW01, HWNNX2SP123DW01, HWNNX2SP543DW01, SWNNC2AP113TW01, SWNNC2AP113TW02, SWNNC2HP113TQ01, SWNNC2HP113TW01, SWNNC2HP113TW02, SWNNC2PP113TW01, SWNNC2PP113TW02, SWNNC2SP113TQ01, SWNNC2SP113TW01, SWNNC2SP113TW02, SWNNX2AP113TW02, SWNNX2HP113TW01, SWNNX2HP113TW02, SWNNX2PP113TW02, SWNNX2SP113JW01, SWNNX2SP113TW01, SWNNX2SP113TW02, SWNNX2SP123DW01, SWNNX2SP303AW01, SWNNX2SP543DW01, SWNNX2SP543NW23, SWNNX2SP543PW01, SWNNY2SP303UW01 and SWNNY2AP113TW01



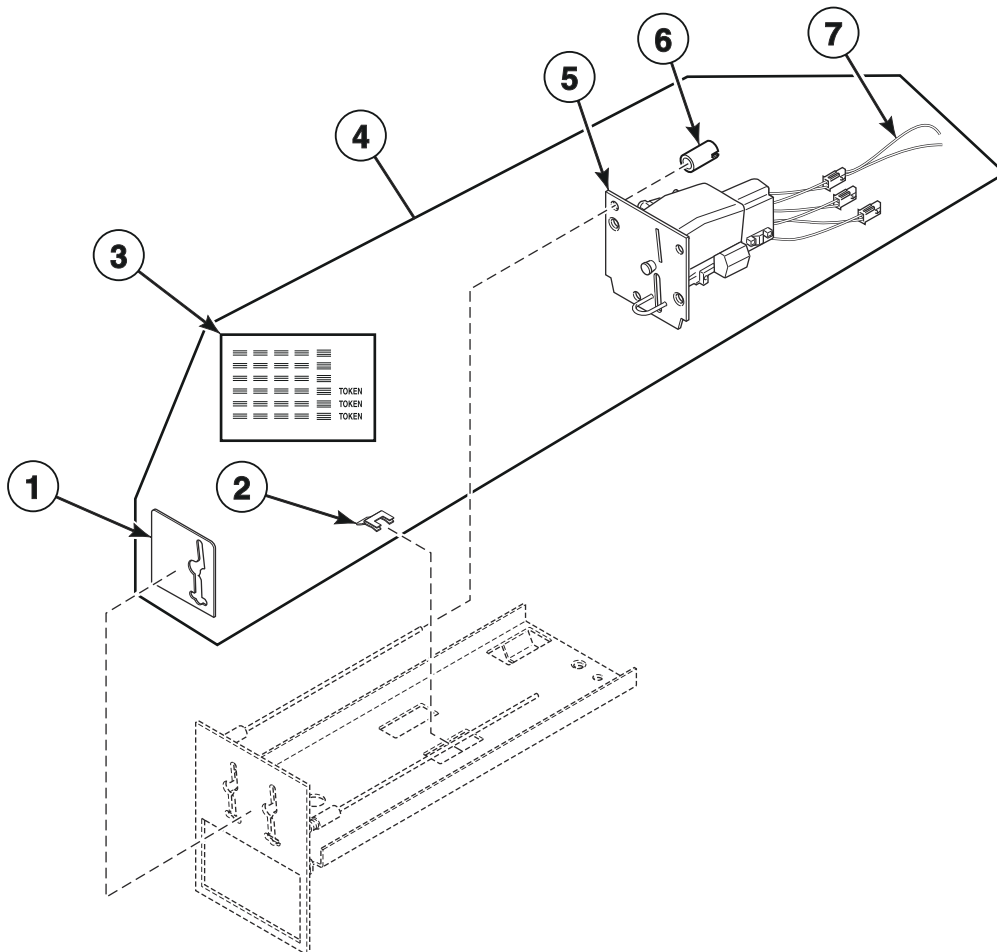
TLW1741P\_203385

## Non-Electronic Coin Drop and Meter Case

REF	PART NO.	DESCRIPTION	COMMENTS	
1	38717	Single Overlay	\$.25	
	38676	Overlay Kit	Dual; Includes item 2	
	39073	Dual Overlay	\$.25 and \$1.00	
2	38725	Coin Identification Paper		
3	70441601P	Coin Drop	Single; U.S.A.; \$.25	
	70441603	Coin Drop	Dual; U.S.A.; \$.25 and \$1.00	
	38467	Coin Drop Assembly	Dual; Australia; .20 and 1.00	
	70447301	Coin Drop Assembly	Dual; Australia; 1.00 and 2.00	
	38464P	Coin Drop Assembly	Single; Canada; .25	
	70441602	Coin Drop Assembly	Dual; Canada; .25 and 1.00	
	38472	Coin Drop Assembly	Dual; England; 20 pence and 1 pound	
	38519	Coin Drop Assembly	Dual; Japan; 100 yen and 500 yen	
	38521	Coin Drop Assembly	Dual; Korea; 100 won and 500 won	
	CK114	Coin Drop Assembly	Single; Singapore; Old 1.00	
	CK123	Coin Drop Assembly	Single; Singapore; New 1.00	
	70482401	Coin Drop Assembly	Dual; New Zealand ; 1.00 and 2.00	
	38462P	Coin Drop Assembly	Single; Token; STD-118-1	
	38463	Coin Drop Assembly	Single; Token; STD 118-5	
	38963P	Coin Drop	Single; Token 118-16 not available; Replacement for 38963P Coin Drop only	
	4	29786	Nut	
	5	200674P	Opto Coupler	
6	202870	Single Coin Harness Assembly	Models SWNNC2AP113TW01, SWNNC2AP113TW02, SWNNC2HP113TQ01, SWNNC2HP113TW01, SWNNC2HP113TW02, SWNNC2PP113TW01, SWNNC2PP113TW02, SWNNC2SP113TQ01, SWNNC2SP113TW01 and SWNNC2SP113TW02	
	202871	Dual Coin Harness Assembly	All other models	
7	503673	Screw		
8	39874WP	Service Door Assembly	White	
	39874QP	Service Door Assembly	Bisque	
9	30642	Meter Case Locking Bracket		
10	30647	Nut		
11	803063WP	Meter Case Assembly Kit		
	803578P	Coin Box Extension Kit	Use with 803063W Meter Case Assembly to extend shorter 7 inch coin boxes; Models SWNNC2PP113TW02, SWNNC2SP113TW02, SWNNX2PP113TW02 and SWNNX2SP113TW02	
	38724W	Meter Case Assembly	White; All other models	
	38724Q	Meter Case Assembly	Bisque; All other models	
12	26354	Meter Case Gasket		
13	35525	Meter Case Lockdown Bracket		
14	02505	Bolt		
15	35526	Meter Case Bracket Gasket		
16	802337	Nut		
17	512973	Switch		
18	36048	Screw		
19	203152	Operation Instruction Label	Models ending in DW01	
20	201595P	Wire Guard	Anti-stringing security device	

# Electronic Coin Drop

Models HWNNE2AP113CW01, HWNNE2HP113CW01, HWNNE2SP113CW01, HWNNX2HP113CW01, HWNNX2SP113CW01, HWNNX2SP123DW01, HWNNX2SP543DW01, SWNNC2AP113TW01, SWNNC2AP113TW02, SWNNC2HP113TQ01, SWNNC2HP113TW01, SWNNC2HP113TW02, SWNNC2PP113TW01, SWNNC2PP113TW02, SWNNC2SP113TQ01, SWNNC2SP113TW01, SWNNC2SP113TW02, SWNNX2AP113TW02, SWNNX2HP113TW01, SWNNX2HP113TW02, SWNNX2PP113TW02, SWNNX2SP113JW01, SWNNX2SP113TW01, SWNNX2SP113TW02, SWNNX2SP123DW01, SWNNX2SP303AW01, SWNNX2SP543DW01, SWNNX2SP543NW23, SWNNX2SP543PW01, SWNNY2SP303UW01 and SWNNY2AP113TW01



TLW1801P\_203385



# Electronic Coin Drop

REF	PART NO.	DESCRIPTION	COMMENTS
1	201091	Overlay	
2	201572	Clip	
3	38725	Coin Identification Paper	
4	CK115	Electronic Coin Drop Kit	Includes items 1-3 and 5-7; United States and Canada coins; Models SWNNC2AP113TW01, SWNNC2AP113TW02, SWNNC2HP113TW01, SWNNC2HP113TW02, SWNNC2PP113TW01, SWNNC2PP113TW02, SWNNC2SP113TQ01, SWNNC2SP113TW01 and SWNNC2SP113TW02 must also order items 8 and 9
	CK099	Electronic Coin Drop Kit	Includes items 1-3 and 5-7; Australia, New Zealand, Hong Kong and South Korea coins
	CK100	Electronic Coin Drop Kit	Includes items 1-3 and 5-7; Euro and Great Britain coins
	CK101	Electronic Coin Drop Kit	Includes items 1-3 and 5-7; Euro, Denmark and Norway coins
	CK103	Electronic Coin Drop Kit	Includes items 1-3 and 5-7; Euro, Lithuania and Latvia coins
	CK106	Electronic Coin Drop Kit	Includes items 1-3 and 5-7; Malaysia, China, Russia and Singapore coins
	CK108	Electronic Coin Drop Kit	Includes items 1-3 and 5-7; South African 1, 2, 5 rand coins
	CK109	Electronic Coin Drop Kit	Includes items 1-3 and 5-7; Euro coins
	CK110	Electronic Coin Drop Kit	Includes items 1-3 and 5-7; Mexico, Ecuador and United States coins
	CK113	Electronic Coin Drop Kit	Includes items 1-3 and 5-7; Japan and Taiwan coins
	CK120	Electronic Coin Drop Kit	Includes items 1-3 and 5-7; Chile coins
	CK121	Electronic Coin Drop Kit	Includes items 1-3 and 5-7; Singapore coins
5	70294105P	Electronic Coin Drop Assembly	Australia, New Zealand, Hong Kong and South Korea coins
	70294103P	Electronic Coin Drop Assembly	Euro and Great Britain coins
	70294104	Electronic Coin Drop Assembly	Euro, Denmark and Norway coins
	70294107	Electronic Coin Drop Assembly	Euro, Lithuania and Latvia coins
	70294109	Electronic Coin Drop Assembly	Malaysia, China, Russia and Singapore coins
	70294110	Electronic Coin Drop Assembly	South African 1, 2, 5 rand coins
	70294111	Electronic Coin Drop Assembly	Euro coins
	70294106	Electronic Coin Drop Assembly	Mexico, Ecuador and United States coins
	70294120	Electronic Coin Drop Assembly	Chile coins
	70294121	Electronic Coin Drop Assembly	Singapore coins
6	201216	Nut	
7	202871	Dual Coin Harness Assembly	

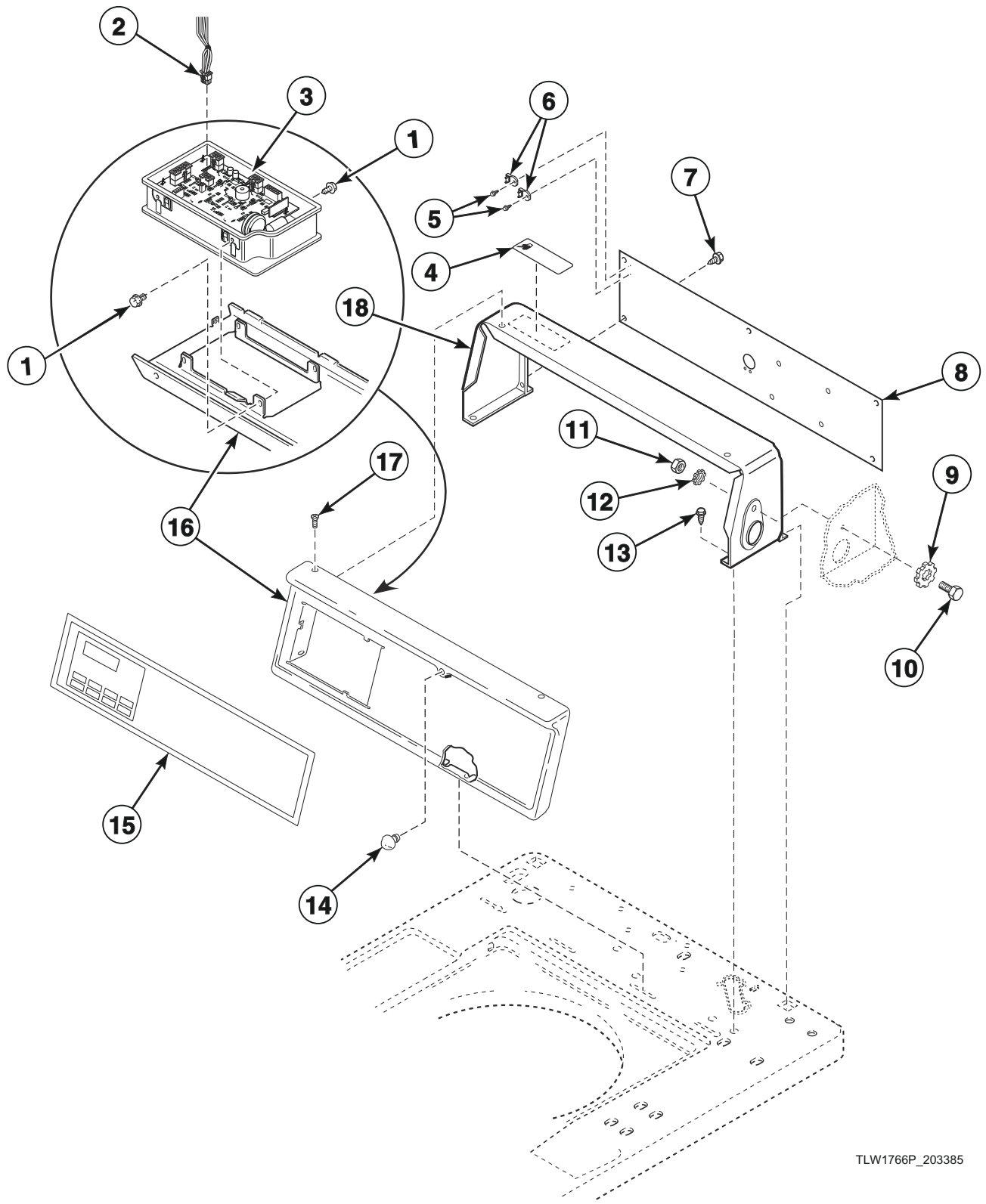


# Control Panel, Control Hood and Controls (Drawing 1 of 3)

REF	PART NO.	DESCRIPTION	COMMENTS
	202828	Options Label	English
	202829	Options Label	Spanish
	NK201	Network Retrofit Kit	Wired
	NK220	Network Controller Kit	Wired
	NK301	Wireless Network Kit	
	NK320	Ethernet Gateway Kit	Wireless
	NK330	USB Gateway Kit	Wireless
<b>1</b>	501524	Screw	
<b>2</b>	511478	Central Pay Harness	
<b>3</b>	202727	Control Assembly	
<b>4</b>	37075Q	Control Hood	Model SWNNC2SP113TQ01
	37075W	Control Hood	All other models
<b>5</b>	23222	Screw	
<b>6</b>	37020	Rear Hood Panel	
<b>7</b>	M400017	Washer	
<b>8</b>	02916	Screw	
<b>9</b>	52566	Nut	
<b>10</b>	02431	Washer	
<b>11</b>	501086	Screw	
<b>12</b>	202469	Control Panel Bumper	
	M400795	Bumper	Extra thick
<b>13</b>	203076	Control Overlay	Models HWNNE2AP113CW01, HWNNE2HP113CW01, HWNNE2SP113CW01, HWNNX2HP113CW01, HWNNX2SP113CW01 and HWNNX2SP123DW01
	202952	Control Overlay	All other models
<b>14</b>	202309	Control Sticker Overlay	French/English; Models HWNNE2AP113CW01, HWNNE2HP113CW01, HWNNE2SP113CW01, HWNNX2HP113CW01 and HWNNX2SP113CW01
<b>15</b>	210042Q	Control Panel Assembly	Model SWNNC2SP113TQ01
	210042W	Control Panel Assembly	All other models
<b>16</b>	52864	Screw	Phillips head
	35528	Screw	Torx head

# Control Panel, Control Hood and Controls (Drawing 2 of 3)

Models HWNNX2SP123DW01, HWNNX2SP543DW01, SWNNX2SP123DW01, SWNNX2SP303AW01 and SWNNX2SP543DW01



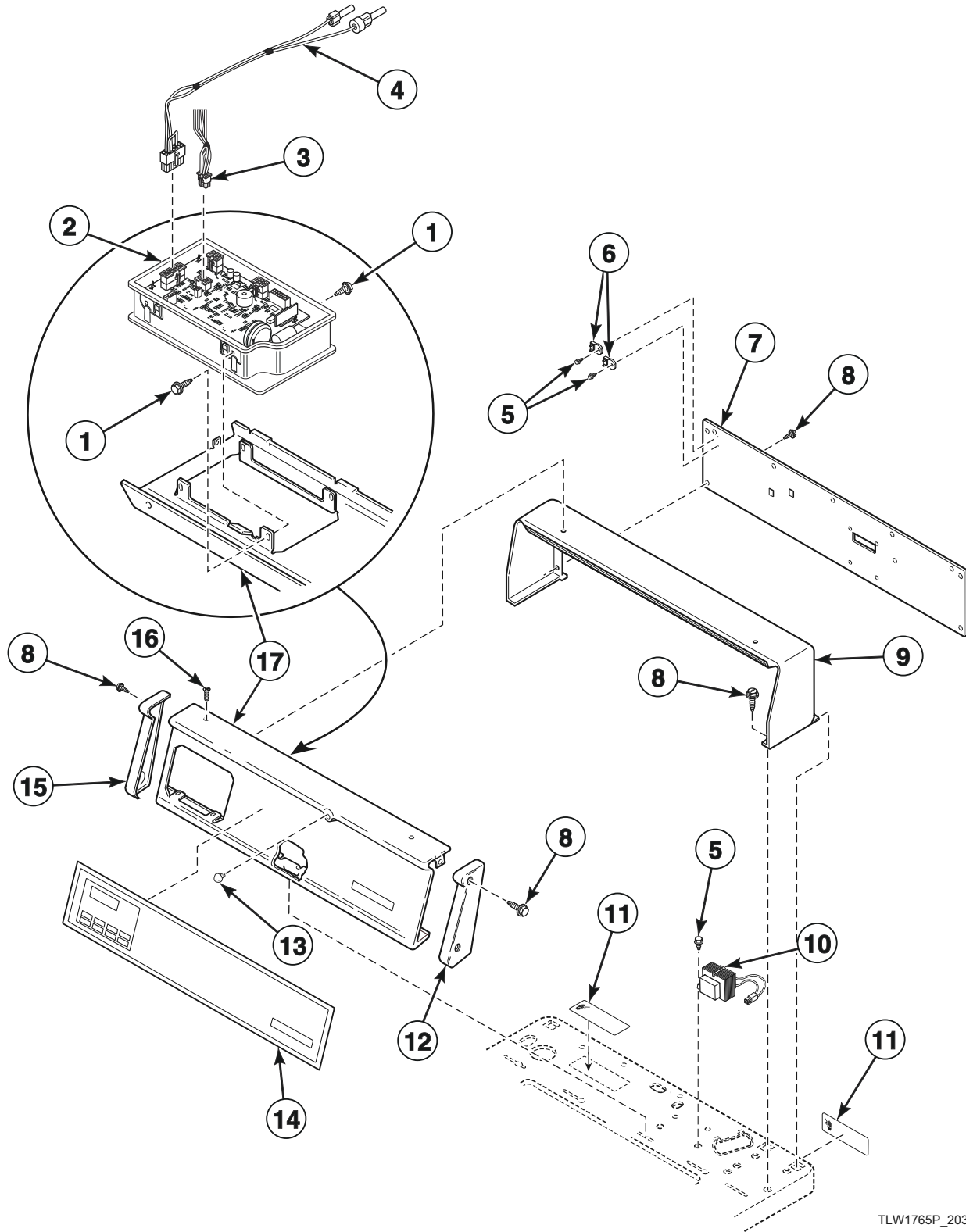
TLW1766P\_203385

## Control Panel, Control Hood and Controls (Drawing 2 of 3)

REF	PART NO.	DESCRIPTION	COMMENTS
	202829	Options Label	Spanish; Model SWNNX2SP303AW01
	NK201	Network Retrofit Kit	Wired; Model SWNNX2SP303AW01
	NK220	Network Controller Kit	Wired; Model SWNNX2SP303AW01
	NK301	Wireless Network Kit	
	NK320	Ethernet Gateway Kit	Wireless
	NK330	USB Gateway Kit	Wireless
<b>1</b>	501524	Screw	
<b>2</b>	805427	Central Pay Harness	
<b>3</b>	202727	Control Assembly	
<b>4</b>	F8211201	Electrical Shock Label	
<b>5</b>	503661	Screw	
<b>6</b>	210100	Resistor	Models HWNNX2SP543DW01, SWNNX2SP303AW01 and SWNNX2SP543DW01
<b>7</b>	23222	Screw	
<b>8</b>	202465	Hood Back Panel	
<b>9</b>	M400017	Washer	
<b>10</b>	02916	Screw	
<b>11</b>	52566	Nut	
<b>12</b>	02431	Washer	
<b>13</b>	501086	Screw	
<b>14</b>	202469	Control Panel Bumper	
	M400795	Bumper	Extra thick
<b>15</b>	203076	Control Overlay	Models HWNNX2SP123DW01 and HWNNX2SP543DW01
	202952	Control Overlay	All other models
<b>16</b>	210042W	Control Panel Assembly	
<b>17</b>	52864	Screw	Phillips head
	35528	Screw	Torx head
<b>18</b>	37075W	Control Hood	

# Control Panel, Control Hood and Controls (Drawing 3 of 3)

Models HWNNY2HP113CW01, HWNNY2SP113CW01, SWNNY2AP113TW01, SWNNY2HP113TW01,  
SWNNY2PP113TW01, SWNNY2SP113TW01, SWNNY2SP303NW22, SWNNY2SP303UW01,  
SWNXY2AP113TW01 and SWNXY2HP113TW01



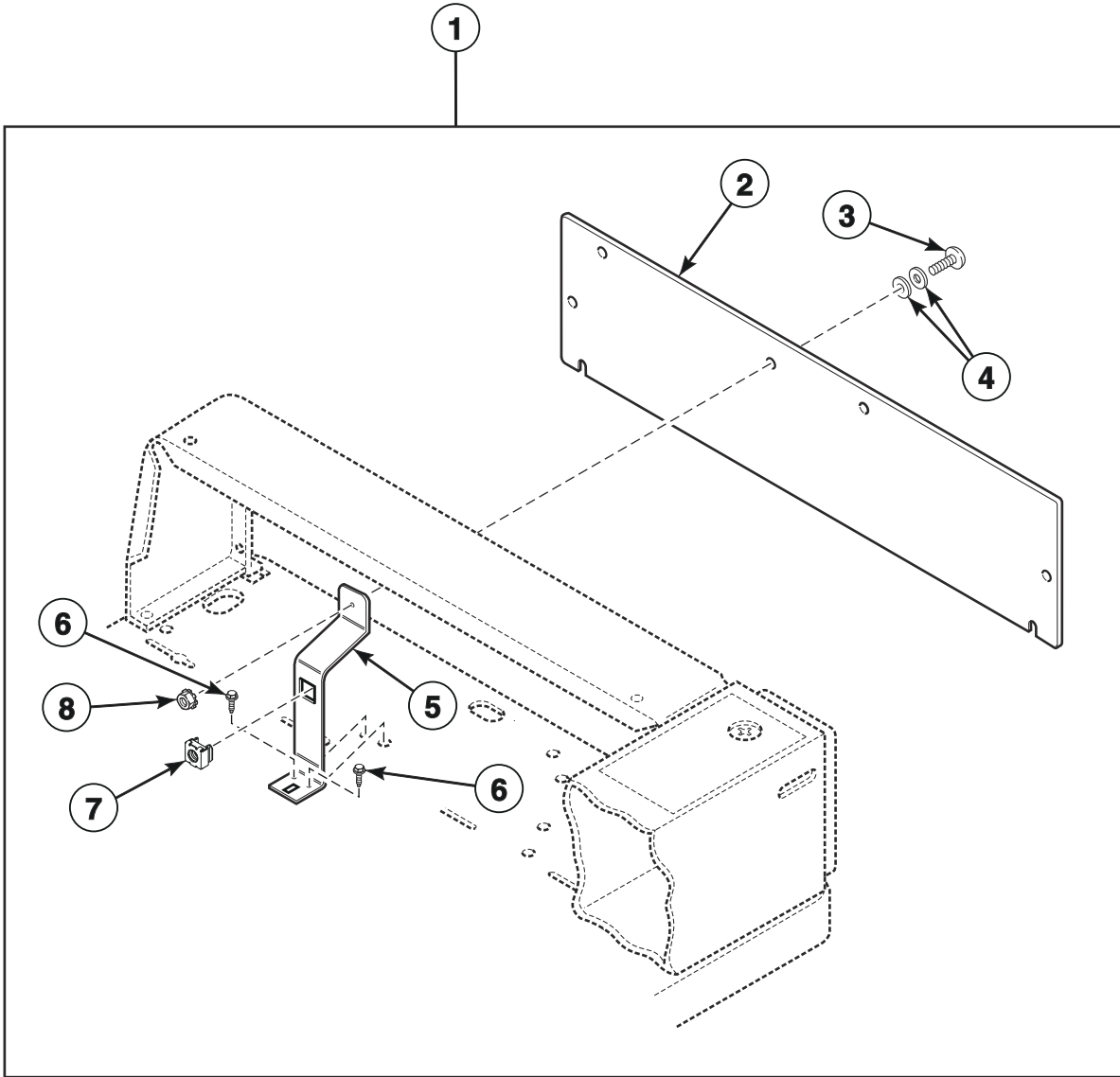
TLW1765P\_203385

## Control Panel, Control Hood and Controls (Drawing 3 of 3)

REF	PART NO.	DESCRIPTION	COMMENTS
	202829	Options Label	Spanish
	NK201	Network Retrofit Kit	Wired
	NK220	Network Controller Kit	Wired
	NK301	Wireless Network Kit	
	NK320	Ethernet Gateway Kit	Wireless
	NK330	USB Gateway Kit	Wireless
<b>1</b>	501524	Screw	
<b>2</b>	202727	Control Assembly	
<b>3</b>	805427	Central Pay Harness	
<b>4</b>	202869	Wiring Harness Assembly	
<b>5</b>	503661	Screw	Model SWNNY2SP303NW22
<b>6</b>	210100	Resistor	Model SWNNY2SP303NW22
<b>7</b>	210143	Rear Panel	
<b>8</b>	501086	Screw	
<b>9</b>	210142W	Control Hood	
<b>10</b>	202757	Transformer	
<b>11</b>	500316	Warning Label	Models HWNNY2HP113CW01 and HWNNY2SP113CW01
	505281	Disconnect Power Warning Label	All other models
	803260	Warning Label	Icon
<b>12</b>	210108W	End Cap	Right
<b>13</b>	202469	Control Panel Bumper	
	M400795	Bumper	Extra thick
<b>14</b>	202973	Control Overlay	Model HWNNY2HP113CW01
	203245	Overlay	Model SWNNY2SP303UW01
	202951	Control Overlay	All other models
<b>15</b>	210109W	End Cap	Left
<b>16</b>	52864	Screw	
<b>17</b>	210137W	Control Panel Assembly	

# Control Hood Security Kit

Models HWNNE2AP113CW01, HWNNE2HP113CW01, HWNNE2SP113CW01, HWNNX2HP113CW01, HWNNX2SP113CW01, HWNNX2SP123DW01, HWNNX2SP543DW01, SWNNC2AP113TW01, SWNNC2AP113TW02, SWNNC2HP113TQ01, SWNNC2HP113TW01, SWNNC2HP113TW02, SWNNC2PP113TW01, SWNNC2PP113TW02, SWNNC2SP113TQ01, SWNNC2SP113TW01, SWNNC2SP113TW02, SWNNX2AP113TW02, SWNNX2HP113TW01, SWNNX2HP113TW02, SWNNX2PP113TW02, SWNNX2SP113JW01, SWNNX2SP113TW01, SWNNX2SP113TW02, SWNNX2SP123DW01, SWNNX2SP303AW01, SWNNX2SP543DW01, SWNNX2SP543NW23, SWNNX2SP543PW01, SWNNY2SP303UW01 and SWNWY2AP113TW01



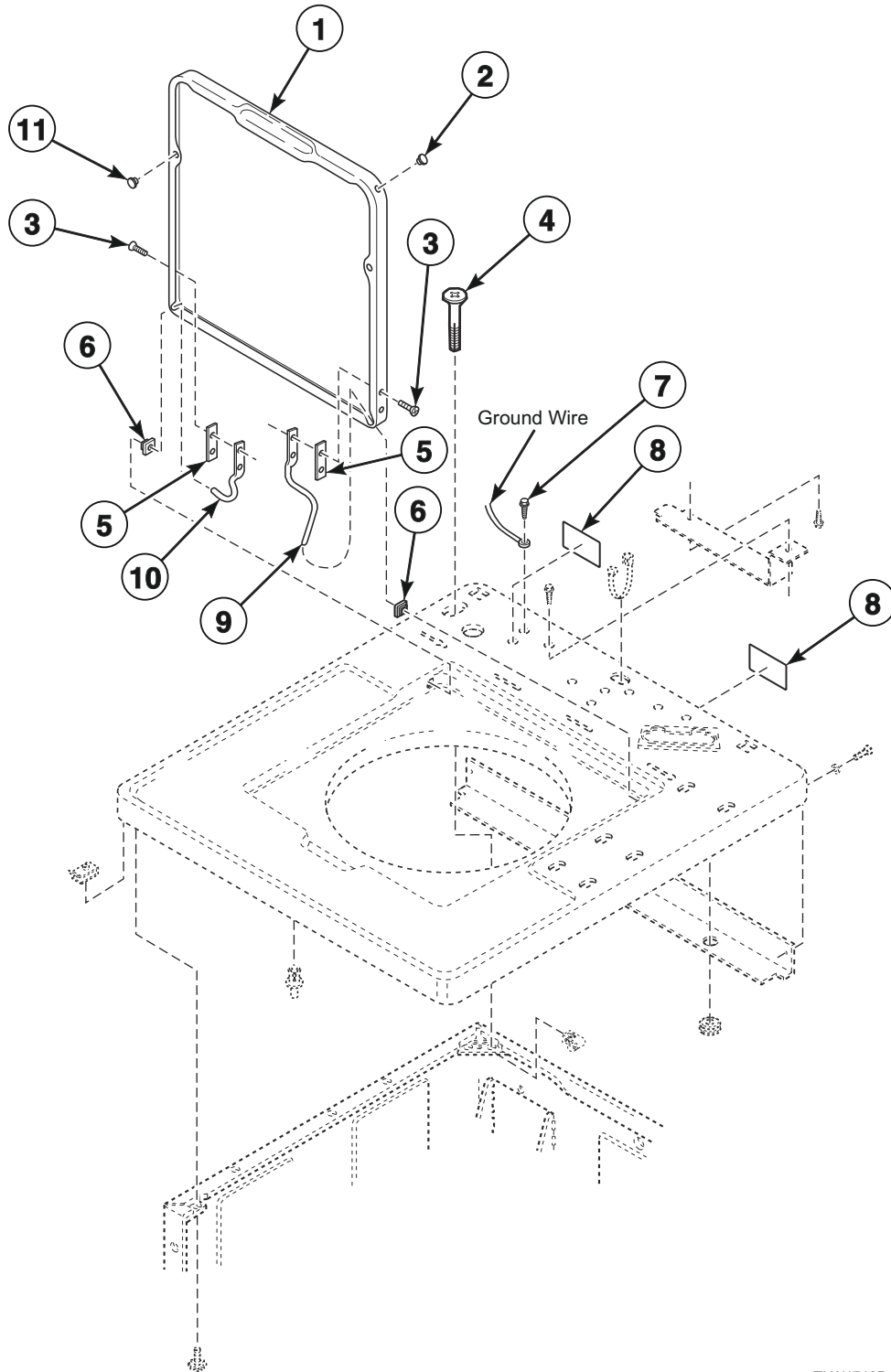
FLW963P\_203385



# Control Hood Security Kit

REF	PART NO.	DESCRIPTION	COMMENTS
1	904P3	Security Kit	Includes items 2-8
2	201919	Rear Panel	
3	32184	Bolt	
4	25100	Washer	
5	201918	Bracket	
6	503688	Screw	
7	30647	Nut	
8	23951	Nut	

# Lid

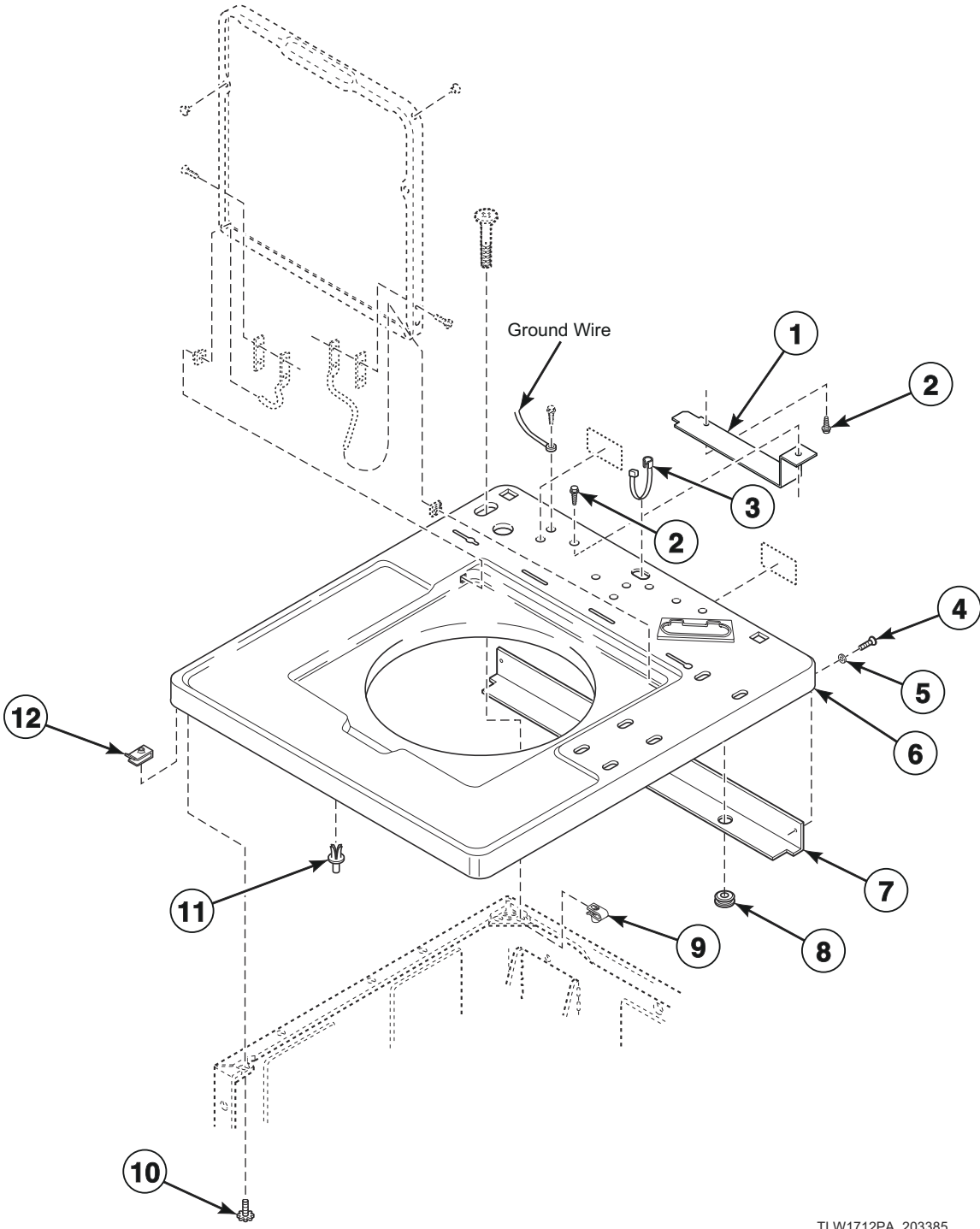


TLW1712P\_203385

# Lid

REF	PART NO.	DESCRIPTION	COMMENTS
1	200891W	Lid	
2	34153	Lid Plug	
3	34337	Screw	
4	503673	Screw	Optional; For added security
5	34338	Hinge Gasket	
6	33446	Bushing	
7	52909	Screw	
8	500316	Warning Label	Models HWNNE2AP113CW01, HWNNE2HP113CW01, HWNNE2SP113CW01, HWNNX2HP113CW01, HWNNX2SP113CW01, HWNNY2HP113CW01, HWNNY2SP113CW01 and SWNNX2SP113JW01
	F8211201	Electrical Shock Label	Models HWNNX2SP123DW01, HWNNX2SP543DW01, SWNNX2SP123DW01, SWNNX2SP543DW01, SWNNX2SP543PW01 and SWNNY2SP303UW01
	505281	Disconnect Power Warning Label	All other models
9	36437	Lid Hinge	Right
10	36438	Lid Hinge	Left
11	21685	Bumper	

# Cabinet Top

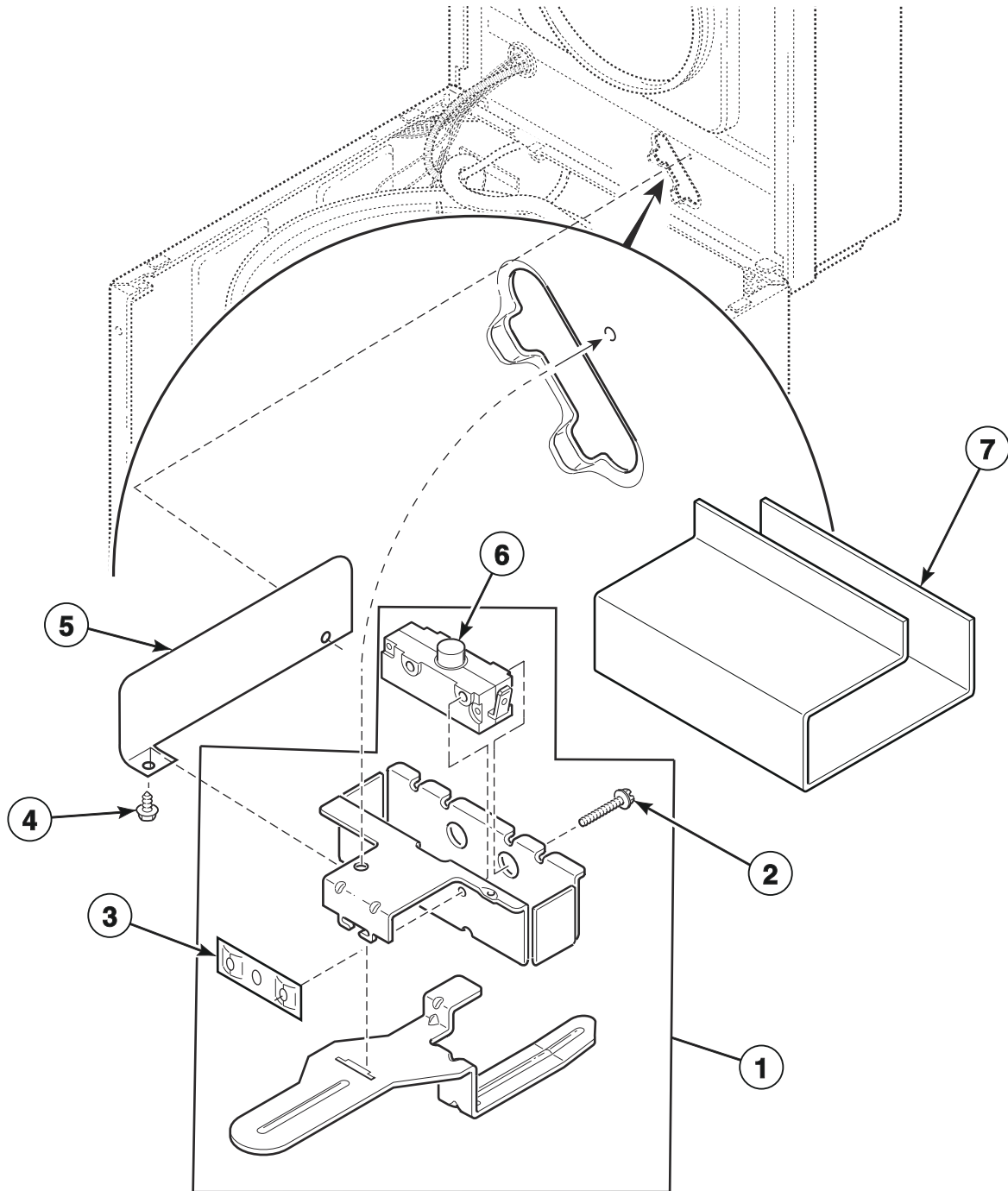


TLW1712PA\_203385

# Cabinet Top

REF	PART NO.	DESCRIPTION	COMMENTS
1	202083	Bracket	
2	23962	Screw	
3	38384	Strain Relief	
4	431287	Screw	Models SWNNX2SP303AW01 and SWNNY2SP303UW01
5	39249	Washer	Models SWNNX2SP303AW01 and SWNNY2SP303UW01
6	210173WP	Top Assembly	Models HWNNY2HP113CW01, HWNNY2SP113CW01, SWNNY2AP113TW01, SWNNY2HP113TW01, SWNNY2PP113TW01, SWNNY2SP113TW01, SWNNY2SP303NW22, SWNWy2AP113TW01 and SWNWy2HP113TW01
	39167QP	Top	Model SWNNC2SP113TQ01
	203316W	Top	Model SWNNY2SP303UW01
	39167WP	Top	All other models
7	39744	Top Shield	Models SWNNX2SP303AW01 and SWNNY2SP303UW01
8	80262	Grommet	Models SWNNX2SP303AW01 and SWNNY2SP303UW01
9	27222	Nut	Optional; For added security
10	23008	Screw	
11	56534	Support Barrel	
12	36020	Nut	

# Lid Switch

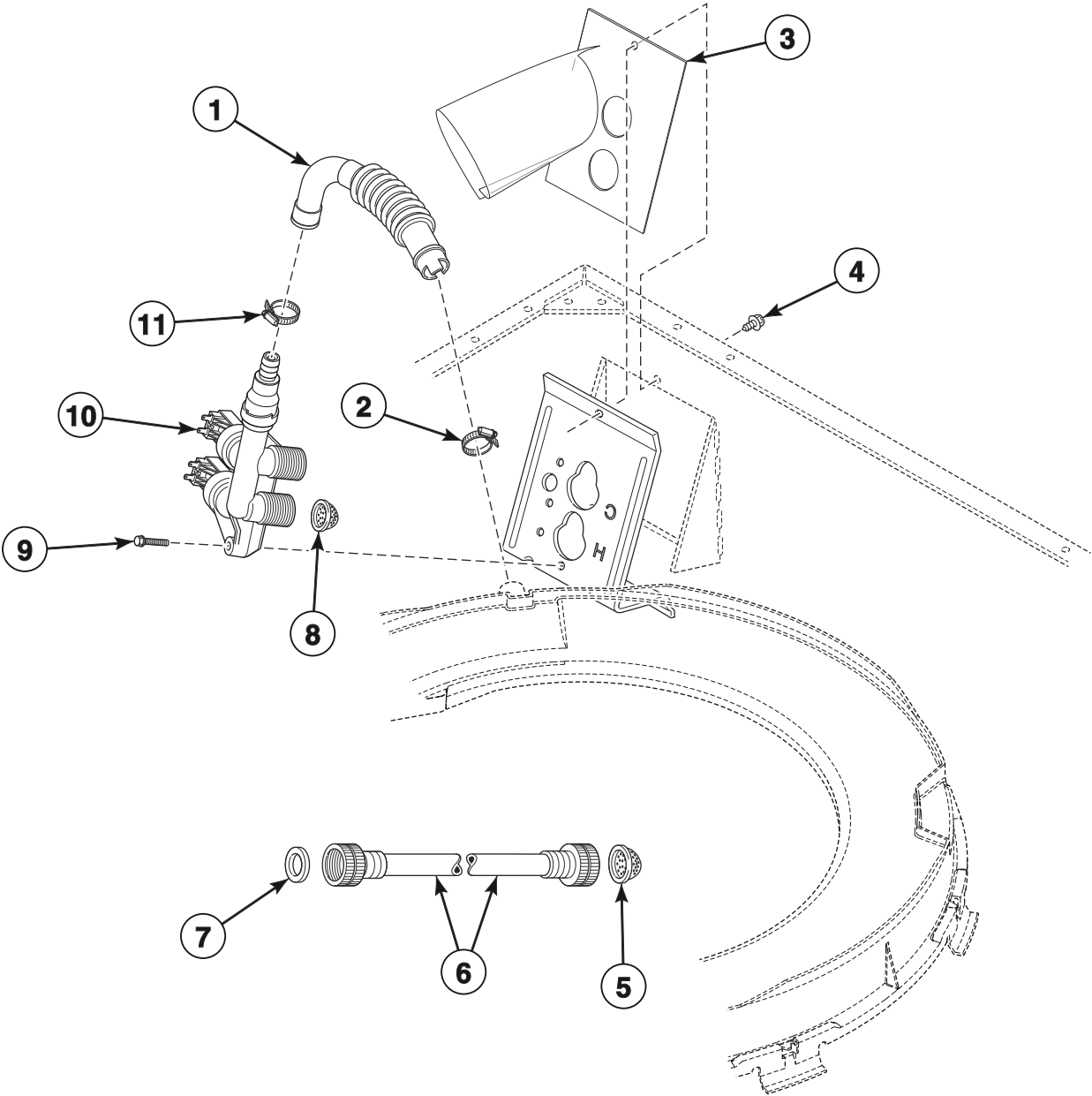


TLW1803P\_203385

# Lid Switch

REF	PART NO.	DESCRIPTION	COMMENTS
1	37631	Lid Switch Assembly	
2	M402574	Screw	
3	M400981	Nut	
4	23962	Screw	
5	202697	Lid Switch Shield	Models HWNNX2SP123DW01, HWNNX2SP543DW01, SWNNX2SP123DW01, SWNNX2SP303AW01 and SWNNX2SP543DW01
6	33445	Switch	
7	203136	Lid Switch Drip Shield	

# Fill Hose, Mixing Valve-to-Tub Cover Hose and Mixing Valve



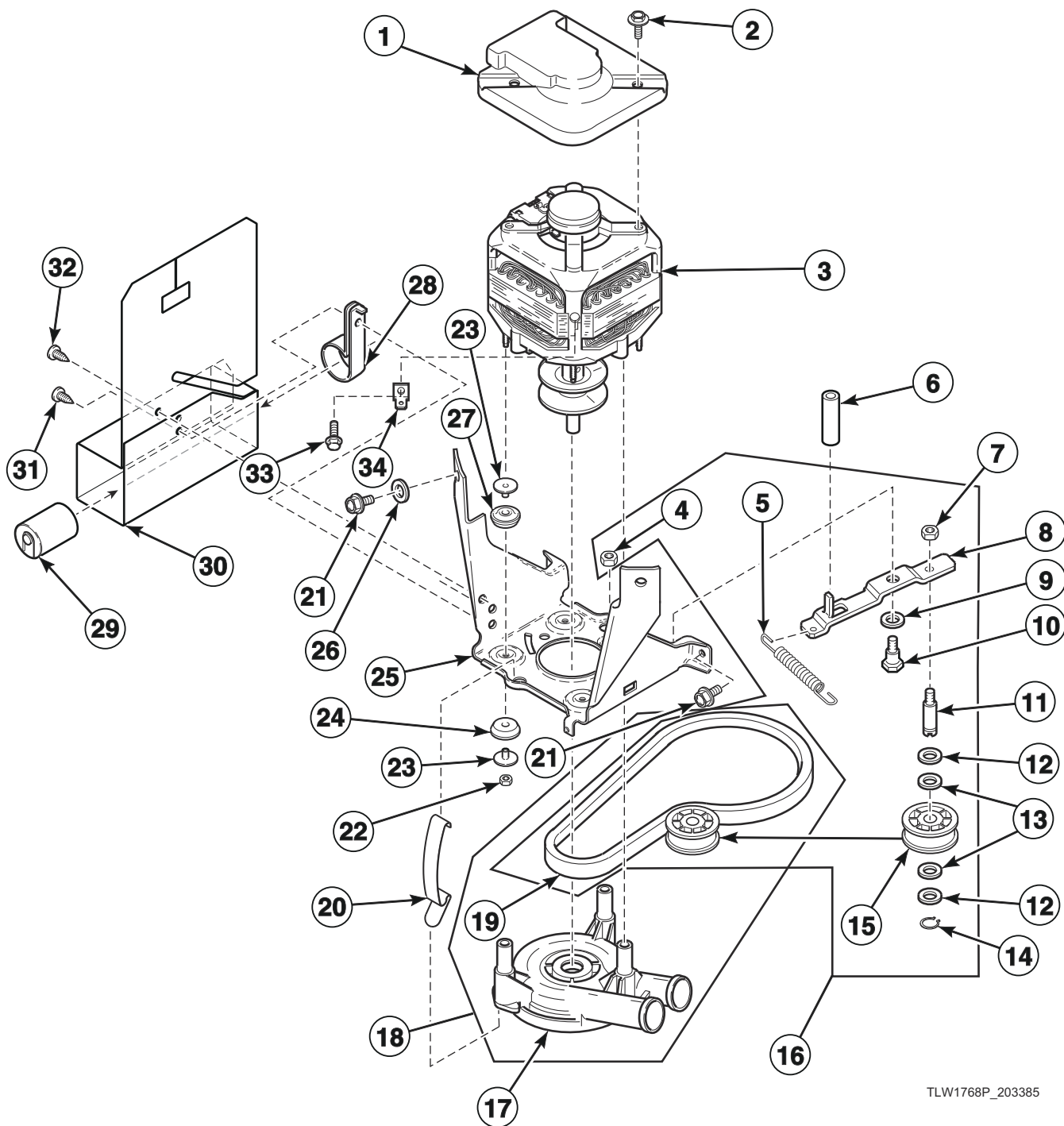
TLW1755P\_203385



# Fill Hose, Mixing Valve-to-Tub Cover Hose and Mixing Valve

REF	PART NO.	DESCRIPTION	COMMENTS
1	202472	Mixing Valve-to-Tub Cover Hose	
2	800803	Hose Clamp	
3	202899	Mixing Valve Shield	
4	33562	Screw	Models HWNNX2SP123DW01, HWNNX2SP543DW01, SWNNX2SP123DW01, SWNNX2SP303AW01, SWNNX2SP543DW01 and SWNNY2SP303UW01
5	803615	Washer	Filter screen
	802254	Washer	Flow restrictor; Water pressure reducer; Available for water pressure up to but not exceeding 120 psi
6	202800	Fill Hose	Models HWNNX2SP123DW01, HWNNX2SP543DW01, SWNNX2SP113JW01, SWNNX2SP123DW01, SWNNX2SP543PW01 and SWNNY2SP303UW01
	38349P	Fill Hose Kit	Models SWNNX2SP543NW23 and SWNNY2SP303NW22
	202800	Fill Hose	Models HWNNX2SP123DW01, HWNNX2SP543DW01, SWNNX2SP113JW01, SWNNX2SP123DW01, SWNNX2SP303AW01, SWNNX2SP543DW01, SWNNX2SP543PW01 and SWNNY2SP303UW01
	28097	Fill Hose	All other models
	20618	Fill Hose	10 feet; 2 U.S. standard thread hose couplings; All other models
	37380	Fill Hose	8 feet; 1 U.S. standard thread and 1 metric thread hose coupling; All other models
	37381	Fill Hose	10 feet; 1 U.S. standard thread and 1 metric thread hose coupling; All other models
7	20290	Washer	
8	24122	Mixing Valve Screen	
9	39397	Screw	
10	203145	Mixing Valve	Models HWNNX2SP543DW01, SWNNX2SP543DW01, SWNNX2SP543NW23 and SWNNY2SP303UW01
	203144	Mixing Valve	All other models
11	36801	Hose Clamp	

# Motor, Belt, Pump and Idler Assembly

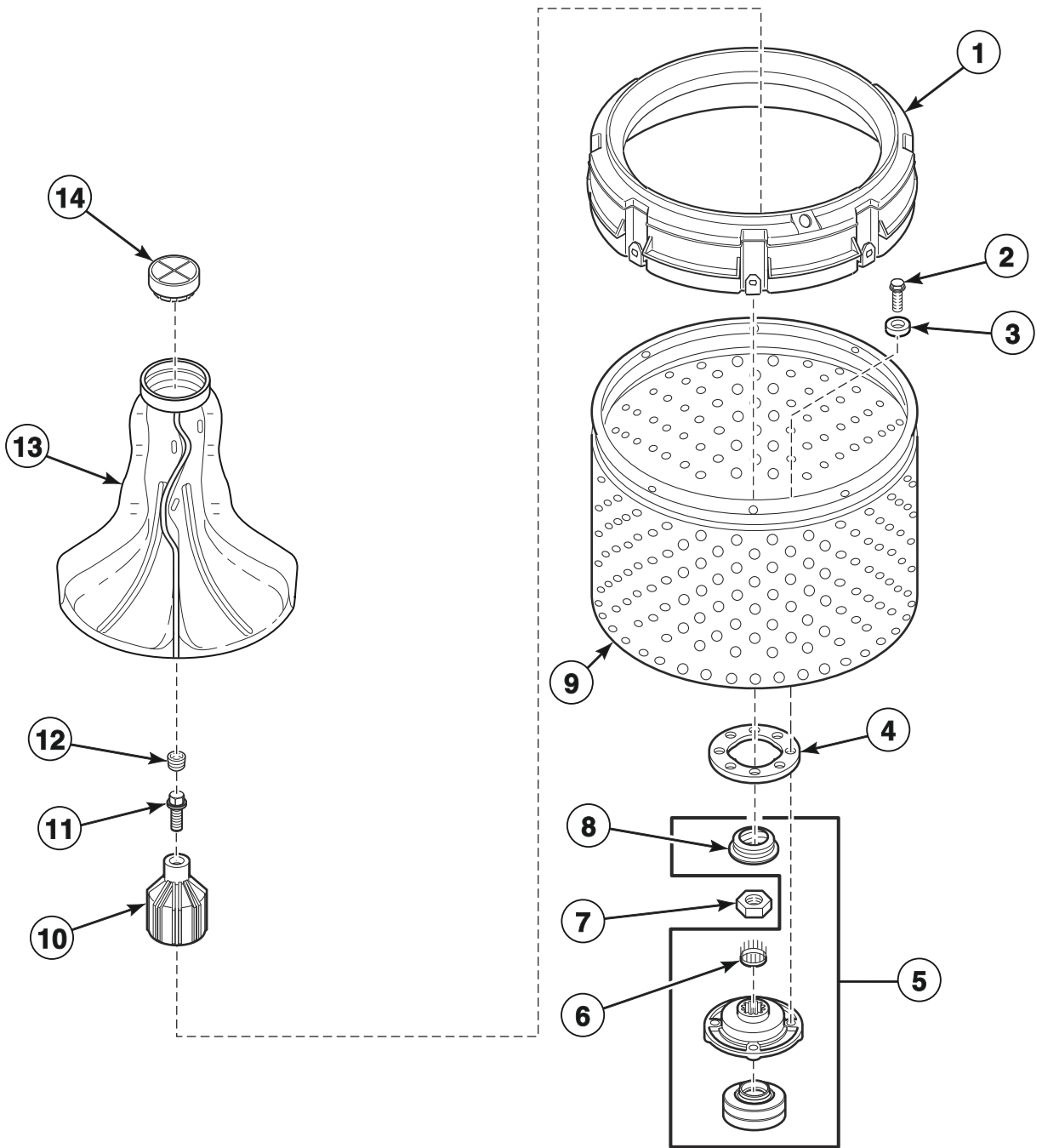


TLW1768P\_203385

# Motor, Belt, Pump and Idler Assembly

REF	PART NO.	DESCRIPTION	COMMENTS
	202972	Idler Lever and Belt Kit	Includes items 4, 5, 7-15 and 19 (200923 Agitate and Spin Belt)
1	34754	Motor Shield	
2	36639	Screw	
3	202544	Motor Assembly	220-240 Volt/50 Hertz; 2 speed; Models SWNNX2SP303AW01, SWNNY2SP303NW22 and SWNNY2SP303UW01
	202960	Motor Assembly	240 Volt/60 Hertz; 2 speed; Models HWNNX2SP543DW01, SWNNX2SP543DW01, SWNNX2SP543NW23 and SWNNX2SP543PW01
	202971	Motor Assembly	127 Volt/60 Hertz; 2 speed; Models HWNNX2SP123DW01 and SWNNX2SP123DW01
	38034P	Motor Kit	115 Volt/60 Hertz; 2 speed; All other models
4	52566	Nut	
5	202032	Idler Lever Spring	
6	202333	Tube	Models SWNNX2SP303AW01, SWNNY2SP303NW22 and SWNNY2SP303UW01
7	28803	Nut	
8	38011	Idler Lever	
9	81392	Washer	
10	27229	Screw	
11	210186	Idler Shaft	Included in item 16
12	504082	Washer	
13	52549	Washer	Nylatron
14	23748	Retaining Ring	
15	38225P	Idler Pulley	
16	959P3	Idler Lever Kit	Includes items 4-6, 8-15 (201189 Idler Lever Spring) and 19 (38174 Belt)
17	201566P	Pump	
	201442P	Pump Assembly	Heavy duty
18	RB150003	Belt and Pump Kit	Includes items 17 and 19 (38174 Belt)
19	200923	Agitate and Spin Belt	Models SWNNX2SP303AW01, SWNNY2SP303NW22 and SWNNY2SP303UW01
	38174	Agitate and Spin Belt	All other models
20	210202	Spring Clip	
21	35369	Screw	
22	685846	Nut	Models SWNNX2SP303AW01, SWNNY2SP303NW22 and SWNNY2SP303UW01
	35423	Nut	All other models
23	38325	Isolator Post	
24	38396	Motor Mount	
25	200941	Motor Mount Bracket	
26	37772	Washer	
27	38395	Motor Mount	
28	37535	Capacitor Clamp	All models except HWNNX2SP543DW01 and SWNNX2SP543DW01
29	203140	Capacitor	Models SWNNX2SP303AW01 and SWNNY2SP303UW01
	39259P	Capacitor and Clamp Kit	Models SWNNX2SP543NW23 and SWNNY2SP303NW22
	37377	Capacitor	All models except HWNNX2SP543DW01 and SWNNX2SP543DW01
30	203053	Motor Drip Shield	Use with 38034P Motor Kit
31	52909	Screw	
32	31645	Screw	Use with 38034P Motor Kit; All models except HWNNX2SP543DW01 and SWNNX2SP543DW01
33	20530	Screw	Models SWNNX2SP303AW01, SWNNY2SP303NW22 and SWNNY2SP303UW01
34	00177	Male Tab Terminal	Models SWNNX2SP303AW01, SWNNY2SP303NW22 and SWNNY2SP303UW01

# Agitator, Drive Bell, Hub and Lip Seal Kit and Washtub

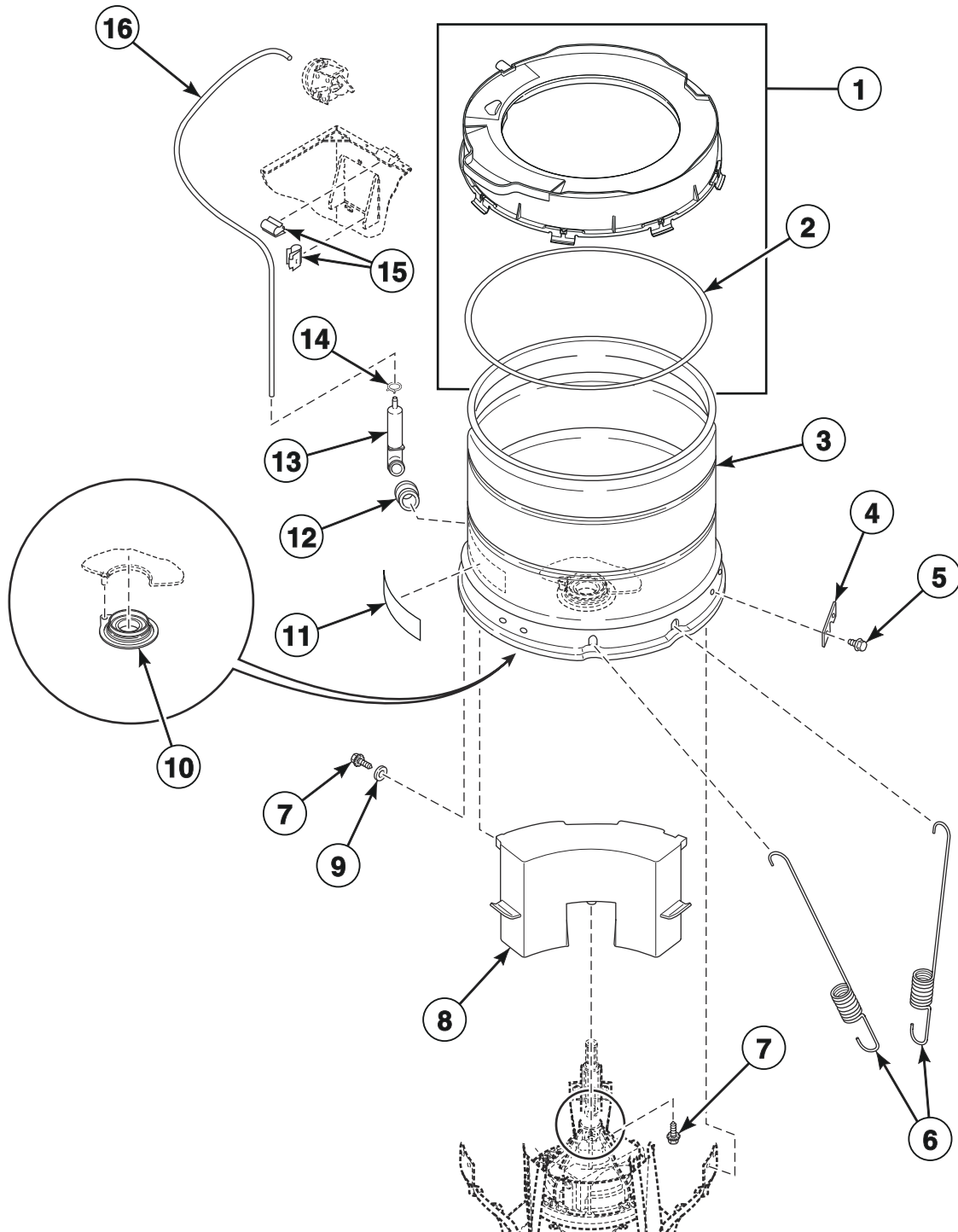


TLW1483P\_203385

# Agitator, Drive Bell, Hub and Lip Seal Kit and Washtub

REF	PART NO.	DESCRIPTION	COMMENTS
1	39837	Balance Ring Assembly	
2	27202	Screw	
3	28094	Washer	Rubber; Use with porcelain washtub
4	39122	Washtub Gasket	
5	766P3A	Hub and Lip Seal Kit	DO NOT use any sealant other than 200996P Sealant; Includes item 10 and installation tool
	200996P	Sealant	Use with hub and lip seal kit
6	29728	Spline Insert	
7	29220	Nut	
8	36425	Bell and Transmission Tube Seal	
	36765P	Grease	Use with bell and transmission tube seal
9	39250P	Tub Kit	Blue porcelain; Models SWNNC2PP113TW01, SWNNC2PP113TW02, SWNNX2PP113TW02 and SWNNY2PP113TW01
	39252P	Tub Assembly	Models HWNNE2AP113CW01, SWNNC2AP113TW01, SWNNC2AP113TW02, SWNNX2AP113TW02, SWNNY2AP113TW01 and SWNWy2AP113TW01
	39387P	Tub Assembly	Models HWNNE2HP113CW01, HWNNX2HP113CW01, HWNNY2HP113CW01, SWNNC2HP113TQ01, SWNNC2HP113TW01, SWNNC2HP113TW02, SWNNX2HP113TW01, SWNNX2HP113TW02, SWNNY2HP113TW01 and SWNWy2HP113TW01
	719P3	Washtub Kit	Stainless steel; All other models
10	39508P	Drive Bell and Seal Kit	Includes items 8, 11 and 12
11	39432	Screw	
12	36511	Bell Plug	
13	33174	Agitator	
14	36515	Agitator Cap	

# Outer Tub, Cover, Bearing and Seal Housing, Pressure Hose and Counterweight



TLW1804P\_203385

## Outer Tub, Cover, Bearing and Seal Housing, Pressure Hose and Counterweight

REF	PART NO.	DESCRIPTION	COMMENTS
1	202461	Tub Cover Assembly	
2	38359	Tub Cover Gasket	
3	200510P	Outer Tub Assembly	Models HWNNE2HP113CW01, HWNNX2HP113CW01, HWNNY2HP113CW01, SWNNC2AP113TW01, SWNNC2AP113TW02, SWNNC2HP113TQ01, SWNNC2HP113TW01, SWNNC2HP113TW02, SWNNX2AP113TW02, SWNNX2HP113TW01, SWNNX2HP113TW02, SWNNY2AP113TW01, SWNNY2HP113TW01, SWNWX2AP113TW01 and SWNWX2HP113TW01
	200511P	Outer Tub Assembly	All other models
4	27926	Leg Plate	
5	35369	Screw	
6	201521	Leg Spring	Marked with green paint. Use to replace the two rear springs closest to counterweight; Models HWNNX2SP123DW01, HWNNX2SP543DW01, SWNNX2SP123DW01, SWNNX2SP303AW01, SWNNX2SP543DW01, SWNNY2SP303NW22 and SWNNY2SP303UW01
	37576	Leg Spring	Models HWNNE2HP113CW01, HWNNX2HP113CW01, HWNNY2HP113CW01, SWNNC2AP113TW01, SWNNC2AP113TW02, SWNNC2HP113TQ01, SWNNC2HP113TW01, SWNNC2HP113TW02, SWNNX2AP113TW02, SWNNX2HP113TW01, SWNNX2HP113TW02, SWNNY2AP113TW01, SWNNY2HP113TW01 and SWNWX2HP113TW01
	37575	Leg Spring	All other models
7	39566	Screw	
8	38769	Counterweight Assembly	
9	39249	Washer	
10	766P3A	Hub and Lip Seal Kit	
	200996P	Sealant	Use with hub and lip seal kit
11	500314	Warning Label	Models HWNNE2AP113CW01, HWNNE2HP113CW01, HWNNE2SP113CW01, HWNNX2HP113CW01, HWNNX2SP113CW01, HWNNY2HP113CW01, HWNNY2SP113CW01, SWNNC2AP113TW01, SWNNC2AP113TW02, SWNNC2HP113TW01, SWNNC2HP113TW02, SWNNX2AP113TW02, SWNNX2HP113TW01, SWNNX2HP113TW02 and SWNNX2SP113JW01
	F8211301	Pinched Fingers Label	Models HWNNX2SP123DW01, HWNNX2SP543DW01, SWNNX2SP123DW01, SWNNX2SP543DW01, SWNNX2SP543PW01 and SWNNY2SP303UW01
	500049	Warning Label	All other models
12	29175	Grommet	
13	30907	Pressure Bulb	
14	39282	Hose Clamp	
15	36985	Hose Clip	
16	202700	Tubing	

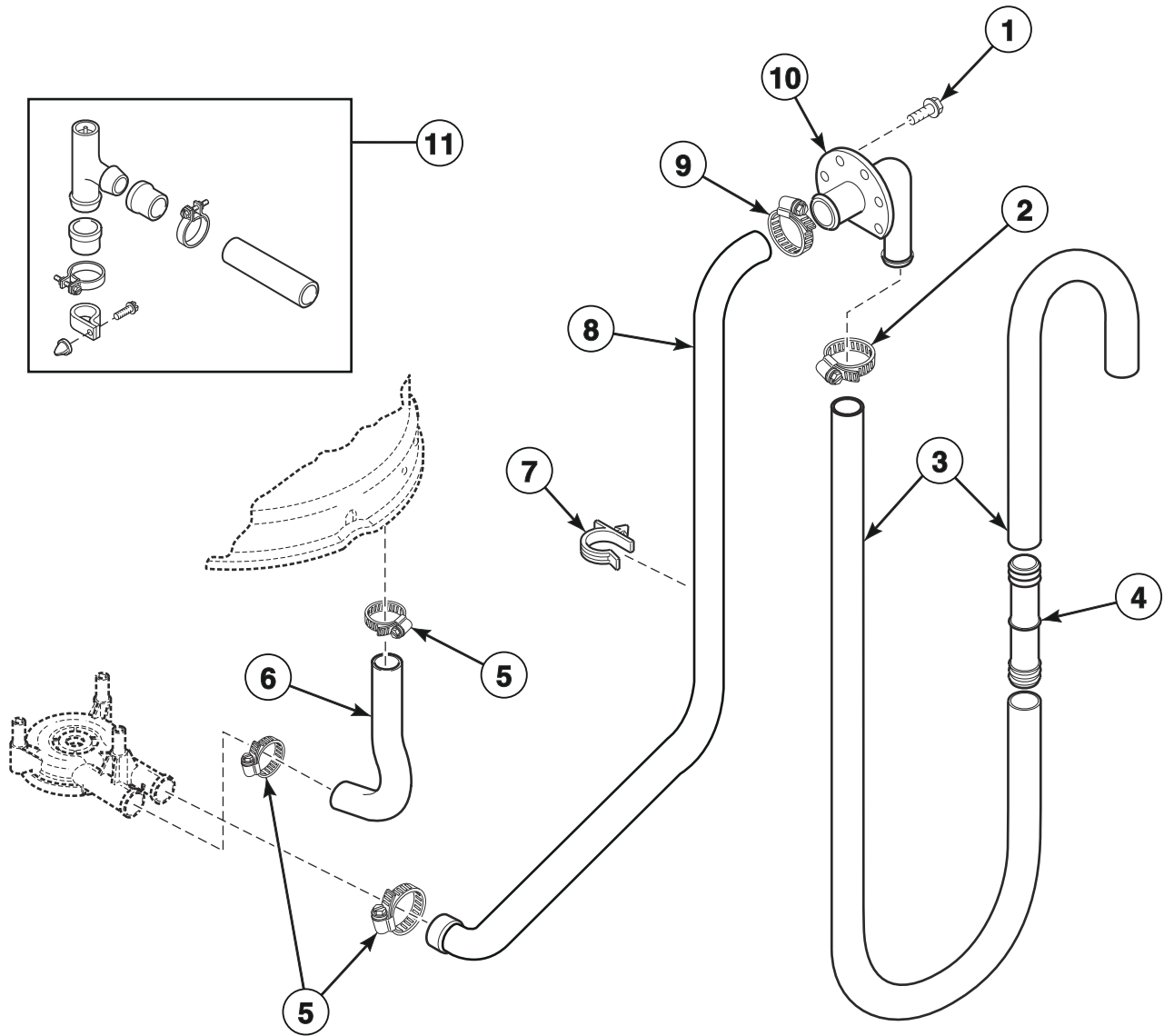




# Transmission Assembly

REF	PART NO.	DESCRIPTION	COMMENTS
	27604P	Anti-Seize Compound	Apply to the smooth area of both the upper and lower transmission shafts
	37577P	Transmission Sealant	Use between transmission case and cover
1	36570P	Output Shaft	
2	201212	Hub Spacer	
3	RB150004	Transmission Rebuild Kit	Includes 37577P Transmission Sealant
4	27243P	Transmission Oil	1 fill
5	26577	Gear and Stud Assembly	
6	201773	Screw	
7	26509	Washer	
8	37405	Drive Pinion	
9	38268P	Input Shaft	
10	32814	Screw	
11	37471	Transmission Cover Assembly	
12	37404P	Reduction Gear	
13	29260	Washer	
14	29273	Screw	
15	38165P	Transmission Assembly	
16	26493	Slide	
17	201664	Rack	
18	27197	Retaining Ring	
19	27003	Agitator Pinion	
20	35092	Washer	
21	38864	Gear Sleeve	
22	33223P	Transmission Case Assembly	

# Drain Hoses and Siphon Break Kit

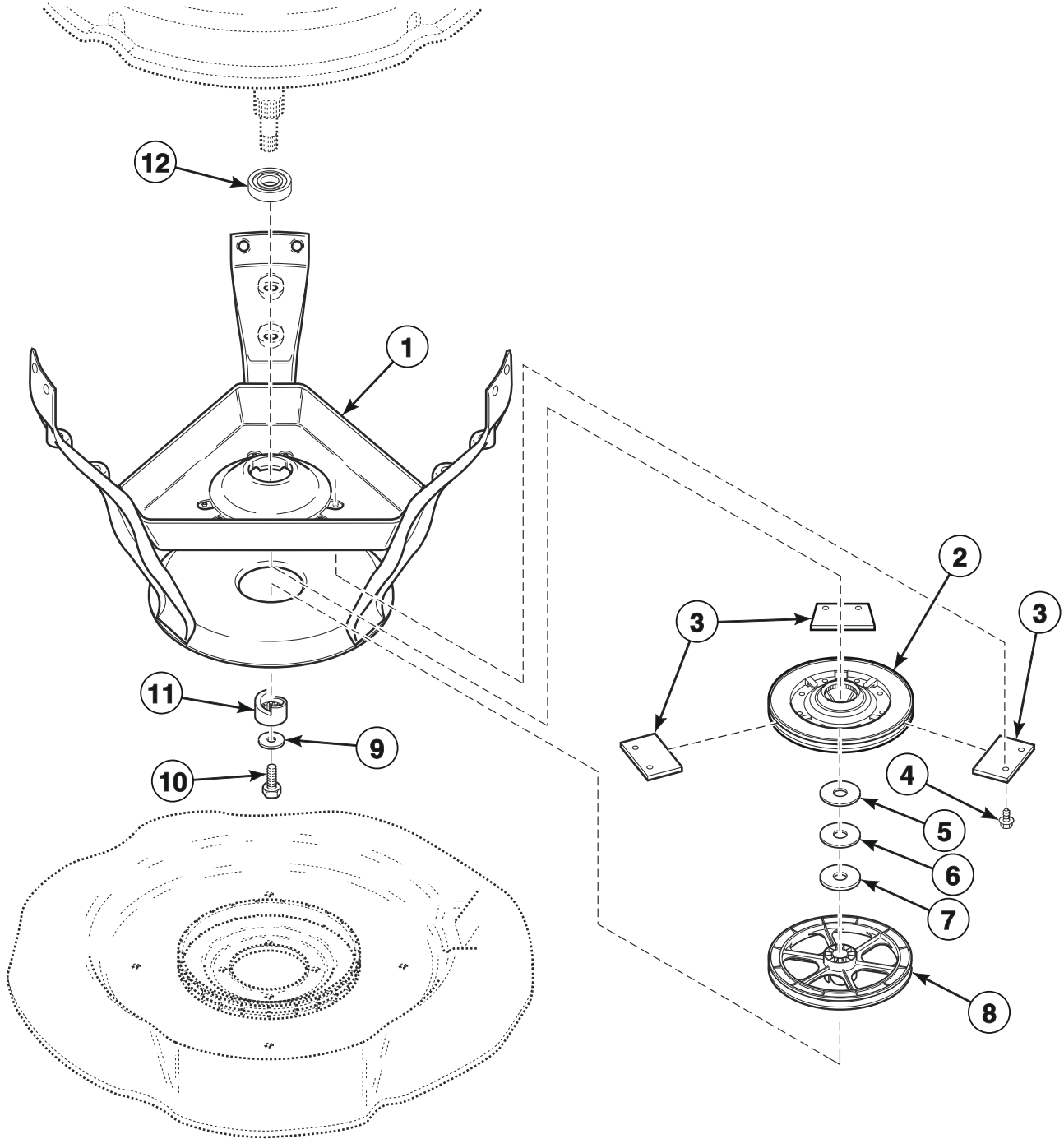


W354P\_203385

## Drain Hoses and Siphon Break Kit

REF	PART NO.	DESCRIPTION	COMMENTS
1	52909	Screw	
2	20211	Hose Clamp	
3	28293	Drain Hose	
4	25863	Hose Coupler	If drain hose must be shortened, cut hose between molded end and molded elbow; Use (1) 25863 Hose Coupler to splice hose
5	F200204	Hose Clamp	
6	38351	Tub-to-Pump Hose	
7	39177	Hose Retainer Clip	
8	38273	Pump-to-Drain Elbow Hose	
9	36801	Hose Clamp	
10	35766	Drain Hose Elbow	Models SWNNX2SP303AW01, SWNNX2SP543DW01, SWNNY2SP303NW22 and SWNNY2SP303UW01
	36990	Drain Hose Elbow	All other models
11	562P3	Siphon Break Kit	Siphon break kit must be installed in drain hose if drain receptacle is lower than cabinet top of washer

# Weldment and Bearing Assembly, Brake and Pulley

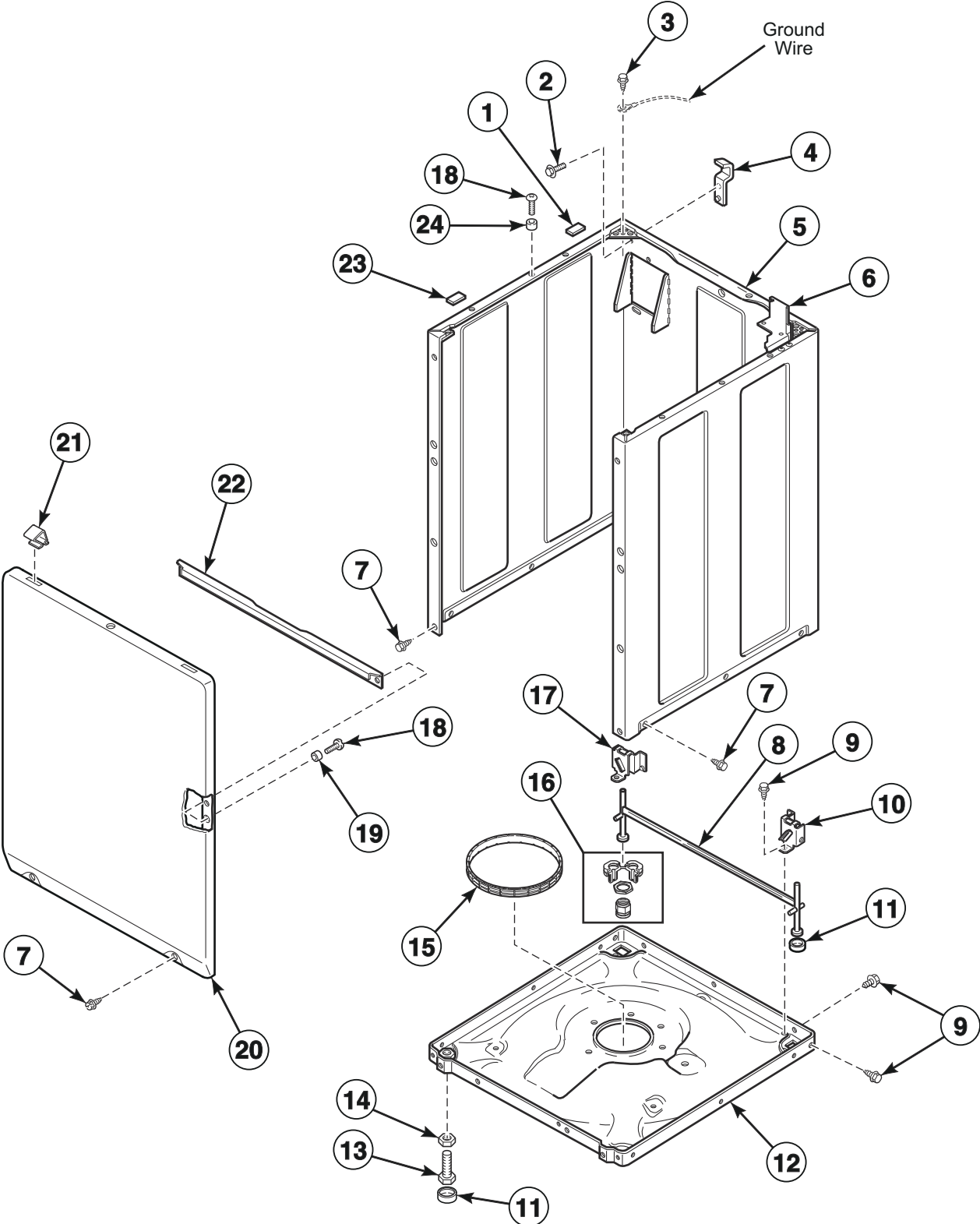


TLW1841P\_203385

## Weldment and Bearing Assembly, Brake and Pulley

REF	PART NO.	DESCRIPTION	COMMENTS
1	39254	Weldment and Bearing Assembly	Models HWNNE2AP113CW01, HWNNE2HP113CW01, HWNNX2HP113CW01, HWNNY2HP113CW01, SWNNC2AP113TW01, SWNNC2AP113TW02, SWNNC2HP113TQ01, SWNNC2HP113TW01, SWNNC2HP113TW02, SWNNX2AP113TW02, SWNNX2HP113TW01, SWNNX2HP113TW02, SWNNY2AP113TW01, SWNNY2HP113TW01, SWNWX2AP113TW01 and SWNWX2HP113TW01
	39253	Weldment and Bearing Assembly	All other models
2	38505P	Brake Kit	
3	735P3	Brake Pad Kit	Includes 3 pads
	26594P	Silicone Grease	Apply small amount to each new brake pad
4	39739	Screw	
5	35535	Washer	For machines experiencing squeaking durring agitaion
	26594P	Silicon Grease	Apply small amount to washer
6	35535	Washer	Thin
7	27015	Washer	Thick
8	202795	Pulley	
9	26509	Washer	
10	27220	Screw	
11	38008	Helix	
12	28944RP	Lower Bearing	

# Front Panel, Base Assembly and Cabinet Kit

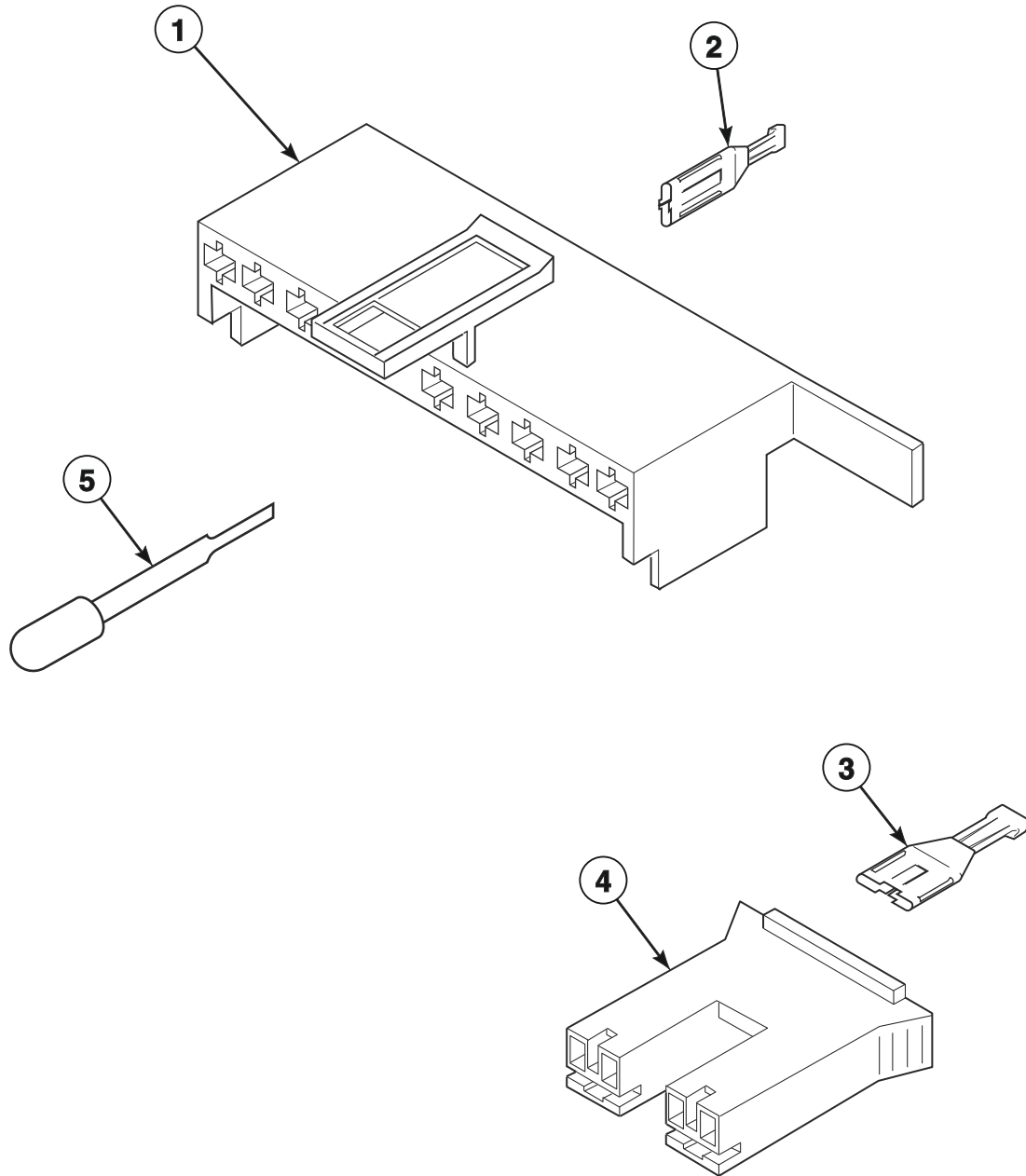


TLW1619P\_203385

## Front Panel, Base Assembly and Cabinet Kit

REF	PART NO.	DESCRIPTION	COMMENTS
	122P4P	Porcelain Touch-Up Paint	White
	370P4P	Porcelain Touch-Up Paint	Bisque
1	36226	Bumper Pad	
2	501524	Screw	
3	52909	Screw	
4	27103	Hold-Down Lug Hinge	
5	38612WP	Service Cabinet Kit	White
	38612QP	Service Cabinet Kit	Bisque
6	35867	Meter Case Mounting Bracket Assembly	
7	27196	Screw	Slotted hex head
	431287	Screw	Torx head
8	34443	Leg and Stabilizer Assembly	
9	35148	Screw	
10	36036	Bracket	Right
11	34318	Rubber Foot	
12	39788	Base Assembly	
13	34319	Leveling Leg	
14	21899	Nut	
15	37937	Friction Ring	
16	566P3	Adjustable Leg Extension Kit	Provides adjustment capabilities to rear self-leveling legs
17	36037	Bracket	Left
18	39733	Screw	
19	28102	Panel Locator	
20	38335WP	Front Panel	White
	38335QP	Front Panel	Bisque
21	35865	Hold-Down Clip	
22	35097	Front Panel Brace	
23	56128	Bumper Pad	
24	56079	Panel Locator	

# Mixing Valve and Motor Disconnect Blocks, Terminals and Terminal Extractor Tool



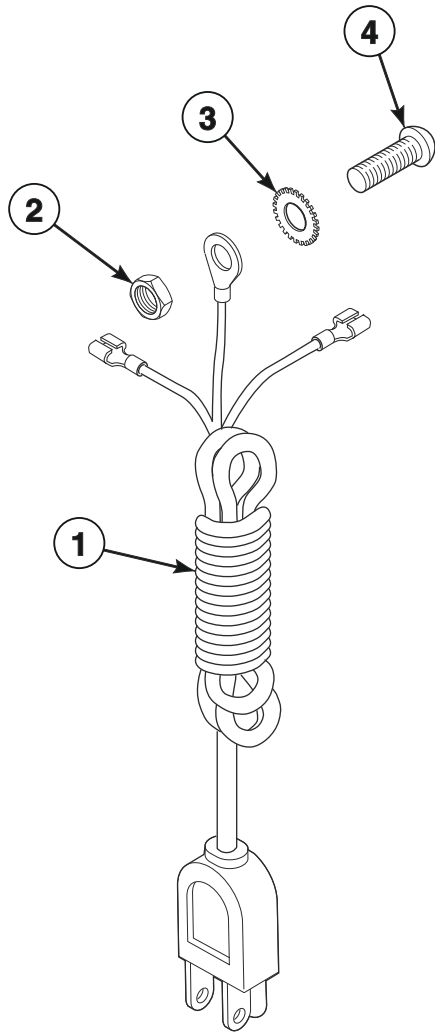
W134PZ3A\_203385



## Mixing Valve and Motor Disconnect Blocks, Terminals and Terminal Extractor Tool

REF	PART NO.	DESCRIPTION	COMMENTS
1	34677	10 Circuit Plug	Motor
2	00188	Female Terminal	For 1 or 2 wire application
3	00121	Female Spade Terminal	1/4 inch
4	F8556401	Plug	
	F8556402	Plug	
	F8556403	Plug	
	F8556404	Plug	
5	283P4	Terminal Extractor Tool	

# Lead-In Cord

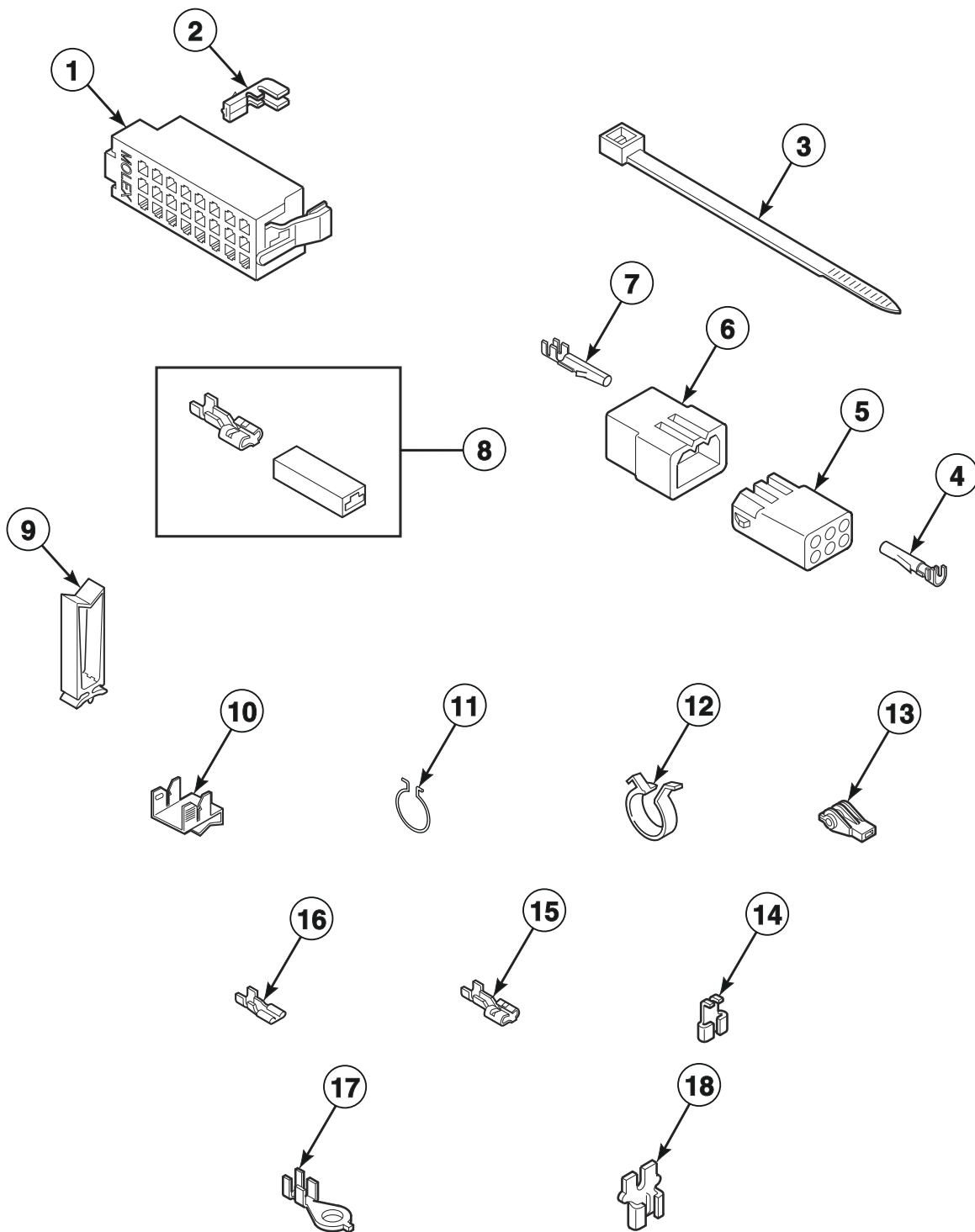


TLW1089P\_203385

# Lead-In Cord

REF	PART NO.	DESCRIPTION	COMMENTS
1	203106	Lead-In Cord Assembly	Models HWNNX2SP123DW01, HWNNX2SP543DW01, SWNNX2SP123DW01 and SWNNX2SP543DW01
	203309	Lead-In Cord	Model SWNNX2SP113JW01
	203120	Lead-In Cord	Model SWNNX2SP303AW01
	203344	Lead-In Cord	Model SWNNX2SP543NW23
	203315	Lead-In Cord	Model SWNNX2SP543PW01
	203412	Lead-In Cord	Model SWNNY2SP303NW22
	203208	Lead-In Cord	Model SWNNY2SP303UW01
	202777	Lead-In Cord	All other models
2	03673	Nut	
3	21735	Washer	
4	20267	Screw	

# Terminals

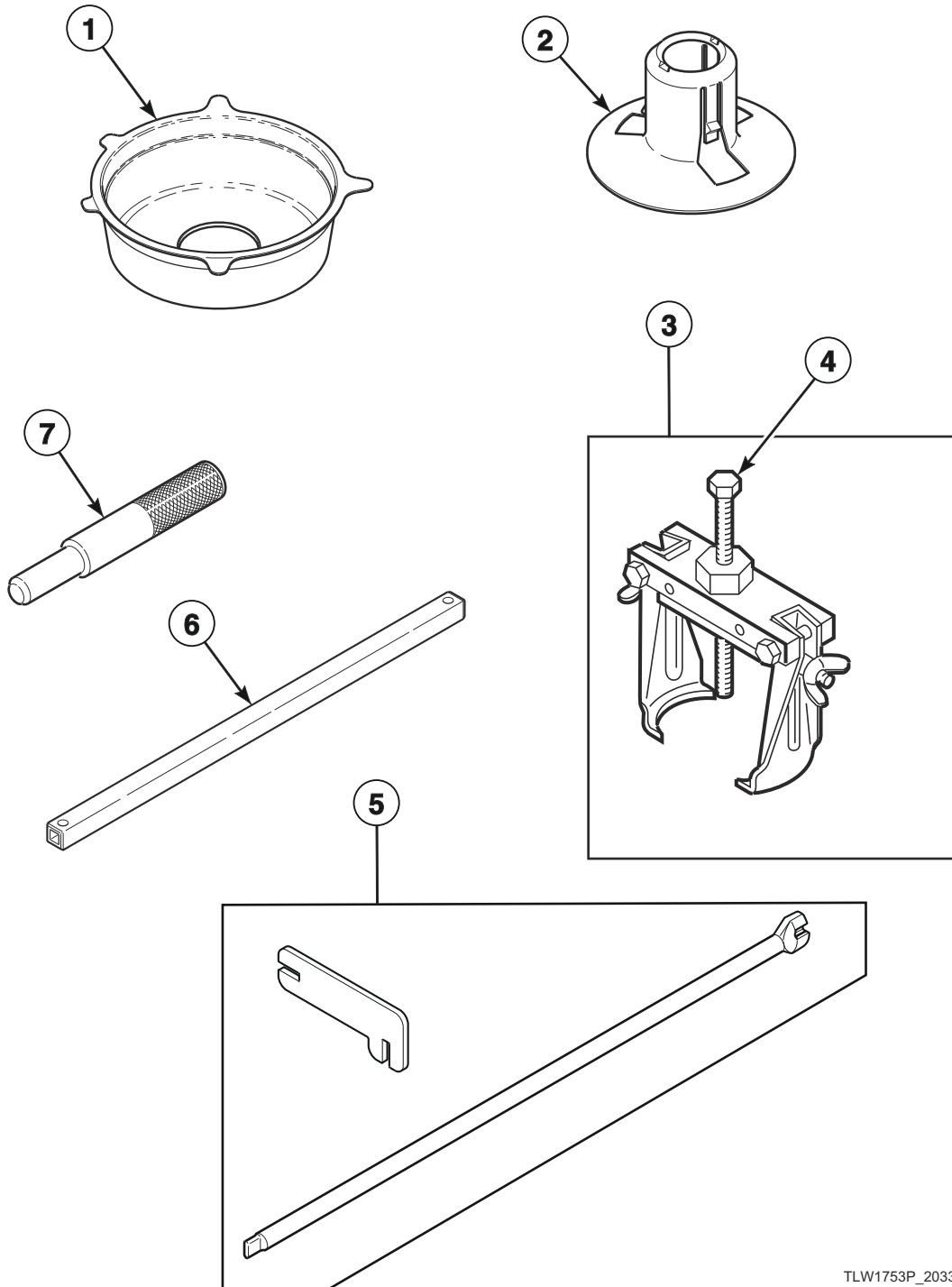


TLW1769P\_203385

# Terminals

REF	PART NO.	DESCRIPTION	COMMENTS
1	513933	7 Position Housing	
	32746	24 Position Housing	Right; Black
	34123	24 Position Housing	Left; White
2	00188	Female Terminal	Used for 1 or 2 wire application
	00568	Terminal	
3	55881	Harness Strap	4 inches
	804724	Cable Tie	Push-mount; 6.13 inches
4	00117	Female Pin Terminal	
	00574	Female Pin Terminal	
5	26708	6 Circuit Receptacle	
6	23041	6 Circuit Plug	
	513923	8 Circuit Plug	
	513927	8 Circuit Plug	
	513932	4 Circuit Plug	
	513938	2 Circuit Plug	
	513941	3 Circuit Plug	
7	00567	Male Pin Terminal	
	00577	TERMINAL tab	
8	00359	Insulated Female Spade Terminal	
9	70296701	Wire Tie	
10	00350	Grounding Clip	
	00569	TERMINAL grounding clip	
11	51291	Wire Clip	
12	504034	Wire Clip	
13	70210	Insulator	
14	00120	Female Flag Terminal	
15	00223	Female Spade Terminal	Large spade
16	00112	Female Spade Terminal	Small spade
17	00319	Ring Terminal	Small shank
18	F140562	Connector	

# Shipping Materials and Special Tools

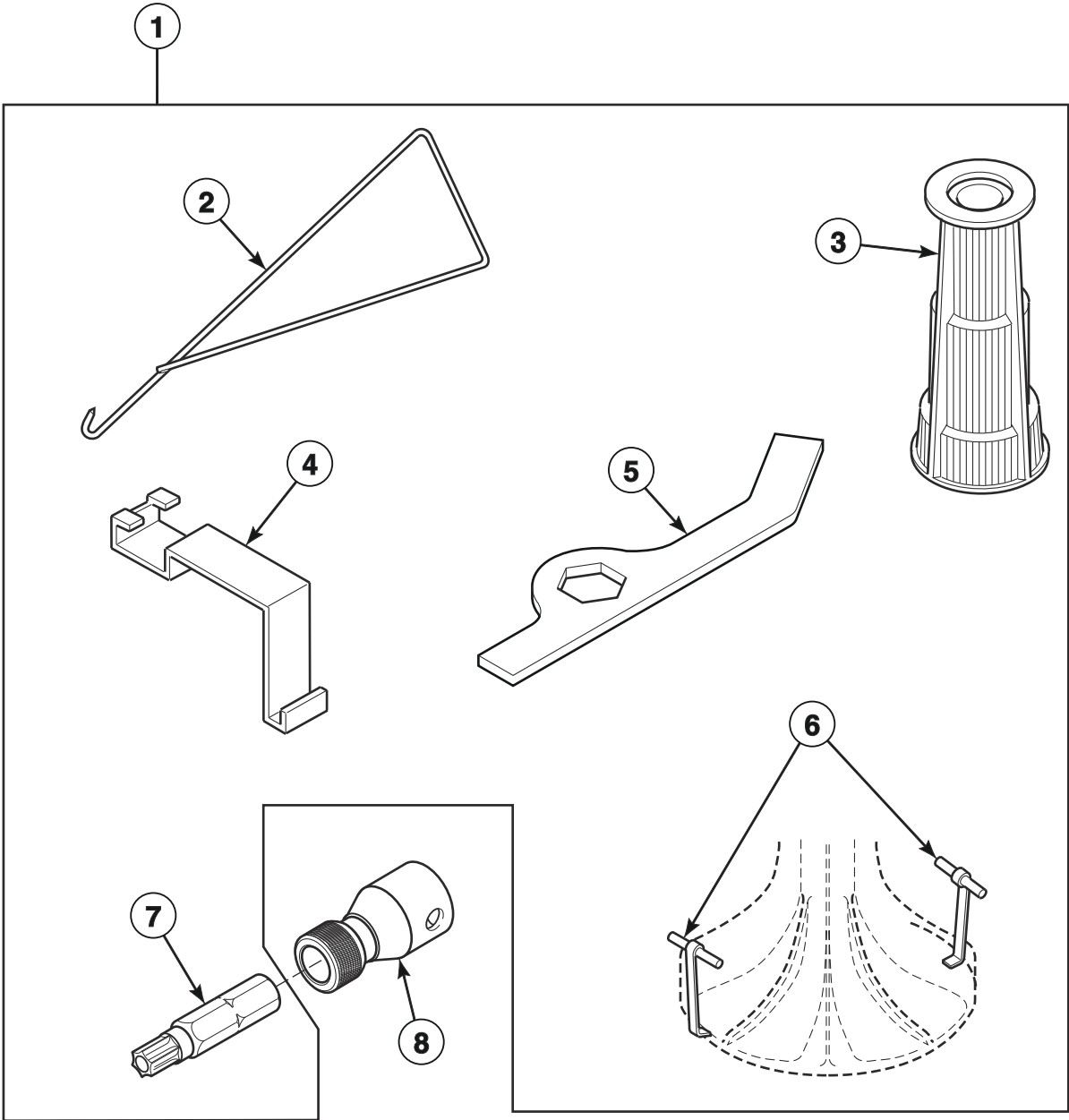


TLW1753P\_203385

## Shipping Materials and Special Tools

REF	PART NO.	DESCRIPTION	COMMENTS
1	200552	Shipping Brace	Install whenever moving washer; Remove before use
2	38149	Shipping Plug	Install whenever moving washer; Remove before use
3	294P4	Agitator Drive Bell Puller	For removal and installation of drive bell to transmission shaft
4	294P4B	Bolt	
5	CK096	Mounting Tool Kit	Use to install and remove electronic coin drops
6	310P4	Ratchet Extension Tool	1/4 inch; Use to install and remove non-electronic coin drops
7	305P4	Transmission Pin Tool	Use pin tools in place of dowel pins when reassembling transmission cover and case; 2 required

# Special Tools



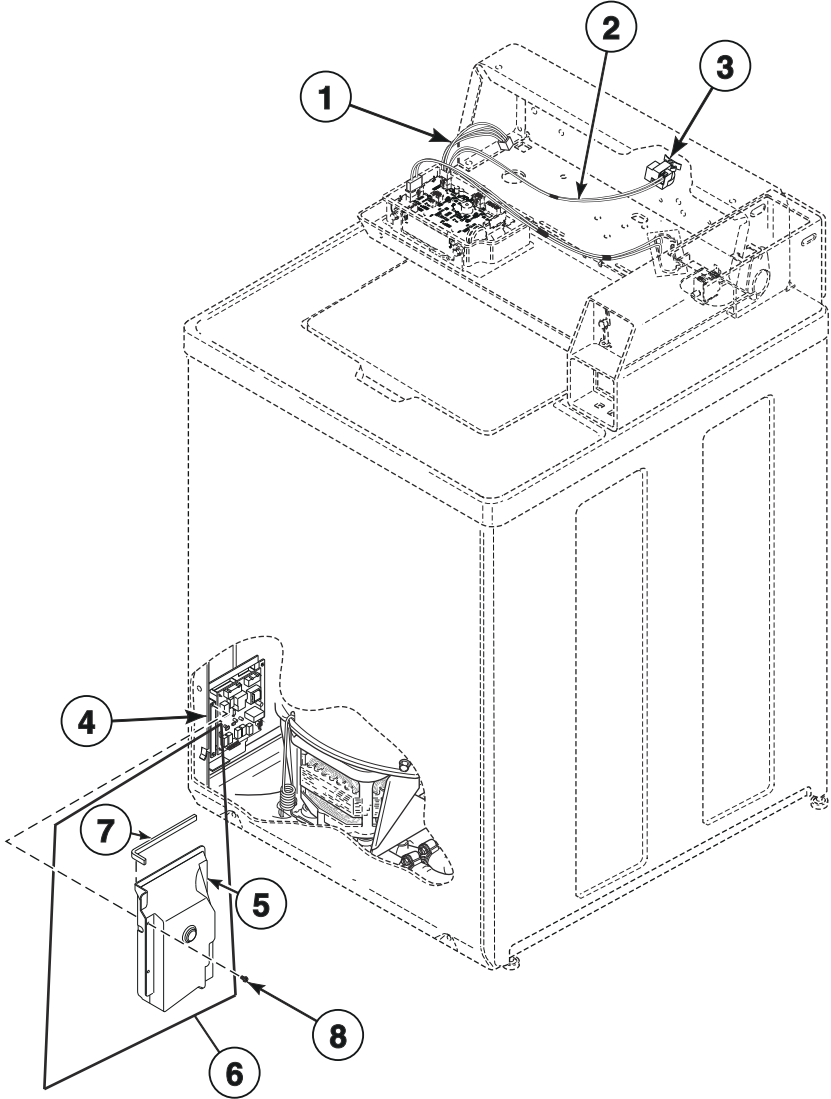
TLW1649P\_203385



## Special Tools

REF	PART NO.	DESCRIPTION	COMMENTS
1	725P3	Tool Kit	Includes items 2-7
2	321P4	Spring Hook Tool	For removal of centering springs from outer tub
3	293P4	Drive Bell Seal Tool	For installation of 36426 Bell and Transmission Tube Seal
4	273P4	Tub Cover Removal Tool	Use to install 38359 Tub Cover Gasket in outer tub cover
5	306P4	Hex Wrench Tool	For removal of locknut from washtub hub
6	254P4P	Agitator Hook	Use to remove agitator from drive bell; Set of 2
7	281P4	Torx Bit	T15; For removal and installation of control hood security screws
	282P4	Torx Bit	T25; For removal and installation of front panel security screws
8	24161	Bit Holder	3/8 inch drive

# Output Board, Wire Harnesses and Wires



TLW1770P\_203385

## Output Board, Wire Harnesses and Wires

REF	PART NO.	DESCRIPTION	COMMENTS
	45001	18 Gauge Wire	Black; Order wire by foot and terminals as required
	45380	12 Gauge Wire	Orange; Order wire by foot and terminals as required
	203361P	Machine ID Control Assembly	
<b>1</b>	203405	Control Harness	Models SWNNX2SP303AW01 and SWNNY2SP303NW22
	203406	Control Harness	Base; Models HWNNX2SP123DW01, HWNNX2SP543DW01, SWNNX2SP113JW01, SWNNX2SP123DW01, SWNNX2SP543DW01, SWNNX2SP543NW23 and SWNNX2SP543PW01
	202898	Control Harness	Model SWNNY2SP303UW01
	203404	Control Harness	All other models
<b>2</b>	202706	Pressure Sensor Harness	
<b>3</b>	202107	Pressure Sensor	
<b>4</b>	202508	Output Board Control Assembly	
<b>5</b>	202939	Output Control Shield	
<b>6</b>	202965	Shield Assembly	Includes 202939 Control Shield and 202964 Gasket
<b>7</b>	202964	Output Board Cover Gasket	
<b>8</b>	804667	Screw	

**NOTE: Individual wires are not available separately. Order complete harness, or order wire by the foot. When applying terminals to wires, it is recommended that the terminals be soldered to the wires.**



# Parts Index

## A

Adjustable Leg Extension Kit	
566P3 .....	37
Agitate and Spin Belt	
200923 .....	25
38174 .....	25
Agitator	
33174 .....	27
Agitator Cap	
36515 .....	27
Agitator Drive Bell Puller	
294P4 .....	45
Agitator Hook	
254P4P .....	47
Agitator Pinion	
27003 .....	31
Anti-Seize Compound	
27604P .....	31

## B

Balance Ring Assembly	
39837 .....	27
Base Assembly	
39788 .....	37
Bell and Transmission Tube Seal	
36425 .....	27
Bell Plug	
36511 .....	27
Belt and Pump Kit	
RB150003 .....	25
Bit Holder	
24161 .....	47
Bolt	
02505 .....	5
294P4B .....	45
32184 .....	15
Bracket	
201918 .....	15
202083 .....	19
36036 .....	37
36037 .....	37
Brake Kit	
38505P .....	35
Brake Pad Kit	
735P3 .....	35
Bumper	
M400795 .....	9, 11, 13
21685 .....	17
Bumper Pad	
36226 .....	37
56128 .....	37
Bushing	
33446 .....	17

## C

Cable Tie	
804724 .....	43
Capacitor	
203140 .....	25
37377 .....	25
Capacitor and Clamp Kit	
39259P .....	25
Capacitor Clamp	
37535 .....	25
Central Pay Harness	
511478 .....	9
805427 .....	11, 13
Clip	
201572 .....	7
Coin Box Extension Kit	
803578P .....	5
Coin Drop	
38963P .....	5
70441601P .....	5
70441603 .....	5
Coin Drop Assembly	
CK114 .....	5
CK123 .....	5
38462P .....	5
38463 .....	5
38464P .....	5
38467 .....	5
38472 .....	5
38519 .....	5
38521 .....	5
70441602 .....	5
70447301 .....	5
70482401 .....	5
Coin Identification Paper	
38725 .....	5, 7
Connector	
F140562 .....	43
Control Assembly	
202727 .....	9, 11, 13
Control Harness	
202898 .....	49
203404 .....	49
203405 .....	49
203406 .....	49
Control Hood	
210142W .....	13
37075Q .....	9
37075W .....	9, 11
Control Overlay	
202951 .....	13
202952 .....	9, 11
202973 .....	13
203076 .....	9, 11
Control Panel Assembly	
210042Q .....	9
210042W .....	9, 11
210137W .....	13
Control Panel Bumper	
202469 .....	9, 11, 13

N/A items do not appear in index.

Control Sticker Overlay 202309 .....	9
Counterweight Assembly 38769 .....	29

## D

Disconnect Power Warning Label 505281 .....	13, 17	
Drain Hose 28293 .....	33	
Drain Hose Elbow 35766 .....	33	
	36990 .....	33
Drive Bell and Seal Kit 39508P .....	27	
Drive Bell Seal Tool 293P4 .....	47	
Drive Pinion 37405 .....	31	
Dual Coin Harness Assembly 202871 .....	5, 7	
Dual Overlay 39073 .....	5	

## E

Electrical Shock Label F8211201 .....	11, 17	
Electronic Coin Drop Assembly 70294103P .....	7	
	70294104 .....	7
	70294105P .....	7
	70294106 .....	7
	70294107 .....	7
	70294109 .....	7
	70294110 .....	7
	70294111 .....	7
	70294120 .....	7
	70294121 .....	7
Electronic Coin Drop Kit CK099 .....	7	
	CK100 .....	7
	CK101 .....	7
	CK103 .....	7
	CK106 .....	7
	CK108 .....	7
	CK109 .....	7
	CK110 .....	7
	CK113 .....	7
	CK115 .....	7
	CK120 .....	7
	CK121 .....	7
End Cap 210108W .....	13	
	210109W .....	13
Ethernet Gateway Kit NK320 .....	9, 11, 13	

## F

Female Flag Terminal 00120 .....	43	
Female Pin Terminal 00117 .....	43	
	00574 .....	43
Female Spade Terminal 00112 .....	43	
	00121 .....	39
	00223 .....	43
Female Terminal 00188 .....	39, 43	
Fill Hose 202800 .....	23	
	20618 .....	23
	28097 .....	23
	37380 .....	23
	37381 .....	23
Fill Hose Kit 38349P .....	23	
Friction Ring 37937 .....	37	
Front Panel 38335QP .....	37	
	38335WP .....	37
Front Panel Brace 35097 .....	37	

## G

Gear and Stud Assembly 26577 .....	31	
Gear Sleeve 38864 .....	31	
Grease 36765P .....	27	
Grommet 29175 .....	29	
	80262 .....	19
Grounding Clip 00350 .....	43	

## H

Harness Strap 55881 .....	43
Helix 38008 .....	35
Hex Wrench Tool 306P4 .....	47
Hinge Gasket 34338 .....	17
Hold-Down Clip 35865 .....	37
Hold-Down Lug Hinge 27103 .....	37
Hood Back Panel 202465 .....	11
Hose Clamp F200204 .....	33

N/A items do not appear in index.

20211 .....	33
36801 .....	23, 33
39282 .....	29
800803 .....	23
Hose Clip	
36985 .....	29
Hose Coupler	
25863 .....	33
Hose Retainer Clip	
39177 .....	33
Housing, 24 Position	
32746 .....	43
34123 .....	43
Housing, 7 Position	
513933 .....	43
Hub and Lip Seal Kit	
766P3A .....	27, 29
Hub Spacer	
201212 .....	31

## I

Idler Lever	
38011 .....	25
Idler Lever and Belt Kit	
202972 .....	25
Idler Lever Kit	
959P3 .....	25
Idler Lever Spring	
202032 .....	25
Idler Pulley	
38225P .....	25
Idler Shaft	
210186 .....	25
Input Shaft	
38268P .....	31
Insulated Female Spade Terminal	
00359 .....	43
Insulator	
70210 .....	43
Isolator Post	
38325 .....	25

## L

Lead-In Cord	
202777 .....	41
203120 .....	41
203208 .....	41
203309 .....	41
203315 .....	41
203344 .....	41
203412 .....	41
Lead-In Cord Assembly	
203106 .....	41
Leg and Stabilizer Assembly	
34443 .....	37
Leg Plate	
27926 .....	29
Leg Spring	
201521 .....	29
37575 .....	29

37576 .....	29
Leveling Leg	
34319 .....	37
Lid	
200891W .....	17
Lid Hinge	
36437 .....	17
36438 .....	17
Lid Plug	
34153 .....	17
Lid Switch Assembly	
37631 .....	21
Lid Switch Drip Shield	
203136 .....	21
Lid Switch Shield	
202697 .....	21
Lower Bearing	
28944RP .....	35

## M

Machine ID Control Assembly	
203361P .....	49
Male Pin Terminal	
00567 .....	43
Male Tab Terminal	
00177 .....	25
Meter Case Assembly	
38724Q .....	5
38724W .....	5
Meter Case Assembly Kit	
803063WP .....	5
Meter Case Bracket Gasket	
35526 .....	5
Meter Case Gasket	
26354 .....	5
Meter Case Lockdown Bracket	
35525 .....	5
Meter Case Locking Bracket	
30642 .....	5
Meter Case Mounting Bracket Assembly	
35867 .....	37
Mixing Valve	
203144 .....	23
203145 .....	23
Mixing Valve Screen	
24122 .....	23
Mixing Valve Shield	
202899 .....	23
Mixing Valve-to-Tub Cover Hose	
202472 .....	23
Motor Assembly	
202544 .....	25
202960 .....	25
202971 .....	25
Motor Drip Shield	
203053 .....	25
Motor Kit	
38034P .....	25
Motor Mount	
38395 .....	25
38396 .....	25

N/A items do not appear in index.

Motor Mount Bracket 200941 .....	25
Motor Shield 34754 .....	25
Mounting Tool Kit CK096 .....	45

## N

Network Controller Kit NK220 .....	9, 11, 13
Network Retrofit Kit NK201 .....	9, 11, 13
Nut	
M400981 .....	21
03673 .....	41
201216 .....	7
21899 .....	37
23951 .....	15
27222 .....	19
28803 .....	25
29220 .....	27
29786 .....	5
30647 .....	5, 15
35423 .....	25
36020 .....	19
52566 .....	9, 11, 25
685846 .....	25
802337 .....	5

## O

Operation Instruction Label 203152 .....	5
Options Label 202828 .....	9
202829 .....	9, 11, 13
Opto Coupler 200674P .....	5
Outer Tub Assembly	
200510P .....	29
200511P .....	29
Output Board Control Assembly 202508 .....	49
Output Board Cover Gasket 202964 .....	49
Output Control Shield 202939 .....	49
Output Shaft 36570P .....	31
Overlay	
201091 .....	7
203245 .....	13
Overlay Kit 38676 .....	5

## P

Panel Locator	
28102 .....	37
56079 .....	37

Pinched Fingers Label F8211301 .....	29
Plug	
F8556401 .....	39
F8556402 .....	39
F8556403 .....	39
F8556404 .....	39
Plug, 10 Circuit 34677 .....	39
Plug, 2 Circuit 513938 .....	43
Plug, 3 Circuit 513941 .....	43
Plug, 4 Circuit 513932 .....	43
Plug, 6 Circuit 23041 .....	43
Plug, 8 Circuit	
513923 .....	43
513927 .....	43
Porcelain Touch-Up Paint	
122P4P .....	37
370P4P .....	37
Pressure Bulb 30907 .....	29
Pressure Sensor 202107 .....	49
Pressure Sensor Harness 202706 .....	49
Pulley 202795 .....	35
Pump 201566P .....	25
Pump Assembly 201442P .....	25
Pump-to-Drain Elbow Hose 38273 .....	33

## R

Rack 201664 .....	31
Ratchet Extension Tool 310P4 .....	45
Rear Hood Panel 37020 .....	9
Rear Panel	
201919 .....	15
210143 .....	13
Receptacle, 6 Circuit 26708 .....	43
Reduction Gear 37404P .....	31
Resistor 210100 .....	11, 13
Retaining Ring	
23748 .....	25
27197 .....	31
Ring Terminal 00319 .....	43
Rubber Foot 34318 .....	37

N/A items do not appear in index.



---

**S**

## Screw

M402574 .....	21
02916 .....	9, 11
201773 .....	31
20267 .....	41
20530 .....	25
23008 .....	19
23222 .....	9, 11
23962 .....	19, 21
27196 .....	37
27202 .....	27
27220 .....	35
27229 .....	25
29273 .....	31
31645 .....	25
32814 .....	31
33562 .....	23
34337 .....	17
35148 .....	37
35369 .....	25, 29
35528 .....	9, 11
36048 .....	5
36639 .....	25
39397 .....	23
39432 .....	27
39566 .....	29
39733 .....	37
39739 .....	35
431287 .....	19, 37
501086 .....	9, 11, 13
501524 .....	9, 11, 13, 37
503661 .....	11, 13
503673 .....	5, 17
503688 .....	15
52864 .....	9, 11, 13
52909 .....	17, 25, 33, 37
804667 .....	49
Sealant	
200996P .....	27, 29
Security Kit	
904P3 .....	15
Service Cabinet Kit	
38612QP .....	37
38612WP .....	37
Service Door Assembly	
39874QP .....	5
39874WP .....	5
Shield Assembly	
202965 .....	49
Shipping Brace	
200552 .....	45
Shipping Plug	
38149 .....	45
Silicon Grease	
26594P .....	35
Silicone Grease	
26594P .....	35
Single Coin Harness Assembly	
202870 .....	5
Single Overlay	
38717 .....	5
Siphon Break Kit	
562P3 .....	33

Slide	
26493 .....	31
Spline Insert	
29728 .....	27
Spring Clip	
210202 .....	25
Spring Hook Tool	
321P4 .....	47
Strain Relief	
38384 .....	19
Support Barrel	
56534 .....	19
Switch	
33445 .....	21
512973 .....	5

---

**T**

Terminal	
00568 .....	43
Terminal Extractor Tool	
283P4 .....	39
TERMINAL grounding clip	
00569 .....	43
TERMINAL tab	
00577 .....	43
Tool Kit	
725P3 .....	47
Top	
203316W .....	19
39167QP .....	19
39167WP .....	19
Top Assembly	
210173WP .....	19
Top Shield	
39744 .....	19
Torx Bit	
281P4 .....	47
282P4 .....	47
Transformer	
202757 .....	13
Transmission Assembly	
38165P .....	31
Transmission Case Assembly	
33223P .....	31
Transmission Cover Assembly	
37471 .....	31
Transmission Oil	
27243P .....	31
Transmission Pin Tool	
305P4 .....	45
Transmission Rebuild Kit	
RB150004 .....	31
Transmission Sealant	
37577P .....	31
Tub Assembly	
39252P .....	27
39387P .....	27
Tub Cover Assembly	
202461 .....	29
Tub Cover Gasket	
38359 .....	29

N/A items do not appear in index.

Tub Cover Removal Tool 273P4 .....	47
Tub Kit 39250P .....	27
Tube 202333 .....	25
Tubing 202700 .....	29
Tub-to-Pump Hose 38351 .....	33

Wiring Harness Assembly 202869 .....	13
---	----

---

## U

USB Gateway Kit NK330 .....	9, 11, 13
--------------------------------	-----------

---

## W

Warning Label 500049 .....	29
500314 .....	29
500316 .....	13, 17
803260 .....	13
Washer M400017 .....	9, 11
02431 .....	9, 11
20290 .....	23
21735 .....	41
25100 .....	15
26509 .....	31, 35
27015 .....	35
28094 .....	27
29260 .....	31
35092 .....	31
35535 .....	35
37772 .....	25
39249 .....	19, 29
504082 .....	25
52549 .....	25
802254 .....	23
803615 .....	23
81392 .....	25
Washtub Gasket 39122 .....	27
Washtub Kit 719P3 .....	27
Weldment and Bearing Assembly 39253 .....	35
39254 .....	35
Wire Clip 504034 .....	43
51291 .....	43
Wire Guard 201595P .....	5
Wire Tie 70296701 .....	43
Wireless Network Kit NK301 .....	9, 11, 13
Wire, 12 Gauge 45380 .....	49
Wire, 18 Gauge 45001 .....	49

N/A items do not appear in index.