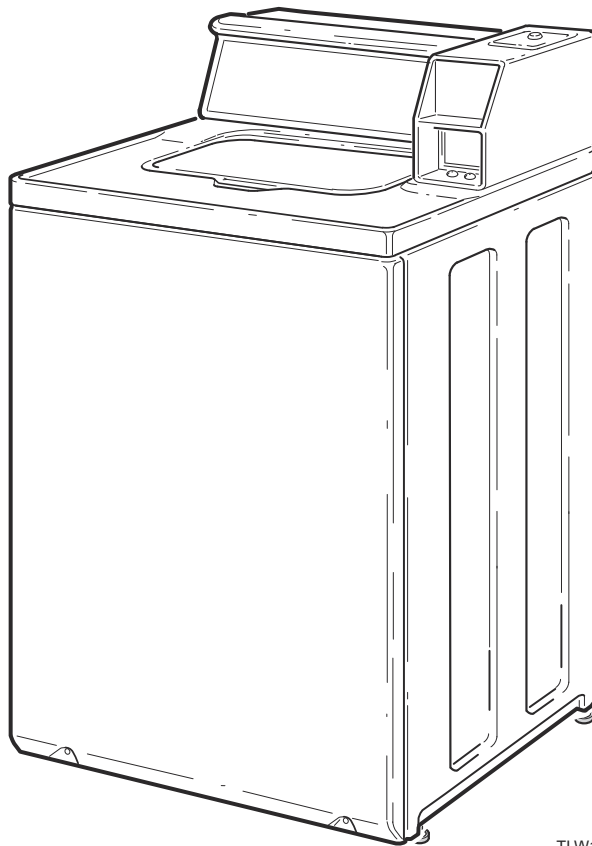


# Commercial Topload Washers

Metered and Nonmetered  
Refer to Page 3 for Model Numbers



TLW13C\_203385



# Table of Contents

Title	Page
Parts Ordering Information.....	2
Serial Plate Location .....	2
Model Identification .....	3
Meter Case Assembly (Drawing 1 of 2) .....	4
Meter Case Assembly (Drawing 2 of 2) .....	6
Non-Electronic Coin Drop .....	8
Electronic Coin Drop .....	10
Control Panel, Control Hood and Controls (Drawing 1 of 7) .....	12
Control Panel, Control Hood and Controls (Drawing 2 of 7) .....	14
Control Panel, Control Hood and Controls (Drawing 3 of 7) .....	16
Control Panel, Control Hood and Controls (Drawing 4 of 7) .....	18
Control Panel, Control Hood and Controls (Drawing 5 of 7) .....	20
Control Panel, Control Hood and Controls (Drawing 6 of 7) .....	22
Control Panel, Control Hood and Controls (Drawing 7 of 7) .....	24
Lid .....	26
Cabinet Top .....	28
Lid, Lid Lock and Cabinet Top .....	30
Lid Switch.....	32
Mixing Valve-to-Tub Cover Hose and Mixing Valve.....	34
Fill Hose .....	36
Motor, Belt, Pump and Idler Assembly (Drawing 1 of 2) .....	38
Motor, Belt, Pump and Idler Assembly (Drawing 2 of 2) .....	40
Agitator, Drive Bell, Hub and Lip Seal Kit and Washtub .....	42
Outer Tub, Cover, Bearing and Seal Housing .....	44
Leg Springs, Pressure Hose and Counterweight.....	46
Transmission Assembly .....	48
Drain Hoses and Siphon Break Kit .....	50
Weldment and Bearing Assembly, Brake and Pulley.....	52
Front Panel, Base Assembly and Cabinet Kit.....	54
Mixing Valve and Motor Disconnect Blocks, Terminals and Terminal Extractor Tool.....	56
Lead-In Cord .....	58
Terminals .....	60
Shipping Materials and Special Tools.....	62
Special Tools .....	64
Output Board, Wire Harnesses and Wires .....	66
Parts Index.....	69

© Copyright 2019, Alliance Laundry Systems LLC

All rights reserved. No part of the contents of this book may be reproduced or transmitted in any form or by any means without the expressed written consent of the publisher.

## Parts Ordering Information

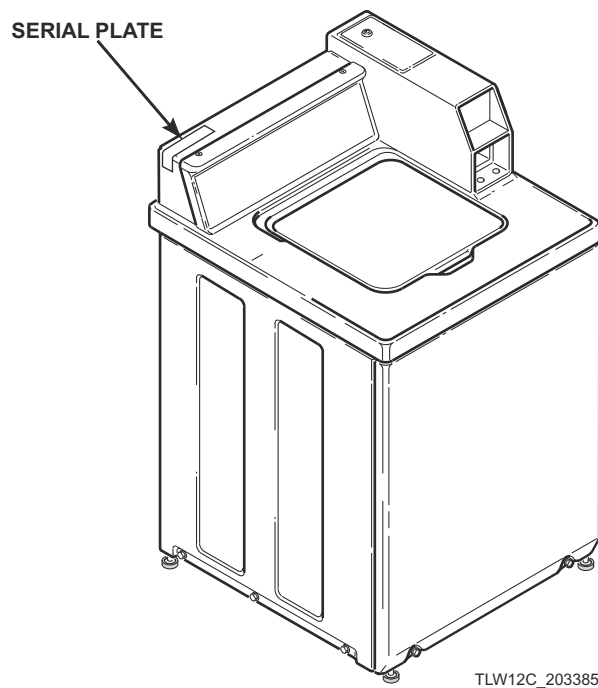
If literature or replacement parts are required, contact the source from whom the machine was purchased or contact Alliance Laundry Systems at (920) 748-3950 for the name and address of the nearest authorized parts distributor.

For technical assistance, call the number listed below:

(920) 748-3121 Ripon, Wisconsin

## Serial Plate Location

When calling or writing about your product, be sure to mention model and serial numbers. Model and serial numbers are located on serial plate(s) as shown.



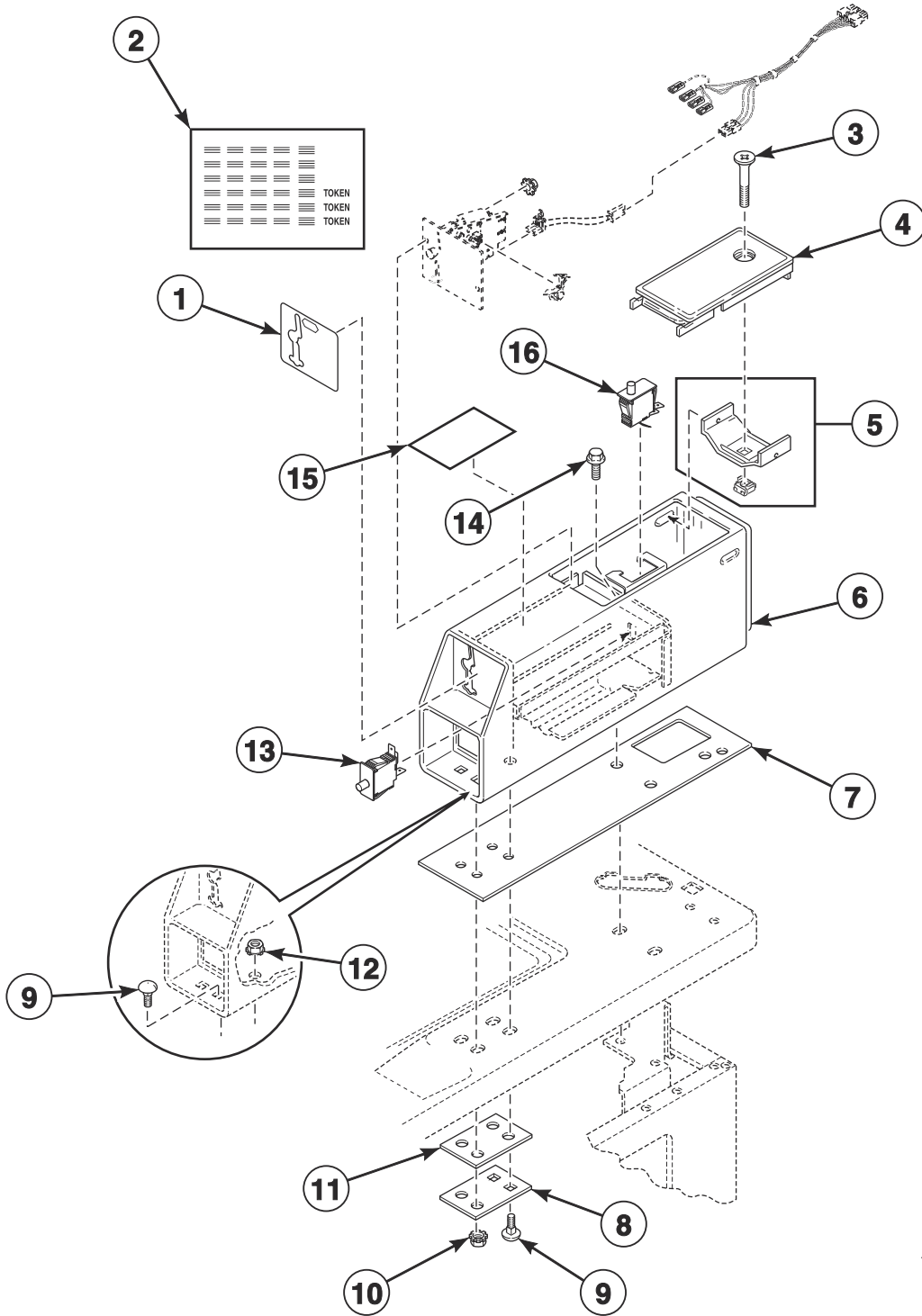
## Model Identification

Information in this manual is applicable to these washer models:

HWNNE2AP113CW01	SWNNE2HP113CW15	SWNNY2AP113TW01
HWNNE2AP113CW04	SWNNE2HP115CW02	SWNNY2AP113TW04
HWNNE2HP113CW01	SWNNE2SP113CW02	SWNNY2HP113CW04
HWNNE2HP113CW04	SWNNE2SP115CW02	SWNNY2HP113TW01
HWNNE2HP115CW01	SWNNX2AP113TW02	SWNNY2HP113TW04
HWNNE2SP113CW01	SWNNX2AP113TW15	SWNNY2HP115CW01
HWNNE2SP115CW01	SWNNX2HP113CW15	SWNNY2HP115TW01
HWNNX2HP113CW01	SWNNX2HP113TW01	SWNNY2PP113TW01
HWNNX2HP113CW04	SWNNX2HP113TW02	SWNNY2SP113CW01
HWNNX2HP115CW01	SWNNX2HP113TW04	SWNNY2SP113TW01
HWNNX2SP113CW01	SWNNX2HP113TW15	SWNNY2SP115CW01
HWNNX2SP115CW01	SWNNX2HP115CW02	SWNNY2SP115TW01
HWNNX2SP123DW01	SWNNX2HP115TW01	SWNNY2SP303NW22
HWNNX2SP543DW01	SWNNX2HP115TW02	SWNNY2SP303UW01
HWNNY2HP113CW01	SWNNX2PP113TW02	SWNNZ2SP113NW22
HWNNY2HP113CW04	SWNNX2SP103JW01	SWNWC2HP115TW42
HWNNY2SP113CW01	SWNNX2SP113CW02	SWNWX2HP113TW15
HWNNY2SP115CW01	SWNNX2SP113JW01	SWNWX2HP115TW02
NWNNX2SP125MW01	SWNNX2SP113TW01	SWNWX2SP113TW02
NWNNX2SP303ZW01	SWNNX2SP113TW02	SWNWX2SP115TW02
SWNNC2AP113TW01	SWNNX2SP115CW02	SWNWX2SP303BW01
SWNNC2AP113TW02	SWNNX2SP115TW01	SWNWX2SP113TW01
SWNNC2AP113TW04	SWNNX2SP115TW02	SWNWX2SP115TW02
SWNNC2AP113TW15	SWNNX2SP123DW01	SWNWX2SP303BW01
SWNNC2HP113TQ01	SWNNX2SP303AW01	SWNWX2SP113TW01
SWNNC2HP113TQ04	SWNNX2SP303LW01	SWNWX2SP115TW02
SWNNC2HP113TW01	SWNNX2SP543DW01	SWNWX2SP303BW01
SWNNC2HP113TW02	SWNNX2SP543NW23	SWNWX2SP113TW01
SWNNC2HP113TW04	SWNNX2SP543PW01	SWNWX2SP115TW02
SWNNC2HP113TW15		SWNWX2SP113TW01
SWNNC2HP115TQ01		SWNWX2SP115TW01
SWNNC2HP115TW01		SWNWX2SP113TW04
SWNNC2HP115TW02		SWNWX2SP115TW01
SWNNC2PP113TW01		SWNWX2SP115TW41
SWNNC2PP113TW02		SWNWX2SP113TW01
SWNNC2SP113TQ01		SWNWX2SP115TW01
SWNNC2SP113TW01		SWNWX2SP113TW01
SWNNC2SP113TW02		SWNWX2SP115TW01
SWNNC2SP115TQ01		SWNWX2SP113TW01
SWNNC2SP115TW01		SWNWX2SP115TW01
SWNNC2SP115TW02		SWNWX2SP113TW01

# Meter Case Assembly (Drawing 1 of 2)

Coin Models



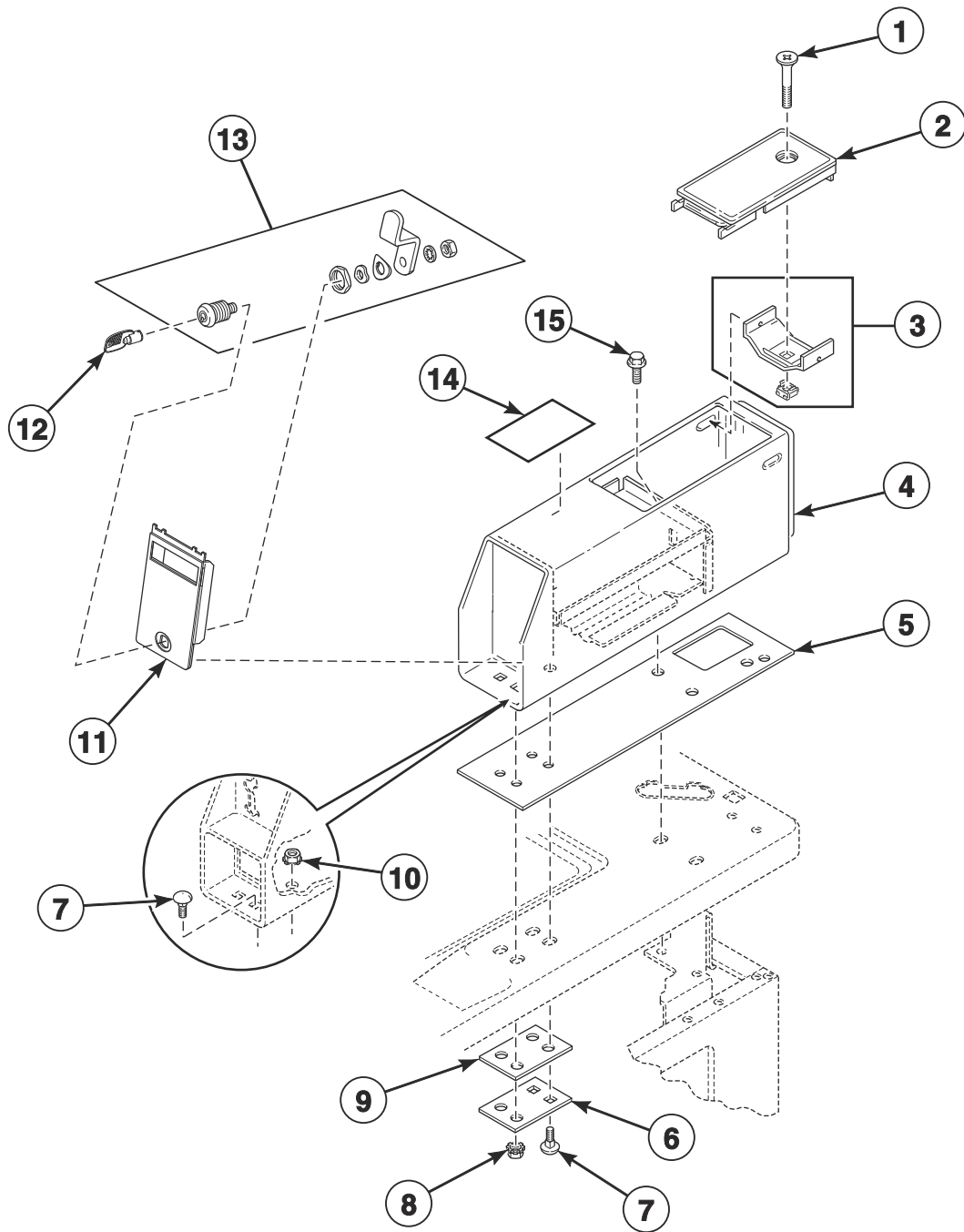
TLW1741P\_203385

## Meter Case Assembly (Drawing 1 of 2)

REF	PART NO.	DESCRIPTION	COMMENTS
1	38717	Single Overlay	\$.25
	38676	Overlay Kit	Dual; Includes item 2
	39073	Dual Overlay	\$.25 and \$1.00
2	38725	Coin Identification Paper	
3	D503673	Screw	
4	39874WP	Service Door Assembly	White
	39874QP	Service Door Assembly	Bisque
5	204616	Meter Case Locking Bracket Kit	
6	802505W	Meter Case Assembly	White; Models HWNNE2AP113CW01, HWNNE2AP113CW04, HWNNE2HP113CW01, HWNNE2HP113CW04, HWNNE2HP115CW01, HWNNE2SP113CW01 and HWNNE2SP115CW01; Standard capacity
	807406W	Meter Case Assembly	White; Models HWNNE2AP113CW01, HWNNE2AP113CW04, HWNNE2HP113CW01, HWNNE2HP113CW04, HWNNE2HP115CW01, HWNNE2SP113CW01 and HWNNE2SP115CW01; High capacity
	202877W	Meter Case Assembly	White; All other models; Standard capacity
	202877Q	Meter Case Assembly	Bisque; All other models; Standard capacity
	807401W	Meter Case Assembly Kit	White; All other models; High capacity; Includes switch and harness
	803578P	Coin Box Extension Kit	Use high capacity meter cases to extend shorter 7 inch coin boxes
7	26354	Meter Case Gasket	
8	35525	Meter Case Lockdown Bracket	
9	203798	Bolt	
10	29786	Nut	
11	35526	Meter Case Bracket Gasket	
12	802337	Nut	
13	D512973	Switch	Through Serial No. 1810000001
	70529301	Switch	Starting Serial No. 1810000001
14	36048	Screw	
15	203152	Operation Instruction Label	
16	D512973	Switch	Used through Serial No. 1810000001

# Meter Case Assembly (Drawing 2 of 2)

Model SWNNZ2SP113NW2



TLW1884P\_203385

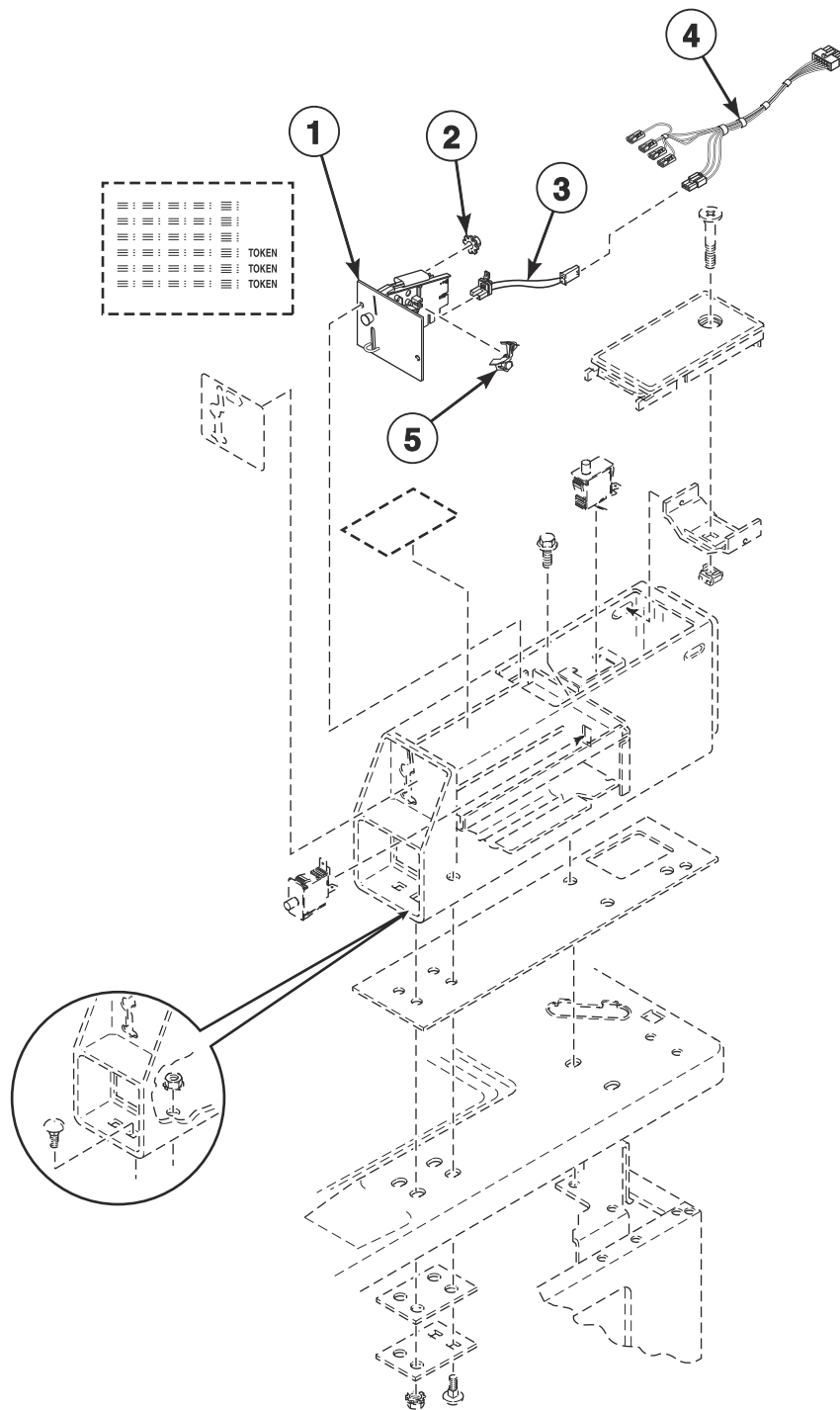


## Meter Case Assembly (Drawing 2 of 2)

REF	PART NO.	DESCRIPTION	COMMENTS
1	D503673	Screw	
2	39874WP	Service Door Assembly	White
	39874QP	Service Door Assembly	Bisque
3	204616	Meter Case Locking Bracket Kit	
4	204597W	Meter Case Assembly	
5	26354	Meter Case Gasket	
6	35525	Meter Case Lockdown Bracket	
7	203798	Bolt	
8	29786	Nut	
9	35526	Meter Case Bracket Gasket	
10	802337	Nut	
11	204296W	Front Panel	
12	54612	Key	GR800
13	804339P	Lock Assembly	
14	203152	Operation Instruction Label	
15	36048	Screw	

# Non-Electronic Coin Drop

Coin Models



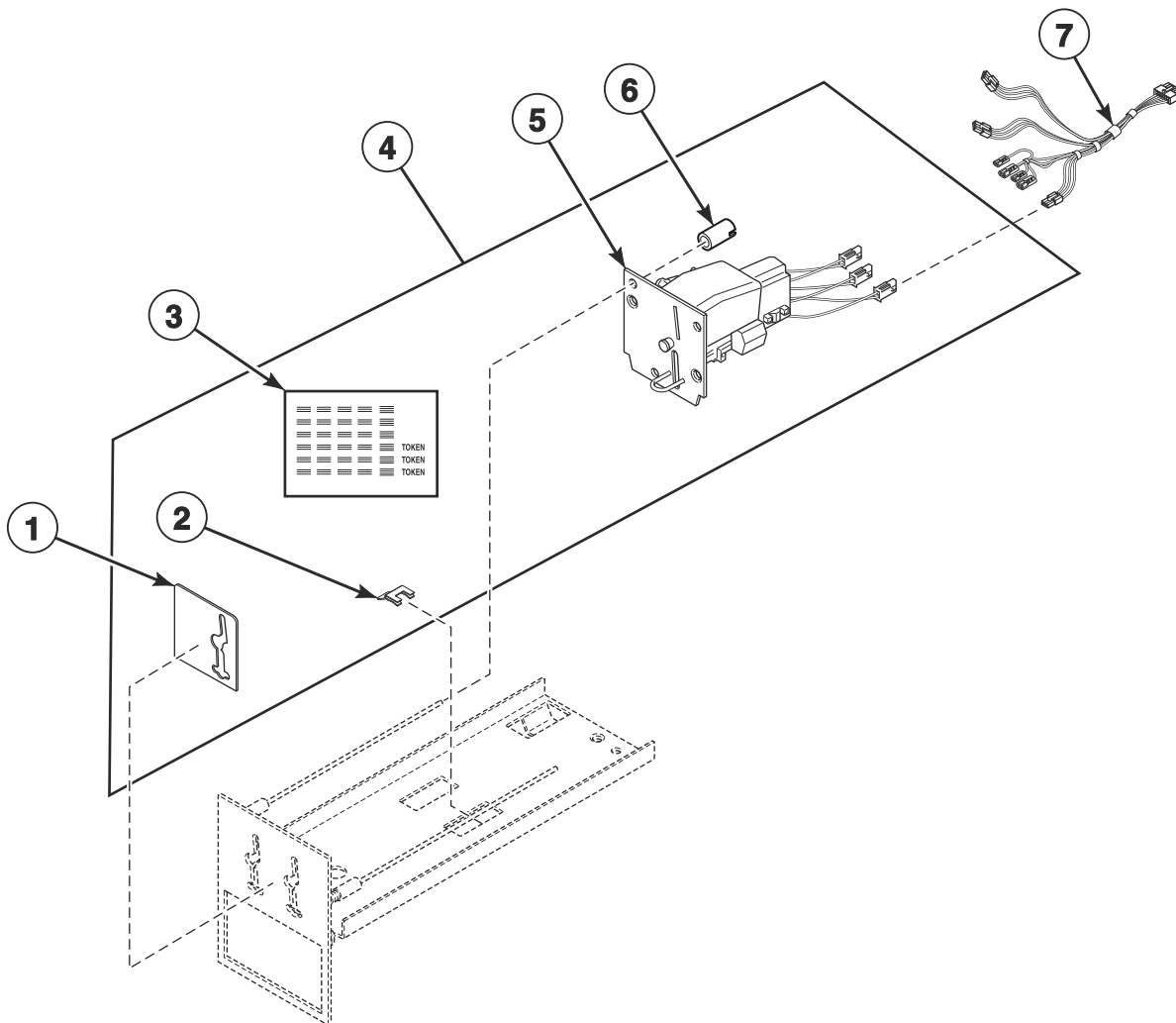
TLW1741PA\_203385

## Non-Electronic Coin Drop

REF	PART NO.	DESCRIPTION	COMMENTS
1	70441601P	Coin Drop	Single; U.S.A.; \$.25
	70441603	Coin Drop	Dual; U.S.A.; \$.25 and \$1.00
	38467	Coin Drop Assembly	Dual; Australia; .20 and 1.00
	70447301	Coin Drop Assembly	Dual; Australia; 1.00 and 2.00
	38464P	Coin Drop Assembly	Single; Canada; .25
	70441602	Coin Drop Assembly	Dual; Canada; .25 and 1.00
	38472	Coin Drop Assembly	Dual; England; 20 pence and 1 pound
	38519	Coin Drop Assembly	Dual; Japan; 100 yen and 500 yen
	38521	Coin Drop Assembly	Dual; Korea; 100 won and 500 won
	CK114	Coin Drop Assembly	Single; Singapore; Old 1.00
	CK123	Coin Drop Kit	Single; Singapore; New 1.00
	70482401	Coin Drop Assembly	Dual; New Zealand ; 1.00 and 2.00
	38462P	Coin Drop Assembly	Single; Token; STD-118-1
	38463	Coin Drop Assembly	Single; Token; STD 118-5
	38963P	Coin Drop	Single; Token 118-16 not available; Replacement for 38963P Coin Drop only
	2	29786	Nut
3	200674P	Opto Coupler	
4	202870	Single Coin Harness Assembly	Models SWNNC2AP113TW01, SWNNC2AP113TW02, SWNNC2AP113TW04, SWNNC2AP113TW15, SWNNC2HP113TQ01, SWNNC2HP113TQ04, SWNNC2HP113TW01, SWNNC2HP113TW02, SWNNC2HP113TW04, SWNNC2HP113TW15, SWNNC2HP115TQ01, SWNNC2HP115TW01, SWNNC2HP115TW02, SWNNC2PP113TW01, SWNNC2PP113TW02, SWNNC2SP113TQ01, SWNNC2SP113TW01, SWNNC2SP113TW02, SWNNC2SP115TQ01, SWNNC2SP115TW01, SWNNC2SP115TW02 and SWNWC2HP115TW42; Through Serial No. 1810000001
	806826	Single Coin Harness Assembly	Models SWNNC2AP113TW01, SWNNC2AP113TW02, SWNNC2AP113TW04, SWNNC2AP113TW15, SWNNC2HP113TQ01, SWNNC2HP113TQ04, SWNNC2HP113TW01, SWNNC2HP113TW02, SWNNC2HP113TW04, SWNNC2HP113TW15, SWNNC2HP115TQ01, SWNNC2HP115TW01, SWNNC2HP115TW02, SWNNC2PP113TW01, SWNNC2PP113TW02, SWNNC2SP113TQ01, SWNNC2SP113TW01, SWNNC2SP113TW02, SWNNC2SP115TQ01, SWNNC2SP115TW01, SWNNC2SP115TW02 and SWNWC2HP115TW42; Starting Serial No. 1810000001
	202871	Dual Coin Harness Assembly	All other models; Through Serial No. 1810000001
	806827	Dual Coin Harness Assembly	All other models; Starting Serial No. 1810000001
	5	201595P	Wire Guard

# Electronic Coin Drop

Coin Models



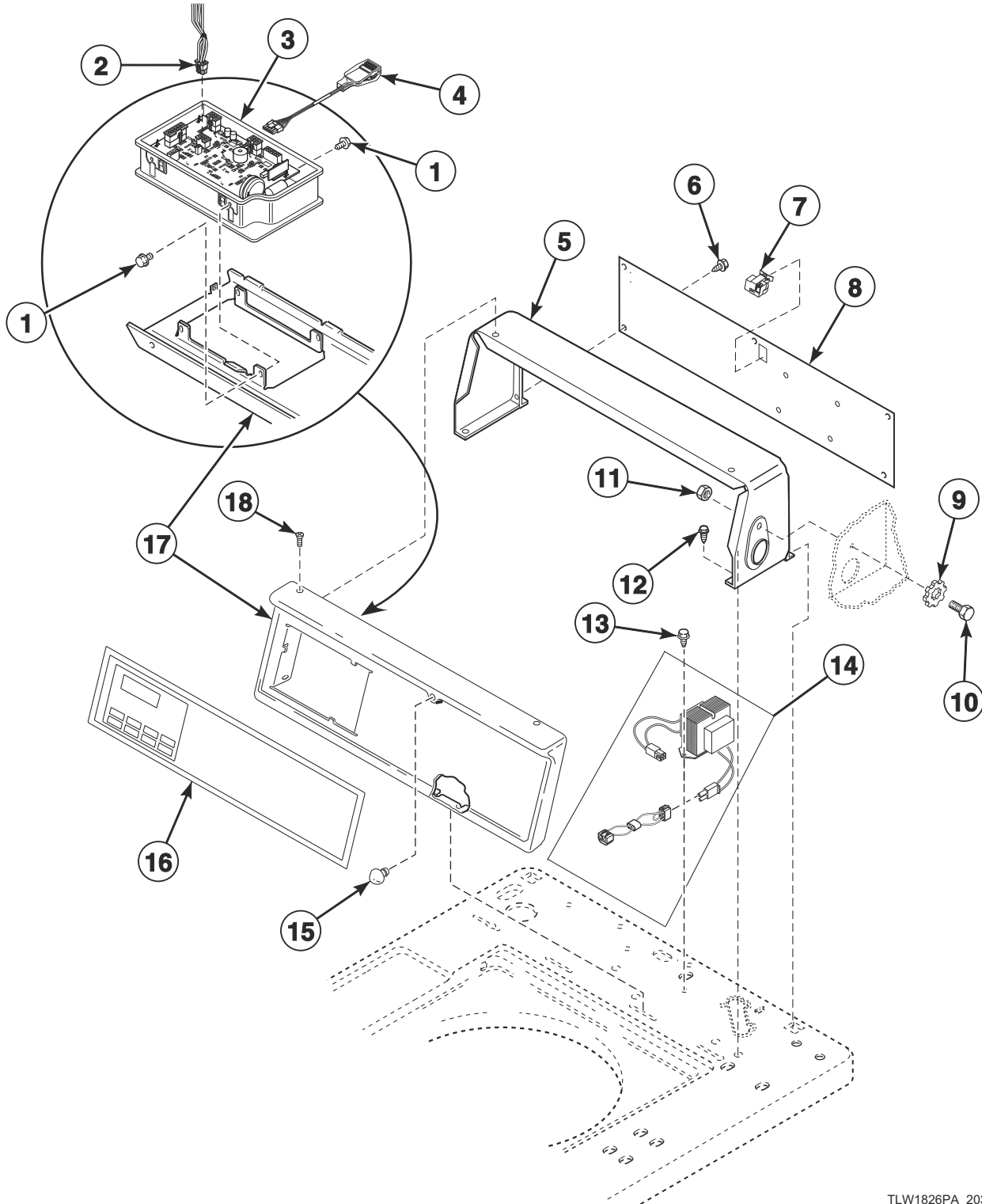
FLW1769P\_203385

# Electronic Coin Drop

REF	PART NO.	DESCRIPTION	COMMENTS
1	201091	Overlay	
2	201572	Clip	
3	38725	Coin Identification Paper	
4	CK115	Electronic Coin Drop Kit	Includes items 1-3 and 5-7; United States and Canada coins; Models SWNNC2AP113TW01, SWNNC2AP113TW02, SWNNC2AP113TW04, SWNNC2AP113TW15, SWNNC2HP113TQ04, SWNNC2HP113TW01, SWNNC2HP113TW02, SWNNC2HP113TW04, SWNNC2HP113TW15, SWNNC2HP115TQ01, SWNNC2HP115TW01, SWNNC2HP115TW02, SWNNC2PP113TW01, SWNNC2PP113TW02, SWNNC2SP113TQ01, SWNNC2SP113TW01, SWNNC2SP113TW02, SWNNC2SP115TQ01, SWNNC2SP115TW01 and SWNNC2SP115TW02 must also order items 8 and 9
	CK099	Electronic Coin Drop Kit	Includes items 1-3 and 5-7; Australia, New Zealand, Hong Kong and South Korea coins
	CK100	Electronic Coin Drop Kit	Includes items 1-3 and 5-7; Euro and Great Britain coins
	CK101	Electronic Coin Drop Kit	Includes items 1-3 and 5-7; Euro, Denmark and Norway coins
	CK103	Electronic Coin Drop Kit	Includes items 1-3 and 5-7; Euro, Lithuania and Latvia coins
	CK106	Electronic Coin Drop Kit	Includes items 1-3 and 5-7; Malaysia, China, Russia and Singapore coins
	CK108	Electronic Coin Drop Kit	Includes items 1-3 and 5-7; South African 1, 2, 5 rand coins
	CK109	Electronic Coin Drop Kit	Includes items 1-3 and 5-7; Euro coins
	CK110	Electronic Coin Drop Kit	Includes items 1-3 and 5-7; Mexico, Ecuador and United States coins
	CK113	Electronic Coin Drop Kit	Includes items 1-3 and 5-7; Japan and Taiwan coins
	CK120	Electronic Coin Drop Kit	Includes items 1-3 and 5-7; Chile coins
	CK121	Electronic Coin Drop Kit	Includes items 1-3 and 5-7; Singapore coins
5	70513302	Electronic Coin Drop Assembly	Euro and Great Britain coins
	70294122	Electronic Coin Drop Assembly	Great Britain coins
	70294104	Electronic Coin Drop Assembly	Euro, Denmark and Norway coins
	70294107	Electronic Coin Drop Assembly	Euro, Lithuania and Latvia coins
	70294109	Electronic Coin Drop Assembly	Malaysia, China, Russia and Singapore coins
	70294110	Electronic Coin Drop Assembly	South African 1, 2, 5 rand coins
	70294111	Electronic Coin Drop Assembly	Euro coins
	70294106	Electronic Coin Drop Assembly	Mexico, Ecuador and United States coins
	70294120	Electronic Coin Drop Assembly	Chile coins
	70294121	Electronic Coin Drop Assembly	Singapore coins
6	201216	Nut	
7	202871	Dual Coin Harness Assembly	Through Serial No. 1810000001
	806827	Dual Coin Harness Assembly	Starting Serial No. 1810000001

# Control Panel, Control Hood and Controls (Drawing 1 of 7)

Models HWNNE2AP113CW01, HWNNE2AP113CW04, HWNNE2HP113CW01, HWNNE2HP113CW04, HWNNE2HP115CW01, HWNNE2SP113CW01, HWNNE2SP115CW01, HWNNX2HP113CW01, HWNNX2HP113CW04, HWNNX2HP115CW01, HWNNX2SP113CW01, HWNNX2SP115CW01, HWNNX2SP123DW01, SWNNC2AP113TW01, SWNNC2AP113TW02, SWNNC2AP113TW04, SWNNC2AP113TW15, SWNNC2HP113TQ01, SWNNC2HP113TQ04, SWNNC2HP113TW01, SWNNC2HP113TW02, SWNNC2HP113TW04, SWNNC2HP113TW15, SWNNC2HP115TQ01, SWNNC2HP115TW01, SWNNC2HP115TW02, SWNNC2PP113TW01, SWNNC2PP113TW02 and SWNNC2SP113TQ01



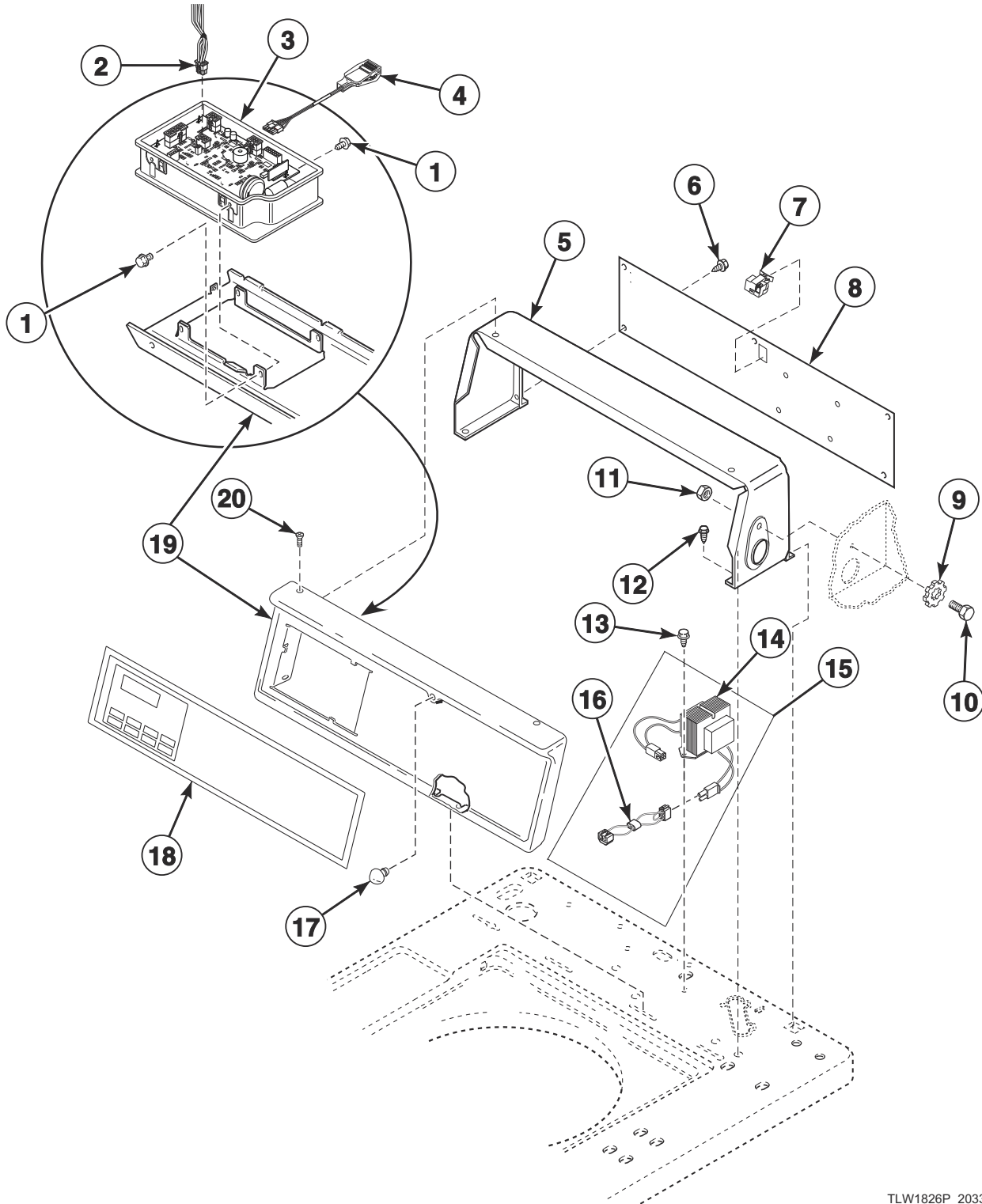
TLW1826PA\_203385

## Control Panel, Control Hood and Controls (Drawing 1 of 7)

REF	PART NO.	DESCRIPTION	COMMENTS
	203328	Network Retrofit Kit	Wired
	NK220	Network Controller Kit	Wired
	203889	Wireless Network Kit	Through Serial No. 1902000001
	204689	Wireless Network Kit	Starting Serial No. 1902000001
	NK320	Ethernet Gateway Kit	Wireless
	NK330	USB Gateway Kit	Wireless
<b>1</b>	804608	Screw	
<b>2</b>	805427	Central Pay Harness	
<b>3</b>	203564P	Control Assembly	
<b>4</b>	203361P	Machine ID Control Assembly	Model or serial number is required when ordering
<b>5</b>	37075Q	Control Hood	Bisque
	37075W	Control Hood	White
<b>6</b>	23222	Screw	
<b>7</b>	203843	Pressure Sensor	Mounted here through Serial No. 1806000001; Mounted to mixing valve bracket starting Serial No. 1806000001
<b>8</b>	37020	Rear Hood Panel	
<b>9</b>	M400017	Washer	
<b>10</b>	02916	Screw	
<b>11</b>	44087101	Nut	
<b>12</b>	D501086	Screw	
<b>13</b>	D503661	Screw	
<b>14</b>	203423	Transformer Kit	120 volt; Includes transformer and harness
<b>15</b>	202469	Control Panel Bumper	
	M400795	Bumper	Extra thick
<b>16</b>	203076	Control Overlay	Models HWNNE2AP113CW01, HWNNE2AP113CW04, HWNNE2HP113CW01, HWNNE2HP113CW04, HWNNE2SP113CW01, HWNNX2HP113CW01, HWNNX2HP113CW04, HWNNX2SP113CW01 and HWNNX2SP123DW01
	203997	Control Overlay	Models HWNNE2HP115CW01, HWNNE2SP115CW01, HWNNX2HP115CW01 and HWNNX2SP115CW01
	203994	Control Overlay	Models SWNNC2HP115TQ01, SWNNC2HP115TW01 and SWNNC2HP115TW02
	202952	Control Overlay	All other models
<b>17</b>	210042Q	Control Panel Assembly	Bisque
	210042W	Control Panel Assembly	White
<b>18</b>	52864	Screw	Phillips head
	35528	Screw	Torx head

# Control Panel, Control Hood and Controls (Drawing 2 of 7)

Models NWNNX2SP125MW01, SWNNC2SP113TW01, SWNNC2SP113TW02, SWNNC2SP115TQ01, SWNNC2SP115TW01, SWNNC2SP115TW02, SWNNE2HP113CW15, SWNNE2HP115CW02, SWNNE2SP113CW02, SWNNE2SP115CW02, SWNNX2AP113TW02, SWNNX2AP113TW15, SWNNX2HP113CW15, SWNNX2HP113TW01, SWNNX2HP113TW02, SWNNX2HP113TW04, SWNNX2HP113TW15, SWNNX2HP115CW02, SWNNX2HP115TW01, SWNNX2HP115TW02, SWNNX2PP113TW02, SWNNX2SP113CW02, SWNNX2SP113TW01, SWNNX2SP113TW02, SWNNX2SP115CW02, SWNNX2SP115TW01, SWNNX2SP115TW02, SWNNX2SP123DW01, SWNNX2SP543NW23 and SWNNZ2SP113NW22



TLW1826P\_203385

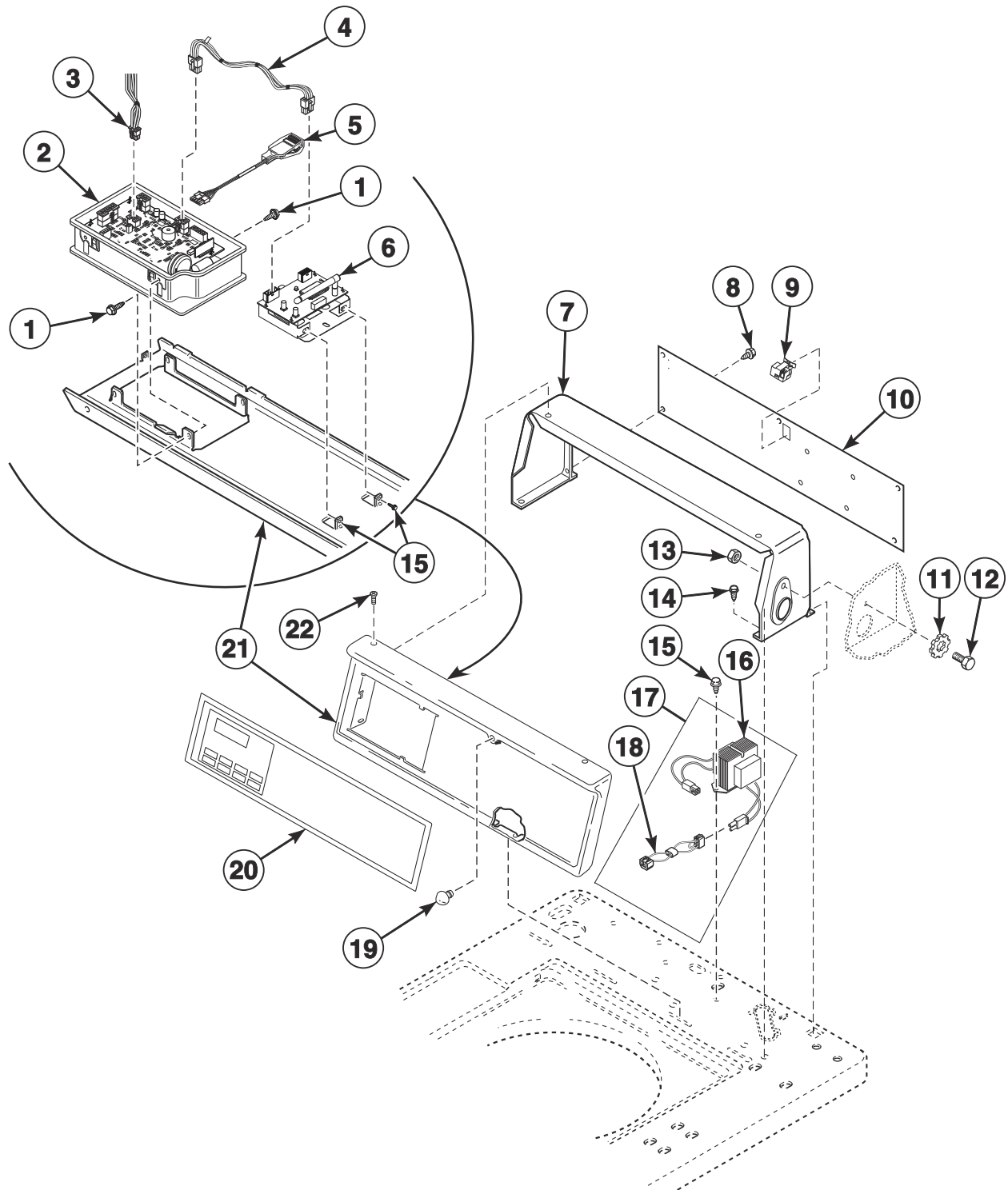


## Control Panel, Control Hood and Controls (Drawing 2 of 7)

REF	PART NO.	DESCRIPTION	COMMENTS
	202869	Wiring Harness Assembly	Diagnostic; Model SWNNZ2SP113NW22
	203328	Network Retrofit Kit	Wired
	NK220	Network Controller Kit	Wired
	203889	Wireless Network Kit	Through Serial No. 1902000001
	204689	Wireless Network Kit	Starting Serial No. 1902000001
	NK320	Ethernet Gateway Kit	Wireless
	NK330	USB Gateway Kit	Wireless
<b>1</b>	804608	Screw	
<b>2</b>	805427	Central Pay Harness	
<b>3</b>	203564P	Control Assembly	
<b>4</b>	203361P	Machine ID Control Assembly	Model or serial number is required when ordering
<b>5</b>	37075Q	Control Hood	Bisque
	37075W	Control Hood	White
<b>6</b>	23222	Screw	
<b>7</b>	203843	Pressure Sensor	Mounted here through Serial No. 1806000001; Mounted to mixing valve bracket starting Serial No. 1806000001
<b>8</b>	37020	Rear Hood Panel	
<b>9</b>	M400017	Washer	
<b>10</b>	02916	Screw	
<b>11</b>	44087101	Nut	
<b>12</b>	D501086	Screw	
<b>13</b>	D503661	Screw	
<b>14</b>	202757	Transformer	Models NWNNX2SP125MW01, SWNNX2AP113TW02, SWNNX2AP113TW15, SWNNX2HP113CW15, SWNNX2HP113TW01, SWNNX2HP113TW02, SWNNX2HP113TW04, SWNNX2HP113TW15, SWNNX2HP115CW02, SWNNX2HP115TW01, SWNNX2HP115TW02, SWNNX2PP113TW02, SWNNX2SP113CW02, SWNNX2SP113TW01, SWNNX2SP113TW02, SWNNX2SP115CW02, SWNNX2SP115TW01, SWNNX2SP115TW02 and SWNNZ2SP113NW22
<b>15</b>	203424	Transformer Kit	Model SWNNX2SP543NW23; 240 volt; Includes items 14 and 16
	203423	Transformer Kit	All other models; 120 volt; Includes items 14 and 16
<b>16</b>	804832	Harness	Models NWNNX2SP125MW01, SWNNX2AP113TW02, SWNNX2AP113TW15, SWNNX2HP113CW15, SWNNX2HP113TW01, SWNNX2HP113TW02, SWNNX2HP113TW04, SWNNX2HP113TW15, SWNNX2HP115CW02, SWNNX2HP115TW01, SWNNX2HP115TW02, SWNNX2PP113TW02, SWNNX2SP113CW02, SWNNX2SP113TW01, SWNNX2SP113TW02, SWNNX2SP115CW02, SWNNX2SP115TW01, SWNNX2SP115TW02 and SWNNZ2SP113NW22
<b>17</b>	202469	Control Panel Bumper	
	M400795	Bumper	Extra thick
<b>18</b>	203994	Control Overlay	Models SWNNC2SP115TQ01, SWNNC2SP115TW01, SWNNC2SP115TW02, SWNNE2HP115CW02, SWNNE2SP115CW02, SWNNX2HP115CW02, SWNNX2HP115TW01, SWNNX2HP115TW02, SWNNX2SP115CW02, SWNNX2SP115TW01 and SWNNX2SP115TW02
	204900	Control Overlay	Model NWNNX2SP125MW01
	202952	Control Overlay	All other models
<b>19</b>	210042Q	Control Panel Assembly	Bisque
	210042W	Control Panel Assembly	White
<b>20</b>	52864	Screw	Phillips head
	35528	Screw	Torx head

# Control Panel, Control Hood and Controls (Drawing 3 of 7)

Models SWNWC2HP115TW42, SWNWX2HP113TW15, SWNWX2HP115TW02, SWNWX2SP113TW02 and SWNWX2SP115TW02



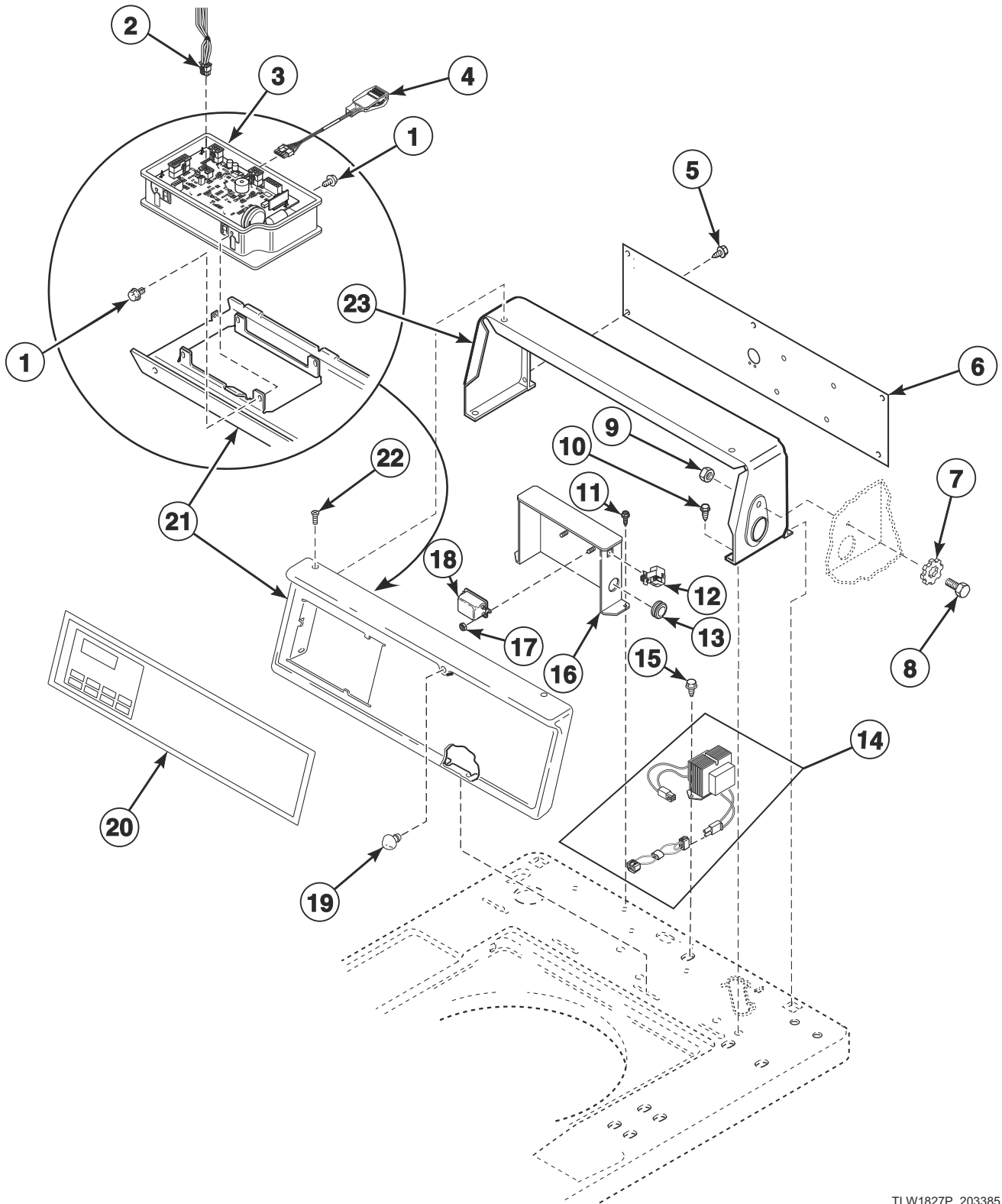
TLW1866P\_203385

## Control Panel, Control Hood and Controls (Drawing 3 of 7)

REF	PART NO.	DESCRIPTION	COMMENTS
	NK320	Ethernet Gateway Kit	Wireless
	NK330	USB Gateway Kit	Wireless
1	804608	Screw	
2	203564P	Control Assembly	
3	805427	Central Pay Harness	
4	F8536002	Wireless Network Board Harness	Through Serial No. 1902000001
	F8674006	Wireless Network Harness	Starting Serial No. 1902000001
5	203361P	Machine ID Control Assembly	Model or serial number is required when ordering
6	203532	Wireless Network Control Assembly	Through Serial No. 1902000001
	807211	Wireless Network Control Assembly	Starting Serial No. 1902000001
7	37075W	Control Hood	
8	23222	Screw	
9	203843	Pressure Sensor	Mounted here through Serial No. 1806000001; Mounted to mixing valve bracket starting Serial No. 1806000001
10	37020	Rear Hood Panel	
11	M400017	Washer	
12	02916	Screw	
13	44087101	Nut	
14	D501086	Screw	
15	D503661	Screw	
16	202757	Transformer	
17	203423	Transformer Kit	Includes items 16 and 18
18	804832	Harness	
19	202469	Control Panel Bumper	
	M400795	Bumper	Extra thick
20	203994	Control Overlay	
21	210042W	Control Panel Assembly	
22	52864	Screw	Phillips head
	35528	Screw	Torx head

# Control Panel, Control Hood and Controls (Drawing 4 of 7)

Models HWNNX2SP123DW01, HWNNX2SP543DW01, NWNNX2SP303ZW01, SWNNX2SP103JW01,  
SWNNX2SP113JW01, SWNNX2SP123DW01, SWNNX2SP303AW01, SWNNX2SP303LW01,  
SWNNX2SP543DW01 and SWNNX2SP543PW01



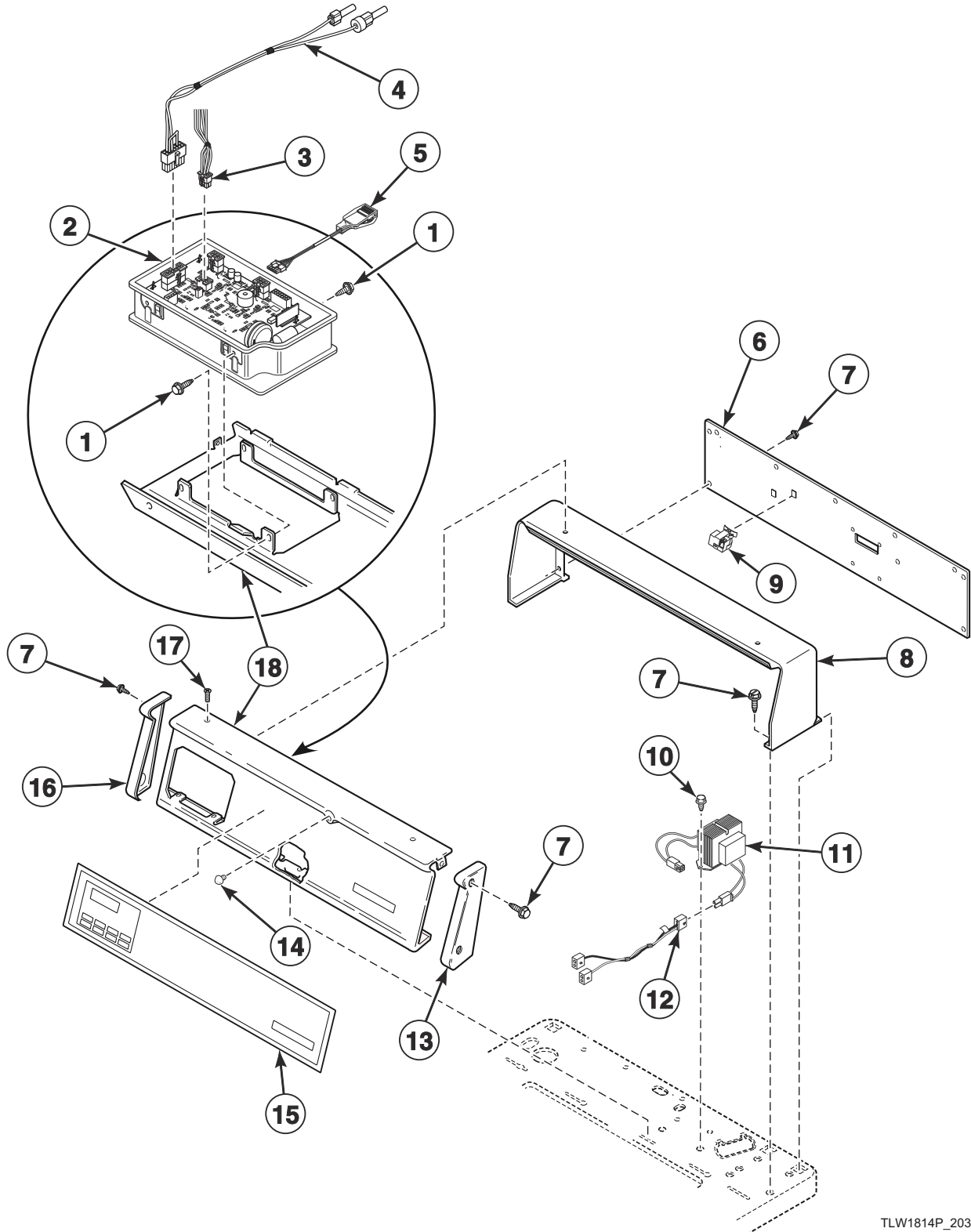
TLW1827P\_203385

## Control Panel, Control Hood and Controls (Drawing 4 of 7)

REF	PART NO.	DESCRIPTION	COMMENTS
	203328	Network Retrofit Kit	Wired
	NK220	Network Controller Kit	Wired
	203889	Wireless Network Kit	Through Serial No. 1902000001
	204689	Wireless Network Kit	Starting Serial No. 1902000001
	NK320	Ethernet Gateway Kit	Wireless
	NK330	USB Gateway Kit	Wireless
	804724	Cable Tie	Used to fix power cord to junction box
<b>1</b>	804608	Screw	
<b>2</b>	805427	Central Pay Harness	
<b>3</b>	203564P	Control Assembly	
<b>4</b>	203361P	Machine ID Control Assembly	Model or serial number is required when ordering
<b>5</b>	23222	Screw	
<b>6</b>	202465	Hood Back Panel	
<b>7</b>	M400017	Washer	
<b>8</b>	02916	Screw	
<b>9</b>	44087101	Nut	
<b>10</b>	D501086	Screw	
<b>11</b>	800258	Screw	
<b>12</b>	203843	Pressure Sensor	Mounted here through Serial No. 1806000001; Mounted to mixing valve bracket starting Serial No. 1806000001
<b>13</b>	80262	Grommet	
<b>14</b>	203423	Transformer Kit	120 volt; Models HWNNX2SP123DW01, SWNNX2SP103JW01, SWNNX2SP113JW01 and SWNNX2SP123DW01
	203424	Transformer Kit	240 volt; All other models
<b>15</b>	D503661	Screw	
<b>16</b>	203068	Junction Box	
<b>17</b>	29787	Nut	
<b>18</b>	804864	Line Filter	
<b>19</b>	202469	Control Panel Bumper	
	M400795	Bumper	Extra thick
<b>20</b>	203076	Control Overlay	Models HWNNX2SP123DW01 and HWNNX2SP543DW01
	204900	Control Overlay	Model NWNNX2SP303ZW01
	202952	Control Overlay	All other models
<b>21</b>	210042W	Control Panel Assembly	
<b>22</b>	52864	Screw	Phillips head
	35528	Screw	Torx head
<b>23</b>	37075W	Control Hood	

# Control Panel, Control Hood and Controls (Drawing 5 of 7)

Models HWNNY2HP113CW01, HWNNY2HP113CW04, HWNNY2SP113CW01, HWNNY2SP115CW01,  
SWNNY2AP113TW01, SWNNY2AP113TW04, SWNNY2HP113CW04, SWNNY2HP113TW01,  
SWNNY2HP113TW04, SWNNY2HP115CW01, SWNNY2HP115TW01, SWNNY2PP113TW01,  
SWNNY2SP113CW01, SWNNY2SP113TW01, SWNNY2SP115CW01, SWNNY2SP115TW01 and  
SWNNY2SP303NW22



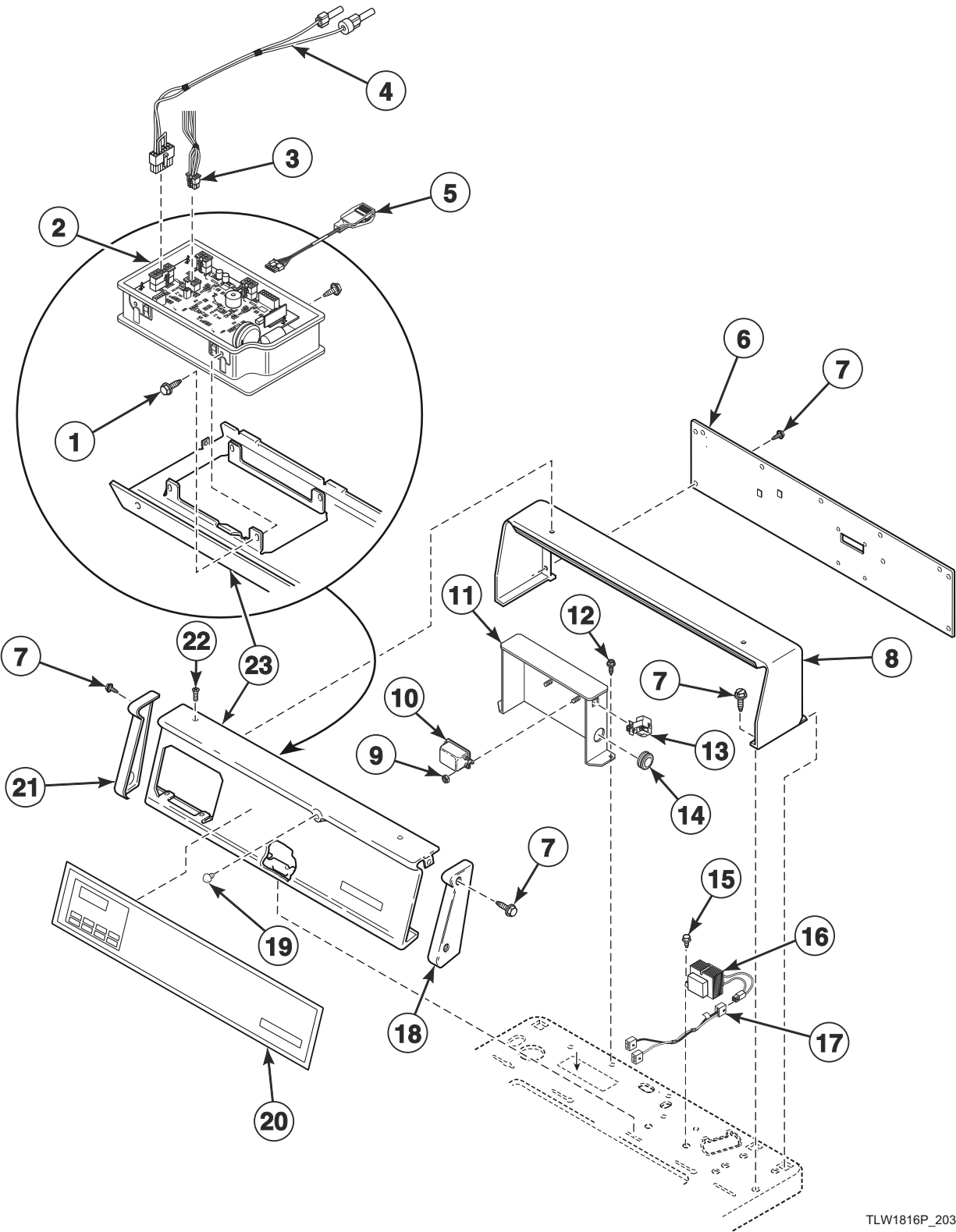
TLW1814P\_203385

## Control Panel, Control Hood and Controls (Drawing 5 of 7)

REF	PART NO.	DESCRIPTION	COMMENTS
	203328	Network Retrofit Kit	Wired
	NK220	Network Controller Kit	Wired
	203889	Wireless Network Kit	Through Serial No. 1902000001
	204689	Wireless Network Kit	Starting Serial No. 1902000001
	NK320	Ethernet Gateway Kit	Wireless
	NK330	USB Gateway Kit	Wireless
<b>1</b>	804608	Screw	
<b>2</b>	203564P	Control Assembly	
<b>3</b>	805427	Central Pay Harness	
<b>4</b>	202869	Wiring Harness Assembly	Diagnostic
<b>5</b>	203361P	Machine ID Control Assembly	Model or serial number is required when ordering
<b>6</b>	210143	Rear Panel	
<b>7</b>	D501086	Screw	
<b>8</b>	210142W	Control Hood	
<b>9</b>	203843	Pressure Sensor	Mounted here through Serial No. 1806000001; Mounted to mixing valve bracket starting Serial No. 1806000001
<b>10</b>	D503661	Screw	
<b>11</b>	202758	Transformer	Model SWNNY2SP303NW22
	202757	Transformer	All other models
<b>12</b>	203244	Harness	Model SWNNY2SP303NW22
	804832	Harness	All other models
<b>13</b>	210108W	End Cap	Right
<b>14</b>	202469	Control Panel Bumper	
	M400795	Bumper	Extra thick
<b>15</b>	202973	Control Overlay	Models HWNNY2HP113CW01, HWNNY2HP113CW04 and HWNNY2SP113CW01
	203998	Control Overlay	Model HWNNY2SP115CW01
	203996	Control Overlay	Models SWNNY2HP115CW01, SWNNY2HP115TW01, SWNNY2SP115CW01 and SWNNY2SP115TW01
	202951	Control Overlay	All other models
<b>16</b>	210109W	End Cap	Left
<b>17</b>	52864	Screw	
<b>18</b>	210137W	Control Panel Assembly	

# Control Panel, Control Hood and Controls (Drawing 6 of 7)

Model SWNNY2SP303UW01



TLW1816P\_203385

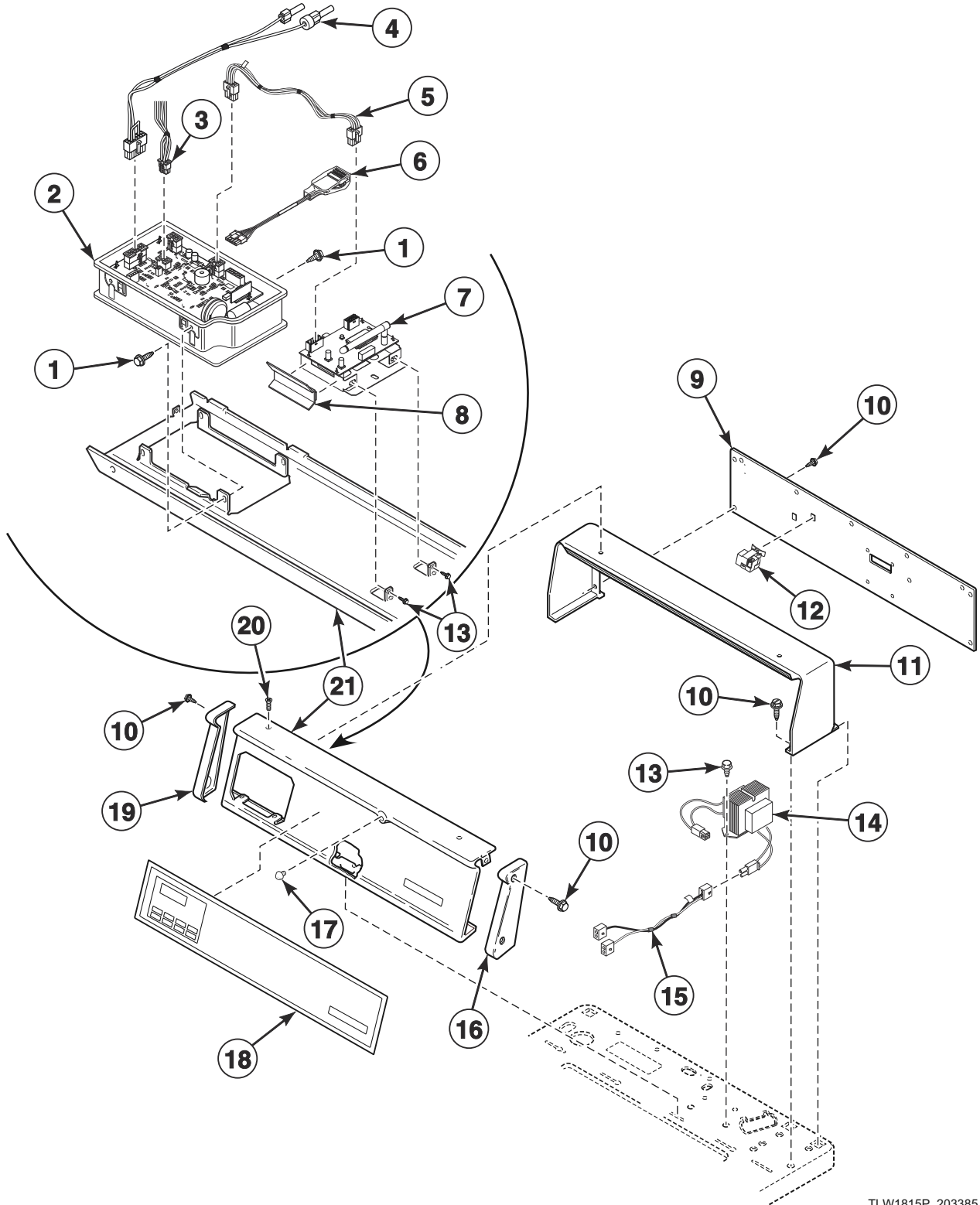


## Control Panel, Control Hood and Controls (Drawing 6 of 7)

REF	PART NO.	DESCRIPTION	COMMENTS
	203328	Network Retrofit Kit	Wired
	NK220	Network Controller Kit	Wired
	203889	Wireless Network Kit	Through Serial No. 1902000001
	204689	Wireless Network Kit	Starting Serial No. 1902000001
	NK320	Ethernet Gateway Kit	Wireless
	NK330	USB Gateway Kit	Wireless
	804724	Cable Tie	Used to fix power cord to junction box
<b>1</b>	804608	Screw	
<b>2</b>	203564P	Control Assembly	
<b>3</b>	805427	Central Pay Harness	
<b>4</b>	202869	Wiring Harness Assembly	Diagnostic
<b>5</b>	203361P	Machine ID Control Assembly	Model or serial number is required when ordering
<b>6</b>	210143	Rear Panel	
<b>7</b>	D501086	Screw	
<b>8</b>	210142W	Control Hood	
<b>9</b>	29787	Nut	
<b>10</b>	804864	Line Filter	
<b>11</b>	203068	Junction Box	
<b>12</b>	800258	Screw	
<b>13</b>	203843	Pressure Sensor	Mounted here through Serial No. 1806000001; Mounted to mixing valve bracket starting Serial No. 1806000001
<b>14</b>	80262	Grommet	
<b>15</b>	D503661	Screw	
<b>16</b>	202758	Transformer	
<b>17</b>	203244	Harness	
<b>18</b>	210108W	End Cap	Right
<b>19</b>	202469	Control Panel Bumper	
	M400795	Bumper	Extra thick
<b>20</b>	203245	Overlay	
<b>21</b>	210109W	End Cap	Left
<b>22</b>	52864	Screw	
<b>23</b>	210137W	Control Panel Assembly	

# Control Panel, Control Hood and Controls (Drawing 7 of 7)

Models SWNWX2SP303BW01, SWNWX2AP113TW01, SWNWX2AP113TW04, SWNWX2HP113TW01, SWNWX2HP113TW04, SWNWX2HP115TW01, SWNWX2HP115TW41, SWNWX2SP113TW01 and SWNWX2SP115TW01



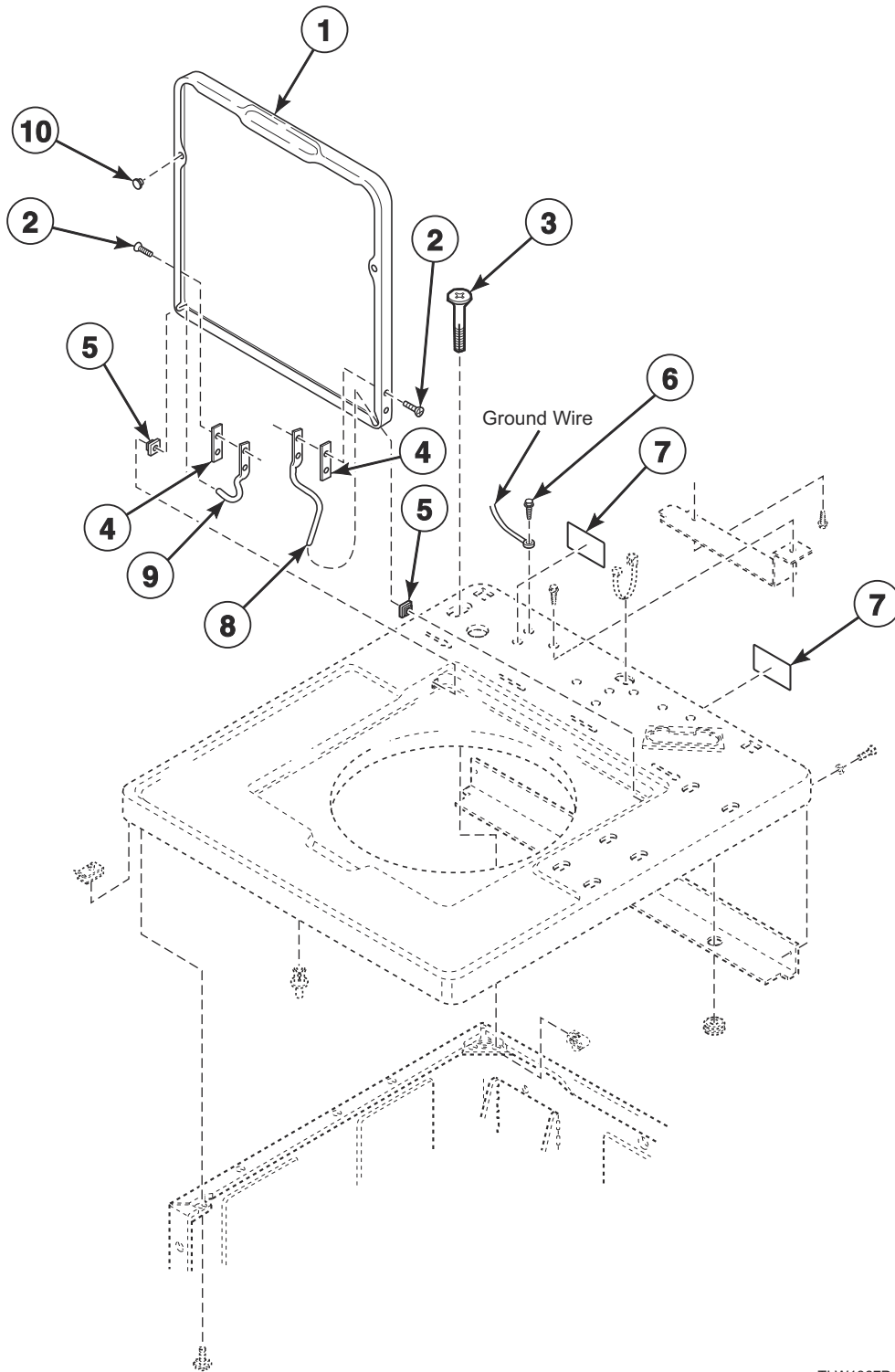
TLW1815P\_203385

## Control Panel, Control Hood and Controls (Drawing 7 of 7)

REF	PART NO.	DESCRIPTION	COMMENTS
	NK320	Ethernet Gateway Kit	Wireless
	NK330	USB Gateway Kit	Wireless
1	D503661	Screw	Model SWNWX2SP303BW01
	804608	Screw	All other models
2	807211	Wireless Network Control Assembly	Model SWNWX2SP303BW01
	203564P	Control Assembly	All other models
3	805427	Central Pay Harness	
4	202869	Wiring Harness Assembly	Diagnostic
5	F8536002	Wireless Network Board Harness	Through Serial No. 1902000001
	F8674006	Wireless Network Harness	Starting Serial No. 1902000001
6	203361P	Machine ID Control Assembly	Model or serial number is required when ordering
7	203532	Wireless Network Control Assembly	Through Serial No. 1902000001
	807211	Wireless Network Control Assembly	Starting Serial No. 1902000001
8	D501441	Electronic Control Shield	Used through Serial Nos. beginning 1607
9	210143	Rear Panel	
10	D501086	Screw	
11	210142W	Control Hood	
12	203843	Pressure Sensor	Mounted here through Serial No. 1806000001; Mounted to mixing valve bracket starting Serial No. 1806000001
13	D503661	Screw	
14	202757	Transformer	
15	804832	Harness	
16	210108W	End Cap	Right
17	202469	Control Panel Bumper	
	M400795	Bumper	Extra thick
18	203996	Control Overlay	Models SWNWX2HP115TW01, SWNWX2HP115TW41 and SWNWX2SP115TW01
	204988	Control Overlay	Model SWNWX2SP303BW01
	202951	Control Overlay	All other models
19	210109W	End Cap	Left
20	52864	Screw	
21	210137W	Control Panel Assembly	

# Lid

All Models Except SWNNY2SP303UW01



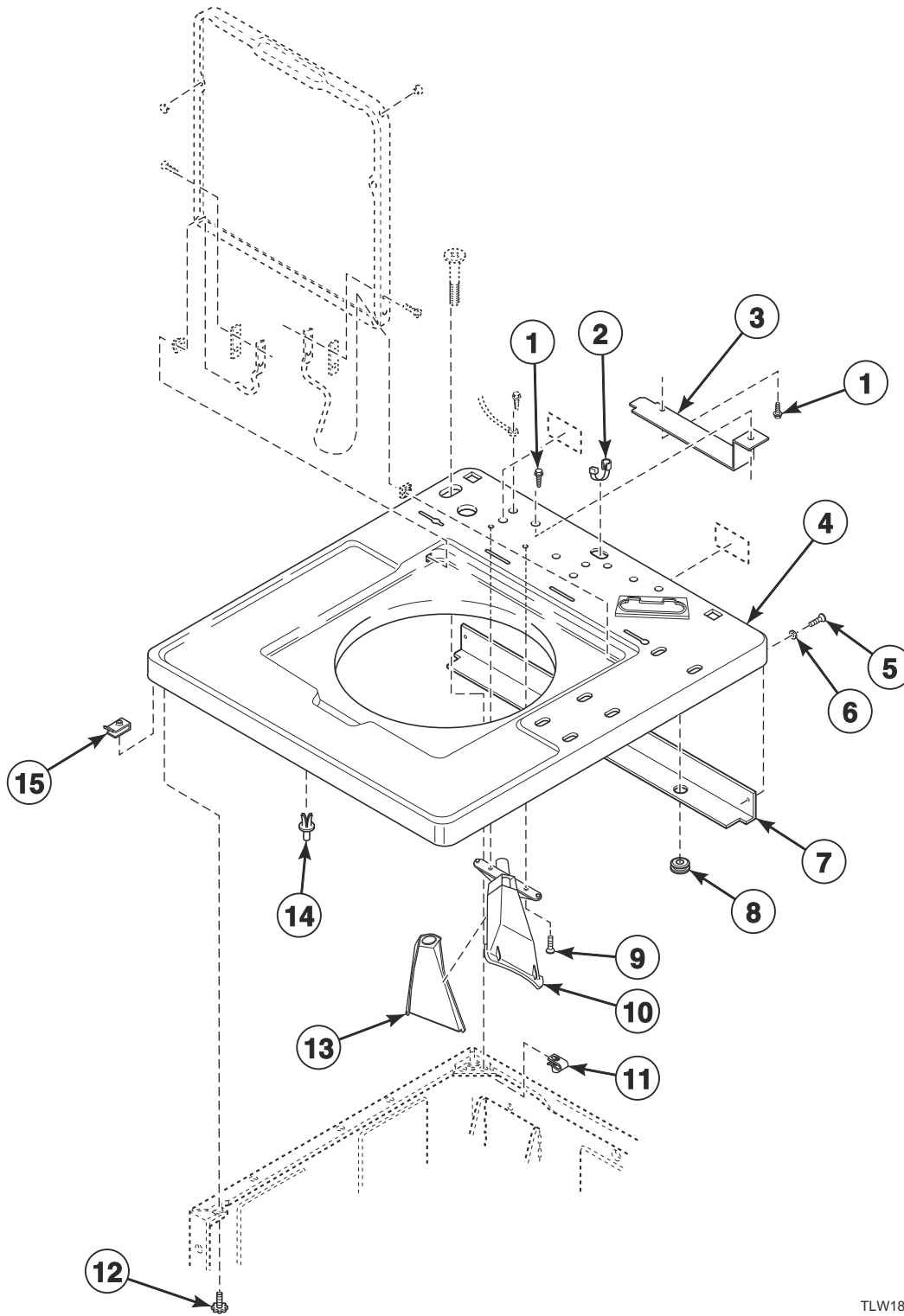
TLW1867P\_203385

# Lid

REF	PART NO.	DESCRIPTION	COMMENTS
1	204615W	Lid	
	203045	Lid Warning Label	
2	34337	Screw	
3	D503673	Screw	Optional; For added security
4	34338	Hinge Gasket	
5	33446	Bushing	
6	52909	Screw	
7	D500316	Warning Label	English/French
	F8614201	Shock Warning Label	Icon
	D505281	Disconnect Power Warning Label	English
8	36437	Lid Hinge	Right
9	36438	Lid Hinge	Left
10	21685	Bumper	

# Cabinet Top

All Models Except SWNNY2SP303UW01



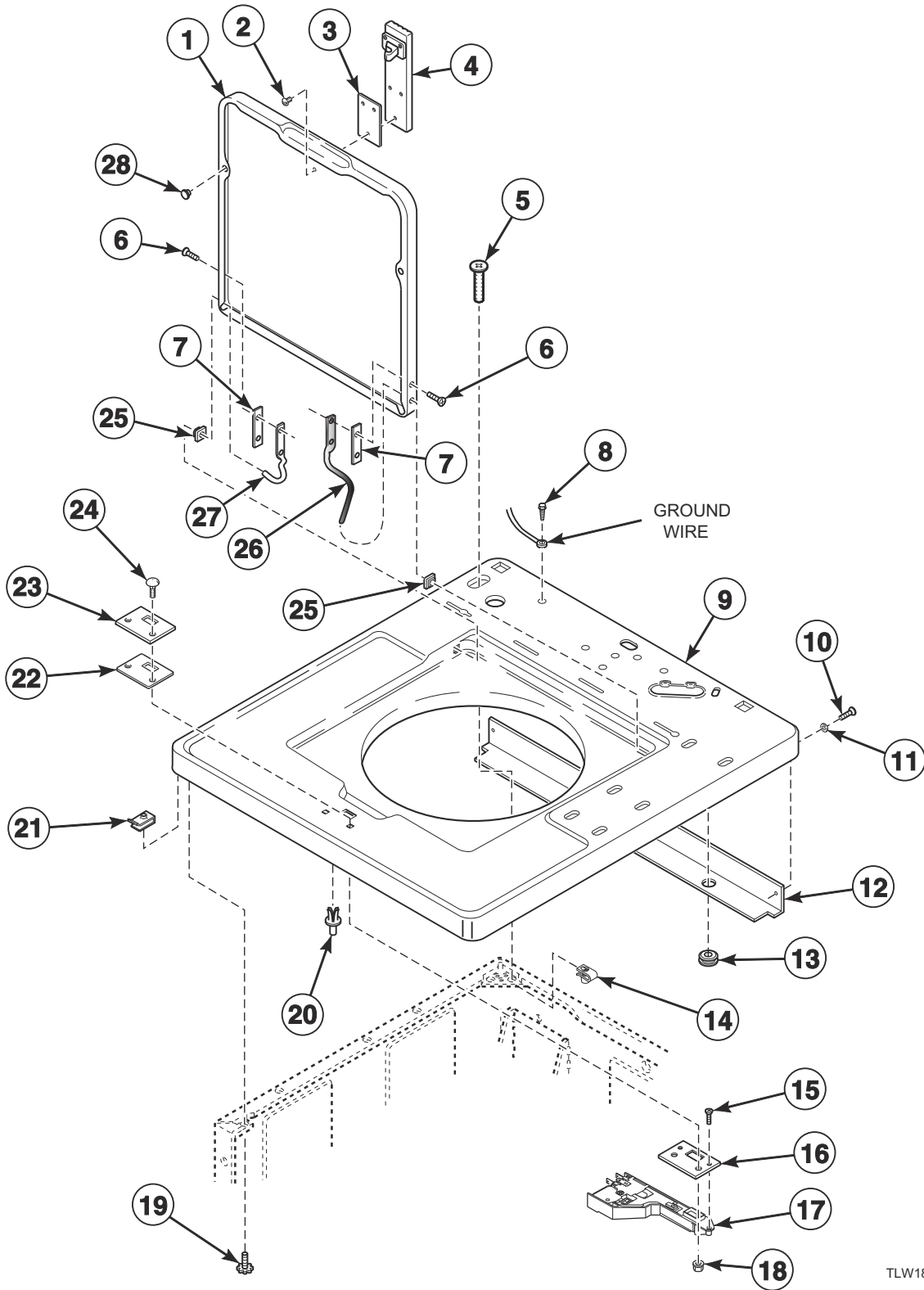
TLW1832PA\_203385

# Cabinet Top

REF	PART NO.	DESCRIPTION	COMMENTS
1	23962	Screw	
2	38384	Strain Relief	
3	202083	Bracket	All models except HWNNX2SP123DW01, HWNNX2SP543DW01, NWNNX2SP303ZW01, SWNNX2SP103JW01, SWNNX2SP113JW01, SWNNX2SP123DW01, SWNNX2SP303AW01, SWNNX2SP303LW01, SWNNX2SP543DW01, SWNNX2SP543PW01 and SWNWX2SP303BW01
4	210173WP	Top Assembly	Models HWNNY2HP113CW01, HWNNY2HP113CW04, HWNNY2SP113CW01, HWNNY2SP115CW01, SWNNY2AP113TW01, SWNNY2AP113TW04, SWNNY2HP113CW04, SWNNY2HP113TW01, SWNNY2HP113TW04, SWNNY2HP115CW01, SWNNY2HP115TW01, SWNNY2PP113TW01, SWNNY2SP113CW01, SWNNY2SP113TW01, SWNNY2SP115CW01, SWNNY2SP115TW01, SWNNY2SP303NW22, SWNWX2AP113TW01, SWNWX2AP113TW04, SWNWX2HP113TW01, SWNWX2HP113TW04, SWNWX2HP115TW01, SWNWX2HP115TW41, SWNWX2SP113TW01 and SWNWX2SP115TW01
	39167QP	Top	Bisque; All other models
	39167WP	Top	White; All other models
5	431287	Screw	Models HWNNX2SP123DW01, HWNNX2SP543DW01, NWNNX2SP303ZW01, SWNNX2SP103JW01, SWNNX2SP113JW01, SWNNX2SP123DW01, SWNNX2SP303AW01, SWNNX2SP303LW01, SWNNX2SP543DW01, SWNNX2SP543PW01 and SWNWX2SP303BW01
6	39249	Washer	Models HWNNX2SP123DW01, HWNNX2SP543DW01, NWNNX2SP303ZW01, SWNNX2SP103JW01, SWNNX2SP113JW01, SWNNX2SP123DW01, SWNNX2SP303AW01, SWNNX2SP303LW01, SWNNX2SP543DW01, SWNNX2SP543PW01 and SWNWX2SP303BW01
7	203947	Top Shield	Models HWNNX2SP123DW01, HWNNX2SP543DW01, NWNNX2SP303ZW01, SWNNX2SP103JW01, SWNNX2SP113JW01, SWNNX2SP123DW01, SWNNX2SP303AW01, SWNNX2SP303LW01, SWNNX2SP543DW01, SWNNX2SP543PW01 and SWNWX2SP303BW01
8	80262	Grommet	Models HWNNX2SP123DW01, HWNNX2SP543DW01, NWNNX2SP303ZW01, SWNNX2SP103JW01, SWNNX2SP113JW01, SWNNX2SP123DW01, SWNNX2SP303AW01, SWNNX2SP303LW01, SWNNX2SP543DW01, SWNNX2SP543PW01 and SWNWX2SP303BW01
9	23962	Screw	
10	203509	Inlet Deflector	
11	27222	Nut	Optional; For added security
12	23008	Screw	
13	202894	Inlet Cover	
14	56534	Support Barrel	
15	36020	Nut	

# Lid, Lid Lock and Cabinet Top

Model SWNNY2SP303UW01



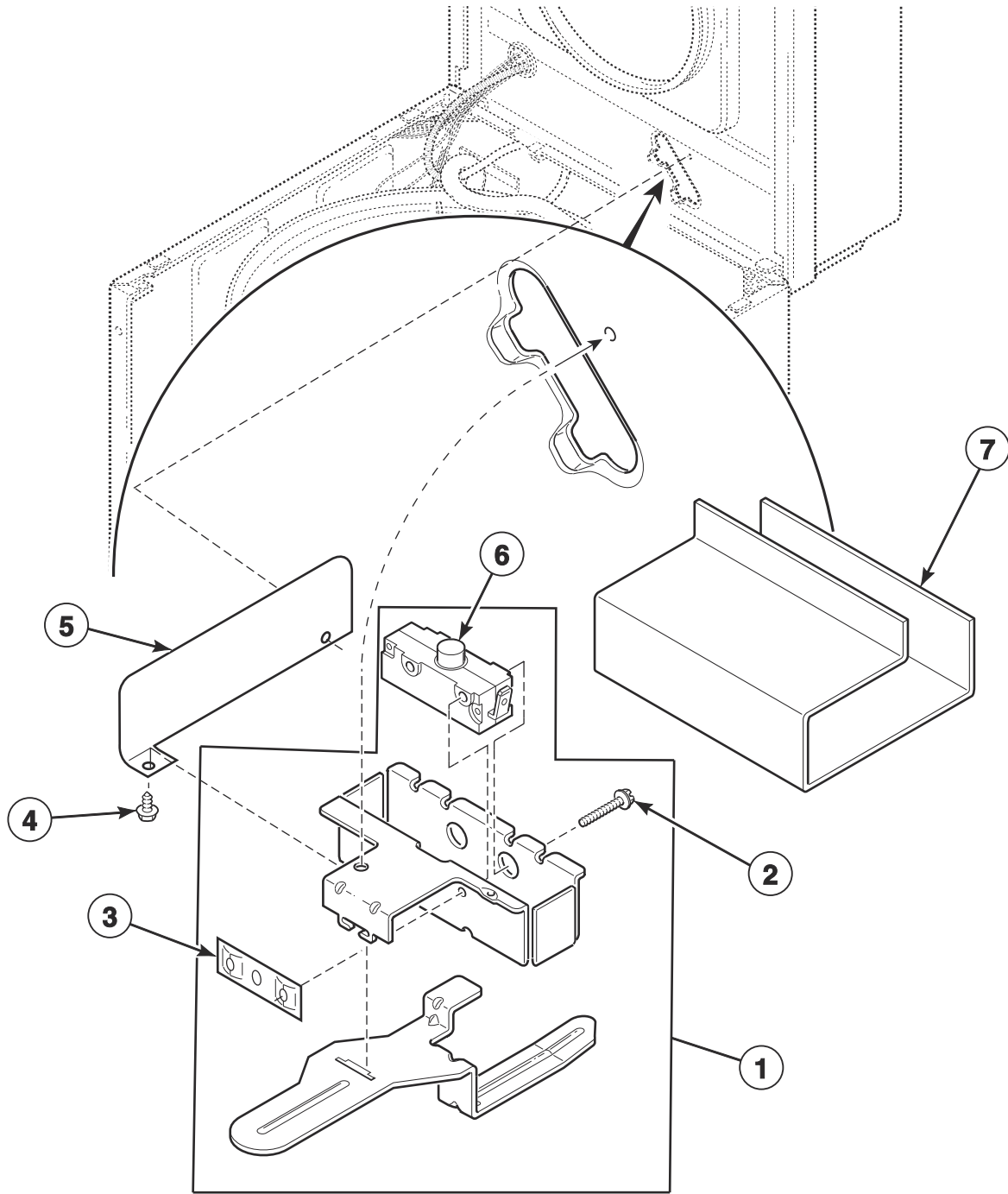
TLW1817P\_203385



## Lid, Lid Lock and Cabinet Top

REF	PART NO.	DESCRIPTION	COMMENTS
	837P3	Lid Lock Kit	Includes items 4, 15 and 17
1	200892WP	Lid	
	203045	Lid Warning Label	
2	201415	Screw	
3	201414	Door Lock Spacer	
4	201307P	Lid Lock Catch Assembly	Includes item 3
5	D503673	Screw	Optional; For added security
6	34337	Screw	
7	34338	Hinge Gasket	
8	52909	Screw	
9	203316W	Top	
10	431287	Screw	
11	39249	Washer	
12	39744	Top Shield	
13	80262	Grommet	
14	27222	Nut	Optional; For added security
15	202623	Screw	
16	29676	Switch Mounting Plate	
17	202434	Lid Lock	
18	22001	Nut	
19	23008	Screw	
20	56534	Support Barrel	
21	36020	Nut	
22	30378	Lid Lock Gasket	
23	37828P	Cover Plate	
24	32184	Bolt	
25	33446	Bushing	
26	36437	Lid Hinge	Right
27	36438	Lid Hinge	Left
28	21685	Bumper	

# Lid Switch

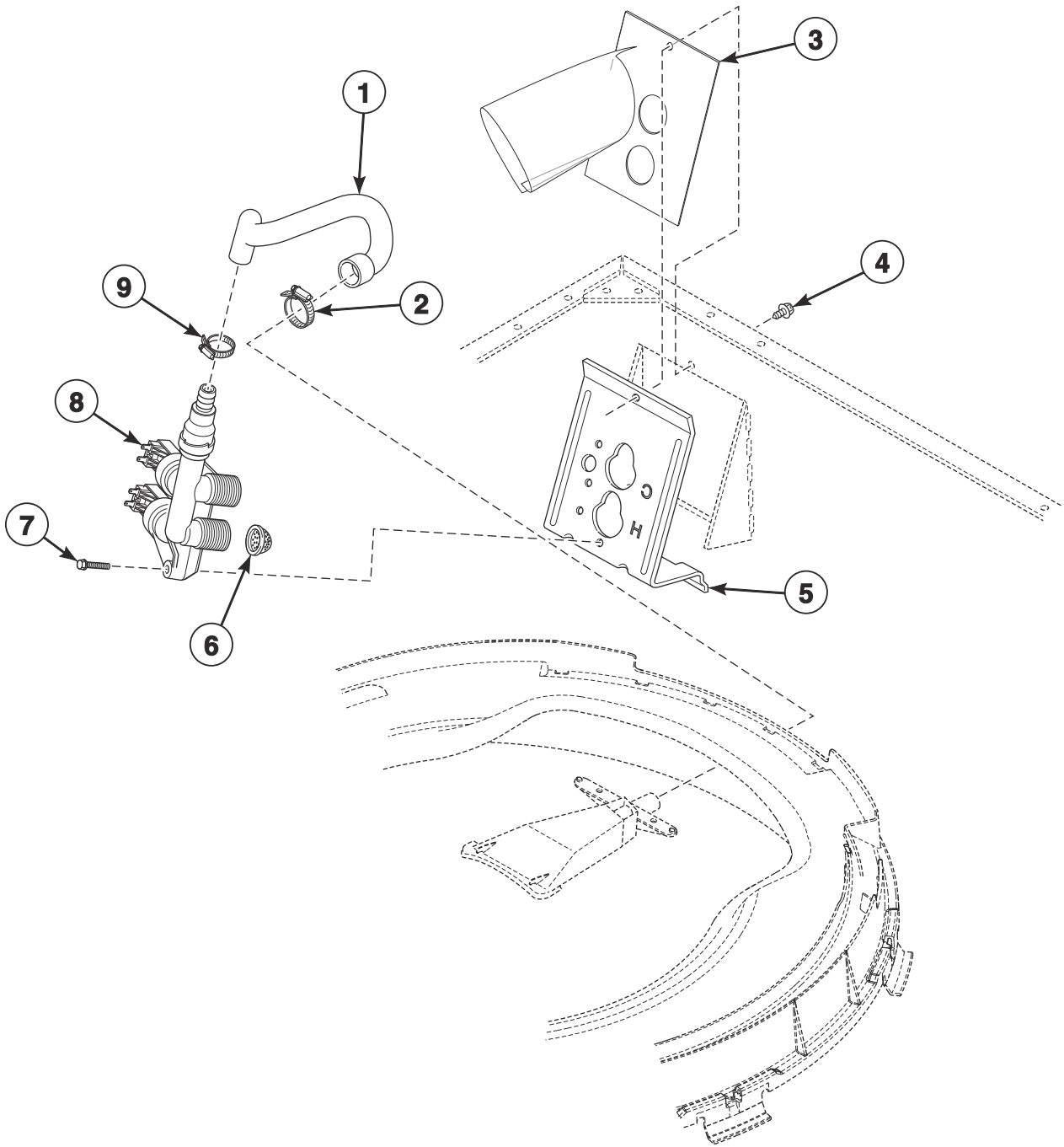


TLW1803P\_203385

# Lid Switch

REF	PART NO.	DESCRIPTION	COMMENTS
1	204791	Lid Switch Assembly	
2	M402574	Screw	
3	M400981	Nut	
4	23962	Screw	
5	202697	Lid Switch Shield	Models HWNNX2SP123DW01, HWNNX2SP543DW01, NWNNX2SP303ZW01, SWNNX2SP103JW01, SWNNX2SP113JW01, SWNNX2SP123DW01, SWNNX2SP303AW01, SWNNX2SP303LW01, SWNNX2SP543DW01, SWNNX2SP543PW01, SWNNY2SP303UW01 and SWNWX2SP303BW01; Through Serial No. 181000001
6	33445	Switch	
7	204538	Lid Switch Drip Shield	Models HWNNX2SP123DW01, HWNNX2SP543DW01, NWNNX2SP303ZW01, SWNNX2SP103JW01, SWNNX2SP113JW01, SWNNX2SP123DW01, SWNNX2SP303AW01, SWNNX2SP303LW01, SWNNX2SP543DW01, SWNNX2SP543PW01, SWNNY2SP303UW01 and SWNWX2SP303BW01

# Mixing Valve-to-Tub Cover Hose and Mixing Valve

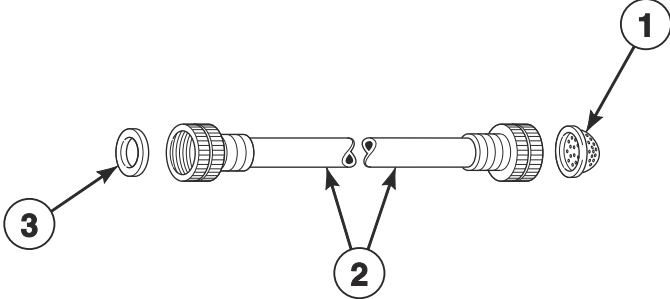


TLW1836P\_203385

## Mixing Valve-to-Tub Cover Hose and Mixing Valve

REF	PART NO.	DESCRIPTION	COMMENTS
	202884	Valve to Inlet Hose	Through Serial No. 1810000001
	204400	Valve to Inlet Hose	Starting Serial No. 1810000001
<b>2</b>	800803	Hose Clamp	
<b>3</b>	202899	Mixing Valve Shield	Models HWNNX2SP123DW01, HWNNX2SP543DW01, NWNNX2SP303ZW01, SWNNX2SP103JW01, SWNNX2SP113JW01, SWNNX2SP123DW01, SWNNX2SP303AW01, SWNNX2SP303LW01, SWNNX2SP543DW01, SWNNX2SP543PW01, SWNNY2SP303UW01 and SWNWX2SP303BW01
<b>4</b>	33562	Screw	
<b>5</b>	204117	Mixing Valve Mounting Bracket	Through Serial No. 1810000001
	203558	Mixing Valve Mounting Bracket	Starting Serial No. 1810000001; Pressure sensor mounted here
<b>6</b>	24122	Mixing Valve Screen	
<b>7</b>	39397	Screw	
<b>8</b>	202396P	Mixing Valve	Models HWNNX2SP543DW01, NWNNX2SP303ZW01, SWNNX2SP303AW01, SWNNX2SP303LW01, SWNNX2SP543DW01, SWNNX2SP543NW23, SWNNX2SP543PW01, SWNNY2SP303NW22, SWNNY2SP303UW01 and SWNWX2SP303BW01 through Serial No. 1810000001
	203742	Mixing Valve	Models HWNNX2SP543DW01, NWNNX2SP303ZW01, SWNNX2SP303AW01, SWNNX2SP303LW01, SWNNX2SP543DW01, SWNNX2SP543NW23, SWNNX2SP543PW01, SWNNY2SP303NW22, SWNNY2SP303UW01 and SWNWX2SP303BW01 starting Serial No. 1810000001
	203927	Mixing Valve	Models SWNNX2SP103JW01 and SWNNX2SP113JW01 starting Serial No. 1810000001
	202395P	Mixing Valve	All other models through Serial No. 1810000001
	203741	Mixing Valve	All other models starting Serial No. 1810000001
<b>9</b>	36801	Hose Clamp	

# Fill Hose

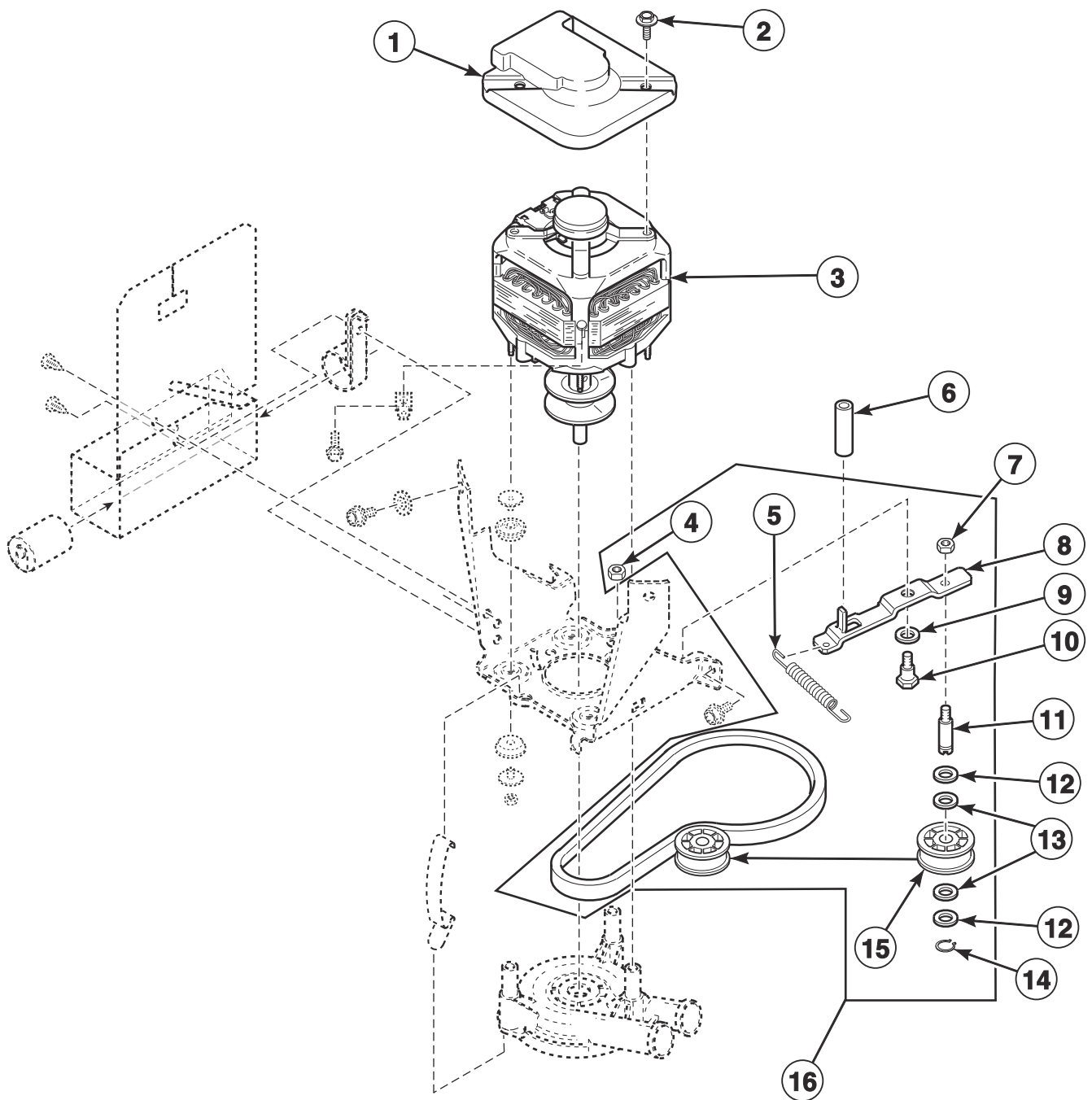


TLW1833P\_203385

## Fill Hose

REF	PART NO.	DESCRIPTION	COMMENTS
1	803615	Washer	Filter screen
	802254	Washer	Flow restrictor; Water pressure reducer; Available for water pressure up to but not exceeding 120 psi
2	203720	Fill Hose	Marked for cold water; 4 feet; 2 GHT thread hose couplings
	203719	Fill Hose	Marked for hot water; 4 feet; 2 GHT thread hose couplings
	203750	Fill Hose	Marked for cold water; 4 feet; 1 GHT thread and 1 BSPP thread hose coupling
	203718	Fill Hose	Marked for hot water; 4 feet; 1 GHT thread and 1 BSPP thread hose coupling
	204103	Fill Hose	Marked for cold water; 4 feet; 2 BSPP thread hose couplings
	204102	Fill Hose	Marked for hot water; 4 feet; 2 BSPP thread hose couplings
3	20290	Washer	

# Motor, Belt, Pump and Idler Assembly (Drawing 1 of 2)



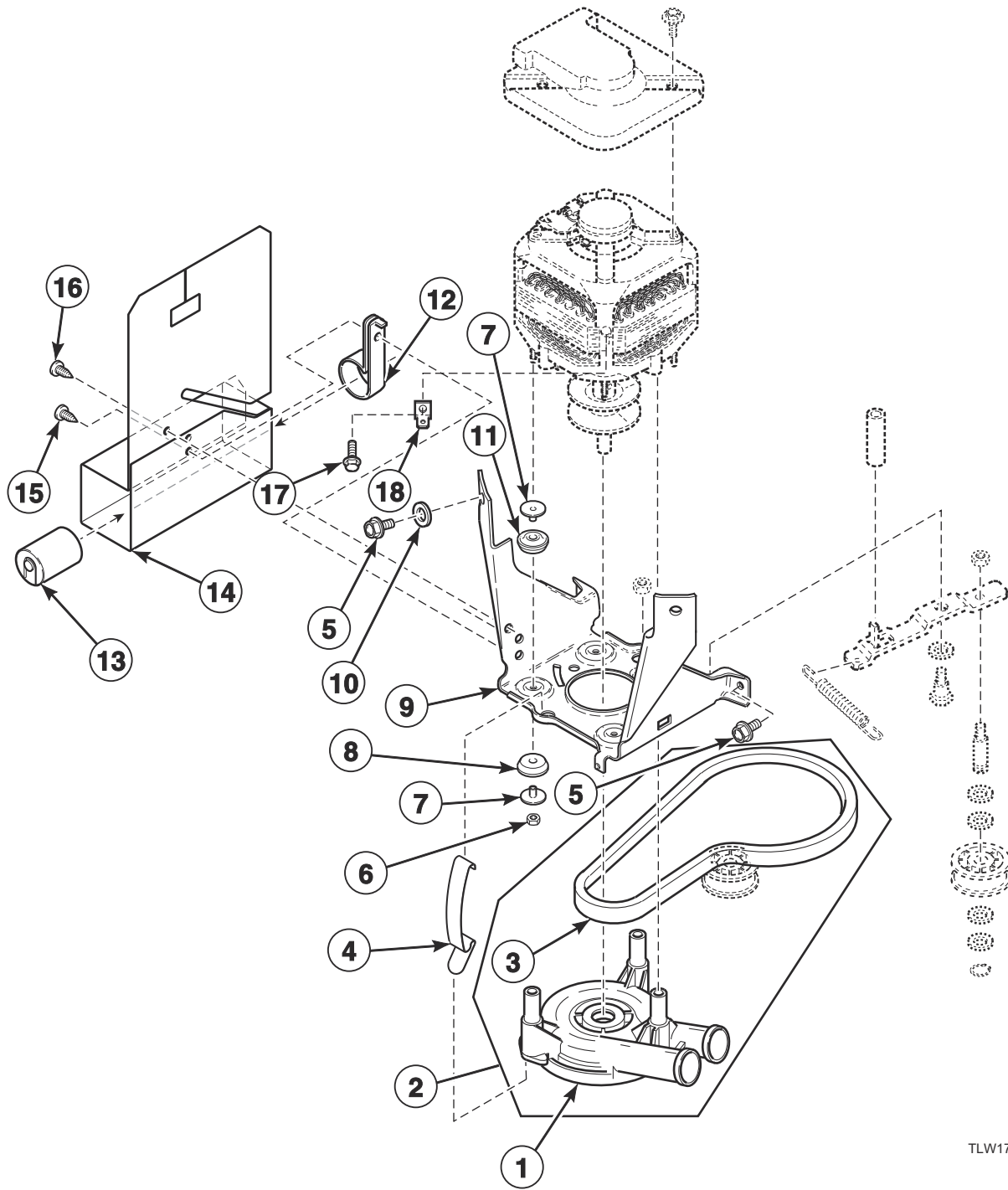
TLW1768P\_203385



## Motor, Belt, Pump and Idler Assembly (Drawing 1 of 2)

REF	PART NO.	DESCRIPTION	COMMENTS
1	34754	Motor Shield	
2	36639	Screw	
3	202544P	Motor Assembly	220-240 Volt/50 Hertz; 2 speed; Models NWNNX2SP303ZW01, SWNNX2SP303AW01, SWNNX2SP303LW01, SWNNY2SP303NW22, SWNNY2SP303UW01 and SWNWX2SP303BW01
	202960	Motor Assembly	240 Volt/60 Hertz; 2 speed; Models HWNNX2SP543DW01, SWNNX2SP543DW01, SWNNX2SP543NW23 and SWNNX2SP543PW01
	202971	Motor Assembly	127 Volt/60 Hertz; 2 speed; Models HWNNX2SP123DW01 and SWNNX2SP123DW01
	38034P	Motor Kit	115 Volt/60 Hertz; 2 speed; All other models
4	52566	Nut	
5	201189	Idler Lever Spring	Models NWNNX2SP303ZW01, SWNNX2SP303AW01, SWNNX2SP303LW01, SWNNY2SP303NW22, SWNNY2SP303UW01 and SWNWX2SP303BW01
	202032	Idler Lever Spring	All other models
6	202333	Tube	Models NWNNX2SP303ZW01, SWNNX2SP303AW01, SWNNX2SP303LW01 and SWNWX2SP303BW01
7	28803	Nut	
8	38011	Idler Lever	
9	81392	Washer	
10	27229	Screw	
11	210186	Idler Shaft	Included in item 16
12	D504082	Washer	
13	52549	Washer	Nylatron
14	23748	Retaining Ring	
15	38225P	Idler Pulley	
16	202972	Idler Lever and Belt Kit	Includes items 4, 5, 7-15 and belt; Models NWNNX2SP303ZW01, SWNNX2SP303AW01, SWNNX2SP303LW01, SWNNY2SP303NW22, SWNNY2SP303UW01 and SWNWX2SP303BW01
	959P3	Idler Lever Kit	Includes items 4-6, 8-15 and belt; All other models

# Motor, Belt, Pump and Idler Assembly (Drawing 2 of 2)

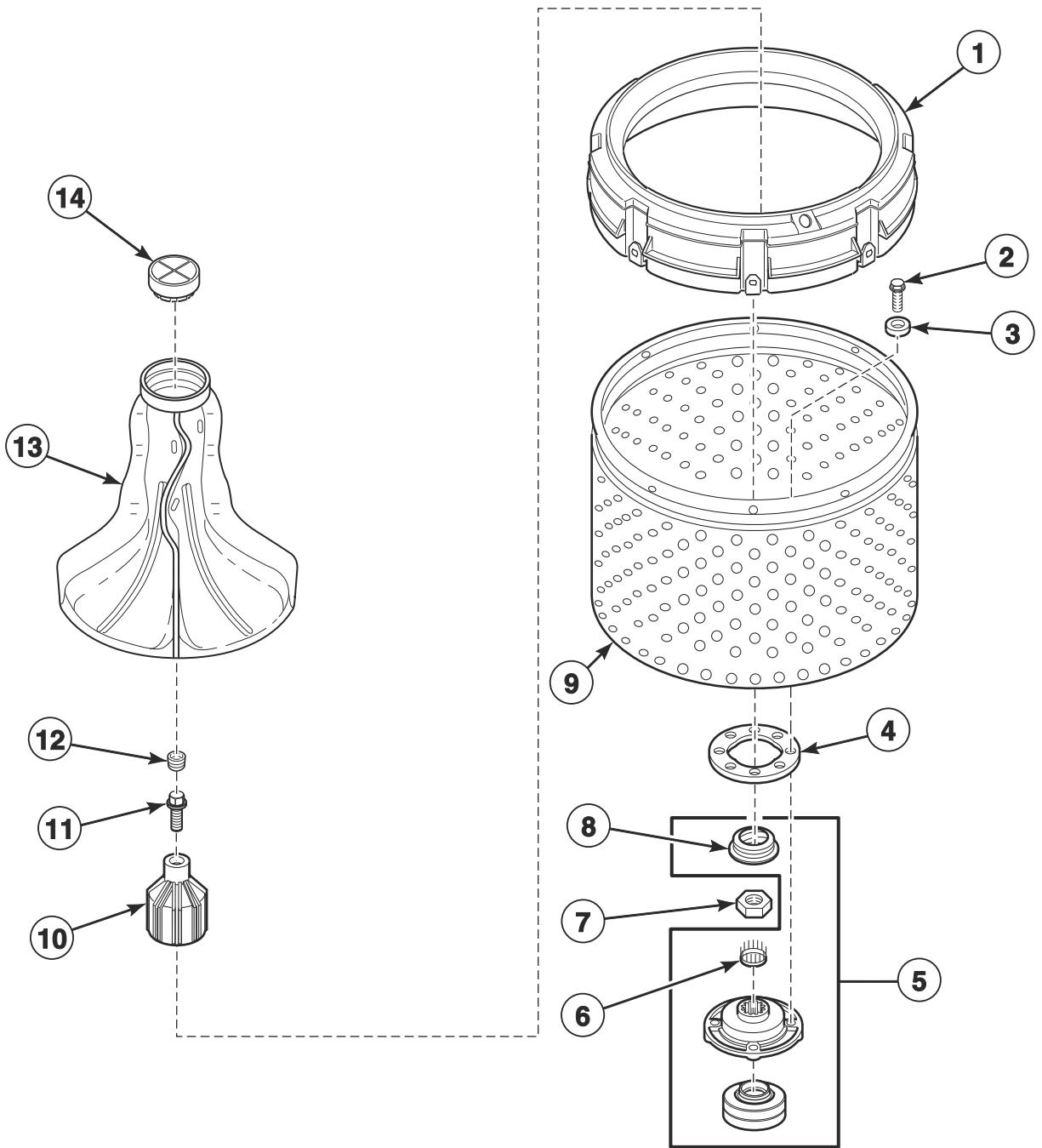


TLW1768PA\_203385

## Motor, Belt, Pump and Idler Assembly (Drawing 2 of 2)

REF	PART NO.	DESCRIPTION	COMMENTS
1	201566P	Pump	
	201442P	Pump Assembly	Heavy duty
2	RB150003	Belt and Pump Kit	Includes items 1 and 3 (38174 Belt)
3	200923	Agitate and Spin Belt	Models NWNNX2SP303ZW01, SWNNX2SP303AW01, SWNNX2SP303LW01, SWNNY2SP303NW22, SWNNY2SP303UW01 and SWNWX2SP303BW01
	38174	Agitate and Spin Belt	All other models
4	210202	Spring Clip	
5	35369	Screw	
6	35423	Nut	
7	38325	Isolator Post	
8	204062	Isolator Assembly	
9	200941	Motor Mount Bracket	
10	37772	Washer	
11	204449	Motor Mount	
12	37535	Capacitor Clamp	All models except HWNNX2SP543DW01 and SWNNX2SP543DW01
13	203140	Capacitor	Models HWNNX2SP543DW01, NWNNX2SP303ZW01, SWNNX2SP303AW01, SWNNX2SP303LW01, SWNNX2SP543DW01, SWNNX2SP543PW01, SWNNY2SP303UW01 and SWNWX2SP303BW01
	39259P	Capacitor and Clamp Kit	Models SWNNX2SP543NW23 and SWNNY2SP303NW22
	203141	Capacitor	Models HWNNX2SP123DW01, SWNNX2SP103JW01, SWNNX2SP113JW01 and SWNNX2SP123DW01
	37377	Capacitor	All other models
14	203053	Motor Drip Shield	Through Serial No. 1811000001
15	52909	Screw	
16	203978	Screw	
17	20530	Screw	Models NWNNX2SP303ZW01, SWNNX2SP303AW01, SWNNX2SP303LW01, SWNNY2SP303NW22, SWNNY2SP303UW01 and SWNWX2SP303BW01
18	00177	Male Tab Terminal	Models NWNNX2SP303ZW01, SWNNX2SP303AW01, SWNNX2SP303LW01, SWNNY2SP303NW22, SWNNY2SP303UW01 and SWNWX2SP303BW01

# Agitator, Drive Bell, Hub and Lip Seal Kit and Washtub

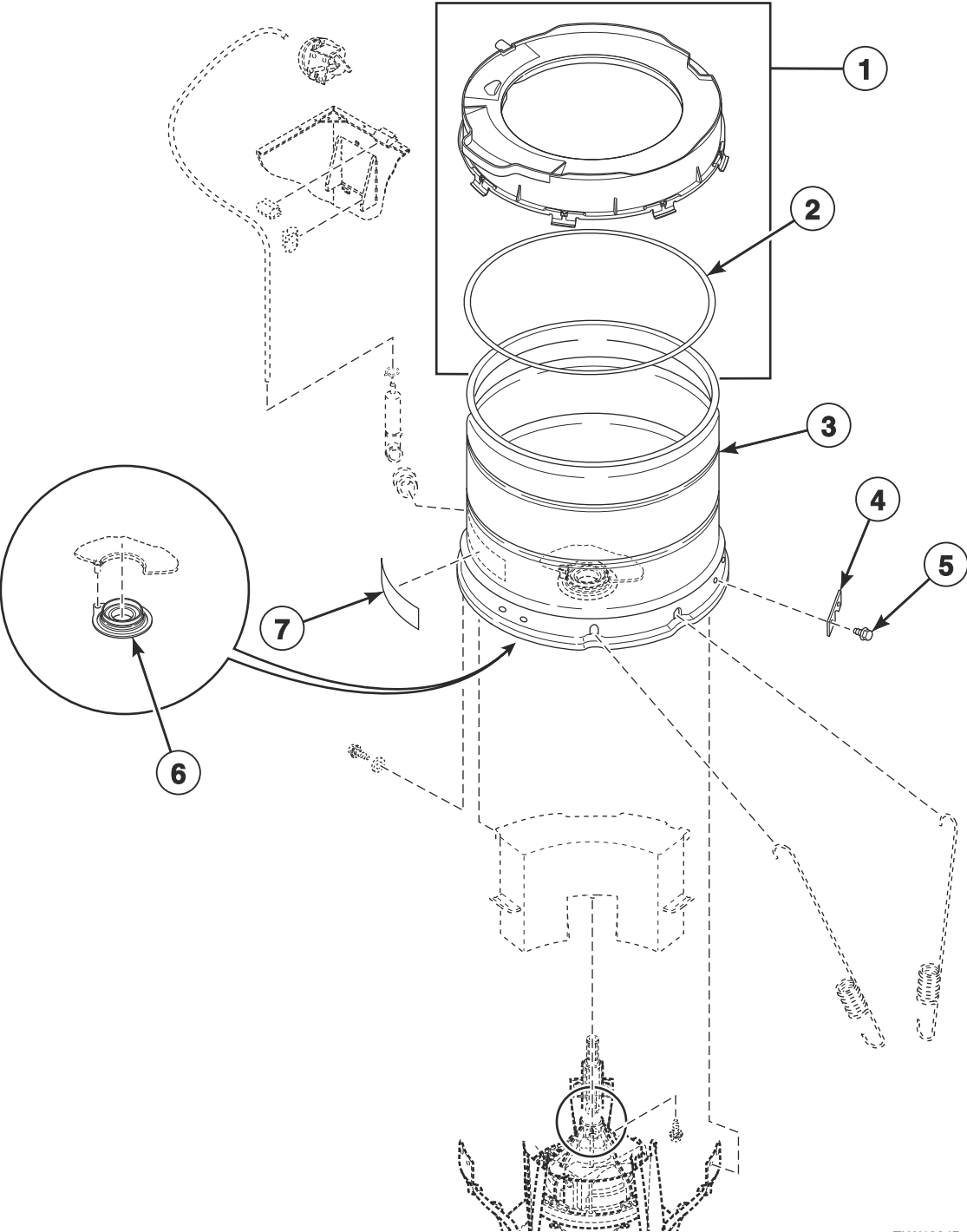


TLW1483P\_203385

# Agitator, Drive Bell, Hub and Lip Seal Kit and Washtub

REF	PART NO.	DESCRIPTION	COMMENTS
1	39837	Balance Ring Assembly	
2	27202	Screw	
3	28094	Washer	Rubber; Use with porcelain washtub
4	39122	Washtub Gasket	
5	766P3A	Hub and Lip Seal Kit	DO NOT use any sealant other than 200996P Sealant; Includes item 10 and installation tool
	200996P	Sealant	Use with hub and lip seal kit
6	29728	Spline Insert	
7	29220	Nut	
8	36425	Bell and Transmission Tube Seal	
	36765P	Grease	Use with bell and transmission tube seal
9	39250P	Tub Kit	Blue porcelain; Models SWNNC2PP113TW01, SWNNC2PP113TW02, SWNNX2PP113TW02 and SWNNY2PP113TW01
	39252P	Tub Assembly	Models HWNNE2AP113CW01, HWNNE2AP113CW04, SWNNC2AP113TW01, SWNNC2AP113TW02, SWNNC2AP113TW04, SWNNC2AP113TW15, SWNNX2AP113TW02, SWNNX2AP113TW15, SWNNY2AP113TW01, SWNNY2AP113TW04, SWNWY2AP113TW01 and SWNWY2AP113TW04
	204429P	Tub Assembly	Models HWNNE2HP113CW01, HWNNE2HP113CW04, HWNNE2HP115CW01, HWNNX2HP113CW01, HWNNX2HP113CW04, HWNNX2HP115CW01, HWNNY2HP113CW01, HWNNY2HP113CW04, SWNNC2HP113TQ01, SWNNC2HP113TQ04, SWNNC2HP113TW01, SWNNC2HP113TW02, SWNNC2HP113TW04, SWNNC2HP113TW15, SWNNC2HP115TQ01, SWNNC2HP115TW01, SWNNC2HP115TW02, SWNNE2HP113CW15, SWNNE2HP115CW02, SWNNX2HP113CW15, SWNNX2HP113TW01, SWNNX2HP113TW02, SWNNX2HP113TW04, SWNNX2HP113TW15, SWNNX2HP115CW02, SWNNX2HP115TW01, SWNNX2HP115TW02, SWNNY2HP113CW04, SWNNY2HP113TW01, SWNNY2HP113TW04, SWNNY2HP115CW01, SWNNY2HP115TW01, SWNWC2HP115TW42, SWNWX2HP113TW15, SWNWX2HP115TW02, SWNWY2HP113TW01, SWNWY2HP113TW04, SWNWY2HP115TW01 and SWNWY2HP115TW41
	719P3	Washtub Kit	Stainless steel; All other models
10	39508P	Drive Bell and Seal Kit	Includes items 8, 11 and 12
11	39432	Screw	
12	36511	Bell Plug	
13	33174	Agitator	
14	36515	Agitator Cap	

# Outer Tub, Cover, Bearing and Seal Housing

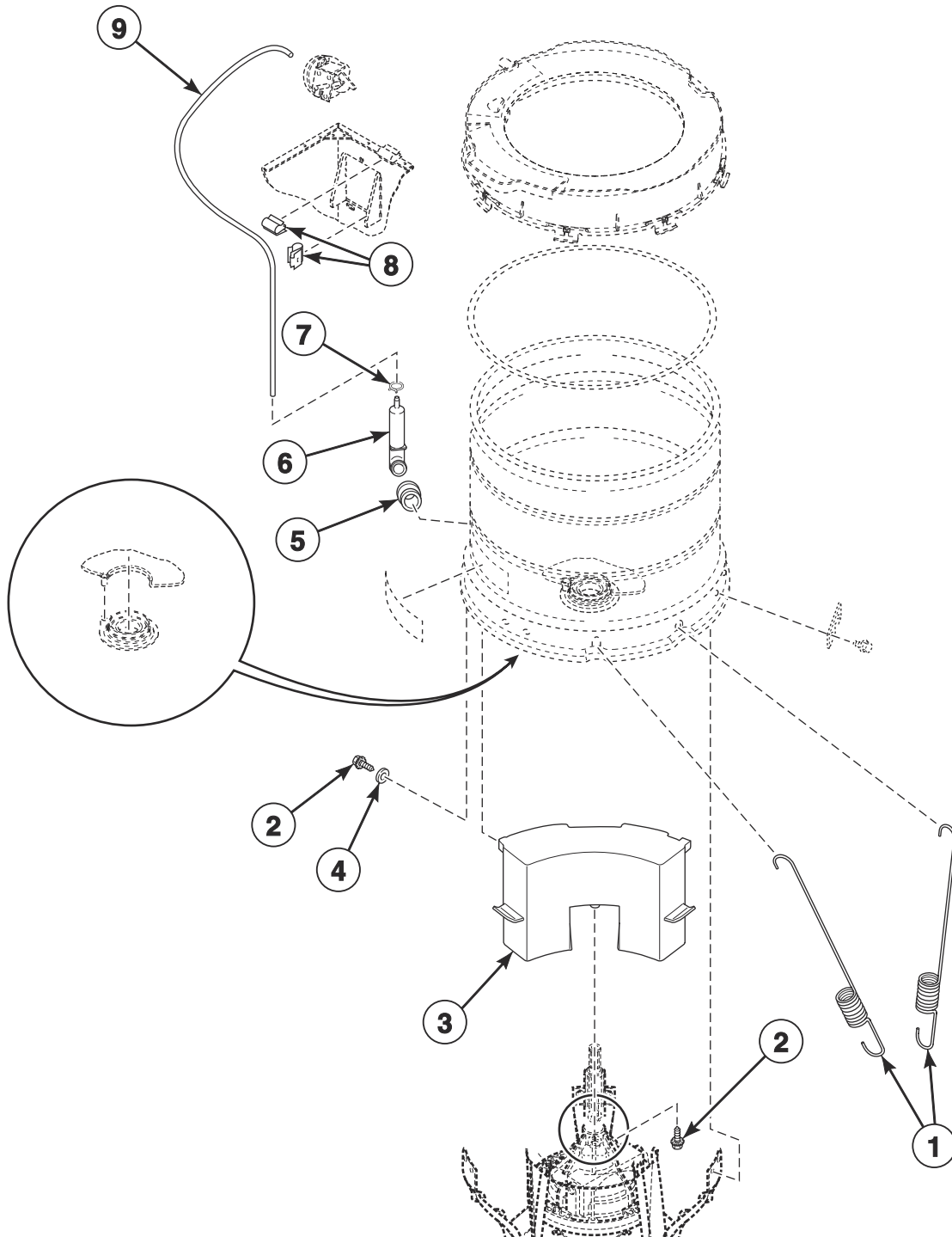


TLW1804P\_203385

## Outer Tub, Cover, Bearing and Seal Housing

REF	PART NO.	DESCRIPTION	COMMENTS
1	203539	Tub Cover Assembly	Models HWNNE2HP115CW01, HWNNE2SP115CW01, HWNNX2HP115CW01, HWNNX2SP115CW01, HWNNY2SP115CW01, NWNNX2SP125MW01, SWNNC2HP115TQ01, SWNNC2HP115TW01, SWNNC2HP115TW02, SWNNC2SP115TQ01, SWNNC2SP115TW01, SWNNC2SP115TW02, SWNNE2HP115CW02, SWNNE2SP115CW02, SWNNX2HP115CW02, SWNNX2HP115TW01, SWNNX2HP115TW02, SWNNX2SP115CW02, SWNNX2SP115TW01, SWNNX2SP115TW02, SWNNY2HP115CW01, SWNNY2HP115TW01, SWNNY2SP115CW01, SWNNY2SP115TW01, SWNWC2HP115TW42, SWNWX2HP115TW02, SWNWX2SP115TW02, SWNWX2HP115TW01, SWNWX2HP115TW41 and SWNWX2SP115TW01; All other models starting Serial Nos. beginning 1801
	202461	Tub Cover Assembly	All other models through Serial Nos. beginning 1801
2	38359	Tub Cover Gasket	
3	203604P	Outer Tub Assembly	Models HWNNE2AP113CW01, HWNNE2AP113CW04, HWNNE2HP113CW01, HWNNE2HP113CW04, HWNNE2HP115CW01, HWNNX2HP113CW01, HWNNX2HP113CW04, HWNNX2HP115CW01, HWNNY2HP113CW01, HWNNY2HP113CW04, SWNNC2AP113TW01, SWNNC2AP113TW02, SWNNC2AP113TW04, SWNNC2AP113TW15, SWNNC2HP113TQ01, SWNNC2HP113TQ04, SWNNC2HP113TW01, SWNNC2HP113TW02, SWNNC2HP113TW04, SWNNC2HP113TW15, SWNNC2HP115TQ01, SWNNC2HP115TW01, SWNNC2HP115TW02, SWNNE2HP113CW15, SWNNE2HP115CW02, SWNNX2AP113TW02, SWNNX2AP113TW15, SWNNX2HP113CW15, SWNNX2HP113TW01, SWNNX2HP113TW02, SWNNX2HP113TW04, SWNNX2HP113TW15, SWNNX2HP115CW02, SWNNX2HP115TW01, SWNNX2HP115TW02, SWNNY2AP113TW01, SWNNY2AP113TW04, SWNNY2HP113CW04, SWNNY2HP113TW01, SWNNY2HP113TW04, SWNNY2HP115CW01, SWNNY2HP115TW01, SWNWC2HP115TW42, SWNWX2HP113TW15, SWNWX2HP115TW02, SWNWX2HP113TW01, SWNWX2HP113TW04, SWNWX2HP113TW01, SWNWX2HP113TW04, SWNWX2HP115TW01 and SWNWX2HP115TW41
	203603P	Outer Tub Assembly	All other models
4	27926	Leg Plate	
5	35369	Screw	
6	766P3A	Hub and Lip Seal Kit	
	200996P	Sealant	Use with hub and lip seal kit
7	D500314	Warning Label	English/French
	F8615701	Pinch Warning Label	Icon
	F8614201	Shock Warning Label	Icon
	D500049	Warning Label	English

# Leg Springs, Pressure Hose and Counterweight



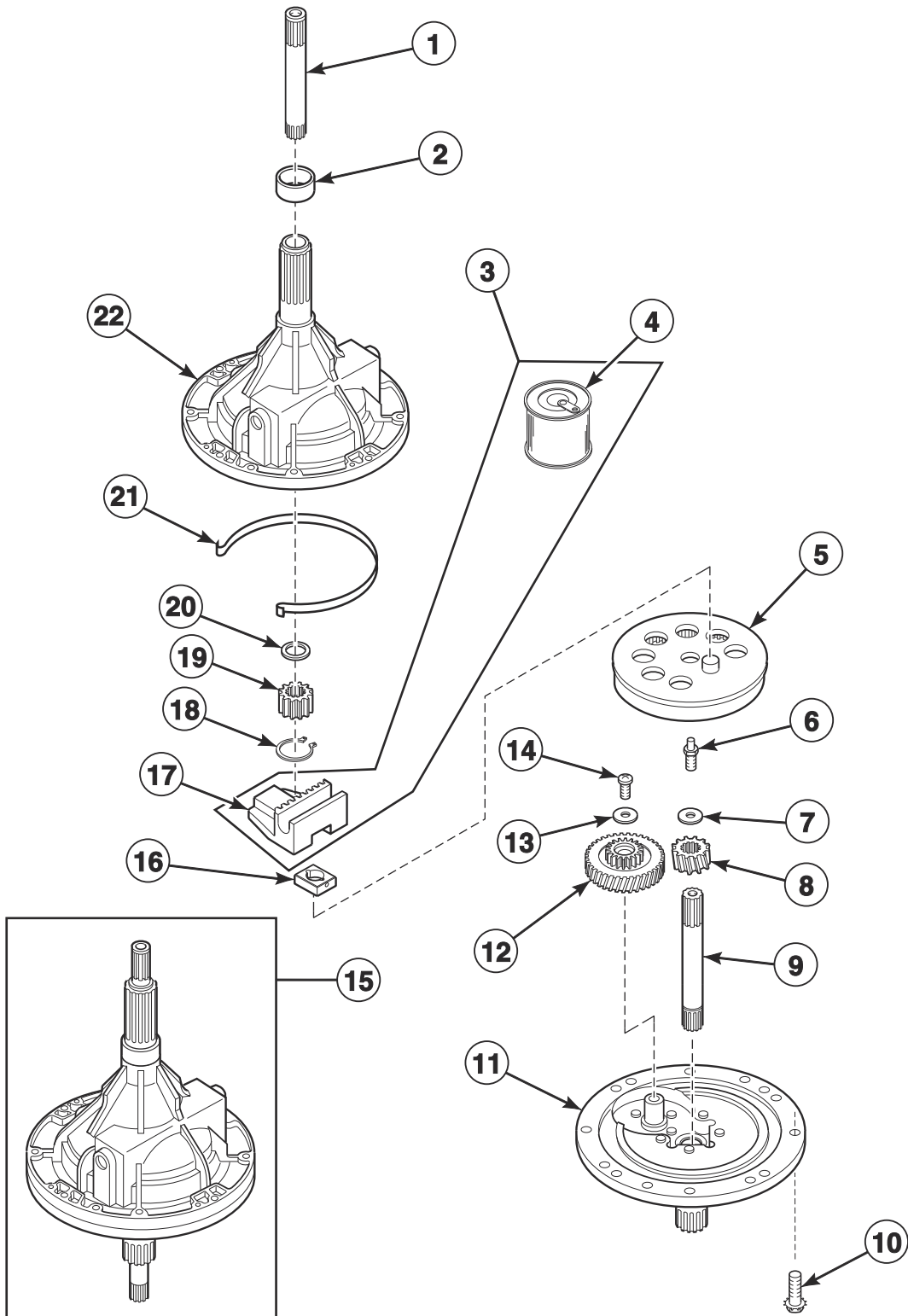
TLW1804PA\_203385



## Leg Springs, Pressure Hose and Counterweight

REF	PART NO.	DESCRIPTION	COMMENTS
1	201521	Leg Spring	Marked with green paint; Use to replace the two rear springs closest to counterweight; Models HWNNX2SP123DW01, HWNNX2SP543DW01, NWNNX2SP303ZW01, SWNNX2SP123DW01, SWNNX2SP303AW01, SWNNX2SP303LW01, SWNNX2SP543DW01, SWNNX2SP543NW23, SWNNX2SP543PW01, SWNNY2SP303NW22, SWNNY2SP303UW01 and SWNWX2SP303BW01
	37576	Leg Spring	Models HWNNE2AP113CW01, HWNNE2AP113CW04, HWNNE2HP113CW01, HWNNE2HP113CW04, HWNNE2HP115CW01, HWNNX2HP113CW01, HWNNX2HP113CW04, HWNNX2HP115CW01, HWNNY2HP113CW01, HWNNY2HP113CW04, SWNNC2AP113TW01, SWNNC2AP113TW02, SWNNC2AP113TW04, SWNNC2AP113TW15, SWNNC2HP113TQ01, SWNNC2HP113TQ04, SWNNC2HP113TW01, SWNNC2HP113TW02, SWNNC2HP113TW04, SWNNC2HP113TW15, SWNNC2HP115TQ01, SWNNC2HP115TW01, SWNNC2HP115TW02, SWNNE2HP113CW15, SWNNE2HP115CW02, SWNNX2AP113TW02, SWNNX2AP113TW15, SWNNX2HP113CW15, SWNNX2HP113TW01, SWNNX2HP113TW02, SWNNX2HP113TW04, SWNNX2HP113TW15, SWNNX2HP115CW02, SWNNX2HP115TW01, SWNNX2HP115TW02, SWNNY2AP113TW01, SWNNY2AP113TW04, SWNNY2HP113CW04, SWNNY2HP113TW01, SWNNY2HP113TW04, SWNNY2HP115CW01, SWNNY2HP115TW01, SWNWC2HP115TW42, SWNWX2HP113TW15, SWNWX2HP115TW02, SWNWY2AP113TW01, SWNWY2AP113TW04, SWNWY2HP113TW01, SWNWY2HP113TW04, SWNWY2HP115TW01 and SWNWY2HP115TW41
	37575	Leg Spring	Models HWNNE2SP113CW01, HWNNE2SP115CW01, HWNNX2SP113CW01, HWNNX2SP115CW01, HWNNX2SP123DW01, HWNNX2SP543DW01, HWNNY2SP113CW01, HWNNY2SP115CW01, NWNNX2SP125MW01, NWNNX2SP303ZW01, SWNNC2PP113TW01, SWNNC2PP113TW02, SWNNC2SP113TQ01, SWNNC2SP113TW01, SWNNC2SP113TW02, SWNNC2SP115TQ01, SWNNC2SP115TW01, SWNNC2SP115TW02, SWNNE2SP113CW02, SWNNE2SP115CW02, SWNNX2PP113TW02, SWNNX2SP103JW01, SWNNX2SP113CW02, SWNNX2SP113JW01, SWNNX2SP113TW01, SWNNX2SP113TW02, SWNNX2SP115CW02, SWNNX2SP115TW01, SWNNX2SP115TW02, SWNNX2SP123DW01, SWNNX2SP303AW01, SWNNX2SP303LW01, SWNNX2SP543DW01, SWNNX2SP543NW23, SWNNX2SP543PW01, SWNNY2PP113TW01, SWNNY2SP113CW01, SWNNY2SP113TW01, SWNNY2SP115CW01, SWNNY2SP115TW01, SWNNY2SP303NW22, SWNNY2SP303UW01, SWNNZ2SP113NW22, SWNWX2SP113TW02, SWNWX2SP115TW02, SWNWX2SP303BW01, SWNWY2SP113TW01 and SWNWY2SP115TW01
2	39566	Screw	
3	38769	Counterweight Assembly	
4	39249	Washer	
5	29175	Grommet	
6	30907	Pressure Bulb	
7	39282	Hose Clamp	
8	36985	Hose Clip	
9	202700	Tubing	Through Serial No. 1806000001
	203802	Tubing	Starting Serial No. 1806000001

# Transmission Assembly



TLW1720P\_203385

# Transmission Assembly

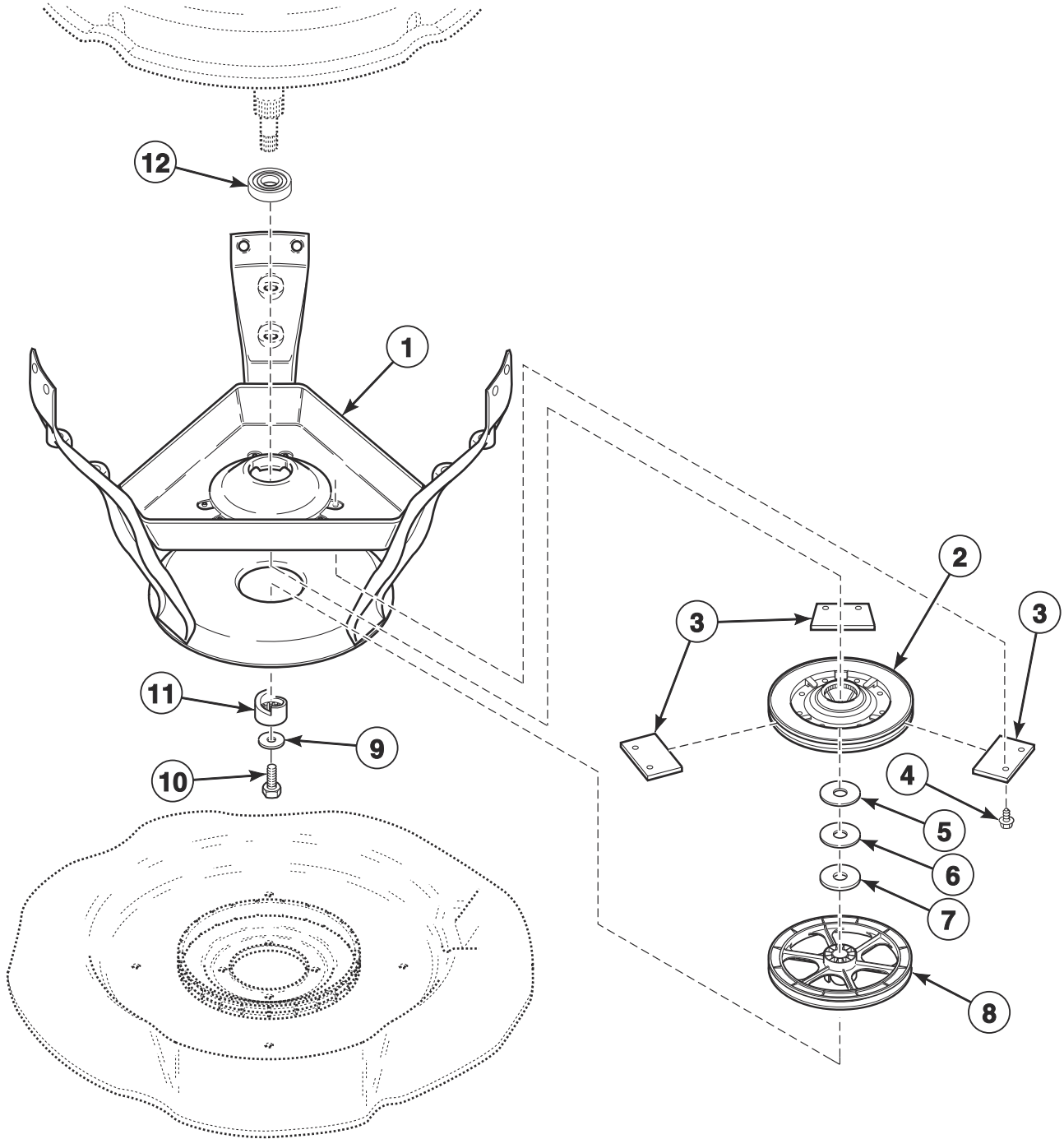
REF	PART NO.	DESCRIPTION	COMMENTS
	27604P	Anti-Seize Compound	Apply to the smooth area of both the upper and lower transmission shafts
	37577P	Transmission Sealant	Use between transmission case and cover
<b>1</b>	36570P	Output Shaft	
<b>2</b>	201212	Hub Spacer	
<b>3</b>	RB150004	Transmission Rebuild Kit	Includes 37577P Transmission Sealant
<b>4</b>	27243P	Transmission Oil	1 fill
<b>5</b>	26577	Gear and Stud Assembly	
<b>6</b>	201773	Screw	
<b>7</b>	26509	Washer	
<b>8</b>	37405	Drive Pinion	
<b>9</b>	38268P	Input Shaft	
<b>10</b>	32814	Screw	
<b>11</b>	37471	Transmission Cover Assembly	
<b>12</b>	37404P	Reduction Gear	
<b>13</b>	29260	Washer	
<b>14</b>	29273	Screw	
<b>15</b>	38165P	Transmission Assembly	
<b>16</b>	26493	Slide	
<b>17</b>	201664	Rack	
<b>18</b>	27197	Retaining Ring	
<b>19</b>	27003	Agitator Pinion	
<b>20</b>	35092	Washer	
<b>21</b>	38864	Gear Sleeve	
<b>22</b>	33223P	Transmission Case Assembly	



## Drain Hoses and Siphon Break Kit

REF	PART NO.	DESCRIPTION	COMMENTS
	451P3	Drain Extension Kit	
1	52909	Screw	
2	20211	Hose Clamp	
3	28293	Drain Hose	
4	25863	Hose Coupler	If drain hose must be shortened, cut hose between molded end and molded elbow; Use (1) 25863 Hose Coupler to splice hose
5	F200204	Hose Clamp	
6	38351	Tub-to-Pump Hose	
7	39177	Hose Retainer Clip	
8	38273	Pump-to-Drain Elbow Hose	
9	36801	Hose Clamp	
10	35766	Drain Hose Elbow	Models NWNNX2SP303ZW01, SWNNX2SP303AW01, SWNNX2SP303LW01, SWNNY2SP303NW22, SWNNY2SP303UW01 and SWNWX2SP303BW01
	36990	Drain Hose Elbow	All other models
11	562P3	Siphon Break Kit	Siphon break kit must be installed in drain hose if drain receptacle is lower than cabinet top of washer

# Weldment and Bearing Assembly, Brake and Pulley

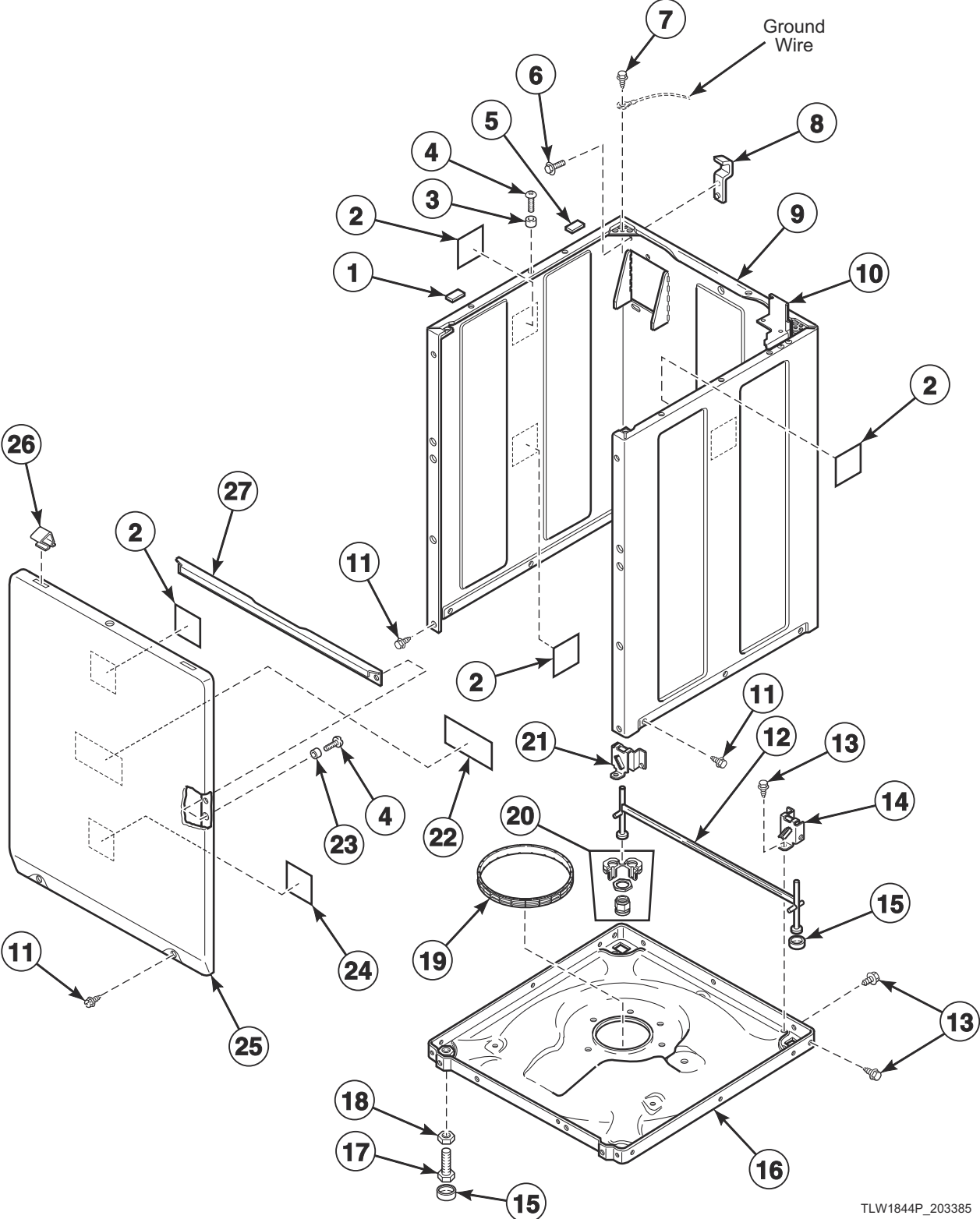


TLW1841P\_203385

# Weldment and Bearing Assembly, Brake and Pulley

REF	PART NO.	DESCRIPTION	COMMENTS
1	39254	Weldment and Bearing Assembly	Models HWNNE2AP113CW01, HWNNE2AP113CW04, HWNNE2HP113CW01, HWNNE2HP113CW04, HWNNE2HP115CW01, HWNNX2HP113CW01, HWNNX2HP113CW04, HWNNX2HP115CW01, HWNNY2HP113CW01, HWNNY2HP113CW04, SWNNC2AP113TW01, SWNNC2AP113TW02, SWNNC2AP113TW04, SWNNC2AP113TW15, SWNNC2HP113TQ01, SWNNC2HP113TQ04, SWNNC2HP113TW01, SWNNC2HP113TW02, SWNNC2HP113TW04, SWNNC2HP113TW15, SWNNC2HP115TQ01, SWNNC2HP115TW01, SWNNC2HP115TW02, SWNNE2HP113CW15, SWNNE2HP115CW02, SWNNX2AP113TW02, SWNNX2AP113TW15, SWNNX2HP113CW15, SWNNX2HP113TW01, SWNNX2HP113TW02, SWNNX2HP113TW04, SWNNX2HP113TW15, SWNNX2HP115CW02, SWNNX2HP115TW01, SWNNX2HP115TW02, SWNNY2AP113TW01, SWNNY2AP113TW04, SWNNY2HP113CW04, SWNNY2HP113TW01, SWNNY2HP113TW04, SWNNY2HP115CW01, SWNNY2HP115TW01, SWNWC2HP115TW42, SWNWX2HP113TW15, SWNWX2HP115TW02, SWNWX2HP115TW04, SWNWX2HP115TW01, SWNWX2HP115TW02, SWNWX2HP115TW04, SWNWX2HP115TW01, SWNWX2HP115TW02, SWNWX2HP115TW04, SWNWX2HP115TW01 and SWNWX2HP115TW41
	39253	Weldment and Bearing Assembly	All other models
2	38505P	Brake Kit	
3	735P3	Brake Pad Kit	Includes 3 pads
	204253	Silicone Grease	Apply small amount to each new brake pad
4	39739	Screw	
5	35535	Washer	Thin
6	27015	Washer	Thick
7	35535	Washer	For machines experiencing squeaking durring agitaion; Through Serial Nos. beginning 1612
	203950	Washer	Starting Serial Nos. beginning 1701
	204253	Silicone Grease	Apply small amount to washer
8	204942	Pulley	Models NWNNX2SP303ZW01, SWNNX2SP303AW01, SWNNX2SP303LW01, SWNNY2SP303NW22, SWNNY2SP303UW01 and SWNWX2SP303BW01
	204486	Pulley	All other models
9	26509	Washer	
10	27220	Screw	
11	38008	Helix	
12	28944RP	Lower Bearing	

# Front Panel, Base Assembly and Cabinet Kit



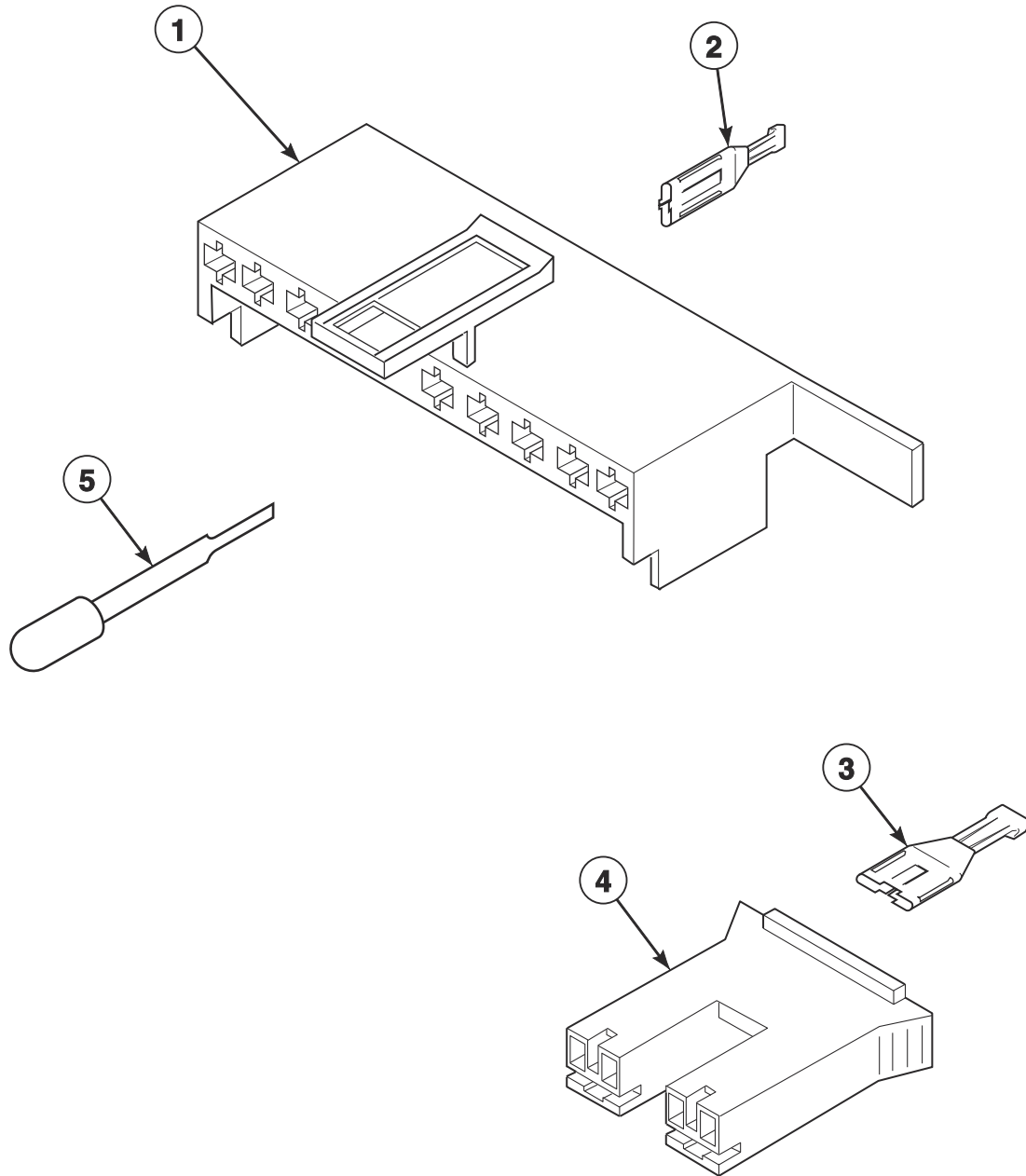
TLW1844P\_203385



## Front Panel, Base Assembly and Cabinet Kit

REF	PART NO.	DESCRIPTION	COMMENTS
	122P4P	Porcelain Touch-Up Paint	White
	370P4P	Porcelain Touch-Up Paint	Bisque
1	56128	Bumper Pad	
2	39480	Foam Pad	
3	56079	Panel Locator	
4	39733	Screw	
5	36226	Bumper Pad	
6	D501524	Screw	
7	52909	Screw	
8	27103	Hold-Down Lug Hinge	
9	38612WP	Service Cabinet Kit	White
	38612QP	Service Cabinet Kit	Bisque
10	35915	Meter Case Mounting Bracket Assembly	
11	27196	Screw	Slotted hex head
	431287	Screw	Torx head
12	34443	Leg and Stabilizer Assembly	
13	35148	Screw	
14	36036	Bracket	Right
15	34318	Rubber Foot	
16	39788	Base Assembly	
17	34319	Leveling Leg	
18	21899	Nut	
19	37937	Friction Ring	
20	566P3	Adjustable Leg Extension Kit	Provides adjustment capabilities to rear self-leveling legs
21	36037	Bracket	Left
22	36204	Front Panel Pad	
23	28102	Panel Locator	
24	203484	Foam Pad	
25	204870	Front Panel	White
	38335QP	Front Panel	Bisque
26	35865	Hold-Down Clip	
27	35097	Front Panel Brace	

# Mixing Valve and Motor Disconnect Blocks, Terminals and Terminal Extractor Tool

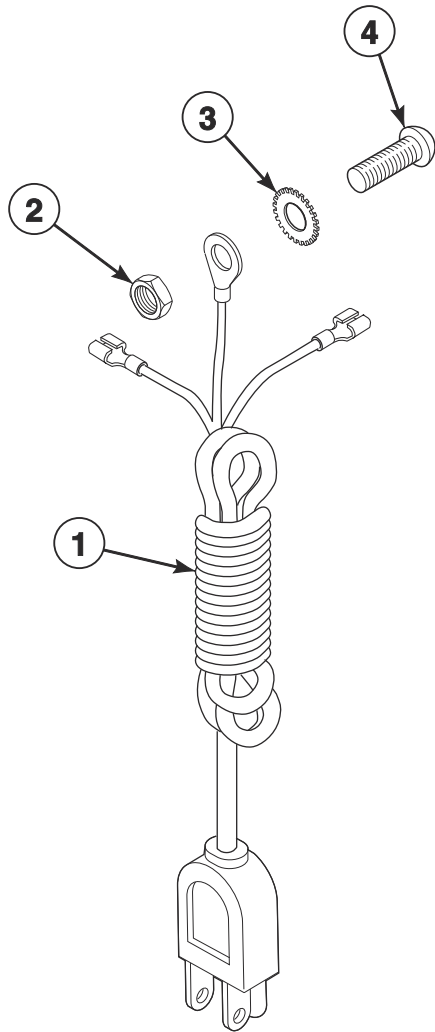


W134PZ3A\_203385

## Mixing Valve and Motor Disconnect Blocks, Terminals and Terminal Extractor Tool

REF	PART NO.	DESCRIPTION	COMMENTS
1	34677	10 Circuit Plug	Motor
2	00188	Female Terminal	For 1 or 2 wire application
3	00121	Female Spade Terminal	1/4 inch
4	34675	Mixing Valve Plug	Natural
	34676	Mixing Valve Plug	Red
5	283P4	Terminal Extractor Tool	

# Lead-In Cord

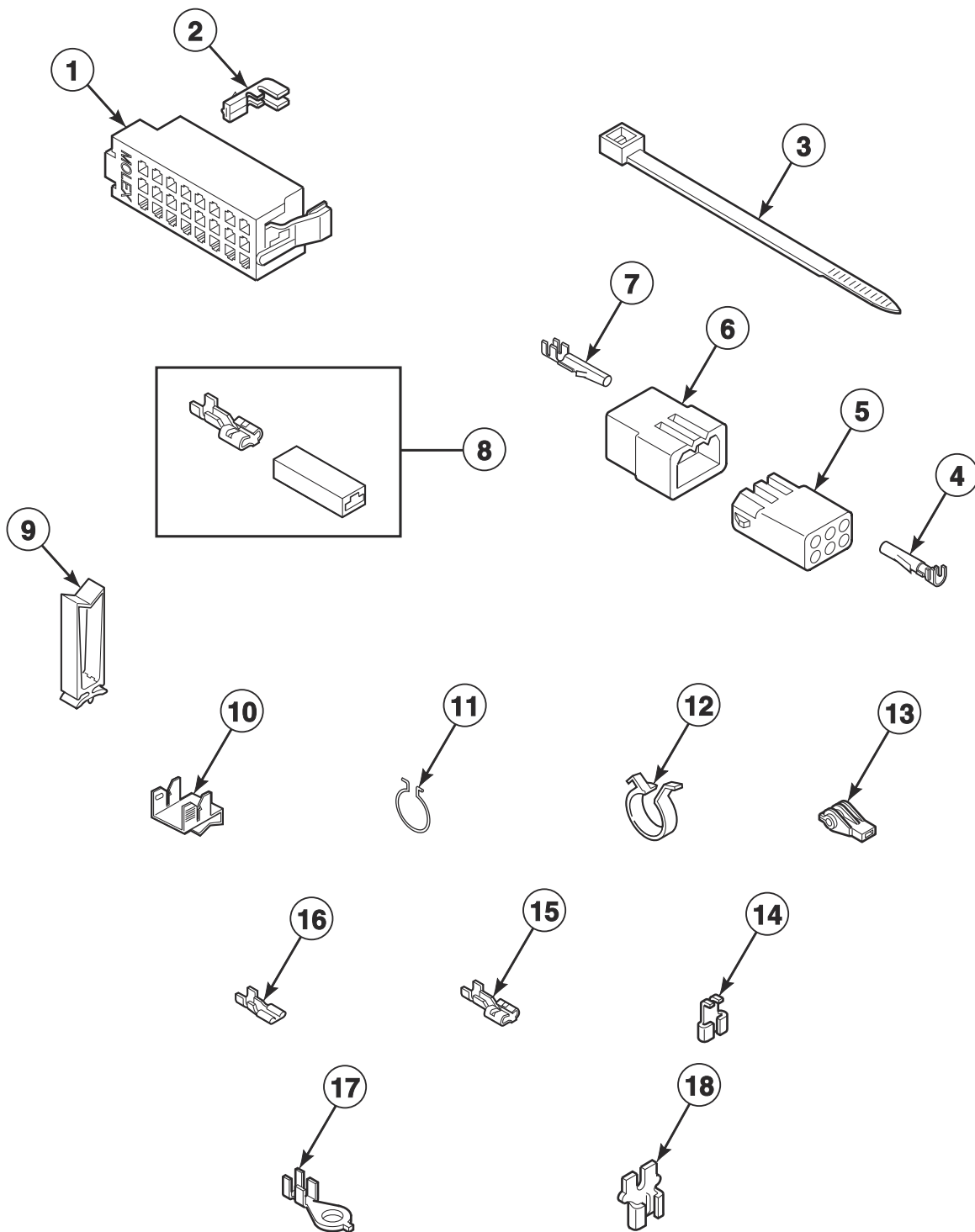


TLW1089P\_203385

# Lead-In Cord

REF	PART NO.	DESCRIPTION	COMMENTS
1	203106	Lead-In Cord Assembly	Models HWNNX2SP123DW01, HWNNX2SP543DW01, SWNNX2SP123DW01 and SWNNX2SP543DW01
	203309	Lead-In Cord	Models SWNNX2SP103JW01 and SWNNX2SP113JW01
	203120	Lead-In Cord	Model SWNNX2SP303AW01
	203344	Lead-In Cord	Model SWNNX2SP543NW23
	203121	Lead-In Cord	Models NWNNX2SP303ZW01 and SWNNX2SP543PW01
	203412	Lead-In Cord	Model SWNNY2SP303NW22
	203208	Lead-In Cord	Model SWNNY2SP303UW01
	203315	Lead-In Cord	Model SWNNX2SP303LW01
	203717	Lead-In Cord	Model SWNWX2SP303BW01
	202777	Lead-In Cord	All other models
2	03673	Nut	
3	21735	Washer	
4	20267	Screw	

# Terminals

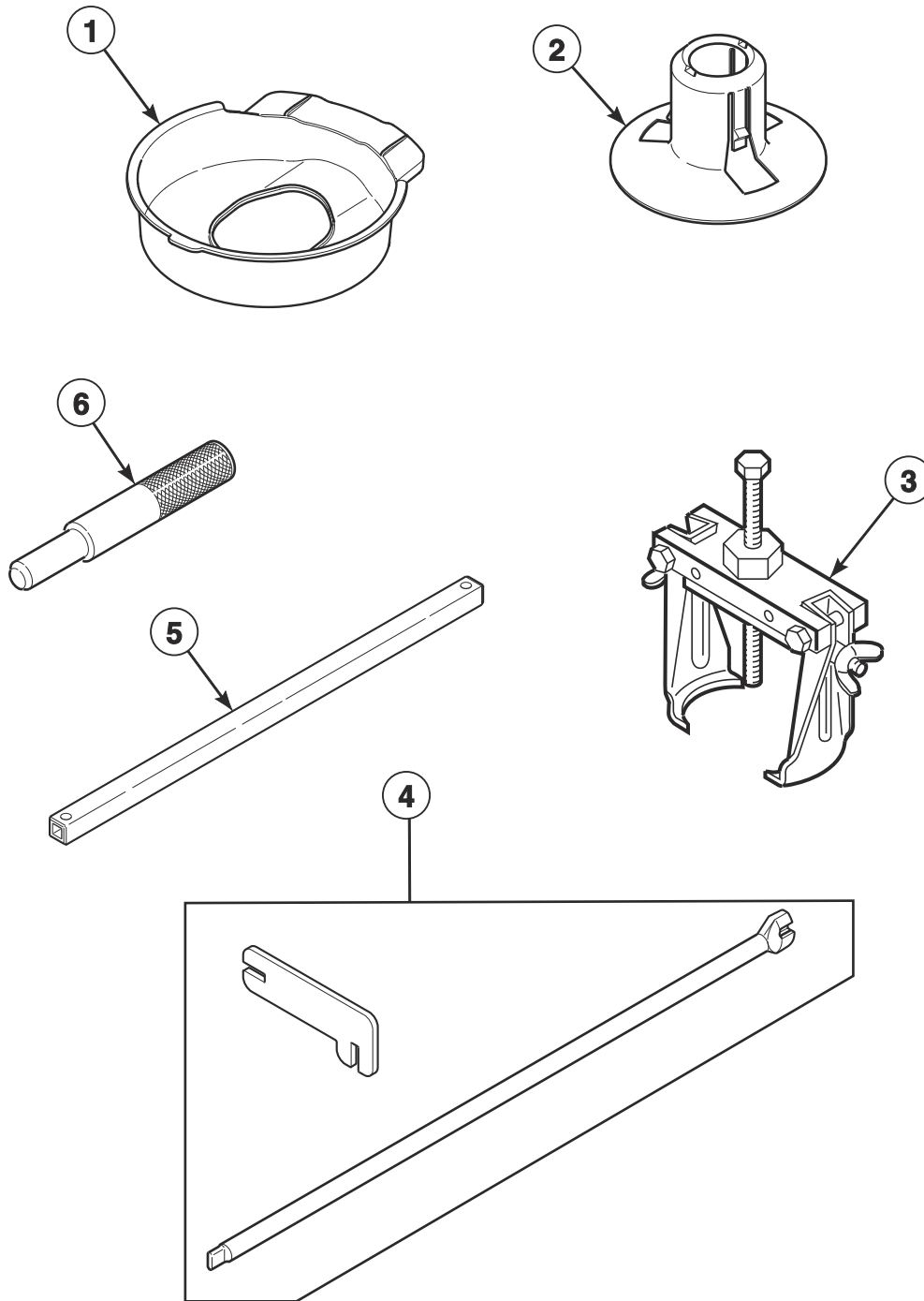


TLW1769P\_203385

# Terminals

REF	PART NO.	DESCRIPTION	COMMENTS
1	32746	24 Position Housing	Right; Black
	34123	24 Position Housing	Left; White
2	00188	Female Terminal	Used for 1 or 2 wire application
	00568SG	Terminal	
3	55881	Harness Strap	4 inches
4	00117	Female Pin Terminal	
	00574SG	Female Pin Terminal	
5	26708	6 Circuit Receptacle	
6	23041	6 Circuit Plug	
7	00577	Terminal Tab	
8	00359	Insulated Female Spade Terminal	
9	70296701	Wire Tie	
10	00350	Grounding Clip	
	00569SG	Terminal Grounding Clip	
11	51291	Wire Clip	
12	D504034	Wire Clip	
13	70210	Insulator	
14	00120	Female Flag Terminal	
15	00223	Female Spade Terminal	Large spade
16	00112	Female Spade Terminal	Small spade
17	00319	Ring Terminal	Small shank
18	F140562	Connector	

# Shipping Materials and Special Tools



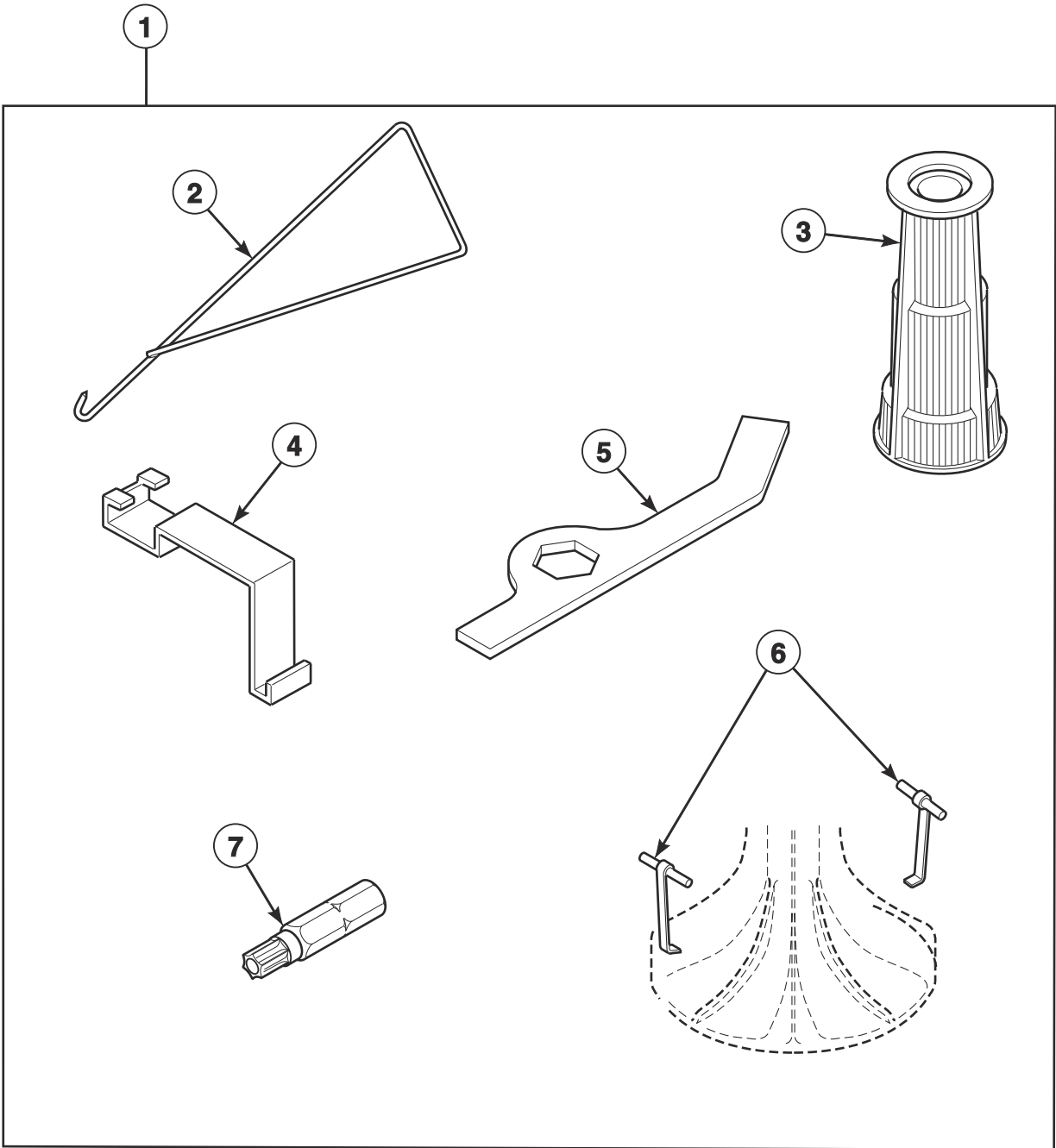
TLW1834P\_203385



## Shipping Materials and Special Tools

REF	PART NO.	DESCRIPTION	COMMENTS
1	203517	Shipping Brace	Install whenever moving washer; Remove before use
2	38149	Shipping Plug	Install whenever moving washer; Remove before use
3	294P4	Agitator Drive Bell Puller	For removal and installation of drive bell to transmission shaft
4	CK096	Mounting Tool Kit	Use to install and remove electronic coin drops
5	310P4	Ratchet Extension Tool	1/4 inch; Use to install and remove non-electronic coin drops
6	305P4	Transmission Pin Tool	Use pin tools in place of dowel pins when reassembling transmission cover and case; 2 required

# Special Tools

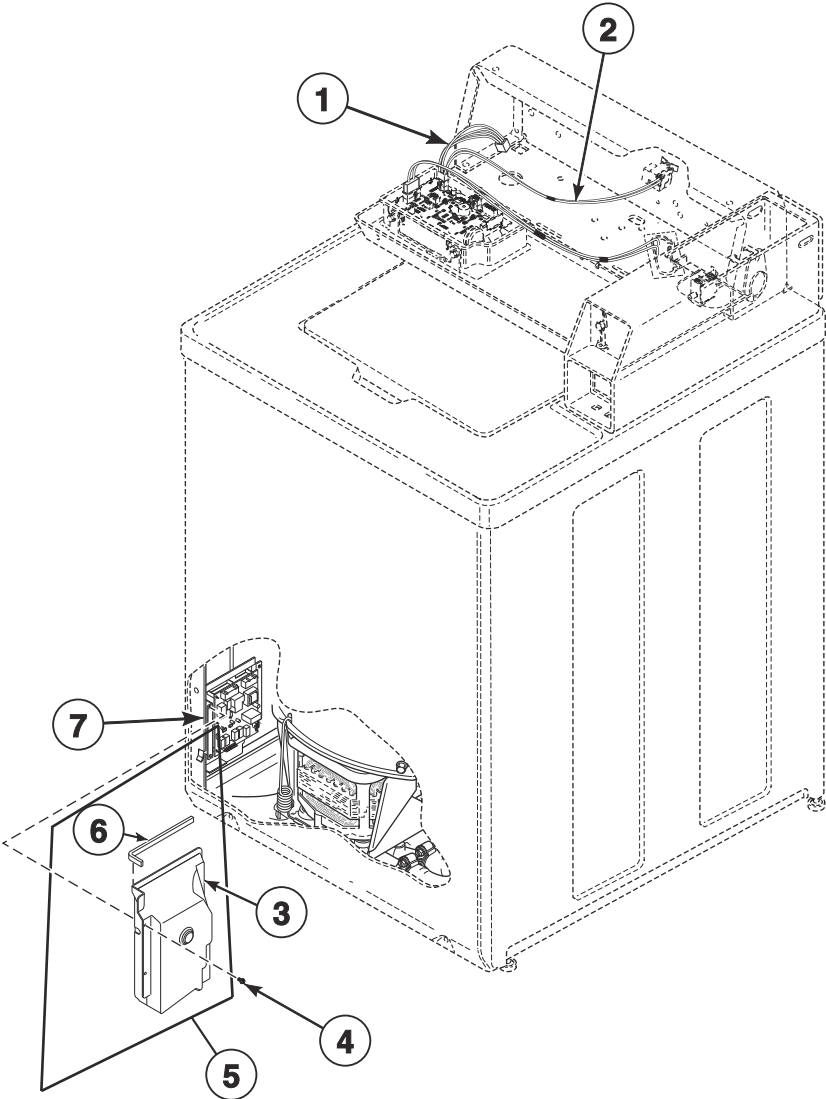


TLW1818P\_203385

## Special Tools

REF	PART NO.	DESCRIPTION	COMMENTS
1	725P3	Tool Kit	Includes items 2-7
2	321P4	Spring Hook Tool	For removal of centering springs from outer tub
3	293P4	Drive Bell Seal Tool	For installation of 36426 Bell and Transmission Tube Seal
4	273P4	Tub Cover Removal Tool	Use to install 38359 Tub Cover Gasket in outer tub cover
5	306P4	Hex Wrench Tool	For removal of locknut from washtub hub
6	254P4P	Agitator Hook	Use to remove agitator from drive bell; Set of 2
7	281P4	Torx Bit	T15; For removal and installation of control hood security screws
	282P4	Torx Bit	T25; For removal and installation of front panel security screws

# Output Board, Wire Harnesses and Wires



TLW1770P\_203385

## Output Board, Wire Harnesses and Wires

REF	PART NO.	DESCRIPTION	COMMENTS
	45001	18 Gauge Wire	Black; Order wire by foot and terminals as required
	45380	12 Gauge Wire	Orange; Order wire by foot and terminals as required
<b>1</b>	202691	Control Harness	Models NWNNX2SP303ZW01, SWNNX2SP303AW01, SWNNX2SP303LW01 and SWNWX2SP303BW01
	203079	Wire Harness Assembly	Models HWNNX2SP123DW01, HWNNX2SP543DW01, SWNNX2SP113JW01, SWNNX2SP123DW01, SWNNX2SP543DW01 and SWNNX2SP543PW01
	203472	Control Harness	Model SWNNY2SP303UW01
	202684	Control Harness	All other models
<b>2</b>	804432	Pressure Sensor Harness	
<b>3</b>	202939	Output Control Shield	
<b>4</b>	804667	Screw	
<b>5</b>	202965	Shield Assembly	Includes items 3 and 6
<b>6</b>	202964	Output Board Cover Gasket	
<b>7</b>	202508P	Output Board Control Assembly	

**NOTE: Individual wires are not available separately. Order complete harness, or order wire by the foot. When applying terminals to wires, it is recommended that the terminals be soldered to the wires.**



# Parts Index

## A

Adjustable Leg Extension Kit	
566P3 .....	55
Agitate and Spin Belt	
200923 .....	41
38174 .....	41
Agitator	
33174 .....	43
Agitator Cap	
36515 .....	43
Agitator Drive Bell Puller	
294P4 .....	63
Agitator Hook	
254P4P .....	65
Agitator Pinion	
27003 .....	49
Anti-Seize Compound	
27604P .....	49

## B

Balance Ring Assembly	
39837 .....	43
Base Assembly	
39788 .....	55
Bell and Transmission Tube Seal	
36425 .....	43
Bell Plug	
36511 .....	43
Belt and Pump Kit	
RB150003 .....	41
Bolt	
203798 .....	5, 7
32184 .....	31
Bracket	
202083 .....	29
36036 .....	55
36037 .....	55
Brake Kit	
38505P .....	53
Brake Pad Kit	
735P3 .....	53
Bumper	
M400795 .....	13, 15, 17, 19, 21, 23, 25
21685 .....	27, 31
Bumper Pad	
36226 .....	55
56128 .....	55
Bushing	
33446 .....	27, 31

## C

Cable Tie	
804724 .....	19, 23

Capacitor	
203140 .....	41
203141 .....	41
37377 .....	41
Capacitor and Clamp Kit	
39259P .....	41
Capacitor Clamp	
37535 .....	41
Central Pay Harness	
805427 .....	13, 15, 17, 19, 21, 23, 25
Clip	
201572 .....	11
Coin Box Extension Kit	
803578P .....	5
Coin Drop	
38963P .....	9
70441601P .....	9
70441603 .....	9
Coin Drop Assembly	
CK114 .....	9
38462P .....	9
38463 .....	9
38464P .....	9
38467 .....	9
38472 .....	9
38519 .....	9
38521 .....	9
70441602 .....	9
70447301 .....	9
70482401 .....	9
Coin Drop Kit	
CK123 .....	9
Coin Identification Paper	
38725 .....	5, 11
Connector	
F140562 .....	61
Control Assembly	
203564P .....	13, 15, 17, 19, 21, 23, 25
Control Harness	
202684 .....	67
202691 .....	67
203472 .....	67
Control Hood	
210142W .....	21, 23, 25
37075Q .....	13, 15
37075W .....	13, 15, 17, 19
Control Overlay	
202951 .....	21, 25
202952 .....	13, 15, 19
202973 .....	21
203076 .....	13, 19
203994 .....	13, 15, 17
203996 .....	21, 25
203997 .....	13
203998 .....	21
204900 .....	15, 19
204988 .....	25
Control Panel Assembly	
210042Q .....	13, 15
210042W .....	13, 15, 17, 19
210137W .....	21, 23, 25
Control Panel Bumper	
202469 .....	13, 15, 17, 19, 21, 23, 25

N/A items do not appear in index.

Counterweight Assembly 38769 .....	47
Cover Plate 37828P .....	31

## D

Disconnect Power Warning Label D505281 .....	27
Door Lock Spacer 201414 .....	31
Drain Extension Kit 451P3 .....	51
Drain Hose 28293 .....	51
Drain Hose Elbow 35766 .....	51
36990 .....	51
Drive Bell and Seal Kit 39508P .....	43
Drive Bell Seal Tool 293P4 .....	65
Drive Pinion 37405 .....	49
Dual Coin Harness Assembly 202871 .....	9, 11
806827 .....	9, 11
Dual Overlay 39073 .....	5

## E

Electronic Coin Drop Assembly 70294104 .....	11
70294106 .....	11
70294107 .....	11
70294109 .....	11
70294110 .....	11
70294111 .....	11
70294120 .....	11
70294121 .....	11
70294122 .....	11
70513302 .....	11
Electronic Coin Drop Kit CK099 .....	11
CK100 .....	11
CK101 .....	11
CK103 .....	11
CK106 .....	11
CK108 .....	11
CK109 .....	11
CK110 .....	11
CK113 .....	11
CK115 .....	11
CK120 .....	11
CK121 .....	11
Electronic Control Shield D501441 .....	25
End Cap 210108W .....	21, 23, 25
210109W .....	21, 23, 25
Ethernet Gateway Kit NK320 .....	13, 15, 17, 19, 21, 23, 25

N/A items do not appear in index.

## F

Female Flag Terminal 00120 .....	61
Female Pin Terminal 00117 .....	61
00574SG .....	61
Female Spade Terminal 00112 .....	61
00121 .....	57
00223 .....	61
Female Terminal 00188 .....	57, 61
Fill Hose 203718 .....	37
203719 .....	37
203720 .....	37
203750 .....	37
204102 .....	37
204103 .....	37
Foam Pad 203484 .....	55
39480 .....	55
Friction Ring 37937 .....	55
Front Panel 204296W .....	7
204870 .....	55
38335QP .....	55
Front Panel Brace 35097 .....	55
Front Panel Pad 36204 .....	55

## G

Gear and Stud Assembly 26577 .....	49
Gear Sleeve 38864 .....	49
Grease 36765P .....	43
Grommet 29175 .....	47
80262 .....	19, 23, 29, 31
Grounding Clip 00350 .....	61

## H

Harness 203244 .....	21, 23
804832 .....	15, 17, 21, 25
Harness Strap 55881 .....	61
Helix 38008 .....	53
Hex Wrench Tool 306P4 .....	65
Hinge Gasket 34338 .....	27, 31



Hold-Down Clip 35865 .....	55
Hold-Down Lug Hinge 27103 .....	55
Hood Back Panel 202465 .....	19
Hose Clamp F200204 .....	51
20211 .....	51
36801 .....	35, 51
39282 .....	47
800803 .....	35
Hose Clip 36985 .....	47
Hose Coupler 25863 .....	51
Hose Retainer Clip 39177 .....	51
Housing, 24 Position 32746 .....	61
34123 .....	61
Hub and Lip Seal Kit 766P3A .....	43, 45
Hub Spacer 201212 .....	49

## I

Idler Lever 38011 .....	39
Idler Lever and Belt Kit 202972 .....	39
Idler Lever Kit 959P3 .....	39
Idler Lever Spring 201189 .....	39
202032 .....	39
Idler Pulley 38225P .....	39
Idler Shaft 210186 .....	39
Inlet Cover 202894 .....	29
Inlet Deflector 203509 .....	29
Input Shaft 38268P .....	49
Insulated Female Spade Terminal 00359 .....	61
Insulator 70210 .....	61
Isolator Assembly 204062 .....	41
Isolator Post 38325 .....	41

## J

Junction Box 203068 .....	19, 23
------------------------------	--------

## K

Key 54612 .....	7
--------------------	---

## L

Lead-In Cord 202777 .....	59
203120 .....	59
203121 .....	59
203208 .....	59
203309 .....	59
203315 .....	59
203344 .....	59
203412 .....	59
203717 .....	59
Lead-In Cord Assembly 203106 .....	59
Leg and Stabilizer Assembly 34443 .....	55
Leg Plate 27926 .....	45
Leg Spring 201521 .....	47
37575 .....	47
37576 .....	47
Leveling Leg 34319 .....	55
Lid 200892WP .....	31
204615W .....	27
Lid Hinge 36437 .....	27, 31
36438 .....	27, 31
Lid Lock 202434 .....	31
Lid Lock Catch Assembly 201307P .....	31
Lid Lock Gasket 30378 .....	31
Lid Lock Kit 837P3 .....	31
Lid Switch Assembly 204791 .....	33
Lid Switch Drip Shield 204538 .....	33
Lid Switch Shield 202697 .....	33
Lid Warning Label 203045 .....	27, 31
Line Filter 804864 .....	19, 23
Lock Assembly 804339P .....	7
Lower Bearing 28944RP .....	53

N/A items do not appear in index.

---

**M**

Machine ID Control Assembly	
203361P .....	13, 15, 17, 19, 21, 23, 25
Male Tab Terminal	
00177 .....	41
Meter Case Assembly	
202877Q .....	5
202877W .....	5
204597W .....	7
802505W .....	5
807406W .....	5
Meter Case Assembly Kit	
807401W .....	5
Meter Case Bracket Gasket	
35526 .....	5, 7
Meter Case Gasket	
26354 .....	5, 7
Meter Case Lockdown Bracket	
35525 .....	5, 7
Meter Case Locking Bracket Kit	
204616 .....	5, 7
Meter Case Mounting Bracket Assembly	
35915 .....	55
Mixing Valve	
202395P .....	35
202396P .....	35
203741 .....	35
203742 .....	35
203927 .....	35
Mixing Valve Mounting Bracket	
203558 .....	35
204117 .....	35
Mixing Valve Plug	
34675 .....	57
34676 .....	57
Mixing Valve Screen	
24122 .....	35
Mixing Valve Shield	
202899 .....	35
Motor Assembly	
202544P .....	39
202960 .....	39
202971 .....	39
Motor Drip Shield	
203053 .....	41
Motor Kit	
38034P .....	39
Motor Mount	
204449 .....	41
Motor Mount Bracket	
200941 .....	41
Motor Shield	
34754 .....	39
Mounting Tool Kit	
CK096 .....	63

---

**N**

Network Controller Kit	
NK220 .....	13, 15, 19, 21, 23

Network Retrofit Kit	
203328 .....	13, 15, 19, 21, 23
Nut	
M400981 .....	33
03673 .....	59
201216 .....	11
21899 .....	55
22001 .....	31
27222 .....	29, 31
28803 .....	39
29220 .....	43
29786 .....	5, 7, 9
29787 .....	19, 23
35423 .....	41
36020 .....	29, 31
44087101 .....	13, 15, 17, 19
52566 .....	39
802337 .....	5, 7

---

**O**

Operation Instruction Label	
203152 .....	5, 7
Opto Coupler	
200674P .....	9
Outer Tub Assembly	
203603P .....	45
203604P .....	45
Output Board Control Assembly	
202508P .....	67
Output Board Cover Gasket	
202964 .....	67
Output Control Shield	
202939 .....	67
Output Shaft	
36570P .....	49
Overlay	
201091 .....	11
203245 .....	23
Overlay Kit	
38676 .....	5

---

**P**

Panel Locator	
28102 .....	55
56079 .....	55
Pinch Warning Label	
F8615701 .....	45
Plug, 10 Circuit	
34677 .....	57
Plug, 6 Circuit	
23041 .....	61
Porcelain Touch-Up Paint	
122P4P .....	55
370P4P .....	55
Pressure Bulb	
30907 .....	47
Pressure Sensor	
203843 .....	13, 15, 17, 19, 21, 23, 25
Pressure Sensor Harness	
804432 .....	67

N/A items do not appear in index.

Pulley	
204486 .....	53
204942 .....	53
Pump	
201566P .....	41
Pump Assembly	
201442P .....	41
Pump-to-Drain Elbow Hose	
38273 .....	51

## R

Rack	
201664 .....	49
Ratchet Extension Tool	
310P4 .....	63
Rear Hood Panel	
37020 .....	13, 15, 17
Rear Panel	
210143 .....	21, 23, 25
Receptacle, 6 Circuit	
26708 .....	61
Reduction Gear	
37404P .....	49
Retaining Ring	
23748 .....	39
27197 .....	49
Ring Terminal	
00319 .....	61
Rubber Foot	
34318 .....	55

## S

Screw	
D501086 .....	13, 15, 17, 19, 21, 23, 25
D501524 .....	55
D503661 .....	13, 15, 17, 19, 21, 23, 25
D503673 .....	5, 7, 27, 31
M402574 .....	33
02916 .....	13, 15, 17, 19
201415 .....	31
201773 .....	49
202623 .....	31
20267 .....	59
203978 .....	41
20530 .....	41
23008 .....	29, 31
23222 .....	13, 15, 17, 19
23962 .....	29, 33
27196 .....	55
27202 .....	43
27220 .....	53
27229 .....	39
29273 .....	49
32814 .....	49
33562 .....	35
34337 .....	27, 31
35148 .....	55
35369 .....	41, 45
35528 .....	13, 15, 17, 19
36048 .....	5, 7
36639 .....	39
39397 .....	35

39432 .....	43
39566 .....	47
39733 .....	55
39739 .....	53
431287 .....	29, 31, 55
52864 .....	13, 15, 17, 19, 21, 23, 25
52909 .....	27, 31, 41, 51, 55
8002588 .....	19, 23
804608 .....	13, 15, 17, 19, 21, 23, 25
804667 .....	67

Sealant	
200996P .....	43, 45
Service Cabinet Kit	
38612QP .....	55
38612WP .....	55
Service Door Assembly	
39874QP .....	5, 7
39874WP .....	5, 7
Shield Assembly	
202965 .....	67
Shipping Brace	
203517 .....	63
Shipping Plug	
38149 .....	63
Shock Warning Label	
F8614201 .....	27, 45
Silicone Grease	
204253 .....	53
Single Coin Harness Assembly	
202870 .....	9
806826 .....	9
Single Overlay	
38717 .....	5
Siphon Break Kit	
562P3 .....	51
Slide	
26493 .....	49
Spline Insert	
29728 .....	43
Spring Clip	
210202 .....	41
Spring Hook Tool	
321P4 .....	65
Strain Relief	
38384 .....	29
Support Barrel	
56534 .....	29, 31
Switch	
D512973 .....	5
33445 .....	33
70529301 .....	5
Switch Mounting Plate	
29676 .....	31

## T

Terminal	
00568SG .....	61
Terminal Extractor Tool	
283P4 .....	57
Terminal Grounding Clip	
00569SG .....	61

N/A items do not appear in index.

Terminal Tab	
00577 .....	61
Tool Kit	
725P3 .....	65
Top	
203316W .....	31
39167QP .....	29
39167WP .....	29
Top Assembly	
210173WP .....	29
Top Shield	
203947 .....	29
39744 .....	31
Torx Bit	
281P4 .....	65
282P4 .....	65
Transformer	
202757 .....	15, 17, 21, 25
202758 .....	21, 23
Transformer Kit	
203423 .....	13, 15, 17, 19
203424 .....	15, 19
Transmission Assembly	
38165P .....	49
Transmission Case Assembly	
33223P .....	49
Transmission Cover Assembly	
37471 .....	49
Transmission Oil	
27243P .....	49
Transmission Pin Tool	
305P4 .....	63
Transmission Rebuild Kit	
RB150004 .....	49
Transmission Sealant	
37577P .....	49
Tub Assembly	
204429P .....	43
39252P .....	43
Tub Cover Assembly	
202461 .....	45
203539 .....	45
Tub Cover Gasket	
38359 .....	45
Tub Cover Removal Tool	
273P4 .....	65
Tub Kit	
39250P .....	43
Tube	
202333 .....	39
Tubing	
202700 .....	47
203802 .....	47
Tub-to-Pump Hose	
38351 .....	51

## U

USB Gateway Kit	
NK330 .....	13, 15, 17, 19, 21, 23, 25

## V

Valve to Inlet Hose	
202884 .....	35
204400 .....	35

## W

Warning Label	
D500049 .....	45
D500314 .....	45
D500316 .....	27
Washer	
D504082 .....	39
M400017 .....	13, 15, 17, 19
20290 .....	37
203950 .....	53
21735 .....	59
26509 .....	49, 53
27015 .....	53
28094 .....	43
29260 .....	49
35092 .....	49
35535 .....	53
37772 .....	41
39249 .....	29, 31, 47
52549 .....	39
802254 .....	37
803615 .....	37
81392 .....	39
Washtub Gasket	
39122 .....	43
Washtub Kit	
719P3 .....	43
Weldment and Bearing Assembly	
39253 .....	53
39254 .....	53
Wire Clip	
D504034 .....	61
51291 .....	61
Wire Guard	
201595P .....	9
Wire Harness Assembly	
203079 .....	67
Wire Tie	
70296701 .....	61
Wireless Network Board Harness	
F8536002 .....	17, 25
Wireless Network Control Assembly	
203532 .....	17, 25
807211 .....	17, 25
Wireless Network Harness	
F8674006 .....	17, 25
Wireless Network Kit	
203889 .....	13, 15, 19, 21, 23
204689 .....	13, 15, 19, 21, 23
Wire, 12 Gauge	
45380 .....	67
Wire, 18 Gauge	
45001 .....	67

Wiring Harness Assembly  
202869 ..... 15, 21, 23, 25

---

