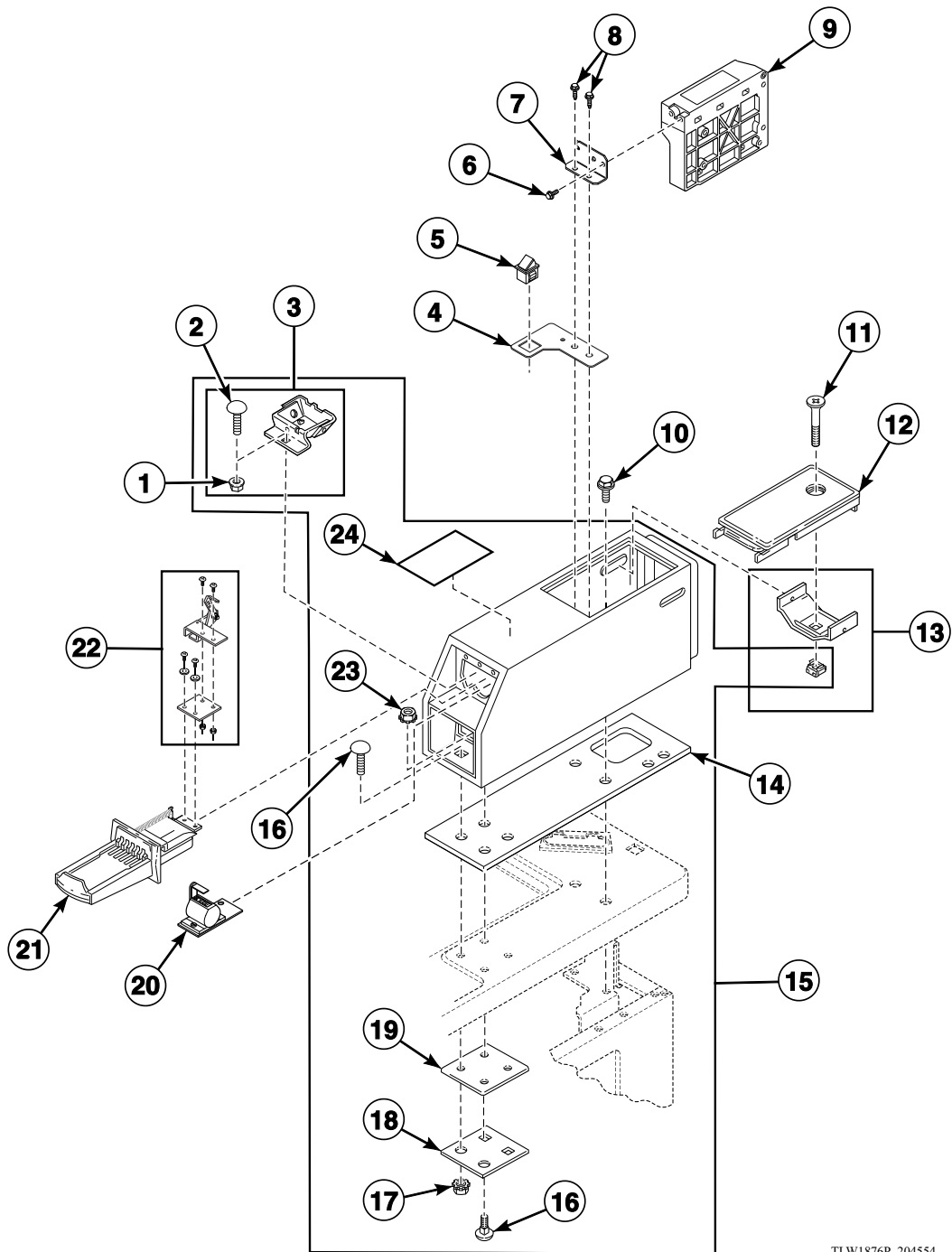




Registered Trademark of Alliance Laundry Systems, LLC
© 2022 All Rights Reserved

Manual: **204554** Product: **Topload Washer** Model: **SWNSX2SP115TW02** Date: **11/30/2022 12:46 PM**

Coin Slide Extension, Meter Case and Control

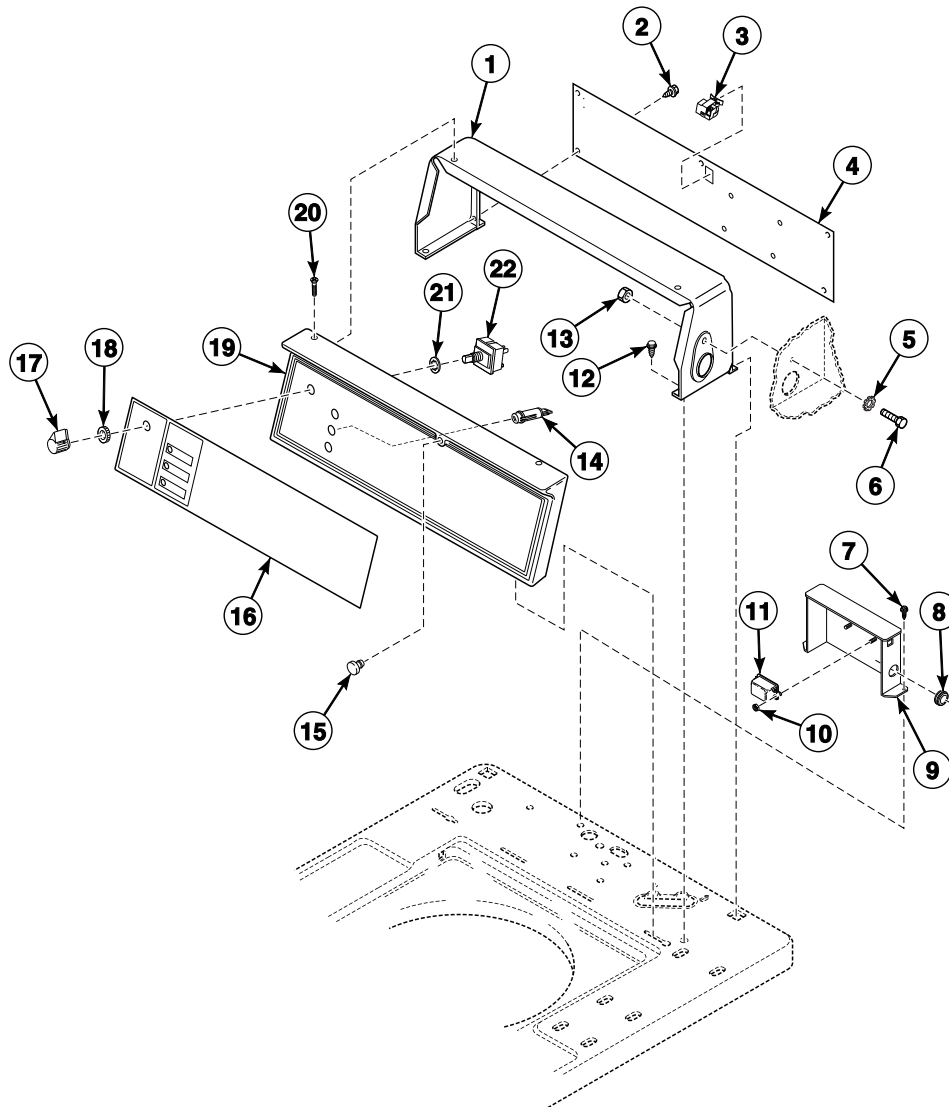


TLW1876P_204554

Ref	Part	Description	Comments
1	29796	Nut	
2	29651	Bolt	
3	523P3	Coin Funnel Kit	
4	803662	Bracket	
5	70529301	Switch	
6	D501524	Screw	

Ref	Part	Description	Comments
7	201581	Chassis Mounting Bracket	
8	D503688	Screw	
9	202792P	Control Assembly	
10	36048	Screw	
11	D503673	Screw	
12	39874QP	NOT ON YOUR MODEL	
	39874DG	NOT ON YOUR MODEL	
	39874WP	Service Door Assembly	White
13	204616	Meter Case Locking Bracket Kit	
14	26354	Meter Case Gasket	
15	803575WP	Meter Case Assembly Kit	White; High capacity; Includes items 3, 4 and 11-13
	803575DG	Meter Case Assembly Kit	Gray; High capacity; Includes items 3 and 4
	803575Q	Meter Case Assembly	Bisque; High capacity; Includes items 3 and 4
	803578P	Coin Box Extension Kit	Use with 803575W, 803575Q or 803575DG Meter Case Assembly to extend shorter 7-inch coin boxes
	201010QP	Meter Case Kit	Bisque; Standard capacity; Includes items 3, 13, 14, 16-19 and 23
	807398W	Meter Case Kit	White; Standard capacity; Includes switch, harness, items 3, 13, 14, 16-19 and 23
16	203798	Bolt	
17	29786	Nut	
18	35525	Meter Case Lockdown Bracket	
19	35526	Meter Case Bracket Gasket	
20	201280P	Mechanical Counter Kit Assembly	
21	CK001	Coin Slide Kit	U.S.A.; Vert 5 Greenwald
	CK009	Coin Slide Kit	STD-118-1 Token
	CK010P	Coin Slide Kit	STD-118-5 Token
	CK011	Coin Slide Kit	STD-118-10 Token
	CK014	Coin Slide Kit	U.S.A.; Vert 8 ESD; Includes standard capacity coin box
	CK124	Coin Slide Kit	U.S.A.; Vert 8 ESD; Includes high capacity coin box
	CK017	Coin Slide Kit	Chilly Willy Token
	CK027	Slide	Tokette
22	200913	Coin Slide Extension Kit	Includes spring and items 4 and 5
	804794	Spring	
23	802337	Nut	
24	203152	Operation Instruction Label	

Control Panel, Control Hood and Controls (Drawing 3 of 9)

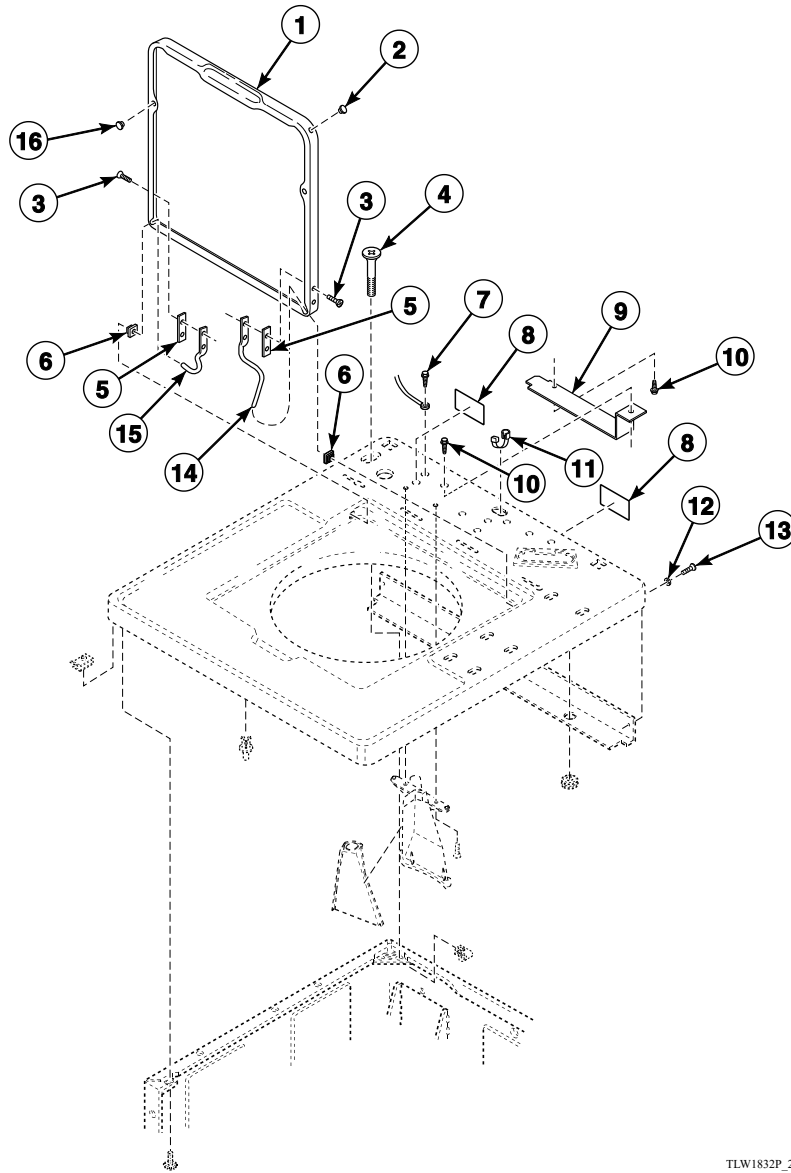


TLW1905P

Ref	Part	Description	Comments
1	37075W	Control Hood	White
	37075Q	Control Hood	Bisque
	37075DG	Control Hood	Gray
2	23222	Screw	
3	203843	Pressure Sensor	Mounted here through Serial No. 1806000001; Mounted to mixing valve bracket starting Serial No. 1806000001
4	202465	Hood Back Panel	
5	M400017	Washer	
6	02916	Screw	
7	685847	NOT ON YOUR MODEL	

Ref	Part	Description	Comments
8	80262	NOT ON YOUR MODEL	
9	203068	NOT ON YOUR MODEL	
10	29787	NOT ON YOUR MODEL	
11	804864	NOT ON YOUR MODEL	
12	D501086	Screw	
13	44087101	Nut	
14	801431	Light	
15	202469	Control Panel Bumper	
	M400795	Bumper	Extra thick
16	203479	NOT ON YOUR MODEL	
	203598	NOT ON YOUR MODEL	
	203597	NOT ON YOUR MODEL	
	204321	NOT ON YOUR MODEL	
	205348	NOT ON YOUR MODEL	
	203493	Control Overlay	
17	39897	Switch Knob	
18	24205	Nut	
19	36521WP	Control Panel and Bracket Assembly	White
	36521QP	Control Panel and Bracket Assembly	Bisque
	36521	Control Panel and Bracket Assembly	Gray
20	D500226	Screw	Phillips head
	35528	Screw	Torx head
21	91176	Washer	
22	201686	Cycle Selector Switch	

Lid and Cabinet Top (Drawing 1 of 2)

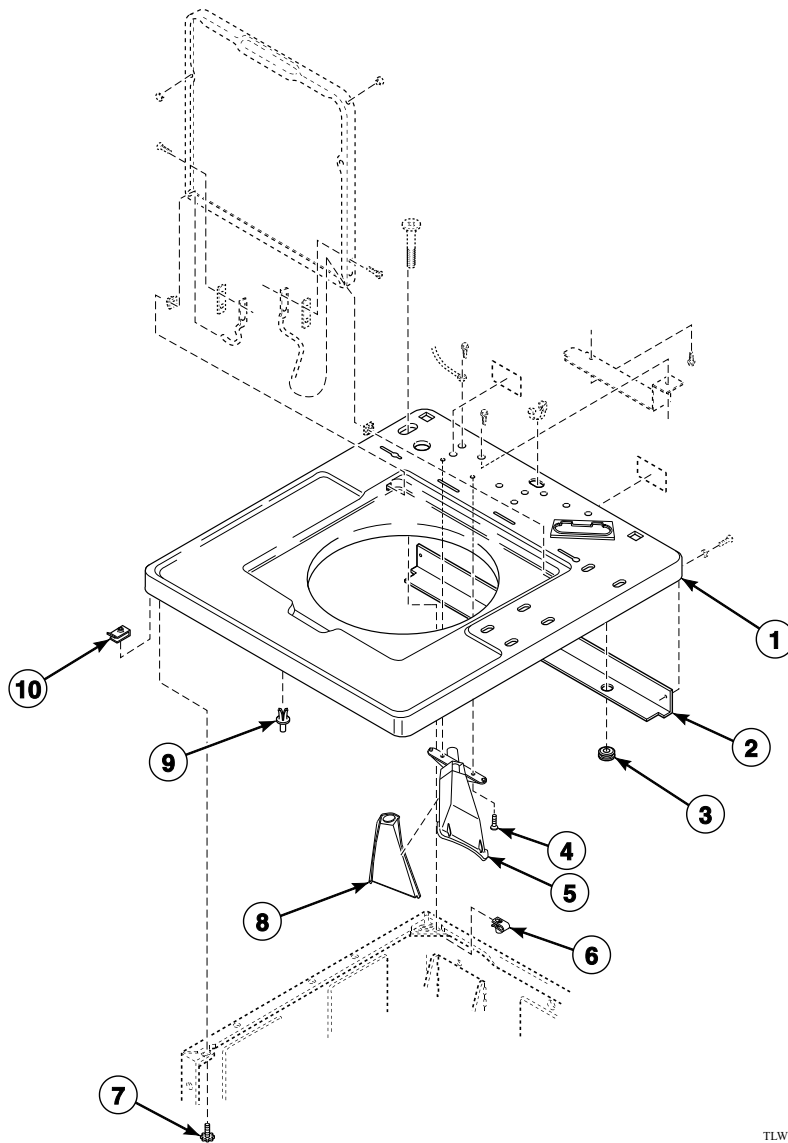


TLW1832P_204554

Ref	Part	Description	Comments
1	33450DG	Lid	Gray
	204615W	Lid	White
	203045	Lid Warning Label	
2	34153	Lid Plug	
3	34337	Screw	
4	D503673	Screw	Optional; For added security
5	34338	Hinge Gasket	
6	33446	Bushing	
7	52909	Screw	
8	F8211201	Electrical Shock Label	Icon

Ref	Part	Description	Comments
	D500316	Warning Label	English/French
	D505281	Disconnect Power Warning Label	English
9	202083	Bracket	
10	23962	Screw	
11	38384	Strain Relief	
12	39249	NOT ON YOUR MODEL	
13	431287	NOT ON YOUR MODEL	
14	36437	Lid Hinge	Right
15	36438	Lid Hinge	Left
16	21685	Bumper	

Lid and Cabinet Top (Drawing 2 of 2)

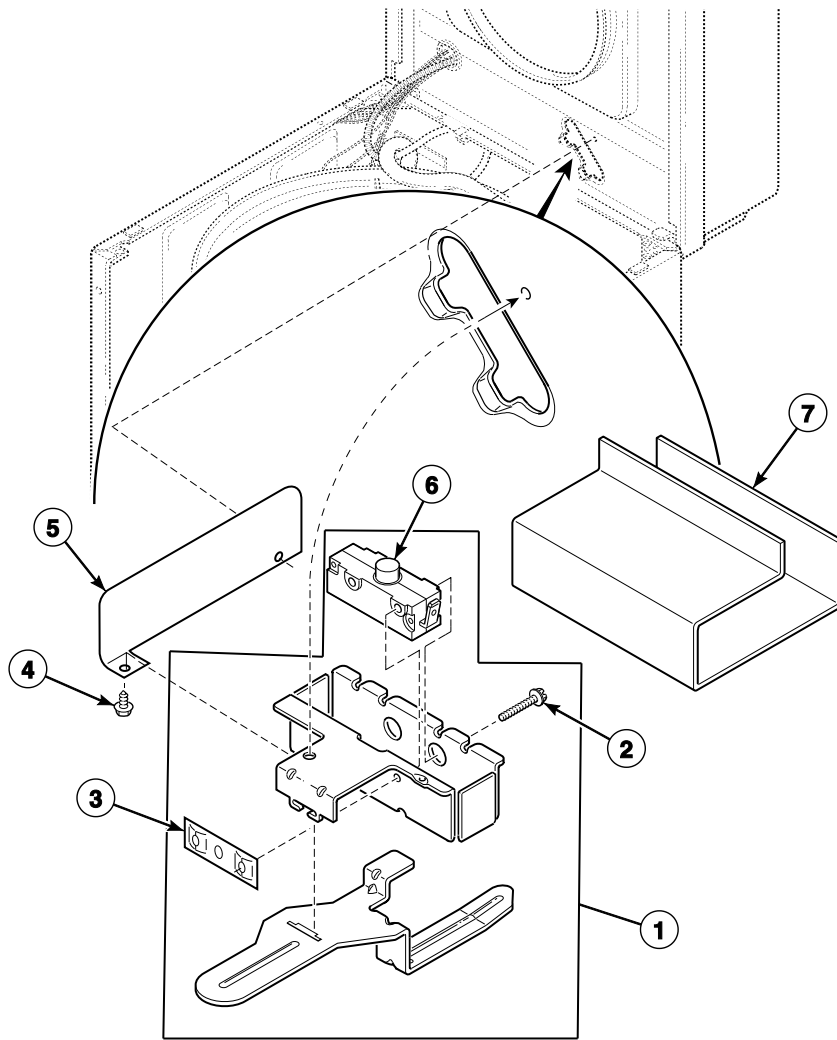


TLW1832PA_204554

Ref	Part	Description	Comments
1	210173WP	NOT ON YOUR MODEL	
	203579DG	NOT ON YOUR MODEL	
	39167QP	NOT ON YOUR MODEL	
	39167WP	Top	White
2	203947	NOT ON YOUR MODEL	
3	80262	NOT ON YOUR MODEL	
4	23962	Screw	
5	203509	Inlet Deflector	
6	27222	Nut	Optional; For added security
7	23008	Screw	

Ref	Part	Description	Comments
8	202894	Inlet Cover	
9	56534	Support Barrel	
10	36020	Nut	

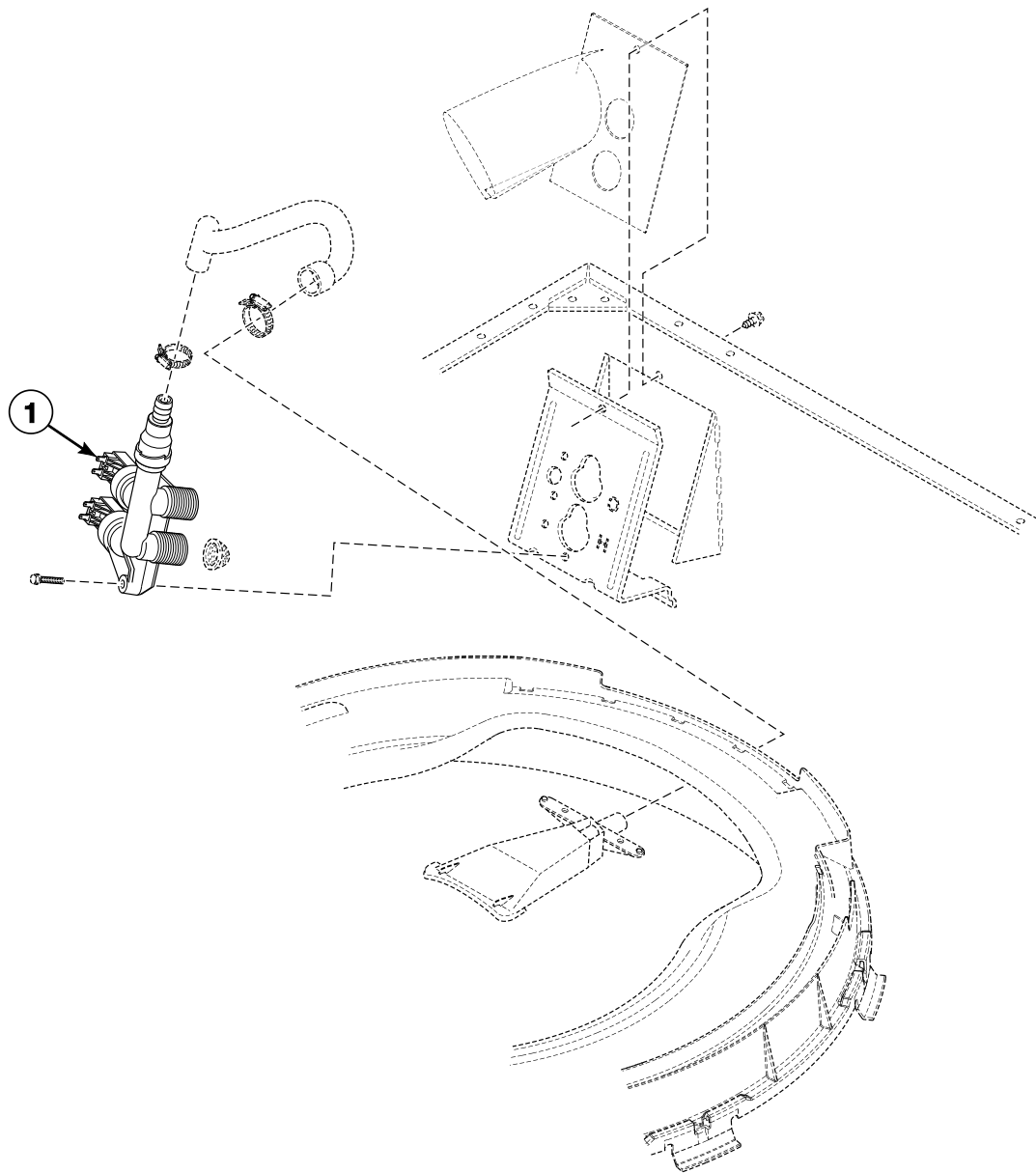
Lid Switch



TLW1803P_204554

Ref	Part	Description	Comments
1	204980	NOT ON YOUR MODEL	
	204696	Lid Switch Kit	
2	M402574	NOT ON YOUR MODEL	
	204656	Screw	
3	M400981	NOT ON YOUR MODEL	
	M400979	Nut	
4	23962	Screw	
5	202697	NOT ON YOUR MODEL	
6	37830	NOT ON YOUR MODEL	
7	204538	NOT ON YOUR MODEL	

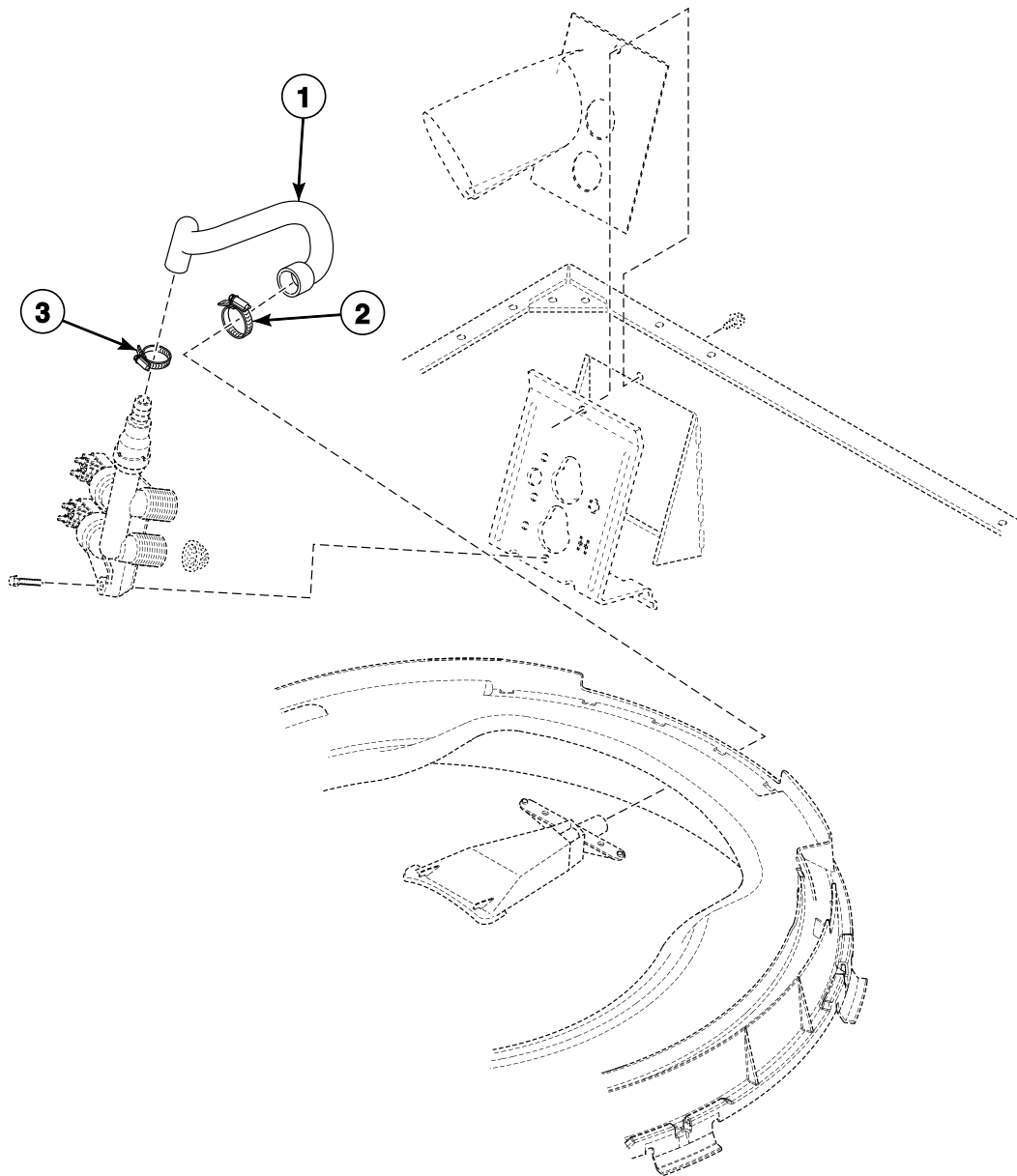
Mixing Valve (Drawing 2 of 2)



TLW1836P_204554

Ref	Part	Description	Comments
1	202395P	Mixing Valve	GHT thread; Through Serial No. 1812016076
	203741	Mixing Valve	GHT thread; Starting Serial No. 1812016077

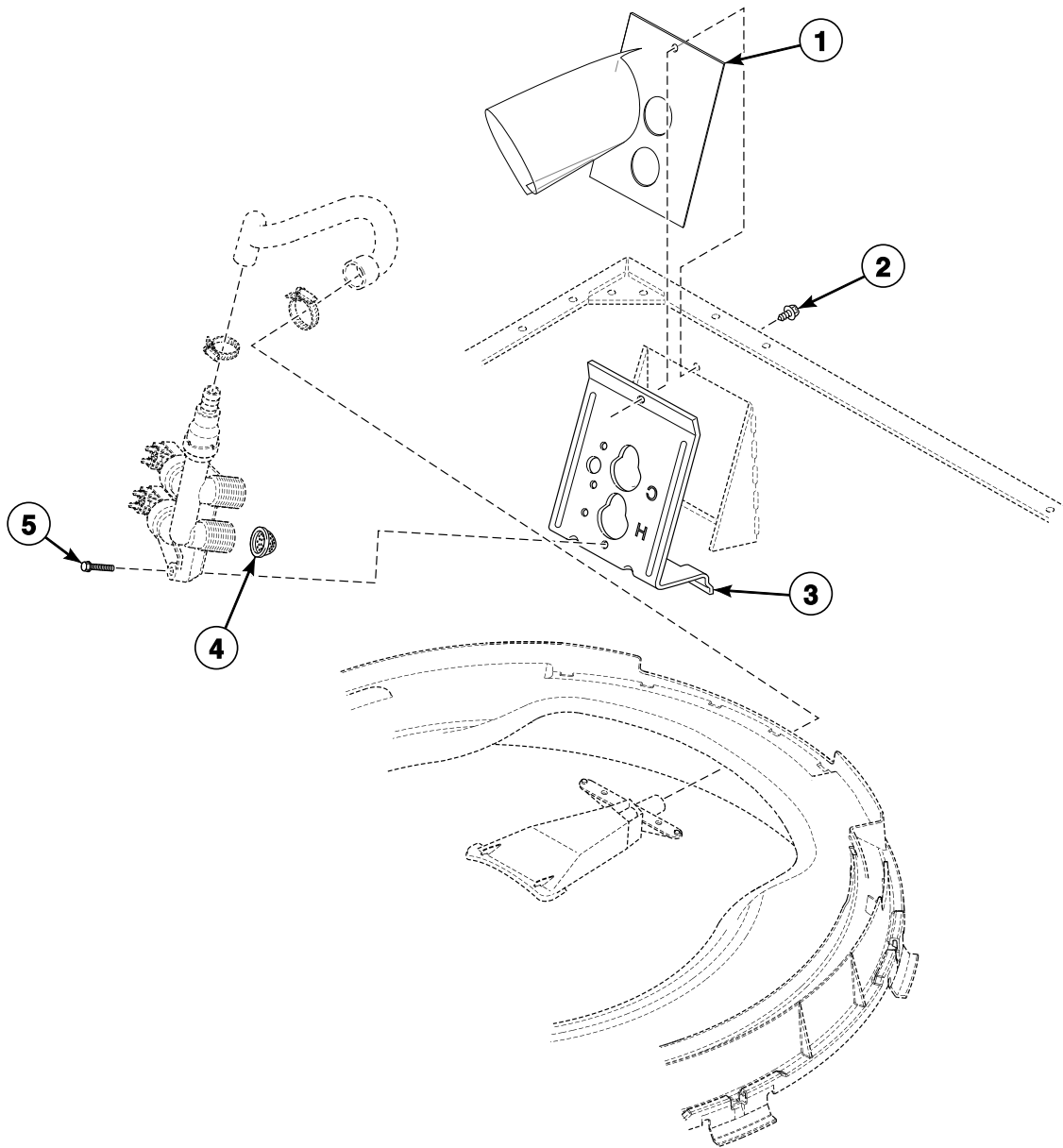
Mixing Valve-to-Inlet Hose



TLW1836PA_204554

Ref	Part	Description	Comments
1	202884	Valve to Inlet Hose	starting Serial No. 1806000001 and continuing through Serial No. 1812016076
	204400	Valve to Inlet Hose	starting Serial No. 1812016077
2	800803	Hose Clamp	
3	36801	Hose Clamp	

Mixing Valve Bracket

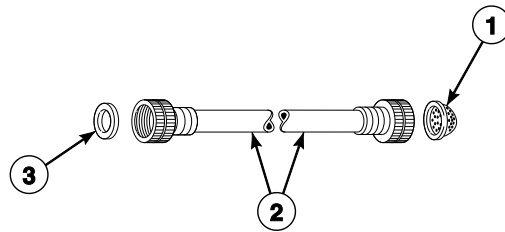


TLW1836PB_204554

Ref	Part	Description	Comments
1	202899	NOT ON YOUR MODEL	
	204247	NOT ON YOUR MODEL	
2	33562	Screw	
3	39407	Mixing Valve Mounting Bracket	Through Serial No. 1805999999
	204117	Mixing Valve Mounting Bracket	starting Serial No. 1806000001 and continuing through Serial No. 1812016076; Pressure sensor mounted here

Ref	Part	Description	Comments
	203558	Mixing Valve Mounting Bracket	starting Serial No. 1812016077; Pressure sensor mounted here
4	24122	Mixing Valve Screen	
5	39397	Screw	

Fill Hose

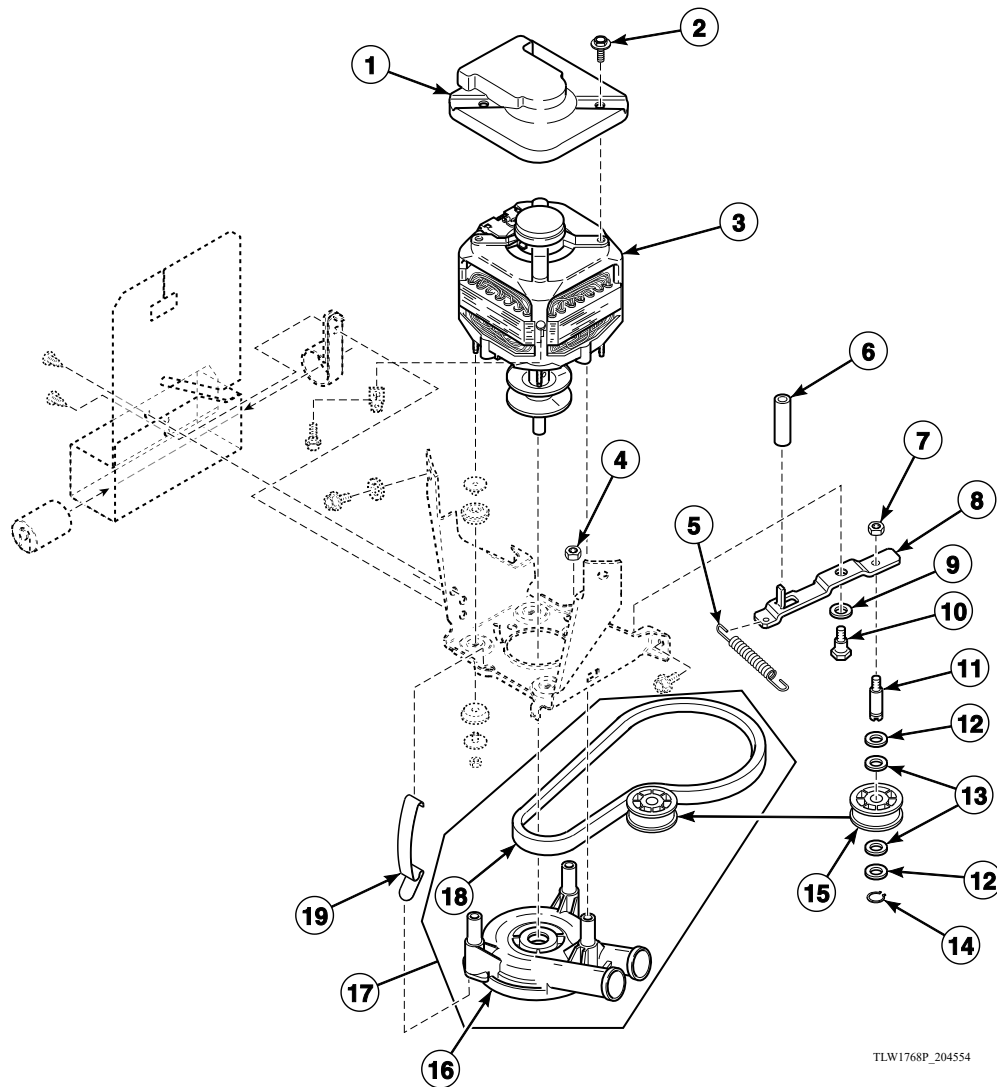


TLW1833P_204554

Ref	Part	Description	Comments
1	803615	Washer	Filter screen
	802254	Washer	Flow restrictor; Water pressure reducer; Available for water pressure up to but not exceeding 120 psi
2	203750	Fill Hose	Marked for cold water; 4 feet; 1 BSPP thread hose coupling and 1 GHT thread hose coupling
	203718	Fill Hose	Marked for hot water; 4 feet; 1 BSPP thread hose coupling and 1 GHT thread hose coupling
	203720	Fill Hose	Marked for cold water; 4 feet; 2 GHT thread hose couplings
	203719	Fill Hose	Marked for hot water; 4 feet; 2 GHT thread hose couplings
	204103	Fill Hose	Marked for cold water; 4 feet; 2 BSPP thread hose couplings
	204102	Fill Hose	Marked for hot water; 4 feet; 2 BSPP thread hose couplings

Ref	Part	Description	Comments
3	20290	Washer	

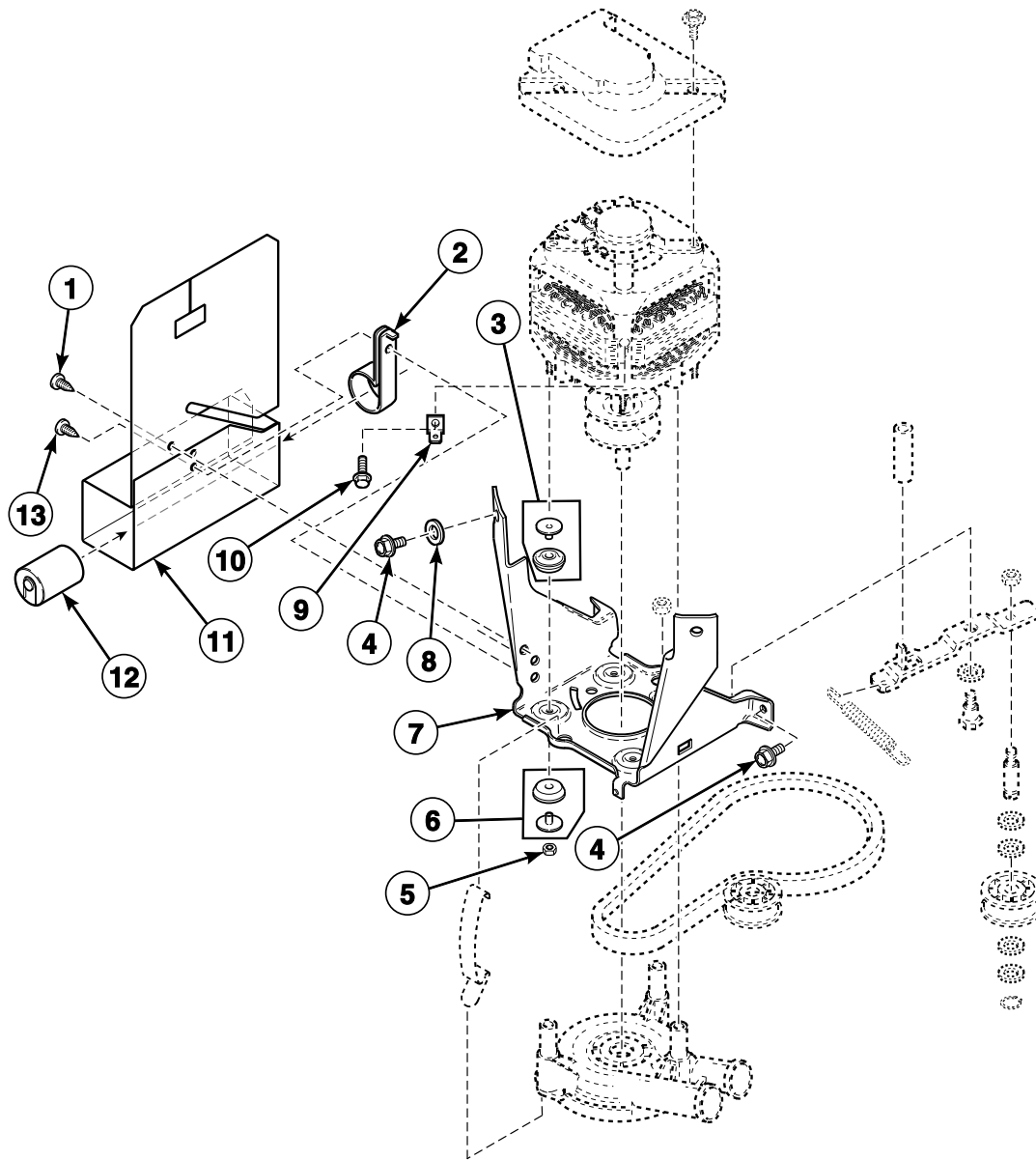
Motor, Belt, Pump and Idler Assembly (Drawing 1 of 2)



Ref	Part	Description	Comments
1	34754	Motor Shield	
2	31645	Screw	
3	202544P	NOT ON YOUR MODEL	
	202960	NOT ON YOUR MODEL	
	202971	NOT ON YOUR MODEL	
	38034P	Motor Kit	
4	52566	Nut	
5	201189	Idler Lever Spring	
	202032	Idler Lever Spring	Use on units experiencing low RPM
6	202333	NOT ON YOUR MODEL	

Ref	Part	Description	Comments
7	28803	Nut	
8	38011	Idler Lever	
9	81392	Washer	
10	27229	Screw	
11	210186	Idler Shaft	
12	D504082	Washer	
13	52549	Washer	Nylatron
14	23748	Retaining Ring	
15	38225P	Idler Pulley	
16	205218P	Pump Assembly Kit	Heavy duty
17	RB150003	Belt and Pump Kit	Includes items 16 and 18
18	200923	NOT ON YOUR MODEL	
	38174	Agitate and Spin Belt	
19	210202	Spring Clip	

Motor, Belt, Pump and Idler Assembly (Drawing 2 of 2)

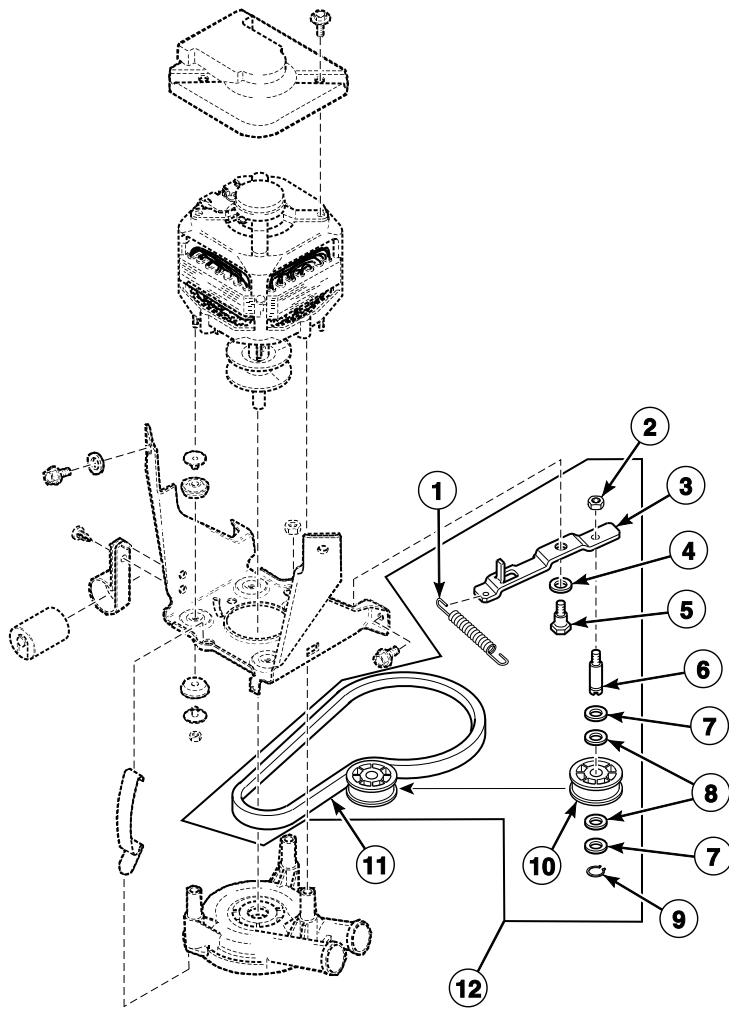


TLW1768PA_204554

Ref	Part	Description	Comments
1	31645	Screw	
2	37535	Capacitor Clamp	
3	204063	Motor Mount and Isolator Assembly	
4	35369	Screw	
5	35423	Nut	
6	204062	Motor Mount and Isolator Assembly	

Ref	Part	Description	Comments
7	200941	Motor Mount Bracket	
8	37772	Washer	
9	00177	NOT ON YOUR MODEL	
10	20530	NOT ON YOUR MODEL	
11	203053	Motor Drip Shield	Through Serial No. 1811000001
12	203140	NOT ON YOUR MODEL	
	203141	NOT ON YOUR MODEL	
	39259P	NOT ON YOUR MODEL	
	37377	Capacitor	
13	52909	Screw	

Idler Lever Kits

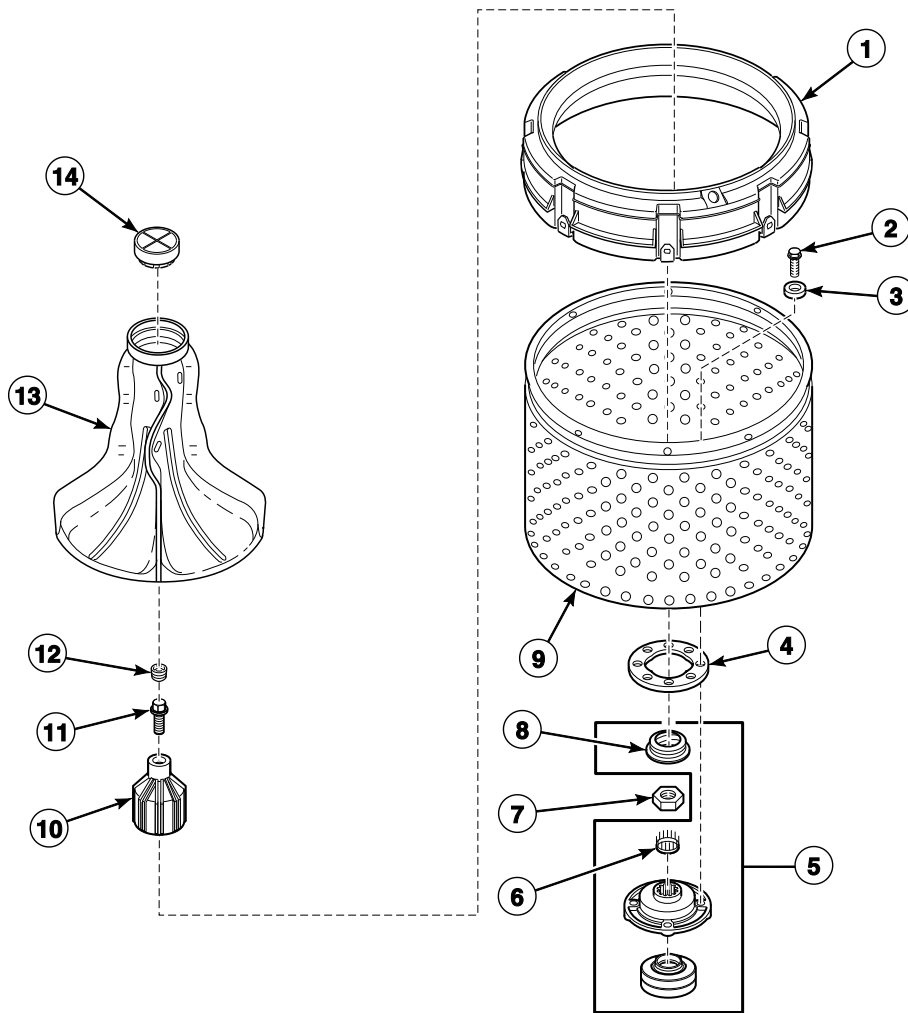


TLW1731PA_204554

Ref	Part	Description	Comments
1	202032	Idler Lever Spring	
2	28803	Nut	
3	38011	Idler Lever	
4	81392	Washer	
5	27229	Screw	
6	210186	Idler Shaft	
7	D504082	Washer	
8	52549	Washer	Nylatron
9	23748	Retaining Ring	
10	38225P	Idler Pulley	

Ref	Part	Description	Comments
11	200923	NOT ON YOUR MODEL	
	38174	Agitate and Spin Belt	
12	202972	NOT ON YOUR MODEL	
	959P3	Idler Lever Kit	Includes items 1-11

Agitator, Drive Bell, Hub and Lip Seal Kit and Washtub

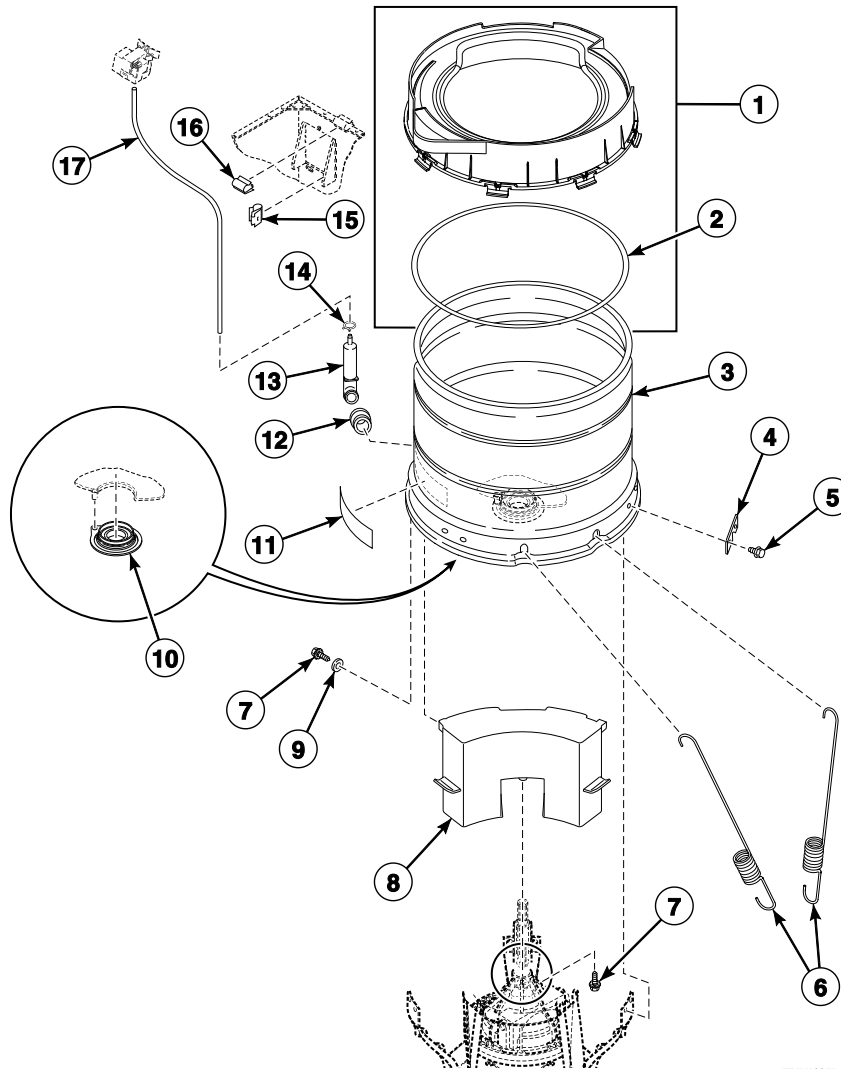


TLW1483P_204554

Ref	Part	Description	Comments
1	39837	Balance Ring Assembly	
2	27202	Screw	
3	28094	Washer	Rubber; Use with porcelain washtub
4	39122	Washtub Gasket	
5	766P3A	Hub and Lip Seal Kit	DO NOT use any sealant other than 200996P Sealant; Includes item 10 and installation tool
	200996P	Sealant	Use with hub and lip seal kit
6	29728	Spline Insert	
7	29220	Nut	
8	36425	Bell and Transmission Tube Seal	
	36765P	Grease	Use with bell and transmission tube seal

Ref	Part	Description	Comments
9	203882P	NOT ON YOUR MODEL	
	719P3	Washtub Kit	Stainless steel
10	39508P	Drive Bell and Seal Kit	Includes items 8, 11 and 12
11	39432	Screw	
12	36511	Bell Plug	
13	36507	NOT ON YOUR MODEL	
	33174	Agitator	
14	36515	Agitator Cap	

Outer Tub, Cover, Bearing and Seal Housing and Counterweight

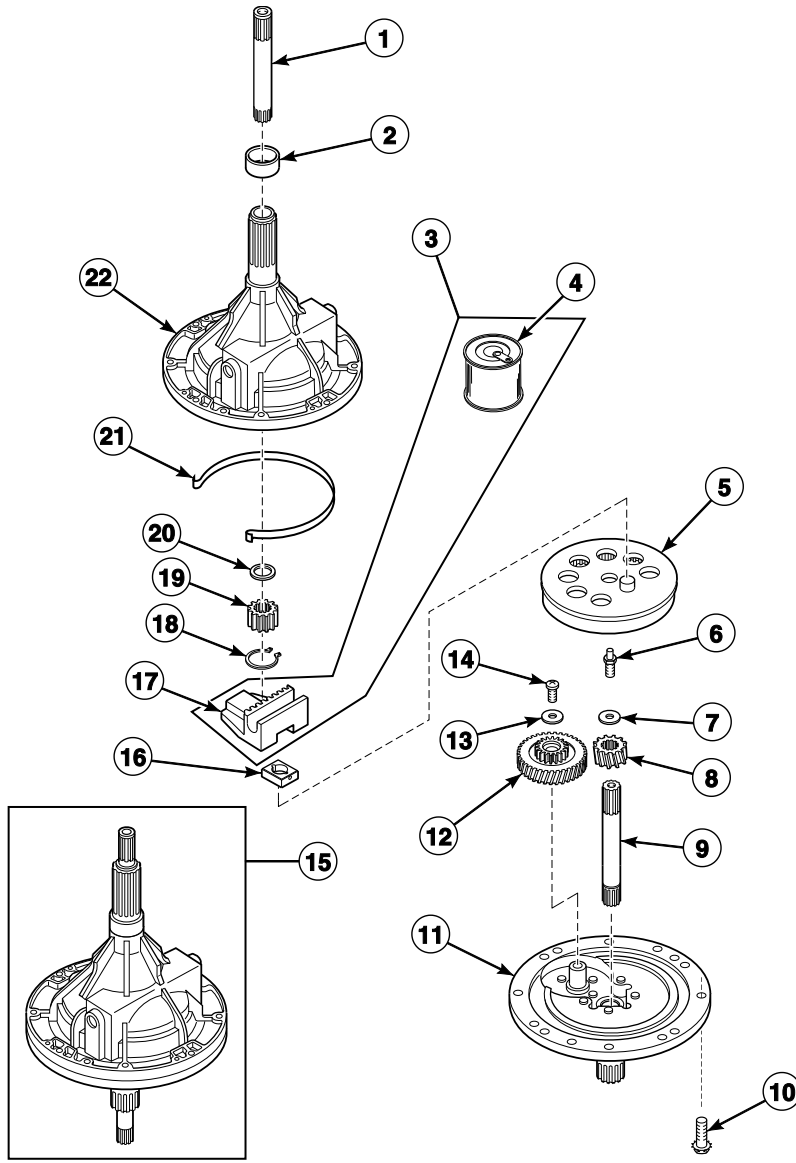


TLW1837P_204554

Ref	Part	Description	Comments
1	205300	Tube Cover Assembly	
2	38359	Tube Cover Gasket	
3	203603P	Outer Tub Assembly	
4	27926	Leg Plate	
5	35369	Screw	
6	201521	NOT ON YOUR MODEL	
	37575	Leg Spring	
7	39566	Screw	
8	38769	Counterweight Assembly	
9	39249	Washer	

Ref	Part	Description	Comments
10	766P3A	Hub and Lip Seal Kit	
	200996P	Sealant	Use with hub and lip seal kit
11	F8615701	Pinch Warning Label	Icon
	D500049	Warning Label	English
	D500314	Warning Label	English/French
12	29175	Grommet	
13	205241	Pressure Bulb	
14	39282	Hose Clamp	
15	36985	Hose Clip	
16	21036	Cable Clip	
17	202700	Tubing	Through Serial No. 1806000001
	203802	Tubing	Starting Serial No. 1806000001

Transmission Assembly

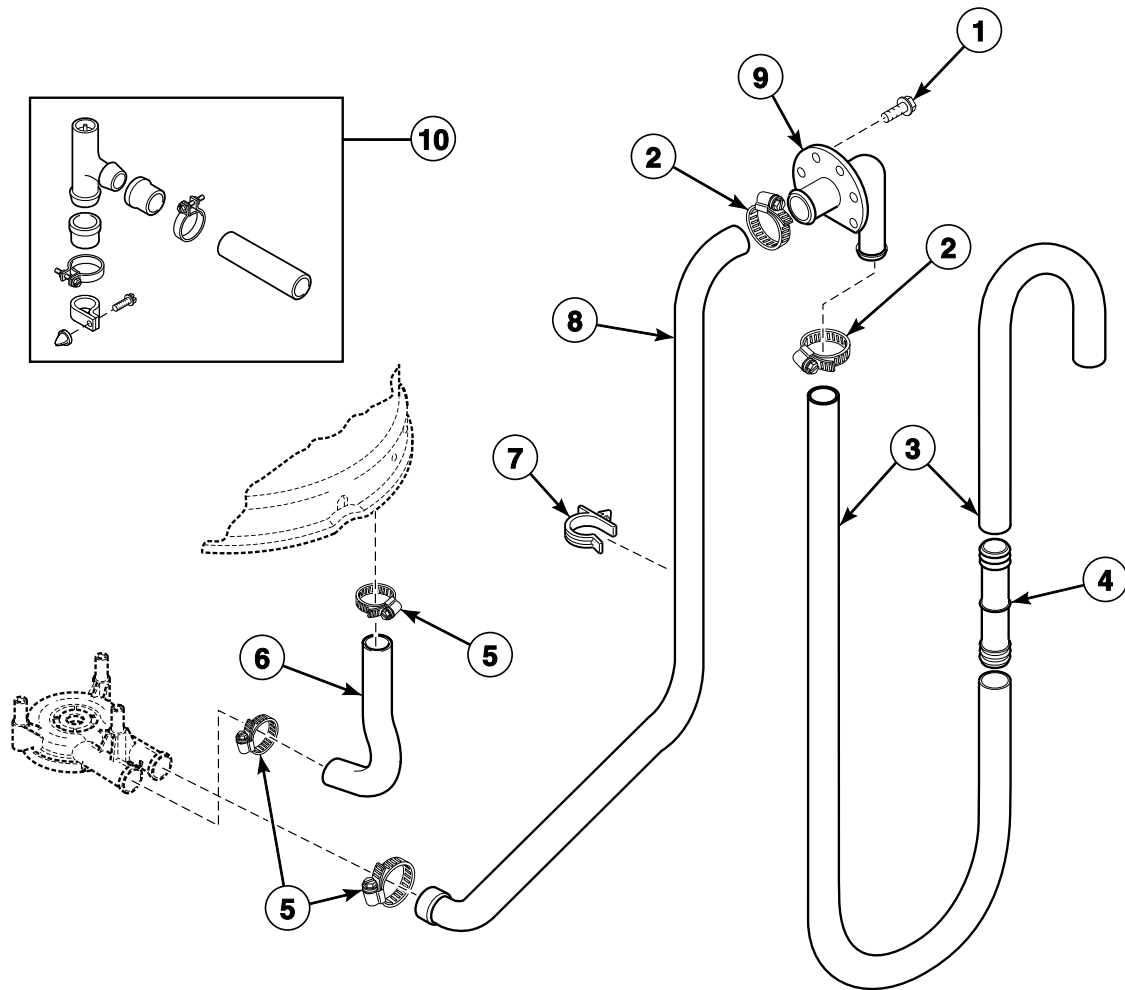


TLW1720P_204554

Ref	Part	Description	Comments
	27604P	Anti-Seize Compound	Apply to the smooth area of both the upper and lower transmission shafts
	37577P	Transmission Sealant	Use between transmission case and cover
1	36570P	Output Shaft	
2	201212	Hub Spacer	
3	RB150004	Transmission Rebuild Kit	Includes 37577P Transmission Sealant
4	27243P	Transmission Oil	1 fill
5	26577	Gear and Stud Assembly	
6	201773	Screw	
7	26509	Washer	
8	37405	Drive Pinion	

Ref	Part	Description	Comments
9	38268P	Input Shaft	
10	32814	Screw	
11	37471	Transmission Cover Assembly	
12	37404P	Reduction Gear	
13	29260	Washer	
14	29273	Screw	
15	38165P	Transmission Assembly	
16	26493	Slide	
17	201664	Rack	
18	27197	Retaining Ring	
19	27003	Agitator Pinion	
20	35092	Washer	
21	38864	Gear Sleeve	
22	33223P	Transmission Case Assembly	

Drain Hoses and Siphon Break Kit

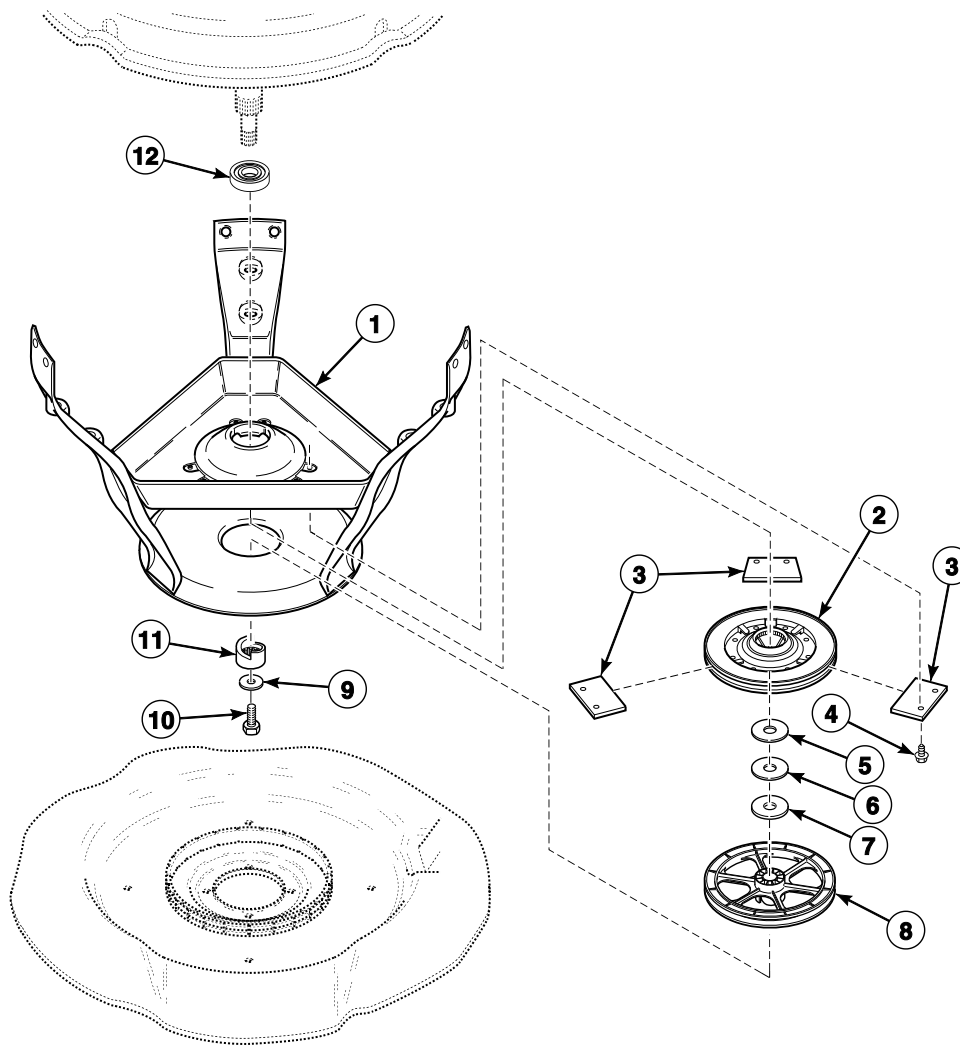


W354P_204554

Ref	Part	Description	Comments
	451P3	Drain Extension Kit	
1	52909	Screw	
2	20211	Hose Clamp	
3	28293	Drain Hose	
4	25863	Hose Coupler	If drain hose must be shortened, cut hose between molded end and molded elbow; Use one hose coupler to splice hose

Ref	Part	Description	Comments
5	F200204	Hose Clamp	
6	38351	Tub-to-Pump Hose	
7	36014	Retainer Clip	
8	38273	Pump-to-Drain Elbow Hose	
9	35766	NOT ON YOUR MODEL	
	36990	Drain Hose Elbow	
10	562P3	Siphon Break Kit	Siphon break kit must be installed in drain hose if drain receptacle is lower than cabinet top of washer

Weldment and Bearing Assembly, Brake and Pulley

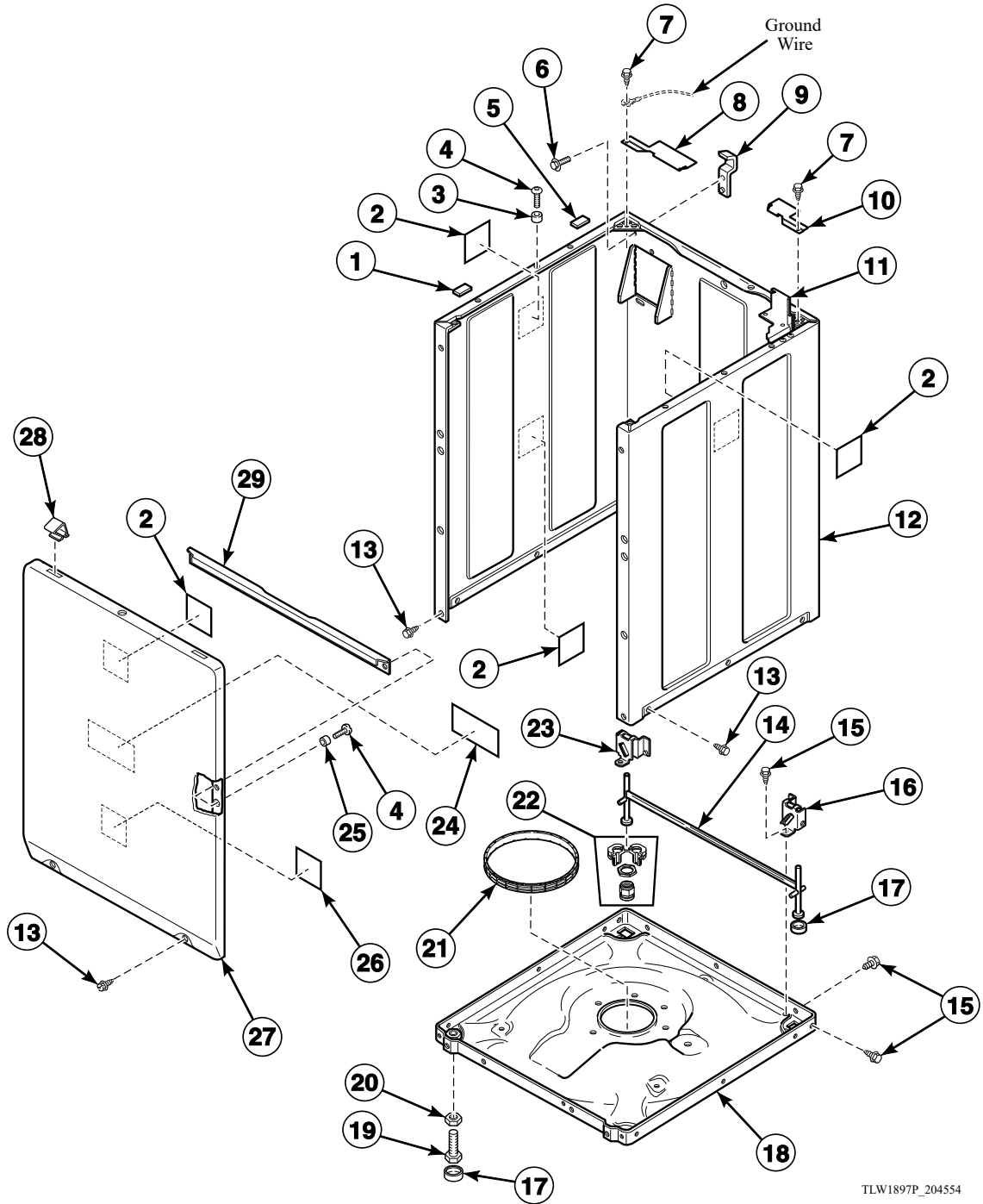


TLW1841P_204554

Ref	Part	Description	Comments
1	39253	Weldment and Bearing Assembly	
2	38505P	Brake Kit	
3	735P3	Brake Pad Kit	Includes 3 pads
	204253	Silicone Grease	Apply small amount to each new brake pad
4	39739	Screw	
5	35535	Washer	Thin
6	27015	Washer	Thick
7	203950	Washer	
	204253	Silicone Grease	Apply small amount to washer
8	204942	NOT ON YOUR MODEL	

Ref	Part	Description	Comments
	204486	Pulley	
9	26509	Washer	
10	27220	Screw	
11	38008	Helix	
12	28944RP	Lower Bearing	

Front Panel, Base Assembly and Cabinet Kit



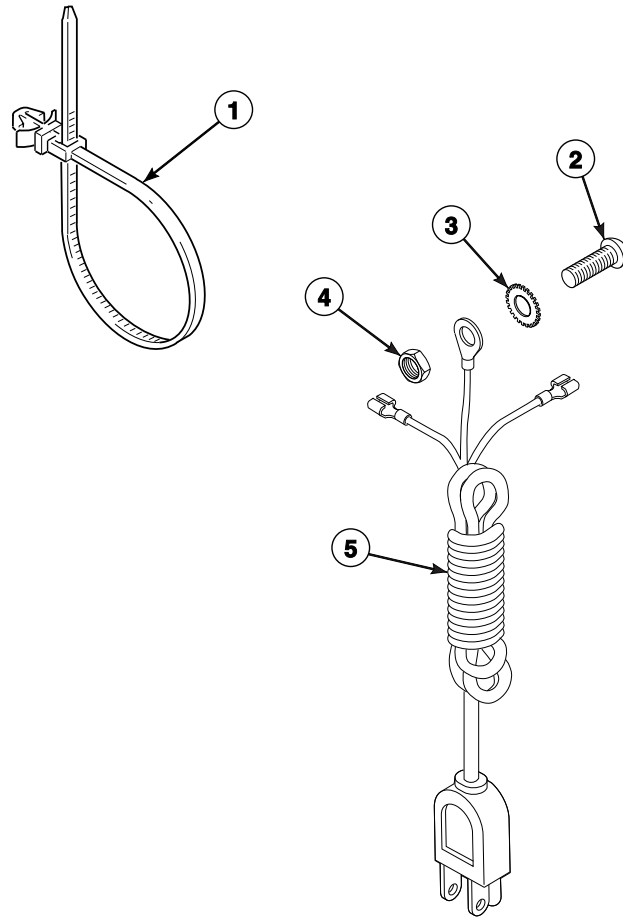
TLW1897P_204554

Ref	Part	Description	Comments
122P4P	Porcelain Touch-Up Paint	White	White
370P4P	Porcelain Touch-Up Paint	Bisque	Bisque
806436P	Paint	Dark gray	Dark gray
803260	Warning Label	English/French; Disconnect power	English/French; Disconnect power
F8211201	Electrical Shock Label	Icon; Electric shock	Icon; Electric shock

Ref	Part	Description	Comments
	D516073	Notice Label	Icon; Read instructions
1	56128	Bumper Pad	
2	39480	Foam Pad	
3	56079	Panel Locator	
4	39733	Screw	
5	36226	Bumper Pad	
6	D501524	Screw	
7	D501086	Screw	
8	204245	NOT ON YOUR MODEL	
9	27103	Hold-Down Lug Hinge	
10	204246	NOT ON YOUR MODEL	
11	35915	Meter Case Mounting Bracket Assembly	
12	38612WP	Service Cabinet Kit	White
	38612QP	Service Cabinet Kit	Bisque
	38612DG	Service Cabinet Kit	Dark gray
13	27196	Screw	Slotted hex head
	431287	Screw	Torx head
14	34443	Leg and Stabilizer Assembly	
15	35148	Screw	
16	36036	Bracket	Right
17	34318	Rubber Foot	
18	39788	Base Assembly	
19	34319	Leveling Leg	
20	21899	Nut	
21	37937	Friction Ring	
22	566P3	Adjustable Leg Extension Kit	Provides adjustment capabilities to rear self-leveling legs
23	36037	Bracket	Left
24	36204	Front Panel Pad	
25	28102	Panel Locator	
26	203484	Foam Pad	
27	204870	Front Panel	White
	38335QP	Front Panel	Bisque
	38335DG	Front Panel	Dark gray
28	35865	Hold-Down Clip	

Ref	Part	Description	Comments
29	35097	Front Panel Brace	

Lead-In Cord and Cable Ties

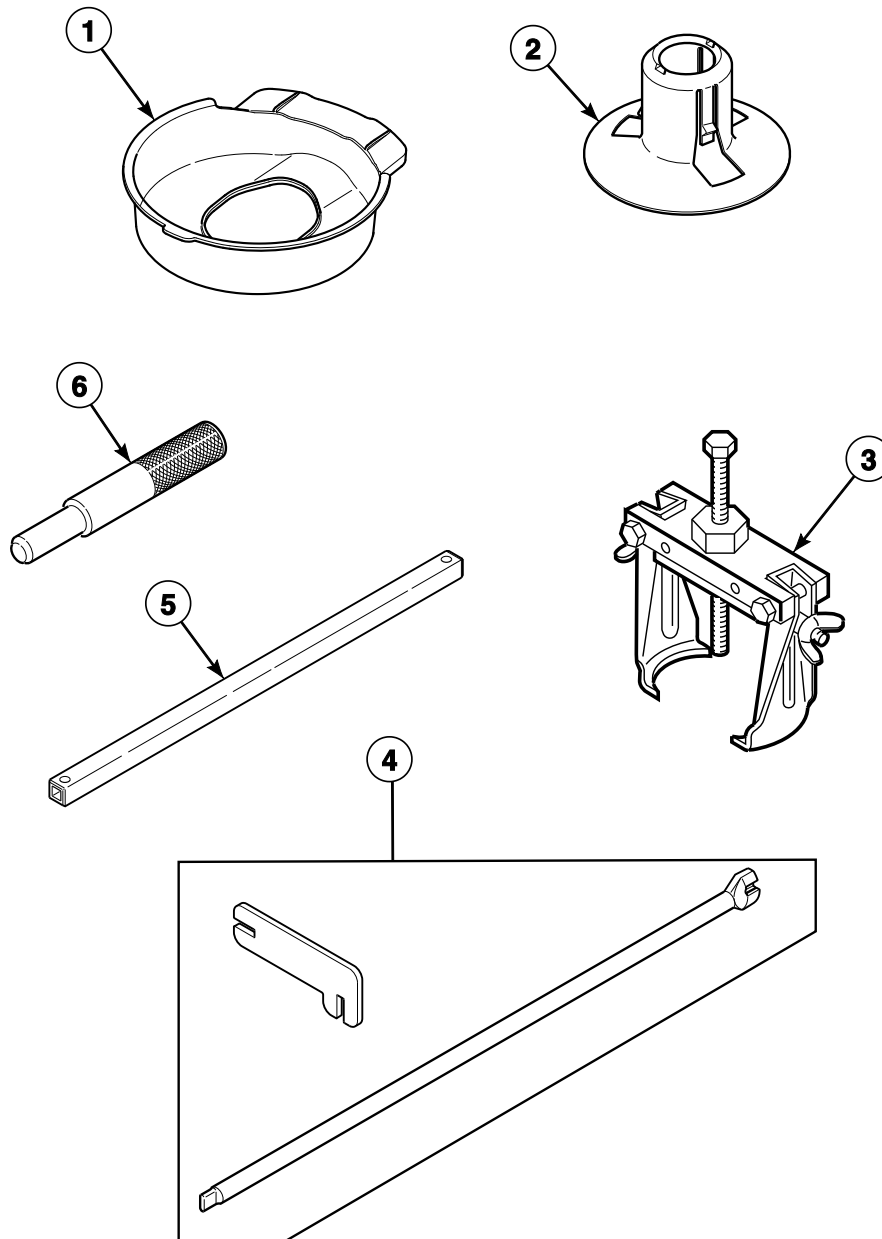


TLW1904P

Ref	Part	Description	Comments
1	804724	NOT ON YOUR MODEL	
2	20267	Screw	
3	21735	Washer	
4	03673	Nut	
5	203120	NOT ON YOUR MODEL	
	203108	NOT ON YOUR MODEL	
	203119	NOT ON YOUR MODEL	
	203122	NOT ON YOUR MODEL	
	203345	NOT ON YOUR MODEL	
	203106	NOT ON YOUR MODEL	

Ref	Part	Description	Comments
203121		NOT ON YOUR MODEL	
203309		NOT ON YOUR MODEL	
205335		NOT ON YOUR MODEL	
203315		NOT ON YOUR MODEL	
202777		Lead-In Cord	

Shipping Materials and Special Tools

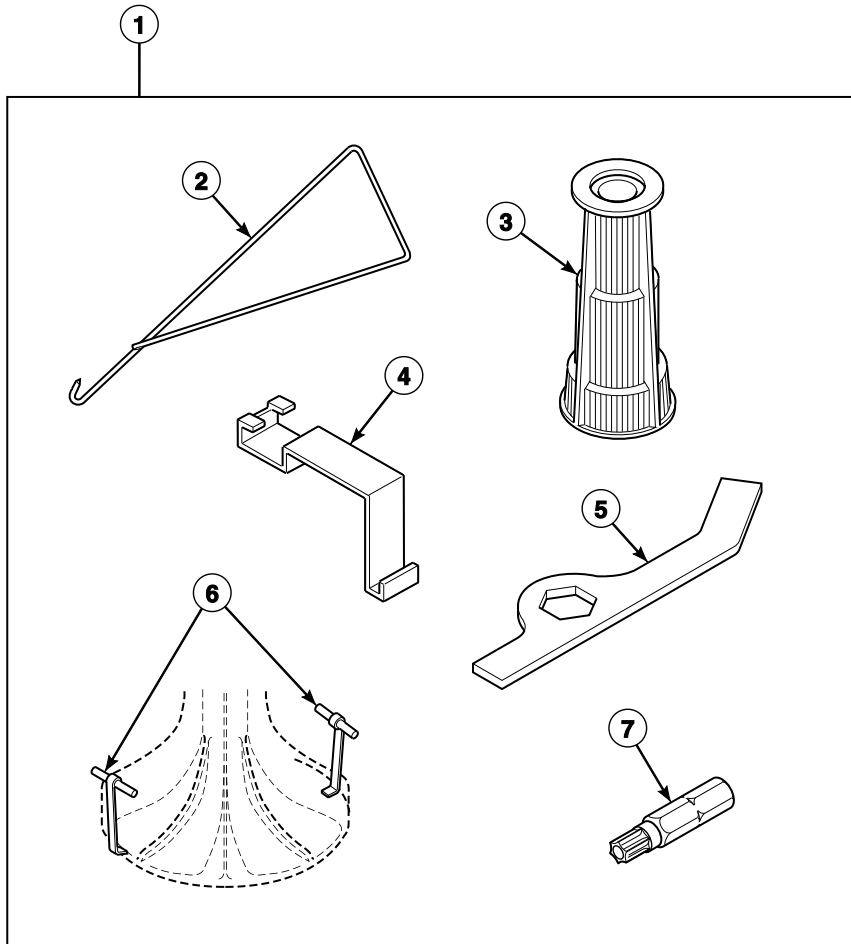


TLW1834P_204554

Ref	Part	Description	Comments
1	203517	Shipping Brace	Install whenever moving washer; Remove before use
2	38149	Shipping Plug	Install whenever moving washer; Remove before use
3	294P4	Agitator Drive Bell Puller	For removal and installation of drive bell to transmission shaft
4	CK096	Mounting Tool Kit	Use to install and remove electronic coin drops
5	310P4	Ratchet Extension Tool	1/4 inch; Use to install and remove non-electronic coin drops

Ref	Part	Description	Comments
6	305P4	Transmission Pin Tool	Use pin tools in place of dowel pins when reassembling transmission cover and case; 2 required

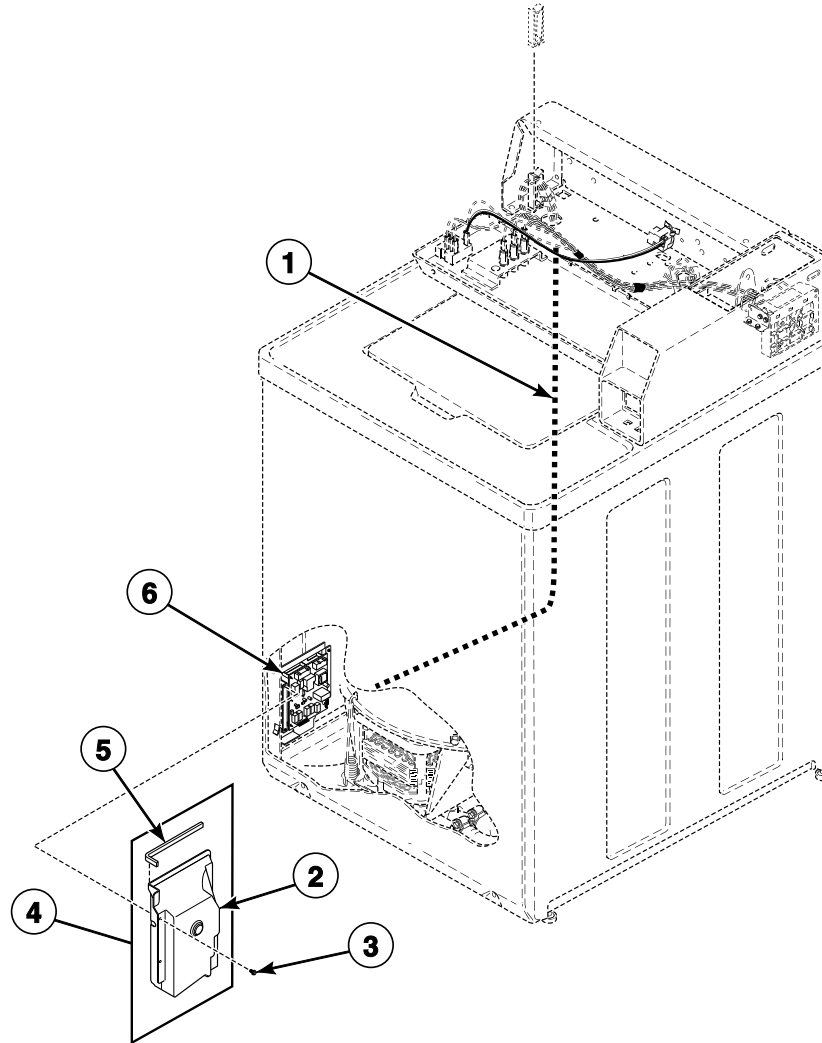
Special Tools



TLW1845P_204554

Ref	Part	Description	Comments
	392P4	Wrench	
1	725P3	Tool Kit	Includes items 2-7 and wrench
2	321P4	Spring Hook Tool	For removal of centering springs from outer tub
3	293P4	Drive Bell Seal Tool	For installation of 36426 Bell and Transmission Tube Seal
4	273P4	Tub Cover Removal Tool	Use to install 38359 Tub Cover Gasket in outer tub cover
5	306P4	Hex Wrench Tool	For removal of locknut from washtub hub
6	254P4P	Agitator Hook	Use to remove agitator from drive bell; Set of 2
7	281P4	Torx Bit	T15; For removal and installation of control hood security screws
	282P4	Torx Bit	T25; For removal and installation of front panel security screws

Output Board, Wire Harnesses and Wires (Drawing 1 of 3)



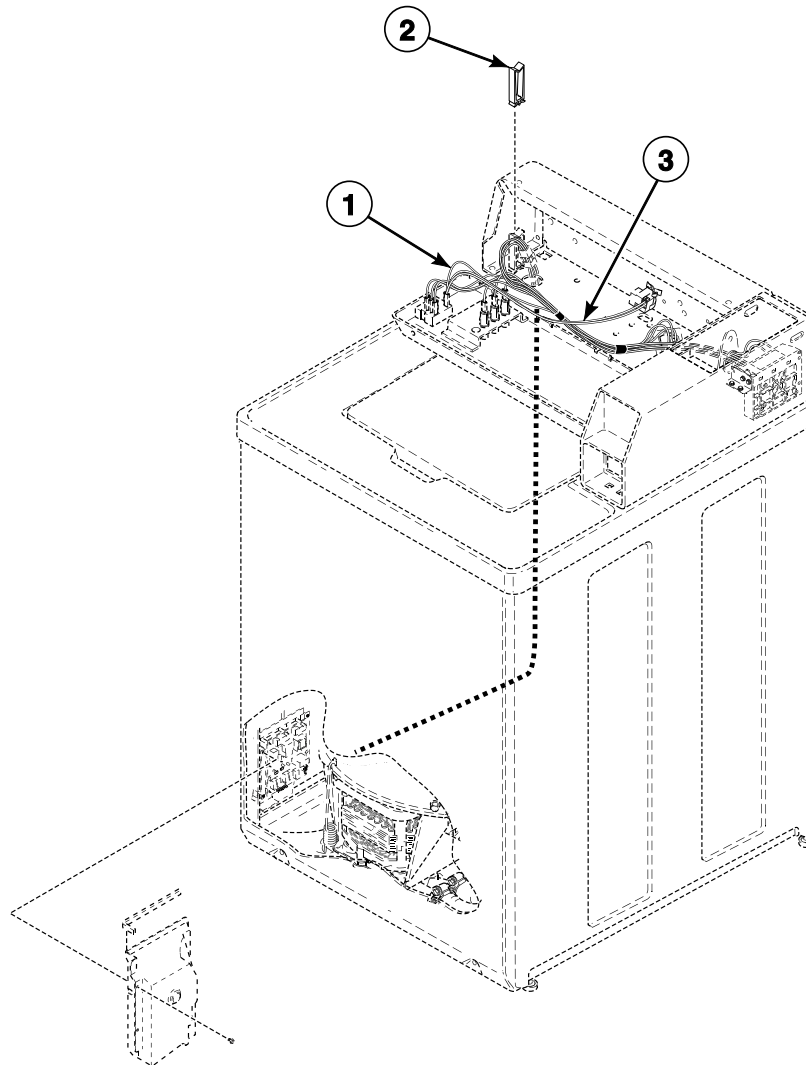
TLW1835P_204554

Ref	Part	Description	Comments
	45001	18 Gauge Wire	Black; Order wire by foot and terminals as required
	45380	12 Gauge Wire	Orange; Order wire by foot and terminals as required
1	203472	NOT ON YOUR MODEL	
	204795	NOT ON YOUR MODEL	
	203079	NOT ON YOUR MODEL	

Ref	Part	Description	Comments
	204713	NOT ON YOUR MODEL	
	204711	NOT ON YOUR MODEL	
	204710	Control Harness	
	204714	Control Harness	starting Serial No. 2001000001
	205291	NOT ON YOUR MODEL	
2	202939	Output Control Shield	
3	804667	Screw	
4	202965	Shield Assembly	Includes items 2 and 5
5	202964	Output Board Cover Gasket	
6	202508P	Output Board Control Assembly	Through Serial No. 1912999999
	204782	NOT ON YOUR MODEL	
	204783	Output Board Control Assembly	starting Serial No. 2001000001

NOTE: Individual wires are not available separately. Order complete harness, or order wire by the foot. When applying terminals to wires, it is recommended that the terminals be soldered to the wires.

Output Board, Wire Harnesses and Wires (Drawing 2 of 3)



TLW1835PA_204554

Ref	Part	Description	Comments
	45001	18 Gauge Wire	Black; Order wire by foot and terminals as required
	45380	12 Gauge Wire	Orange; Order wire by foot and terminals as required
1	203507	NOT ON YOUR MODEL	
	203319	NOT ON YOUR MODEL	
	203013	Hood Harness	

Ref	Part	Description	Comments
2	70366201	Wire Clip	
3	804432	NOT ON YOUR MODEL	
	203645	Pressure Sensor Harness	
	204572	Pressure Sensor Harness	Pressure sensor mounted to mixing valve bracket

NOTE: Individual wires are not available separately. Order complete harness, or order wire by the foot. When applying terminals to wires, it is recommended that the terminals be soldered to the wires.