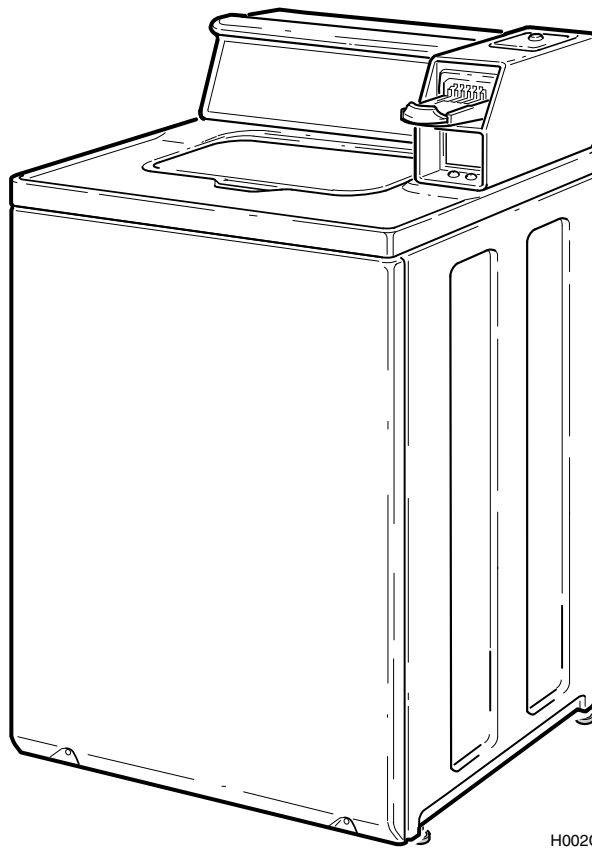


# Commercial Automatic Washers

Metered and Nonmetered Models  
Refer to Page 5 for Model Numbers



H002C\_\_39202



# Table of Contents

Title	Page
Parts Ordering Information.....	3
Nameplate Location .....	3
Model Identification .....	5
Timer, Case and Plate .....	6
Timer and Bracket.....	8
Coin Slide Meter Case and Service Door .....	10
Coin Slide Start Security Kit.....	12
Meter Case and Service Door.....	14
Coin Slide Extension Through Serial No. 1211.....	16
Coin Slide Extension Starting Serial No. 1211.....	18
Electronic Coin Drop .....	20
Coin Drop, Meter Case and Service Door (Drawing 1 of 2).....	22
Coin Drop, Meter Case and Service Door (Drawing 2 of 2).....	24
Timer Case .....	26
Security Case and Card Reader .....	28
Control Panel, Control Hood and Controls (Drawing 1 of 18) .....	30
Control Panel, Control Hood and Controls (Drawing 2 of 18) .....	32
Control Panel, Control Hood and Controls (Drawing 3 of 18) .....	34
Control Panel, Control Hood and Controls (Drawing 4 of 18) .....	36
Control Panel, Control Hood and Controls (Drawing 5 of 18) .....	38
Control Panel, Control Hood and Controls (Drawing 6 of 18) .....	40
Control Panel, Control Hood and Controls (Drawing 7 of 18) .....	42
Control Panel, Control Hood and Controls (Drawing 8 of 18) .....	44
Control Panel, Control Hood and Controls (Drawing 9 of 18) .....	46
Control Panel, Control Hood and Controls (Drawing 10 of 18) .....	48
Control Hood.....	50
Control Panel and Controls.....	52
Control Panel, Control Hood and Controls (Drawing 11 of 18) .....	54
Control Panel, Control Hood and Controls (Drawing 12 of 18) .....	56
Control Panel, Control Hood and Controls (Drawing 13 of 18) .....	58
Control Panel, Control Hood and Controls (Drawing 14 of 18) .....	60
Control Panel, Control Hood and Controls (Drawing 15 of 18) .....	62
Control Panel, Control Hood and Controls (Drawing 16 of 18) .....	64
Control Panel, Control Hood and Controls (Drawing 17 of 18) .....	66
Control Panel, Control Hood and Controls (Drawing 18 of 18) .....	68
Control Hood Security Kit.....	70
Lid and Lid Lock.....	72
Top Assembly and Shield .....	74
Lid .....	76
Top Assembly .....	78
Lid Switch.....	80

© Copyright 2013, Alliance Laundry Systems LLC

All rights reserved. No part of the contents of this book may be reproduced or transmitted in any form or by any means without the expressed written consent of the publisher.

Fill Hose, Mixing Valve-to-Tub Cover Hose, Mixing Valve and Mounting Bracket.....	82
Mixing Valve.....	84
Fill Hose, Mixing Valve-to-Tub Cover Hose and Mounting Bracket .....	86
Motor and Mounting Bracket Assembly (Drawing 1 of 3).....	88
Belt, Pump and Idler Assembly (Drawing 1 of 4) .....	90
Motor, Mounting Bracket, Belt and Idler Assembly .....	92
Motor and Mounting Bracket Assembly (Drawing 2 of 3).....	94
Belt, Pump and Idler Assembly (Drawing 2 of 4) .....	96
Motor and Mounting Bracket Assembly (Drawing 3 of 3).....	98
Belt, Pump and Idler Assembly (Drawing 3 of 4) .....	100
Belt, Pump and Idler Assembly (Drawing 4 of 4) .....	102
Belt, Pump and Idler Kits (Drawing 1 of 2).....	104
Belt, Pump and Idler Kits (Drawing 2 of 2).....	106
Agitator, Drive Bell, Hub and Lip Seal Kit and Washtub .....	108
Agitator, Drive Bell, Hub and Seal Kit and Washtub .....	110
Outer Tub, Cover, Bearing and Seal Housing, Pressure Hose and Counterweight.....	112
Outer Tub, Cover, Bearing Housing, Pressure Hose and Counterweight.....	114
Transmission Assembly .....	116
Hoses and Siphon Break Kit .....	118
Weldment and Bearing Assembly, Brake and Pulley.....	120
Front Panel, Base and Cabinet.....	122
Mixing Valve and Motor Disconnect Blocks, Terminals and Terminal Extractor Tool.....	124
Power Cord .....	126
Terminals .....	128
Shipping Materials and Special Tools.....	130
Special Tools .....	132
Wire Harnesses and Wires (Drawing 1 of 2).....	134
Wire Harnesses and Wires (Drawing 2 of 2).....	136
Parts Index.....	139

## Parts Ordering Information

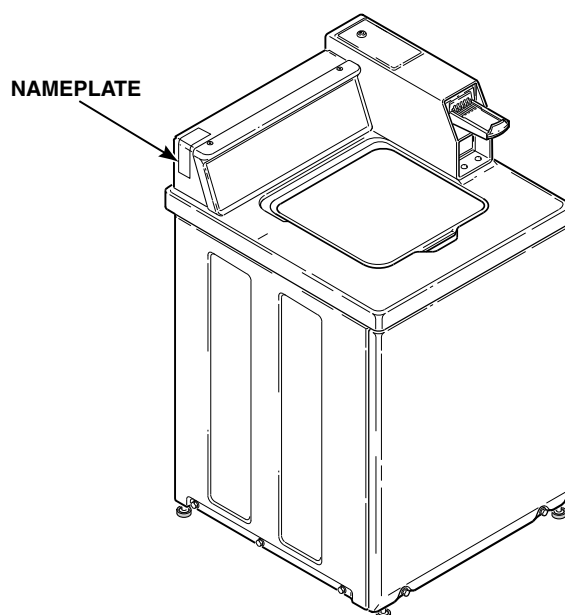
If literature or replacement parts are required, contact the source from whom the machine was purchased or contact Alliance Laundry Systems at (920) 748-3950 for the name and address of the nearest authorized parts distributor.

For technical assistance, call either of the numbers listed below:

(920) 748-3121 Ripon, Wisconsin  
+32 56 41 20 54 Wevelgem, Belgium

## Nameplate Location

When calling or writing about your product, be sure to mention model and serial numbers. Model and serial numbers are located on nameplate(s) as shown.



W363PE3A\_39202



## Model Identification

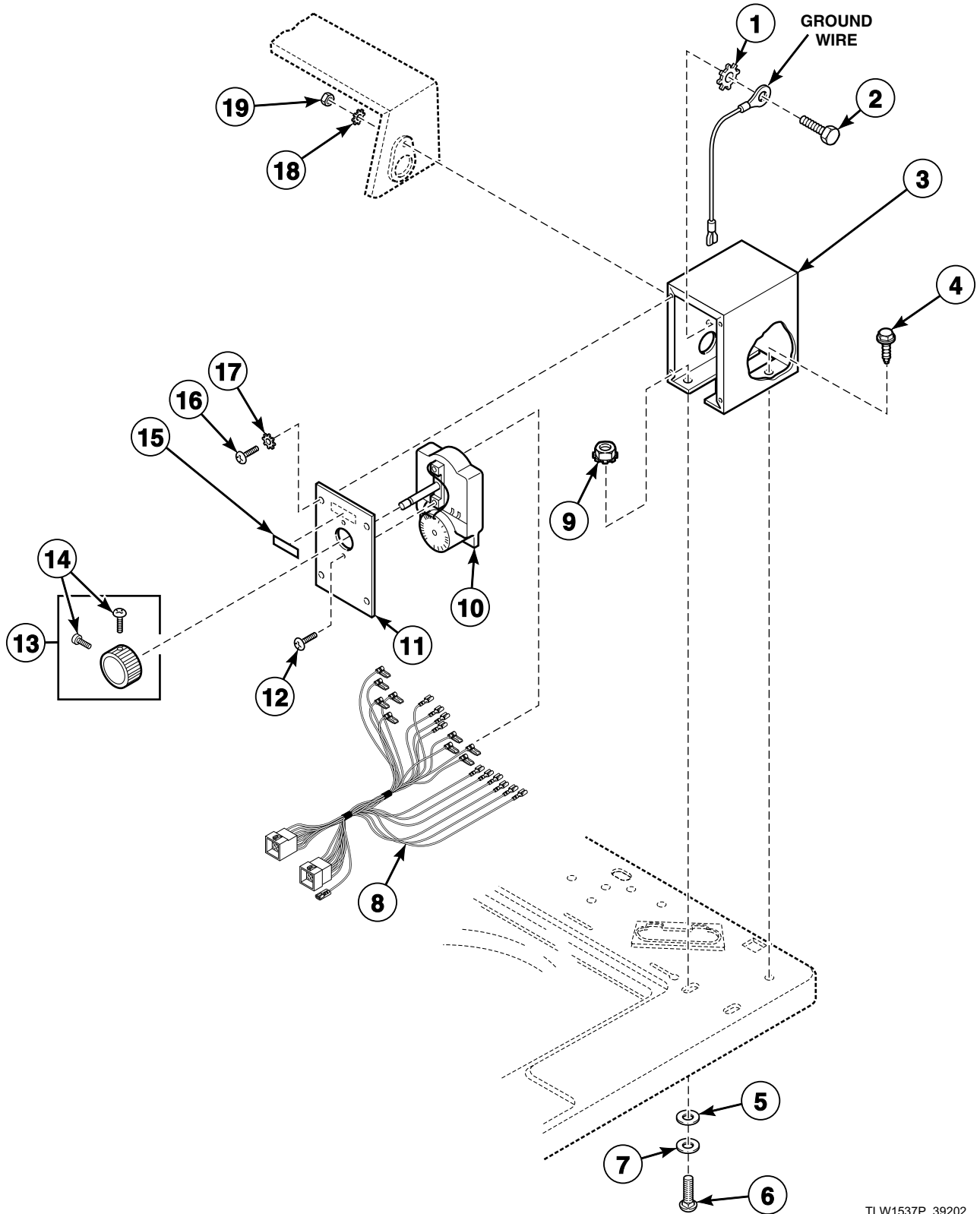
Information in this manual is applicable to these washer models:

BWT820*N1102	HWT721*A1102	SWT011*M3000	SWT211*N3000
BWT920*N1102	HWT721*C1102	SWT011*M3022	SWT211*N3020
HWLX21*N1102	HWT821*N1102	SWT011*M3050	SWT211*N3022
HWNSX1SP301UW09	HWT911*N1102	SWT011*N3000	SWT211*N3050
HWT011*B3073	HWT911*N3020	SWT011*N3022	SWT211*N3062
HWT021*A1102	HWT921*N1102	SWT011*N3028	SWT421*A3000
HWT021*C1102	HWT921*N1127	SWT011*N3050	SWT421*A3022
HWT021*M1102	HWTB21*M1102	SWT011*N3062	SWT421*A3028
HWT021*N1102	HWTB21*N1102	SWT111*A1200	SWT421*A3050
HWT111*A1102	HWTF21*M1102	SWT111*A1300	SWT421*M3000
HWT111*A3000	HWTF21*N1102	SWT111*A3000	SWT421*M3022
HWT111*B3069	HWTR21*N1102	SWT111*A3022	SWT421*M3050
HWT111*C1102	HWTT21*N1102	SWT111*A3028	SWT811*N3000
HWT111*C3000	HWTX21*M3020	SWT111*A3050	SWT811*N3022
HWT111*M1102	HWTX21*M3022	SWT111*A5412	SWT811*N3050
HWT111*M3000	HWTX21*N1102	SWT111*B3069	SWT811*N3062
HWT111*N1102	HWTX21*N3020	SWT111*M1200	SWT910*N3050
HWT121*A1102	HWTX21*N3022	SWT111*M1300	SWT911*N3000
HWT121*C1102	HWTY21*M1102	SWT111*M3000	SWT911*N3020
HWT121*M1102	HWTY21*N1102	SWT111*M3022	SWT911*N3022
HWT121*N1102	HWTZ21*M1102	SWT111*M3050	SWT911*N3028
HWT210*A1102	HWTZ21*N1102	SWT111*M3069	SWT911*N3050
HWT210*C1102	JWT810*N3020	SWT111*M5412	SWT911*N3062
HWT210*M1102	JWT810*N3050	SWT111*M99K5	SWT911*N3069
HWT210*N1102	JWT810*N5400	SWT111*N3000	SWT911*N5412
HWT211*A3000	JWT820*N3050	SWT111*N3022	SWTA21*M3022
HWT211*B3020	JWT910*N3020	SWT111*N3028	SWTA21*M3050
HWT211*C1102	JWT910*N3050	SWT111*N3050	SWTA21*N3050
HWT211*C3000	JWT910*N3069	SWT111*N3069	SWTF21*M3050
HWT211*M3000	JWT920*N3050	SWT111*N5412	SWTF21*N3050
HWT211*M3020	NWNBX2SP301NW22	SWT111*N5417	SWTX21*M3000
HWT211*N3020	NWT811*N5422	SWT121*A3000	SWTX21*M3020
HWT220*A1102	NWT821*N3022	SWT121*M3000	SWTX21*M3022
HWT220*C1102	NWT911*N5422	SWT211*A1200	SWTX21*M3050
HWT220*M1102	NWT921*N3022	SWT211*A1300	SWTX21*M3069
HWT220*M3000	SWNSX1SP541NQ23	SWT211*A3000	SWTX21*N1127
HWT220*M3020	SWNSX1SP541NW23	SWT211*A3020	SWTX21*N3000
HWT221*A1102	SWT011*A3000	SWT211*A3022	SWTX21*N3020
HWT221*C1102	SWT011*A3022	SWT211*A3062	SWTX21*N3022
HWT221*M1102	SWT011*A3028	SWT211*B3020	SWTX21*N3050
HWT221*N1102	SWT011*A3050	SWT211*M3000	SWTX21*N3069
HWT221*N1127	SWT011*A3062	SWT211*M3020	UWT011*A3022
HWT521*A1102		SWT211*M3022	UWT011*A3025
HWT521*C1102			UWT011*M3022
HWT621*A1102			UWT821*N1102
HWT621*C1102			

\* Add Letter To Designate Color. L - Almond Q - Bisque W - White

# Timer, Case and Plate

Models HWT011\*B3073, HWT021\*A1102, HWT021\*C1102, HWT021\*M1102, HWT021\*N1102, SWT011\*A3000, SWT011\*A3022, SWT011\*A3028, SWT011\*A3050, SWT011\*A3062, SWT011\*M3000, SWT011\*M3022, SWT011\*M3050, SWT011\*N3000, SWT011\*N3022, SWT011\*N3028, SWT011\*N3050, SWT011\*N3062, UWT011\*A3022, UWT011\*A3025 and UWT011\*M3022



TLW1537P\_39202



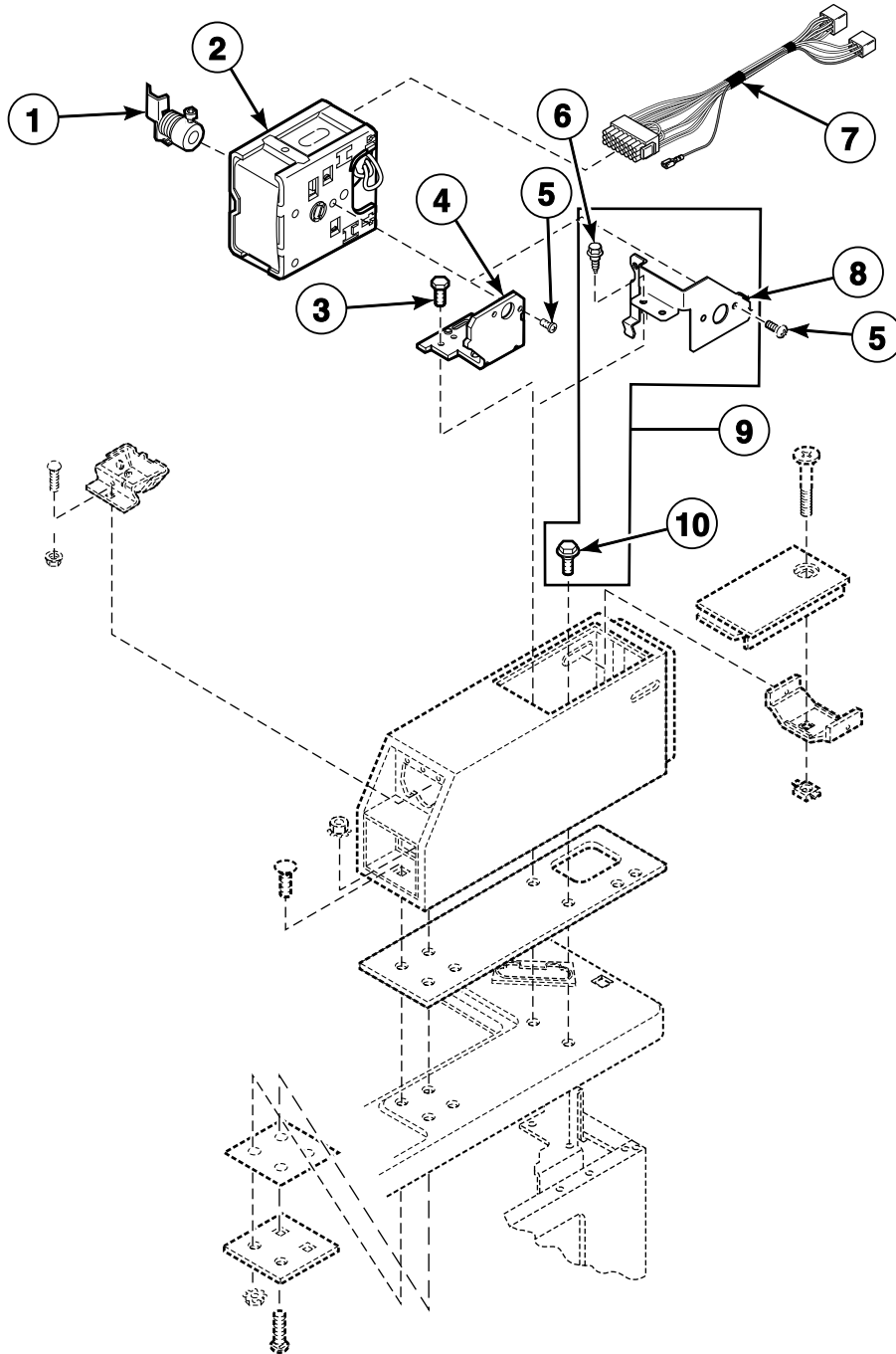
## Timer, Case and Plate

REF	PART NO.	DESCRIPTION	COMMENTS
1	M400017	Washer	
2	02916	Screw	
3	37733W	Timer Case Assembly	
4	23962	Screw	
5	23225	Washer	Vinyl
6	02505	Bolt	
7	30627	Washer	
8	34092P	Wire Harness Assembly	Models HWT021*A1102, HWT021*C1102, HWT021*M1102 and HWT021*N1102
	39811	Timer Wire Harness Assembly	All other models
9	29786	Nut	
10	28716P	Timer	Models HWT021*A1102, HWT021*C1102, HWT021*M1102 and HWT021*N1102
	28719P	Timer	All other models
11	31864W	Timer Plate	
12	27328	Screw	
13	26256	Timer Knob Assembly	
14	80399	Screw	
15	53738	Push-to-Start Sticker	
16	51778	Screw	
17	21734	Washer	
18	02431	Washer	
19	52566	Nut	

\* Add Letter To Designate Color. L - Almond Q - Bisque W - White

# Timer and Bracket

Models HWT111\*A1102, HWT111\*A3000, HWT111\*B3069, HWT111\*C1102, HWT111\*C3000, HWT111\*M1102, HWT111\*M3000, HWT111\*N1102, HWT121\*A1102, HWT121\*C1102, HWT121\*M1102, HWT121\*N1102, HWT210\*A1102, HWT210\*C1102, HWT210\*M1102, HWT210\*N1102, HWT211\*A3000, HWT211\*B3020, HWT211\*C1102, HWT211\*C3000, HWT211\*M3000, HWT211\*M3020, HWT211\*N3020, HWT220\*A1102, HWT220\*C1102, HWT220\*M1102, HWT220\*M3000, HWT220\*M3020, HWT221\*A1102, HWT221\*C1102, HWT221\*M1102, HWT221\*N1102, HWT221\*N1127, SWT111\*A1200, SWT111\*A1300, SWT111\*A3000, SWT111\*A3022, SWT111\*A3028, SWT111\*A3050, SWT111\*A5412, SWT111\*B3069, SWT111\*M1200, SWT111\*M1300, SWT111\*M3000, SWT111\*M3022, SWT111\*M3050, SWT111\*M3069, SWT111\*M5412, SWT111\*M99K5, SWT111\*N3000, SWT111\*N3022, SWT111\*N3028, SWT111\*N3050, SWT111\*N3069, SWT111\*N5412, SWT111\*N5417, SWT121\*A3000, SWT121\*M3000, SWT211\*A1200, SWT211\*A1300, SWT211\*A3000, SWT211\*A3020, SWT211\*A3022, SWT211\*A3062, SWT211\*B3020, SWT211\*M3000, SWT211\*M3020, SWT211\*M3022, SWT211\*N3000, SWT211\*N3020, SWT211\*N3022, SWT211\*N3050 and SWT211\*N3062



TLW1546P\_39202

# Timer and Bracket

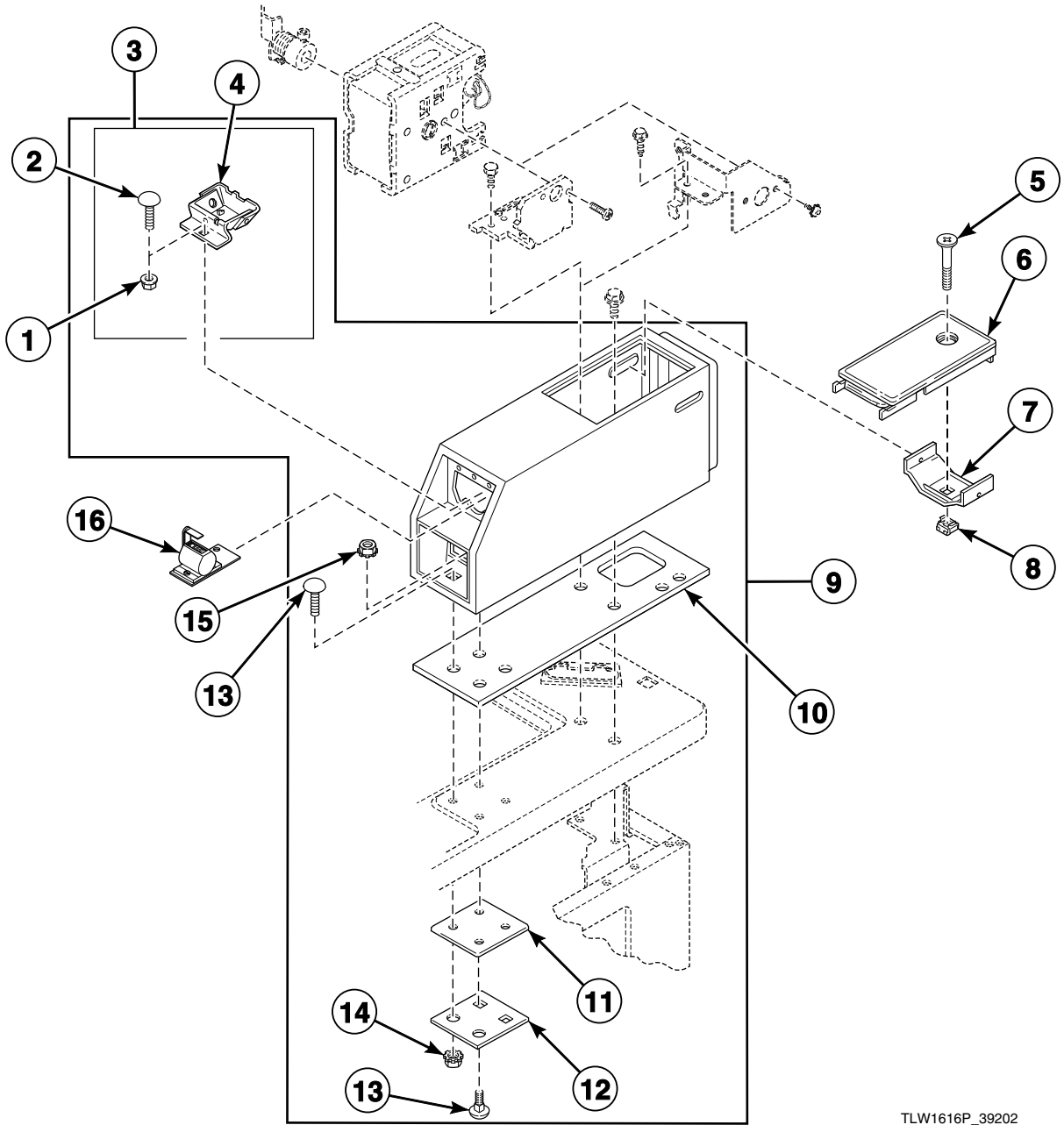
REF	PART NO.	DESCRIPTION	COMMENTS
1	29503	Clutch Assembly	
2	31111P	Timer	Models HWT111*A1102, HWT111*C1102, HWT111*M1102, HWT111*N1102, HWT121*A1102, HWT121*C1102, HWT121*M1102, HWT121*N1102, SWT111*A1200 and SWT111*M1200
	31504P	Timer	Models HWT111*B3069 and SWT111*B3069 starting Serial Nos. beginning 0002; Models HWT111*A3000, HWT111*C3000, HWT111*M3000, SWT111*A3000, SWT111*A3022, SWT111*A3028, SWT111*A3050, SWT111*M3000, SWT111*M3022, SWT111*M3050, SWT111*M3069, SWT111*M99K5, SWT111*N3000, SWT111*N3022, SWT111*N3028, SWT111*N3050, SWT111*N3069, SWT121*A3000 and SWT121*M3000
	34601P	Timer	Models HWT210*A1102, HWT210*C1102, HWT210*M1102, HWT210*N1102, HWT211*C1102, HWT220*A1102, HWT220*C1102, HWT220*M1102, HWT221*A1102, HWT221*C1102, HWT221*M1102, HWT221*N1102, HWT221*N1127 and SWT211*A1200
	34603P	Timer	Models HWT211*B3020 and SWT211*B3020 starting Serial Nos. beginning 9908; Models HWT211*A3000, HWT211*C3000, HWT211*M3000, HWT211*M3020, HWT211*N3020, HWT220*M3000, HWT220*M3020, SWT211*A3000, SWT211*A3022, SWT211*A3062, SWT211*M3000, SWT211*M3020, SWT211*M3022, SWT211*N3000, SWT211*N3020, SWT211*N3022, SWT211*N3050 and SWT211*N3062
	34604	Timer	Models SWT111*A1300, SWT111*M1300 and SWT211*A1300
	35368P	Timer	Models SWT111*A5412, SWT111*M5412, SWT111*N5412 and SWT111*N5417
	N/A	Timer	Models HWT111*B3069 and SWT111*B3069 through Serial Nos. beginning 0002
	N/A	Timer	Models HWT211*B3020 and SWT211*B3020 through Serial Nos. beginning 9908
3	36048	Screw	
4	35249	Timer Bracket	Use with 524P3* Meter Case and Funnel Kit
5	21720	Screw	
6	503688	Screw	2 required; Use with item 5
7	29281P	Timer Harness Assembly	Models HWT121*A1102, HWT121*C1102, HWT121*M1102, HWT121*N1102, HWT220*A1102, HWT220*C1102, HWT220*M1102, HWT220*M3000, HWT220*M3020, HWT221*A1102, HWT221*C1102, HWT221*M1102, HWT221*N1102, HWT221*N1127, SWT121*A3000 and SWT121*M3000
	39806P	Timer Harness Assembly	All other models
8	200832	Long Vault Timer Bracket	Use with 201010*P Meter Case Kit
9	789P3	Long Vault Timer Bracket Kit	Use with 201010*P Meter Case Kit; Includes items 4, 5 and 8
10	502431	Screw	Use with 524P3* Meter Case and Funnel Kit
	36048	Screw	Use with 201010*P Meter Case Kit

\* Add Letter To Designate Color. L - Almond Q - Bisque W - White

N/A = Part no longer available

# Coin Slide Meter Case and Service Door

Models HWT111\*A1102, HWT111\*A3000, HWT111\*B3069, HWT111\*C1102, HWT111\*C3000, HWT111\*M1102, HWT111\*M3000, HWT111\*N1102, HWT121\*A1102, HWT121\*C1102, HWT121\*M1102, HWT121\*N1102, HWT210\*A1102, HWT210\*C1102, HWT210\*M1102, HWT210\*N1102, HWT211\*A3000, HWT211\*B3020, HWT211\*C1102, HWT211\*C3000, HWT211\*M3000, HWT211\*M3020, HWT211\*N3020, HWT220\*A1102, HWT220\*C1102, HWT220\*M1102, HWT220\*M3000, HWT220\*M3020, HWT221\*A1102, HWT221\*C1102, HWT221\*M1102, HWT221\*N1102, HWT221\*N1127, SWT111\*A1200, SWT111\*A1300, SWT111\*A3000, SWT111\*A3022, SWT111\*A3028, SWT111\*A3050, SWT111\*A5412, SWT111\*B3069, SWT111\*M1200, SWT111\*M1300, SWT111\*M3000, SWT111\*M3022, SWT111\*M3050, SWT111\*M3069, SWT111\*M5412, SWT111\*M99K5, SWT111\*N3000, SWT111\*N3022, SWT111\*N3028, SWT111\*N3050, SWT111\*N3069, SWT111\*N5412, SWT111\*N5417, SWT121\*A3000, SWT121\*M3000, SWT211\*A1200, SWT211\*A1300, SWT211\*A3000, SWT211\*A3020, SWT211\*A3022, SWT211\*A3062, SWT211\*B3020, SWT211\*M3000, SWT211\*M3020, SWT211\*M3022, SWT211\*N3000, SWT211\*N3020, SWT211\*N3022, SWT211\*N3050 and SWT211\*N3062



TLW1616P\_39202

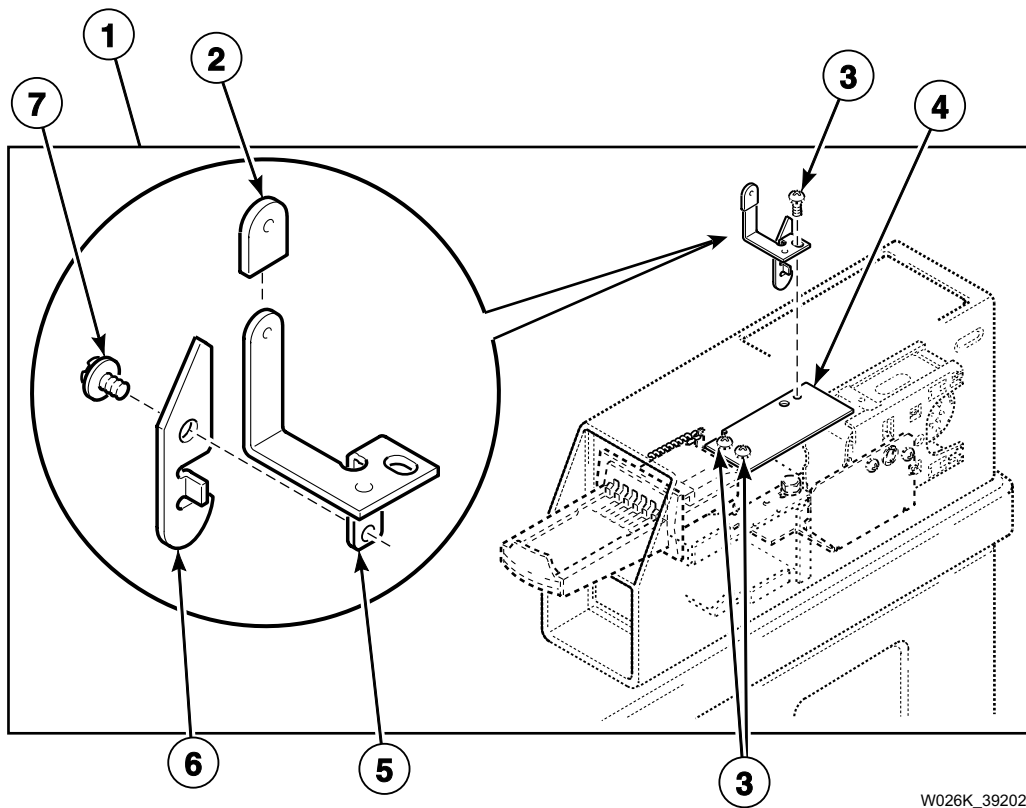
## Coin Slide Meter Case and Service Door

REF	PART NO.	DESCRIPTION	COMMENTS
1	29796	Nut	
2	29651	Bolt	
3	523P3	Coin Funnel Kit	Includes items 1, 2 and 4; All models except SWT111*N3050 and SWT211*N3050
4	201565	Coin Chute	Models SWT111*N3050 and SWT211*N3050
5	503673	Screw	
6	39874WP	Service Door Assembly	White
	39874LP	Service Door Assembly	Almond
	39874QP	Service Door Assembly	Bisque
7	30642	Meter Case Locking Bracket	
8	30647	Nut	
9	524P3W	Meter Case and Funnel Kit	Models through Serial No. 0210004769; White; Includes items 3 and 10-14
	524P3L	Meter Case and Funnel Kit	Models through Serial No. 0210004769; Almond; Includes items 3 and 10-14
	524P3Q	Meter Case and Funnel Kit	Models through Serial No. 0210004769; Bisque; Includes items 3 and 10-14
	201010WP	Meter Case Kit	Models starting Serial No. 0210004770; White; Use with larger coin drawer
	201010LP	Meter Case Kit	Models starting Serial No. 0210004770; Almond; Use with larger coin drawer
	201010QP	Meter Case Kit	Models starting Serial No. 0210004770; Bisque; Use with larger coin drawer
10	26354	Meter Case Gasket	
11	35526	Meter Case Bracket Gasket	
12	35525	Meter Case Lockdown Bracket	
13	02505	Bolt	
14	29786	Nut	
15	802337	Nut	
16	201280P	Mechanical Counter Kit Assembly	Use with 201010*P Meter Case Kit

\* Add Letter To Designate Color. L - Almond Q - Bisque W - White

# Coin Slide Start Security Kit

Models HWT111\*A1102, HWT111\*A3000, HWT111\*B3069, HWT111\*C1102, HWT111\*C3000, HWT111\*M1102, HWT111\*M3000, HWT111\*N1102, HWT121\*A1102, HWT121\*C1102, HWT121\*M1102, HWT121\*N1102, HWT210\*A1102, HWT210\*C1102, HWT210\*M1102, HWT210\*N1102, HWT211\*A3000, HWT211\*B3020, HWT211\*C1102, HWT211\*C3000, HWT211\*M3000, HWT211\*M3020, HWT211\*N3020, HWT220\*A1102, HWT220\*C1102, HWT220\*M1102, HWT220\*M3000, HWT220\*M3020, HWT221\*A1102, HWT221\*C1102, HWT221\*M1102, HWT221\*N1102, HWT221\*N1127, SWT111\*A1200, SWT111\*A1300, SWT111\*A3000, SWT111\*A3022, SWT111\*A3028, SWT111\*A3050, SWT111\*A5412, SWT111\*B3069, SWT111\*M1200, SWT111\*M1300, SWT111\*M3000, SWT111\*M3022, SWT111\*M3050, SWT111\*M3069, SWT111\*M5412, SWT111\*M99K5, SWT111\*N3000, SWT111\*N3022, SWT111\*N3028, SWT111\*N3050, SWT111\*N3069, SWT111\*N5412, SWT111\*N5417, SWT121\*A3000, SWT121\*M3000, SWT211\*A1200, SWT211\*A1300, SWT211\*A3000, SWT211\*A3020, SWT211\*A3022, SWT211\*A3062, SWT211\*B3020, SWT211\*M3000, SWT211\*M3020, SWT211\*M3022, SWT211\*N3000, SWT211\*N3020, SWT211\*N3022, SWT211\*N3050 and SWT211\*N3062  
Models Starting Serial No. 0210004770



W026K\_39202

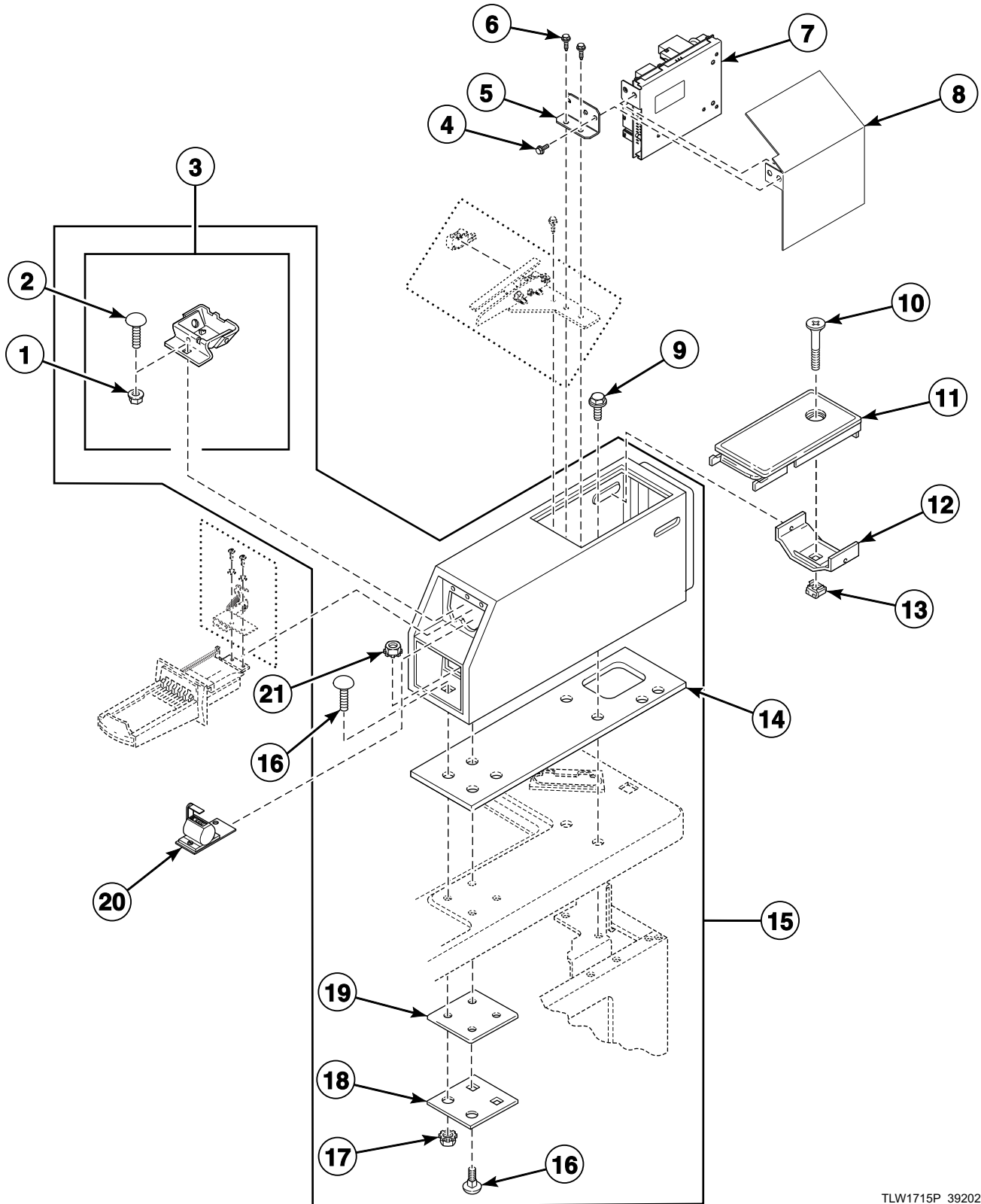
## Coin Slide Start Security Kit

REF	PART NO.	DESCRIPTION	COMMENTS
1	552P3	Coin Slide Kit	Includes items 2-7
2	36165	Plastic Boot	
3	N/A	Screw	
4	501483	Coin Slide Extension	
5	36163	Actuator Support	
6	36164	Actuator	
7	N/A	Screw	

**N/A = Part no longer available**

# Meter Case and Service Door

Models BWT920\*N1102, HWNSX1SP301UW09, HWT911\*N1102, HWT911\*N3020, HWT921\*N1102, HWT921\*N1127, JWT910\*N3020, JWT910\*N3050, JWT910\*N3069, JWT920\*N3050, NWT911\*N5422, NWT921\*N3022, SWNSX1SP541NQ23, SWNSX1SP541NW23, SWT910\*N3050, SWT911\*N3000, SWT911\*N3020, SWT911\*N3022, SWT911\*N3028, SWT911\*N3050, SWT911\*N3062, SWT911\*N3069 and SWT911\*N5412



TLW1715P\_39202



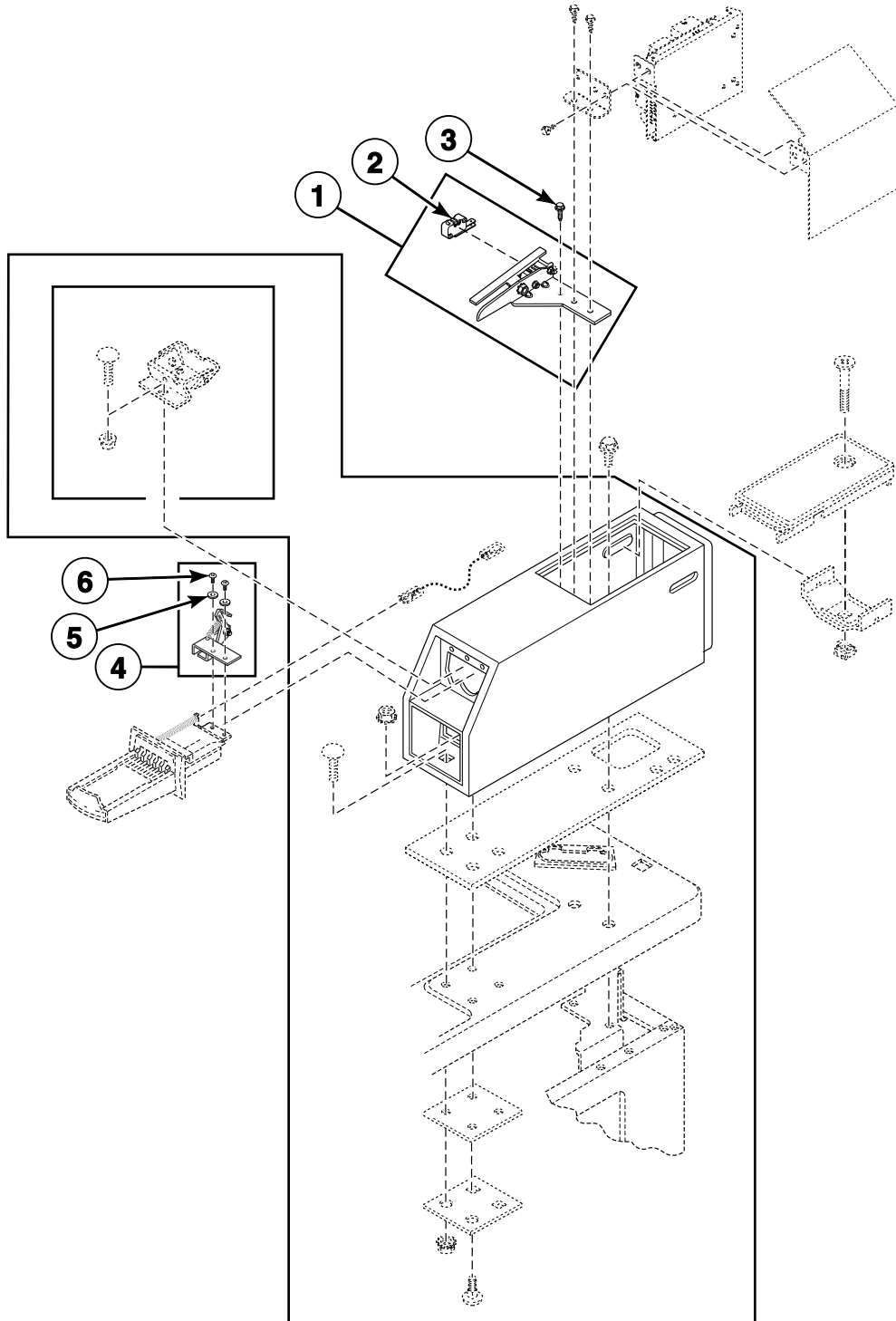
## Meter Case and Service Door

REF	PART NO.	DESCRIPTION	COMMENTS
1	29796	Nut	
2	29651	Bolt	
3	523P3	Coin Funnel Kit	
4	501524	Screw	
5	201581	Chassis Mounting Bracket	
6	503688	Screw	
7	201577P	Control Assembly	
8	512304	Control Shield	
9	36048	Screw	
10	503673	Screw	
11	39874WP	Service Door Assembly	White
	39874QP	Service Door Assembly	Bisque
12	30642	Meter Case Locking Bracket	
13	30647	Nut	
14	26354	Meter Case Gasket	
15	201010WP	Meter Case Kit	White; Includes items 3, 14, 16-19 and 21
	201010QP	Meter Case Kit	Bisque; Includes items 3, 14, 16-19 and 21
15	02505	Bolt	
17	29786	Nut	
18	35525	Meter Case Lockdown Bracket	
19	35526	Meter Case Bracket Gasket	
20	201280P	Mechanical Counter Kit Assembly	
21	802337	Nut	

\* Add Letter To Designate Color. L - Almond Q - Bisque W - White

# Coin Slide Extension Through Serial No. 1211

Models BWT920\*N1102, HWNSX1SP301UW09, HWT911\*N1102, HWT911\*N3020, HWT921\*N1102, HWT921\*N1127, JWT910\*N3020, JWT910\*N3050, JWT910\*N3069, JWT920\*N3050, NWT911\*N5422, NWT921\*N3022, SWNSX1SP541NQ23, SWNSX1SP541NW23, SWT910\*N3050, SWT911\*N3000, SWT911\*N3020, SWT911\*N3022, SWT911\*N3028, SWT911\*N3050, SWT911\*N3062, SWT911\*N3069 and SWT911\*N5412



DRY2274PA\_39202

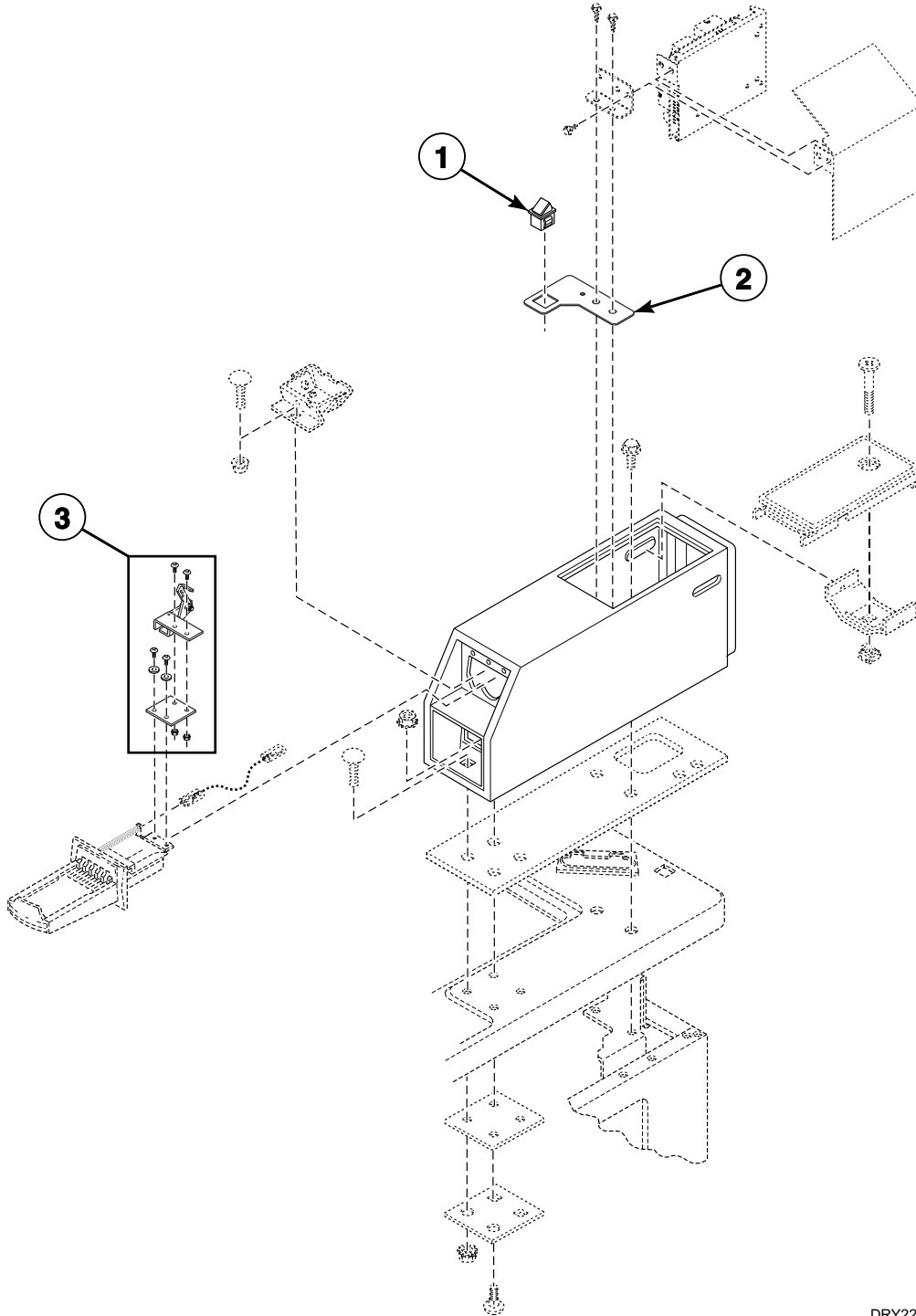
## Coin Slide Extension Through Serial No. 1211

REF	PART NO.	DESCRIPTION	COMMENTS
1	201917P	Switch Mount Assembly	Includes item 2
2	201952	Switch	
3	51782	Screw	
4	201915	Slide Extension Kit	
5	03815	Washer	
6	27328	Screw	

\* Add Letter To Designate Color. L - Almond Q - Bisque W - White

# Coin Slide Extension Starting Serial No. 1211

Models BWT920\*N1102, HWNSX1SP301UW09, HWT911\*N1102, HWT911\*N3020, HWT921\*N1102, HWT921\*N1127, JWT910\*N3020, JWT910\*N3050, JWT910\*N3069, JWT920\*N3050, NWT911\*N5422, NWT921\*N3022, SWNSX1SP541NQ23, SWNSX1SP541NW23, SWT910\*N3050, SWT911\*N3000, SWT911\*N3020, SWT911\*N3022, SWT911\*N3028, SWT911\*N3050, SWT911\*N3062, SWT911\*N3069 and SWT911\*N5412



DRY2275P\_39202

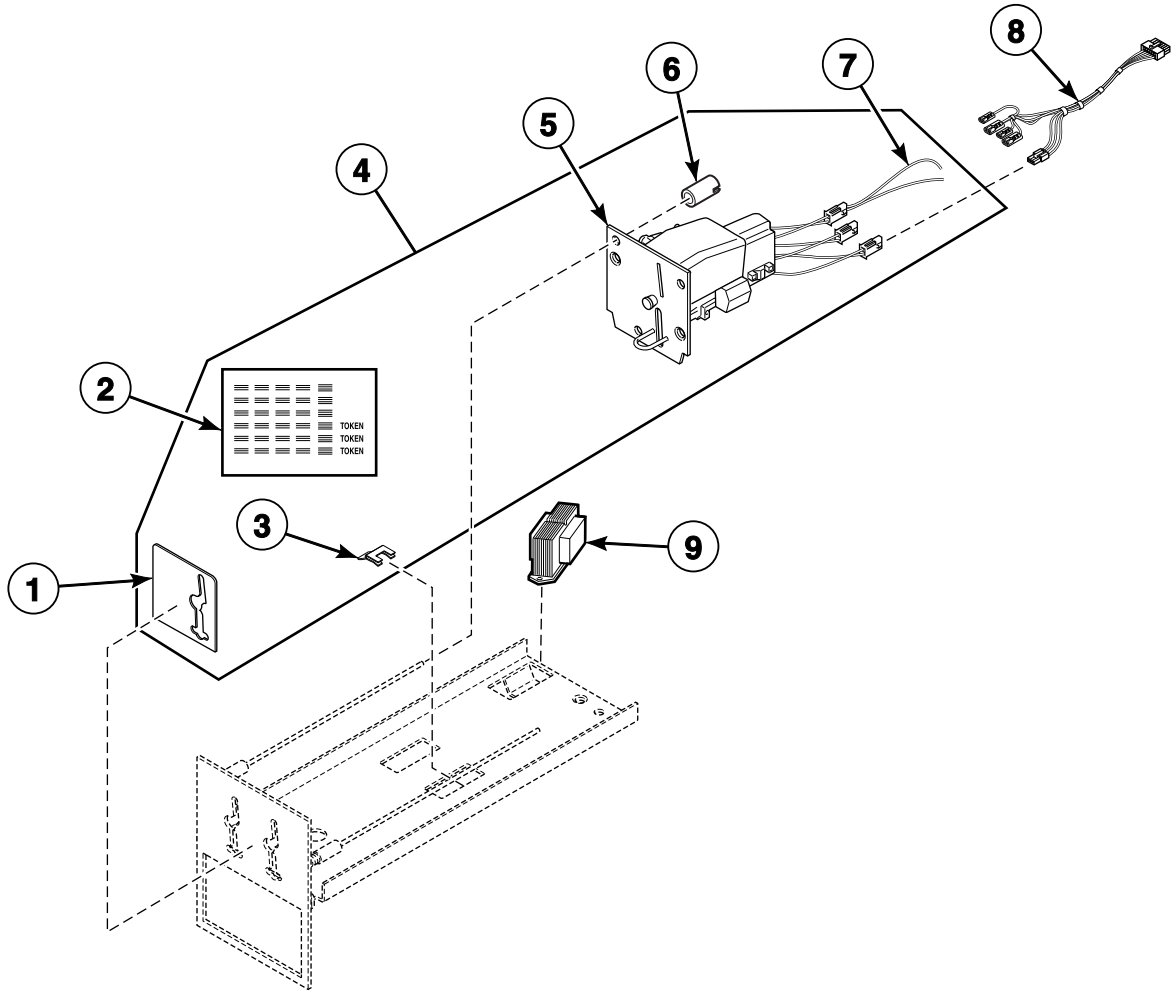
## Coin Slide Extension Starting Serial No. 1211

REF	PART NO.	DESCRIPTION	COMMENTS
1	431159	Switch	
2	803662	Bracket	
3	200913	Coin Slide Extension Kit	Includes items 1 and 2

\* Add Letter To Designate Color. L - Almond Q - Bisque W - White

# Electronic Coin Drop

Models HWLX21\*N1102, HWTB21\*M1102, HWTB21\*N1102, HWTR21\*N1102, HWTT21\*N1102, HWTX21\*M3020, HWTX21\*M3022, HWTX21\*N1102, HWTX21\*N3020, HWTX21\*N3022, HWTZ21\*M1102, HWTZ21\*N1102, NWNBX2SP301NW22, SWTA21\*M3022, SWTA21\*M3050, SWTA21\*N3050, SWTX21\*M3000, SWTX21\*M3020, SWTX21\*M3022, SWTX21\*M3050, SWTX21\*M3069, SWTX21\*N1127, SWTX21\*N3000, SWTX21\*N3020, SWTX21\*N3022, SWTX21\*N3050 and SWTX21\*N3069



TLW1638P\_39202

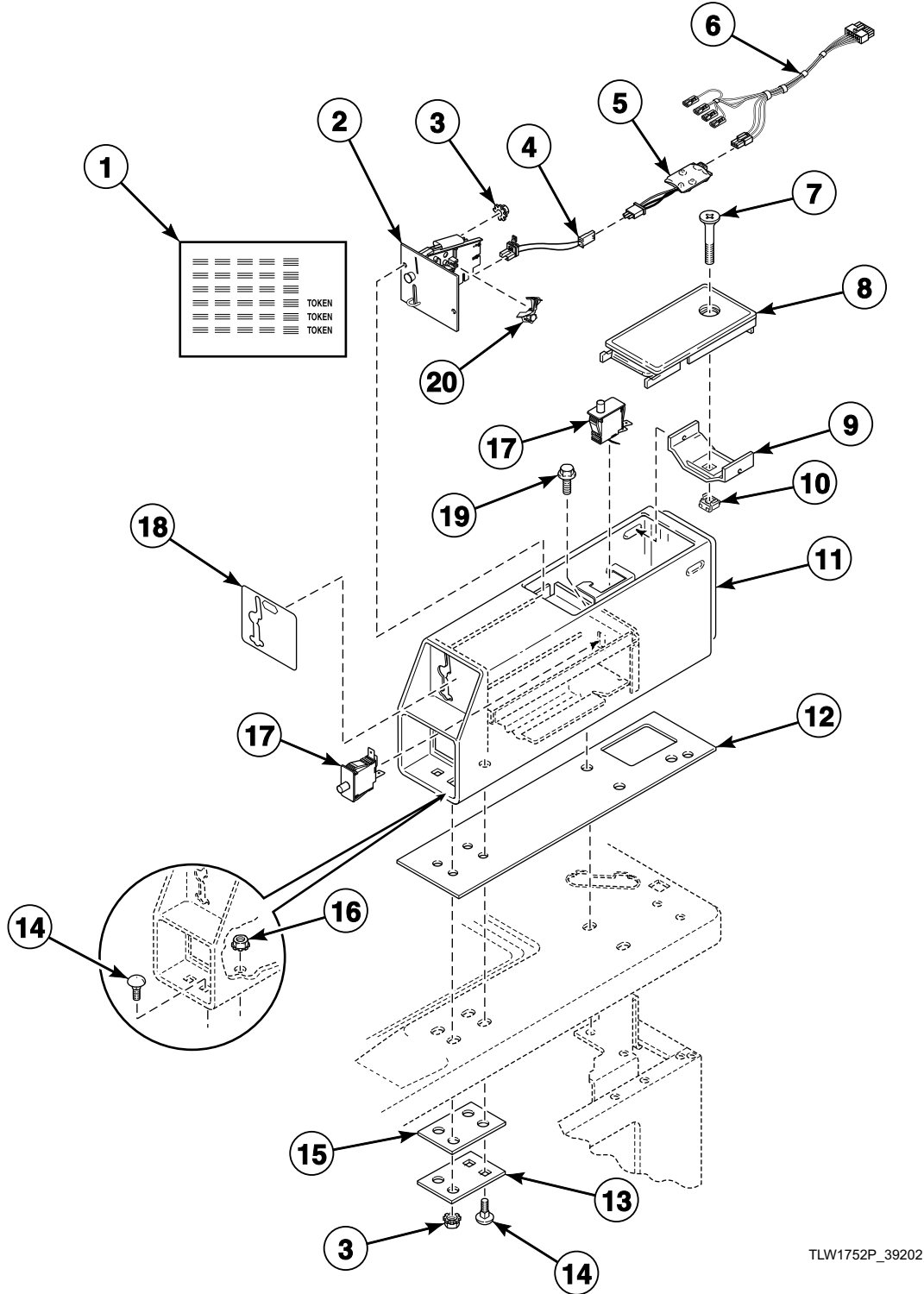
# Electronic Coin Drop

REF	PART NO.	DESCRIPTION	COMMENTS
1	201091	Overlay	
2	38725	Coin Identification Paper	
3	201572	Clip	
4	CK115	Electronic Coin Drop Kit	Includes items 1-3 and 5-7; United States and Canada coins; Models HWTB21*M1102, HWTB21*N1102, HWTT21*N1102, HWTZ21*M1102 and HWTZ21*N1102 must also order items 8 and 9
	CK099	Electronic Coin Drop Kit	Includes items 1-3 and 5-7; Australia, New Zealand, Hong Kong and South Korea coins
	CK100	Electronic Coin Drop Kit	Includes items 1-3 and 5-7; Euro and Great Britain coins
	CK101	Electronic Coin Drop Kit	Includes items 1-3 and 5-7; Euro, Denmark and Norway coins
	CK103	Electronic Coin Drop Kit	Includes items 1-3 and 5-7; Euro, Lithuania and Latvia coins
	CK106	Electronic Coin Drop Kit	Includes items 1-3 and 5-7; Malaysia, China, Russia and Singapore coins
	CK108	Electronic Coin Drop Kit	Includes items 1-3 and 5-7; South African 1, 2, 5 rand coins
	CK109	Electronic Coin Drop Kit	Includes items 1-3 and 5-7; Euro coins
	CK110	Electronic Coin Drop Kit	Includes items 1-3 and 5-7; Mexico, Ecuador and United States coins
	CK113	Electronic Coin Drop Kit	Includes items 1-3 and 5-7; Japan and Taiwan coins
	CK120	Electronic Coin Drop Kit	Includes items 1-3 and 5-7; Chile coins
	CK121	Electronic Coin Drop Kit	Includes items 1-3 and 5-7; Singapore coins
5	70294105P	Electronic Coin Drop Assembly	Australia, New Zealand, Hong Kong and South Korea coins
	70294103P	Electronic Coin Drop Assembly	Euro and Great Britain coins
	70294104	Electronic Coin Drop Assembly	Euro, Denmark and Norway coins
	70294107	Electronic Coin Drop Assembly	Euro, Lithuania and Latvia coins
	70294109	Electronic Coin Drop Assembly	Malaysia, China, Russia and Singapore coins
	70294110	Electronic Coin Drop Assembly	South African 1, 2, 5 rand coins
	70294111	Electronic Coin Drop Assembly	Euro coins
	70294106	Electronic Coin Drop Assembly	Mexico, Ecuador and United States coins
6	201216	Nut	
7	201104	Coin Drop Wire Harness	
8	802905	Harness Assembly	Electronic coin drop requires this harness. If unit is not factory-equipped with this harness, it must be ordered separately.
9	201375P	Transformer	Electronic coin drop requires this transformer. If unit is not factory-equipped with this transformer, it must be ordered separately.

\* Add Letter To Designate Color. L - Almond Q - Bisque W - White

# Coin Drop, Meter Case and Service Door (Drawing 1 of 2)

Models HWLX21\*N1102, HWTR21\*N1102, HWTX21\*M3020, HWTX21\*M3022, HWTX21\*N1102, HWTX21\*N3020, HWTX21\*N3022, NWNBX2SP301NW22, SWT421\*A3000, SWT421\*A3022, SWT421\*A3028, SWT421\*A3050, SWT421\*M3000, SWT421\*M3022, SWT421\*M3050, SWTA21\*M3022, SWTA21\*M3050, SWTA21\*N3050, SWTX21\*M3000, SWTX21\*M3020, SWTX21\*M3022, SWTX21\*M3050, SWTX21\*M3069, SWTX21\*N1127, SWTX21\*N3000, SWTX21\*N3020, SWTX21\*N3022, SWTX21\*N3050 and SWTX21\*N3069



TLW1752P\_39202



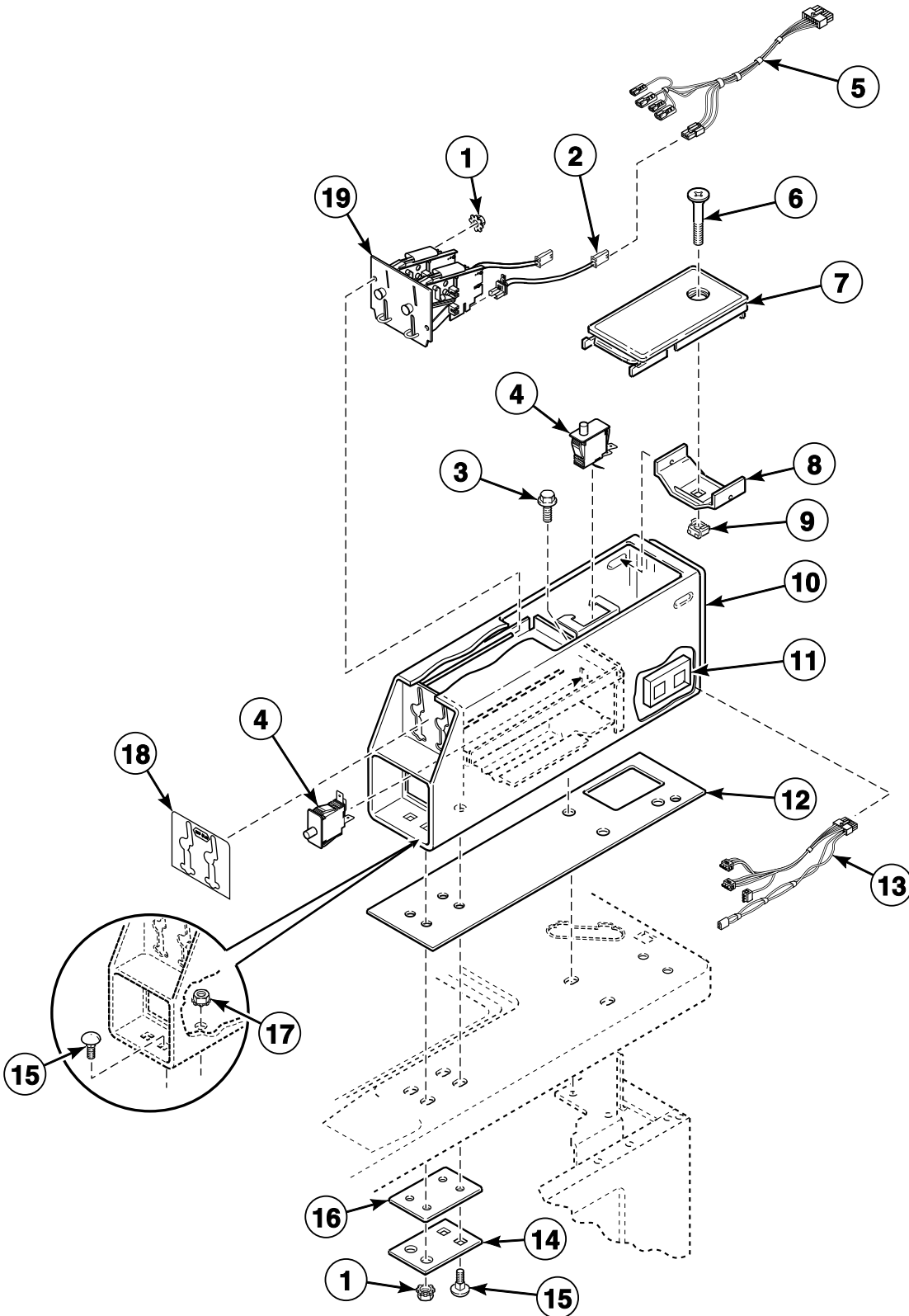
## Coin Drop, Meter Case and Service Door (Drawing 1 of 2)

REF	PART NO.	DESCRIPTION	COMMENTS
1	38725	Coin Identification Paper	
2	70441601P	Coin Drop	Single; U.S.A.; Currency \$.25
	38467	Coin Drop Assembly	Dual; Australia; Currency .20 and 1.00
	70447301	Coin Drop Assembly	Dual; Australia; Currency 1.00 and 2.00
	38464P	Coin Drop Assembly	Single; Canada; Currency .25
	70441602	Coin Drop Assembly	Dual; Canada; Currency .25 and 1.00
	38472	Coin Drop Assembly	Dual; England; Currency 20 pence and 1 pound
	38519	Coin Drop Assembly	Dual; Japan; Currency 100 yen and 500 yen
	38521	Coin Drop Assembly	Dual; Korea; Currency 100 won and 500 won
	CK114	Coin Drop Assembly	Single; Singapore; Currency 1.00
	38462P	Coin Drop Assembly	Single; Token; Currency STD-118-1
	38463	Coin Drop Assembly	Single; Token; Currency STD-118-5
	38963P	Coin Drop	Single; Token; Currency STD-118-16
3	29786	Nut	
4	200674P	Opto Coupler	
5	37244P	Pulse Expander Assembly	Models SWT421*A3000, SWT421*A3022, SWT421*A3028, SWT421*A3050, SWT421*M3000, SWT421*M3022 and SWT421*M3050
6	802905	Harness Assembly	Models HWLX21*N1102, HWTR21*N1102, HWTX21*M3020, HWTX21*M3022, HWTX21*N1102, HWTX21*N3020, HWTX21*N3022, NWNBX2SP301NW22, SWTA21*M3022, SWTA21*M3050, SWTA21*N3050, SWTX21*M3000, SWTX21*M3020, SWTX21*M3022, SWTX21*M3050, SWTX21*M3069, SWTX21*N1127, SWTX21*N3000, SWTX21*N3020, SWTX21*N3022, SWTX21*N3050 and SWTX21*N3069
	39955P	Meter Case Wire Harness Kit	All other models
7	503673	Screw	
8	39874WP	Service Door Assembly	White
	39874LP	Service Door Assembly	Almond
	39874QP	Service Door Assembly	Bisque
9	30642	Meter Case Locking Bracket	
10	30647	Nut	
11	802505W	Meter Case Assembly	White; Model HWTR21*N1102
	802505Q	Meter Case Assembly	Bisque; Model HWTR21*N1102
	38724W	Meter Case Assembly	White; All other models
	38724L	Meter Case Assembly	Almond; All other models
	38724Q	Meter Case Assembly	Bisque; All other models
12	26354	Meter Case Gasket	
13	35525	Meter Case Lockdown Bracket	
14	02505	Bolt	
15	35526	Meter Case Bracket Gasket	
16	802337	Nut	
17	512973	Switch	
18	38717	Single Overlay	
19	36048	Screw	
20	201595P	Wire Guard	Anti-stringing security device; Add to coin drops manufactured Jan. 2005 and later

\* Add Letter To Designate Color. L - Almond Q - Bisque W - White

# Coin Drop, Meter Case and Service Door (Drawing 2 of 2)

Models HWT521\*A1102, HWT521\*C1102, HWTB21\*M1102, HWTB21\*N1102,  
HWTT21\*N1102, HWTZ21\*M1102 and HWTZ21\*N1102



TLW1548P\_39202

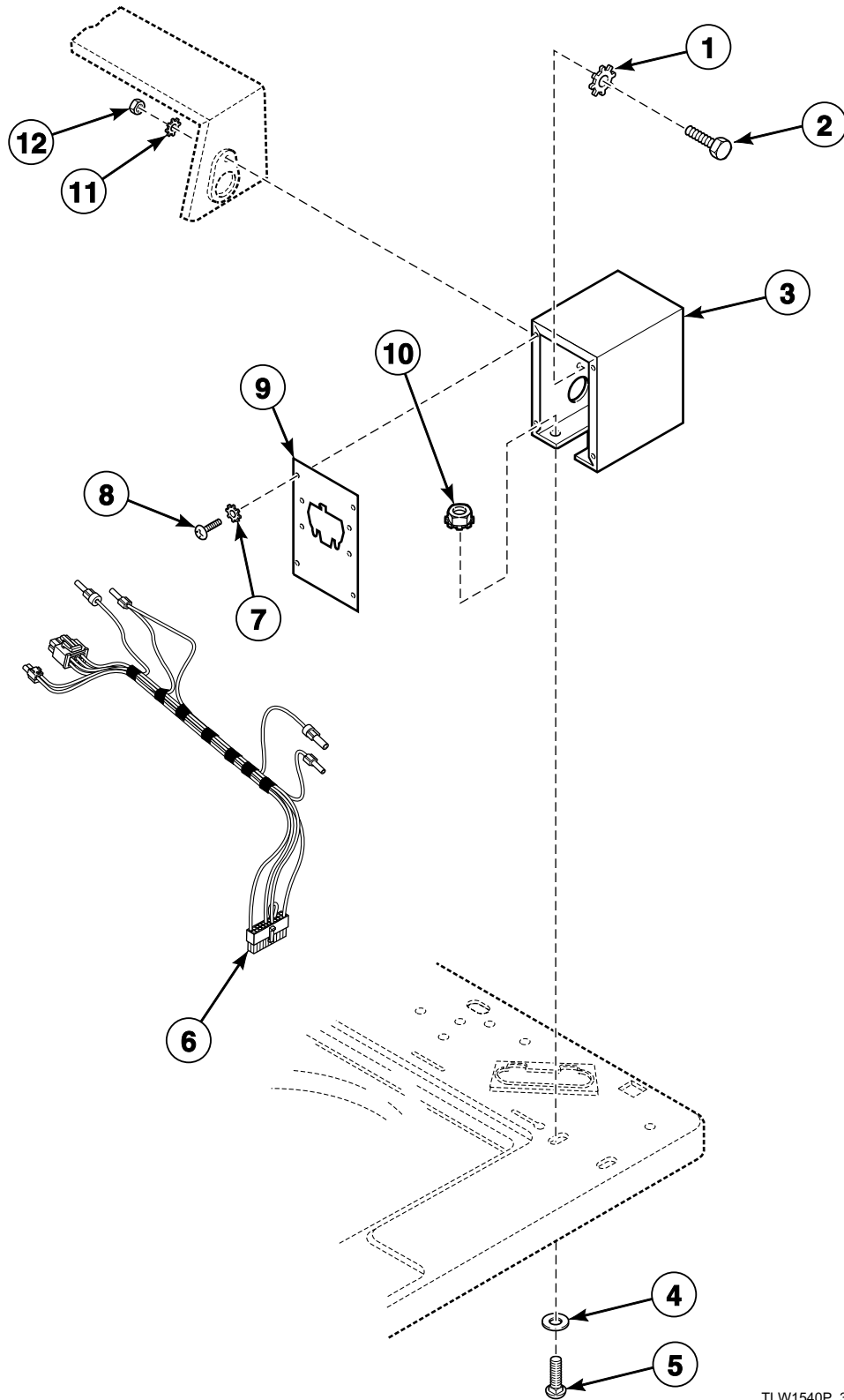
## Coin Drop, Meter Case and Service Door (Drawing 2 of 2)

REF	PART NO.	DESCRIPTION	COMMENTS
1	29786	Nut	
2	200674P	Opto Coupler	
3	36048	Screw	
4	512973	Switch	
5	802905	Harness Assembly	Models HWTB21*M1102, HWTB21*N1102, HWTT21*N1102, HWTZ21*M1102 and HWTZ21*N1102
	39955P	Meter Case Wire Harness Kit	Models HWT521*A1102 and HWT521*C1102
6	503673	Screw	
7	39874WP	Service Door Assembly	White
	39874LP	Service Door Assembly	Almond
	39874QP	Service Door Assembly	Bisque
8	30642	Meter Case Locking Bracket	
9	30647	Nut	
10	38724W	Meter Case Assembly	White
	38724L	Meter Case Assembly	Almond
	38724Q	Meter Case Assembly	Bisque
11	38571	Multiplier Assembly	Only EDC models
12	26354	Meter Case Gasket	
13	38673	Multiplier Harness	Only EDC models
14	35525	Meter Case Lockdown Bracket	
15	02505	Bolt	
16	35526	Meter Case Bracket Gasket	
17	802337	Nut	
18	39073	Dual Overlay	
	38676	Overlay Kit	Includes 38725 Coin Identification Paper
19	38467	Coin Drop Assembly	Dual; Australia; Currency .20 and 1.00
	38464P	Coin Drop Assembly	Single; Canada; Currency .25
	70441602	Coin Drop Assembly	Dual; Canada; Currency .25 and 1.00
	38472	Coin Drop Assembly	Dual; England; Currency 20 pence and 1 pound
	38519	Coin Drop Assembly	Dual; Japan; Currency 100 yen and 500 yen
	38521	Coin Drop Assembly	Dual; Korea; Currency 100 won and 500 won
	38462P	Coin Drop Assembly	Single; Token; Currency STD-118-1
	38463	Coin Drop Assembly	Single; Token; Currency STD-118-5
	38963P	Coin Drop	Single; Token; Currency STD-118-16
	70441601P	Coin Drop	Single; U.S.A.; Currency \$.25
	70482401	Coin Drop Assembly	Dual; New Zealand; 1.00 and 2.00

\* Add Letter To Designate Color. L - Almond Q - Bisque W - White

# Timer Case

Models HWT621\*A1102 and HWT621\*C1102



TLW1540P\_39202

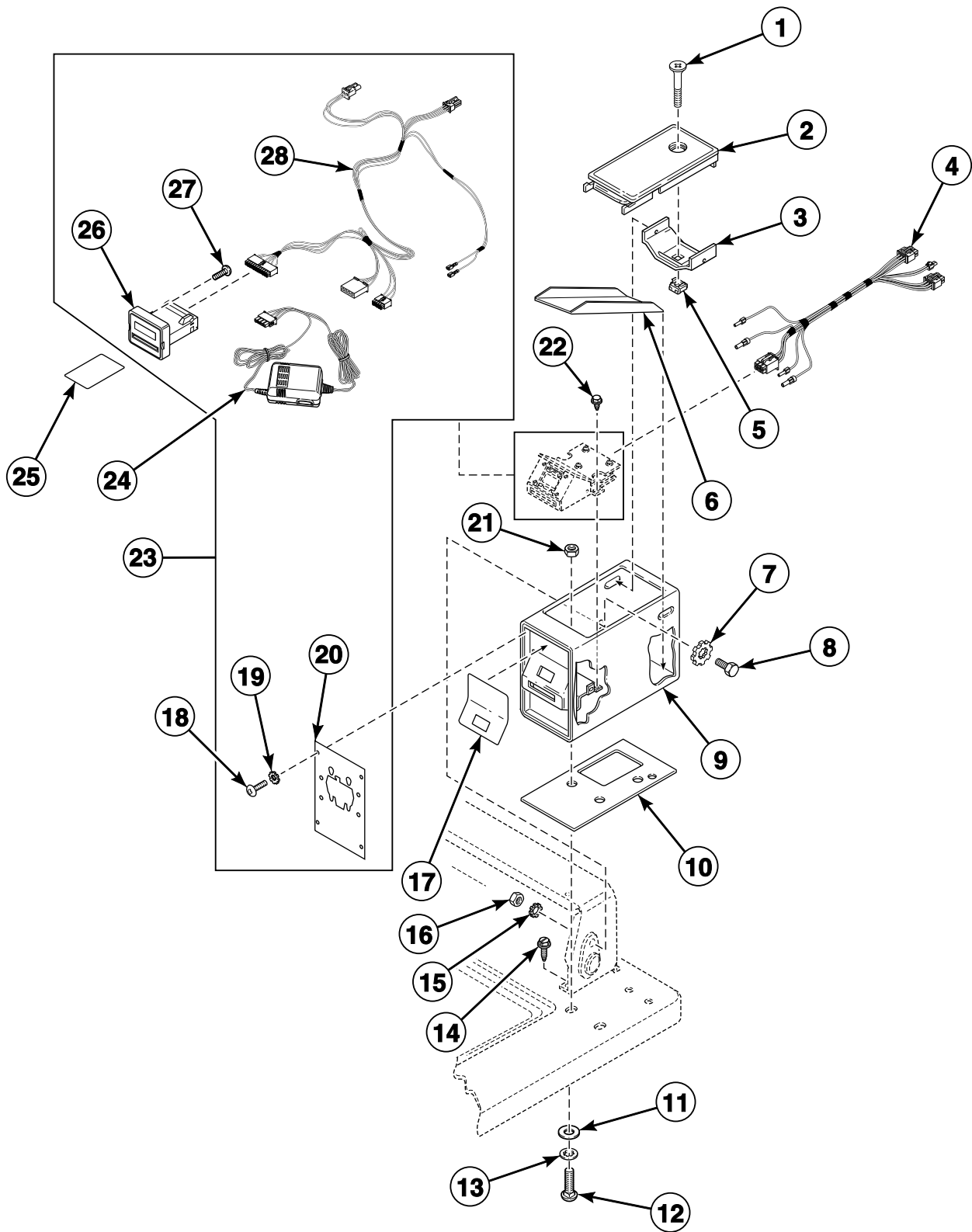
# Timer Case

REF	PART NO.	DESCRIPTION	COMMENTS
1	M400017	Washer	
2	02916	Screw	
3	37733W	Timer Case Assembly	
4	30627	Washer	
5	02505	Bolt	
6	38026	Security Wire Harness Assembly	
7	21734	Washer	
8	51778	Screw	
9	39481W	Timer Plate	White; Model HWT621*C1102
	39481L	Timer Plate	Almond; Model HWT621*C1102
10	29786	Nut	
11	02431	Washer	
12	52566	Nut	

\* Add Letter To Designate Color. L - Almond Q - Bisque W - White

# Security Case and Card Reader

Models HWT721\*A1102 and HWT721\*C1102



TLW1618P\_39202

## Security Case and Card Reader

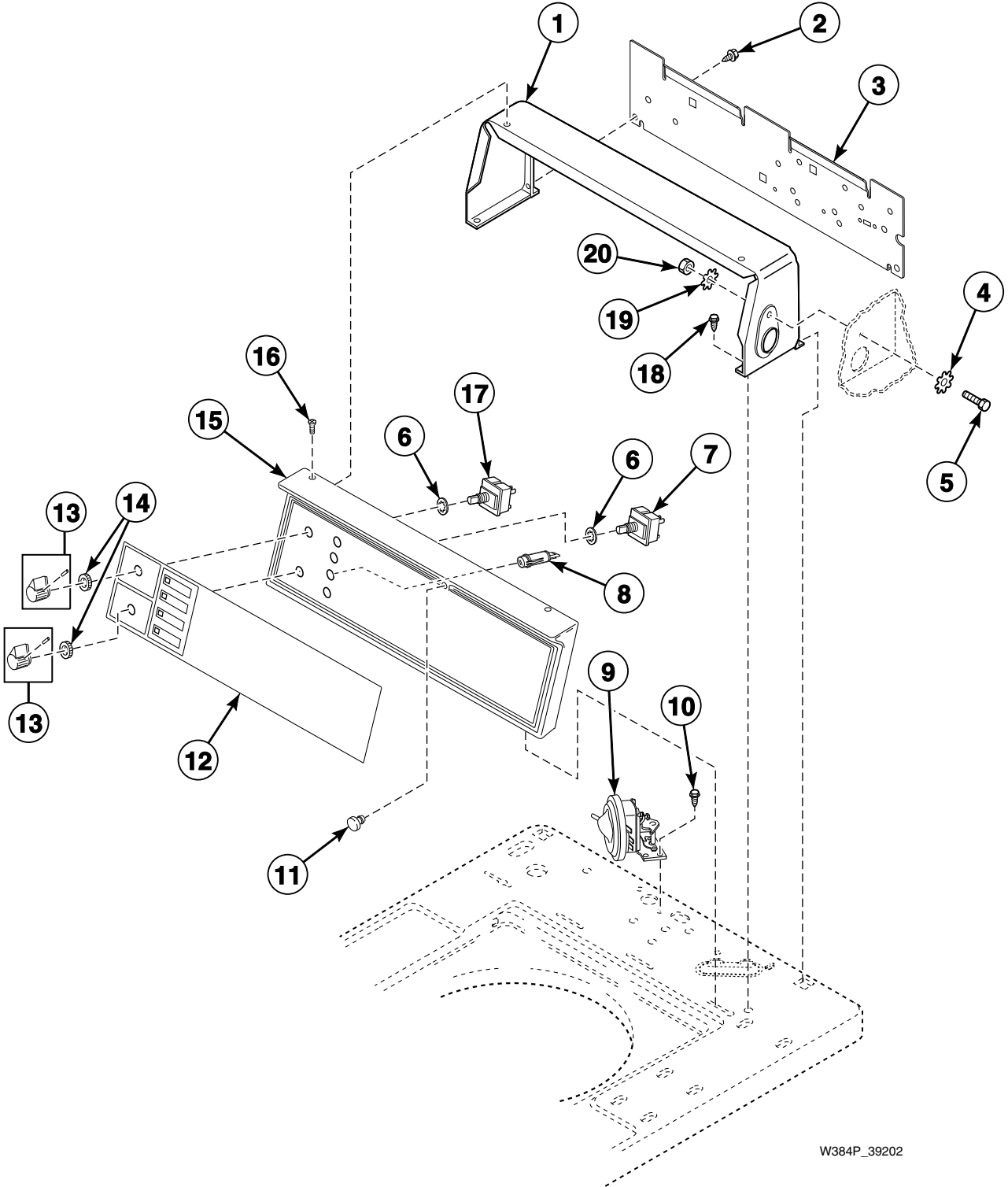
REF	PART NO.	DESCRIPTION	COMMENTS
1	503673	Screw	
2	39874WP	Service Door Assembly	White
	39874LP	Service Door Assembly	Almond
	39874QP	Service Door Assembly	Bisque
3	30642	Meter Case Locking Bracket	
4	38191	Card Reader Wire Harness Assembly	Use with 39685 Card Reader
5	30647	Nut	
6	N/A	Card Reader Shield	
7	M400017	Washer	
8	02916	Screw	
9	N/A	Security Case Assembly	Use with 39685 Card Reader
	37733W	Timer Case Assembly	Use with card reader kit
10	N/A	Security Case Gasket	
11	23225	Washer	
12	02505	Bolt	
13	30627	Washer	
14	23962	Screw	
15	02431	Washer	
16	52566	Nut	
17	N/A	Instruction Overlay	Use with 39685 Card Reader
18	51778	Screw	Use with card reader kit
19	21734	Washer	Use with card reader kit
20	39481W	Timer Plate	Use with card reader kit
21	29786	Nut	
22	52909	Screw	
23	874P3	Card Reader Kit	Includes items 9, 18-20, 24 and 26-28
24	512496	Power Supply	
25	512499P	Programming Card	
26	512473	Card Reader	
27	512504	Screw	
28	512501	Harness	

\* Add Letter To Designate Color. L - Almond Q - Bisque W - White

N/A = Part no longer available

# Control Panel, Control Hood and Controls (Drawing 1 of 18)

Models HWT021\*A1102, HWT111\*A1102, HWT111\*A3000, HWT121\*A1102, HWT210\*A1102, HWT211\*A3000, HWT211\*M3000, HWT220\*A1102, HWT220\*M3000, HWT221\*A1102, SWT011\*A3000, SWT011\*A3022, SWT011\*A3062, SWT011\*M3000, SWT011\*M3022, SWT011\*N3000, SWT011\*N3022, SWT011\*N3062, SWT111\*A1200, SWT111\*A1300, SWT111\*A3000, SWT111\*A3022, SWT111\*A5412, SWT111\*M1200, SWT111\*M1300, SWT111\*M3000, SWT111\*M3022, SWT111\*M5412, SWT111\*N3000, SWT111\*N3022, SWT111\*N5412, SWT111\*N5417, SWT121\*A3000, SWT121\*M3000, SWT211\*A1200, SWT211\*A1300, SWT211\*A3000, SWT211\*A3022, SWT211\*A3062, SWT211\*M3000, SWT211\*M3022, SWT211\*N3000, SWT211\*N3022, SWT211\*N3062, UWT011\*A3022 and UWT011\*M3022



W384P\_39202



## Control Panel, Control Hood and Controls (Drawing 1 of 18)

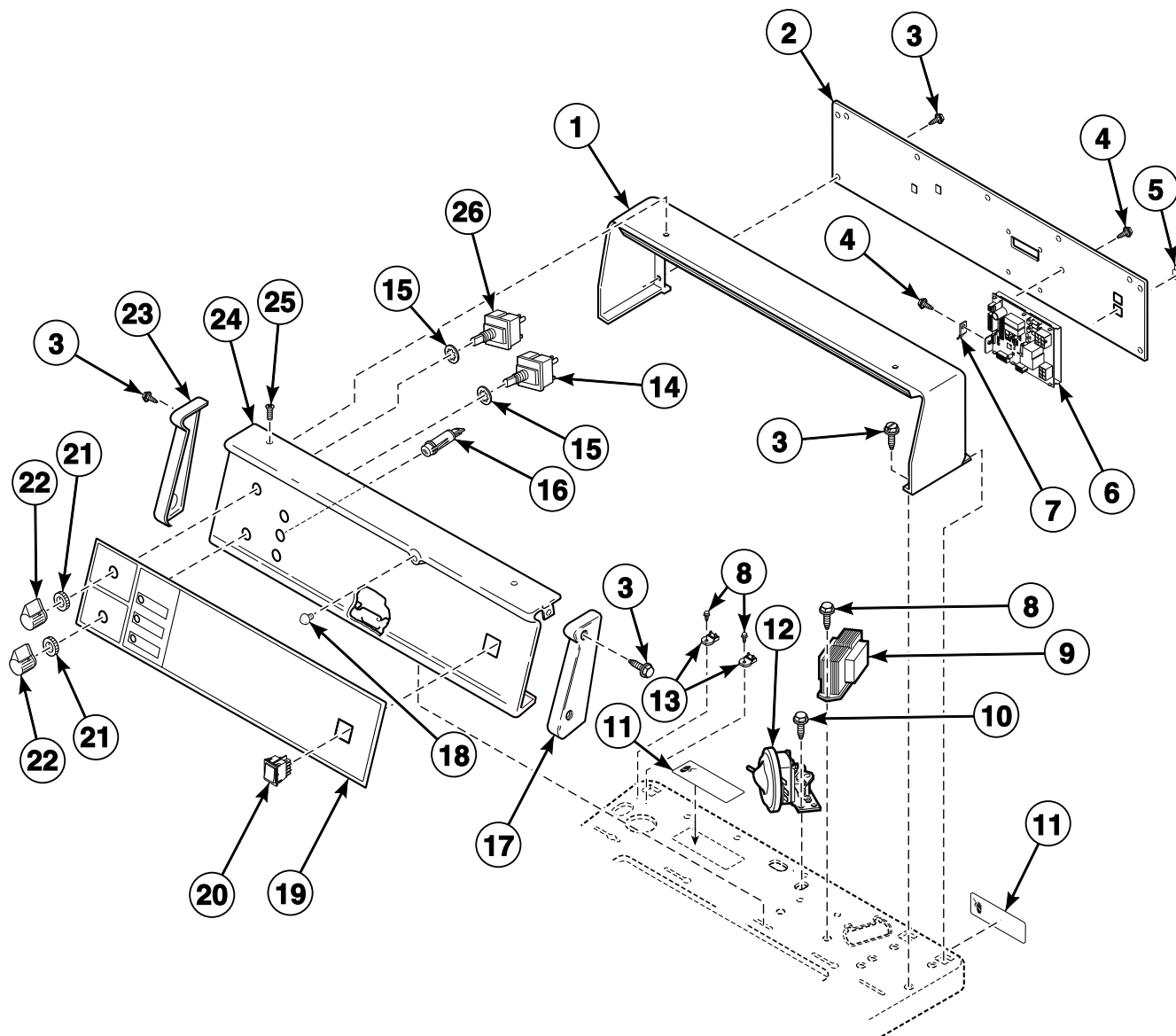
REF	PART NO.	DESCRIPTION	COMMENTS
1	37075W	Control Hood	White
	37075L	Control Hood	Almond
	37075Q	Control Hood	Bisque
2	23222	Screw	
3	38267	Hood Back Panel	
4	M400017	Washer	
5	02916	Screw	
6	91176	Washer	
7	27762	Switch	2 speed models
8	32464	Light	125 Volt; Nonmetered models 3 required; Metered models 2 required (1 rinse and 1 spin)
	32466	Light	125 Volt; In use
	32519	Light	250 Volt; Nonmetered models 3 required; Metered models 2 required (1 rinse and 1 spin)
	38281	Light	250 Volt; In use
9	35889P	Pressure Switch	
10	23962	Screw	
11	32648	Control Panel Bumper	
	M400795	Bumper	Extra thick
12	201258	Graphic Overlay	Models SWT011*A3000, SWT011*A3022, SWT011*A3062, SWT011*M3000, SWT011*M3022, SWT011*N3000, SWT011*N3022, SWT011*N3062, SWT111*A1200, SWT111*A1300, SWT111*A3000, SWT111*A3022, SWT111*M1200, SWT111*M1300, SWT111*M3000, SWT111*M3022, SWT111*N3000, SWT111*N3022, SWT211*A1200, SWT211*A1300, SWT211*A3000, SWT211*A3022, SWT211*A3062, SWT211*M3000, SWT211*M3022, SWT211*N3000, SWT211*N3022 and SWT211*N3062
	201259	Graphic Overlay	Models SWT121*A3000 and SWT121*M3000
	N/A	Control Panel Overlay	Models SWT111*A5412, SWT111*M5412, SWT111*N5412 and SWT111*N5417
	N/A	Graphic Overlay	Models HWT021*A1102, HWT121*A1102, HWT220*A1102 and HWT221*A1102
	N/A	Graphic Overlay	Models HWT111*A1102, HWT111*A3000, HWT210*A1102, HWT211*A3000, HWT211*M3000 and HWT220*M3000
	201273	Control Panel Overlay	Models UWT011*A3022 and UWT011*M3022
13	39897	Switch Knob	
14	24205	Nut	
15	36521WP	Control Panel and Bracket Assembly	White
	36521LP	Control Panel and Bracket Assembly	Almond
	36521QP	Control Panel and Bracket Assembly	Bisque
16	500226	Screw	Phillips head
	35528	Screw	Torx head; For added security
17	27761	Switch	
18	501086	Screw	
19	02431	Washer	
20	52566	Nut	

\* Add Letter To Designate Color. L - Almond Q - Bisque W - White

N/A = Part no longer available

# Control Panel, Control Hood and Controls (Drawing 2 of 18)

Models BWT820\*N1102, HWT821\*N1102, JWT810\*N5400, NWT811\*N5422, NWT821\*N3022, SWT811\*N3000, SWT811\*N3022, SWT811\*N3062 and UWT821\*N1102



TLW1637P\_39202

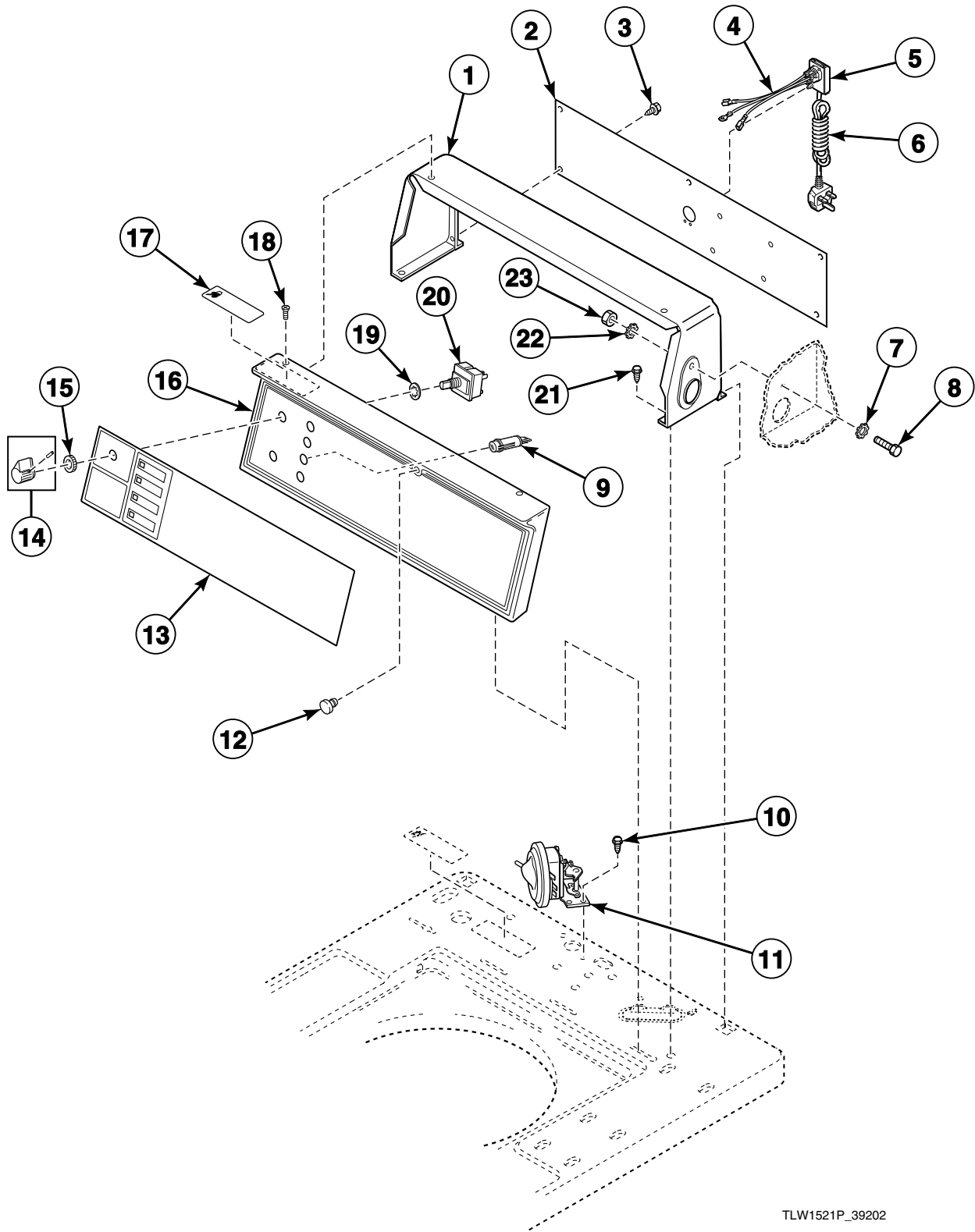
## Control Panel, Control Hood and Controls (Drawing 2 of 18)

REF	PART NO.	DESCRIPTION	COMMENTS
1	210142W	Control Hood	
2	201732	Rear Panel	
3	501086	Screw	
4	501524	Screw	
5	M406494	Panel Clip	
6	201577P	Control Assembly	
7	00177	Male Tab Terminal	
8	503661	Screw	
9	201587P	Transformer	Models BWT820*N1102, HWT821*N1102 and UWT821*N1102
	201616P	Transformer	Models JWT810*N5400, NWT811*N5422, NWT821*N3022, SWT811*N3000, SWT811*N3022 and SWT811*N3062
10	23962	Screw	
11	505281	Disconnect Power Warning Label	
12	35889P	Pressure Switch	
13	210100	Resistor	Models JWT810*N5400, NWT811*N5422, NWT821*N3022, SWT811*N3000, SWT811*N3022 and SWT811*N3062
14	201686	Cycle Selector Switch	Models BWT820*N1102, HWT821*N1102, NWT821*N3022 and UWT821*N1102
15	91176	Washer	
16	801431	Light	
17	210108W	End Cap	Right
18	32648	Control Panel Bumper	
	M400795	Bumper	Extra thick
19	201744	Control Overlay	Models SWT811*N3000, SWT811*N3022 and SWT811*N3062
	201762	Control Overlay	Model HWT821*N1102
	202012	Control Overlay	Model BWT820*N1102
	201938	Control Overlay	Model JWT810*N5400
	201763	Control Overlay	Model UWT821*N1102
	202134	Control Overlay	Model NWT811*N5422
	202129	Control Overlay	Model NWT821*N3022
20	70455101	Rocker Switch	
21	24205	Nut	
22	39897	Switch Knob	
23	210109W	End Cap	Left
24	201742W	Control Panel Assembly	
25	52864	Screw	
26	27761	Switch	Models BWT820*N1102, HWT821*N1102, NWT821*N3022 and UWT821*N1102
	201686	Cycle Selector Switch	All other models

\* Add Letter To Designate Color. L - Almond Q - Bisque W - White

# Control Panel, Control Hood and Controls (Drawing 3 of 18)

Models SWT011\*A3050 and SWT111\*A3050



TLW1521P\_39202

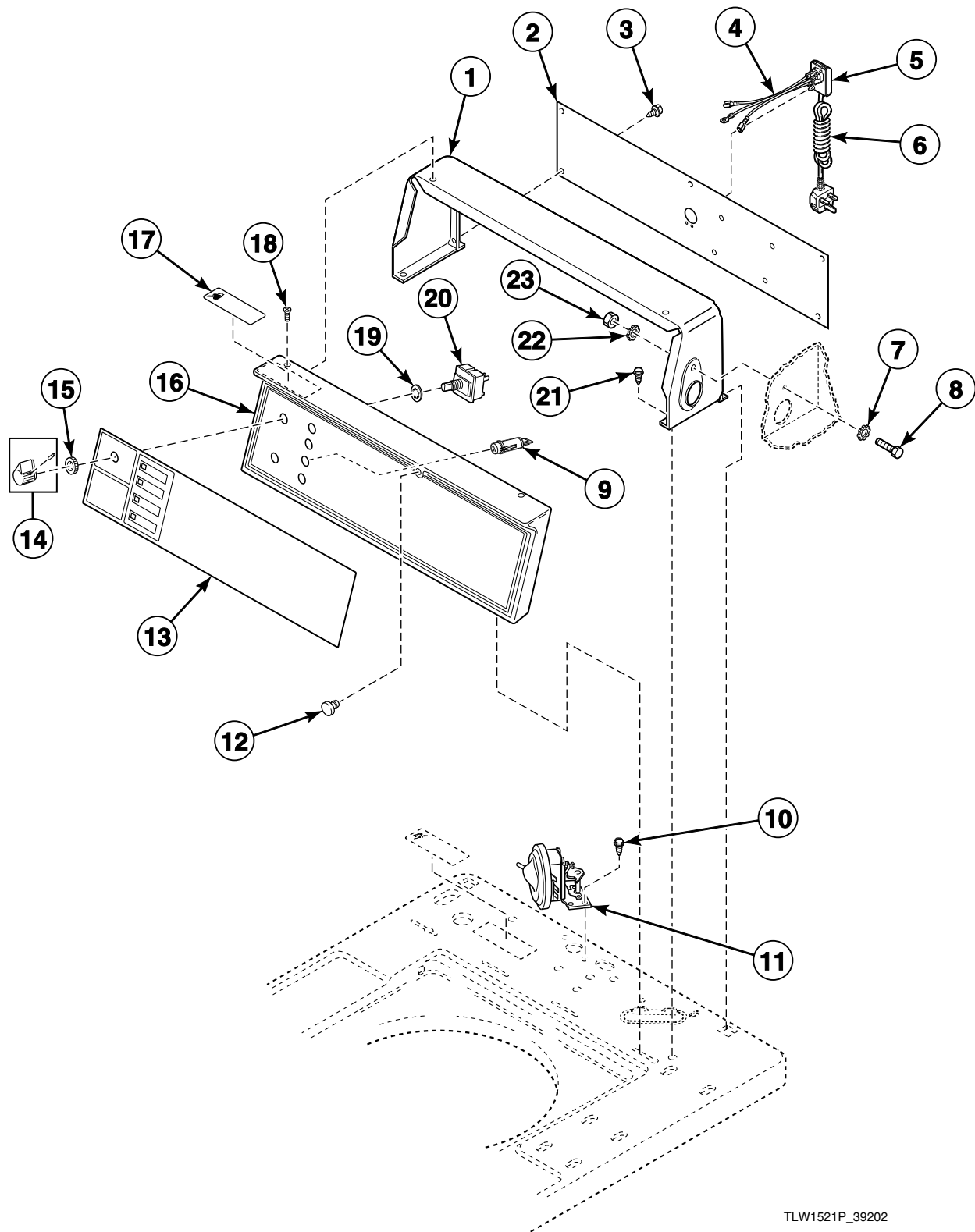
## Control Panel, Control Hood and Controls (Drawing 3 of 18)

REF	PART NO.	DESCRIPTION	COMMENTS
1	37075W	Control Hood	White
	37075L	Control Hood	Almond
	37075Q	Control Hood	Bisque
2	38267	Hood Back Panel	Models through Serial Nos. beginning 0005
	39920	Hood Back Panel	Models starting Serial Nos. beginning 0005
3	23222	Screw	
4	39923	Lead-In Wire Harness Assembly	Models starting Serial Nos. beginning 0005
5	39922	Cable Connection Box	Models starting Serial Nos. beginning 0005
6	39931	Power Cord Assembly	Models starting Serial Nos. beginning 0005
7	M400017	Washer	
8	02916	Screw	
9	38281	Light	250 Volt; In use
10	23962	Screw	
11	35889P	Pressure Switch	
12	32648	Control Panel Bumper	
	M400795	Bumper	Extra thick
13	201258	Graphic Overlay	
14	39897	Switch Knob	
15	24205	Nut	
16	36521WP	Control Panel and Bracket Assembly	White
	36521LP	Control Panel and Bracket Assembly	Almond
	36521QP	Control Panel and Bracket Assembly	Bisque
17	511021	Shock Warning Label	
18	500226	Screw	Phillips head
	35528	Screw	Torx head; For added security
19	91176	Washer	
20	27761	Switch	
21	501086	Screw	
22	02431	Washer	
23	52566	Nut	

\* Add Letter To Designate Color. L - Almond Q - Bisque W - White

# Control Panel, Control Hood and Controls (Drawing 4 of 18)

Models SWT011\*A3028, SWT011\*M3050, SWT011\*N3028, SWT011\*N3050, SWT111\*A3028, SWT111\*M3050, SWT111\*M99K5, SWT111\*N3028, SWT111\*N3050, SWT211\*N3050 and UWT011\*A3025



TLW1521P\_39202

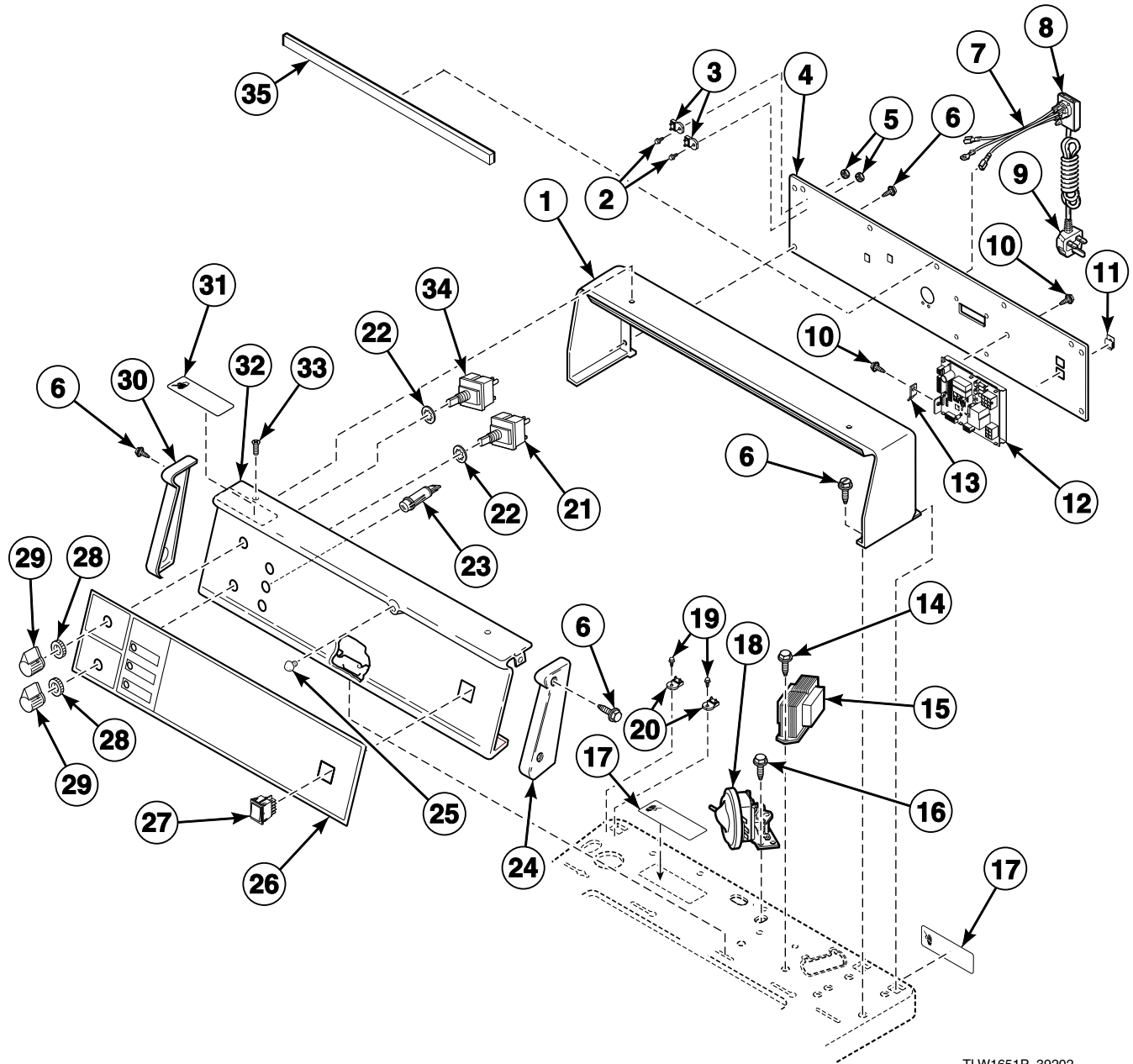
## Control Panel, Control Hood and Controls (Drawing 4 of 18)

REF	PART NO.	DESCRIPTION	COMMENTS
1	37075W	Control Hood	White
	37075L	Control Hood	Almond
	37075Q	Control Hood	Bisque
2	39920	Hood Back Panel	
3	23222	Screw	
4	39923	Lead-In Wire Harness Assembly	
5	39922	Cable Connection Box	
6	39984	Power Cord Assembly	Models SWT011*A3028, SWT011*N3028, SWT111*A3028, SWT111*N3028 and UWT011*A3025
	39931	Power Cord Assembly	All other models
7	M400017	Washer	
8	02916	Screw	
9	38281	Light	250 Volt; In use
10	23962	Screw	
11	35889P	Pressure Switch	
12	32648	Control Panel Bumper	
	M400795	Bumper	Extra thick
13	201273	Control Panel Overlay	Model UWT011*A3025
	201258	Graphic Overlay	All other models
14	39897	Switch Knob	
15	24205	Nut	
16	36521WP	Control Panel and Bracket Assembly	White
	36521LP	Control Panel and Bracket Assembly	Almond
	36521QP	Control Panel and Bracket Assembly	Bisque
17	511021	Shock Warning Label	
18	500226	Screw	Phillips head
	35528	Screw	Torx head; For added security
19	91176	Washer	
20	27761	Switch	
21	501086	Screw	
22	02431	Washer	
23	52566	Nut	

\* Add Letter To Designate Color. L - Almond Q - Bisque W - White

# Control Panel, Control Hood and Controls (Drawing 5 of 18)

Models JWT810\*N3020, JWT810\*N3050, JWT820\*N3050 and SWT811\*N3050



TLW1651P\_39202



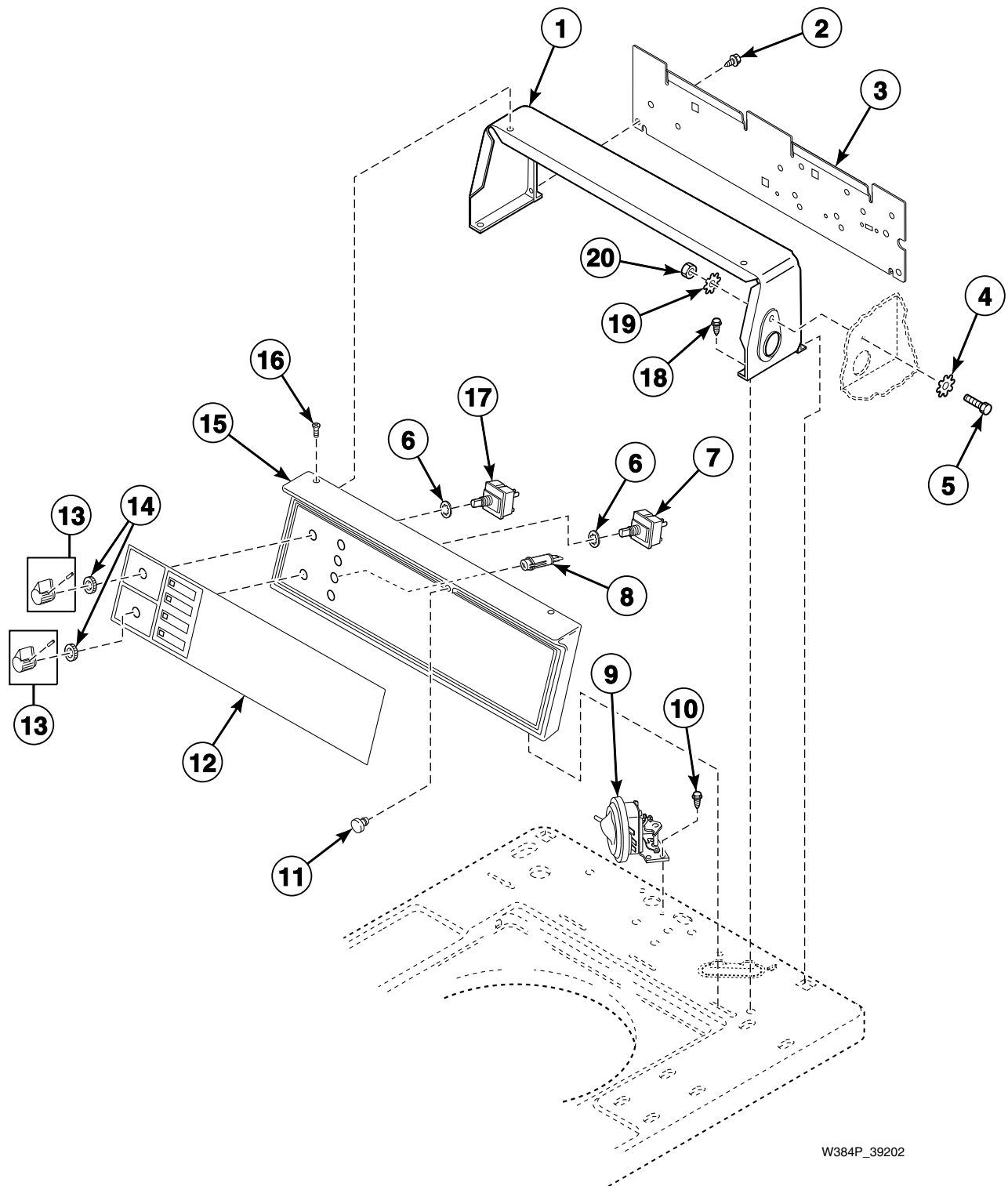
## Control Panel, Control Hood and Controls (Drawing 5 of 18)

REF	PART NO.	DESCRIPTION	COMMENTS
1	210142W	Control Hood	
2	685837	Screw	Models JWT810*N3050, JWT820*N3050 and SWT811*N3050
3	210100	Resistor	Models JWT810*N3050, JWT820*N3050 and SWT811*N3050
4	201951	Rear Panel	
5	802343	Nut	Models JWT810*N3050, JWT820*N3050 and SWT811*N3050
6	501086	Screw	
7	39923	Lead-In Wire Harness Assembly	
8	39922	Cable Connection Box	
9	39931	Power Cord Assembly	Models JWT810*N3050, JWT820*N3050 and SWT811*N3050
	39926	Lead-In Cord	Model JWT810*N3020
10	501524	Screw	
11	M406494	Panel Clip	
12	201577P	Control Assembly	
13	00177	Male Tab Terminal	
14	503661	Screw	
15	201616P	Transformer	
16	23962	Screw	
17	505281	Disconnect Power Warning Label	
18	35889P	Pressure Switch	
19	503661	Screw	Model JWT810*N3020
20	210100	Resistor	Model JWT810*N3020
21	201686	Cycle Selector Switch	Model JWT820*N3050
22	91176	Washer	
23	801431	Light	
24	210108W	End Cap	Right
25	32648	Control Panel Bumper	
	M400795	Bumper	Extra thick
26	201744	Control Overlay	Model SWT811*N3050
	201938	Control Overlay	Models JWT810*N3020 and JWT810*N3050
	201936	Control Overlay	Model JWT820*N3050
27	70455101	Rocker Switch	
28	24205	Nut	
29	39897	Switch Knob	
30	210109W	End Cap	Left
31	511021	Shock Warning Label	Models JWT810*N3050, JWT820*N3050 and SWT811*N3050
32	201742W	Control Panel Assembly	
33	52864	Screw	
34	27761	Switch	Model JWT820*N3050
	201686	Cycle Selector Switch	All other models
35	70392701P	Gasket	Models JWT810*N3050, JWT820*N3050 and SWT811*N3050

\* Add Letter To Designate Color. L - Almond Q - Bisque W - White

# Control Panel, Control Hood and Controls (Drawing 6 of 18)

Models HWT021\*C1102, HWT021\*M1102, HWT021\*N1102, HWT111\*C1102, HWT111\*C3000, HWT111\*M1102, HWT111\*M3000, HWT111\*N1102, HWT121\*C1102, HWT121\*M1102, HWT121\*N1102, HWT210\*C1102, HWT210\*M1102, HWT210\*N1102, HWT211\*C1102, HWT211\*C3000, HWT220\*C1102, HWT220\*M1102, HWT220\*M3020, HWT221\*C1102, HWT221\*M1102, HWT221\*N1102 and HWT221\*N1127



W384P\_39202

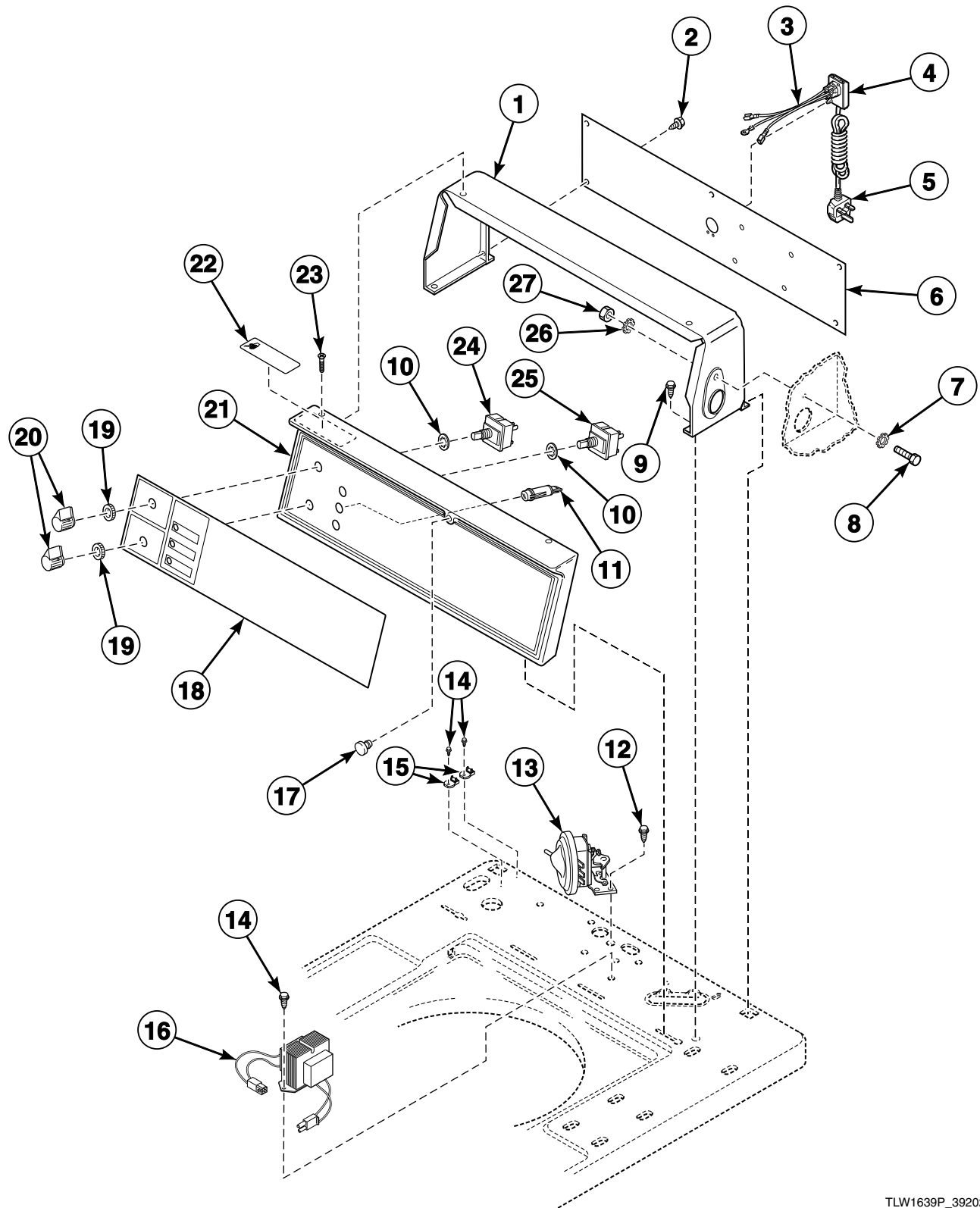
## Control Panel, Control Hood and Controls (Drawing 6 of 18)

REF	PART NO.	DESCRIPTION	COMMENTS
1	37075W	Control Hood	White
	37075L	Control Hood	Almond
	37075Q	Control Hood	Bisque
2	23222	Screw	
3	38267	Hood Back Panel	
4	M400017	Washer	
5	02916	Screw	
6	91176	Washer	
7	27762	Switch	2 speed models
8	32464	Light	125 Volt; Nonmetered models 3 required; Metered models 2 required (1 rinse and 1 spin)
	32466	Light	125 Volt; In use
	32519	Light	250 Volt; Nonmetered models 3 required; Metered models 2 required (1 rinse and 1 spin)
	38281	Light	250 Volt; In use
9	35889P	Pressure Switch	
10	23962	Screw	
11	32648	Control Panel Bumper	
	M400795	Bumper	Extra thick
12	201267	Graphic Overlay	Models HWT111*C1102, HWT111*C3000, HWT111*M1102, HWT111*M3000, HWT111*N1102, HWT210*C1102, HWT210*M1102, HWT210*N1102, HWT211*C1102 and HWT211*C3000
	201266	Graphic Overlay	Models HWT021*C1102, HWT021*M1102, HWT021*N1102, HWT121*C1102, HWT121*M1102, HWT121*N1102, HWT220*C1102, HWT220*M1102, HWT221*C1102, HWT221*M1102, HWT221*N1102 and HWT221*N1127
	201268	Control Panel Overlay	Model HWT220*M3020
13	39897	Switch Knob	
14	24205	Nut	
15	36521WP	Control Panel and Bracket Assembly	White
	36521LP	Control Panel and Bracket Assembly	Almond
	36521QP	Control Panel and Bracket Assembly	Bisque
16	500226	Screw	Phillips head
	35528	Screw	Torx head; For added security
17	27761	Switch	
18	501086	Screw	
19	02431	Washer	
20	52566	Nut	

\* Add Letter To Designate Color. L - Almond Q - Bisque W - White

# Control Panel, Control Hood and Controls (Drawing 7 of 18)

Models BWT920\*N1102, HWT911\*N1102, HWT911\*N3020, HWT921\*N1102, HWT921\*N1127,  
JWT910\*N3020, JWT910\*N3050, JWT920\*N3050, NWT911\*N5422, NWT921\*N3022,  
SWNSX1SP541NQ23, SWNSX1SP541NW23, SWT910\*N3050, SWT911\*N3000, SWT911\*N3020,  
SWT911\*N3022, SWT911\*N3028, SWT911\*N3050, SWT911\*N3062 and SWT911\*N5412



TLW1639P\_39202

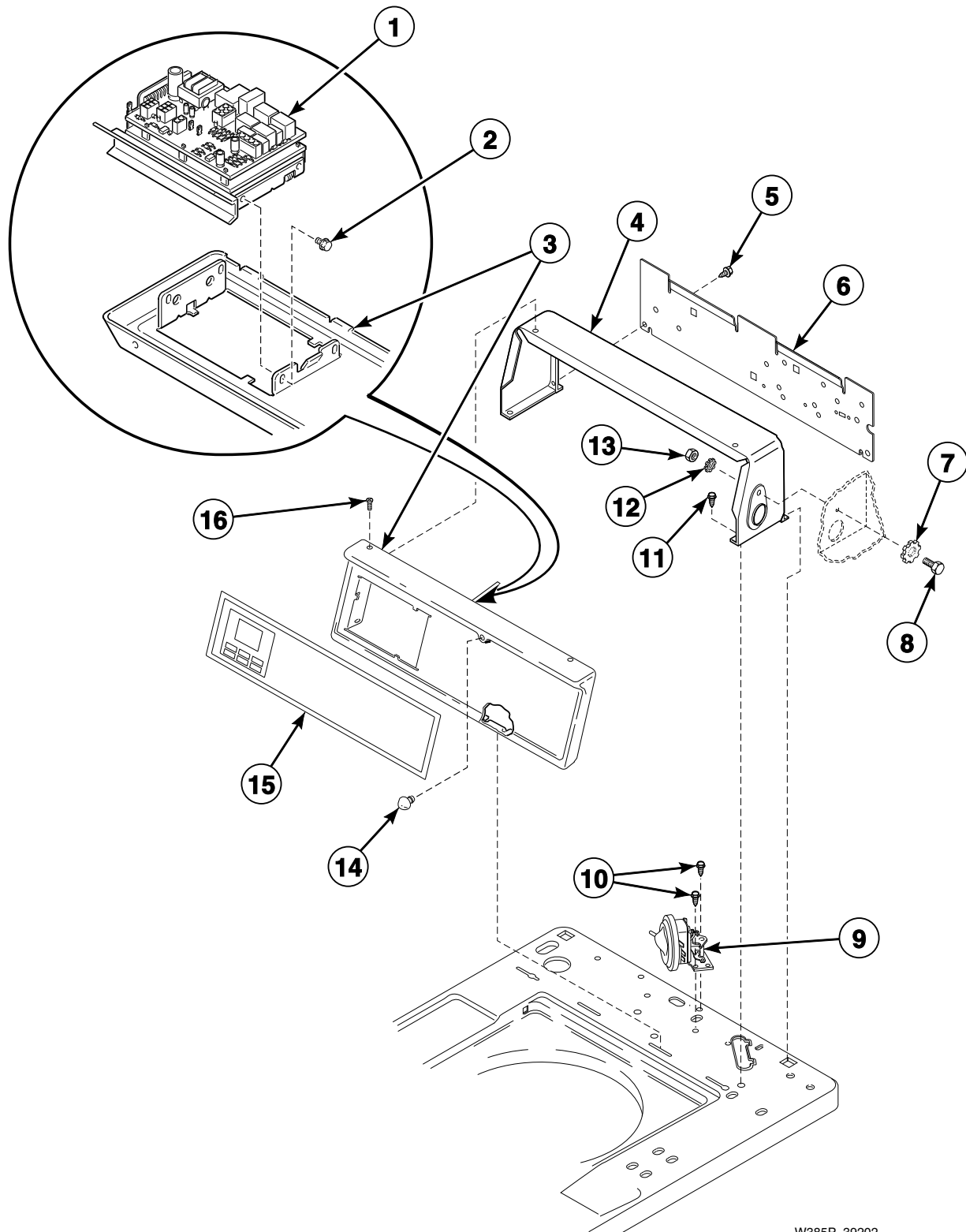
## Control Panel, Control Hood and Controls (Drawing 7 of 18)

REF	PART NO.	DESCRIPTION	COMMENTS
1	37075W	Control Hood	White
	37075Q	Control Hood	Bisque
2	23222	Screw	
3	39923	Lead-In Wire Harness Assembly	Models HWT911*N3020, JWT910*N3020, JWT910*N3050, JWT920*N3050, SWT910*N3050, SWT911*N3020, SWT911*N3028 and SWT911*N3050
4	39922	Cable Connection Box	Models HWT911*N3020, JWT910*N3020, JWT910*N3050, JWT920*N3050, SWT910*N3050, SWT911*N3020, SWT911*N3028 and SWT911*N3050
5	39926	Lead-In Cord	Models HWT911*N3020, JWT910*N3020 and SWT911*N3020
	39931	Power Cord Assembly	Models JWT910*N3050, JWT920*N3050, SWT910*N3050 and SWT911*N3050
	39984	Power Cord Assembly	Model SWT911*N3028
6	39920	Hood Back Panel	Models HWT911*N3020, JWT910*N3020, JWT910*N3050, JWT920*N3050, SWT910*N3050, SWT911*N3020, SWT911*N3028 and SWT911*N3050
	38267	Hood Back Panel	All other models
7	M400017	Washer	
8	02916	Screw	
9	501086	Screw	
10	91176	Washer	
11	801431	Light	
12	23962	Screw	
13	35889P	Pressure Switch	
14	503661	Screw	
15	210100	Resistor	Models HWT911*N3020, JWT910*N3020, JWT910*N3050, JWT920*N3050, NWT911*N5422, NWT921*N3022, SWNSX1SP541NQ23, SWNSX1SP541NW23, SWT910*N3050, SWT911*N3000, SWT911*N3020, SWT911*N3022, SWT911*N3028, SWT911*N3050, SWT911*N3062 and SWT911*N5412
			Models BWT920*N1102, HWT911*N1102, HWT921*N1102 and HWT921*N1127
16	201587P	Transformer	Models BWT920*N1102, HWT911*N1102, HWT921*N1102 and HWT921*N1127
	201616P	Transformer	All other models; Some models may have jumper wire attached to transformer. Discard jumper wire when replacing transformer.
17	32648	Control Panel Bumper	
	M400795	Bumper	Extra thick
18	201669	Control Overlay	Model SWT911*N5412
	201937	Control Overlay	Models JWT910*N3020 and JWT910*N3050
	201674	Control Overlay	Models HWT911*N1102 and HWT911*N3020
	201675	Control Overlay	Models HWT921*N1102 and HWT921*N1127
	201999	Graphic Overlay	Model BWT920*N1102
	202130	Control Overlay	Model NWT921*N3022
	202135	Control Overlay	Model NWT911*N5422
	201935	Control Overlay	Model JWT920*N3050
	201667	Control Overlay	All other models
19	24205	Nut	
20	39897	Switch Knob	
21	36521WP	Control Panel and Bracket Assembly	White
	36521QP	Control Panel and Bracket Assembly	Bisque
22	511021	Shock Warning Label	Models JWT910*N3050, JWT920*N3050, SWT910*N3050 and SWT911*N3050
23	500226	Screw	Phillips head
	35528	Screw	Torx head
24	27761	Switch	Models BWT920*N1102, HWT921*N1102, HWT921*N1127, JWT920*N3050 and NWT921*N3022
	201686	Cycle Selector Switch	All other models
25	201686	Cycle Selector Switch	Models BWT920*N1102, HWT921*N1102, HWT921*N1127, JWT920*N3050 and NWT921*N3022
26	02431	Washer	
27	52566	Nut	

\* Add Letter To Designate Color. L - Almond Q - Bisque W - White

# Control Panel, Control Hood and Controls (Drawing 8 of 18)

Models HWT521\*A1102, HWT521\*C1102, HWT621\*A1102, HWT621\*C1102, HWT721\*A1102, HWT721\*C1102, SWT421\*A3000, SWT421\*A3022, SWT421\*M3000 and SWT421\*M3022



W385P\_39202

## Control Panel, Control Hood and Controls (Drawing 8 of 18)

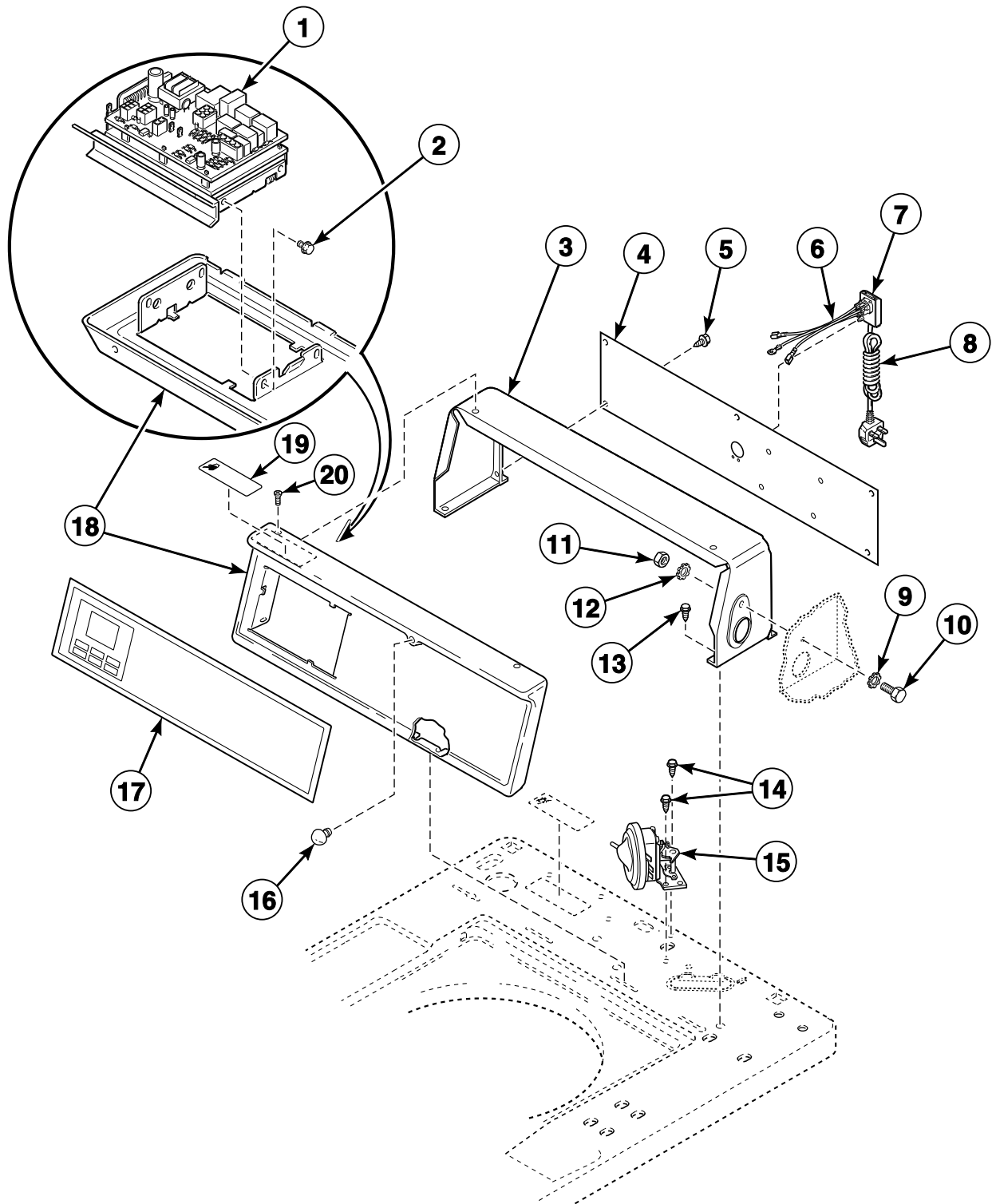
REF	PART NO.	DESCRIPTION	COMMENTS
1	36401P	Control and Shield Assembly	Models SWT421*A3000 and SWT421*A3022
	38188P	Control, Shield and Tape Kit	Models HWT521*A1102, HWT521*C1102, HWT621*A1102, HWT621*C1102, HWT721*A1102 and HWT721*C1102
	39820	Control and Shield Assembly	Models SWT421*M3000 and SWT421*M3022
2	501524	Screw	
3	36097W	Control Panel Assembly	White
	36097L	Control Panel Assembly	Almond
	36097Q	Control Panel Assembly	Bisque
4	37075W	Control Hood	White
	37075L	Control Hood	Almond
	37075Q	Control Hood	Bisque
5	23222	Screw	
6	38267	Hood Back Panel	
7	M400017	Washer	
8	02916	Screw	
9	35889P	Pressure Switch	
10	23962	Screw	
11	501086	Screw	
12	02431	Washer	
13	52566	Nut	
14	32648	Control Panel Bumper	
	M400795	Bumper	Extra thick
15	39096	Control Panel Overlay	Models SWT421*A3000, SWT421*A3022, SWT421*M3000 and SWT421*M3022
	N/A	Control Panel Overlay	Models HWT521*A1102, HWT521*C1102, HWT621*A1102, HWT621*C1102, HWT721*A1102 and HWT721*C1102
16	52864	Screw	Phillips head
	35528	Screw	Torx head; For added security

\* Add Letter To Designate Color. L - Almond Q - Bisque W - White

N/A = Part no longer available

# Control Panel, Control Hood and Controls (Drawing 9 of 18)

Model SWT421\*A3050



TLW1156B\_39202



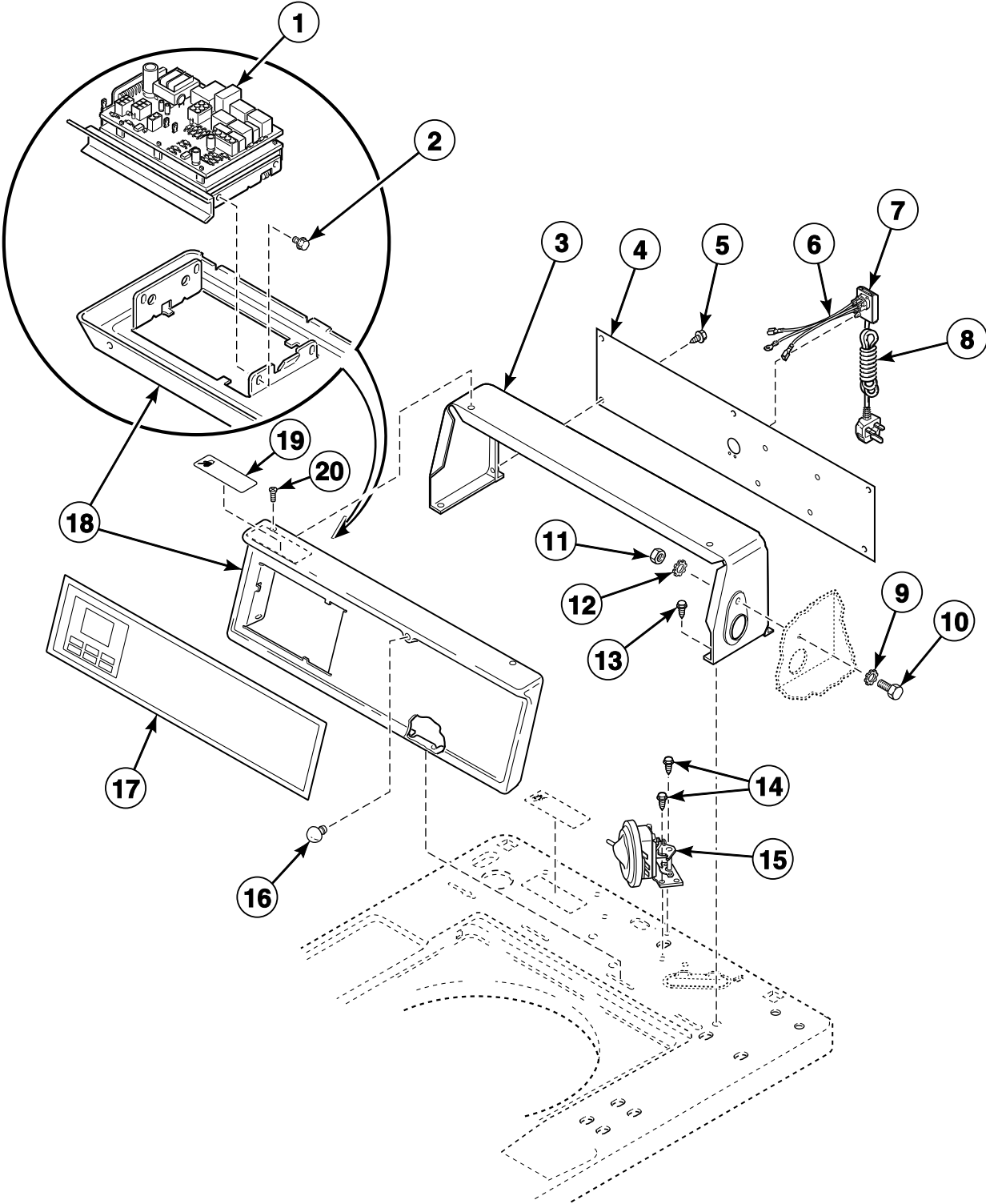
## Control Panel, Control Hood and Controls (Drawing 9 of 18)

REF	PART NO.	DESCRIPTION	COMMENTS
1	36401P	Control and Shield Assembly	
2	501524	Screw	
3	37075W	Control Hood	White
	37075L	Control Hood	Almond
	37075Q	Control Hood	Bisque
4	38267	Hood Back Panel	Models through Serial Nos. beginning 0005
	39920	Hood Back Panel	Models starting Serial Nos. beginning 0005
5	23222	Screw	
6	39923	Lead-In Wire Harness Assembly	Models starting Serial Nos. beginning 0005
7	39922	Cable Connection Box	Models starting Serial Nos. beginning 0005
8	39931	Power Cord Assembly	Models starting Serial Nos. beginning 0005
9	M400017	Washer	
10	02916	Screw	
11	52566	Nut	
12	02431	Washer	
13	501086	Screw	
14	23962	Screw	
15	35889P	Pressure Switch	
16	32648	Control Panel Bumper	
	M400795	Bumper	Extra thick
17	39096	Control Panel Overlay	
18	36097W	Control Panel Assembly	White
	36097L	Control Panel Assembly	Almond
	36097Q	Control Panel Assembly	Bisque
19	511021	Shock Warning Label	
20	52864	Screw	Phillips head
	35528	Screw	Torx head; For added security

\* Add Letter To Designate Color. L - Almond Q - Bisque W - White

# Control Panel, Control Hood and Controls (Drawing 10 of 18)

Models SWT421\*A3028 and SWT421\*M3050



TLW1156B\_39202

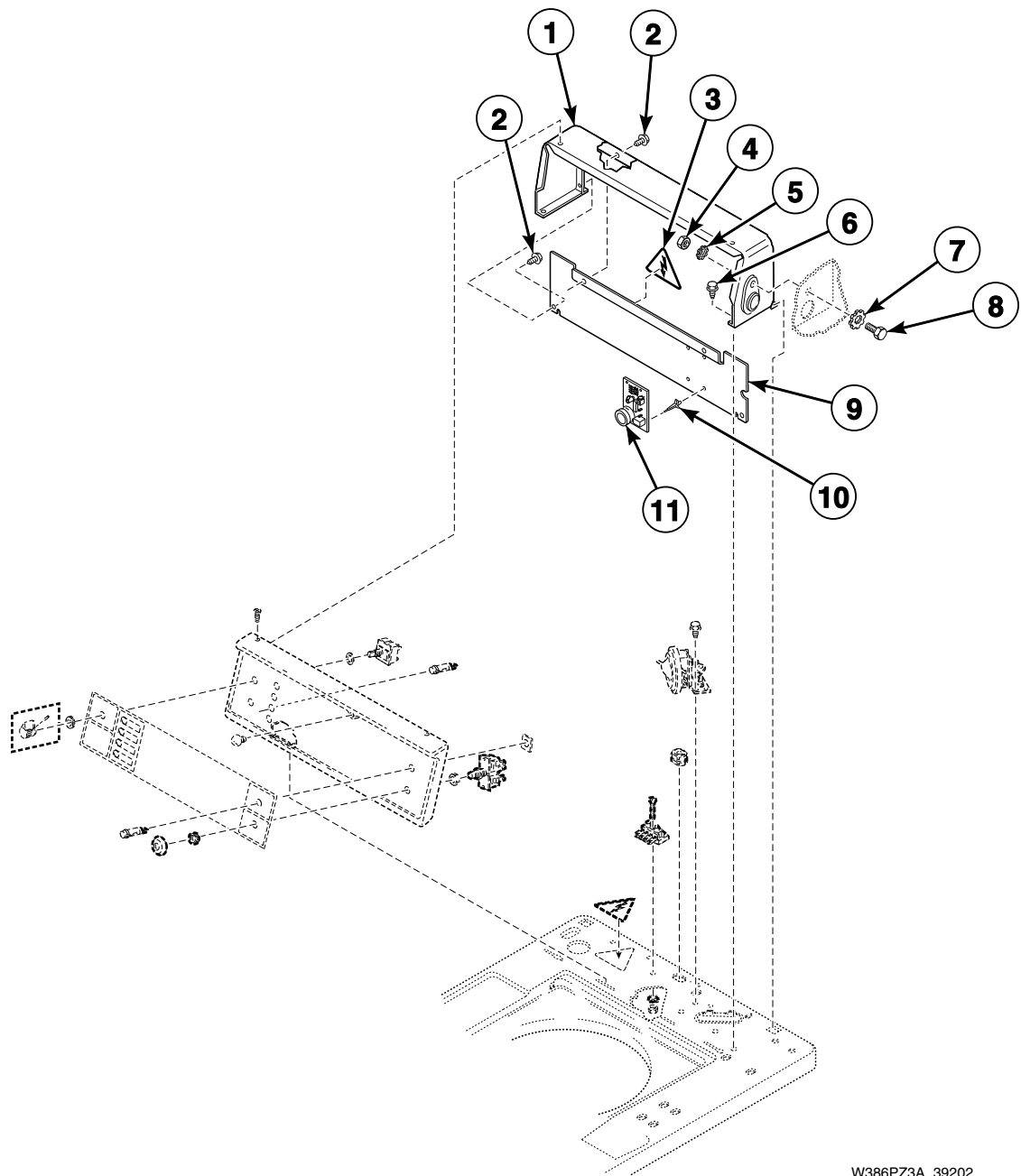
## Control Panel, Control Hood and Controls (Drawing 10 of 18)

REF	PART NO.	DESCRIPTION	COMMENTS
1	36401P	Control and Shield Assembly	Model SWT421*A3028
	39820	Control and Shield Assembly	Model SWT421*M3050
2	501524	Screw	
3	37075W	Control Hood	White
	37075L	Control Hood	Almond
	37075Q	Control Hood	Bisque
4	39920	Hood Back Panel	
5	23222	Screw	
6	39923	Lead-In Wire Harness Assembly	
7	39922	Cable Connection Box	
8	39931	Power Cord Assembly	Model SWT421*M3050
	39984	Power Cord Assembly	Model SWT421*A3028
9	M400017	Washer	
10	02916	Screw	
11	52566	Nut	
12	02431	Washer	
13	501086	Screw	
14	23962	Screw	
15	35889P	Pressure Switch	
16	32648	Control Panel Bumper	
	M400795	Bumper	Extra thick
17	39096	Control Panel Overlay	
18	36097W	Control Panel Assembly	White
	36097L	Control Panel Assembly	Almond
	36097Q	Control Panel Assembly	Bisque
19	511021	Shock Warning Label	
20	52864	Screw	Phillips head
	35528	Screw	Torx head; For added security

\* Add Letter To Designate Color. L - Almond Q - Bisque W - White

# Control Hood

Models HWT011\*B3073, HWT111\*B3069, HWT211\*B3020, SWT111\*B3069, SWT211\*A3020 and SWT211\*B3020



W386PZ3A\_39202

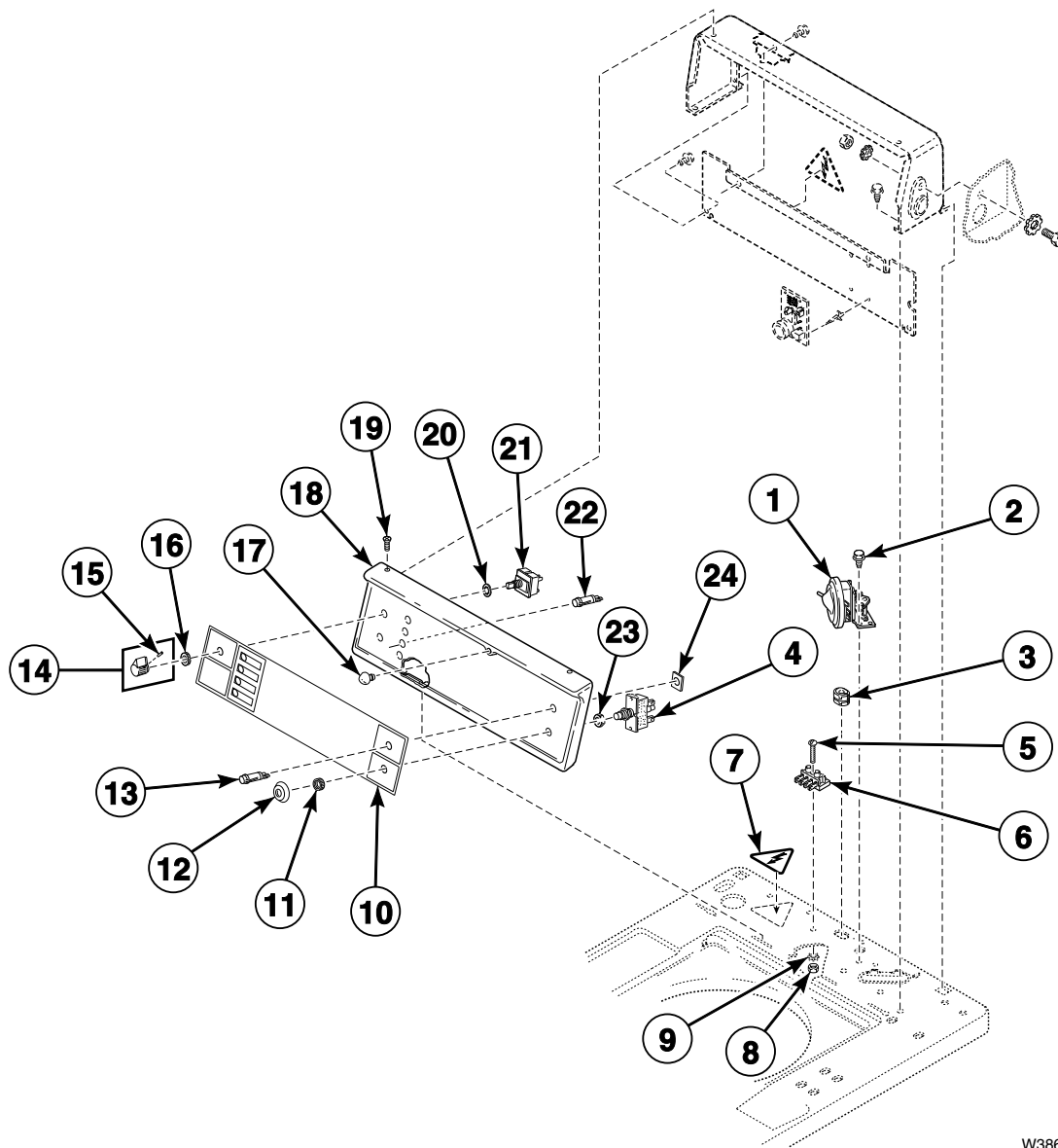
# Control Hood

REF	PART NO.	DESCRIPTION	COMMENTS
1	37075W	Control Hood	White
	37075L	Control Hood	Almond
	37075Q	Control Hood	Bisque
2	23222	Screw	
3	502511	Electrical Shock Label	
4	52566	Nut	
5	02431	Washer	
6	23962	Screw	
7	M400017	Washer	
8	02916	Screw	
9	38267	Hood Back Panel	
10	501523	Circuit Board Support	Models HWT011*B3073, HWT111*B3069 and SWT111*B3069
11	37225P	Control Lid Lock Assembly	Models HWT011*B3073, HWT111*B3069 and SWT111*B3069

\* Add Letter To Designate Color. L - Almond Q - Bisque W - White

# Control Panel and Controls

Models HWT011\*B3073, HWT111\*B3069, HWT211\*B3020, SWT111\*B3069, SWT211\*A3020 and SWT211\*B3020



W386PZ3AA\_39202

## Control Panel and Controls

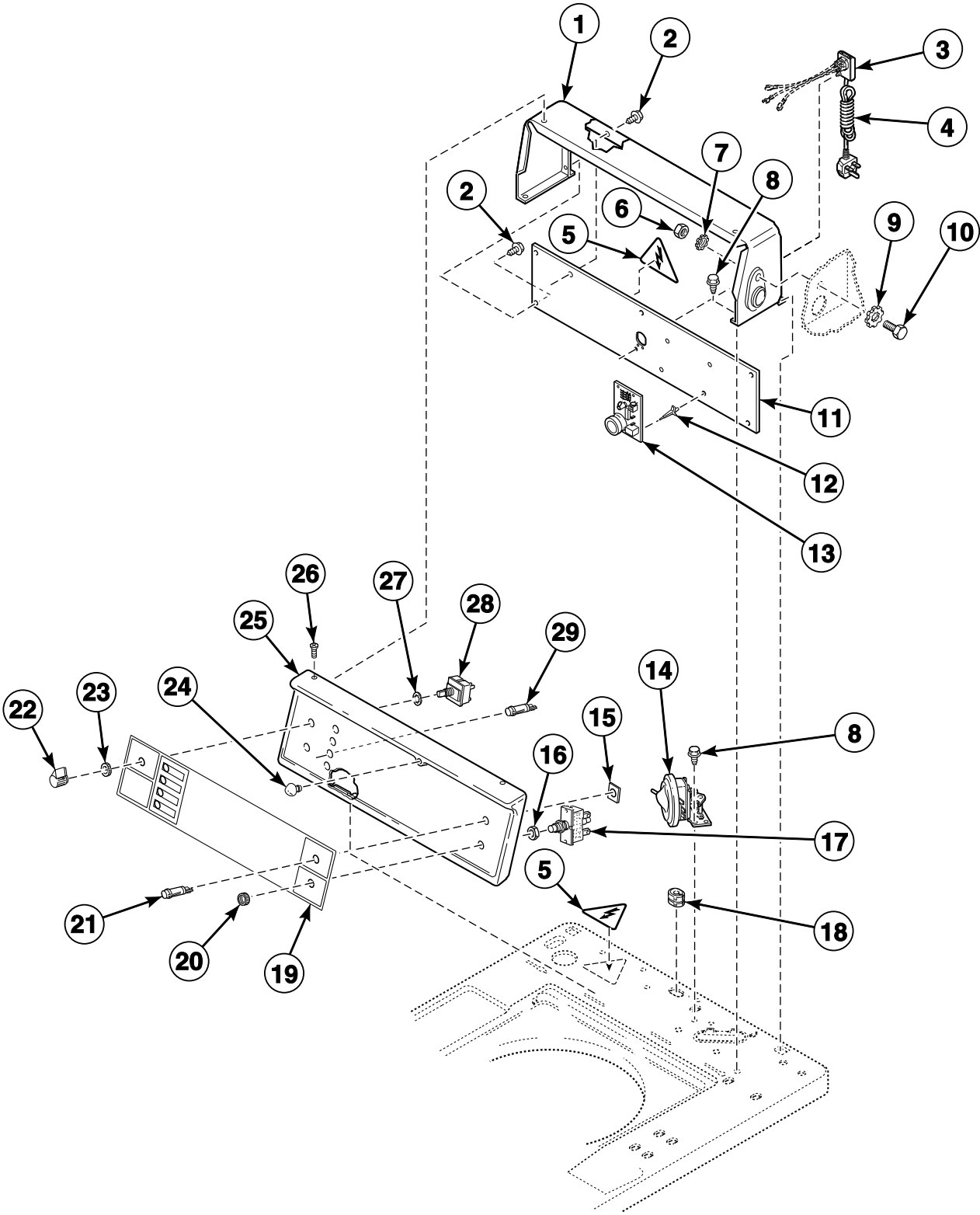
REF	PART NO.	DESCRIPTION	COMMENTS
1	35889P	Pressure Switch	
2	23962	Screw	
3	N/A	Strain Relief	
4	55882	Switch Assembly	Models HWT011*B3073, HWT111*B3069 and SWT111*B3069
5	Q6516	Screw	
6	36841	Terminal Block	
7	502511	Electrical Shock Label	
8	02788	Nut	
9	21734	Washer	
10	N/A	Graphic Overlay	Model HWT111*B3069
	201261	Graphic Overlay	Model SWT111*B3069
	201265	Control Panel Overlay	Models SWT211*A3020 and SWT211*B3020
	N/A	Control Panel Overlay	Model HWT011*B3073
11	N/A	Nut	Models HWT011*B3073, HWT111*B3069 and SWT111*B3069
12	N/A	Switch Collar	Models HWT011*B3073, HWT111*B3069 and SWT111*B3069
13	39536	Lid Switch Indicator Light	Models HWT011*B3073, HWT111*B3069 and SWT111*B3069
14	39897	Switch Knob	
15	N/A	Screw	
16	24205	Nut	
17	32648	Control Panel Bumper	
	M400795	Bumper	Extra thick
18	36521WP	Control Panel and Bracket Assembly	White
	36521LP	Control Panel and Bracket Assembly	Almond
	36521QP	Control Panel and Bracket Assembly	Bisque
19	500226	Screw	Phillips head
	35528	Screw	Torx head; Optional for added security
20	91176	Washer	
21	27761	Switch	
22	32519	Light	Rinse or spin
	38281	Light	In-use
23	52947	Nut	Models HWT011*B3073, HWT111*B3069 and SWT111*B3069
24	34762	Push-On Clip	Models HWT011*B3073, HWT111*B3069 and SWT111*B3069

\* Add Letter To Designate Color. L - Almond Q - Bisque W - White

N/A = Part no longer available

# Control Panel, Control Hood and Controls (Drawing 11 of 18)

Models HWT211\*M3020, SWT111\*M3069 and SWT211\*M3020



TLW1490P\_39202



## Control Panel, Control Hood and Controls (Drawing 11 of 18)

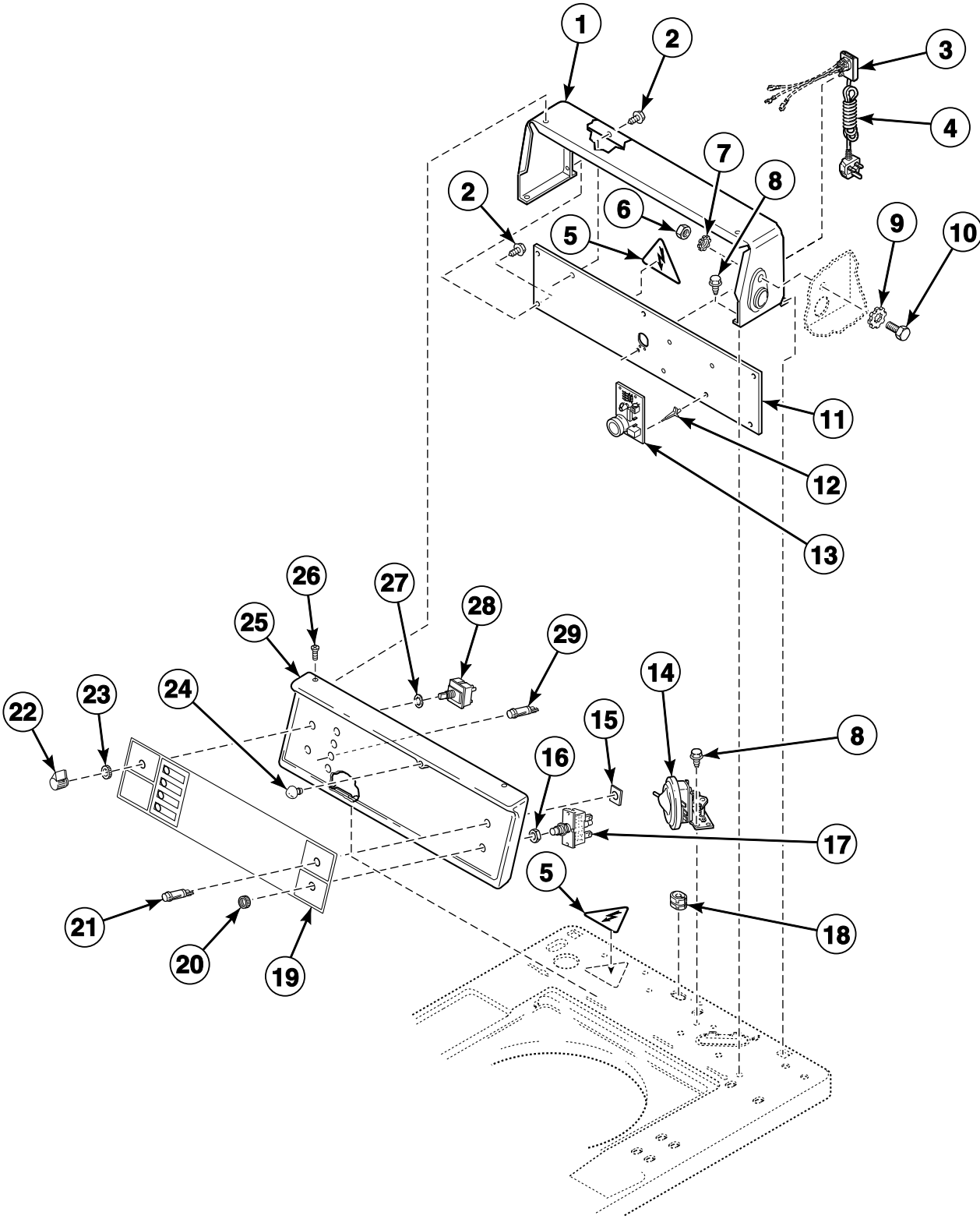
REF	PART NO.	DESCRIPTION	COMMENTS
1	37075W	Control Hood	White
	37075L	Control Hood	Almond
	37075Q	Control Hood	Bisque
2	23222	Screw	
3	39922	Cable Connection Box	Models starting Serial No. 0204008036
4	39925	Power Cord Assembly	Model SWT111*M3069 starting Serial No. 0204008036
	39926	Lead-In Cord	All other models starting Serial No. 0204008036
5	502511	Electrical Shock Label	
6	52566	Nut	
7	02431	Washer	
8	23962	Screw	
9	M400017	Washer	
10	02916	Screw	
11	38267	Hood Back Panel	Models through Serial No. 0204008035
	39920	Hood Back Panel	Models starting Serial No. 0204008036
12	501523	Circuit Board Support	Model SWT111*M3069
13	37225P	Control Lid Lock Assembly	Model SWT111*M3069
14	35889P	Pressure Switch	
15	34762	Push-On Clip	Model SWT111*M3069
16	52947	Nut	Model SWT111*M3069
17	55882	Switch Assembly	Model SWT111*M3069
18	N/A	Strain Relief	
19	201261	Graphic Overlay	Model SWT111*M3069
	201265	Control Panel Overlay	Model SWT211*M3020
	201268	Control Panel Overlay	Model HWT211*M3020
20	N/A	Nut	Model SWT111*M3069
21	39536	Lid Switch Indicator Light	Model SWT111*M3069
22	39897	Switch Knob	
23	24205	Nut	
24	32648	Control Panel Bumper	
	M400795	Bumper	Extra thick
25	36521WP	Control Panel and Bracket Assembly	White
	36521LP	Control Panel and Bracket Assembly	Almond
	36521QP	Control Panel and Bracket Assembly	Bisque
26	500226	Screw	Phillips head
	35528	Screw	Torx head; Optional for added security
27	91176	Washer	
28	27761	Switch	
29	32519	Light	Rinse or spin
	38281	Light	In-use

\* Add Letter To Designate Color. L - Almond Q - Bisque W - White

N/A = Part no longer available

# Control Panel, Control Hood and Controls (Drawing 12 of 18)

Models HWT211\*N3020, SWT111\*N3069 and SWT211\*N3020



TLW1490P\_39202

## Control Panel, Control Hood and Controls (Drawing 12 of 18)

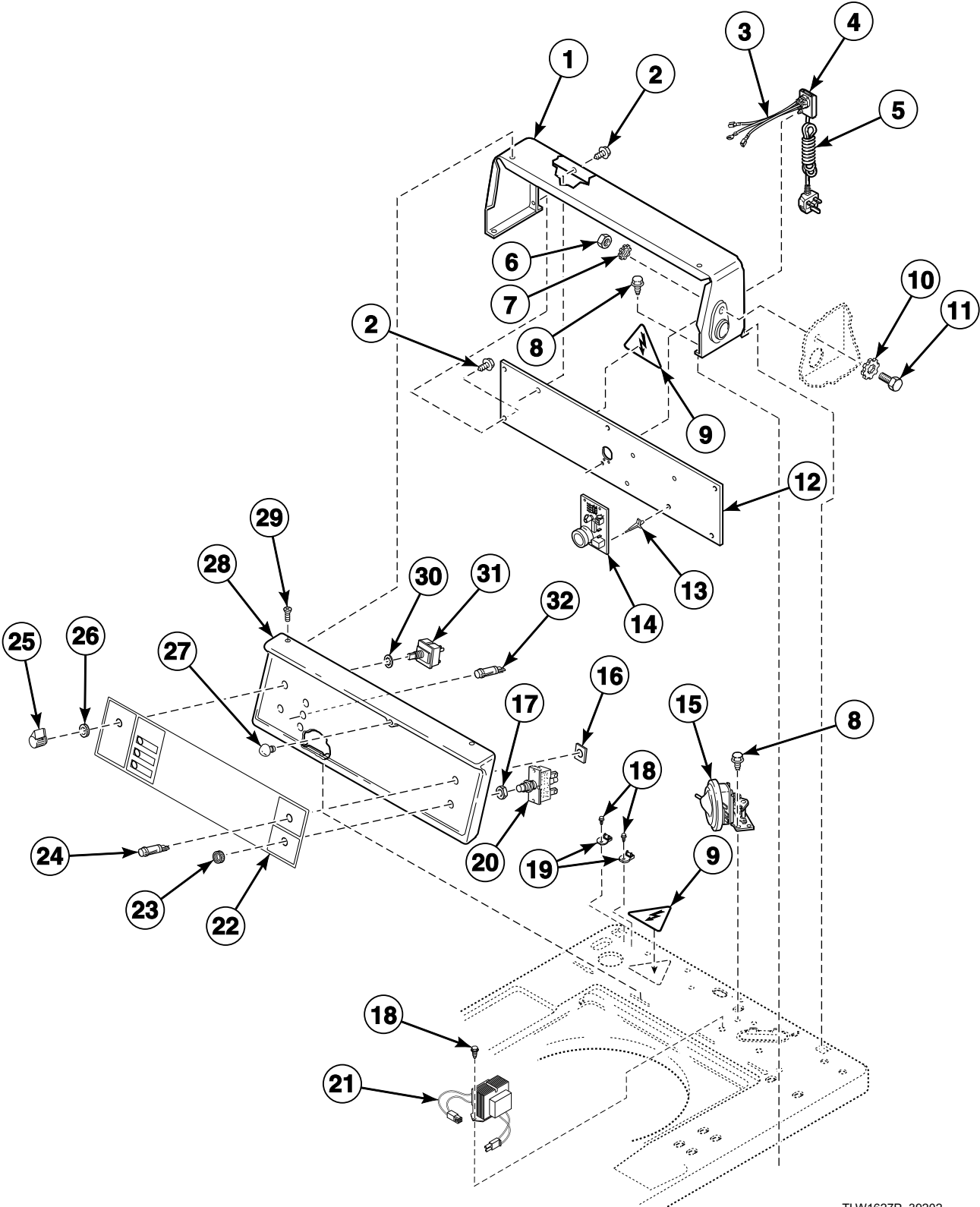
REF	PART NO.	DESCRIPTION	COMMENTS
1	37075W	Control Hood	White
	37075L	Control Hood	Almond
	37075Q	Control Hood	Bisque
2	23222	Screw	
3	39922	Cable Connection Box	
4	39925	Power Cord Assembly	Model SWT111*N3069
	39926	Lead-In Cord	All other models
5	502511	Electrical Shock Label	
6	52566	Nut	
7	02431	Washer	
8	23962	Screw	
9	M400017	Washer	
10	02916	Screw	
11	39920	Hood Back Panel	
12	501523	Circuit Board Support	Model SWT111*N3069
13	37225P	Control Lid Lock Assembly	Model SWT111*N3069
14	35889P	Pressure Switch	
15	34762	Push-On Clip	Model SWT111*N3069
16	52947	Nut	Model SWT111*N3069
17	55882	Switch Assembly	Model SWT111*N3069
18	N/A	Strain Relief	
19	201261	Graphic Overlay	Model SWT111*N3069
	201265	Control Panel Overlay	Model SWT211*N3020
	201268	Control Panel Overlay	Model HWT211*N3020
20	N/A	Nut	Model SWT111*N3069
21	39536	Lid Switch Indicator Light	Model SWT111*N3069
22	39897	Switch Knob	
23	24205	Nut	
24	32648	Control Panel Bumper	
	M400795	Bumper	Extra thick
25	36521WP	Control Panel and Bracket Assembly	White
	36521LP	Control Panel and Bracket Assembly	Almond
	36521QP	Control Panel and Bracket Assembly	Bisque
26	500226	Screw	Phillips head
	35528	Screw	Torx head; Optional for added security
27	91176	Washer	
28	27761	Switch	
29	32519	Light	Rinse or spin
	38281	Light	In-use

\* Add Letter To Designate Color. L - Almond Q - Bisque W - White

N/A = Part no longer available

# Control Panel, Control Hood and Controls (Drawing 13 of 18)

Models HWNSX1SP301UW09, JWT910\*N3069 and SWT911\*N3069



TLW1627P\_39202

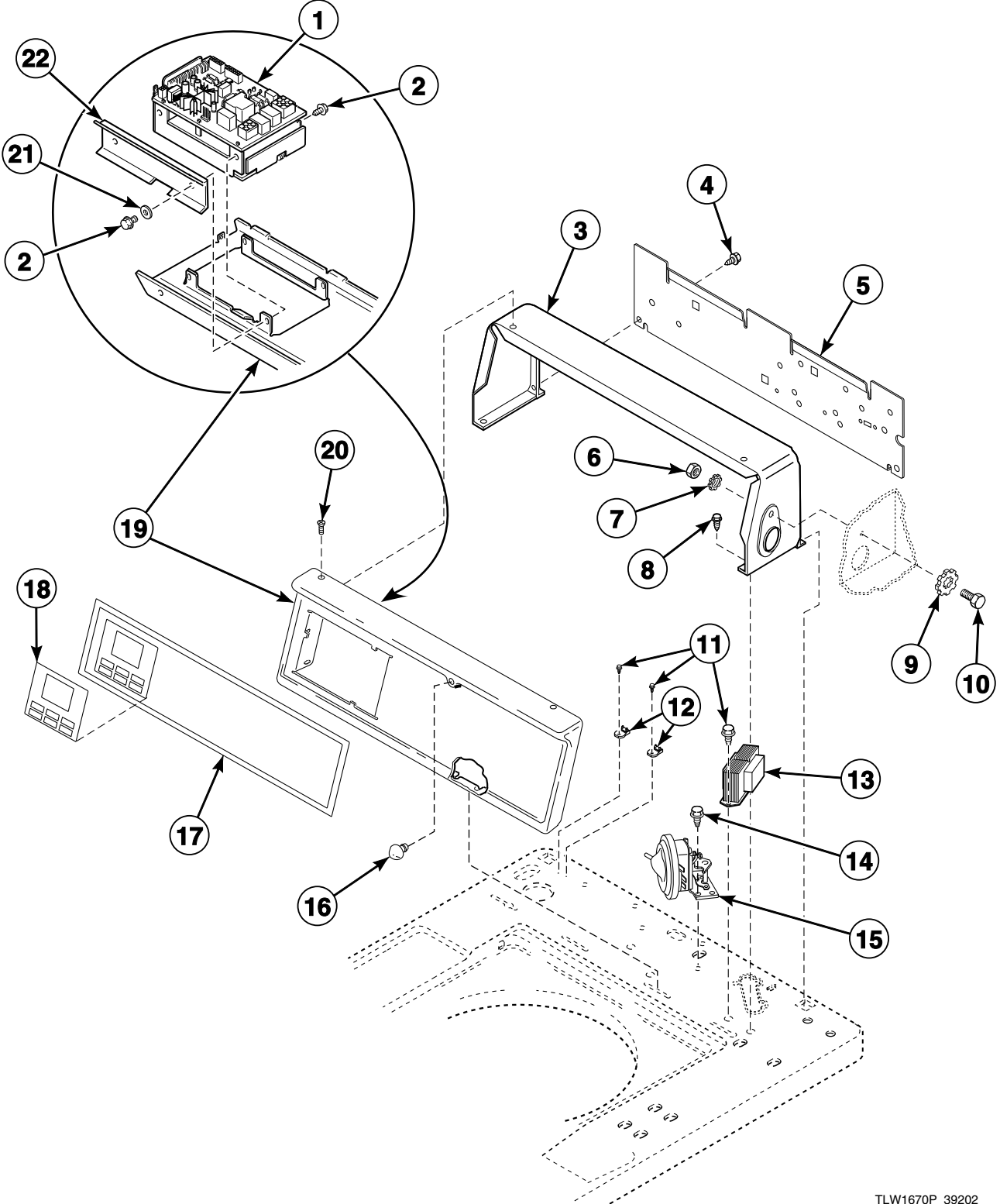
## Control Panel, Control Hood and Controls (Drawing 13 of 18)

REF	PART NO.	DESCRIPTION	COMMENTS
1	37075W	Control Hood	White
	37075L	Control Hood	Almond
	37075Q	Control Hood	Bisque
2	23222	Screw	
3	201405P	Lead-In Wire Harness Assembly	Model HWNSX1SP301UW09
4	39922	Cable Connection Box	
5	39925	Power Cord Assembly	Models JWT910*N3069 and SWT911*N3069
	39926	Lead-In Cord	Model HWNSX1SP301UW09
6	52566	Nut	
7	02431	Washer	
8	23962	Screw	
9	502511	Electrical Shock Label	
10	M400017	Washer	
11	02916	Screw	
12	39920	Hood Back Panel	
13	501523	Circuit Board Support	
14	37225P	Control Lid Lock Assembly	
15	35889P	Pressure Switch	
16	34762	Push-On Clip	
17	52947	Nut	
18	503661	Screw	
19	210100	Resistor	
20	55882	Switch Assembly	
21	201616P	Transformer	
22	201673	Control Overlay	Model SWT911*N3069
	202022	Control Overlay	Model JWT910*N3069
	202408	Control Overlay	Model HWNSX1SP301UW09
23	52947	Nut	
24	39536	Lid Switch Indicator Light	
25	39897	Switch Knob	
26	24205	Nut	
27	32648	Control Panel Bumper	
	M400795	Bumper	Extra thick
28	36521WP	Control Panel and Bracket Assembly	White
	36521QP	Control Panel and Bracket Assembly	Bisque
29	500226	Screw	Phillips head
	35528	Screw	Torx head; Optional for added security
30	91176	Washer	
31	201686	Cycle Selector Switch	
32	801431	Light	

\* Add Letter To Designate Color. L - Almond Q - Bisque W - White

# Control Panel, Control Hood and Controls (Drawing 14 of 18)

Models HWTB21\*M1102, HWTB21\*N1102, HWTR21\*N1102, HWTT21\*N1102, HWTX21\*M3022, HWTX21\*N1102, HWTX21\*N3022, HWTZ21\*M1102, HWTZ21\*N1102, NWNBX2SP301NW22, SWTA21\*M3022, SWTX21\*M3000, SWTX21\*M3022, SWTX21\*N1127, SWTX21\*N3000 and SWTX21\*N3022



TLW1670P\_39202

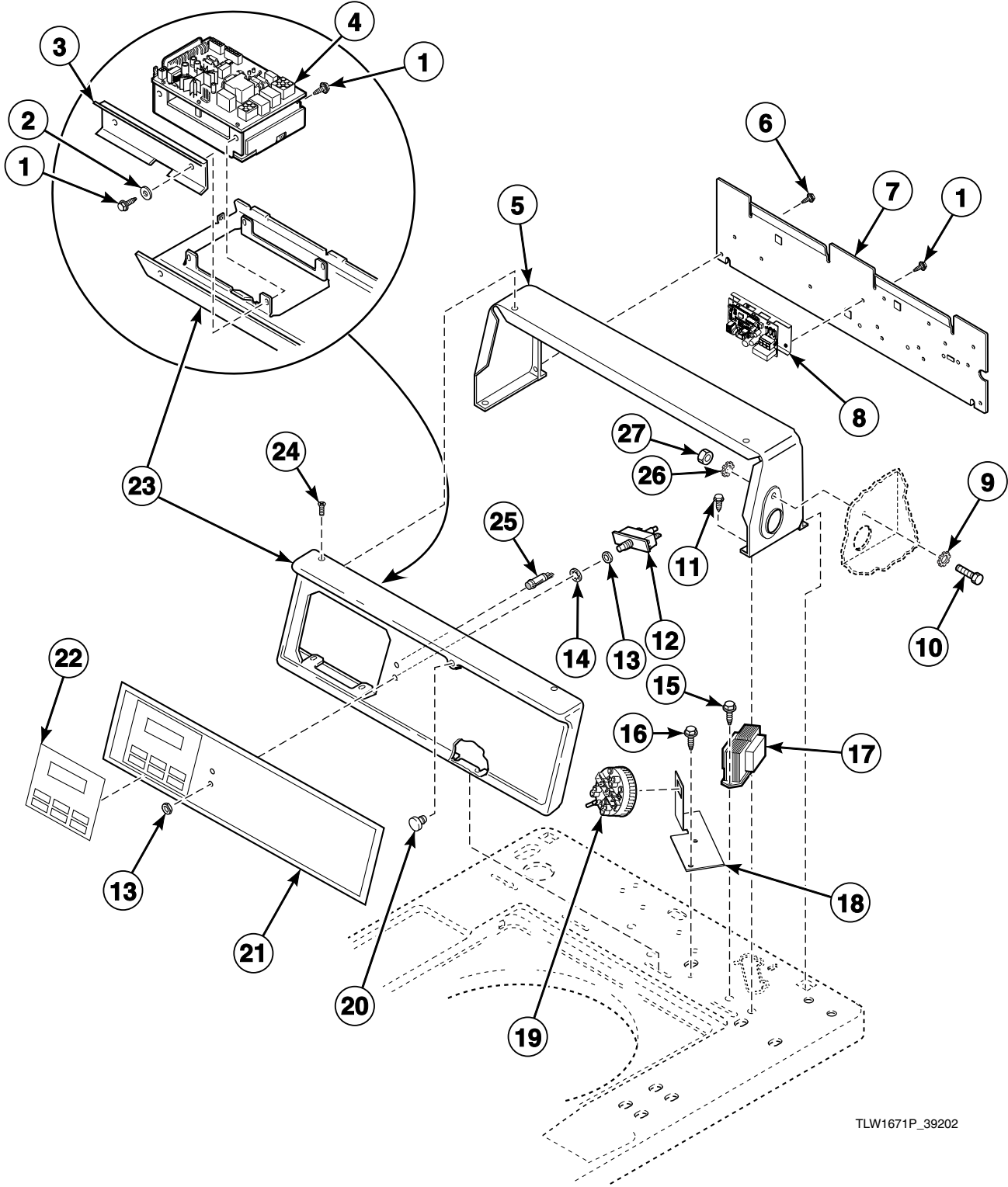
## Control Panel, Control Hood and Controls (Drawing 14 of 18)

REF	PART NO.	DESCRIPTION	COMMENTS
1	200641P	Control Kit	Models HWTB21*M1102, HWTB21*N1102 and SWTA21*M3022
	201567P	Control Assembly	All other models
2	501524	Screw	
3	37075W	Control Hood	White
	37075L	Control Hood	Almond
	37075Q	Control Hood	Bisque
4	23222	Screw	
5	39920	Hood Back Panel	Models HWTX21*M3022 and HWTX21*N3022
	38267	Hood Back Panel	All other models
6	52566	Nut	
7	02431	Washer	
8	501086	Screw	
9	M400017	Washer	
10	02916	Screw	
11	503661	Screw	
12	210100	Resistor	Models HWTX21*M3022, HWTX21*N3022, NWNBX2SP301NW22, SWTA21*M3022, SWTX21*M3000, SWTX21*M3022, SWTX21*N3000 and SWTX21*N3022
13	210018P	Transformer	Models HWTB21*M1102, HWTB21*N1102, HWTT21*N1102, HWTZ21*M1102 and HWTZ21*N1102
	803527P	Transformer	Models HWTX21*M3022, HWTX21*N3022, NWNBX2SP301NW22, SWTA21*M3022, SWTX21*M3000, SWTX21*M3022, SWTX21*N3000 and SWTX21*N3022; Model HWTX21*N1102 through Serial No. 0408008368
	201375P	Transformer	Model HWTX21*N1102 starting Serial No. 0408008369; Models HWTR21*N1102 and SWTX21*N1127; Use for models HWTB21*M1102, HWTB21*N1102, HWTT21*N1102, HWTZ21*M1102 and HWTZ21*N1102 if installing an electronic coin drop.
14	23962	Screw	
15	35889P	Pressure Switch	
16	32648	Control Panel Bumper	
	M400795	Bumper	Extra thick
17	210138	Control Panel Overlay	Models HWTB21*M1102 and HWTB21*N1102
	210038	Control Panel Overlay	Model SWTA21*M3022
	200918	Overlay	Models SWTX21*M3000, SWTX21*M3022, SWTX21*N1127, SWTX21*N3000 and SWTX21*N3022
	200919	Overlay	Models HWTR21*N1102, HWTT21*N1102, HWTX21*M3022, HWTX21*N1102, HWTX21*N3022, HWTZ21*M1102 and HWTZ21*N1102
	202174	Overlay	Model NWNBX2SP301NW22
18	202310	Overlay	French/English; Models HWTR21*N1102, HWTT21*N1102, HWTX21*N1102, HWTZ21*M1102 and HWTZ21*N1102
19	210042W	Control Panel Assembly	White
	210042L	Control Panel Assembly	Almond
	210042Q	Control Panel Assembly	Bisque
20	52864	Screw	
21	200608	Washer	
22	210053	Control Shield	

\* Add Letter To Designate Color. L - Almond Q - Bisque W - White

# Control Panel, Control Hood and Controls (Drawing 15 of 18)

Model HWLX21\*N1102



TLW1671P\_39202



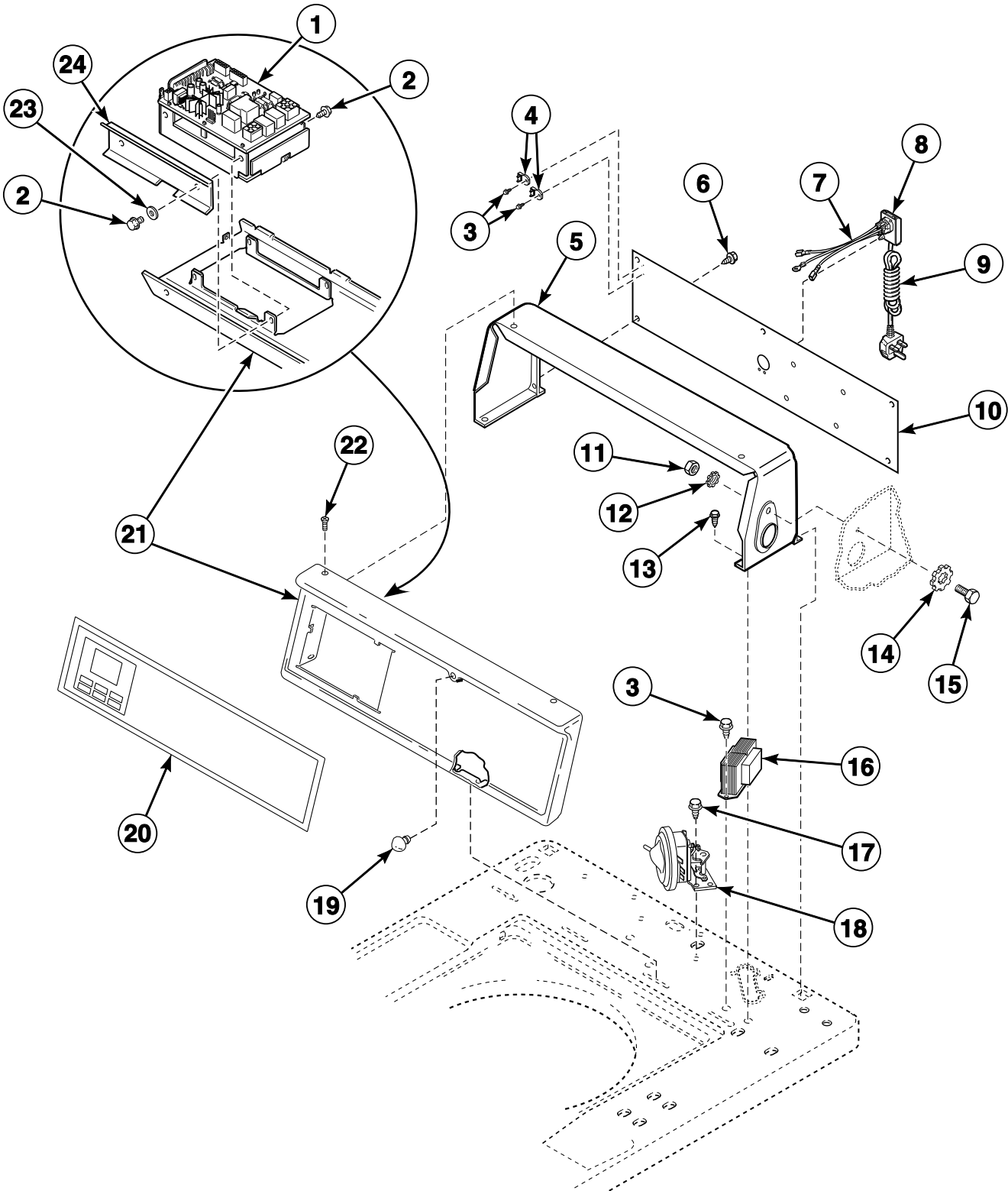
## Control Panel, Control Hood and Controls (Drawing 15 of 18)

REF	PART NO.	DESCRIPTION	COMMENTS
1	501524	Screw	
2	200608	Washer	
3	210053	Control Shield	
4	202025P	Control Assembly	
5	37075W	Control Hood	White
	37075Q	Control Hood	Bisque
6	23222	Screw	
7	38267	Hood Back Panel	
8	201755P	Control Assembly	
9	M400017	Washer	
10	02916	Screw	
11	501086	Screw	
12	55882	Switch Assembly	
13	52947	Nut	
14	25820	Washer	
15	503661	Screw	
16	23962	Screw	
17	201375P	Transformer	
18	201789	Pressure Switch Bracket	
19	201997P	Pressure Switch	
20	32648	Control Panel Bumper	
	M400795	Bumper	Extra thick
21	201981	Control Panel Overlay	
22	202310	Overlay	French/English
23	201798W	Control Panel Assembly	White
	201798Q	Control Panel Assembly	Bisque
24	52864	Screw	Phillips head
	35528	Screw	Torx head
25	801431	Light	
26	02431	Washer	
27	52566	Nut	

\* Add Letter To Designate Color. Q - Bisque W - White

# Control Panel, Control Hood and Controls (Drawing 16 of 18)

Models SWTA21\*M3050, SWTA21\*N3050, SWTX21\*M3050 and SWTX21\*N3050



TLW1629P\_39202

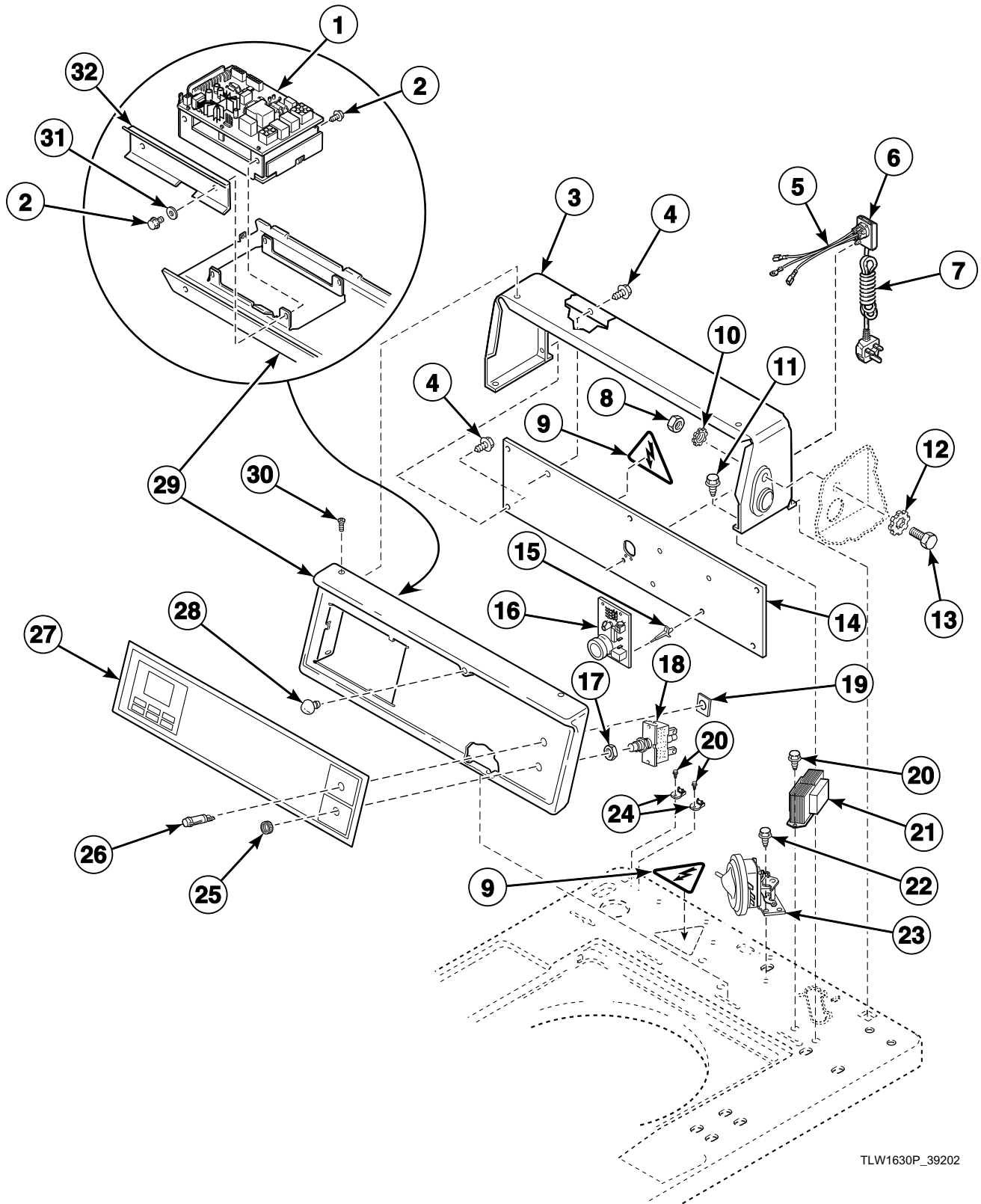
## Control Panel, Control Hood and Controls (Drawing 16 of 18)

REF	PART NO.	DESCRIPTION	COMMENTS
1	200641P	Control Kit	Models SWTA21*M3050 and SWTA21*N3050
	201567P	Control Assembly	Models SWTX21*M3050 and SWTX21*N3050
2	501524	Screw	
3	503661	Screw	
4	210100	Resistor	
5	37075W	Control Hood	White
	37075L	Control Hood	Almond
	37075Q	Control Hood	Bisque
6	23222	Screw	
7	39923	Lead-In Wire Harness Assembly	
8	39922	Cable Connection Box	
9	39931	Power Cord Assembly	
10	39920	Hood Back Panel	
11	52566	Nut	
12	02431	Washer	
13	501086	Screw	
14	M400017	Washer	
15	02916	Screw	
16	803527P	Transformer	
17	23962	Screw	
18	35889P	Pressure Switch	
19	32648	Control Panel Bumper	
	M400795	Bumper	Extra thick
20	210038	Control Panel Overlay	Models SWTA21*M3050 and SWTA21*N3050
	200918	Overlay	Models SWTX21*M3050 and SWTX21*N3050
21	210042W	Control Panel Assembly	White
	210042L	Control Panel Assembly	Almond
	210042Q	Control Panel Assembly	Bisque
22	52864	Screw	
23	200608	Washer	
24	210053	Control Shield	

\* Add Letter To Designate Color. L - Almond Q - Bisque W - White

# Control Panel, Control Hood and Controls (Drawing 17 of 18)

Models HWTX21\*M3020, HWTX21\*N3020, SWTX21\*M3020, SWTX21\*M3069, SWTX21\*N3020 and SWTX21\*N3069



TLW1630P\_39202

## Control Panel, Control Hood and Controls (Drawing 17 of 18)

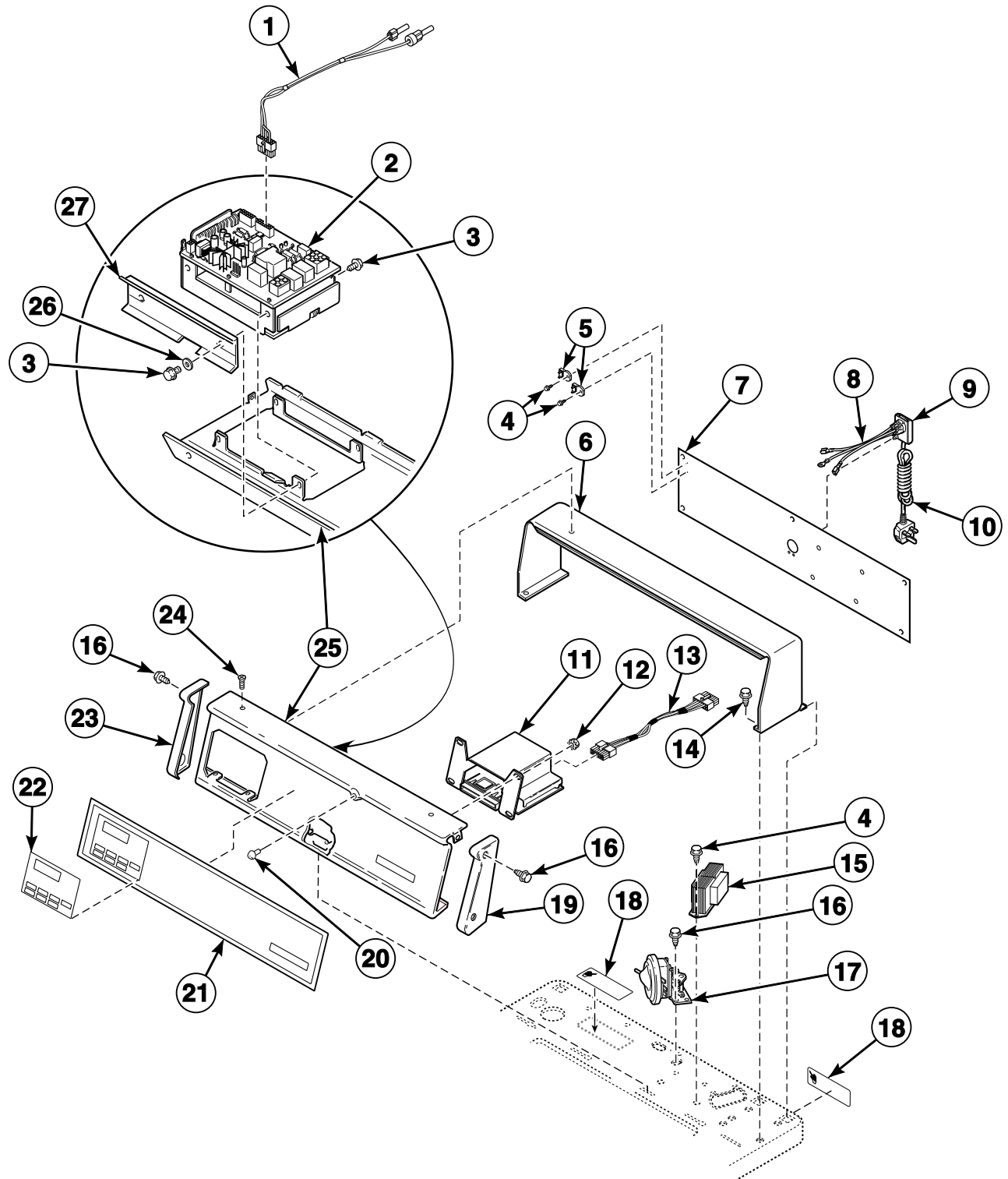
REF	PART NO.	DESCRIPTION	COMMENTS
1	201567P	Control Assembly	
2	501524	Screw	
3	37075W	Control Hood	White
	37075L	Control Hood	Almond
	37075Q	Control Hood	Bisque
4	23222	Screw	
5	39923	Lead-In Wire Harness Assembly	Models HWTX21*M3020, HWTX21*N3020, SWTX21*M3020 and SWTX21*N3020
6	39922	Cable Connection Box	
7	39925	Power Cord Assembly	Models SWTX21*M3069 and SWTX21*N3069
	39926	Lead-In Cord	All other models
8	52566	Nut	
9	502511	Electrical Shock Label	
10	02431	Washer	
11	501086	Screw	
12	M400017	Washer	
13	02916	Screw	
14	39920	Hood Back Panel	
15	501523	Circuit Board Support	Models SWTX21*M3069 and SWTX21*N3069
16	37225P	Control Lid Lock Assembly	Models SWTX21*M3069 and SWTX21*N3069
17	52947	Nut	Models SWTX21*M3069 and SWTX21*N3069
18	55882	Switch Assembly	Models SWTX21*M3069 and SWTX21*N3069
19	34762	Push-On Clip	Models SWTX21*M3069 and SWTX21*N3069
20	503661	Screw	
21	803527P	Transformer	
22	23962	Screw	
23	35889P	Pressure Switch	
24	210100	Resistor	
25	N/A	Nut	Models SWTX21*M3069 and SWTX21*N3069
26	39536	Lid Switch Indicator Light	Models SWTX21*M3069 and SWTX21*N3069
27	200984	Overlay	Models SWTX21*M3020 and SWTX21*N3020
	N/A	Overlay	Models SWTX21*M3069 and SWTX21*N3069
	N/A	Overlay	Models HWTX21*M3020 and HWTX21*N3020
28	32648	Control Panel Bumper	
	M400795	Bumper	Extra thick
29	201017W	Control Panel	White; Models SWTX21*M3069 and SWTX21*N3069
	201017L	Control Panel	Almond; Models SWTX21*M3069 and SWTX21*N3069
	201017Q	Control Panel	Bisque; Models SWTX21*M3069 and SWTX21*N3069
	210042W	Control Panel Assembly	White; Models HWTX21*M3020, HWTX21*N3020, SWTX21*M3020 and SWTX21*N3020
	210042L	Control Panel Assembly	Almond; Models HWTX21*M3020, HWTX21*N3020, SWTX21*M3020 and SWTX21*N3020
	210042Q	Control Panel Assembly	Bisque; Models HWTX21*M3020, HWTX21*N3020, SWTX21*M3020 and SWTX21*N3020
30	52864	Screw	
31	200608	Washer	
32	210053	Control Shield	

\* Add Letter To Designate Color. L - Almond Q - Bisque W - White

N/A = Part no longer available

# Control Panel, Control Hood and Controls (Drawing 18 of 18)

Models HWTF21\*M1102, HWTF21\*N1102, HWTY21\*M1102, HWTY21\*N1102, SWTF21\*M3050 and SWTF21\*N3050



TLW1672P\_39202

## Control Panel, Control Hood and Controls (Drawing 18 of 18)

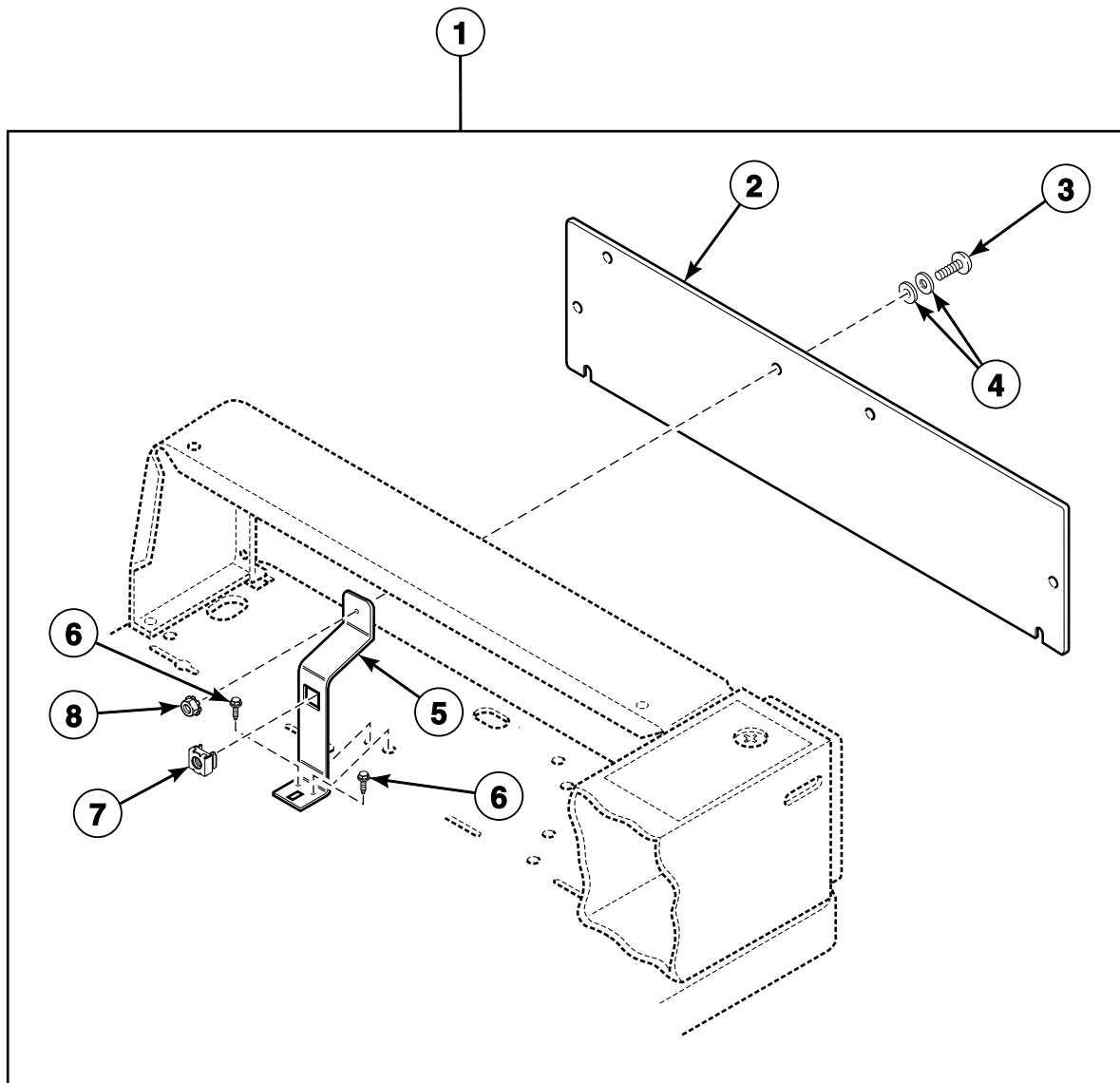
REF	PART NO.	DESCRIPTION	COMMENTS
1	800680	Diagnostic Wire Harness Assembly	
2	201567P	Control Assembly	Models HWTY21*M1102 and HWTY21*N1102
	200641P	Control Kit	All other models
3	501524	Screw	
4	503661	Screw	
5	210100	Resistor	Models SWTF21*M3050 and SWTF21*N3050
6	210142W	Control Hood	White
	210142L	Control Hood	Almond
7	210143	Rear Panel	Models HWTF21*M1102 and HWTF21*N1102
	N/A	Hood Rear Panel	Models SWTF21*M3050 and SWTF21*N3050
8	39923	Lead-In Wire Harness Assembly	Models SWTF21*M3050 and SWTF21*N3050
9	39922	Cable Connection Box	Models SWTF21*M3050 and SWTF21*N3050
10	39931	Power Cord Assembly	Models SWTF21*M3050 and SWTF21*N3050
11	210045P	Card Reader Assembly	Models HWTF21*M1102, HWTF21*N1102, SWTF21*M3050 and SWTF21*N3050
12	70054	Nut	
13	800125P	Card Reader Wire Harness Assembly	Models HWTF21*M1102, HWTF21*N1102, SWTF21*M3050 and SWTF21*N3050
14	501086	Screw	
15	210018P	Transformer	Models HWTF21*M1102 and HWTF21*N1102
	803527P	Transformer	Models HWTY21*M1102, SWTF21*M3050 and SWTF21*N3050; Model HWTY21*N1102 through Serial No. 0408008368
	201375P	Transformer	Model HWTY21*N1102 starting Serial No. 0408008369
16	501086	Screw	
17	35889P	Pressure Switch	
18	500316	Warning Label	
19	210108W	End Cap	Right
20	32648	Control Panel Bumper	
	M400795	Bumper	Extra thick
21	210139	Control Panel Overlay	Model HWTF21*M1102
	210069	Control Panel Overlay	Models SWTF21*M3050 and SWTF21*N3050
	201007	Control Panel Overlay	Models HWTY21*M1102 and HWTY21*N1102
22	202310	Overlay	French/English; Models HWTY21*M1102 and HWTY21*N1102
23	210109W	End Cap	Left
24	52864	Screw	
25	210137W	Control Panel Assembly	White
	210137L	Control Panel Assembly	Almond
	N/A	Control Panel Assembly	Bisque
26	200608	Washer	
27	210053	Control Shield	

\* Add Letter To Designate Color. L - Almond Q - Bisque W - White

N/A = Part no longer available

# Control Hood Security Kit

Models HWLX21\*N1102, HWTB21\*M1102, HWTB21\*N1102, HWTR21\*N1102, HWTT21\*N1102, HWTX21\*M3022, HWTX21\*N1102, HWTX21\*N3022, HWTZ21\*M1102, HWTZ21\*N1102, NWNBX2SP301NW22, SWTA21\*M3022, SWTX21\*M3000, SWTX21\*M3022, SWTX21\*N1127, SWTX21\*N3000 and SWTX21\*N3022



FLW963P\_39202



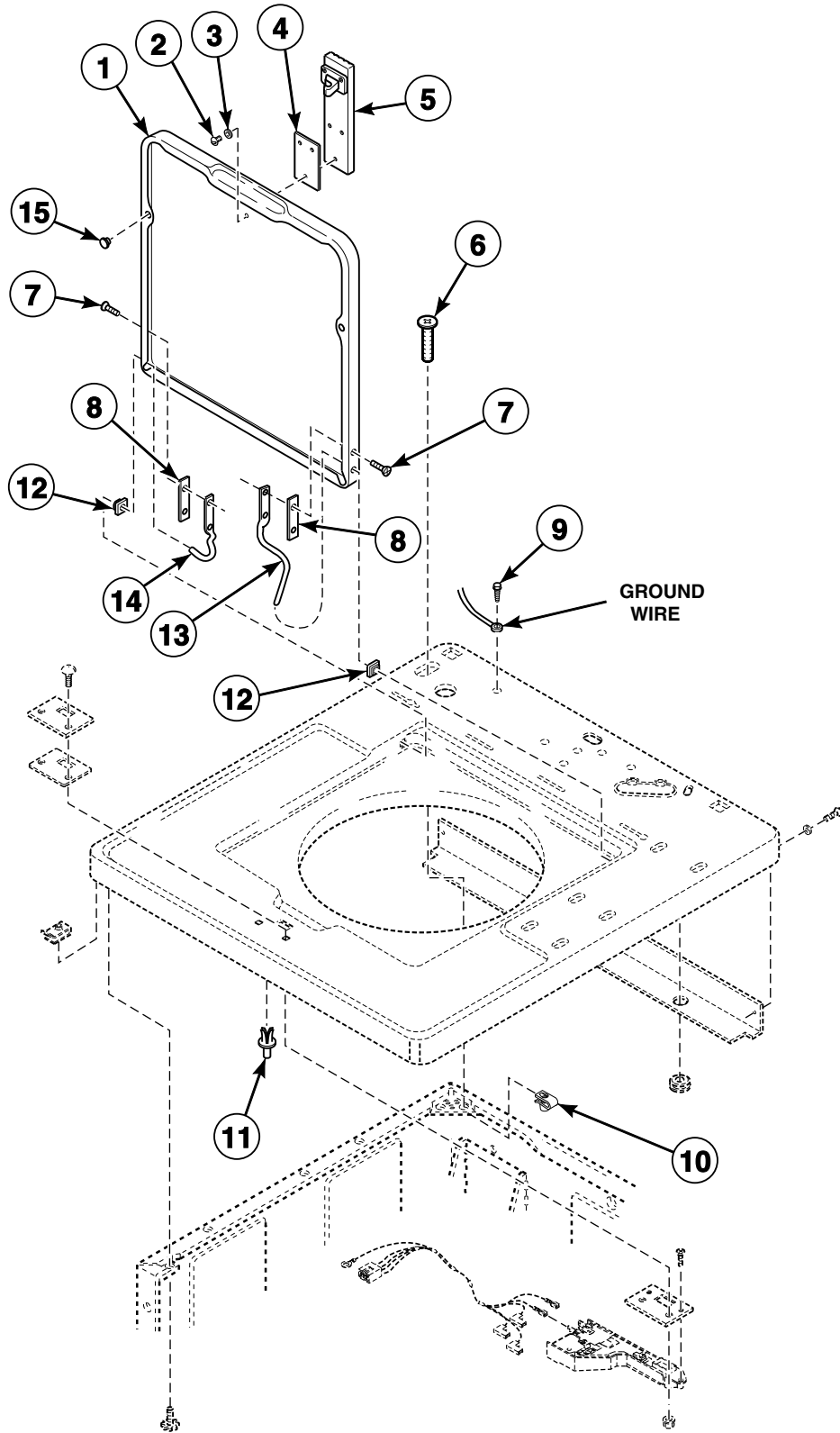
# Control Hood Security Kit

REF	PART NO.	DESCRIPTION	COMMENTS
1	904P3	Security Kit	Includes items 2-8
2	201919	Rear Panel	
3	32184	Bolt	
4	25100	Washer	
5	201918	Bracket	
6	503688	Screw	
7	30647	Nut	
8	23951	Nut	

\* Add Letter To Designate Color. L - Almond Q - Bisque W - White

# Lid and Lid Lock

Models HWNSX1SP301UW09, HWT011\*B3073, HWT111\*B3069, HWT211\*B3020, HWT211\*M3020, HWT211\*N3020, HWT911\*N3020, HWTX21\*M3020, HWTX21\*N3020, JWT810\*N3020, JWT910\*N3020, JWT910\*N3069, SWT111\*B3069, SWT111\*M3069, SWT111\*N3069, SWT211\*A3020, SWT211\*B3020, SWT211\*M3020, SWT211\*N3020, SWT911\*N3020, SWT911\*N3069, SWTX21\*M3020, SWTX21\*M3069, SWTX21\*N3020 and SWTX21\*N3069



TLW1551P\_39202

# Lid and Lid Lock

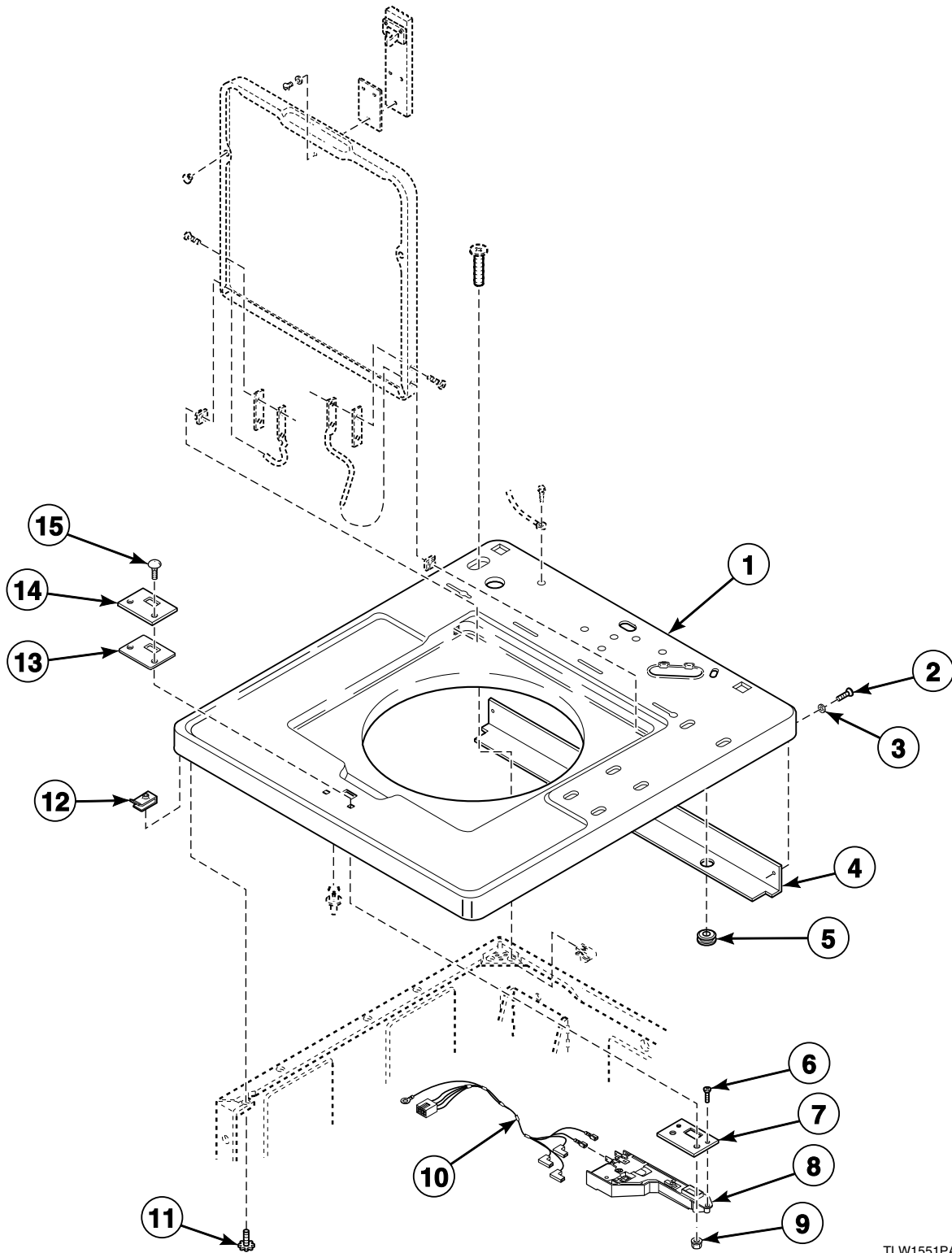
REF	PART NO.	DESCRIPTION	COMMENTS
	837P3	Lid Lock Kit	Includes item 5, 201310 Lid Lock and 201353 Screw; Models HWNSX1SP301UW09, HWT011*B3073, HWT111*B3069, JWT910*N3069, SWT111*B3069, SWT111*M3069, SWT111*N3069, SWT911*N3069, SWTX21*M3069 and SWTX21*N3069
1	200891W	Lid	White; Models HWT911*N3020, HWTX21*M3020, HWTX21*N3020, JWT810*N3020, JWT910*N3020, SWT911*N3020, SWTX21*M3020 and SWTX21*N3020
	200891L	Lid	Almond; Models HWT911*N3020, HWTX21*M3020, HWTX21*N3020, JWT810*N3020, JWT910*N3020, SWT911*N3020, SWTX21*M3020 and SWTX21*N3020
	200891Q	Lid	Bisque; Models HWT911*N3020, HWTX21*M3020, HWTX21*N3020, JWT810*N3020, JWT910*N3020, SWT911*N3020, SWTX21*M3020 and SWTX21*N3020
	200892WP	Lid	White; Models HWNSX1SP301UW09, HWT011*B3073, HWT111*B3069, JWT910*N3069, SWT111*B3069, SWT111*M3069, SWT111*N3069, SWT911*N3069, SWTX21*M3069 and SWTX21*N3069
	200892LP	Lid	Almond; Models HWNSX1SP301UW09, HWT011*B3073, HWT111*B3069, JWT910*N3069, SWT111*B3069, SWT111*M3069, SWT111*N3069, SWT911*N3069, SWTX21*M3069 and SWTX21*N3069
	200892QP	Lid	Bisque; Models HWNSX1SP301UW09, HWT011*B3073, HWT111*B3069, JWT910*N3069, SWT111*B3069, SWT111*M3069, SWT111*N3069, SWT911*N3069, SWTX21*M3069 and SWTX21*N3069
	201460WP	Lid	White; Models HWT211*B3020, HWT211*M3020, HWT211*N3020, SWT211*A3020, SWT211*B3020, SWT211*M3020 and SWT211*N3020
	201460LP	Lid and Carton Assembly	Almond; Models HWT211*B3020, HWT211*M3020, HWT211*N3020, SWT211*A3020, SWT211*B3020, SWT211*M3020 and SWT211*N3020
	201460QP	Lid and Carton Assembly	Bisque; Models HWT211*B3020, HWT211*M3020, HWT211*N3020, SWT211*A3020, SWT211*B3020, SWT211*M3020 and SWT211*N3020
2	Q6695	Screw	Use with old latch; Models HWT011*B3073, HWT111*B3069, SWT111*B3069, SWT111*M3069, SWT111*N3069, SWTX21*M3069 and SWTX21*N3069
3	N/A	Washer	Use with old latch; Models HWT011*B3073, HWT111*B3069, SWT111*B3069, SWT111*M3069, SWT111*N3069, SWTX21*M3069 and SWTX21*N3069
4	N/A	Door Latch Gasket	Use with old latch; Models HWT011*B3073, HWT111*B3069, SWT111*B3069, SWT111*M3069, SWT111*N3069, SWTX21*M3069 and SWTX21*N3069
	201414	Door Lock Spacer	Models HWNSX1SP301UW09, HWT011*B3073, HWT111*B3069, JWT910*N3069, SWT111*B3069, SWT111*M3069, SWT111*N3069, SWT911*N3069, SWTX21*M3069 and SWTX21*N3069
5	201307P	Lid Lock Catch Assembly	Includes item 4 and attaching hardware; Models HWNSX1SP301UW09, HWT011*B3073, HWT111*B3069, JWT910*N3069, SWT111*B3069, SWT111*M3069, SWT111*N3069, SWT911*N3069, SWTX21*M3069 and SWTX21*N3069
6	503673	Screw	Optional; For added security
7	34337	Screw	
8	34338	Hinge Gasket	
9	52909	Screw	
10	27222	Nut	Optional; For added security
11	56534	Support Barrel	
12	33446	Bushing	
13	36437	Lid Hinge	Right
14	36438	Lid Hinge	Left
15	21685	Bumper	

\* Add Letter To Designate Color. L - Almond Q - Bisque W - White

N/A = Part no longer available

# Top Assembly and Shield

Models HWNSX1SP301UW09, HWT011\*B3073, HWT111\*B3069, HWT211\*B3020, HWT211\*M3020, HWT211\*N3020, HWT911\*N3020, HWTX21\*M3020, HWTX21\*N3020, JWT810\*N3020, JWT910\*N3020, JWT910\*N3069, SWT111\*B3069, SWT111\*M3069, SWT111\*N3069, SWT211\*A3020, SWT211\*B3020, SWT211\*M3020, SWT211\*N3020, SWT911\*N3020, SWT911\*N3069, SWTX21\*M3020, SWTX21\*M3069, SWTX21\*N3020 and SWTX21\*N3069



TLW1551PA\_39202

# Top Assembly and Shield

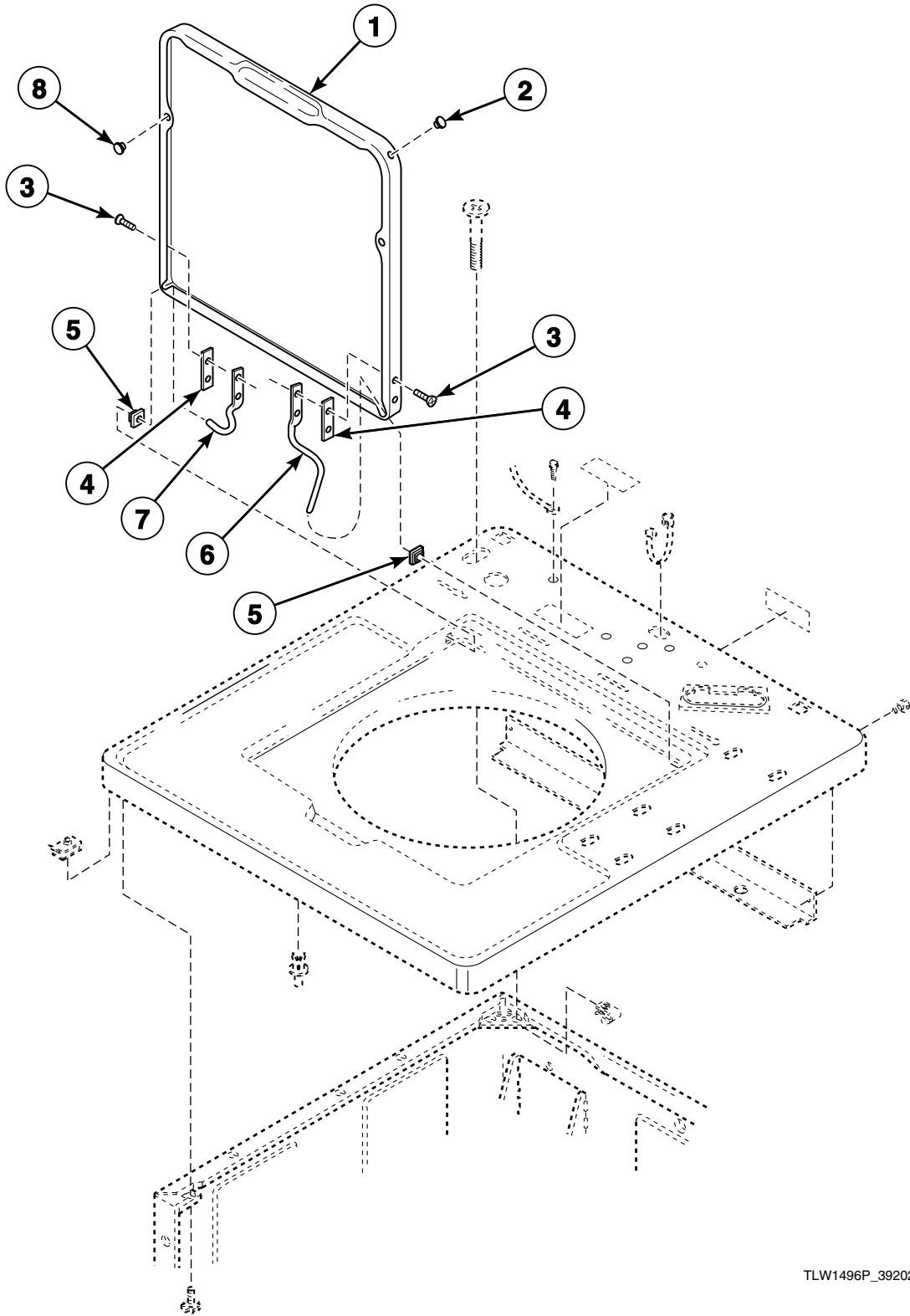
REF	PART NO.	DESCRIPTION	COMMENTS
	837P3	Lid Lock Kit	Includes items 6, 8 and 201414 Door Lock Spacer; Models HWNSX1SP301UW09, HWT011*B3073, HWT111*B3069, JWT910*N3069, SWT111*B3069, SWT111*M3069, SWT111*N3069, SWT911*N3069, SWTX21*M3069 and SWTX21*N3069
1	39184WP	Top Assembly	White; Models HWNSX1SP301UW09, HWT111*B3069, JWT910*N3069, SWT111*B3069, SWT111*M3069, SWT111*N3069, SWT911*N3069, SWTX21*M3069 and SWTX21*N3069
	N/A	Top Assembly	Almond; Models HWNSX1SP301UW09, HWT111*B3069, JWT910*N3069, SWT111*B3069, SWT111*M3069, SWT111*N3069, SWT911*N3069, SWTX21*M3069 and SWTX21*N3069
	39184QP	Top Assembly	Bisque; Models HWNSX1SP301UW09, HWT111*B3069, JWT910*N3069, SWT111*B3069, SWT111*M3069, SWT111*N3069, SWT911*N3069, SWTX21*M3069 and SWTX21*N3069
	39339W	Top Assembly	White; Models HWT211*B3020, HWT211*M3020, HWT211*N3020, HWT911*N3020, HWTX21*M3020, HWTX21*N3020, JWT910*N3020, SWT211*A3020, SWT211*B3020, SWT211*M3020, SWT211*N3020, SWT911*N3020, SWTX21*M3020 and SWTX21*N3020
	39339Q	Top Assembly	Bisque; Models HWT211*B3020, HWT211*M3020, HWT211*N3020, HWT911*N3020, HWTX21*M3020, HWTX21*N3020, JWT910*N3020, SWT211*A3020, SWT211*B3020, SWT211*M3020, SWT211*N3020, SWT911*N3020, SWTX21*M3020 and SWTX21*N3020
	39185WP	Top Assembly	White; Model HWT011*B3073
	39185LP	Top Assembly	Almond; Model HWT011*B3073
	N/A	Top Assembly	Bisque; Model HWT011*B3073
	210173WP	Top Assembly	White; Model JWT810*N3020
	210173QP	Top Assembly	Bisque; Model JWT810*N3020
2	431287	Screw	
3	39249	Washer	
4	39744	Top Shield	
5	80262	Grommet	
6	22649	Screw	Use with old lock; Models HWT011*B3073, HWT111*B3069, SWT111*B3069, SWT111*M3069, SWT111*N3069, SWTX21*M3069 and SWTX21*N3069
	202623	Screw	Models HWNSX1SP301UW09, HWT011*B3073, HWT111*B3069, JWT910*N3069, SWT111*B3069, SWT111*M3069, SWT111*N3069, SWT911*N3069, SWTX21*M3069 and SWTX21*N3069
7	29676	Switch Mounting Plate	Models HWNSX1SP301UW09, HWT011*B3073, HWT111*B3069, JWT910*N3069, SWT111*B3069, SWT111*M3069, SWT111*N3069, SWT911*N3069, SWTX21*M3069 and SWTX21*N3069
8	202434	Lid Lock	Models HWNSX1SP301UW09, HWT011*B3073, HWT111*B3069, JWT910*N3069, SWT111*B3069, SWT111*M3069, SWT111*N3069, SWT911*N3069, SWTX21*M3069 and SWTX21*N3069
9	22001	Nut	
10	31973	Lid Lock Wire Harness Assembly	Models HWNSX1SP301UW09, HWT111*B3069, JWT910*N3069, SWT111*B3069, SWT111*M3069, SWT111*N3069, SWT911*N3069, SWTX21*M3069 and SWTX21*N3069
11	23008	Screw	
12	36020	Nut	
13	30378	Lid Lock Gasket	Models HWNSX1SP301UW09, HWT011*B3073, HWT111*B3069, JWT910*N3069, SWT111*B3069, SWT111*M3069, SWT111*N3069, SWT911*N3069, SWTX21*M3069 and SWTX21*N3069
14	37828P	Cover Plate	Models HWNSX1SP301UW09, HWT011*B3073, HWT111*B3069, JWT910*N3069, SWT111*B3069, SWT111*M3069, SWT111*N3069, SWT911*N3069, SWTX21*M3069 and SWTX21*N3069
15	32184	Bolt	Models HWNSX1SP301UW09, HWT011*B3073, HWT111*B3069, JWT910*N3069, SWT111*B3069, SWT111*M3069, SWT111*N3069, SWT911*N3069, SWTX21*M3069 and SWTX21*N3069

\* Add Letter To Designate Color. L - Almond Q - Bisque W - White

N/A = Part no longer available

# Lid

All Models Except HWNSX1SP301UW09, HWT011\*B3073, HWT111\*B3069, HWT211\*B3020, HWT211\*M3020, HWT211\*N3020, HWT911\*N3020, HWTX21\*M3020, HWTX21\*N3020, JWT810\*N3020, JWT910\*N3020, JWT910\*N3069, SWT111\*B3069, SWT111\*M3069, SWT111\*N3069, SWT211\*A3020, SWT211\*B3020, SWT211\*M3020, SWT211\*N3020, SWT911\*N3020, SWT911\*N3069, SWTX21\*M3020, SWTX21\*M3069, SWTX21\*N3020 and SWTX21\*N3069



TLW1496P\_39202

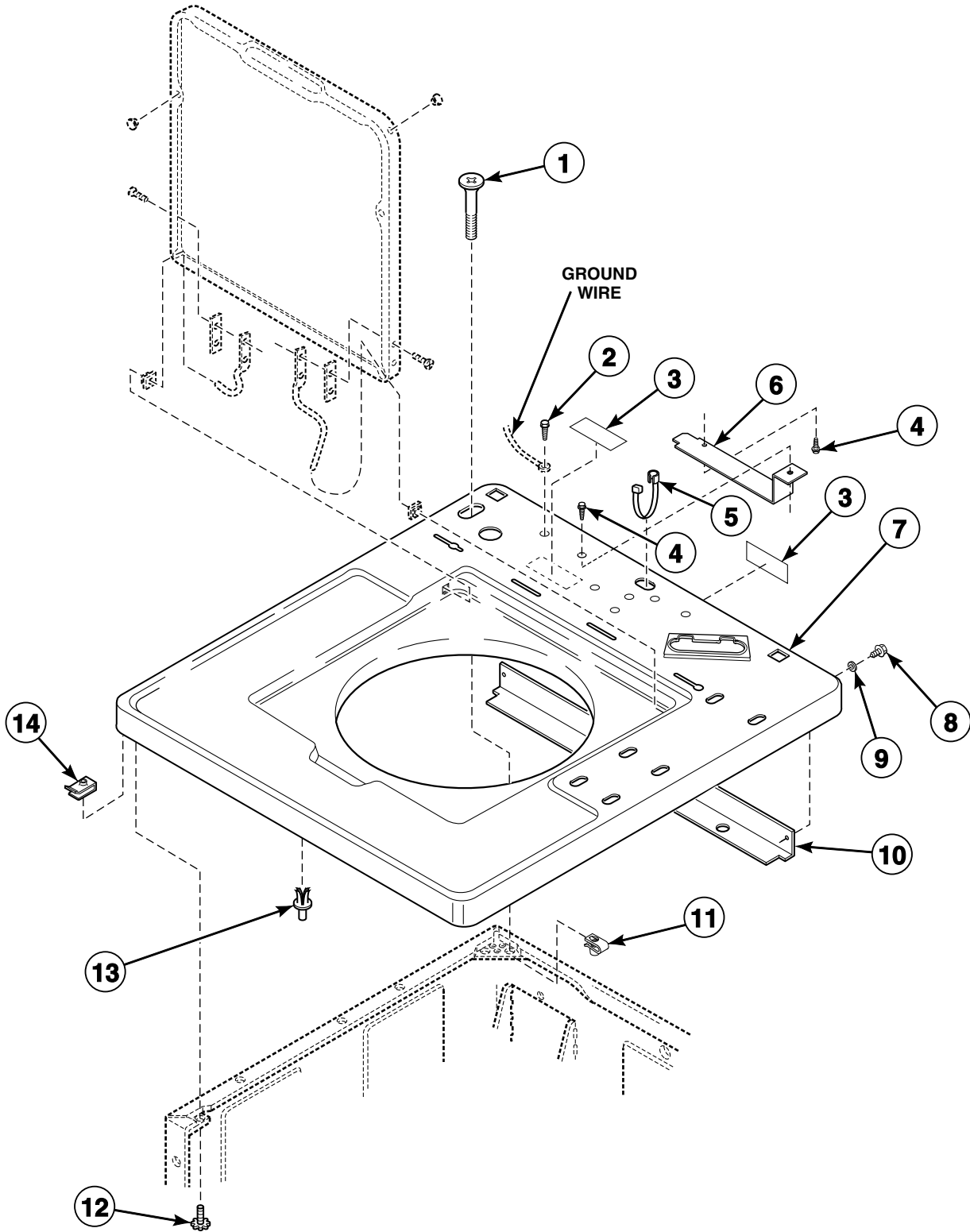
# Lid

REF	PART NO.	DESCRIPTION	COMMENTS
1	200891W	Lid	White; Model SWT911*N3028 starting serial nos. beginning 0804; Models HWTX21*M3022 and HWTX21*N3022
	200891L	Lid	Almond; Model SWT911*N3028 starting serial nos. beginning 0804; Models HWTX21*M3022 and HWTX21*N3022
	200891Q	Lid	Bisque; Model SWT911*N3028 starting serial nos. beginning 0804; Models HWTX21*M3022 and HWTX21*N3022
	201460WP	Lid	White; Models HWT111*A3000, HWT111*C3000, HWT111*M3000, HWT211*A3000, HWT211*C3000, HWT211*M3000, HWT220*M3020, HWT221*N1127, NWNBX2SP301NW22, SWT011*A3000, SWT011*A3022, SWT011*A3028, SWT011*A3050, SWT011*A3062, SWT011*M3000, SWT011*M3022, SWT011*M3050, SWT011*N3000, SWT011*N3022, SWT011*N3028, SWT011*N3050, SWT011*N3062, SWT111*A1200, SWT111*A1300, SWT111*A3000, SWT111*A3022, SWT111*A3028, SWT111*A3050, SWT111*A5412, SWT111*M1200, SWT111*M1300, SWT111*M3000, SWT111*M3022, SWT111*M3050, SWT111*M5412, SWT111*M99K5, SWT111*N3000, SWT111*N3022, SWT111*N3028, SWT111*N3050, SWT111*N5412, SWT111*N5417, SWT121*A3000, SWT121*M3000, SWT211*A1200, SWT211*A1300, SWT211*A3000, SWT211*A3062, SWT211*M3000, SWT211*M3022, SWT211*N3000, SWT211*N3022, SWT211*N3050, SWT211*N3062, SWT421*A3000, SWT421*A3022, SWT421*A3028, SWT421*A3050, SWT421*M3000, SWT421*M3022, SWT421*M3050, SWTA21*M3022, SWTA21*M3050, SWTA21*N3050, SWTF21*M3050, SWTF21*N3050, SWTX21*M3022, SWTX21*N1127, SWTX21*N3022, UWT011*A3022, UWT011*A3025 and UWT011*M3022
	201460LP	Lid and Carton Assembly	Almond; Refer to models above
	201460QP	Lid and Carton Assembly	Bisque; Refer to models above
	201760WP	Lid	White; Model SWT911*N3028 through serial nos. beginning 0804; Models HWT921*N1127, JWT810*N3050, JWT810*N5400, JWT820*N3050, JWT910*N3050, JWT920*N3050, NWT811*N5422, NWT821*N3022, NWT911*N5422, NWT921*N3022, SWT811*N3000, SWT811*N3022, SWT811*N3050, SWT811*N3062, SWT910*N3050, SWT911*N3000, SWT911*N3022, SWT911*N3050, SWT911*N3062 and SWT911*N5412
	201760QP	Lid	Bisque; Model SWT911*N3028 through serial nos. beginning 0804; Models HWT921*N1127, JWT810*N3050, JWT810*N5400, JWT820*N3050, JWT910*N3050, JWT920*N3050, SWNSX1SP541NQ23, SWT811*N3000, SWT811*N3022, SWT811*N3050, SWT811*N3062, SWT910*N3050, SWT911*N3022, SWT911*N3050, SWT911*N3062 and SWT911*N5412
	201761Q	Lid	Bisque; Models BWT820*N1102, BWT920*N1102, HWT821*N1102, HWT911*N1102, HWT921*N1102 and UWT821*N1102
	201761WP	Lid	White; All other models
2	34153	Lid Plug	
3	34337	Screw	
4	34338	Hinge Gasket	
5	33446	Bushing	
6	36437	Lid Hinge	Right
7	36438	Lid Hinge	Left
8	21685	Bumper	

\* Add Letter To Designate Color. L - Almond Q - Bisque W - White

# Top Assembly

All Models Except HWNSX1SP301UW09, HWT011\*B3073, HWT111\*B3069, HWT211\*B3020, HWT211\*M3020, HWT211\*N3020, HWT911\*N3020, HWTX21\*M3020, HWTX21\*N3020, JWT810\*N3020, JWT910\*N3020, JWT910\*N3069, SWT111\*B3069, SWT111\*M3069, SWT111\*N3069, SWT211\*A3020, SWT211\*B3020, SWT211\*M3020, SWT211\*N3020, SWT911\*N3020, SWT911\*N3069, SWTX21\*M3020, SWTX21\*M3069, SWTX21\*N3020 and SWTX21\*N3069



TLW1635P\_39202



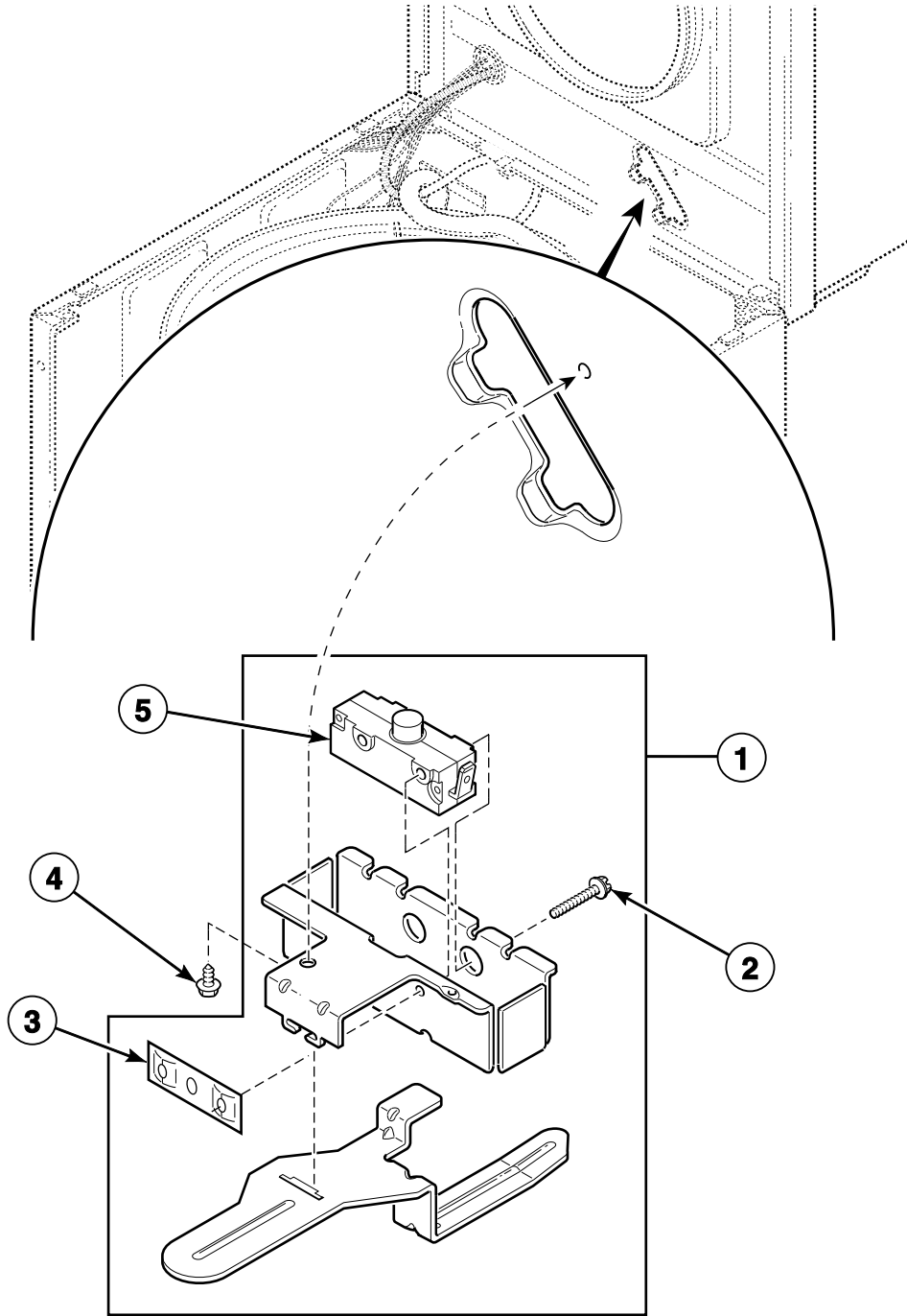
# Top Assembly

REF	PART NO.	DESCRIPTION	COMMENTS
1	503673	Screw	Optional; For added security
2	52909	Screw	
3	505281	Disconnect Power Warning Label	
4	23962	Screw	
5	38384	Strain Relief	All models except JWT810*N3050, JWT820*N3050, JWT910*N3050, JWT920*N3050, SWT011*A3050, SWT111*A3028, SWT111*A3050, SWT421*A3028, SWT421*A3050, SWT811*N3050, SWT910*N3050 and SWT911*N3050
6	202083	Bracket	Models BWT820*N1102, BWT920*N1102, HWLX21*N1102, HWT821*N1102, HWT911*N1102, HWT921*N1102, HWT921*N1127, HWTR21*N1102, HWTT21*N1102, HWTX21*N1102, HWTY21*N1102, JWT810*N5400, NWNBX2SP301NW22, NWT811*N5422, NWT821*N3022, NWT911*N5422, NWT921*N3022, SWNSX1SP541NQ23, SWNSX1SP541NW23, SWT811*N3000, SWT811*N3022, SWT811*N3062, SWT911*N3000, SWT911*N3022, SWT911*N3062, SWT911*N5412, SWTX21*N1127, SWTX21*N3022 and UWT821*N1102 starting Serial No. 0812021721
7	39185WP	Top Assembly	White; Models HWT021*A1102, HWT021*C1102, HWT021*M1102, HWT021*N1102, HWT621*A1102, HWT621*C1102, HWT721*A1102, HWT721*C1102, SWT011*A3000, SWT011*A3022, SWT011*A3028, SWT011*A3050, SWT011*A3062, SWT011*M3000, SWT011*M3022, SWT011*M3050, SWT011*N3000, SWT011*N3022, SWT011*N3028, SWT011*N3050, SWT011*N3062, SWT111*A3022, SWT111*A3028, UWT011*A3022, UWT011*A3025 and UWT011*M3022
	39185LP	Top Assembly	Almond; Refer to models above
	N/A	Top Assembly	Bisque; Refer to models above
	210173WP	Top Assembly	White; Models BWT820*N1102, HWT821*N1102, HWTF21*M1102, HWTF21*N1102, HWTY21*M1102, HWTY21*N1102, JWT810*N3050, JWT810*N5400, JWT820*N3050, NWT811*N5422, NWT821*N3022, SWT811*N3000, SWT811*N3022, SWT811*N3050, SWT811*N3062, SWTF21*M3050, SWTF21*N3050 and UWT821*N1102
	210173LP	Top Assembly	Almond; Refer to models above
	210173QP	Top Assembly	Bisque; Refer to models above
	39167WP	Top	White; All other models
	39167LP	Top	Almond; All other models
	39167QP	Top	Bisque; All other models
8	431287	Screw	Use with item 10
9	39249	Washer	Use with item 10
10	39744	Top Shield	Models HWTX21*M3022, HWTX21*N3022, JWT810*N3050, JWT820*N3050, JWT910*N3050, JWT920*N3050, SWT011*A3028, SWT011*M3050, SWT011*N3028, SWT011*N3050, SWT111*A3028, SWT111*M3050, SWT111*M99K5, SWT111*N3028, SWT111*N3050, SWT421*M3050, SWT811*N3050, SWT910*N3050, SWT911*N3028, SWT911*N3050, SWTA21*M3050, SWTA21*N3050, SWTF21*M3050, SWTF21*N3050 and UWT011*A3025
11	27222	Nut	Optional; For added security
12	23008	Screw	
13	56534	Support Barrel	
14	36020	Nut	

\* Add Letter To Designate Color. L - Almond Q - Bisque W - White

N/A = Part no longer available

# Lid Switch



TLW1832B\_39202

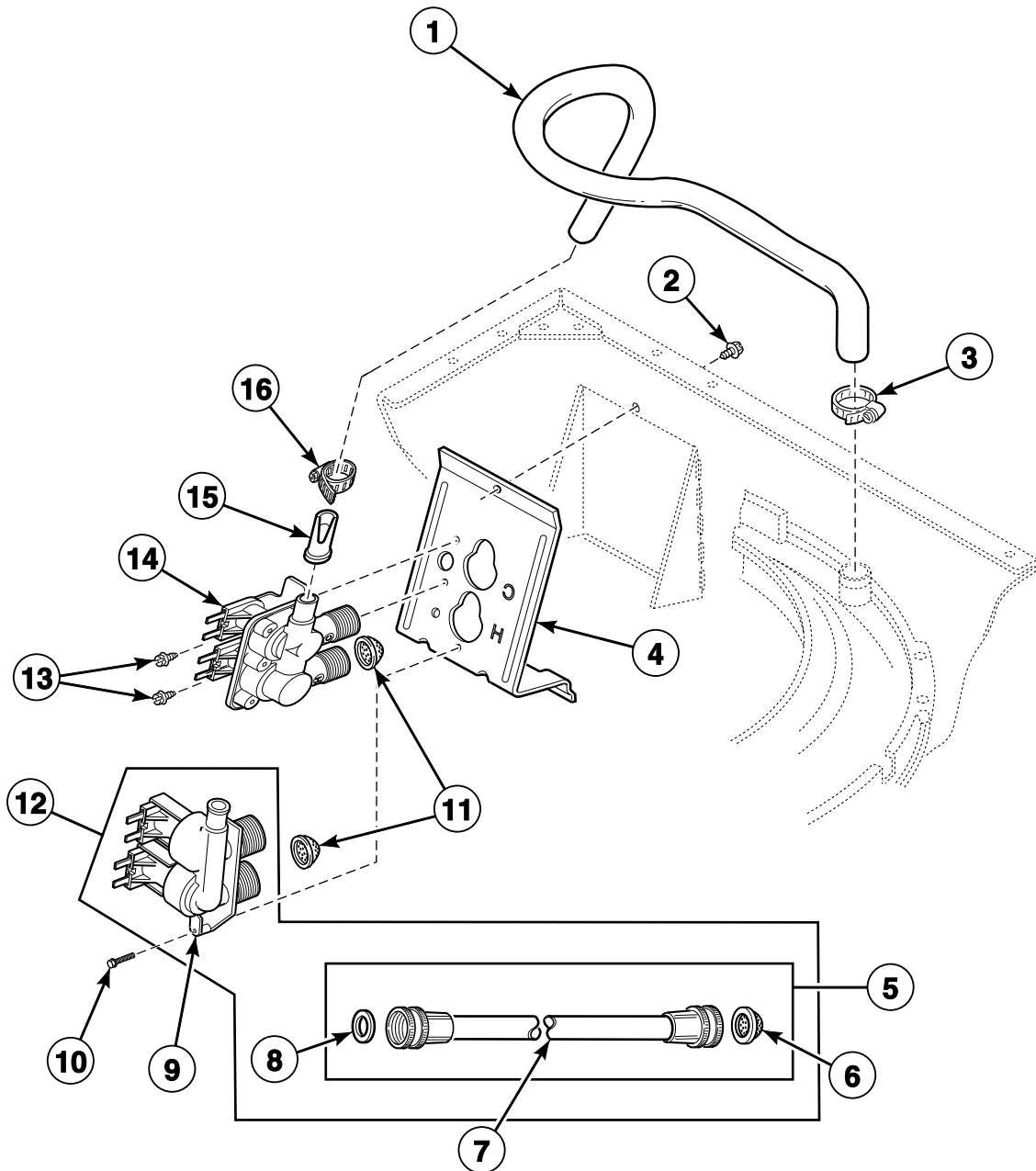
# Lid Switch

REF	PART NO.	DESCRIPTION	COMMENTS
1	39256	Switch Assembly	Models HWNSX1SP301UW09, HWT011*B3073, HWT111*B3069, HWT211*B3020, HWT211*M3020, HWT211*N3020, HWT220*M3020, HWT911*N3020, HWTX21*M3020, HWTX21*M3022, HWTX21*N3020, HWTX21*N3022, JWT810*N3020, JWT910*N3020, JWT910*N3069, SWT111*A3028, SWT111*B3069, SWT111*M3069, SWT111*N3028, SWT111*N3069, SWT211*A3020, SWT211*B3020, SWT211*M3020, SWT211*N3020, SWT421*A3028, SWT911*N3020, SWT911*N3028, SWT911*N3069, SWTX21*M3020, SWTX21*M3069, SWTX21*N3020, SWTX21*N3069 and UWT011*A3025
	37631	Lid Switch Assembly	All other models
2	M402574	Screw	
3	M400981	Nut	
4	23962	Screw	
5	37830	Switch	Models HWNSX1SP301UW09, HWT011*B3073, HWT111*B3069, HWT211*B3020, HWT211*M3020, HWT211*N3020, HWT220*M3020, HWT911*N3020, HWTX21*M3020, HWTX21*M3022, HWTX21*N3020, HWTX21*N3022, JWT810*N3020, JWT910*N3020, JWT910*N3069, SWT111*A3028, SWT111*B3069, SWT111*M3069, SWT111*N3028, SWT111*N3069, SWT211*A3020, SWT211*B3020, SWT211*M3020, SWT211*N3020, SWT421*A3028, SWT911*N3020, SWT911*N3028, SWT911*N3069, SWTX21*M3020, SWTX21*M3069, SWTX21*N3020, SWTX21*N3069 and UWT011*A3025
	33445	Switch	All other models

\* Add Letter To Designate Color. L - Almond Q - Bisque W - White

# Fill Hose, Mixing Valve-to-Tub Cover Hose, Mixing Valve and Mounting Bracket

Models with Suffix Numbers 1102 and Models HWT221\*N1127, HWT921\*N1127 and SWTX21\*N1127



TLW1509P\_39202

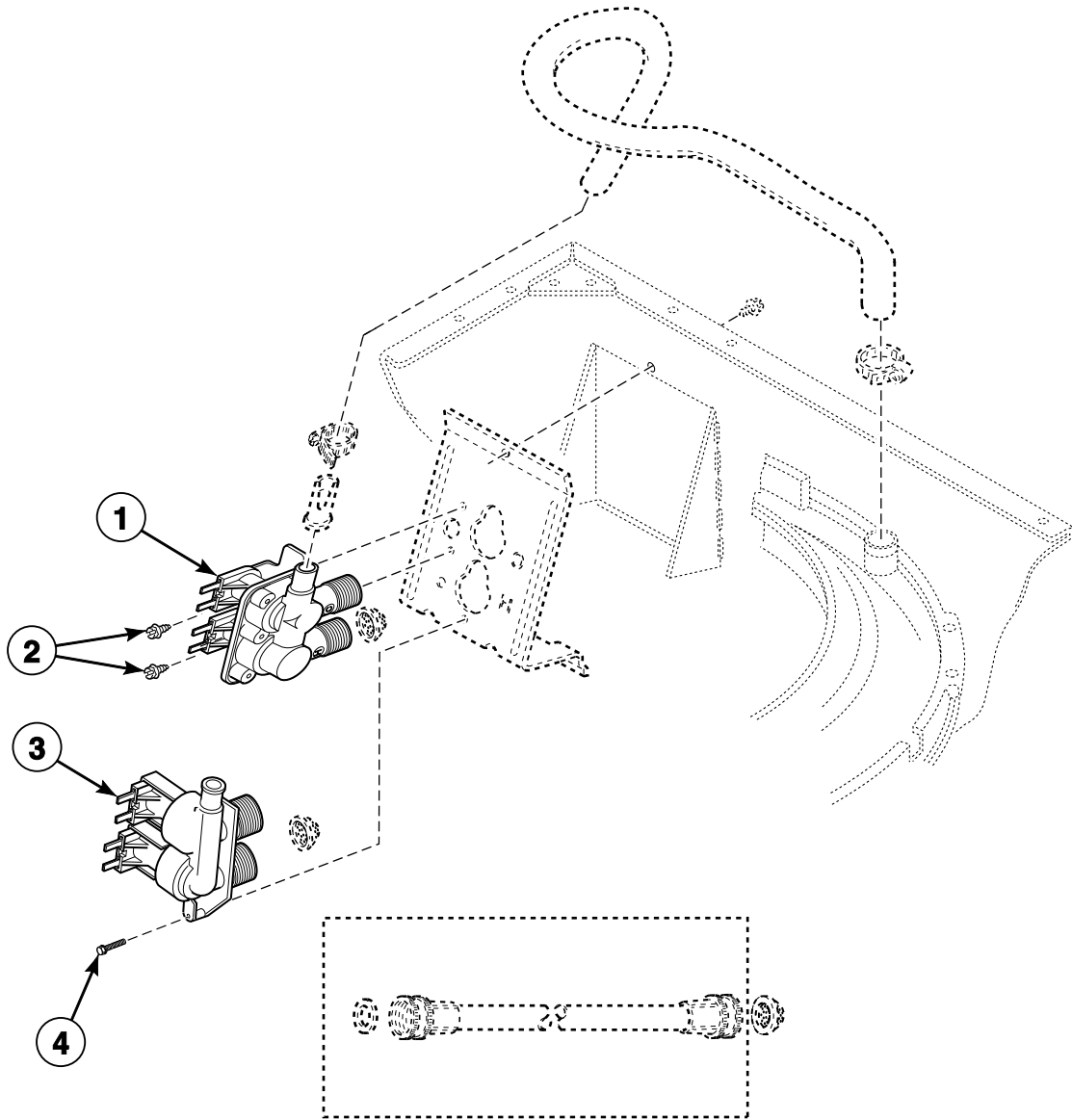
## Fill Hose, Mixing Valve-to-Tub Cover Hose, Mixing Valve and Mounting Bracket

REF	PART NO.	DESCRIPTION	COMMENTS
1	38155	Mixing Valve-to-Tub Cover Hose	
2	33562	Screw	
3	800803	Hose Clamp	
4	39407	Mixing Valve Mounting Bracket	
5	F200116	Water Hose	5 feet; Hose is equipped with 2 standard hose couplings; Includes items 6 and 8
	38349P	Fill Hose Kit	5 feet; Hose is equipped with 1 metric and 1 standard hose coupling; Includes item 8
6	803615	Washer	Filter screen
	802254	Washer	Flow restrictor; Water pressure reducer; Available for water pressure up to but not exceeding 120 psi
7	20617	Fill Hose	8 feet; Hose is equipped with 2 standard hose couplings
	20618	Fill Hose	10 feet; Hose is equipped with 2 standard hose couplings
	37380	Fill Hose	8 feet; Hose is equipped with 1 metric and 1 standard hose coupling
	37381	Fill Hose	10 feet; Hose is equipped with 1 metric and 1 standard hose coupling
8	20290	Washer	
9	201468P	Mixing Valve	Models HWTR21*N1102, HWTT21*N1102, HWTX21*N1102, HWTY21*M1102, HWTY21*N1102, HWTZ21*M1102, HWTZ21*N1102 and SWTX21*N1127
	201402P	Mixing Valve	All other models starting Serial No. 9809033481
10	39397	Screw	Use with item 9
11	24122	Mixing Valve Screen	
12	RB150001	Mixing Valve Kit	Includes F200116 Water Hose; Models BWT820*N1102, BWT920*N1102, HWLX21*N1102, HWT021*A1102, HWT021*C1102, HWT021*M1102, HWT021*N1102, HWT111*A1102, HWT111*C1102, HWT111*M1102, HWT111*N1102, HWT121*A1102, HWT121*C1102, HWT121*M1102, HWT121*N1102, HWT210*A1102, HWT210*C1102, HWT210*M1102, HWT210*N1102, HWT211*C1102, HWT220*A1102, HWT220*C1102, HWT220*M1102, HWT221*A1102, HWT221*C1102, HWT221*M1102, HWT221*N1102, HWT221*N1127, HWT521*A1102, HWT521*C1102, HWT621*A1102, HWT621*C1102, HWT721*A1102, HWT721*C1102, HWT821*N1102, HWT911*N1102, HWT921*N1102, HWT921*N1127, HWTB21*M1102, HWTB21*N1102, HWTF21*M1102, HWTF21*N1102 and UWT821*N1102 starting Serial No. 9809033481
13	501086	Screw	Use with item 14
14	38495P	Mixing Valve	Models HWTR21*N1102, HWTT21*N1102, HWTX21*N1102, HWTY21*M1102, HWTY21*N1102, HWTZ21*M1102, HWTZ21*N1102 and SWTX21*N1127; Models through Serial No. 989033480
15	34500	Backflow Preventer	
16	36801	Hose Clamp	

\* Add Letter To Designate Color. L - Almond Q - Bisque W - White

# Mixing Valve

All Models Except Models with Suffix Numbers 1102 and Models HWT221\*N1127, HWT921\*N1127 and SWTX21\*N1127



TLW1509PA\_39202

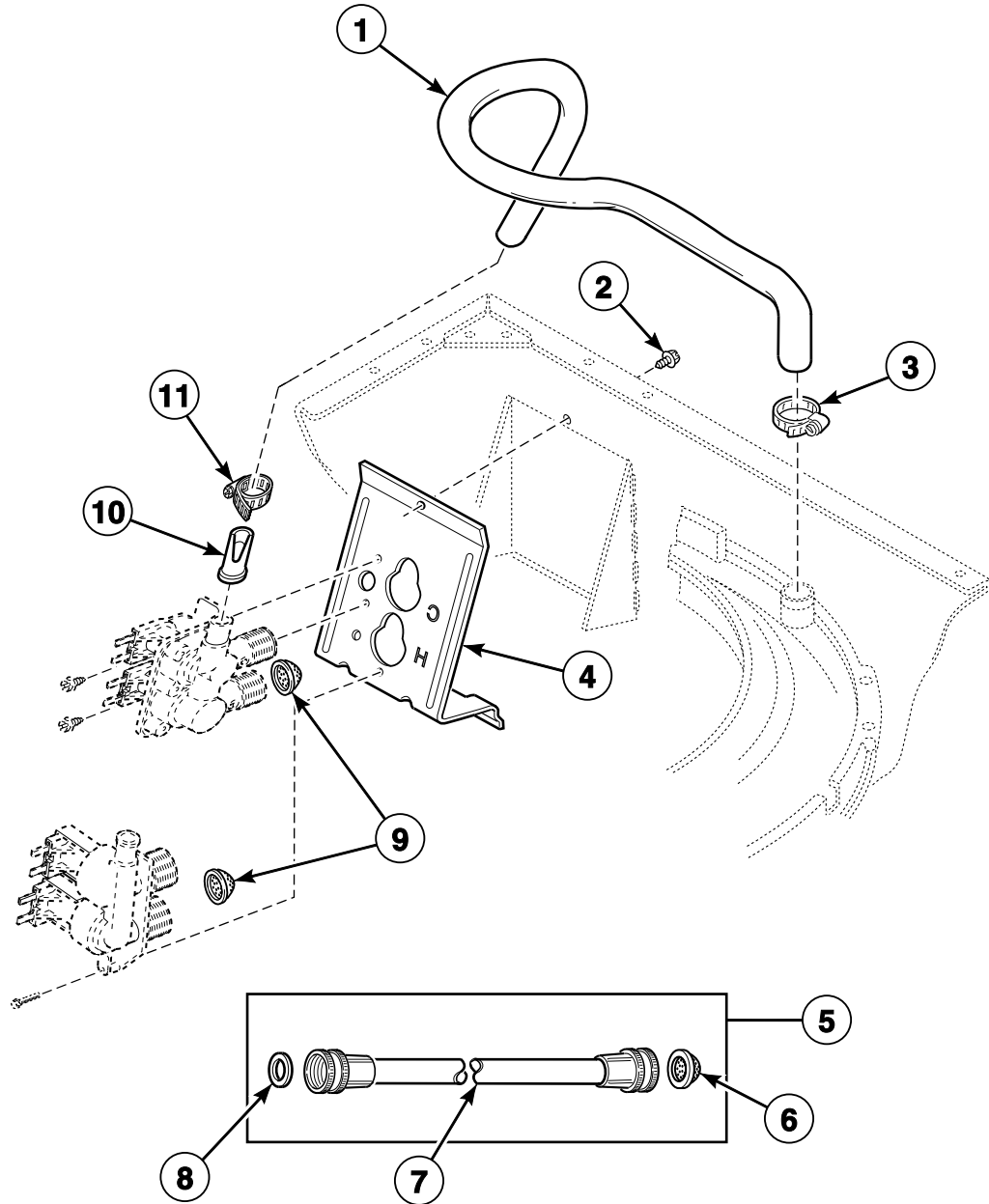
# Mixing Valve

REF	PART NO.	DESCRIPTION	COMMENTS
1	38495P	Mixing Valve	Models through Serial No. 9809033480; Models SWT111*A1200, SWT111*A1300, SWT211*A1200 and SWT211*A1300
	38813P	Mixing Valve	Models HWT111*A3000, HWT111*C3000, HWT211*A3000, HWT211*C3000, SWT011*A3000, SWT011*A3022, SWT011*A3050, SWT111*A3000, SWT111*A3022, SWT111*A3050, SWT111*A5412, SWT121*A3000, SWT211*A3000, SWT211*A3022, SWT421*A3000, SWT421*A3022, SWT421*A3028, SWT421*A3050 and UWT011*A3022
	38918P	Mixing Valve	Models HWNSX1SP301UW09, HWT011*B3073, HWT111*B3069, HWT211*B3020, HWT211*M3020, HWT211*N3020, HWT220*M3020, HWT911*N3020, HWTX21*M3020, HWTX21*M3022, HWTX21*N3020, HWTX21*N3022, JWT810*N3020, JWT910*N3020, JWT910*N3069, SWT111*B3069, SWT111*M3069, SWT111*N3069, SWT211*A3020, SWT211*B3020, SWT211*M3020, SWT211*N3020, SWT911*N3020, SWT911*N3069, SWTX21*M3020, SWTX21*M3069, SWTX21*N3020 and SWTX21*N3069
2	501086	Screw	Use with item 1
3	201402P	Mixing Valve	Models starting Serial No. 9809033481; Models SWT111*A1200, SWT111*A1300, SWT111*M1200, SWT111*M1300, SWT211*A1200 and SWT211*A1300
	RB150001	Mixing Valve Kit	Models starting Serial No. 9809033481; Models SWT111*A1200, SWT111*A1300, SWT111*M1200, SWT111*M1300, SWT211*A1200 and SWT211*A1300; Includes 28330P Fill Hose Kit
	39070P	Mixing Valve	Models HWT111*M3000, HWT211*M3000, HWT220*M3000, JWT810*N3050, JWT810*N5400, JWT820*N3050, JWT910*N3050, JWT920*N3050, NWNBX2SP301NW22, NWT811*N5422, NWT821*N3022, NWT911*N5422, NWT921*N3022, SWNSX1SP541NQ23, SWNSX1SP541NW23, SWT011*A3028, SWT011*A3062, SWT011*M3000, SWT011*M3022, SWT011*M3050, SWT011*N3000, SWT011*N3022, SWT011*N3028, SWT011*N3050, SWT011*N3062, SWT111*A3028, SWT111*M3000, SWT111*M3022, SWT111*M3050, SWT111*M5412, SWT111*M99K5, SWT111*N3000, SWT111*N3022, SWT111*N3028, SWT111*N3050, SWT111*N5412, SWT111*N5417, SWT121*M3000, SWT211*A3062, SWT211*M3000, SWT211*M3022, SWT211*N3000, SWT211*N3022, SWT211*N3050, SWT211*N3062, SWT421*M3000, SWT421*M3022, SWT421*M3050, SWT811*N3000, SWT811*N3022, SWT811*N3050, SWT811*N3062, SWT910*N3050, SWT911*N3000, SWT911*N3022, SWT911*N3028, SWT911*N3050, SWT911*N3062, SWT911*N5412, SWTA21*M3022, SWTA21*M3050, SWTA21*N3050, SWTF21*M3050, SWTF21*N3050, SWTX21*M3000, SWTX21*M3022, SWTX21*M3050, SWTX21*N3000, SWTX21*N3022, SWTX21*N3050, UWT011*A3025 and UWT011*M3022
4	39397	Screw	Use with item 3

\* Add Letter To Designate Color. L - Almond Q - Bisque W - White

# Fill Hose, Mixing Valve-to-Tub Cover Hose and Mounting Bracket

All Models Except Models with Suffix Numbers 1102 and Models HWT221\*N1127, HWT921\*N1127 and SWTX21\*N1127



TLW1509PB\_39202



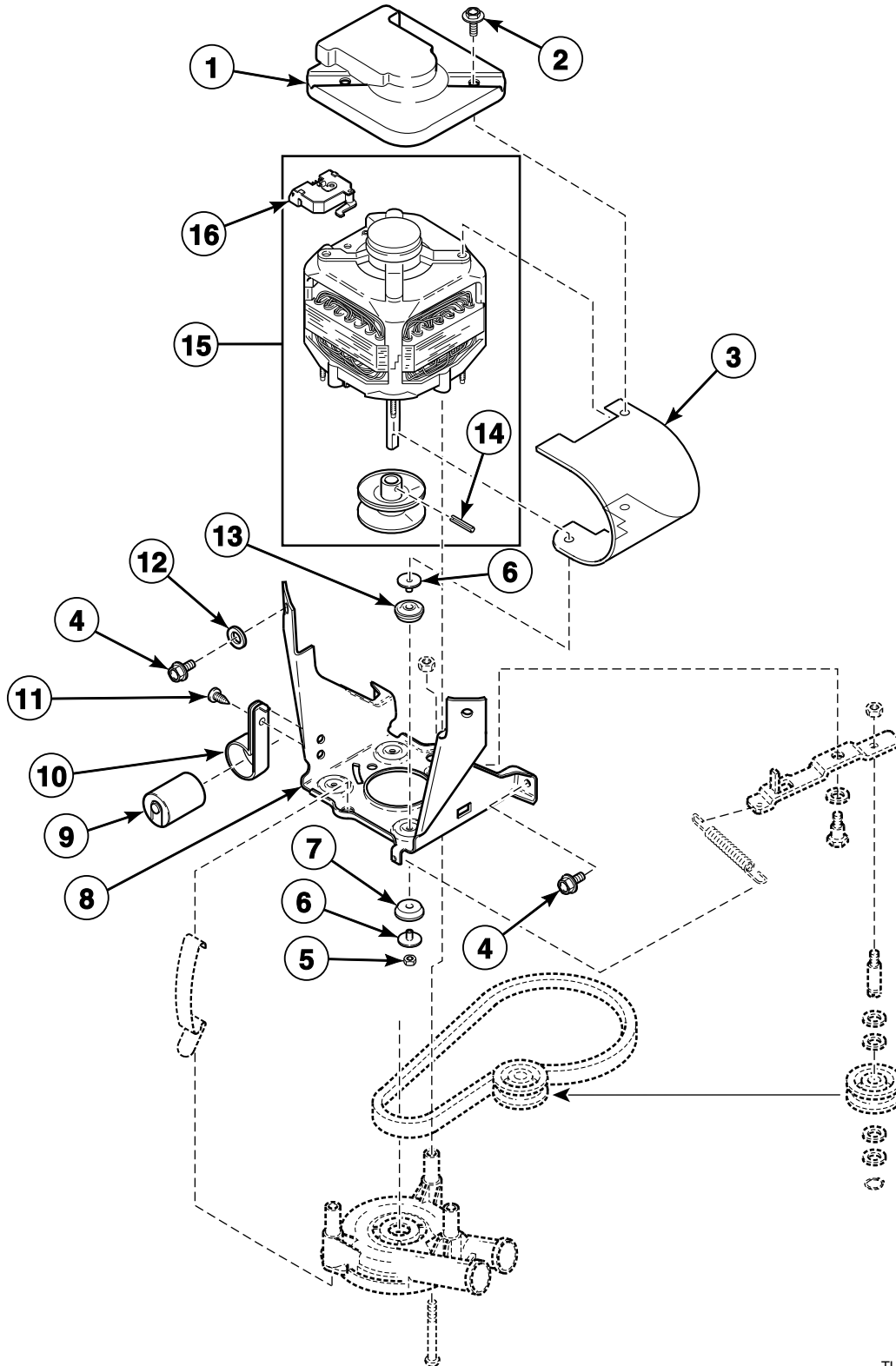
## Fill Hose, Mixing Valve-to-Tub Cover Hose and Mounting Bracket

REF	PART NO.	DESCRIPTION	COMMENTS
1	38155	Mixing Valve-to-Tub Cover Hose	
2	33562	Screw	
3	800803	Hose Clamp	
4	39407	Mixing Valve Mounting Bracket	
5	F200116	Water Hose	5 feet; Hose is equipped with 2 standard hose couplings; Includes items 6 and 8
	38349P	Fill Hose Kit	5 feet; Hose is equipped with 1 metric and 1 standard hose coupling; Includes item 8
6	803615	Washer	Filter screen
	802254	Washer	Flow restrictor; Water pressure reducer; Available for water pressure up to but not exceeding 120 psi
7	20617	Fill Hose	8 feet; Hose is equipped with 2 standard hose couplings
	20618	Fill Hose	10 feet; Hose is equipped with 2 standard hose couplings
	37380	Fill Hose	8 feet; Hose is equipped with 1 metric and 1 standard hose coupling
	37381	Fill Hose	10 feet; Hose is equipped with 1 metric and 1 standard hose coupling
8	20290	Washer	
9	24122	Mixing Valve Screen	
10	34500	Backflow Preventer	
11	36801	Hose Clamp	

\* Add Letter To Designate Color. L - Almond Q - Bisque W - White

# Motor and Mounting Bracket Assembly (Drawing 1 of 3)

Models HWNSX1SP301UW09, HWT011\*B3073, HWT111\*B3069, HWT211\*B3020, HWT211\*M3020, HWT211\*N3020, HWT220\*M3020, HWT911\*N3020, JWT810\*N3020, JWT910\*N3020, JWT910\*N3069, SWT011\*A3028, SWT011\*N3028, SWT111\*A3028, SWT111\*B3069, SWT111\*M3069, SWT111\*N3028, SWT111\*N3069, SWT211\*A3020, SWT211\*B3020, SWT211\*M3020, SWT211\*N3020, SWT911\*N3020, SWT911\*N3069 and UWTO11\*A3025



TLW1492P\_39202

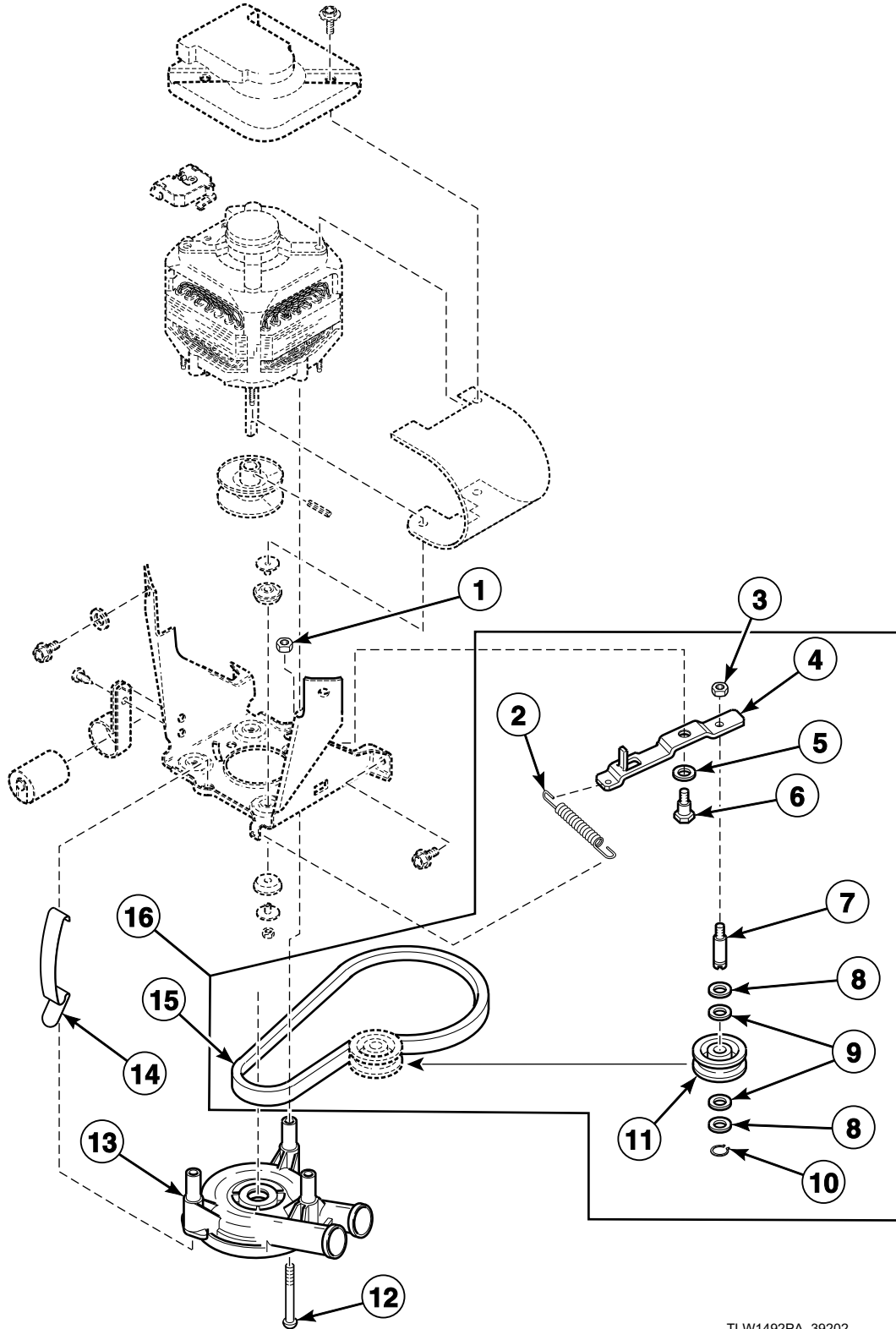
# Motor and Mounting Bracket Assembly (Drawing 1 of 3)

REF	PART NO.	DESCRIPTION	COMMENTS
1	34754	Motor Shield	
2	36639	Screw	
3	36965	Motor Side Shield	
4	35369	Screw	
5	685846	Nut	
6	38325	Isolator Post	
7	38396	Motor Mount	
8	200941	Motor Mount Bracket	
9	39259P	Capacitor and Clamp Kit	
10	37535	Capacitor Clamp	Use with item 9
11	52909	Screw	Use with item 9
12	37772	Washer	
13	38395	Motor Mount	
14	10416	Roll Pin	Models through Serial No. 0011013645
15	200648P	Motor Assembly	Capacitor start; 1 speed; 230 Volt/50 Hertz; Models HWT211*M3020, HWT211*N3020, HWT220*M3020, SWT011*A3028, SWT011*N3028, SWT111*A3028, SWT111*M3069, SWT111*N3028, SWT111*N3069, SWT211*M3020, SWT211*N3020 and UWT011*A3025 through Serial Nos. beginning 0311; Models HWT111*B3069, HWT211*B3020, SWT111*B3069 and SWT211*B3020 starting Serial Nos. beginning 0102
	835P3	Motor Kit	1 speed; 240 Volt/50 Hertz; Models HWT111*B3069, HWT211*B3020, SWT111*B3069 and SWT211*B3020 starting Serial No. 0011003354 and continuing through Serial Nos. beginning 0102; Models HWT211*N3020, SWT011*N3028, SWT111*N3028, SWT111*N3069 and SWT211*N3020 starting Serial Nos. beginning 0311; Models HWNSX1SP301UW09, HWT911*N3020, JWT810*N3020, JWT910*N3020, JWT910*N3069, SWT911*N3020 and SWT911*N3069
16	N/A	Motor Switch	

\* Add Letter To Designate Color. L - Almond Q - Bisque W - White  
 N/A = Part no longer available

# Belt, Pump and Idler Assembly (Drawing 1 of 4)

Models HWNSX1SP301UW09, HWT011\*B3073, HWT111\*B3069, HWT211\*B3020, HWT211\*M3020, HWT211\*N3020, HWT220\*M3020, HWT911\*N3020, JWT810\*N3020, JWT910\*N3020, JWT910\*N3069, SWT011\*A3028, SWT011\*N3028, SWT111\*A3028, SWT111\*B3069, SWT111\*M3069, SWT111\*N3028, SWT111\*N3069, SWT211\*A3020, SWT211\*B3020, SWT211\*M3020, SWT211\*N3020, SWT911\*N3020, SWT911\*N3069 and UWTO11\*A3025



TLW1492PA\_39202

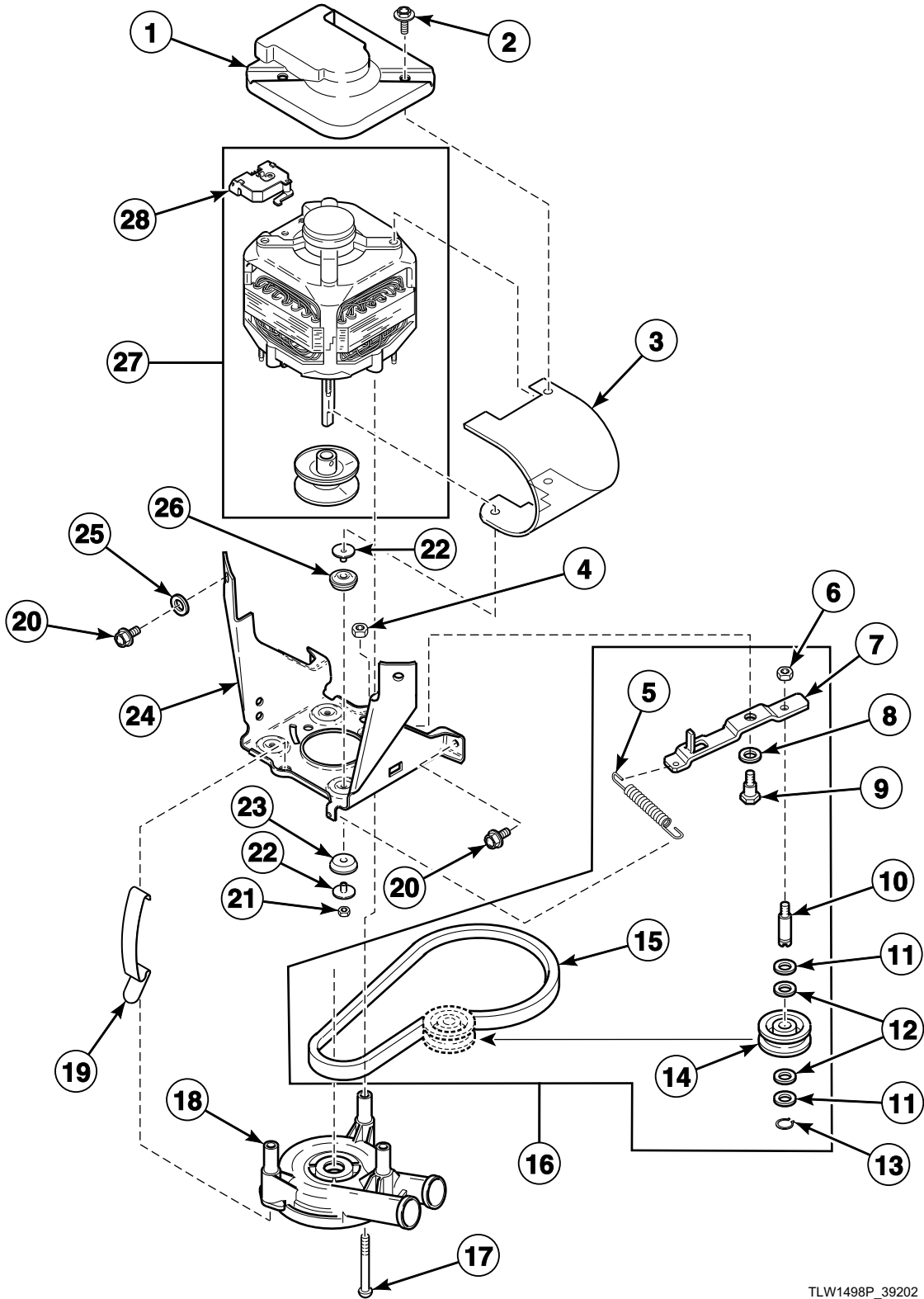
## Belt, Pump and Idler Assembly (Drawing 1 of 4)

REF	PART NO.	DESCRIPTION	COMMENTS
1	52566	Nut	
2	202032	Idler Lever Spring	Models HWNSX1SP301UW09, HWT211*N3020, HWT911*N3020, JWT810*N3020, JWT910*N3020, JWT910*N3069, SWT011*N3028, SWT111*N3028, SWT111*N3069, SWT211*N3020, SWT911*N3020 and SWT911*N3069; Models through Serial Nos. beginning 0401 and starting again at Serial No. 0402011701; Use on units experiencing low RPM
	39666	Idler Lever Spring	All other models
3	28803	Nut	
4	38011	Idler Lever	
5	81392	Washer	
6	27229	Screw	
7	56461P	Shaft	Models through Serial No. 0107000541
	210186	Idler Shaft	Models starting Serial No. 0107000542
8	504082	Washer	Models starting Serial No. 0107000542
9	52549	Washer	Nylatron
10	23748	Retaining Ring	
11	38225P	Idler Pulley	
12	34565	Screw	Models through Serial No. 0204010658
13	201566P	Pump	
	201442P	Pump Assembly	Heavy duty
14	210202	Spring Clip	Models starting Serial No. 0204010659
15	200923	Agitate and Spin Belt	Models HWNSX1SP301UW09, HWT211*M3020, HWT211*N3020, HWT220*M3020, HWT911*N3020, JWT810*N3020, JWT910*N3020, JWT910*N3069, SWT011*N3028, SWT111*M3069, SWT111*N3028, SWT111*N3069, SWT211*M3020, SWT211*N3020, SWT911*N3020 and SWT911*N3069
	38749	Agitate and Spin Belt	All other models
16	202972	Idler Lever and Belt Kit	Models HWNSX1SP301UW09, HWT211*M3020, HWT211*N3020, HWT220*M3020, HWT911*N3020, JWT810*N3020, JWT910*N3020, JWT910*N3069, SWT011*N3028, SWT111*M3069, SWT111*N3028, SWT111*N3069, SWT211*M3020, SWT211*N3020, SWT911*N3020 and SWT911*N3069

\* Add Letter To Designate Color. L - Almond Q - Bisque W - White

# Motor, Mounting Bracket, Belt and Idler Assembly

Models HWTX21\*M3020, HWTX21\*M3022, HWTX21\*N3020, HWTX21\*N3022, NWNBX2SP301NW22, SWTX21\*M3020, SWTX21\*M3022, SWTX21\*M3069, SWTX21\*N3020, SWTX21\*N3022 and SWTX21\*N3069



TLW1498P\_39202

# Motor, Mounting Bracket, Belt and Idler Assembly

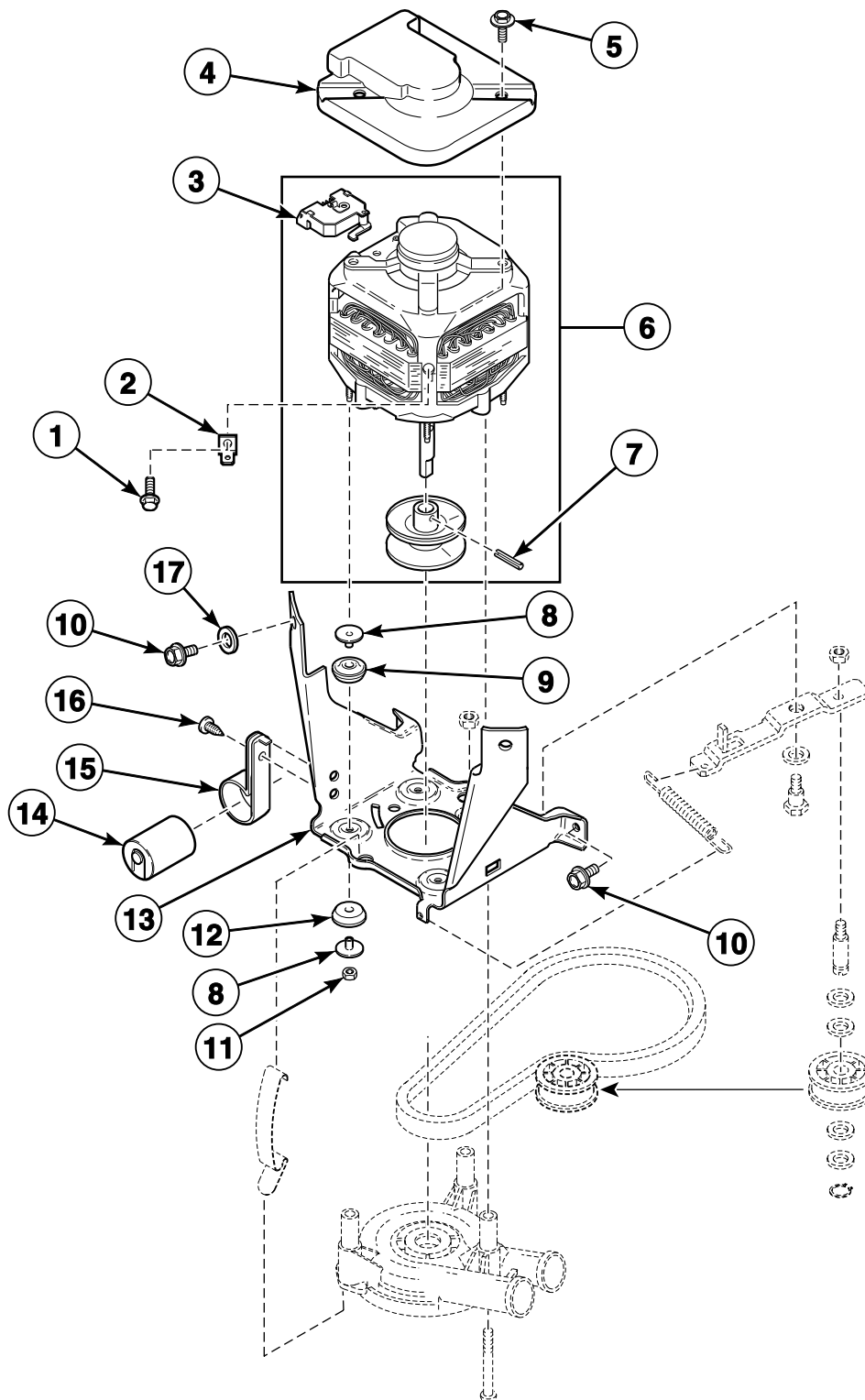
REF	PART NO.	DESCRIPTION	COMMENTS
1	34754	Motor Shield	
2	36639	Screw	
3	36965	Motor Side Shield	
4	52566	Nut	
5	202032	Idler Lever Spring	All models with the letter "N" in the 3rd or 8th character of the model number; Models through Serial Nos. beginning 0401 and starting again at Serial No. 0402011701; Use on units experiencing low RPM
	39666	Idler Lever Spring	All other models
6	28803	Nut	
7	38011	Idler Lever	
8	81392	Washer	
9	27229	Screw	
10	210186	Idler Shaft	
11	504082	Washer	
12	52549	Washer	Nylatron
13	23748	Retaining Ring	
14	38225P	Idler Pulley	
15	200923	Agitate and Spin Belt	
16	202972	Idler Lever and Belt Kit	
17	34565	Screw	Models through Serial No. 0204010658
18	201566P	Pump	
	201442P	Pump Assembly	Heavy duty
19	210202	Spring Clip	Models starting Serial No. 0204010659
20	35369	Screw	
21	685846	Nut	
22	38325	Isolator Post	
23	38396	Motor Mount	
24	200941	Motor Mount Bracket	
25	37772	Washer	
26	38395	Motor Mount	
27	201433P	Motor Kit	2 speed; 240 Volt/50 Hertz
28	N/A	Motor Switch	

\* Add Letter To Designate Color. L - Almond Q - Bisque W - White

N/A = Part no longer available

# Motor and Mounting Bracket Assembly (Drawing 2 of 3)

Models JWT810\*N3050, JWT820\*N3050, JWT910\*N3050, JWT920\*N3050, SWT011\*A3050, SWT011\*M3050, SWT011\*N3050, SWT111\*A3050, SWT111\*M3050, SWT111\*M99K5, SWT111\*N3050, SWT211\*N3050, SWT421\*A3050, SWT421\*M3050, SWT811\*N3050, SWT910\*N3050, SWT911\*N3050, SWTA21\*M3050, SWTA21\*N3050, SWTF21\*M3050, SWTF21\*N3050, SWTX21\*M3050 and SWTX21\*N3050



TLW1493P\_39202



## Motor and Mounting Bracket Assembly (Drawing 2 of 3)

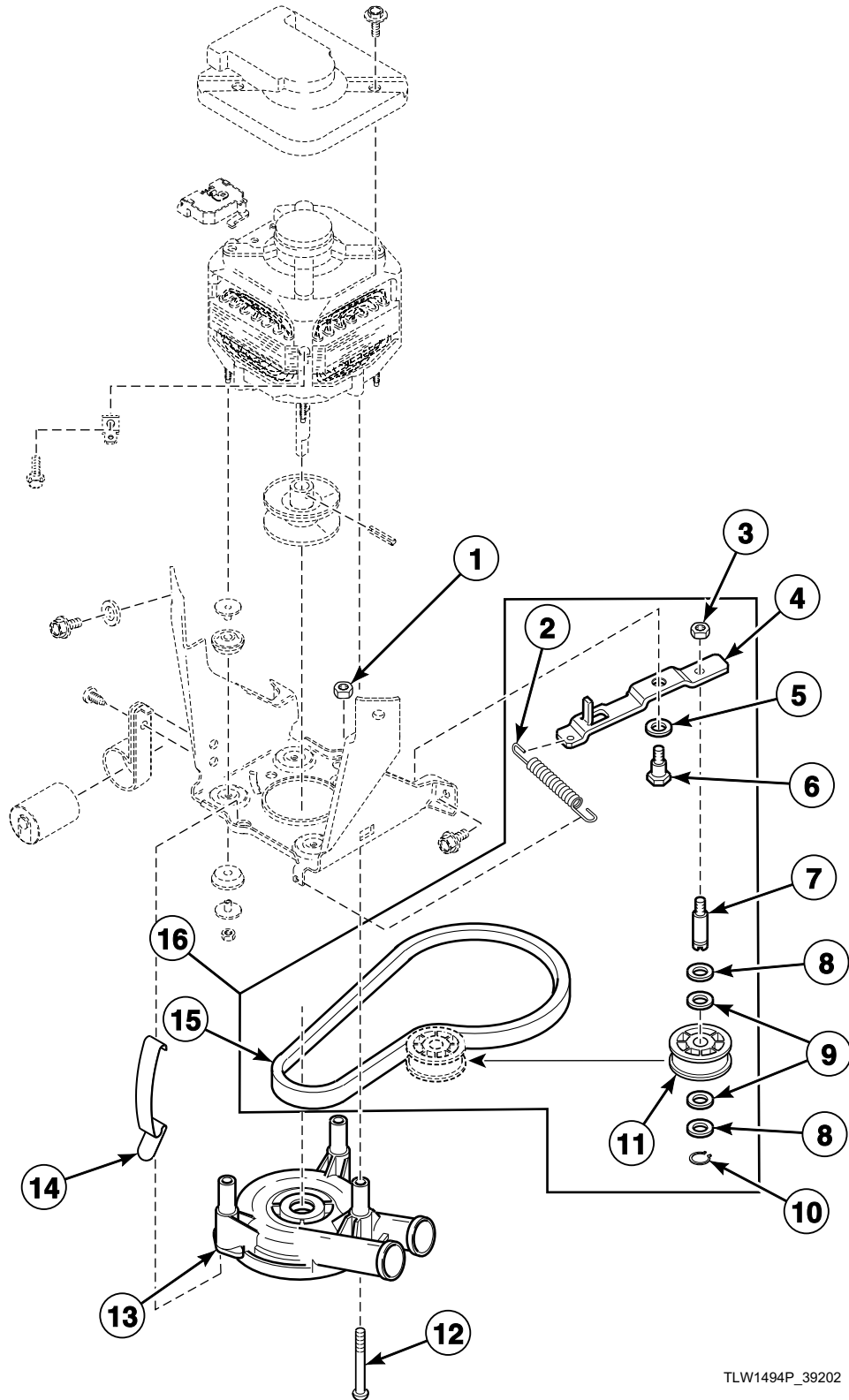
REF	PART NO.	DESCRIPTION	COMMENTS
1	20530	Screw	Models starting Serial Nos. beginning 0005
2	00177	Male Tab Terminal	Models starting Serial Nos. beginning 0005
3	N/A	Motor Switch	
4	34754	Motor Shield	
5	36639	Screw	
6	835P3	Motor Kit	240 Volt/50 Hertz, 1 speed; Models JWT810*N3050, JWT910*N3050, SWT011*A3050, SWT011*M3050, SWT011*N3050, SWT111*A3050, SWT111*M3050, SWT111*M99K5, SWT111*N3050, SWT211*N3050, SWT811*N3050, SWT910*N3050 and SWT911*N3050
	201433P	Motor Kit	240 Volt/50 Hertz, 2 speed; Models JWT820*N3050, JWT920*N3050, SWT421*A3050, SWT421*M3050, SWTA21*M3050, SWTA21*N3050, SWTF21*M3050, SWTF21*N3050, SWTX21*M3050 and SWTX21*N3050
7	10416	Roll Pin	Models through Serial No. 0011013645
8	38325	Isolator Post	
9	38395	Motor Mount	
10	35369	Screw	
11	685846	Nut	
12	38396	Motor Mount	
13	200941	Motor Mount Bracket	
14	39259P	Capacitor and Clamp Kit	Models SWT011*M3050, SWT111*M3050 and SWT111*M99K5 starting Serial No. 0210018191; Models JWT810*N3050, JWT910*N3050, SWT011*N3050, SWT111*N3050, SWT211*N3050, SWT811*N3050, SWT910*N3050 and SWT911*N3050
15	37535	Capacitor Clamp	Use with item 28
16	52909	Screw	Use with item 28
17	37772	Washer	

\* Add Letter To Designate Color. L - Almond Q - Bisque W - White

N/A = Part no longer available

# Belt, Pump and Idler Assembly (Drawing 2 of 4)

Models JWT810\*N3050, JWT820\*N3050, JWT910\*N3050, JWT920\*N3050, SWT011\*A3050, SWT011\*M3050, SWT011\*N3050, SWT111\*A3050, SWT111\*M3050, SWT111\*M99K5, SWT111\*N3050, SWT211\*N3050, SWT421\*A3050, SWT421\*M3050, SWT811\*N3050, SWT910\*N3050, SWT911\*N3050, SWTA21\*M3050, SWTA21\*N3050, SWTF21\*M3050, SWTF21\*N3050, SWTX21\*M3050 and SWTX21\*N3050



TLW1494P\_39202

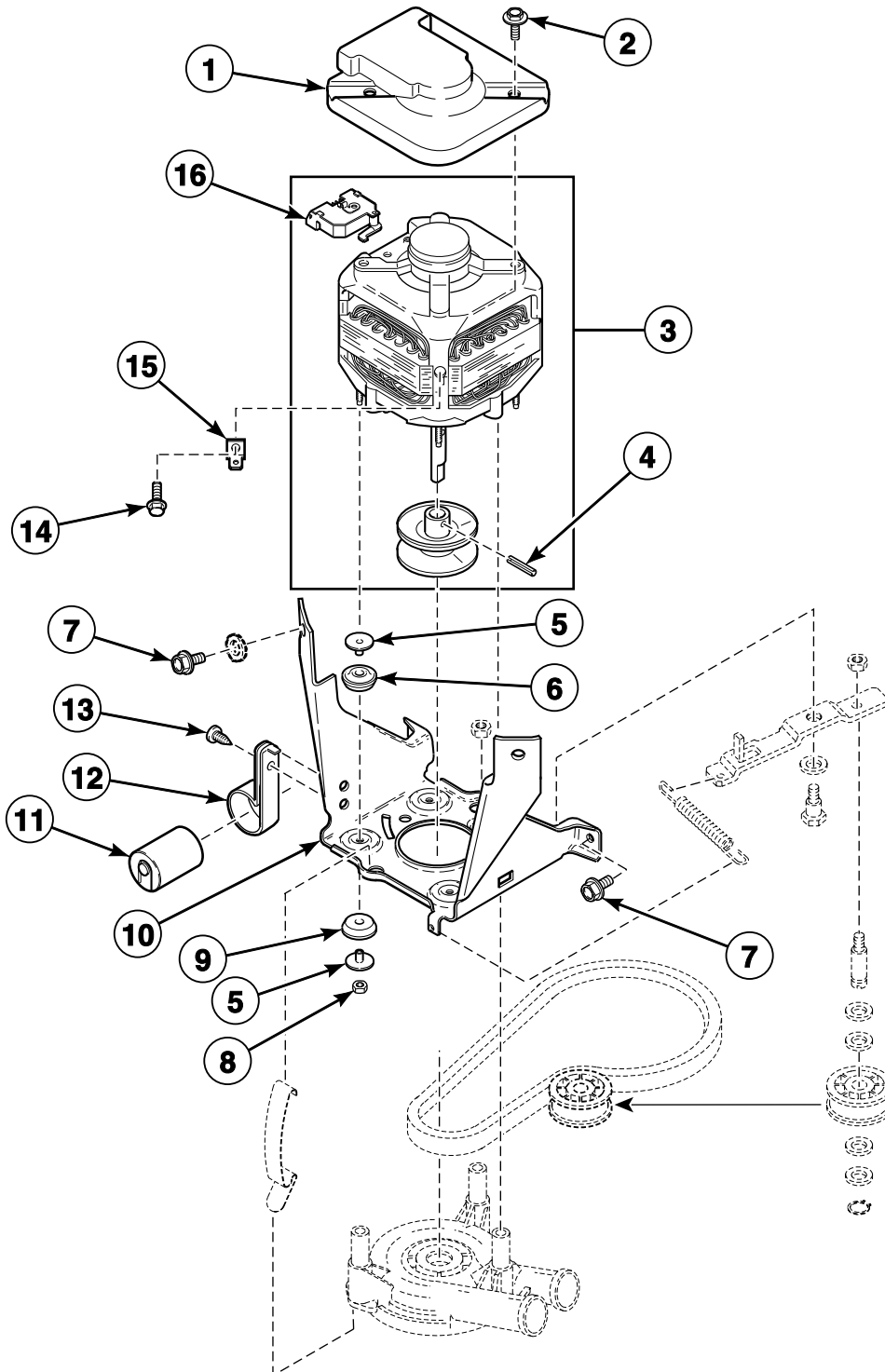
## Belt, Pump and Idler Assembly (Drawing 2 of 4)

REF	PART NO.	DESCRIPTION	COMMENTS
1	52566	Nut	
2	202032	Idler Lever Spring	All models with the letter "N" in the 8th character of the model number ; Models through Serial Nos. beginning 0401 and starting again at Serial No. 0402011701; Use on units experiencing low RPM
	39666	Idler Lever Spring	All other models
3	28803	Nut	
4	38011	Idler Lever	
5	81392	Washer	
6	27229	Screw	
7	56461P	Shaft	Models through Serial No. 0107000541
	210186	Idler Shaft	Models starting Serial No. 0107000542
8	504082	Washer	Models starting Serial No. 0107000542
9	52549	Washer	Nylatron
10	23748	Retaining Ring	
11	38225P	Idler Pulley	
12	34565	Screw	Models through Serial No. 0204010658
13	201566P	Pump	
	201442P	Pump Assembly	Heavy duty
14	210202	Spring Clip	Models starting Serial No. 0204010659
15	38749	Agitate and Spin Belt	Models SWT011*A3050, SWT111*A3050 and SWT421*A3050
	39435	Agitate and Spin Belt	Model SWT111*M99K5
	200923	Agitate and Spin Belt	All other models
16	202972	Idler Lever and Belt Kit	Models JWT810*N3050, JWT820*N3050, JWT910*N3050, JWT920*N3050, SWT011*M3050, SWT011*N3050, SWT111*M3050, SWT111*N3050, SWT211*N3050, SWT421*M3050, SWT811*N3050, SWT910*N3050, SWT911*N3050, SWTA21*M3050, SWTA21*N3050, SWTF21*M3050, SWTF21*N3050, SWTX21*M3050 and SWTX21*N3050

\* Add Letter To Designate Color. L - Almond Q - Bisque W - White

# Motor and Mounting Bracket Assembly (Drawing 3 of 3)

All Models Except HWNSX1SP301UW09, HWT011\*B3073, HWT111\*B3069, HWT211\*B3020, HWT211\*M3020, HWT211\*N3020, HWT220\*M3020, HWT911\*N3020, HWTX21\*M3020, HWTX21\*M3022, HWTX21\*N3020, HWTX21\*N3022, JWT810\*N3020, JWT810\*N3050, JWT820\*N3050, JWT910\*N3020, JWT910\*N3050, JWT910\*N3069, JWT920\*N3050, SWT011\*A3028, SWT011\*A3050, SWT011\*M3050, SWT011\*N3028, SWT011\*N3050, SWT111\*A3028, SWT111\*A3050, SWT111\*B3069, SWT111\*M3050, SWT111\*M3069, SWT111\*M99K5, SWT111\*N3028, SWT111\*N3050, SWT111\*N3069, SWT211\*A3020, SWT211\*B3020, SWT211\*M3020, SWT211\*N3020, SWT211\*N3050, SWT421\*A3050, SWT421\*M3050, SWT811\*N3050, SWT910\*N3050, SWT911\*N3020, SWT911\*N3050, SWT911\*N3069, SWTA21\*M3050, SWTA21\*N3050, SWTF21\*M3050, SWTF21\*N3050, SWTX21\*M3020, SWTX21\*M3022, SWTX21\*M3050, SWTX21\*M3069, SWTX21\*N3020, SWTX21\*N3022, SWTX21\*N3050, SWTX21\*N3069 and UWT011\*A3025



TLW1653P\_39202

## Motor and Mounting Bracket Assembly (Drawing 3 of 3)

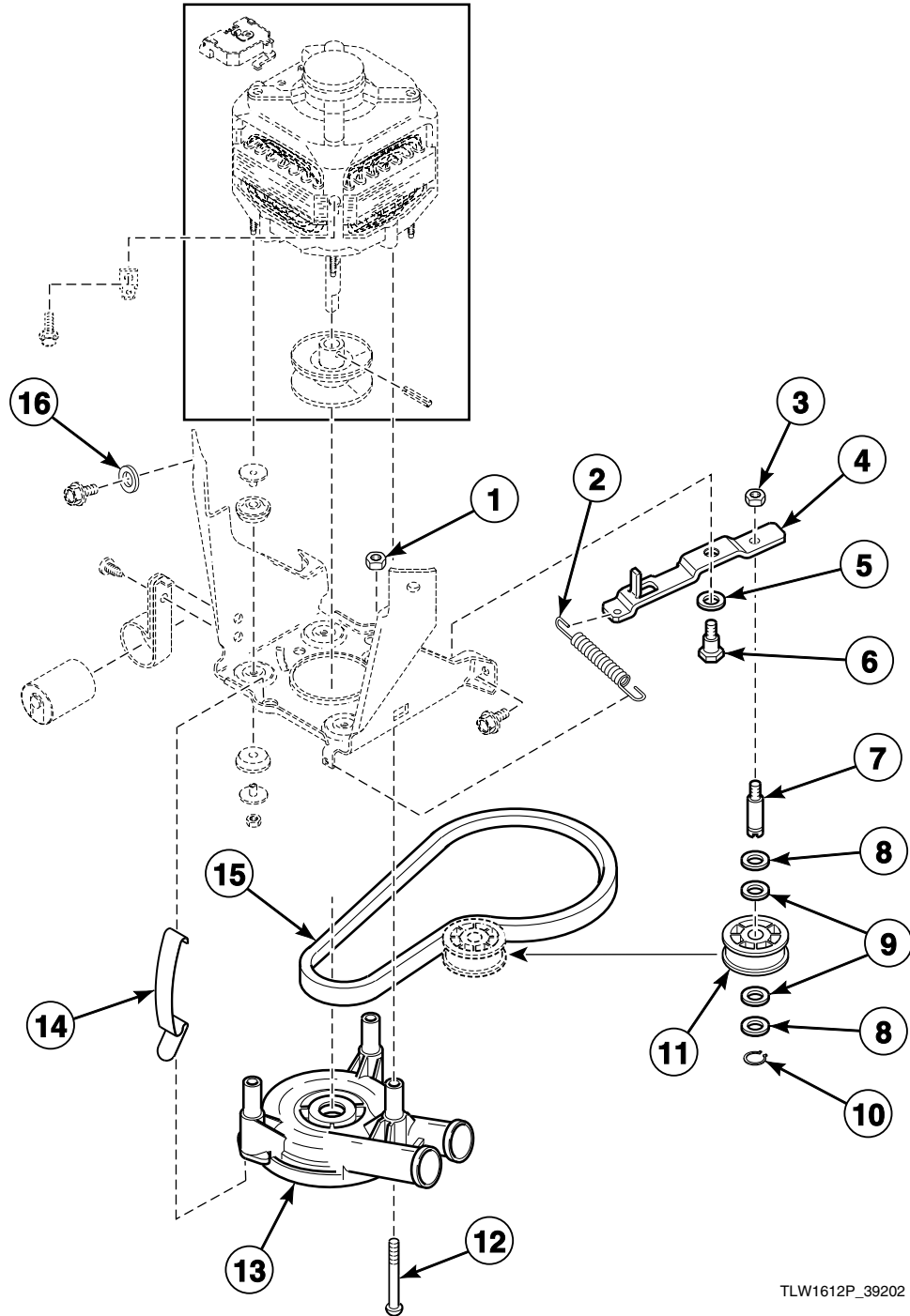
REF	PART NO.	DESCRIPTION	COMMENTS
1	35886	Motor Shield	Models SWT011*A3062 and SWT211*A3062
	34754	Motor Shield	All other models
2	36639	Screw	
3	35030P	Motor Assembly	240 Volt/50 or 60 Hertz, 1 speed; Models SWNSX1SP541NQ23 and SWNSX1SP541NW23; Models with suffix 5400, 5412, 5417 or 5422
	38034P	Motor Kit	115 Volt/60 Hertz; 2 speed models with suffix 1102 or 1127
	38035P	Motor Kit	115 Volt/60 Hertz; 1 speed models with suffix 1102
	200646P	Motor Assembly	100 Volt/50 Hertz, 1 speed; Models SWT111*A1300, SWT111*M1300 and SWT211*A1300
	N/A	Motor Kit	100 Volt/60 Hertz, 1 speed; Models SWT111*A1200, SWT111*M1200 and SWT211*A1200
	835P3	Motor Kit	240 Volt/50 Hertz, 1 speed; Models HWT111*M3000, SWT011*M3000, SWT011*M3022, SWT111*M3000, SWT111*M3022, SWT211*M3000 and SWT211*M3022 through Serial No. 0210018190; Models HWT111*A3000, HWT111*C3000, HWT211*A3000, HWT211*C3000, SWT011*A3000, SWT011*A3022, SWT011*A3062, SWT011*N3062, SWT111*A3000, SWT111*A3022, SWT211*A3000, SWT211*A3022, SWT211*A3062, SWT211*N3062, SWT811*N3062, SWT911*N3028, SWT911*N3062, UWT011*A3022 and UWT011*M3022
	200648P	Motor Assembly	230 Volt/50 Hertz, 1 speed; Models HWT111*M3000, SWT011*M3000, SWT011*M3022, SWT111*M3000, SWT111*M3022, SWT211*M3000 and SWT211*M3022 starting Serial No. 0210018191; Models SWT011*N3000, SWT011*N3022, SWT111*N3000, SWT111*N3022, SWT211*N3000, SWT211*N3022, SWT811*N3000, SWT811*N3022, SWT911*N3000 and SWT911*N3022
201433P	Motor Kit	240 Volt/50 Hertz, 2 speed; Models HWT220*M3000, NWT821*N3022, NWT921*N3022, SWT121*A3000, SWT121*M3000, SWT421*A3000, SWT421*A3022, SWT421*A3028, SWT421*M3000, SWT421*M3022, SWTA21*M3022, SWTX21*M3000 and SWTX21*N3000	
4	10416	Roll Pin	Models through Serial No. 0011013645
5	38325	Isolator Post	
6	38395	Motor Mount	
7	35369	Screw	
8	685846	Nut	
9	38396	Motor Mount	
10	200941	Motor Mount Bracket	
11	37377	Capacitor	Models with suffix 1102 or 1127
	39259P	Capacitor and Clamp Kit	Models HWT111*M3000, SWT011*A3062, SWT011*M3000, SWT011*M3022, SWT111*M3000, SWT111*M3022, SWT211*A3062, SWT211*M3000 and SWT211*M3022 starting Serial No. 0210018191; Models SWT011*N3000, SWT011*N3022, SWT011*N3062, SWT111*N3000, SWT111*N3022, SWT211*N3000, SWT211*N3022, SWT211*N3062, SWT811*N3000, SWT811*N3022, SWT811*N3062, SWT911*N3000, SWT911*N3022, SWT911*N3028 and SWT911*N3062
12	37535	Capacitor Clamp	Use with item 11
13	52909	Screw	Use with item 11
14	20530	Screw	Use with item 15
15	00177	Male Tab Terminal	Models SWT011*A3062 and SWT211*A3062 starting Serial No. 0210018191; Models SWT011*N3062, SWT211*N3062, SWT811*N3062, SWT911*N3028 and SWT911*N3062
16	N/A	Motor Switch	

\* Add Letter To Designate Color. L - Almond Q - Bisque W - White

N/A = Part no longer available

# Belt, Pump and Idler Assembly (Drawing 3 of 4)

All Models Except HWNSX1SP301UW09, HWT011\*B3073, HWT111\*B3069, HWT211\*B3020, HWT211\*M3020, HWT211\*N3020, HWT220\*M3020, HWT911\*N3020, HWTX21\*M3020, HWTX21\*M3022, HWTX21\*N3020, HWTX21\*N3022, JWT810\*N3020, JWT810\*N3050, JWT820\*N3050, JWT910\*N3020, JWT910\*N3050, JWT910\*N3069, JWT920\*N3050, SWT011\*A3028, SWT011\*A3050, SWT011\*M3050, SWT011\*N3028, SWT011\*N3050, SWT111\*A3028, SWT111\*A3050, SWT111\*B3069, SWT111\*M3050, SWT111\*M3069, SWT111\*M99K5, SWT111\*N3028, SWT111\*N3050, SWT111\*N3069, SWT211\*A3020, SWT211\*B3020, SWT211\*M3020, SWT211\*N3020, SWT211\*N3050, SWT421\*A3050, SWT421\*M3050, SWT811\*N3050, SWT910\*N3050, SWT911\*N3020, SWT911\*N3050, SWT911\*N3069, SWTA21\*M3050, SWTA21\*N3050, SWTF21\*M3050, SWTF21\*N3050, SWTX21\*M3020, SWTX21\*M3022, SWTX21\*M3050, SWTX21\*M3069, SWTX21\*N3020, SWTX21\*N3022, SWTX21\*N3050, SWTX21\*N3069 and UWT011\*A3025



TLW1612P\_39202

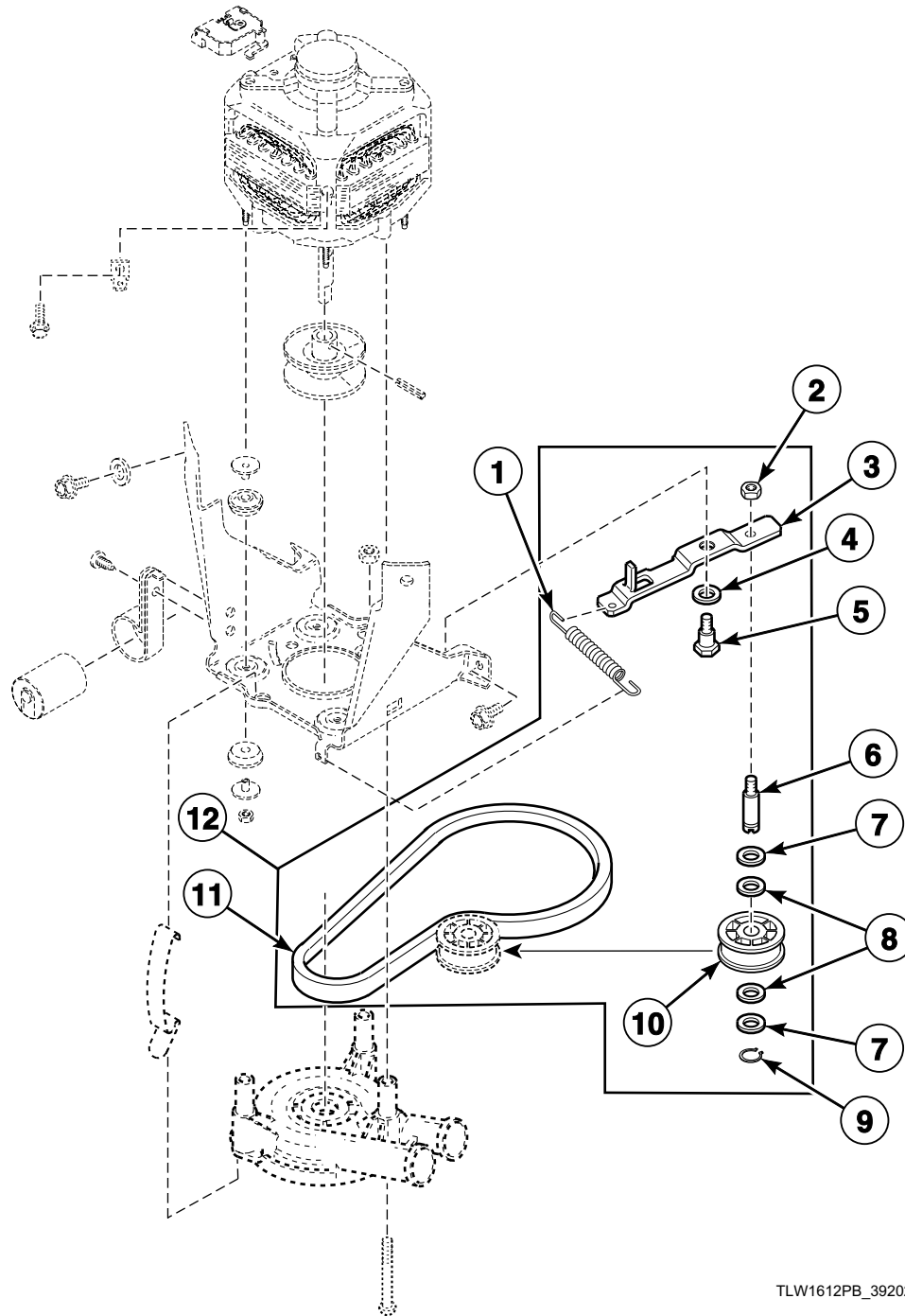
## Belt, Pump and Idler Assembly (Drawing 3 of 4)

REF	PART NO.	DESCRIPTION	COMMENTS
1	52566	Nut	
2	202032	Idler Lever Spring	Models NWNBX2SP301NW22, SWNSX1SP541NQ23 and SWNSX1SP541NW23; All 50 Hertz models with the letter "N" in the 8th character of the model number through Serial Nos. beginning 0401 and starting again at Serial No. 0402011701; All 60 Hertz model numbers with the letter "N" in the 8th character of the model number through Serial Nos. beginning 0401 and starting again at Serial Nos. beginning 0404; Use on units experiencing low RPM
	39666	Idler Lever Spring	All other models
3	28803	Nut	
4	38011	Idler Lever	
5	81392	Washer	
6	27229	Screw	
7	56461P	Shaft	Models through Serial No. 0107000541
	210186	Idler Shaft	Models starting Serial No. 0107000542
8	504082	Washer	Models starting Serial No. 0107000542
9	52549	Washer	Nylatron
10	23748	Retaining Ring	
11	38225P	Idler Pulley	
12	34565	Screw	Models through Serial No. 0204010658
13	201566P	Pump	
	201442P	Pump Assembly	Heavy duty
14	210202	Spring Clip	Models starting Serial No. 0204010659
15	38174	Agitate and Spin Belt	Models BWT820*N1102, BWT920*N1102, HWLX21*N1102, HWT021*M1102, HWT021*N1102, HWT111*M1102, HWT111*N1102, HWT121*M1102, HWT121*N1102, HWT210*M1102, HWT210*N1102, HWT220*M1102, HWT221*M1102, HWT221*N1102, HWT221*N1127, HWT821*N1102, HWT911*N1102, HWT921*N1102, HWT921*N1127, HWTB21*M1102, HWTB21*N1102, HWTf21*M1102, HWTf21*N1102, HWTR21*N1102, HWTT21*N1102, HWTX21*N1102, HWTY21*M1102, HWTY21*N1102, HWTZ21*M1102, HWTZ21*N1102, JWT810*N5400, NWT811*N5422, NWT911*N5422, SWNSX1SP541NQ23, SWNSX1SP541NW23, SWT111*M1200, SWT111*M5412, SWT111*N5412, SWT111*N5417, SWT911*N5412, SWTX21*N1127 and UWT821*N1102
	38749	Agitate and Spin Belt	Models HWT111*A3000, HWT111*C3000, HWT211*A3000, HWT211*C3000, SWT011*A3000, SWT011*A3022, SWT111*A1300, SWT111*A3000, SWT111*A3022, SWT111*M1300, SWT121*A3000, SWT211*A1300, SWT211*A3000, SWT211*A3022, SWT421*A3000, SWT421*A3022 and UWT011*A3022
	200923	Agitate and Spin Belt	Models HWT111*M3000, HWT211*M3000, HWT220*M3000, NWNBX2SP301NW22, NWT821*N3022, NWT921*N3022, SWT011*A3062, SWT011*M3000, SWT011*M3022, SWT011*N3000, SWT011*N3022, SWT011*N3062, SWT111*M3000, SWT111*M3022, SWT111*N3000, SWT111*N3022, SWT121*M3000, SWT211*A3062, SWT211*M3000, SWT211*M3022, SWT211*N3000, SWT211*N3022, SWT211*N3062, SWT421*A3028, SWT421*M3000, SWT421*M3022, SWT811*N3000, SWT811*N3022, SWT811*N3062, SWT911*N3000, SWT911*N3022, SWT911*N3028, SWT911*N3062, SWTA21*M3022, SWTX21*M3000, SWTX21*N3000 and UWT011*M3022
	37820	Agitate and Spin Belt	All other models
16	37772	Washer	

\* Add Letter To Designate Color. L - Almond Q - Bisque W - White

# Belt, Pump and Idler Assembly (Drawing 4 of 4)

All Models Except HWNSX1SP301UW09, HWT011\*B3073, HWT111\*B3069, HWT211\*B3020, HWT211\*M3020, HWT211\*N3020, HWT220\*M3020, HWT911\*N3020, HWTX21\*M3020, HWTX21\*M3022, HWTX21\*N3020, HWTX21\*N3022, JWT810\*N3020, JWT810\*N3050, JWT820\*N3050, JWT910\*N3020, JWT910\*N3050, JWT910\*N3069, JWT920\*N3050, SWT011\*A3028, SWT011\*A3050, SWT011\*M3050, SWT011\*N3028, SWT011\*N3050, SWT111\*A3028, SWT111\*A3050, SWT111\*B3069, SWT111\*M3050, SWT111\*M3069, SWT111\*M99K5, SWT111\*N3028, SWT111\*N3050, SWT111\*N3069, SWT211\*A3020, SWT211\*B3020, SWT211\*M3020, SWT211\*N3020, SWT211\*N3050, SWT421\*A3050, SWT421\*M3050, SWT811\*N3050, SWT910\*N3050, SWT911\*N3020, SWT911\*N3050, SWT911\*N3069, SWTA21\*M3050, SWTA21\*N3050, SWTF21\*M3050, SWTF21\*N3050, SWTX21\*M3020, SWTX21\*M3022, SWTX21\*M3050, SWTX21\*M3069, SWTX21\*N3020, SWTX21\*N3022, SWTX21\*N3050, SWTX21\*N3069 and UWT011\*A3025



TLW1612PB\_39202



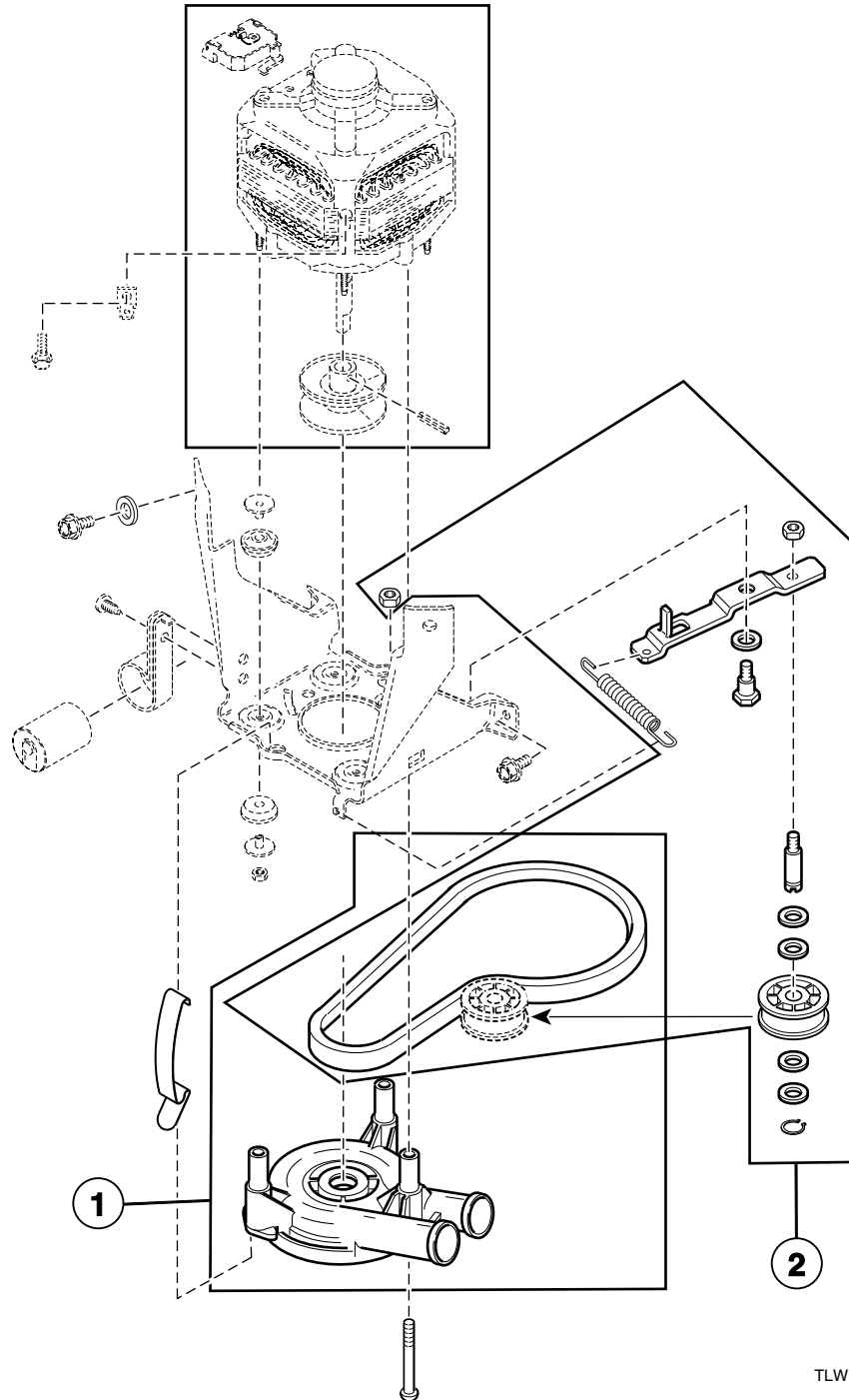
## Belt, Pump and Idler Assembly (Drawing 4 of 4)

REF	PART NO.	DESCRIPTION	COMMENTS
1	202032	Idler Lever Spring	Models NWNBX2SP301NW22, SWNSX1SP541NQ23 and SWNSX1SP541NW23; All 50 Hertz models with the letter "N" in the 8th character of the model number through Serial Nos. beginning 0401 and starting again at Serial No. 0402011701; All 60 Hertz model numbers with the letter "N" in the 8th character of the model number through Serial Nos. beginning 0401 and starting again at Serial Nos. beginning 0404; Use on units experiencing low RPM
	39666	Idler Lever Spring	All other models
2	28803	Nut	
3	38011	Idler Lever	
4	81392	Washer	
5	27229	Screw	
6	56461P	Shaft	Models through Serial No. 0107000541
	210186	Idler Shaft	Models starting Serial No. 0107000542
7	504082	Washer	Models starting Serial No. 0107000542
8	52549	Washer	Nylatron
9	23748	Retaining Ring	
10	38225P	Idler Pulley	
11	38174	Agitate and Spin Belt	Models BWT820*N1102, BWT920*N1102, HWLX21*N1102, HWT021*M1102, HWT021*N1102, HWT111*M1102, HWT111*N1102, HWT121*M1102, HWT121*N1102, HWT210*M1102, HWT210*N1102, HWT220*M1102, HWT221*M1102, HWT221*N1102, HWT221*N1127, HWT821*N1102, HWT911*N1102, HWT921*N1102, HWT921*N1127, HWTB21*M1102, HWTB21*N1102, HWTF21*M1102, HWTF21*N1102, HWTR21*N1102, HWTT21*N1102, HWTX21*N1102, HWTY21*M1102, HWTY21*N1102, HWTZ21*M1102, HWTZ21*N1102, JTW810*N5400, NWT811*N5422, NWT911*N5422, SWNSX1SP541NQ23, SWNSX1SP541NW23, SWT111*M1200, SWT111*M5412, SWT111*N5412, SWT111*N5417, SWT911*N5412, SWTX21*N1127 and UWT821*N1102
	38749	Agitate and Spin Belt	Models HWT111*A3000, HWT111*C3000, HWT211*A3000, HWT211*C3000, SWT011*A3000, SWT011*A3022, SWT111*A1300, SWT111*A3000, SWT111*A3022, SWT111*M1300, SWT121*A3000, SWT211*A1300, SWT211*A3000, SWT211*A3022, SWT421*A3000, SWT421*A3022 and UWT011*A3022
	200923	Agitate and Spin Belt	Models HWT111*M3000, HWT211*M3000, HWT220*M3000, NWNBX2SP301NW22, NWT821*N3022, NWT921*N3022, SWT011*A3062, SWT011*M3000, SWT011*M3022, SWT011*N3000, SWT011*N3022, SWT011*N3062, SWT111*M3000, SWT111*M3022, SWT111*N3000, SWT111*N3022, SWT121*M3000, SWT211*A3062, SWT211*M3000, SWT211*M3022, SWT211*N3000, SWT211*N3022, SWT211*N3062, SWT421*A3028, SWT421*M3000, SWT421*M3022, SWT811*N3000, SWT811*N3022, SWT811*N3062, SWT911*N3000, SWT911*N3022, SWT911*N3028, SWT911*N3062, SWTA21*M3022, SWTX21*M3000, SWTX21*N3000 and UWT011*M3022
	37820	Agitate and Spin Belt	All other models
12	202972	Idler Lever and Belt Kit	Models HWT111*M3000, HWT211*M3000, HWT220*M3000, NWNBX2SP301NW22, NWT821*N3022, NWT921*N3022, SWT011*A3062, SWT011*M3000, SWT011*M3022, SWT011*N3000, SWT011*N3022, SWT011*N3062, SWT111*M3000, SWT111*M3022, SWT111*N3000, SWT111*N3022, SWT121*M3000, SWT211*A3062, SWT211*M3000, SWT211*M3022, SWT211*N3000, SWT211*N3022, SWT211*N3062, SWT421*A3028, SWT421*M3000, SWT421*M3022, SWT811*N3000, SWT811*N3022, SWT811*N3062, SWT911*N3000, SWT911*N3022, SWT911*N3028, SWT911*N3062, SWTA21*M3022, SWTX21*M3000, SWTX21*N3000 and UWT011*M3022

\* Add Letter To Designate Color. L - Almond Q - Bisque W - White

## Belt, Pump and Idler Kits (Drawing 1 of 2)

Models BWT820\*N1102, BWT920\*N1102, HWLX21\*N1102, HWT021\*A1102, HWT021\*C1102, HWT021\*M1102, HWT021\*N1102, HWT111\*A1102, HWT111\*C1102, HWT111\*M1102, HWT111\*N1102, HWT121\*A1102, HWT121\*C1102, HWT121\*M1102, HWT121\*N1102, HWT210\*A1102, HWT210\*C1102, HWT210\*M1102, HWT210\*N1102, HWT211\*C1102, HWT220\*A1102, HWT220\*C1102, HWT220\*M1102, HWT221\*A1102, HWT221\*C1102, HWT221\*M1102, HWT221\*N1102, HWT221\*N1127, HWT521\*A1102, HWT521\*C1102, HWT621\*A1102, HWT621\*C1102, HWT721\*A1102, HWT721\*C1102, HWT821\*N1102, HWT911\*N1102, HWT921\*N1102, HWT921\*N1127, HWTB21\*M1102, HWTB21\*N1102, HWTF21\*M1102, HWTF21\*N1102, HWTR21\*N1102, HWTT21\*N1102, HWTX21\*N1102, HWTY21\*M1102, HWTY21\*N1102, HWTZ21\*M1102, HWTZ21\*N1102, JWT810\*N5400, NWT811\*N5422, NWT911\*N5422, SWNSX1SP541NQ23, SWNSX1SP541NW23, SWT111\*A1200, SWT111\*A5412, SWT111\*M1200, SWT111\*M5412, SWT111\*N5412, SWT111\*N5417, SWT211\*A1200, SWT911\*N5412, SWTX21\*N1127 and UWT821\*N1102



TLW1612PA\_39202

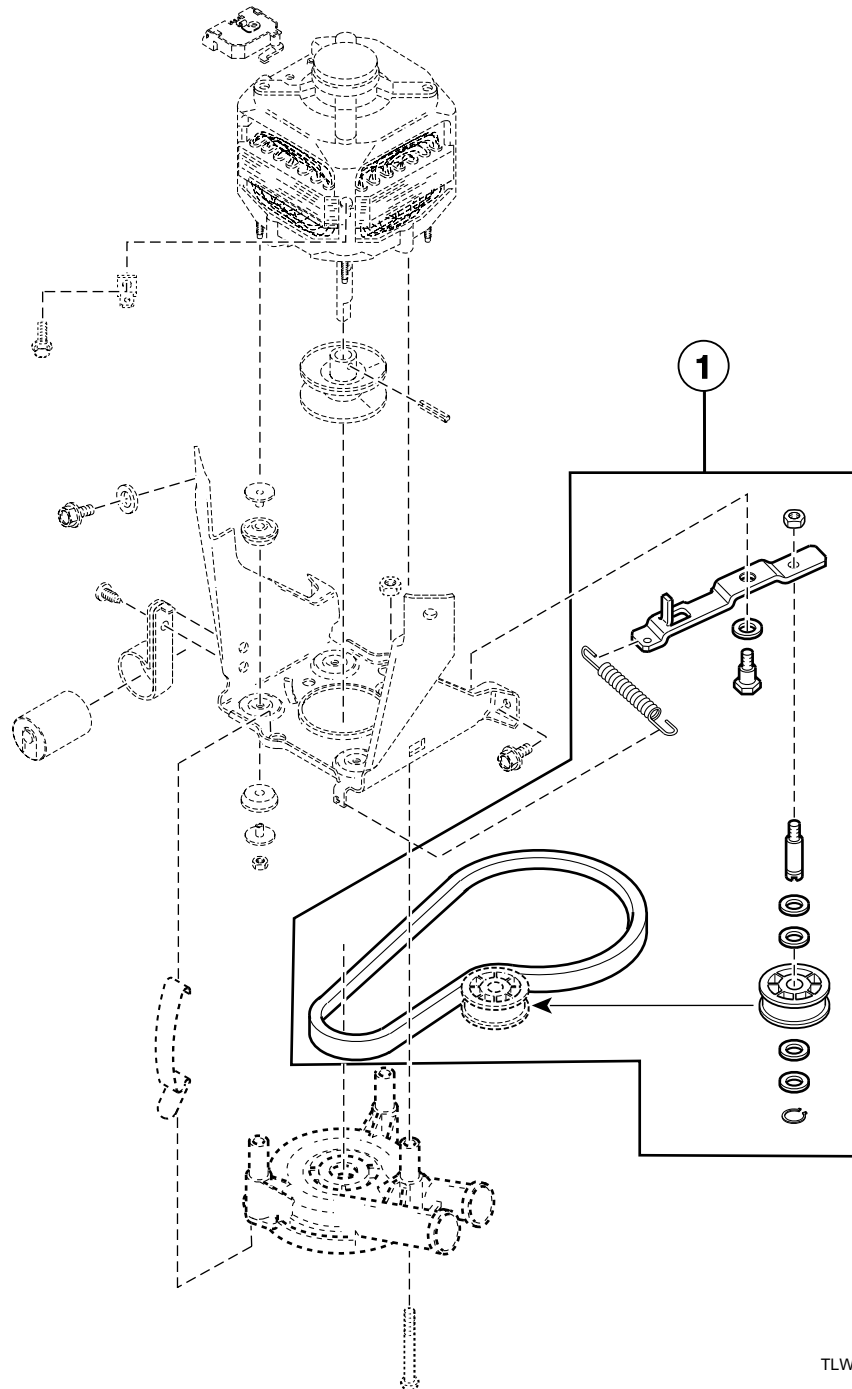
## Belt, Pump and Idler Kits (Drawing 1 of 2)

REF	PART NO.	DESCRIPTION	COMMENTS
1	RB150003	Belt and Pump Kit	Models BWT820*N1102, BWT920*N1102, HWLX21*N1102, HWT021*M1102, HWT021*N1102, HWT111*M1102, HWT111*N1102, HWT121*M1102, HWT121*N1102, HWT210*M1102, HWT210*N1102, HWT220*M1102, HWT221*M1102, HWT221*N1102, HWT221*N1127, HWT821*N1102, HWT911*N1102, HWT921*N1102, HWT921*N1127, HWTB21*M1102, HWTB21*N1102, HWTF21*M1102, HWTF21*N1102, HWTR21*N1102, HWTT21*N1102, HWTX21*N1102, HWTY21*M1102, HWTY21*N1102, HWTZ21*M1102, HWTZ21*N1102, JWT810*N5400, NWT811*N5422, NWT911*N5422, SWNSX1SP541NQ23, SWNSX1SP541NW23, SWT111*M1200, SWT111*M5412, SWT111*N5412, SWT111*N5417, SWT911*N5412, SWTX21*N1127 and UWT821*N1102
	RB150002	Belt and Pump Kit	All other models
2	959P3	Idler Lever Kit	Models BWT820*N1102, BWT920*N1102, HWLX21*N1102, HWT021*N1102, HWT111*N1102, HWT121*N1102, HWT210*N1102, HWT221*N1102, HWT221*N1127, HWT821*N1102, HWT911*N1102, HWT921*N1102, HWT921*N1127, HWTB21*N1102, HWTF21*N1102, HWTR21*N1102, HWTT21*N1102, HWTX21*N1102, HWTY21*N1102, HWTZ21*N1102, JWT810*N5400, NWT811*N5422, NWT911*N5422, SWNSX1SP541NQ23, SWNSX1SP541NW23, SWT111*N5412, SWT111*N5417, SWT911*N5412, SWTX21*N1127 and UWT821*N1102; Includes items 1-11 and 15 on <i>Belt, Pump and Idler Assembly (Drawing 3 of 3)</i>

\* Add Letter To Designate Color. L - Almond Q - Bisque W - White

## Belt, Pump and Idler Kits (Drawing 2 of 2)

Models BWT820\*N1102, BWT920\*N1102, HWLX21\*N1102, HWT021\*A1102, HWT021\*C1102, HWT021\*M1102, HWT021\*N1102, HWT111\*A1102, HWT111\*C1102, HWT111\*M1102, HWT111\*N1102, HWT121\*A1102, HWT121\*C1102, HWT121\*M1102, HWT121\*N1102, HWT210\*A1102, HWT210\*C1102, HWT210\*M1102, HWT210\*N1102, HWT211\*C1102, HWT220\*A1102, HWT220\*C1102, HWT220\*M1102, HWT221\*A1102, HWT221\*C1102, HWT221\*M1102, HWT221\*N1102, HWT221\*N1127, HWT521\*A1102, HWT521\*C1102, HWT621\*A1102, HWT621\*C1102, HWT721\*A1102, HWT721\*C1102, HWT821\*N1102, HWT911\*N1102, HWT921\*N1102, HWT921\*N1127, HWTB21\*M1102, HWTB21\*N1102, HWTF21\*M1102, HWTF21\*N1102, HWTR21\*N1102, HWTT21\*N1102, HWTX21\*N1102, HWTY21\*M1102, HWTY21\*N1102, HWTZ21\*M1102, HWTZ21\*N1102, JWT810\*N5400, NWT811\*N5422, NWT911\*N5422, SWNSX1SP541NQ23, SWNSX1SP541NW23, SWT111\*A1200, SWT111\*A5412, SWT111\*M1200, SWT111\*M5412, SWT111\*N5412, SWT111\*N5417, SWT211\*A1200, SWT911\*N5412, SWTX21\*N1127 and UWT821\*N1102



TLW1612PC\_39202

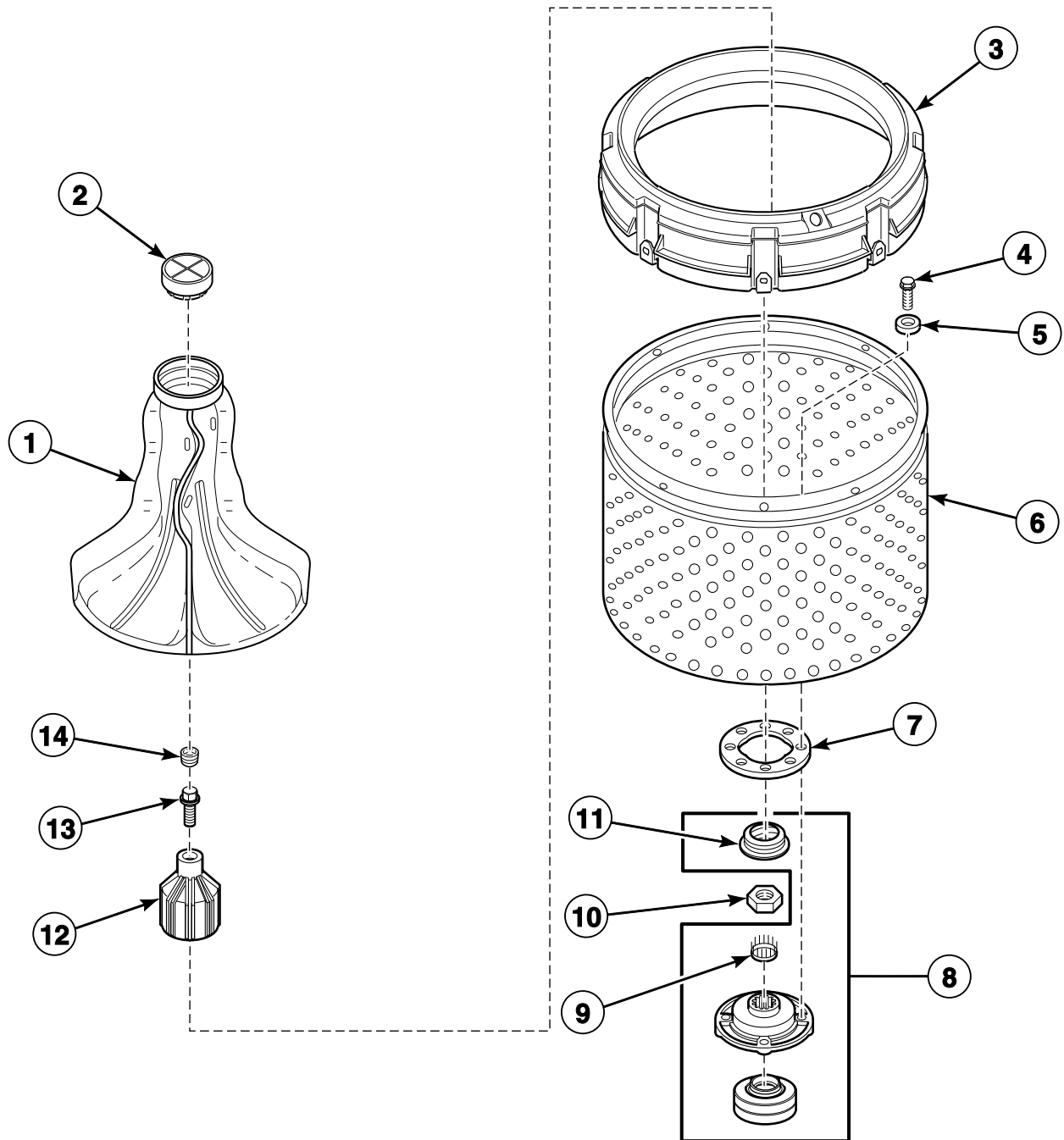
## Belt, Pump and Idler Kits (Drawing 2 of 2)

REF	PART NO.	DESCRIPTION	COMMENTS
1	202972	Idler Lever and Belt Kit	

\* Add Letter To Designate Color. L - Almond Q - Bisque W - White

# Agitator, Drive Bell, Hub and Lip Seal Kit and Washtub

Model SWT111\*M99K5 and All Models with the Letter "N" in the Third or Eighth Character of the Model Number



TLW1483P\_39202

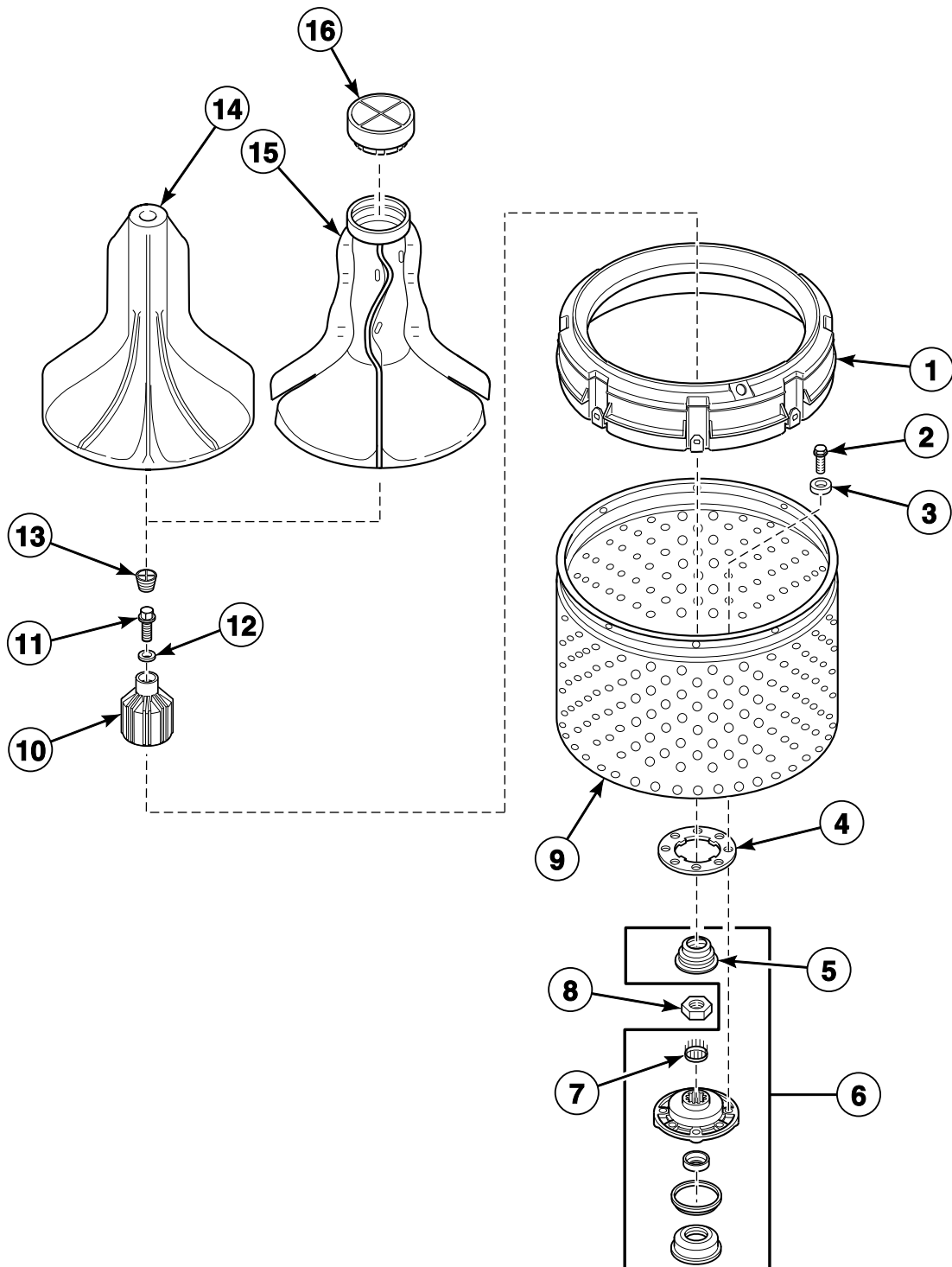
## Agitator, Drive Bell, Hub and Lip Seal Kit and Washtub

REF	PART NO.	DESCRIPTION	COMMENTS
1	36507	Flex Vane Agitator	Models SWT011*N3062, SWT211*N3062, SWT811*N3062 and SWT911*N3062
	33174	Agitator	All other models
2	36515	Agitator Cap	
3	39836	Balance Ring Assembly	
4	27202	Screw	
5	28094	Washer	Rubber; Use with porcelain washtub
6	39252P	Tub Assembly	Blue porcelain; Models BWT820*N1102, BWT920*N1102, HWT210*N1102, JWT810*N3020, JWT810*N3050, JWT810*N5400, JWT820*N3050, JWT910*N3020, JWT910*N3050, JWT910*N3069, JWT920*N3050 and SWT910*N3050
	719P3	Washtub Kit	Stainless steel; Model HWLX21*N1102
	39387P	Tub Assembly	Stainless steel; All other models
7	39122	Washtub Gasket	
8	766P3A	Hub and Lip Seal Kit	DO NOT use any sealant other than 200996P Sealant; Includes item 12 and installation tool
	200996P	Sealant	Use with hub and lip seal kit
9	29728	Spline Insert	
10	29220	Nut	
11	36425	Bell and Transmission Tube Seal	
12	39508P	Drive Bell and Seal Kit	Includes items 11, 13 and 14
13	39432	Screw	
14	36511	Bell Plug	

\* Add Letter To Designate Color. L - Almond Q - Bisque W - White

# Agitator, Drive Bell, Hub and Seal Kit and Washtub

All Models Except SWT111\*M99K5 and Models with the Letter "N" in the Third or Eighth Character of the Model Number



W398P\_39202



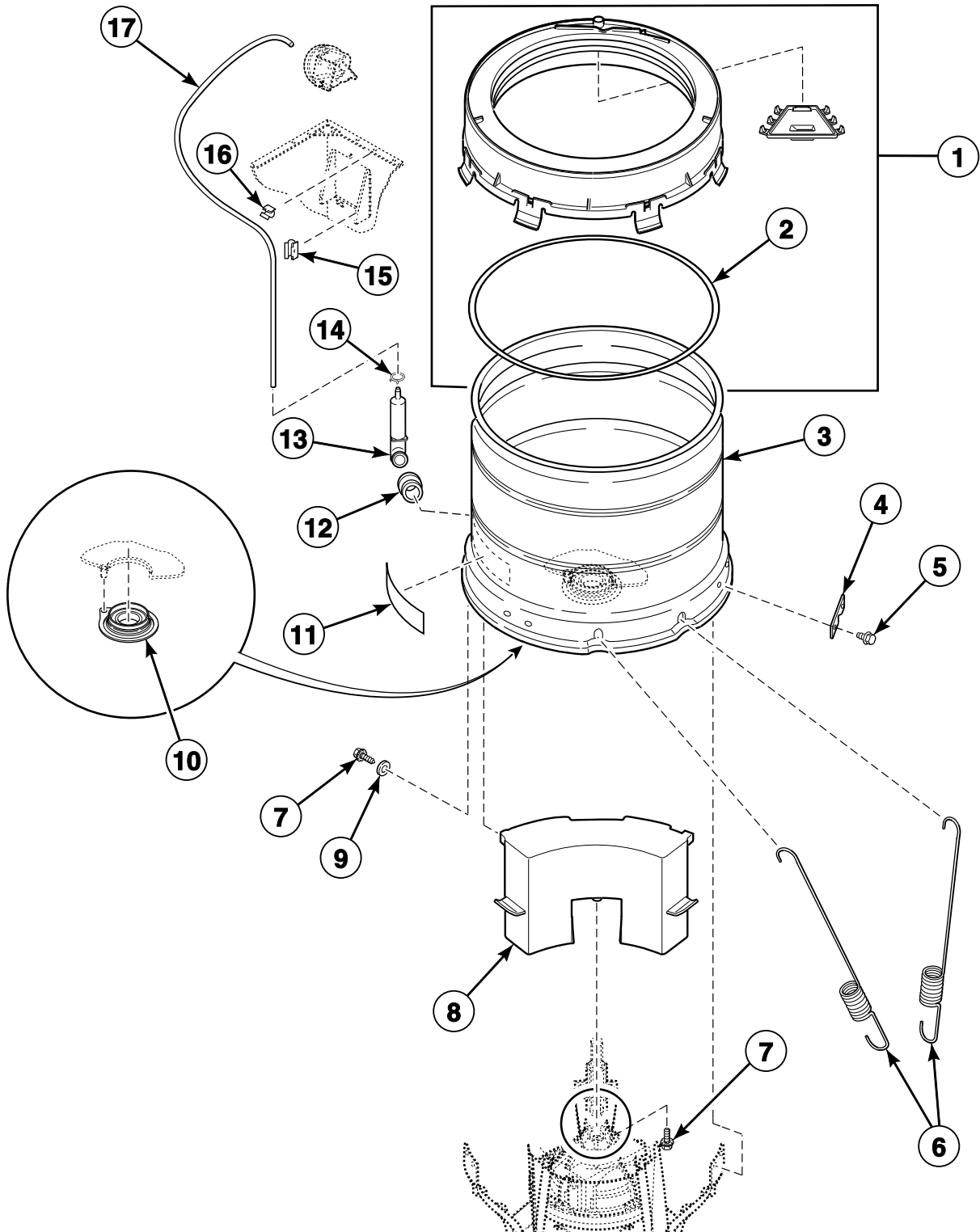
## Agitator, Drive Bell, Hub and Seal Kit and Washtub

REF	PART NO.	DESCRIPTION	COMMENTS
1	39836	Balance Ring Assembly	
2	27202	Screw	
3	28094	Washer	Rubber; Use with porcelain washtub
4	39122	Washtub Gasket	
5	36425	Bell and Transmission Tube Seal	
	36765P	Grease	Use with 36425 Bell and Transmission Tube Seal
6	646P3	Hub and Seal Kit	Includes 38359 Tub Cover Gasket and item 10
7	29728	Spline Insert	
8	29220	Nut	
9	39252P	Tub Assembly	Blue porcelain; Models HWT210*A1102, HWT210*C1102, HWT210*M1102, HWT220*A1102, HWT220*M1102, HWT220*M3000 and HWT220*M3020
	39387P	Tub Assembly	Stainless steel; All other models
10	39508P	Drive Bell and Seal Kit	Replaces 36443P Drive Bell and Seal Kit; Includes items 5, 11 and 13
11	39432	Screw	
12	36472	O-Ring	
13	36511	Bell Plug	
14	33513	Agitator	Models HWT011*B3073, HWT021*A1102, HWT021*C1102, HWT111*A1102, HWT111*A3000, HWT111*B3069, HWT111*C1102, HWT111*C3000, HWT121*A1102, HWT121*C1102, HWT210*A1102, HWT210*C1102, HWT211*A3000, HWT211*B3020, HWT211*C1102, HWT211*C3000, HWT220*A1102, HWT220*C1102, HWT221*A1102, HWT221*C1102, HWT521*A1102, HWT521*C1102, HWT621*A1102, HWT621*C1102, HWT721*A1102, HWT721*C1102, SWT011*A3022, SWT011*A3050, SWT111*A1200, SWT111*A1300, SWT111*A3000, SWT111*A3022, SWT111*A3050, SWT111*A5412, SWT111*B3069, SWT121*A3000, SWT211*A1200, SWT211*A1300, SWT211*A3020, SWT211*A3022, SWT211*B3020, SWT421*A3000, SWT421*A3022, SWT421*A3050 and UWT011*A3022
15	36507	Flex Vane Agitator	Models SWT011*A3000, SWT011*A3062, SWT211*A3000 and SWT211*A3062 starting Serial No. 9805036741
	33174	Agitator	Models HWT021*M1102, HWT111*M1102, HWT111*M3000, HWT121*M1102, HWT210*M1102, HWT211*M3000, HWT211*M3020, HWT220*M1102, HWT220*M3000, HWT220*M3020, HWT221*M1102, HWTB21*M1102, HWTF21*M1102, HWTX21*M3020, HWTX21*M3022, HWTY21*M1102, HWTZ21*M1102, SWT011*A3028, SWT011*M3000, SWT011*M3022, SWT011*M3050, SWT111*A3028, SWT111*M1200, SWT111*M1300, SWT111*M3000, SWT111*M3022, SWT111*M3050, SWT111*M3069, SWT111*M5412, SWT121*M3000, SWT211*M3000, SWT211*M3020, SWT211*M3022, SWT421*A3028, SWT421*M3000, SWT421*M3022, SWT421*M3050, SWTA21*M3022, SWTA21*M3050, SWTF21*M3050, SWTX21*M3000, SWTX21*M3020, SWTX21*M3022, SWTX21*M3050, SWTX21*M3069, UWT011*A3025 and UWT011*M3022
16	36515	Agitator Cap	Use with 33174 Agitator and 36507 Flex Vane Agitator

\* Add Letter To Designate Color. L - Almond Q - Bisque W - White

# Outer Tub, Cover, Bearing and Seal Housing, Pressure Hose and Counterweight

Model SWT111\*M99K5 and All Models with the Letter "N" in the Third or Eighth Character of the Model Number



TLW1464P\_39202

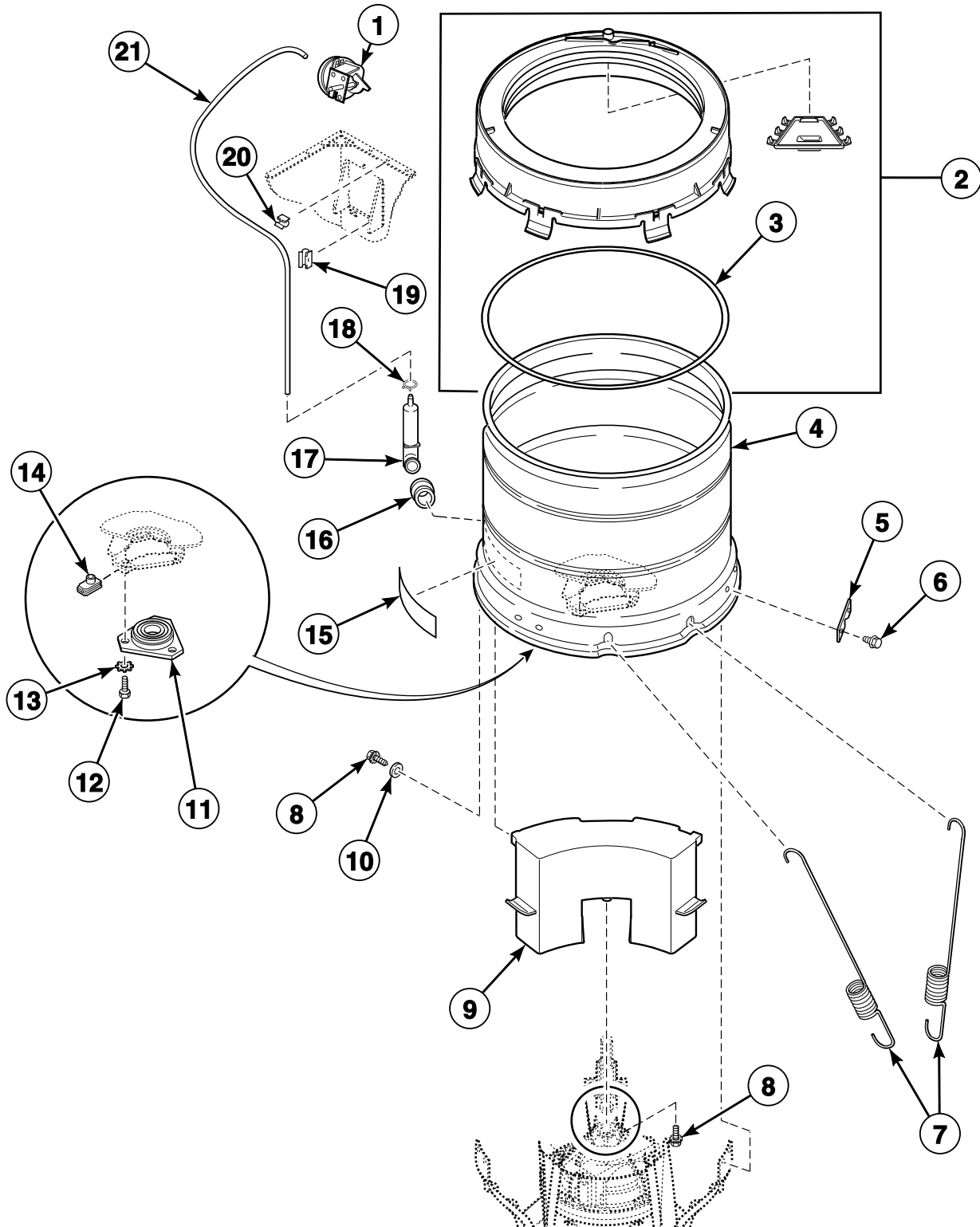
## Outer Tub, Cover, Bearing and Seal Housing, Pressure Hose and Counterweight

REF	PART NO.	DESCRIPTION	COMMENTS
1	201430	Tub Cover and Gasket Assembly	Includes item 2; Models BWT820*N1102, BWT920*N1102, HWLX21*N1102, HWNSX1SP301UW09, HWT821*N1102, HWT911*N1102, HWT911*N3020, HWT921*N1102, HWT921*N1127, HWTR21*N1102, HWTT21*N1102, HWTX21*N1102, HWTX21*N3020, HWTX21*N3022, HWTY21*N1102, HWTZ21*N1102, JWT810*N3020, JWT810*N3050, JWT810*N5400, JWT820*N3050, JWT910*N3020, JWT910*N3050, JWT910*N3069, JWT920*N3050, NWNBX2SP301NW22, NWT811*N5422, NWT821*N3022, NWT911*N5422, NWT921*N3022, SWNSX1SP541NQ23, SWNSX1SP541NW23, SWT811*N3000, SWT811*N3022, SWT811*N3050, SWT811*N3062, SWT910*N3050, SWT911*N3000, SWT911*N3020, SWT911*N3022, SWT911*N3028, SWT911*N3050, SWT911*N3062, SWT911*N3069, SWT911*N5412, SWTX21*N1127, SWTX21*N3000, SWTX21*N3020, SWTX21*N3022, SWTX21*N3050, SWTX21*N3069 and UWT821*N1102
	38573	Tub Cover and Gasket Assembly	Includes item 2; All other models
2	38359	Tub Cover Gasket	
3	200511P	Outer Tub Assembly	Model HWLX21*N1102
	200510P	Outer Tub Assembly	All other models
	636P3	Outer Tub Flange Kit	Use to replace outer tub flange due to flange damage or corrosion
4	27926	Leg Plate	
5	35369	Screw	
6	37575	Leg Spring	Model HWLX21*N1102
	201522	Leg Spring	Marked with black paint; Use to replace two rear springs (closest to counterweight); Models HWTX21*N3020, HWTX21*N3022, JWT820*N3050, JWT920*N3050, NWNBX2SP301NW22, NWT821*N3022, NWT921*N3022, SWTA21*N3050, SWTF21*N3050, SWTX21*N3000, SWTX21*N3020, SWTX21*N3022, SWTX21*N3050 and SWTX21*N3069 starting Serial No. 0511019322
	37576	Leg Spring	All other models
7	39566	Screw	
8	913P3	Counterweight and Springs Kit	Models HWTX21*N3020, HWTX21*N3022, SWTA21*N3050, SWTF21*N3050, SWTX21*N3000, SWTX21*N3020, SWTX21*N3022, SWTX21*N3050 and SWTX21*N3069 through Serial No. 0511019321
	38769	Counterweight Assembly	Models HWTX21*N3020, HWTX21*N3022, SWTA21*N3050, SWTF21*N3050, SWTX21*N3000, SWTX21*N3020, SWTX21*N3022, SWTX21*N3050 and SWTX21*N3069 starting Serial No. 0511019322; All other models
9	39249	Washer	
10	766P3A	Hub and Lip Seal Kit	
	200996P	Sealant	Use with hub and lip seal kit
11	500314	Warning Label	Models with suffix numbers 1102
	502506	Pinched Fingers Label	Models HWNSX1SP301UW09, HWT211*N3020, HWT911*N3020, HWTX21*N3020, HWTX21*N3022, JWT810*N3020, JWT910*N3020, JWT910*N3069, SWT111*N3069, SWT211*N3020, SWT911*N3020, SWT911*N3069, SWTX21*N3020 and SWTX21*N3069
	500049	Warning Label	All other models
12	29175	Grommet	
13	30907	Pressure Bulb	
14	39282	Hose Clamp	
15	36985	Hose Clip	
16	21036	Cable Clip	
17	39124	Tubing	Models SWT111*N3028, SWTA21*N3050, SWTF21*N3050, SWTX21*N1127, SWTX21*N3000 and SWTX21*N3050
	202700	Tubing	All other models

\* Add Letter To Designate Color. L - Almond Q - Bisque W - White

# Outer Tub, Cover, Bearing Housing, Pressure Hose and Counterweight

All Models Except SWT111\*M99K5 and Models with the Letter "N" in the Third or Eighth Character of the Model Number



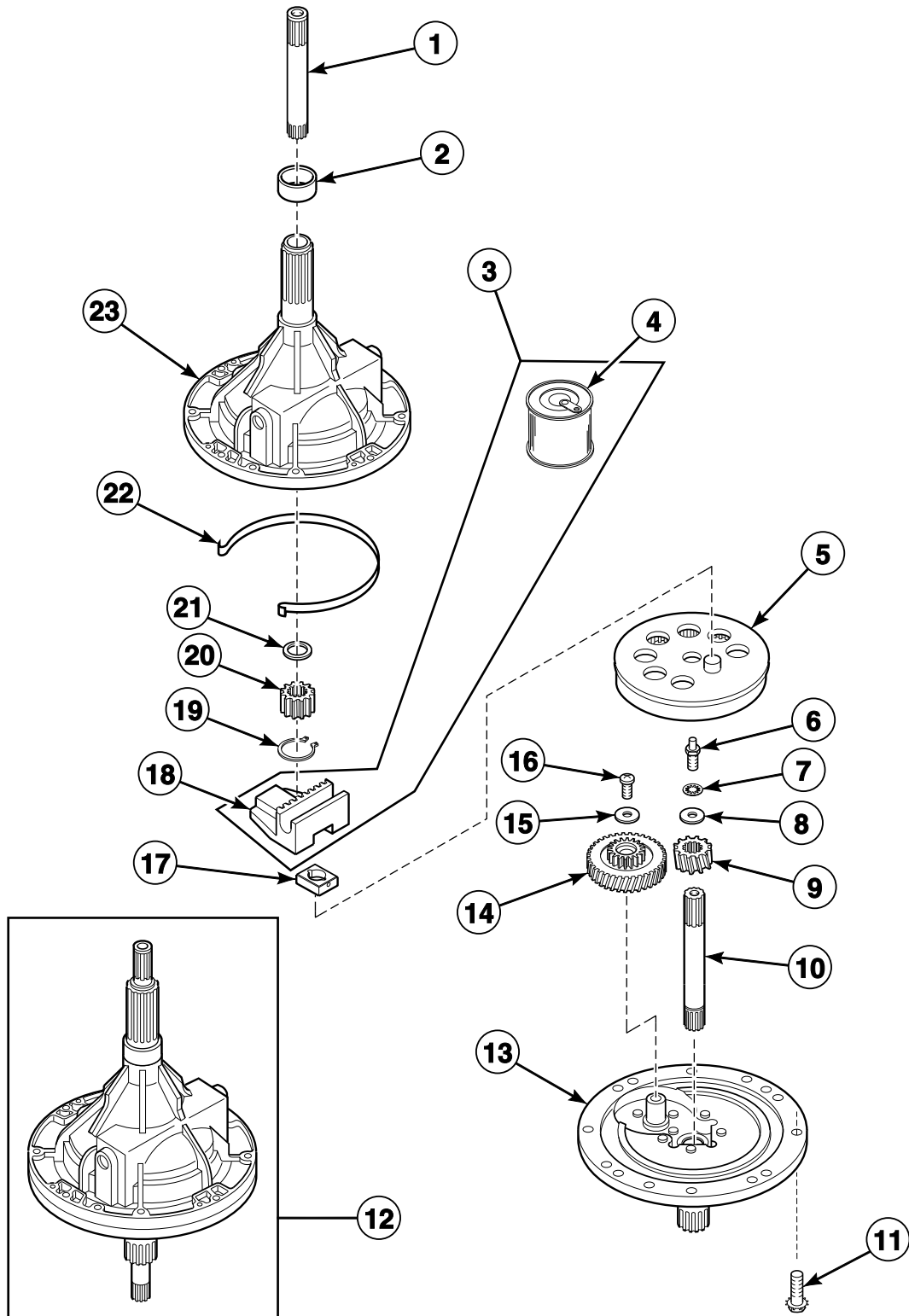
TLW1624P\_39202

## Outer Tub, Cover, Bearing Housing, Pressure Hose and Counterweight

REF	PART NO.	DESCRIPTION	COMMENTS
1	35889P	Pressure Switch	
2	201430	Tub Cover and Gasket Assembly	Includes item 3; Models HWTX21*M3020, HWTX21*M3022, HWTY21*M1102, HWTZ21*M1102, SWTX21*M3000, SWTX21*M3020, SWTX21*M3022, SWTX21*M3050 and SWTX21*M3069
	38573	Tub Cover and Gasket Assembly	Includes item 3; All other models
3	38359	Tub Cover Gasket	
4	37981P	Outer Tub Kit	
	636P3	Outer Tub Flange Kit	Use to replace outer tub flange due to flange damage or corrosion
5	27926	Leg Plate	
6	35369	Screw	
7	37576	Leg Spring	
8	39566	Screw	
9	913P3	Counterweight and Springs Kit	Models HWT011*B3073, HWT111*A3000, HWT111*B3069, HWT111*C3000, HWT211*A3000, HWT211*B3020, HWT211*C3000, HWTX21*M3020, HWTX21*M3022, SWT011*A3000, SWT011*A3050, SWT111*A1300, SWT111*A3000, SWT111*A3050, SWT111*A5412, SWT111*B3069, SWT121*A3000, SWT211*A1300, SWT211*A3000, SWT211*B3020, SWT421*A3000, SWT421*A3050, SWTA21*M3022, SWTA21*M3050, SWTF21*M3050, SWTX21*M3000, SWTX21*M3020, SWTX21*M3022, SWTX21*M3050 and SWTX21*M3069
	38769	Counterweight Assembly	All other models
10	39249	Washer	
11	27182	Bearing Housing Assembly	
12	M400057	Screw	
13	202010	Washer	
14	27222	Nut	
15	500314	Warning Label	Models with suffix numbers 1102
	502506	Pinched Fingers Label	Models HWT011*B3073, HWT111*B3069, HWT211*B3020, HWT211*M3020, HWT220*M3020, SWT111*B3069, SWT111*M3069, SWT211*A3020, SWT211*B3020 and SWT211*M3020
	500049	Warning Label	All other models
16	29175	Grommet	
17	30907	Pressure Bulb	
18	39282	Hose Clamp	
19	36985	Hose Clip	
20	21036	Cable Clip	
21	39124	Tubing	Models HWT021*A1102, HWT021*C1102, HWT111*A1102, HWT111*C1102, HWT210*A1102, HWT210*C1102, HWT211*A3000, HWT211*C3000, HWT220*A1102, HWT220*C1102, HWT221*A1102, HWT221*C1102, HWTY21*M1102, HWTZ21*M1102, SWT011*A3000, SWT011*A3022, SWT011*A3050, SWT111*A1200, SWT111*A1300, SWT111*A3000, SWT111*A3022, SWT111*A3028, SWT111*A3050, SWT111*A5412, SWT121*A3000, SWT211*A1200, SWT211*A1300, SWT211*A3000, SWT211*A3022, SWTA21*M3022, SWTA21*M3050, SWTF21*M3050, SWTX21*M3000, SWTX21*M3050 and UWT011*A3022
	202700	Tubing	All other models

\* Add Letter To Designate Color. L - Almond Q - Bisque W - White

# Transmission Assembly



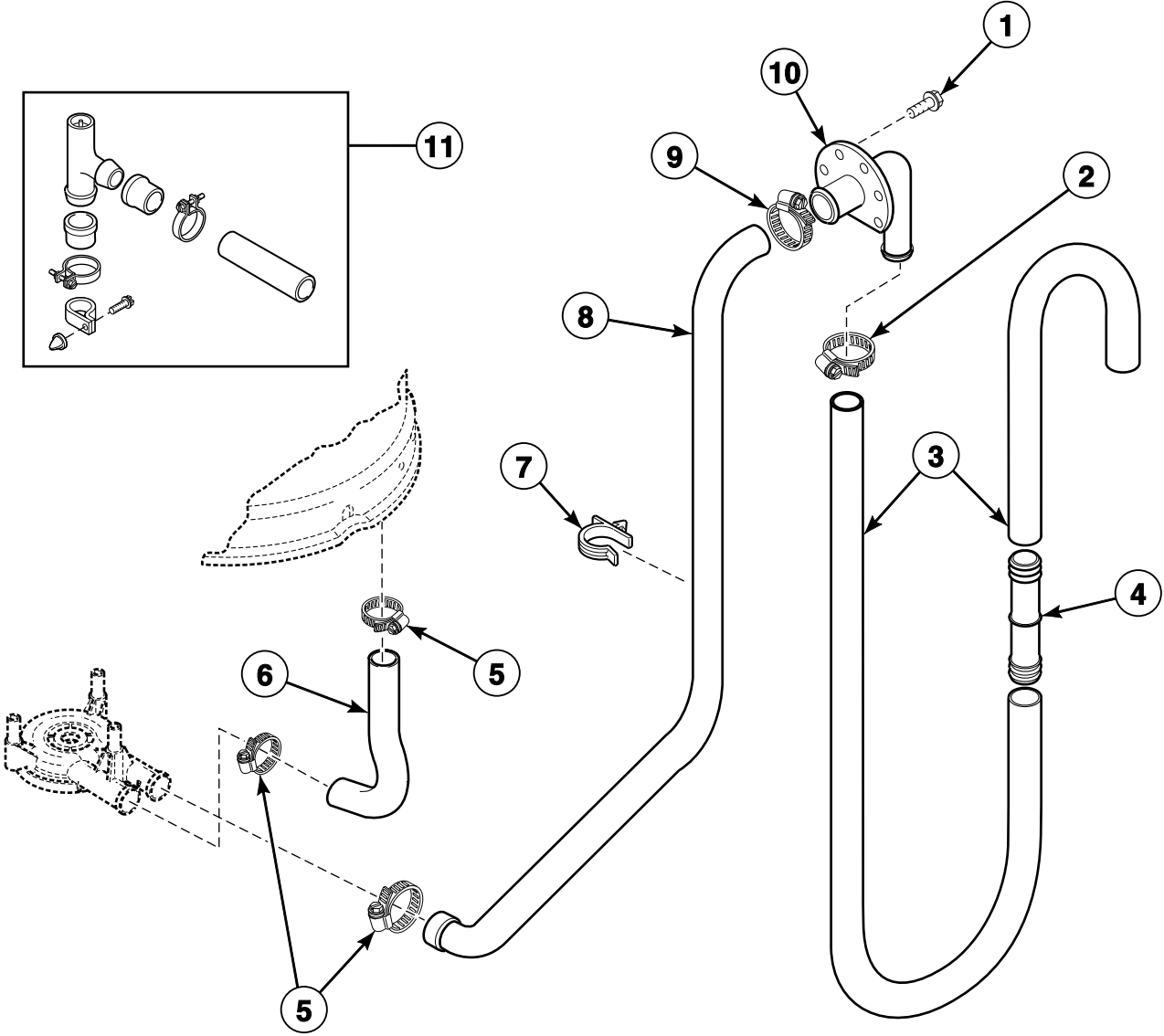
TLW1571K\_39202

# Transmission Assembly

REF	PART NO.	DESCRIPTION	COMMENTS
	27604P	Anti-Seize Compound	Apply to smooth area of both the upper and lower transmission tube that will be contacting the upper and lower bearings
	37577P	Transmission Sealant	Use between transmission case and cover
1	36570P	Output Shaft	
2	201212	Hub Spacer	Model SWT111*M99K5; All models with the letter "N" in the 3rd or 8th character of the model number; Included in 766P3A Hub and Lip Seal Kit
3	RB150004	Transmission Rebuild Kit	Includes 37577P Transmission Sealant
4	27243P	Transmission Oil	1 fill
5	26577	Gear and Stud Assembly	
6	201773	Screw	
7	21456	Washer	Models through Serial No. 9712011370
8	26509	Washer	
9	37405	Drive Pinion	All models with the letter "M" or "N" in the 3rd or 8th character of the model number; Models SWT011*A3028, SWT111*A3028, SWT421*A3028 and UWT011*A3025; Models SWT011*A3062 and SWT211*A3062 starting Serial No. 0011003354
	37406P	Drive Pinion	All other models
10	38268P	Input Shaft	
11	32814	Screw	
12	38165P	Transmission Assembly	
13	37471	Transmission Cover Assembly	
14	37404P	Reduction Gear	All models with the letter "M" or "N" in the 3rd or 8th character of the model number; Models SWT011*A3028, SWT111*A3028, SWT421*A3028 and UWT011*A3025; Models SWT011*A3062 and SWT211*A3062 starting Serial No. 0011003354
	37403P	Reduction Gear	All other models
15	29260	Washer	
16	29273	Screw	
17	26493	Slide	
18	201664	Rack	
19	27197	Retaining Ring	
20	27003	Agitator Pinion	
21	35092	Washer	
22	38864	Gear Sleeve	
23	33223P	Transmission Case Assembly	

\* Add Letter To Designate Color. L - Almond Q - Bisque W - White

# Hoses and Siphon Break Kit



W354P\_39202

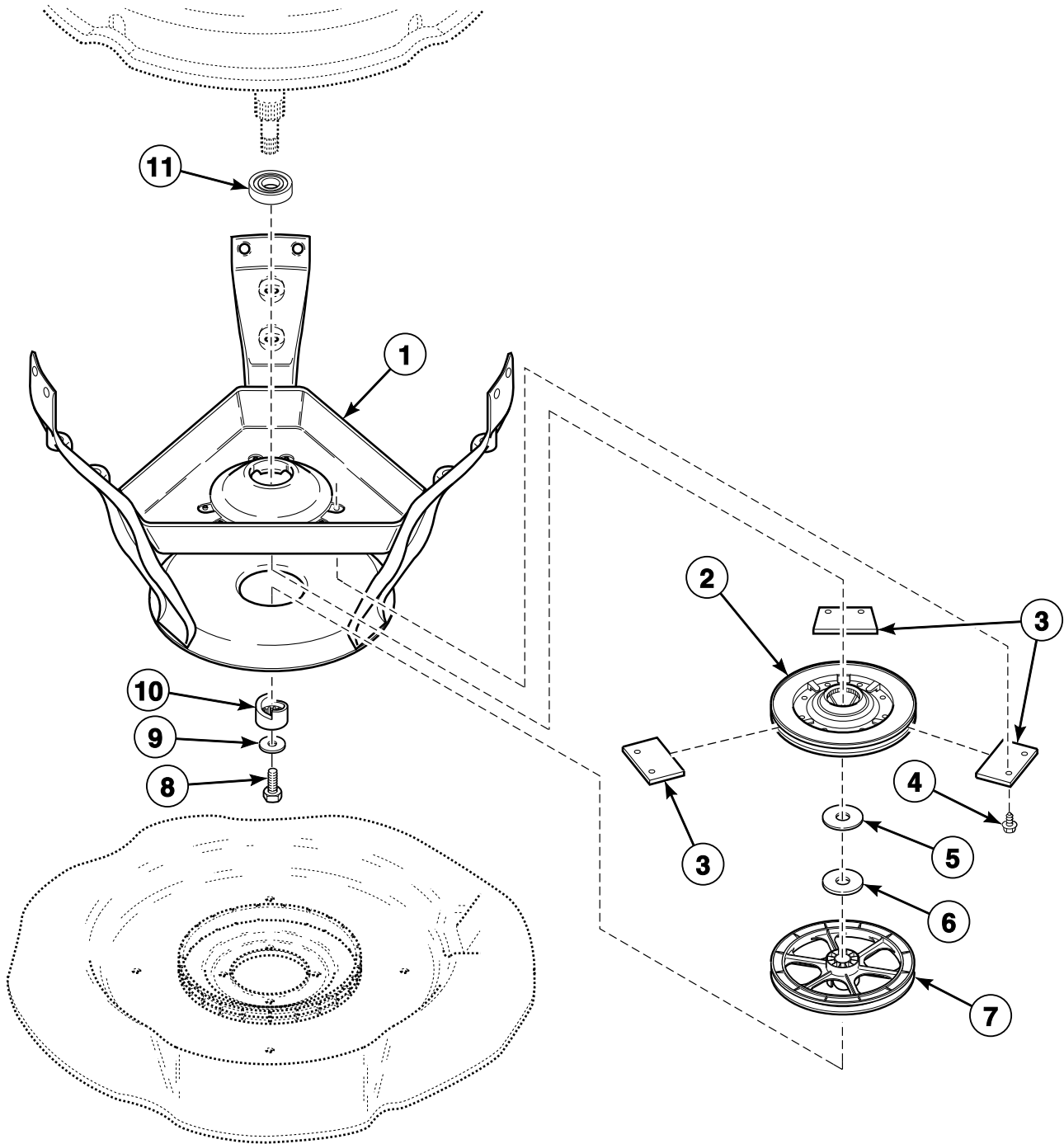


## Hoses and Siphon Break Kit

REF	PART NO.	DESCRIPTION	COMMENTS
1	52909	Screw	
2	20211	Hose Clamp	
3	28293	Drain Hose	
4	25863	Hose Coupler	If drain hose must be shortened, cut hose between molded end and molded elbow; Use 1 hose coupler to splice hose
5	F200204	Hose Clamp	
6	38351	Tub-to-Pump Hose	
7	39177	Hose Retainer Clip	
8	38273	Pump-to-Drain Elbow Hose	
9	20391	Hose Clamp	
10	35766	Drain Hose Elbow	Models HWTX21*N3020, HWTX21*N3022, NWNBX2SP301NW22, SWTA21*N3050, SWTF21*N3050, SWTX21*N3000, SWTX21*N3020, SWTX21*N3022, SWTX21*N3050 and SWTX21*N3069 starting Serial No. 0409013872
	36990	Drain Hose Elbow	All other models
11	562P3	Siphon Break Kit	Siphon break kit must be installed in drain hose if drain receptacle is lower than cabinet top of washer

\* Add Letter To Designate Color. L - Almond Q - Bisque W - White

# Weldment and Bearing Assembly, Brake and Pulley



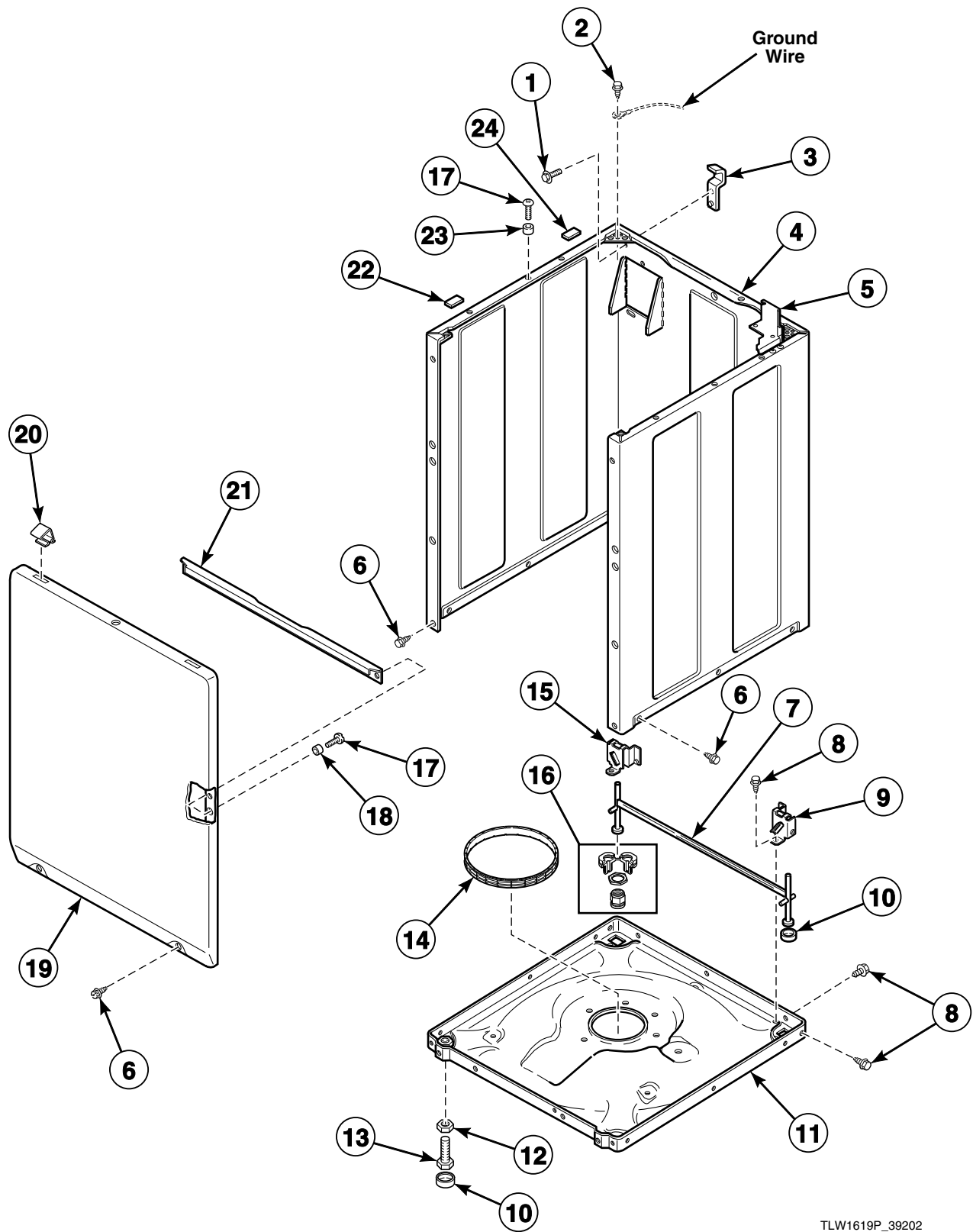
W333P\_39202

## Weldment and Bearing Assembly, Brake and Pulley

REF	PART NO.	DESCRIPTION	COMMENTS
1	39253	Weldment and Bearing Assembly	Model HWLX21*N1102
	39254	Weldment and Bearing Assembly	All other models
2	38505P	Brake Kit	
3	735P3	Brake Pad Kit	Includes 3 pads
	26594P	Silicone Grease	Apply small amount to each new brake pad
4	39739	Screw	All models with the letter "M" or "N" in the 3rd or 8th character of the model number; Models SWT011*A3028, SWT111*A3028, SWT421*A3028 and UWT011*A3025; Models SWT011*A3062 and SWT211*A3062 starting Serial No. 0011003354
	37836	Screw	All other models
5	35535	Washer	Thin
6	27015	Washer	Thick
7	38007	Pulley Assembly	Models HWT021*A1102, HWT021*C1102, HWT111*A1102, HWT111*C1102, HWT121*A1102, HWT121*C1102, HWT210*A1102, HWT210*C1102, HWT211*C1102, HWT220*A1102, HWT220*C1102, HWT221*A1102, HWT221*C1102, HWT521*A1102, HWT521*C1102, HWT621*A1102, HWT621*C1102, HWT721*A1102, HWT721*C1102, SWT111*A1200, SWT111*A5412 and SWT211*A1200
	38143	Pulley	All other models
8	27220	Screw	
9	26509	Washer	
10	38008	Helix	
11	28944RP	Upper or Lower Bearing	

\* Add Letter To Designate Color. L - Almond Q - Bisque W - White

# Front Panel, Base and Cabinet



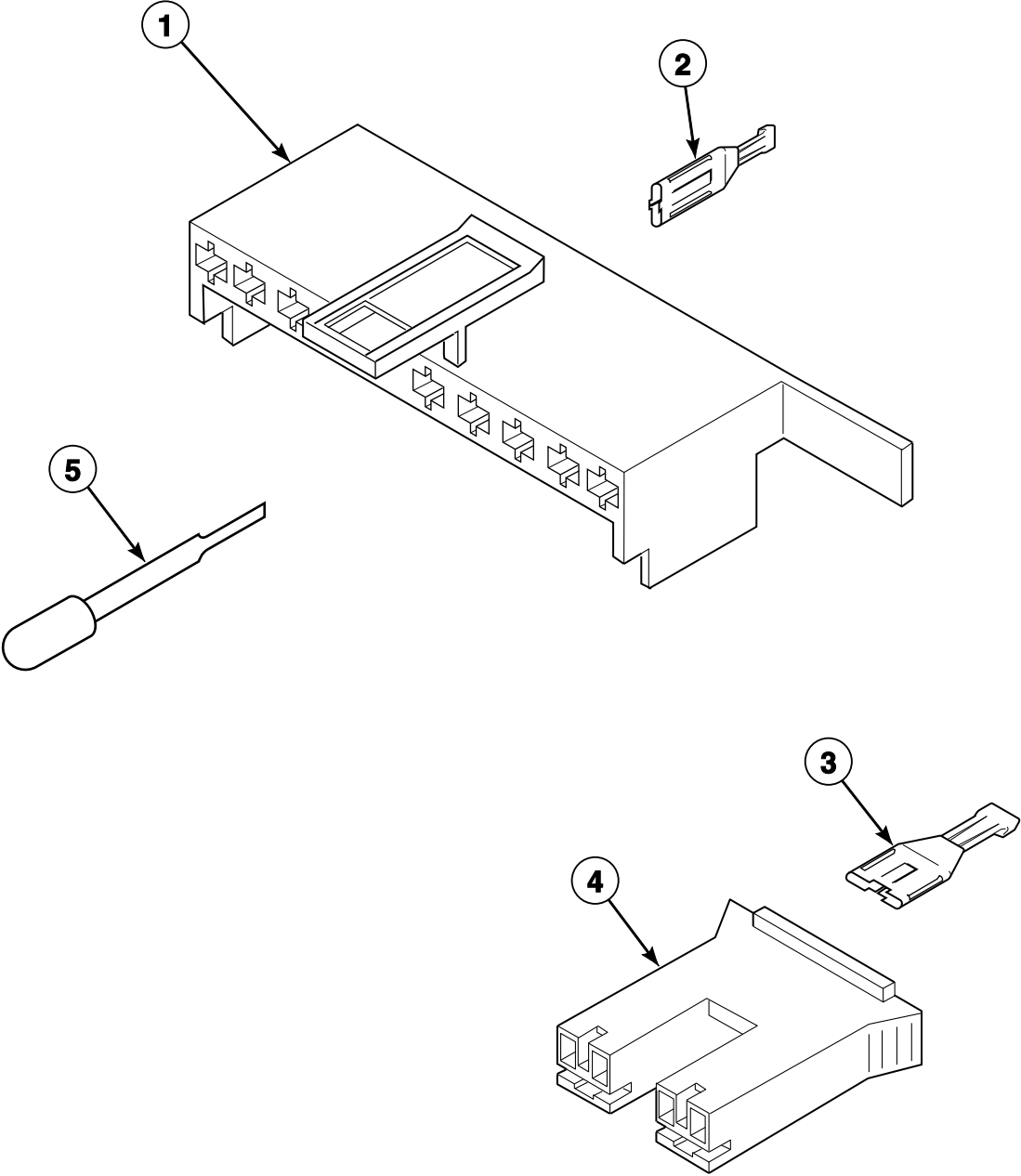
TLW1619P\_39202

## Front Panel, Base and Cabinet

REF	PART NO.	DESCRIPTION	COMMENTS
	122P4P	Porcelain Touch-Up Paint	White
	215P4P	Porcelain Touch-Up Paint	Almond
	370P4P	Porcelain Touch-Up Paint	Bisque
<b>1</b>	51780	Screw	
<b>2</b>	52909	Screw	
<b>3</b>	27103	Hold-Down Lug Hinge	
<b>4</b>	38612WP	Service Cabinet Kit	White
	38612LP	Service Cabinet Kit	Almond
	38612QP	Service Cabinet Kit	Bisque
<b>5</b>	35867	Meter Case Mounting Bracket Assembly	
<b>6</b>	27196	Screw	Hex head
	431287	Screw	Torx head; For added security
<b>7</b>	34443	Leg and Stabilizer Assembly	
<b>8</b>	35148	Screw	
<b>9</b>	36036	Bracket	Right
<b>10</b>	34318	Rubber Foot	
<b>11</b>	39788	Base Assembly	
<b>12</b>	21899	Nut	
<b>13</b>	34319	Leveling Leg	
<b>14</b>	37937	Friction Ring	
<b>15</b>	36037	Bracket	Left
<b>16</b>	566P3	Adjustable Leg Extension Kit	Provides adjustment capabilities to rear self-leveling legs
<b>17</b>	39733	Screw	
<b>18</b>	28102	Panel Locator	
<b>19</b>	38335WP	Front Panel	White; Includes items 19, 20 and attaching hardware
	38335LP	Front Panel	Almond; Includes items 19, 20 and attaching hardware
	38335QP	Front Panel	Bisque; Includes items 19, 20 and attaching hardware
<b>20</b>	35865	Hold-Down Clip	
<b>21</b>	35097	Front Panel Brace	
<b>22</b>	56128	Bumper Pad	
<b>23</b>	56079	Panel Locator	
<b>24</b>	36226	Bumper Pad	

\* Add Letter To Designate Color. L - Almond Q - Bisque W - White

# Mixing Valve and Motor Disconnect Blocks, Terminals and Terminal Extractor Tool

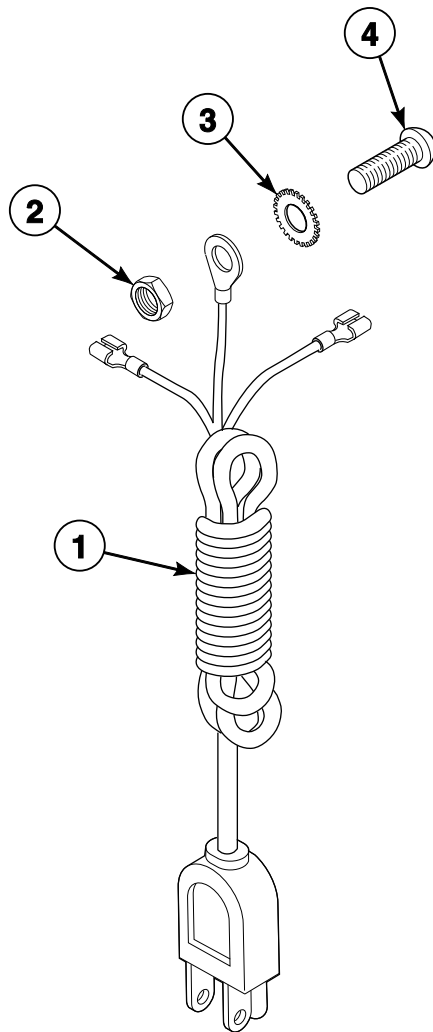


W134PZ3A\_39202

## Mixing Valve and Motor Disconnect Blocks, Terminals and Terminal Extractor Tool

REF	PART NO.	DESCRIPTION	COMMENTS
1	34677	10 Circuit Plug	Motor
2	00188	Female Terminal	For 1 or 2 wire application
3	00121	Female Spade Terminal	1/4 inch
4	34675	Mixing Valve Plug	Natural
	34676	Mixing Valve Plug	Red
5	283P4	Terminal Extractor Tool	

# Power Cord



TLW1089P\_39202



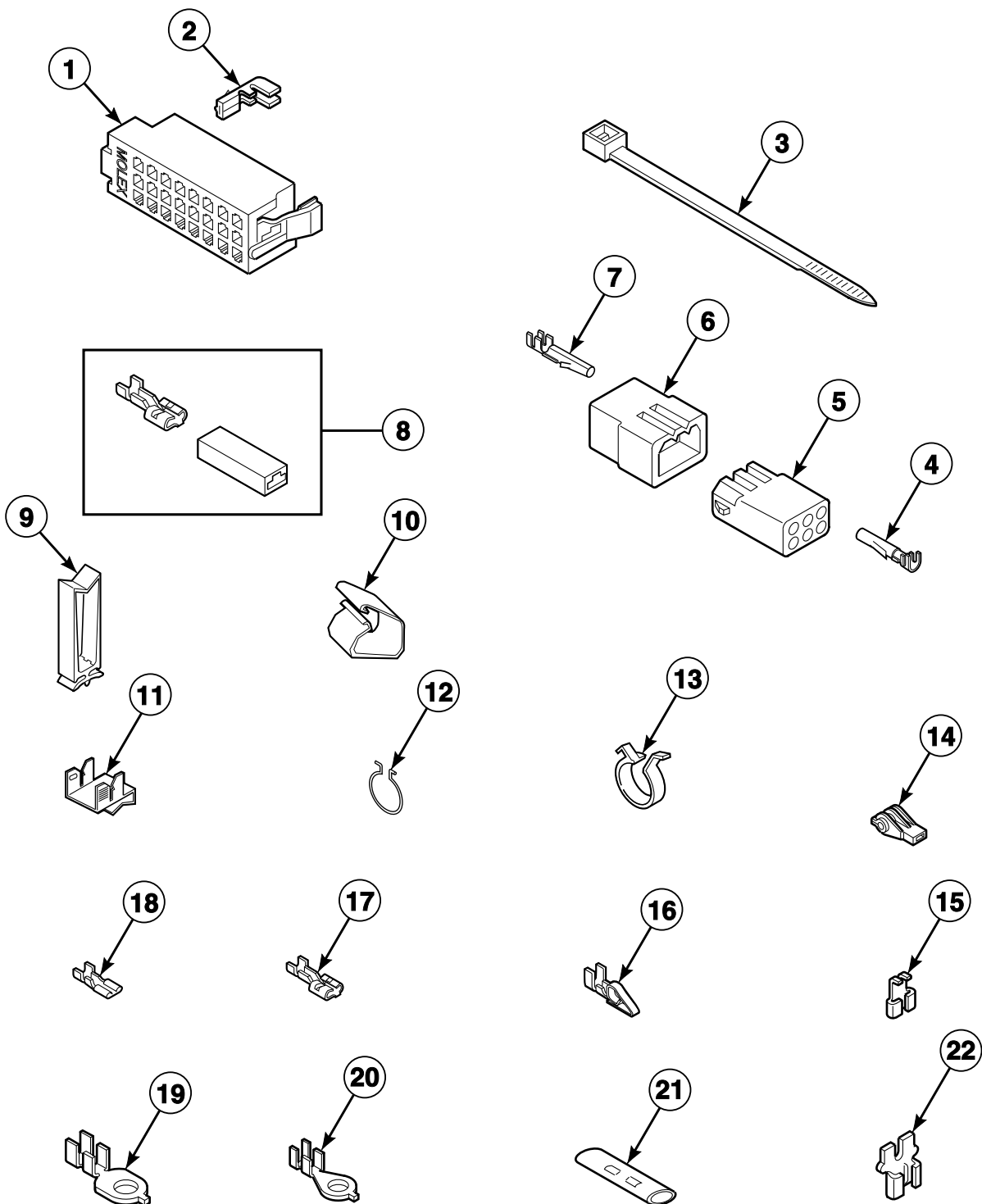
# Power Cord

REF	PART NO.	DESCRIPTION	COMMENTS
	202254	Label	Model SWT911*N3028
1	N/A	Cord and Terminal Assembly	Models HWT011*B3073, HWT111*B3069, SWT111*B3069, SWT111*M3069 and SWT111*N3069
	38362P	Lead-In Cord	Models HWT111*A3000, HWT111*C3000, HWT111*M3000, HWT211*A3000, HWT211*C3000, HWT211*M3000, HWT220*M3000, HWTX21*M3022, HWTX21*N3022, NWNBX2SP301NW22, NWT811*N5422, NWT821*N3022, NWT911*N5422, NWT921*N3022, SWT011*A3000, SWT011*A3022, SWT011*A3062, SWT011*M3000, SWT011*M3022, SWT011*N3000, SWT011*N3022, SWT011*N3062, SWT111*A3000, SWT111*A3022, SWT111*M3000, SWT111*M3022, SWT111*N3000, SWT111*N3022, SWT121*A3000, SWT121*M3000, SWT211*A3000, SWT211*A3022, SWT211*A3062, SWT211*M3000, SWT211*M3022, SWT211*N3000, SWT211*N3022, SWT211*N3062, SWT421*A3000, SWT421*A3022, SWT421*M3000, SWT421*M3022, SWT811*N3000, SWT811*N3022, SWT811*N3062, SWT911*N3000, SWT911*N3022, SWTA21*M3022, SWTX21*M3000, SWTX21*M3022, SWTX21*N3000, SWTX21*N3022, UWT011*A3022 and UWT011*M3022
	38363	Lead-In Cord	Models JWT810*N5400, SWNSX1SP541NQ23, SWNSX1SP541NW23, SWT111*A5412, SWT111*M5412, SWT111*N5412, SWT111*N5417 and SWT911*N5412
	N/A	Lead-In Cord	Models HWT211*B3020 and SWT211*B3020
	N/A	Cord Assembly	Models HWT211*M3020, HWT211*N3020, HWT220*M3020, SWT211*A3020, SWT211*M3020 and SWT211*N3020
	34458	Lead-In Cord	Models BWT820*N1102, BWT920*N1102, HWLX21*N1102, HWT021*A1102, HWT021*C1102, HWT021*M1102, HWT021*N1102, HWT111*A1102, HWT111*C1102, HWT111*M1102, HWT111*N1102, HWT121*A1102, HWT121*C1102, HWT121*M1102, HWT121*N1102, HWT210*A1102, HWT210*C1102, HWT210*M1102, HWT210*N1102, HWT211*C1102, HWT220*A1102, HWT220*C1102, HWT220*M1102, HWT221*A1102, HWT221*C1102, HWT221*M1102, HWT221*N1102, HWT521*A1102, HWT521*C1102, HWT621*A1102, HWT621*C1102, HWT721*A1102, HWT721*C1102, HWT821*N1102, HWT911*N1102, HWT921*N1102, HWTB21*M1102, HWTB21*N1102, HWTF21*M1102, HWTF21*N1102, HWTR21*N1102, HWTT21*N1102, HWTX21*N1102, HWTY21*M1102, HWTY21*N1102, HWTZ21*M1102, HWTZ21*N1102, SWT111*A1200, SWT111*A1300, SWT111*M1200, SWT111*M1300, SWT211*A1200, SWT211*A1300 and UWT821*N1102
	39931	Power Cord Assembly	Models JWT810*N3050, JWT820*N3050, JWT910*N3050, JWT920*N3050, SWT011*A3050, SWT011*M3050, SWT011*N3050, SWT111*A3050, SWT111*M3050, SWT111*M99K5, SWT111*N3050, SWT211*N3050, SWT421*A3050, SWT421*M3050, SWT811*N3050, SWT910*N3050, SWT911*N3050, SWTA21*M3050, SWTA21*N3050, SWTF21*M3050, SWTF21*N3050, SWTX21*M3050 and SWTX21*N3050
	39984	Power Cord Assembly	Models SWT011*A3028, SWT011*N3028, SWT111*A3028, SWT111*N3028, SWT421*A3028, SWT911*N3028 and UWT011*A3025
	39925	Power Cord Assembly	Models JWT910*N3069, SWT911*N3069, SWTX21*M3069 and SWTX21*N3069
	39926	Lead-In Cord	Models HWNSX1SP301UW09, HWT911*N3020, HWTX21*M3020, HWTX21*N3020, JWT810*N3020, JWT910*N3020, SWT911*N3020, SWTX21*M3020 and SWTX21*N3020
	201439	Lead-In Cord	Models HWT221*N1127, HWT921*N1127 and SWTX21*N1127
2	03673	Nut	
3	21735	Washer	
4	20267	Screw	

\* Add Letter To Designate Color. L - Almond Q - Bisque W - White

N/A = Part no longer available

# Terminals



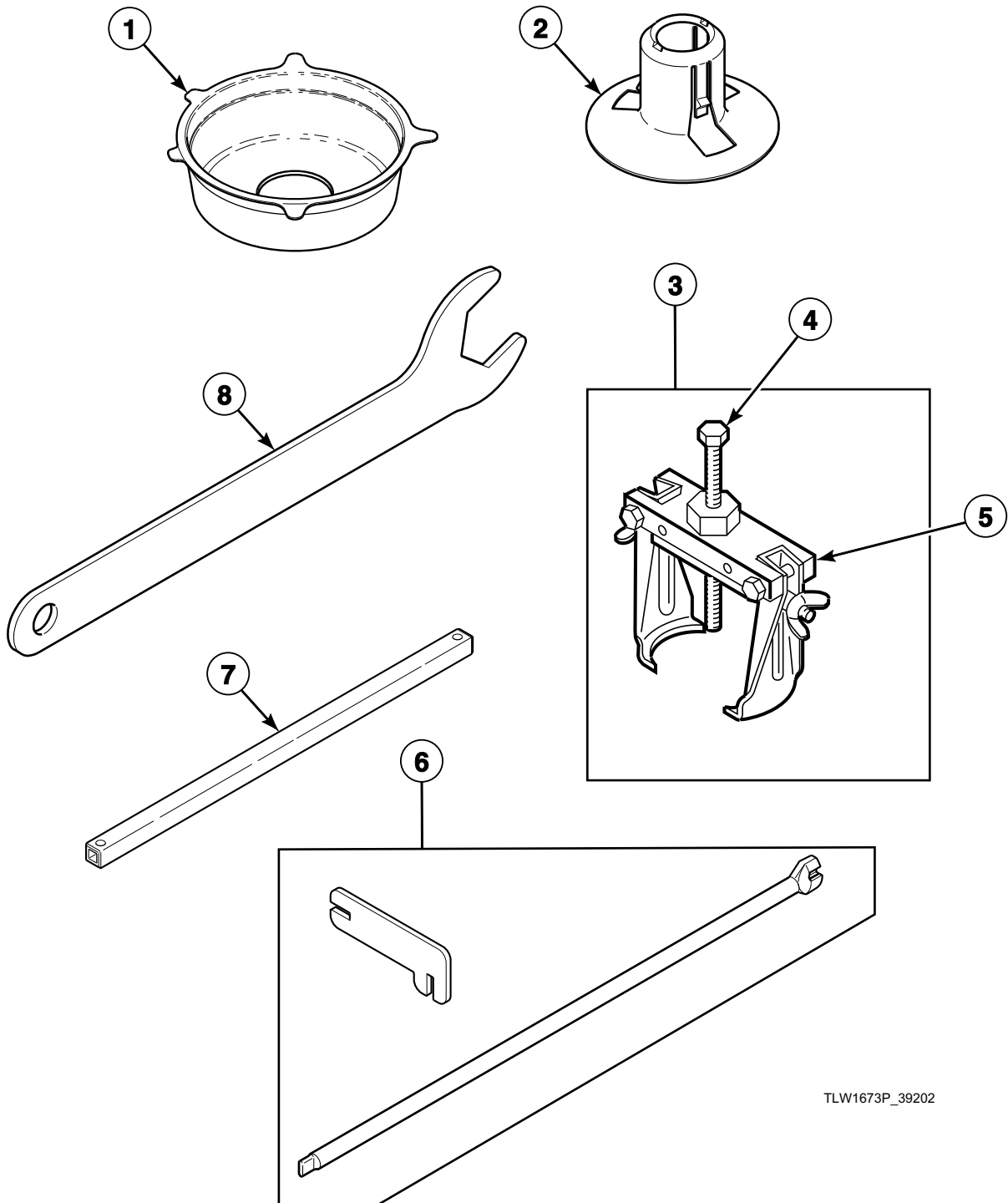
TLW1257P\_39202

# Terminals

REF	PART NO.	DESCRIPTION	COMMENTS
1	32746	24 Position Housing	Right; Black
	34123	24 Position Housing	Left; White
2	00188	Female Terminal	Used for 1 or 2 wire application
3	55881	Harness Strap	
4	00117	Female Pin Terminal	
5	26301	1 Circuit Receptacle	
	26708	6 Circuit Receptacle	
	26163	9 Circuit Receptacle	
6	26302	1 Circuit Plug	
	23041	6 Circuit Plug	
	23033	9 Circuit Plug	
7	00116	Male Pin Terminal	
8	00359	Insulated Female Spade Terminal	
9	36274	Wire Clip	
10	N/A	Harness Holder Clip	
11	00161	Grounding Clip	
12	51291	Wire Clip	
13	504034	Wire Clip	
14	70210	Insulator	
15	00120	Female Flag Terminal	
16	N/A	Single Crimp Terminal	Female; 1/4 inch
17	00223	Female Spade Terminal	Large spade
18	00112	Female Spade Terminal	Small spade
19	N/A	Ring Terminal	1/4 inch ring
20	00110	Ring Terminal	Small shank
21	21091	Connector	
22	F140562	Connector	

N/A = Part no longer available

# Shipping Materials and Special Tools

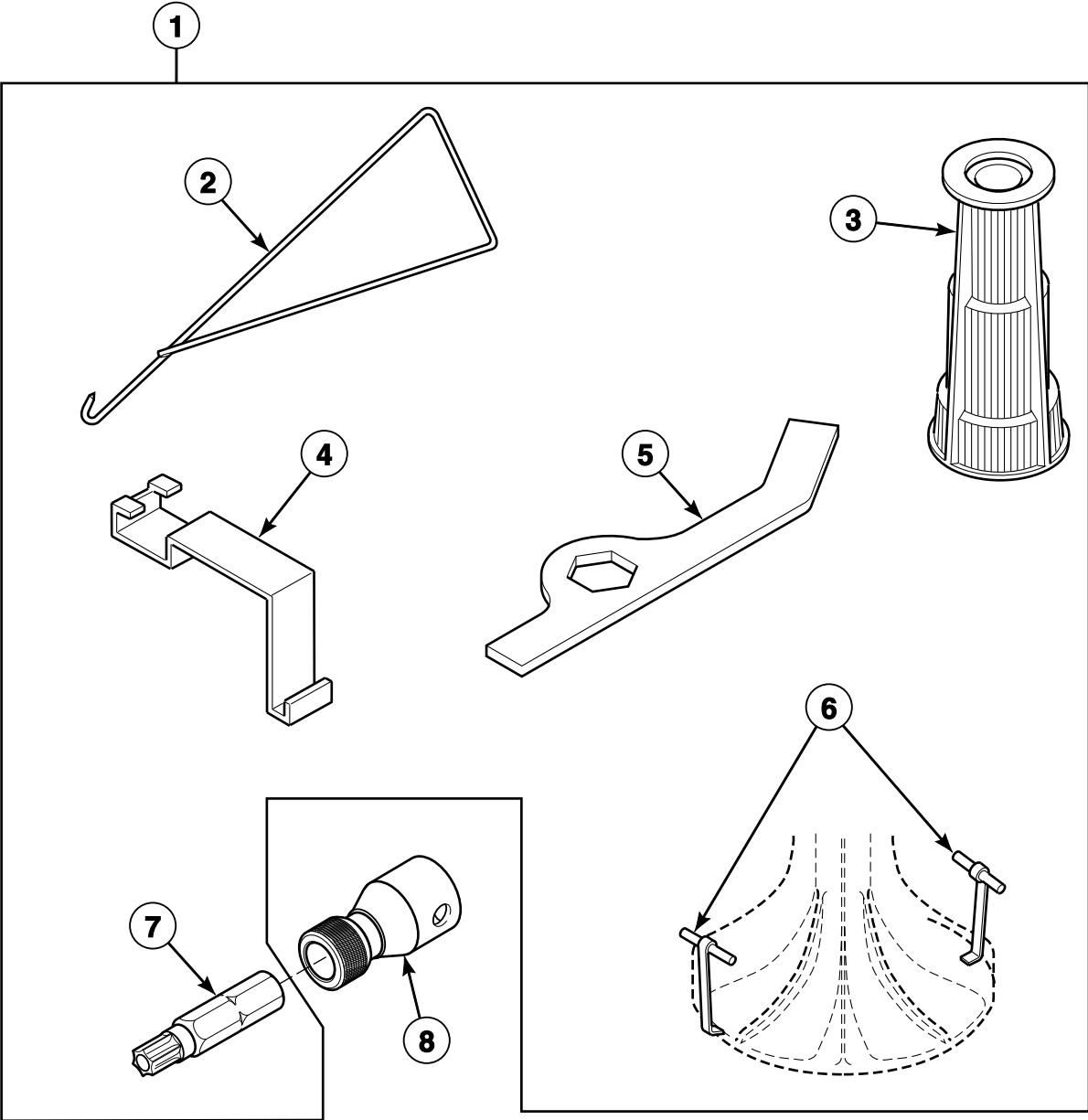


TLW1673P\_39202

## Shipping Materials and Special Tools

REF	PART NO.	DESCRIPTION	COMMENTS
1	200552	Shipping Brace	Install whenever moving washer; Remove before use
2	38149	Shipping Plug	Install whenever moving washer; Remove before use
3	294P4	Agitator Drive Bell Puller	For removal and installation of drive bell to transmission shaft
4	294P4B	Bolt	To update 253P4 Bell Puller
5	294P4A	Drive Bell Puller Arm	To update 253P4 Bell Puller
6	CK096	Mounting Tool Kit	Use to install and remove electronic coin drops
7	310P4	Ratchet Extension Tool	1/4 inch; Use to install and remove non-electronic coin drops
8	392P4	Wrench	Use for adjusting leveling leg nuts

# Special Tools

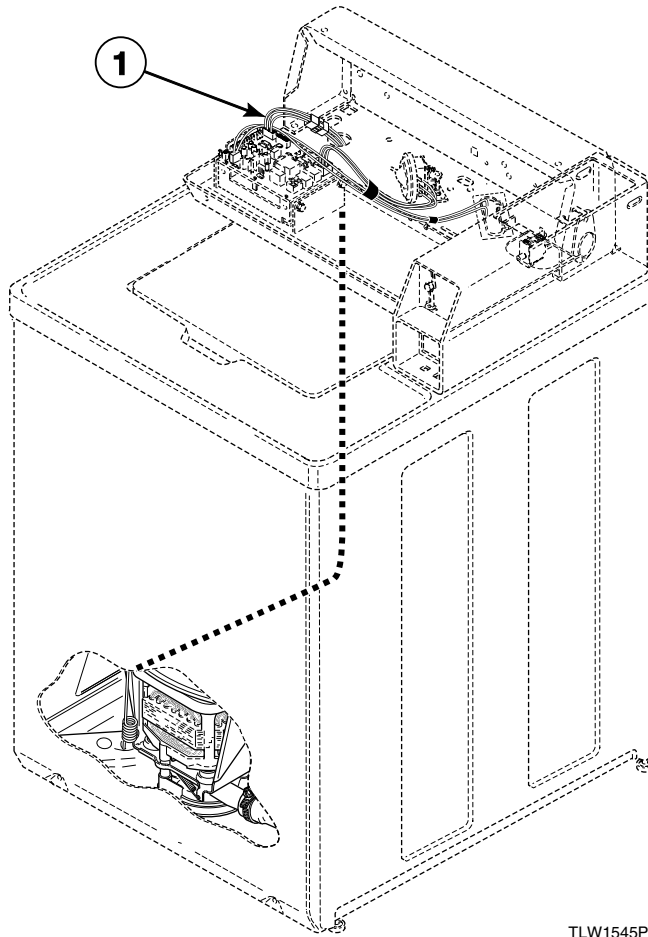


TLW1649P\_39202

## Special Tools

REF	PART NO.	DESCRIPTION	COMMENTS
1	725P3	Tool Kit	Includes items 2-7
2	321P4	Spring Hook Tool	For removal of centering springs from outer tub
3	293P4	Drive Bell Seal Tool	For installation of 36425 Bell and Transmission Tube Seal
4	273P4	Tub Cover Removal Tool	Use to install 38359 Tub Cover Gasket in outer tub cover
5	306P4	Hex Wrench Tool	For removal of locknut from washtub hub
6	254P4P	Agitator Hook	Use to remove agitator from drive bell; Set of 2
7	281P4	Torx Bit	T15; For removal and installation of control hood security screws
	282P4	Torx Bit	T25; For removal and installation of front panel security screws
8	24161	Bit Holder	3/8 inch drive

# Wire Harnesses and Wires (Drawing 1 of 2)



TLW1545P\_39202



## Wire Harnesses and Wires (Drawing 1 of 2)

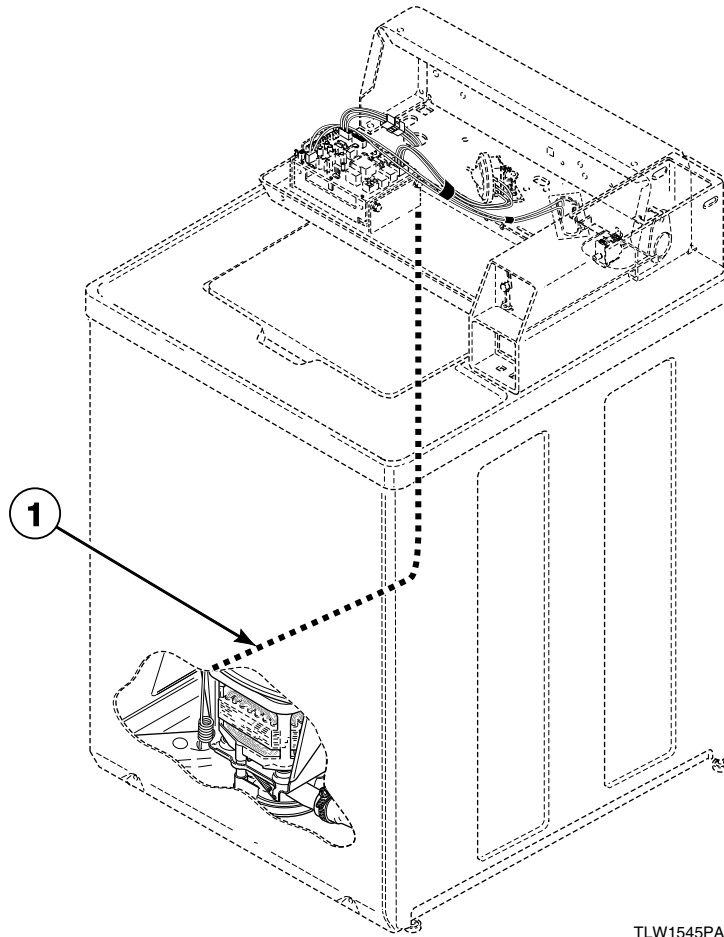
REF	PART NO.	DESCRIPTION	COMMENTS
	45001	18 Gauge Wire	Black; Order wire by foot and terminals and connectors as required
	45380	12 Gauge Wire	Orange; Order wire by foot and terminals and connectors as required
1	202229P	Wire Harness Assembly	Hood; Models HWTB21*M1102, HWTB21*N1102, HWTF21*M1102, HWTF21*N1102, HWTR21*N1102, HWTT21*N1102, HWTX21*N1102, HWTY21*M1102, HWTY21*N1102, HWTZ21*M1102, HWTZ21*N1102 and SWTX21*N1127
	210178P	Harness Assembly	Hood; Models HWTX21*M3020, HWTX21*M3022, HWTX21*N3020, HWTX21*N3022, NWNBX2SP301NW22, SWTA21*M3022, SWTA21*M3050, SWTA21*N3050, SWTF21*M3050, SWTF21*N3050, SWTX21*M3000, SWTX21*M3020, SWTX21*M3022, SWTX21*M3050, SWTX21*N3000, SWTX21*N3020, SWTX21*N3022 and SWTX21*N3050
	N/A	Harness Assembly	Hood; Model HWT011*B3073
	38870P	Wire Harness Assembly	Hood; Models HWT021*A1102, HWT021*C1102, HWT021*M1102 and HWT021*N1102
	N/A	Wire Harness Assembly	Hood; Models HWT111*B3069, SWT111*B3069 and SWT111*M3069 through Serial No. 0204008035
	38867	Wire Harness Assembly	Hood; Model HWT211*M3020 through Serial No. 0204008035; Models HWT121*A1102, HWT121*C1102, HWT121*M1102, HWT121*N1102, HWT211*B3020, HWT220*A1102, HWT220*C1102, HWT220*M1102, HWT220*M3000, HWT220*M3020, HWT221*A1102, HWT221*C1102, HWT221*M1102, HWT221*N1102, HWT221*N1127, SWT121*A3000 and SWT121*M3000
	N/A	Wire Harness Assembly	Hood; Models HWT211*M3020 and SWT211*M3020 starting Serial No. 0204008036; Models HWT211*N3020 and SWT211*N3020
	36093P	Wire Harness Assembly	Hood; Models HWT521*A1102, HWT521*C1102, HWT621*A1102, HWT621*C1102, HWT721*A1102, HWT721*C1102, SWT421*A3000, SWT421*A3022, SWT421*A3028, SWT421*A3050, SWT421*M3000, SWT421*M3022 and SWT421*M3050
	N/A	Hood Harness Assembly	Models SWTX21*M3069 and SWTX21*N3069
	N/A	Wire Harness Assembly	Hood; Models SWT011*A3000, SWT011*A3022, SWT011*A3028, SWT011*A3050, SWT011*A3062, SWT011*M3000, SWT011*M3022, SWT011*M3050, SWT011*N3000, SWT011*N3022, SWT011*N3028, SWT011*N3050, SWT011*N3062, UWT011*A3022, UWT011*A3025 and UWT011*M3022
	200978	Wire Harness Assembly	Hood; Model SWT111*M3069 starting Serial No. 0204008036; Model SWT111*N3069
	N/A	Wire Harness Assembly	Hood; Models SWT211*A3020, SWT211*B3020 and SWT211*M3020 through Serial No. 0204008035
	201796P	Wire Harness Assembly	Hood; Model HWLX21*N1102
	201729	Hood Harness	Models HWT911*N3020, JWT810*N3020, JWT810*N3050, JWT810*N5400, JWT820*N3050, JWT910*N3020, JWT910*N3050, JWT920*N3050, NWT811*N5422, NWT821*N3022, NWT911*N5422, NWT921*N3022, SWNSX1SP541NQ23, SWNSX1SP541NW23, SWT811*N3000, SWT811*N3022, SWT811*N3050, SWT811*N3062, SWT910*N3050, SWT911*N3000, SWT911*N3020, SWT911*N3022, SWT911*N3028, SWT911*N3050, SWT911*N3062 and SWT911*N5412
	201688	Hood Harness	Models BWT820*N1102, BWT920*N1102, HWT821*N1102, HWT911*N1102, HWT921*N1102 and HWT921*N1127
	201766	Hood Harness	Models HWNSX1SP301UW09, JWT910*N3069 and SWT911*N3069
	39805P	Wire Harness Assembly	Hood; All other models

\* Add Letter To Designate Color. L - Almond Q - Bisque W - White

N/A = Part no longer available

**NOTE: Individual wires are not available separately. Order complete harness, or order wire by the foot. When applying terminals to wires, it is recommended that the terminals be soldered to the wires.**

## Wire Harnesses and Wires (Drawing 2 of 2)



TLW1545PA\_39202

## Wire Harnesses and Wires (Drawing 2 of 2)

REF	PART NO.	DESCRIPTION	COMMENTS
	45001	18 Gauge Wire	Black; Order wire by foot and terminals and connectors as required
	45380	12 Gauge Wire	Orange; Order wire by foot and terminals and connectors as required
1	38660P	Base Wire Harness Assembly	Models HWTX21*M3020, HWTX21*M3022, HWTX21*N3020, HWTX21*N3022, NWNBX2SP301NW22, SWT121*A3000, SWT121*M3000, SWT421*A3000, SWT421*A3022, SWT421*M3000, SWT421*M3022, SWTA21*M3022, SWTX21*M3000, SWTX21*M3020, SWTX21*M3022, SWTX21*M3050, SWTX21*M3069, SWTX21*N3000, SWTX21*N3020, SWTX21*N3022, SWTX21*N3050 and SWTX21*N3069
	38772P	Base Wire Harness Assembly	Models HWT111*M3000, SWT011*A3062, SWT011*M3000, SWT011*M3022, SWT111*M3000, SWT111*M3022, SWT211*A3062, SWT211*M3000 and SWT211*M3022 through Serial No. 021001818; Models HWT111*A3000, HWT111*C3000, HWT211*A3000, HWT211*C3000, HWT211*M3000, JWT810*N5400, NWT811*N5422, NWT911*N5422, SWNSX1SP541NQ23, SWNSX1SP541NW23, SWT011*A3000, SWT011*A3022, SWT111*A3000, SWT111*A3022, SWT111*A5412, SWT111*M5412, SWT111*N5412, SWT111*N5417, SWT211*A3000, SWT211*A3022, SWT911*N5412, UWT011*A3022 and UWT011*M3022
	39956P	Base Wire Harness Assembly	Use with 200586 Motor Assembly; Models SWT011*M3050, SWT111*M3050 and SWT111*M99K5 through Serial No. 021001818; Models SWT011*A3050, SWT111*A3050, SWT421*A3050, SWT421*M3050, SWTA21*M3050 and SWTF21*M3050; Models SWTA21*N3050 and SWTF21*N3050 through Serial Nos. beginning 0506
	201466	Base Wire Harness Assembly	Use with 201433 Motor Assembly; Models SWT011*M3050, SWT111*M3050 and SWT111*M99K5 through Serial No. 021001818; Models JWT820*N3050, JWT920*N3050, NWT821*N3022, NWT921*N3022, SWT011*A3050, SWT111*A3050, SWT421*A3050, SWT421*M3050, SWTA21*M3050 and SWTF21*M3050; Models SWTA21*N3050 and SWTF21*N3050 starting Serial Nos. beginning 0506
	201065	Base Wire Harness Assembly	Use with 201062 Motor Assembly; Models SWT011*A3062, SWT011*M3050, SWT111*M3050, SWT111*M99K5 and SWT211*A3062 starting Serial No. 021001819; Models SWT011*N3050, SWT011*N3062, SWT111*N3050, SWT211*N3050 and SWT211*N3062 through Serial Nos. beginning 0512
	201435	Base Wire Harness Assembly	Use with 201434 Motor Assembly; Models SWT011*N3050, SWT011*N3062, SWT111*N3050, SWT211*N3050 and SWT211*N3062 starting Serial Nos. beginning 0512; Models HWNSX1SP301UW09, HWT911*N3020, JWT810*N3020, JWT810*N3050, JWT910*N3020, JWT910*N3050, JWT910*N3069, SWT811*N3050, SWT811*N3062, SWT910*N3050, SWT911*N3020, SWT911*N3028, SWT911*N3050, SWT911*N3062 and SWT911*N3069
	38661P	Wire Harness Assembly	Base; All other models

\* Add Letter To Designate Color. L - Almond Q - Bisque W - White

**NOTE: Individual wires are not available separately. Order complete harness, or order wire by the foot. When applying terminals to wires, it is recommended that the terminals be soldered to the wires.**

**Notes**

20 horizontal lines for notes

# Parts Index

## A

Actuator	
36164 .....	13
Actuator Support	
36163 .....	13
Adjustable Leg Extension Kit	
566P3 .....	123
Agitate and Spin Belt	
200923 .....	91, 93, 97, 101, 103
37820 .....	101, 103
38174 .....	101, 103
38749 .....	91, 97, 101, 103
39435 .....	97
Agitator	
33174 .....	109, 111
33513 .....	111
Agitator Cap	
36515 .....	109, 111
Agitator Drive Bell Puller	
294P4 .....	131
Agitator Hook	
254P4P .....	133
Agitator Pinion	
27003 .....	117
Anti-Seize Compound	
27604P .....	117

## B

Backflow Preventer	
34500 .....	83, 87
Balance Ring Assembly	
39836 .....	109, 111
Base Assembly	
39788 .....	123
Base Wire Harness Assembly	
201065 .....	137
201435 .....	137
201466 .....	137
38660P .....	137
38772P .....	137
39956P .....	137
Bearing Housing Assembly	
27182 .....	115
Bell and Transmission Tube Seal	
36425 .....	109, 111
Bell Plug	
36511 .....	109, 111
Belt and Pump Kit	
RB150002 .....	105
RB150003 .....	105
Bit Holder	
24161 .....	133
Bolt	
02505 .....	7, 11, 15, 23, 25, 27, 29
294P4B .....	131
29651 .....	11, 15
32184 .....	71, 75

Bracket	
201918 .....	71
202083 .....	79
36036 .....	123
36037 .....	123
803662 .....	19
Brake Kit	
38505P .....	121
Brake Pad Kit	
735P3 .....	121
Bumper	
M400795 .....	31, 33, 35, 37, 39, 41, 43, 45, 47, 49, 53, 55, 57, 59, 61, 63, 65, 67, 69
21685 .....	73, 77
Bumper Pad	
36226 .....	123
56128 .....	123
Bushing	
33446 .....	73, 77

## C

Cable Clip	
21036 .....	113, 115
Cable Connection Box	
39922 .....	35, 37, 39, 43, 47, 49, 55, 57, 59, 65, 67, 69
Capacitor	
37377 .....	99
Capacitor and Clamp Kit	
39259P .....	89, 95, 99
Capacitor Clamp	
37535 .....	89, 95, 99
Card Reader	
512473 .....	29
Card Reader Assembly	
210045P .....	69
Card Reader Kit	
874P3 .....	29
Card Reader Wire Harness Assembly	
38191 .....	29
800125P .....	69
Chassis Mounting Bracket	
201581 .....	15
Circuit Board Support	
501523 .....	51, 55, 57, 59, 67
Clip	
201572 .....	21
Clutch Assembly	
29503 .....	9
Coin Chute	
201565 .....	11
Coin Drop	
38963P .....	23, 25
70441601P .....	23, 25
Coin Drop Assembly	
CK114 .....	23
38462P .....	23, 25
38463 .....	23, 25
38464P .....	23, 25
38467 .....	23, 25

N/A items do not appear in index.

38472 .....	23, 25
38519 .....	23, 25
38521 .....	23, 25
70441602 .....	23, 25
70447301 .....	23
70482401 .....	25
Coin Drop Wire Harness	
201104 .....	21
Coin Funnel Kit	
523P3 .....	11, 15
Coin Identification Paper	
38725 .....	21, 23
Coin Slide Extension	
501483 .....	13
Coin Slide Extension Kit	
200913 .....	19
Coin Slide Kit	
552P3 .....	13
Connector	
F140562 .....	129
21091 .....	129
Control and Shield Assembly	
36401P .....	45, 47, 49
39820 .....	45, 49
Control Assembly	
201567P .....	61, 65, 67, 69
201577P .....	15, 33, 39
201755P .....	63
202025P .....	63
Control Hood	
210142L .....	69
210142W .....	33, 39, 69
37075L .....	31, 35, 37, 41, 45, 47, 49, 51, 55, 57, 59, 61, 65, 67
37075Q .....	31, 35, 37, 41, 43, 45, 47, 49, 51, 55, 57, 59, 61, 63, 65, 67
37075W .....	31, 35, 37, 41, 43, 45, 47, 49, 51, 55, 57, 59, 61, 63, 65, 67
Control Kit	
200641P .....	61, 65, 69
Control Lid Lock Assembly	
37225P .....	51, 55, 57, 59, 67
Control Overlay	
201667 .....	43
201669 .....	43
201673 .....	59
201674 .....	43
201675 .....	43
201744 .....	33, 39
201762 .....	33
201763 .....	33
201935 .....	43
201936 .....	39
201937 .....	43
201938 .....	33, 39
202012 .....	33
202022 .....	59
202129 .....	33
202130 .....	43
202134 .....	33
202135 .....	43
202408 .....	59
Control Panel	
201017L .....	67
201017Q .....	67
201017W .....	67
Control Panel and Bracket Assembly	
36521LP .....	31, 35, 37, 41, 53, 55, 57
36521QP .....	31, 35, 37, 41, 43, 53, 55, 57, 59
36521WP .....	31, 35, 37, 41, 43, 53, 55, 57, 59
Control Panel Assembly	
201742W .....	33, 39
201798Q .....	63
201798W .....	63
210042L .....	61, 65, 67
210042Q .....	61, 65, 67
210042W .....	61, 65, 67
210137L .....	69
210137W .....	69
36097L .....	45, 47, 49
36097Q .....	45, 47, 49
36097W .....	45, 47, 49
Control Panel Bumper	
32648 .....	31, 33, 35, 37, 39, 41, 43, 45, 47, 49, 53, 55, 57, 59, 61, 63, 65, 67, 69
Control Panel Overlay	
201007 .....	69
201265 .....	53, 55, 57
201268 .....	41, 55, 57
201273 .....	31, 37
201981 .....	63
210038 .....	61, 65
210069 .....	69
210138 .....	61
210139 .....	69
39096 .....	45, 47, 49
Control Shield	
210053 .....	61, 63, 65, 67, 69
512304 .....	15
Control, Shield and Tape Kit	
38188P .....	45
Counterweight and Springs Kit	
913P3 .....	113, 115
Counterweight Assembly	
38769 .....	113, 115
Cover Plate	
37828P .....	75
Cycle Selector Switch	
201686 .....	33, 39, 43, 59

---

## D

Diagnostic Wire Harness Assembly	
800680 .....	69
Disconnect Power Warning Label	
505281 .....	33, 39, 79
Door Lock Spacer	
201414 .....	73
Drain Hose	
28293 .....	119
Drain Hose Elbow	
35766 .....	119
36990 .....	119
Drive Bell and Seal Kit	
39508P .....	109, 111
Drive Bell Puller Arm	
294P4A .....	131
Drive Bell Seal Tool	
293P4 .....	133

N/A items do not appear in index.

Drive Pinion	
37405 .....	117
37406P .....	117
Dual Overlay	
39073 .....	25

## E

Electrical Shock Label	
502511 .....	51, 53, 55, 57, 59, 67
Electronic Coin Drop Assembly	
70294103P .....	21
70294104 .....	21
70294105P .....	21
70294106 .....	21
70294107 .....	21
70294109 .....	21
70294110 .....	21
70294111 .....	21
Electronic Coin Drop Kit	
CK099 .....	21
CK100 .....	21
CK101 .....	21
CK103 .....	21
CK106 .....	21
CK108 .....	21
CK109 .....	21
CK110 .....	21
CK113 .....	21
CK115 .....	21
CK120 .....	21
CK121 .....	21
End Cap	
210108W .....	33, 39, 69
210109W .....	33, 39, 69

## F

Female Flag Terminal	
00120 .....	129
Female Pin Terminal	
00117 .....	129
Female Spade Terminal	
00121 .....	125, 129
Female Terminal	
00188 .....	125, 129
Fill Hose	
20617 .....	83, 87
20618 .....	83, 87
37380 .....	83, 87
37381 .....	83, 87
Fill Hose Kit	
38349P .....	83, 87
Flex Vane Agitator	
36507 .....	109, 111
Friction Ring	
37937 .....	123
Front Panel	
38335LP .....	123
38335QP .....	123
38335WP .....	123
Front Panel Brace	
35097 .....	123

## G

Gasket	
70392701P .....	39
Gauge Wire, 12	
45380 .....	135, 137
Gauge Wire, 18	
45001 .....	135, 137
Gear and Stud Assembly	
26577 .....	117
Gear Sleeve	
38864 .....	117
Graphic Overlay	
201258 .....	31, 35, 37
201259 .....	31
201261 .....	53, 55, 57
201266 .....	41
201267 .....	41
201999 .....	43
Grease	
36765P .....	111
Grommet	
29175 .....	113, 115
80262 .....	75
Grounding Clip	
00161 .....	129

## H

Harness	
512501 .....	29
Harness Assembly	
210178P .....	135
802905 .....	21, 23, 25
Harness Strap	
55881 .....	129
Helix	
38008 .....	121
Hex Wrench Tool	
306P4 .....	133
Hinge Gasket	
34338 .....	73, 77
Hold-Down Clip	
35865 .....	123
Hold-Down Lug Hinge	
27103 .....	123
Hood Back Panel	
38267 .....	31, 35, 41, 43, 45, 47, 51, 55, 61, 63
39920 .....	35, 37, 43, 47, 49, 55, 57, 59, 61, 65, 67
Hood Harness	
201688 .....	135
201729 .....	135
201766 .....	135
Hose Clamp	
F200204 .....	119
20211 .....	119
20391 .....	119
36801 .....	83, 87
39282 .....	113, 115
800803 .....	83, 87
Hose Clip	
36985 .....	113, 115

N/A items do not appear in index.

Hose Coupler 25863 .....	119
Hose Retainer Clip 39177 .....	119
Housing, 24 Position 32746 .....	129
34123 .....	129
Hub and Lip Seal Kit 766P3A .....	109, 113
Hub and Seal Kit 646P3 .....	111
Hub Spacer 201212 .....	117

## I

Idler Lever 38011 .....	91, 93, 97, 101, 103
Idler Lever and Belt Kit 202972 .....	91, 93, 97, 103, 107
Idler Lever Kit 959P3 .....	105
Idler Lever Spring 202032 .....	91, 93, 97, 101, 103
39666 .....	91, 93, 97, 101, 103
Idler Pulley 38225P .....	91, 93, 97, 101, 103
Idler Shaft 210186 .....	91, 93, 97, 101, 103
Input Shaft 38268P .....	117
Insulated Female Spade Terminal 00359 .....	129
Insulator 70210 .....	129
Isolator Post 38325 .....	89, 93, 95, 99

## L

Label 202254 .....	127
Lead-In Cord 201439 .....	127
34458 .....	127
38362P .....	127
38363 .....	127
39926 .....	39, 43, 55, 57, 59, 67, 127
Lead-In Wire Harness Assembly 201405P .....	59
39923 .....	35, 37, 39, 43, 47, 49, 65, 67, 69
Leg and Stabilizer Assembly 34443 .....	123
Leg Plate 27926 .....	113, 115
Leg Spring 201522 .....	113
37575 .....	113
37576 .....	113, 115
Leveling Leg 34319 .....	123

Lid 200891L .....	73, 77
200891Q .....	73, 77
200891W .....	73, 77
200892LP .....	73
200892QP .....	73
200892WP .....	73
201460WP .....	73, 77
201760QP .....	77
201760WP .....	77
201761Q .....	77
201761WP .....	77
Lid and Carton Assembly 201460LP .....	73, 77
201460QP .....	73, 77
Lid Hinge 36437 .....	73, 77
36438 .....	73, 77
Lid Lock 202434 .....	75
Lid Lock Catch Assembly 201307P .....	73
Lid Lock Gasket 30378 .....	75
Lid Lock Kit 837P3 .....	73, 75
Lid Lock Wire Harness Assembly 31973 .....	75
Lid Plug 34153 .....	77
Lid Switch Assembly 37631 .....	81
Lid Switch Indicator Light 39536 .....	53, 55, 57, 59, 67
Light 32464 .....	31, 41
32466 .....	31, 41
32519 .....	31, 41, 53, 55, 57
38281 .....	31, 35, 37, 41, 53, 55, 57
801431 .....	33, 39, 43, 59, 63
Long Vault Timer Bracket 200832 .....	9
Long Vault Timer Bracket Kit 789P3 .....	9

## M

Male Pin Terminal 00116 .....	129
Male Tab Terminal 00177 .....	33, 39, 95, 99
Mechanical Counter Kit Assembly 201280P .....	11, 15
Meter Case and Funnel Kit 524P3L .....	11
524P3Q .....	11
524P3W .....	11
Meter Case Assembly 38724L .....	23, 25
38724Q .....	23, 25
38724W .....	23, 25
802505Q .....	23
802505W .....	23

N/A items do not appear in index.



Meter Case Bracket Gasket 35526 .....	11, 15, 23, 25
Meter Case Gasket 26354 .....	11, 15, 23, 25
Meter Case Kit 201010LP .....	11
201010QP .....	11, 15
201010WP .....	11, 15
Meter Case Lockdown Bracket 35525 .....	11, 15, 23, 25
Meter Case Locking Bracket 30642 .....	11, 15, 23, 25, 29
Meter Case Mounting Bracket Assembly 35867 .....	123
Meter Case Wire Harness Kit 39955P .....	23, 25
Mixing Valve 201402P .....	83, 85
201468P .....	83
38495P .....	83, 85
38813P .....	85
38918P .....	85
39070P .....	85
Mixing Valve Kit RB150001 .....	83, 85
Mixing Valve Mounting Bracket 39407 .....	83, 87
Mixing Valve Plug 34675 .....	125
34676 .....	125
Mixing Valve Screen 24122 .....	83, 87
Mixing Valve-to-Tub Cover Hose 38155 .....	83, 87
Motor Assembly 200646P .....	99
200648P .....	89, 99
35030P .....	99
Motor Kit 201433P .....	93, 95, 99
38034P .....	99
38035P .....	99
835P3 .....	89, 95, 99
Motor Mount 38395 .....	89, 93, 95, 99
38396 .....	89, 93, 95, 99
Motor Mount Bracket 200941 .....	89, 93, 95, 99
Motor Shield 34754 .....	89, 93, 95, 99
35886 .....	99
Motor Side Shield 36965 .....	89, 93
Mounting Tool Kit CK096 .....	131
Multiplier Assembly 38571 .....	25
Multiplier Harness 38673 .....	25

## N

Nut M400981 .....	81
02788 .....	53
03673 .....	127
201216 .....	21
21899 .....	123
22001 .....	75
23951 .....	71
24205 .....	31, 33, 35, 37, 39, 41, 43, 53, 55, 57, 59
27222 .....	73, 79, 115
28803 .....	91, 93, 97, 101, 103
29220 .....	109, 111
29786 .....	7, 11, 15, 23, 25, 27, 29
29796 .....	11, 15
30647 .....	11, 15, 23, 25, 29, 71
36020 .....	75, 79
52566 .....	7, 27, 29, 31, 35, 37, 41, 43, 45, 47, 49, 51, 55, 57, 59, 61, 63, 65, 67, 91, 93, 97, 101
52947 .....	53, 55, 57, 59, 63, 67
685846 .....	89, 93, 95, 99
70054 .....	69
802337 .....	11, 15, 23, 25
802343 .....	39

## O

Opto Coupler 200674P .....	23, 25
O-Ring 36472 .....	111
Outer Tub Assembly 200510P .....	113
200511P .....	113
Outer Tub Flange Kit 636P3 .....	113, 115
Outer Tub Kit 37981P .....	115
Output Shaft 36570P .....	117
Overlay 200918 .....	61, 65
200919 .....	61
200984 .....	67
201091 .....	21
202174 .....	61
202310 .....	61, 63, 69
Overlay Kit 38676 .....	25

## P

Panel Clip M406494 .....	33, 39
Panel Locator 28102 .....	123
56079 .....	123
Pinched Fingers Label 502506 .....	113, 115

N/A items do not appear in index.

Plastic Boot	
36165 .....	13
Plug, 1 Circuit	
26302 .....	129
Plug, 10 Circuit	
34677 .....	125
Plug, 6 Circuit	
23041 .....	129
Plug, 9 Circuit	
23033 .....	129
Porcelain Touch-Up Paint	
122P4P .....	123
215P4P .....	123
370P4P .....	123
Power Cord Assembly	
39925 .....	55, 57, 59, 67, 127
39931 .....	35, 37, 39, 43, 47, 49, 65, 69, 127
39984 .....	37, 43, 49, 127
Power Supply	
512496 .....	29
Pressure Bulb	
30907 .....	113, 115
Pressure Switch	
201997P .....	63
35889P .....	31, 33, 35, 37, 39, 41, 43, 45, 47, 49, 53, 55, 57, 59, 61, 65, 67, 69, 115
Pressure Switch Bracket	
201789 .....	63
Programming Card	
512499P .....	29
Pulley	
38143 .....	121
Pulley Assembly	
38007 .....	121
Pulse Expander Assembly	
37244P .....	23
Pump	
201566P .....	91, 93, 97, 101
Pump Assembly	
201442P .....	91, 93, 97, 101
Pump-to-Drain Elbow Hose	
38273 .....	119
Push-On Clip	
34762 .....	53, 55, 57, 59, 67
Push-to-Start Sticker	
53738 .....	7

## R

Rack	
201664 .....	117
Ratchet Extension Tool	
310P4 .....	131
Rear Panel	
201732 .....	33
201919 .....	71
201951 .....	39
210143 .....	69
Receptacle, 1 Circuit	
26301 .....	129
Receptacle, 6 Circuit	
26708 .....	129

Reduction Gear	
37403P .....	117
37404P .....	117
Repectacle, 9 Circuit	
26163 .....	129
Resistor	
210100 .....	33, 39, 43, 59, 61, 65, 67, 69
Retaining Ring	
23748 .....	91, 93, 97, 101, 103
27197 .....	117
Ring Terminal	
00110 .....	129
Rocker Switch	
70455101 .....	33, 39
Roll Pin	
10416 .....	89, 95, 99
Rubber Foot	
34318 .....	123

## S

Screw	
M400057 .....	115
M402574 .....	81
Q6516 .....	53
Q6695 .....	73
02916 .....	7, 27, 29, 31, 35, 37, 41, 43, 45, 47, 49, 51, 55, 57, 59, 61, 63, 65, 67
201773 .....	117
202623 .....	75
20267 .....	127
20530 .....	95, 99
21720 .....	9
22649 .....	75
23008 .....	75, 79
23222 .....	31, 35, 37, 41, 43, 45, 47, 49, 51, 55, 57, 59, 61, 63, 65, 67
23962 .....	7, 29, 31, 33, 35, 37, 39, 41, 43, 45, 47, 49, 51, 53, 55, 57, 59, 61, 63, 65, 67, 79, 81
27196 .....	123
27202 .....	109, 111
27220 .....	121
27229 .....	91, 93, 97, 101, 103
27328 .....	7, 17
29273 .....	117
32814 .....	117
33562 .....	83, 87
34337 .....	73, 77
34565 .....	91, 93, 97, 101
35148 .....	123
35369 .....	89, 93, 95, 99, 113, 115
35528 .....	31, 35, 37, 41, 43, 45, 47, 49, 53, 55, 57, 59, 63
36048 .....	9, 15, 23, 25
36639 .....	89, 93, 95, 99
37836 .....	121
39397 .....	83, 85
39432 .....	109, 111
39566 .....	113, 115
39733 .....	123
39739 .....	121
431287 .....	75, 79, 123
500226 .....	31, 35, 37, 41, 43, 53, 55, 57, 59
501086 .....	31, 33, 35, 37, 39, 41, 43, 45, 47, 49, 61, 63, 65, 67, 69, 83, 85

N/A items do not appear in index.

501524	15, 33, 39, 45, 47, 49, 61, 63, 65, 67, 69
502431	9
503661	33, 39, 43, 59, 61, 63, 65, 67, 69
503673	11, 15, 23, 25, 29, 73, 79
503688	9, 15, 71
512504	29
51778	7, 27, 29
51780	123
51782	17
52864	33, 39, 45, 47, 49, 61, 63, 65, 67, 69
52909	29, 73, 79, 89, 95, 99, 119, 123
685837	39
80399	7
Sealant	
200996P	109, 113
Security Kit	
904P3	71
Security Wire Harness Assembly	
38026	27
Service Cabinet Kit	
38612LP	123
38612QP	123
38612WP	123
Service Door Assembly	
39874LP	11, 23, 25, 29
39874QP	11, 15, 23, 25, 29
39874WP	11, 15, 23, 25, 29
Shaft	
56461P	91, 97, 101, 103
Shipping Brace	
200552	131
Shipping Plug	
38149	131
Shock Warning Label	
511021	35, 37, 39, 43, 47, 49
Silicone Grease	
26594P	121
Single Overlay	
38717	23
Siphon Break Kit	
562P3	119
Slide	
26493	117
Slide Extension Kit	
201915	17
Spline Insert	
29728	109, 111
Spring Clip	
210202	91, 93, 97, 101
Spring Hook Tool	
321P4	133
Strain Relief	
38384	79
Support Barrel	
56534	73, 79
Switch	
201952	17
27761	31, 33, 35, 37, 39, 41, 43, 53, 55, 57
27762	31, 41
33445	81
37830	81
431159	19
512973	23, 25

Switch Assembly	
39256	81
55882	53, 55, 57, 59, 63, 67
Switch Knob	
39897	31, 33, 35, 37, 39, 41, 43, 53, 55, 57, 59
Switch Mount Assembly	
201917P	17
Switch Mounting Plate	
29676	75

## T

Terminal Block	
36841	53
Terminal Extractor Tool	
283P4	125
Timer	
28716P	7
28719P	7
31111P	9
31504P	9
34601P	9
34603P	9
34604	9
35368P	9
Timer Bracket	
35249	9
Timer Case Assembly	
37733W	7, 27, 29
Timer Harness Assembly	
29281P	9
39806P	9
Timer Knob Assembly	
26256	7
Timer Plate	
31864W	7
39481L	27
39481W	27, 29
Timer Wire Harness Assembly	
39811	7
Tool Kit	
725P3	133
Top	
39167LP	79
39167QP	79
39167WP	79
Top Assembly	
210173LP	79
210173QP	75, 79
210173WP	75, 79
39184QP	75
39184WP	75
39185LP	75, 79
39185WP	75, 79
39339Q	75
39339W	75
Top Shield	
39744	75, 79
Torx Bit	
281P4	133
282P4	133

N/A items do not appear in index.

Transformer	
201375P.....	21, 61, 63, 69
201587P.....	33, 43
201616P.....	33, 39, 43, 59
210018P.....	61, 69
803527P.....	61, 65, 67, 69
Transmission Assembly	
38165P.....	117
Transmission Case Assembly	
33223P.....	117
Transmission Cover Assembly	
37471.....	117
Transmission Oil	
27243P.....	117
Transmission Rebuild Kit	
RB150004.....	117
Transmission Sealant	
37577P.....	117
Tub Assembly	
39252P.....	109, 111
39387P.....	109, 111
Tub Cover and Gasket Assembly	
201430.....	113, 115
38573.....	113, 115
Tub Cover Gasket	
38359.....	113, 115
Tub Cover Removal Tool	
273P4.....	133
Tubing	
202700.....	113, 115
39124.....	113, 115
Tub-to-Pump Hose	
38351.....	119

---

## U

Upper or Lower Bearing	
28944RP.....	121

---

## W

Warning Label	
500049.....	113, 115
500314.....	113, 115
500316.....	69
Washer	
M400017.....	7, 27, 29, 31, 35, 37, 41, 43, 45, 47, 49, 51, 55, 57, 59, 61, 63, 65, 67
02431.....	7, 27, 29, 31, 35, 37, 41, 43, 45, 47, 49, 51, 55, 57, 59, 61, 63, 65, 67
03815.....	17
200608.....	61, 63, 65, 67, 69
202010.....	115
20290.....	83, 87
21456.....	117
21734.....	7, 27, 29, 53
21735.....	127
23225.....	7, 29
25100.....	71
25820.....	63
26509.....	117, 121
27015.....	121
28094.....	109, 111

29260.....	117
30627.....	7, 27, 29
35092.....	117
35535.....	121
37772.....	89, 93, 95, 101
39249.....	75, 79, 113, 115
504082.....	91, 93, 97, 101, 103
52549.....	91, 93, 97, 101, 103
802254.....	83, 87
803615.....	83, 87
81392.....	91, 93, 97, 101, 103
91176.....	31, 33, 35, 37, 39, 41, 43, 53, 55, 57, 59
Washtub Gasket	
39122.....	109, 111
Washtub Kit	
719P3.....	109
Water Hose	
F200116.....	83, 87
Weldment and Bearing Assembly	
39253.....	121
39254.....	121
Wire Clip	
36274.....	129
504034.....	129
51291.....	129
Wire Guard	
201595P.....	23
Wire Harness Assembly	
200978.....	135
201796P.....	135
202229P.....	135
34092P.....	7
36093P.....	135
38661P.....	137
38867.....	135
38870P.....	135
39805P.....	135
Wrench	
392P4.....	131

---

N/A items do not appear in index.