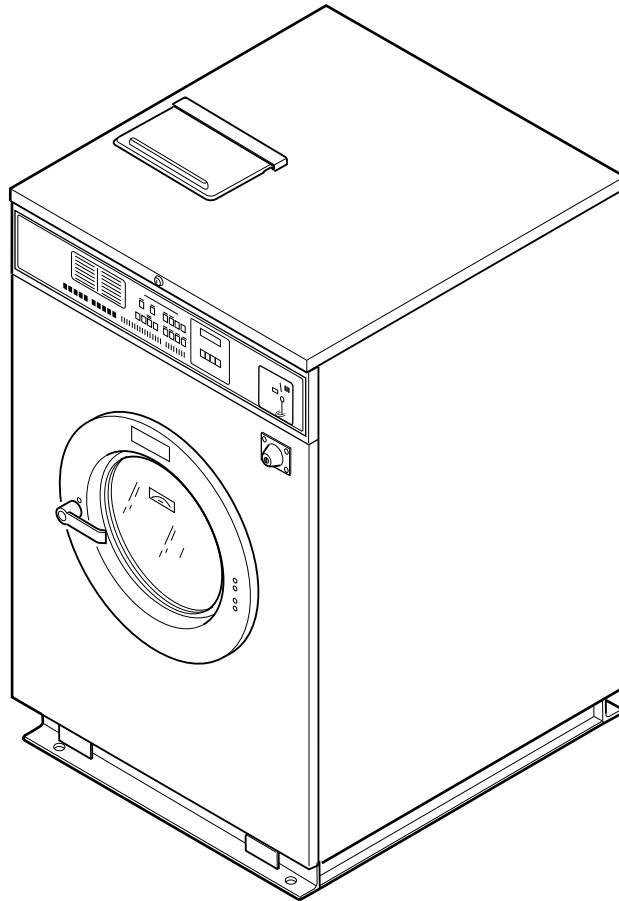


Washer-Extractor

Cabinet Hardmount

2 Speed Models with P, S or V Computers

Refer to Page 5 for Model Numbers



CHM1757C_F232190

Table of Contents

Title	Page
Parts Ordering Information.....	3
Serial Plate Location	3
Model Identification	5
Product Overview for A and B-Control.....	6
Product Overview for NetMaster, Mechanical Timer and P, S and V-Computer	8
Decals	10
Control Panel Decals and Controls - PN, SN and VN Models	12
Control Panel Decals and Controls - VC and VX Models	14
Control Module - PN and SN Models.....	16
Control Module - VC, VN and VX Models Through 8/1/04.....	18
Control Module - VC, VN and VX Models Starting 8/2/04.....	20
Contactors.....	22
Optional Coin Box	24
W2000 Coin Meter Assembly - VC and VX Models; Single Drop	26
W2000 Coin Meter Assembly - VC and VX Models; Dual Drop.....	28
Fill Plumbing Assembly and External Supply Assembly (Drawing 1 of 2).....	30
Fill Plumbing Assembly and External Supply Assembly (Drawing 2 of 2).....	32
Filter (Optional) and Supply Hose.....	34
Drain Valve Assembly - 20, 25 and 30 Pound Models.....	36
Drain Valve Assembly - 40, 50 and 60 Pound Models.....	38
Drain Valve Assembly, Hoses and Air Trap - 50 and 60 Pound Models with Heat Shell.....	40
Drain Assembly, Hoses and Air Trap - All Models Except 50 and 60 Pound Models with Heat Shell	42
Pump Drain Option - HC30, SC30 and UC30 E-Voltage Models.....	44
Pump Drain Option - All Models Except HC30, SC30 and UC30 E-Voltage Models	46
Door (Drawing 1 of 2).....	48
Door (Drawing 2 of 2).....	50
Door Lock - VC and VX Models	52
Door Lock - PN, SN and VN Models	54
Inner and Outer Front Panels - PN, SN and VN Models.....	56
Inner and Outer Front Panels - VC and VX Models	58
Panels (Drawing 1 of 2)	60
Panels (Drawing 2 of 2)	62
Basket, Shell and Frame (Drawing 1 of 2).....	64
Basket, Shell and Frame (Drawing 2 of 2).....	66
Trunnion - 20, 25 and 30 Pound Models.....	68
Trunnion - 40, 50 and 60 Pound Models.....	70
Motor, Pulley and Belt Assembly - 20, 25 and 30 Pound Models (Drawing 1 of 3).....	72
Motor, Pulley and Belt Assembly - 20, 25 and 30 Pound Models (Drawing 2 of 3).....	74
Motor, Pulley and Belt Assembly - 20, 25 and 30 Pound Models (Drawing 3 of 3).....	76
Motor, Pulley and Belt Assembly - 40, 50 and 60 Pound Models (Drawing 1 of 2).....	78
Motor, Pulley and Belt Assembly - 40, 50 and 60 Pound Models (Drawing 2 of 2).....	80

© Copyright 2014, Alliance Laundry Systems LLC

All rights reserved. No part of the contents of this book may be reproduced or transmitted in any form or by any means without the expressed written consent of the publisher.

Steam Heat Assembly	82
Electric Heat Option	84
Special Tools	86
Parts Index	89

Parts Ordering Information

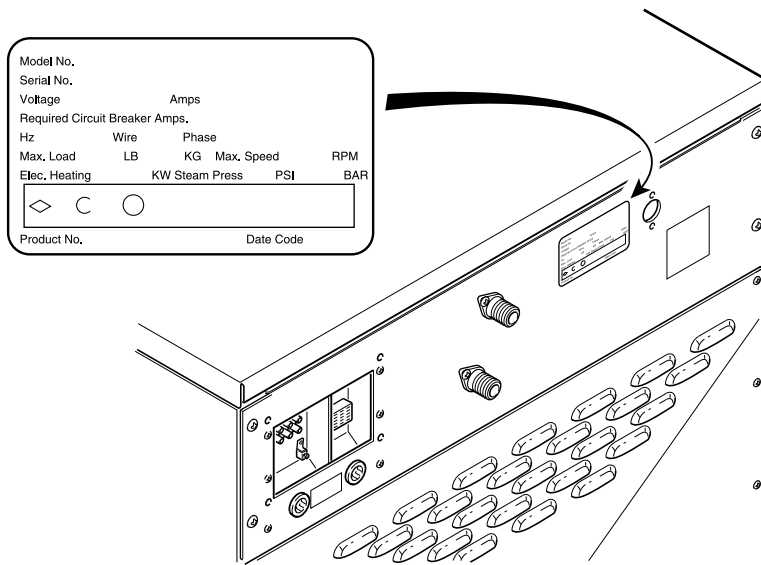
If literature or replacement parts are required, contact the source from whom the machine was purchased or contact Alliance Laundry Systems at (920) 748-3950 for the name and address of the nearest authorized parts distributor.

For technical assistance, call either of the numbers listed below:

(920) 748-3121 Ripon, Wisconsin
+32 56 41 20 54 Wevelgem, Belgium

Serial Plate Location

When calling or writing about your product, be sure to mention model and serial numbers. Model and serial numbers are located on serial plate(s) as shown.



CHM2411P_F232190

Model Identification

Information in this manual is applicable to these washer-extractor models:

HC20SN2	SC20VN2	UC20PN2
HC20VC2	SC30VN2	UC20VN2
HC20VX2	SC40VN2	UC30PN2
HC25VC2	SC50VN2	UC30VN2
HC25VX2	SC60VN2	UC40PN2
HC30SN2		UC40VN2
HC30VC2		UC50PN2
HC30VX2		UC50VN2
HC40SN2		UC60PN2
HC40VC2		UC60VN2
HC40VX2		
HC50SN2		
HC50VC2		
HC50VX2		
HC60SN2		
HC60VC2		
HC60VX2		

NOTE: This manual applies to all P, S and V-computer 40-pound capacity models and to design 6 models only of every other capacity

Product Overview for A and B-Control

1
2
3
4
5
6
7
8

Model No. *C40AC20U60001

Serial No. 0000000000

Voltage 208 – 240 Amps 7


Required Circuit Breaker Amps 15

Hz 60 Wire 3 Phase 3

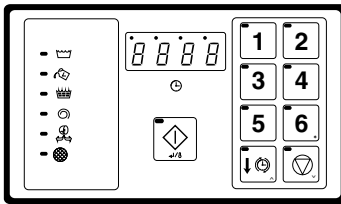
Max. Load 40 LB 18.2 KG Max. Speed 470 RPM

Elec. Heating N/A KW Steam Press. N/A PSI 0 BAR

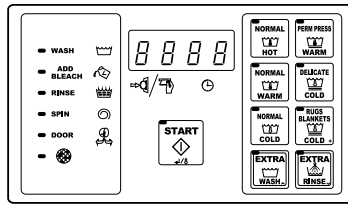
Drawing:



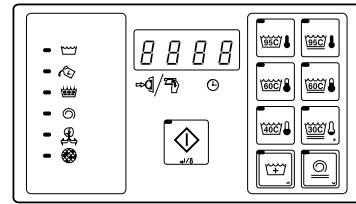
ETL LISTED
 CONFORMS TO
 ANSUL STD. 1555
 ANSUL STD. 1206
 ETL TESTING LABORATORIES, INC.
 CORTLAND, NEW YORK 13045



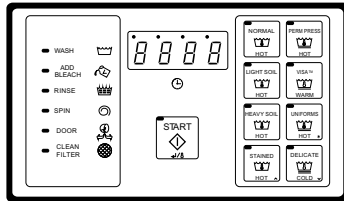
A-Control OPL



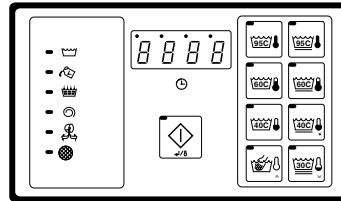
A-Control Coin (Domestic)



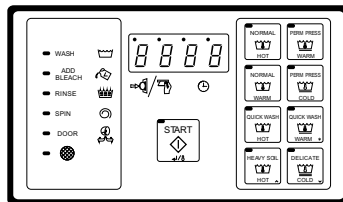
A-Control Coin (International)



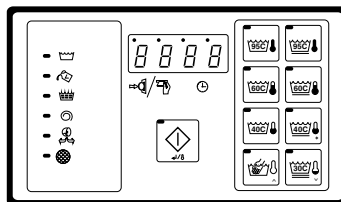
B-Control OPL (Domestic)



B-Control OPL (International)



B-Control Coin (Domestic)



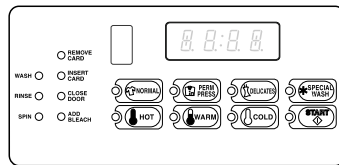
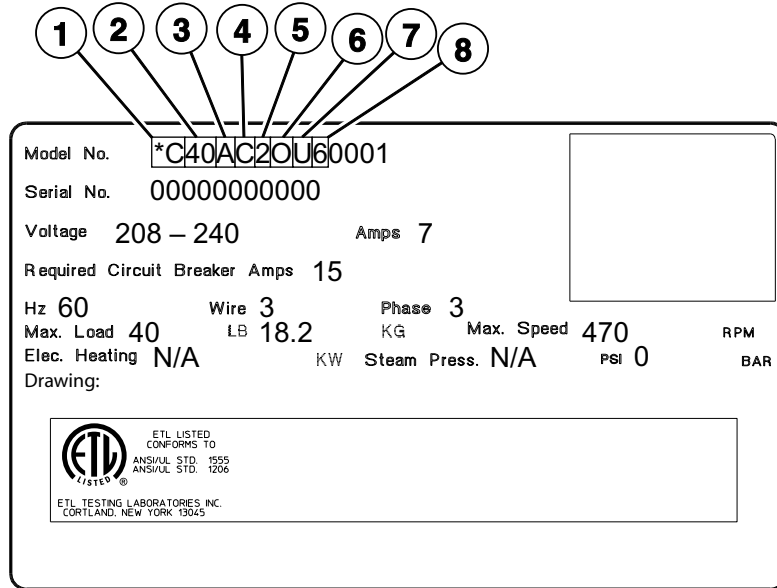
B-Control Coin (International)

CHM2976P_F232190

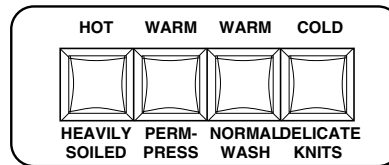
Product Overview for A and B-Control

REF	PART NO.	DESCRIPTION	COMMENTS
1	-	Product Family	DC HC NC SC UC
2	-	Capacity (Pounds)	18 20 25 27 30 35 40 50 60 80 100 125
3	-	Control	A (A-Control) B (B-Control)
4	-	Actuation	C (Drop Coin Meter) D (Digital Coin Meter) L (Prep for Remote/Central Pay) N (Non-Coin - OPL) R (Cardmate Plus II) X (Prep for Coin Meter) Y (Prep for Card Reader)
5	-	Speed	2 (2-Speed) 3 (3-Speed) F (F-Speed) V (Variable Speed)
6	-	Voltage	B (120/60/1/2) C (380-415/50/3/3) D (220-240/50/3/3) E (220-240/50/1/2) F (440-480/60/3/3) J (220/50/3/3) N (440-480/50-60/3/3) O (200-240/60/3/3) P (380-415/50-60/3/3) Q (200-240/50-60/3/3) X (200-240/50-60/1/3) Y (208-240/60/1/2)
7	-	Side Panel	N (Network Board Installed) P (Network Adaptable) U (Standard Specs) 1 (Stainless Steel) 2 (Network Board Installed with Stainless Sides) 3 (Network Adaptable with Stainless Sides)
8	-	Design	1-4 and 6

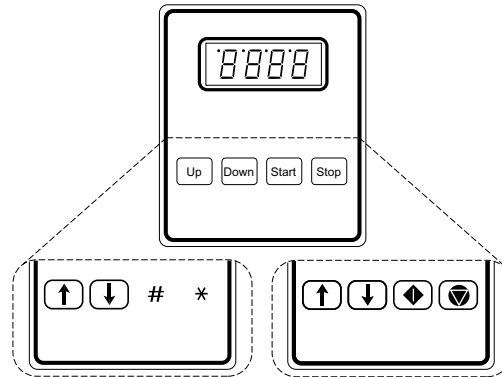
Product Overview for NetMaster, Mechanical Timer and P, S and V-Computer



NetMaster



Mechanical Timer



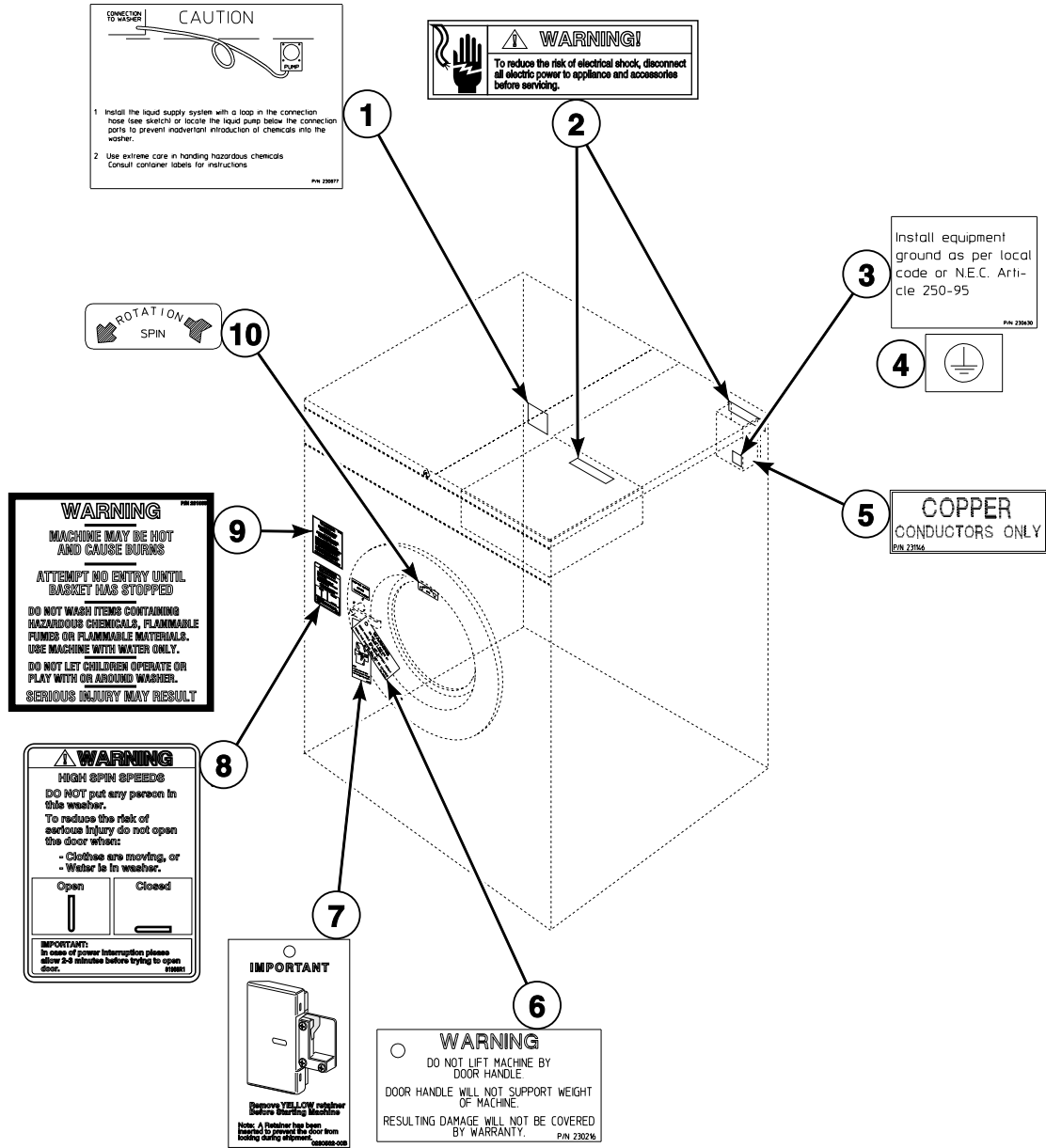
P, S and V-Computer

CHM2977P_F232190

Product Overview for NetMaster, Mechanical Timer and P, S and V-Computer

REF	PART NO.	DESCRIPTION	COMMENTS
1	-	Product Family	DC HC NC SC UC
2	-	Capacity (Pounds)	18 20 25 27 30 35 40 50 60 80 100 125
3	-	Control	M (Mechanical Timer) N (NetMaster) P (P-Computer) S (S-Computer) V (V-Computer)
4	-	Actuation	C (Drop Coin Meter) D (Digital Coin Meter) L (Prep for Remote/Central Pay) N (Non-Coin - OPL) R (Cardmate Plus II) X (Prep for Coin Meter) Y (Prep for Card Reader)
5	-	Speed	2 (2-Speed) 3 (3-Speed) F (F-Speed) V (Variable Speed)
6	-	Voltage	B (120/60/1/2) C (380-415/50/3/4) D (220-240/50/3/3) E (220-240/50/1/2) F (440-480/60/3/3) J (220/50/3/3) N (440-480/50-60/3/3) O (200-240/60/3/3) P (380-415/50-60/3/3) Q (200-240/50-60/3/3) X (200-240/50-60/1/3) Y (208-240/60/1/2)
7	-	Side Panel	N (Network Board Installed) P (Network Adaptable) U (Standard Specs) 1 (Stainless Steel) 2 (Network Board Installed with Stainless Sides) 3 (Network Adaptable with Stainless Sides)
8	-	Design	1-4 and 6

Decals

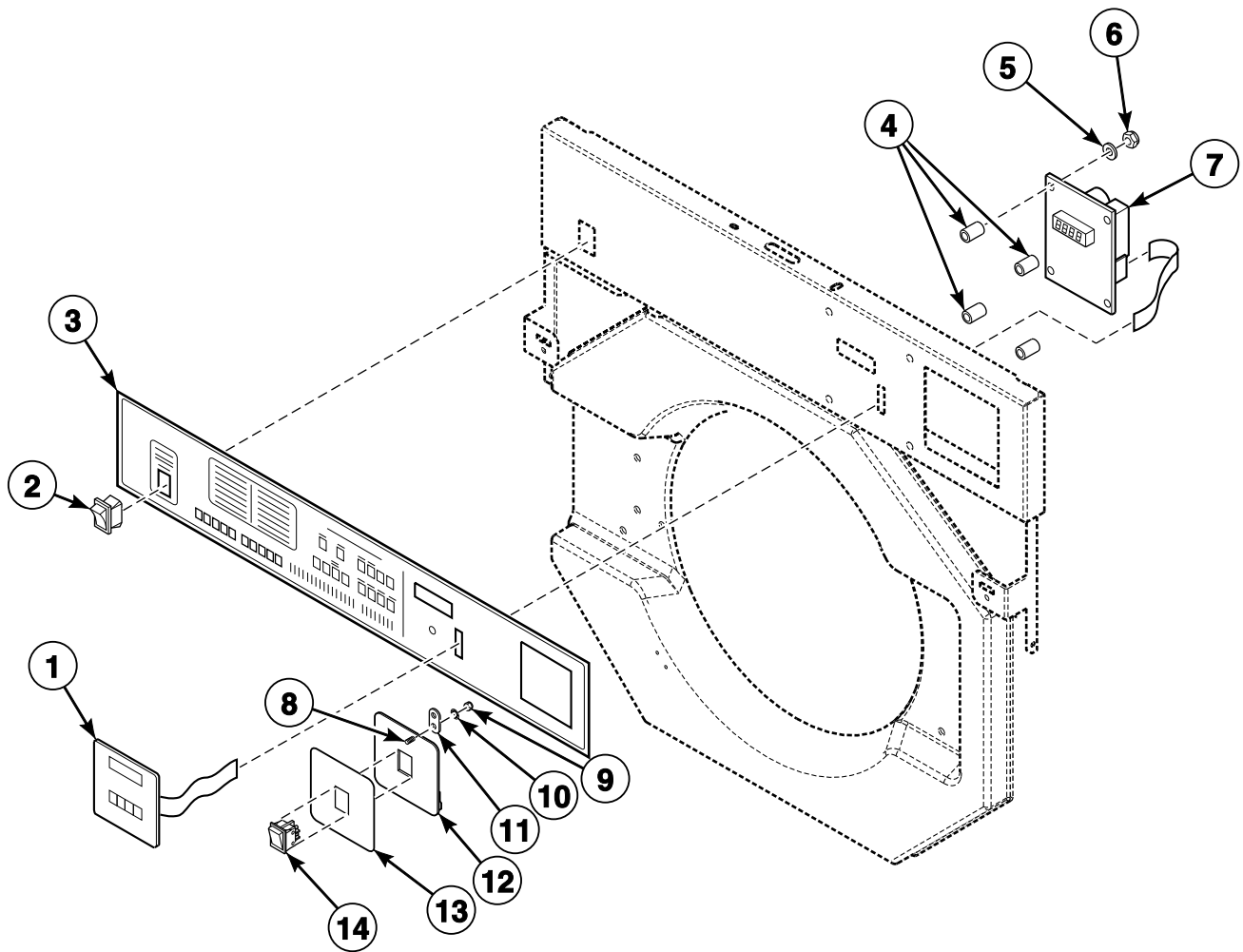


CHM2542P_F232190

Decals

REF	PART NO.	DESCRIPTION	COMMENTS
1	F230877	Liquid Supply Decal	PN, SN and VN models
2	505281	Disconnect Power Warning Label	
3	F230630	Ground Decal	
4	F230739	Ground Decal	
5	F231146	Conductor Decal	
6	F230216	Do Not Lift Decal	
7	F230528	Remove Door Lock Tag	PN, SN and VN models
8	81968	Door Warning Label	
9	F231065	Personal Injury Warning Decal	
10	F230693	Counterclockwise Spin Rotation Decal	English
	F230914	Spin Rotation Decal	Universal

Control Panel Decals and Controls - PN, SN and VN Models



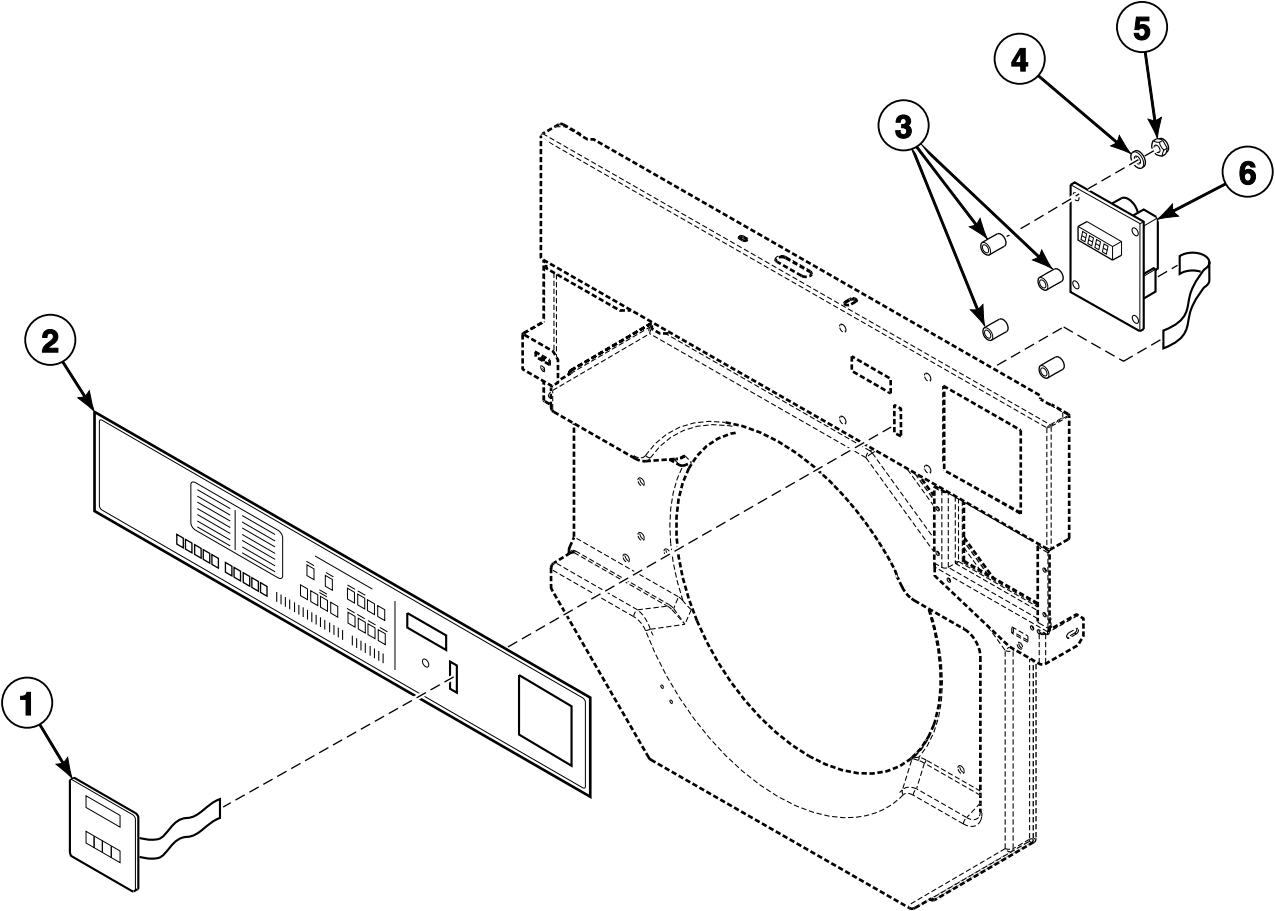
CHM2486P_F232190

Control Panel Decals and Controls - PN, SN and VN Models

REF	PART NO.	DESCRIPTION	COMMENTS
1	F370576P	Keypad	UC models; English
	F340608P	Membrane Switch	SC models; English
	F340606P	Membrane Switch	SC and UC models; Icon
	F340614P	Membrane Switch	HC models
2	F340412	Momentary Switch	Models through 5/26/04
	F200120100	Momentary Switch	Models starting 5/27/04
3	F0231618-00	Control Panel Decal	Models UC20PN2 and UC20VN2; English
	N/A	Control Panel Decal	Models UC30PN2 and UC30VN2; English
	F0231608-00	Control Panel Decal	Models UC30PN2 and UC30VN2; Icon
	F0231601-32	Control Panel Decal	Models UC40PN2 and UC40VN2
	F200021041	Control Panel Decal	Models UC50PN2, UC50VN2, UC60PN2 and UC60VN2; English
	N/A	Control Panel Decal	Models UC50PN2, UC50VN2, UC60PN2 and UC60VN2; Icon
	F231467	Control Panel Decal	Model SC20VN2
	F231468	Control Panel Decal	Model SC30VN2
	F0231602-32	Control Panel Decal	Model SC40VN2
	F231470	Control Panel Decal	Models SC50VN2 and SC60VN2
	N/A	Control Panel Decal	Model HC20SN2
	N/A	Control Panel Decal	Model HC30SN2
	F0231603-32	Control Panel Decal	Model HC40SN2
	N/A	Control Panel Decal	Models HC50SN2 and HC60SN2
	4	F401206	Spacer
5	F431113	Washer	
6	F431022	Nut	
7	F370313-30P	Microcomputer	V computer
	F370555-11P	Board	P and S computer; Armstrong
	F370555-01P	Computer	P and S computer
8	F430173	Screw	
9	F430232	Nut	
10	F431106	Washer	
11	F601515	Clip	
12	F633098	Switch Plate Sub-Assembly	
13	F230840	Switch Plate Decal	SC and UC models; English
	N/A	Switch Plate Decal	SC and UC models; Icon
	N/A	Switch Panel Decal	HC models
14	F340411	Rocker Switch	Red

N/A = Part no longer available

Control Panel Decals and Controls - VC and VX Models



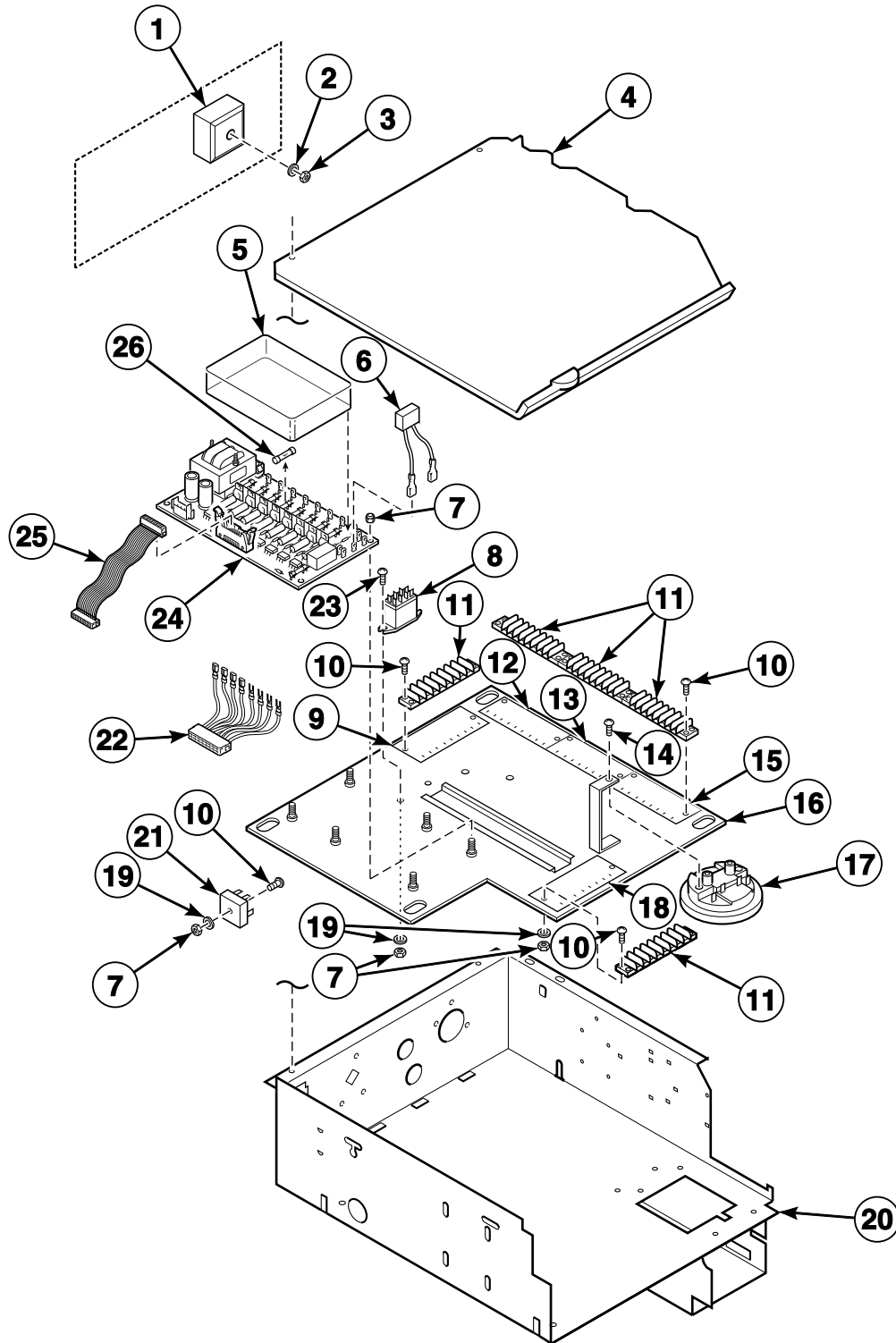
CHM2487P_F232190

Control Panel Decals and Controls - VC and VX Models

REF	PART NO.	DESCRIPTION	COMMENTS
1	F340615P	Membrane Switch	
2	N/A	Control Panel Decal	Models HC20VC2, HC20VX2, HC25VC2 and HC25VX2
	N/A	Control Panel Decal	Models HC30VC2 and HC30VX2
	F0231604-31	Control Panel Decal	Models HC40VC2 and HC40VX2
	F231553	Control Panel Decal	Models HC50VC2, HC50VX2, HC60VC2 and HC60VX2
3	F401206	Spacer	
4	F431113	Washer	
5	F431022	Nut	
6	F370313-40P	Microcomputer	

N/A = Part no longer available

Control Module - PN and SN Models

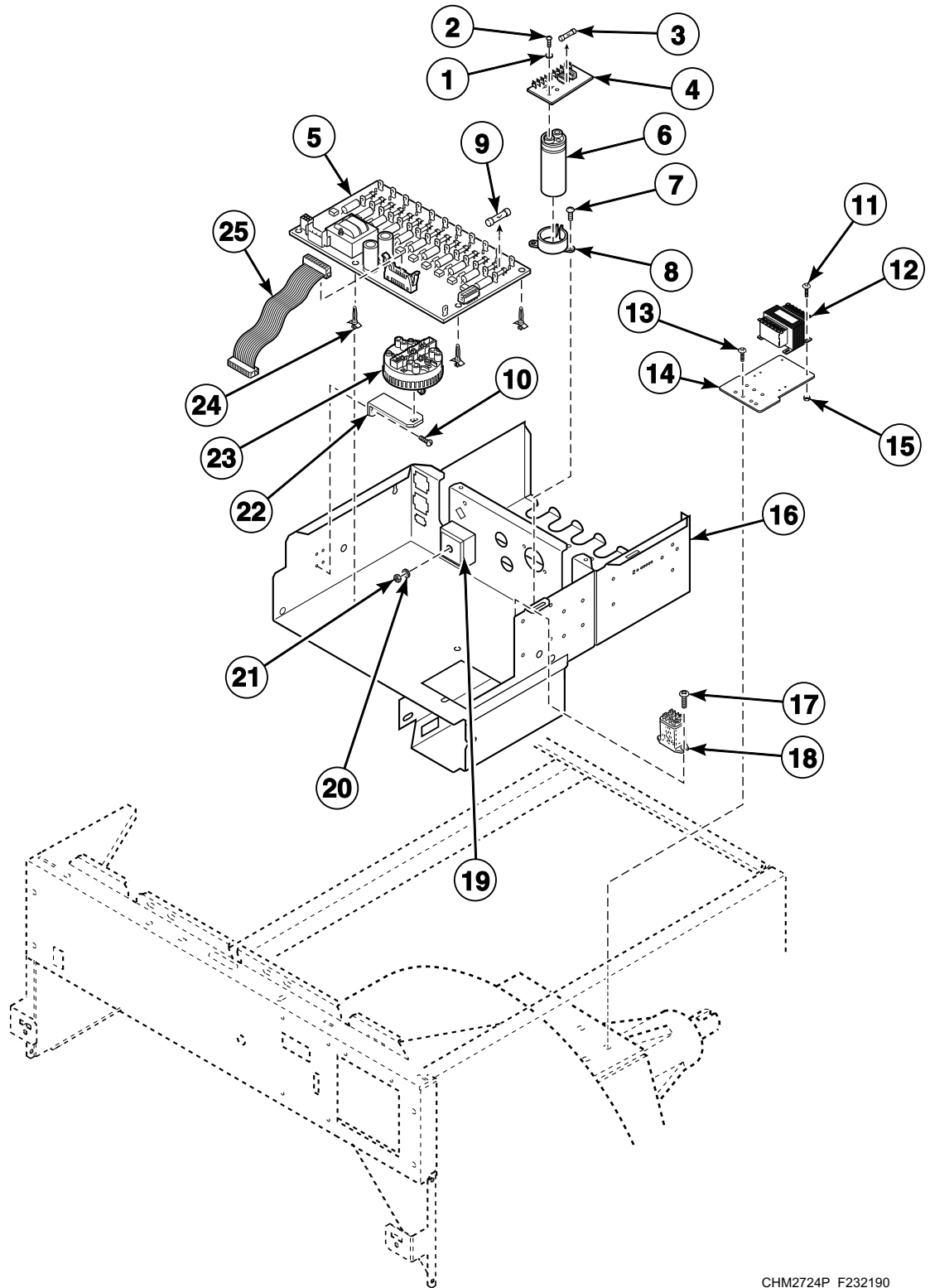


CHM2551P_F232190

Control Module - PN and SN Models

REF	PART NO.	DESCRIPTION	COMMENTS
1	F200025200P	Door Lock Time Delay	
2	F431100	Washer	
3	F430211	Nut	
4	F0637179-00	Module Box Cover	
5	F140423	Cover	
6	F330217P	RC Network Filter	
7	F431022	Nut	
8	F330227	Flange Relay	120 Volt
	F330230	Flange Relay	220 Volt
9	F140912	Terminal Strip Insulator Decal	1-8
10	F430916	Screw	
11	F140738	Terminal Strip	
12	F140913	Terminal Strip Insulator Decal	9-16
13	F140914	Terminal Strip Insulator Decal	17-24
14	F430928	Screw	
15	F140915	Terminal Strip Insulator Decal	25-32
16	F0606950-02	Electrical Panel Sub-Assembly	
17	F0340343-10P	Water Level Switch	Models HC20SN2, HC30SN2, UC20PN2 and UC30PN2
	F8134602P	Pressure Switch	Models HC40SN2 and UC40PN2
	F0340345-10P	Water Level Switch	Models HC50SN2, HC60SN2, UC50PN2 and UC60PN2
18	F140916	Terminal Strip Insulator Decal	33-40
19	F431113	Washer	
20	F0637033-01	Control Box Assembly	
21	F370310	Bridge Rectifier	
22	F141871P	Input Harness Kit	
23	F430917	Screw	
24	F370449P	Output Board CCA	120 Volt
	F370450P	Output Board CCA	220 Volt
25	F140216P	Ribbon Cable	
26	F350110	Fuse	1 Amp; Slo blo
	F350109	Fuse	.5 Amp; Fast blo

Control Module - VC, VN and VX Models Through 8/1/04



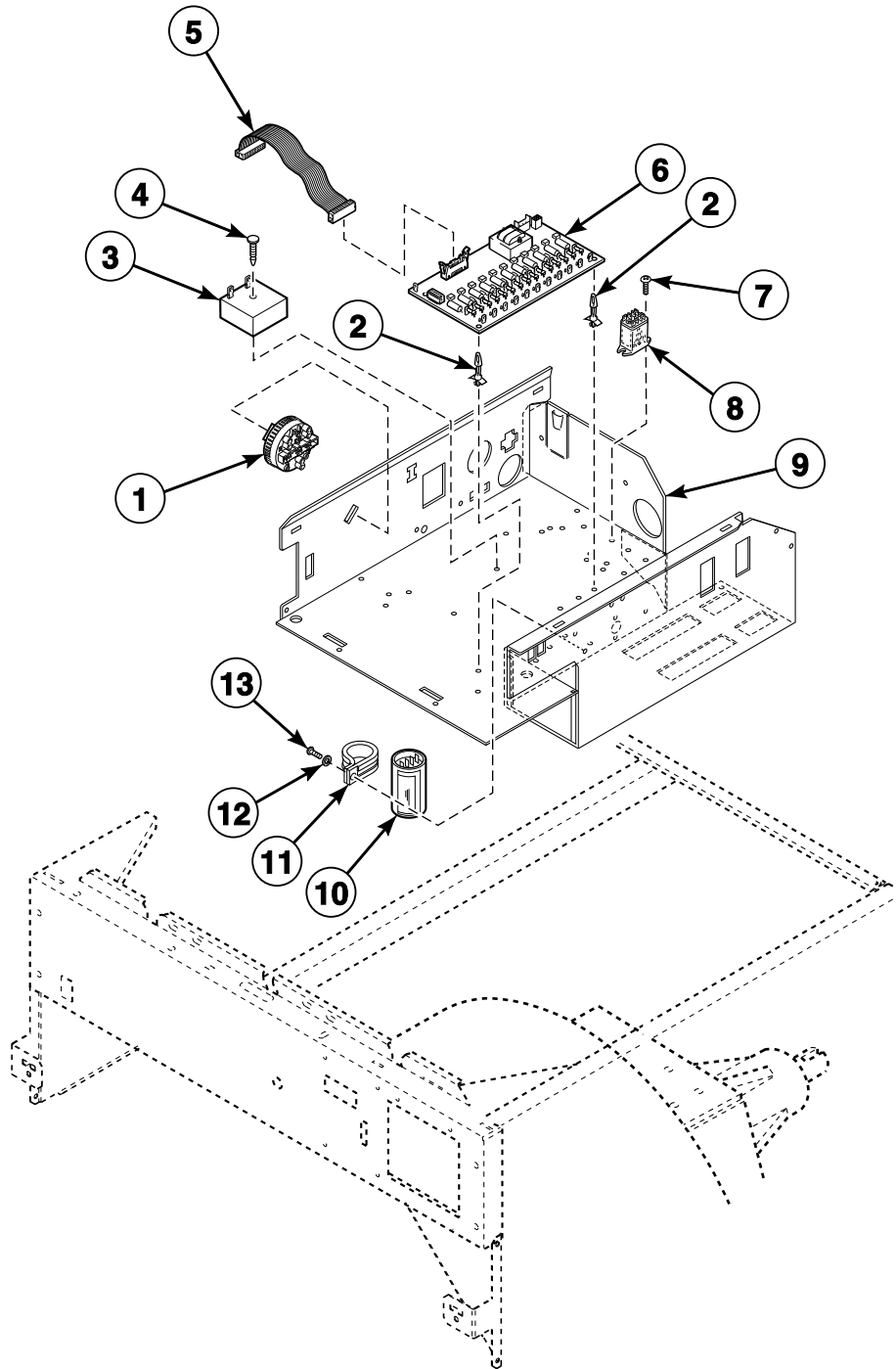
CHM2724P_F232190

Control Module - VC, VN and VX Models Through 8/1/04

REF	PART NO.	DESCRIPTION	COMMENTS
	F200296000P	Computer and Door Lock Harness	Use with F037044860-2 Output CCA
1	F431108	Washer	VC and VX models
2	201415	Screw	VC and VX models
3	F350110	Fuse	VC and VX models
4	F0632387-01P	Door Lock CCA	120 Volt; VC and VX models
	N/A	Door Lock CCA	220 Volt; VC and VX models
5	F8206501P	Output Board VCMP Assembly	120 Volt
	F8206502P	Output Board VCMP Assembly	220 Volt; VN models through 7/22/04; VC and VX models
	F037044860-2	Output CCA	220 Volt; VN models starting 7/23/04
6	F370225P	Capacitor	VC and VX models
7	F430917	Screw	VC and VX models
8	F140612P	Capacitor Mounting Clamp	VC and VX models
9	F350108	Fuse	1/8 Amp
	F350109	Fuse	1/2 Amp
	F350110	Fuse	1 Amp
10	N/A	Screw	
11	F430108	Screw	
12	F360117P	Transformer	Models without pump drain option
	F350125	Fuse	1 Amp
13	F430107	Screw	
14	F200167700	Transformer Mounting Bracket	
15	F430215	Nut	
16	F0636969-00	Control Box Assembly	VC and VX models
	F0636969-01	Control Box Assembly	VN models
17	N/A	Screw	
18	F330227	Flange Relay	120 Volt
	F330230	Flange Relay	220 Volt
19	F200025200P	Door Lock Time Delay	VC and VX models
20	F431100	Washer	VC and VX models
21	F430211	Nut	VC and VX models
22	F631920	Water Level Switch Bracket	
23	F0340343-10P	Water Level Switch	HC20, HC25, HC30, SC20, SC30, UC20 and UC30 models
	F8134602P	Pressure Switch	HC40, SC40 and UC40 models
	F0340345-10P	Water Level Switch	HC50, HC60, SC50, SC60, UC50 and UC60 models
24	F180501	Standoff	4 required
25	F140247	Ribbon Cable	Connects output board cca to microcomputer

N/A = Part no longer available

Control Module - VC, VN and VX Models Starting 8/2/04

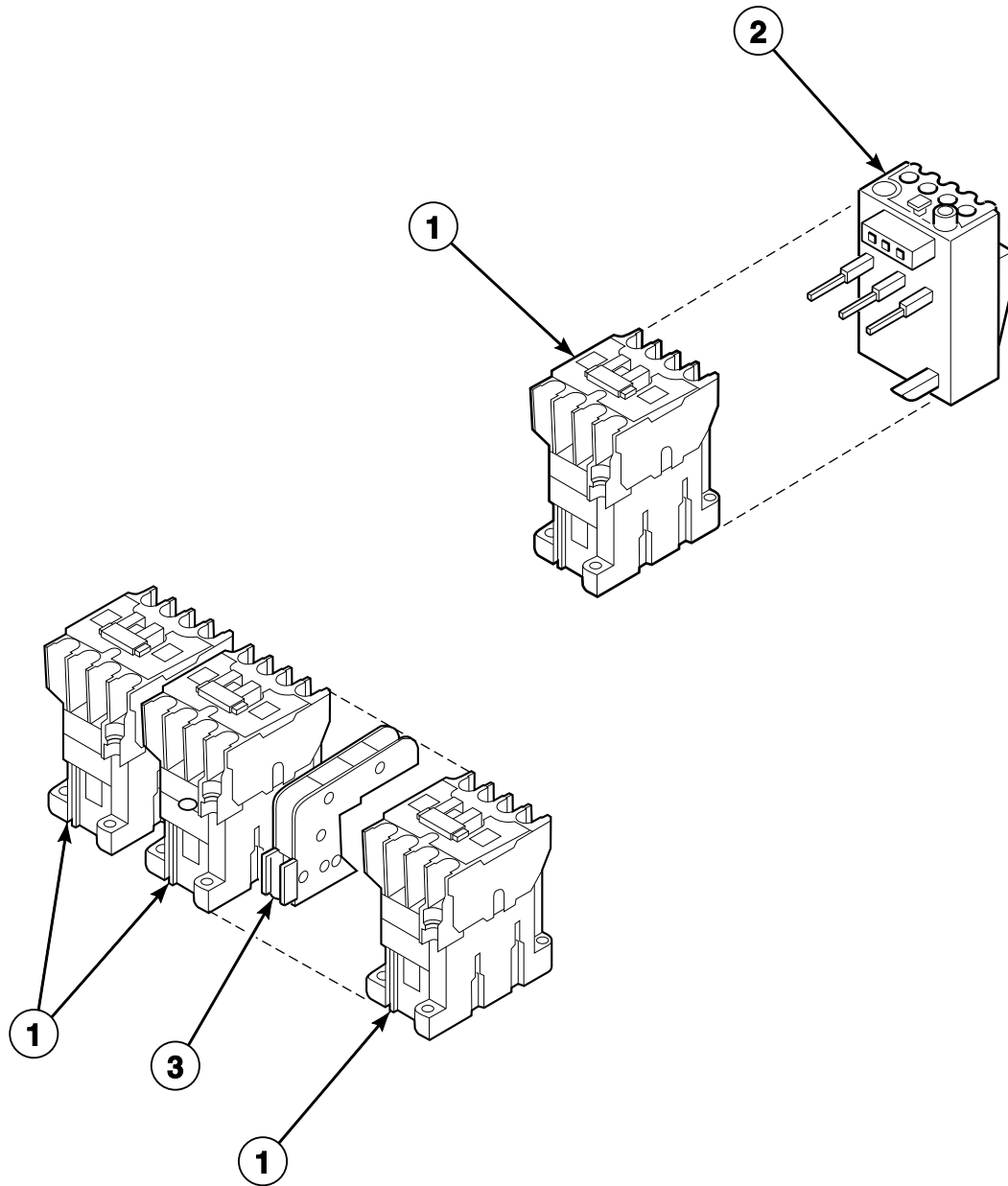


CHM2744P_F232190

Control Module - VC, VN and VX Models Starting 8/2/04

REF	PART NO.	DESCRIPTION	COMMENTS
1	F0340343-10P	Water Level Switch	HC20, HC25, HC30, SC20, SC30, UC20 and UC30 models
	F8134602P	Pressure Switch	HC40, SC40 and UC40 models
	F0340345-10P	Water Level Switch	HC50, HC60, SC50, SC60, UC50 and UC60 models
2	F180501	Standoff	4 required
3	F0330404-00P	Timer	VC and VX models; VN models through 2/10/05
4	F0432316-00	Ratchet Fastener	VC and VX models; VN models through 2/10/05
5	F140247	Ribbon Cable	Connects output board cca to microcomputer
6	F8206502P	Output Board VCMP Assembly	220 Volt; VC and VX models
	F037044860-2	Output CCA	220 Volt; VN models
	F350108	Fuse	1/8 Amp
	F350109	Fuse	1/2 Amp
	F350110	Fuse	1 Amp
7	F0430165-00	Screw	VC and VX models; VN models through 2/10/05
8	F330230	Flange Relay	220 Volt; VC and VX models; VN models through 2/10/05
9	F200100101	Module Box Assembly	VC and VX models
	F200100100	Module Box Assembly	VN models
10	F340002	Motor Switch	All 1 Phase models except B-voltage models
11	F0340722-00	Switch Clamp	
12	F430311	Washer	
13	F430177	Screw	

Contactors

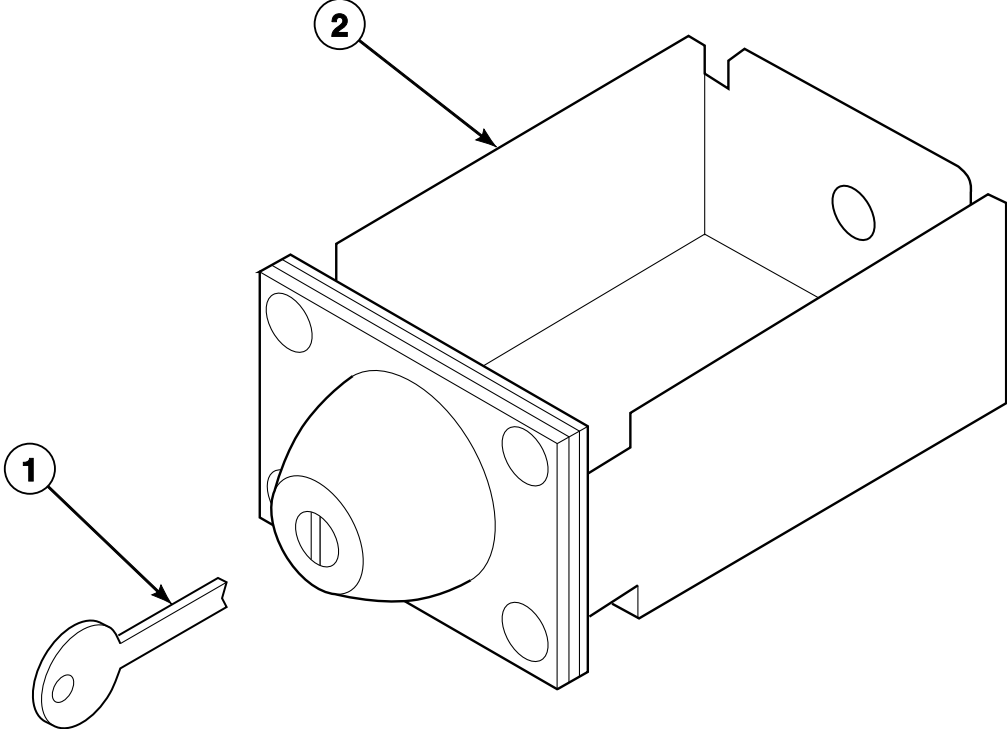


CHM1762P_F232190

Contactors

REF	PART NO.	DESCRIPTION	COMMENTS
1	F330175P	Contactator	120 Volt
	F330177P	Contactator	220 Volt
2	F8344001P	Overload Contactator	HC20, HC25, HC30, SC20, SC30, UC20 and UC30 models; E and Y-voltage
	F8176101P	Overload Contactator	HC40, SC40 and UC40 models Y-voltage; HC50, SC50 and UC50 models
3	F330186P	Interlock Contactator	

Optional Coin Box



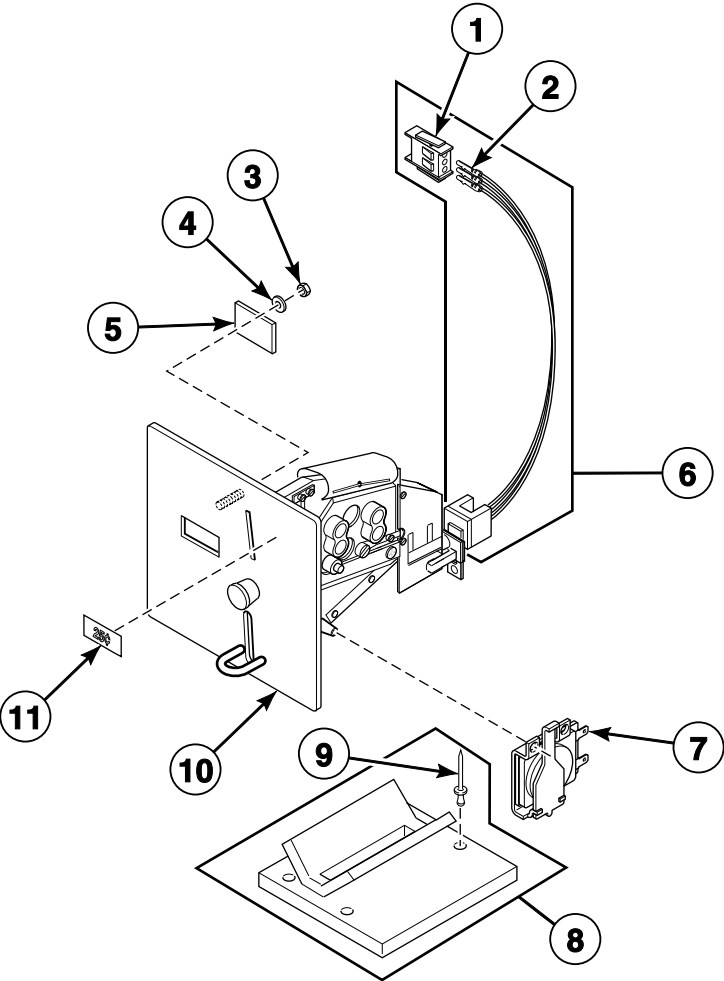
CHM1764P_F232190

Optional Coin Box

REF	PART NO.	DESCRIPTION	COMMENTS
1	F160420	Key	UG21
	F160421	Key	UG22
	N/A	Key	UG23
	F160423	Key	UG24
	N/A	Key	UG25
2	F160672	Coin Box	UG21; Long
	F160673	Coin Box	UG22; Long
	N/A	Coin Box	UG23; Long
	N/A	Coin Box	UG24; Long
	N/A	Coin Box	UG25; Long

N/A = Part no longer available

W2000 Coin Meter Assembly - VC and VX Models; Single Drop



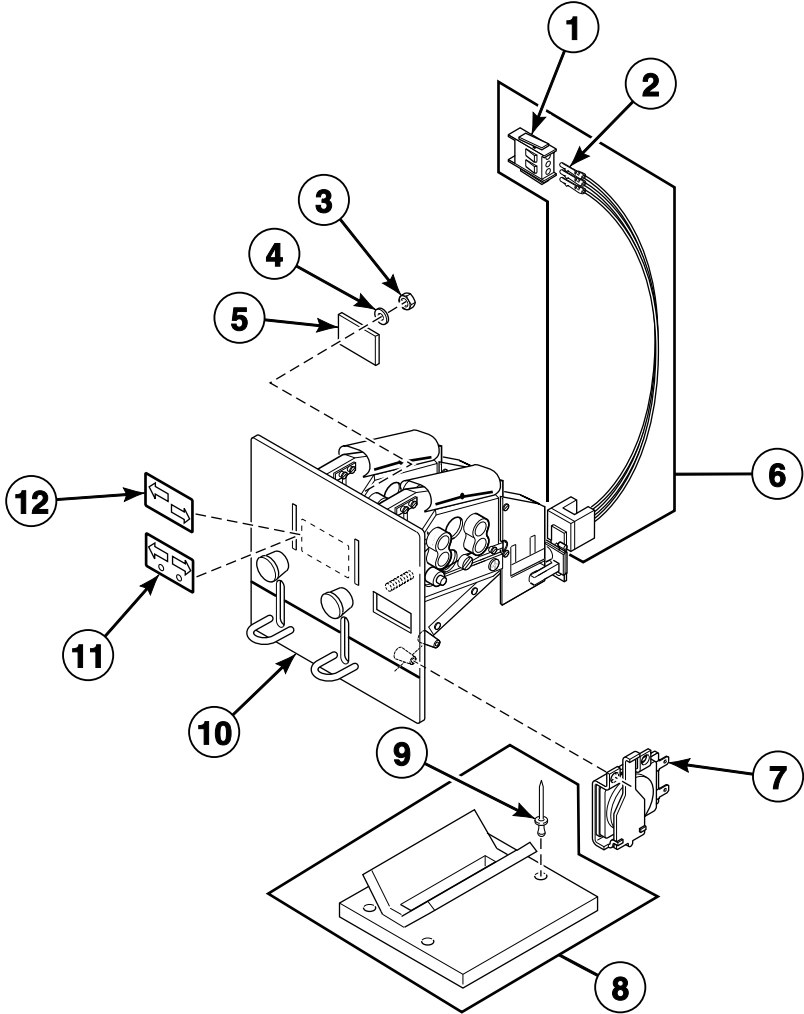
CHM2691P_F232190

W2000 Coin Meter Assembly - VC and VX Models; Single Drop

REF	PART NO.	DESCRIPTION	COMMENTS
1	F140571	Male Connector	
2	00430	Female Pin Terminal	
3	F430243	Nut	
4	N/A	Washer	
5	F608925	Coin Meter Insert	
6	F775801-03P	Optic Switch Kit	Includes items 1 and 2
7	F160466P	Coin Meter Blocking Coil	120 Volt
	F160467P	Coin Meter Blocking Coil	220 Volt
8	F200002502P	Coin Guide Assembly	Includes item 9
9	F431215	Pop Rivet	
10	F200003800P	Coin Meter Assembly	U.S. \$.25; 120 Volt; Includes items 1-7, 11 and F775302-03 Coin Meter Kit
	F200003801	Coin Meter Assembly	10 Taiwan; 120 Volt; Includes items 1-7 and F200115001 Coin Meter Assembly
	F200003802P	Coin Meter Assembly	.880 token; 220 Volt; Includes items 1-7 and F160692 Coin Meter
	F200003803	Coin Meter Assembly	.990 token; 120 Volt; Includes items 1-7 and F200115003 Coin Meter Assembly
	F200003805	Coin Meter Assembly	.990 token; 220 Volt; Includes items 1-7 and F160717 Coin Meter
	F200003806P	Coin Meter Assembly	U.S. \$.25; 220 Volt; Includes items 1-7, 11 and F160718 Coin Meter
	F200003807	Coin Meter Assembly	.08 jeton; 220 Volt; Includes items 1-7 and F160719 Coin Meter
	F200003808	Coin Meter Assembly	.800 token; 120 Volt; Includes items 1-7 and F0160735-00 Coin Meter
	F200003809	Coin Meter Assembly	500 wan and yen; 120 Volt; Includes items 1-7 and F0160739-00 Coin Meter
	F200003810	Coin Meter Assembly	.800 token; 220 Volt; Includes items 1-7
	F200003811	Coin Meter Assembly	500 wan and yen; 220 Volt; Includes items 1-7
	F200003812	Coin Meter Assembly	10 Taiwan; 220 Volt; Includes items 1-7
11	F231010	Coin Meter Insert Decal	.25 insert

N/A = Part no longer available

W2000 Coin Meter Assembly - VC and VX Models; Dual Drop



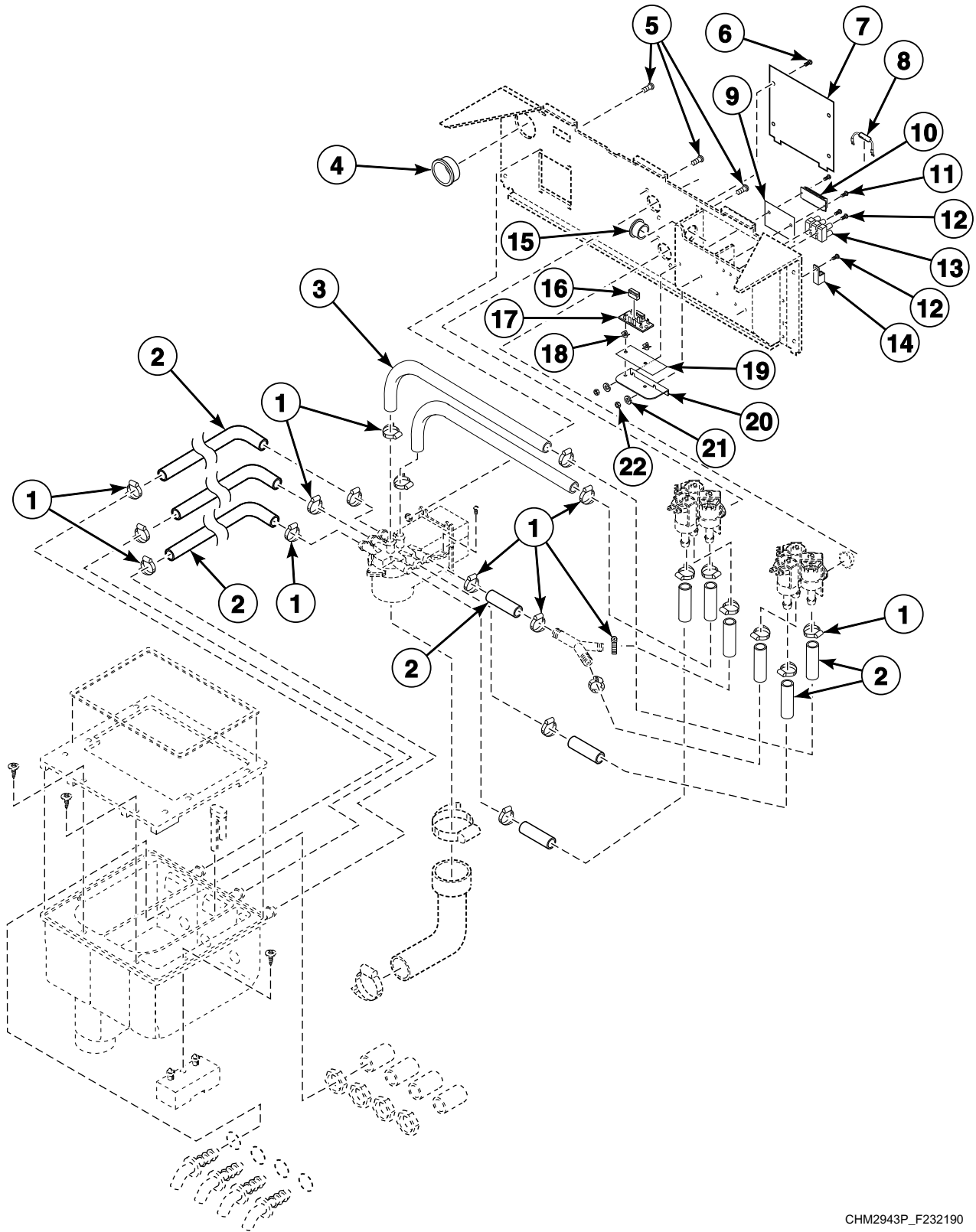
CHM2733P_F232190

W2000 Coin Meter Assembly - VC and VX Models; Dual Drop

REF	PART NO.	DESCRIPTION	COMMENTS
1	F140571	Male Connector	
2	00430	Female Pin Terminal	
3	F430243	Nut	
4	N/A	Washer	
5	F608925	Coin Meter Insert	
6	F775801-03P	Optic Switch Kit	Includes items 1 and 2
7	F160466P	Coin Meter Blocking Coil	120 Volt
	F160467P	Coin Meter Blocking Coil	220 Volt
8	F200002503	Coin Guide Assembly	Includes item 9
9	F431215	Pop Rivet	
10	F200005200	Coin Meter Assembly	U.K. 1 pound and 20 pence; 220 Volt; Includes items 1-7 and F160691 Coin Meter
	F200005201	Coin Meter Assembly	100 and 500 yen; 120 Volt; Includes items 1-7 and F160693 Coin Meter
	F200005202	Coin Meter Assembly	1 and 5 krona; 220 Volt; Includes items 1-7 and F160694 Coin Meter
	F200005203	Coin Meter Assembly	Australia 1.00 and .20; 220 Volt; Includes items 1-7 and F160695 Coin Meter
	F200005204	Coin Meter Assembly	1 and 5 rand; 220 Volt; Includes items 1-7 and F160698 Coin Meter
	F200005205	Coin Meter Assembly	1 and 5 shekel; 220 Volt; Includes items 1-7 and F160715 Coin Meter
	F200005206	Coin Meter Assembly	U.S. \$1.00 and .25; 120 Volt; Includes items 1-7, 11 and F0160730-00 Coin Meter
	F200005207	Coin Meter Assembly	100 and 500 peseta; 220 Volt; Includes items 1-7
	F200005208	Coin Meter Assembly	.50 and 2.00 euro; 220 Volt; Includes items 1-7, 11 and F0160736-00 Coin Meter
	F200005209	Coin Meter Assembly	Canada \$1.00 and .25; 120 Volt; Includes items 1-7, 11 and F0160740-00 Coin Meter
	F200005210	Coin Meter Assembly	U.S. \$1.00 and .25; 220 Volt; Includes items 1-7
	F200005211	Coin Meter Assembly	Canada \$1.00 and .25; 220 Volt; Includes items 1-7
F200005212	Coin Meter Assembly	100 and 500 yen; 220 Volt; Includes items 1-7	
11	F0231595-00	Coin Meter Decal	\$1 and .25
12	N/A	Coin Meter Decal	.50 and 2.00 euro

N/A = Part no longer available

Fill Plumbing Assembly and External Supply Assembly (Drawing 1 of 2)



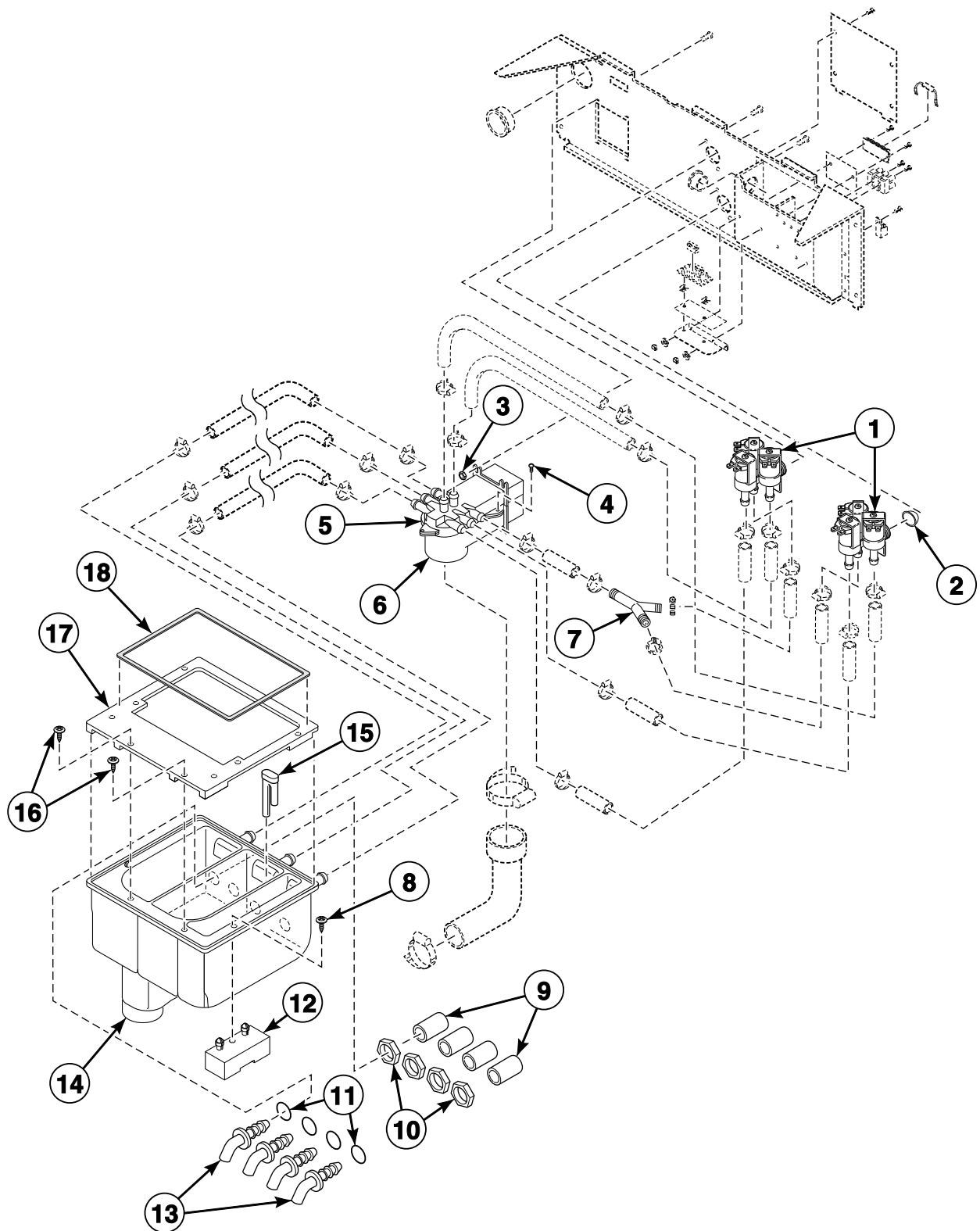
CHM2943P_F232190

Fill Plumbing Assembly and External Supply Assembly (Drawing 1 of 2)

REF	PART NO.	DESCRIPTION	COMMENTS
1	36801	Hose Clamp	No. 8
2	F0200244-01	Vacuum Breaker Hose	HC20, HC25, HC30, SC20, SC30, UC20 and UC30 models
	F0200244-00	Vacuum Breaker Hose	HC40, HC50, HC60, SC40, SC50, SC60, UC40, UC50 and UC60 models
3	F200108P	Water Hose	Order 8 feet
4	F200139500	Grommet	PN, SN and VN models
5	F430948	Screw	
6	F430174	Screw	
7	F602533	Input Power Connection Box Cover	
8	F370117	Resistor	120 Volt; PN and SN models; VN models through 8/1/04
	F370116	Resistor	220 Volt; PN and SN models; VN models through 8/1/04
9	F231376-1	External Supply Connection Decal	B-voltage
	F231376-2	External Supply Connection Decal	C-voltage
	N/A	External Supply Connection Decal	D, E and J-voltage
	F231376-5	External Supply Connection Decal	O and Y-voltage
	F231376-6	External Supply Connection Decal	F and H-voltage
10	F140766	Terminal	8 place
11	F430916	Screw	
12	F430903	Screw	
13	F140747	Input Power Block	PN, SN, VC and VX models; VN models through 8/1/04; Standard models; 3 terminal
	F140748	Input Power Block	PN, SN, VC and VX models; VN models through 8/01/04; Standard models; 2 terminal
	F140746	Input Power Block	PN, SN, VC and VX models; VN models through 8/1/04; Standard models; 4 terminal
	M413865	Terminal Block	PN, SN, VC and VX models; VN models through 8/1/04; Models with heat; 3 terminal
	F140755	Input Terminal Block	PN, SN, VC and VX models; VN models through 8/1/04; Models with heat; 4 terminal
	F0140795-00	Input Block	VN models; Models starting 8/2/04; 2 terminal
	F0140798-00P	Input Block	VN models; Models starting 8/2/04; 3 terminal
	F0140799-00	Input Block	VN models; Models starting 8/2/04; 4 terminal
14	F140734	Ground Terminal Lug	
15	F170615	Grommet	Models through 6/29/05
	F140938	Snap Bushing	Models starting 6/30/05
16	F350115	Fuse	3 Amp; PN, SN, VC and VX models; VN models through 8/1/04
17	F0350312-10	Fuse Holder	PN, SN, VC and VX models; VN models through 8/1/04
18	F180506	Standoff	PN, SN, VC and VX models; VN models through 8/1/04
19	F231271	External Supply Fuse Decal	3 Amp; PN, SN, VC and VX models; VN models through 8/1/04
20	F633512	Fuse Holder Bracket	PN, SN, VC and VX models; VN models through 8/1/04
21	F431113	Washer	PN, SN, VC and VX models; VN models through 8/1/04
22	F431022	Nut	PN, SN, VC and VX models; VN models through 8/1/04

N/A = Part no longer available

Fill Plumbing Assembly and External Supply Assembly (Drawing 2 of 2)



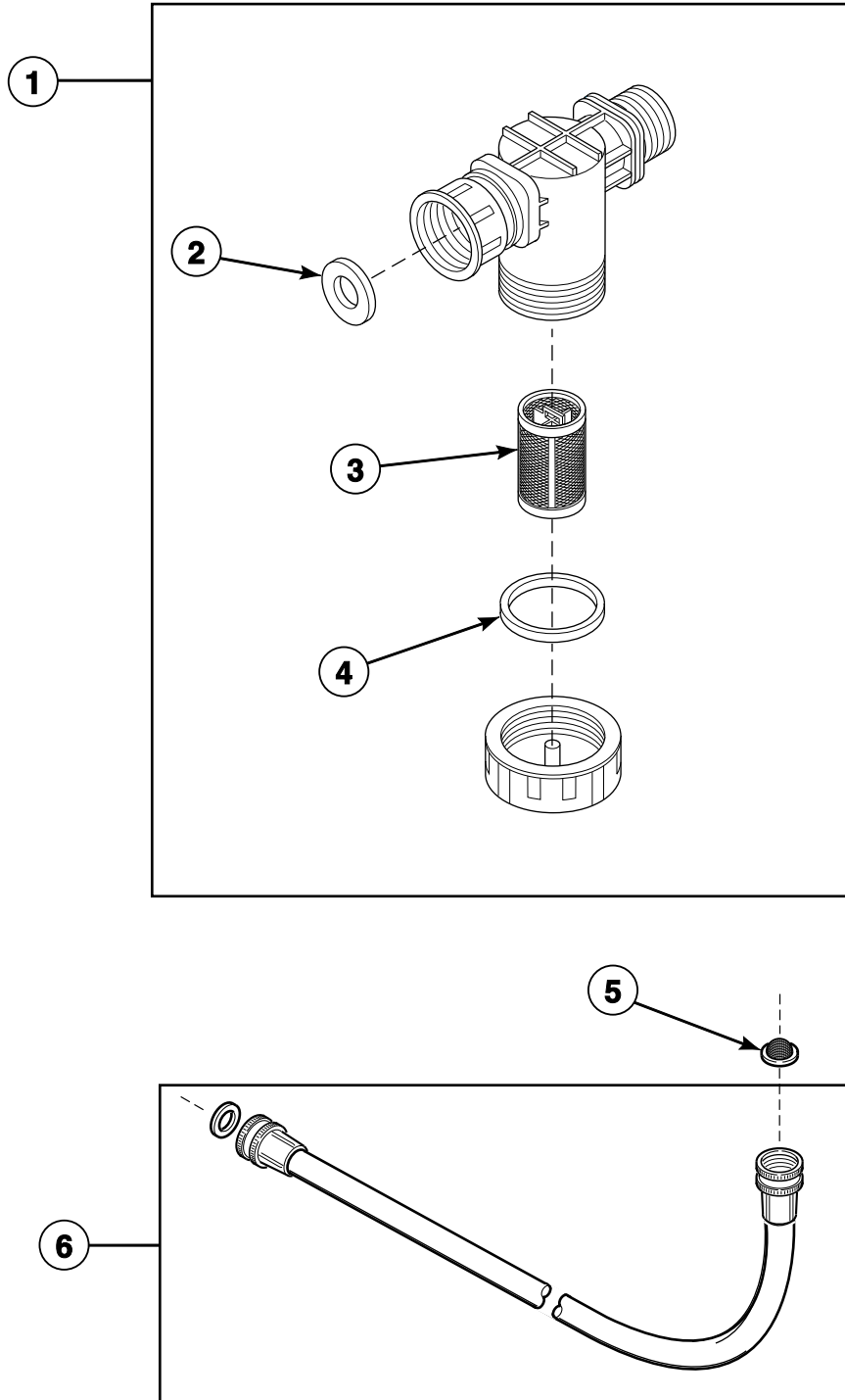
CHM2944P_F232190

Fill Plumbing Assembly and External Supply Assembly (Drawing 2 of 2)

REF	PART NO.	DESCRIPTION	COMMENTS
	G582P3	Diaphragm and Guide Kit	Elbi; Includes G300194 Armature Guide and G300202 Diaphragm; Use with F0381736-00P 3-Way Valve, F0381737-00P 3-Way Valve, F0381738-00P 3-Way Valve, F0381750-00P 3-Way Valve, F0381766-00P 3-Way Valve
1	F0381765-00P	3-Way Valve	Standard thread; Cold; 120 Volt
	F0381766-00P	3-Way Valve	Standard thread; Hot; 120 Volt
	F0381738-00P	3-Way Valve	Standard thread; Cold; 240 Volt
	F0381737-00P	3-Way Valve	Standard thread; Hot; 240 Volt
	F0381769-00P	3-Way Valve	Metric thread; Cold; 120 Volt
	N/A	3-Way Valve	Metric thread; Hot; 120 Volt
	F0381736-00P	3-Way Valve	Metric thread; Cold; 240 Volt
	F0381750-00P	3-Way Valve	Metric thread; Hot; 240 Volt
2	F270200	Strainer	
3	F430231	Nut	
4	F430177	Screw	
5	F0150329-00	Vacuum Breaker Top	
	F603031	Vacuum Breaker Assembly	Includes items 3 and 5
6	F015033000	Vacuum Breaker Bottom	
7	F422808	Y Connector	
8	F0430268-00	Screw	
9	F190303	Cap	
10	802292	Nut	
11	F170208	O-Ring	
12	F0150504-00	Supply Dispenser Standoff	
13	F8322001	Injection Nozzle	
	F730168	Injection Nozzle Kit	Includes items 9 and 10
14	F602374	Supply Dispenser Sub-Assembly	
	F200202201	Supply Dispenser Assembly	Includes items 8-12 and 14-17
15	F150390	Siphon Tube	
16	F430956	Screw	
17	F0150503-00	Supply Dispenser Bezel	
18	F0170190-00P	Bezel Gasket	

N/A = Part no longer available

Filter (Optional) and Supply Hose

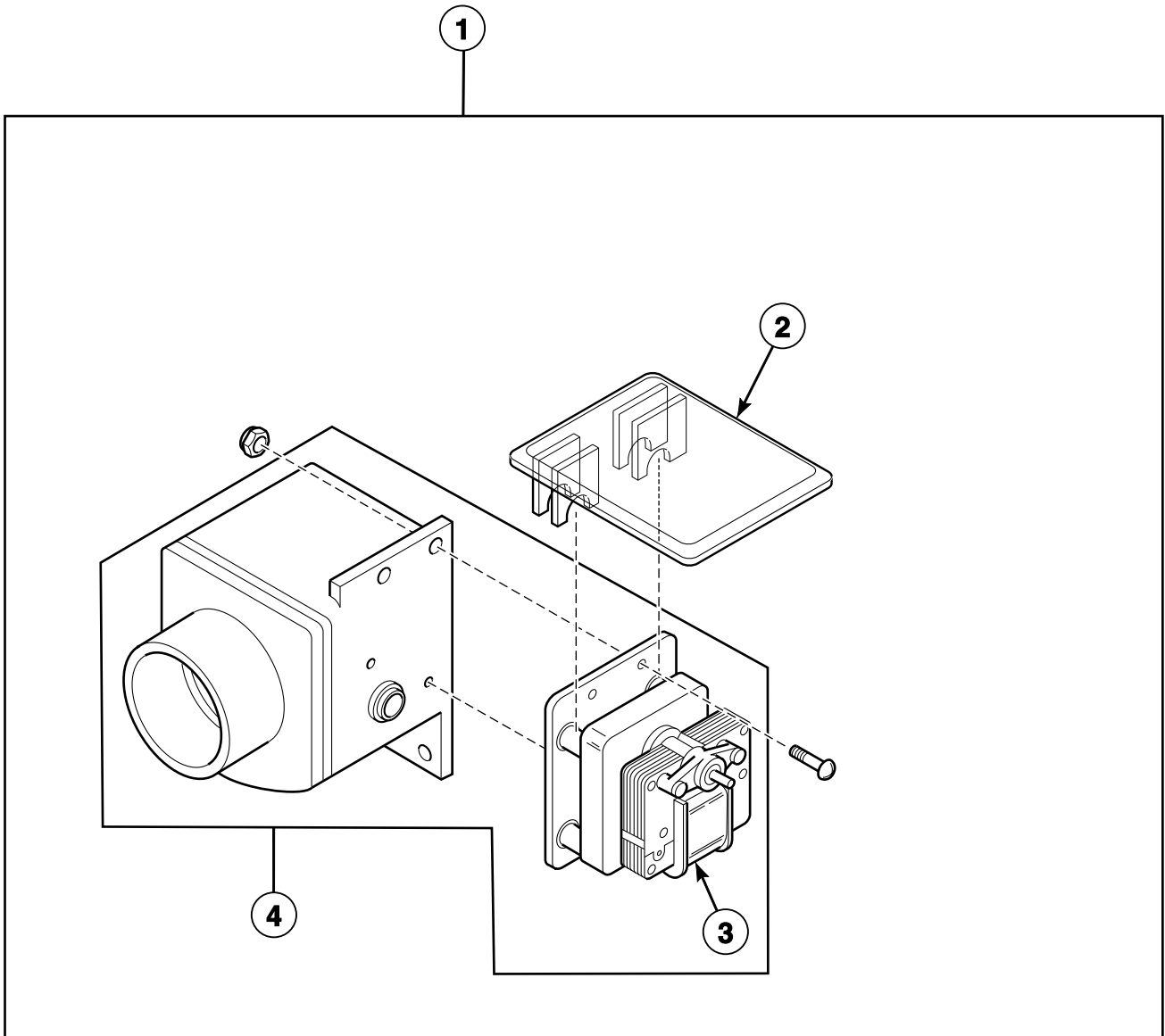


B091P_F232190

Filter (Optional) and Supply Hose

REF	PART NO.	DESCRIPTION	COMMENTS
1	F270306P	Filter	Standard thread
	F270305	Filter	Metric thread
2	20290	Washer	
3	F270406	Replacement Filter	.11 mm
	F270405	Replacement Filter	.25 mm
4	F270407	Filter Housing Cap Gasket	
5	803615	Washer	Filter
6	F200116	Water Hose	3/8 inch; Standard thread
	F200164	Water Hose	3/4 inch; Standard thread
	F200165	Water Hose	3/8 inch; Metric thread
	F200166	Water Hose	3/4 inch; Metric thread

Drain Valve Assembly - 20, 25 and 30 Pound Models

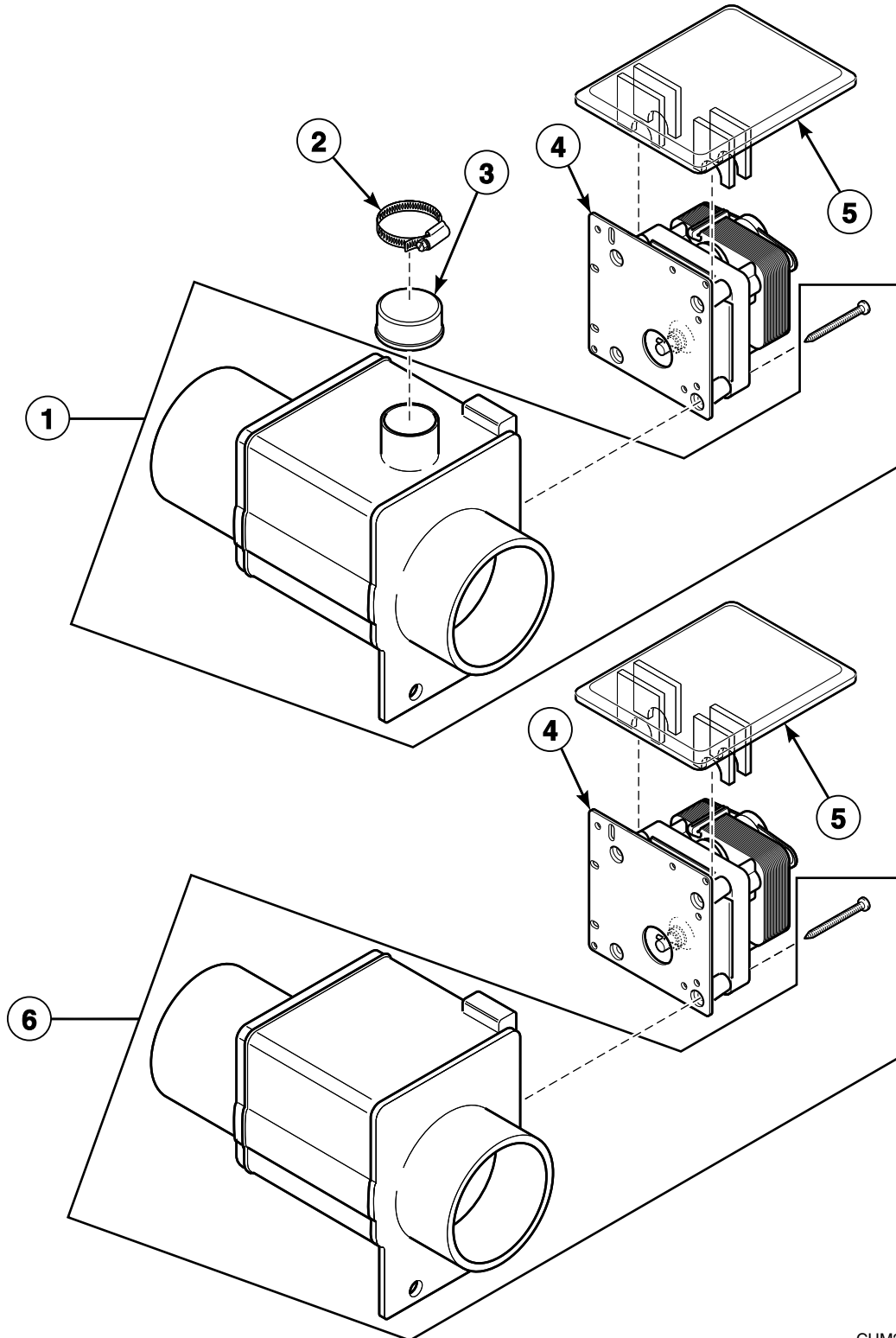


CHM2450P_F232190

Drain Valve Assembly - 20, 25 and 30 Pound Models

REF	PART NO.	DESCRIPTION	COMMENTS
	F8504601	Spring	
1	F602920	Drain Valve Assembly	120 Volt; Includes all items on the page, including the screw and nut
	F603175	Drain Valve Assembly	220 Volt; Includes all items on the page, including the screw and nut
2	F200133600	Drain Valve Cover	
3	F380932P	Drain Valve Motor	Round shaft; 120 Volt
	F380933P	Drain Valve Motor	Round shaft; 220 Volt
	F380943P	Drain Motor	Keyed shaft; 120 Volt
	G159764P	Drain Valve Motor and Gear Box Assembly	Keyed shaft; 220 Volt
	F380972P	Drain Valve Motor	Keyed shaft; 240 Volt
4	803293	Drain Valve	120 Volt; Includes item 3
	803292	Gravity Drain Valve	220 Volt; Includes item 3

Drain Valve Assembly - 40, 50 and 60 Pound Models



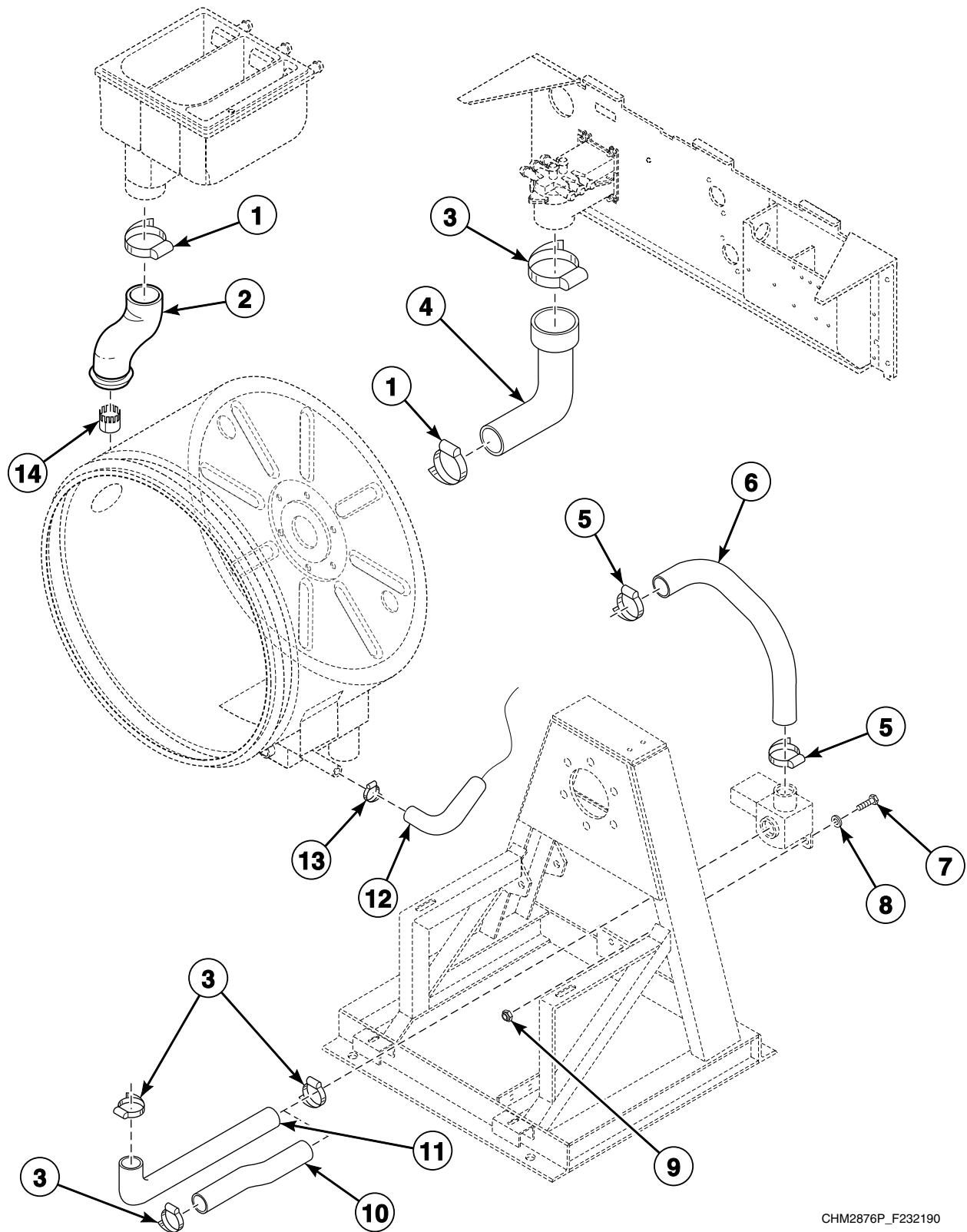
CHM2480P_F232190

Drain Valve Assembly - 40, 50 and 60 Pound Models

REF	PART NO.	DESCRIPTION	COMMENTS
	F8504701	Spring	Use with F038062800 Drain Valve
	F200166300	Drain Valve Kit	120 Volt; Includes items 1, 4, 5 and screw; HC50, HC60, SC50, SC60, UC50 and UC60 models with heat option
	F200166400	Drain Valve Kit	220 Volt; Includes items 1, 4, 5 and screw; HC50, HC60, SC50, SC60, UC50 and UC60 models with heat option
	F200166302	Drain Valve Kit	120 Volt; Includes items 4, 5, 6 and screw; Standard
	F200166402	Drain Valve Kit	220 Volt; Includes items 4, 5, 6 and screw; Standard
1	F038062800	Drain Valve	120 Volt; Includes screw; HC50, HC60, SC50, SC60, UC50 and UC60 models with heat option
	F038062900	Drain Valve	220 Volt; Includes screw; HC50, HC60, SC50, SC60, UC50 and UC60 models with heat option
2	F200215	Hose Clamp	No. 28; HC50, HC60, SC50, SC60, UC50 and UC60 models with heat option
3	F150352	Overflow Plug	HC50, HC60, SC50, SC60, UC50 and UC60 models with heat option
4	F380932P	Drain Valve Motor	Round shaft; 120 Volt
	F380933P	Drain Valve Motor	Round shaft; 220 Volt
	F380943P	Drain Motor	Keyed shaft; 120 Volt
	G159764P	Drain Valve Motor and Gear Box Assembly	Keyed shaft; 220 Volt
	F380972P	Drain Valve Motor	Keyed shaft; 240 Volt
5	F200133600	Drain Valve Cover	
6	N/A	Drain Valve	120 Volt; Includes screw; Standard
	N/A	Drain Valve Kit	220 Volt; Includes screw; Standard

N/A = Part no longer available

Drain Valve Assembly, Hoses and Air Trap - 50 and 60 Pound Models with Heat Shell



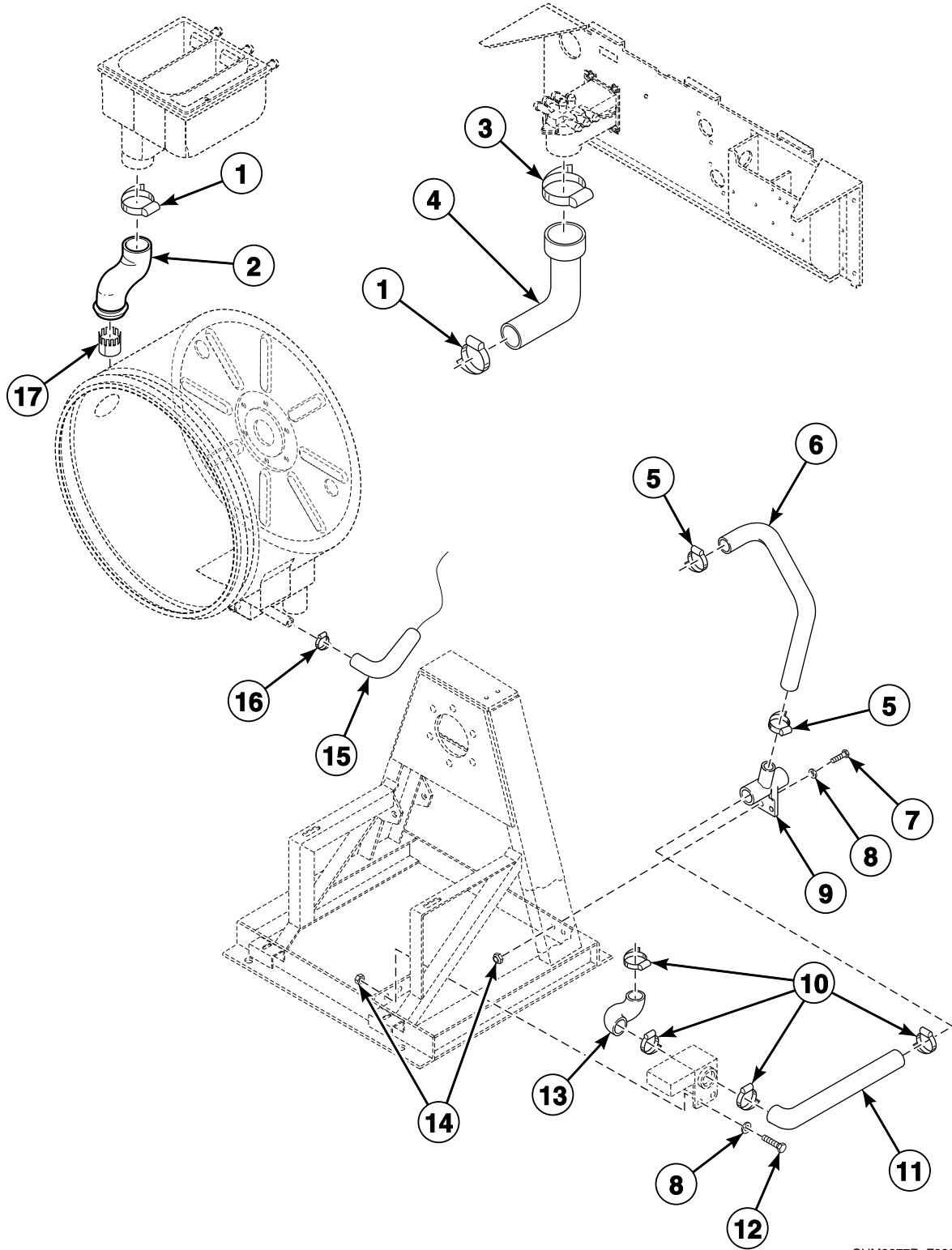
CHM2876P_F232190

Drain Valve Assembly, Hoses and Air Trap - 50 and 60 Pound Models with Heat Shell

REF	PART NO.	DESCRIPTION	COMMENTS
1	F200213	Hose Clamp	No. 40
2	F8071701	Supply Dispenser Hose	
3	N/A	Hose Clamp	No. 48
4	F150340	Vacuum Breaker Hose	HC50, SC50 and UC50 models
	F0150340-01	Vacuum Breaker Fill Hose	HC60, SC60 and UC60 models
5	F200215	Hose Clamp	No. 28
6	F150332	Overflow Hose	
7	F430103	Screw	
8	F430317	Washer	
9	F430215	Nut	
10	F0150340-01	Vacuum Breaker Fill Hose	HC60, SC60 and UC60 models
11	F150356	Drain Hose	
12	F020014200	Air Trap Hose	
13	F200222	Hose Clamp	No. 10
14	F150419	Supply Dispenser Baffle	Optional; Used to prevent water entering the supply dispenser during an extraction step

N/A = Part no longer available

Drain Assembly, Hoses and Air Trap - All Models Except 50 and 60 Pound Models with Heat Shell



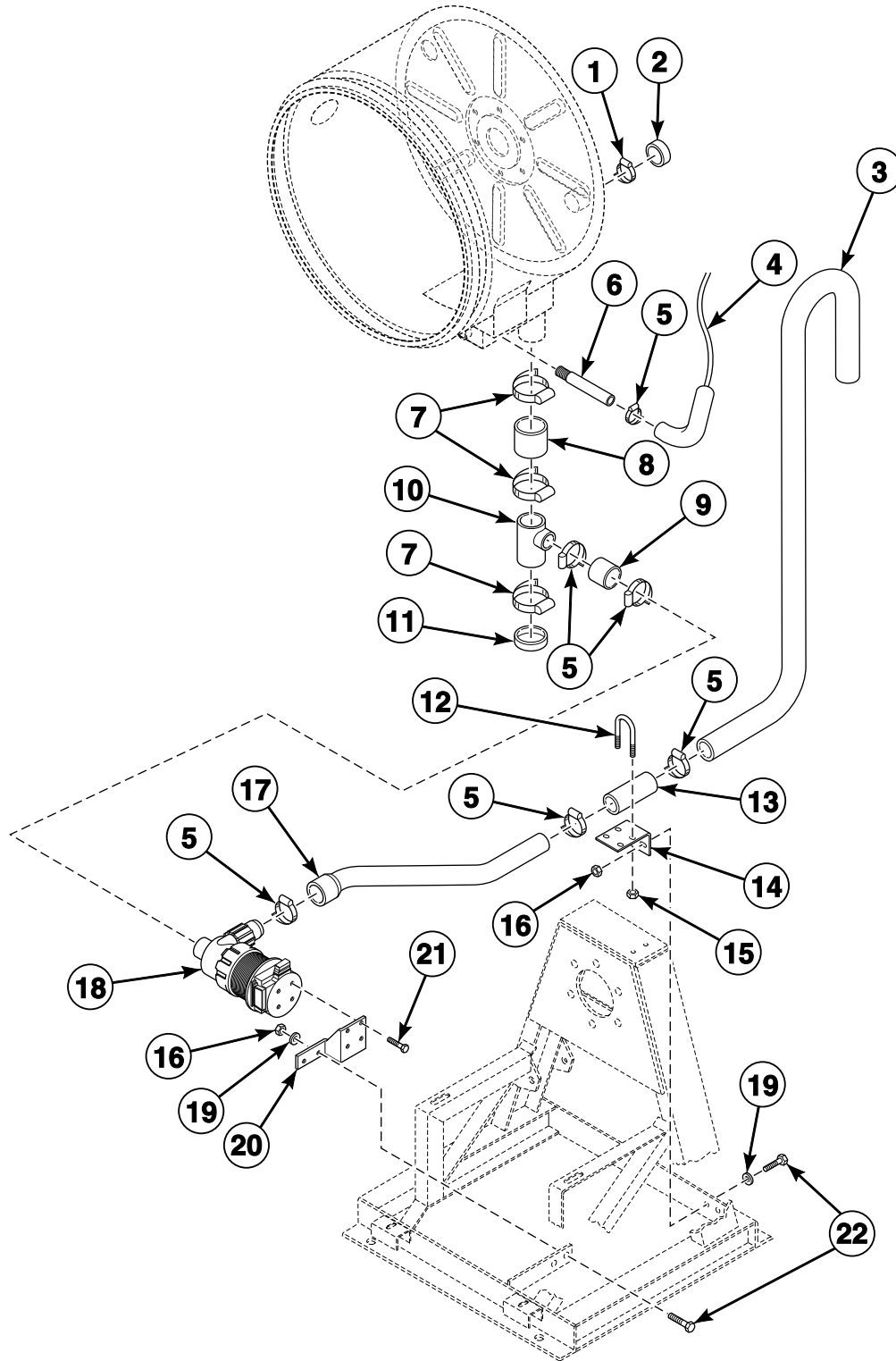
CHM2877P_F232190

Drain Assembly, Hoses and Air Trap - All Models Except 50 and 60 Pound Models with Heat Shell

REF	PART NO.	DESCRIPTION	COMMENTS
1	F200213	Hose Clamp	No. 40
2	F0200236-01	Supply Dispenser Hose	HC20, HC30, SC20, SC30, UC20 and UC30 models
	F8071701	Supply Dispenser Hose	HC40, HC50, HC60, SC40, SC50, SC60, UC40, UC50 and UC60 models
	F8061601	Supply Dispenser Hose	Models HC25VC2 and HC25VX2
3	N/A	Hose Clamp	No. 48
4	F150321	Vacuum Breaker Hose	HC20, HC30, HC40, SC20, SC30, SC40, UC20, UC30 and UC40 models
	F150372	Fill Hose	Models HC25VC2 and HC25VX2
	F150340	Vacuum Breaker Hose	HC50, SC50 and UC50 models
	F0150340-01	Vacuum Breaker Fill Hose	HC60, SC60 and UC60 models
5	F200215	Hose Clamp	No. 28
6	F200125800	Overflow Hose	HC30, SC30 and UC30 models; Standard, electric and steam heat; Not used on pump drain models
	F0200238-00	Overflow Hose	HC40, SC40 and UC40 models; Standard, electric and steam heat
	F150417	Overflow Hose	HC50, HC60, SC50, SC60, UC50 and UC60 models; Standard models without heat
	F150332	Overflow Hose	HC50, HC60, SC50, SC60, UC50 and UC60 models; Electric and steam heat
	F150317	Overflow Hose	HC20, HC25, SC20 and UC20 models; Standard, electric and steam heat; Not used on pump drain models
7	F430103	Screw	
8	F430317	Washer	
9	F8017101	Drain Connector Tee	HC20, HC25, HC30, SC20, SC30, UC20 and UC30 models
	F150398	Drain Tee	HC40, HC50, HC60, SC40, SC50, SC60, UC40, UC50 and UC60 models
10	F200213	Hose Clamp	HC20, HC25, HC30, HC40, SC20, SC30, SC40, UC20, UC30 and UC40 models
	N/A	Hose Clamp	HC50, HC60, SC50, SC60, UC50 and UC60 models
11	F150311	Rear Drain Hose	HC20, SC20 and UC20 models
	F200123400	Drain Hose	Rear; HC25, HC30, SC30 and UC30 models
	F0200239-00	Rear Drain Hose	HC40, SC40 and UC40 models; Models through 1/25/05
	F200185300	Drain Hose	Rear; HC40, SC40 and UC40 models; Models starting 1/26/05
	F200123500	Drain Hose	Rear; HC50, HC60, SC50, SC60, UC50 and UC60 models
12	F430103	Screw	
13	F150312	Front Drain Hose	HC20, HC25, HC30, SC20, SC30, UC20 and UC30 models
	F0200240-00	Front Drain Hose	HC40, SC40 and UC40 models; Models through 1/25/05
	F200185200	Drain Hose	Front; HC40, SC40 and UC40 models; Models starting 1/26/05
	F8035801	Front Drain Hose	HC50, HC60, SC50, SC60, UC50 and UC60 models
14	F430215	Nut	
15	F020014200	Air Trap Hose	
16	F200222	Hose Clamp	No. 12
17	F150419	Supply Dispenser Baffle	Optional; Used to prevent water entering the supply dispenser during an extraction step

N/A = Part no longer available

Pump Drain Option - HC30, SC30 and UC30 E-Voltage Models



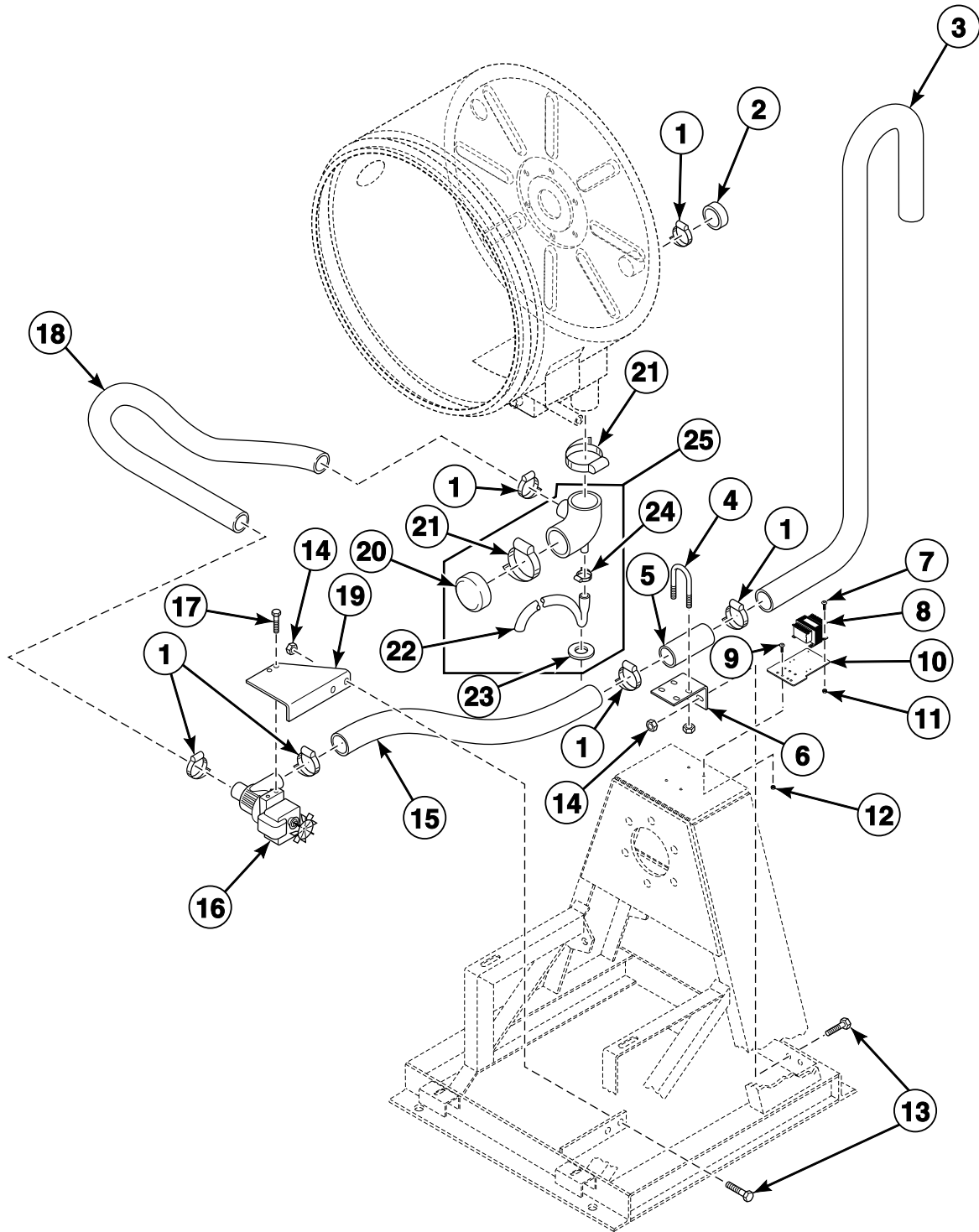
CHM2303P_F232190

Pump Drain Option - HC30, SC30 and UC30 E-Voltage Models

REF	PART NO.	DESCRIPTION	COMMENTS
1	F200215	Hose Clamp	No. 28
2	F150352	Overflow Plug	
3	F150343	Rear Pump Drain Hose	
4	F020014200	Air Trap Hose	
5	F200204	Hose Clamp	No. 20
6	F634178	Air Chamber Nipple	
7	F200213	Hose Clamp	No. 40
8	F150311	Rear Drain Hose	
9	F634177	Pump Inlet Hose	
10	F633819	Pump Drain Trap Weldment	
11	F150443	Plug	
12	F200401P	U-Bolt Clamp	
13	N/A	Pipe	
14	F604147	Pump Drain Rear Connecting Bracket	
15	F430232	Nut	
16	F430215	Nut	
17	F150482	Pump Drain Outlet Hose	
18	F634463P	Pump	
19	F430317	Washer	
20	F634114	Pump Mounting Bracket	
21	F430179	Screw	
22	F430107	Screw	

N/A = Part no longer available

Pump Drain Option - All Models Except HC30, SC30 and UC30 E-Voltage Models



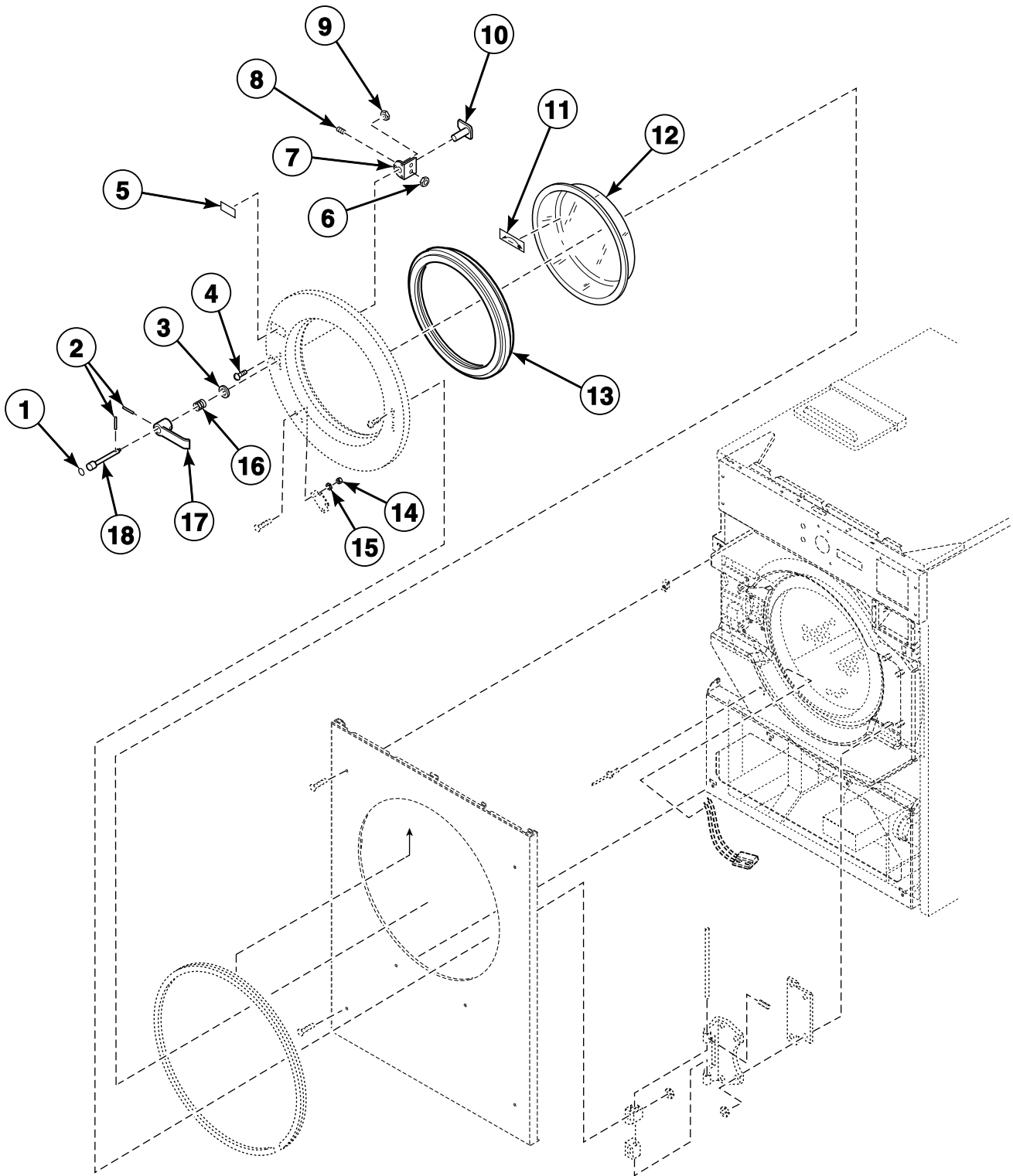
CHM2725P_F232190

Pump Drain Option - All Models Except HC30, SC30 and UC30 E-Voltage Models

REF	PART NO.	DESCRIPTION	COMMENTS
1	F200204	Hose Clamp	No. 20
2	F150352	Overflow Plug	
3	F150343	Rear Pump Drain Hose	
4	F200401P	U-Bolt Clamp	Includes nuts
5	F603827-1	Pipe	
6	F604147	Pump Drain Rear Connecting Bracket	
7	F430910	Screw	
8	C000203	Transformer	VC and VX models; PN and SN models B, O and Y-voltage; PN and SN models through 7/1/04 F and H-voltage; VN models O and Y-voltage; VN models through 8/1/04 B, F and H-voltage
	F360156P	Transformer	PN and SN models starting 7/2/04 F and H-voltage; VN models starting 8/2/04 B, F and H-voltage
9	F430107	Screw	
10	F200167700	Transformer Mounting Bracket	
11	F430215	Nut	
12	F430217	Nut	
13	F430107	Screw	
14	F430215	Nut	
15	N/A	Hose	
16	F270119P	Drain Pump	120 Volt
	F200000900P	Pump	220 Volt/60 Hertz
	F270104P	Pump	220 Volt/50 Hertz
17	F430519	Screw	
18	F609748-5	Hose	
19	F609694	Pump Drain Trap Mounting Bracket	
20	F150443	Plug	
21	F200213	Hose Clamp	No. 40
22	F606192-5	Tubing	
23	901690	Washer	
24	F200217	Hose Clamp	
25	F630326P	Pump Drain Trap Assembly	Includes items 20-24

N/A = Part no longer available

Door (Drawing 1 of 2)

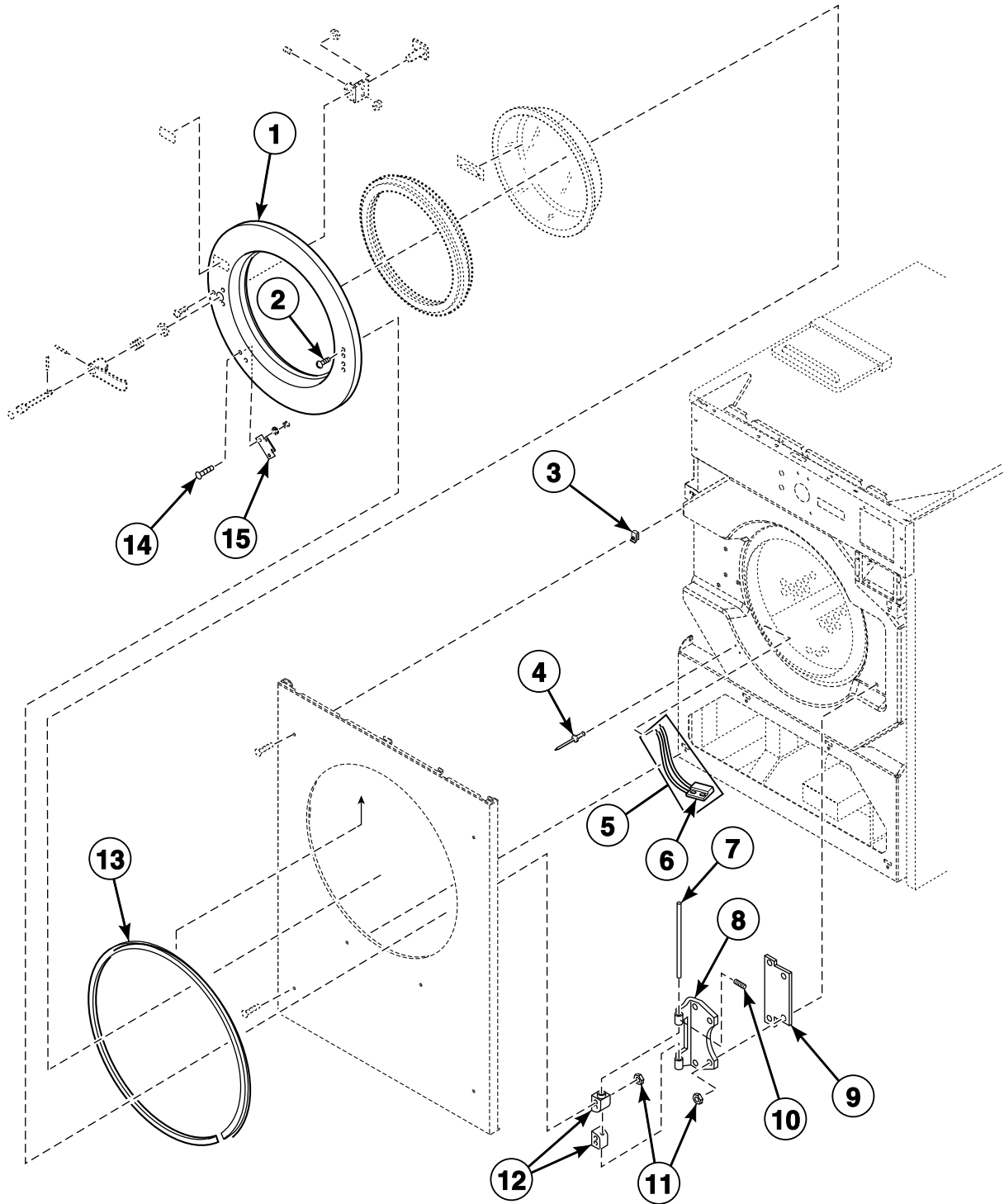


CHM3020P_F232190

Door (Drawing 1 of 2)

REF	PART NO.	DESCRIPTION	COMMENTS
1	F230662	Red Dot Decal	
2	F431222	Spring Pin	
3	F431916	Washer	
4	F8535601	Screw	
5	F230661	Push Red Button Decal	
6	F431041	Nut	
7	F0150273-00	Door Spacer	
8	F430532	Screw	HC20, HC25, SC20 and UC20 models
	F430533	Screw	HC30, HC40, HC50, HC60, SC30, SC40, SC50, SC60, UC30, UC40, UC50 and UC60 models
9	F430232	Nut	
10	F730155	Door Handle Kit	Includes items 1, 2, 7 and 16-18
11	F230693	Counterclockwise Spin Rotation Decal	English
	F230914	Spin Rotation Decal	Universal
12	F290205P	Door Glass Kit	HC20, HC25, SC20 and UC20 models
	F8485301	Door Glass Kit	HC30, SC30 and UC30 models
	F8485401P	Door Glass	HC40, HC50, HC60, SC40, SC50, SC60, UC40, UC50 and UC60 models
13	F200000200	Door Gasket	HC20, HC25, SC20 and UC20 models; Gray
	F200000202	Door Gasket	HC20, HC25, SC20 and UC20 models; Black
	F170123	Door Gasket	HC30, SC30 and UC30 models; Gray
	F017012302	Door Gasket	HC30, SC30 and UC30 models; Black
	F170124	Door Gasket	HC40, HC50, HC60, SC40, SC50, SC60, UC40, UC50 and UC60 models; Gray
	F017012402	Door Gasket	HC40, HC50, HC60, SC40, SC50, SC60, UC40, UC50 and UC60 models; Black
14	F431022	Nut	
15	F431113	Washer	
16	F310125	Door Lock Spring	
17	F150225	Door Handle	
18	F320300	Pushbutton Rod	

Door (Drawing 2 of 2)



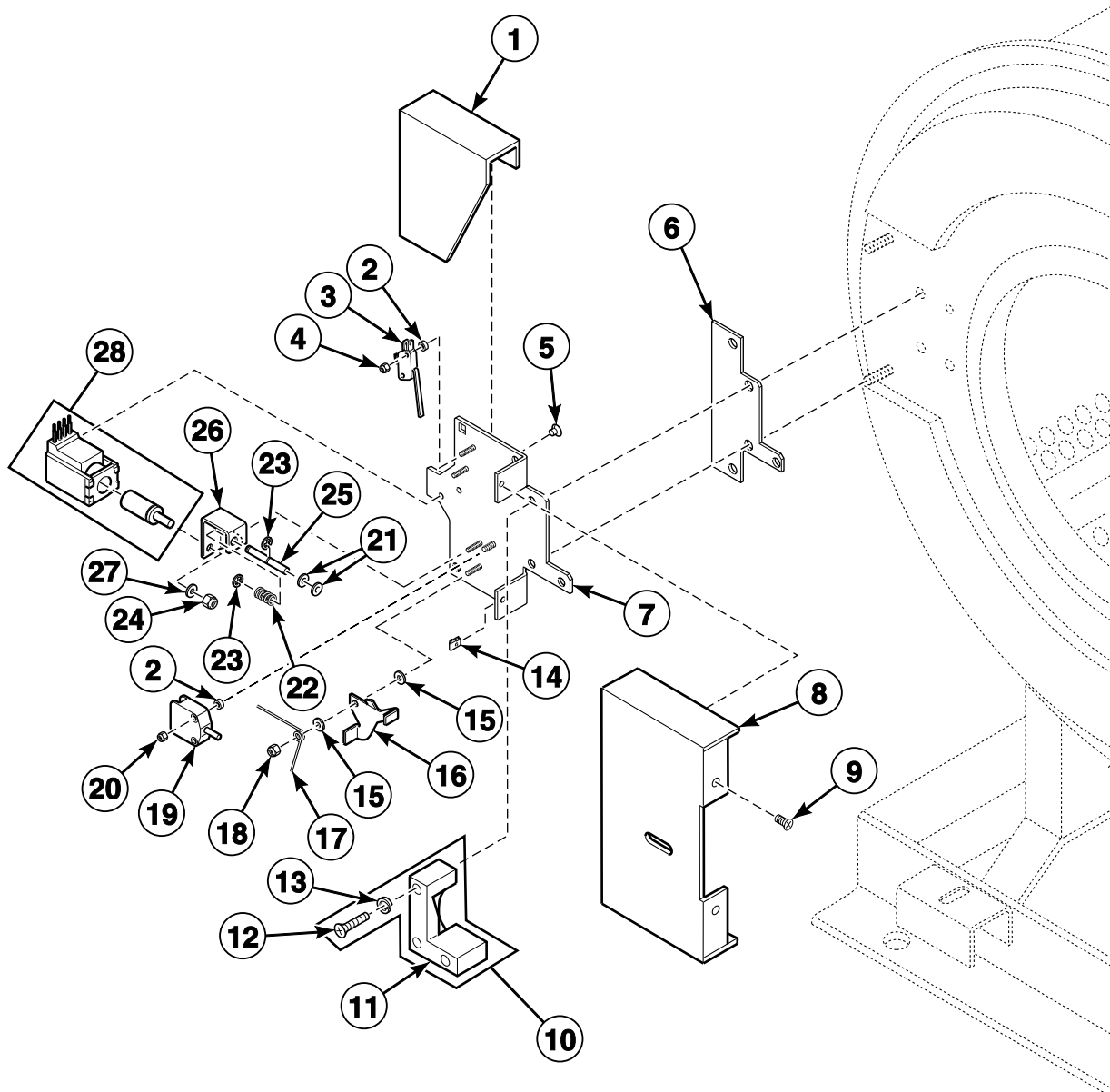
CHM3001P_F232190

Door (Drawing 2 of 2)

REF	PART NO.	DESCRIPTION	COMMENTS
	F604079-4	Door Assembly	HC20 and HC25 VC and VX models; Includes items 1-2, 6-7, 9-11 and items 1-18 on <i>Door (Drawing 1 of 2)</i> ; Gray door gasket
	F8150301	Door Assembly	HC20 and HC25 VC and VX models; Includes items 1-2, 6-7, 9-11 and items 1-18 on <i>Door (Drawing 1 of 2)</i> ; Black door gasket
	F604079-5	Door Assembly	HC20, SC20 and UC20 PN, SN and VN models; Includes items 1-2, 6-7, 9-11 and items 1-18 on <i>Door (Drawing 1 of 2)</i> ; Gray door gasket
	F603239-4	Door Assembly	Models HC30VC2 and HC30VX2; Includes items 1-2, 6-7, 9-11 and items 1-18 on <i>Door (Drawing 1 of 2)</i> ; Gray
	F8150401	Door Assembly	Models HC30VC2 and HC30VX2; Includes items 1-2, 6-7, 9-11 and items 1-18 on <i>Door (Drawing 1 of 2)</i> ; Black door gasket
	F060323905	Door Assembly	HC30, SC30 and UC30 PN, SN and VN models; Includes items 1-2, 6-7, 9-11 and items 1-18 on <i>Door (Drawing 1 of 2)</i> ; Gray door gasket
	F603901-4	Door Assembly	HC40, HC50 and HC60 VC and VX models; Includes items 1-2, 6-7, 9-11 and items 1-18 on <i>Door (Drawing 1 of 2)</i> ; Gray door gasket
	F8150501	Door Assembly	HC40, HC50 and HC60 VC and VX models; Includes items 1-2, 6-7, 9-11 and items 1-18 on <i>Door (Drawing 1 of 2)</i> ; Black door gasket
	F060390105	Door Assembly	HC40, HC50, HC60, SC40, SC50, SC60, UC40, UC50 and UC60 PN, SN and VN models; Includes items 1-2, 6-7, 9-11 and items 1-18 on <i>Door (Drawing 1 of 2)</i> ; Gray door gasket
1	N/A	Door	HC20, HC25 and SC20 models
	F602837-1	Door	HC30 and SC30 models
	F602842-2	Door	HC40, HC50, HC60, SC40, SC50 and SC60 models
2	F430969	Bolt	
3	F430264	Nut	Tinnerman
4	F8245101	Blind Rivet	Models starting 8/11/08
	J1111905	Blind Rivet	Models through 8/10/08
5	F200321200	Magnetic Switch Assembly	Includes item 6
6	F0340723-00	Magnetic Switch	
7	F602813-2	Rod	HC20, HC25, HC30, SC20, SC30, UC20 and UC30 models
	F602813-3	Rod	HC40, HC50, HC60, SC40, SC50, SC60, UC40, UC50 and UC60 models
8	F190216P	Door Hinge	
9	F200131000P	Door Hinge Shim Kit	As required
10	F430536	Screw	
11	F430215	Nut	
12	F150271	Door Mount	
13	F015050100P	Trim	Models through 4/29/08; F8142701 Adhesive required for installation
14	F430916	Screw	
15	F8390801	Magnet	PN, SN and VN models; CE coin models

N/A = Part no longer available

Door Lock - VC and VX Models

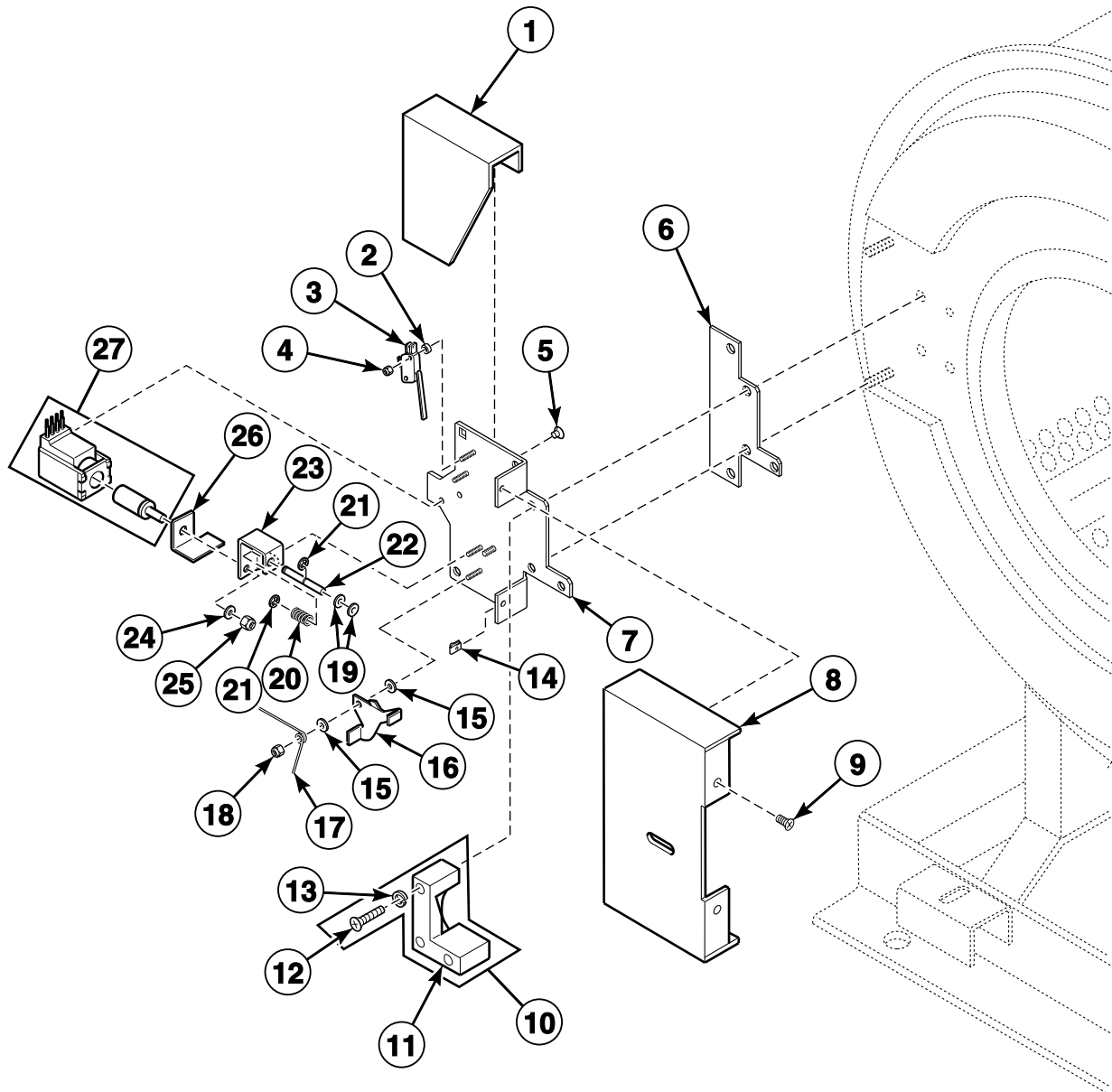


CHM2878P_F232190

Door Lock - VC and VX Models

REF	PART NO.	DESCRIPTION	COMMENTS
	F0636698-05P	Door Lock Assembly	Standard models; Includes items 2-5, 7, 14-27 and the wire harness
	F0636698-04	Door Lock Assembly	Models with heat; Includes items 2-5, 7, 14-27 and the wire harness
1	F320200	Door Lock Splash Shield	
2	F431901	Spacer	Nylon
3	F200203200	Door Lock Microswitch	
4	F430225	Nut	Nylon
5	F430977	Screw	
6	F8059701	Door Lock Plate Shim	
7	F8066701	Door Lock Plate Assembly	
8	F603003	Door Lock Assembly Cover	
9	F430956	Screw	
10	F746808	L-Catch Kit	Includes items 11-13
11	F150261	Door Lock Catch Casting	
12	F430982	Screw	
13	F431100	Washer	
14	F430264	Nut	
15	F431902	Washer	Nylon
16	F0636636-00	Door Lock Switch Lever	
17	F310110	Door Lock Torsion Spring	
18	F430232	Nut	Nylon
19	F340200	Door Switch	
20	F430231	Nut	
21	F431147	Washer	
22	F310137	Door Lock Pin Release Spring	
23	F310205	E-Ring Retainer	
24	F431017	Nut	
25	F431231	Door Locking Linkage Pin	
26	F150455	Door Lock Pin Linkage	
27	F431123	Washer	
28	F300124P	Solenoid	Includes harness

Door Lock - PN, SN and VN Models

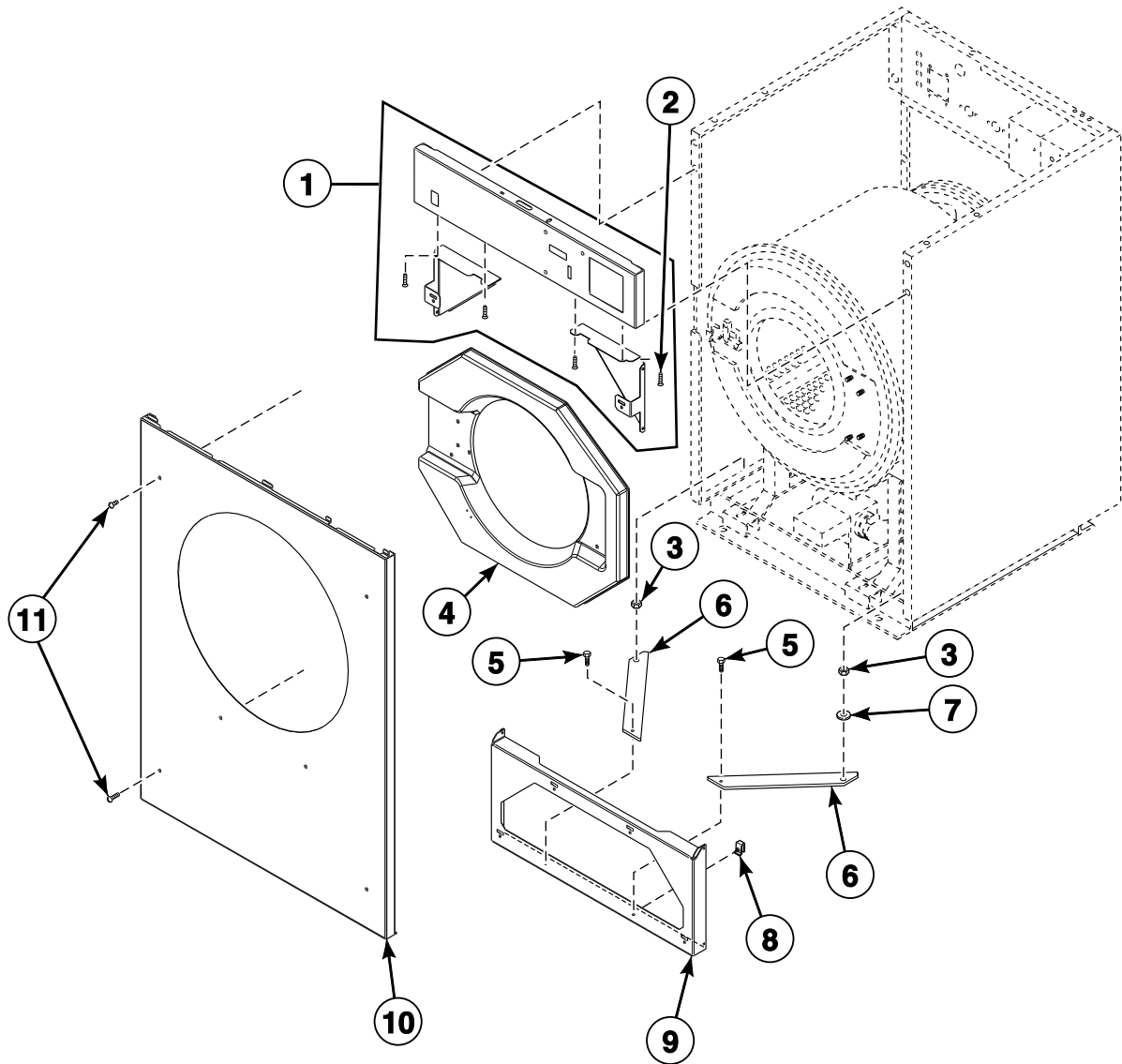


CHM2879P_F232190

Door Lock - PN, SN and VN Models

REF	PART NO.	DESCRIPTION	COMMENTS
	F0798839-00	Door Lock Kit	PN and SN models B-voltage; PN and SN models through 7/21/04 F, H, O and Y-voltage; VN models through 8/1/04 B, F, H, O and Y-voltage; Includes items 2-5, 7 and 14-27
	F0798839-01	Door Lock Kit	PN and SN models C, D, E and J-voltage; PN and SN models starting 7/22/04 F, H, O and Y-voltage; VN models through 8/1/04 C, D, E, and J-voltage; Includes items 2-5, 7 and 14-27
	F200136800P	Door Lock Assembly	VN models starting 8/2/04 B, D, E, F, H, J, O and Y-voltage; Includes items 2-5, 7, 14-27 and the wire harness
	F200136801	Door Lock Assembly	VN models starting 8/2/04 C-voltage; Includes items 2-5, 7, 14-27 and the wire harness
1	F320200	Door Lock Splash Shield	
2	F431901	Spacer	Nylon
3	F200203200	Door Lock Microswitch	
4	F430225	Nut	Nylon
5	F430977	Screw	
6	F8059701	Door Lock Plate Shim	
7	F8066701	Door Lock Plate Assembly	
8	F603003	Door Lock Assembly Cover	
9	F430956	Screw	
10	F746808	L-Catch Kit	Includes items 11-13
11	F150261	Door Lock Catch Casting	
12	F430982	Screw	
13	F431100	Washer	
14	F430264	Nut	
15	F431902	Washer	
16	F0636636-00	Door Lock Switch Lever	
17	F310110	Door Lock Torsion Spring	
18	F430232	Nut	Nylon
19	F431147	Washer	
20	F310137	Door Lock Pin Release Spring	
21	F310205	E-Ring Retainer	
22	F431231	Door Locking Linkage Pin	
23	F150455	Door Lock Pin Linkage	
24	F431017	Nut	
25	F431123	Washer	
26	F0636103-00	Door Lock Retainer Latch	
27	F300128P	Door Release Solenoid	120 Volt
	F0300131-00P	Door Lock Solenoid	220 Volt

Inner and Outer Front Panels - PN, SN and VN Models



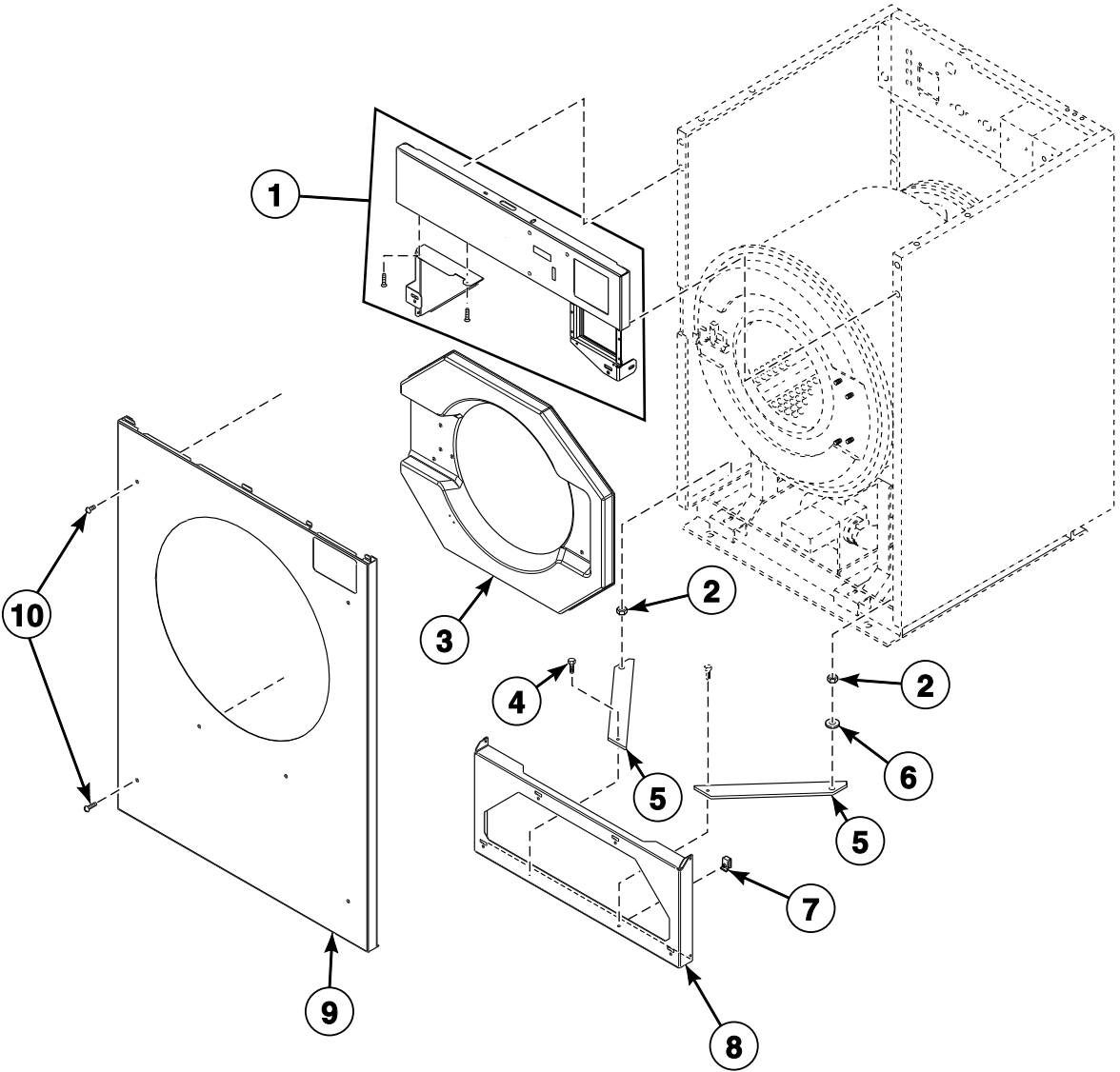
CHM2945P_F232190

Inner and Outer Front Panels - PN, SN and VN Models

REF	PART NO.	DESCRIPTION	COMMENTS
1	F0636894-01	Control Panel Assembly	Models HC20SN2, SC20VN2, UC20PN2 and UC20VN2
	F0636896-01	Control Panel Assembly	Models HC30SN2, SC30VN2, UC30PN2 and UC30VN2
	F0636810-01	Control Panel Assembly	Models HC40SN2, SC40VN2, UC40PN2 and UC40VN2
	F0636921-01	Control Panel Assembly	Models HC50SN2, HC60SN2, SC50VN2, SC60VN2, UC50PN2, UC50VN2, UC60PN2 and UC60VN2
2	F430137	Screw	
3	F430233	Nut	Models HC40SN2, SC40VN2, UC40PN2 and UC40VN2
4	F170416-1	Door Bezel	Black; Models SC20VN2, UC20PN2 and UC20VN2
	F170416-2	Door Bezel	Pantone 403; Model HC20SN2
	F170417-1	Door Bezel	Black; Models SC30VN2, UC30PN2 and UC30VN2
	F170417-2	Door Bezel	Pantone 403; Model HC30SN2
	F0170426-00	Door Bezel	Black; Models SC40VN2, SC50VN2, SC60VN2, UC40PN2, UC40VN2, UC50PN2, UC50VN2, UC60PN2 and UC60VN2
	F0170426-10	Door Bezel	Pantone 403; Models HC40SN2, HC50SN2 and HC60SN2
5	F430174	Screw	Models HC40SN2, SC40VN2, UC40PN2 and UC40VN2
6	F200168900	Cabinet Corner Stiffener	Models HC40SN2, SC40VN2, UC40PN2 and UC40VN2
7	M405535	Washer	Models HC40SN2, SC40VN2, UC40PN2 and UC40VN2
8	F430264	Nut	
9	F634800	Cabinet Brace	Models HC20SN2, SC20VN2, UC20PN2 and UC20VN2
	F634801	Cabinet Brace	Models HC30SN2, SC30VN2, UC30PN2 and UC30VN2
	F0636217-00	Cabinet Brace	Models HC40SN2, SC40VN2, UC40PN2 and UC40VN2
	F634803P	Cabinet Brace	Models HC50SN2, HC60SN2, SC50VN2, SC60VN2, UC50PN2, UC50VN2, UC60PN2 and UC60VN2
10	F8200302P	Front Panel	Stainless steel; Models HC20SN2, SC20VN2, UC20PN2 and UC20VN2
	N/A	Front Panel	Almond; Models HC20SN2, SC20VN2, UC20PN2 and UC20VN2
	F8200402P	Front Panel	Stainless steel; Models HC30SN2, SC30VN2, UC30PN2 and UC30VN2
	F634666-2	Front Panel	Almond; Models HC30SN2, SC30VN2, UC30PN2 and UC30VN2
	F8200502P	Front Panel	Models HC40SN2, SC40VN2, UC40PN2 and UC40VN2
	F8200602P	Front Panel	Stainless steel; Models HC50SN2, HC60SN2, SC50VN2, SC60VN2, UC50PN2, UC50VN2, UC60PN2 and UC60VN2
	F8200602P	Front Panel	Almond; Models HC50SN2, HC60SN2, SC50VN2, SC60VN2, UC50PN2, UC50VN2, UC60PN2 and UC60VN2
11	F430956	Screw	

N/A = Part no longer available

Inner and Outer Front Panels - VC and VX Models



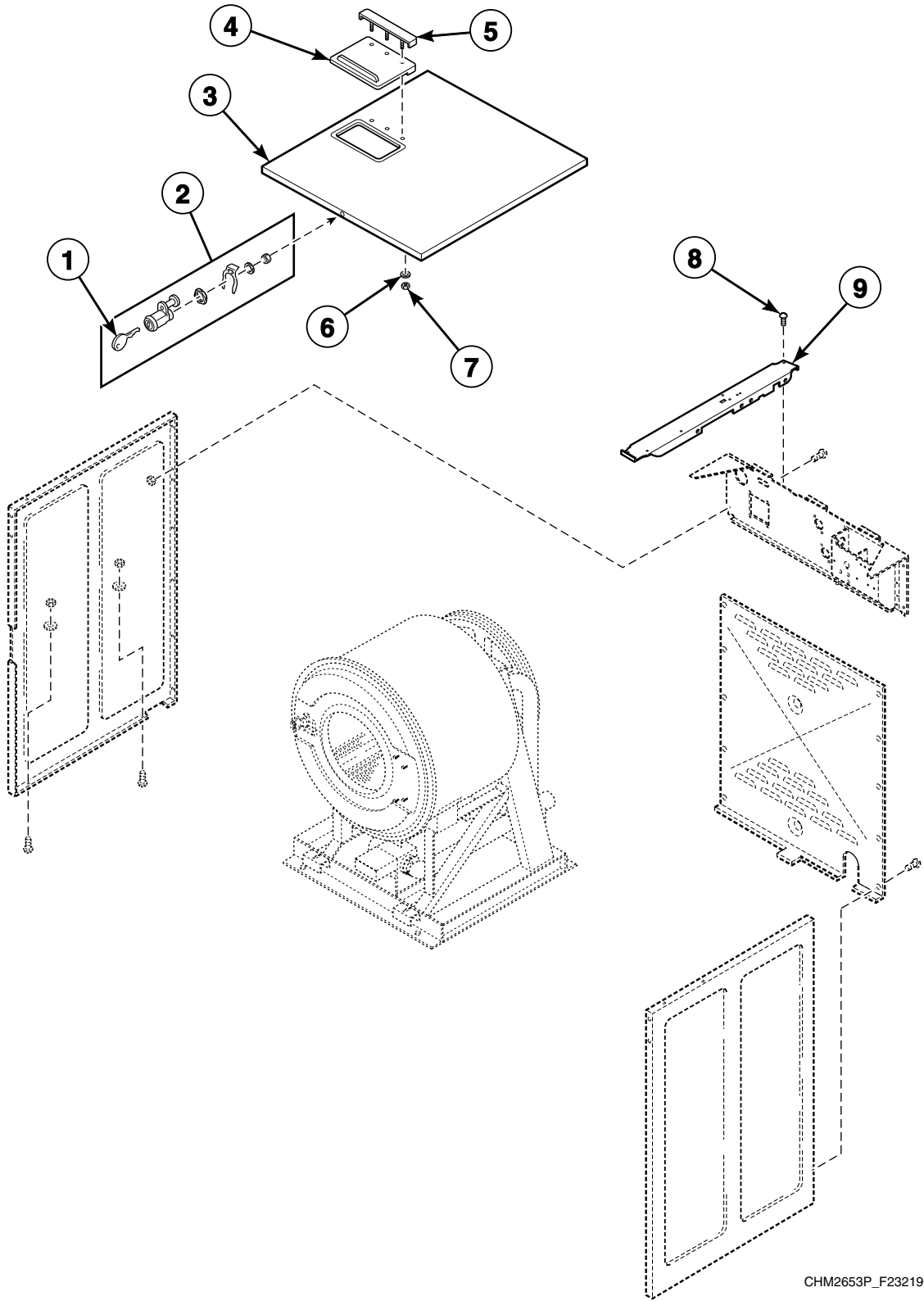
CHM2946P_F232190

Inner and Outer Front Panels - VC and VX Models

REF	PART NO.	DESCRIPTION	COMMENTS
1	F0636894-00	Control Panel Assembly	Models HC20VC2, HC20VX2, HC25VC2 and HC25VX2
	F0636896-00	Control Panel Assembly	Models HC30VC2 and HC30VX2
	N/A	Control Panel Assembly	Models HC40VC2 and HC40VX2
	F0636921-00	Control Panel Assembly	Models HC50VC2, HC50VX2, HC60VC2 and HC60VX2
2	F430233	Nut	Models HC40VC2 and HC40VX2
3	F170416-2	Door Bezel	Pantone; Models HC20VC2, HC20VX2, HC25VC2 and HC25VX2
	F170417-2	Door Bezel	Pantone; Models HC30VC2, HC30VX2, HC40VC2 and HC40VX2
	F0170426-10	Door Bezel	Pantone; Models HC50VC2, HC50VX2, HC60VC2 and HC60VX2
4	F430174	Screw	Models HC40VC2 and HC40VX2
5	F200168900	Cabinet Corner Stiffener	Models HC40VC2 and HC40VX2
6	M405535	Washer	Models HC40VC2 and HC40VX2
7	F430264	Nut	
8	F634800	Cabinet Brace	Models HC20VC2, HC20VX2, HC25VC2 and HC25VX2
	F634801	Cabinet Brace	Models HC30VC2 and HC30VX2
	F0636217-00	Cabinet Brace	Models HC40VC2 and HC40VX2
	F634803P	Cabinet Brace	Models HC50VC2, HC50VX2, HC60VC2 and HC60VX2
9	F8200301P	Front Panel	Stainless steel; Models HC20VC2 and HC20VX2
	F634682-2	Front Panel	Almond; Models HC20VC2 and HC20VX2
	F634836-1P	Front Panel	Stainless steel; Models HC25VC2 and HC25VX2
	F634836-2	Front Panel	Almond; Models HC25VC2 and HC25VX2
	F8200401P	Front Panel	Stainless steel; Models HC30VC2 and HC30VX2
	N/A	Front Panel	Almond; Models HC30VC2 and HC30VX2
	F8200501P	Front Panel	Models HC40VC2 and HC40VX2; Stainless steel
	F8200601P	Front Panel	Stainless steel; Models HC50VC2, HC50VX2, HC60VC2 and HC60VX2
N/A	Front Panel	Almond; Models HC50VC2, HC50VX2, HC60VC2 and HC60VX2	
10	F430956	Screw	

N/A = Part no longer available

Panels (Drawing 1 of 2)

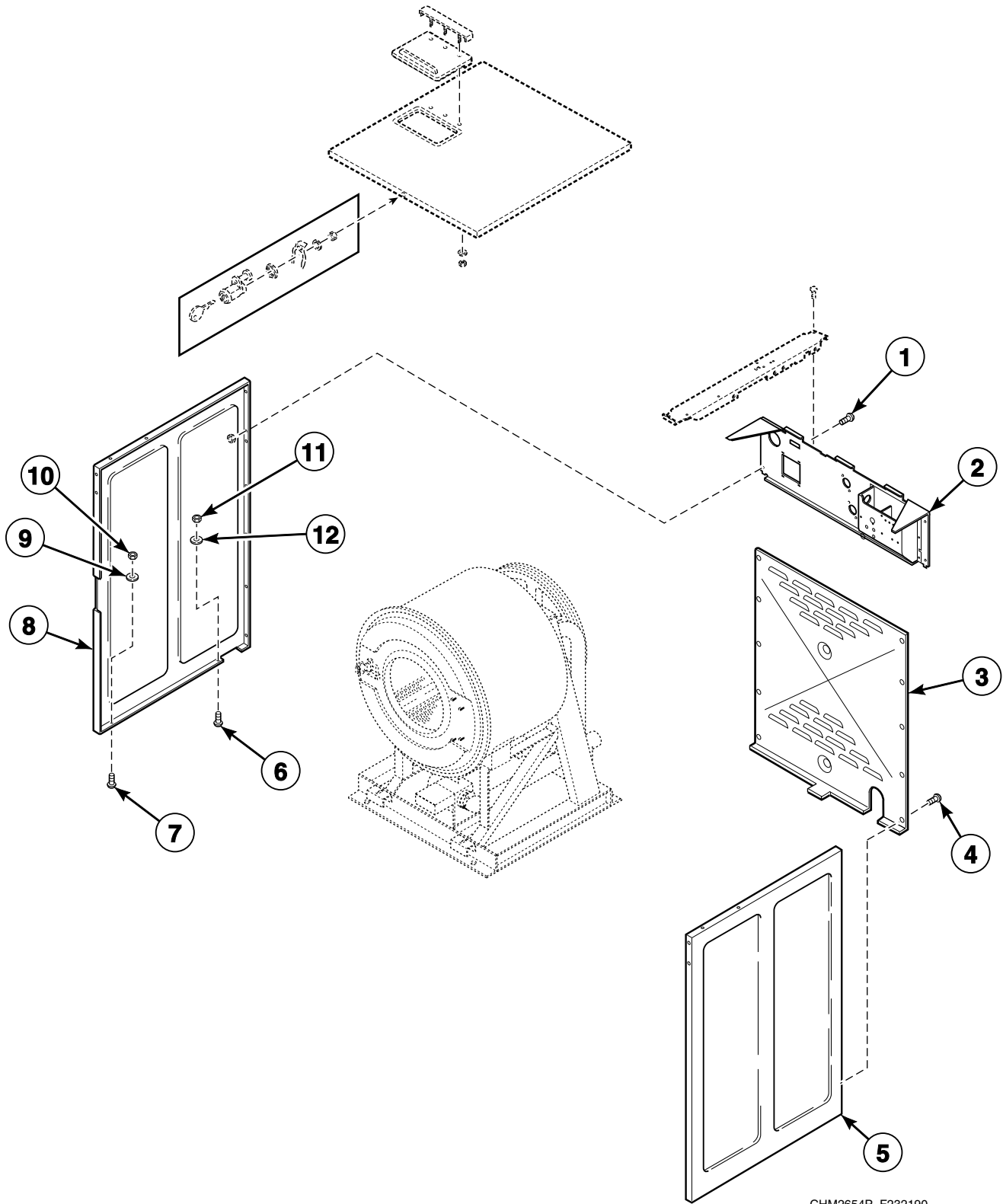


CHM2653P_F232190

Panels (Drawing 1 of 2)

REF	PART NO.	DESCRIPTION	COMMENTS
1	70155603	Key	
2	F0190808-00P	Lid Lock Pin	
3	F063618900P	Top Cover Assembly	HC20, SC20 and UC20 models; Includes items 1, 2 and 4-7
	F063659800P	Top Cover Assembly	Models HC25VC2 and HC25VX2; Includes items 1, 2 and 4-7
	F063652000P	Top Cover Assembly	HC30, SC30 and UC30 models; Includes items 1, 2 and 4-7
	F063664000P	Top Cover Assembly	HC40, SC40 and UC40 models; Includes items 1, 2 and 4-7
	F063632700	Top Cover Assembly	HC50, SC50 and UC50 models; Includes items 1, 2 and 4-7
	F063771200P	Top Cover Assembly	HC60, SC60 and UC60 models; Includes items 1, 2 and 4-7
4	F200270500	Supply Dispenser Lid	Gray
5	F630430	Lid Clamp Assembly	
6	F431147	Washer	
7	F431024	Nut	
8	F430174	Screw	
9	F0636131-00	Cabinet Brace	HC20, SC20 and UC20 models
	F0636596-00	Cabinet Brace	Models HC25VC2 and HC25VX2
	F0636518-00	Cabinet Brace	HC30, SC30 and UC30 models
	F0636218-00	Cabinet Brace	HC40, SC40 and UC40 models
	F0636320-00	Cabinet Brace	HC50, SC50 and UC50 models
	F0637632-00	Cabinet Brace	HC60, SC60 and UC60 models

Panels (Drawing 2 of 2)



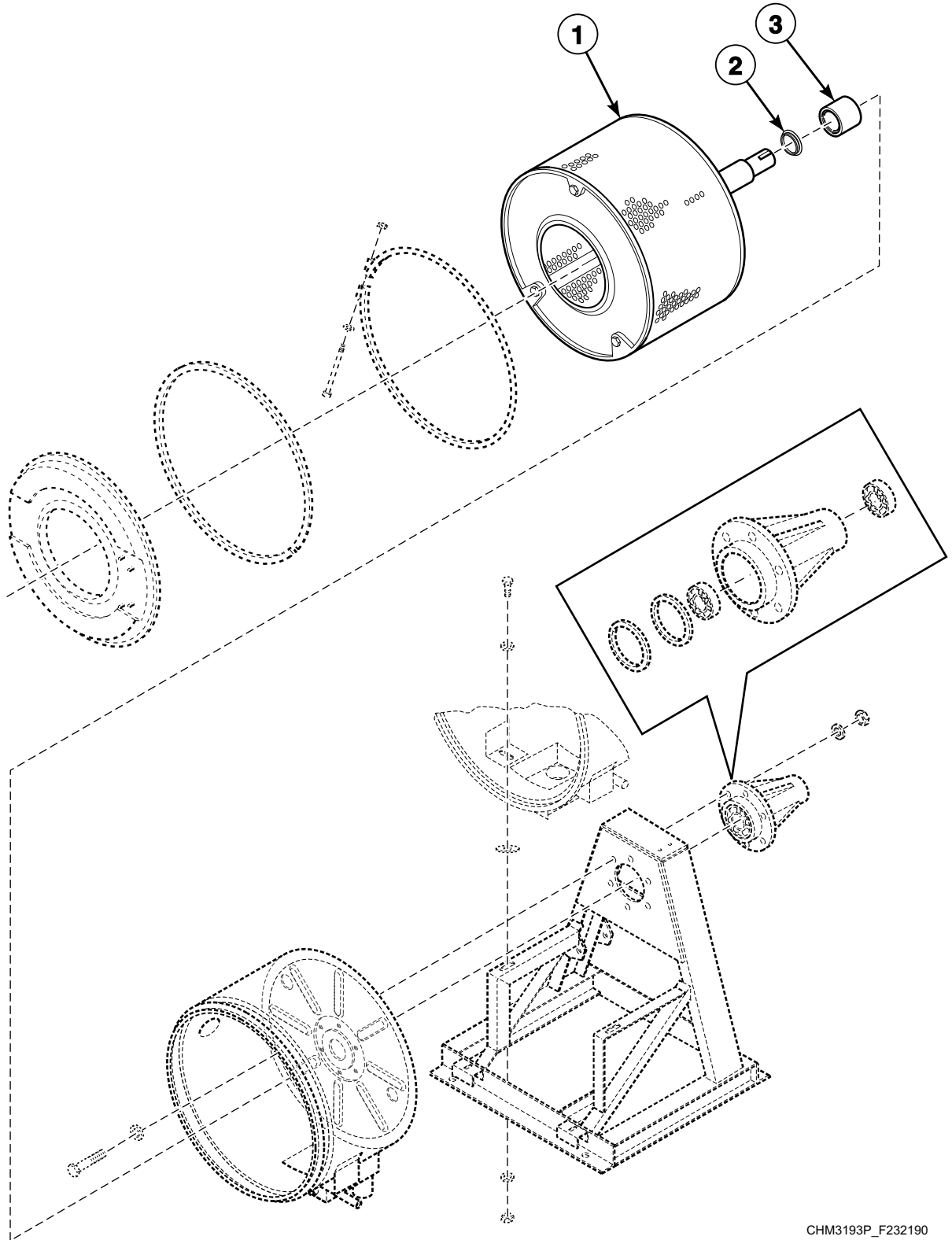
CHM2654P_F232190

Panels (Drawing 2 of 2)

REF	PART NO.	DESCRIPTION	COMMENTS
1	F430925	Screw	
2	F0636138-00	Valve Panel Assembly	HC20, HC25, SC20 and UC20 models; Standard models
	F0636138-01	Valve Panel Assembly	HC20, HC25, SC20 and UC20 models; Models with heat
	F0636521-00	Valve Panel Assembly	HC30, SC30 and UC30 models; Standard models
	N/A	Valve Panel Assembly	HC30, SC30 and UC30 models; Models with heat
	F0636524-01	Valve Panel Assembly	HC40, SC40 and UC40 models; Standard models
	F0636524-03	Valve Panel Sub-Assembly	HC40, SC40 and UC40 models; Models with heat
	F0636297-00	Valve Panel Assembly	HC50, HC60, SC50, SC60, UC50 and UC60 models; Standard models
	F0636297-01	Valve Panel Assembly	HC50, HC60, SC50, SC60, UC50 and UC60 models; Models with heat
3	F757000	Rear Panel Kit	HC20, SC20 and UC20 models; Includes item 4
	F757001	Rear Panel Kit	HC25 models; Includes item 4
	F0636321-00P	Rear Panel	HC30, SC30 and UC30 models
	F0636220-00P	Rear Panel	HC40, SC40 and UC40 models
	F757002	Rear Panel Kit	HC50, SC50 and UC50 models; Includes item 4
	F200022900P	Rear Panel	HC60, SC60 and UC60 models
4	F430174	Screw	
5	F0636135-00P	Right Side Panel	HC20, SC20 and UC20 models; Stainless steel
	F0636594-00P	Right Side Panel	Models HC25VC2 and HC25VX2; Stainless steel
	F0636515-00P	Side Panel	Right; HC30, SC30 and UC30 models; Stainless steel
	F0635981-00P	Side Panel	Right; HC40, SC40 and UC40 models; Stainless steel
	F0636300-00P	Side Panel	Right; HC50, SC50 and UC50 models; Stainless steel
	F0637630-00P	Side Panel	Right; HC60, SC60 and UC60 models; Stainless steel
	F8157301P	Right Side Panel	HC20, SC20 and UC20 models; Vinyl
	F8156601	Right Side Panel	Models HC25VC2 and HC25VX2; Vinyl
	F8155501P	Right Side Panel	HC30, SC30 and UC30 models; Vinyl
	F8155701P	Right Side Panel	HC40, SC40 and UC40 models; Vinyl
	F8160001	Right Side Panel	HC50, SC50 and UC50 models; Vinyl
	F8160301P	Right Side Panel	HC60, SC60 and UC60 models; Vinyl
6	M400056	Screw	
7	F430107	Screw	
8	F0636136-00P	Left Side Panel	HC20, SC20 and UC20 models
	F0636595-00P	Left Side Panel	Models HC25VC2 and HC25VX2
	F0636516-00P	Side Panel	Left; HC30, SC30 and UC30 models
	F0635982-00P	Side Panel	Left; HC40, SC40 and UC40 models
	F0636299-00	Side Panel	Left; HC50, SC50 and UC50 models
	F0637628-00P	Side Panel	Left; HC60, SC60 and UC60 models
	F8157401P	Left Side Panel	HC20, SC20 and UC20 models; Vinyl
	F8156701	Left Side Panel	Models HC25VC2 and HC25VX2; Vinyl
	F8155601P	Left Side Panel	HC30, SC30 and UC30 models; Vinyl
	F8155901P	Left Side Panel	HC40, SC40 and UC40 models; Vinyl
	F8159901	Left Side Panel	HC50, SC50 and UC50 models; Vinyl
	F8160101P	Left Side Panel	HC60, SC60 and UC60 models; Vinyl
9	F0430348-00	Washer	
10	F431024	Nut	
11	F430233	Nut	
12	M405535	Washer	

N/A = Part no longer available

Basket, Shell and Frame (Drawing 1 of 2)

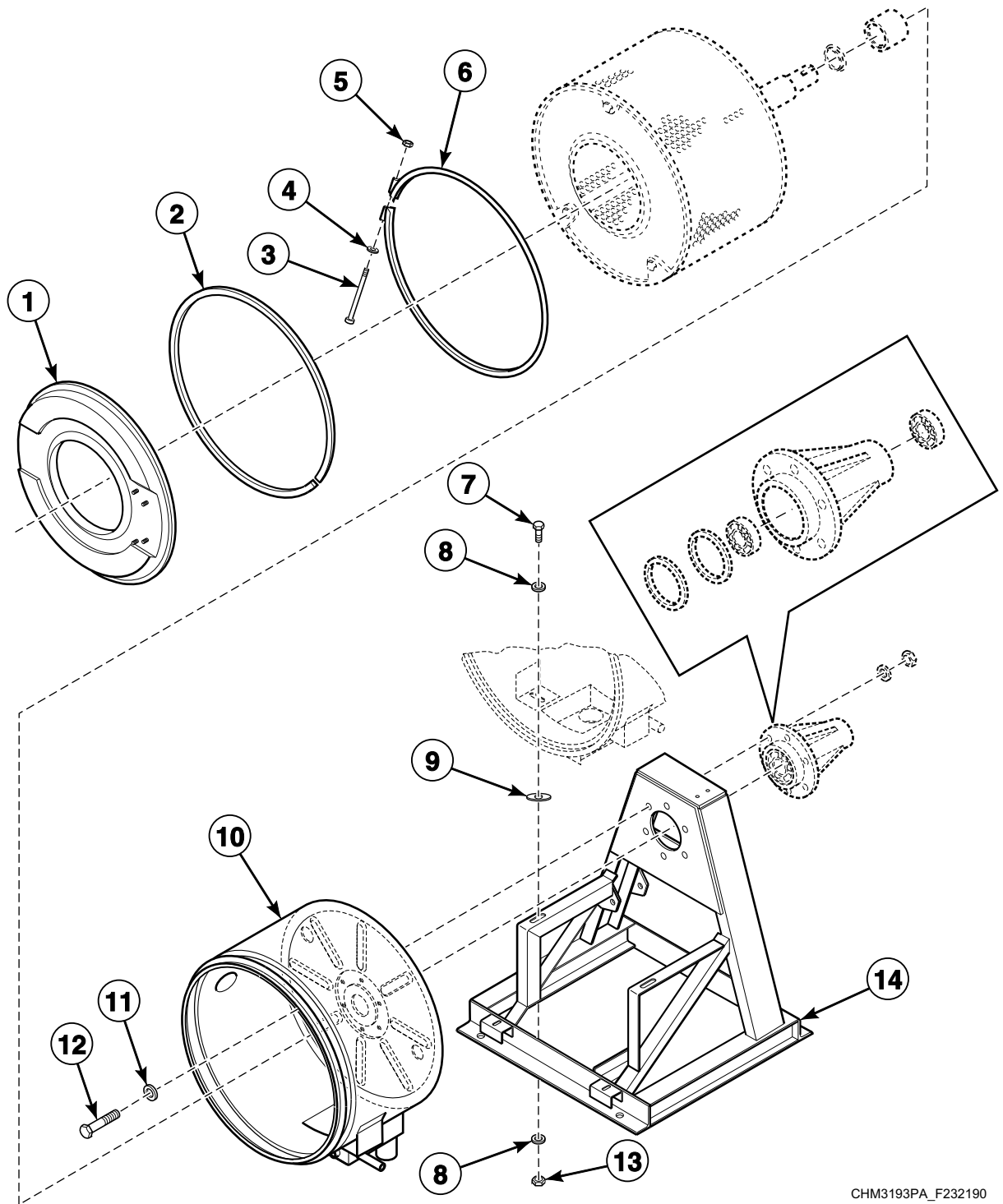


CHM3193P_F232190

Basket, Shell and Frame (Drawing 1 of 2)

REF	PART NO.	DESCRIPTION	COMMENTS
	389P4	Basket Tool Kit	Purchase; Requires F460129P Bearing Puller Tool
	390P4	Basket Rental Tool Kit	Requires F460129P Bearing Puller Tool
1	F935P3	Pressfit Upgrade Kit	HC20, SC20 and UC20 models; Includes items 2 and 3, F8347801 Basket Assembly and F747001 Trunnion Kit
	F8347801P	Basket Assembly	HC20, SC20 and UC20 models; Models that have been upgraded with F935P3 Pressfit Upgrade Kit; Includes items 2 and 3
	F8123601P	Basket Assembly	Models HC25VC2 and HC25VX2; Includes item 3
	F936P3	Pressfit Upgrade Kit	HC30, SC30 and UC30 models; Includes items 2 and 3, F8347901 Basket Assembly and F747002 Trunnion Kit
	F8347901P	Basket Assembly	HC30, SC30 and UC30 models; Models that have been upgraded with F936P3 Pressfit Upgrade Kit; Includes items 2 and 3
	F938P3	Pressfit Upgrade Kit	HC40, SC40 and UC40 models; Includes items 2 and 3, F8336301P Basket Assembly and F747003 Trunnion Kit
	F8391701P	Basket Assembly	HC40, SC40 and UC40 models; Models that have been upgraded with F938P3 Pressfit Upgrade Kit; Includes items 2 and 3
	F942P3	Pressfit Upgrade Kit	HC50, SC50 and UC50 models; Includes items 2 and 3, F8338401 Basket Assembly and F747005 Trunnion Kit
	F8502803	Basket Assembly	HC50, SC50 and UC50 models; Models that have been upgraded with F942P3 Pressfit Upgrade Kit; Includes items 2 and 3; Replaces F8438401 Basket Assembly
	F603900-1	Basket Assembly	HC50, SC50 and UC50 models; Includes item 3
	F939P3	Pressfit Upgrade Kit	HC60, SC60 and UC60 models; Includes items 2 and 3, F8336501P Basket Assembly and F747005 Trunnion Kit
	F8391901P	Basket Assembly	HC60, SC60 and UC60 models; Models that have been upgraded with F939P3 Pressfit Upgrade Kit; Includes items 2 and 3
2	F8336801	Excluder Seal	HC20, SC20 and UC20 models; Models that have been upgraded with F935P3 Pressfit Upgrade Kit
	F8336901	Excluder Seal	HC30, SC30 and UC30 models; Models that have been upgraded with F936P3 Pressfit Upgrade Kit
	F8337001	Excluder Seal	HC40, SC40 and UC40 models; Models that have been upgraded with F938P3 Pressfit Upgrade Kit
	F8337101	Excluder Seal	HC60, SC60 and UC60 models; Models that have been upgraded with F939P3 Pressfit Upgrade Kit
3	F8312001P	Shaft Seal Sleeve	HC20, SC20 and UC20 models starting 11/7/06 that have not been upgraded with F935P3 Pressfit Upgrade Kit; Models HC25VC2 and HC25VX2
	F8312002P	Shaft Seal Sleeve	HC20, SC20 and UC20 models; Models through 11/6/06 that have not been upgraded with F935P3 Pressfit Upgrade Kit
	F8343901P	Shaft Seal Sleeve Kit	HC20, SC20 and UC20 models; Models that have been upgraded with F935P3 Pressfit Upgrade Kit
	F8312004P	Shaft Seal Sleeve	HC30, SC30 and UC30 models; Models that have not been upgraded with F936P3 Pressfit Upgrade Kit
	F8343904P	Shaft Seal Sleeve Kit	HC30, SC30 and UC30 models; Models that have been upgraded with F936P3 Pressfit Upgrade Kit
	F8312003P	Shaft Seal Sleeve	HC40, SC40 and UC40 models; Models through 10/14/07 that have not been upgraded with F938P3 Pressfit Upgrade Kit
	F8312005P	Shaft Seal Sleeve	HC40, SC40 and UC40 models; Models starting 10/15/07 through 3/31/08 that have not been upgraded with F938P3 Pressfit Upgrade Kit
	F8312006P	Shaft Seal Sleeve	HC40, SC40 and UC40 models; Models starting 4/1/08 that have not been upgraded with F938P3 Pressfit Upgrade Kit
	F8343906P	Shaft Seal Sleeve Kit	HC40, SC40 and UC40 models; Models that have been upgraded with F938P3 Pressfit Upgrade Kit
	F8312008P	Shaft Seal Sleeve	HC50, SC50 and UC50 models; Models that have not been upgraded with F942P3 Pressfit Upgrade Kit
	F8343914	Shaft Seal Sleeve	HC50, SC50 and UC50 models; Models that have been upgraded with F942P3 Pressfit Upgrade Kit
	F8343909P	Shaft Seal Sleeve Kit	HC50, HC60, SC50, SC60, UC50 and UC60 models; Models that have been upgraded with F942P3 Pressfit Upgrade Kit

Basket, Shell and Frame (Drawing 2 of 2)

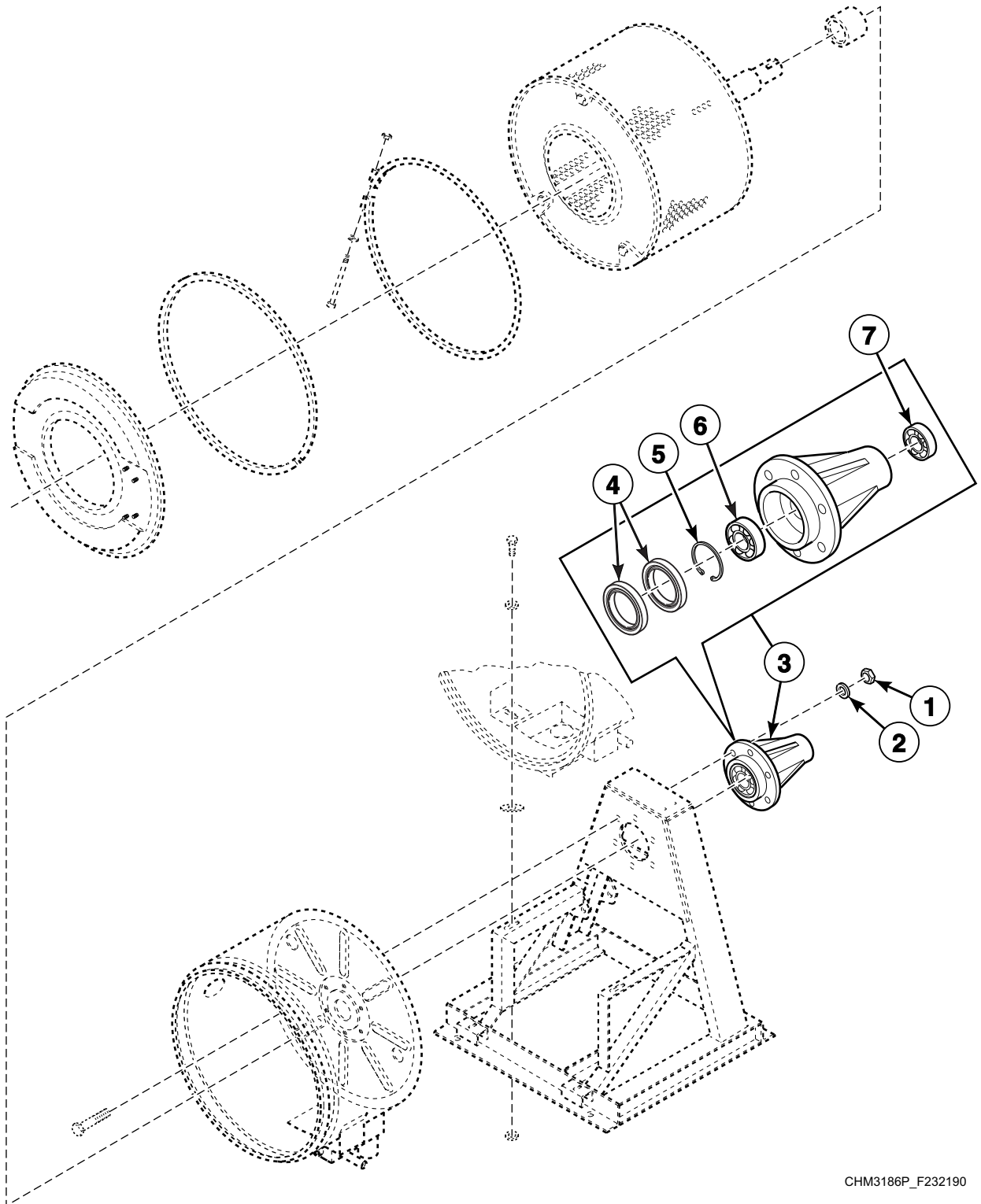


CHM3193PA_F232190

Basket, Shell and Frame (Drawing 2 of 2)

REF	PART NO.	DESCRIPTION	COMMENTS
1	F741300P	Shell Front Kit	HC20, HC25, SC20 and UC20 models; Includes items 2-6
	F632006P	Shell Front Assembly	HC30, SC30 and UC30 models
	F0636283-00P	Shell Front Assembly	HC40, SC40 and UC40 models
	F741302-01	Shell Front Kit	HC50, HC60, SC50, SC60, UC50 and UC60 models; Includes items 2-6
2	F792000	Shell Front Gasket Kit	
3	F430518	Screw	
4	F430317	Washer	
5	F430215	Nut	
6	F8537801	Shell Band Kit	HC20, HC25, SC20 and UC20 models; Includes items 3-5
	F8388002	Clamp Ring Assembly	HC30, SC30 and UC30 models; Includes items 3-5
	F741701	Shell Band Kit	HC40, SC40 and UC40 models; Includes items 3-5
	F741702	Shell Band Kit	HC50, HC60, SC50, SC60, UC50 and UC60 models; Includes items 3-5
7	F430942	Screw	
8	M400081	Washer	
9	F430303	Washer	
10	F0636388-00	Shell Weldment	HC20, SC20 and UC20 models; Standard
	F063659201	Shell Weldment	Models HC25VC2 and HC25VX2; Standard
	F0636555-00	Shell Weldment	HC30, SC30 and UC30 models; Standard
	F063597402P	Shell Weldment	HC40, SC40 and UC40 models; Models through 1/25/05; Standard
	F200195402	Shell Weldment	HC40, SC40 and UC40 models; Models starting 1/26/05; Standard
	F0636460-00	Shell Weldment	HC50, SC50 and UC50 models; Standard
	F0637659-00	Shell Weldment	HC60, SC60 and UC60 models; Standard
11	F431128	Washer	HC20, HC25, HC30, SC20, SC30, UC20 and UC30 models
	F431131	Washer	HC40, HC50, HC60, SC40, SC50, SC60, UC40, UC50 and UC60 models
12	F430949	Screw	HC20, HC25, HC30, SC20, SC30, UC20 and UC30 models
	F430987	Screw	HC40, HC50, HC60, SC40, SC50, SC60, UC40, UC50 and UC60 models
13	F430218	Nut	
14	F607003	Frame Assembly	HC20, SC20 and UC20 models
	F606178	Frame Assembly	Models HC25VC2 and HC25VX2
	F630232	Frame Assembly	HC30, SC30 and UC30 models
	F0636108-00	Frame Weldment	HC40, SC40 and UC40 models; Models through 1/25/05
	F200195300	Frame Weldment	HC40, SC40 and UC40 models; Models starting 1/26/05
	F607005	Frame Assembly	HC50, SC50 and UC50 models
	F0637645-00	Frame Assembly	HC60, SC60 and UC60 models

Trunnion - 20, 25 and 30 Pound Models

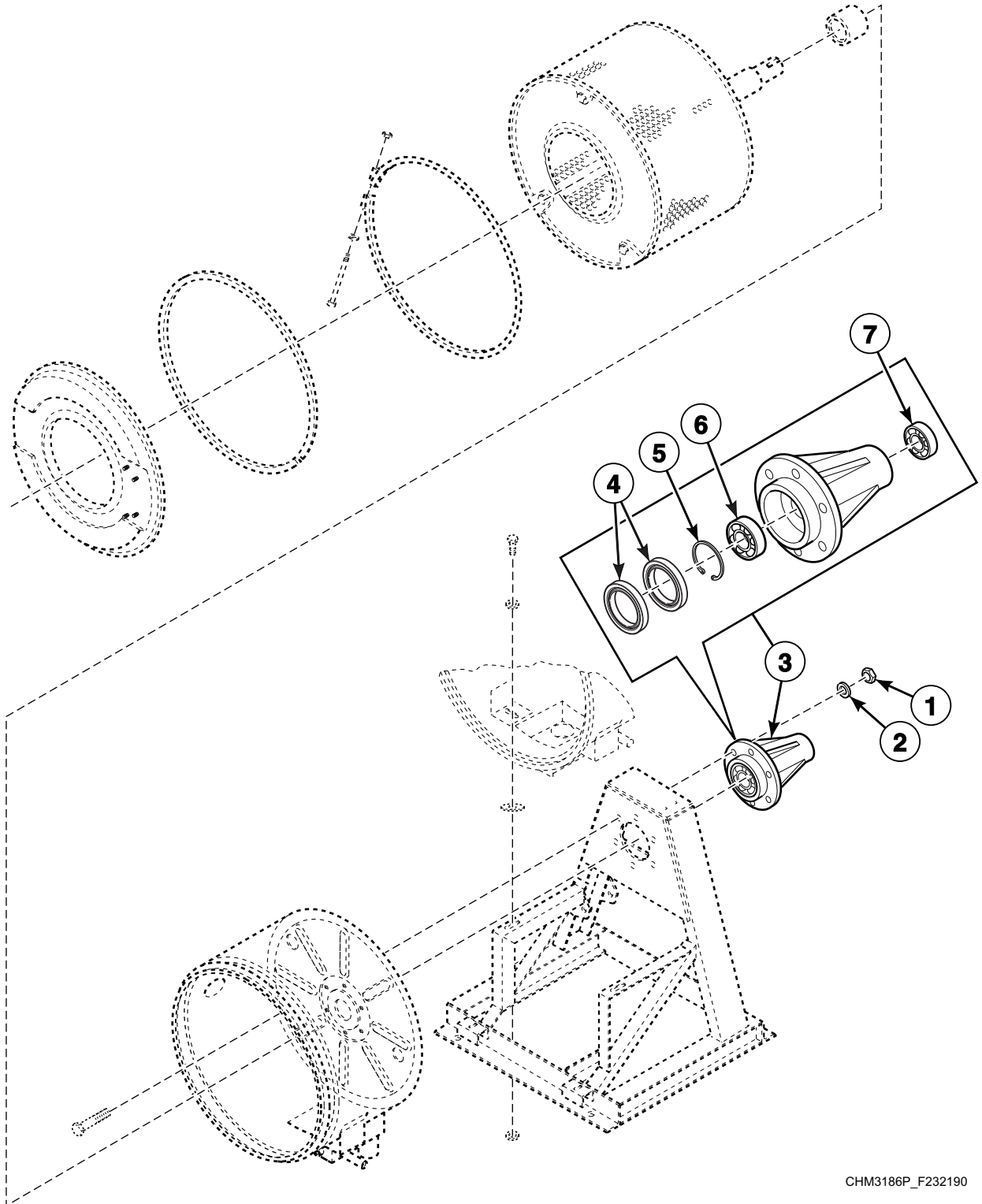


CHM3186P_F232190

Trunnion - 20, 25 and 30 Pound Models

REF	PART NO.	DESCRIPTION	COMMENTS
	RB100001	Bearing Kit	HC20, SC20 and UC20 models; Models starting Serial No. 0611; Includes items 1, 2, 4, 6, 7, F430949 Screw, F792000 Shell Front Gasket Kit, F812P3 Kit and F8312001 Shaft Seal Sleeve
	RB100002	Bearing Kit	HC30, SC30 and UC30 models; Includes items 1, 2, 4, 6, 7, F430987 Screw, F792000 Shell Front Gasket Kit and F8312004 Shaft Seal Sleeve
1	F430239	Nut	20 pound models
	F430240	Nut	30 pound models
2	F431128	Washer	20 pound models
	F431131	Washer	30 pound models
3	F747001	Trunnion Kit	HC20, SC20 and UC20 models that have been upgraded with F935P3 Pressfit Upgrade Kit; Models that have not been upgraded MUST order F935P3 Pressfit Upgrade Kit; HC25 models; Includes items 1, 2, 4-7, F430949 Screw and F792000 Shell Front Gasket Kit
	F747002	Trunnion Kit	HC30, SC30 and UC30 models; Includes items 1, 2, 4-7, F430949 Screw and F792000 Shell Front Gasket Kit
4	F100208	Shaft Seal	HC20, SC20 and UC20 models through 3/31/08
	F8203801	Triple Lip Seal	HC20, SC20 and UC20 models starting 4/1/08; Models HC25VC2 and HC25VX2
	F8203802	Triple Lip Seal	HC30, SC30 and UC30 models
5	F8344901	Retaining Ring	HC20, SC20 and UC20 models; Models that have been upgraded with F935P3 Pressfit Upgrade Kit
	F8345001	Retaining Ring	HC30, SC30 and UC30 models; Models that have been upgraded with F936P3 Pressfit Upgrade Kit
6	F100108	Bearing	6208 2RS C3; HC20, SC20 and UC20 models through 11/6/06; HC30, SC30 and UC30 models; Rear
	F100136P	Bearing	6307 2RS C3; HC20, SC20 and UC20 models starting 11/7/06; HC25 models; Rear
	F100137P	Bearing	6308 2RS C3; HC25 models; Rear
7	F100109P	Motor Bearing	6207 2RS C3; HC20, SC20 and UC20 models; Models through 11/6/06; Front
	F100137P	Bearing	6308 2RS C3; HC20, SC20 and UC20 models; Models starting 11/7/06; Front
	F100123P	Bearing	6309 2RS C3; HC30, SC30 and UC30 models; Front

Trunnion - 40, 50 and 60 Pound Models

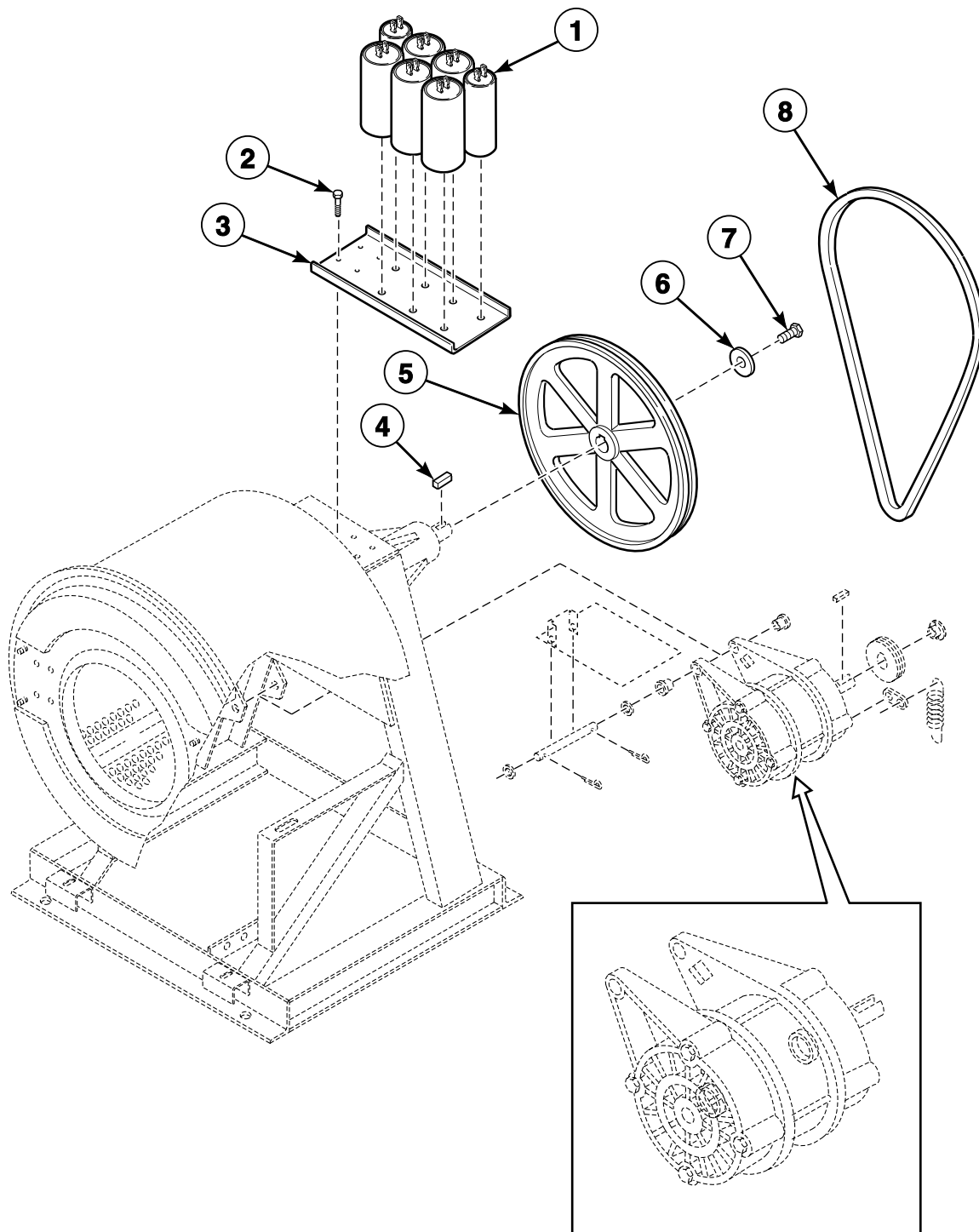


CHM3186P_F232190

Trunnion - 40, 50 and 60 Pound Models

REF	PART NO.	DESCRIPTION	COMMENTS
	RB100003	Bearing Kit	HC40, SC40 and UC40 models; Models through Serial No. 0710; Includes items 1, 2, 4, 6, 7, F430987 Screw, F792000 Shell Front Gasket Kit, F813P3 Kit and F8312003 Shaft Seal Sleeve
	RB100004	Bearing Kit	HC40, SC40 and UC40 models; Models starting Serial No. 0710; Includes items 1, 2, 4, 6, 7, F430987 Screw, F792000 Shell Front Gasket Kit, F813P3 Kit and F8312005 Shaft Seal Sleeve
	RB100005	Bearing Kit	HC50, SC50 and UC50 models; Models starting Serial No. 0710; Includes items 1, 2, 4, 6, 7, F430987 Screw, F792000 Shell Front Gasket Kit, F813P3 Kit and F8312008 Shaft Seal Sleeve
	RB100006	Bearing Kit	HC60, SC60 and UC60 models; Models starting Serial No. 0710; Includes items 1, 2, 4, 6, 7, F430987 Screw, F792000 Shell Front Gasket Kit, F813P3 Kit and F8343909 Shaft Seal Sleeve
1	F430240	Nut	
2	F431131	Washer	
3	F747002	Trunnion Kit	HC40, SC40 and UC40 models; Models through 10/14/07; Includes items 1, 2, 4-7, F430949 Screw and F792000 Shell Front Gasket Kit
	F747003	Trunnion Kit	HC40, SC40 and UC40 models; Models starting 10/15/07 or that have been upgraded with F938P3 Pressfit Upgrade Kit; Includes items 1, 2, 4-7, F430987 Screw and F792000 Shell Front Gasket Kit
	F747004	Trunnion Kit	HC50, SC50 and UC50 models; Includes items 1, 2, 4-7, F430987 Screw and F792000 Shell Front Gasket Kit
	F747005	Trunnion Kit	HC50, SC50 and UC50 models that have been upgraded with F942P3 Pressfit Upgrade Kit; HC60, SC60 and UC60 models; Includes items 1, 2, 4-7, F430987 Screw and F792000 Shell Front Gasket Kit
4	F8203802	Triple Lip Seal	HC40, SC40 and UC40 models; Models with F747002 Trunnion Kit installed
	F8203803	Triple Lip Seal	HC40, SC40 and UC40 models; Models with F747003 Trunnion Kit installed
	F8203805	Triple Lip Seal	HC50, SC50 and UC50 models
	F8203806	Triple Lip Seal	HC60, SC60 and UC60 models
5	F8337801	Retaining Ring	HC40, SC40 and UC40 models; Models that have been upgraded with F938P3 Pressfit Upgrade Kit
	F8337901	Retaining Ring	HC60, SC60 and UC60 models; Models that have been upgraded with F939P3 Pressfit Upgrade Kit
6	F100108	Bearing	6208 2RS C3; HC40, SC40 and UC40 models; Rear
	F100123P	Bearing	6309 2RS C3; HC50, SC50 and UC50 models; Rear
	F100134	Bearing	6310 2RS C3; HC60, SC60 and UC60 models; Rear
7	F100123P	Bearing	6309 2RS C3; HC40, SC40 and UC40 models; Front
	F100122	Bearing	6312 2RS C3; HC50, SC50 and UC50 models; Front
	F100135	Bearing	6313 2RS C3; HC60, SC60 and UC60 models; Front

Motor, Pulley and Belt Assembly - 20, 25 and 30 Pound Models (Drawing 1 of 3)

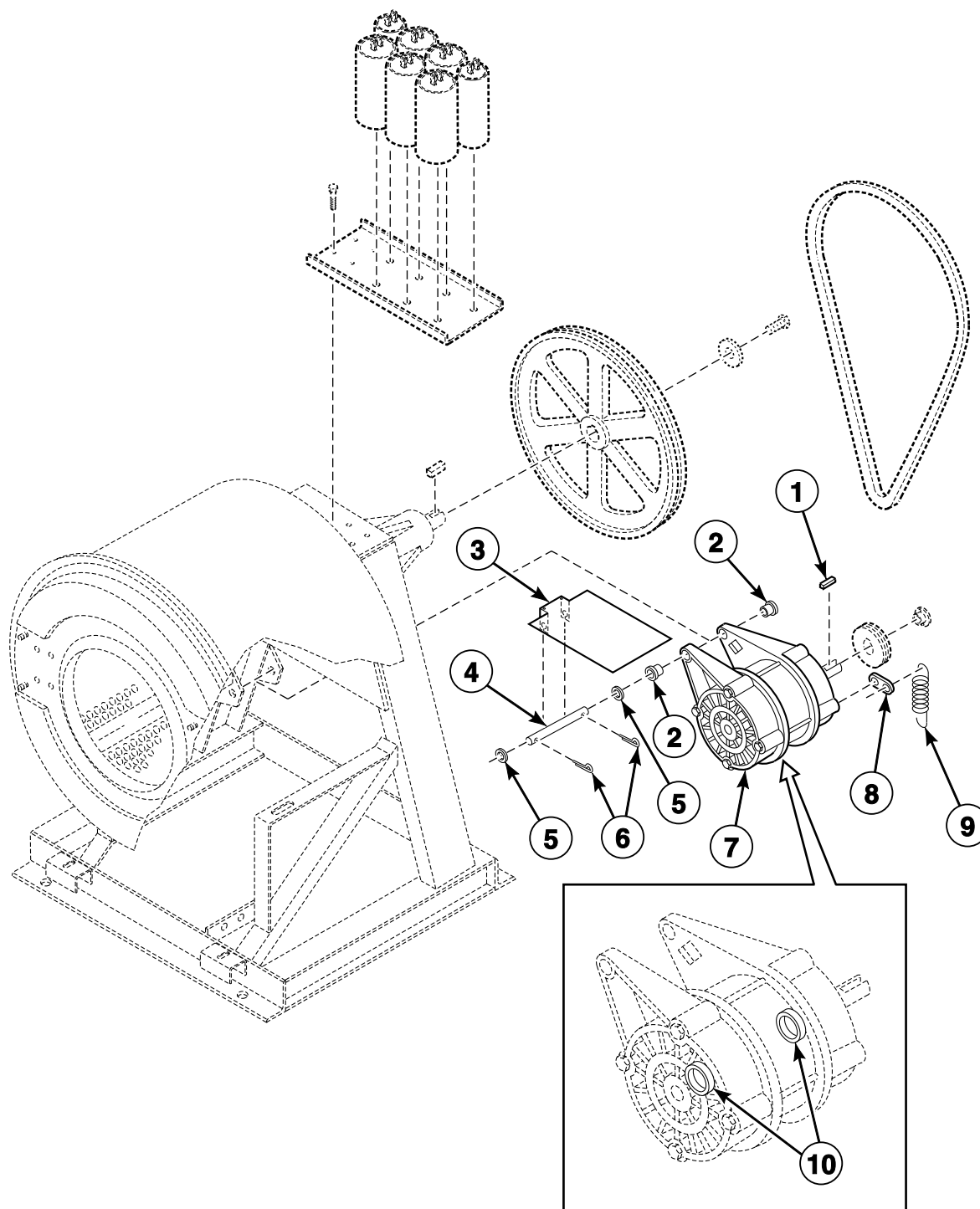


CHM2598P_F232190

Motor, Pulley and Belt Assembly - 20, 25 and 30 Pound Models (Drawing 1 of 3)

REF	PART NO.	DESCRIPTION	COMMENTS
1	F370230	Capacitor	10 Microfarad; 1 Phase models; HC25, HC30, SC30 and UC30 E-voltage models with Elmo motors 2 used
	F370224P	Capacitor	20 Microfarad; 1 Phase models; HC25, HC30, SC30 and UC30 Y-voltage models with Elmo motors 4 used; HC25, HC30, SC30 and UC30 E-voltage models with Elmo motors 3 used
	F8411801	Capacitor	25 Microfarad; 1 Phase models; HC20, SC20 and UC20 Y-voltage models with Elmo motors 1 used
	F8411901	Capacitor	50 Microfarad; 1 Phase models; HC20, SC20 and UC20 Y-voltage models with Elmo motors 1 used
	F370221	Capacitor	100 Microfarad; 1 Phase models; HC20, SC20 and UC20 B-voltage models with Elmo motors 2 used; HC25, HC30, SC30 and UC30 E-voltage models with Elmo motors 2 used
	F370220	Capacitor	130 Microfarad; 1 Phase models; HC20, SC20 and UC20 B-voltage models with Elmo motors 1 used; HC25, HC30, SC30 and UC30 Y-voltage models with Elmo motors 1 used
2	F430108	Screw	
3	F200033500	Capacitor Mounting Bracket	HC20, HC25, HC30, SC20, SC30, UC20 and UC30 models
4	F430801	Key	
5	F280168	Pulley	HC20, HC25, SC20 and UC20 models
	F280172	Sheave Pulley	HC30, SC30 and UC30 models
6	F0431159-00	Washer	
7	F430927	Screw	
	F430100	Screw	HC20, SC20 and UC20 models; Models that have been upgraded with F935P3 Pressfit Upgrade Kit
8	F280343	Belt	HC20, SC20 and UC20 models; C, D, E and J-voltage; 3V-730
	F280337	Belt	HC20, SC20 and UC20 models; B, C, F, L, O and Y-voltage; 3V-710
	F280343	Belt	HC20, SC20 and UC20 models; F-voltage; Heat; 3V-730; Replaces F280337 Belt
	F280337	Belt	Models HC25VC2 and HC25VX2; C, D, F, H, J, L, O and Y-voltage; 3V-710
	F028038000P	Belt	Models HC25VC2 and HC25VX2; E-voltage; 3V-720; Replaces F280337 Belt
	F280321	Belt	HC30, SC30 and UC30 models; 3V-800

Motor, Pulley and Belt Assembly - 20, 25 and 30 Pound Models (Drawing 2 of 3)

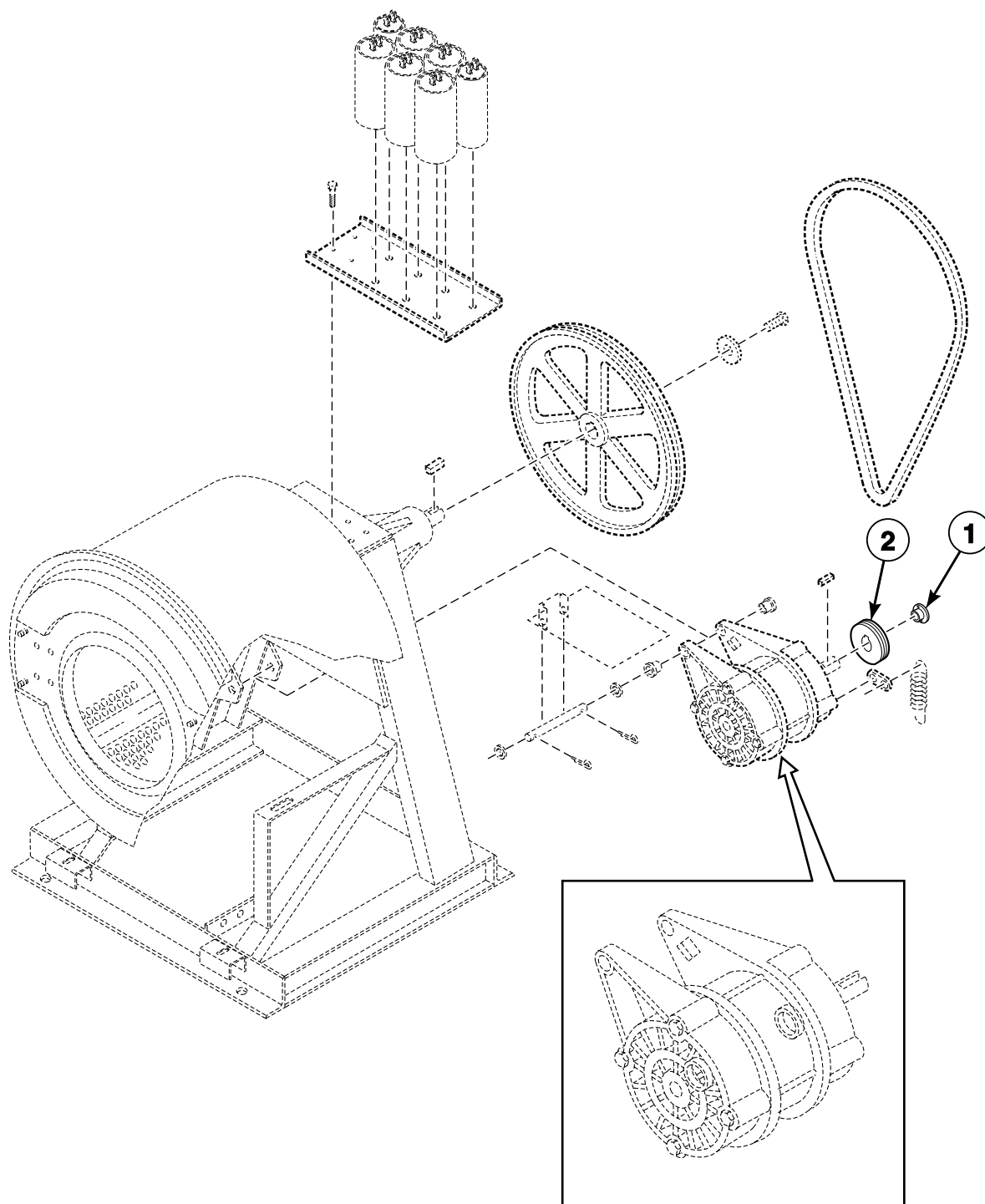


CHM2599P_F232190

Motor, Pulley and Belt Assembly - 20, 25 and 30 Pound Models (Drawing 2 of 3)

REF	PART NO.	DESCRIPTION	COMMENTS
1	F430802	Key	
2	F200186100	Motor Support Bushing	
3	F200216900	Motor Drip Shield	
4	F603059	Motor Support Rod	Models HC25VC2 and HC25VX2
	F602844	Motor Support Rod	All other models
5	901690	Washer	
6	F430401	Cotter Pin	
7	F8329301P	Motor	HC20, SC20 and UC20 models; J and O-voltage; Includes motor support bushing; Replaces F022039600P, F220350 and F220352 Motors
	F220352	Motor	HC20, SC20 and UC20 models; D-voltage
	F832940P	Motor	HC20, SC20 and UC20 models; C, F, G and H-voltage; With or without heat; Includes item 2
	F8353501P	Motor Conversion Kit	E-voltage; Includes motor support bushing; Replaces F220125P, F220117 and F220130 Motors
	F8329601P	Motor	HC20, SC20 and UC20 models; B-voltage; Includes motor support bushing; Replaces F220110P Motor
	F022012800P	Motor	HC20, SC20 and UC20 models; Y-voltage; Includes item 2; Replaced by F8329501P Motor
	F8411501	Motor Conversion Kit	HC20, SC20 and UC20 models; Models before 6/2009; Y-voltage; Replaces F022012800P Motor
	F8329501P	Motor	HC20, SC20 and UC20 models; Models after 6/2009 that have been upgraded with F8411501 Motor Conversion Kit; Y-voltage
	F8329801P	Motor	Models HC25VC2 and HC25VX2; C, F and H-voltage; Includes motor support bushing; Replaces F022038800P Motor
	F220389P	Motor	HC25, HC30, SC30 and UC30 models; D and J-voltage
	F8329701P	Motor	HC25, HC30, SC30 and UC30 models; O-voltage; Includes motor support bushing; Replaces F022038700P Motor
	F8329901P	Motor	HC25, HC30, SC30 and UC30 models; Y-voltage; Includes motor support bushing; Replaces F022012400P Motor
	8	F601515	Clip
9	F310124	Extension Spring	
10	M400592	Ball Bearing	

Motor, Pulley and Belt Assembly - 20, 25 and 30 Pound Models (Drawing 3 of 3)

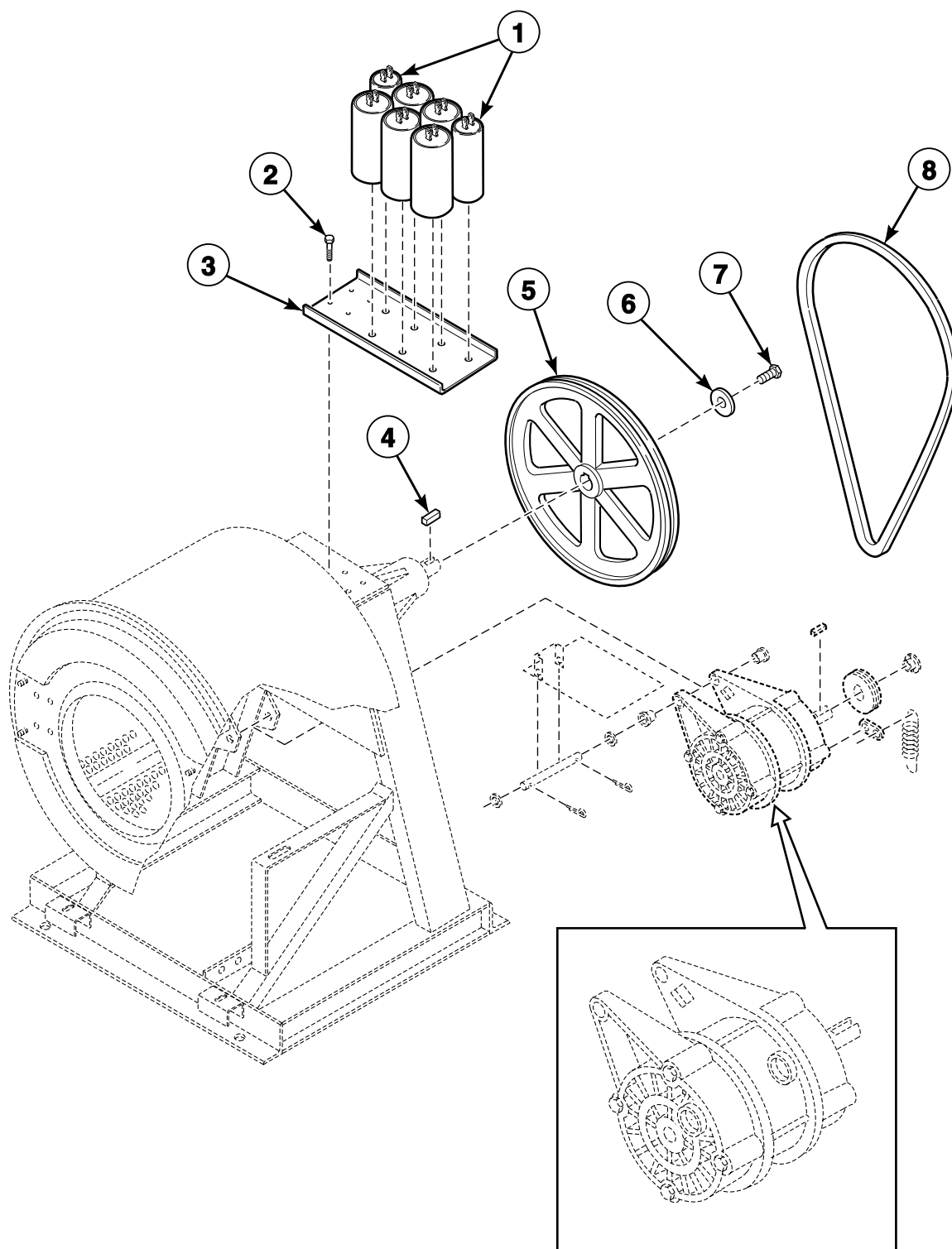


CHM2600P_F232190

Motor, Pulley and Belt Assembly - 20, 25 and 30 Pound Models (Drawing 3 of 3)

REF	PART NO.	DESCRIPTION	COMMENTS
1	H87529111P	Bushing	HC20, SC20 and UC20 models; C, D, G and J-voltage; Replaces F280430 Bushing
	F280298P	Pulley Bushing	HC20, SC20 and UC20 models; Models starting 5/24/02; E-voltage
	H87529111P	Bushing	Models HC25VC2 and HC25VX2; C, D and J-voltage; Replaces F280430 Bushing
	F280298P	Pulley Bushing	Models HC25VC2 and HC25VX2; E-voltage; Replaces 280214 Motor Bushing
	F280298P	Pulley Bushing	Models HC25VC2 and HC25VX2; L and Y-voltage; Replaces F220209 Bushing
	H87529111P	Bushing	HC30, SC30 and UC30 models; C and D-voltage; Replaces F280340 Bushing
	H87529111P	Bushing	HC30, SC30 and UC30 models; J-voltage; Replaces F280430 Bushing
	F280225P	Bushing	HC30, SC30 and UC30 models; E-voltage
	2	F280427P	Pulley
F280427P		Pulley	HC20, SC20 and UC20 models; E-voltage; Replaces F280184 Pulley and F280430 Bushing; Replacement of F280184 Pulley requires F280298P Pulley Bushing
F280170		Sheave Pulley	HC20, SC20 and UC20 models; B, F, H, O and Y-voltage
F280170		Sheave Pulley	HC20, SC20 and UC20 models; F and H-voltage; Heat
F280427P		Pulley	Models HC25VC2 and HC25VX2; C, D and J-voltage; Replaces F280184 Pulley; Replacement of F280184 Pulley requires F280430 Bushing; F280430 Bushing is used with F280427 Pulley
F280427P		Pulley	Models HC25VC2 and HC25VX2; E-voltage; Replaces F280180 Pulley; Replacement of F280180 Pulley requires F280298P Pulley Bushing; F280298P Pulley Bushing is used with F280427 Pulley
F280170		Sheave Pulley	Models HC25VC2 and HC25VX2; F, H and O-voltage
F280416		Pulley	Models HC25VC2 and HC25VX2; L and Y-voltage; Replaces F280139 Pulley and F280298P Pulley Bushing; F280298P Pulley Bushing is used with F280416 Pulley
H87520334		Sheave	HC30, SC30 and UC30 models; C and D-voltage; Replaces F280283 Pulley; Replacement of F280283 Pulley requires F280430 Bushing; F280430 Bushing is used with F280418 Pulley
F280423		Pulley	HC30, SC30 and UC30 models; E-voltage; F280225P Bushing is used with F280423 Pulley
F280284		Pulley	HC30, SC30 and UC30 models; F, H and O-voltage
F280281		Motor Pulley	HC30, SC30 and UC30 models; Y-voltage; Replaces F280198 Pulley

Motor, Pulley and Belt Assembly - 40, 50 and 60 Pound Models (Drawing 1 of 2)

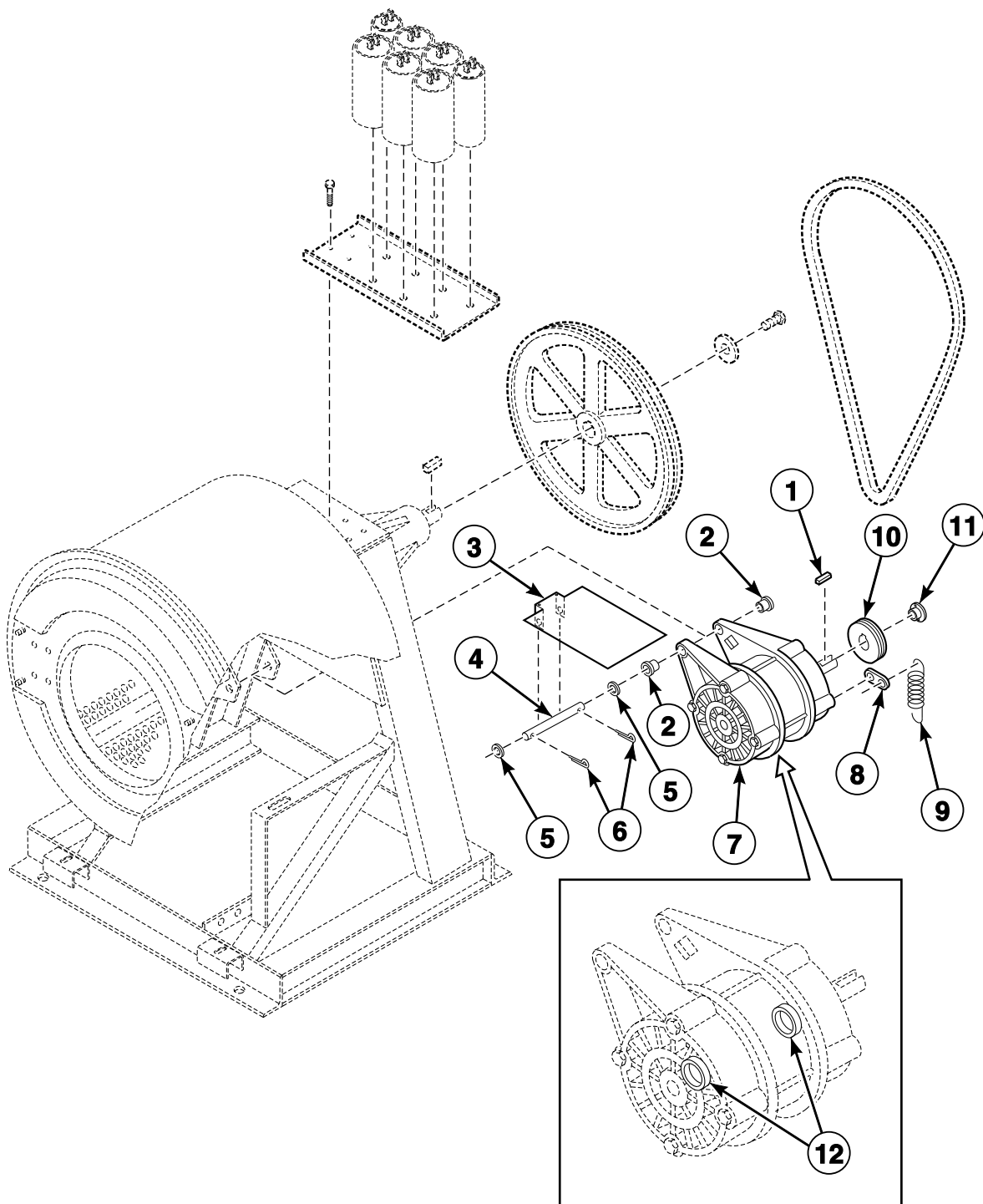


CHM2601P_F232190

Motor, Pulley and Belt Assembly - 40, 50 and 60 Pound Models (Drawing 1 of 2)

REF	PART NO.	DESCRIPTION	COMMENTS
1	F370224P	Capacitor	20 Microfarad; 1 Phase models; HC40, SC40 and UC40 Y-voltage models with Elmo motors 1 used; HC50, SC50 and UC50 Y-voltage models with Elmo motors 3 used
	F8411801	Capacitor	25 Microfarad; 1 Phase models; HC40, SC40 and UC40 Y-voltage models with Elmo motors 1 used
	F8411901	Capacitor	50 Microfarad; 1 Phase models; HC40, SC40 and UC40 Y-voltage models with Elmo motors 1 used; HC50, SC50 and UC50 Y-voltage models with Elmo motors 2 used
	F370220	Capacitor	130 Microfarad; 1 Phase models; HC50, SC50 and UC50 Y-voltage models with Elmo motors 3 used
	F370218P	Capacitor	160 Microfarad; 1 Phase models; HC40, SC40 and UC40 Y-voltage models with Elmo motors 1 used
2	F430108	Screw	
3	F200033500	Capacitor Mounting Bracket	
4	F430801	Key	
5	F280197	Pulley	HC40, SC40 and UC40 models
	F280173	Pulley	HC50, HC60, SC50, SC60, UC50 and UC60 models
6	F431115	Washer	
7	F430100	Screw	
8	F280341	Belt	HC40, SC40 and UC40 models; C, D and J-voltage; 3V850
	F280342	Belt	HC40, SC40 and UC40 models; F, H, O and Y-voltage; 3V-830
	F280373	Belt	HC50, HC60, SC50, SC60, UC50 and UC60 models; C, D and J-voltage; 3V-90.65; Replaces F280304 Belt in 50 Hertz models
	F280304	Belt	HC50, HC60, SC50, SC60, UC50 and UC60 models; F, H, O and Y-voltage; 3V-900

Motor, Pulley and Belt Assembly - 40, 50 and 60 Pound Models (Drawing 2 of 2)

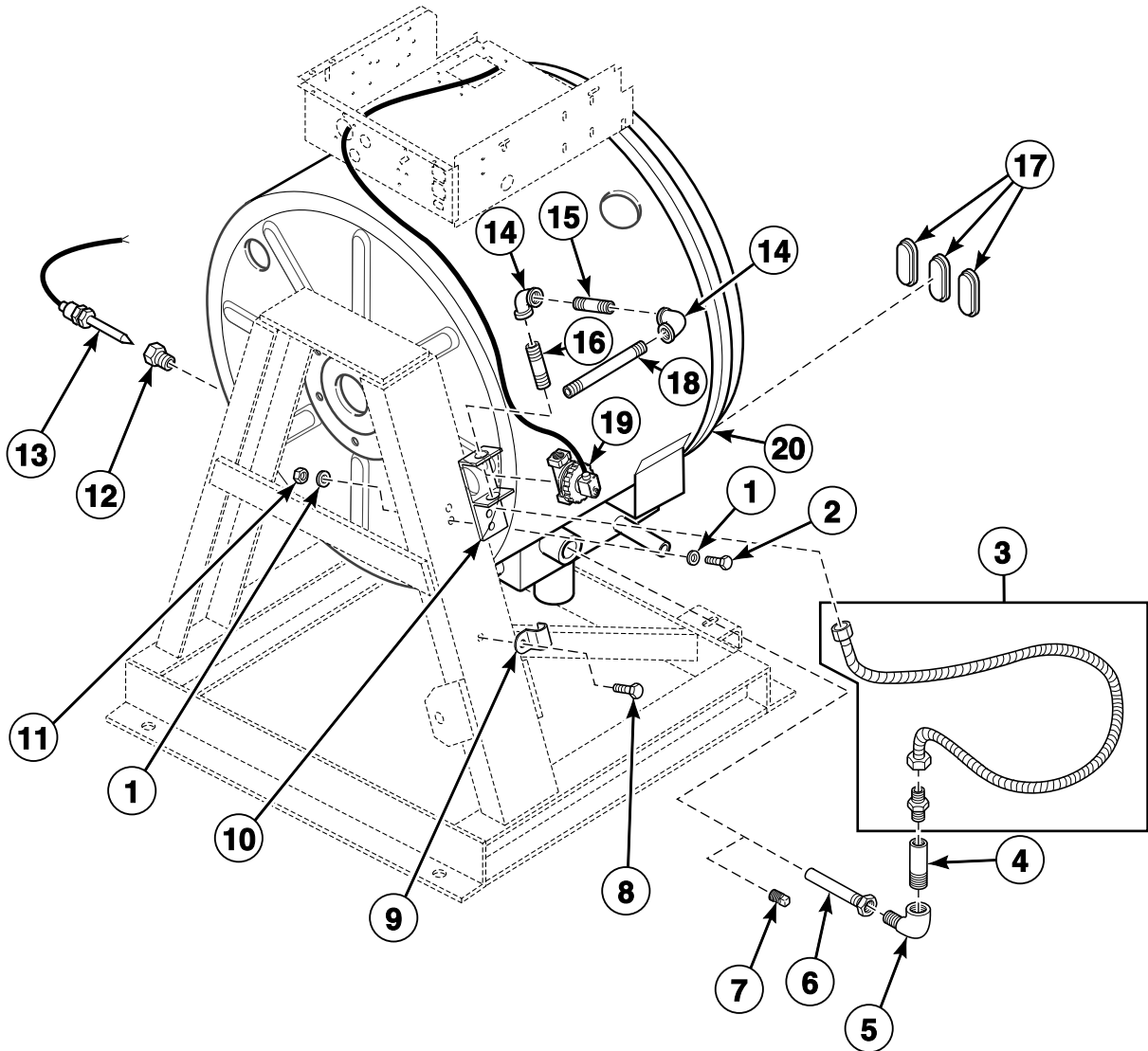


CHM2602P_F232190

Motor, Pulley and Belt Assembly - 40, 50 and 60 Pound Models (Drawing 2 of 2)

REF	PART NO.	DESCRIPTION	COMMENTS
1	F430802	Key	
2	F200186100	Motor Support Bushing	
3	F200216900	Motor Drip Shield	HC40, SC40 and UC40 models; All voltages except Y-voltage
	F200280700	Motor Drip Shield	HC40, SC40 and UC40 models Y-voltage; HC50, HC60, SC50, SC60, UC50 and UC60 models
4	F603059	Motor Support Rod	HC40, SC40 and UC40 models
	F603897	Motor Support Rod	HC50, HC60, SC50, SC60, UC50 and UC60 models
5	901690	Washer	
6	F430401	Cotter Pin	
7	F8330001P	Motor	HC40, SC40 and UC40 models; Replaces F0220321-00P Motor; Includes motor support bushing
	F8330201P	Motor	HC40, SC40 and UC40 models; HC50, SC50 and UC50 models Y-voltage; Replaces F0220120-01P Motor; Includes motor support bushing
	F0798912-00	Motor Retrofit Kit	Replaces F0220137-00 Motor; HC40, SC40 and UC40 models; Models starting Serial No. 3020329162
	F220354P	Motor	HC50, HC60, SC50, SC60, UC50 and UC60 models; D-voltage
	F8330301P	Motor	HC50, HC60, SC50, SC60, UC50 and UC60 models; J and O-voltage; Replaces F022032200P and F220354 Motors; Includes motor support bushing
	F8330401P	Motor	HC50, HC60, SC50, SC60, UC50 and UC60 models; C, F, G and H-voltage; Includes item 2
8	F601515	Clip	Elmo only
9	F310124	Extension Spring	
10	F280105P	Pulley	HC40, SC40 and UC40 models; C, D, G and J-voltage; Replaces F280185 Motor Pulley; F280225P Bushing is used with F280105P Pulley
	F0280385-00	Sheave	HC40, SC40 and UC40 models; F, H, O and Y-voltage
	F280422P	Pulley	HC50, HC60, SC50, SC60, UC50 and UC60 models; C, D, G and J-voltage; Replaces F280186P Pulley; F280225P Bushing is used with F280422 Pulley
	F0280385-00	Sheave	HC50, HC60, SC50, SC60, UC50 and UC60 models; F, H, K, O and Y-voltage
	F280287P	Sheave Kit	HC60, SC60 and UC60 models; X-voltage
11	F280225P	Bushing	HC40, HC50, HC60, SC40, SC50, SC60, UC40, UC50 and UC60 models; C, D, G and J-voltage
12	F100124	Motor Bearing	

Steam Heat Assembly



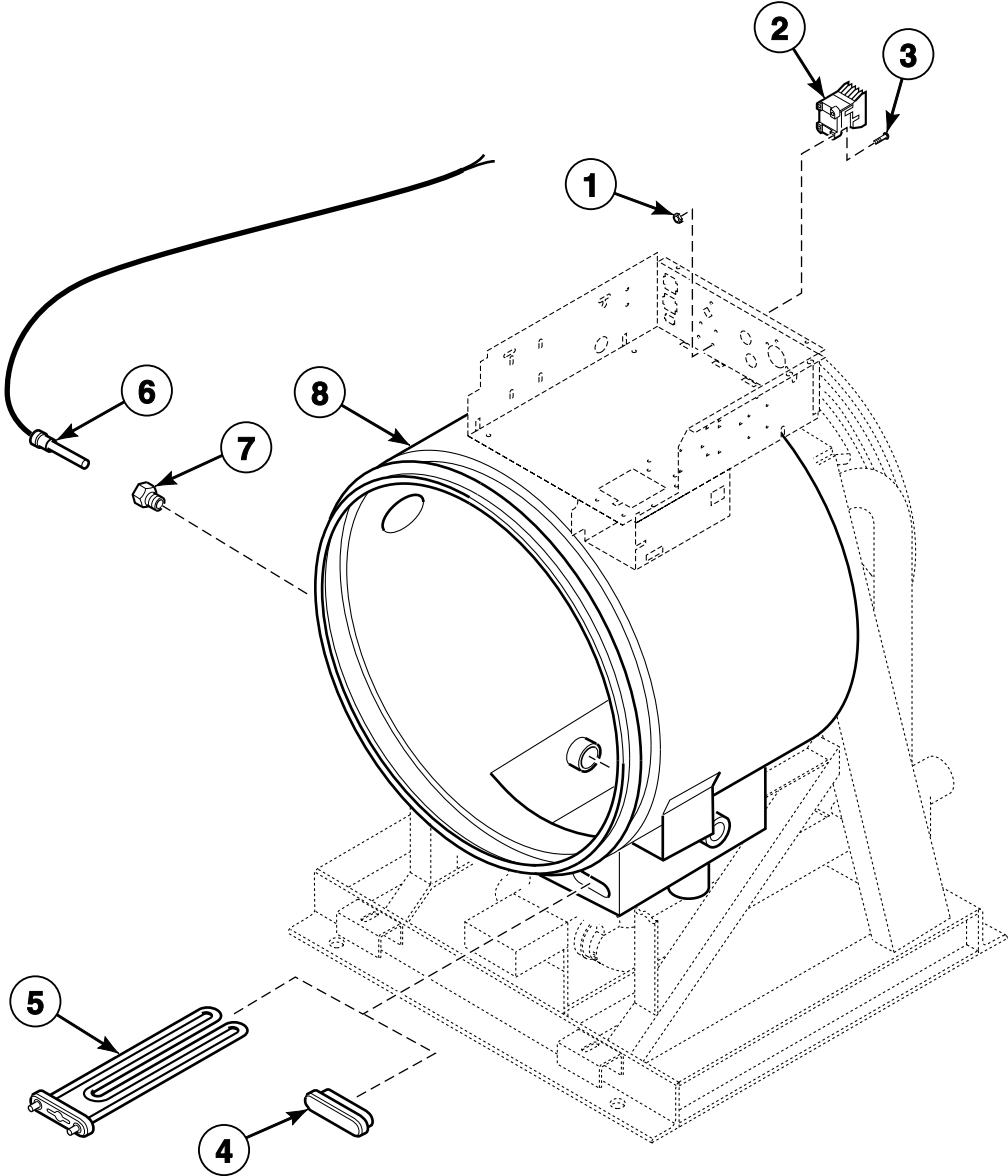
CHM2628P_F232190

Steam Heat Assembly

REF	PART NO.	DESCRIPTION	COMMENTS
	F8514701	Coil	Use with F8322802 Valve
	F8514601	Coil	Use with F8322801P Valve
	F8382301	DIN Valve Adapter Kit	Use with F8322801P Valve and F8322802 Valve
	F8379501	Valve Kit	Use with F8322801P Valve and F8322802 Valve
1	F430317	Washer	
2	F430108	Screw	
3	F200153P	Steam Hose	HC40, SC40 and UC40 models
	F200154	Steam Hose	All other models
	F410300	Pipe Insulation	
4	70435601	Pipe Nipple	HC40, SC40 and UC40 models
5	70079601	Elbow	HC40, SC40 and UC40 models
6	F603131	Steam Injector Tube Assembly	
7	F200202600	Plug	
8	F430115	Screw	
9	N/A	Cable Strap	
10	F601186	Steam Bracket Assembly	
11	F430215	Nut	
12	F421936	Reducer Bushing	
13	F370606P	Temperature Probe	
14	70079601	Elbow	
15	F420708	Nipple	
16	70435601	Pipe Nipple	
17	F360202	Heating Element Plug	
18	70214101	Pipe Nipple	
19	F8322802	Valve	Replaces F380786P Steam Valve; Includes F8514701 Coil; For models that have been upgraded with F8521601 DIN Valve Kit
	F8521601	DIN Valve Kit	Replaces F380786P Steam Valve; Includes F8322802 Valve and F8514701 Coil
	F8322801P	Valve	Replaces F380787P Steam Valve; Includes F8514601 Coil; For models that have been upgraded with F8521801 DIN Valve Kit
	F8521801	DIN Valve Kit	Replaces F380787P Steam Valve; Includes F8322801P Valve, F8382301 DIN Valve Adapter Kit and F8514601 Coil
20	F0637054-00	Shell Weldment	HC20, SC20 and UC20 models; E-voltage; Heat option
	F0636601-00	Shell Weldment	HC20, SC20 and UC20 models; All voltages except E; Heat option
	F0636700-00	Shell Weldment	Models HC25VC2 and HC25VX2; Heat option
	F0636704-00	Shell Weldment	HC30, SC30 and UC30 models; Heat option
	F8196202	Shell Weldment	HC40, SC40 and UC40 models; Models through 1/25/05; Heat option; Centered top hole in back of shell
	F200199700	Shell Weldment	HC40, SC40 and UC40 models; Models through 1/25/05; Heat option; No centered top hole in back of shell
	F8196204	Shell Weldment	HC40, SC40 and UC40 models; Models starting 1/26/05; Heat option
	F0636747-00	Shell Weldment	HC50, SC50 and UC50 models; Heat option
	F0637661-00	Shell Weldment	HC60, SC60 and UC60 models; Heat option

N/A = Part no longer available

Electric Heat Option

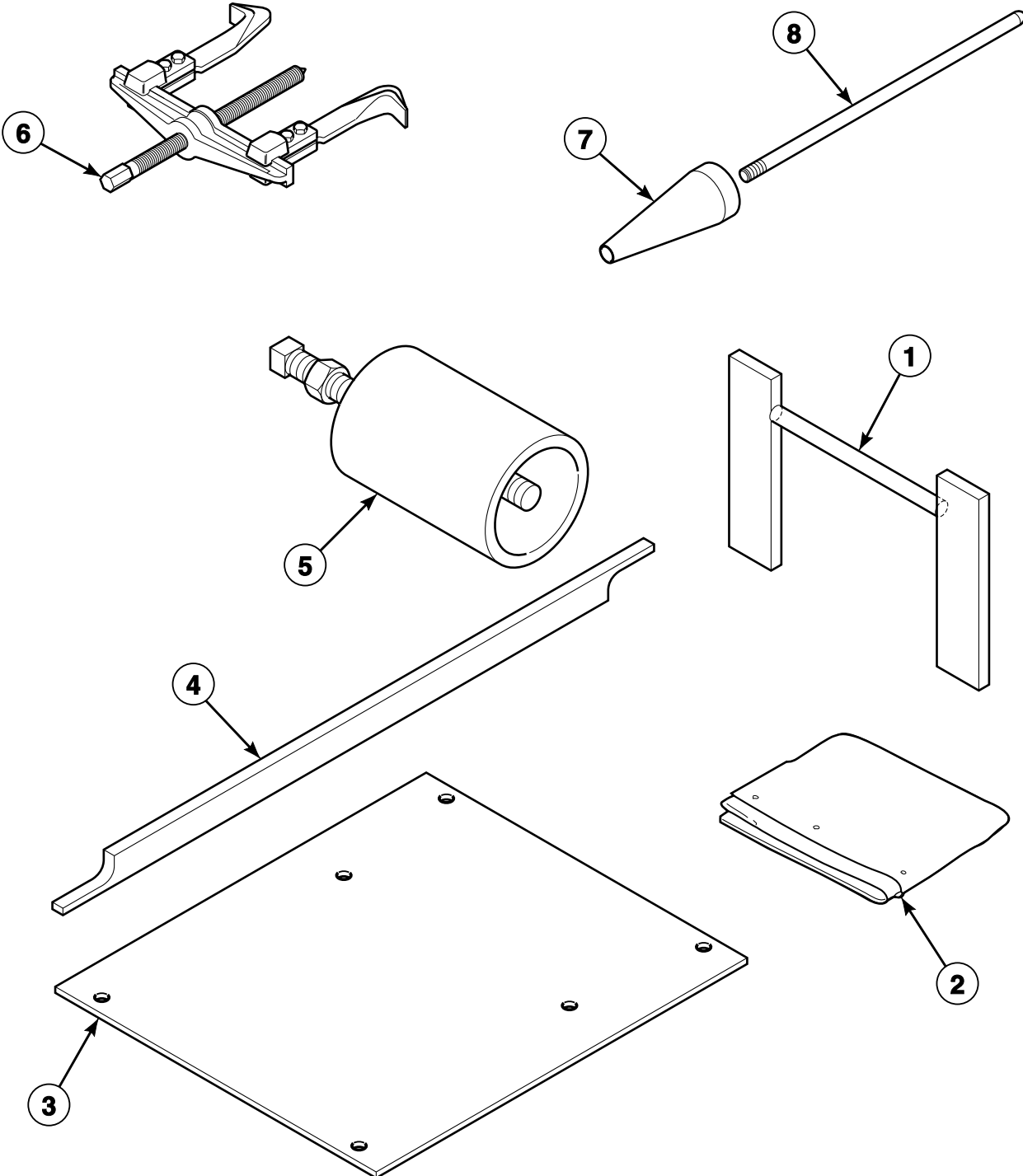


CHM2384P_F232190

Electric Heat Option

REF	PART NO.	DESCRIPTION	COMMENTS
1	F430231	Nut	
2	F330188P	Contactora	HC20, HC25, HC30, SC20, SC30, UC20 and UC30 models E-voltage; HC20, HC25, HC30, SC20, SC30, UC20 and UC30 models Y-voltage 220 Volt ; HC50, HC60, SC50, SC60, UC50 and UC60 models C-voltage; HC50, HC60, SC50, SC60, UC50 and UC60 models H and O-voltage 220 Volt; HC50, HC60, SC50, SC60, UC50 and UC60 models D and J-voltage
	F330175P	Contactora	HC20, HC25, HC30, SC20, SC30, UC20 and UC30 models F and H-voltage 120 Volt; HC20, HC25, HC30, SC20, SC30, UC20 and UC30 models O-voltage 120 Volt
	F330177P	Contactora	HC20, HC25, HC30, SC20, SC30, UC20 and UC30 models C, D and J-voltage; HC20, HC25, HC30, SC20, SC30, UC20 and UC30 models F, H and O-voltage 220 Volt
	F330187P	Contactora	HC20, HC25, HC30, SC20, SC30, UC20 and UC30 models Y-voltage 120 Volt; HC50, HC60, SC50, SC60, UC50 and UC60 models H and O-voltage 120 Volt
	F330180P	Contactora	HC40, SC40 and UC40 models O-voltage 120 Volt; HC50, HC60, SC50, SC60, UC50 and UC60 models F-voltage 120 Volt
	F330179P	Contactora	HC40, SC40 and UC40 models C-voltage; HC40, SC40 and UC40 models F and H-voltage 220 Volt
	F330178P	Contactora	HC40, SC40 and UC40 models; F and H-voltage; 120 Volt
	F330182	Contactora	HC40, SC40 and UC40 models O-voltage 220 Volt; HC50, HC60, SC50, SC60, UC50 and UC60 models F-voltage 220 Volt; HC40, SC40 and UC40 models D and J-voltage
3	F430916	Screw	
4	F360202	Heating Element Plug	
5	F360206P	Heating Element	2.0 kW; HC20, SC20 and UC20 models; E-voltage
	F0360210-00	Heating Element	5.2 kW; HC40, SC40 and UC40 models; 3 required
	F360205P	Element	2.6 kW; All other models
6	F370606P	Temperature Probe	
7	F421936	Reducer Bushing	
8	F0636601-00	Shell Weldment	HC20, SC20 and UC20 models; All voltages except E; Heat option
	F0637054-00	Shell Weldment	HC20, SC20 and UC20 models; E voltage; Heat option
	F0636700-00	Shell Weldment	Models HC25VC2 and HC25VX2; Heat option
	F0636704-00	Shell Weldment	HC30, SC30 and UC30 models; Heat option
	F8196202	Shell Weldment	HC40, SC40 and UC40 models; Models through 1/25/05; Heat option; Centered top hole in back of shell
	F200199700	Shell Weldment	HC40, SC40 and UC40 models; Models through 1/25/05; Heat option; No centered top hole in back of shell
	F8196204	Shell Weldment	HC40, SC40 and UC40 models; Models starting 1/26/05; Heat option
	F0636747-00	Shell Weldment	HC50, SC50 and UC50 models; Heat option
	F0637661-00	Shell Weldment	HC60, SC60 and UC60 models; Heat option

Special Tools



CHM2970P_F232190

Special Tools

REF	PART NO.	DESCRIPTION	COMMENTS
1	F460131	Basket Pulley Puller Tool	
2	F450127	Template	HC50, SC50 and UC50 models
3	F608707	Bolt Layout Mounting Template	HC20, SC20 and UC20 models
	F631796	Bolt Layout Mounting Template	HC30, SC30 and UC30 Models
	F0637047-00	Bolt Layout Mounting Template	HC40, SC40 and UC40 models
	F608710	Bolt Layout Mounting Template	HC50, HC60, SC50, SC60, UC50 and UC60 models
4	N/A	Basket Pulley Alignment Bar	HC50, SC50 and UC50 models
5	F798001	Basket Pulley Kit	HC20, SC20 and UC20 models
	F798002	Basket Puller Kit	HC30, SC30 and UC30 Models
	F798003	Basket Puller Kit	HC50, HC60, SC50, SC60, UC50 and UC60 models
6	F460129P	Bearing Puller Tool	
7	396P4	Cone	HC20, SC20 and UC20 models
	397P4	Cone	HC30, SC30, UC30, HC40, SC40 and UC40 models
	398P4	Cone	HC50, SC50, UC50, HC60, SC60 and UC60 models
8	401P4	Basket Installation Tool Rod	

N/A = Part no longer available

Parts Index

A

Air Chamber Nipple	
F634178	45
Air Trap Hose	
F020014200	41, 43, 45

B

Ball Bearing	
M400592	75
Basket Assembly	
F603900-1	65
F8123601P	65
F8347801P	65
F8347901P	65
F8391701P	65
F8391901P	65
F8502803	65
Basket Installation Tool Rod	
401P4	87
Basket Puller Kit	
F798002	87
F798003	87
Basket Pulley Kit	
F798001	87
Basket Pulley Puller Tool	
F460131	87
Basket Rental Tool Kit	
390P4	65
Basket Tool Kit	
389P4	65
Bearing	
F100108	69, 71
F100122	71
F100123P	69, 71
F100134	71
F100135	71
F100136P	69
F100137P	69
Bearing Kit	
RB100001	69
RB100002	69
RB100003	71
RB100004	71
RB100005	71
RB100006	71
Bearing Puller Tool	
F460129P	87
Belt	
F028038000P	73
F280304	79
F280321	73
F280337	73
F280341	79
F280342	79
F280343	73
F280373	79
Bezel Gasket	
F0170190-00P	33

Blind Rivet	
F8245101	51
J1111905	51
Board	
F370555-11P	13
Bolt	
F430969	51
Bolt Layout Mounting Template	
F0637047-00	87
F608707	87
F608710	87
F631796	87
Bridge Rectifier	
F370310	17
Bushing	
F280225P	77, 81
H87529111P	77

C

Cabinet Brace	
F0636131-00	61
F0636217-00	57, 59
F0636218-00	61
F0636320-00	61
F0636518-00	61
F0636596-00	61
F0637632-00	61
F634800	57, 59
F634801	57, 59
F634803P	57, 59
Cabinet Corner Stiffener	
F200168900	57, 59
Cap	
F190303	33
Capacitor	
F370218P	79
F370220	73, 79
F370221	73
F370224P	73, 79
F370225P	19
F370230	73
F8411801	73, 79
F8411901	73, 79
Capacitor Mounting Bracket	
F200033500	73, 79
Capacitor Mounting Clamp	
F140612P	19
Clamp Ring Assembly	
F8388002	67
Clip	
F601515	13, 75, 81
Coil	
F8514601	83
F8514701	83
Coin Box	
F160672	25
F160673	25
Coin Guide Assembly	
F200002502P	27
F200002503	29

N/A items do not appear in index.

Coin Meter Assembly		
F200003800P	27	
F200003801	27	
F200003802P	27	
F200003803	27	
F200003805	27	
F200003806P	27	
F200003807	27	
F200003808	27	
F200003809	27	
F200003810	27	
F200003811	27	
F200003812	27	
F200005200	29	
F200005201	29	
F200005202	29	
F200005203	29	
F200005204	29	
F200005205	29	
F200005206	29	
F200005207	29	
F200005208	29	
F200005209	29	
F200005210	29	
F200005211	29	
F200005212	29	
Coin Meter Blocking Coil		
F160466P	27, 29	
F160467P	27, 29	
Coin Meter Decal		
F0231595-00	29	
Coin Meter Insert		
F608925	27, 29	
Coin Meter Insert Decal		
F231010	27	
Computer		
F370555-01P	13	
Computer and Door Lock Harness		
F200296000P	19	
Conductor Decal		
F231146	11	
Cone		
396P4	87	
397P4	87	
398P4	87	
Contacto		
F330175P	23, 85	
F330177P	23, 85	
F330178P	85	
F330179P	85	
F330180P	85	
F330182	85	
F330187P	85	
F330188P	85	
Control Box Assembly		
F0636969-00	19	
F0636969-01	19	
F0637033-01	17	
Control Panel Assembly		
F0636810-01	57	
F0636894-00	59	
F0636894-01	57	
F0636896-00	59	
F0636896-01	57	
F0636921-00	59	
F0636921-01	57	
Control Panel Decal		
F0231601-32	13	
F0231602-32	13	
F0231603-32	13	
F0231604-31	15	
F0231608-00	13	
F0231618-00	13	
F200021041	13	
F231467	13	
F231468	13	
F231470	13	
F231553	15	
Cotter Pin		
F430401	75, 81	
Counterclockwise Spin Rotation Decal		
F230693	11, 49	
Cover		
F140423	17	
<hr/>		
D		
Diaphragm and Guide Kit		
G582P3	33	
DIN Valve Adapter Kit		
F8382301	83	
DIN Valve Kit		
F8521601	83	
F8521801	83	
Disconnect Power Warning Label		
505281	11	
Do Not Lift Decal		
F230216	11	
Door		
F602837-1	51	
F602842-2	51	
Door Assembly		
F060323905	51	
F060390105	51	
F603239-4	51	
F603901-4	51	
F604079-4	51	
F604079-5	51	
F8150301	51	
F8150401	51	
F8150501	51	
Door Bezel		
F0170426-00	57	
F0170426-10	57, 59	
F170416-1	57	
F170416-2	57, 59	
F170417-1	57	
F170417-2	57, 59	
Door Gasket		
F017012302	49	
F017012402	49	
F170123	49	
F170124	49	
F200000200	49	
F200000202	49	
Door Glass		
F8485401P	49	
Door Glass Kit		
F290205P	49	
F8485301	49	

N/A items do not appear in index.

Door Handle F150225	49
Door Handle Kit F730155	49
Door Hinge F190216P	51
Door Hinge Shim Kit F200131000P	51
Door Lock Assembly F0636698-04	53
F0636698-05P	53
F200136800P	55
F200136801	55
Door Lock Assembly Cover F603003	53, 55
Door Lock Catch Casting F150261	53, 55
Door Lock CCA F0632387-01P	19
Door Lock Kit F0798839-00	55
F0798839-01	55
Door Lock Microswitch F200203200	53, 55
Door Lock Pin Linkage F150455	53, 55
Door Lock Pin Release Spring F310137	53, 55
Door Lock Plate Assembly F8066701	53, 55
Door Lock PLate Shim F8059701	53
Door Lock Plate Shim F8059701	55
Door Lock Retainer Latch F0636103-00	55
Door Lock Solenoid F0300131-00P	55
Door Lock Splash Shield F320200	53, 55
Door Lock Spring F310125	49
Door Lock Switch Lever F0636636-00	53, 55
Door Lock Time Delay F200025200P	17, 19
Door Lock Torsion Spring F310110	53, 55
Door Locking Linkage Pin F431231	53, 55
Door Mount F150271	51
Door Release Solenoid F300128P	55
Door Spacer F0150273-00	49
Door Switch F340200	53
Door Warning Label 81968	11
Drain Connector Tee F8017101	43

Drain Hose F150356	41
F200123400	43
F200123500	43
F200185200	43
F200185300	43
Drain Motor F380943P	37, 39
Drain Pump F270119P	47
Drain Tee F150398	43
Drain Valve F038062800	39
F038062900	39
803293	37
Drain Valve Assembly F602920	37
F603175	37
Drain Valve Cover F200133600	37, 39
Drain Valve Kit F200166300	39
F200166302	39
F200166400	39
F200166402	39
Drain Valve Motor F380932P	37, 39
F380933P	37, 39
F380972P	37, 39
Drain Valve Motor and Gear Box Assembly G159764P	37, 39

E

Elbow 70079601	83
Electrical Panel Sub-Assembly F0606950-02	17
Element F360205P	85
E-Ring Retainer F310205	53, 55
Excluder Seal F8336801	65
F8336901	65
F8337001	65
F8337101	65
Extension Spring F310124	75, 81
External Supply Connection Decal F231376-1	31
F231376-2	31
F231376-5	31
F231376-6	31
External Supply Fuse Decal F231271	31

F

Female Pin Terminal 00430	27, 29
------------------------------------	--------

N/A items do not appear in index.

Fill Hose	
F150372	43
Filter	
F270305	35
F270306P	35
Filter Housing Cap Gasket	
F270407	35
Flange Relay	
F330227	17, 19
F330230	17, 19, 21
Frame Assembly	
F0637645-00	67
F606178	67
F607003	67
F607005	67
F630232	67
Frame Weldment	
F0636108-00	67
F200195300	67
Front Drain Hose	
F0200240-00	43
F150312	43
F8035801	43
Front Panel	
F634666-2	57
F634682-2	59
F634836-1P	59
F634836-2	59
F8200301P	59
F8200302P	57
F8200401P	59
F8200402P	57
F8200501P	59
F8200502P	57
F8200601P	59
F8200602P	57
Fuse	
F350108	19, 21
F350109	17, 19, 21
F350110	17, 19, 21
F350115	31
F350125	19
Fuse Holder	
F0350312-10	31
Fuse Holder Bracket	
F633512	31

G

Gravity Drain Valve	
803292	37
Grommet	
F170615	31
F200139500	31
Ground Decal	
F230630	11
F230739	11
Ground Terminal Lug	
F140734	31

H

Heating Element	
F0360210-00	85
F360206P	85
Heating Element Plug	
F360202	83, 85
Hose	
F609748-5	47
Hose Clamp	
F200204	45, 47
F200213	41, 43, 45, 47
F200215	39, 41, 43, 45
F200217	47
F200222	41, 43
36801	31

I

Injection Nozzle	
F8322001	33
Injection Nozzle Kit	
F730168	33
Input Block	
F0140795-00	31
F0140798-00P	31
F0140799-00	31
Input Harness Kit	
F141871P	17
Input Power Block	
F140746	31
F140747	31
F140748	31
Input Power Connection Box Cover	
F602533	31
Input Terminal Block	
F140755	31
Interlock Contactor	
F330186P	23

K

Key	
F160420	25
F160421	25
F160423	25
F430801	73, 79
F430802	75, 81
70155603	61
Keypad	
F370576P	13

L

L-Catch Kit	
F746808	53, 55
Left Side Panel	
F0636136-00P	63
F0636595-00P	63
F8155601P	63

N/A items do not appear in index.

F8155901P	63
F8156701	63
F8157401P	63
F8159901	63
F8160101P	63
Lid Clamp Assembly	
F630430	61
Lid Lock Pin	
F0190808-00P	61
Liquid Supply Decal	
F230877	11

M

Magnet	
F8390801	51
Magnetic Switch	
F0340723-00	51
Magnetic Switch Assembly	
F200321200	51
Male Connector	
F140571	27, 29
Membrane Switch	
F340606P	13
F340608P	13
F340614P	13
F340615P	15
Microcomputer	
F370313-30P	13
F370313-40P	15
Module Box Assembly	
F200100100	21
F200100101	21
Module Box Cover	
F0637179-00	17
Momentary Switch	
F200120100	13
F340412	13
Motor	
F022012800P	75
F220352	75
F220354P	81
F220389P	75
F8329301P	75
F832940P	75
F8329501P	75
F8329601P	75
F8329701P	75
F8329801P	75
F8329901P	75
F8330001P	81
F8330201P	81
F8330301P	81
F8330401P	81
Motor Bearing	
F100109P	69
F100124	81
Motor Conversion Kit	
F8353501P	75
F8411501	75
Motor Drip Shield	
F200216900	75, 81
F200280700	81

Motor Pulley	
F280281	77
Motor Retrofit Kit	
F0798912-00	81
Motor Support Bushing	
F200186100	75, 81
Motor Support Rod	
F602844	75
F603059	75, 81
F603897	81
Motor Switch	
F340002	21

N

Nipple	
F420708	83
Nut	
F430211	17, 19
F430215	19, 41, 43, 45, 47, 51, 67, 83
F430217	47
F430218	67
F430225	53, 55
F430231	33, 53, 85
F430232	13, 45, 49, 53, 55
F430233	57, 59, 63
F430239	69
F430240	69, 71
F430243	27, 29
F430264	51, 53, 55, 57, 59
F431017	53, 55
F431022	13, 15, 17, 31, 49
F431024	61, 63
F431041	49
802292	33

O

Optic Switch Kit	
F775801-03P	27, 29
O-Ring	
F170208	33
Output Board CCA	
F370449P	17
F370450P	17
Output Board VCMP Assembly	
F8206501P	19
F8206502P	19, 21
Output CCA	
F037044860-2	19, 21
Overflow Hose	
F0200238-00	43
F150317	43
F150332	41, 43
F150417	43
F200125800	43
Overflow Plug	
F150352	39, 45, 47
Overload Contactor	
F8176101P	23
F8344001P	23

N/A items do not appear in index.

P

Personal Injury Warning Decal	
F231065	11
Pipe	
F603827-1	47
Pipe Insulation	
F410300	83
Pipe Nipple	
70214101	83
70435601	83
Plug	
F150443	45, 47
F200202600	83
Pop Rivet	
F431215	27, 29
Pressfit Upgrade Kit	
F935P3	65
F936P3	65
F938P3	65
F939P3	65
F942P3	65
Pressure Switch	
F8134602P	17, 19, 21
Pulley	
F280105P	81
F280168	73
F280173	79
F280197	79
F280284	77
F280416	77
F280422P	81
F280423	77
F280427P	77
Pulley Bushing	
F280298P	77
Pump	
F200000900P	47
F270104P	47
F634463P	45
Pump Drain Outlet Hose	
F150482	45
Pump Drain Rear Connecting Bracket	
F604147	45, 47
Pump Drain Trap Assembly	
F630326P	47
Pump Drain Trap Mounting Bracket	
F609694	47
Pump Drain Trap Weldment	
F633819	45
Pump Inlet Hose	
F634177	45
Pump Mounting Bracket	
F634114	45
Push Red Button Decal	
F230661	49
Pushbutton Rod	
F320300	49

R

Ratchet Fastener	
F0432316-00	21
RC Network Filter	
F330217P	17
Rear Drain Hose	
F0200239-00	43
F150311	43, 45
Rear Panel	
F0636220-00P	63
F0636321-00P	63
F200022900P	63
Rear Panel Kit	
F757000	63
F757001	63
F757002	63
Rear Pump Drain Hose	
F150343	45, 47
Red Dot Decal	
F230662	49
Reducer Bushing	
F421936	83, 85
Remove Door Lock Tag	
F230528	11
Replacement Filter	
F270405	35
F270406	35
Resistor	
F370116	31
F370117	31
Retaining Ring	
F8337801	71
F8337901	71
F8344901	69
F8345001	69
Ribbon Cable	
F140216P	17
F140247	19, 21
Right Side Panel	
F0636135-00P	63
F0636594-00P	63
F8155501P	63
F8155701P	63
F8156601	63
F8157301P	63
F8160001	63
F8160301P	63
Rocker Switch	
F340411	13
Rod	
F602813-2	51
F602813-3	51

S

Screw	
F0430165-00	21
F0430268-00	33
F430100	73, 79
F430103	41, 43
F430107	19, 45, 47, 63
F430108	19, 73, 79, 83

N/A items do not appear in index.

F430115	83	F0636460-00	67
F430137	57	F0636555-00	67
F430173	13	F063659201	67
F430174	31, 57, 59, 61, 63	F0636601-00	83, 85
F430177	21, 33	F0636700-00	83, 85
F430179	45	F0636704-00	83, 85
F430518	67	F0636747-00	83, 85
F430519	47	F0637054-00	83, 85
F430532	49	F0637659-00	67
F430533	49	F0637661-00	83, 85
F430536	51	F200195402	67
F430903	31	F200199700	83, 85
F430910	47	F8196202	83, 85
F430916	17, 31, 51, 85	F8196204	83, 85
F430917	17, 19		
F430925	63	Side Panel	
F430927	73	F0635981-00P	63
F430928	17	F0635982-00P	63
F430942	67	F0636299-00	63
F430948	31	F0636300-00P	63
F430949	67	F0636515-00P	63
F430956	33, 53, 55, 57, 59	F0636516-00P	63
F430977	53, 55	F0637628-00P	63
F430982	53, 55	F0637630-00P	63
F430987	67	Siphon Tube	
F8535601	49	F150390	33
M400056	63	Snap Bushing	
201415	19	F140938	31
Shaft Seal		Solenoid	
F100208	69	F300124P	53
Shaft Seal Sleeve		Spacer	
F8312001P	65	F401206	13, 15
F8312002P	65	F431901	53, 55
F8312003P	65	Spin Rotation Decal	
F8312004P	65	F230914	11, 49
F8312005P	65	Spring	
F8312006P	65	F8504601	37
F8312008P	65	F8504701	39
F8343914	65	Spring Pin	
Shaft Seal Sleeve Kit		F431222	49
F8343901P	65	Standoff	
F8343904P	65	F180501	19, 21
F8343906P	65	F180506	31
F8343909P	65	Steam Bracket Assembly	
Sheave		F601186	83
F0280385-00	81	Steam Hose	
H87520334	77	F200153P	83
Sheave Kit		F200154	83
F280287P	81	Steam Injector Tube Assembly	
Sheave Pulley		F603131	83
F280170	77	Strainer	
F280172	73	F270200	33
Shell Band Kit		Supply Dispenser Assembly	
F741701	67	F200202201	33
F741702	67	Supply Dispenser Baffle	
F8537801	67	F150419	41, 43
Shell Front Assembly		Supply Dispenser Bezel	
F0636283-00P	67	F0150503-00	33
F632006P	67	Supply Dispenser Hose	
Shell Front Gasket Kit		F0200236-01	43
F792000	67	F8061601	43
Shell Front Kit		F8071701	41, 43
F741300P	67	Supply Dispenser Lid	
F741302-01	67	F200270500	61
Shell Weldment		Supply Dispenser Standoff	
F063597402P	67	F0150504-00	33
F0636388-00	67		

N/A items do not appear in index.

Supply Dispenser Sub-Assembly F602374	33
Switch Clamp F0340722-00	21
Switch Plate Decal F230840	13
Switch Plate Sub-Assembly F633098	13

T

Temperature Probe F370606P	83, 85
Template F450127	87
Terminal F140766	31
Terminal Block M413865	31
Terminal Strip F140738	17
Terminal Strip Insulator Decal F140912	17
F140913	17
F140914	17
F140915	17
F140916	17
Timer F0330404-00P	21
Top Cover Assembly F063618900P	61
F063632700	61
F063652000P	61
F063659800P	61
F063664000P	61
F063771200P	61
Transformer C000203	47
F360117P	19
F360156P	47
Transformer Mounting Bracket F200167700	19, 47
Trim F015050100P	51
Triple Lip Seal F8203801	69
F8203802	69, 71
F8203803	71
F8203805	71
F8203806	71
Trunnion Kit F747001	69
F747002	69, 71
F747003	71
F747004	71
F747005	71
Tubing F606192-5	47

U

U-Bolt Clamp F200401P	45, 47
--------------------------------	--------

N/A items do not appear in index.

V

Vacuum Breaker Assembly F603031	33
Vacuum Breaker Bottom F015033000	33
Vacuum Breaker Fill Hose F0150340-01	41, 43
Vacuum Breaker Hose F0200244-00	31
F0200244-01	31
F150321	43
F150340	41, 43
Vacuum Breaker Top F0150329-00	33
Valve F8322801P	83
F8322802	83
Valve Kit F8379501	83
Valve Panel Assembly F0636138-00	63
F0636138-01	63
F0636297-00	63
F0636297-01	63
F0636521-00	63
F0636524-01	63
Valve Panel Sub-Assembly F0636524-03	63
Valve, 3-Way F0381736-00P	33
F0381737-00P	33
F0381738-00P	33
F0381750-00P	33
F0381765-00P	33
F0381766-00P	33
F0381769-00P	33

W

Washer F0430348-00	63
F0431159-00	73
F430303	67
F430311	21
F430317	41, 43, 45, 67, 83
F431100	17, 19, 53, 55
F431106	13
F431108	19
F431113	13, 15, 17, 31, 49
F431115	79
F431123	53, 55
F431128	67, 69
F431131	67, 69, 71
F431147	53, 55, 61
F431902	53, 55
F431916	49
M400081	67
M405535	57, 59, 63
20290	35
803615	35
901690	47, 75, 81
Water Hose F200108P	31

F200116	35
F200164	35
F200165	35
F200166	35
Water Level Switch	
F0340343-10P	17, 19, 21
F0340345-10P	17, 19, 21
Water Level Switch Bracket	
F631920	19

Y

Y Connector	
F422808	33
