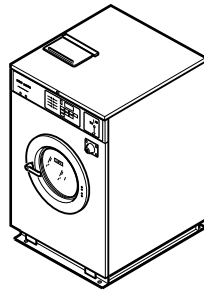


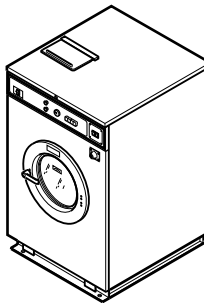
Washer-Extractor

Cabinet Hardmount

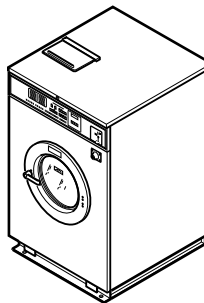
2 Speed Electronic Control, Mechanical Timer
and P, S, or V Computer Models
Refer to Page 5 for Model Numbers



Electronic Control



Mechanical Timer



P, S or V Computer

CHM1780C_F232173

Table of Contents

Title	Page
Parts Ordering Information.....	4
Serial Plate Location	4
Model Identification	5
Product Overview for A and B-Control.....	6
Product Overview for NetMaster, Mechanical Timer and P, S and V-Computer	8
Decals	10
Control Module - Terminal Strip Style (Drawing 1 of 2).....	12
Control Module - Terminal Strip Style (Drawing 2 of 2).....	14
Control Module - Wiring Harness Style.....	16
Control Module - EC, EP, EX, NC, NP, NR and NX Models (Drawing 1 of 2)	18
Control Module - EC, EP, EX, NC, NP, NR and NX Models (Drawing 2 of 2)	20
Control Module - PC, PN and SN Models	22
Control Module - VC and VN Models.....	24
Contactors - PC, PN, SN, VC and VN Models.....	26
Display Coin Meter Assembly - MC, MD and MX Models; Single Drop (Drawing 1 of 2)	28
Display Coin Meter Assembly - MC, MD and MX Models; Single Drop (Drawing 2 of 2)	30
Display Coin Meter Assembly - MC, MD and MX Models; Dual Drop (Drawing 1 of 2).....	32
Display Coin Meter Assembly - MC, MD and MX Models; Dual Drop (Drawing 2 of 2).....	34
W2000 Coin Meter Assembly - EC, EP and VC Models; Single Drop	36
W2000 Coin Meter Assembly - MC, MD and MX Models; Single Drop	38
W2000 Coin Meter Assembly - MC, MD and MX Models; Dual Drop.....	40
W2000 Coin Meter Assembly - EC, EP and VC Models; Dual Drop.....	42
W2000 Coin Meter Assembly - PC Models.....	44
Flush Mount Coin Meter Assembly - Single Drop NC and NX Models	46
Flush Mount Coin Meter Assembly - Dual Drop NC and NX Models	48
Electronic Coin Meter Assembly - NC and NX Models	50
Coin Box - MC, MD, MH, MV, MX, PC and VC Models (Optional)	52
Vertical Eight Coin Meter Adapter Kit - MC, MD, MH, MV and MX Models Through 3/1/92.....	54
Vertical Eight Coin Meter Adapter Kit - MC, MD, MH, MV and MX Models Starting 3/1/92.....	56
Network Controls and Card Reader - NC, NP, NR and NX Models.....	58
Card Reader - EP, NP and NR Models.....	60
Card Reader Kit - EP, NP and NR Models	62
Oversuds Protection Kit - EC, EP, EX, NC, NP, NR and NX Models.....	64
Graphic Panel and Controls - For Newer MC, MD, MH, MN, MV and MX Models without Extrusion.....	66
Graphic Panel and Controls - For Older MC, MD, MH, MN, MV and MX Models with Extrusion (Drawing 1 of 2).....	68
Graphic Panel and Controls - For Older MC, MD, MH, MN, MV and MX Models with Extrusion (Drawing 2 of 2).....	70
Graphic Panel and Controls - PN, SN and VN Models	72
Graphic Panel and Controls - PC and VC Models	74
Control Panels - EC, EP, EX, NC, NP, NR and NX Models with Bezel Inner Front.....	76
Front Panels and Control Panels - EC and EP Models with Stainless Steel Inner Front.....	78
Switch Assembly - MC, MD, MH, MN, MV and MX Models	80

© Copyright 2020, Alliance Laundry Systems LLC

All rights reserved. No part of the contents of this book may be reproduced or transmitted in any form or by any means without the expressed written consent of the publisher.

Inner Front Panel Kit Replacements - MN Models Starting 8/2/99	82
Inner Front Panel Kit Replacements - MC, MD, MH, MV and MX Models Starting 8/2/99	84
Inner Front Panel Kit Replacements - PC and VC Models	86
Inner Front Panel Kit Replacements - PN, SN and VN Models	88
Control Panels - EC, EP, EX, NC, NP, NR and NX Models with Bezel Inner Front.....	90
Front Panels - EC, EP, EX, NC, NP, NR and NX Models with Bezel Inner Front.....	92
Panels - MC, MD, MH, MN, MV, MX, PC, PN, SN, VC and VN Models (Drawing 1 of 2).....	94
Panels - MC, MD, MH, MN, MV, MX, PC, PN, SN, VC and VN Models (Drawing 2 of 2).....	96
Panels - EC, EP, EX, NC, NP, NR and NX Models (Drawing 1 of 2).....	98
Panels - EC, EP, EX, NC, NP, NR and NX Models (Drawing 2 of 2).....	100
Outer Front Panel - 18, 25 and 27 Pound Capacity	102
Outer Front Panel - 35 and 50 Pound Capacity	104
Door and Outer Front Panel (Drawing 1 of 2)	106
Door and Outer Front Panel (Drawing 2 of 2)	108
Door Lock - MC, MD, MH, MV and MX Models Through 12/96 - PC and VC Models	110
Door Lock - MN and PN Models Through 4/21/02	112
Door Lock - MC, MD, MH, MV and MX Models Starting 1/97 - PC and VC Models	114
Door Lock - EC, EP, EX, NC, NP, NR and NX Models	116
Door Lock - MN, PN, SN and VN Models Starting 4/22/02	118
Shell Front and Basket - 18, 25 and 27 Pound Models	120
Shell Front and Basket - 35 and 50 Pound Models	122
Trunnion Assembly	124
Outer Shell and Frame	126
Dispenser - MC, MD, MH, MN, MV, MX, PC, PN, SN, VC and VN Models	128
Supply Dispenser Assembly with Mueller Valve - MC, MD, MH, MN, MV, MX, PC, PN, SN, VC and VN Models	130
Supply Dispenser Assembly with Mueller Valve - EC, EP, EX, NC, NP, NR and NX Models	132
3-Way Mixing Valve - Mueller	134
Supply Dispenser Assembly with Elbi Valve - MC, MD, MH, MN, MV, MX, PC, PN, SN, VC and VN Models	136
Supply Dispenser Assembly with Elbi Valves - EC, EP, EX, NC, NP, NR and NX Models	138
Automatic Supply Dispenser - MC, MD, MH, MN, MV, MX, PC, PN, SN, VC and VN Models	140
Drain Assembly, Hoses and Air Trap - All Models Except HC27, NC27, SC27 and UC27 Models	142
Drain Valve Assembly, Hoses and Air Trap - HC27, NC27, SC27 and UC27 Models.....	144
Drain Valve Assembly, Hoses and Air Trap - HC50, NC50, SC50 and UC50 Models with Heat Shell.....	146
Drain Valve Assembly - 18, 25, 27 and 35 Pound Capacity	148
Drain Valve Assembly - 50 Pound Capacity	150
Drain Valve - EC, EP, EX, NC, NP, NR and NX Models.....	152
Pump Drain Option - HC27, NC27, SC27 and UC27 E-Voltage Models	154
Pump Drain Option - All Models Except HC27, NC27, SC27 and UC27 E-Voltage Models.....	156
Filter (Optional)	158
Pulley and Belt Assembly - 18, 25 and 27 Pound Models	160
Motor - 18 Pound Models.....	162
Motor - 25 and 27 Pound Models.....	164
Capacitor and Motor Pulley - 18, 25 and 27 Pound Models	166
Capacitor and Pulley - 35 and 50 Pound Models.....	168
Motor and Motor Pulley - 35 and 50 Pound Models.....	170
Electric Heat Assembly - MC, MD, MH, MN, MV and MX Models	172
Electric Heat Option - PC, PN, SN, VC and VN Models (Drawing 1 of 2).....	174
Electric Heat Option - PC, PN, SN, VC and VN Models (Drawing 2 of 2).....	176
Steam Heat Assembly - MC, MD, MH, MN, MV and MX Models.....	178
Steam Heat Option - PC, PN, SN, VC and VN Models.....	180

Special Tools	182
Parts Index.....	185

Parts Ordering Information

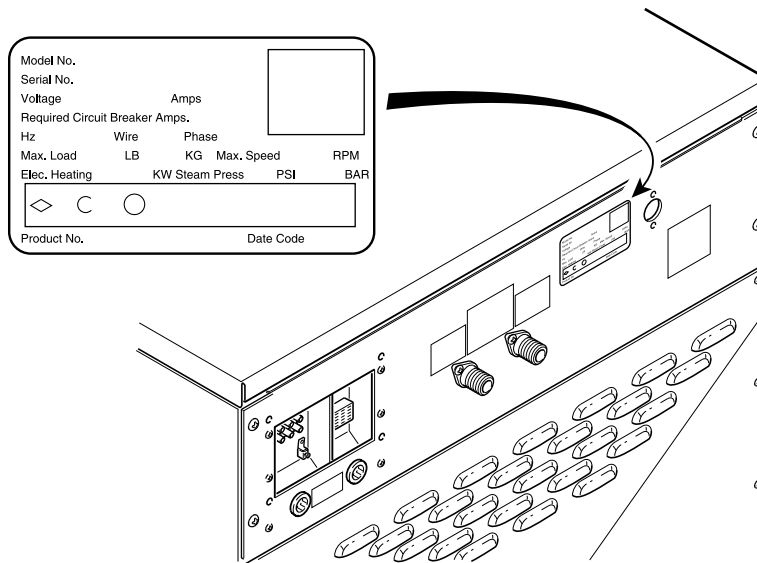
If literature or replacement parts are required, contact the source from whom the machine was purchased or contact Alliance Laundry Systems at (920) 748-3950 for the name and address of the nearest authorized parts distributor.

For technical assistance, call the number listed below:

(920) 748-3121 Ripon, Wisconsin

Serial Plate Location

When calling or writing about your product, be sure to mention model and serial numbers. Model and serial numbers are located on serial plate(s) as shown.



CHM2454P_F232173

Model Identification

Information in this manual is applicable to these washer-extractor models:

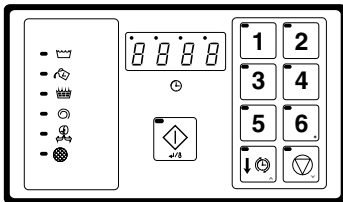
DC25NC2	HC35EC2	SC25EC2	SC50EC2	UC27MC2
HC18EC2	HC35MC2	SC25EP2	SC50EP2	UC27MD2
HC18MC2	HC35MD2	SC25MC2	SC50MC2	UC27MH2
HC18MD2	HC35MH2	SC25MD2	SC50MD2	UC27MN2
HC18MH2	HC35MN2	SC25MH2	SC50MH2	UC27MV2
HC18MN2	HC35MV2	SC25MN2	SC50MN2	UC27MX2
HC18MV2	HC35MX2	SC25MV2	SC50MV2	UC27PC2
HC18MX2	HC35NC2	SC25MX2	SC50MX2	UC27PN2
HC18NC2	HC35NP2	SC25NC2	SC50NC2	UC27VN2
HC18NP2	HC35PC2	SC25NP2	SC50NP2	UC35MC2
HC18PC2	HC35SN2	SC25NR2	SC50NR2	UC35MD2
HC18SN2	HC35VC2	SC25NX2	SC50NX2	UC35MH2
HC18VC2	HC50EC2	SC25SN2	SC50SN2	UC35MN2
HC25EC2	HC50MC2	SC25VN2	SC50VN2	UC35MV2
HC25MC2	HC50MD2	SC27EC2	UC18MC2	UC35PC2
HC25MD2	HC50MH2	SC27EP2	UC18MD2	UC35PN2
HC25MH2	HC50MN2	SC27MC2	UC18MH2	UC35VN2
HC25MN2	HC50MV2	SC27MD2	UC18MN2	UC50MC2
HC25MV2	HC50MX2	SC27MH2	UC18MV2	UC50MD2
HC25MX2	HC50NC2	SC27MN2	UC18MX2	UC50MH2
HC25NC2	HC50NP2	SC27MV2	UC18PC2	UC50MN2
HC25NP2	HC50PC2	SC27MX2	UC18PN2	UC50MV2
HC25PC2	HC50SN2	SC27NC2	UC18VN2	UC50MX2
HC25SN2	HC50VC2	SC27NP2	UC25MC2	UC50PC2
HC25VC2	NC18NP2	SC27NR2	UC25MD2	UC50PN2
HC27MC2	NC27NP2	SC27NX2	UC25MH2	UC50VN2
HC27MD2	NC50NP2	SC27SN2	UC25MN2	
HC27MH2	SC18EC2	SC27VN2	UC25MV2	
HC27MN2	SC18EP2	SC35EC2	UC25MX2	
HC27MV2	SC18EX2	SC35EP2	UC25PC2	
HC27MX2	SC18MC2	SC35MC2	UC25PN2	
HC27NC2	SC18MD2	SC35MD2	UC25VN2	
HC27NP2	SC18MH2	SC35MH2		
HC27PC2	SC18MN2	SC35MN2		
HC27SN2	SC18MV2	SC35MV2		
HC27VC2	SC18MX2	SC35MX2		
	SC18NC2	SC35NC2		
	SC18NP2	SC35NP2		
	SC18NR2	SC35NR2		
	SC18NX2	SC35NX2		
	SC18SN2	SC35SN2		
	SC18VN2	SC35VN2		

NOTE: This manual applies to models of Design 1-4

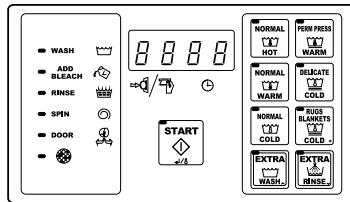
Product Overview for A and B-Control

Model No. *C40AC20U60001
 Serial No. 00000000000
 Voltage 208 – 240 Amps 7
 Required Circuit Breaker Amps 15
 Hz 60 Wire 3 Phase 3
 Max. Load 40 LB 18.2 KG Max. Speed 470 RPM
 Elec. Heating N/A KW Steam Press. N/A PSI 0 BAR
 Drawing:

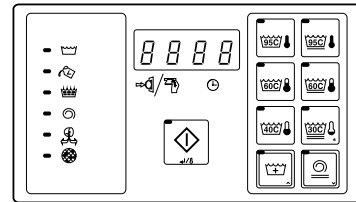
ETL LISTED
 CONFORMS TO
 ANSUL STD. 1555
 ANSUL STD. 1206
 ETL TESTING LABORATORIES, INC.
 CORTLAND, NEW YORK 13045



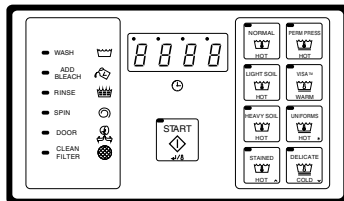
A-Control OPL



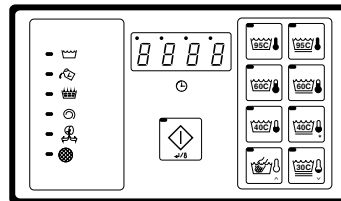
A-Control Coin (Domestic)



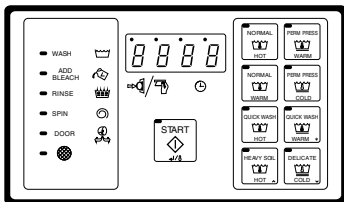
A-Control Coin (International)



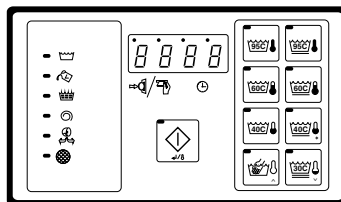
B-Control OPL (Domestic)



B-Control OPL (International)



B-Control Coin (Domestic)



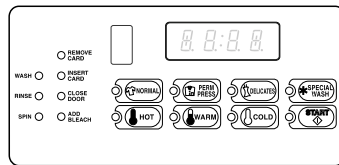
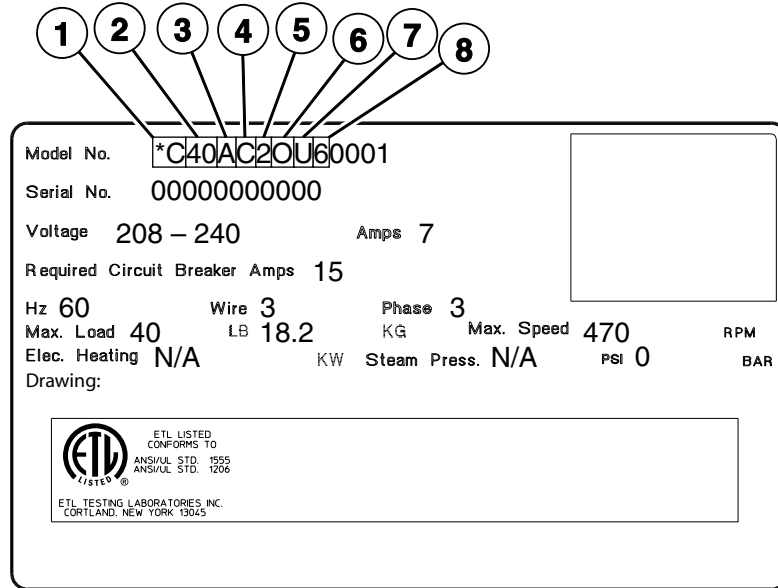
B-Control Coin (International)

CHM2976P_F232173

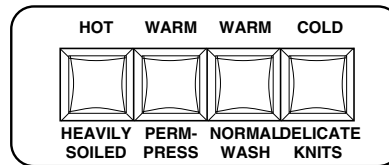
Product Overview for A and B-Control

REF	PART NO.	DESCRIPTION	COMMENTS
1	-	Product Family	DC HC NC SC UC
2	-	Capacity (Pounds)	18 20 25 27 30 35 40 50 60 80 100 125
3	-	Control	A (A-Control) B (B-Control)
4	-	Actuation	C (Drop Coin Meter) D (Digital Coin Meter) L (Prep for Remote/Central Pay) N (Non-Coin - OPL) R (Cardmate Plus II) X (Prep for Coin Meter) Y (Prep for Card Reader)
5	-	Speed	2 (2-Speed) 3 (3-Speed) F (F-Speed) V (Variable Speed)
6	-	Voltage	A (208-240/60/3/4) B (120/60/1/2) C (380-415/50/3/4) D (220-240/50/3/3) E (220-240/50/1/2) F (440-480/60/3/3) J (220/50/3/3) N (440-480/50-60/3/3) O (200-240/60/3/3) P (380-415/50-60/3/3) Q (200-240/50-60/3/3) X (200-240/50-60/1/3) Y (208-240/60/1/2)
7	-	Side Panel	N (Network Board Installed) P (Network Adaptable) U (Standard Specs) 1 (Stainless Steel) 2 (Network Board Installed with Stainless Sides) 3 (Network Adaptable with Stainless Sides)
8	-	Design	1-4 and 6

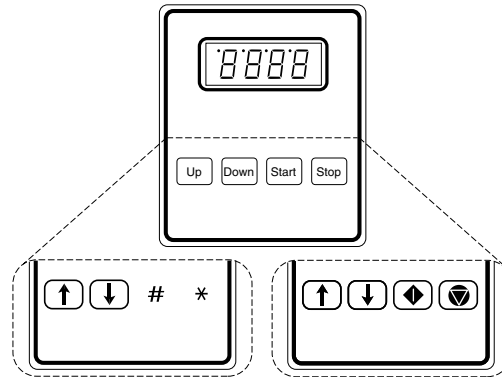
Product Overview for NetMaster, Mechanical Timer and P, S and V-Computer



NetMaster



Mechanical Timer



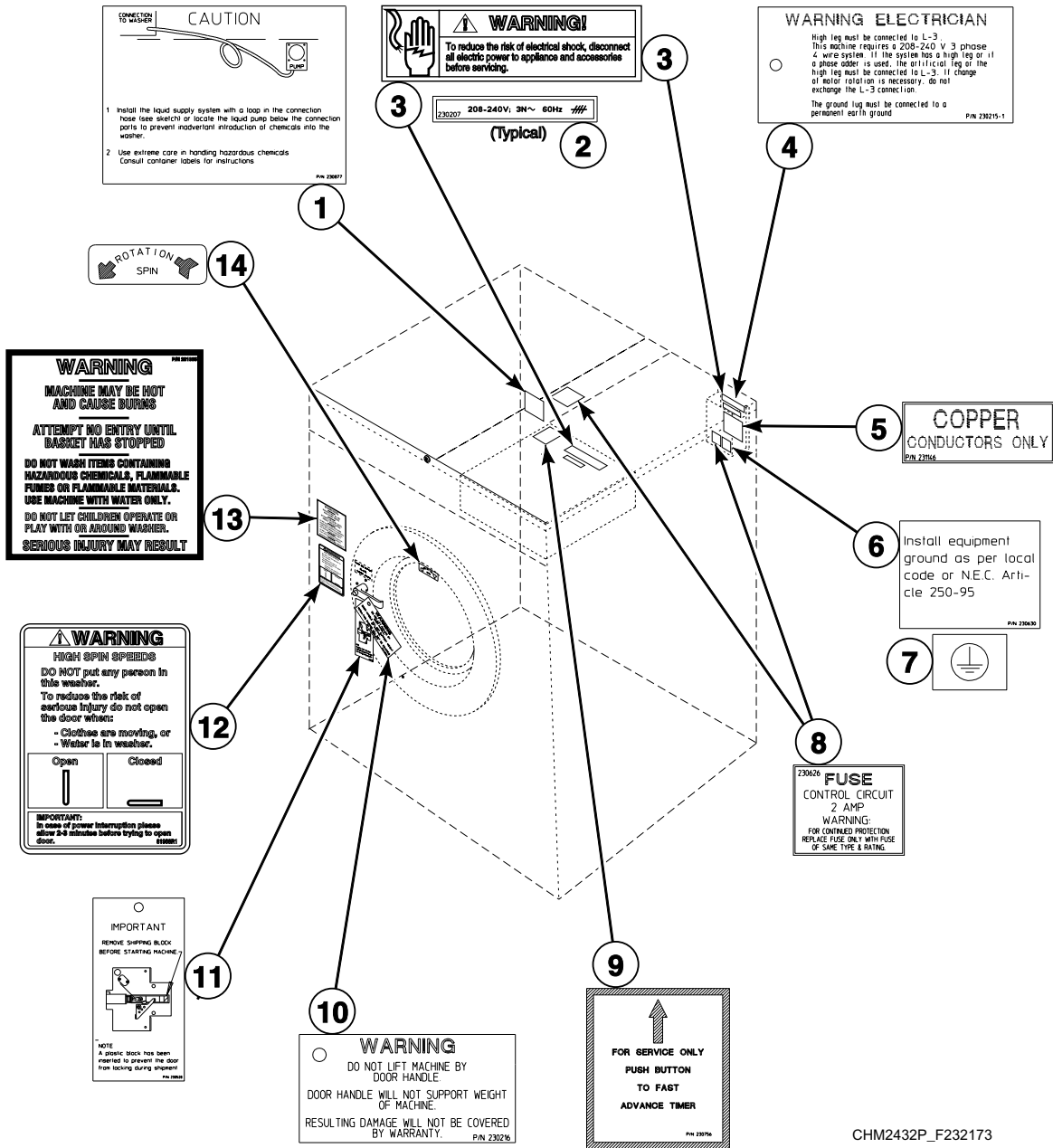
P, S and V-Computer

CHM2977P_F232173

Product Overview for NetMaster, Mechanical Timer and P, S and V-Computer

REF	PART NO.	DESCRIPTION	COMMENTS
1	-	Product Family	DC HC NC SC UC
2	-	Capacity (Pounds)	18 20 25 27 30 35 40 50 60 80 100 125
3	-	Control	M (Mechanical Timer) N (NetMaster) P (P-Computer) S (S-Computer) V (V-Computer)
4	-	Actuation	C (Drop Coin Meter) D (Digital Coin Meter) L (Prep for Remote/Central Pay) N (Non-Coin - OPL) R (Cardmate Plus II) X (Prep for Coin Meter) Y (Prep for Card Reader)
5	-	Speed	2 (2-Speed) 3 (3-Speed) F (F-Speed) V (Variable Speed)
6	-	Voltage	A (208-240/60/3/4) B (120/60/1/2) C (380-415/50/3/4) D (220-240/50/3/3) E (220-240/50/1/2) F (440-480/60/3/3) J (220/50/3/3) N (440-480/50-60/3/3) O (200-240/60/3/3) P (380-415/50-60/3/3) Q (200-240/50-60/3/3) X (200-240/50-60/1/3) Y (208-240/60/1/2)
7	-	Side Panel	N (Network Board Installed) P (Network Adaptable) U (Standard Specs) 1 (Stainless Steel) 2 (Network Board Installed with Stainless Sides) 3 (Network Adaptable with Stainless Sides)
8	-	Design	1-4 and 6

Decals



CHM2432P_F232173

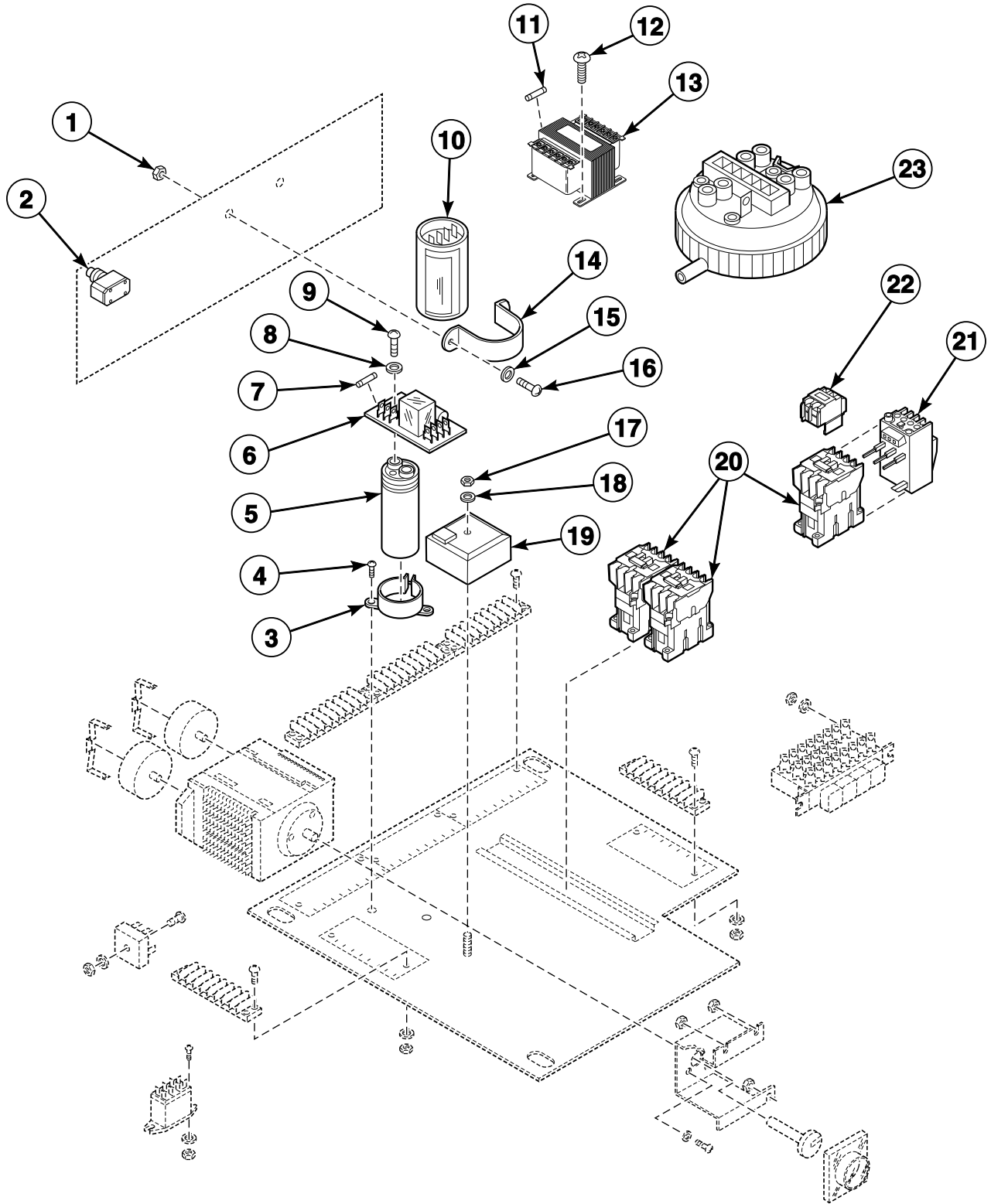
Decals

REF	PART NO.	DESCRIPTION	COMMENTS
1	F230877	Liquid Supply Decal	OPL models
2	N/A	Voltage Decal	
3	D505281	Disconnect Power Warning Label	
4	N/A	Voltage Warning Decal	
5	F231146	Conductor Decal	
6	F230630	Ground Decal	
7	F230739	Ground Decal	
8	N/A	Fuse Decal	
9	F230756	Manual Fast Advance Decal	Coin models
10	F230216	Do Not Lift Decal	
11	F230528	Remove Door Lock Tag	OPL models
12	81968	Door Warning Label	
13	F231065	Personal Injury Warning Decal	
14	F230693	Counterclockwise Spin Rotation Decal	

N/A = Part no longer available

Control Module - Terminal Strip Style (Drawing 1 of 2)

MC, MD, MH, MN, MV and MX Models



CHM3139P_F232173

Control Module - Terminal Strip Style (Drawing 1 of 2)

REF	PART NO.	DESCRIPTION	COMMENTS
1	F430231	Nut	1 Phase
2	F340403P	Switch	Pushbutton; Round hole; Coin models
	F340430	Switch	Rocker; Rectangular hole; Coin models
3	F140612P	Capacitor Mounting Clamp	Coin models
4	F430917	Screw	Coin models
5	F370225P	Capacitor	Coin models
6	F370426-1P	Door Lock Relay CCA	120 Volt; Coin models
	F370430-2P	Door Lock Relay CCA	220 Volt; Coin models
	F370426-2P	Door Lock Relay CCA	220 Volt; OPL models
7	F350110	Fuse	Coin models
8	F431108	Washer	
9	201415	Screw	
10	F340002	Motor Switch	1 Phase
11	F350125	Fuse	1 Amp
12	N/A	Screw	
13	F360117P	Transformer	
14	F340704	Motor Switch Bracket	1 Phase
15	F430311	Washer	1 Phase
16	F430916	Screw	1 Phase
17	F430211	Nut	
18	F431100	Washer	
19	F200025200P	Door Lock Time Delay	Coin models
20	F330175P	Contactor	120 Volt
	F330177P	Contactor	220 Volt
21	F8344001P	Overload Contactor	HC18, HC25, SC18, SC25, UC18 and UC25 models; 1 Phase
	F8344101P	Overload Contactor	HC27, HC35, SC27, SC35, UC27 and UC35 models; 1 Phase
	F8176101P	Overload Contactor	HC50, SC50 and UC50 models; 1 Phase
22	F330185P	Auxiliary Contactor	
23	F0340343-00P	Water Level Switch	HC18, HC25, HC27, SC18, SC25, SC27, UC18, UC25 and UC27 models
	F0340345-00P	Water Level Switch	HC35, SC35, UC35, HC50, SC50 and UC50 models

N/A = Part no longer available

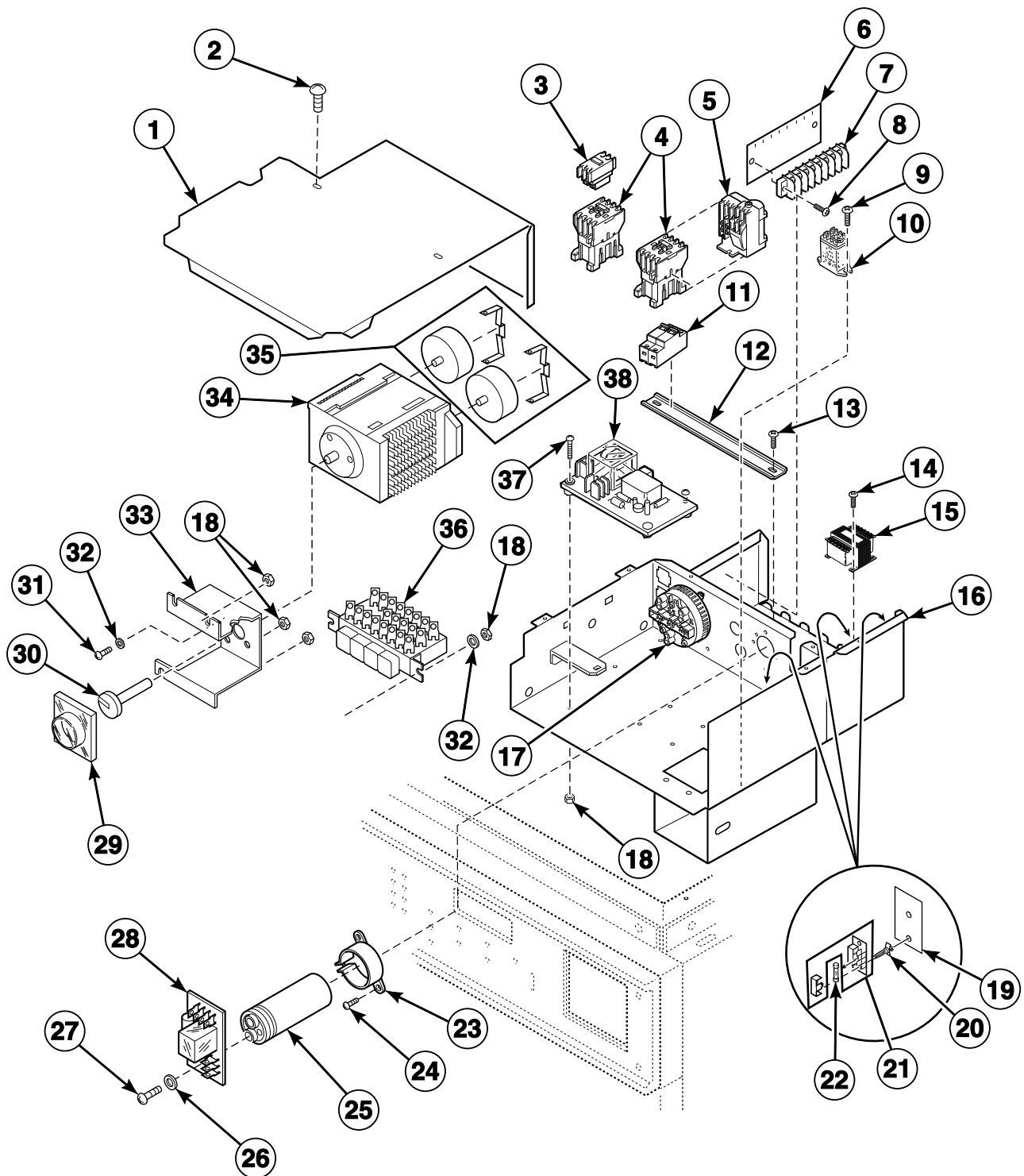
Control Module - Terminal Strip Style (Drawing 2 of 2)

REF	PART NO.	DESCRIPTION	COMMENTS
1	F430916	Screw	
2	F140738	Terminal Strip	
3	F430231	Nut	
4	F431123	Washer	
5	F340442	Cycle Selector Switch	3 terminal rows; Models starting 10/1/97
	F340413	Cycle Selector Switch	4 terminal rows; Models through 9/30/97
6	F140916	Terminal Strip Insulator Decal	Terminal strip 33-40
7	F431113	Washer	
8	F431022	Nut	
9	F150249	Cycle Timer Indicator Cover	
10	F730525	Cycle Timer Indicator Kit	
11	F430948	Screw	
12	F635541	Timer Mounting Bracket	Models starting 8/10/99
	N/A	Timer Mounting Bracket	Models through 8/9/99
13	F607358	Electrical Panel Sub-Assembly	Coin models
	F0607746-01	Electrical Panel Sub-Assembly	OPL models
14	F140912	Terminal Strip Insulator Decal	Terminal strip 1-8
15	F430917	Screw	
16	F330227	Flange Relay	120 Volt
	F330230	Flange Relay	220 Volt
17	F370310	Bridge Rectifier	120 Volt; OPL models
18	N/A	Motor	120 Volt/60 Hertz
	N/A	Motor	220 Volt/50 Hertz
	N/A	Motor	220 Volt/60 Hertz
19	F160301P	Cycle Timer	60 Hertz; 120 Volt; Includes item 19
	F160304P	Cycle Timer	50 Hertz; 220 Volt; Includes item 19
20	F140913	Terminal Strip Insulator Decal	Terminal strip 9-16
21	F140914	Terminal Strip Insulator Decal	Terminal strip 17-24
22	F140915	Terminal Strip Insulator Decal	Terminal strip 25-32

N/A = Part no longer available

Control Module - Wiring Harness Style

MC, MD, MH, MN, MV and MX Models



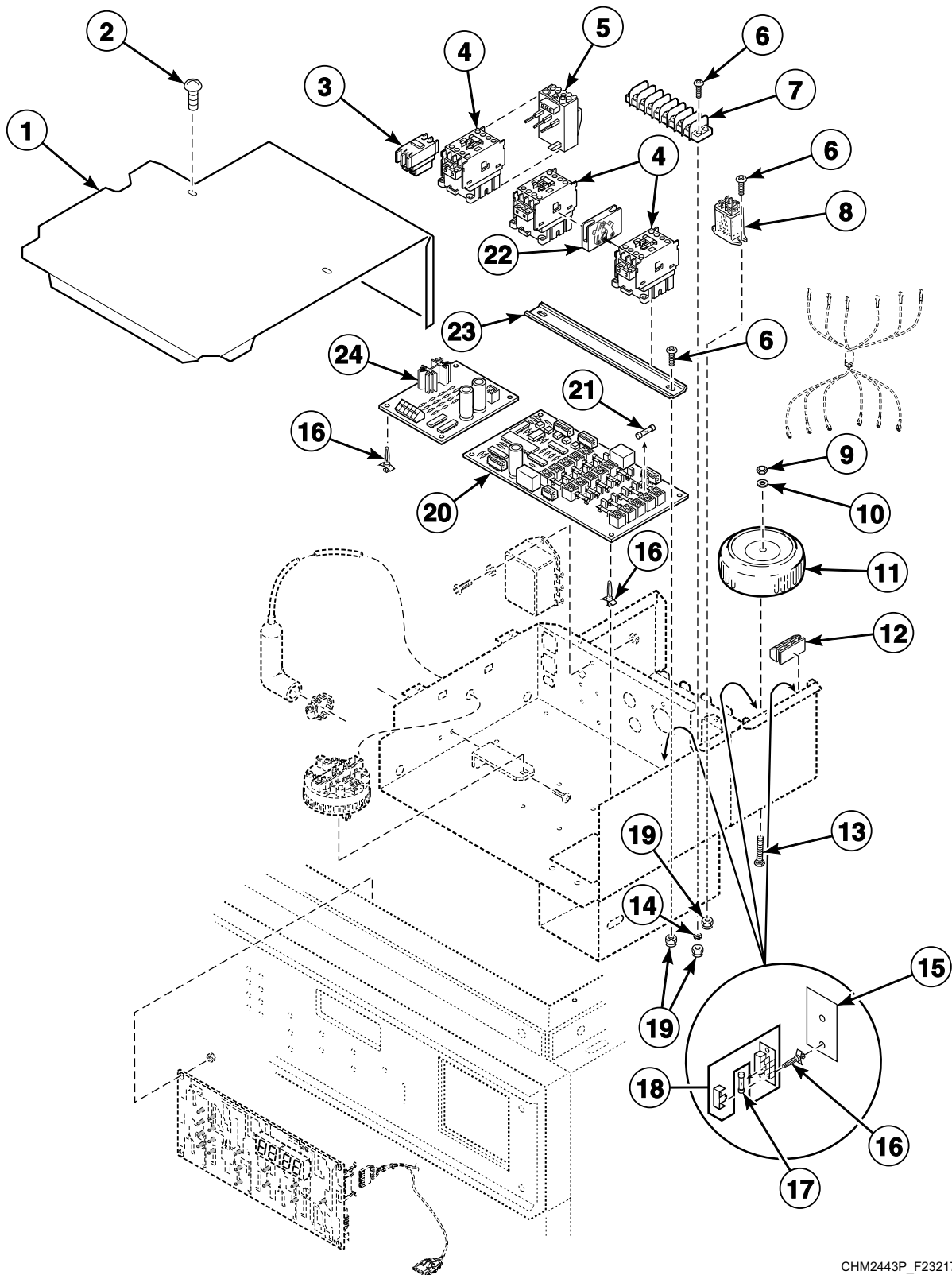
CHM2807P_F232173

Control Module - Wiring Harness Style

REF	PART NO.	DESCRIPTION	COMMENTS
	F141884-1	Harness Assembly	
1	F634175	Control Module Cover	
2	F430174	Screw	
3	F330145P	Auxiliary Contactor	Models through 3/1/00
	F330185P	Auxiliary Contactor	Models starting 3/1/00
4	F330175P	Contactor	
5	F8344001P	Overload Contactor	HC18, HC25, SC18, SC25, UC18 and UC25 models; 1 Phase
	F8344101P	Overload Contactor	HC 27, HC35, SC27, SC35, UC27 and UC35 models; 1 Phase
	F8176101P	Overload Contactor	HC50, SC50 and UC50 models; 1 Phase
6	F140914	Terminal Strip Insulator Decal	Terminal strip 17-24; 1 Phase
7	F140738	Terminal Strip	1 Phase
8	N/A	Screw	1 Phase
9	N/A	Screw	
10	F330227	Flange Relay	120 Volt
11	F350217	Circuit Breaker	F and H-voltage
12	F610083	Contactor Mounting Rail	
13	F430917	Screw	
14	N/A	Screw	
15	F360117P	Transformer	Standard models
	C000203	Transformer	Pump
16	F634236-1	Control Box Assembly	
17	F0340343-00P	Water Level Switch	HC18, HC25, HC27, SC18, SC25, SC27, UC18, UC25 and UC27 models
	F0340345-00P	Water Level Switch	HC35, HC50, SC35, SC50, UC35 and UC50 models
18	F430231	Nut	
19	F231393	Fuse Decal	1 Amp
	F231394	Fuse Decal	2 Amp
	F231354	Fuse Decal	3.15 Amp
20	F180506	Standoff	
21	F0350312-10	Fuse Holder	
22	F350110	Fuse	1 Amp
	F350117	Fuse	2 Amp
	F350141	Fuse	3.15 Amp; Slo blo
23	F140612P	Capacitor Mounting Clamp	
24	F430177	Screw	
25	F370225P	Capacitor	
26	F431108	Washer	
27	201415	Screw	
28	F370430-1P	Door Lock CCA	120 Volt
29	F150249	Cycle Timer Indicator Cover	
30	F730525	Cycle Timer Indicator Kit	
31	F430948	Screw	
32	F431123	Washer	
33	F635541	Timer Mounting Bracket	Models starting 8/10/99
	N/A	Timer Mounting Bracket	Models through 8/9/99
34	F160301P	Cycle Timer	120 Volt
35	N/A	Motor	120 Volt
36	F340442	Cycle Selector Switch	3 row; Models starting 10/1/97
	F340413	Cycle Selector Switch	4 row; Models through 9/30/97
37	F430910	Screw	
38	F370413P	Relay CCA	A, B, F, H, L, O and Y-voltage
	F370440P	Relay CCA	C, D, E and J-voltage

N/A = Part no longer available

Control Module - EC, EP, EX, NC, NP, NR and NX Models (Drawing 1 of 2)

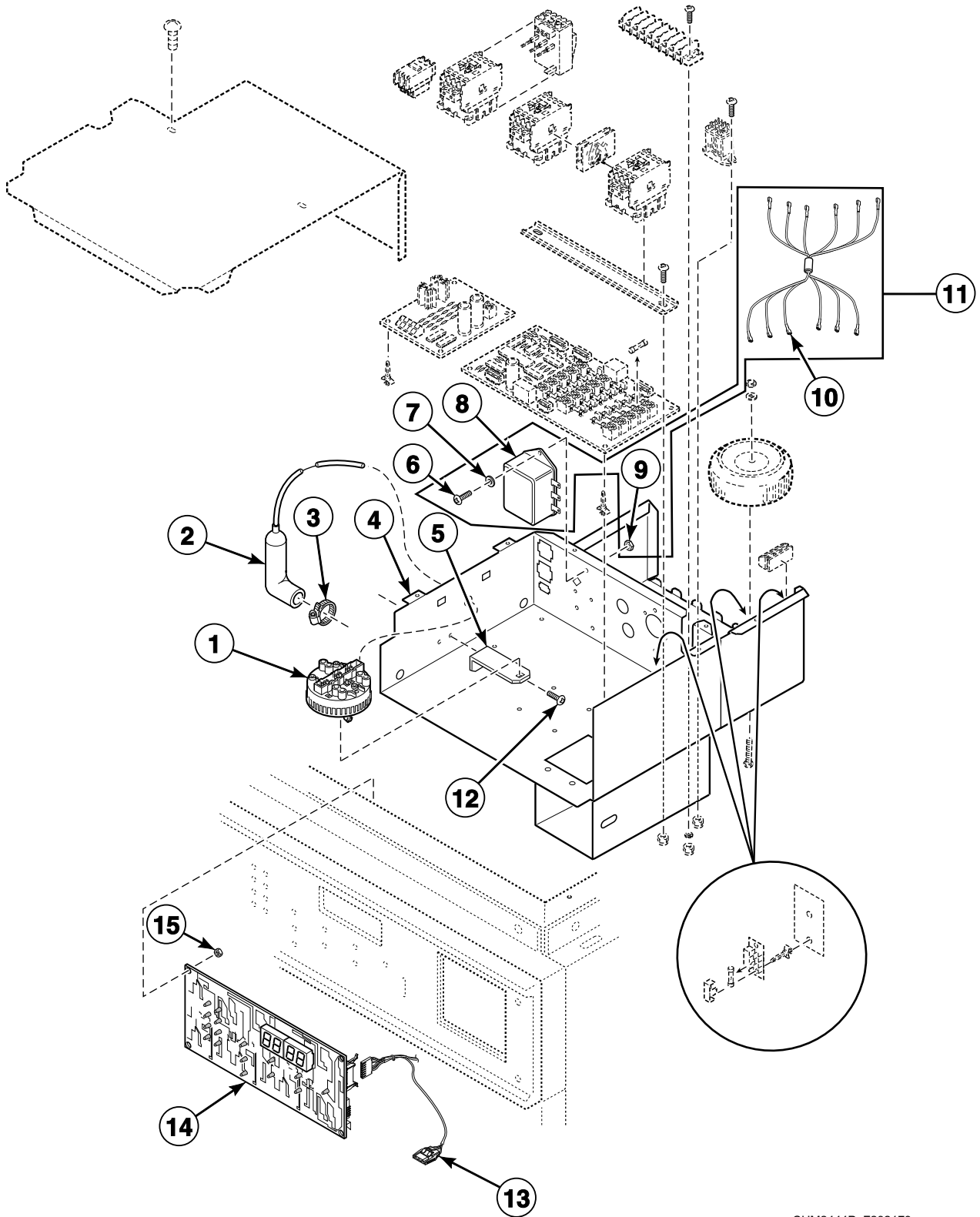


CHM2443P_F232173

Control Module - EC, EP, EX, NC, NP, NR and NX Models (Drawing 1 of 2)

REF	PART NO.	DESCRIPTION	COMMENTS
1	F634175	Control Module Cover	
2	F430174	Screw	
3	F330145P	Auxiliary Contactor	Black/yellow or black/gray
	F330185P	Auxiliary Contactor	Gray
4	F330165	Contacto	Black/yellow or black/gray
	F330176P	Contacto	Gray
5	F8344001P	Overload Contactor	DC25, HC18, HC25, HC27, NC18, NC27, SC18, SC25 and SC27 models
	F8344101P	Overload Contactor	HC35 and SC35 models
	F8176101P	Overload Contactor	HC50, NC50 and SC50 models
6	F430917	Screw	
7	F140738	Terminal Strip	
8	M412534	Relay	
9	F430215	Nut	
10	F430317	Washer	
11	F0360170-00P	Transformer	
12	F140768	Terminal	
13	F430996	Screw	
14	F431113	Washer	
15	F231356	Fuse Decal	1 Amp/1 Amp
	F231351	Fuse Decal	1.6 Amp/1.6 Amp
	F231355	Fuse Decal	2 Amp/2 Amp
	F231352	Fuse Decal	3.15 Amp/3.15 Amp
	F231350	Fuse Decal	3 Amp/5 Amp
16	F180506	Standoff	
17	F350145	Fuse	1.6 Amp
	F350142	Fuse	2 Amp
	F350115	Fuse	3 Amp
	F350141	Fuse	3.15 Amp
	F350146	Fuse	5 Amp
18	F0350312-10	Fuse Holder	
19	F431022	Nut	
20	F370434P	Output Relay CCA	Standard models
	F370433P	Output Relay CCA	Full variable; Heat models
21	F350110	Fuse	1 Amp; Drain
	F350142	Fuse	2 Amp; Drain
	F350141	Fuse	3.15 Amp; Pump
22	F330152P	Interlock	Clear
	F330186P	Interlock Contactor	Gray
23	F610083	Contacto Mounting Rail	
24	F370432P	Door Lock Control CCA	

Control Module - EC, EP, EX, NC, NP, NR and NX Models (Drawing 2 of 2)



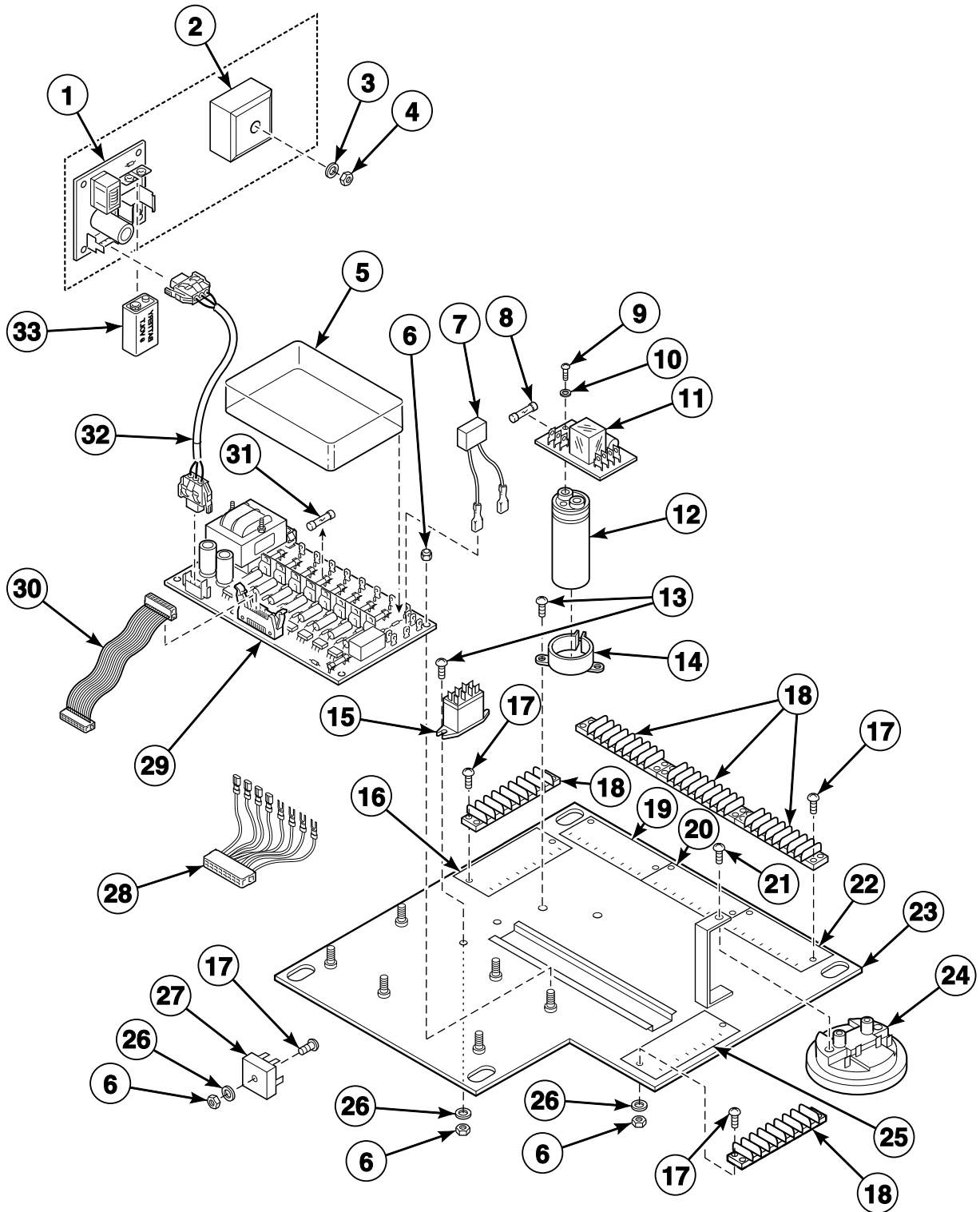
CHM2444P_F232173

Control Module - EC, EP, EX, NC, NP, NR and NX Models (Drawing 2 of 2)

REF	PART NO.	DESCRIPTION	COMMENTS
1	F0340343-10P	Water Level Switch	DC25, HC18, HC25, HC27, NC18, NC27, SC18, SC25 and SC27 models
	F0340345-10P	Water Level Switch	HC35, HC50, NC50, SC35 and SC50 models
2	F020014200	Air Trap Hose	
3	36801	Hose Clamp	
4	F634236-1	Control Box Assembly	
5	F631920	Water Level Switch Bracket	
6	F430928	Screw	
7	F431125	Washer	
8	801255P	Filter	
9	F430231	Nut	
10	F0637649-00P	Filter Harness	
11	F0798913-00	EMI Filter Kit	Includes items 6-10 and installation instructions
12	N/A	Screw	
13	F141893	Harness Assembly	NC, NP, NR and NX models; Connects the control assembly to the coin meter
	F141885P	Harness Assembly	EC, EP and EX models
14	F160200P	Control Assembly	EC and EP models
	F160203P	Logic Control Assembly	NC, NP, NR and NX models
	210073P	Membrane Switch	
15	685846	Nut	

N/A = Part no longer available

Control Module - PC, PN and SN Models

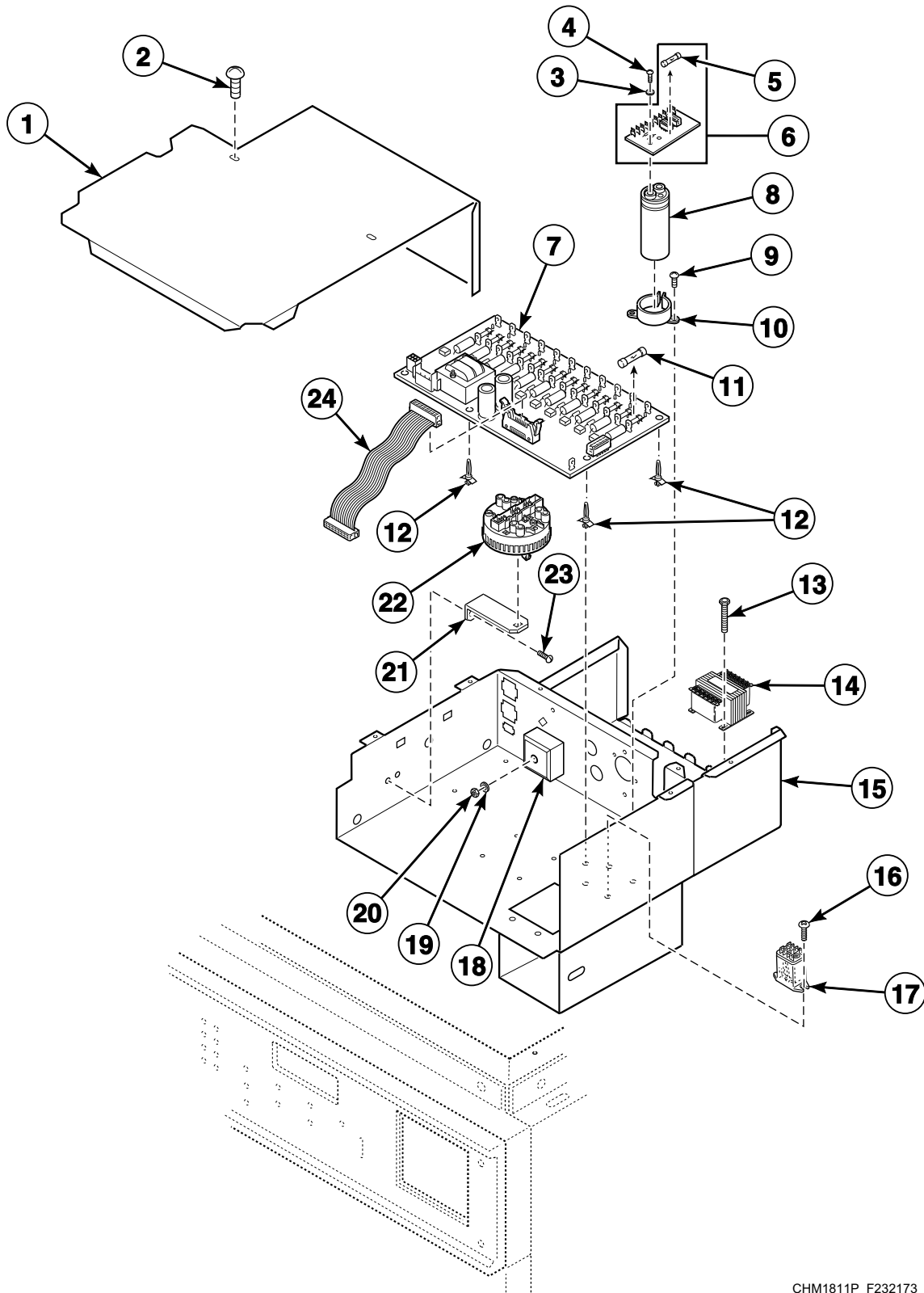


CHM1761P_F232173

Control Module - PC, PN and SN Models

REF	PART NO.	DESCRIPTION	COMMENTS
1	F370529P	Battery Adapter Board	
2	F200025200P	Door Lock Time Delay	
3	F431100	Washer	
4	F430211	Nut	
5	F140423	Cover	
6	F431022	Nut	
7	F330217P	RC Network Filter	Includes F140627 Connector and F141022 Connector
8	F350110	Fuse	
9	201415	Screw	
10	F431108	Washer	
11	F370426-1P	Door Lock Relay CCA	120 Volt; PC models
	F370426-2P	Door Lock Relay CCA	220 Volt; PC models
12	F370225P	Capacitor	
13	F430917	Screw	
14	F140612P	Capacitor Mounting Clamp	
15	F330227	Flange Relay	120 Volt
	F330230	Flange Relay	220 Volt
16	F140912	Terminal Strip Insulator Decal	1-8
17	F430916	Screw	
18	F140738	Terminal Strip	
19	F140913	Terminal Strip Insulator Decal	9-16
20	F140914	Terminal Strip Insulator Decal	17-24
21	F430928	Screw	
22	F140915	Terminal Strip Insulator Decal	25-32
23	F0606950-02	Electrical Panel Sub-Assembly	
24	F340325P	Water Level Switch	HC18, HC25, SC18, SC25, UC18 and UC25 models without heat
	F340311P	Water Level Switch	HC18, HC25, SC18, SC25, UC18 and UC25 models with heat
	F340312P	Water Level Switch	HC27, SC27 and UC27 models with or without heat
	F340337P	Water Level Switch	HC50, SC50 and UC50 models with heat
	F340321P	Water Level Switch	HC35, SC35 and UC35 models with or without heat; HC50, SC50 and UC50 models without heat
25	F140916	Terminal Strip Insulator Decal	33-40
26	F431113	Washer	
27	F370310	Bridge Rectifier	OPL models
28	F141871P	Input Harness Kit	PC and PN models
	F141869P	Input Assembly	SN models
29	F370449P	Output Board CCA	120 Volt; PN and SN models
	F370450P	Output Board CCA	220 Volt; PN and SN models
	F370519P	Relay Board	120 Volt; PC models
	F610808	Relay Board	220 Volt; PC models
30	F140216P	Ribbon Cable	120 Volt; PN and SN models
31	F350110	Fuse	1 Amp; Slo blo
	F350108	Fuse	1/8 Amp; Slo blo
	F350109	Fuse	1/2 Amp; Fast blo
32	F140249	Battery Backup Wire Harness	
33	F191101	Battery	

Control Module - VC and VN Models



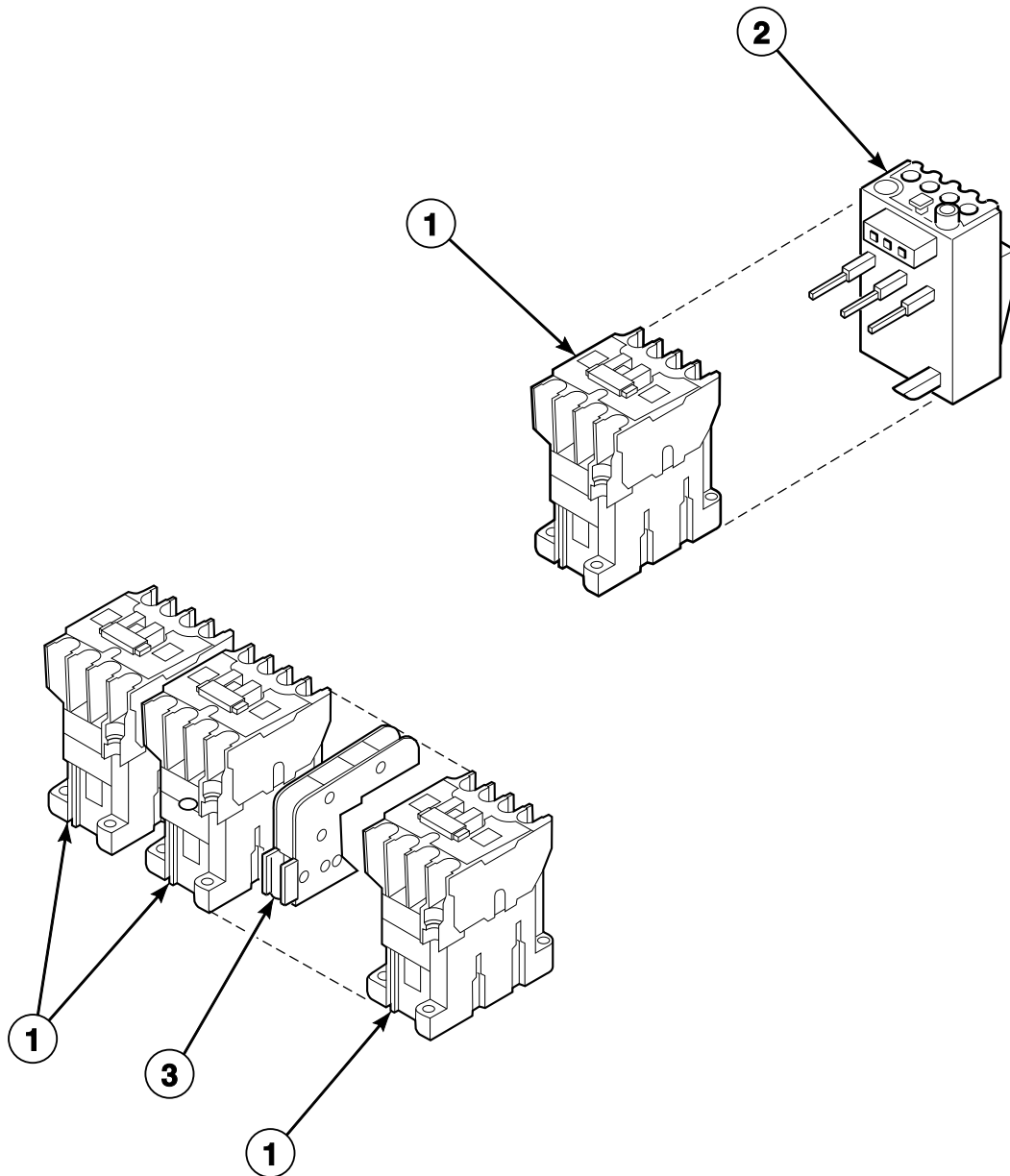
CHM1811P_F232173

Control Module - VC and VN Models

REF	PART NO.	DESCRIPTION	COMMENTS
1	F634175	Control Module Cover	
2	F430174	Screw	
3	F431108	Washer	VC models
4	201415	Screw	VC models
5	F350110	Fuse	VC models
6	F0632387-01P	Door Lock CCA	120 Volt; Includes item 5; VC models
	N/A	Door Lock CCA	220 Volt; Includes item 5; VC models
7	F8206501P	Output Board VCMP Assembly	120 Volt
	F8206502P	Output Board VCMP Assembly	220 Volt
8	F370225P	Capacitor	VC models
9	F430917	Screw	VC models
10	F140612P	Capacitor Mounting Clamp	VC models
11	F350110	Fuse	1 Amp; Slo blo
	F350108	Fuse	1/8 Amp; Slo blo
	F350109	Fuse	1/2 Amp; Fast blo
12	F180501	Standoff	4 required
13	F430108	Screw	
14	C000203	Transformer	Models with pump drain
	F360117P	Transformer	Models without pump drain
15	F634236-1	Control Box Assembly	VC models
	N/A	Control Box Assembly	VN models
16	N/A	Screw	
17	F330227	Flange Relay	120 Volt
	F330230	Flange Relay	220 Volt
18	F200025200P	Door Lock Time Delay	VC models
19	F431100	Washer	VC models
20	F430211	Nut	VC models
21	F631920	Water Level Switch Bracket	
22	F0340343-10P	Water Level Switch	Standard; HC18, HC25, HC27, SC18, SC25, SC27 UC18, UC25 and UC27 models
	F0340345-10P	Water Level Switch	Standard; HC35, HC50, SC35, SC50, UC35 and UC50 models
	F8223001P	Water Pressure Switch	Heat safety
23	N/A	Screw	
24	F140247	Ribbon Cable	

N/A = Part no longer available

Contactors - PC, PN, SN, VC and VN Models



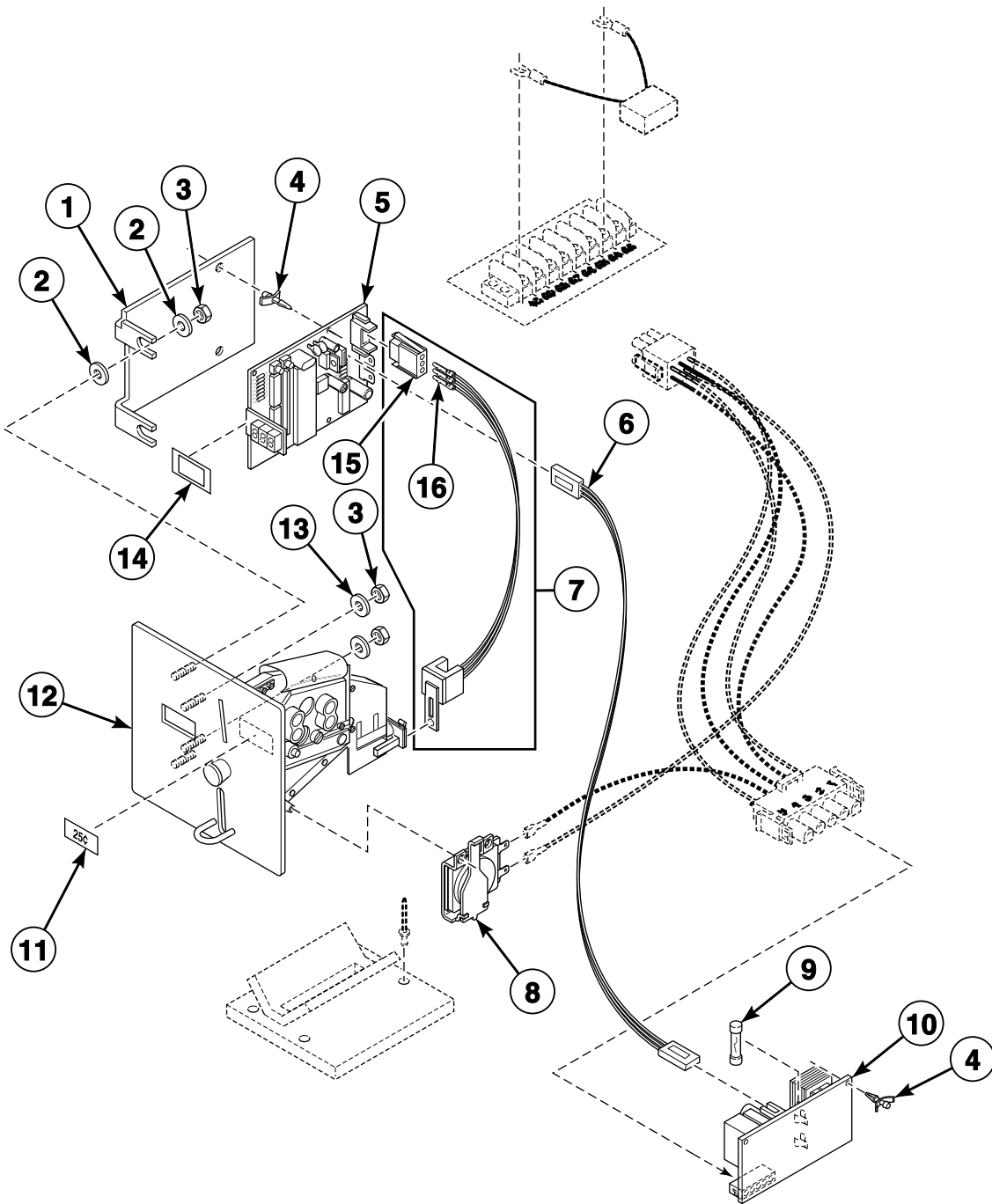
CHM1762P_F232173

Contactors - PC, PN, SN, VC and VN Models

REF	PART NO.	DESCRIPTION	COMMENTS
1	F330175P	Contactors	120 Volt
	F330177P	Contactors	220 Volt
2	F8344001P	Overload Contactors	HC18, HC25, HC27, SC18, SC25, SC27, UC18, UC25 and UC27 models
	F8344101P	Overload Contactors	HC35, SC35 and UC35 models
	F8176101P	Overload Contactors	HC50, SC50 and UC50 models
3	F330186P	Interlock Contactors	

NOTE: The contactor overloads and contactor interlock must be replaced as a group.

Display Coin Meter Assembly - MC, MD and MX Models; Single Drop (Drawing 1 of 2)



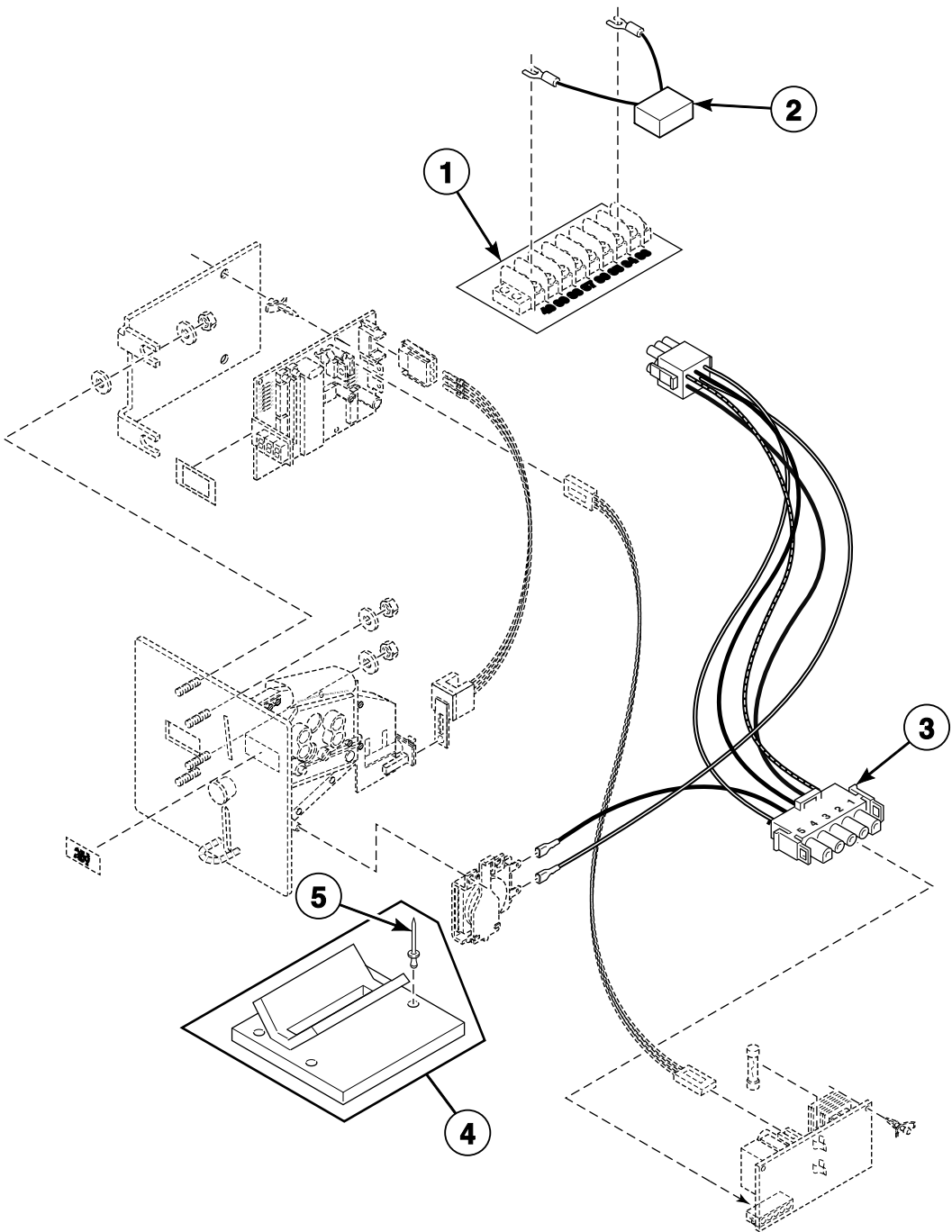
CHM2788P_F232173

Display Coin Meter Assembly - MC, MD and MX Models; Single Drop (Drawing 1 of 2)

REF	PART NO.	DESCRIPTION	COMMENTS
1	F608169	CCA Mounting Bracket	
2	F430311	Washer	
3	F430243	Nut	
4	F432001	Circuit Board Support	
5	F0370410-10P	Coin Counter CCA	
6	F140202	DC Power Cable	
7	F775801-01P	Optic Switch Kit	Includes items 15 and 16
8	F160466P	Coin Meter Blocking Coil	120 Volt
	F160467P	Coin Meter Blocking Coil	220 Volt
9	F350127	Fuse	40 MA
10	F370411-1P	Power Supply CCA	120 Volt
	F370411-2P	Power Supply CCA	220 Volt
11	F231010	Coin Meter Insert Decal	.25 insert
12	F200003000P	Coin Meter Assembly	U.S. \$.25; 120 Volt; A, B, F, H, K, L, O and Y-voltage; Includes items 1-11, 13-16 and F607322-2 Coin Meter Wire Harness (5-pin) which replaces previous harness (4-pin)
	F200003001	Coin Meter Assembly	10 Taiwan; 120 Volt; A, B, F, H, K, L, O and Y-voltage; Includes items 1-10 and 13-16
	F200003002	Coin Meter Assembly	.880 token; 220 Volt; C, D, E, G and J-voltage; Includes items 1-10 and 13-16
	F200003003P	Coin Meter Assembly	.990 token; 120 Volt; A, B, F, H, K, L, O and Y-voltage; Includes items 1-10, 13-16 and F607322-2 Coin Meter Wire Harness (5-pin) which replaces previous harness (4-pin)
	F200003004	Coin Meter Assembly	.990 token; 220 Volt; C, D, E, G and J-voltage; Includes items 1-10 and 13-16
	F200003005P	Coin Meter Assembly	U.S. \$.25; 220 Volt; C, D, E, G and J-voltage; Includes items 1-11, 13-16 and F607322-2 Coin Meter Wire Harness (5-pin) which replaces previous harness (4-pin)
	F200003006	Coin Meter Assembly	Jeton .08; 220 Volt; C, D, E, G and J-voltage; Includes items 1-10 and 13-16
	F200003007	Coin Meter Assembly	.800 token; 120 Volt; A, B, F, H, K, L, O and Y-voltage; Includes items 1-10 and 13-16
	F200003008	Coin Meter Assembly	500 wan and yen; 120 Volt; A, B, F, H, K, L, O and Y-voltage; Includes items 1-10 and 13-16
	F200003009P	Coin Meter Assembly	.880 token; 120 Volt; A, B, F, H, K, L, O and Y-voltage; Includes items 1-10, 13-16 and F607322-2 Coin Meter Wire Harness (5-pin) which replaces previous harness (4-pin)
	F200003010	Coin Meter Assembly	.800 token; 220 Volt; C, D, E, G and J-voltage; Includes items 1-10 and 13-16
	F200003011	Coin Meter Assembly	500 wan and yen; 220 Volt; C, D, E, G and J-voltage; Includes items 1-10 and 13-16
F200003012	Coin Meter Assembly	10 Taiwan; 220 Volt; C, D, E, G and J-voltage; Includes items 1-10 and 13-16	
13	N/A	Washer	
14	F230803	Digital Display Decal	Window
15	F140571	Male Connector	
16	00430	Female Pin Terminal	

N/A = Part no longer available

Display Coin Meter Assembly - MC, MD and MX Models; Single Drop (Drawing 2 of 2)



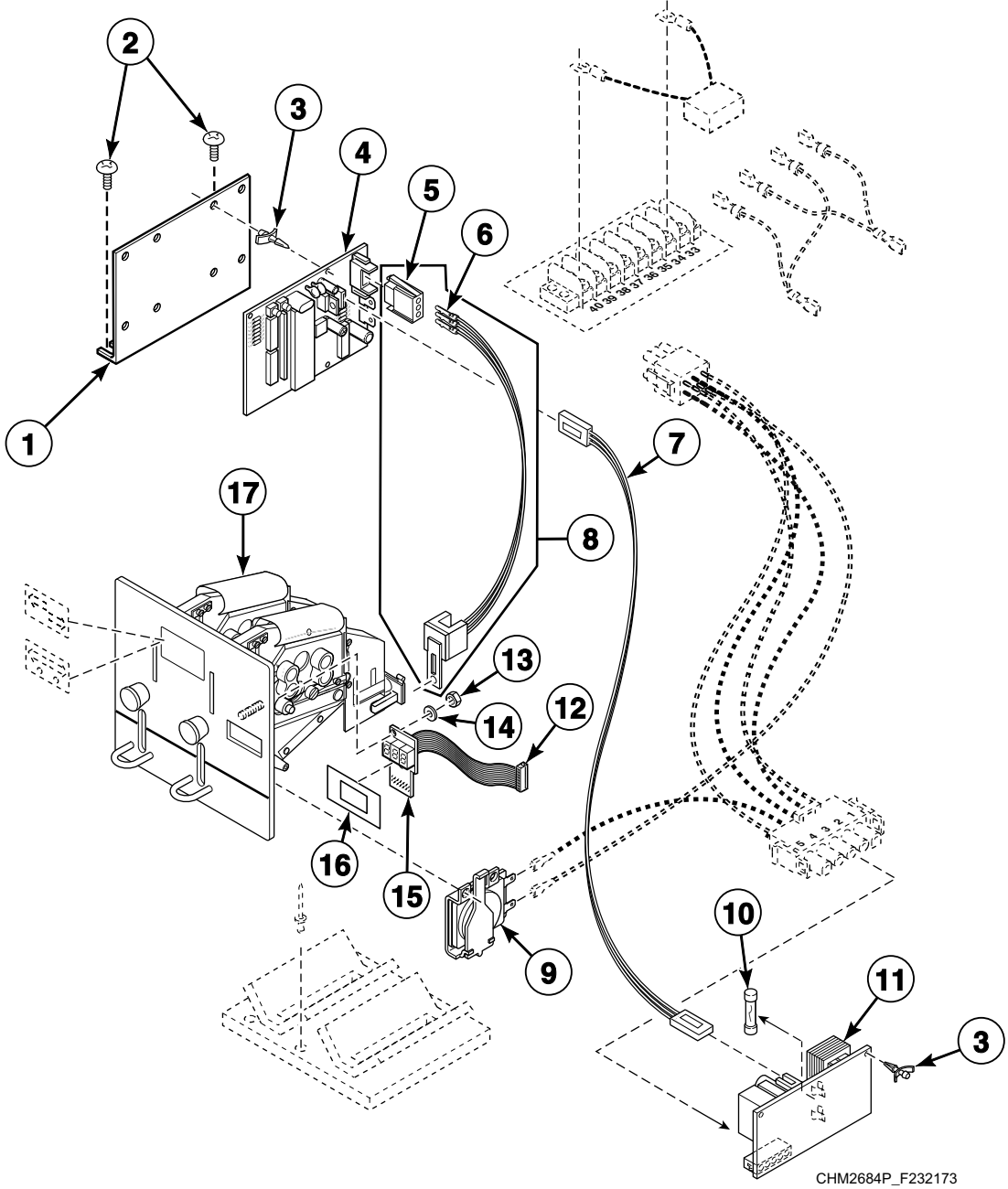
CHM2788PA_F232173

Display Coin Meter Assembly - MC, MD and MX Models; Single Drop (Drawing 2 of 2)

REF	PART NO.	DESCRIPTION	COMMENTS
1	F140916	Terminal Strip Insulator Decal	33-40
2	F330217P	RC Network Filter	Used only on models with terminal strip; Includes F140627 Connector and F141022 Connector
3	F607322-2P	Coin Meter Wire Harness	Without connector on terminal strip end; Blue neutral wires; B and C-voltage
	N/A	Coin Meter Harness	Without connector on terminal strip end; Gray neutral wires; A, D, E, F, H, J, K, L, O and Y-voltage
	F0141904-01P	Power Supply Harness	With connector on terminal strip end; Blue neutral wires; B and C-voltage
	F0141904-00P	Power Supply Harness	With connector on terminal strip end; Gray neutral wires; A, D, E, F, H, J, O and Y-voltage
4	F200002500P	Coin Guide Assembly	Includes item 5; Models through 11/95
	F200002502P	Coin Guide Assembly	Includes item 5; Models starting 12/95
5	F431215	Pop Rivet	

N/A = Part no longer available

Display Coin Meter Assembly - MC, MD and MX Models; Dual Drop (Drawing 1 of 2)

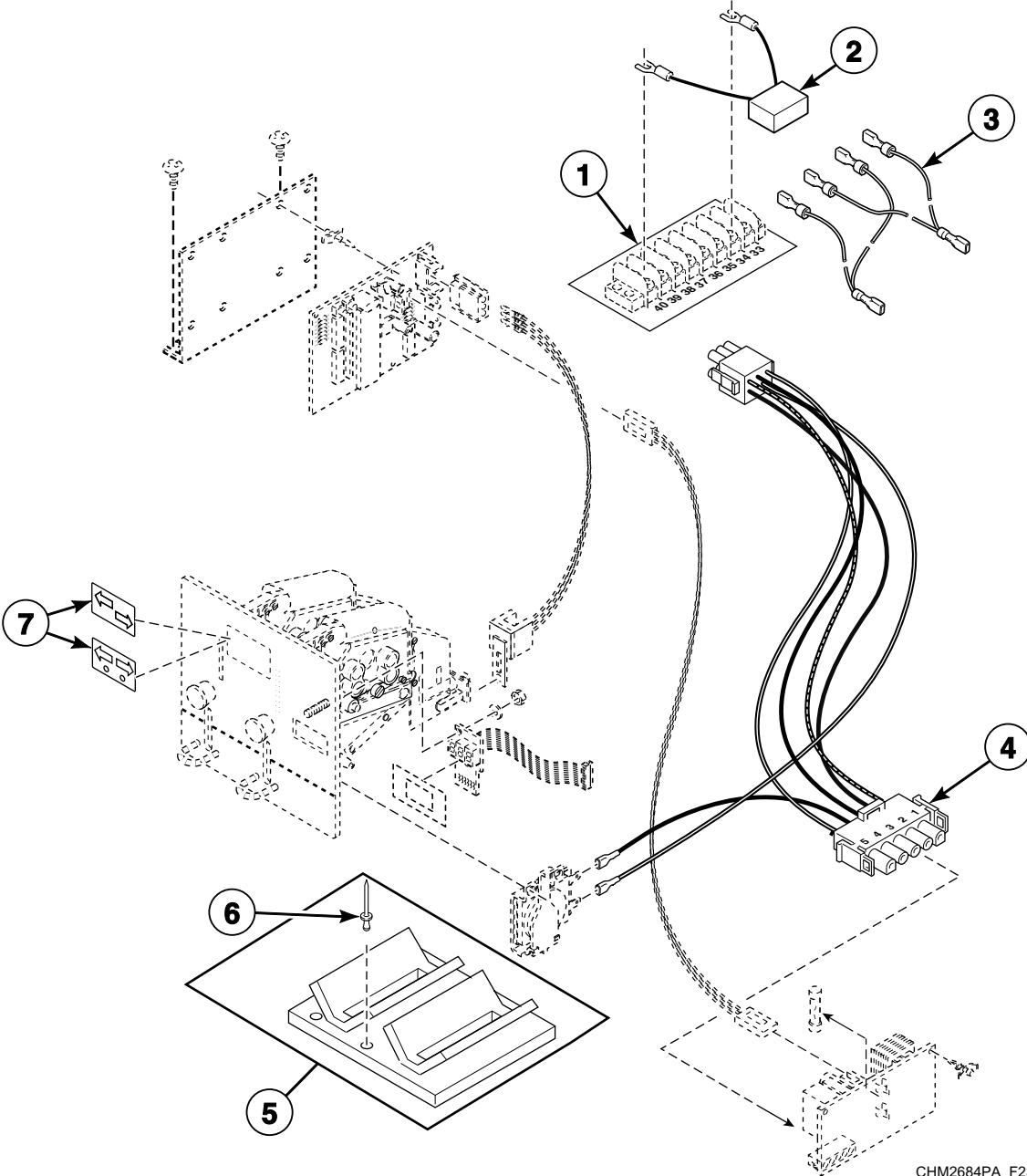


Display Coin Meter Assembly - MC, MD and MX Models; Dual Drop (Drawing 1 of 2)

REF	PART NO.	DESCRIPTION	COMMENTS
1	F608169	CCA Mounting Bracket	
2	F430174	Screw	
3	F432001	Circuit Board Support	
4	F370425P	Coin Counter CCA	
5	F140571	Male Connector	
6	00430	Female Pin Terminal	
7	F140202	DC Power Cable	
8	F775801-01P	Optic Switch Kit	Includes items 5 and 6
9	F160466P	Coin Meter Blocking Coil	120 Volt
	F160467P	Coin Meter Blocking Coil	220 Volt
10	F350127	Fuse	
11	F370411-1P	Power Supply CCA	120 Volt
	F370411-2P	Power Supply CCA	220 Volt
12	F140243P	Ribbon Cable	
13	F430243	Nut	
14	N/A	Washer	
15	F370424-1	Digital Display LED CCA	
16	F230803	Digital Display Decal	Window
17	F200004900	Coin Meter Assembly	1 pound and 20 pence; 220 Volt; C, D, E, G and J-voltage; Includes items 1-16
	F200004901	Coin Meter Assembly	100 and 500 yen; 120 Volt; A, B, F, H, K, L, O and Y-voltage; Includes items 1-16
	F200004902	Coin Meter Assembly	1 and 5 krona; 220 Volt; C, D, E, G and J-voltage; Includes items 1-16
	F200004903	Coin Meter Assembly	Australia 1.00 and .20; 220 Volt; C, D, E, G and J-voltage; Includes items 1-16
	F200004904	Coin Meter Assembly	1 and 5 rand; 220 Volt; C, D, E, G and J-voltage; Includes items 1-16
	F200004905	Coin Meter Assembly	1 and 5 shekel; 220 Volt; C, D, E, G and J-voltage; Includes items 1-16
	F200004906P	Coin Meter Assembly	U.S. \$1.00 and .25; 120 Volt; A, B, F, H, K, L, O and Y-voltage; Includes items 1-16 and F0231595-00 Coin Meter Decal
	N/A	Coin Meter Assembly	100 and 500 peseta; 220 Volt; C, D, E, G and J-voltage; Includes items 1-16
	F200004908P	Coin Meter Assembly	.50 and 2.00 euro; 220 Volt; C, D, E, G and J-voltage; Includes items 1-16 and F0231595-01 Coin Meter Decal
	F200004909P	Coin Meter Assembly	Canada 1.00 and .25; 120 Volt; A, B, F, H, K, L, O and Y-voltage; Includes items 1-15 and F0231595-00 Coin Meter Decal
	F200004910P	Coin Meter Assembly	U.S. \$1.00 and .25; 220 Volt; C, D, E, G and J-voltage; Includes items 1-16 and F0231595-00 Coin Meter Decal
	F200004911	Coin Meter Assembly	Canada 1.00 and .25; 220 Volt; C, D, E, G and J-voltage; Includes items 1-15 and F0231595-00 Coin Meter Decal
	F200004912	Coin Meter Assembly	100 and 500 yen; 220 Volt; C, D, E, G and J-voltage; Includes items 1-16

N/A = Part no longer available

Display Coin Meter Assembly - MC, MD and MX Models; Dual Drop (Drawing 2 of 2)



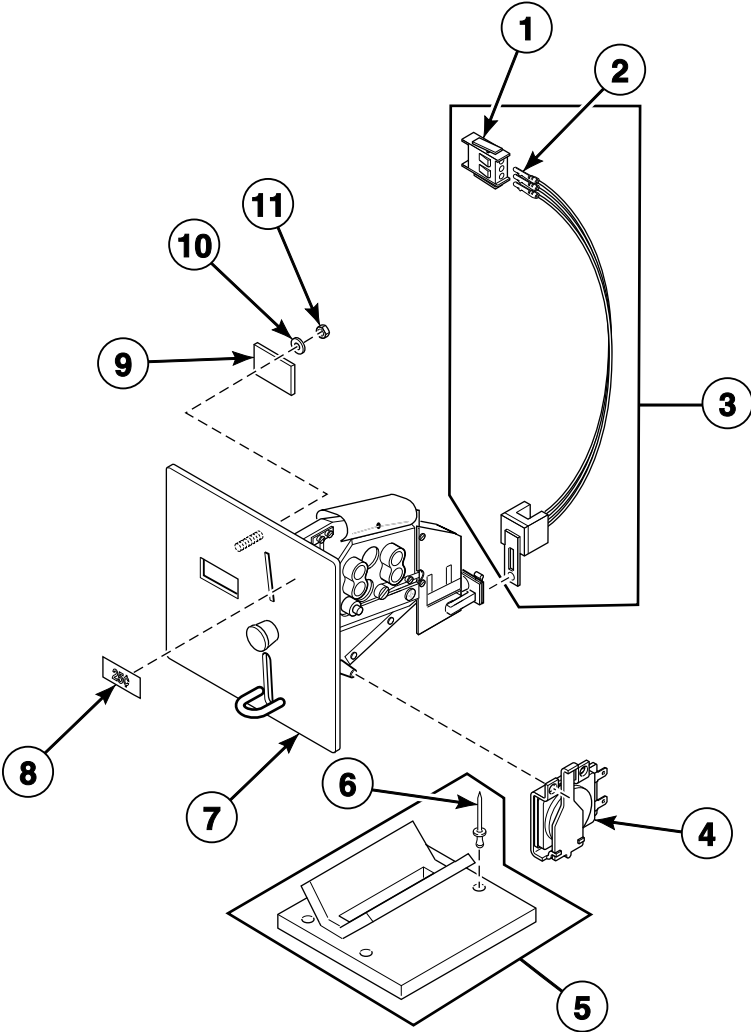
CHM2684PA_F232173

Display Coin Meter Assembly - MC, MD and MX Models; Dual Drop (Drawing 2 of 2)

REF	PART NO.	DESCRIPTION	COMMENTS
1	F140916	Terminal Strip Insulator Decal	33-40
2	F330217P	RC Network Filter	Used only on models with terminal strip; Includes F140627 Connector and F141022 Connector
3	F634561-1	Coin Blocking Wire Harness	A, D, E, F, H, K, L, O and Y-voltage
	F634561-2	Coin Blocking Wire Harness	B and C-voltage
4	F607322-3	Coin Meter Wire Harness	Without connector on terminal strip end; Includes item 2; B and C-voltage
	F607322-5P	Coin Meter Harness	Without connector on terminal strip end; Includes item 2; A, D, E, F, H, J, K, L, O and Y-voltage
5	F200002501P	Coin Guide Assembly	Includes item 6; Models through 11/95
	F200002503	Coin Guide Assembly	Includes item 6; Models starting 12/95
6	F431215	Pop Rivet	
7	F0231595-00	Coin Meter Decal	U.S. \$1.00 and .25
	N/A	Coin Meter Decal	.50 and 2.00 euro

N/A = Part no longer available

W2000 Coin Meter Assembly - EC, EP and VC Models; Single Drop



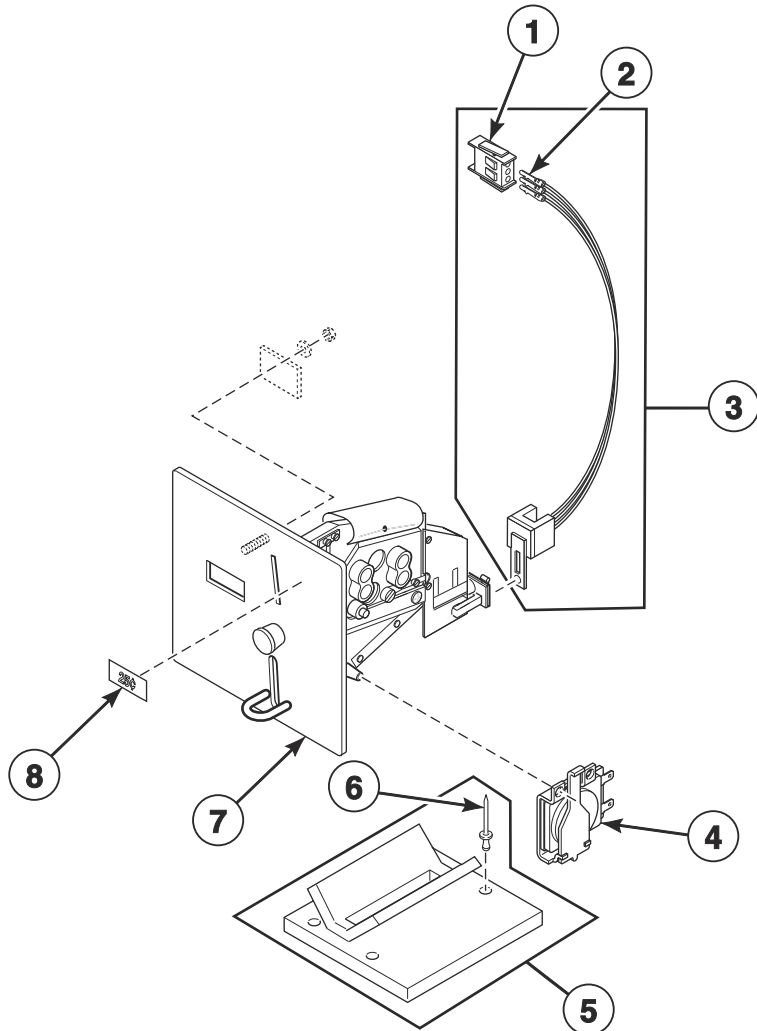
CHM2690P_F232173

W2000 Coin Meter Assembly - EC, EP and VC Models; Single Drop

REF	PART NO.	DESCRIPTION	COMMENTS
1	F140571	Male Connector	
2	00430	Female Pin Terminal	
3	F775801-03P	Optic Switch Kit	Includes items 1 and 2
4	F160713P	Coin Meter Solenoid	24 Volt; EC and EP models
	F160466P	Coin Meter Blocking Coil	120 Volt; VC models
	F160467P	Coin Meter Blocking Coil	220 Volt; VC models
5	F200002500P	Coin Guide Assembly	Includes item 6; Models through 11/95
	F200002502P	Coin Guide Assembly	Includes item 6; Models starting 12/95
6	F431215	Pop Rivet	
7	F200003804P	Coin Meter Assembly	EC and EP models; U.S. \$.25; 24 Volt; Includes items 1-4 and 8-11
	F200003801	Coin Meter Assembly	10 Taiwan; Includes items 1-3, 9-11 and F200115001 Coin Meter Assembly
	F200003802P	Coin Meter Assembly	.880 token; Includes items 1-3, 9-11 and F160692 Coin Meter
	F200003805	Coin Meter Assembly	.990 token; Includes items 1-3, 9-11 and F160717 Coin Meter
	F200003807	Coin Meter Assembly	.08 jeton; Includes items 1-3, 9-11 and F160719 Coin Meter
	F200003808	Coin Meter Assembly	.800 token; Includes items 1-3, 9-11 and F0160735-00 Coin Meter
	F200003809	Coin Meter Assembly	500 wan and yen; 120 Volt; Includes items 1-3 and F0160739-00 Coin Meter
	F200003800P	Coin Meter Assembly	VC models; U.S. \$.25; 120 Volt; Includes items 1-3, 9-11 and F775302-03 Coin Meter Kit
	F200003803	Coin Meter Assembly	VC models; .990 token; 120 Volt; Includes items 1-3, 9-11 and F200115003 Coin Meter Assembly
	F200003806P	Coin Meter Assembly	VC models; U.S. \$.25; 220 Volt; Includes items 1-3, 9-11 and F160718 Coin Meter
	F200003810	Coin Meter Assembly	VC models; .800 token; 220 Volt; Includes items 1-3 and 9-11
	F200003811	Coin Meter Assembly	VC models; 500 wan and yen; 220 Volt; Includes items 1-3 and 9-11
	F200003812	Coin Meter Assembly	VC models; 10 Taiwan; 220 Volt; Includes items 1-3 and 9-11
8	F231010	Coin Meter Insert Decal	.25 insert
9	F608925	Coin Meter Insert	
10	N/A	Washer	
11	F430243	Nut	

N/A = Part no longer available

W2000 Coin Meter Assembly - MC, MD and MX Models; Single Drop

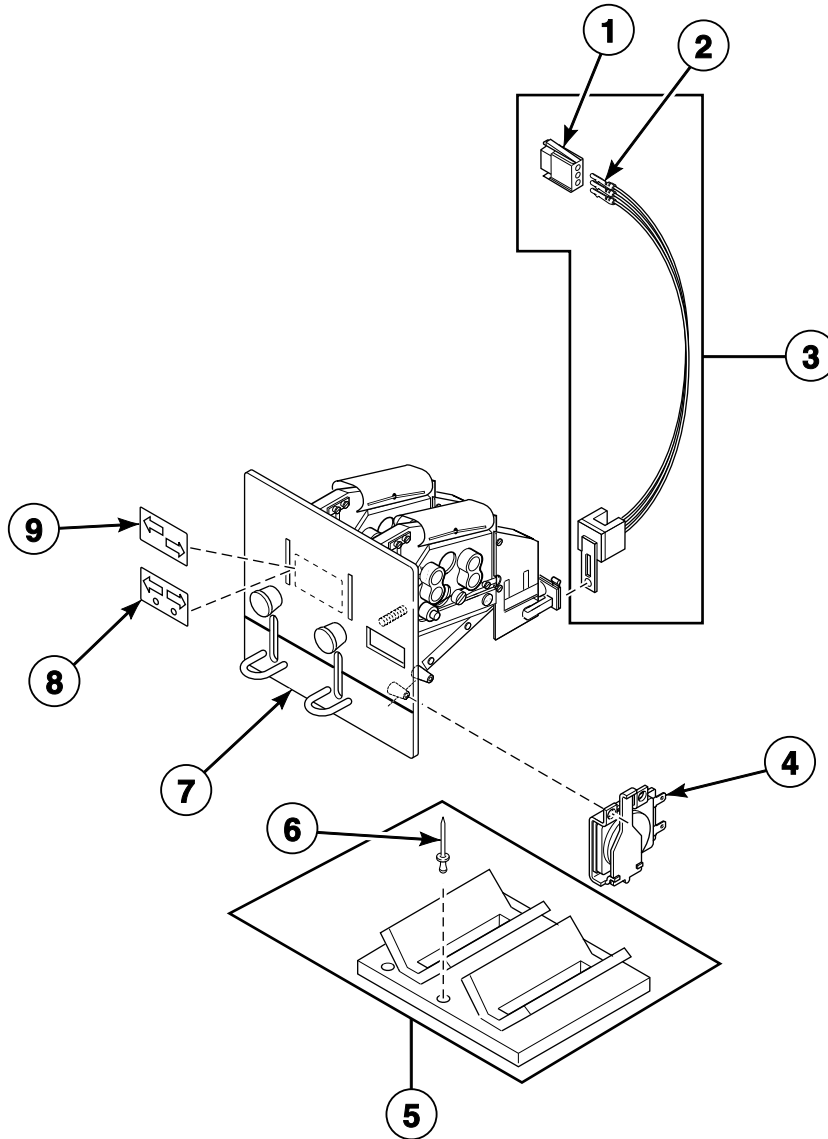


CHM2690PA_F232173

W2000 Coin Meter Assembly - MC, MD and MX Models; Single Drop

REF	PART NO.	DESCRIPTION	COMMENTS
1	F140571	Male Connector	
2	00430	Female Pin Terminal	
3	F775801-03P	Optic Switch Kit	Includes items 1 and 2
4	F160466P	Coin Meter Blocking Coil	120 Volt
	F160467P	Coin Meter Blocking Coil	220 Volt
5	F200002500P	Coin Guide Assembly	Includes item 6; Models through 11/95
	F200002502P	Coin Guide Assembly	Includes item 6; Models starting 12/95
6	F431215	Pop Rivet	
7	F200115000P	Coin Meter Assembly	U.S. \$.25; 120 Volt; Includes items 1, 2, 4 and 8
	F200115001	Coin Meter Assembly	10 Taiwan; 120 Volt; Includes items 1, 2 and 4
	F200115002	Coin Meter Assembly	.880 token; 220 Volt; Includes items 1, 2 and 4
	F200115003	Coin Meter Assembly	.990 token; 120 Volt; Includes items 1, 2 and 4
	F200115004	Coin Meter Assembly	.990 token; 220 Volt; Includes items 1, 2 and 4
	F200115005P	Coin Meter Assembly	U.S. \$.25; 220 Volt; Includes items 1, 2, 4 and 8
	F200115006P	Coin Meter Assembly	.08 jeton; 220 Volt; Includes items 1, 2 and 4
	F200115007	Coin Meter Assembly	.800 token; 120 Volt; Includes items 1, 2 and 4
	F200115008	Coin Meter Assembly	500 wan and yen; 120 Volt; Includes items 1, 2 and 4
	F200115009	Coin Meter Assembly	.800 token; 220 Volt; Includes items 1, 2 and 4
	F200115010	Coin Meter Assembly	500 wan and yen; 220 Volt; Includes items 1, 2 and 4
	F200115011	Coin Meter Assembly	10 Taiwan; 220 Volt; Includes items 1, 2 and 4
8	F231010	Coin Meter Insert Decal	.25 insert

W2000 Coin Meter Assembly - MC, MD and MX Models; Dual Drop



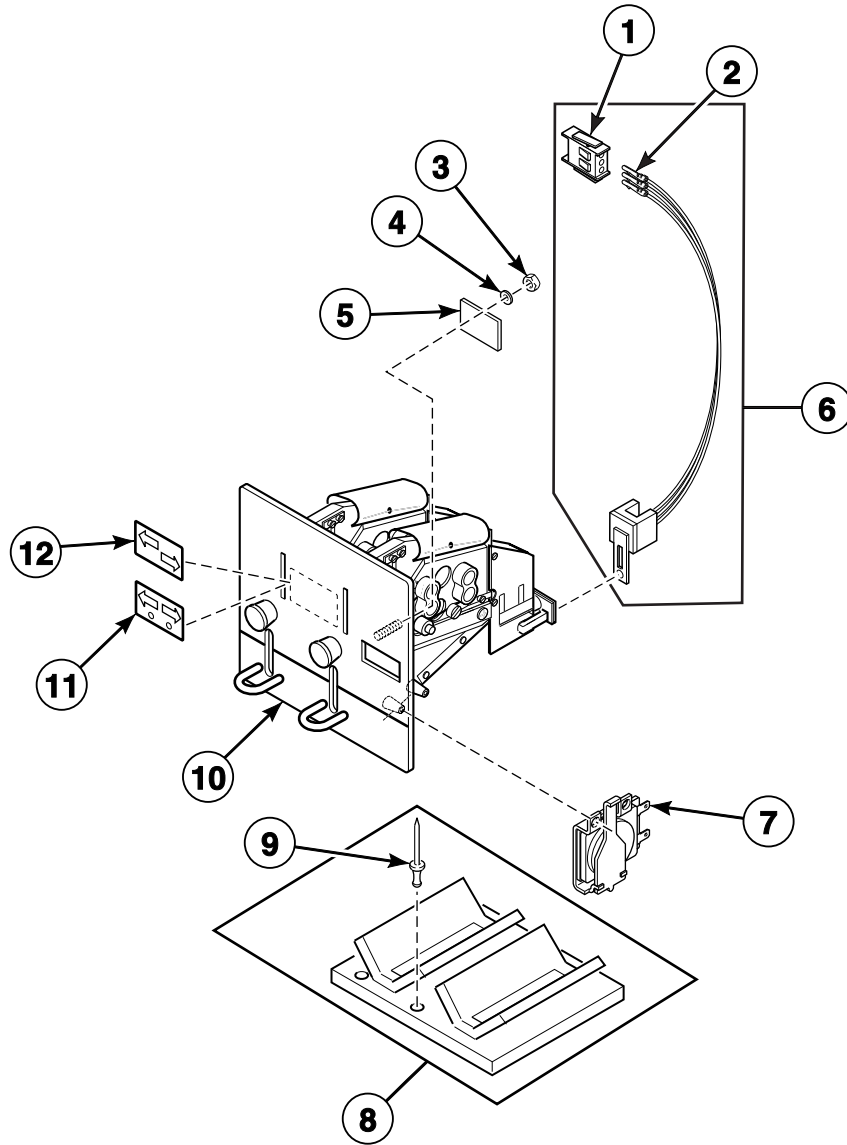
CHM2718P_F232173

W2000 Coin Meter Assembly - MC, MD and MX Models; Dual Drop

REF	PART NO.	DESCRIPTION	COMMENTS
1	F140571	Male Connector	
2	00430	Female Pin Terminal	
3	F775801-01P	Optic Switch Kit	Includes items 1 and 2
4	F160466P	Coin Meter Blocking Coil	120 Volt
	F160467P	Coin Meter Blocking Coil	220 Volt
5	F200002501P	Coin Guide Assembly	Includes item 6; Models through 11/95
	F200002503	Coin Guide Assembly	Includes item 6; Models starting 12/95
6	F431215	Pop Rivet	
7	F200115100	Coin Meter Assembly	1 pound and 20 pence; 220 Volt; Includes items 1 and 2
	F200115101	Coin Meter Assembly	100 and 500 yen; 120 Volt; Includes items 1 and 2
	F200115102	Coin Meter Assembly	1 and 5 krona; 220 Volt; Includes items 1 and 2
	F200115103	Coin Meter Assembly	Australia 1.00 and .20; 220 Volt; Includes items 1 and 2
	F200115104	Coin Meter Assembly	1 and 5 rand; 220 Volt; Includes items 1 and 2
	F200115105	Coin Meter Assembly	1 and 5 shekel; 220 Volt; Includes items 1 and 2
	F200115106P	Coin Meter Assembly	U.S. \$1.00 and .25; 120 Volt; Includes items 1, 2 and 8
	F200115107	Coin Meter Assembly	100 and 500 peseta; 220 Volt; Includes items 1 and 2
	N/A	Coin Meter Assembly	.50 and 2.00 euro; 220 Volt; Includes items 1, 2 and 9
	F200115109	Coin Meter Assembly	Canada 1.00 and .25; 120 Volt; Includes items 1, 2 and 8
	N/A	Coin Meter Assembly	U.S. \$1.00 and .25; 220 Volt; Includes items 1, 2 and 8
	F200115111	Coin Meter Assembly	Canada 1.00 and .25; 220 Volt; Includes items 1, 2 and 8
	F200115112	Coin Meter Assembly	100 and 500 yen; 220 Volt; Includes items 1 and 2
	8	F0231595-00	Coin Meter Decal
9	N/A	Coin Meter Decal	.50 and 2.00 euro

N/A = Part no longer available

W2000 Coin Meter Assembly - EC, EP and VC Models; Dual Drop



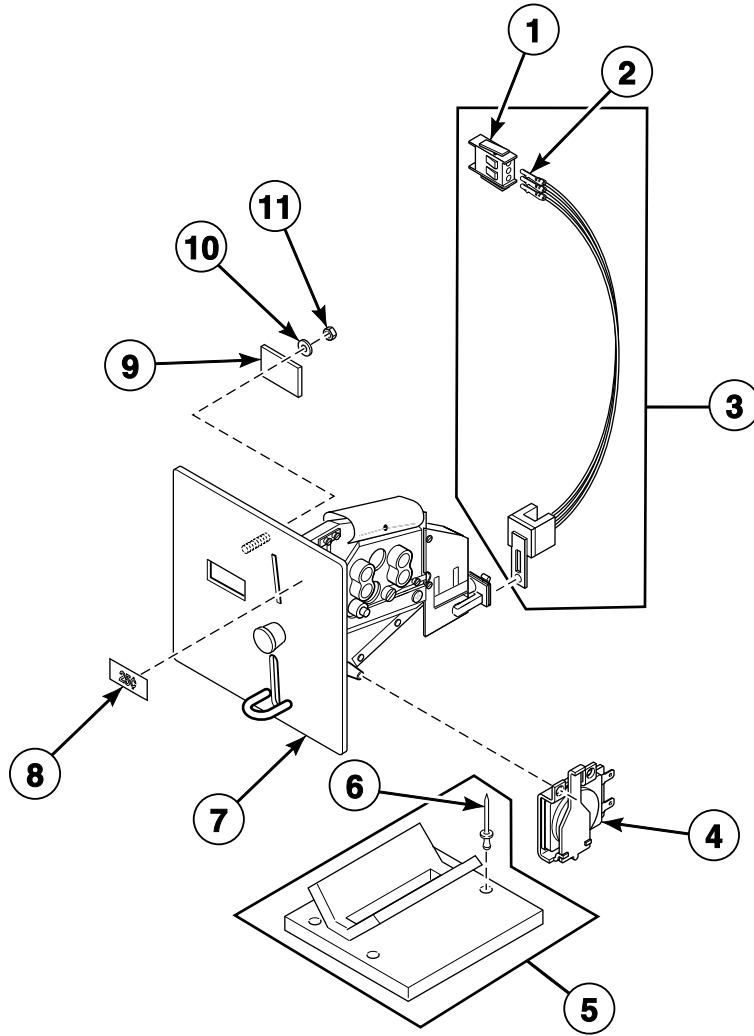
CHM2693P_F232173

W2000 Coin Meter Assembly - EC, EP and VC Models; Dual Drop

REF	PART NO.	DESCRIPTION	COMMENTS
1	F140571	Male Connector	
2	00430	Female Pin Terminal	
3	F430243	Nut	
4	N/A	Washer	
5	F608925	Coin Meter Insert	
6	F775801-03P	Optic Switch Kit	Includes items 1 and 2
7	F160713P	Coin Meter Solenoid	24 Volt
8	F200002501P	Coin Guide Assembly	Models through 12/95; Includes item 9
	F200002503	Coin Guide Assembly	Models starting 12/95; Includes item 9
9	F431215	Pop Rivet	
10	F200005200	Coin Meter Assembly	EC and EP models; 1 pound and 20 pence; Includes items 1-6 and F160691 Coin Meter; 2 of item 7 must be ordered and installed onto the coin meter assembly
	F200005201	Coin Meter Assembly	EC and EP models; 100 and 500 yen; Includes items 1-6 and F160693 Coin Meter; 2 of item 7 must be ordered and installed onto the coin meter assembly
	F200005202	Coin Meter Assembly	EC and EP models; 1 and 5 krona; Includes items 1-6 and F160694 Coin Meter; 2 of item 7 must be ordered and installed onto the coin meter assembly
	F200005203	Coin Meter Assembly	EC and EP models; Australia 1.00 and .20; Includes items 1-6 and F160695 Coin Meter; 2 of item 7 must be ordered and installed onto the coin meter assembly
	F200005204	Coin Meter Assembly	EC and EP models; 1 and 5 rand; Includes items 1-6 and F160698 Coin Meter; 2 of item 7 must be ordered and installed onto the coin meter assembly
	F200005205	Coin Meter Assembly	EC and EP models; 1 and 5 shekel; Includes items 1-6 and F160715 Coin Meter; 2 of item 7 must be ordered and installed onto the coin meter assembly
	N/A	Coin Meter Assembly	EC and EP models; U.S. \$1.00 and .25; Includes items 1-6, 11 and F0160730-00 Coin Meter; 2 of item 7 must be ordered and installed onto the coin meter assembly
	F200005207	Coin Meter Assembly	EC and EP models; 100 and 500 peseta; Includes items 1-6; 2 of item 7 must be ordered and installed onto the coin meter assembly
	F200005208	Coin Meter Assembly	EC and EP models; .50 and 2 euro; Includes items 1-6, 12 and F0160736-00 Coin Meter; 2 of item 7 must be ordered and installed onto the coin meter assembly
	F200005209	Coin Meter Assembly	EC and EP models; Canada 1.00 and .25; Includes items 1-6, 11 and F0160740-00 Coin Meter; 2 of item 7 must be ordered and installed onto the coin meter assembly
	F200005210	Coin Meter Assembly	VC models; U.S. \$1.00 and .25; 220 Volt; Includes items 1-6
	F200005211	Coin Meter Assembly	VC models; Canada 1.00 and .25; 220 Volt; Includes items 1-6
	F200005212	Coin Meter Assembly	VC models; 100 and 500 yen; 220 Volt; Includes items 1-6
11	F0231595-00	Coin Meter Decal	U.S. \$1.00 and .25
12	N/A	Coin Meter Decal	.50 and 2.00 euro

N/A = Part no longer available

W2000 Coin Meter Assembly - PC Models



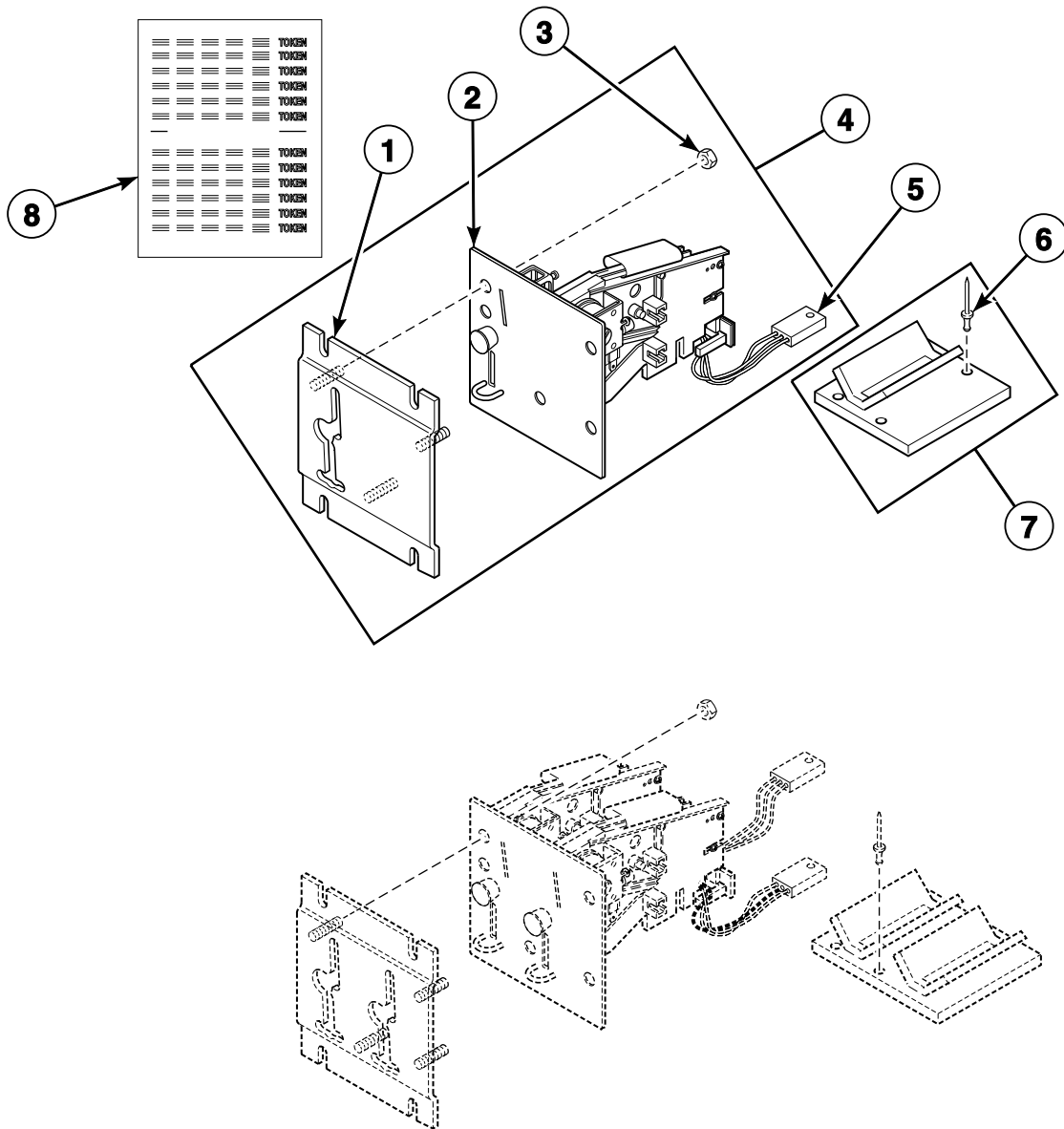
CHM2690P_F232173

W2000 Coin Meter Assembly - PC Models

REF	PART NO.	DESCRIPTION	COMMENTS
1	F140571	Male Connector	
2	00430	Female Pin Terminal	
3	F775801-02P	Optic Switch Kit	Includes items 1 and 2
4	F160466P	Coin Meter Blocking Coil	120 Volt
	F160467P	Coin Meter Blocking Coil	220 Volt
5	F200002500P	Coin Guide Assembly	Includes item 6; Models through 11/95
	F200002502P	Coin Guide Assembly	Includes item 6; Models starting 12/95
6	F431215	Pop Rivet	
7	F200005800	Coin Meter Assembly	U.S. \$.25; 120 Volt; Includes items 1-4, 9-11 and F775302-03P Coin Meter Kit
	F200005801	Coin Meter Assembly	10 Taiwan; 120 Volt; Includes items 1-4, 9-11 and F200115001 Coin Meter Assembly
	F200005802	Coin Meter Assembly	.880 token; 220 Volt; Includes items 1-4, 9-11 and F160692 Coin Meter
	F200005803	Coin Meter Assembly	.990 token; 120 Volt; Includes items 1-4, 8-11 and F200115003 Coin Meter Assembly
	F200005804	Coin Meter Assembly	.990 token; 220 Volt; Includes items 1-4, 9-11 and F160717 Coin Meter
	F200005805	Coin Meter Assembly	U.S. \$.25; 220 Volt; Includes items 1-4, 8-11 and F160718 Coin Meter
	F200005806	Coin Meter Assembly	.08 jeton; 220 Volt; Includes items 1-4, 9-11 and F160719 Coin Meter
	F200005807	Coin Meter Assembly	.800 token; 120 Volt; Includes items 1-4, 9-11 and F0160735-00 Coin Meter
	F200005808	Coin Meter Assembly	500 wan and yen; 120 Volt; Includes items 1-4, 9-11 and F0160739-00 Coin Meter
	F200005809	Coin Meter Assembly	.800 token; 220 Volt; Includes items 1-4, 9-11
	F200005810	Coin Meter Assembly	500 wan and yen; 220 Volt; Includes items 1-4, 9-11
F200005811	Coin Meter Assembly	10 Taiwan; 220 Volt; Includes items 1-4, 9-11	
8	F231010	Coin Meter Insert Decal	.25 insert
9	F608925	Coin Meter Insert	
10	N/A	Washer	
11	F430243	Nut	

N/A = Part no longer available

Flush Mount Coin Meter Assembly - Single Drop NC and NX Models



CHM2366P_F232173

Flush Mount Coin Meter Assembly - Single Drop NC and NX Models

REF	PART NO.	DESCRIPTION	COMMENTS
1	F0636707-00	Mounting Bracket Assembly	
2	38464P	Coin Drop Assembly	Canada .25
	N/A	Coin Drop Assembly	Australia .20
	N/A	Coin Drop Assembly	Belgium 5 franc
	N/A	Coin Drop Assembly	Denmark 2 krone
	N/A	Coin Drop Assembly	United Kingdom 20 pence
	N/A	Coin Drop Assembly	France 2 franc
	N/A	Coin Drop Assembly	Hong Kong 5 dollar
	N/A	Coin Drop Assembly	Italy 500 lirraiget
	N/A	Coin Drop Assembly	Japan 100 yen
	N/A	Coin Drop Assembly	Korea 500 won
	N/A	Coin Drop Assembly	South Africa 2 rand
	N/A	Coin Drop Assembly	Spain 100 peseta
	N/A	Coin Drop Assembly	Thailand 10 baht
	N/A	Coin Drop Assembly	.886 token
	N/A	Coin Drop Assembly	1.000 token
	N/A	Coin Drop Assembly	Jeton 08 token
	70441601P	Coin Drop	U.S. \$.25
	N/A	Coin Drop Assembly	.800 token
	38462P	Coin Drop Assembly	Token; 118-1; .880 diameter x .079 thick; Brass
	38463	Coin Drop Assembly	Token; 118-5; .990 diameter x .081 thick; Silver
	N/A	Coin Meter Assembly	Jeton WH121 token
	N/A	Coin Meter	Jeton .08 token
3	685846	Nut	
4	F20001000P	Coin Meter Assembly	U.S. \$.25; Includes items 1-3
	F200010006	Coin Meter Assembly	.800 token; Includes items 1-3
	F200010007	Coin Meter Assembly	.880 token; Includes items 1-3
	F200010009	Coin Meter Assembly	.990 token; Includes items 1-3
	F200010011	Coin Meter Assembly	Jeton WH121 token; Includes items 1-3
	F200010012	Coin Meter Assembly	Jeton .08 token; Includes items 1-3
5	200674P	Opto Coupler	
6	F431215	Pop Rivet	
7	F200002504P	Coin Guide Assembly	Includes item 6
8	38725	Coin Identification Paper	

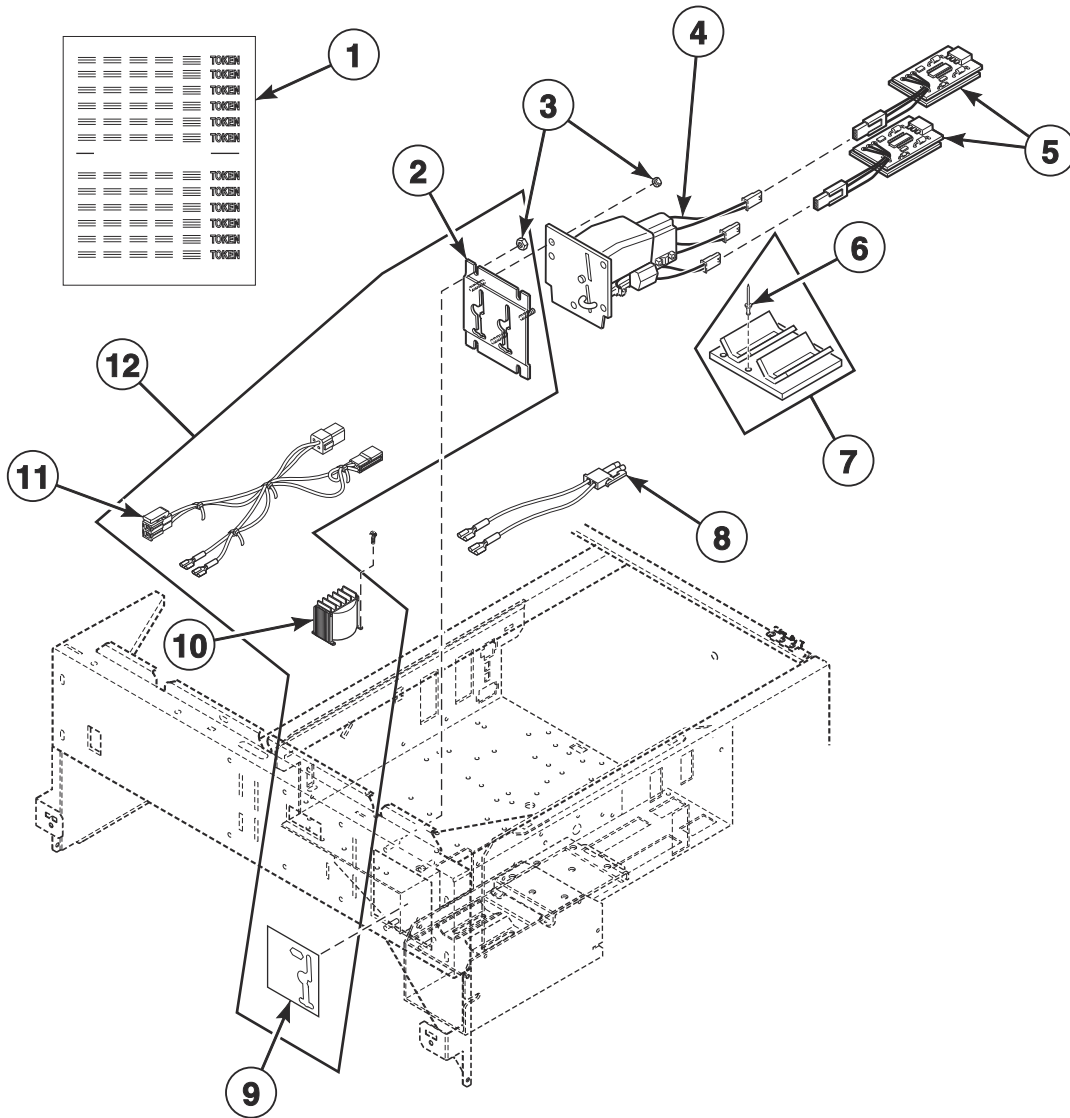
N/A = Part no longer available

Flush Mount Coin Meter Assembly - Dual Drop NC and NX Models

REF	PART NO.	DESCRIPTION	COMMENTS
1	685846	Nut	
2	F200010001	Coin Meter Assembly	Australia .20 and 1.00; Includes items 1, 6 and 7
	F200010002	Coin Meter Assembly	100 and 500 yen; Includes items 1, 6 and 7
	F200010003	Coin Meter Assembly	Canada 1.00 and .25; Includes items 1, 6 and 7
	F200010004	Coin Meter Assembly	New Zealand .20 and 1.00; Includes items 1, 6 and 7
	F200010005P	Coin Meter Assembly	U.S. \$1.00 and .25; Includes items 1, 6 and 7
	F200010008	Coin Meter Assembly	.50 and 2.00 euro; Includes items 1, 6 and 7
	F200010010	Coin Meter Assembly	10 and 50 Taiwan; Includes items 1, 6 and 7
3	200674P	Opto Coupler	
4	F431215	Pop Rivet	
5	F200002505	Coin Guide Kit	Includes item 4
6	N/A	Coin Meter	10 and 50 Taiwan
	N/A	Coin Meter	Belgium 5 and 20 franc
	N/A	Coin Meter	Denmark 1 and 5 krone
	N/A	Coin Meter	Denmark 5 and 10 krone
	38472	Coin Drop Assembly	United Kingdom 20 pence and 1 pound
	N/A	Coin Meter	.20 and .50 euro
	210195	Coin Drop Assembly	.20 and 1.00 euro
	210196	Coin Drop Assembly	.50 and 1.00 euro
	N/A	Coin Meter	2 and 5 franc
	N/A	Coin Meter	2 and 10 franc
	39157	Coin Drop Assembly	Israel 1 and 5 shekel
	38521	Coin Drop Assembly	Korea 100 and 500 won
	N/A	Coin Meter	Spain 100 and 500 peseta
	N/A	Coin Drop Assembly	Australia .20 and 1.00
	N/A	Coin Drop Assembly	Japan 100 and 500 yen
	N/A	Coin Drop Assembly	Canada 1.00 and .25
	N/A	Coin Drop Assembly	New Zealand .20 and 1.00
	70256402P	Coin Drop	U.S. \$1.00 and .25
	F0160737-00	Coin Meter	.50 and 2.00 euro
	70281102	Coin Drop Assembly	10 and 50 Taiwan dollar
N/A	Coin Meter	Taiwan 5 and 10 dollar	
7	F635319	Mounting Bracket Assembly	

N/A = Part no longer available

Electronic Coin Meter Assembly - NC and NX Models



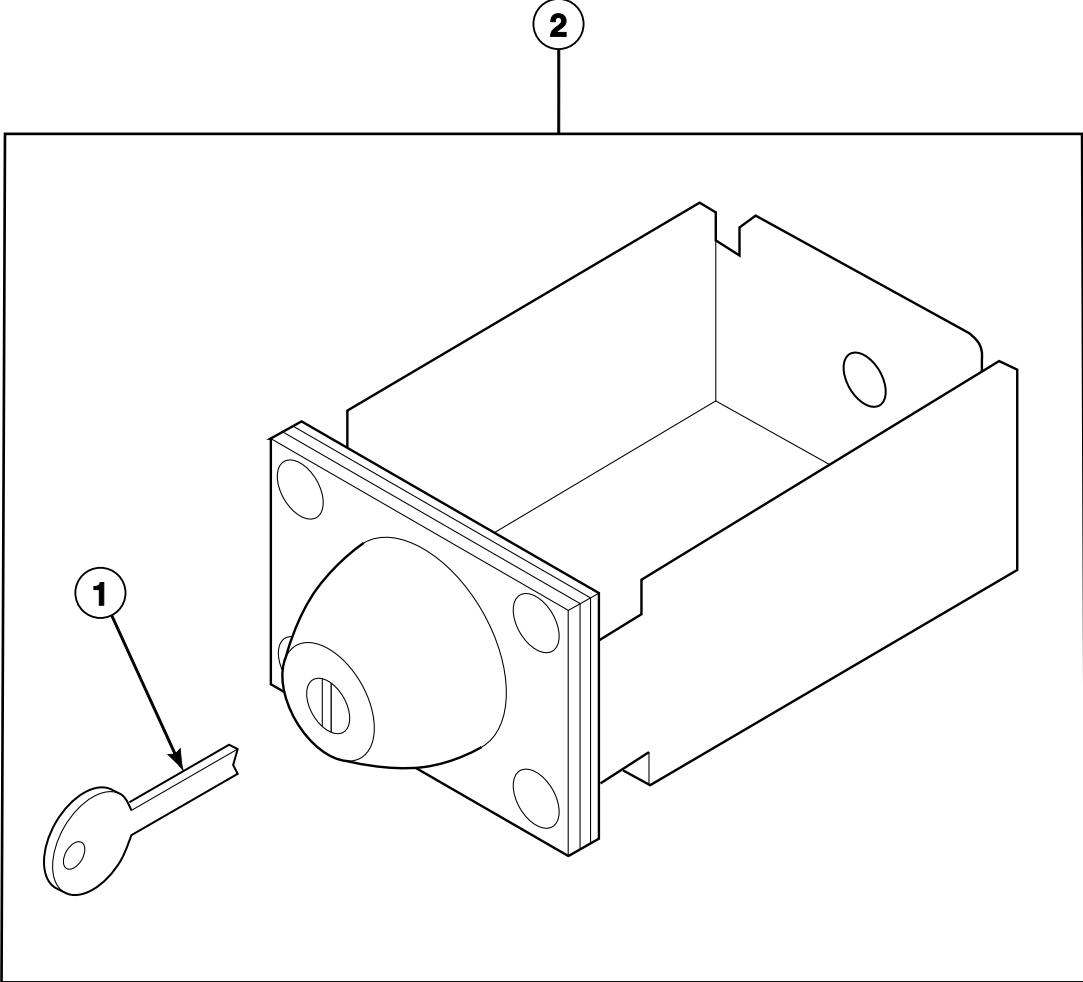
CHM3146P_F232173

Electronic Coin Meter Assembly - NC and NX Models

REF	PART NO.	DESCRIPTION	COMMENTS
1	38725	Coin Identification Paper	
2	F635319	Mounting Bracket Assembly	
3	685846	Nut	
4	70294101P	Electronic Coin Drop Assembly	U.S., Canada, Japan and Taiwan
	CK115	Electronic Coin Drop Kit	U.S. and Canada; Includes item 1*
	CK113	Electronic Coin Drop Kit	Japan and Taiwan; Includes item 1*
	CK099	Electronic Coin Drop Kit	Australia, New Zealand, Hong Kong and South Korea; Includes item 1*
	70294103P	Electronic Coin Drop Assembly	United Kingdom and Euro
	CK100	Electronic Coin Drop Kit	United Kingdom and Euro; Includes item 1*
	70294104	Electronic Coin Drop Assembly	Denmark, Norway and Euro
	CK101	Electronic Coin Drop Kit	Denmark, Norway and Euro; Includes item 1*
	70294106	Electronic Coin Drop Assembly	Mexico, Ecuador and U.S.
	CK109	Electronic Coin Drop Kit	.10-2.00 euro; Includes item 1*
	70294111	Electronic Coin Drop Assembly	.10-2.00 euro
	CK110	Electronic Coin Drop Kit	U.S., Ecuador and Mexico; Includes item 1*
	70281102	Coin Drop Assembly	Taiwan
	CK107	Coin Drop Kit	Taiwan; Includes item 1*
	70513308	Electronic Coin Drop Assembly	South Africa
	CK108	Electronic Coin Drop Kit	South Africa; Includes item 1*
	70447301	Coin Drop Assembly	Australia \$1.00, \$2.00
	CK111	Coin Drop Kit	Australia \$1.00, \$2.00; Includes item 1*
	70513310	Electronic Coin Drop Assembly	Japan and Taiwan
	70513311	Electronic Coin Drop Assembly	China and Malaysia
	CK116	Electronic Coin Drop Kit	China and Malaysia; Includes item 1*
	70513312	Electronic Coin Drop Assembly	Russian
	CK117	Electronic Coin Drop Kit	Russian; Includes item 1*
	70513313	Electronic Coin Drop Assembly	Philippine
	CK118	Electronic Coin Drop Kit	Philippine; Includes item 1*
	70513314	Electronic Coin Drop Assembly	Thailand
	CK119	Electronic Coin Drop Kit	Thailand; Includes item 1*
	70513315	Electronic Coin Drop Assembly	Chile
	CK120	Electronic Coin Drop Kit	Chile; Includes item 1*
	70513316	Electronic Coin Drop Assembly	Singapore .10, .20, .50, 1.00
	CK121	Electronic Coin Drop Kit	Singapore .10, .20, .50, 1.00; Includes item 1*
	70482401	Coin Drop Assembly	New Zealand
CK122	Coin Drop Kit	New Zealand; Includes item 1*	
70506901	Coin Drop Assembly	Singapore \$1.00SGD	
CK123	Coin Drop Kit	Singapore \$1.00SGD; Includes item 1*	
5	F8034701P	Pulse Expander Assembly	
6	F431215	Pop Rivet	
7	F200002505	Coin Guide Kit	Dual drop; Includes item 6
8	F0637798-00	Harness	
9	70295101	Overlay	SC models; Black
	70295301	Overlay	DC and HC models; Gray
10	803527P	Transformer	
11	F200008700	Access Transformer Harness	
12	CK500	Electronic Coin Drop Kit	Includes items 2, 3 and 9-11

* NOTE: Requires CK500 Electronic Coin Drop Kit for installation.

Coin Box - MC, MD, MH, MV, MX, PC and VC Models (Optional)



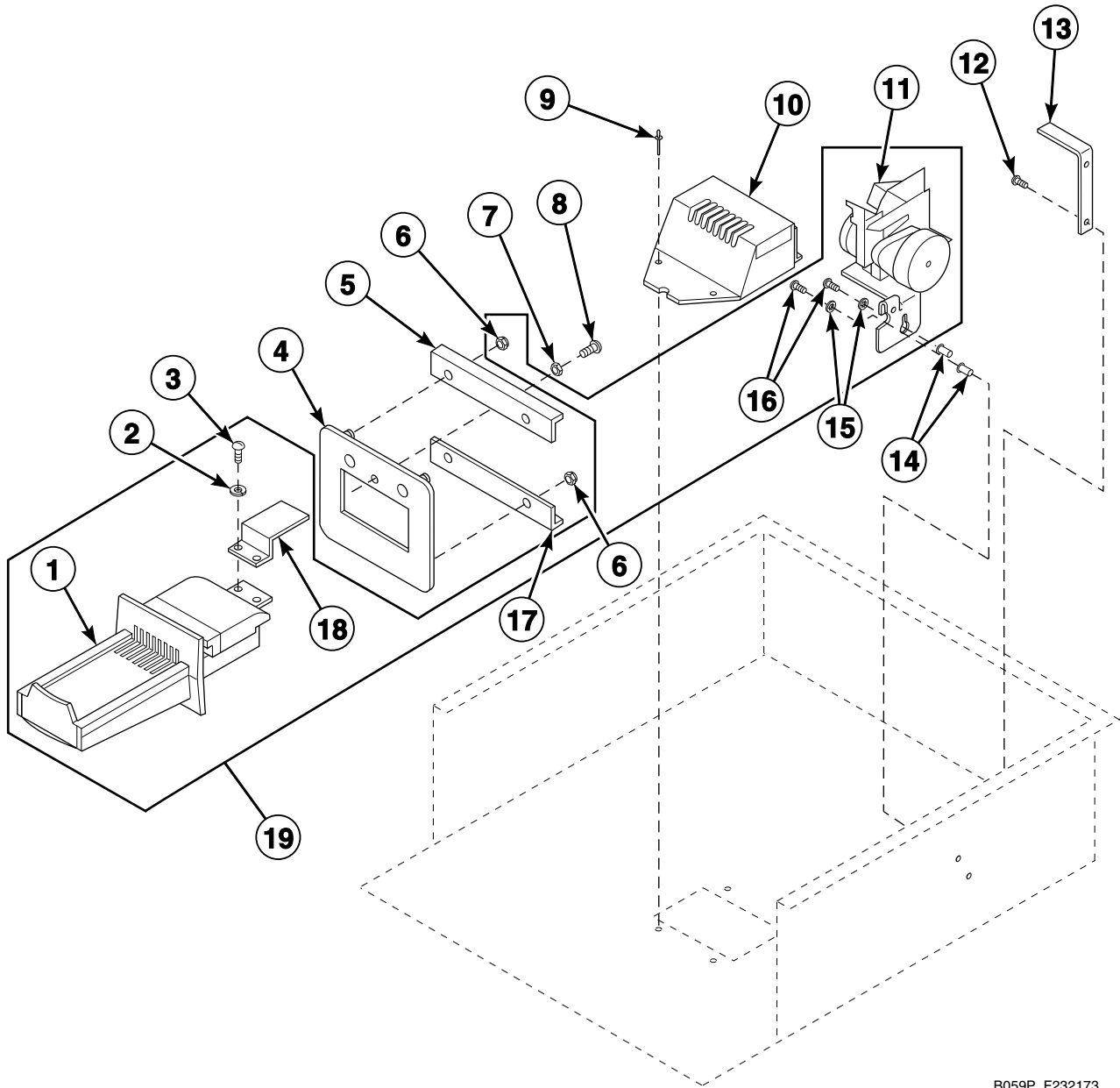
CHM1764P_F232173

Coin Box - MC, MD, MH, MV, MX, PC and VC Models (Optional)

REF	PART NO.	DESCRIPTION	COMMENTS
1	F160582	Key	UG11
	N/A	Key	UG12
	N/A	Key	UG13
	N/A	Key	UG14
	N/A	Key	UG15
	N/A	Key	UG16
	N/A	Key	UG17
	N/A	Key	UG18
	N/A	Key	UG19
	N/A	Key	UG20
	F160420	Key	UG21
	F160421	Key	UG22
	N/A	Key	UG23
	F160423	Key	UG24
	N/A	Key	UG25
	2	N/A	Coin Box
N/A		Coin Box	UG12; Includes item 1
N/A		Coin Box	UG13; Includes item 1
N/A		Coin Box	UG14; Includes item 1
N/A		Coin Box	UG15; Includes item 1
N/A		Coin Box	UG16; Includes item 1
N/A		Coin Box	UG17; Includes item 1
N/A		Coin Box	UG18; Includes item 1
N/A		Coin Box	UG19; Includes item 1
N/A		Coin Box	UG20; Includes item 1
F160672		Coin Box	UG21; Includes item 1
F160673P		Coin Box	UG22; Includes item 1
N/A		Coin Box	UG23; Includes item 1
N/A		Coin Box	UG24; Includes item 1
N/A		Coin Box	UG25; Includes item 1

N/A = Part no longer available

Vertical Eight Coin Meter Adapter Kit - MC, MD, MH, MV and MX Models Through 3/1/92



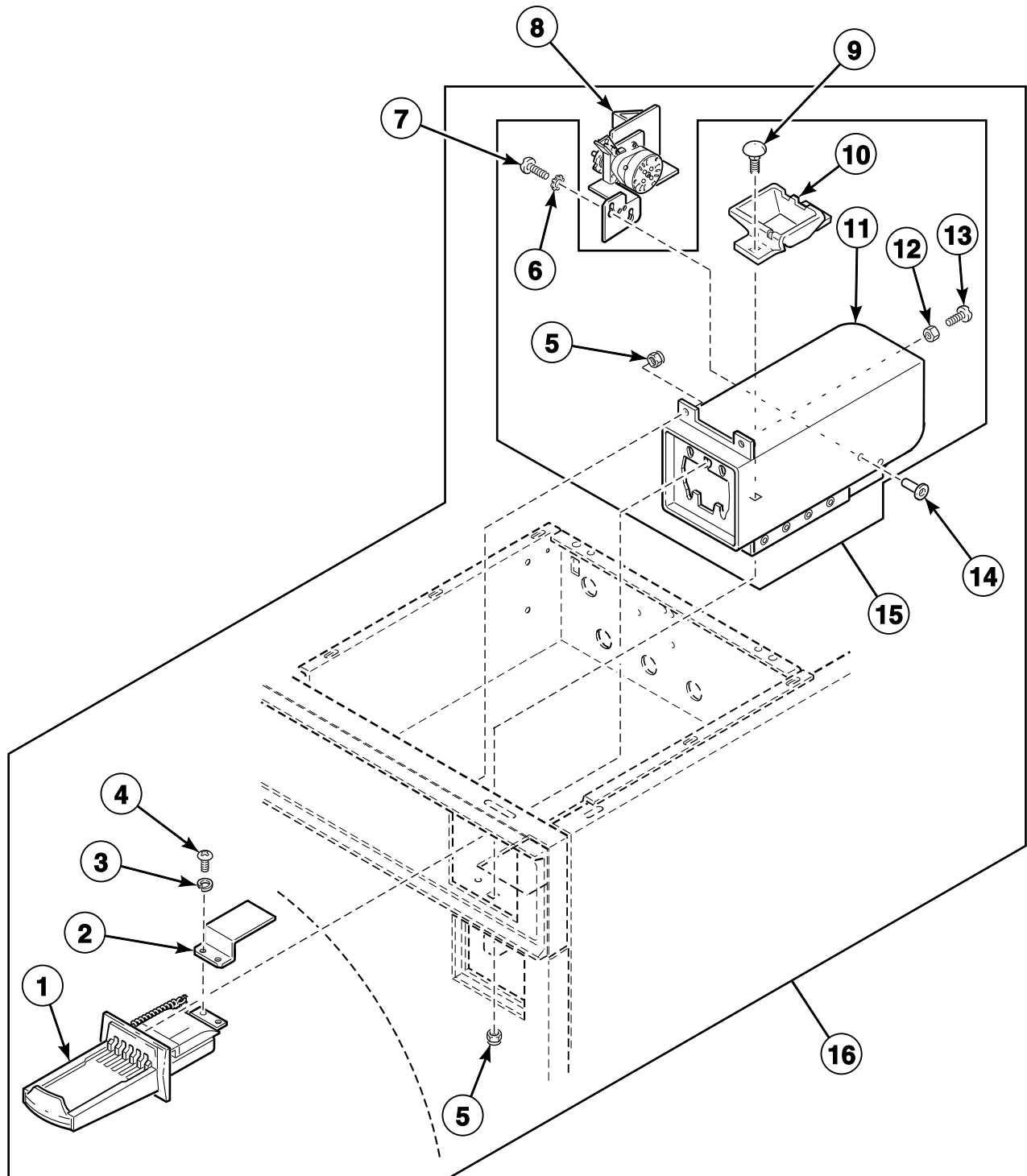
B059P_F232173

Vertical Eight Coin Meter Adapter Kit - MC, MD, MH, MV and MX Models Through 3/1/92

REF	PART NO.	DESCRIPTION	COMMENTS
1	N/A	Coin Chute	
2	F431102	Washer	
3	201415	Screw	
4	F605974	Coin Meter Slide Sub-Assembly	
5	N/A	Coin Guide Bracket	
6	F430215	Nut	
7	F431005	Nut	
8	F430925	Screw	
9	F431209	Pop Rivet	
10	F606651	Coin Catch Funnel Kit	
11	F160650P	Start Control Assembly	120 Volt
	F160651P	Start Control Assembly	220 Volt
12	F430174	Screw	
13	F606005	Bracket	
14	F432213	Nut	
15	F431113	Washer	
16	F430928	Screw	
17	N/A	Coin Guide Bracket	
18	F606006	Coin Slide Extension	
19	N/A	Coin Meter Adapter Kit	With slide; 120 Volt; Includes items 1-3, 6, 11, 15, 16 and 18
	N/A	Coin Meter Adapter Kit	With slide; 220 Volt; Includes items 1-3, 6, 11, 15 and 16

N/A = Part no longer available

Vertical Eight Coin Meter Adapter Kit - MC, MD, MH, MV and MX Models Starting 3/1/92



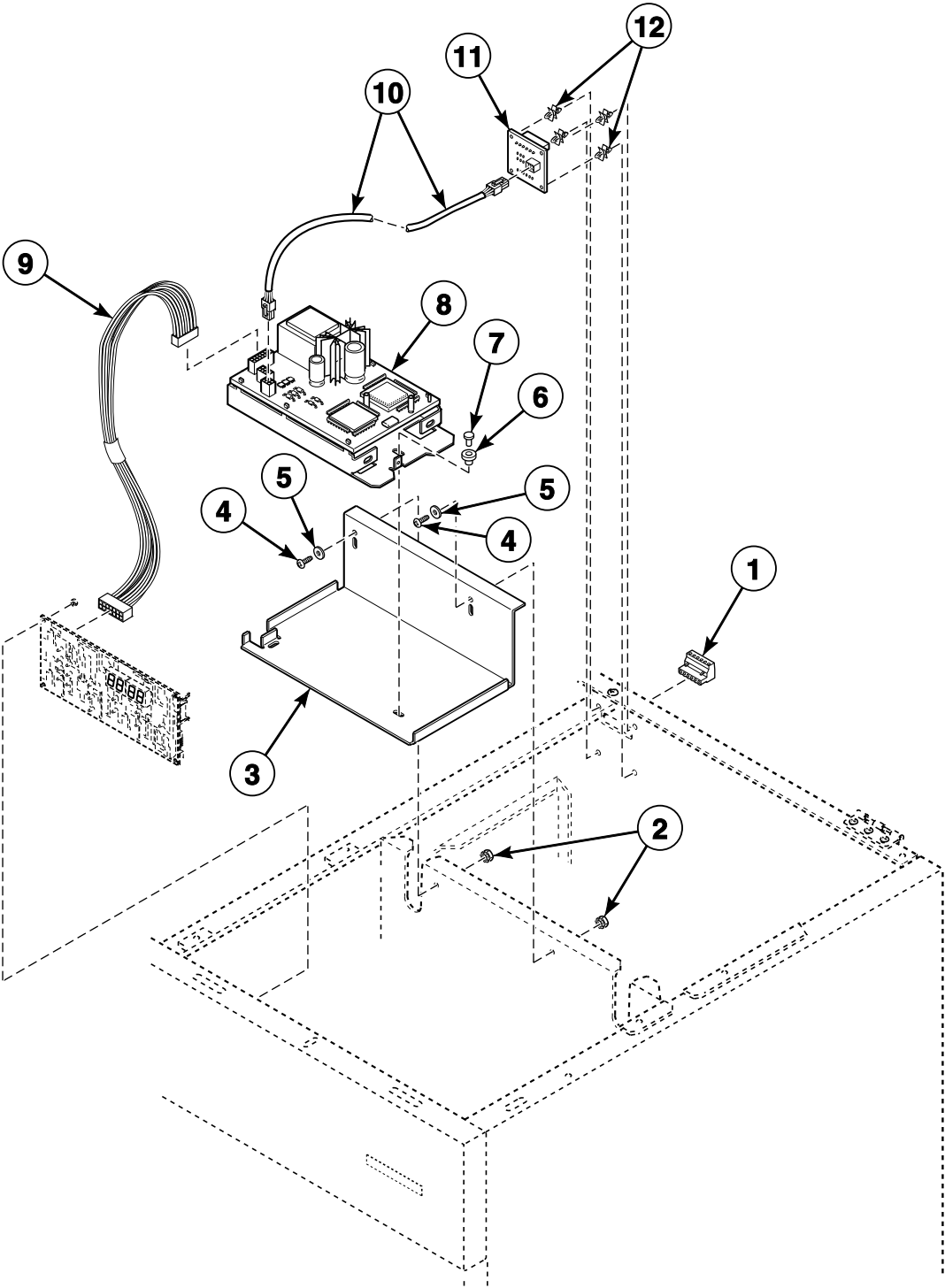
B162P_F232173

Vertical Eight Coin Meter Adapter Kit - MC, MD, MH, MV and MX Models Starting 3/1/92

REF	PART NO.	DESCRIPTION	COMMENTS
1	N/A	Coin Chute	
2	F606006	Coin Slide Extension	
3	F431102	Washer	
4	201415	Screw	
5	F430215	Nut	
6	F431113	Washer	
7	F430928	Screw	
8	F160650P	Start Control Assembly	120 Volt
	F160651P	Start Control Assembly	220 Volt
9	F430969	Bolt	
10	F607535	Coin Funnel Assembly	
11	N/A	Slide Coin Meter Vault Kit	Includes items 2, 4, 5, 9, 10, F430215 Nut and F607234 Slide Coin Meter Vault Assembly
12	F431005	Nut	
13	F430925	Screw	
14	F432213	Nut	
15	N/A	Coin Meter Adapter Kit	120 Volt; Includes items 5-7 and 9-13
	N/A	Coin Meter Adapter Kit	220 Volt; Includes items 5-7 and 9-13
16	N/A	Coin Meter Adapter Kit	120 Volt; Includes items 1-14; With coin slide
	N/A	Coin Meter Adapter Kit	220 Volt; Includes items 1-14; With coin slide

N/A = Part no longer available

Network Controls and Card Reader - NC, NP, NR and NX Models



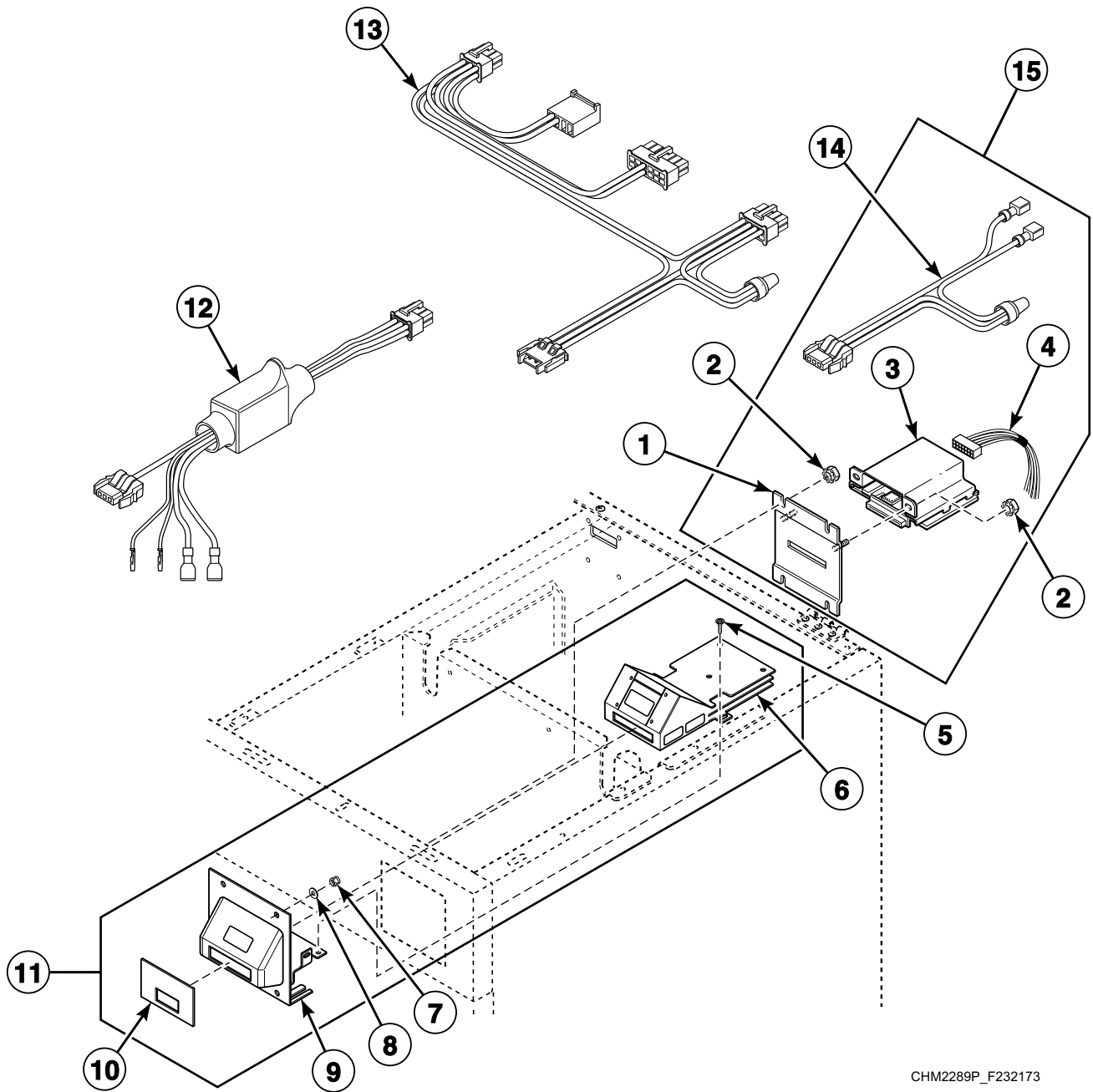
CHM2314P_F232173

Network Controls and Card Reader - NC, NP, NR and NX Models

REF	PART NO.	DESCRIPTION	COMMENTS
1	210099	Communication Connector	
2	F430232	Nut	
3	F634769	Network Interface Control Mounting Bracket	
4	F430903	Screw	
5	F430311	Washer	
6	F170607	Grommet	
7	F432005	Rivet	
8	210016P	Network Board Assembly	
9	F141886	Network Board Harness	
10	N/A	Network Interface Harness	HC50, NC50 and SC50 models
	F141888	Network Interface Harness	All other models
11	210095P	Communication Board	
12	F180506	Standoff	

N/A = Part no longer available

Card Reader - EP, NP and NR Models



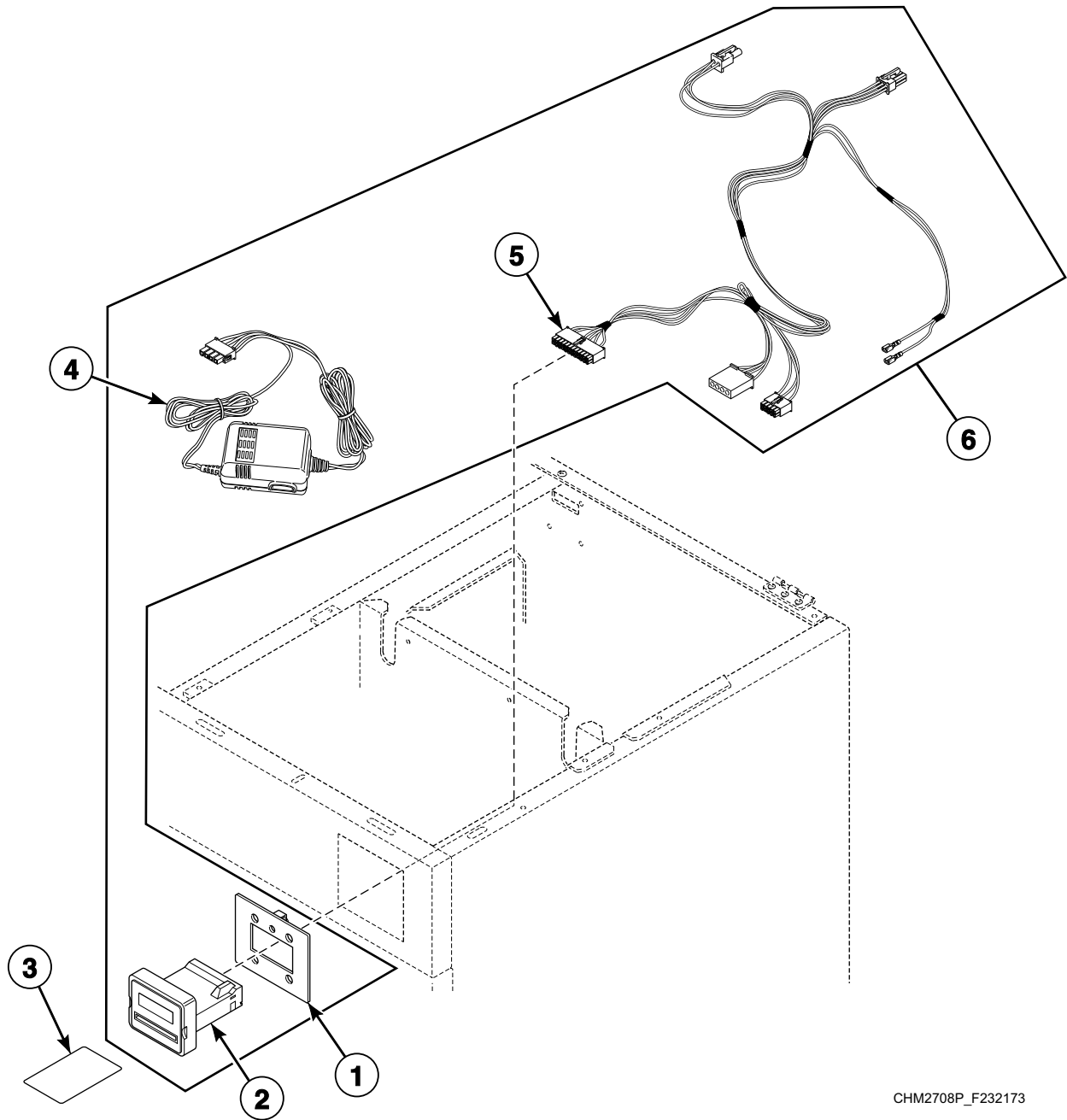
CHM2289P_F232173

Card Reader - EP, NP and NR Models

REF	PART NO.	DESCRIPTION	COMMENTS
1	F635320	Mounting Bracket Assembly	
2	F431017	Nut	
3	D510068P	Card Reader and Bracket Assembly	
4	F141887	Card Reader Harness	Non-network models
	F141889	Card Reader Harness	Network models
5	F430174	Screw	
6	39685P	Card Reader	
7	F430215	Nut	
8	F430311	Washer	
9	N/A	Nosecone	
10	F231384-1	Cardmate Plus Decal	SC models
	F231384-2	Cardmate Plus Decal	HC models
11	F200023500	Cardmate Plus Assembly	SCxxEP models; Includes items 5-10
	F200023502	Cardmate Plus Assembly	SCxxNP models; Includes items 5-10
	F200023503	Cardmate Plus Assembly	HCxxNP models; Includes items 5-10
12	F141867	Wire Harness	EP models
13	F141895	Card Reader Harness Assembly	EP models
14	F631973-2	Harness	Access; NP and NR models
15	F200019900	Card Reader Assembly	NR models; Non-network models; Includes items 1-4 and 14
	F200019901	Card Reader Assembly	NR models; Network models; Includes items 1-4 and 14

N/A = Part no longer available

Card Reader Kit - EP, NP and NR Models

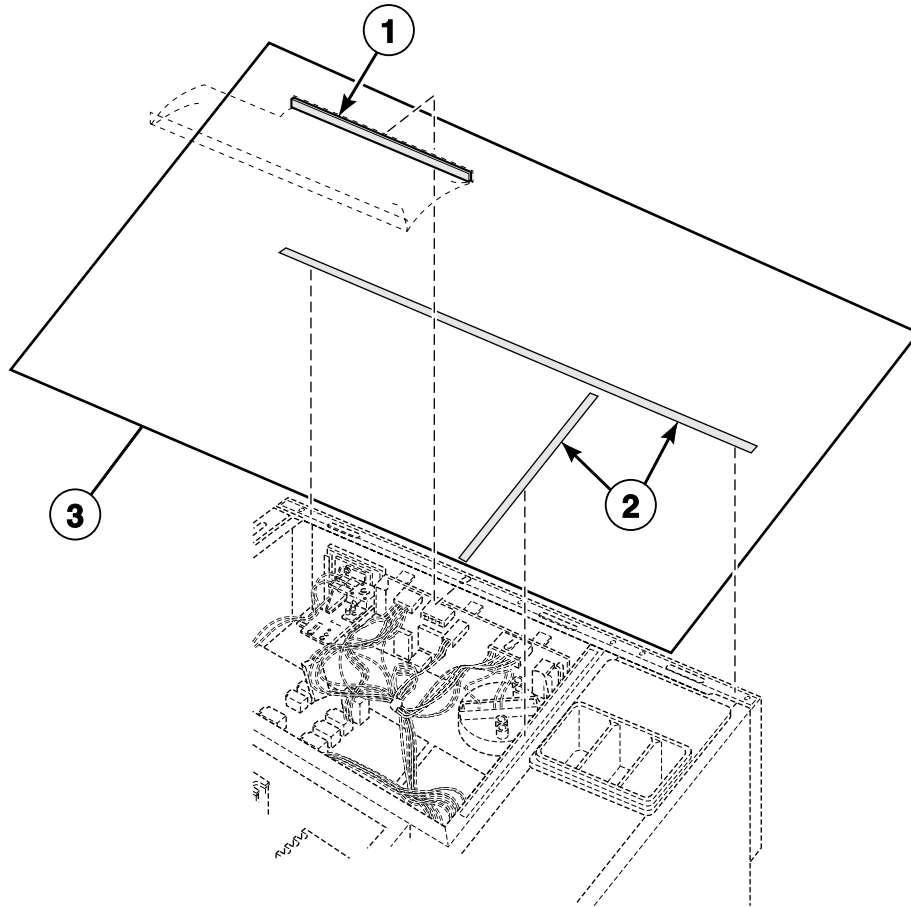


CHM2708P_F232173

Card Reader Kit - EP, NP and NR Models

REF	PART NO.	DESCRIPTION	COMMENTS
1	D512506	Mounting Plate Assembly	
2	D512473	Card Reader	
3	D512499P	Programming Card	
4	D512496	Power Supply	120 Volt
	D512497	Power Supply	220 Volt
5	D512500	Harness	EP models
	D512502	Harness	NP and NR models
6	F878P3	Card Reader Kit	EP models; Includes items 1, 2, 4 and 5
	F886P3	Card Reader Kit	NP and NR models; 120 Volt; Includes items 1, 2, 4 and 5
	F884P3	Card Reader Kit	NP and NR models; 220 Volt; Includes items 1, 2, 4 and 5

Oversuds Protection Kit - EC, EP, EX, NC, NP, NR and NX Models

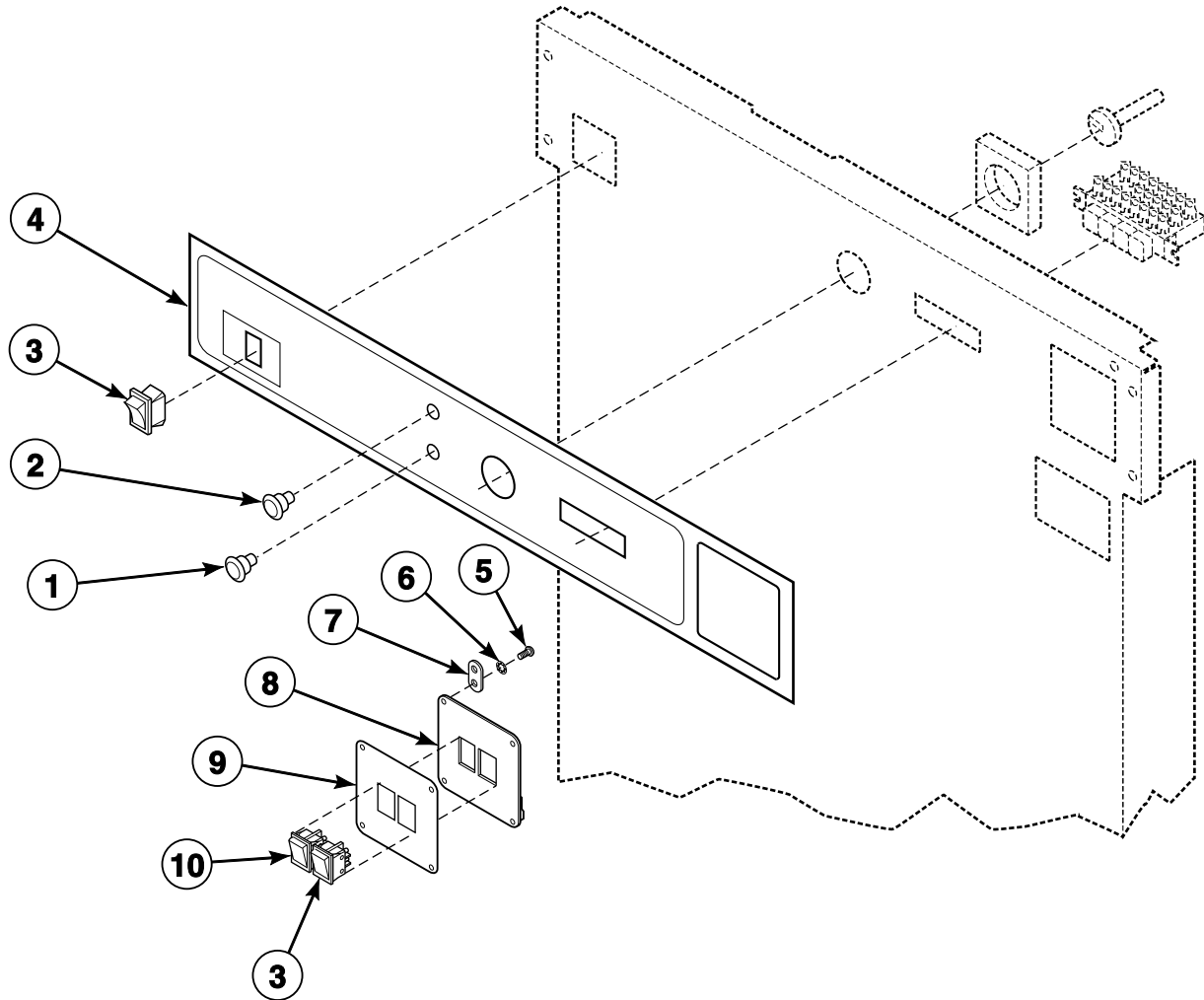


CHM2828P_F232173

Oversuds Protection Kit - EC, EP, EX, NC, NP, NR and NX Models

REF	PART NO.	DESCRIPTION	COMMENTS
1	F0140439-00	Drip Shield	
2	F170128	Sponge Rubber	7 feet
3	F798813	Oversuds Protection Kit	Includes items 1 and 2

Graphic Panel and Controls - For Newer MC, MD, MH, MN, MV and MX Models without Extrusion



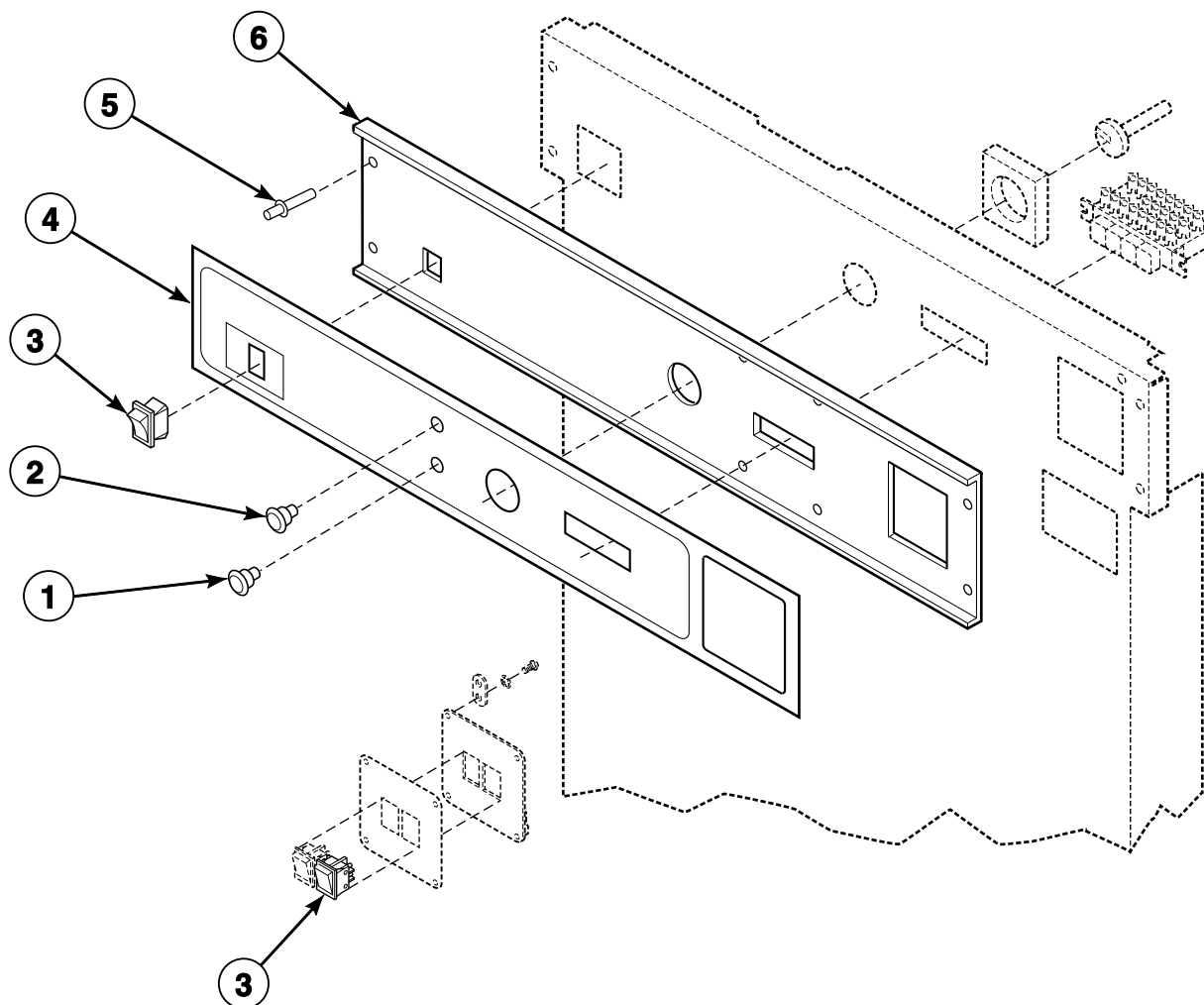
CHM1282P_F232173

Graphic Panel and Controls - For Newer MC, MD, MH, MN, MV and MX Models without Extrusion

REF	PART NO.	DESCRIPTION	COMMENTS
	F798703	Bleach Light Kit	120 Volt; Models through 6/99
	F798705	Mechanical Timer Harness Kit	120 Volt; Includes item 2; Models through 6/99
	F798704	Bleach Light Kit	220 Volt; Models through 6/99
	F730016P	Start/Stop Kit	
1	F350420	Light	Green; 120 Volt
	F350422	Light	Green; 220 Volt
	F350412	Light	Red; 120 Volt
	F350404	Signal Light	Red; 220 Volt
2	F350430	Light	Clear; 120 Volt
	F350431	Light	Clear; 220 Volt
	F350411	Light	Amber; 120 Volt
	F350413	Light	Amber; 220 Volt
3	F200120100	Momentary Switch	MN models
4	F231476	Control Panel Decal	SC18 and SC25 coin models
	F231477	Control Panel Decal	SC27 coin models
	F231478	Control Panel Decal	SC35 coin models
	F231479	Control Panel Decal	SC50 coin models
	F231472	Control Panel Decal	Models SC18MN2 and SC25MN2
	F231473	Control Panel Decal	Model SC27MN2
	N/A	Control Panel Decal	Model SC35MN2
	F231475	Control Panel Decal	Model SC50MN2
	N/A	Control Panel Decal	UC18 coin models
	N/A	Control Panel Decal	UC25 coin models
	F231255	Control Panel Decal	UC27 coin models
	F230845	Control Panel Decal	UC35 coin models
	F230846	Control Panel Decal	UC50 coin models
	F0231617-00	Control Panel Decal	Models UC18MN2 and UC25MN2
	F0231609-00	Control Panel Decal	Model UC27MN2
	F231487	Control Panel Decal	Model UC35MN2
	F231488	Control Panel Decal	Model UC50MN2
	F231541	Control Panel Decal	HC18 and HC25 coin models
	F231542	Control Panel Decal	HC27 coin models
	F231543	Control Panel Decal	HC35 coin models
	F231544	Control Panel Decal	HC50 coin models
	F231537	Control Panel Decal	Model HC18MN2
	F231244	Control Panel Decal	Model HC25MN2
	F231538	Control Panel Decal	Model HC27MN2
	F231539	Control Panel Decal	Model HC35MN2
	F231540	Control Panel Decal	Model HC50MN2
5	F430173	Screw	OPL models
6	F431106	Washer	OPL models
7	F601515	Clip	OPL models
8	F633092-1	Switch Plate Sub-Assembly	OPL models
9	F230918	Switch Panel Assembly Decal	UC OPL models
	F230918-2	Switch Panel Decal	SC OPL models
	F231448	Switch Panel Decal	HC OPL models
10	F340411	Rocker Switch	Red; OPL models

N/A = Part no longer available

Graphic Panel and Controls - For Older MC, MD, MH, MN, MV and MX Models with Extrusion (Drawing 1 of 2)



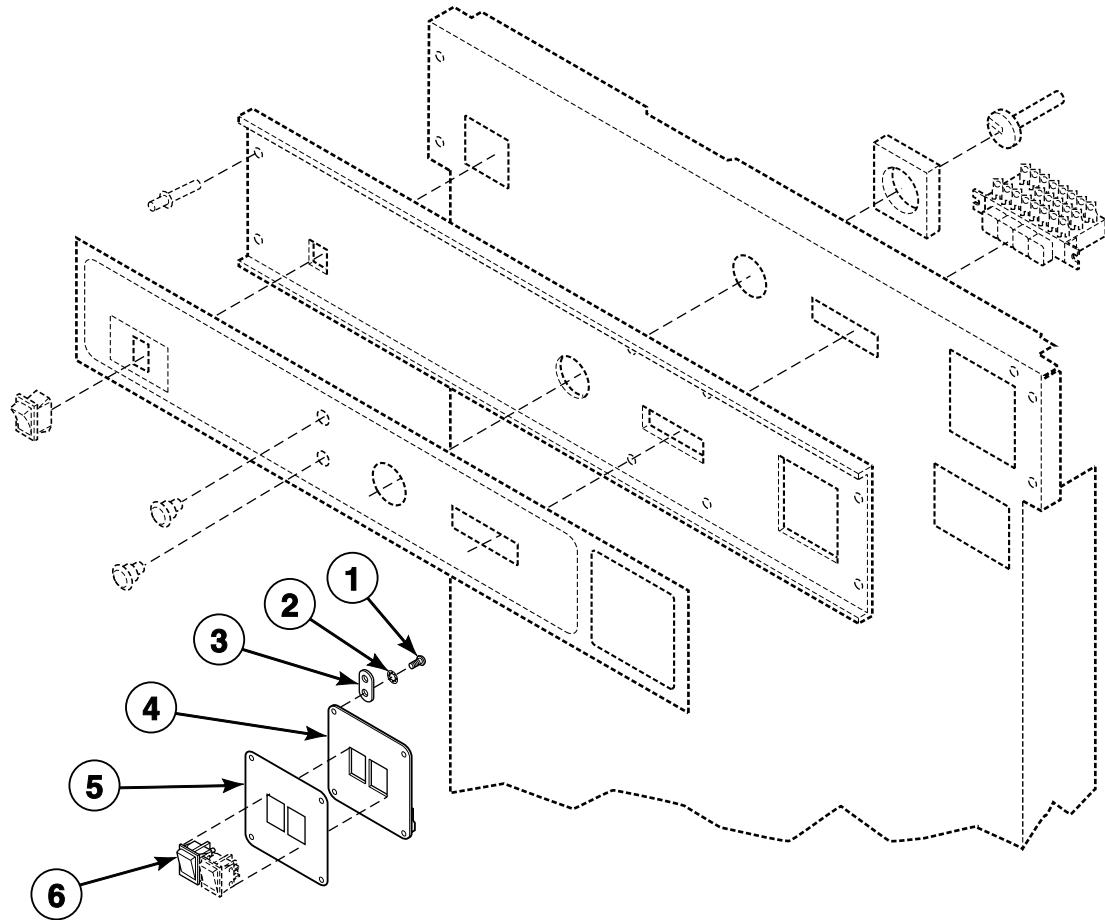
CHM1625P_F232173

Graphic Panel and Controls - For Older MC, MD, MH, MN, MV and MX Models with Extrusion (Drawing 1 of 2)

REF	PART NO.	DESCRIPTION	COMMENTS
	F798703	Bleach Light Kit	120 Volt; Models through 6/99
	F798705	Mechanical Timer Harness Kit	120 Volt; Includes item 2; Models through 6/99
	F798704	Bleach Light Kit	220 Volt; Models through 6/99
	F730016P	Start/Stop Kit	
1	F350420	Light	Green; 120 Volt
	F350422	Light	Green; 220 Volt
	F350412	Light	Red; 120 Volt
	F350404	Signal Light	Red; 220 Volt
2	F350430	Light	Clear; 120 Volt
	F350431	Light	Clear; 220 Volt
	F350411	Light	Amber; 120 Volt
	N/A	Signal Light	Amber; 220 Volt
3	F200120100	Momentary Switch	MN models
4	F231476	Control Panel Decal	SC18 and SC25 coin models
	F231477	Control Panel Decal	SC27 coin models
	F231478	Control Panel Decal	SC35 coin models
	F231479	Control Panel Decal	SC50 coin models
	F231472	Control Panel Decal	Models SC18MN2 and SC25MN2
	F231473	Control Panel Decal	Model SC27MN2
	N/A	Control Panel Decal	Model SC35MN2
	F231475	Control Panel Decal	Model SC50MN2
	N/A	Control Panel Decal	UC18 coin models
	N/A	Control Panel Decal	UC25 coin models
	F231255	Control Panel Decal	UC27 coin models
	F230845	Control Panel Decal	UC35 coin models
	F230846	Control Panel Decal	UC50 coin models
	F0231617-00	Control Panel Decal	Models UC18MN2 and UC25MN2
	F0231609-00	Control Panel Decal	Models HC35MN2 and UC27MN2
	F231487	Control Panel Decal	Model UC35MN2
	F231488	Control Panel Decal	Model UC50MN2
	F231541	Control Panel Decal	HC18 and HC25 coin models
	F231542	Control Panel Decal	HC27 coin models
	F231543	Control Panel Decal	HC35 coin models
	F231544	Control Panel Decal	HC50 coin models
	F231537	Control Panel Decal	Model HC18MN2
	F231244	Control Panel Decal	Model HC25MN2
	F231538	Control Panel Decal	Model HC27MN2
	F231540	Control Panel Decal	Model HC50MN2
5	F431210	Pop Rivet	
6	N/A	Extrusion Panel	HC18, SC18 and UC18 models
	N/A	Extrusion Control Panel	HC27, SC27 and UC27 models
	N/A	Extrusion Panel	HC35, SC35 and UC35 models
	N/A	Extrusion Panel	HC50, SC50 and UC50 models

N/A = Part no longer available

Graphic Panel and Controls - For Older MC, MD, MH, MN, MV and MX Models with Extrusion (Drawing 2 of 2)

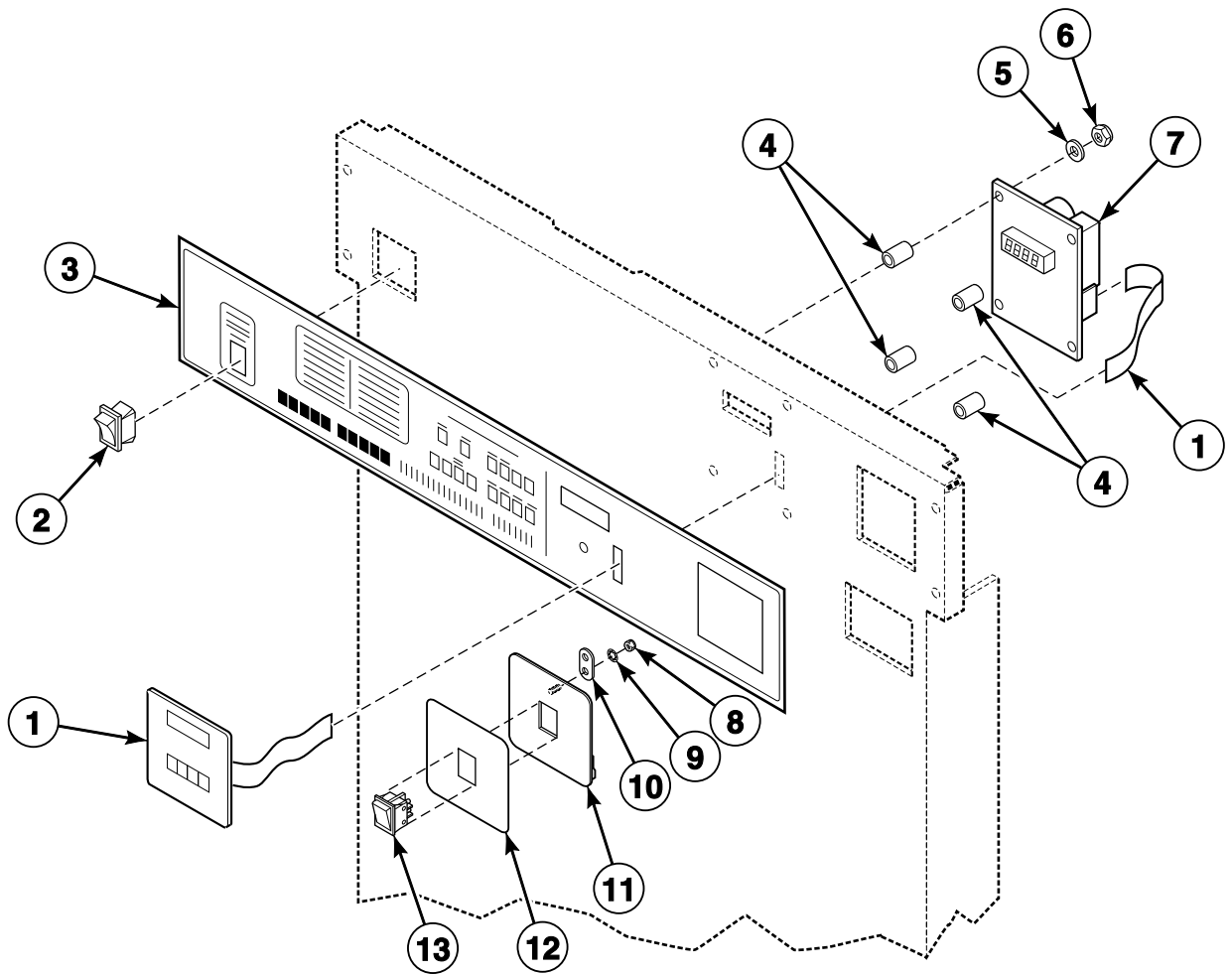


CHM1625PA_F232173

Graphic Panel and Controls - For Older MC, MD, MH, MN, MV and MX Models with Extrusion (Drawing 2 of 2)

REF	PART NO.	DESCRIPTION	COMMENTS
1	F430173	Screw	OPL models
2	F431106	Washer	OPL models
3	F601515	Clip	OPL models
4	F633092-1	Switch Plate Sub-Assembly	OPL models
5	F230918-2	Switch Panel Decal	SC OPL models
	F230918	Switch Panel Assembly Decal	UC OPL models
	F231448	Switch Panel Decal	HC OPL models
6	F340411	Rocker Switch	Red; OPL models

Graphic Panel and Controls - PN, SN and VN Models



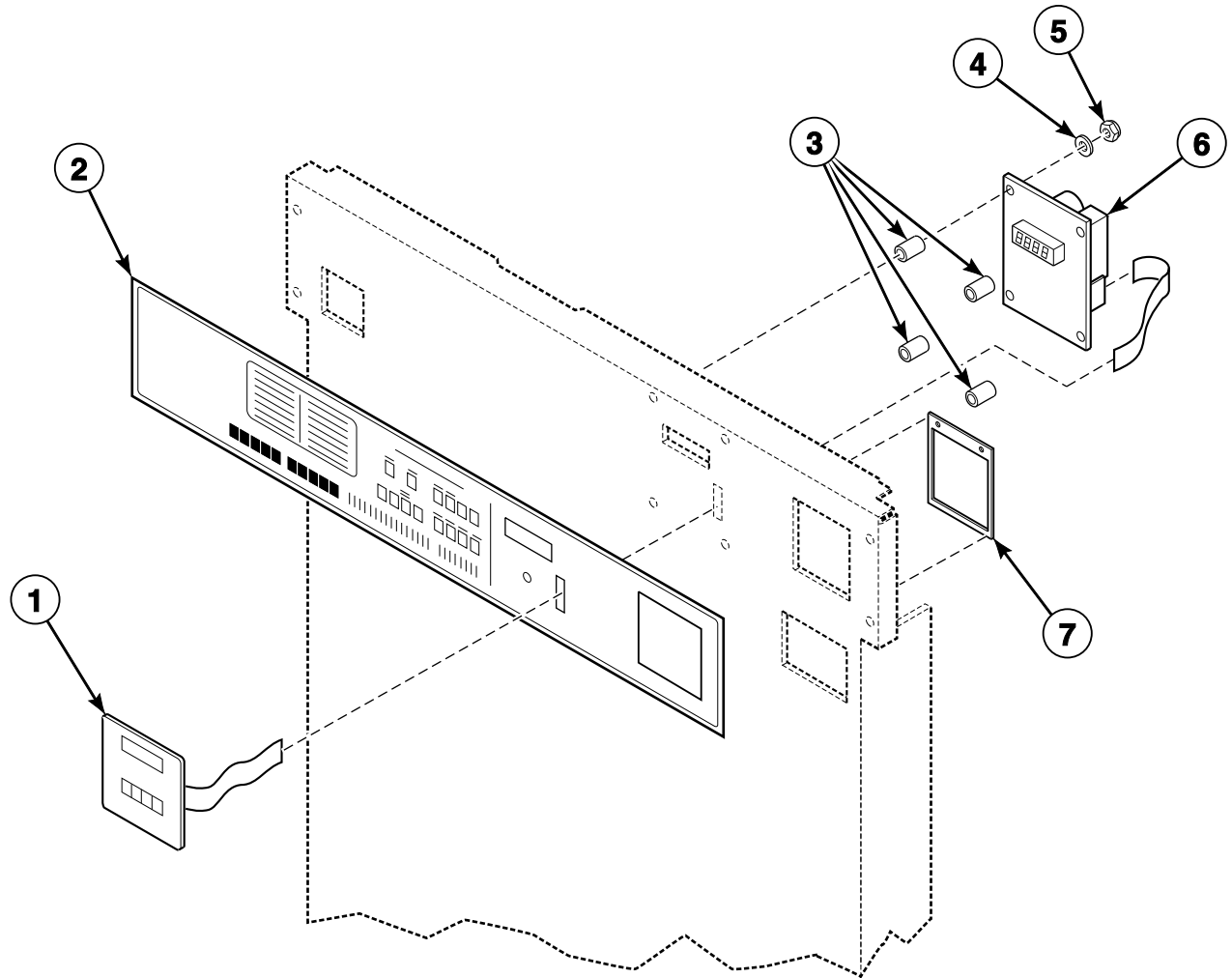
CHM1759P_F232173

Graphic Panel and Controls - PN, SN and VN Models

REF	PART NO.	DESCRIPTION	COMMENTS
1	F370576P	Keypad	U models
	F340608P	Membrane Switch	S models
	F340614P	Membrane Switch	H models
2	F340412	Momentary Switch	
3	F231498	Control Panel Decal	Models UC18PN2, UC18VN2, UC25PN2 and UC25VN2
	N/A	Control Panel Decal	Models UC27PN2 and UC27VN2
	N/A	Control Panel Decal	Models UC35PN2 and UC35VN2
	N/A	Control Panel Decal	Models UC50PN2 and UC50VN2
	F231467	Control Panel Decal	Models SC18SN2, SC18VN2, SC25SN2 and SC25VN2
	F231468	Control Panel Decal	Models SC27SN2 and SC27VN2
	F231469	Control Panel Decal	Models SC35SN2 and SC35VN2
	F231470	Control Panel Decal	Models SC50SN2 and SC50VN2
	N/A	Control Panel Decal	Models HC18SN2 and HC25SN2
	N/A	Control Panel Decal	Model HC27SN2
	N/A	Control Panel Decal	Model HC35SN2
	N/A	Control Panel Decal	Model HC50SN2
	4	F401206	Spacer
5	F431113	Washer	
6	F431022	Nut	
7	F370313-30P	Microcomputer	VN models
	F370555-11P	Board	PN and SN models; Armstrong distributor models
	F370555-01P	Computer	PN and SN models; All other models
8	F430232	Nut	
9	F431106	Washer	
10	F601515	Clip	
11	F633098	Switch Plate Sub-Assembly	
12	F230840	Switch Plate Decal	
13	F340411	Rocker Switch	Red

N/A = Part no longer available

Graphic Panel and Controls - PC and VC Models



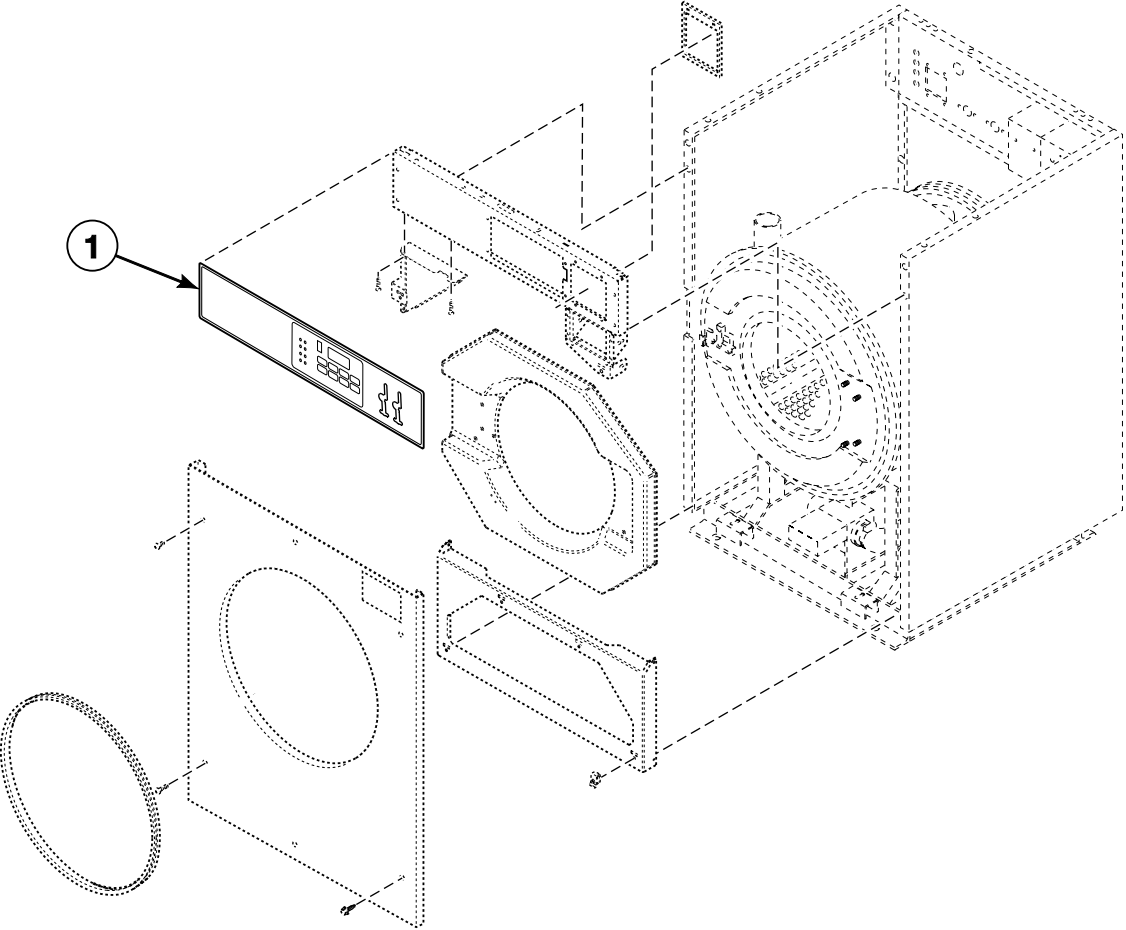
CHM1760P_F232173

Graphic Panel and Controls - PC and VC Models

REF	PART NO.	DESCRIPTION	COMMENTS
1	F340605P	Membrane Switch	
	F340610P	Membrane Switch	PC models
	F340615P	Membrane Switch	VC models
2	F0231618-00	Control Panel Decal	Models UC18PC2 and UC25PC2
	N/A	Control Panel Decal	Model UC27PC2
	F230640	Control Panel Decal	Model UC35PC2
	N/A	Control Panel Decal	Model UC50PC2
	N/A	Control Panel Decal	Models HC18PC2, HC18VC2, HC25PC2 and HC25VC2
	F231551	Control Panel Decal	Models HC27PC2 and HC27VC2
	N/A	Control Panel Decal	Models HC35PC2 and HC35VC2
	F231553	Control Panel Decal	Models HC50PC2 and HC50VC2
3	F401206	Spacer	
4	F431113	Washer	
5	F431022	Nut	
6	F370518-10P	Computer	PC models
	F370518-00P	Computer	PC models with electric heat
	F370313P	Microcomputer Board	VC models through 7/4/99
	F370313-40P	Microcomputer	VC models starting 7/5/99
7	F0634819-00	Coin Meter Mounting Shim	For models without an extrusion only

N/A = Part no longer available

Control Panels - EC, EP, EX, NC, NP, NR and NX Models with Bezel Inner Front



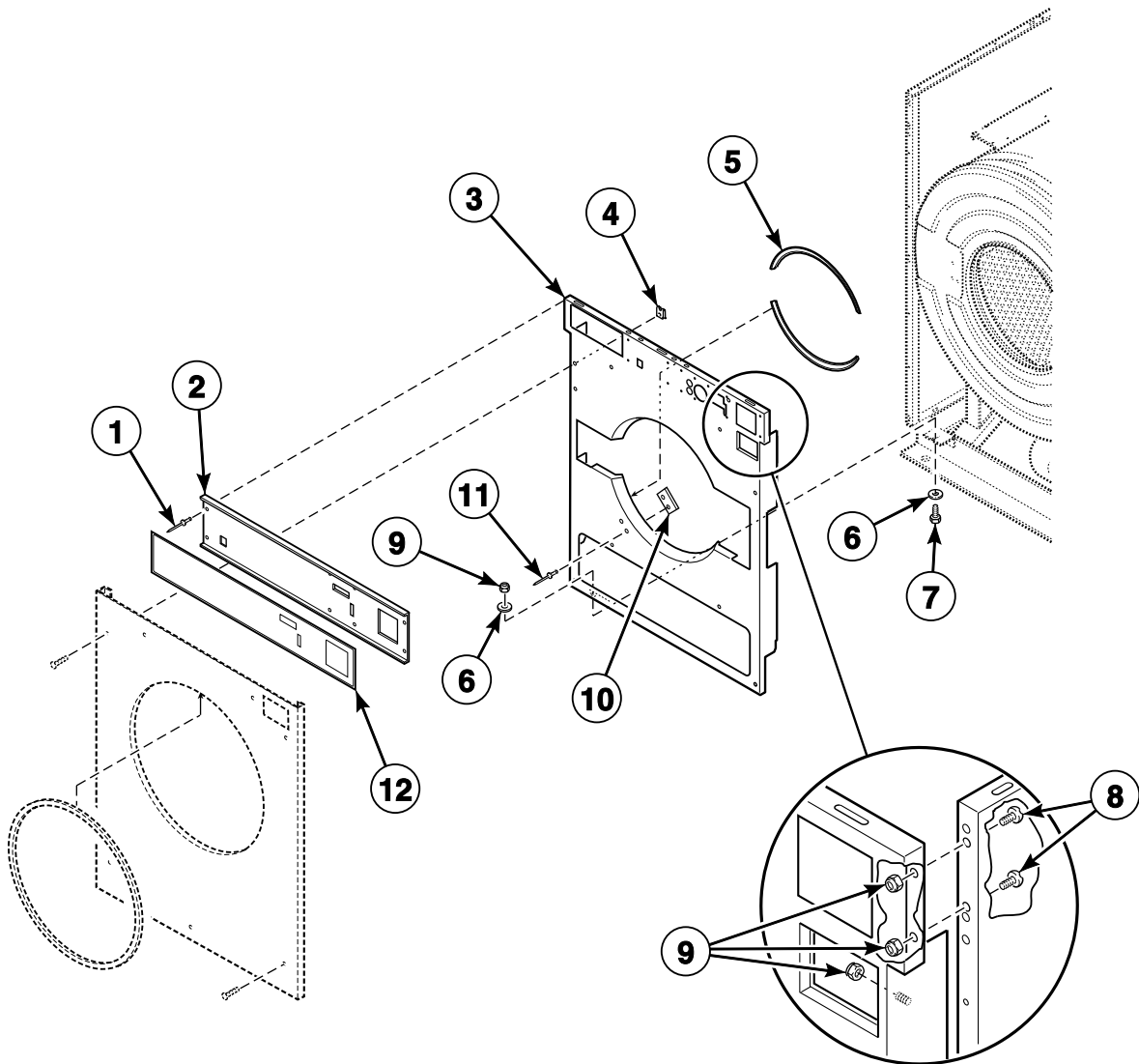
CHM2012P_F232173

Control Panels - EC, EP, EX, NC, NP, NR and NX Models with Bezel Inner Front

REF	PART NO.	DESCRIPTION	COMMENTS
1	F231528-3	Control Panel Decal	Models NC18NP2, SC18NP2 and SC25NP2
	F231528-1	Control Decal	Models SC18NC2 and SC25NC2; Single coin drop
	F231528-2	Control Decal	Models SC18NC2 and SC25NC2; Dual coin drop
	N/A	Control Panel Decal	Models HC18NP2 and HC25NP2
	F0231566-12	Control Panel Decal	Models HC18NC2 and HC25NC2; Dual coin drop; Japanese
	F0231441-00	Control Panel Decal	Models SC18NR2, SC18NX2, SC25NR2 and SC25NX2
	F231527-3	Control Panel Decal	Models NC27NP2 and SC27NP2
	F231527-1	Control Decal	Model SC27NC2; Single coin drop
	F0231527-02	Control Decal	Model SC27NC2; Dual coin drop
	N/A	Control Panel Decal	Model NC27NP2
	F0231579-22	Control Panel Decal	Model HC27NC2; Dual coin drop; Japanese
	F0231464-00	Control Panel Decal	Models SC27NR2 and SC27NX2
	F231526-3	Control Panel Decal	Model SC35NP2
	F231526-1	Control Decal	Model SC35NC2; Single coin drop
	F231526-2	Control Decal	Model SC35NC2; Dual coin drop
	N/A	Control Panel Decal	Model HC35NP2
	F0231586-32	Control Panel Decal	Model HC35NC2; Dual coin drop; Japanese
	F0231611-34	Control Panel Decal	Models SC35NR2 and SC35NX2
	N/A	Control Panel Decal	Models NC50NP2 and SC50NP2
	F231525-1	Control Decal	Model SC50NC2; Single coin drop
	F200018042	Control Panel Decal	Model SC50NC2; Dual coin drop
	N/A	Control Panel Decal	Model HC50NP2
	F0231568-42	Control Panel Decal	Model HC50NC2; Dual coin drop; Japanese
	F200015000	Control Panel Decal	Models SC50NR2 and SC50NX2
	F231489	Control Panel Decal	Models SC18EC2, SC18EP2, SC18EX2, SC25EC2 and SC25EP2
	N/A	Control Panel Decal	Model HC18EC2
	N/A	Control Panel Decal	Model HC25EC2
	F231490	Control Panel Decal	Models SC27EC2 and SC27EP2
	F231491	Control Panel Decal	Models SC35EC2 and SC35EP2
	N/A	Control Panel Decal	Model HC35EC2
	F231492	Control Panel Decal	Models SC50EC2 and SC50EP2
	N/A	Control Panel Decal	Model HC50EC2

N/A = Part no longer available

Front Panels and Control Panels - EC and EP Models with Stainless Steel Inner Front



CHM1175P_F232173

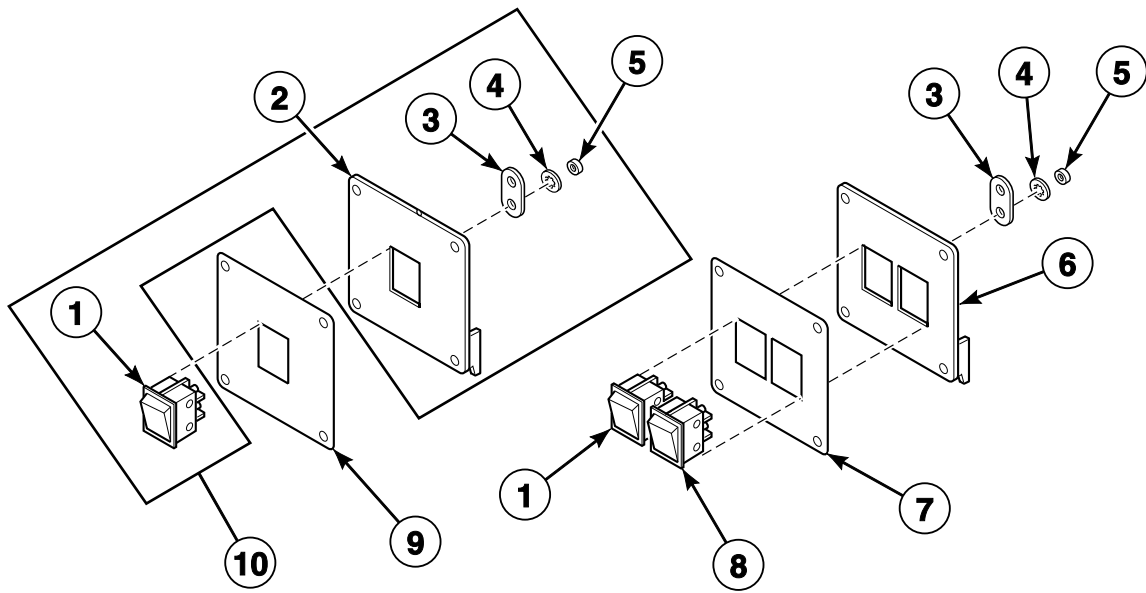
Front Panels and Control Panels - EC and EP Models with Stainless Steel Inner Front

REF	PART NO.	DESCRIPTION	COMMENTS
1	F431215	Pop Rivet	
2	F150456	Control Panel	HC18, HC25, SC18 and SC25 models
	F150457	Control Panel	SC27 models
	N/A	Control Panel	HC35 and SC35 models
	F150459	Control Panel	HC50 and SC50 models
3	F631685-1P	Inner Front Panel Assembly	HC18 and SC18 models
	F631687-1	Inner Front Panel Assembly	HC25 and SC25 models
	F631688-1	Inner Front	SC27 models
	F634505-1	Inner Front Panel Assembly	HC35 and SC35 models; Upper half
	F631689-1	Inner Front Panel Assembly	HC35 and SC35 models; Complete
	F634462-1	Inner Front Panel Assembly	HC50 and SC50 models; Upper half
	F631690-1	Inner Front Panel Assembly	HC50 and SC50 models; Complete
4	F430264	Nut	
5	F170401P	Gasket	
6	F430317	Washer	
7	F430917	Screw	
8	F430925	Screw	
9	F430215	Nut	
10	F200321200	Magnetic Switch Assembly	
11	J1111905	Blind Rivet	
12	F231489	Control Panel Decal	Models SC18EC2 and SC18EP2
	F231275	Control Panel Decal	Models SC25EC2 and SC25EP2
	F231490	Control Panel Decal	Models SC27EC2 and SC27EP2
	F231491	Control Panel Decal	Models SC35EC2 and SC35EP2
	F231492	Control Panel Decal	Models SC50EC2 and SC50EP2
	N/A	Control Panel Decal	Model HC18EC2
	N/A	Control Panel Decal	Model HC25EC2
	N/A	Control Panel Decal	Model HC35EC2
N/A	Control Panel Decal	Model HC50EC2	

N/A = Part no longer available

Switch Assembly - MC, MD, MH, MN, MV and MX Models

Remote Pay Models



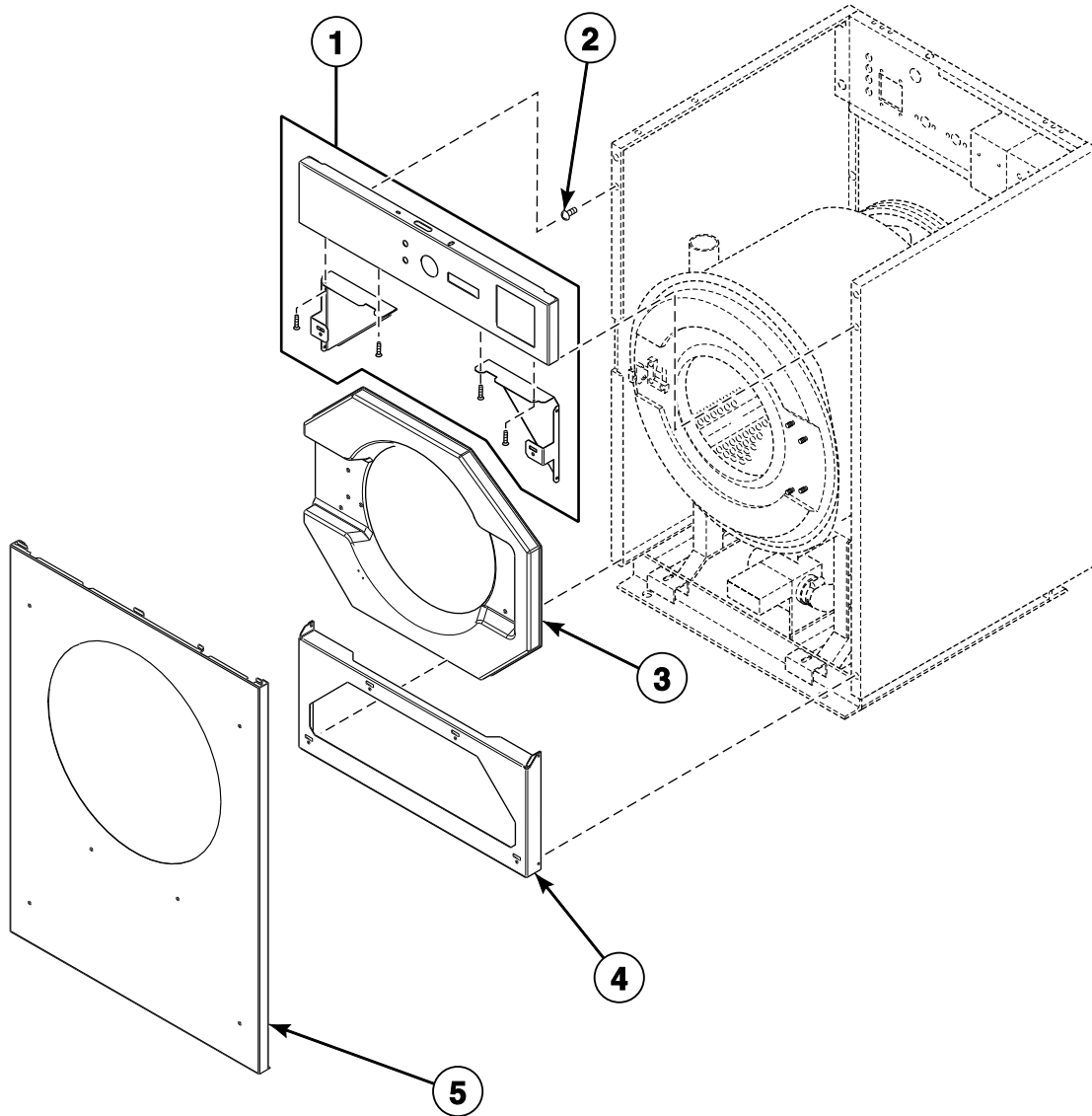
CHM1948P_F232173

Switch Assembly - MC, MD, MH, MN, MV and MX Models

REF	PART NO.	DESCRIPTION	COMMENTS
1	F340411	Rocker Switch	Red
2	F633098	Switch Plate Sub-Assembly	
3	F601515	Clip	
4	F430311	Washer	
5	F430232	Nut	
6	F633092-1	Switch Plate Sub-Assembly	MN and MX models
7	F230918-2	Switch Panel Decal	Models SC18MN2, SC25MN2, SC27MN2, SC35MN2 and SC50MN2
	F230918	Switch Panel Assembly Decal	Models UC18MN2, UC25MN2, UC27MN2, UC35MN2 and UC50MN2
	N/A	Switch Panel Decal	Models HC18MN2, HC25MN2, HC27MN2, HC35MN2 and HC50MN2
	N/A	Switch Panel Decal	Models SC18MX2, SC25MX2, SC27MX2, SC35MX2, SC50MX2, UC18MX2, UC25MX2, UC27MX2 and UC50MX2; Icon
8	F340412	Momentary Switch	
9	F0231615-01	Remote Pay Icon Decal	Models SC18MX2, SC25MX2, SC27MX2, SC35MX2, SC50MX2, UC18MX2, UC25MX2, UC27MX2 and UC50MX2
	F0231615-00	Remote Pay Icon Decal	Models HC18MX2, HC25MX2, HC27MX2, HC35MX2 and HC50MX2
10	F606999	Switch Panel Mounting Assembly	Includes items 1-3 and 5

N/A = Part no longer available

Inner Front Panel Kit Replacements - MN Models Starting 8/2/99



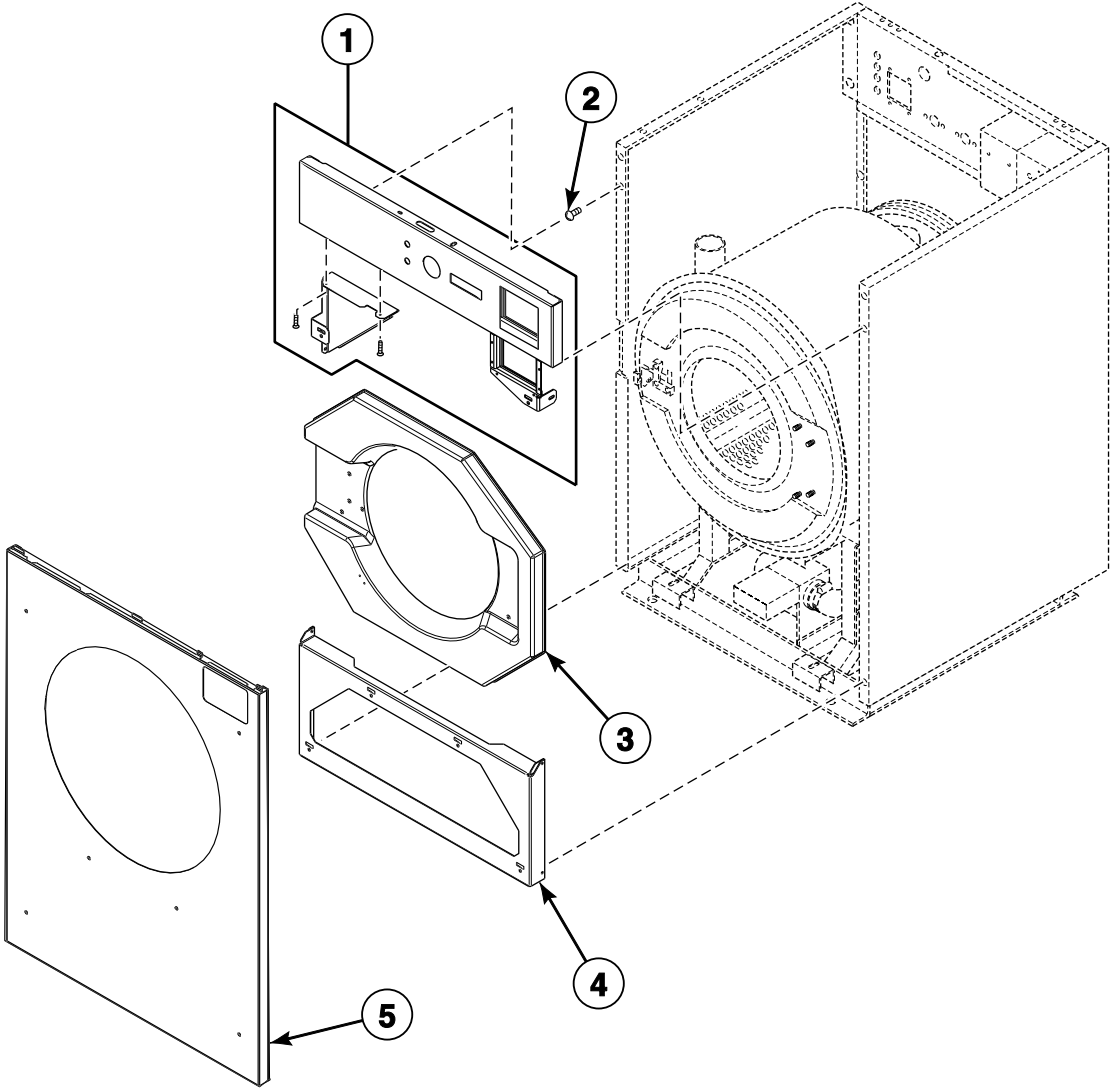
CHM2102P_F232173

Inner Front Panel Kit Replacements - MN Models Starting 8/2/99

REF	PART NO.	DESCRIPTION	COMMENTS
1	F635521-2	Control Panel Assembly	Models HC18MN2, HC25MN2, SC18MN2, SC25MN2, UC18MN2 and UC25MN2
	F635522-2	Control Panel Assembly	Models HC27MN2, SC27MN2 and UC27MN2
	N/A	Control Panel Assembly	Models HC35MN2, SC35MN2 and UC35MN2
	N/A	Control Panel Assembly	Models HC50MN2, SC50MN2 and UC50MN2
2	F8231001	Stud	
3	F170416-1	Door Bezel	Models SC18MN2, SC25MN2, UC18MN2 and UC25MN2
	F170416-2	Door Bezel	Models HC18MN2 and HC25MN2
	F170417-1	Door Bezel	Models HC27MN2, HC35MN2, SC27MN2, SC35MN2, UC27MN2 and UC35MN2
	F0170426-00	Door Bezel	Models SC50MN2 and UC50MN2
	F0170426-10	Door Bezel	Model HC50MN2
4	F634800	Cabinet Brace	Models HC18MN2, HC25MN2, SC18MN2, SC25MN2, UC18MN2 and UC25MN2
	F634801	Cabinet Brace	Models HC27MN2, SC27MN2 and UC27MN2
	F634802	Cabinet Brace	Models HC35MN2, SC35MN2 and UC35MN2
	F634803P	Cabinet Brace	Models HC50MN2, SC50MN2 and UC50MN2
5	F8200302P	Front Panel	Models HC18MN2, HC25MN2, SC18MN2, SC25MN2, UC18MN2 and UC25MN2; Stainless steel; Used with bezel style inner front panel models
	N/A	Front Panel	Models HC18MN2, HC25MN2, SC18MN2, SC25MN2, UC18MN2 and UC25MN2; Almond; Used with bezel style inner front panel models
	N/A	Front Panel	Models HC18MN2, HC25MN2, SC18MN2, SC25MN2, UC18MN2 and UC25MN2; White; Used with bezel style inner front panel models
	F8200402P	Front Panel	Models HC27MN2, SC27MN2 and UC27MN2; Stainless steel; Used with bezel style inner front panel models
	F634666-2	Front Panel	Models HC27MN2, SC27MN2 and UC27MN2; Almond; Used with bezel style inner front panel models
	F634666-5	Front Panel	Models HC27MN2, SC27MN2 and UC27MN2; White; Used with bezel style inner front panel models
	F8292502	Front Panel	Models HC35MN2, SC35MN2 and UC35MN2; Stainless steel; Used with bezel style inner front panel models
	N/A	Front Panel	Models HC35MN2, SC35MN2 and UC35MN2; Almond; Used with bezel style inner front panel models
	N/A	Front Panel	Models HC35MN2, SC35MN2 and UC35MN2; White; Used with bezel style inner front panel models
	F8200602P	Front Panel	Models HC50MN2, SC50MN2 and UC50MN2; Stainless steel; Used with bezel style inner front panel models
	N/A	Front Panel	Models HC50MN2, SC50MN2 and UC50MN2; Almond; Used with bezel style inner front panel models
	N/A	Front Panel	Models HC50MN2, SC50MN2 and UC50MN2; White; Used with bezel style inner front panel models

N/A = Part no longer available

Inner Front Panel Kit Replacements - MC, MD, MH, MV and MX Models Starting 8/2/99



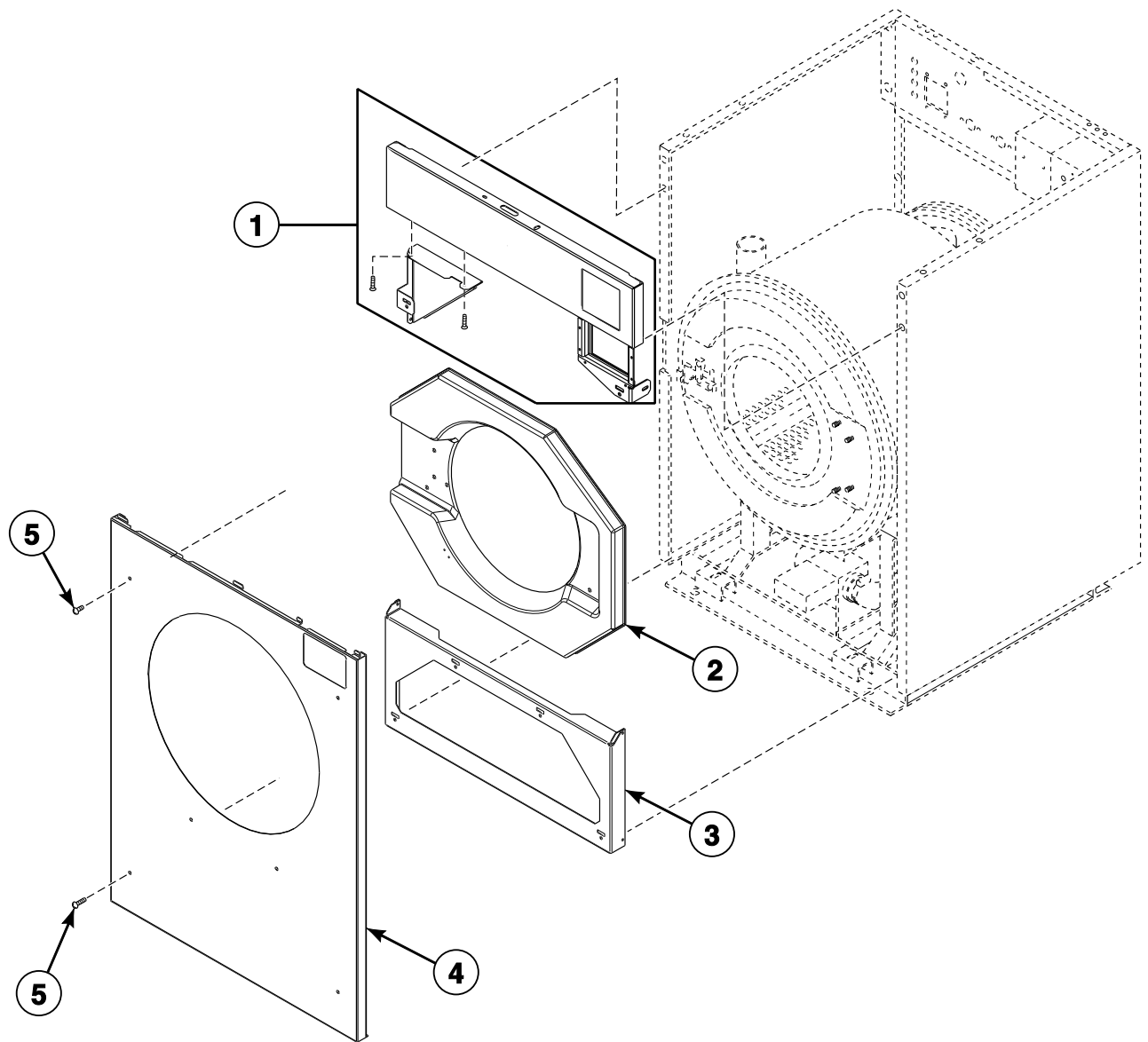
CHM2103P_F232173

Inner Front Panel Kit Replacements - MC, MD, MH, MV and MX Models Starting 8/2/99

REF	PART NO.	DESCRIPTION	COMMENTS
1	F635521-1	Control Panel Assembly	HC18, HC25, SC18, SC25, UC18 and UC25 models
	F635522-1	Control Panel Assembly	HC27, SC27 and UC27 models
	F635525-1	Control Panel Assembly	HC35, SC35 and UC35 models
	F635526-1	Control Panel Assembly	HC50, SC50 and UC50 models
2	F8231001	Stud	
3	F170416-1	Door Bezel	SC18 and SC25 models
	F170416-2	Door Bezel	HC18, HC25, UC18 and UC25 models
	F170417-1	Door Bezel	SC27, SC35, UC27 and UC35 models
	F170417-3	Door Bezel	HC27 and HC35 models
	F0170426-00	Door Bezel	SC50 and UC50 models
	F0170426-10	Door Bezel	HC50 models
4	F634800	Cabinet Brace	HC18, HC25, SC18, SC25, UC18 and UC25 models
	F634801	Cabinet Brace	HC27, SC27 and UC27 models
	F634802	Cabinet Brace	HC35, SC35 and UC35 models
	F634803P	Cabinet Brace	HC50, SC50 and UC50 models
5	F8200301P	Front Panel	HC18, SC18 and UC18 models; Stainless steel; Used with bezel style inner front panel models
	F634682-2	Front Panel	HC18, SC18 and UC18 models; Almond; Used with bezel style inner front panel models
	F634682-5	Front Panel	HC18, SC18 and UC18 models; White; Used with bezel style inner front panel models
	N/A	Front Panel	HC18, SC18 and UC18 models; Orange; Used with bezel style inner front panel models
	F634836-1P	Front Panel	HC25, SC25 and UC25 models; Stainless steel; Used with bezel style inner front panel models
	F634836-2	Front Panel	HC25, SC25 and UC25 models; Almond; Used with bezel style inner front panel models
	N/A	Front Panel	HC25, SC25 and UC25 models; White; Used with bezel style inner front panel models
	N/A	Front Panel	HC25, SC25 and UC25 models; Orange; Used with bezel style inner front panel models
	F8200401P	Front Panel	HC27, SC27 and UC27 models; Stainless steel; Used with bezel style inner front panel models
	N/A	Front Panel	HC27, SC27 and UC27 models; Almond; Used with bezel style inner front panel models
	N/A	Front Panel	HC27, SC27 and UC27 models; White; Used with bezel style inner front panel models
	F634816-1P	Front Panel	HC35, SC35 and UC35 models; Stainless steel; Used with bezel style inner front panel models
	N/A	Front Panel	HC35, SC35 and UC35 models; Almond; Used with bezel style inner front panel models
	N/A	Front Panel	HC35, SC35 and UC35 models; White; Used with bezel style inner front panel models
	N/A	Front Panel	HC35, SC35 and UC35 models; Orange; Used with bezel style inner front panel models
	F8200601P	Front Panel	HC50, SC50 and UC50 models; Stainless steel; Used with bezel style inner front panel models
	N/A	Front Panel	HC50, SC50 and UC50 models; Almond; Used with bezel style inner front panel models
	N/A	Front Panel	HC50, SC50 and UC50 models; White; Used with bezel style inner front panel models
	N/A	Front Panel	HC50, SC50 and UC50 models; Orange; Used with bezel style inner front panel models

N/A = Part no longer available

Inner Front Panel Kit Replacements - PC and VC Models



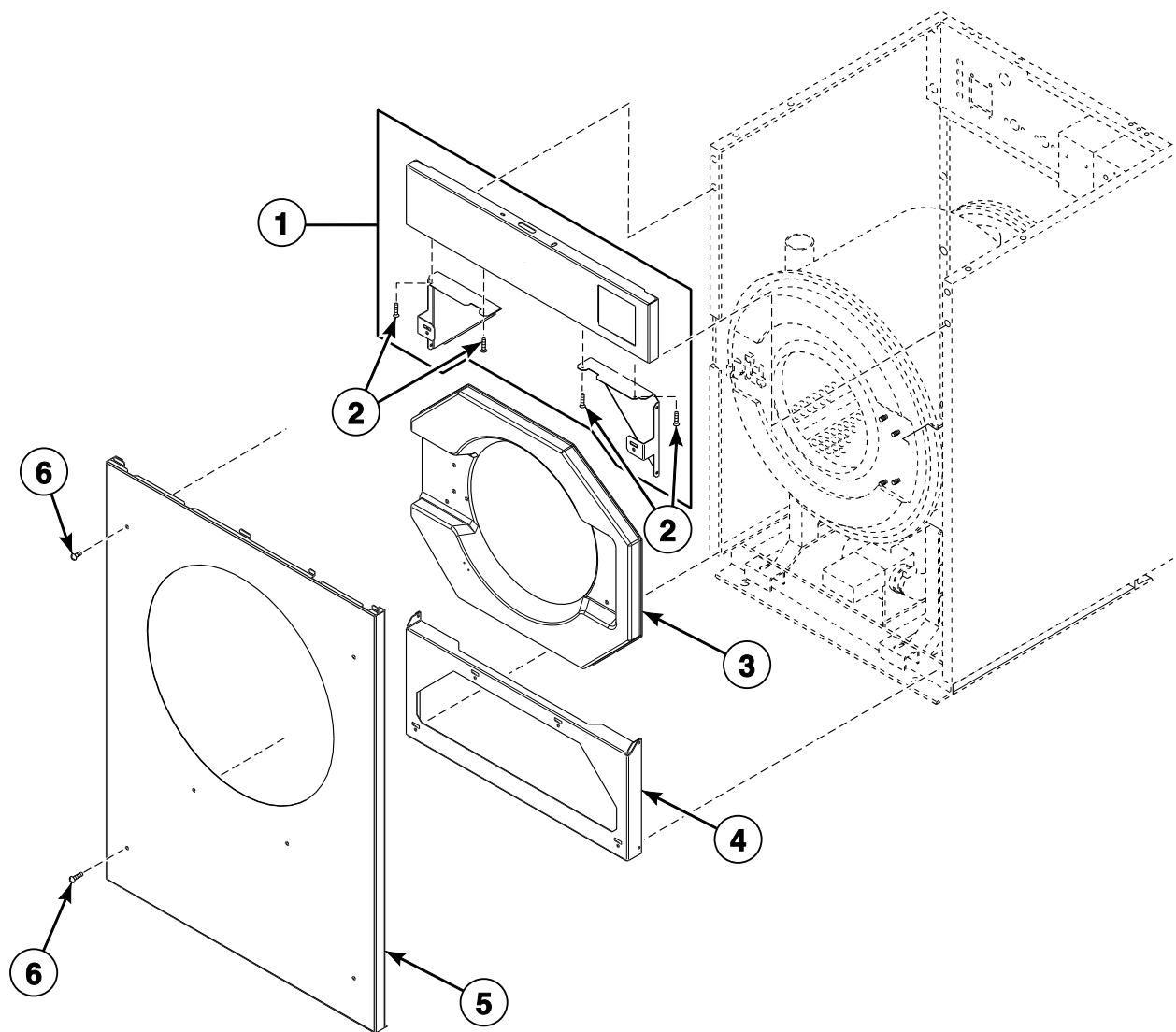
CHM2138P_F232173

Inner Front Panel Kit Replacements - PC and VC Models

REF	PART NO.	DESCRIPTION	COMMENTS
1	F634808-1	Control Panel Assembly	HC18, HC25, UC18 and UC25 models
	F634824-1	Control Panel Assembly	Models HC27PC2, HC27VC2 and UC27PC2
	N/A	Control Panel Assembly	Models HC35PC2, HC35VC2 and UC35PC2
	F634830-1	Control Panel Assembly	Models HC50PC2, HC50VC2 and UC50PC2
2	F170416-2	Door Bezel	HC18, HC25, UC18 and UC25 models
	F170417-3	Door Bezel	HC27, HC35, UC27 and UC35 models
	F0170426-10	Door Bezel	Models HC50PC2, HC50VC2 and UC50PC2
3	F634800	Cabinet Brace	HC18, HC25, UC18 and UC25 models
	F634801	Cabinet Brace	Models HC27PC2, HC27VC2 and UC27PC2
	F634802	Cabinet Brace	Models HC35PC2, HC35VC2 and UC35PC2
	F634803P	Cabinet Brace	Models HC50PC2, HC50VC2 and UC50PC2
4	F8200301P	Front Panel	Stainless steel; Models HC18PC2, HC18VC2 and UC18PC2
	F634682-2	Front Panel	Almond; Models HC18PC2, HC18VC2 and UC18PC2
	F634836-1P	Front Panel	Stainless steel; Models HC25PC2, HC25VC2 and UC25PC2
	F634836-2	Front Panel	Almond; Models HC25PC2, HC25VC2 and UC25PC2
	N/A	Front Panel	Stainless steel; Models HC27PC2, HC27VC2 and UC27PC2
	N/A	Front Panel	Almond; Models HC27PC2, HC27VC2 and UC27PC2
	F634816-1P	Front Panel	Stainless steel; Models HC35PC2, HC35VC2 and UC35PC2
	N/A	Front Panel	Almond; Models HC35PC2, HC35VC2 and UC35PC2
	F8200601P	Front Panel	Stainless steel; Models HC50PC2, HC50VC2 and UC50PC2
	N/A	Front Panel	Almond; Models HC50PC2, HC50VC2 and UC50PC2
5	F430956	Screw	

N/A = Part no longer available

Inner Front Panel Kit Replacements - PN, SN and VN Models



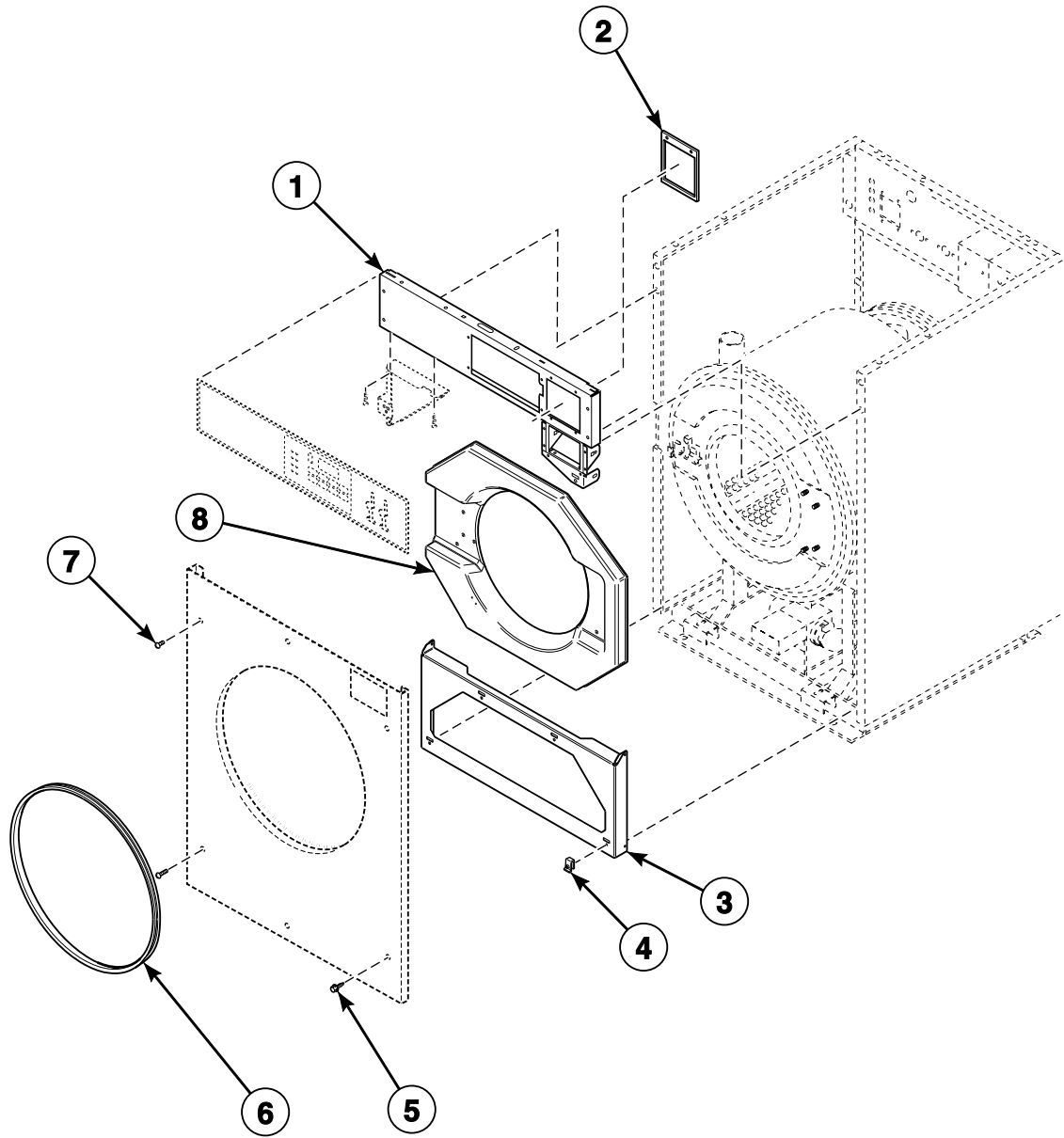
CHM2137P_F232173

Inner Front Panel Kit Replacements - PN, SN and VN Models

REF	PART NO.	DESCRIPTION	COMMENTS
1	F634808-2	Control Panel Assembly	HC18, HC25, SC18, SC25, UC18 and UC25 models
	N/A	Control Panel Assembly	HC27, SC27 and UC27 models
	F634827-2	Control Panel Assembly	HC35, SC35 and UC35 models
	F634830-2	Control Panel Assembly	HC50, SC50 and UC50 models
2	F430137	Screw	
3	F170416-1	Door Bezel	Black; SC18, SC25, UC18 and UC25 models
	F170416-2	Door Bezel	Pantone; HC18 and HC25 models
	F170417-1	Door Bezel	Black; SC27, SC35, UC27 and UC35 models
	F170417-3	Door Bezel	Pantone; HC27 and HC35 models
	F0170426-00	Door Bezel	Black; SC50 and UC50 models
	F0170426-10	Door Bezel	Pantone; Model HC50SN2
4	F634800	Cabinet Brace	HC18, HC25, SC18, SC25, UC18 and UC25 models
	F634801	Cabinet Brace	HC27, SC27 and UC27 models
	F634802	Cabinet Brace	HC35, SC35 and UC35 models
	F634803P	Cabinet Brace	HC50, SC50 and UC50 models
5	F8200302P	Front Panel	Stainless steel; HC18, HC25, SC18, SC25, UC18 and UC25 models
	N/A	Front Panel	Almond; HC18, HC25, SC18, SC25, UC18 and UC25 models
	N/A	Front Panel	Stainless steel; HC27, SC27 and UC27 models
	F634666-2	Front Panel	Almond; HC27, SC27 and UC27 models
	F8292502	Front Panel	Stainless steel; HC35, SC35 and UC35 models
	N/A	Front Panel	Almond; HC35, SC35 and UC35 models
	N/A	Front Panel	Stainless steel; HC50, SC50 and UC50 models
	N/A	Front Panel	Almond; HC50, SC50 and UC50 models
6	F430956	Screw	

N/A = Part no longer available

Control Panels - EC, EP, EX, NC, NP, NR and NX Models with Bezel Inner Front

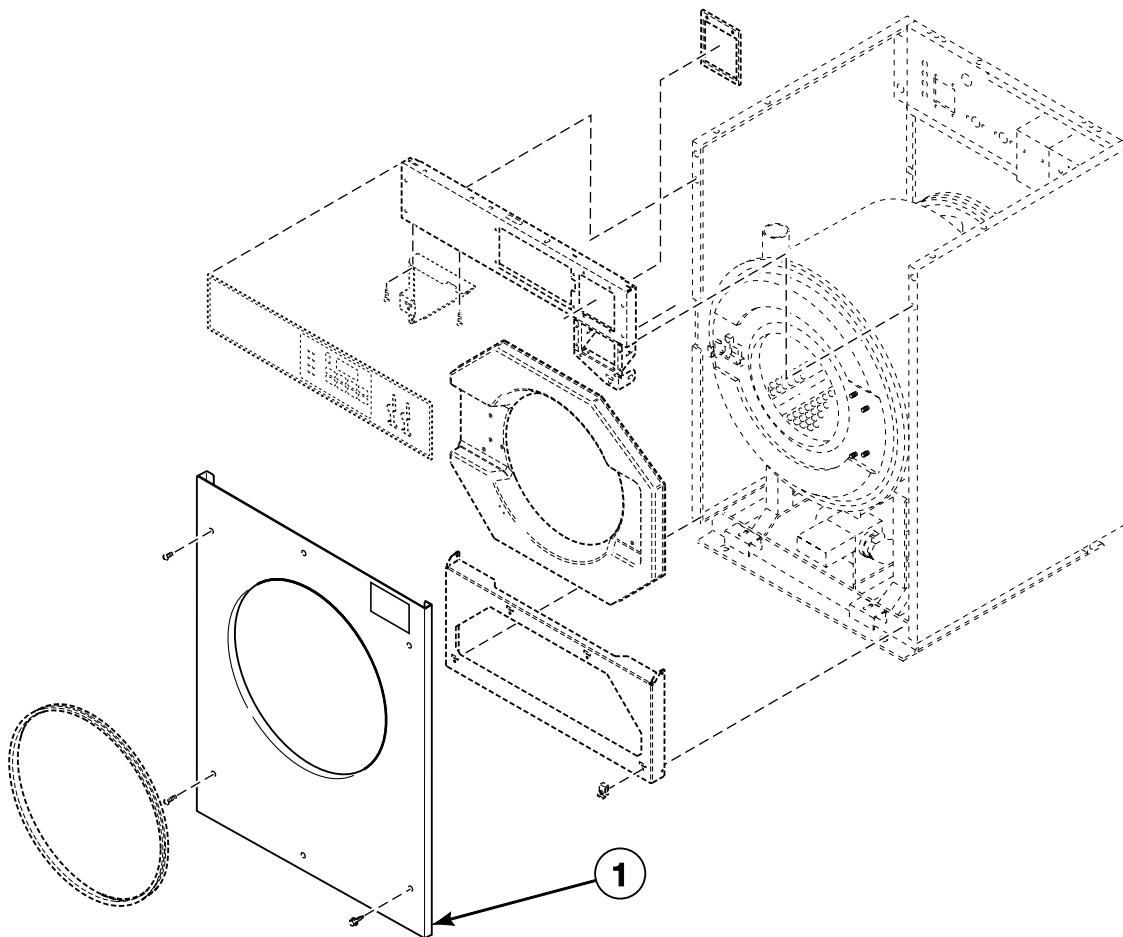


CHM2714P_F232173

Control Panels - EC, EP, EX, NC, NP, NR and NX Models with Bezel Inner Front

REF	PART NO.	DESCRIPTION	COMMENTS
1	F635345	Control Panel Assembly	DC25, HC18, HC25, NC18, SC18 and SC25 NC, NP, NR and NX models
	F635346	Control Panel Assembly	HC27, NC27 and SC27 NC, NP, NR and NX models
	F635347	Control Panel Assembly	HC35 and SC35 NC, NP, NR and NX models
	F635348	Control Panel Assembly	HC50, NC50 and SC50 NC, NP, NR and NX models
	F634809-1	Control Panel Assembly	Models HC18EC2, HC25EC2, SC18EC2, SC18EP2, SC25EC2 and SC25EP2
	F634825-1	Control Panel Assembly	Models SC27EC2 and SC27EP2
	F634828-1	Control Panel Assembly	Models HC35EC2, SC35EC2 and SC35EP2
	F634831-1	Control Panel Assembly	Models HC50EC2, SC50EC2 and SC50EP2
2	F0634819-00	Coin Meter Mounting Shim	
3	F634800	Cabinet Brace	DC25, HC18, HC25, NC18, SC18 and SC25 models
	F634801	Cabinet Brace	HC27, NC27 and SC27 models
	F634802	Cabinet Brace	HC35 and SC35 models
	F634803P	Cabinet Brace	HC50, NC50 and SC50 models
4	F430264	Nut	
5	F432293	Screw	HC35, HC50, NC50, SC35 and SC50 models starting 9/98 through 6/99
6	F8679201P	Trim	F8142701 Adhesive required for installation
7	F430956	Screw	Sheet metal thread
	F430986	Screw	Machine thread
8	F170416-1	Door Bezel	DC25, HC18, HC25, NC18, SC18 and SC25 models
	F170417-1	Door Bezel	HC27, HC35, NC27, SC27 and SC35 models
	F0170426-00	Door Bezel	HC50, NC50 and SC50 models

Front Panels - EC, EP, EX, NC, NP, NR and NX Models with Bezel Inner Front



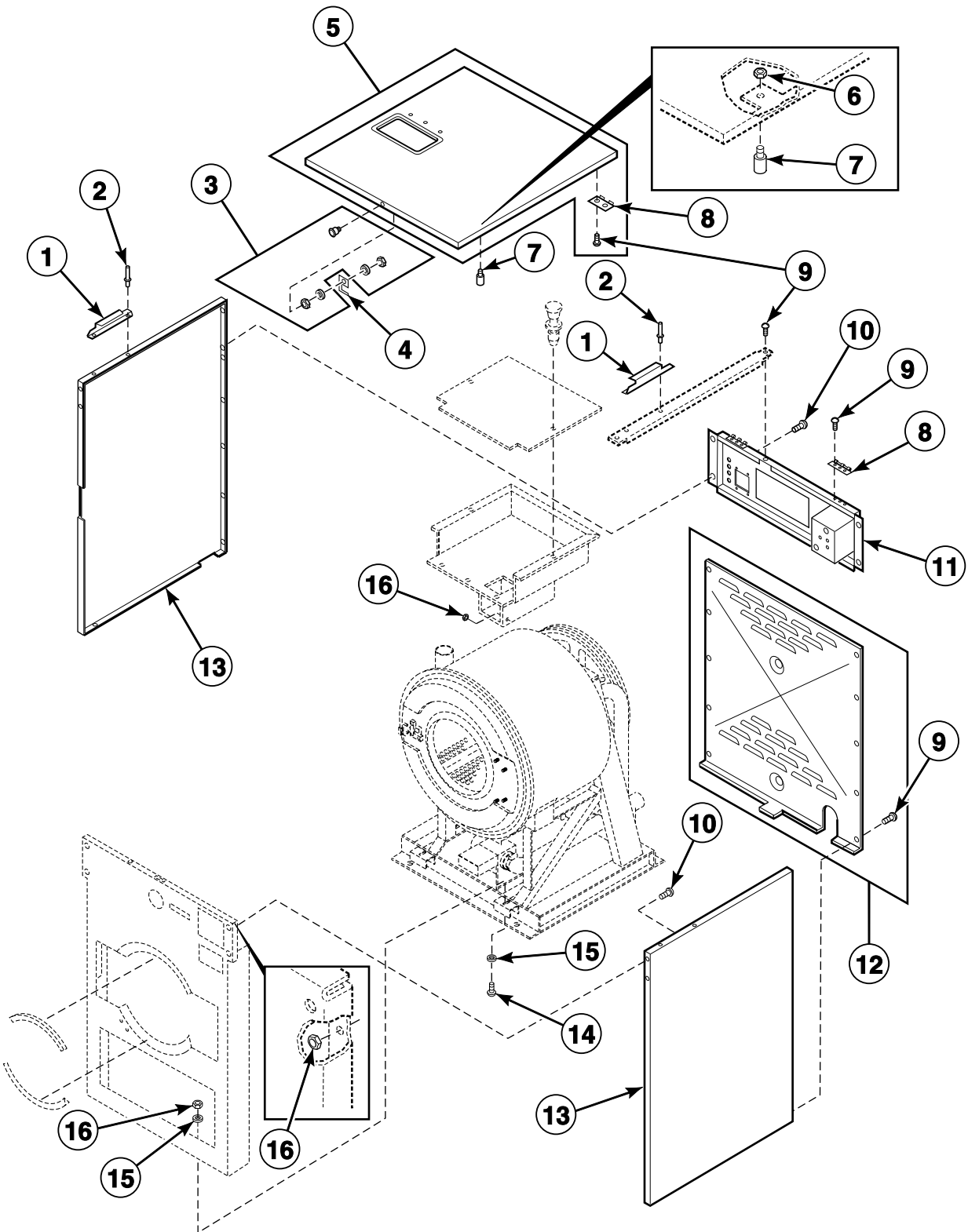
CHM2715P_F232173

Front Panels - EC, EP, EX, NC, NP, NR and NX Models with Bezel Inner Front

REF	PART NO.	DESCRIPTION	COMMENTS
1	F8200301P	Front Panel	Stainless steel; Models HC18NC2, SC18NC2 and SC18NX2
	F634682-2	Front Panel	Almond; Models HC18NC2, SC18NC2 and SC18NX2
	F634682-5	Front Panel	White; Models HC18NC2, SC18NC2 and SC18NX2
	F8200302P	Front Panel	Stainless steel; Models HC18NP2, NC18NP2, SC18NP2 and SC18NR2
	N/A	Front Panel	Almond; Models HC18NP2, NC18NP2, SC18NP2 and SC18NR2
	N/A	Front Panel	White; Models HC18NP2, NC18NP2, SC18NP2 and SC18NR2
	F634836-1P	Front Panel	Stainless steel; Model DC25NC2
	F634836-2	Front Panel	Almond; Model DC25NC2
	N/A	Front Panel	White; Model DC25NC2
	N/A	Front Panel	Models HC25NC2, SC25NC2 and SC25NX2
	F634837-1	Front Panel	Stainless steel; Models HC25NP2, SC25NP2 and SC25NR2
	F634837-2	Front Panel	Almond; Models HC25NP2, SC25NP2 and SC25NR2
	F634837-5	Front Panel	White; Models HC25NP2, SC25NP2 and SC25NR2
	F8200401P	Front Panel	Stainless steel; Models HC27NC2, SC27NC2 and SC27NX2
	N/A	Front Panel	Almond; Models HC27NC2, SC27NC2 and SC27NX2
	N/A	Front Panel	White; Models HC27NC2, SC27NC2 and SC27NX2
	F8200402P	Front Panel	Stainless steel; Models HC27NP2, NC27NP2, SC27NP2 and SC27NR2
	F634666-2	Front Panel	Almond; Models HC27NP2, NC27NP2, SC27NP2 and SC27NR2
	F634666-5	Front Panel	White; Models HC27NP2, NC27NP2, SC27NP2 and SC27NR2
	F634816-1P	Front Panel	Stainless steel; Models HC35NC2, SC35NC2 and SC35NX2
	N/A	Front Panel	Almond; Models HC35NC2, SC35NC2 and SC35NX2
	N/A	Front Panel	White; Models HC35NC2, SC35NC2 and SC35NX2
	F8292502	Front Panel	Stainless steel; Models HC35NP2, SC35NP2 and SC35NR2
	N/A	Front Panel	Almond; Models HC35NP2, SC35NP2 and SC35NR2
	N/A	Front Panel	White; Models HC35NP2, SC35NP2 and SC35NR2
	F8200601P	Front Panel	Stainless steel; Models HC50NC2, SC50NC2 and SC50NX2
	N/A	Front Panel	Almond; Models HC50NC2, SC50NC2 and SC50NX2
	N/A	Front Panel	White; Models HC50NC2, SC50NC2 and SC50NX2
	F8200602P	Front Panel	Stainless steel; Models HC50NP2, NC50NP2, SC50NP2 and SC50NR2
	N/A	Front Panel	Almond; Models HC50NP2, NC50NP2, SC50NP2 and SC50NR2
	N/A	Front Panel	White; Models HC50NP2, NC50NP2, SC50NP2 and SC50NR2

N/A = Part no longer available

Panels - MC, MD, MH, MN, MV, MX, PC, PN, SN, VC and VN Models (Drawing 1 of 2)



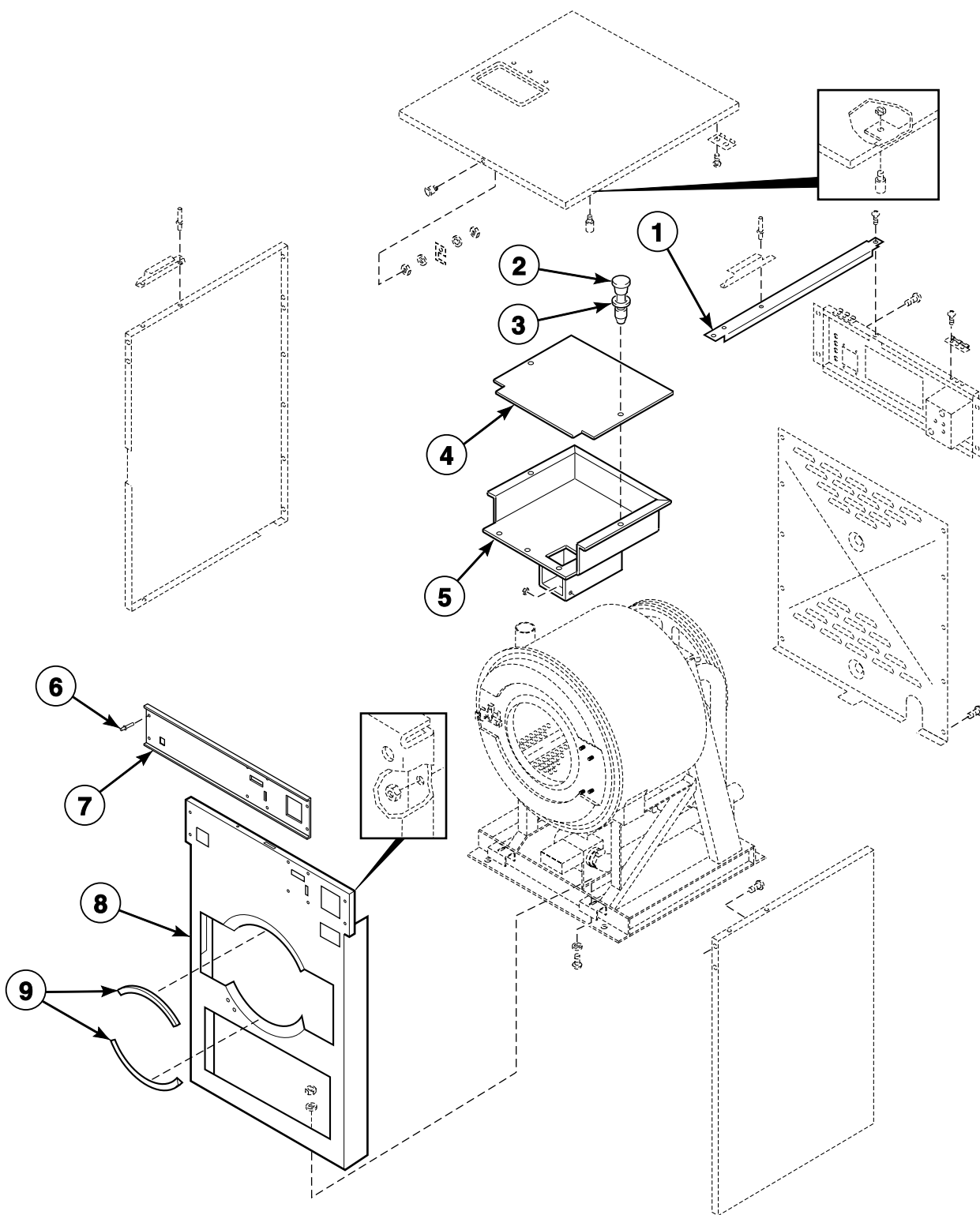
CHM1993P_F232173

Panels - MC, MD, MH, MN, MV, MX, PC, PN, SN, VC and VN Models (Drawing 1 of 2)

REF	PART NO.	DESCRIPTION	COMMENTS
1	F602722	Mounting Bracket	
2	F431215	Pop Rivet	
3	F190802P	Lid Lock	GR3800; Old style
	F160562	Key	GR3800; Old style
	F190805P	Lid Lock	RL003; New style
	70155603	Key	RL003; New style
4	F602753	Top Cover Latch	
5	F758003P	Top Cover Kit	HC18, SC18 and UC18 models; Includes items 7 and 8
	F758002-01P	Top Cover Kit	HC25, SC25 and UC25 models; Includes items 7 and 8
	F0798926-00	Top Cover Kit	HC27, SC27 and UC27 models; Includes items 7 and 8
	F758001-01P	Top Cover Kit	HC35, SC35 and UC35 models; Includes items 7 and 8
	F758000-01P	Top Cover Kit	HC50, SC50 and UC50 models; Includes items 7 and 8
6	F430231	Nut	
7	F390300	Stud	
8	F190203P	Take-Apart Hinge	
9	F430174	Screw	
10	F430925	Screw	
11	F633494-1	Valve Panel Sub-Assembly	HC18M, HC25M, SC18M, SC25M, UC18M and UC25M models; Includes items 9 and 15
	N/A	Valve Panel Kit	HC18, HC25, SC18, SC25, UC18 and UC25 P, S and V-computer models; Includes items 9 and 15
	F633494-2	Valve Panel Sub-Assembly	HC27M, SC27M and UC27M models; Includes items 9 and 15
	N/A	Valve Panel Kit	HC27, SC27 and UC27 P, S and V-computer models; Includes items 9 and 15
	F633494-3	Valve Panel Sub-Assembly	HC35M, SC35M and UC35M models; Includes items 9 and 15
	N/A	Valve Panel Kit	HC35, SC35 and UC35 P, S and V-computer models; Includes items 9 and 15
	F633494-4	Valve Panel Sub-Assembly	HC50M, SC50M and UC50M models; Includes items 9 and 15
	N/A	Valve Panel Kit	HC50, SC50 and UC50 P, S and V-computer models ; Includes items 9 and 15
12	F757000	Rear Panel Kit	HC18, SC18 and UC18 models; Includes item 8
	F757001	Rear Panel Kit	HC25, SC25 and UC25 models; Includes item 8
	F0798927-00	Rear Panel Kit	HC27, SC27 and UC27 models; Includes item 8
	F757003	Rear Panel Kit	HC35, SC35 and UC35 models; Includes item 8
	F757002	Rear Panel Kit	HC50, SC50 and UC50 models; Includes item 8
13	F0636136-00P	Left Side Panel	HC18, SC18 and UC18 models
	N/A	Left Side Panel	HC25, SC25 and UC25 models
	F635274-1P	Left Side Panel	HC27, SC27 and UC27 models
	F634499-1	Left Side Panel	HC35, SC35 and UC35 models
	F634397-1	Left Side Panel	HC50, SC50 and UC50 models
	F0636135-00P	Right Side Panel	HC18, SC18 and UC18 models
	F0635271-01P	Right Side Panel	HC18, SC18 and UC18 P, S and V-computer models
	F0636594-00P	Right Side Panel	HC25, SC25 and UC25 models
	F635275-1P	Right Side Panel	HC27, SC27 and UC27 models
	F634500-1P	Right Side Panel	HC35, SC35 and UC35 models
	F634396-1P	Right Side Panel	HC50, SC50 and UC50 models
	F757602P	Left Side Panel Kit	HC35M, SC35M and UC35M models; Includes F634499-1 Left Side Panel and items 1, 2, 9 and 15
	F757603	Left Side Panel Kit	HC50M, SC50M and UC50M models; Includes F634397-1 Left Side Panel and items 1, 2, 9 and 15
14	F430108	Screw	
15	F430317	Washer	
16	F430215	Nut	

N/A = Part no longer available

Panels - MC, MD, MH, MN, MV, MX, PC, PN, SN, VC and VN Models (Drawing 2 of 2)



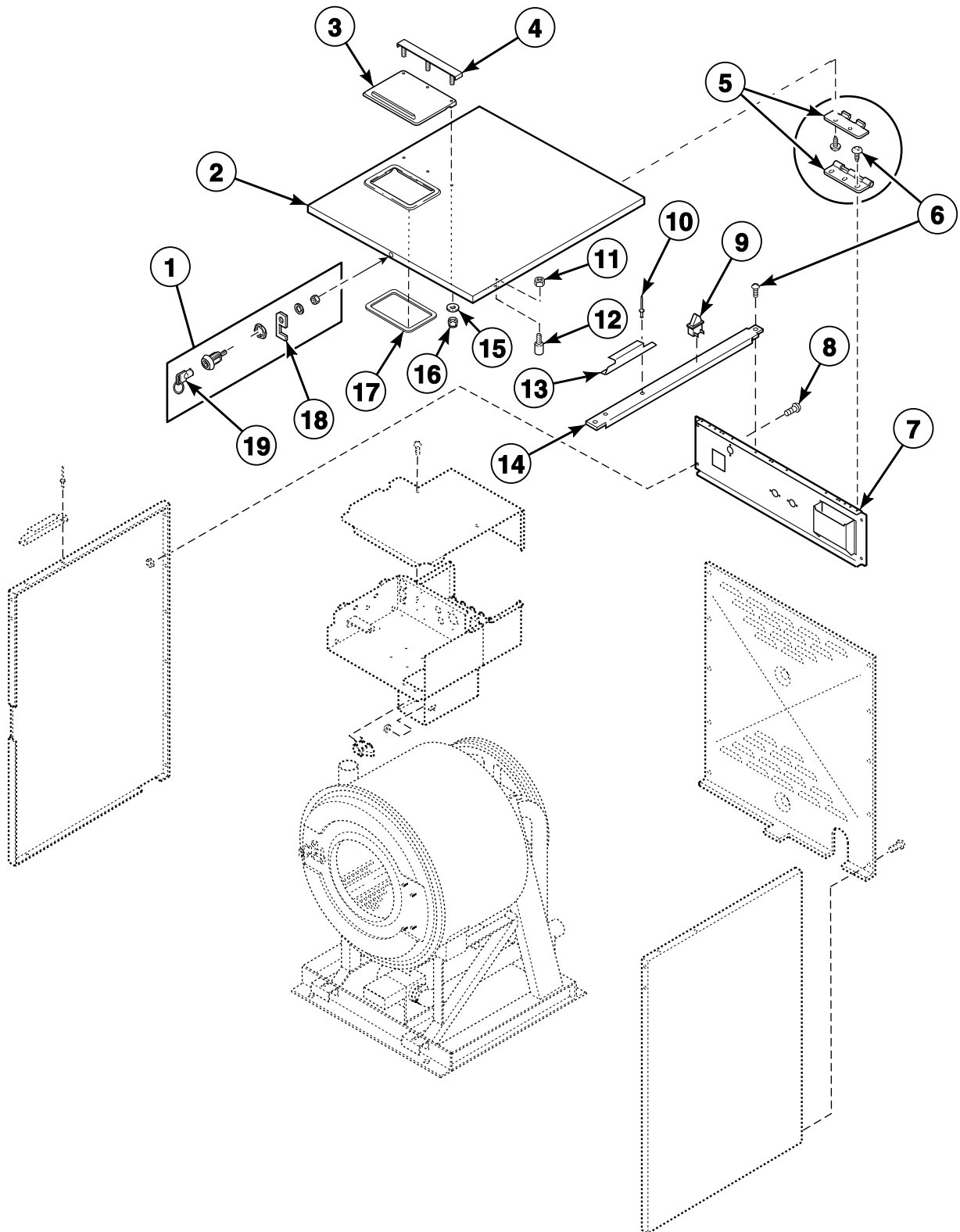
CHM1994P_F232173

Panels - MC, MD, MH, MN, MV, MX, PC, PN, SN, VC and VN Models (Drawing 2 of 2)

REF	PART NO.	DESCRIPTION	COMMENTS
1	N/A	Top Brace	HC18, SC18 and UC18 models
	F606239	Top Brace	HC25, SC25 and UC25 models
	N/A	Top Brace	HC27, SC27 and UC27 models
	N/A	Top Brace	HC35, SC35 and UC35 models
	F603227	Top Brace	HC50, SC50 and UC50 models
2	F432005	Rivet	
3	F170607	Grommet	
4	F602961	Module Cover	For terminal strip style machines
5	F602694	Electrical Box Assembly	For terminal strip style machines
6	F431210	Pop Rivet	
7	N/A	Extrusion Panel	HC18M, SC18M and UC18M models
	N/A	Extrusion Panel	HC18, HC25, SC18, SC25, UC18 and UC25 P, S and V-computer models
	F150403	Extrusion Control Panel	HC27, SC27 and UC27 models
	N/A	Extrusion Panel	HC35M, SC35M and UC35M models
	N/A	Extrusion Panel	HC35, SC35 and UC35 P, S and V-computer models
	N/A	Extrusion Panel	HC50M, SC50M and UC50M models
	N/A	Extrusion Panel	HC50, SC50 and UC50 P, S and V-computer models
8	N/A	Inner Front Panel Kit	HC18M, SC18M and UC18M models
	N/A	Inner Front Panel Kit	Includes item 8; HC18, SC18 and UC18 P, S and V-computer models
	F757204P	Inner Front Panel Kit	HC25M, SC25M and UC25M models
	N/A	Inner Front Panel Kit	Includes item 8; HC25, SC25 and UC25 P, S and V-computer models
	F631968-2P	Front Panel Assembly	HC27M, SC27M and UC27M models
	F0798928-00	Inner Front Panel Kit	Includes item 8; HC27, SC27 and UC27 P, S and V-computer models
	F757203P	Inner Front Panel Kit	HC35M, SC35M and UC35M models
	N/A	Inner Front Panel Kit	Includes item 8; HC35, SC35 and UC35 P, S and V-computer models
	F757200	Inner Front Panel Kit	HC50M, SC50M and UC50M models
N/A	Inner Front Panel Kit	Includes item 8; HC50, SC50 and UC50 P, S and V-computer models	
9	F170401P	Gasket	

N/A = Part no longer available

Panels - EC, EP, EX, NC, NP, NR and NX Models (Drawing 1 of 2)



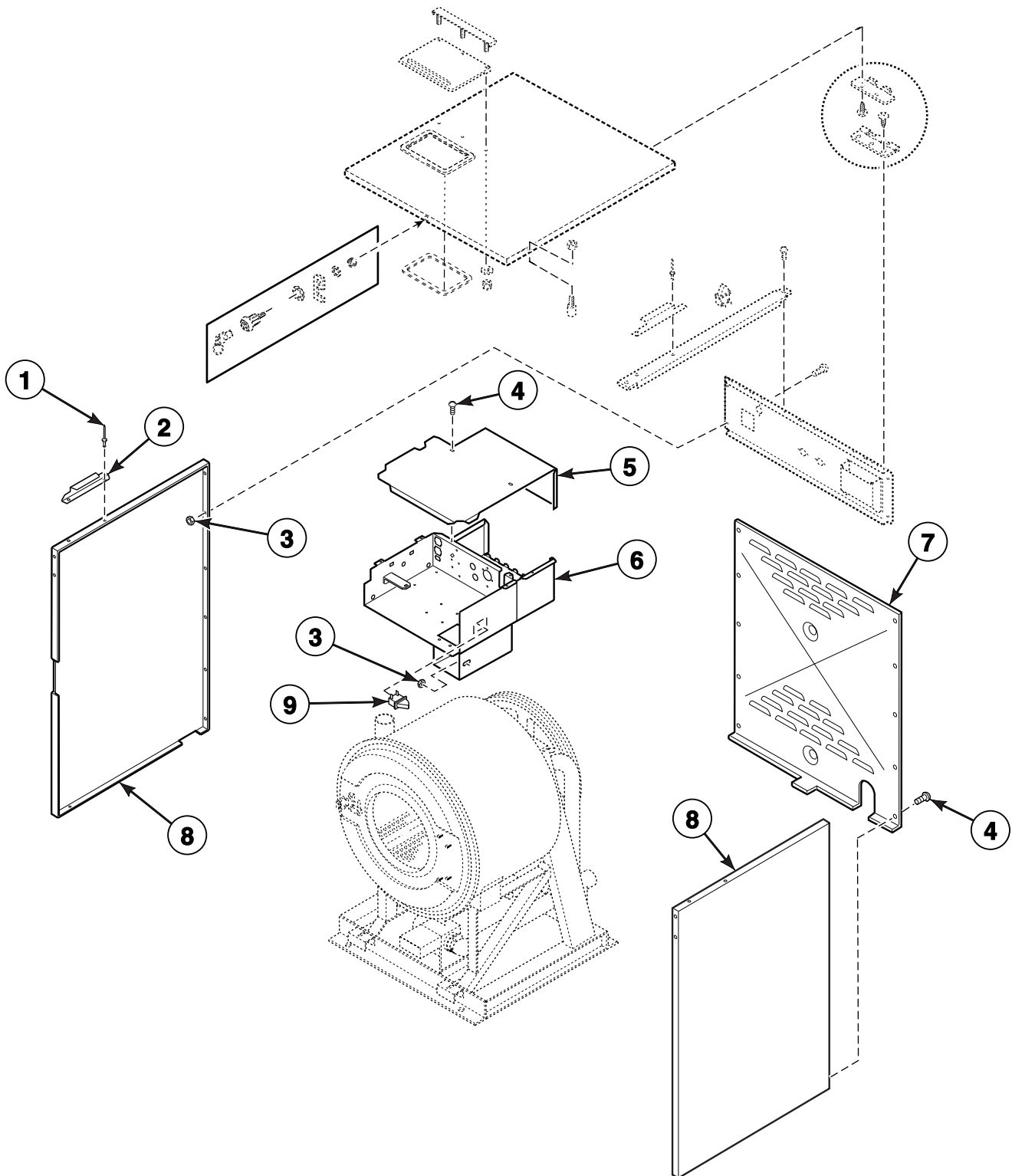
CHM2741P_F232173

Panels - EC, EP, EX, NC, NP, NR and NX Models (Drawing 1 of 2)

REF	PART NO.	DESCRIPTION	COMMENTS
1	F190802P	Lid Lock	GR3800; Barrel key
	F190805P	Lid Lock	RL003; Flat key
2	F635391	Top Cover Assembly	HC18, NC18 and SC18 models
	F606956	Top Cover Sub-Assembly	DC25, HC25 and SC25 models
	F631962	Top Cover Sub-Assembly	HC27, NC27 and SC27 models
	F603745	Top Cover Sub-Assembly	HC35 and SC35 models
	F603801P	Top Cover Sub-Assembly	HC50, NC50 and SC50 models
3	F200270501	Supply Dispenser Lid	
4	F630430	Lid Clamp Assembly	
5	F190203P	Take-Apart Hinge	
6	F430174	Screw	
7	N/A	Valve Panel Sub-Assembly	DC25, HC18, HC25, NC18, SC18 and SC25 models; Mueller valve
	F633494-2	Valve Panel Sub-Assembly	HC27, NC27 and SC27 models; Mueller valve
	F603393	Valve Panel Sub-Assembly	HC35 and SC35 models; Mueller valve
	F604118	Valve Panel Sub-Assembly	HC50, NC50 and SC50 models; Mueller valve
	F633494-1	Valve Panel Sub-Assembly	DC25, HC18, HC25, NC18, SC18 and SC25 models; Elbi valve
	F633494-2	Valve Panel Sub-Assembly	HC27, NC27 and SC27 models; Elbi valve
	F633494-3	Valve Panel Sub-Assembly	HC35 and SC35 models; Elbi valve
	F633494-4	Valve Panel Sub-Assembly	HC50, NC50 and SC50 models; Elbi valve
8	F430925	Screw	
9	F340437	Momentary Switch	Pushbutton style
	N/A	Switch	Rocker style; NetMaster models starting 7/16/01
10	F431215	Pop Rivet	
11	F430231	Nut	
12	F390300	Stud	
13	F602722	Mounting Bracket	
14	N/A	Top Brace	HC18, NC18 and SC18 models
	F606239	Top Brace	DC25, HC25 and SC25 models
	N/A	Top Brace	HC27, NC27 and SC27 models
	N/A	Top Brace	HC35 and SC35 models
	F603227	Top Brace	HC50, NC50 and SC50 models
15	F431105	Washer	
16	F431005	Nut	
17	F170170	Supply Dispenser Gasket	
18	F602753	Top Cover Latch	
19	F160562	Key	GR3800; Barrel
	70155603	Key	RL003; Flat

N/A = Part no longer available

Panels - EC, EP, EX, NC, NP, NR and NX Models (Drawing 2 of 2)



CHM2742P_F232173

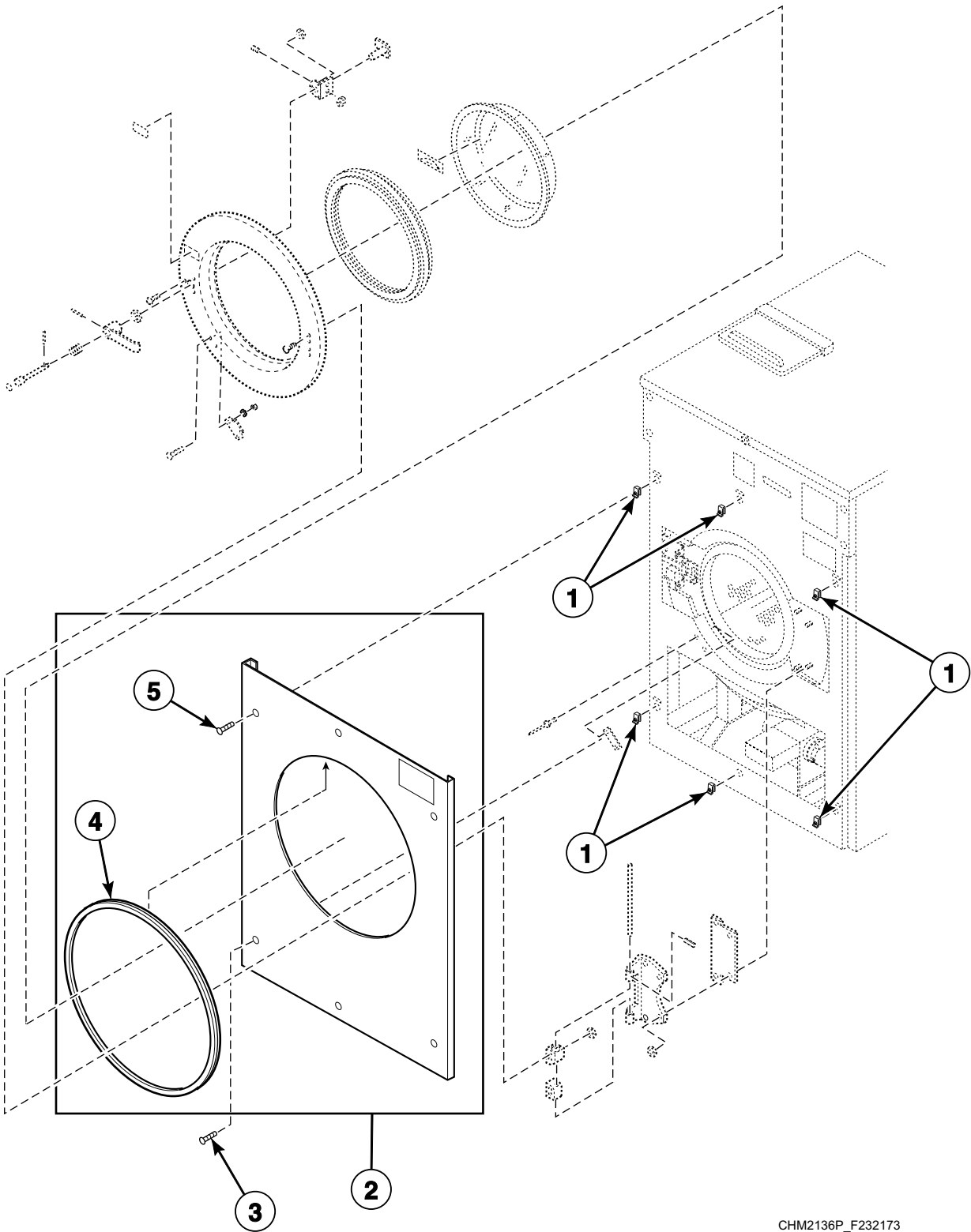
Panels - EC, EP, EX, NC, NP, NR and NX Models (Drawing 2 of 2)

REF	PART NO.	DESCRIPTION	COMMENTS
1	F431215	Pop Rivet	
2	F602722	Mounting Bracket	
3	F430215	Nut	
4	F430174	Screw	
5	F634175	Control Module Cover	
6	F634236-1	Control Box Assembly	
7	F757000	Rear Panel Kit	HC18, NC18 and SC18 models
	F757001	Rear Panel Kit	DC25, HC25 and SC25 models
	F0636321-00P	Rear Panel	HC27, NC27 and SC27 models
	F757003	Rear Panel Kit	HC35 and SC35 models
	F200022800P	Rear Panel	HC50, NC50 and SC50 models
	8	F757607	Right Side Panel Kit
N/A		Side Panel	HC18, NC18 and SC18 models starting 5/23/99; Reversible
F607826		Side Panel	DC25, HC25 and SC25 models through 5/23/99; Reversible
F634475-1		Side Panel	DC25, HC25 and SC25 models starting 5/23/99; Reversible
F630469		Side Panel	HC27, NC27 and SC27 models through 5/23/99; Reversible
F634514-1		Side Panel	HC27, NC27 and SC27 models starting 5/23/99; Reversible
F757602P		Left Side Panel Kit	HC35 and SC35 models starting 5/23/99; Includes item 2
F757604P		Right Side Panel Kit	HC35 and SC35 models starting 5/23/99
F634499-1		Left Side Panel	HC35 and SC35 models starting 5/23/99; Stainless steel
F8166301		Left Side Panel	HC35 and SC35 models; Vinyl
F757603		Left Side Panel Kit	HC50, NC50 and SC50 models starting 5/23/99; Includes item 2
F757606		Right Side Panel Kit	HC50, NC50 and SC50 models starting 5/23/99
F634397-1		Left Side Panel	HC50, NC50 and SC50 models starting 5/23/99
9		F340435	Momentary Switch

N/A = Part no longer available

Outer Front Panel - 18, 25 and 27 Pound Capacity

MC, MD, MH, MN, MV, MX, EC, EP, EX, PC, PN, SN, VC and VN Models



CHM2136P_F232173

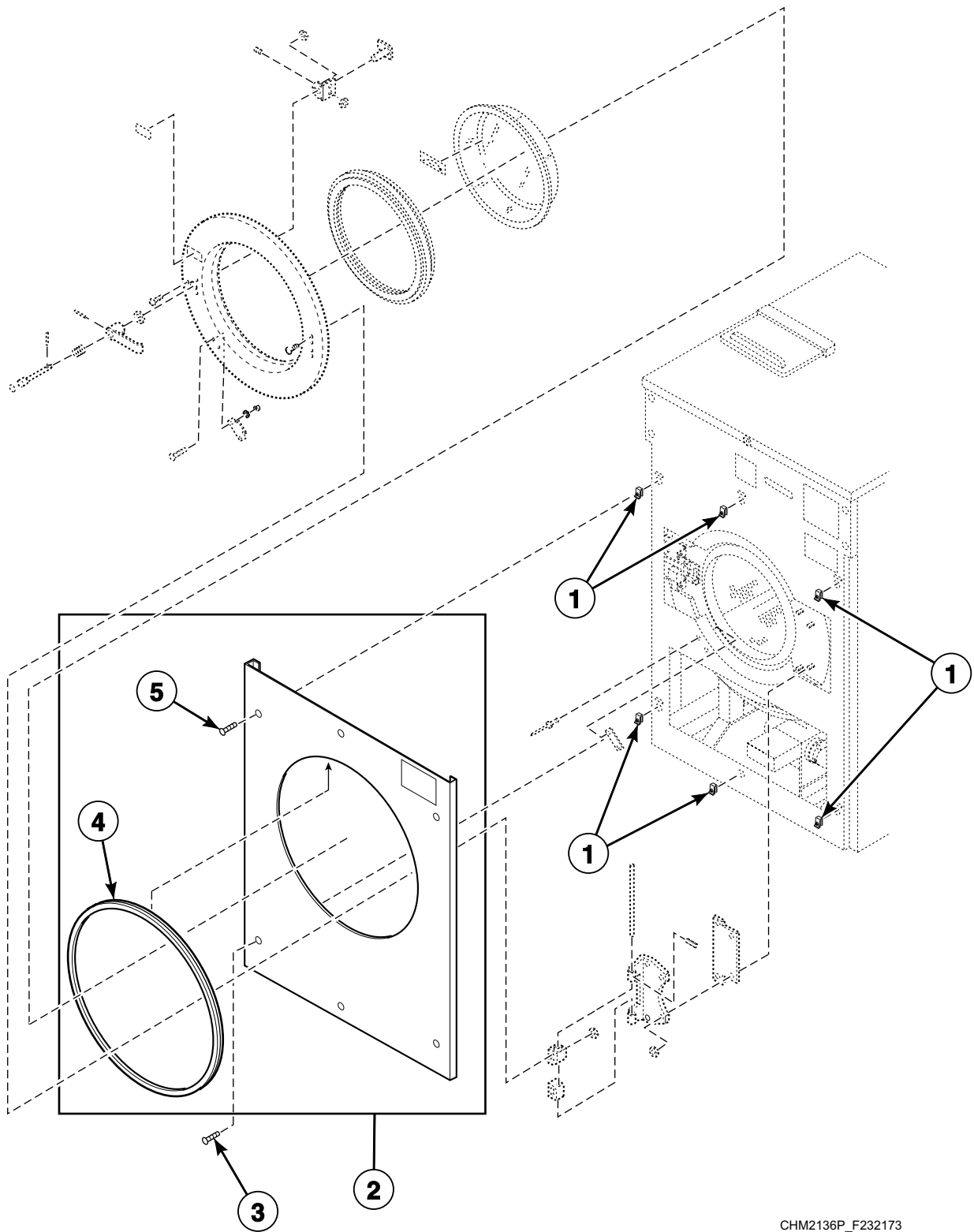
Outer Front Panel - 18, 25 and 27 Pound Capacity

REF	PART NO.	DESCRIPTION	COMMENTS
1	F430264	Nut	Tinnerman
2	F757440	Front Panel Kit	Stainless steel; Includes items 4 and 5; HC18, SC18 and UC18 OPL models
	F757406	Front Panel Kit	Stainless steel; Includes items 4 and 5; HC18, SC18 and UC18 coin models
	N/A	Front Panel Kit	Almond; Includes items 4 and 5; HC18, SC18 and UC18 OPL models
	N/A	Front Panel Kit	Almond; Includes items 4 and 5; HC18, SC18 and UC18 coin models
	N/A	Front Panel Kit	White; Includes items 4 and 5; HC18, SC18 and UC18 OPL models
	N/A	Front Panel Kit	White; Includes items 4 and 5; HC18, SC18 and UC18 coin models
	F757445	Front Panel Kit	Stainless steel; Includes items 4 and 5; HC25, SC25 and UC25 OPL models
	F757414	Front Panel Kit	Stainless steel; Includes items 4 and 5; HC25, SC25 and UC25 coin models
	N/A	Front Panel Kit	Almond; Includes items 4 and 5; HC25, SC25 and UC25 OPL models
	N/A	Front Panel Kit	Almond; Includes items 4 and 5; HC25, SC25 and UC25 coin models
	N/A	Front Panel Kit	White; Includes items 4 and 5; HC25, SC25 and UC25 OPL models
	N/A	Front Panel Kit	White; Includes items 4 and 5; HC25, SC25 and UC25 coin models
	F757485-01	Front Panel Kit	Stainless steel; Includes items 4 and 5; HC27, SC27 and UC27 OPL models
	F757484-01	Front Panel Kit	Stainless steel; Includes items 4 and 5; HC27, SC27 and UC27 coin models
	N/A	Front Panel Kit	Almond; Includes items 4 and 5; HC27, SC27 and UC27 OPL models
	N/A	Front Panel Kit	Almond; Includes items 4 and 5; HC27, SC27 and UC27 coin models
	N/A	Front Panel Kit	White; Includes items 4 and 5; HC27, SC27 and UC27 OPL models
	N/A	Front Panel Kit	White; Includes items 4 and 5; HC27, SC27 and UC27 coin models
3	F432293	Screw	
4	F8679201P	Trim	F8142701 Adhesive required for installation
5	F430986	Screw	

N/A = Part no longer available

Outer Front Panel - 35 and 50 Pound Capacity

MC, MD, MH, MN, MV, MX, EC, EP, EX, PC, PN, SN, VC and VN Models



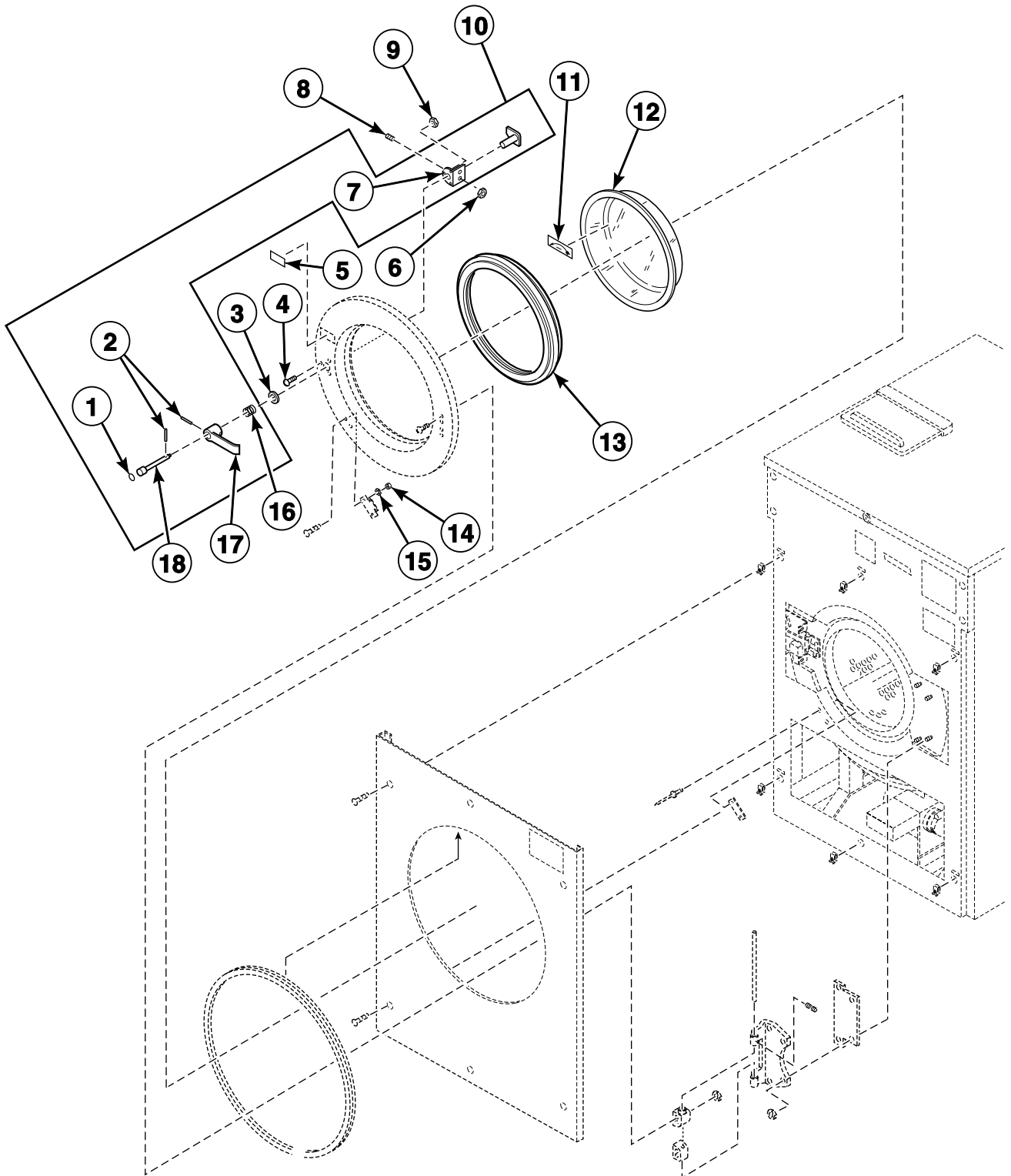
CHM2136P_F232173

Outer Front Panel - 35 and 50 Pound Capacity

REF	PART NO.	DESCRIPTION	COMMENTS
1	F430264	Nut	Tinnerman
2	F757450	Front Panel Kit	Stainless steel; Includes items 4 and 5; HC35, SC35 and UC35 OPL models
	F757419	Front Panel Kit	Stainless steel; Includes items 4 and 5; HC35, SC35 and UC35 coin models
	N/A	Front Panel Kit	Almond; Includes items 4 and 5; HC35, SC35 and UC35 OPL models
	N/A	Front Panel Kit	Almond; Includes items 4 and 5; HC35, SC35 and UC35 coin models
	N/A	Front Panel Kit	White; Includes items 4 and 5; HC35, SC35 and UC35 OPL models
	N/A	Front Panel Kit	White; Includes items 4 and 5; HC35, SC35 and UC35 coin models
	F757455	Front Panel Kit	Stainless steel; Includes items 4 and 5; HC50, SC50 and UC50 OPL models
	F757405	Front Panel Kit	Stainless steel; Includes items 4 and 5; HC50, SC50 and UC50 coin models
	N/A	Front Panel Kit	Almond; Includes items 4 and 5; HC50, SC50 and UC50 OPL models
	N/A	Front Panel Kit	Almond; Includes items 4 and 5; HC50, SC50 and UC50 coin models
	N/A	Front Panel Kit	White; Includes items 4 and 5; HC50, SC50 and UC50 OPL models
	N/A	Front Panel Kit	White; Includes items 4 and 5; HC50, SC50 and UC50 coin models
3	F432293	Screw	
4	F8679201P	Trim	F8142701 Adhesive required for installation
5	F430986	Screw	

N/A = Part no longer available

Door and Outer Front Panel (Drawing 1 of 2)

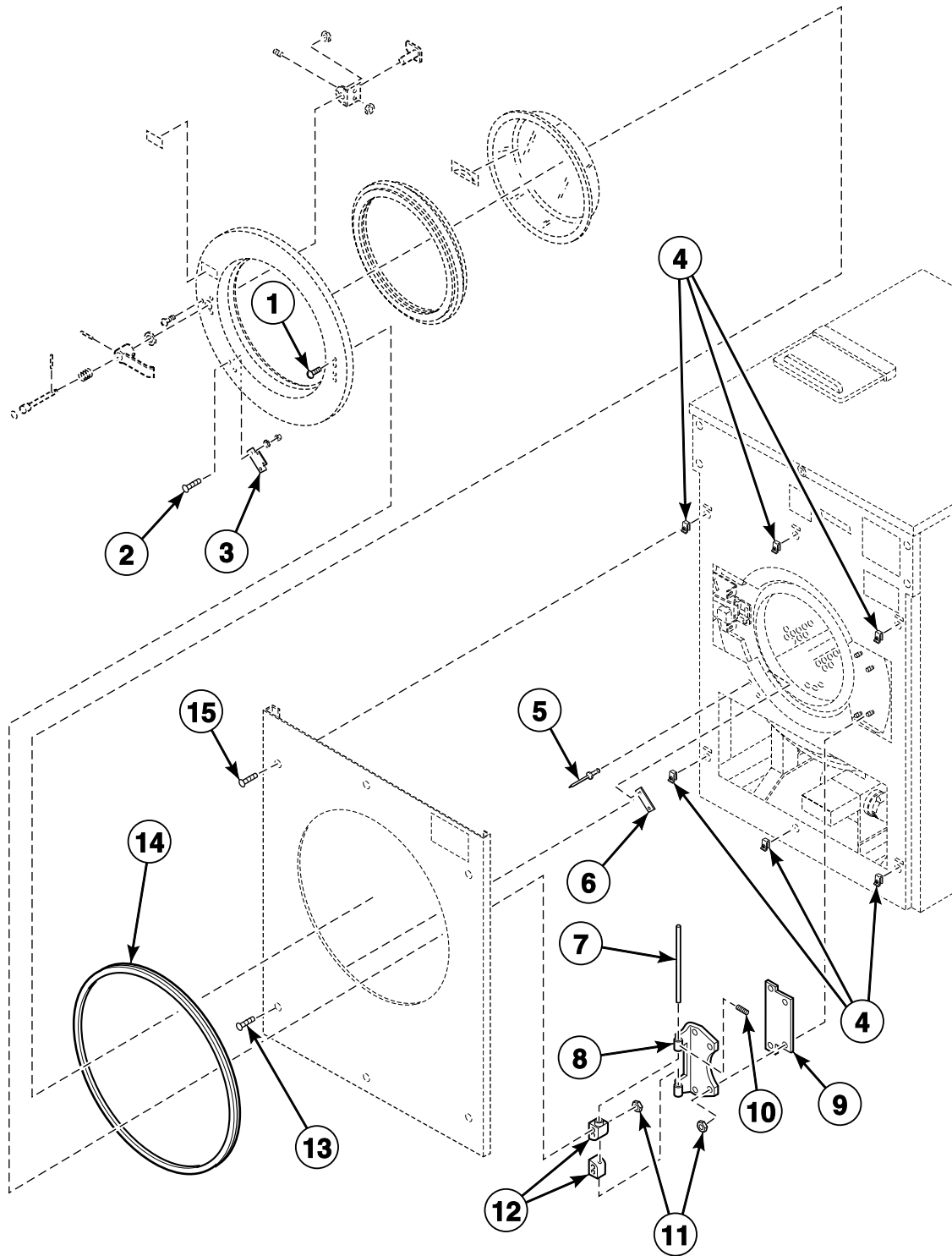


CHM2035P_F232173

Door and Outer Front Panel (Drawing 1 of 2)

REF	PART NO.	DESCRIPTION	COMMENTS
	F604079-4	Door Assembly	HC18, HC25, SC18, SC25, UC18 and UC25 MC, MD, MH, MV and MX models; Includes items 1-4, 6-9, 12-13 and 16-18
	F604079-5	Door Assembly	HC18, HC25, SC18, SC25, UC18 and UC25 MN models; Includes items 1-4, 6-9, 12-13 and 16-18
	F603239-4	Door Assembly	HC27, HC35, SC27, SC35, UC27 and UC35 MC, MD, MH, MV and MX models; Includes items 1-4, 6-9, 12-13 and 16-18
	F060323905	Door Assembly	HC27, HC35, SC27, SC35, UC27 and UC35 MN models; Includes items 1-4, 6-9, 12-13 and 16-18
	F603901-4	Door Assembly	HC50, SC50 and UC50 MC, MD, MH, MV, MX, PC and VC models; Includes items 1-4, 6-9, 12-13 and 16-18
	F060390105	Door Assembly	HC50, SC50 and UC50 MN, PN, SN and VN models; Includes items 1-4, 6-9, 12-13 and 16-18
	F604079-2	Door Assembly	DC25, HC18, HC25, NC18, SC18, SC25, UC18 and UC25 EC, EP, EX, NC, NP, NR, NX, PN, SN and VN models; Includes items 1-4, 6-9, 12-13 and 16-18
	F603239-3	Door Assembly	HC27, HC35, NC27, SC27, SC35, UC27 and UC35 EC, EP, EX, NC, NP, NR, NX, PC, PN, SN, VC and VN models; Includes items 1-4, 6-9, 12-13 and 16-18
	F060390106	Door Assembly	HC50, NC50, SC50 and UC50 EC, EP, EX, NC, NP, NR, NX, PN, SN and VN models; Includes items 1-4, 6-9, 12-13 and 16-18
	F604079-3	Door Assembly	HC18, HC25, SC18, SC25, UC18 and UC25 PC, PN, SN, VC and VN models; Includes items 1-4, 6-9, 12-13 and 16-18
	F604079-1	Door Assembly	HC18, HC25, UC18 and UC25 PC and VC models; Includes items 1-4, 6-9, 12-13 and 16-18
	F603239-1	Door Assembly	HC27, HC35, UC27 and UC35 PC and VC models; Includes items 1-4, 6-9, 12-13 and 16-18
1	F230662	Red Dot Decal	
2	F431222	Spring Pin	
3	F431916	Washer	
4	F8535601	Screw	
5	F230661	Push Red Button Decal	
6	F431041	Nut	
7	F0150273-00	Door Spacer	
8	F430532	Screw	DC25, HC18, HC25, NC18, SC18, SC25, UC18 and UC25 models
	F430533	Screw	HC27, HC35, HC50, NC27, NC50, SC27, SC35, SC50, UC27, UC35 and UC50 models
9	F430232	Nut	
10	F730155	Door Handle Kit	Includes items 1, 2, 7 and 16-18
11	F230693	Counterclockwise Spin Rotation Decal	
12	F290205P	Door Glass Kit	DC25, HC18, HC25, NC18, SC18, SC25, UC18 and UC25 models
	F8485301P	Door Glass	HC27, HC35, NC27, SC27, SC35, UC27 and UC35 models
	F8485401P	Door Glass	HC50, NC50, SC50 and UC50 models
13	F200000200	Door Gasket	DC25, HC18, HC25, NC18, SC18, SC25, UC18 and UC25 models
	F170123	Door Gasket	HC27, HC35, NC27, SC27, SC35, UC27 and UC35 models
	F170124	Door Gasket	HC50, NC50, SC50 and UC50 models
14	F431022	Nut	
15	F431113	Washer	
16	F310125	Door Lock Spring	
17	F150225	Door Handle	
18	F320300	Pushbutton Rod	

Door and Outer Front Panel (Drawing 2 of 2)

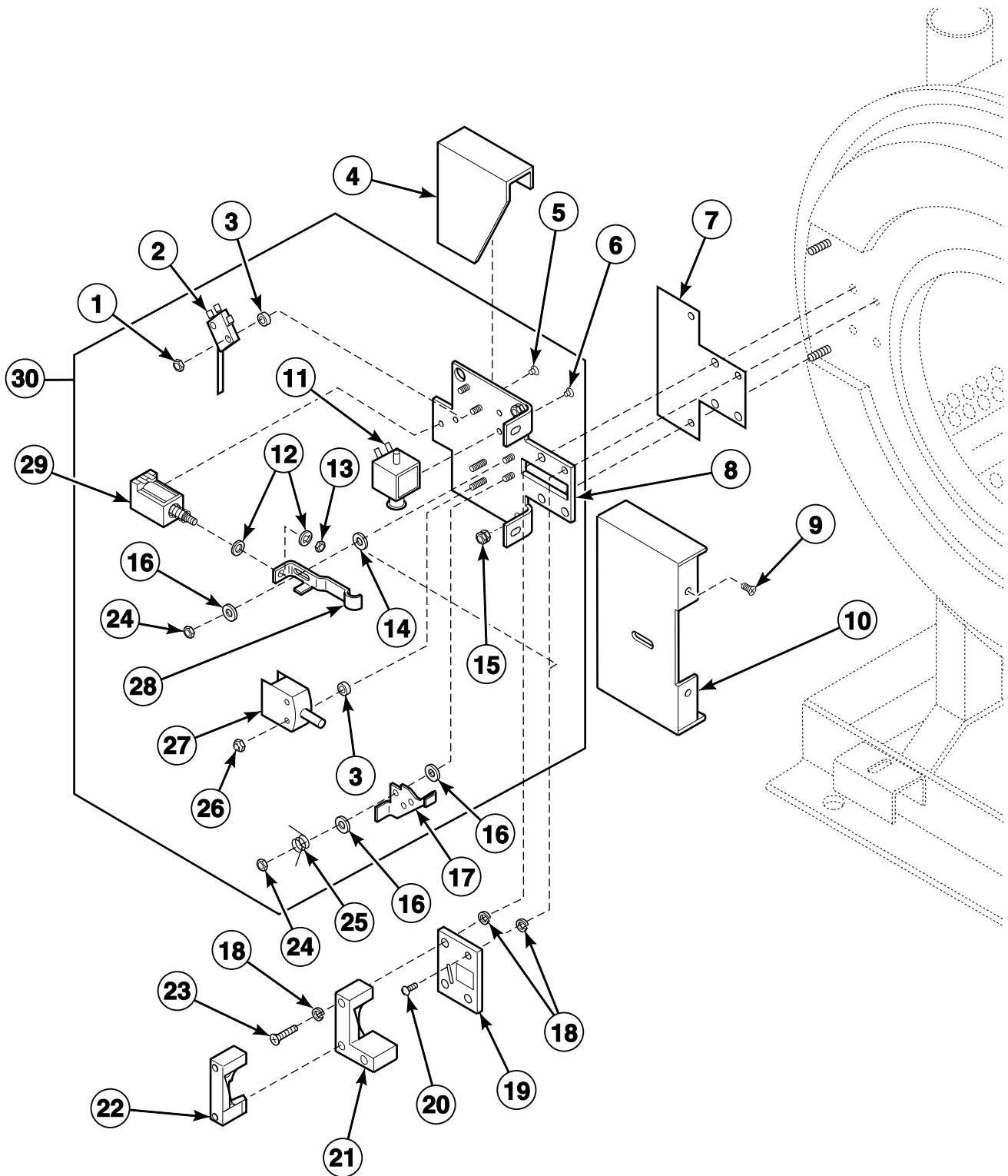


CHM2101P_F232173

Door and Outer Front Panel (Drawing 2 of 2)

REF	PART NO.	DESCRIPTION	COMMENTS
1	F430974	Bolt	
2	F430916	Screw	
3	F8390801	Magnet	OPL models and CE coin models
4	F430264	Nut	Tinnerman
5	J1111905	Blind Rivet	
6	F0340723-00	Magnetic Switch	
7	F602813-2	Rod	DC25, HC18, HC25, HC27, HC35, NC18, NC27, SC18, SC25, SC27, SC35, UC18, UC25, UC27 and UC35 models
	F602813-3	Rod	HC50, NC50, SC50 and UC50 models
8	F190216P	Door Hinge	
9	F200131000P	Door Hinge Shim Kit	As required
10	F430536	Screw	
11	F430215	Nut	
12	F150271	Door Mount	
13	F432293	Screw	
14	F8679201P	Trim	F8142701 Adhesive required for installation
15	F430986	Screw	

Door Lock - MC, MD, MH, MV and MX Models Through 12/96 - PC and VC Models

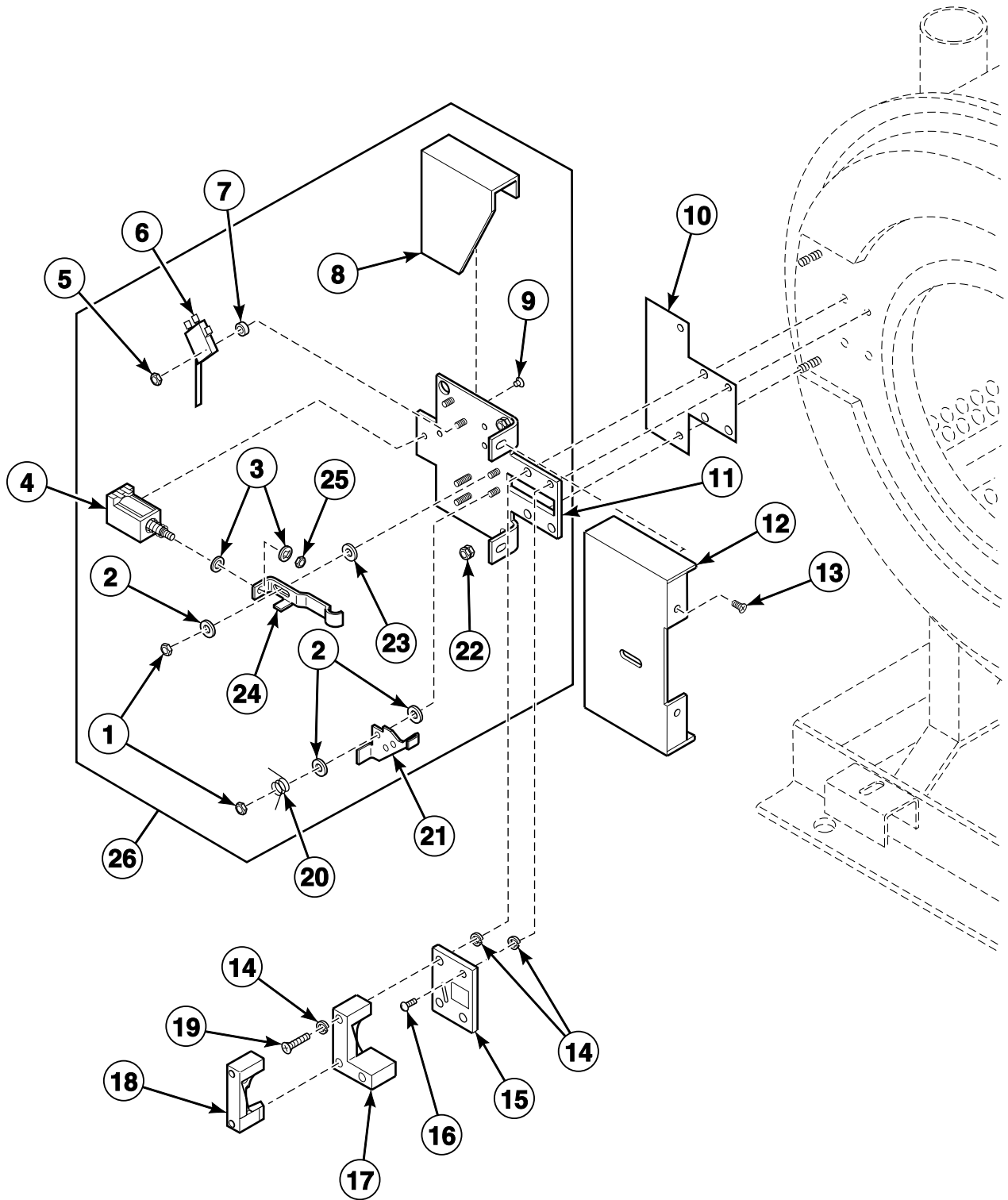


CHM1988P_F232173

Door Lock - MC, MD, MH, MV and MX Models Through 12/96 - PC and VC Models

REF	PART NO.	DESCRIPTION	COMMENTS
	F746507-2	Door Lock Pin Kit	Used to convert two solenoid to one solenoid type door lock
1	F430225	Nut	
2	F340919	Door Lock Microswitch	
3	F431901	Spacer	
4	F320200	Door Lock Splash Shield	
5	F430977	Screw	
6	F430978	Screw	
7	F603185	Door Lock Plate Shim	As required
8	F633734	Door Lock Plate Sub-Assembly	
9	F430174	Screw	
10	F603003	Door Lock Assembly Cover	
11	F300113P	Door Lock Solenoid	
12	F431123	Washer	
13	685846	Nut	
14	F431903	Washer	
15	F430215	Nut	
16	F431902	Washer	
17	F605381	Door Lock Lever	
18	F431100	Washer	
19	F602567	Door Lock Plate Cover	
20	F430925	Screw	
21	F150261	Door Lock Catch Casting	L-catch
22	F150223	Door Lock Catch	L-catch
23	F430983	Screw	HC18, HC25, HC27, SC18, SC25, SC27, UC18, UC25 and UC27 models
	F430982	Screw	HC35, HC50, SC35, SC50, UC35 and UC50 models
24	F430232	Nut	
25	F310110	Door Lock Torsion Spring	
26	F430231	Nut	
27	F340200	Door Switch	
28	F602540	Pushbutton Stop	
29	F300124P	Solenoid	120 Volt
	F300128P	Door Release Solenoid	110 Volt/220 Volt; 2 terminal
30	F603390-1P	Door Lock Assembly	HC18, HC25, HC27, HC35, SC18, SC25, SC27, SC35, UC18, UC25, UC27 and UC35 models; Includes items 1-3, 5, 6, 8, 11-14, 16, 17 and 23-28; 120 and 220 Volt
	F603390-2	Door Lock Assembly	HC50, SC50 and UC50 models; Includes items 1-3, 5, 6, 8, 11-14, 16, 17 and 23-28; 120 and 220 Volt
	F603390-4P	Door Lock Assembly	HC50, SC50 and UC50 models; Includes items 1-3, 5, 6, 8 and 11-28; 220 Volt

Door Lock - MN and PN Models Through 4/21/02

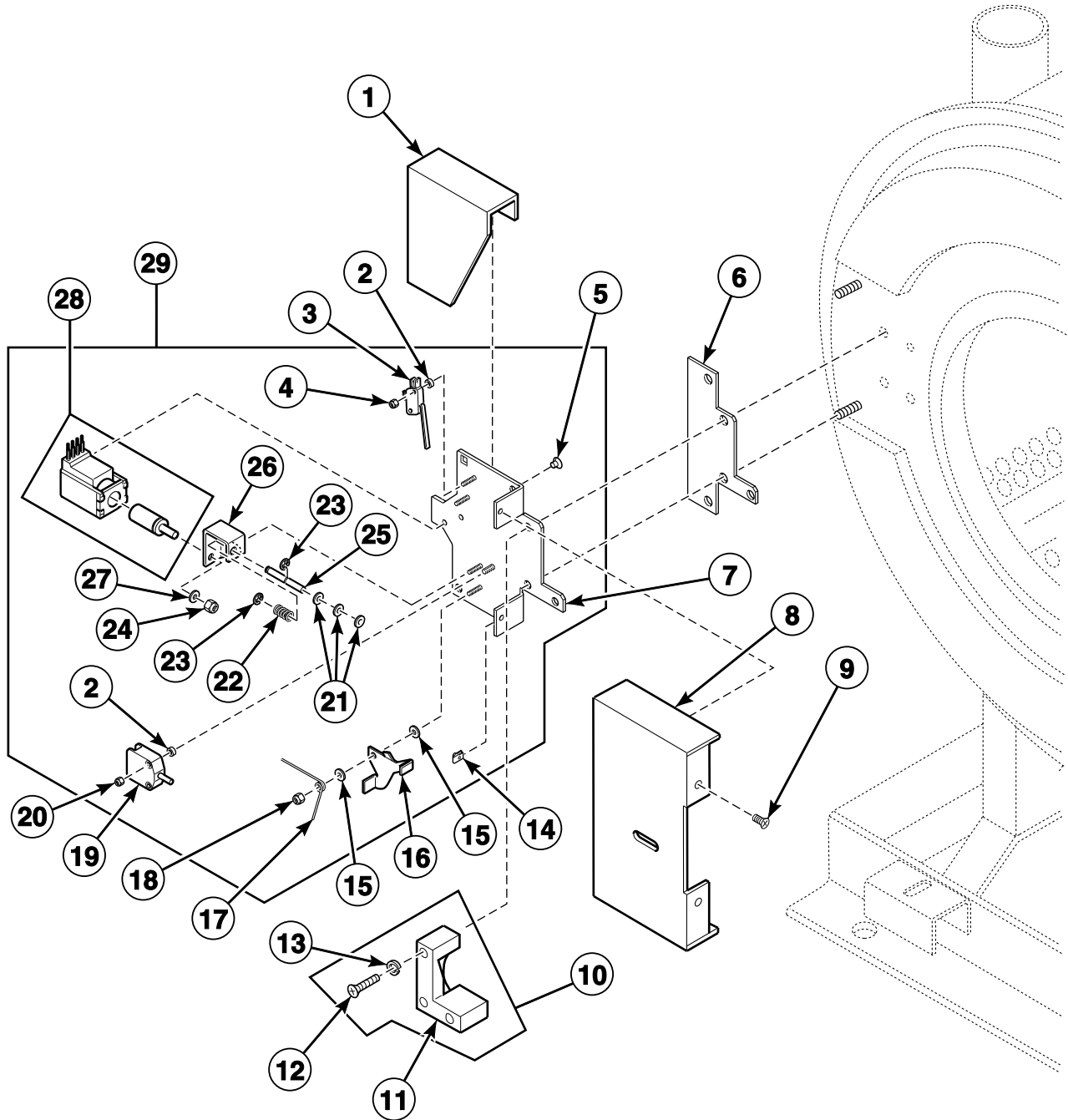


CHM2100P_F232173

Door Lock - MN and PN Models Through 4/21/02

REF	PART NO.	DESCRIPTION	COMMENTS
	F605406-2	Door Lock Wire Harness	120 Volt
1	F430232	Nut	
2	F431902	Washer	
3	F431123	Washer	
4	F300128P	Door Release Solenoid	110-220 Volt DC
	F0300131-00P	Door Lock Solenoid	240 Volt AC
5	F430225	Nut	
6	F340919	Door Lock Microswitch	
7	F431901	Spacer	
8	F320200	Door Lock Splash Shield	
9	F430977	Screw	
10	F603185	Door Lock Plate Shim	As required
11	F633734	Door Lock Plate Sub-Assembly	
12	F603003	Door Lock Assembly Cover	
13	F430174	Screw	
14	F431100	Washer	
15	F602567	Door Lock Plate Cover	
16	F430925	Screw	
17	F150261	Door Lock Catch Casting	L-catch
18	F150223	Door Lock Catch	L-catch
19	F430983	Screw	HC18, HC25, HC27, SC18, SC25, SC27, UC18, UC25 and UC27 models
	F430982	Screw	HC35, HC50, SC35, SC50, UC35 and UC50 models
20	F310110	Door Lock Torsion Spring	
21	F605381	Door Lock Lever	
22	F430215	Nut	
23	F431903	Washer	
24	F605382	Pushbutton Stop	
25	685846	Nut	
26	F605386-7P	Door Lock Assembly	HC18, HC25, HC27, HC35, SC18, SC25, SC27, SC35, UC18, UC25, UC27 and UC35 models; 120 Volt; Includes items 1-9, 11 and 19-24
	F605386-8P	Door Lock Assembly	HC50, SC50 and UC50 models; 120 Volt; Includes items 1-9, 11 and 19-24
	F605386-13	Door Lock Assembly	HC18, HC25, HC27, HC35, SC18, SC25, SC27, SC35, UC18, UC25, UC27 and UC35 models; 220 Volt; Includes items 1-9, 11 and 19-24
	F605386-14P	Door Lock Assembly	HC50, SC50 and UC50 models; 220 Volt; Includes items 1-9, 11 and 19-24

Door Lock - MC, MD, MH, MV and MX Models Starting 1/97 - PC and VC Models

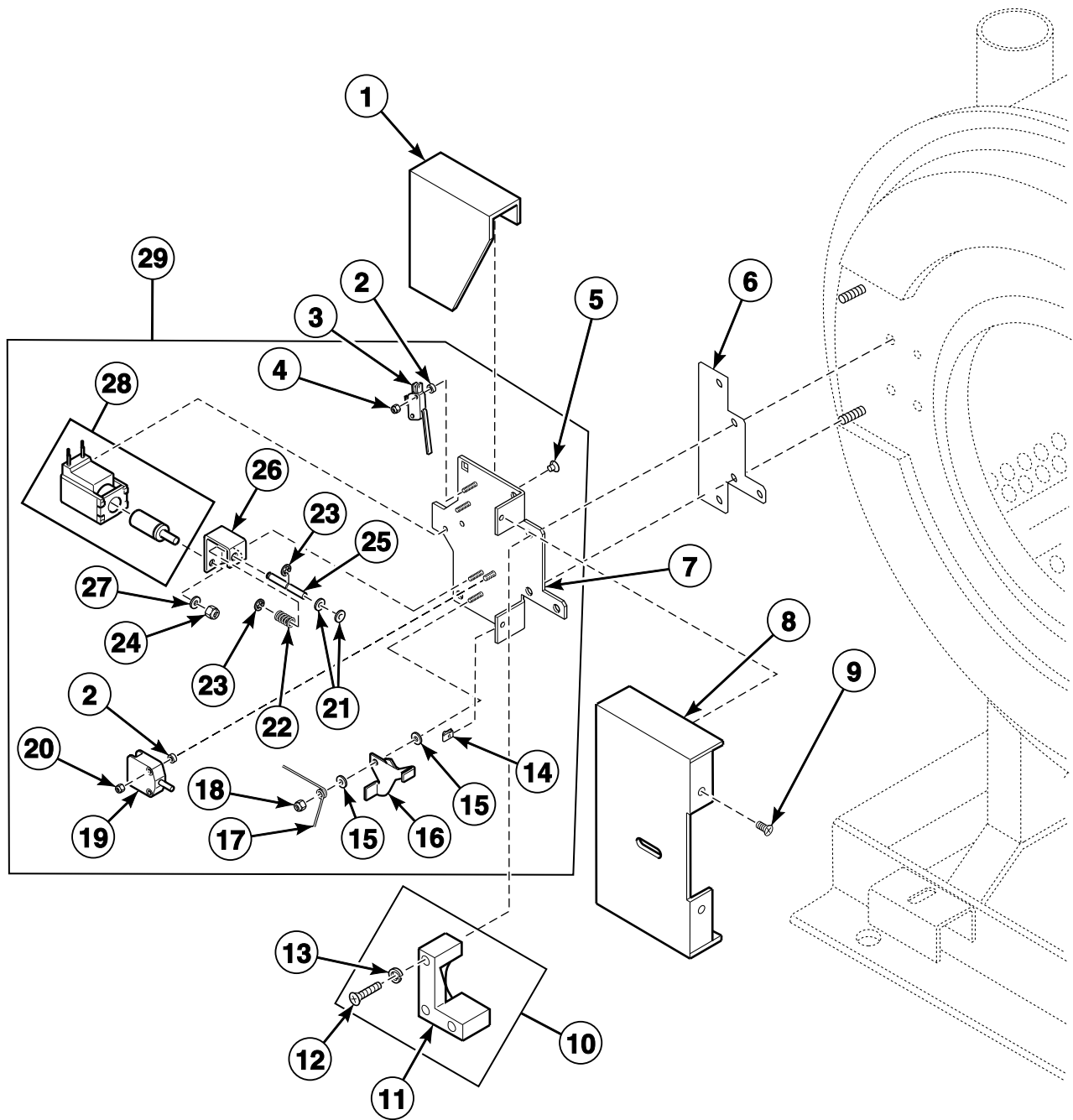


CHM2847P_F232173

Door Lock - MC, MD, MH, MV and MX Models Starting 1/97 - PC and VC Models

REF	PART NO.	DESCRIPTION	COMMENTS
	F634301	Door Lock Wire Harness	
1	F320200	Door Lock Splash Shield	
2	F431901	Spacer	
3	F200203200	Door Lock Microswitch	
4	F430225	Nut	
5	F430977	Screw	
6	F8059701	Door Lock Plate Shim	
7	F8066701	Door Lock Plate Assembly	
8	F603003	Door Lock Assembly Cover	
9	F430956	Screw	
10	F746808	L-Catch Kit	Includes items 11-13
11	F150261	Door Lock Catch Casting	
12	F430921	Screw	
13	F431100	Washer	
14	F430264	Nut	
15	F431902	Washer	
16	F0636636-00	Door Lock Switch Lever	
17	F310110	Door Lock Torsion Spring	
18	F430232	Nut	
19	F340200	Door Switch	
20	F430231	Nut	
21	F431147	Washer	
22	F310137	Door Lock Pin Release Spring	
23	F310205	E-Ring Retainer	
24	F431017	Nut	
25	F431231	Door Locking Linkage Pin	
26	F150455	Door Lock Pin Linkage	
27	F431123	Washer	
28	F300124P	Solenoid	
29	F0636698-04	Door Lock Assembly	PC and VC models with heat; Includes items 2-5, 7, 14-28 and the door lock harness
	F0636698-05P	Door Lock Assembly	PC and VC standard models; Includes items 2-5, 7, 14-28 and the door lock harness
	F0636698-06P	Door Lock Assembly	MC, MD, MH, MV and MX models; Includes items 2-5, 7, 14-28 and the door lock harness

Door Lock - EC, EP, EX, NC, NP, NR and NX Models

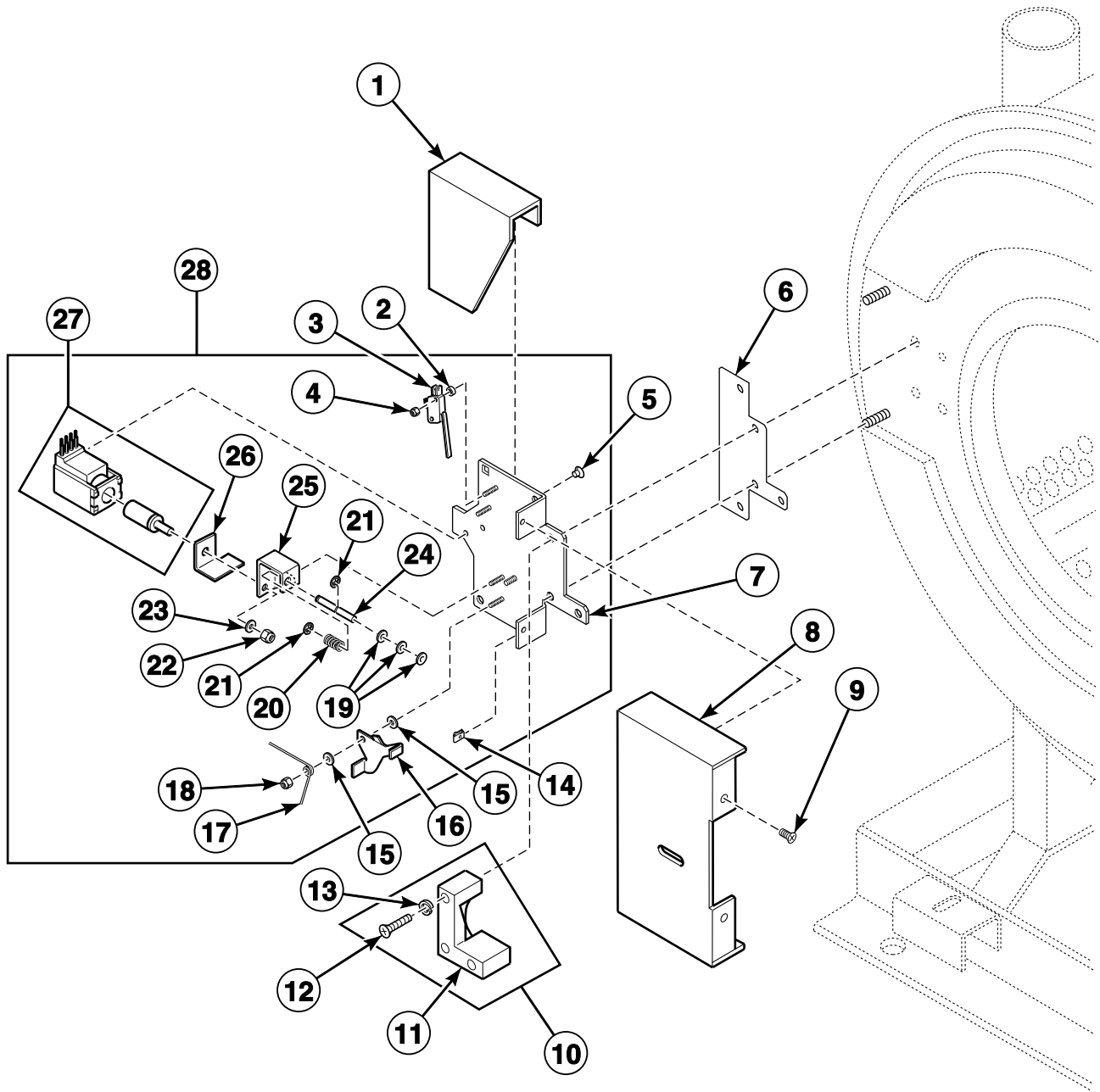


CHM3141P_F232173

Door Lock - EC, EP, EX, NC, NP, NR and NX Models

REF	PART NO.	DESCRIPTION	COMMENTS
	F0631986-02	Door Lock Wire Harness	Standard models
1	F320200	Door Lock Splash Shield	
2	F431901	Spacer	Nylon
3	F200203200	Door Lock Microswitch	
4	F430225	Nut	Nylon
5	F430977	Screw	
6	F8059701	Door Lock Plate Shim	
7	F8066701	Door Lock Plate Assembly	
8	F603003	Door Lock Assembly Cover	
9	F430956	Screw	
10	F746808	L-Catch Kit	Includes items 11-13
11	F150261	Door Lock Catch Casting	
12	F430982	Screw	
13	F431100	Washer	
14	F430264	Nut	
15	F431902	Washer	Nylon
16	F605381	Door Lock Lever	
17	F310110	Door Lock Torsion Spring	
18	F430232	Nut	Nylon
19	F340200	Door Switch	
20	F430231	Nut	
21	F431147	Washer	
22	F310137	Door Lock Pin Release Spring	
23	F310205	E-Ring Retainer	
24	F431017	Nut	
25	F431231	Door Locking Linkage Pin	
26	F150455	Door Lock Pin Linkage	
27	F431123	Washer	
28	F300125P	Solenoid	24 Volt
29	F0636698-01P	Door Lock Assembly	Standard models; Includes items 2-5, 7, 14-28, door lock wire harness and magnetic switch assembly
	F0636698-03	Door Lock Assembly	Models with heat; Includes items 2-5, 7, 14-28, door lock wire harness and magnetic switch assembly

Door Lock - MN, PN, SN and VN Models Starting 4/22/02

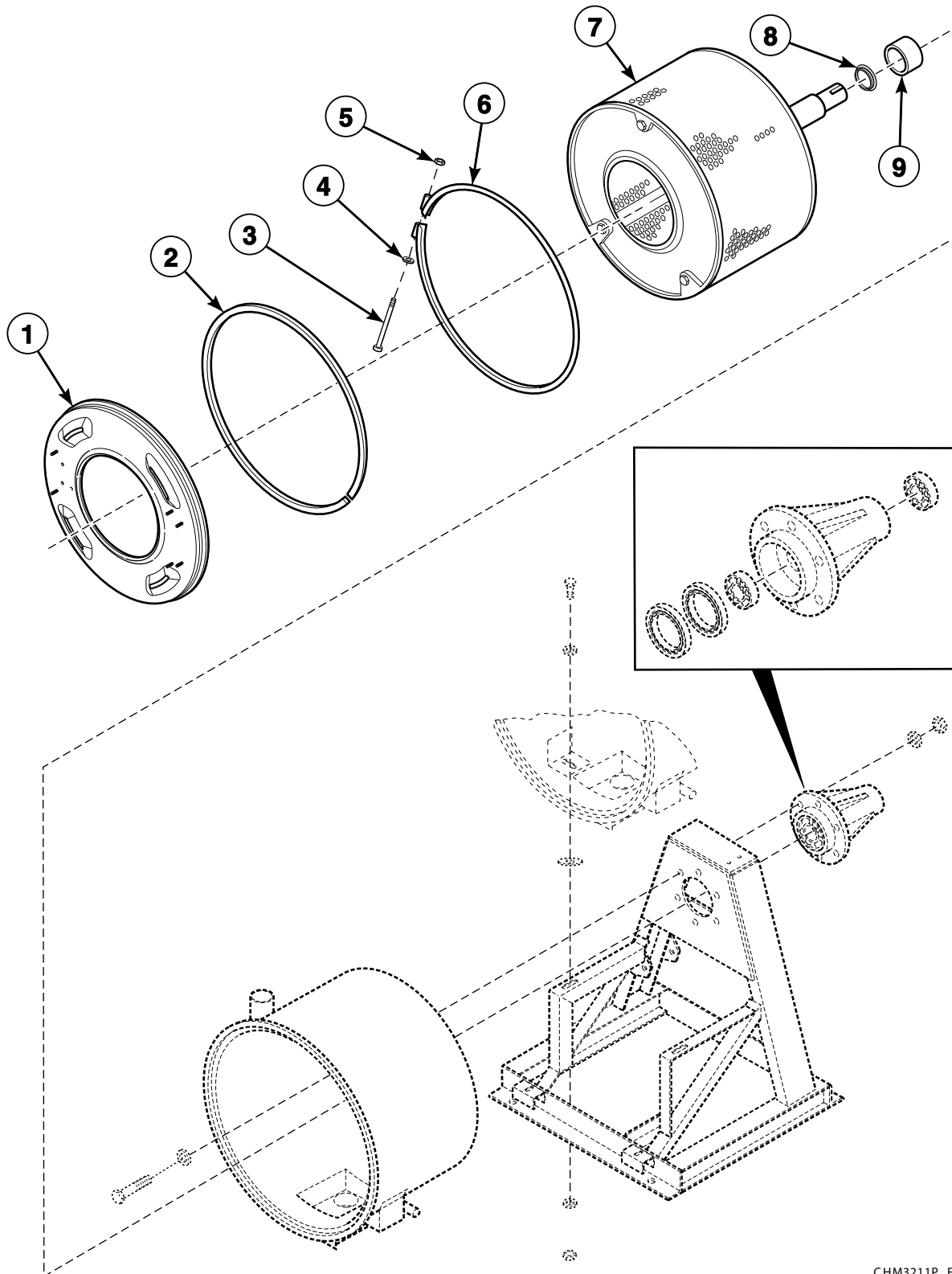


CHM2848P_F232173

Door Lock - MN, PN, SN and VN Models Starting 4/22/02

REF	PART NO.	DESCRIPTION	COMMENTS
1	F320200	Door Lock Splash Shield	
2	F431901	Spacer	
3	F200203200	Door Lock Microswitch	
4	F430225	Nut	
5	F430977	Screw	
6	F8059701	Door Lock Plate Shim	
7	F8066701	Door Lock Plate Assembly	
8	F603003	Door Lock Assembly Cover	
9	F430956	Screw	
10	F746808	L-Catch Kit	Includes items 11-13
11	F150261	Door Lock Catch Casting	
12	F430921	Screw	
13	F431100	Washer	
14	F430264	Nut	
15	F431902	Washer	
16	F0636636-00	Door Lock Switch Lever	
17	F310110	Door Lock Torsion Spring	
18	F430232	Nut	
19	F431147	Washer	
20	F310137	Door Lock Pin Release Spring	
21	F310205	E-Ring Retainer	
22	F431017	Nut	
23	F431123	Washer	
24	F431231	Door Locking Linkage Pin	
25	F150455	Door Lock Pin Linkage	
26	F0636103-00	Door Lock Retainer Latch	
27	F300128P	Door Release Solenoid	120 Volt
	F0300131-00P	Door Lock Solenoid	220 Volt
28	F0798839-00	Door Lock Kit	120 Volt; Includes items 2-5 and 14-27
	F0798839-01	Door Lock Kit	220 Volt; Includes items 2-5 and 14-27

Shell Front and Basket - 18, 25 and 27 Pound Models

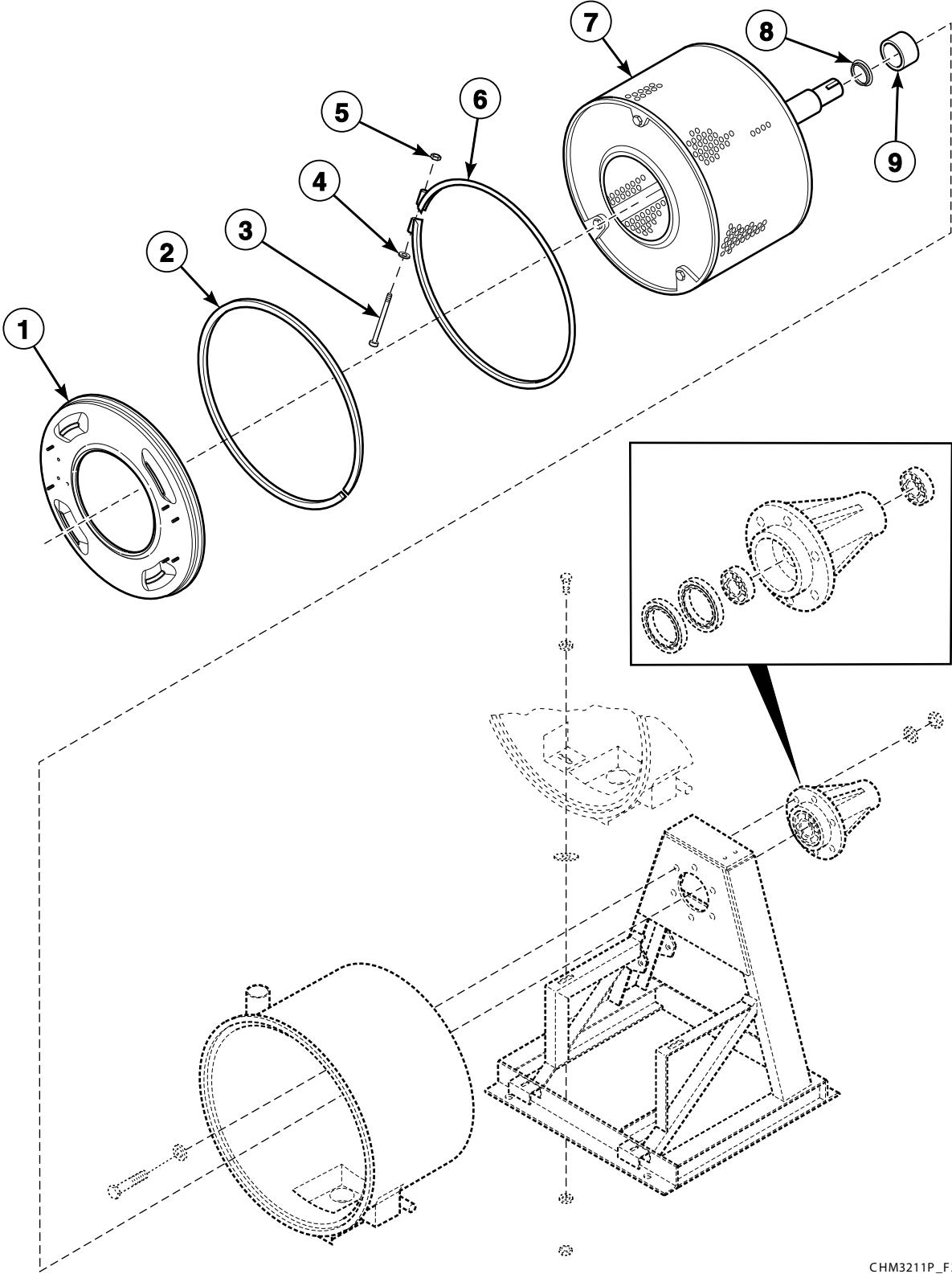


CHM3211P_F232173

Shell Front and Basket - 18, 25 and 27 Pound Models

REF	PART NO.	DESCRIPTION	COMMENTS
	389P4	Basket Tool Kit	18 and 27 pound models; Purchase; Use with F935P3 and F936P3 Pressfit Upgrade Kits; Requires F460129P Bearing Puller Tool
	390P4-1	Basket Rental Tool Kit	18 and 27 pound models; Use with F935P3 and F936P3 Pressfit Upgrade Kits; Requires F460129P Bearing Puller Tool
1	F741300P	Shell Front Kit	HC18, HC25, SC18, SC25, UC18 and UC25 MC, MD, MH, MN, MV, MX, PC, PN, SN, SN, VC and VN models; Includes item 6
	F609270-1	Shell Front Assembly	DC25, HC18, HC25, NC18, SC18 and SC25 EC, EP, EX, NC, NP, NR and NX models; Includes item 6
	F632006P	Shell Front Assembly	HC27, NC27, SC27 and UC27 models; Includes item 6
2	F792000	Shell Front Gasket Kit	Includes items 3-5 and F410102 Clear Sealant
	F8513501	Shell Front Gasket Kit	
3	F430518	Screw	
4	F430317	Washer	
5	F430215	Nut	
6	F8537801	Shell Band Kit	HC18, HC25, SC18, SC25, UC18 and UC25 MC, MD, MH, MN, MV, MX, PC, PN, SN, VC and VN models; Includes items 4 and 5
	F602757	Shell Band Assembly	DC25, HC18, HC25, NC18, SC18 and SC25 EC, EP, EX, NC, NP, NR and NX models
	F8388002	Clamp Ring Assembly	HC27, NC27, SC27 and UC27 models; Includes items 4 and 5
7	F935P3	Pressfit Upgrade Kit	HC18, NC18, SC18 and UC18 models; Includes items 8 and 9, F8347801 Basket Assembly and F747001 Trunnion Kit
	F8391301P	Basket Assembly	HC18, NC18, SC18 and UC18 models that have been upgraded with F935P3 Pressfit Upgrade Kit; Includes items 8 and 9
	F8391305P	Basket Assembly	DC25, HC25, SC25 and UC25 models; Includes item 9
	F936P3	Pressfit Upgrade Kit	HC27, NC27, SC27 and UC27 models; Includes items 8, 9, F8347901 Basket Assembly and F747002 Trunnion Kit
	F8347901P	Basket Assembly	HC27, NC27, SC27 and UC27 models that have been upgraded with F936P3 Pressfit Upgrade Kit; Includes items 8 and 9
8	F8336801	Excluder Seal	HC18, NC18, SC18 and UC18 models that have been upgraded with F935P3 Pressfit Upgrade Kit
	F8336901	Excluder Seal	HC27, NC27, SC27 and UC27 models that have been upgraded with F936P3 Pressfit Upgrade Kit
9	F8312002P	Shaft Seal Sleeve	HC18, NC18, SC18 and UC18 models
	F8312001P	Shaft Seal Sleeve	HC18, NC18, SC18 and UC18 models that have been retrofitted with F934P3 Upgrade Kit; DC25, HC25, SC25 and UC25 models
	F8343901P	Shaft Seal Sleeve Kit	HC18, NC18, SC18 and UC18 models that have been upgraded with F935P3 Pressfit Upgrade Kit
	F8312004P	Shaft Seal Sleeve	HC27, NC27, SC27 and UC27 models
	F8343904P	Shaft Seal Sleeve Kit	HC27, NC27, SC27 and UC27 models that have been upgraded with F936P3 Pressfit Upgrade Kit

Shell Front and Basket - 35 and 50 Pound Models

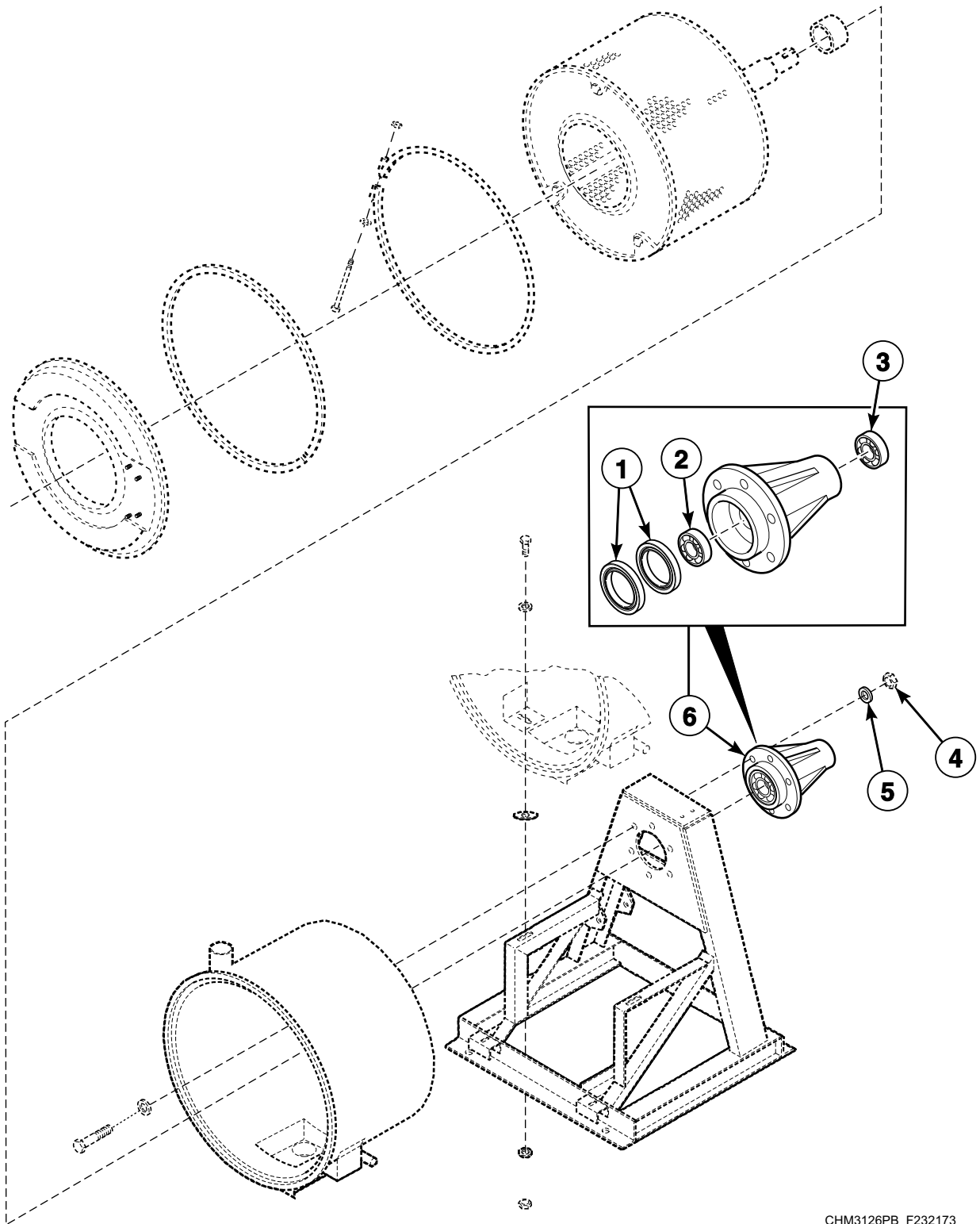


CHM3211P_F232173

Shell Front and Basket - 35 and 50 Pound Models

REF	PART NO.	DESCRIPTION	COMMENTS
	F942P3	Pressfit Upgrade Kit	HC50, NC50, SC50 and UC50 models; Includes items F79200 Shell Front Gasket Kit, F8502803 Basket Assembly and F8335701 Bearing Housing Assembly
	RB100005	Bearing Kit	HC50, NC50, SC50 and UC50 models
1	F741301-01	Shell Front Kit	HC35, SC35 and UC35 models; Includes item 6
	F609272-1P	Shell Front Assembly	HC50, NC50 and SC50 EC, EP, EX, NC, NP, NR and NX models; Includes item 6
	F741302-01	Shell Front Kit	HC50, SC50 and UC50 MC, MD, MH, MN, MV, MX, PC, PN, SN, VC and VN models; Includes item 6
2	F792000	Shell Front Gasket Kit	Includes items 3-5 and F410102 Clear Sealant
	F8513501	Shell Front Gasket Kit	
3	F430518	Screw	
4	F430317	Washer	
5	F430215	Nut	
6	F8537803	Shell Band Kit	HC35, SC35 and UC35 models; Includes items 4 and 5
	F8537804	Shell Band Kit	HC50, NC50, SC50 and UC50 models; Includes items 4 and 5
7	F603225-1	Basket Assembly	HC35, SC35 and UC35 models; Includes item 9
	F603900-1	Basket Assembly	HC50, NC50, SC50 and UC50 models; Includes item 9
	F8502803	Basket Assembly	HC50, NC50, SC50 and UC50 models that have been upgraded with F942P3 Pressfit Upgrade Kit; Includes item 9; Replaces F603900-1 Basket Assembly
8	F8337101	Excluder Seal	HC50, NC50, SC50 and UC50 models that have been upgraded with F942P3 Pressfit Upgrade Kit
9	F8312003P	Shaft Seal Sleeve	HC35, SC35 and UC35 models
	F8312008P	Shaft Seal Sleeve	HC50, NC50, SC50 and UC50 models that have not been upgraded with F942P3 Pressfit Upgrade Kit
	F8343909P	Shaft Seal Sleeve Kit	HC50, NC50, SC50 and UC50 models that have been upgraded with F942P3 Pressfit Upgrade Kit; Use with F8438401 Basket Assembly
	F8343914	Shaft Seal Sleeve	HC50, NC50, SC50 and UC50 models that have been upgraded with F942P3 Pressfit Upgrade Kit; Use with F8502803 Basket Assembly

Trunnion Assembly

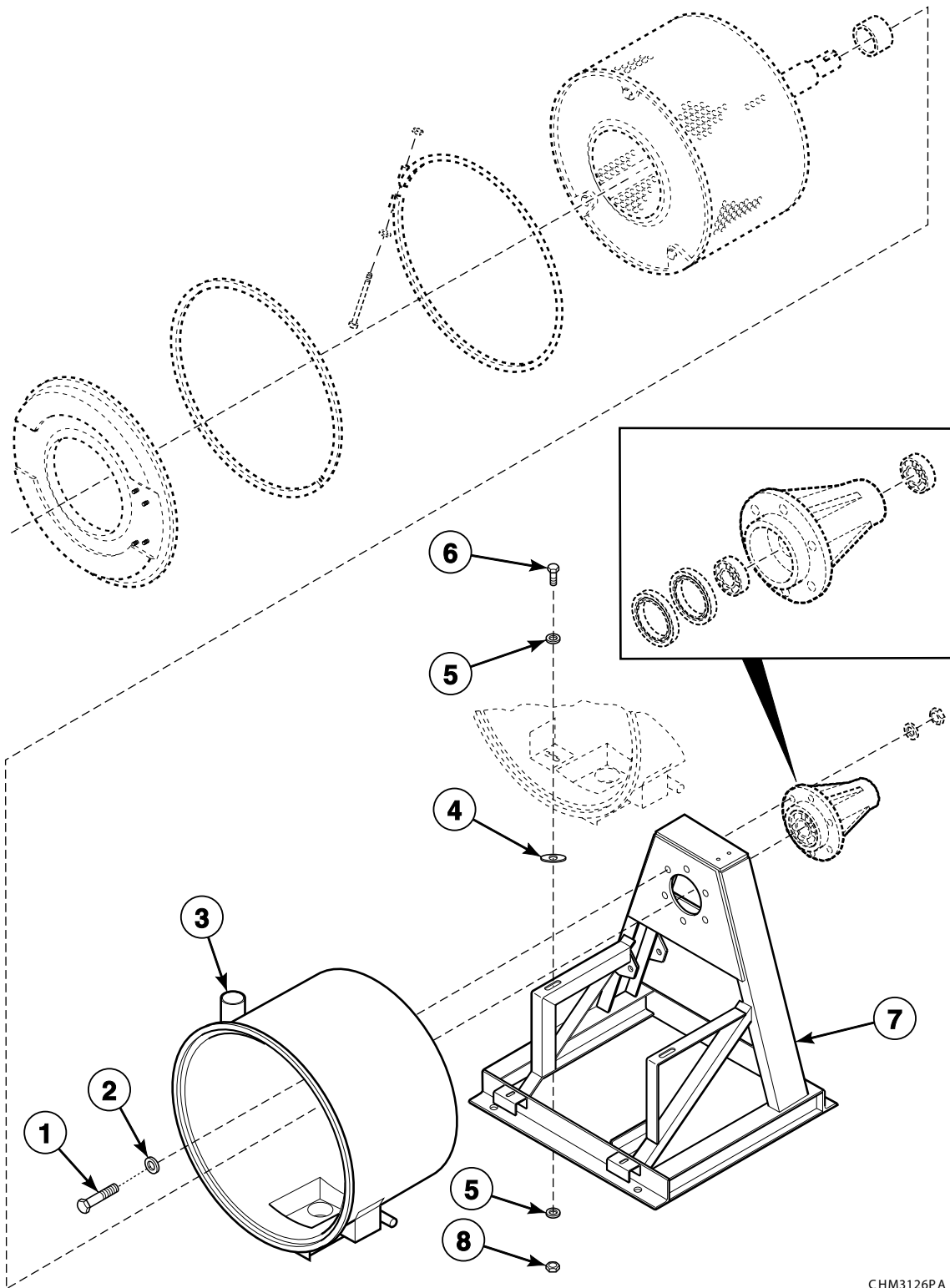


CHM3126PB_F232173

Trunnion Assembly

REF	PART NO.	DESCRIPTION	COMMENTS
1	F100208	Shaft Seal	HC18, SC18 and UC18 models
	F8203801	Triple Lip Seal	HC18, SC18 and UC18 models that have been upgraded with F934P3 Upgrade Kit; DC25, HC25, SC25 and UC25 models
	F8203802	Triple Lip Seal	HC27, HC35, SC27, SC35, UC27 and UC35 models
	F8203805	Triple Lip Seal	HC50, NC50, SC50 and UC50 models
	F8203806	Triple Lip Seal	HC50, NC50, SC50 and UC50 models; Models that have been upgraded with F942P3 Pressfit Upgrade Kit
2	F100123P	Bearing	6309 2RS C3; HC27, HC35, NC27, SC27, SC35, UC27 and UC35 models
	F100122	Bearing	6312 2RS C3; HC50, NC50, SC50 and UC50 models
	F100137P	Bearing	6308 2RS C3; HC18, NC18, SC18 and UC18 models
	F100135	Bearing	6313 2RS C3; HC50, NC50, SC50 and UC50 models; Models that have been upgraded with F942P3 Pressfit Upgrade Kit
3	F100108	Bearing	6208 2RS C3; HC27, HC35, NC27, SC27, SC35, UC27 and UC35 models
	F100123P	Bearing	6309 2RS C3; HC50, NC50, SC50 and UC50 models
	F100134	Bearing	6310 2RS C3; HC50, NC50, SC50 and UC50 models; Models that have been upgraded with F942P3 Pressfit Upgrade Kit
	F100136P	Bearing	6307 2RS C3; HC18, NC18, SC18 and UC18 models
4	F430239	Nut	DC25, HC18, HC25, HC27, NC18, NC27, SC18, SC25, SC27, UC18, UC25 and UC27 models
	F430240	Nut	HC35, HC50, NC50, SC35, SC50, UC35 and UC50 models
5	F431128	Washer	DC25, HC18, HC25, HC27, NC18, NC27, SC18, SC25, SC27, UC18, UC25 and UC27 models
	F431131	Washer	HC35, HC50, NC50, SC35, SC50, UC35 and UC50 models
6	F747001	Trunnion Kit	HC18, NC18, SC18 and UC18 models that have been upgraded with F935P3 Pressfit Upgrade Kit; DC25, HC25, SC25 and UC25 models; Includes items 1-5, F792000 Shell Front Gasket Kit, F8344901 Retaining Ring, F8345201 Bearing Housing and F430949 Screw
	F747002	Trunnion Kit	HC27, HC35, NC27, SC27, SC35, UC27 and UC35 models; Includes Items 1-5, F792000 Shell Front Gasket Kit, F8345001 Retaining Ring, F8345101 Bearing Housing and F430987 Screw
	F942P3	Pressfit Upgrade Kit	HC50, NC50, SC50 and UC50 models; Includes items 1-5, F792000 Shell Front Gasket Kit, F602835 Bearing Housing, F150237 Bearing Housing and F430987 Screw
	F747005	Trunnion Kit	HC50, NC50, SC50 and UC50 models that have been upgraded with F942P3 Pressfit Upgrade Kit; Includes items 1-5, F792000 Shell Front Gasket Kit, F8337901 Retaining Ring, F8335901 Bearing Housing and F430987 Screw

Outer Shell and Frame

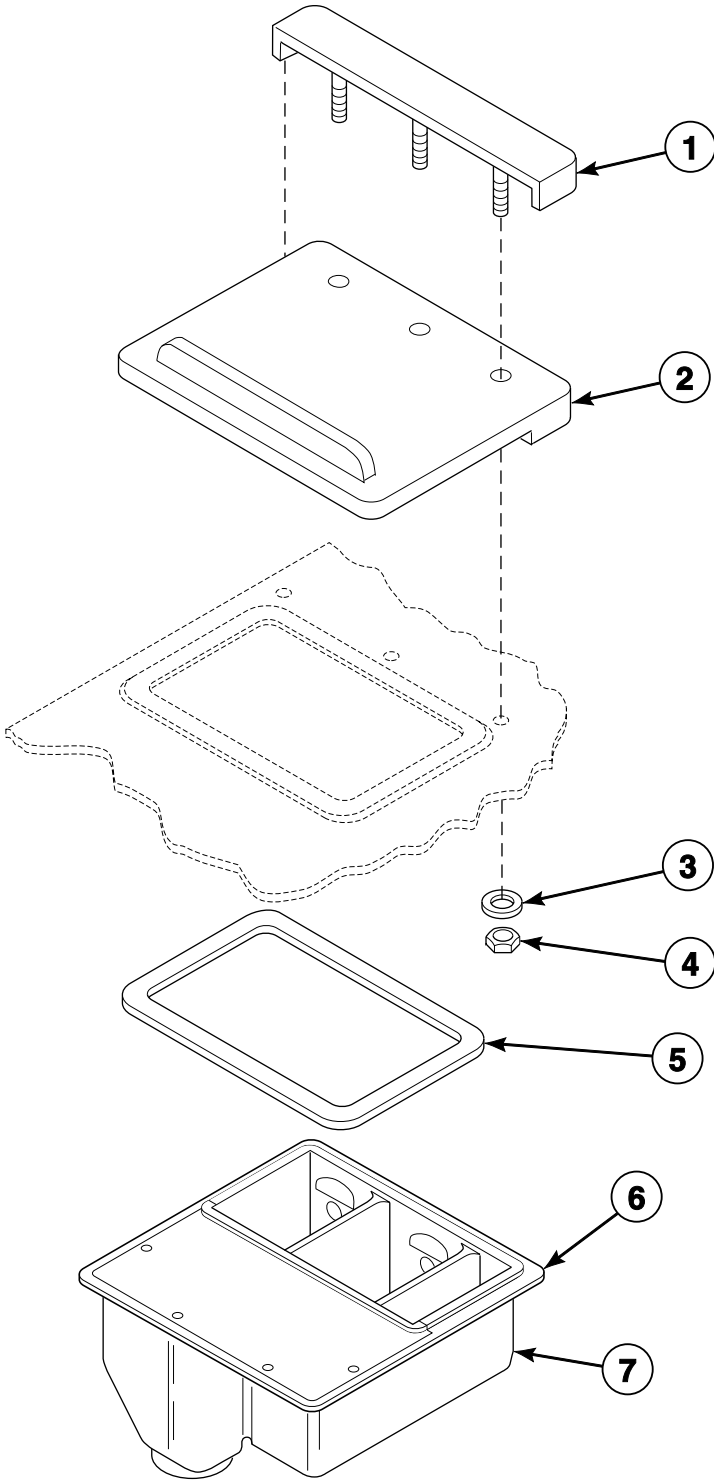


CHM3126PA_F232173

Outer Shell and Frame

REF	PART NO.	DESCRIPTION	COMMENTS
1	F430949	Screw	DC25, HC18, HC25, HC27, NC18, NC27, SC18, SC25, SC27, UC18, UC25 and UC27 models
	F430987	Screw	HC35, HC50, NC50, SC35, SC50, UC35 and UC50 models
2	F431128	Washer	DC25, HC18, HC25, HC27, NC18, NC27, SC18, SC25, SC27, UC18, UC25 and UC27 models
	F431131	Washer	HC35, HC50, NC50, SC35, SC50, UC35 and UC50 models
3	F634600	Shell Weldment	HC18, NC18, SC18 and UC18 models
	F634608	Shell Weldment	DC25, HC25, SC25 and UC25 models; HC27, SC27 and UC27 MC, MD, MH, MN, MV, MX, PC, PN, SN, VC and VN models
	F634663	Shell Weldment	HC27, NC27 and SC27 EC, EP, EX, NC, NP, NR and NX models
	F606981	Shell Assembly	HC35 and SC35 EC, EP, EX, NC, NP, NR and NX models
	F741008	Shell Kit	HC35, SC35 and UC35 MC, MD, MH, MN, MV, MX, PC, PN, SN, VC and VN models; Includes items 4, 5, 8, F20014200 Air Trap Hose, F200205 Hose Clamp (No. 10), F200213 Hose Clamp (No. 40), F200215 Hose Clamp (No. 28), 800461 Screw and F634637 Shell Weldment
	F634644	Shell Weldment	HC50, NC50, SC50 and UC50 models
4	F430303	Washer	
5	F430218	Nut	
6	F430942	Screw	
7	F607003	Frame Assembly	HC18, NC18, SC18 and UC18 models
	F606178	Frame Assembly	DC25, HC25, SC25 and UC25 models
	F630232	Frame Assembly	HC27, NC27, SC27 and UC27 models
	F607004	Frame Assembly	HC35, SC35 and UC35 models
	F607005	Frame Assembly	HC50, NC50, SC50 and UC50 models
8	M400081	Washer	

**Dispenser - MC, MD, MH, MN, MV, MX,
PC, PN, SN, VC and VN Models**

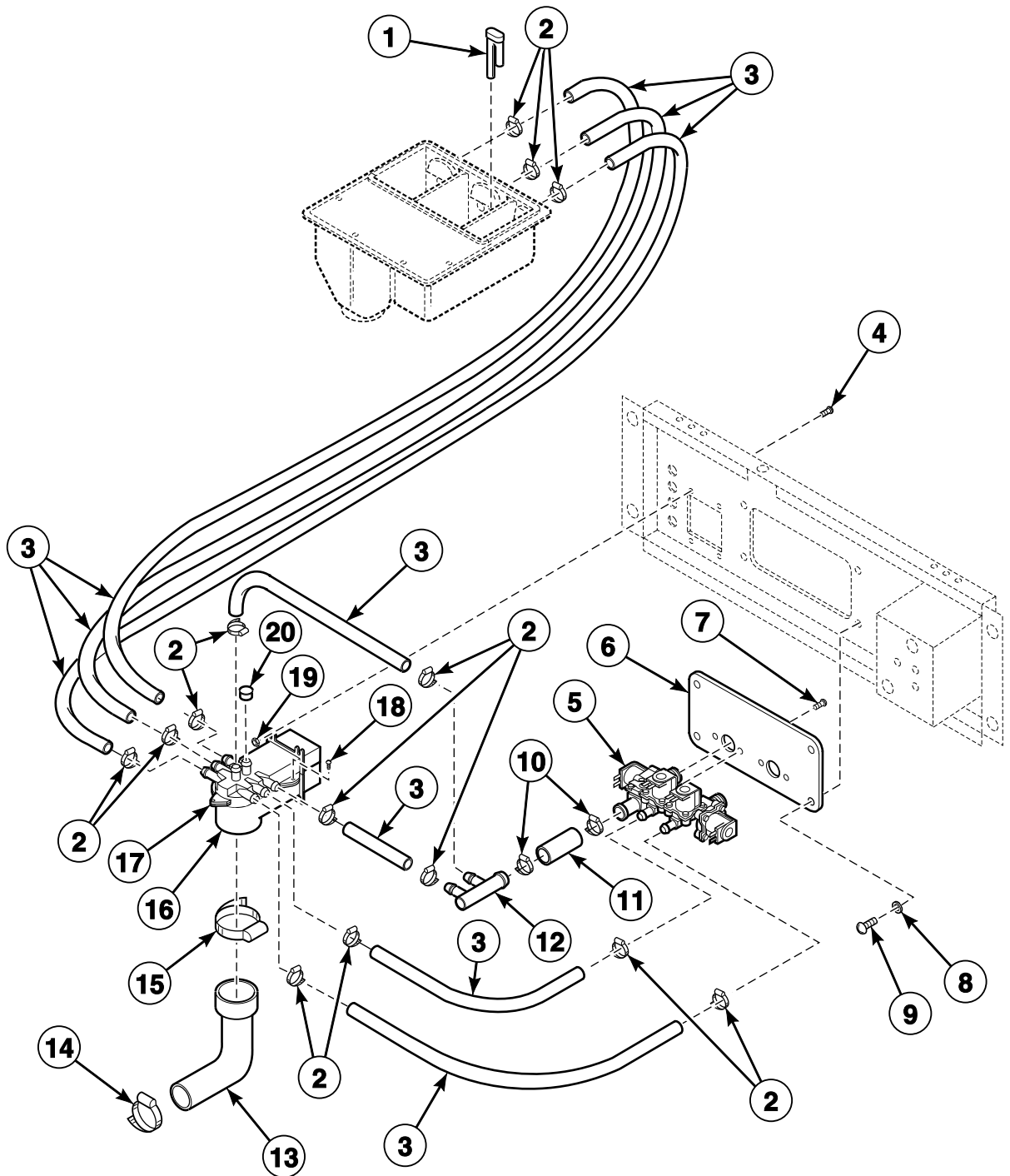


B015P_F232173

Dispenser - MC, MD, MH, MN, MV, MX, PC, PN, SN, VC and VN Models

REF	PART NO.	DESCRIPTION	COMMENTS
	F606681	Soap Box Insert	MN, PN, SN and VN models
1	F630430	Lid Clamp Assembly	
2	F200270500	Supply Dispenser Lid	MC, MD, MH, MN, MV and MX models
	F200270501	Supply Dispenser Lid	PC, PN, SN, VC and VN models
3	F431147	Washer	
4	F431024	Nut	
5	F170170	Supply Dispenser Gasket	
6	F150420	Supply Dispenser Lid	
7	F200202201P	Supply Dispenser Assembly	MC, MD, MH, MV and MX models
	F602374	Supply Dispenser Sub-Assembly	MN, PC, PN, SN, VC and VN models; Includes item 6

Supply Dispenser Assembly with Mueller Valve - MC, MD, MH, MN, MV, MX, PC, PN, SN, VC and VN Models



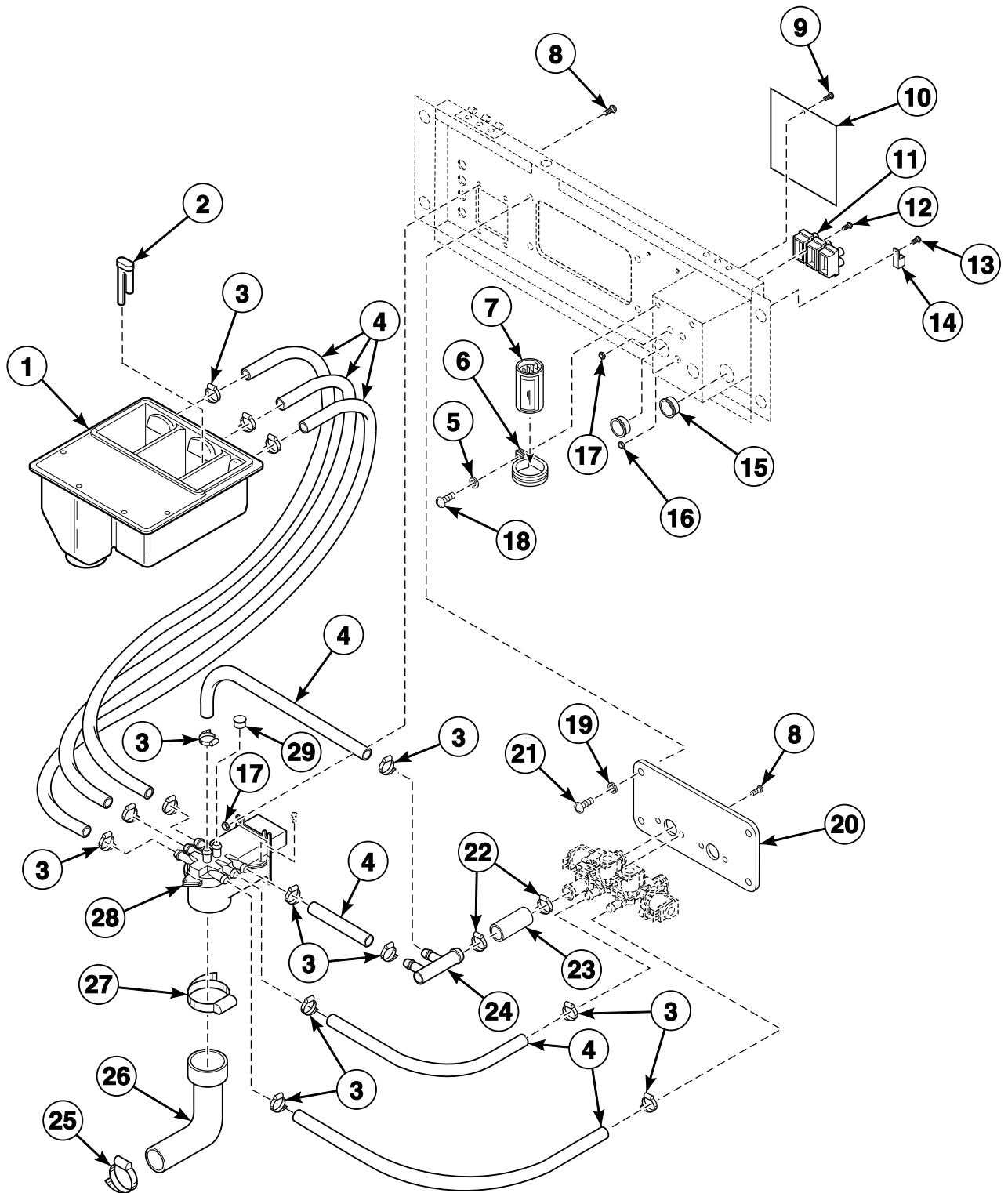
CHM1630P_F232173

Supply Dispenser Assembly with Mueller Valve - MC, MD, MH, MN, MV, MX, PC, PN, SN, VC and VN Models

REF	PART NO.	DESCRIPTION	COMMENTS
1	F150390	Siphon Tube	Optional
2	36801	Hose Clamp	No. 6
3	F200108P	Water Hose	
4	F430916	Screw	
5	F798709	Elbi Conversion Kit	120 Volt; Includes items 4, 8, 18, F140605 Cable Tie, F170400 Trim, F200207 Hose Clamp, F381720 3-Way Valve, F381728 3-Way Valve, F422802 Tee, F430177 Screw, 20290 Washer and F270200 Strainer
	F798710	3-Way Mixing Valve Kit	Includes F270200 Strainer; 220 Volt
6	F606595	Mounting Plate	
7	F430948	Screw	
8	F430322	Washer	
9	F430929	Screw	
10	F200205	Hose Clamp	No. 10
11	F200128P	Water Hose	
12	F8333201	Manifold	
13	F150321	Vacuum Breaker Hose	HC18, HC25, HC27, HC35, SC18, SC25, SC27, SC35, UC18, UC25, UC27 and UC35 models
	F150340	Vacuum Breaker Hose	HC50, SC50 and UC50 models
14	F200213	Hose Clamp	No. 40
15	N/A	Hose Clamp	No. 48
16	F015033000	Vacuum Breaker Bottom	
	F603031	Vacuum Breaker Assembly	Includes items 17 and 18
17	F0150329-00	Vacuum Breaker Top	
18	F430177	Screw	
19	F430231	Nut	
20	F190301	Cap Plug	

N/A = Part no longer available

Supply Dispenser Assembly with Mueller Valve - EC, EP, EX, NC, NP, NR and NX Models



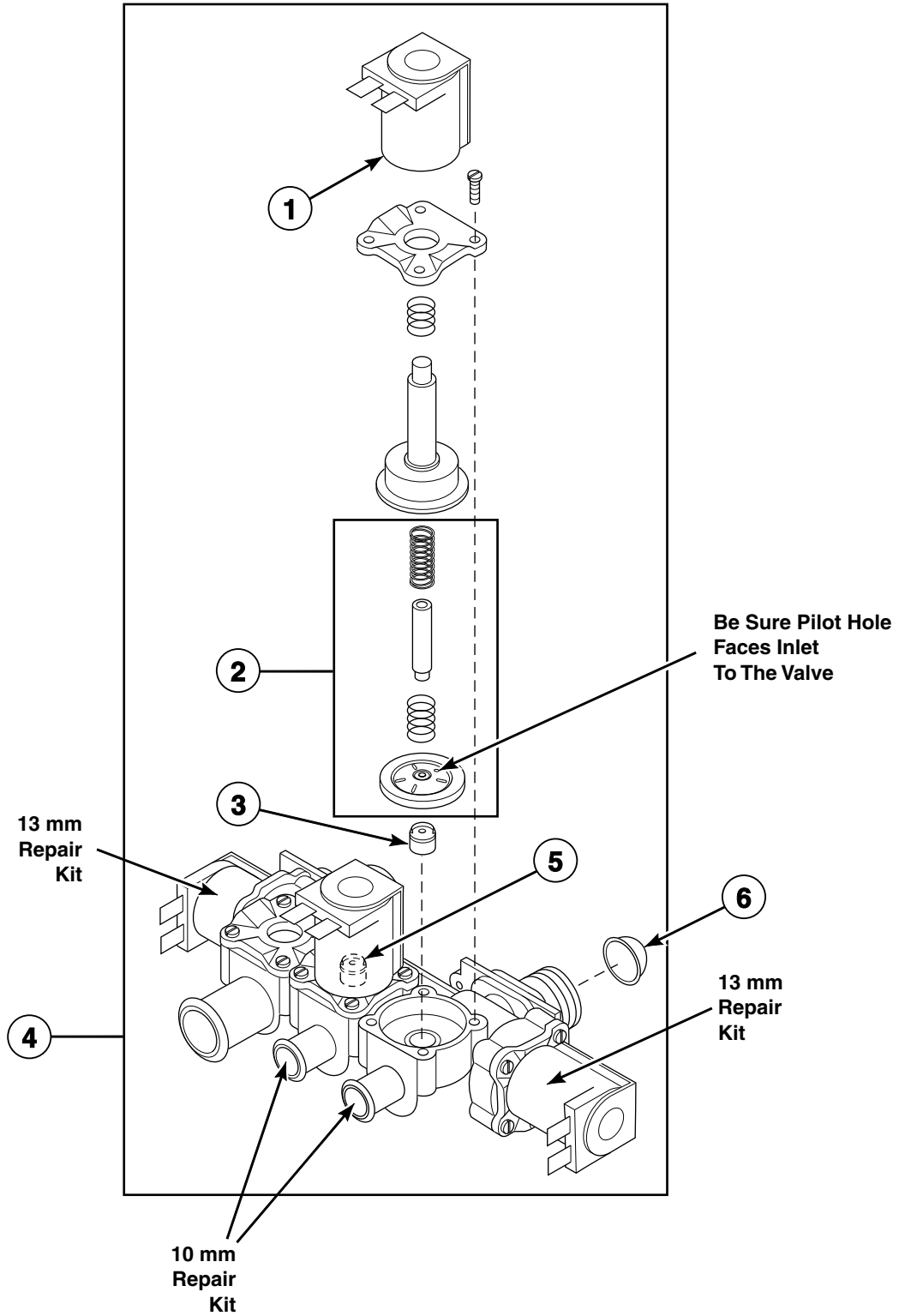
CHM3142P_F232173

Supply Dispenser Assembly with Mueller Valve - EC, EP, EX, NC, NP, NR and NX Models

REF	PART NO.	DESCRIPTION	COMMENTS
	F798709	Elbi Conversion Kit	120 Volt; Includes item 3, F0150329-00 Vacuum Breaker Top, F140605 Cable Tie, F170400 Trim, F200207 Hose Clamp, F381720 3-Way Valve, F381728 3-Way Valve, F422802 Tee, F430177 Screw, F430948 Screw and 20290 Washer
	F798711	Elbi Conversion Kit	24 Volt; Includes item 3, F0150329-00 Vacuum Breaker Top, F140605 Cable Tie, F170400 Trim, F200207 Hose Clamp, F381720 3-Way Valve, F381728 3-Way Valve, F422802 Tee, F430177 Screw, F430948 Screw and 20290 Washer
1	F200202201P	Supply Dispenser Assembly	
2	F150390	Siphon Tube	
3	36801	Hose Clamp	
4	F200108P	Water Hose	Order 8 feet
5	F430311	Washer	
6	F0340722-00	Switch Clamp	
7	F340002	Motor Switch	
8	F430948	Screw	
9	F430174	Screw	
10	F602533	Input Power Connection Box Cover	
11	F140748	Input Power Block	2 terminal
	F140747	Input Power Block	3 terminal
	F140746	Input Power Block	4 terminal
12	F430938	Screw	
13	F430903	Screw	
14	F140734	Ground Terminal Lug	
15	F140909	Insulator Bushing	
16	F430232	Nut	
17	F430231	Nut	
18	F430177	Screw	
19	F430322	Washer	
20	F606595	Mounting Plate	
21	F430929	Screw	
22	F200222	Hose Clamp	No. 12
23	F606816-1	Hose	
24	F8333201	Manifold	
25	F200213	Hose Clamp	No. 40
26	F150321	Vacuum Breaker Hose	HC18, HC35, NC18, SC18 and SC35 models
	F150372	Fill Hose	DC25, HC25, HC27, NC27, SC25 and SC27 models
	F0150340-01	Vacuum Breaker Fill Hose	HC50, NC50 and SC50 models
27	N/A	Hose Clamp	
28	F603031	Vacuum Breaker Assembly	Complete; Includes screws
	F0150329-00	Vacuum Breaker Top	
	F015033000	Vacuum Breaker Bottom	Bottom
29	F190301	Cap Plug	

N/A = Part no longer available

3-Way Mixing Valve - Mueller

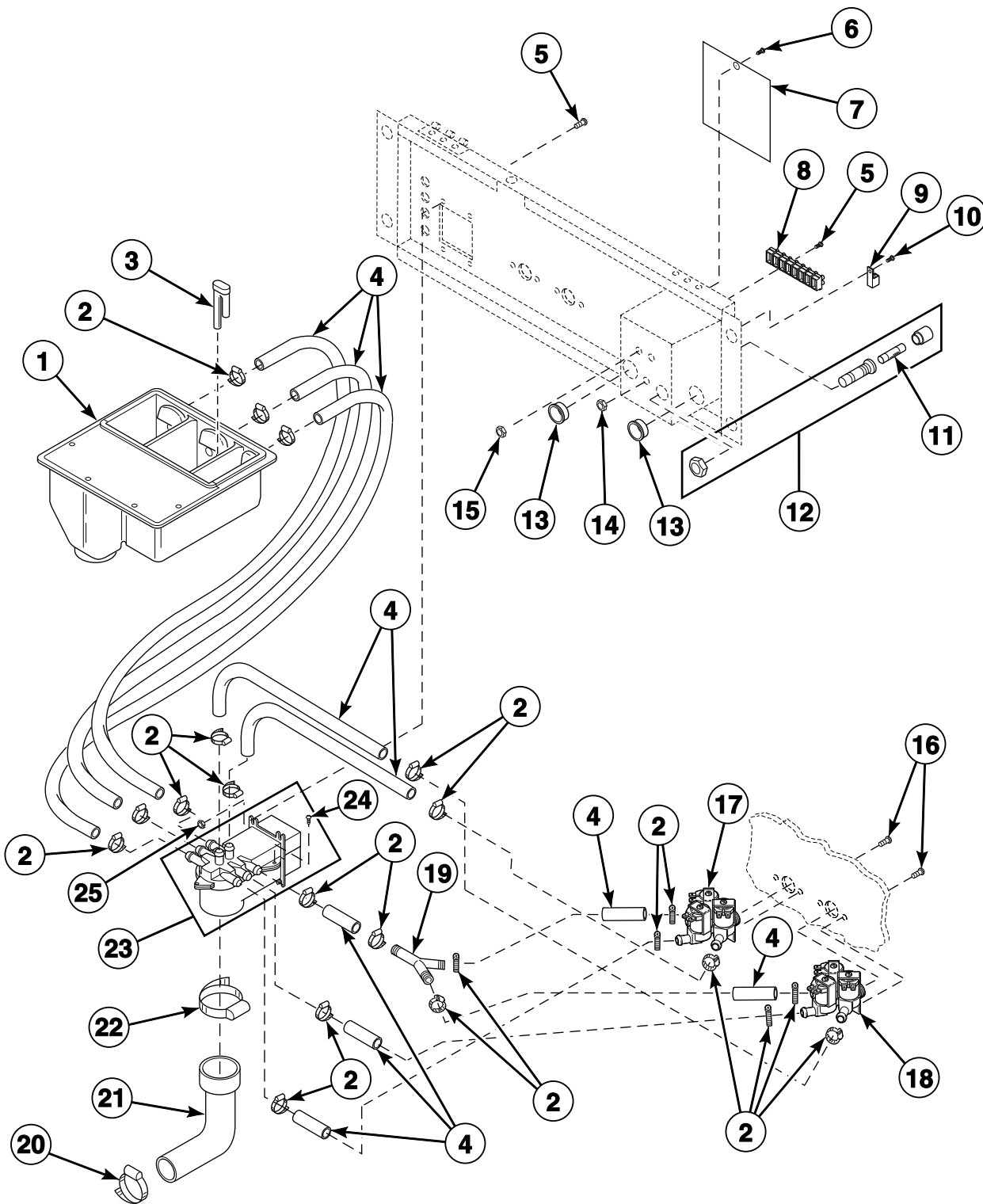


B008P_F232173

3-Way Mixing Valve - Mueller

REF	PART NO.	DESCRIPTION	COMMENTS
1	F380900	Coil	110-127 Volt; MC, MD, MH, MN, MV, MX, PC, PN, SN, VC and VN models
	F380917	Coil	200-240 Volt; MC, MD, MH, MN, MV, MX, PC, PN, SN, VC and VN models
	F380983P	Coil	24 Volt; EC, EP, EX, NC, NP, NR and NX models
2	F380938	Valve Repair Kit	10 mm
	F380939	Valve Repair Kit	13 mm
3	F380958	Flow Restrictor	4 mm
4	F798709	Elbi Conversion Kit	120 Volt; MC, MD, MH, MN, MV, MX, PC, PN, SN, VC and VN models
	F798710	3-Way Mixing Valve Kit	220 Volt; MC, MD, MH, MN, MV, MX, PC, PN, SN, VC and VN models
	F380794P	3-Way Mixing Valve	Metric thread; 24 Volt; EC, EP, EX, NC, NP, NR and NX models
	F798711	Elbi Conversion Kit	Standard thread; 24 Volt; EC, EP, EX, NC, NP, NR and NX models
5	F380957	Flow Restrictor	2.8 mm
6	F270200	Strainer	

Supply Dispenser Assembly with Elbi Valve - MC, MD, MH, MN, MV, MX, PC, PN, SN, VC and VN Models



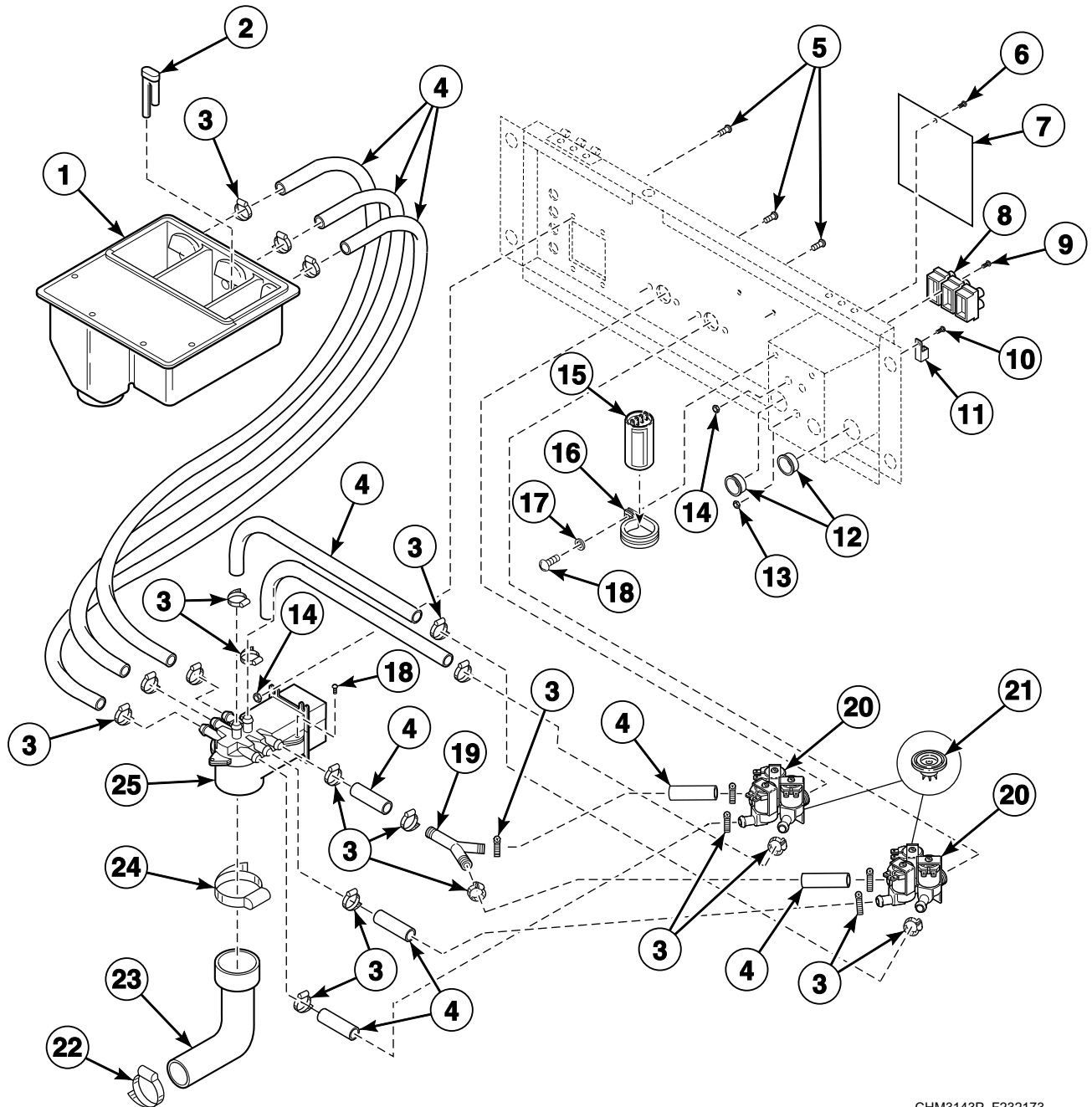
CHM1631P_F232173

Supply Dispenser Assembly with Elbi Valve - MC, MD, MH, MN, MV, MX, PC, PN, SN, VC and VN Models

REF	PART NO.	DESCRIPTION	COMMENTS
	F798709	Elbi Conversion Kit	120 Volt; Includes items 4, 17, F0150329-00 Vacuum Breaker Top, F140605 Cable Tie, F170400 Trim, F200207 Hose Clamp, F381720 3-Way Valve, F381728 3-Way Valve, F422802 Tee, F430177 Screw and 20290 Washer
1	F200202201P	Supply Dispenser Assembly	MC, MD, MH, MV, MX, PC and VC models
	F602374	Supply Dispenser Sub-Assembly	MN, PN, SN and VN models; Includes F150420 Supply Dispenser Lid
2	36801	Hose Clamp	No. 6
3	F150390	Siphon Tube	
4	F200108P	Water Hose	
5	F430916	Screw	
6	F430174	Screw	
7	F633260	Power Supply Cover	
8	F140766	Terminal	
9	F140734	Ground Terminal Lug	
10	F430903	Screw	
11	F350115	Fuse	
12	F350304P	Fuse Holder	
13	F140909	Insulator Bushing	
14	F430232	Nut	
15	F431022	Nut	
17	F381728P	3-Way Valve	Standard thread; Hot; 120 Volt; F380119 Flow Restrictor
	F381725P	3-Way Valve	Metric thread; Hot; 120 Volt; F380119 Flow Restrictor
	F381730P	3-Way Valve	Metric thread; Hot; 220 Volt; F380119 Flow Restrictor
18	F381720P	3-Way Valve	Standard thread; Cold; 120 Volt
	F381725P	3-Way Valve	Metric thread; Cold; 120 Volt
	F381718P	3-Way Valve	Metric thread; Cold; 220 Volt
19	F422808	Y Connector	
20	F200213	Hose Clamp	No. 40
21	F150321	Vacuum Breaker Hose	HC18, HC27, HC35, SC18, SC27, SC35, UC18, UC27 and UC35 models
	F150372	Fill Hose	HC25, SC25 and UC25 models
	F150340	Vacuum Breaker Hose	HC50, SC50 and UC50 models
22	N/A	Hose Clamp	No. 48
23	F603031	Vacuum Breaker Assembly	Includes item 25
24	F430177	Screw	
25	F430231	Nut	

N/A = Part no longer available

Supply Dispenser Assembly with Elbi Valves - EC, EP, EX, NC, NP, NR and NX Models



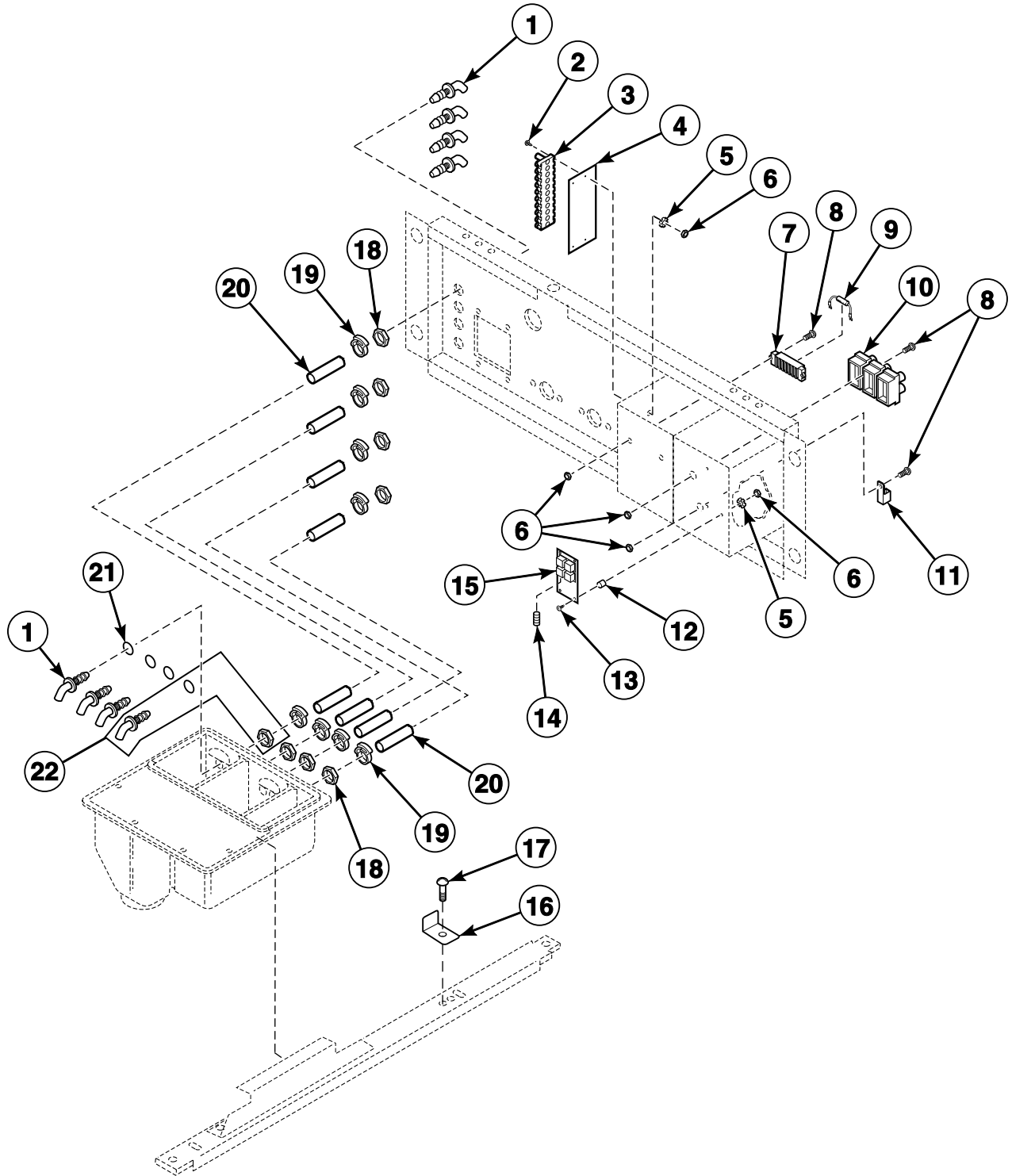
CHM3143P_F232173

Supply Dispenser Assembly with Elbi Valves - EC, EP, EX, NC, NP, NR and NX Models

REF	PART NO.	DESCRIPTION	COMMENTS
	F798709	Elbi Conversion Kit	120 Volt; Includes items 4, 18, F0150329-00 Vacuum Breaker Top, F140605 Cable Tie, F170400 Trim, F200207 Hose Clamp, F381720 3-Way Valve, F381728 3-Way Valve, F422808 Y Connector, F430948 Screw and 20290 Washer
	F798711	Elbi Conversion Kit	24 Volt; Includes items 4, 18, F0150329-00 Vacuum Breaker Top, F140605 Cable Tie, F170400 Trim, F200207 Hose Clamp, F381720 3-Way Valve, F381728 3-Way Valve, F422808 Y Connector, F430948 Screw and 20290 Washer
1	F200202201P	Supply Dispenser Assembly	
2	F150390	Siphon Tube	
3	36801	Hose Clamp	
4	F200108P	Water Hose	Order 8 feet
5	F430948	Screw	
6	F430174	Screw	
7	F602533	Input Power Connection Box Cover	
8	F140748	Input Power Block	2 terminal
	F140747	Input Power Block	3 terminal
	F140746	Input Power Block	4 terminal
9	F430938	Screw	
10	F430903	Screw	
11	F140734	Ground Terminal Lug	
12	F140909	Insulator Bushing	
13	F430232	Nut	
14	F430231	Nut	
15	F340002	Motor Switch	
16	F0340722-00	Switch Clamp	
17	F430311	Washer	
18	F430177	Screw	
19	F422808	Y Connector	
20	F381719P	3-Way Valve	Cold; Standard thread
	F381729P	3-Way Valve	Hot; Standard thread
	F0381734-00P	3-Way Valve	Hot; Metric thread
	F0381735-00P	3-Way Valve	Cold; Metric thread
21	G300202	Diaphragm	
	G582P3	Diaphragm and Guide Kit	Includes G300194 Armature Guide
22	F200213	Hose Clamp	No. 40
23	F150321	Vacuum Breaker Hose	HC18, HC35, NC18, SC18 and SC35 models
	F150372	Fill Hose	DC25, HC25, HC27, NC27, SC25 and SC27 models
	F0150340-01	Vacuum Breaker Fill Hose	HC50, NC50 and SC50 models
24	N/A	Hose Clamp	
25	F603031	Vacuum Breaker Assembly	Complete; Includes screws
	F0150329-00	Vacuum Breaker Top	
	F015033000	Vacuum Breaker Bottom	

N/A = Part no longer available

Automatic Supply Dispenser - MC, MD, MH, MN, MV, MX, PC, PN, SN, VC and VN Models

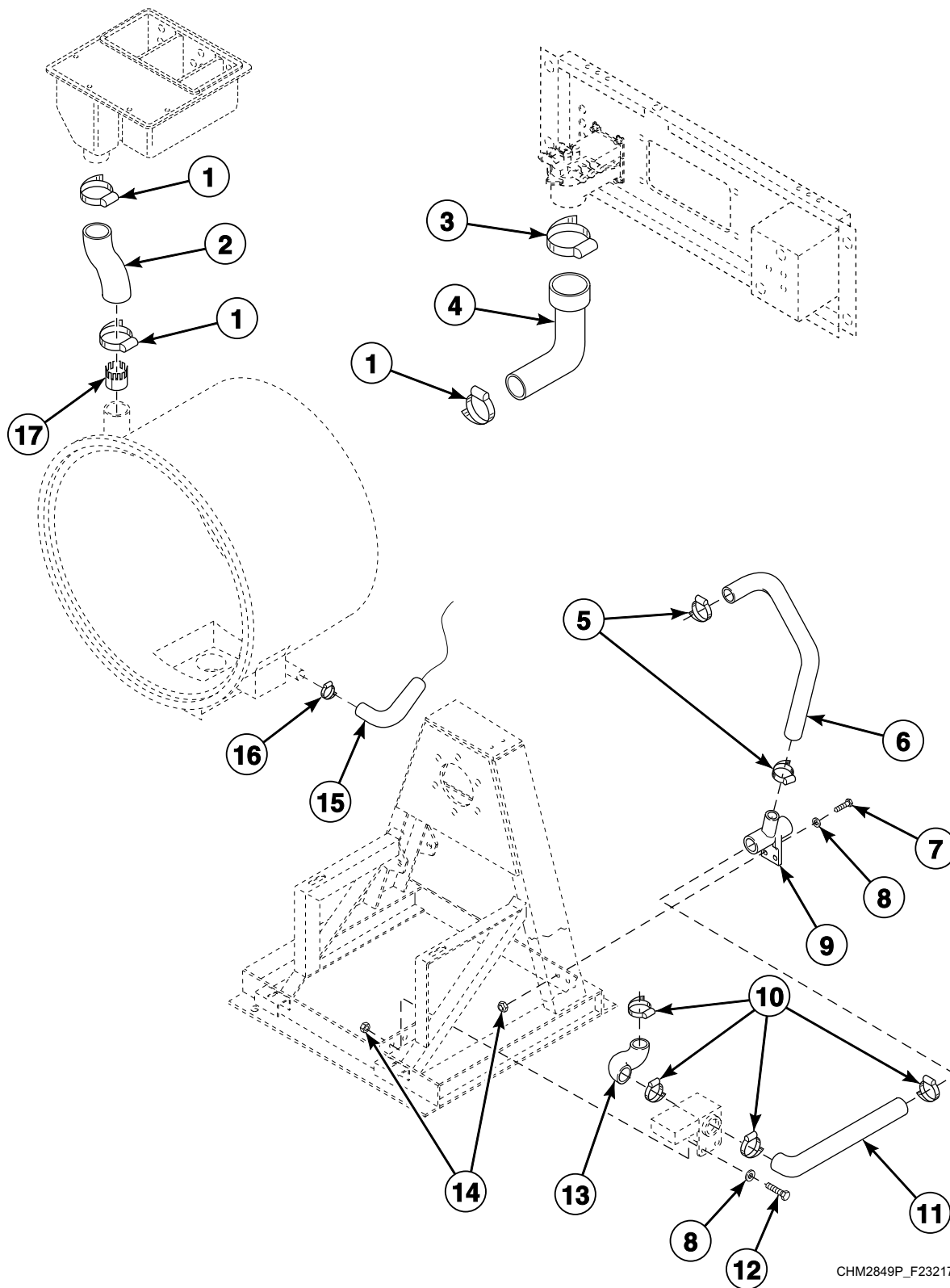


CHM3147P_F232173

Automatic Supply Dispenser - MC, MD, MH, MN, MV, MX, PC, PN, SN, VC and VN Models

REF	PART NO.	DESCRIPTION	COMMENTS
1	F8322001	Injection Nozzle	
2	F430916	Screw	
3	F140738	Terminal Strip	
4	F230764	External Supply Decal	
5	F431113	Washer	
6	F431022	Nut	
7	F140766	Terminal	MC, MD, MH, MN, MV and MX models
	F140738	Terminal Strip	PC, PN, SN, VC and VN models
8	F431701	Screw	
9	F370117	Resistor	120 Volt; PC, PN, SN, VC and VN models
	F370116	Resistor	220 Volt; PC, PN, SN, VC and VN models
10	F140748	Input Power Block	2 terminal
	F140747	Input Power Block	3 terminal
	F140746	Input Power Block	4 terminal
11	F140734	Ground Terminal Lug	
12	F431911	Nylon Sleeve	
13	F430917	Screw	
14	F350115	Fuse	
15	F0350312-10	Fuse Holder	
16	F606516	Supply Hose Bracket	
17	F430174	Screw	
18	802292	Nut	
19	F200206	Hose Clamp	No. 4
20	F200168P	Tubing	Order 1 foot
21	801632	O-Ring	
22	F730168	Injection Nozzle Kit	Includes items 1, 18 and 21

Drain Assembly, Hoses and Air Trap - All Models Except HC27, NC27, SC27 and UC27 Models



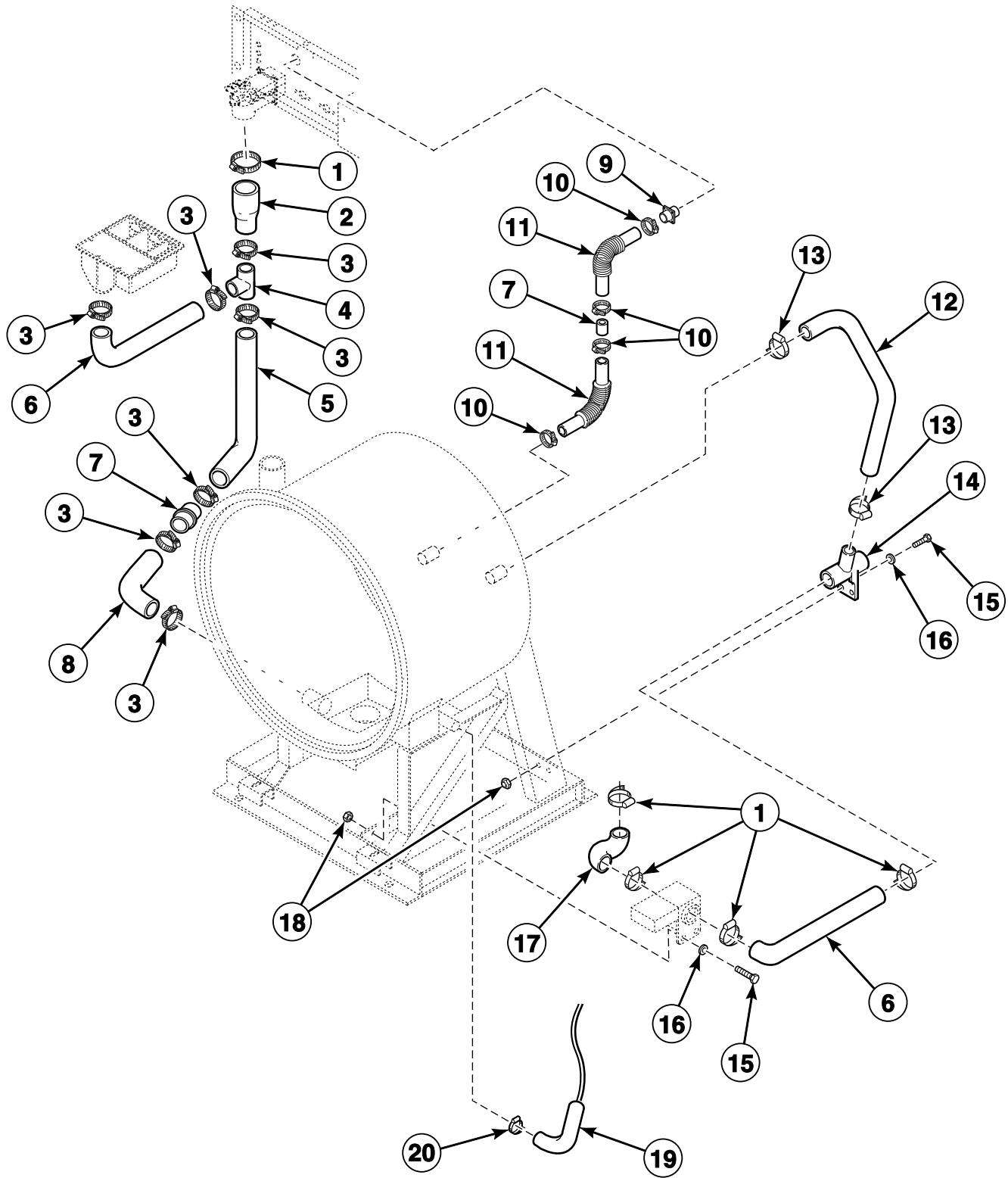
CHM2849P_F232173

Drain Assembly, Hoses and Air Trap - All Models Except HC27, NC27, SC27 and UC27 Models

REF	PART NO.	DESCRIPTION	COMMENTS
1	F200213	Hose Clamp	No. 40
2	F150309	Soap Dispenser Hose	
3	N/A	Hose Clamp	No. 48
4	F150321	Vacuum Breaker Hose	HC18, HC35, NC18, SC18, SC35, UC18 and UC35 models
	F150372	Fill Hose	HC25, SC25 and UC25 models
	F150340	Vacuum Breaker Hose	HC50, NC50, SC50 and UC50 models
5	F200215	Hose Clamp	No. 28
6	F200125800	Overflow Hose	HC18, HC25, NC18, SC18, SC25, UC18 and UC25 models; HC35 and SC35 EC, EP, EX, NC, NP, NR and NX models
	F150332	Overflow Hose	HC35, SC35 and UC35 PC, PN, SN, VC and VN models; HC50, SC50 and UC50 MC,MD, MH, MN, MV, MX, PC, PN, SN, VC and VN models
	F150417	Overflow Hose	HC50, NC50 and SC50 EC, EP, EX, NC, NP, NR and NX models
7	F430103	Screw	
8	F430317	Washer	
9	F8017101	Drain Connector Tee	HC18, HC25, HC35, NC18, SC18, SC25, SC35, UC18, UC25 and UC35 models
	F150398	Drain Tee	HC50, NC50, SC50 and UC50 models
10	F200213	Hose Clamp	HC18, HC25, HC35, NC18, SC18, SC25, SC35, UC18, UC25 and UC35 models
	N/A	Hose Clamp	HC50, NC50, SC50 and UC50 models
11	F0603139-03	Drain Hose	HC18, NC18, SC18 and UC18 models; HC25 and SC25 EC, EP, EX, NC, NP, NR and NX models
	F0150331-00	Drain Hose	Rear; HC25, HC35, SC25, SC35, UC25 and UC35 MC, MD, MH, MN, MV, MX, PC, PN, SN, VC and VN models
	F200123400	Drain Hose	HC35 and SC35 EC, EP, EX, NC, NP, NR and NX models
	F200123500	Drain Hose	HC50, NC50, SC50 and UC50 models
12	F430927	Screw	HC18, HC25, HC35, NC18, SC18, SC25 and SC35 EC, EP, EX, NC, NP, NR and NX models
	F430103	Screw	MC, MD, MH, MN, MV, MX, PC, PN, SN, VC and VN models; HC50, NC50 and SC50 EC, EP, EX, NC, NP, NR and NX models
13	F150312	Front Drain Hose	HC18, HC25, HC35, NC18, SC18, SC25, SC35, UC18, UC25 and UC35 models
	F200123900	Front Drain Hose	HC50, NC50, SC50 and UC50 models
14	F430215	Nut	
15	F020014200	Air Trap Hose	
16	F200205	Hose Clamp	No. 10
17	F150419	Supply Dispenser Baffle	Optional; Used to prevent water entering the supply dispenser during an extraction step

N/A = Part no longer available

Drain Valve Assembly, Hoses and Air Trap - HC27, NC27, SC27 and UC27 Models



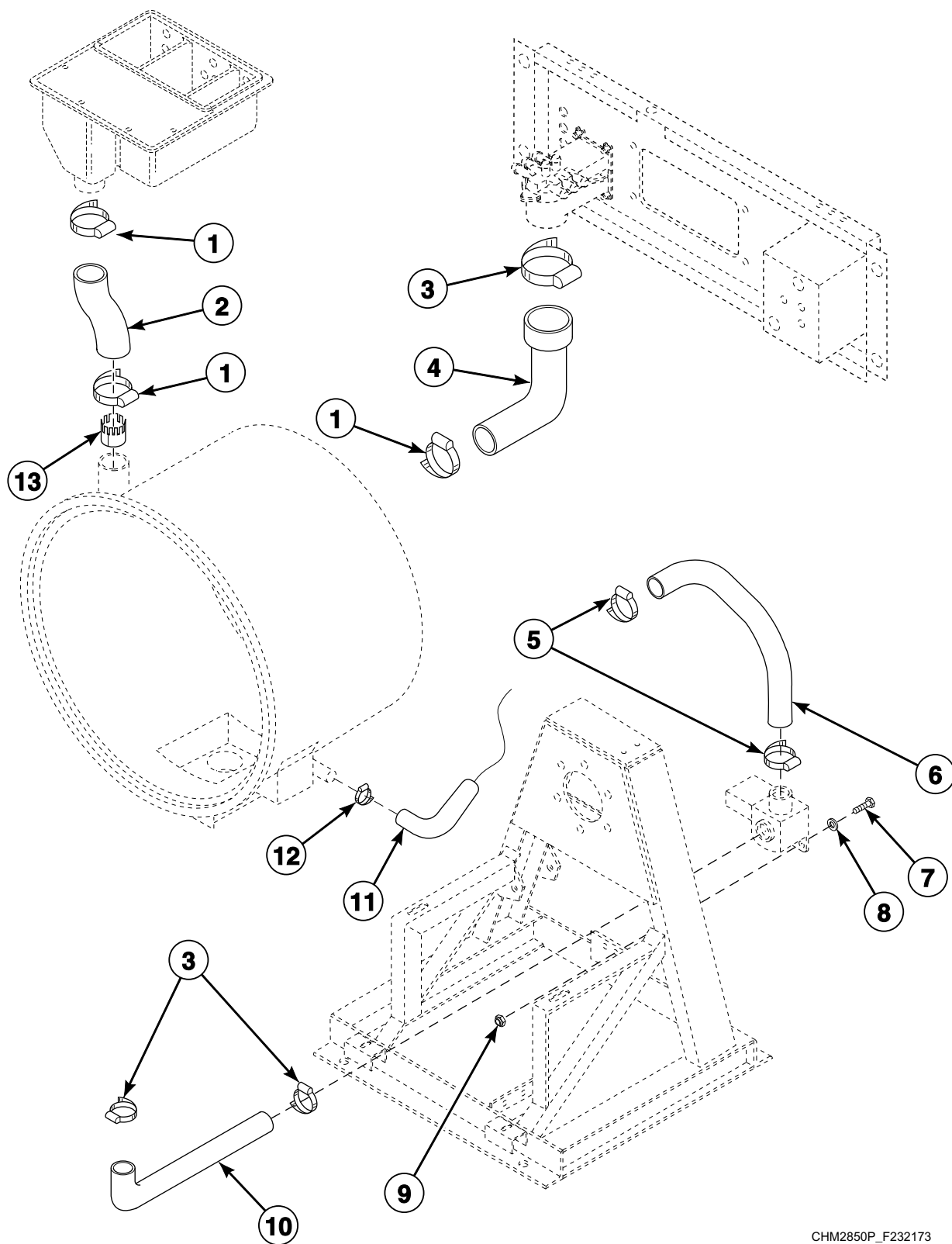
CHM2003P_F232173

Drain Valve Assembly, Hoses and Air Trap - HC27, NC27, SC27 and UC27 Models

REF	PART NO.	DESCRIPTION	COMMENTS
1	N/A	Hose Clamp	No. 48
2	F150321	Vacuum Breaker Hose	
3	F200213	Hose Clamp	No. 40
4	F422817	Tee	
5	F150308	Overflow Hose	HC27, SC27 and UC27 MC, MD, MH, MN, MV, MX, PC, PN, SN, VC and VN models
	F200125800	Overflow Hose	HC27, NC27 and SC27 EC, EP, EX, NC, NP, NR and NX models
6	F0150331-00	Drain Hose	Rear
7	F608237	Pipe	
8	F150414	Bottom Fill Hose	
9	F422517	Vent Nipple	
10	F200204	Hose Clamp	No. 20
11	F200170	Vent Hose	
12	F150332	Overflow Hose	
13	F200215	Hose Clamp	No. 28
14	F8017101	Drain Connector Tee	
15	F430103	Screw	
16	F430317	Washer	
17	F150312	Front Drain Hose	
18	F430215	Nut	
19	F020014200	Air Trap Hose	
20	F200205	Hose Clamp	No. 10

N/A = Part no longer available

Drain Valve Assembly, Hoses and Air Trap - HC50, NC50, SC50 and UC50 Models with Heat Shell



CHM2850P_F232173

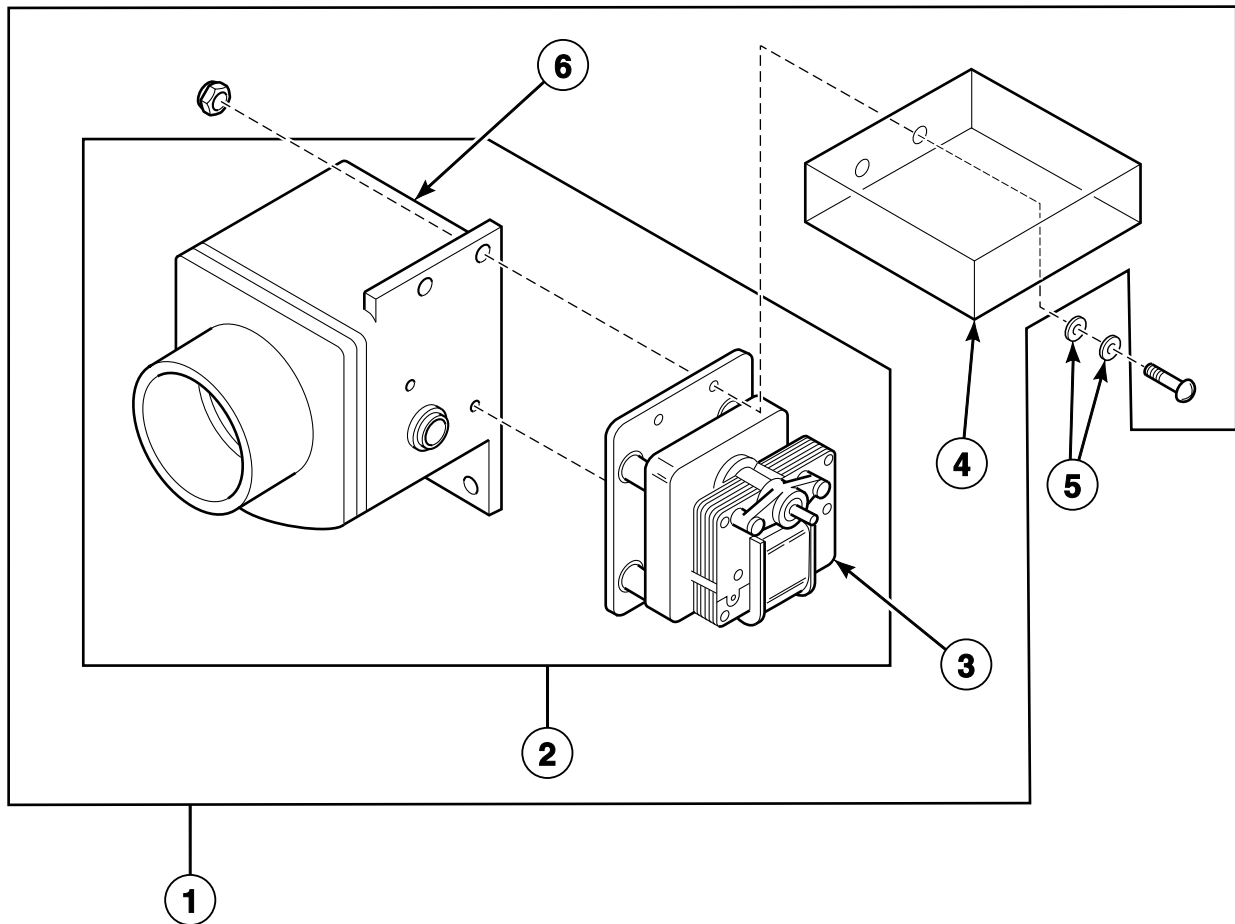
Drain Valve Assembly, Hoses and Air Trap - HC50, NC50, SC50 and UC50 Models with Heat Shell

REF	PART NO.	DESCRIPTION	COMMENTS
1	F200213	Hose Clamp	No. 40
2	F150309	Soap Dispenser Hose	
3	N/A	Hose Clamp	No. 48
4	F150340	Vacuum Breaker Hose	
5	F200215	Hose Clamp	No. 28
6	F150332	Overflow Hose	HC50, SC50 and UC50 MC, MD, MH, MN, MV, MX, PC, PN, SN, VC and VN models
	F150417	Overflow Hose	HC50, NC50 and SC50 EC, EP, EX, NC, NP, NR and NX models
7	F430103	Screw	
8	F430317	Washer	
9	F430215	Nut	
10	F150356	Drain Hose	
11	F020014200	Air Trap Hose	
12	F200205	Hose Clamp	No. 10
13	F150419	Supply Dispenser Baffle	Optional; Used to prevent water entering the supply dispenser during an extraction step

N/A = Part no longer available

Drain Valve Assembly - 18, 25, 27 and 35 Pound Capacity

MC, MD, MH, MN, MV, MX, PC, PN, SN, VC and VN Models



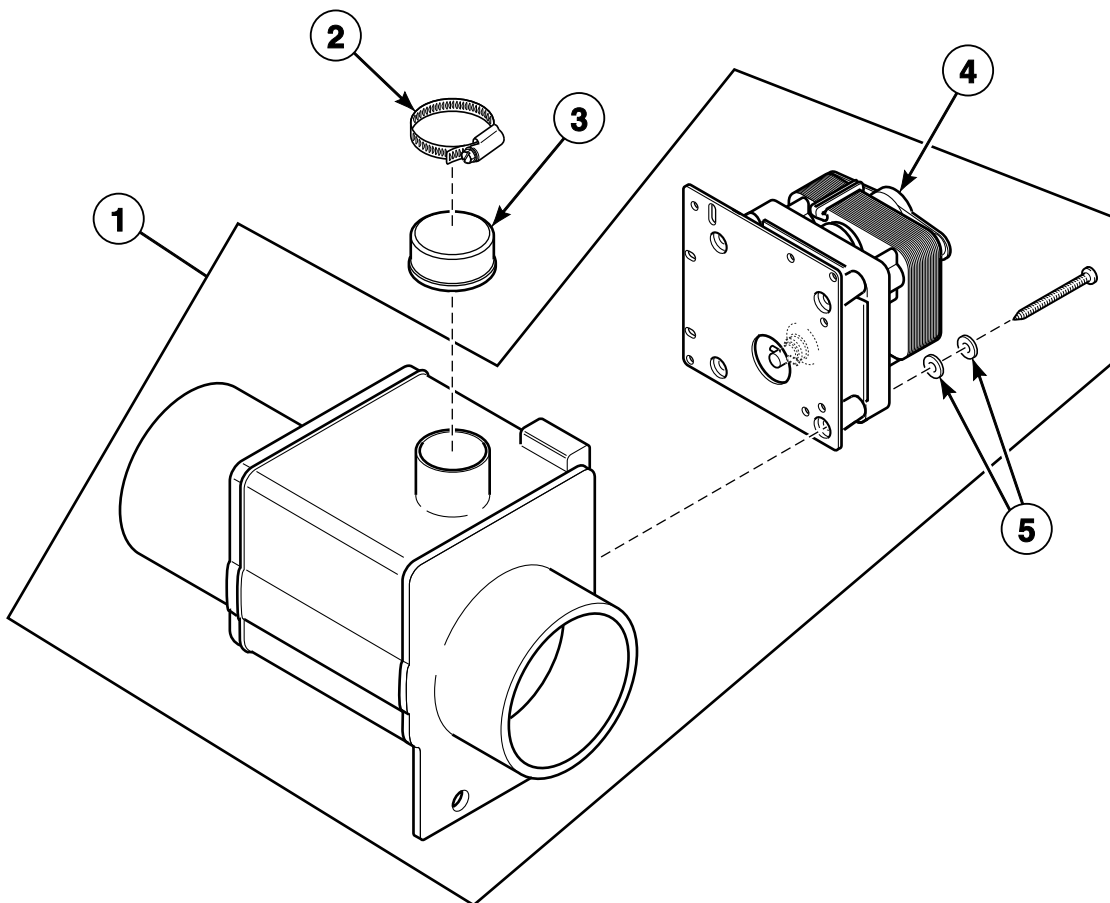
CHM3128P_F232173

Drain Valve Assembly - 18, 25, 27 and 35 Pound Capacity

REF	PART NO.	DESCRIPTION	COMMENTS
	F8504601	Spring	Use with item 2
1	F602920	Drain Valve Assembly	120 Volt; Includes items 2-4, 6 and the screw and nut
	F603175	Drain Valve Assembly	220 Volt; Includes items 2-6 and the screw and nut
2	803293	Drain Valve	120 Volt; Includes items 3 and 6
	803292	Gravity Drain Valve	220 Volt; Includes items 3 and 6
3	F380932P	Drain Valve Motor	Round shaft; 120 Volt
	F380933P	Drain Valve Motor	Round shaft; 220 Volt
	F380943P	Drain Motor	Keyed shaft; 120 Volt
	F8618901P	Drain Valve Motor	Keyed shaft; 220 Volt
	F380972P	Drain Valve Motor	Keyed shaft; 240 Volt
4	F200133600	Drain Valve Cover	
5	F431147	Washer	
6	F380920	Drain Valve Body	

Drain Valve Assembly - 50 Pound Capacity

HC50, SC50 and UC50 MC, MD, MH, MN, MV, MX, PC, PN, SN, VC and VN Models

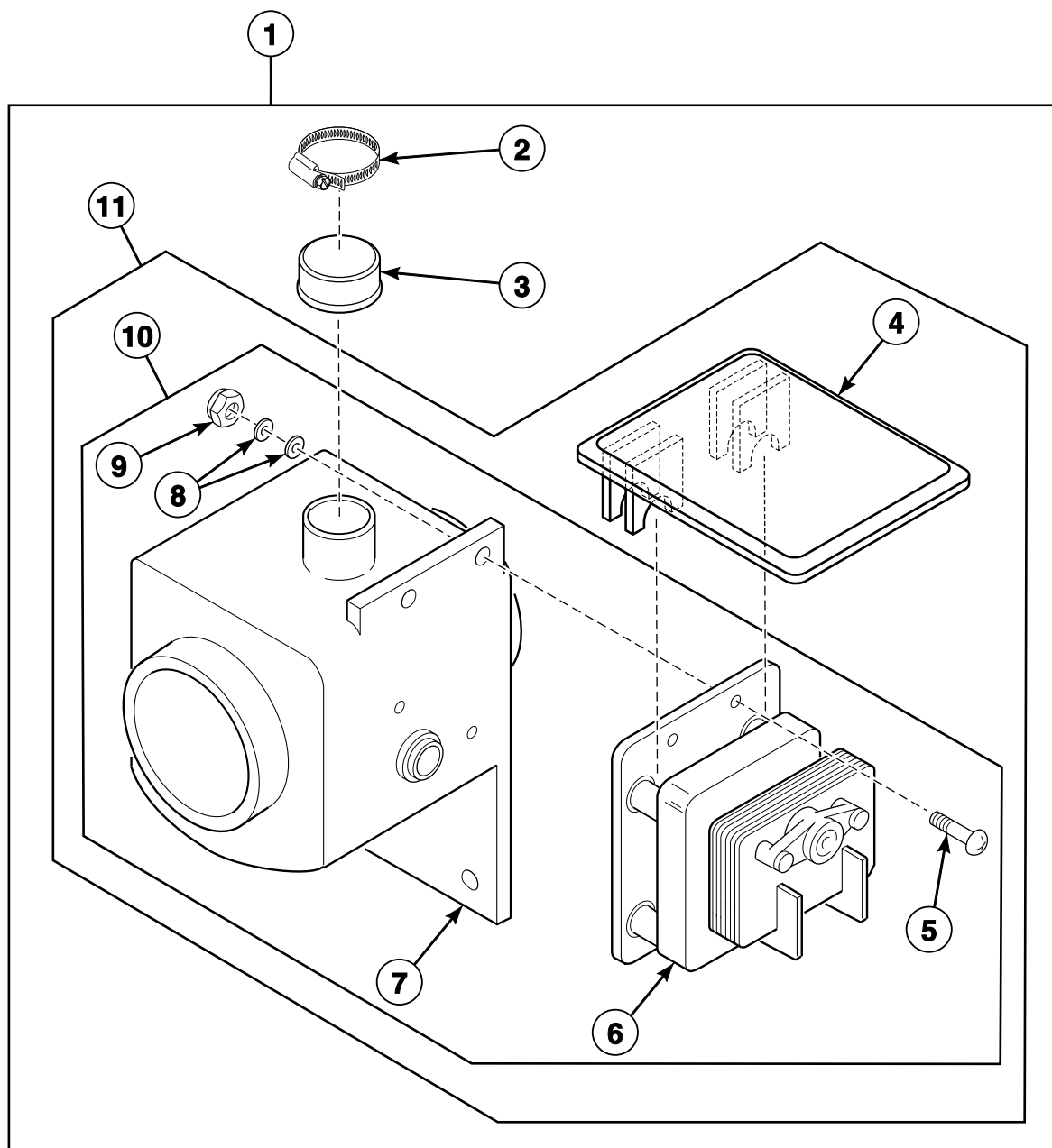


CHM3129P_F232173

Drain Valve Assembly - 50 Pound Capacity

REF	PART NO.	DESCRIPTION	COMMENTS
	F200166300	Drain Valve Kit	120 Volt; Includes items 1, 4 and screw; Models with heat option
	F200166400	Drain Valve Kit	220 Volt; Includes items 1, 4 and screw; Models with heat option
	F200166302	Drain Valve Kit	120 Volt; Includes items 1, 4 and screw; Standard models
	F8577201	Drain Valve Kit	220 Volt; Includes items 1, 4 and screw; Standard models
	F8562001	Drain Seal Kit	Use with F8406307 Drain Valve
	F8504701	Spring	Use with F038062800 Drain Valve
1	F8406304	Drain Valve	120 Volt; Includes item 4 and screw
	F200166302	Drain Valve Kit	120 Volt
	F8406303	Drain Valve	220 Volt; Includes items 4-5 and screw; Left hand motor mount
	F8602602	Drain Valve	220 Volt; Includes items 4-5 and screw: Right hand motor mount
2	F200215	Hose Clamp	No. 28
3	F150352	Overflow Plug	
4	F380932P	Drain Valve Motor	Round shaft; 120 Volt
	F380933P	Drain Valve Motor	Round shaft; 220 Volt
	F380943P	Drain Motor	Keyed shaft; 120 Volt
	F8618901P	Drain Valve Motor	Keyed shaft; 220 Volt
	F380972P	Drain Valve Motor	Keyed shaft; 240 Volt
5	F431147	Washer	

Drain Valve - EC, EP, EX, NC, NP, NR and NX Models

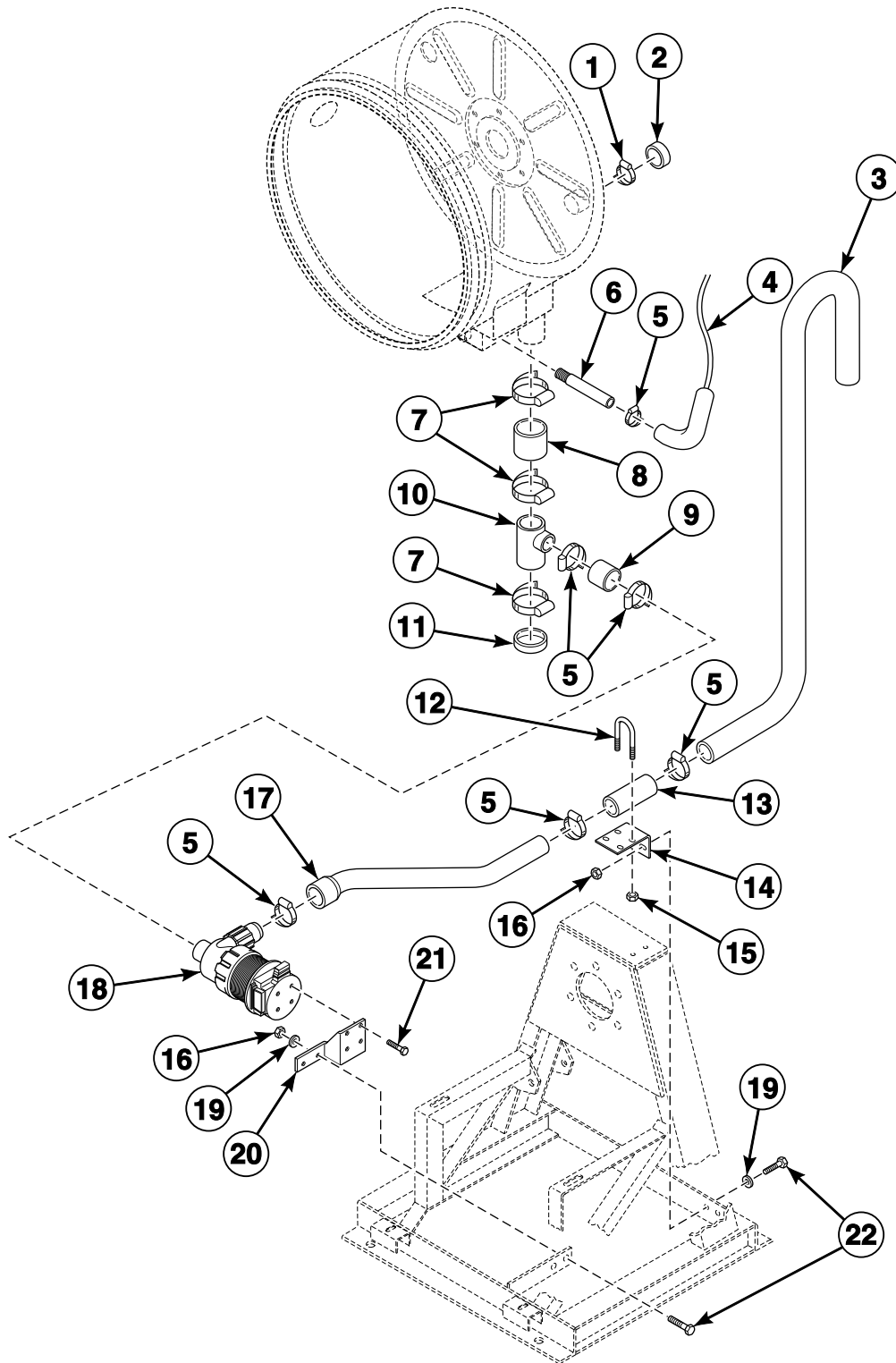


CHM3144P_F232173

Drain Valve - EC, EP, EX, NC, NP, NR and NX Models

REF	PART NO.	DESCRIPTION	COMMENTS
	F8504601	Spring	Use with 803292 Gravity Drain Valve and 803293 Drain Valve
	F8504701	Spring	Use with F038062800 Drain Valve
	F8562001	Drain Seal Kit	Use with F8406307 Drain Valve
1	F200166300	Drain Valve Kit	HC50, NC50 and SC50 models; 120 Volt; With overflow vent; Includes items 2-9
	F8577201	Drain Valve Kit	HC50, NC50 and SC50 models; 220 Volt; With overflow vent; Includes items 2-9
2	F200215	Hose Clamp	No. 28
3	F150352	Overflow Plug	
4	F200133600	Drain Valve Cover	
5	F430910	Screw	
6	F380943P	Drain Motor	120 Volt; Keyed shaft
	F380932P	Drain Valve Motor	120 Volt; Round shaft
	F8618901P	Drain Valve Motor	220 Volt; Keyed shaft
	F380933P	Drain Valve Motor	220 Volt; Round shaft
	F380972P	Drain Valve Motor	240 Volt
7	F380920	Drain Valve Body	
8	F431147	Washer	
9	F430231	Nut	
10	803293	Drain Valve	DC25, HC18, HC25, HC27, HC35, NC18, NC27, SC18, SC25, SC27 and SC35 models; 120 Volt; Without overflow vent; Includes items 5-9
	803292	Gravity Drain Valve	DC25, HC18, HC25, HC27, HC35, NC18, NC27, SC18, SC25, SC27 and SC35 models; 220 Volt; Without overflow vent; Includes items 5-9
	F8406304	Drain Valve	HC50, NC50 and SC50 models; 120 Volt; With overflow vent; Includes items 5-9
	F8602602	Drain Valve	HC50, NC50 and SC50 models; 220 Volt; With overflow vent; Includes items 5-9; Right hand motor mount
	F8406303	Drain Valve	HC50, NC50 and SC50 models; 220 Volt; With overflow vent; Includes items 5-9; Left hand motor mount
11	F602920	Drain Valve Assembly	DC25, HC18, HC25, HC27, HC35, NC18, NC27, SC18, SC25, SC27 and SC35 models; 120 Volt; Without overflow vent; Includes items 4-9
	F603175	Drain Valve Assembly	DC25, HC18, HC25, HC27, HC35, NC18, NC27, SC18, SC25, SC27 and SC35 models; 220 Volt; Without overflow vent; Includes items 4-9

Pump Drain Option - HC27, NC27, SC27 and UC27 E-Voltage Models



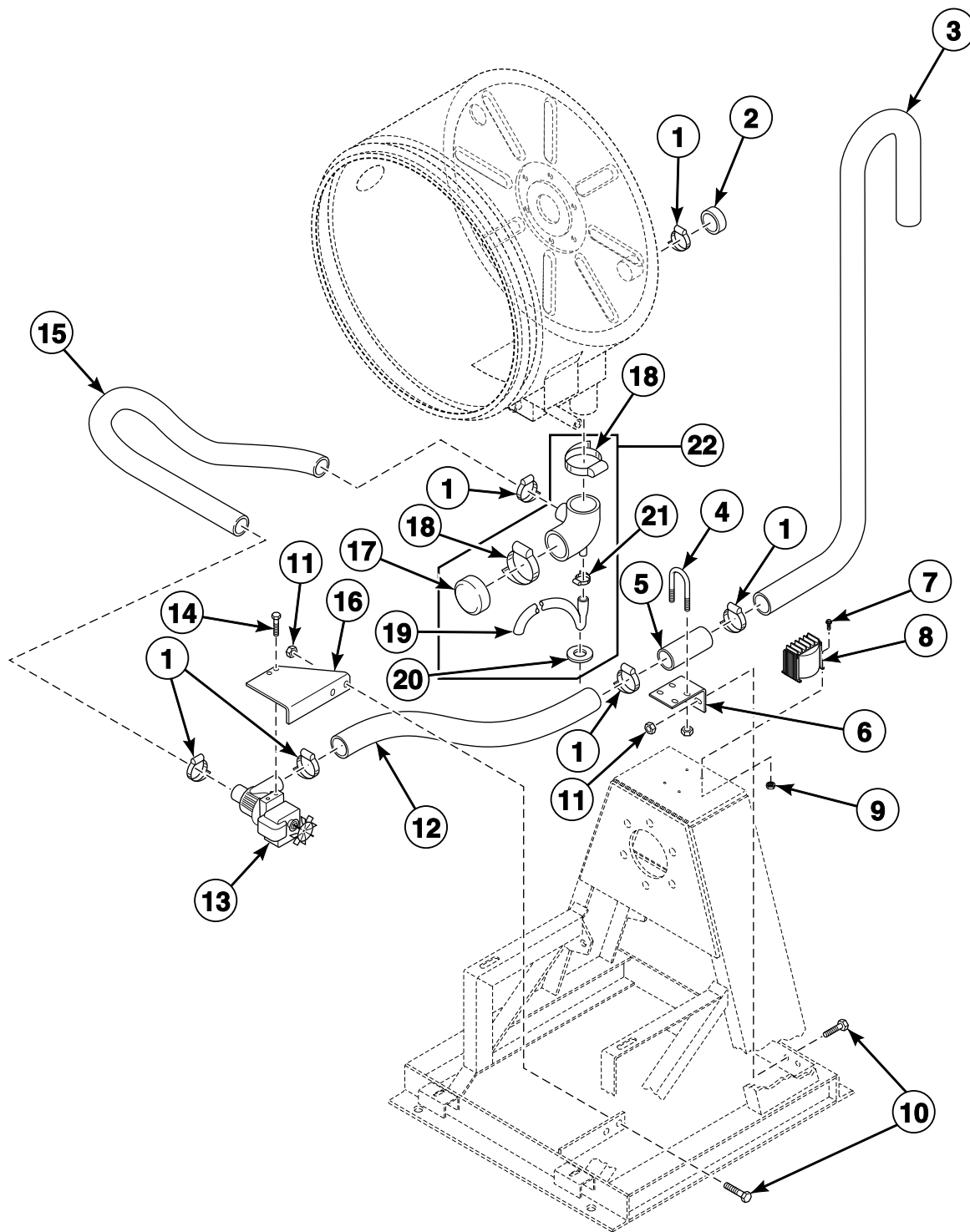
CHM2303P_F232173

Pump Drain Option - HC27, NC27, SC27 and UC27 E-Voltage Models

REF	PART NO.	DESCRIPTION	COMMENTS
1	F200215	Hose Clamp	No. 28
2	F150352	Overflow Plug	
3	F150343	Rear Pump Drain Hose	
4	F020014200	Air Trap Hose	
5	F200204	Hose Clamp	No. 20
6	F634178	Air Chamber Nipple	
7	F200213	Hose Clamp	No. 40
8	F150311	Rear Drain Hose	
9	F634177	Pump Inlet Hose	
10	F633819	Pump Drain Trap Weldment	
11	F150443	Plug	
12	F200401P	U-Bolt Clamp	
13	N/A	Pipe	
14	F604147	Pump Drain Rear Connecting Bracket	
15	F430232	Nut	
16	F430215	Nut	
17	F150482	Pump Drain Outlet Hose	
18	F634463P	Pump	
19	F430317	Washer	
20	F634114	Pump Mounting Bracket	
21	F430179	Screw	
22	F430107	Screw	

N/A = Part no longer available

Pump Drain Option - All Models Except HC27, NC27, SC27 and UC27 E-Voltage Models



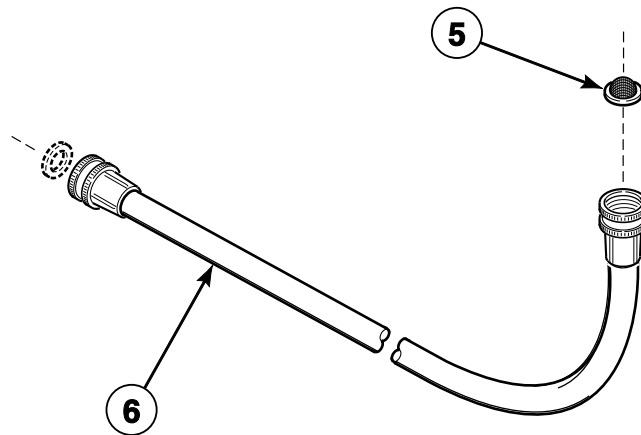
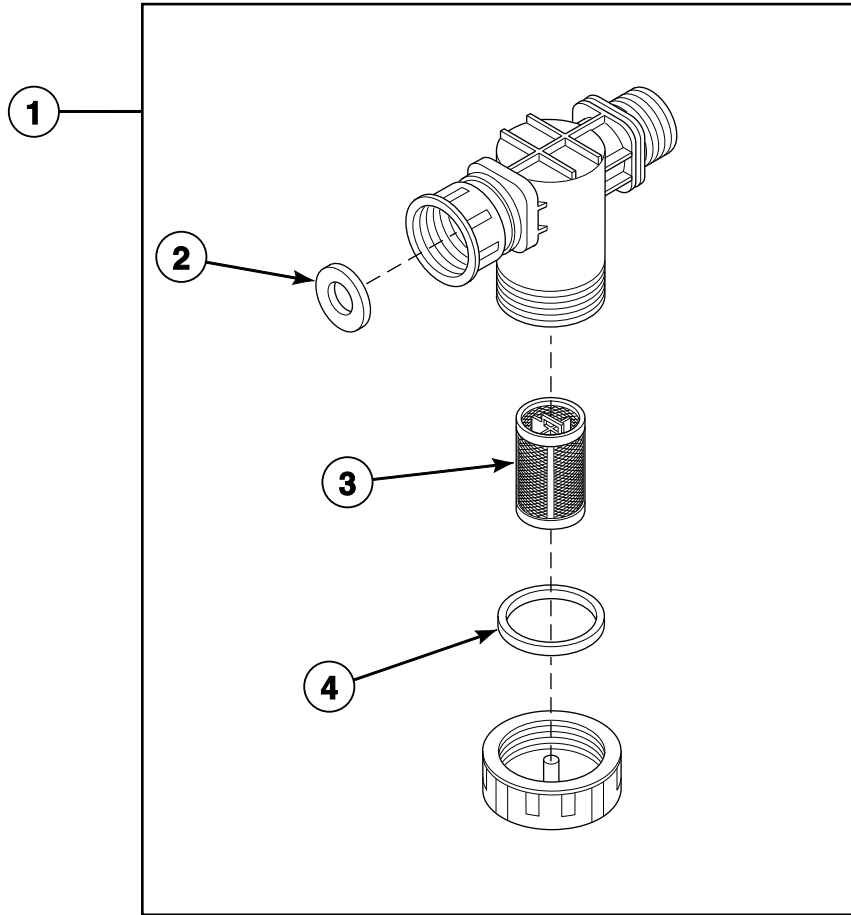
CHM2346P_F232173

Pump Drain Option - All Models Except HC27, NC27, SC27 and UC27 E-Voltage Models

REF	PART NO.	DESCRIPTION	COMMENTS
1	F200204	Hose Clamp	No. 20
2	F150352	Overflow Plug	
3	F150343	Rear Pump Drain Hose	
4	F200401P	U-Bolt Clamp	Includes nuts
5	F603827-1	Pipe	
6	F604147	Pump Drain Rear Connecting Bracket	
7	F430910	Screw	
8	C000203	Transformer	
9	F430231	Nut	
10	F430107	Screw	
11	F430215	Nut	
12	N/A	Hose	
13	F270119P	Drain Pump	MC, MD, MH, MN, MV, MX, PC, PN, SN, VC and VN models; A, B, F, H, O and Y-voltage; 120 Volt
	F270104P	Pump	MC, MD, MH, MN, MV, MX, PC, PN, SN, VC and VN models; C, D, E and J-voltage; 220 Volt
	F20000900P	Pump	EC, EP, EX, NC, NP, NR and NX models; 220-240 Volt
14	F430519	Screw	
15	F609748-5	Hose	
16	F609694	Pump Drain Trap Mounting Bracket	
17	F150443	Plug	
18	F200213	Hose Clamp	No. 40
19	F606192-5	Tubing	
20	901690	Washer	
21	F200217	Hose Clamp	
22	F630326P	Pump Drain Trap Assembly	Includes items 17-21

N/A = Part no longer available

Filter (Optional)

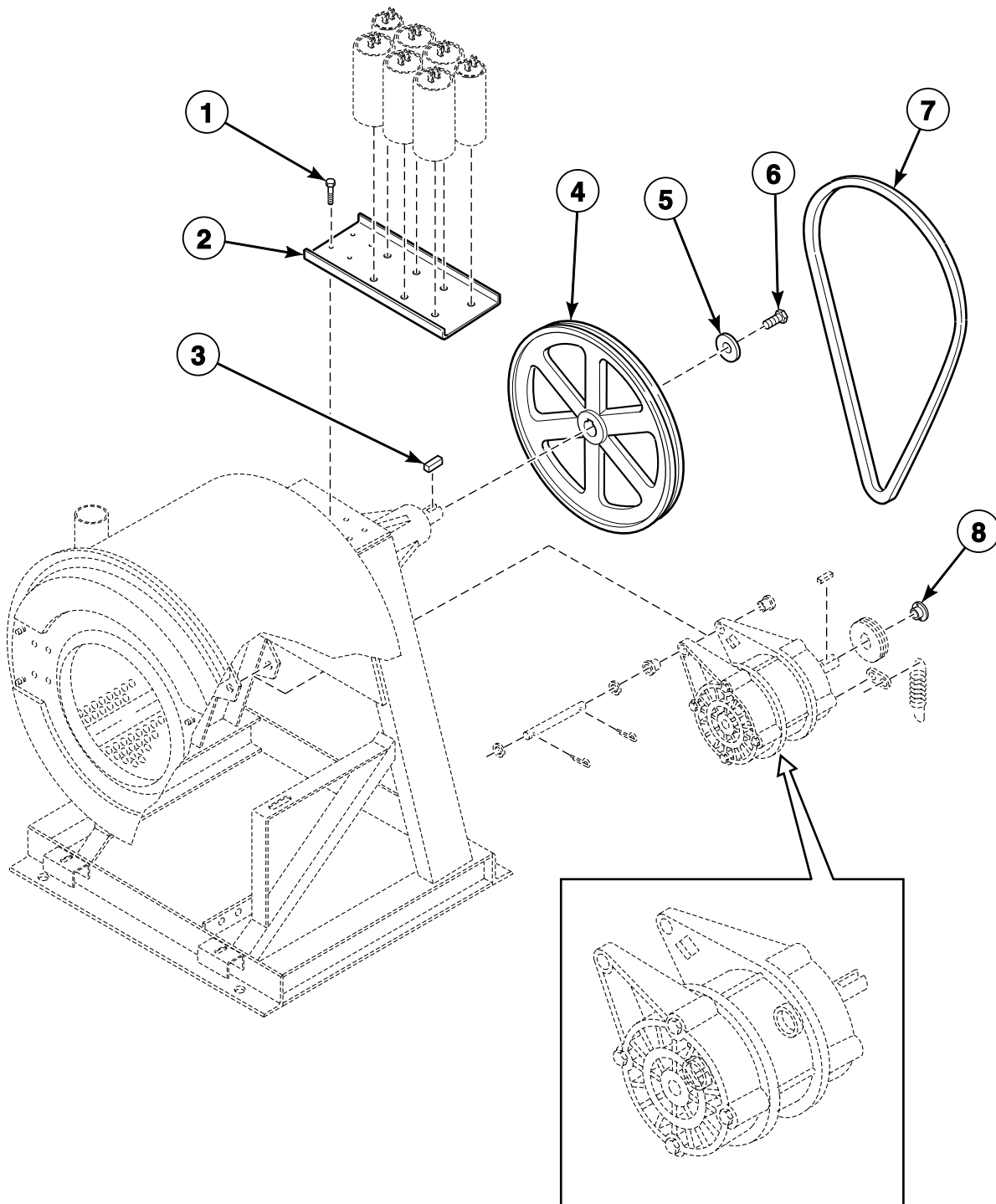


B091P_F232173

Filter (Optional)

REF	PART NO.	DESCRIPTION	COMMENTS
1	F270306P	Filter	Hose thread
	F270305	Filter	Metric thread
2	20290	Washer	
3	F270406	Replacement Filter	.11 mm
	F270405	Replacement Filter	.25 mm
4	F270407	Filter Housing Cap Gasket	
5	803615	Washer	
6	F200116	Water Hose	3/8 inch; Hose thread
	F200164	Water Hose	3/4 inch; Hose thread
	F200165	Water Hose	3/8 inch; Metric thread
	F200166	Water Hose	3/4 inch; Metric thread

Pulley and Belt Assembly - 18, 25 and 27 Pound Models



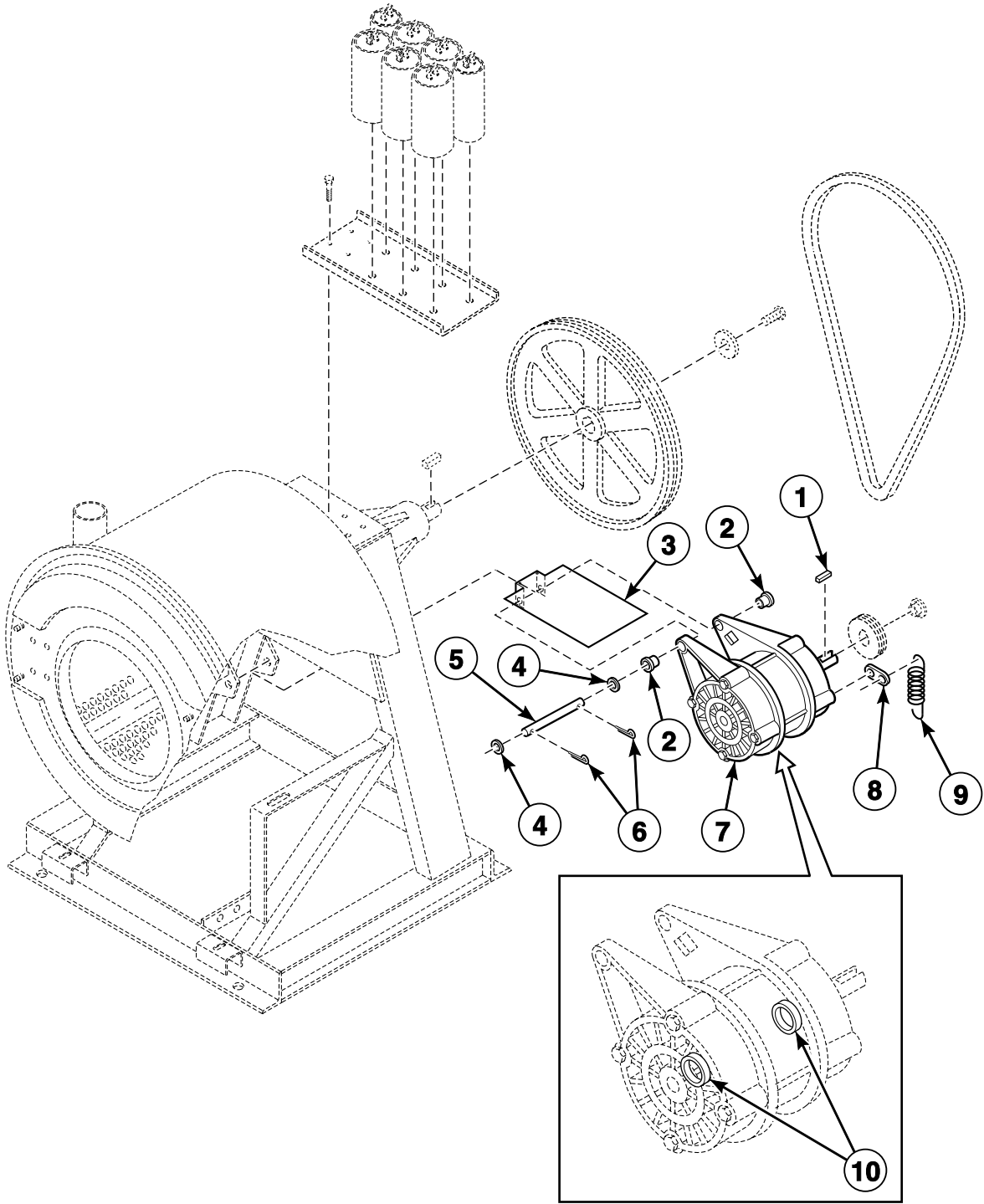
CHM2177P_F232173

Pulley and Belt Assembly - 18, 25 and 27 Pound Models

REF	PART NO.	DESCRIPTION	COMMENTS
1	F430108	Screw	
2	F602732	Capacitor Bracket	HC18, SC18 and UC18 MC, MD, MH, MN, MV, MX, PC, PN, SN, VC and VN models
	F200033500	Capacitor Mounting Bracket	HC18, NC18 and SC18 EC, EP, EX, NC, NP, NR and NX models; DC25, HC25, HC27, NC27, SC25, SC27, UC25 and UC27 models
3	F430801	Key	
4	F280168	Pulley	DC25, HC18, HC25, NC18, SC18, SC25, UC18 and UC25 models
	F280172	Sheave Pulley	HC27, NC27, SC27 and UC27 models
5	F0431159-00	Washer	MC, MD, MH, MN, MV, MX, PC, PN, SN, VC and VN models; DC25, HC18, HC25, NC18, SC18 and SC25 EC, EP, EX, NC, NP, NR and NX models
	F431115	Washer	HC27, NC27 and SC27 EC, EP, EX, NC, NP, NR and NX models
6	F430927	Screw	MC, MD, MH, MN, MV, MX, PC, PN, SN, VC and VN models; DC25, HC18, HC25, NC18, SC18 and SC25 EC, EP, EX, NC, NP, NR and NX models
	F430100	Screw	HC18, NC18 and SC18 EC, EP, EX, NC, NP, NR and NX models that have been upgraded with F935P3 Pressfit Upgrade Kit; HC27, NC27 and SC27 EC, EP, EX, NC, NP, NR and NX models
7	F280343	Belt	HC18, NC18, SC18 and UC18 models; C, D, G and J-voltage; 3V-730
	F028038000P	Belt	HC18, SC18 and UC18 models; E-voltage; 3V-720; Replaces F280343 Belt
	F280337	Belt	HC18, NC18, SC18 and UC18 models; A, B, F, H, L, O and Y-voltage; 3V-710
	F280343	Belt	HC18, NC18, SC18 and UC18 models; F and H-voltage; 3V-730; Replaces F280337 Belt
	F280337	Belt	DC25, HC25, SC25 and UC25 models; A, C, D, F, G, H, J, K, L, O and Y-voltage; 3V-710
	F028038000P	Belt	DC25, HC25, SC25 and UC25 models; E-voltage; 3V-720; Replaces F280337 Belt
	F280321	Belt	HC27, NC27, SC27 and UC27 models; 3V-800
8	H87529111P	Bushing	HC18, NC18, SC18 and UC18 models; C, D, G and J-voltage
	N/A	Bushing	HC18, NC18, SC18 and UC18 models; E-voltage; Models through 5/24/02
	F280298P	Pulley Bushing	HC18, NC18, SC18 and UC18 models; E-voltage; Models starting 5/25/02
	F280298P	Pulley Bushing	HC18, NC18, SC18 and UC18 models; A, B, F, H and O-voltage; F and H-voltage with heat
	H87529111P	Bushing	DC25, HC25, SC25 and UC25 models; C, D, G and J-voltage
	F280298P	Pulley Bushing	DC25, HC25, SC25 and UC25 models; E-voltage; Replaces F280214 Motor Bushing
	F280298P	Pulley Bushing	DC25, HC25, SC25 and UC25 models; L and Y-voltage; Replaces F220209 Bushing
	H87529111P	Bushing	HC27, NC27, SC27 and UC27 models; C, D and G-voltage
	H87529111P	Bushing	HC27, NC27, SC27 and UC27 models; J-voltage; Replaces F220222 Motor
	F280225P	Bushing	HC27, NC27, SC27 and UC27 models; E-voltage; Replaces F220214 Motor

N/A = Part no longer available

Motor - 18 Pound Models

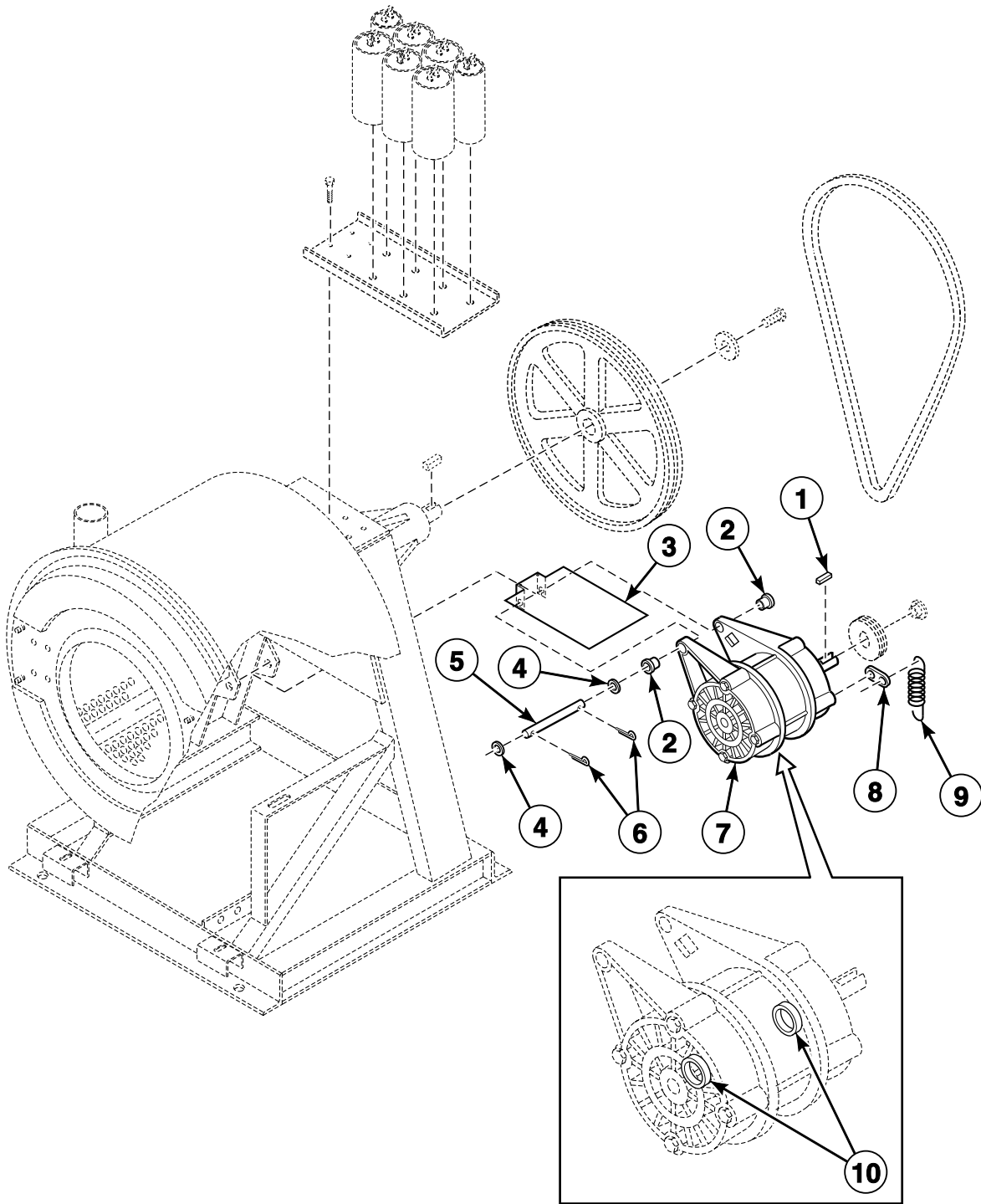


CHM3127P_F232173

Motor - 18 Pound Models

REF	PART NO.	DESCRIPTION	COMMENTS
	F0637581-01	Harness	3 Phase
1	F430802	Key	
2	F200186100	Motor Support Bushing	
3	F200216900	Motor Drip Shield	
4	F430325	Washer	
5	F602844	Motor Support Rod	
6	F430401	Cotter Pin	
7	F8329301P	Motor	A, J, and O-voltage; Replaces F022039600, F220350 and F220352 Motor; Includes motor support bushing
	F220352	Motor	HC18, SC18 and UC18 MC, MD, MH, MN, MV, MX, PC, PN, SN, VC and VN models; D-voltage
	F8329401P	Motor	C, F, G and H-voltage with or without heat; Includes item 2
	F8353501P	Motor Conversion Kit	E-voltage; Replaces F220117, F220125 and F220130 Motor; Includes motor support bushing
	F8601901P	Motor Conversion Kit	B-voltage; Replaces F220110P Motor
	F8411501	Motor Conversion Kit	HC18, NC18, SC18 and UC18 models before 6/2009; Y-voltage; Replaces F022012800P Motor
	F8597401P	Motor	HC18, NC18, SC18 and UC18 models after 5/2009; Y-voltage; Models that have been converted with F8411501 Motor Conversion Kit
	F8597402P	Motor	B-voltage; Models that have been converted with F8411601 Motor Conversion Kit; Replaces F8329601P Motor
	F022012800P	Motor	Y-voltage; Includes item 2; Replaced by F8329501P Motor
8	F601515	Clip	Elmo only
9	F310124	Extension Spring	
10	M400592	Ball Bearing	

Motor - 25 and 27 Pound Models

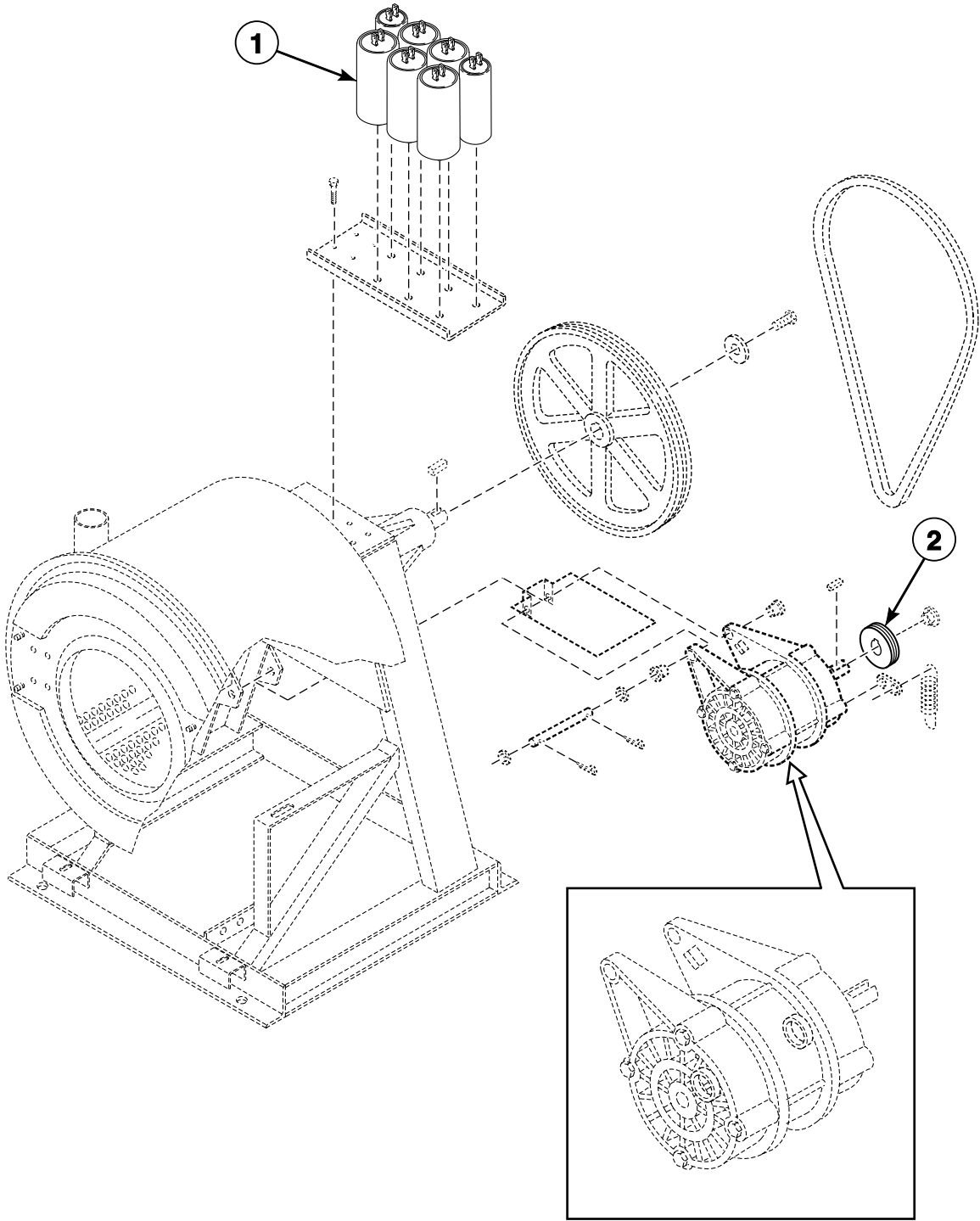


CHM3127P_F232173

Motor - 25 and 27 Pound Models

REF	PART NO.	DESCRIPTION	COMMENTS
	F0637581-01	Harness	3 Phase
1	F430802	Key	
2	F280225P	Bushing	HC27, NC27 and SC27 EC, EP, EX, NC, NP, NR and NX models; E-voltage
	F200186100	Motor Support Bushing	All other models
3	F200216900	Motor Drip Shield	
4	F430325	Washer	
5	F602844	Motor Support Rod	27 pound models
	F603059	Motor Support Rod	DC25, HC25, SC25 and UC25 models
6	F430401	Cotter Pin	
7	F8597104P	Motor	C, F, G and H-voltage; Includes motor support bushing; Replaces F8329801P and F022038800P Motor
	F8597501P	Motor	L and Y-voltage; Replaces F022012400 Motor; Includes motor support bushing
	F8597103P	Motor	A, K and O-voltage; Replaces F022038700 Motor; Includes motor support bushing
	F220389P	Motor	DC25, HC25, SC25 and UC25 models; HC27, SC27 and UC27 MC, MD, MH, MN, MV, MX, PC, PN, SN, VC and VN models; D, J and U-voltage
8	F601515	Clip	Elmo only
9	F310124	Extension Spring	
10	M400592	Ball Bearing	

Capacitor and Motor Pulley - 18, 25 and 27 Pound Models

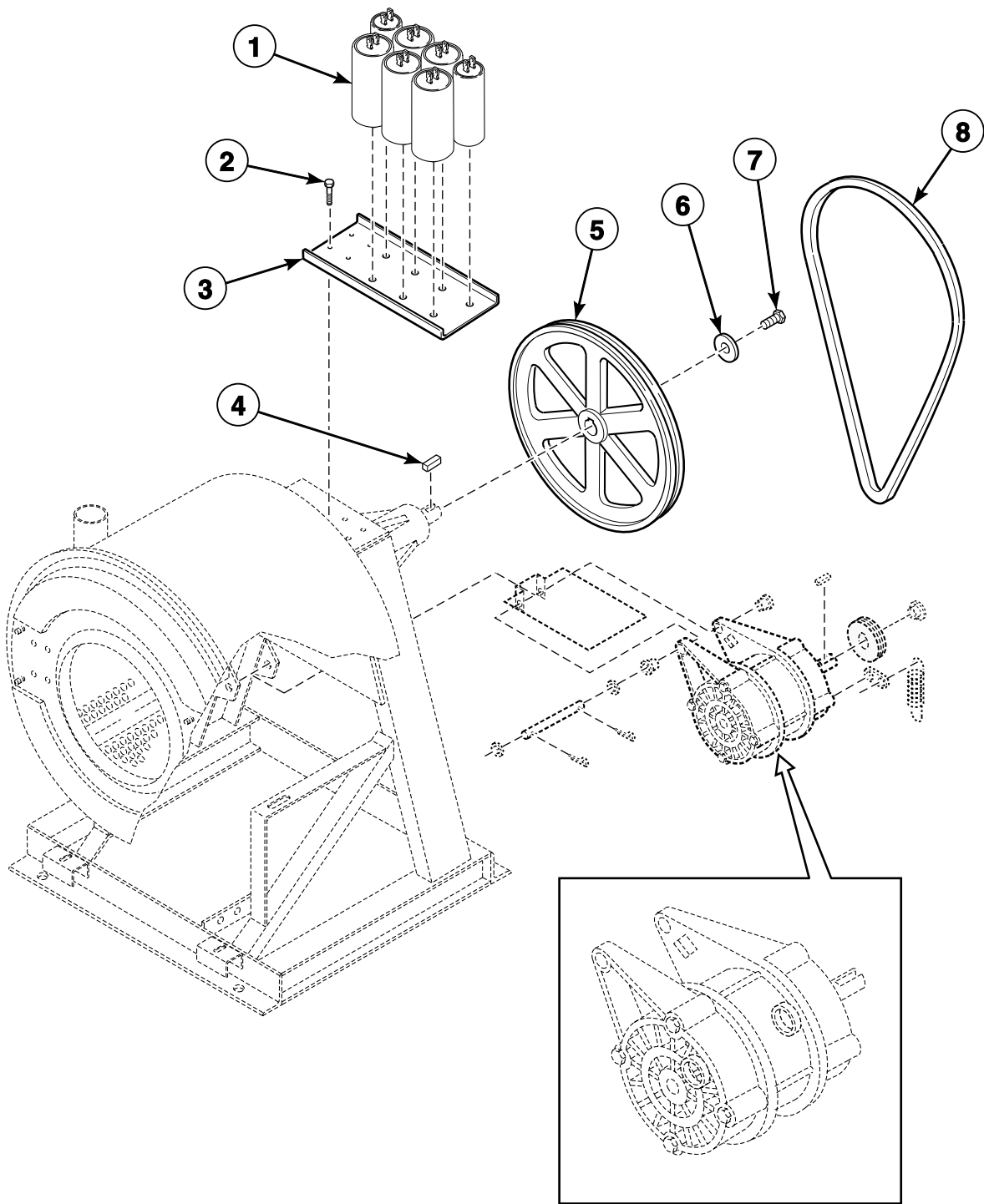


CHM3127PA_F232173

Capacitor and Motor Pulley - 18, 25 and 27 Pound Models

REF	PART NO.	DESCRIPTION	COMMENTS	
1	F370230	Capacitor	10 Microfarad; HC18, SC18 and UC18 MC, MD, MH, MN, MV, MX, PC, PN, SN, VC and VN E-voltage models with Century motors - 1 used; DC25, HC18, HC25, HC27, NC18, NC27, SC18, SC25, SC27, UC18, UC25 and UC27 E-voltage models with Elmo motors - 2 used	
	F370224P	Capacitor	20 Microfarad; DC25, HC18, HC25, HC27, NC18, NC27, SC18, SC25, SC27, UC18, UC25 and UC27 E-voltage models with Elmo motors - 3 used; DC25, HC25, HC27, NC27, SC25, SC27, UC25 and UC27 L and Y-voltage models with Elmo motors - 4 used	
	F8411801	Capacitor	25 Microfarad; HC18, NC18, SC18 and UC18 L and Y-voltage models with Elmo motors - 1 used; HC18, SC18 and UC18 MC, MD, MH, MN, MV, MX, PC, PN, SN, VC and VN E-voltage models with Century motors - 1 used	
	F8411901	Capacitor	50 Microfarad; HC18, NC18, SC18 and UC18 L and Y-voltage models with Elmo motors - 1 used; HC18, SC18 and UC18 MC, MD, MH, MN, MV, MX, PC, PN, SN, VC and VN E-voltage models with Century motors - 2 used	
	F370221	Capacitor	100 Microfarad; HC18, NC18, SC18 and UC18 B-voltage models with Elmo motors - 2 used; HC18, SC18 and UC18 MC, MD, MH, MN, MV, MX, PC, PN, SN, VC and VN B-voltage models with Century motors - 2 used; DC25, HC18, HC25, HC27, NC18, NC27, SC18, SC25, SC27, UC18, UC25 and UC27 E-voltage models with Elmo motors - 2 used	
	F370220	Capacitor	130 Microfarad; HC18, NC18 and SC18 EC, EP, EX, NC, NP, NR and NX B-voltage models with Elmo motors - 2 used; HC18, SC18 and UC18 MC, MD, MH, MN, MV, MX, PC, PN, SN, VC and VN B-voltage models with Elmo motors - 1 used; HC18, SC18 and UC18 MC, MD, MH, MN, MV, MX, PC, PN, SN, VC and VN B-voltage models with Century motors - 1 used; DC25, HC25, HC27, NC27, SC25, SC27, UC25 and UC27 L and Y-voltage models with Elmo motors - 1 used	
	F370116	Resistor	Y-voltage; 12 K	
	2	F280427P	Pulley	HC18, SC18 and UC18 MC, MD, MH, MN, MV, MX, PC, PN, SN, VC and VN models; C, D, E, G and J-voltage; Replaces F280184 Pulley; Replacement of F280184 Pulley requires F280430 Bushing
		F280427P	Pulley	HC18, SC18 and UC18 MC, MD, MH, MN, MV, MX, PC, PN, SN, VC and VN models; E-voltage; Replaces F280184 Pulley or F220130 Motor and F280430 Bushing; Replacement of F280184 and F280130 Pulley requires F280298P Pulley Bushing
F280170		Sheave Pulley	HC18, NC18, SC18 and UC18 models; A, B, F, H, O and Y-voltage	
F280170		Sheave Pulley	HC18, NC18, SC18 and UC18 models; F and H-voltage with heat	
F280427P		Pulley	HC25, SC25 and UC25 MC, MD, MH, MN, MV, MX, PC, PN, SN, VC and VN models; C, D, G and J-voltage; Replaces F280184 Pulley; Replacement of F280184 Pulley requires F280430 Bushing; F280430 Bushing is used with F280427 Pulley	
F280427P		Pulley	HC25, SC25 and UC25 MC, MD, MH, MN, MV, MX, PC, PN, SN, VC and VN models; E-voltage; Replaces F280180 Pulley; Replacement of F280180 Pulley requires F280298P Pulley Bushing; F280298P Pulley Bushing is used with F280427 Pulley	
F280170		Sheave Pulley	DC25, HC25, SC25 and UC25 models; A, F, H, K and O-voltage	
F280416		Pulley	DC25, HC25, SC25 and UC25 models; L and Y-voltage; Replaces F280139 Pulley and F280298P Pulley Bushing; F280298P Pulley Bushing is used with F280416 Pulley	
H87520334		Sheave	HC27, SC27 and UC27 MC, MD, MH, MN, MV, MX, PC, PN, SN, VC and VN models; C, D and G-voltage; Replaces F280283 Pulley; Replaces F280239 Pulley and F220222 Motor; Replacement of F280283 or F280239 Pulley and F220222 Motor requires F280430 Bushing; F280430 Bushing is used with F280418 Pulley	
F280423		Pulley	HC27, SC27 and UC27 MC, MD, MH, MN, MV, MX, PC, PN, SN, VC and VN models; E-voltage; Replaces F280279 Pulley and F280214 Motor Bushing; Replacement of F280279 Pulley and F220214 Motor requires F280225P Bushing; F280225P Bushing is used with F280423 Pulley	
F280284		Pulley	HC27, NC27, SC27 and UC27 models; A, F, H, K and O-voltage	
F280281		Motor Pulley	HC27, NC27, SC27 and UC27 models; L and Y-voltage; Replaces F280198 Pulley	

Capacitor and Pulley - 35 and 50 Pound Models

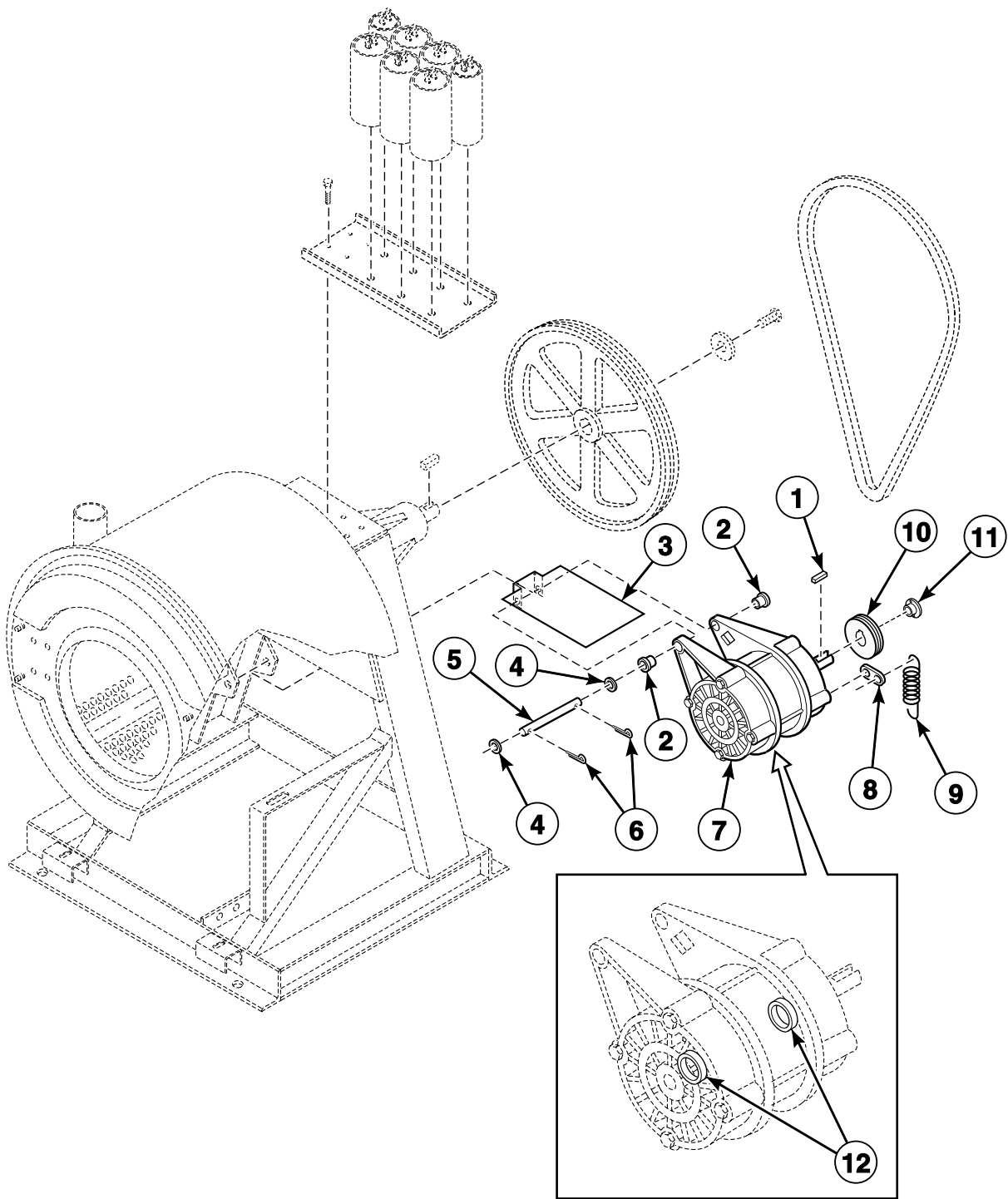


CHM3127PB_F232173

Capacitor and Pulley - 35 and 50 Pound Models

REF	PART NO.	DESCRIPTION	COMMENTS
	F748001	Pulley Kit	HC35, SC35 and UC35 models; Includes items 4 and F280172 Sheave Pulley
	F748003	Pulley Kit	HC50, NC50, SC50 and UC50 models; Includes items 4-7
1	F370116	Resistor	Y-voltage; 12 K
	F370230	Capacitor	10 Microfarad; HC35, SC35 and UC35 L and Y-voltage models with Century motors - 1 used
	F370224P	Capacitor	20 Microfarad; HC35, SC35 and UC35 L and Y-voltage models with Elmo motors - 1 used; HC50, NC50, SC50 and UC50 L and Y-voltage models with Elmo motors - 2 used
	F8411801	Capacitor	25 Microfarad; HC35, SC35 and UC35 MC, MD, MH, MN, MV, MX, PC, PN, SN, VC and VN L and Y-voltage models with Elmo motors - 1 used
	F8411901	Capacitor	50 Microfarad; HC35, SC35 and UC35 L and Y-voltage models with Elmo motors - 1 used; HC35, SC35 and UC35 L and Y-voltage models with Century motors - 1 used; HC50, NC50, SC50 and UC50 L and Y-voltage models with Elmo motors - 2 used
	F370220	Capacitor	130 Microfarad; HC35, SC35 and UC35 L and Y-voltage models with Century motors - 1 used; HC50, NC50, SC50 and UC50 L and Y-voltage models with Elmo motors - 3 used
	F370218P	Capacitor	160 Microfarad; HC35, SC35 and UC35 L and Y-voltage models with Elmo motors - 1 used; HC35, SC35 and UC35 L and Y-voltage models with Century motors - 1 used
2	F430108	Screw	
3	F200033500	Capacitor Mounting Bracket	
4	F430801	Key	
5	F280172	Sheave Pulley	HC35, SC35 and UC35 models
	F280173	Pulley	HC50, NC50, SC50 and UC50 models
6	F431115	Washer	
7	F430100	Screw	
8	F280341	Belt	HC35, SC35 and UC35 MC, MD, MH, MN, MV, MX, PC, PN, SN, VC and VN models; C, D, G, and J-voltage; 3V-850
	F280342	Belt	HC35, SC35 and UC35 models; A, F, H, K, L, O and Y-voltage; 3V-830
	F280373	Belt	HC50, SC50 and UC50 MC, MD, MH, MN, MV, MX, PC, PN, SN, VC and VN models; C, D, G and J-voltage; 3V-90.65; Replaces F280304 Belt in 50 Hz models
	F280304	Belt	HC50, NC50, SC50 and UC50 models; A, F, H, K, L, O and Y-voltage; 3V-900

Motor and Motor Pulley - 35 and 50 Pound Models

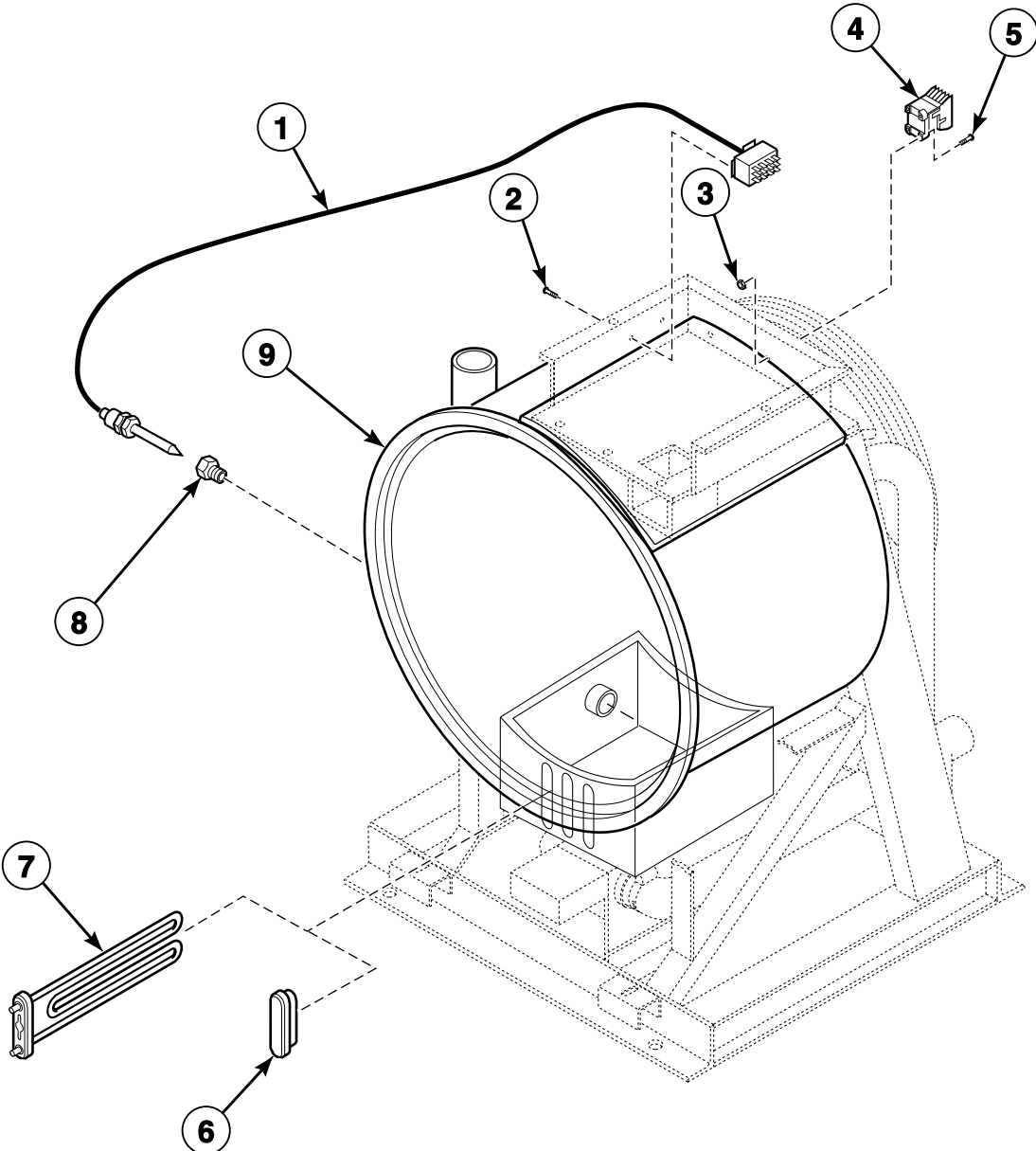


CHM3127PC_F232173

Motor and Motor Pulley - 35 and 50 Pound Models

REF	PART NO.	DESCRIPTION	COMMENTS
1	F430802	Key	
2	F200186100	Motor Support Bushing	
3	F200216900	Motor Drip Shield	
4	F430325	Washer	
5	F603059	Motor Support Rod	HC35, SC35 and UC35 models
	F603897	Motor Support Rod	HC50, NC50, SC50 and UC50 models
6	F430401	Cotter Pin	
7	F8597802P	Motor	HC35, NC50, SC35 and UC35 models; Replaces F022032600P Motor; C, F, G and H-voltage; Includes motor support bushing
	F8597801P	Motor	HC35, NC50, SC35 and UC35 models; A, D, J, K and O-voltage; Replaces F220321-H, F0220321-000 and F220353 Motors; Includes motor support bushing
	F8597902P	Motor	HC35, NC50, SC35 and UC35 models; L and Y-voltage; Replaces F8353601P, F0220111-00P, F220211 and F220111-H Motors and F798725 Motor Kit; Includes motor support bushing
	F220354P	Motor	HC50, SC50 and UC50 MC, MD, MH, MN, MV, MX, PC, PN, SN, VC and VN models; D-voltage
	F8597803P	Motor	HC50, NC50, SC50 and UC50 models; A, J and O-voltage; Replaces F8330301P, F022032200 and F220354 Motors; Includes motor support bushing
	F8597804P	Motor	HC50, SC50 and UC50 MC, MD, MH, MN, MV, MX, PC, PN, SN, VC and VN models; C, F, G and H-voltage; Includes item 2; Replaces F8330401P Motor
	F8597502P	Motor	HC50, NC50, SC50 and UC50 models; L and Y-voltage; Replaces F8330201P and F0220120-01 Motor; Includes motor support bushing
8	F601515	Clip	Elmo only
9	F310124	Extension Spring	
10	H87520334	Sheave	HC35, SC35 and UC35 models; C, D, G and J-voltage; Replaces F280185 Motor Pulley; F280298P Pulley Bushing is used with F280418 Pulley
	F280281	Motor Pulley	HC35, SC35 and UC35 models; A, F, H, K, O and Y-voltage
	F280422P	Pulley	HC50, NC50, SC50 and UC50 models; C, D, G and J-voltage; Replaces F280186 Pulley; F280225P Bushing is used with F280422 Pulley
	F0280385-00	Sheave	HC50, NC50, SC50 and UC50 models; A, F, H, K, L, O and Y-voltage
11	F280298P	Pulley Bushing	HC35, SC35 and UC35 models; C, D, G and J-voltage
	F280225P	Bushing	HC50, NC50, SC50 and UC50 models; C, D, G and J-voltage
12	F100124	Motor Bearing	

Electric Heat Assembly - MC, MD, MH, MN, MV and MX Models



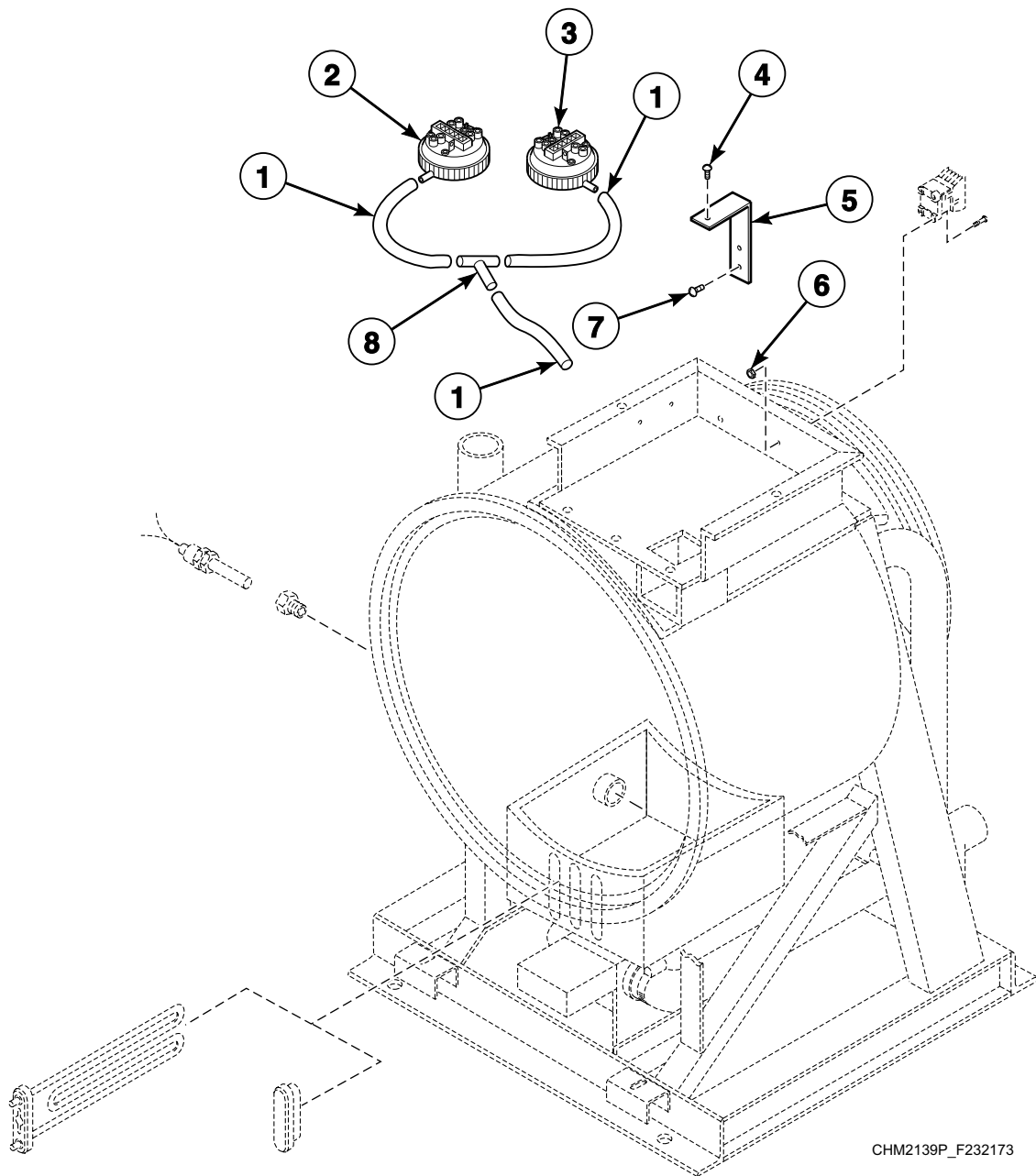
CHM2107P_F232173

Electric Heat Assembly - MC, MD, MH, MN, MV and MX Models

REF	PART NO.	DESCRIPTION	COMMENTS
1	F290111P	Thermostat	Includes temperature probe
2	F430174	Screw	
3	F430231	Nut	
4	F330175P	Contactora	120 Volt
	F330187P	Contactora	120 Volt
	F330177P	Contactora	HC18, HC25, HC27, SC18, SC25, SC27, UC18, UC25 and UC27 models; NX101A; 220 Volt
	F330179P	Contactora	HC35, SC35 and UC35 models; A-24; 220 Volt
	F330188P	Contactora	220 Volt
5	F430916	Screw	
6	F360202	Heating Element Plug	
7	F360205P	Element	2.6 kW
	F360206P	Heating Element	2.0 kW
8	F421936	Reducer Bushing	
9	N/A	Shell Assembly	HC18, SC18 and UC18 models; Heat option
	F741011	Shell Kit	HC25, SC25 and UC25 models; Heat option; Includes F200142 Air Trap Hose, F200202600 Plug, F200205 Hose Clamp (No. 10), F200213 Hose Clamp (No. 40), F200215 Hose Clamp (No. 28), F200222 Hose Clamp (No. 12), F420408 Plug, F430218 Nut, F430301 Washer, F430303 Washer and F430942 Screw
	N/A	Shell Assembly	HC27, SC27 and UC27 models; Heat option

N/A = Part no longer available

Electric Heat Option - PC, PN, SN, VC and VN Models (Drawing 1 of 2)

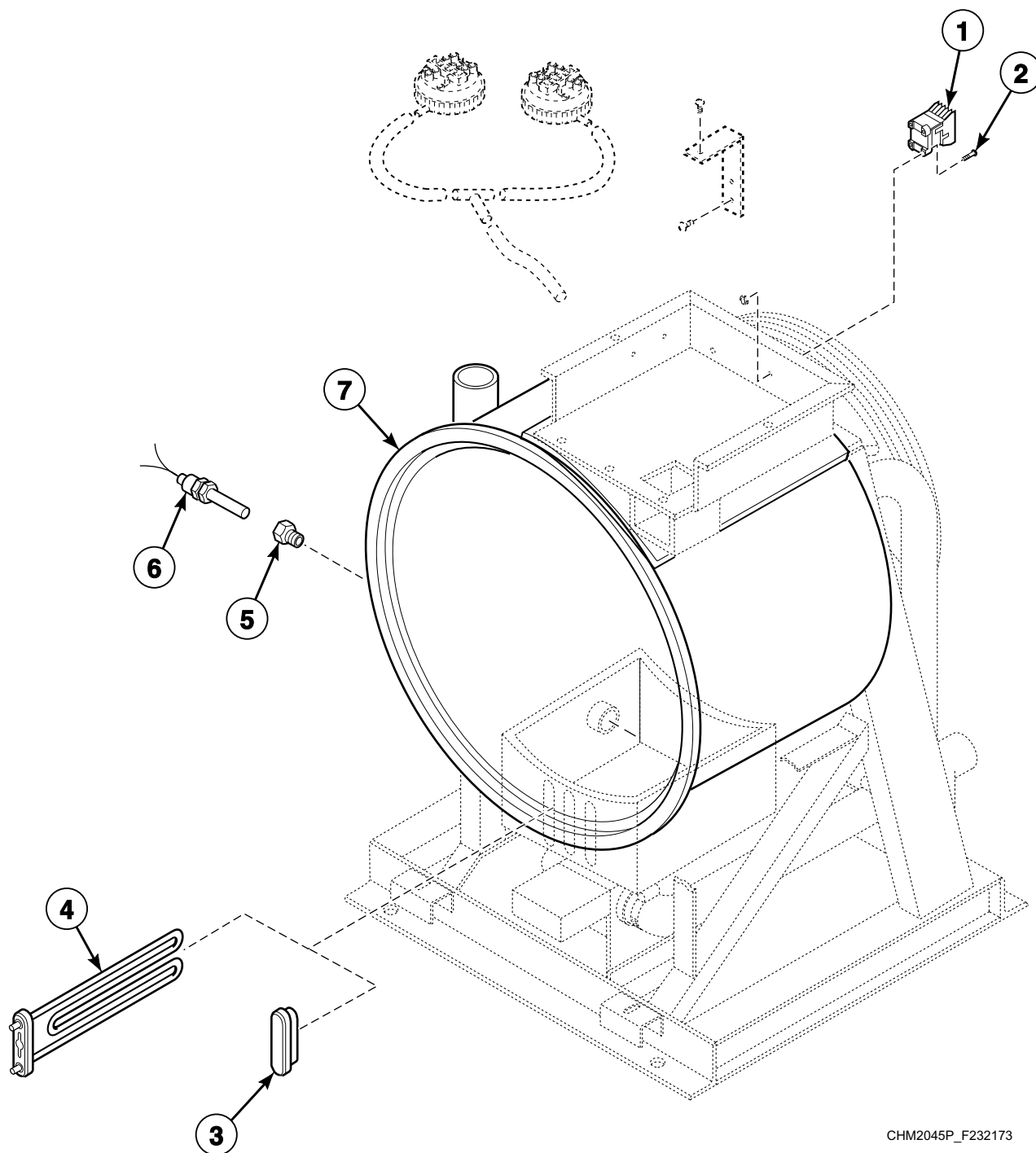


CHM2139P_F232173

Electric Heat Option - PC, PN, SN, VC and VN Models (Drawing 1 of 2)

REF	PART NO.	DESCRIPTION	COMMENTS
1	F422404P	Tubing	
2	F8223001P	Water Pressure Switch	Heat safety; V-computer models
3	F0340343-10P	Water Level Switch	Standard; HC18, HC25, HC27, SC18, SC25, SC27, UC18, UC25 and UC27 models
	F340312P	Water Level Switch	HC18, HC25, SC18, SC25, UC18 and UC25 V-computer models
	F340312P	Water Level Switch	HC27, SC27 and UC27 P and S-computer models
	F340315P	Water Level Switch	HC27, SC27 and UC27 V-computer models
	F340321P	Water Level Switch	HC35, SC35 and UC35 P and S-computer models
	F0340345-10P	Water Level Switch	Standard; HC35, HC50, SC35, SC50, UC35 and UC50 models
	F340337P	Water Level Switch	HC50, SC50 and UC50 P and S-computer models
4	F430172	Screw	
5	F606005	Bracket	
6	F430231	Nut	
7	F430174	Screw	
8	F422806	Tee	

Electric Heat Option - PC, PN, SN, VC and VN Models (Drawing 2 of 2)



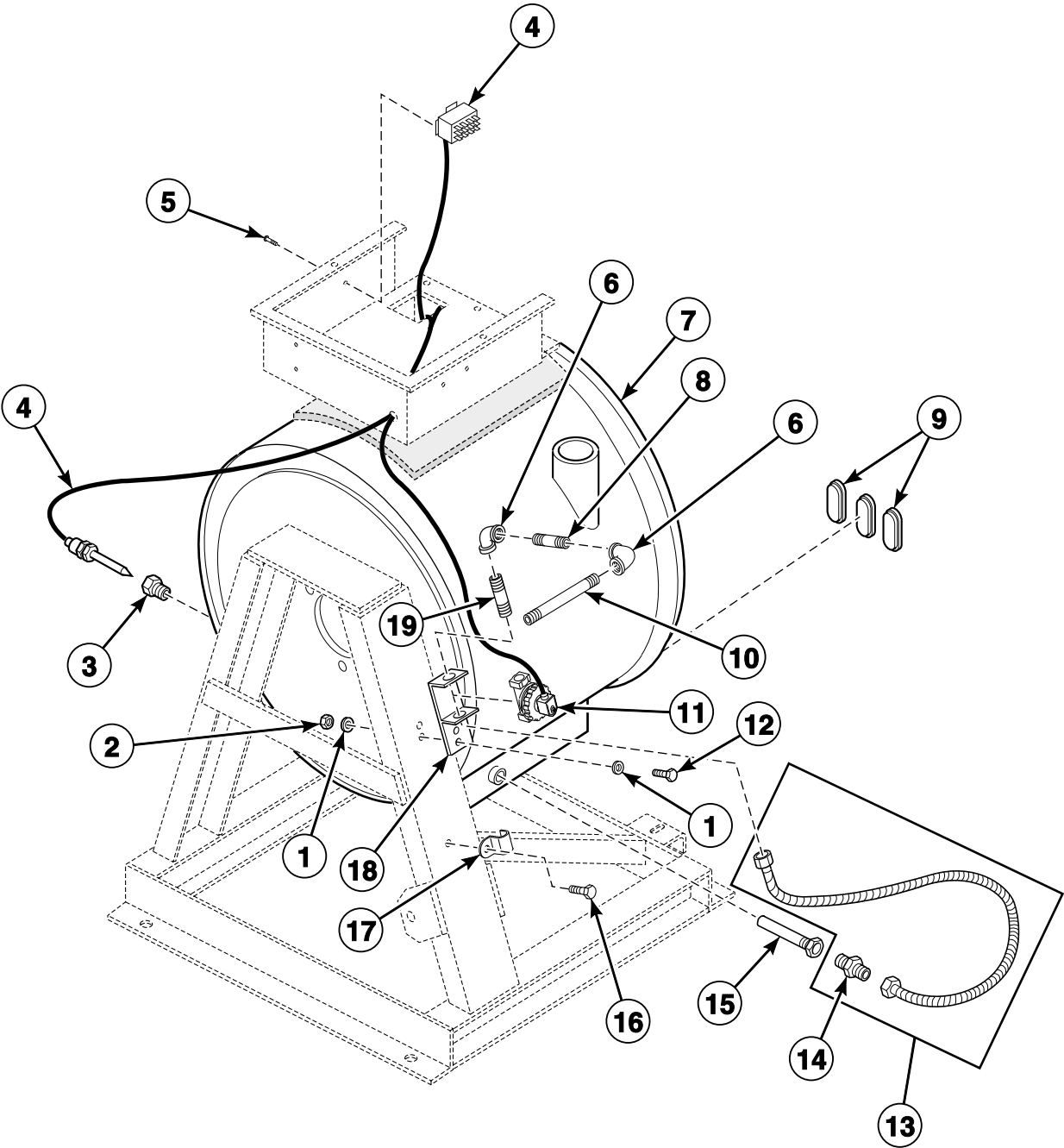
CHM2045P_F232173

Electric Heat Option - PC, PN, SN, VC and VN Models (Drawing 2 of 2)

REF	PART NO.	DESCRIPTION	COMMENTS
1	F330187P	Contactora	120 Volt; HC18, HC25, HC27, SC18, SC25, SC27, UC18, UC25 and UC27 models; L and Y-voltage
	F330188P	Contactora	220 Volt; HC18, HC25, HC27, SC18, SC25, SC27, UC18, UC25 and UC27 models; E-voltage
	F330175P	Contactora	120 Volt; HC18, HC25, HC27, SC18, SC25, SC27, UC18, UC25 and UC27 models; A, D, J and O-voltage
	F330177P	Contactora	220 Volt; HC18, HC25, HC27, SC18, SC25, SC27, UC18, UC25 and UC27 models; A, D, J and O-voltage
	F330187P	Contactora	120 Volt; HC50, SC50 and UC50 models; A, D, J and O-voltage
	F330188P	Contactora	220 Volt; HC50, SC50 and UC50 models; A, D, J and O-voltage
	F330175P	Contactora	120 Volt; HC18, HC25, HC27, SC18, SC25, SC27, UC18, UC25 and UC27 models
	F330177P	Contactora	220 Volt; HC18, HC25, HC27, SC18, SC25, SC27, UC18, UC25 and UC27 models
	F330187P	Contactora	120 Volt; HC50, SC50 and UC50 models; H-voltage
	F330188P	Contactora	220 Volt; HC50, SC50 and UC50 models; C-voltage
	F330180P	Contactora	120 Volt; HC50, SC50 and UC50 models; F, N and P-voltage
	F330182	Contactora	220 Volt; HC50, SC50 and UC50 models; F, N and P-voltage
	2	F430916	Screw
3	F360202	Heating Element Plug	
4	F360206P	Heating Element	2.0 kW
	F360205P	Element	2.6 kW
5	F421936	Reducer Bushing	
6	F370606P	Temperature Probe	
7	N/A	Shell Assembly	Heat option; HC18, SC18 and UC18 models
	F741011	Shell Kit	Heat option; HC25, SC25 and UC25 models
	N/A	Shell Assembly	Heat option; HC27, SC27 and UC27 models
	N/A	Shell Kit	Heat option; HC35, SC35 and UC35 models
	N/A	Shell Assembly	Heat option; HC50, SC50 and UC50 models

N/A = Part no longer available

Steam Heat Assembly - MC, MD, MH, MN, MV and MX Models



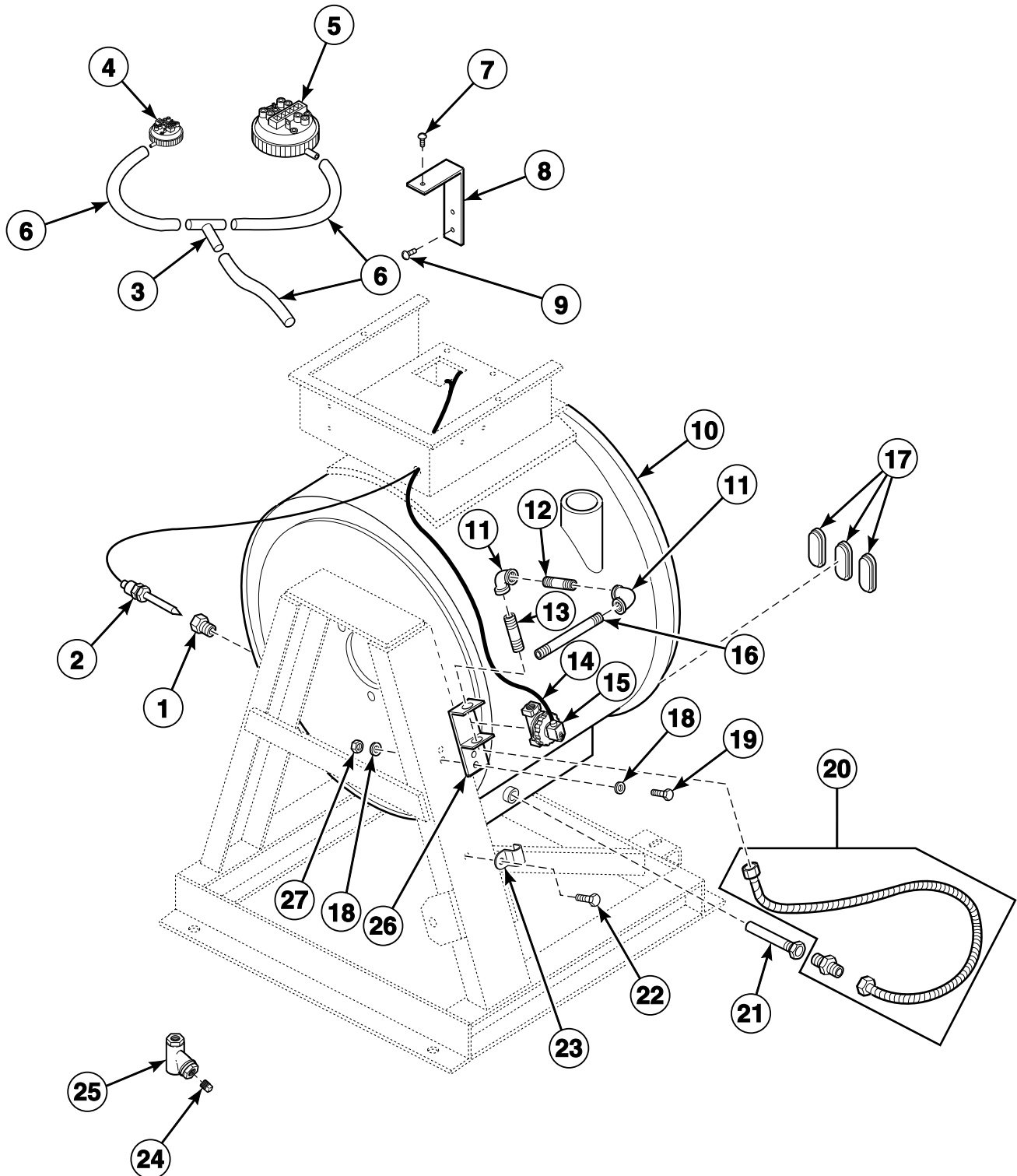
CHM2109P_F232173

Steam Heat Assembly - MC, MD, MH, MN, MV and MX Models

REF	PART NO.	DESCRIPTION	COMMENTS
	F8514701	Coil	Use with F8322802 Valve
	F8514601P	Coil	Use with F8322801 Valve
	F8382301	DIN Valve Adapter Kit	Use with F8322801 Valve and F8322802 Valve
	F8379501P	Valve Kit	Use with F8322801 Valve and F8322802 Valve
1	F430317	Washer	
2	F430215	Nut	
3	F421936	Reducer Bushing	
4	F290111P	Thermostat	
5	F430174	Screw	
6	70079601	Elbow	
7	N/A	Shell Assembly	HC18, SC18 and UC18 models; Heat option
	F741011	Shell Kit	HC25, SC25 and UC25 models; Heat option; Includes F200142 Air Trap Hose, F200202600 Plug, F200205 Hose Clamp (No. 10), F200213 Hose Clamp (No. 40), F200215 Hose Clamp (No. 28), F200222 Hose Clamp (No. 12), F420408 Plug, F430218 Nut, F430301 Washer, F430303 Washer and F430942 Screw
	N/A	Shell Assembly	HC27, SC27 and UC27 models; Heat option
	N/A	Shell Kit	HC35, SC35 and UC35 models; Heat option; Includes F200142 Air Trap Hose, F200205 Hose Clamp (No. 10), F200213 Hose Clamp (No. 40), F200215 Hose Clamp (No. 28), F420408 Plug, F421507 Plug, F430218 Nut, F430301 Washer, F430303 Washer and F430942 Screw
	N/A	Shell Assembly	HC50, SC50 and UC50 models; Heat option
8	F420708	Nipple	
9	F360202	Heating Element Plug	
10	70214101	Pipe Nipple	
11	F8322802	Valve	Replaces F380786P Steam Valve; Includes F8514701 Coil; For models that have been upgraded with F8521601 DIN Valve Kit
	F8521601	DIN Valve Kit	Replaces F380786P Steam Valve; Includes F8322802 Valve and F8514701 Coil
	F8322801P	Valve	Replaces F380787P Steam Valve; Includes F8514601 Coil; For models that have been upgraded with F8521601 DIN Valve Kit
	F8521801	DIN Valve Kit	Replaces F380787P Steam Valve; Includes F8322801 Valve, F8382301 DIN Valve Adapter Kit and F8514601 Coil
12	F430108	Screw	
13	F200154	Steam Hose	Includes item 14
	F410300	Pipe Insulation	
14	70214101	Pipe Nipple	
15	F8368201	Steam Injector Tube Assembly	
16	F430115	Screw	
17	N/A	Cable Strap	
18	F601186	Steam Bracket Assembly	
19	70435601	Pipe Nipple	

N/A = Part no longer available

Steam Heat Option - PC, PN, SN, VC and VN Models



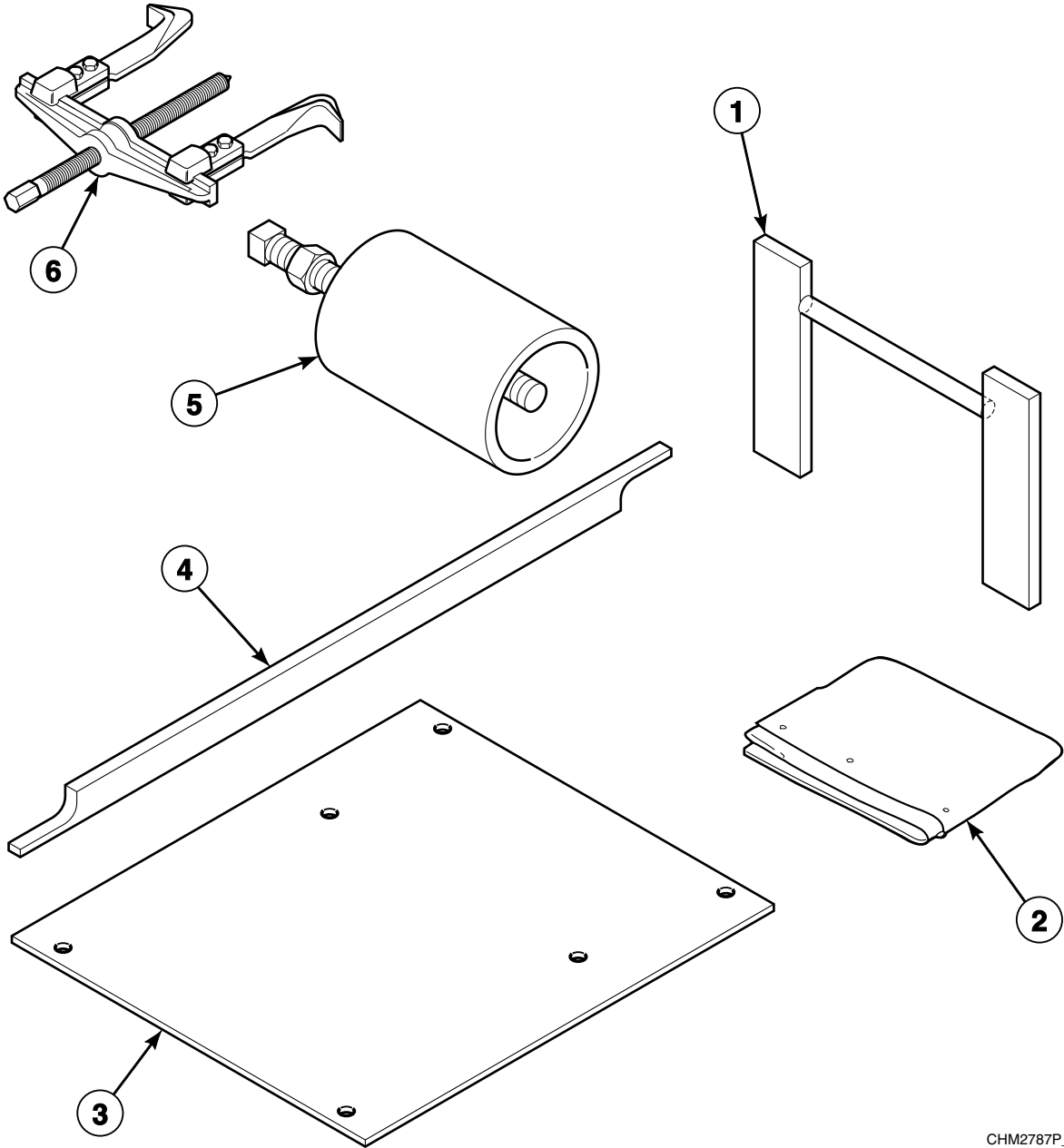
CHM2042P_F232173

Steam Heat Option - PC, PN, SN, VC and VN Models

REF	PART NO.	DESCRIPTION	COMMENTS
	F8514701	Coil	Use with F8322802 Valve
	F8514601P	Coil	Use with F8322801 Valve
	F8382301	DIN Valve Adapter Kit	Use with F8322801 Valve and F8322802 Valve
	F8379501P	Valve Kit	Use with F8322801 Valve and F8322802 Valve
1	F421936	Reducer Bushing	
2	F370606P	Temperature Probe	
3	F422806	Tee	
4	F8223001P	Water Pressure Switch	Heat safety; V-computer models
5	F0340343-10P	Water Level Switch	Standard; HC18, HC25, HC27, SC18, SC25, SC27, UC18, UC25 and UC27 models
	F0340345-10P	Water Level Switch	Standard; HC35, HC50, SC35, SC50, UC35 and UC50 models
6	F422404P	Tubing	
7	F430172	Screw	
8	F606005	Bracket	
9	F430174	Screw	
10	N/A	Shell Assembly	Heat option; HC18, SC18 and UC18 models
	F741011	Shell Kit	Heat option; HC25, SC25 and UC25 models
	N/A	Shell Assembly	Heat option; HC27, SC27 and UC27 models
	N/A	Shell Kit	Heat option; HC35, SC35 and UC35 models
	N/A	Shell Assembly	Heat option; HC50, SC50 and UC50 models
11	70079601	Elbow	
12	F420708	Nipple	
13	70435601	Pipe Nipple	
14	F140887P	Harness Assembly	
15	F8322802	Valve	Replaces F380786P Steam Valve; Includes F8514701 Coil; For models that have been upgraded with F8521601 DIN Valve Kit
	F8521601	DIN Valve Kit	Replaces F380786P Steam Valve; Includes F8322802 Valve and F8514701 Coil
	F8322801P	Valve	Replaces F380787P Steam Valve; Includes F8514601 Coil; For models that have been upgraded with F8521601 DIN Valve Kit
	F8521801	DIN Valve Kit	Replaces F380787P Steam Valve; Includes F8322801 Valve, F8382301 DIN Valve Adapter Kit and F8514601 Coil
16	70214101	Pipe Nipple	
17	F360202	Heating Element Plug	
18	F430317	Washer	
19	F430108	Screw	
20	F200154	Steam Hose	Includes fitting
	F410300	Pipe Insulation	
21	F8368201	Steam Injector Tube Assembly	
22	F430115	Screw	
23	N/A	Cable Strap	
24	F420409	Plug	
25	F270307	Steam Filter	
26	F635334	Steam Valve Bracket Weldment	HC27, SC27 and UC27 models
	F601186	Steam Bracket Assembly	All other models
27	F430215	Nut	

N/A = Part no longer available

Special Tools



CHM2787P_F232173

Special Tools

REF	PART NO.	DESCRIPTION	COMMENTS
	389P4	Basket Tool Kit	Purchase; Requires F460129P Bearing Puller Tool
	390P4-1	Basket Rental Tool Kit	Requires F460129P Bearing Puller Tool
1	F460131P	Basket Pulley Puller Tool	
2	F450127	Template	HC18, HC35, HC50, NC18, SC18, SC35, SC50, UC18, UC35 and UC50 models
	F450246	Template	DC25, HC25, SC25 and UC25 models
3	F608707	Bolt Layout Mounting Template	HC18, SC18 and UC18 models
	F608708	Bolt Layout Mounting Template	DC25, HC25, SC25 and UC25 models
	F631796	Bolt Layout Mounting Template	HC27, NC27, SC27 and UC27 models
	F608709	Bolt Layout Mounting Template	HC35, SC35 and UC35 models
	F608710	Bolt Layout Mounting Template	HC50, NC50, SC50 and UC50 models
4	N/A	Basket Pulley Alignment Bar	HC50, NC50, SC50 and UC50 models
5	F798001	Basket Pulley Kit	DC25, HC18, HC25, NC18, SC18, SC25, UC18 and UC25 models
	F798002	Basket Puller Kit	HC27, HC35, NC27, SC27, SC35, UC27 and UC35 models
	F798003	Basket Puller Kit	HC50, NC50, SC50 and UC50 models
6	F460129P	Basket Puller Tool	

N/A = Part no longer available

Parts Index

A

Access Transformer Harness F200008700	51
Air Chamber Nipple F634178	155
Air Trap Hose F020014200	21, 143, 145, 147, 155
Auxiliary Contactor F330145P	17, 19
F330185P	13, 17, 19

B

Ball Bearing M400592	163, 165
Basket Assembly F603225-1	123
F603900-1	123
F8347901P	121
F8391301P	121
F8391305P	121
F8502803	123
Basket Puller Kit F798002	183
F798003	183
Basket Puller Tool F460129P	183
Basket Pulley Kit F798001	183
Basket Pulley Puller Tool F460131P	183
Basket Rental Tool Kit 390P4-1	121, 183
Basket Tool Kit 389P4	121, 183
Battery F191101	23
Battery Adapter Board F370529P	23
Battery Backup Wire Harness F140249	23
Bearing F100108	125
F100122	125
F100123P	125
F100134	125
F100135	125
F100136P	125
F100137P	125
Bearing Kit RB100005	123
Belt F028038000P	161
F280304	169
F280321	161
F280337	161
F280341	169
F280342	169
F280343	161

F280373	169
Bleach Light Kit F798703	67, 69
F798704	67, 69
Blind Rivet J1111905	79, 109
Board F370555-11P	73
Bolt F430969	57
F430974	109
Bolt Layout Mounting Template F608707	183
F608708	183
F608709	183
F608710	183
F631796	183
Bottom Fill Hose F150414	145
Bracket F606005	55, 175, 181
Bridge Rectifier F370310	15, 23
Bushing F280225P	161, 165, 171
H87529111P	161

C

Cabinet Brace F634800	83, 85, 87, 89, 91
F634801	83, 85, 87, 89, 91
F634802	83, 85, 87, 89, 91
F634803P	83, 85, 87, 89, 91
Cap Plug F190301	131, 133
Capacitor F370218P	169
F370220	167, 169
F370221	167
F370224P	167, 169
F370225P	13, 17, 23, 25
F370230	167, 169
F8411801	167, 169
F8411901	167, 169
Capacitor Bracket F602732	161
Capacitor Mounting Bracket F200033500	161, 169
Capacitor Mounting Clamp F140612P	13, 17, 23, 25
Card Reader D512473	63
39685P	61
Card Reader and Bracket Assembly D510068P	61
Card Reader Assembly F200019900	61
F200019901	61
Card Reader Harness F141887	61

N/A items do not appear in index.

F141889.....	61	Coin Guide Assembly	
Card Reader Harness Assembly		F200002500P.....	31, 37, 39, 45
F141895.....	61	F200002501P.....	35, 41, 43
Card Reader Kit		F200002502P.....	31, 37, 39, 45
F878P3.....	63	F200002503.....	35, 41, 43
F884P3.....	63	F200002504P.....	47
F886P3.....	63	Coin Guide Kit	
Cardmate Plus Assembly		F200002505.....	49, 51
F200023500.....	61	Coin Identification Paper	
F200023502.....	61	38725.....	47, 51
F200023503.....	61	Coin Meter	
Cardmate Plus Decal		F0160737-00.....	49
F231384-1.....	61	Coin Meter Assembly	
F231384-2.....	61	F200003000P.....	29
CCA Mounting Bracket		F200003001.....	29
F608169.....	29, 33	F200003002.....	29
Circuit Board Support		F200003003P.....	29
F432001.....	29, 33	F200003004.....	29
Circuit Breaker		F200003005P.....	29
F350217.....	17	F200003006.....	29
Clamp Ring Assembly		F200003007.....	29
F8388002.....	121	F200003008.....	29
Clip		F200003009P.....	29
F601515.....	67, 71, 73, 81, 163, 165, 171	F200003010.....	29
Coil		F200003011.....	29
F380900.....	135	F200003012.....	29
F380917.....	135	F200003800P.....	37
F380983P.....	135	F200003801.....	37
F8514601P.....	179, 181	F200003802P.....	37
F8514701.....	179, 181	F200003803.....	37
Coin Blocking Wire Harness		F200003804P.....	37
F634561-1.....	35	F200003805.....	37
F634561-2.....	35	F200003806P.....	37
Coin Box		F200003807.....	37
F160672.....	53	F200003808.....	37
F160673P.....	53	F200003809.....	37
Coin Catch Funnel Kit		F200003810.....	37
F606651.....	55	F200003811.....	37
Coin Counter CCA		F200003812.....	37
F0370410-10P.....	29	F200004900.....	33
F370425P.....	33	F200004901.....	33
Coin Drop		F200004902.....	33
70256402P.....	49	F200004903.....	33
70441601P.....	47	F200004904.....	33
Coin Drop Assembly		F200004905.....	33
210195.....	49	F200004906P.....	33
210196.....	49	F200004908P.....	33
38462P.....	47	F200004909P.....	33
38463.....	47	F200004910P.....	33
38464P.....	47	F200004911.....	33
38472.....	49	F200004912.....	33
38521.....	49	F200005200.....	43
39157.....	49	F200005201.....	43
70281102.....	49, 51	F200005202.....	43
70447301.....	51	F200005203.....	43
70482401.....	51	F200005204.....	43
70506901.....	51	F200005205.....	43
Coin Drop Kit		F200005207.....	43
CK107.....	51	F200005208.....	43
CK111.....	51	F200005209.....	43
CK122.....	51	F200005210.....	43
CK123.....	51	F200005211.....	43
Coin Funnel Assembly		F200005212.....	43
F607535.....	57	F200005800.....	45
		F200005801.....	45
		F200005802.....	45
		F200005803.....	45
		F200005804.....	45

N/A items do not appear in index.

F200005805.....	45	Communication Connector	
F200005806.....	45	210099.....	59
F200005807.....	45	Computer	
F200005808.....	45	F370518-00P.....	75
F200005809.....	45	F370518-10P.....	75
F200005810.....	45	F370555-01P.....	73
F200005811.....	45	Conductor Decal	
F200010000P.....	47	F231146.....	11
F200010001.....	49	Contactor	
F200010002.....	49	F330165.....	19
F200010003.....	49	F330175P.....	13, 17, 27, 173, 177
F200010004.....	49	F330176P.....	19
F200010005P.....	49	F330177P.....	13, 27, 173, 177
F200010006.....	47	F330179P.....	173
F200010007.....	47	F330180P.....	177
F200010008.....	49	F330182.....	177
F200010009.....	47	F330187P.....	173, 177
F200010010.....	49	F330188P.....	173, 177
F200010011.....	47	Contactor Mounting Rail	
F200010012.....	47	F610083.....	17, 19
F200115000P.....	39	Control Assembly	
F200115001.....	39	F160200P.....	21
F200115002.....	39	Control Box Assembly	
F200115003.....	39	F634236-1.....	17, 21, 25, 101
F200115004.....	39	Control Decal	
F200115005P.....	39	F0231527-02.....	77
F200115006P.....	39	F231525-1.....	77
F200115007.....	39	F231526-1.....	77
F200115008.....	39	F231526-2.....	77
F200115009.....	39	F231527-1.....	77
F200115010.....	39	F231528-1.....	77
F200115011.....	39	F231528-2.....	77
F200115100.....	41	Control Module Cover	
F200115101.....	41	F634175.....	17, 19, 25, 101
F200115102.....	41	Control Panel	
F200115103.....	41	F150456.....	79
F200115104.....	41	F150457.....	79
F200115105.....	41	F150459.....	79
F200115106P.....	41	Control Panel Assembly	
F200115107.....	41	F634808-1.....	87
F200115109.....	41	F634808-2.....	89
F200115111.....	41	F634809-1.....	91
F200115112.....	41	F634824-1.....	87
		F634825-1.....	91
Coin Meter Blocking Coil		F634827-2.....	89
F160466P.....	29, 33, 37, 39, 41, 45	F634828-1.....	91
F160467P.....	29, 33, 37, 39, 41, 45	F634830-1.....	87
Coin Meter Decal		F634830-2.....	89
F0231595-00.....	35, 41, 43	F634831-1.....	91
Coin Meter Harness		F635345.....	91
F607322-5P.....	35	F635346.....	91
Coin Meter Insert		F635347.....	91
F608925.....	37, 43, 45	F635348.....	91
Coin Meter Insert Decal		F635521-1.....	85
F231010.....	29, 37, 39, 45	F635521-2.....	83
Coin Meter Mounting Shim		F635522-1.....	85
F0634819-00.....	75, 91	F635522-2.....	83
Coin Meter Slide Sub-Assembly		F635525-1.....	85
F605974.....	55	F635526-1.....	85
Coin Meter Solenoid		Control Panel Decal	
F160713P.....	37, 43	F0231441-00.....	77
Coin Meter Wire Harness		F0231464-00.....	77
F607322-2P.....	31	F0231566-12.....	77
F607322-3.....	35	F0231568-42.....	77
Coin Slide Extension		F0231579-22.....	77
F606006.....	55, 57	F0231586-32.....	77
Communication Board		F0231609-00.....	67, 69
210095P.....	59		

N/A items do not appear in index.

Door Lock Assembly Cover F603003	111, 113, 115, 117, 119	Door Spacer F0150273-00	107
Door Lock Catch F150223	111, 113	Door Switch F340200	111, 115, 117
Door Lock Catch Casting F150261	111, 113, 115, 117, 119	Door Warning Label 81968	11
Door Lock CCA F0632387-01P	25	Drain Connector Tee F8017101	143, 145
F370430-1P	17	Drain Hose F0150331-00	143, 145
Door Lock Control CCA F370432P	19	F0603139-03	143
Door Lock Kit F0798839-00	119	F150356	147
F0798839-01	119	F200123400	143
Door Lock Lever F605381	111, 113, 117	F200123500	143
Door Lock Microswitch F200203200	115, 117, 119	Drain Motor F380943P	149, 151, 153
F340919	111, 113	Drain Pump F270119P	157
Door Lock Pin Kit F746507-2	111	Drain Seal Kit F8562001	151, 153
Door Lock Pin Linkage F150455	115, 117, 119	Drain Tee F150398	143
Door Lock Pin Release Spring F310137	115, 117, 119	Drain Valve F8406303	151, 153
Door Lock Plate Assembly F8066701	115, 117, 119	F8406304	151, 153
Door Lock Plate Cover F602567	111, 113	F8602602	151, 153
Door Lock Plate Shim F603185	111, 113	803293	149, 153
F8059701	115, 117, 119	Drain Valve Assembly F602920	149, 153
Door Lock Plate Sub-Assembly F633734	111, 113	F603175	149, 153
Door Lock Relay CCA F370426-1P	13, 23	Drain Valve Body F380920	149, 153
F370426-2P	13, 23	Drain Valve Cover F200133600	149, 153
F370430-2P	13	Drain Valve Kit F200166300	151, 153
Door Lock Retainer Latch F0636103-00	119	F200166302	151
Door Lock Solenoid F0300131-00P	113, 119	F200166400	151
F300113P	111	F8577201	151, 153
Door Lock Splash Shield F320200	111, 113, 115, 117, 119	Drain Valve Motor F380932P	149, 151, 153
Door Lock Spring F310125	107	F380933P	149, 151, 153
Door Lock Switch Lever F0636636-00	115, 119	F380972P	149, 151, 153
Door Lock Time Delay F200025200P	13, 23, 25	F8618901P	149, 151, 153
Door Lock Torsion Spring F310110	111, 113, 115, 117, 119	Drip Shield F0140439-00	65
Door Lock Wire Harness F0631986-02	117		
F605406-2	113	E	
F634301	115	Elbi Conversion Kit F798709	131, 133, 135, 137, 139
Door Locking Linkage Pin F431231	115, 117, 119	F798711	133, 135, 139
Door Mount F150271	109	Elbow 70079601	179, 181
Door Release Solenoid F300128P	111, 113, 119	Electrical Box Assembly F602694	97
		Electrical Panel Sub-Assembly F0606950-02	23
		F0607746-01	15
		F607358	15
		Electronic Coin Drop Assembly 70294101P	51
		70294103P	51
		70294104	51

N/A items do not appear in index.

70294106	51
70294111	51
70513308	51
70513310	51
70513311	51
70513312	51
70513313	51
70513314	51
70513315	51
70513316	51
Electronic Coin Drop Kit	
CK099	51
CK100	51
CK101	51
CK108	51
CK109	51
CK110	51
CK113	51
CK115	51
CK116	51
CK117	51
CK118	51
CK119	51
CK120	51
CK121	51
CK500	51
Element	
F360205P	173, 177
EMI Filter Kit	
F0798913-00	21
E-Ring Retainer	
F310205	115, 117, 119
Excluder Seal	
F8336801	121
F8336901	121
F8337101	123
Extension Spring	
F310124	163, 165, 171
External Supply Decal	
F230764	141
Extrusion Control Panel	
F150403	97

F

Female Pin Terminal	
00430	29, 33, 37, 39, 41, 43, 45
Fill Hose	
F150372	133, 137, 139, 143
Filter	
F270305	159
F270306P	159
801255P	21
Filter Harness	
F0637649-00P	21
Filter Housing Cap Gasket	
F270407	159
Flange Relay	
F330227	15, 17, 23, 25
F330230	15, 23, 25
Flow Restrictor	
F380957	135
F380958	135
Frame Assembly	
F606178	127

N/A items do not appear in index.

F607003	127
F607004	127
F607005	127
F630232	127
Front Drain Hose	
F150312	143, 145
F200123900	143
Front Panel	
F634666-2	83, 89, 93
F634666-5	83, 93
F634682-2	85, 87, 93
F634682-5	85, 93
F634816-1P	85, 87, 93
F634836-1P	85, 87, 93
F634836-2	85, 87, 93
F634837-1	93
F634837-2	93
F634837-5	93
F8200301P	85, 87, 93
F8200302P	83, 89, 93
F8200401P	85, 93
F8200402P	83, 93
F8200601P	85, 87, 93
F8200602P	83, 93
F8292502	83, 89, 93
Front Panel Assembly	
F631968-2P	97
Front Panel Kit	
F757405	105
F757406	103
F757414	103
F757419	105
F757440	103
F757445	103
F757450	105
F757455	105
F757484-01	103
F757485-01	103
Fuse	
F350108	23, 25
F350109	23, 25
F350110	13, 17, 19, 23, 25
F350115	19, 137, 141
F350117	17
F350125	13
F350127	29, 33
F350141	17, 19
F350142	19
F350145	19
F350146	19
Fuse Decal	
F231350	19
F231351	19
F231352	19
F231354	17
F231355	19
F231356	19
F231393	17
F231394	17
Fuse Holder	
F0350312-10	17, 19, 141
F350304P	137

G

Gasket	
F170401P	79, 97
Gravity Drain Valve	
803292	149, 153
Grommet	
F170607	59, 97
Ground Decal	
F230630	11
F230739	11
Ground Terminal Lug	
F140734	133, 137, 139, 141

H

Harness	
D512500	63
D512502	63
F0637581-01	163, 165
F0637798-00	51
F631973-2	61
Harness Assembly	
F140887P	181
F141884-1	17
F141885P	21
F141893	21
Heating Element	
F360206P	173, 177
Heating Element Plug	
F360202	173, 177, 179, 181
Hose	
F606816-1	133
F609748-5	157
Hose Clamp	
F200204	145, 155, 157
F200205	131, 143, 145, 147
F200206	141
F200213	131, 133, 137, 139, 143, 145, 147, 155, 157
F200215	143, 145, 147, 151, 153, 155
F200217	157
F200222	133
36801	21, 131, 133, 137, 139

I

Injection Nozzle	
F8322001	141
Injection Nozzle Kit	
F730168	141
Inner Front	
F631688-1	79
Inner Front Panel Assembly	
F631685-1P	79
F631687-1	79
F631689-1	79
F631690-1	79
F634462-1	79
F634505-1	79
Inner Front Panel Kit	
F0798928-00	97

F757200	97
F757203P	97
F757204P	97
Input Assembly	
F141869P	23
Input Harness Kit	
F141871P	23
Input Power Block	
F140746	133, 139, 141
F140747	133, 139, 141
F140748	133, 139, 141
Input Power Connection Box Cover	
F602533	133, 139
Insulator Bushing	
F140909	133, 137, 139
Interlock	
F330152P	19
Interlock Contactor	
F330186P	19, 27

K

Key	
F160420	53
F160421	53
F160423	53
F160562	95, 99
F160582	53
F430801	161, 169
F430802	163, 165, 171
70155603	95, 99
Keypad	
F370576P	73

L

L-Catch Kit	
F746808	115, 117, 119
Left Side Panel	
F0636136-00P	95
F634397-1	95, 101
F634499-1	95, 101
F635274-1P	95
F8166301	101
Left Side Panel Kit	
F757602P	95, 101
F757603	95, 101
Lid Clamp Assembly	
F630430	99, 129
Lid Lock	
F190802P	95, 99
F190805P	95, 99
Light	
F350411	67, 69
F350412	67, 69
F350413	67
F350420	67, 69
F350422	67, 69
F350430	67, 69
F350431	67, 69
Liquid Supply Decal	
F230877	11

N/A items do not appear in index.

Logic Control Assembly F160203P	21
--	----

M

Magnet F8390801	109
Magnetic Switch F0340723-00	109
Magnetic Switch Assembly F200321200	79
Male Connector F140571	29, 33, 37, 39, 41, 43, 45
Manifold F8333201	131, 133
Manual Fast Advance Decal F230756	11
Mechanical Timer Harness Kit F798705	67, 69
Membrane Switch F340605P	75
F340608P	73
F340610P	75
F340614P	73
F340615P	75
210073P	21
Microcomputer F370313-30P	73
F370313-40P	75
Microcomputer Board F370313P	75
Mixing Valve Kit, 3-Way F798710	131, 135
Mixing Valve, 3-Way F380794P	135
Module Cover F602961	97
Momentary Switch F200120100	67, 69
F340412	73, 81
F340435	101
F340437	99
Motor F022012800P	163
F220352	163
F220354P	171
F220389P	165
F8329301P	163
F8329401P	163
F8597103P	165
F8597104P	165
F8597401P	163
F8597402P	163
F8597501P	165
F8597502P	171
F8597801P	171
F8597802P	171
F8597803P	171
F8597804P	171
F8597902P	171
Motor Bearing F100124	171
Motor Conversion Kit F8353501P	163

F8411501	163
F8601901P	163
Motor Drip Shield F200216900	163, 165, 171
Motor Pulley F280281	167, 171
Motor Support Bushing F200186100	163, 165, 171
Motor Support Rod F602844	163, 165
F603059	165, 171
F603897	171
Motor Switch F340002	13, 133, 139
Motor Switch Bracket F340704	13
Mounting Bracket F602722	95, 99, 101
Mounting Bracket Assembly F0636707-00	47
F635319	49, 51
F635320	61
Mounting Plate F606595	131, 133
Mounting Plate Assembly D512506	63

N

Network Board Assembly 210016P	59
Network Board Harness F141886	59
Network Interface Control Mounting Bracket F634769	59
Network Interface Harness F141888	59
Nipple F420708	179, 181
Nut F430211	13, 23, 25
F430215	19, 55, 57, 61, 79, 95, 101, 109, 111, 113, 121, 123, 143, 145, 147, 155, 157, 179, 181
F430218	127
F430225	111, 113, 115, 117, 119
F430231	13, 15, 17, 21, 95, 99, 111, 115, 117, 131, 133, 137, 139, 153, 157, 173, 175
F430232	59, 73, 81, 107, 111, 113, 115, 117, 119, 133, 137, 139, 155
F430239	125
F430240	125
F430243	29, 33, 37, 43, 45
F430264	79, 91, 103, 105, 109, 115, 117, 119
F431005	55, 57, 99
F431017	61, 115, 117, 119
F431022	15, 19, 23, 73, 75, 107, 137, 141
F431024	129
F431041	107
F432213	55, 57
685846	21, 47, 49, 51, 111, 113
802292	141

N/A items do not appear in index.

Nylon Sleeve	
F431911	141

O

Optic Switch Kit	
F775801-01P	29, 33, 41
F775801-02P	45
F775801-03P	37, 39, 43
Opto Coupler	
200674P	47, 49
O-Ring	
801632	141
Output Board CCA	
F370449P	23
F370450P	23
Output Board VCMP Assembly	
F8206501P	25
F8206502P	25
Output Relay CCA	
F370433P	19
F370434P	19
Overflow Hose	
F150308	145
F150332	143, 145, 147
F150417	143, 147
F200125800	143, 145
Overflow Plug	
F150352	151, 153, 155, 157
Overlay	
70295101	51
70295301	51
Overload Contactor	
F8176101P	13, 17, 19, 27
F8344001P	13, 17, 19, 27
F8344101P	13, 17, 19, 27
Oversuds Protection Kit	
F798813	65

P

Personal Injury Warning Decal	
F231065	11
Pipe	
F603827-1	157
F608237	145
Pipe Insulation	
F410300	179, 181
Pipe Nipple	
70214101	179, 181
70435601	179, 181
Plug	
F150443	155, 157
F420409	181
Pop Rivet	
F431209	55
F431210	69, 97
F431215	31, 35, 37, 39, 41, 43, 45, 47, 49, 51, 79, 95, 99, 101
Power Supply	
D512496	63
D512497	63

Power Supply CCA	
F370411-1P	29, 33
F370411-2P	29, 33
Power Supply Cover	
F633260	137
Power Supply Harness	
F0141904-00P	31
F0141904-01P	31
Pressfit Upgrade Kit	
F935P3	121
F936P3	121
F942P3	123
Pressfit Upgrade kit	
F942P3	125
Programming Card	
D512499P	63
Pulley	
F280168	161
F280173	169
F280284	167
F280416	167
F280422P	171
F280423	167
F280427P	167
Pulley Bushing	
F280298P	161, 171
Pulley Kit	
F748001	169
F748003	169
Pulse Expander Assembly	
F8034701P	51
Pump	
F200000900P	157
F270104P	157
F634463P	155
Pump Drain Outlet Hose	
F150482	155
Pump Drain Rear Connecting Bracket	
F604147	155, 157
Pump Drain Trap Assembly	
F630326P	157
Pump Drain Trap Mounting Bracket	
F609694	157
Pump Drain Trap Weldment	
F633819	155
Pump Inlet Hose	
F634177	155
Pump Mounting Bracket	
F634114	155
Push Red Button Decal	
F230661	107
Pushbutton Rod	
F320300	107
Pushbutton Stop	
F602540	111
F605382	113

R

RC Network Filter	
F330217P	23, 31, 35
Rear Drain Hose	
F150311	155

N/A items do not appear in index.

Shell Front Assembly	
F609270-1	121
F609272-1P	123
F632006P	121
Shell Front Gasket Kit	
F792000	121, 123
F8513501	121, 123
Shell Front Kit	
F741300P	121
F741301-01	123
F741302-01	123
Shell Kit	
F741008	127
F741011	173, 177, 179, 181
Shell Weldment	
F634600	127
F634608	127
F634644	127
F634663	127
Side Panel	
F607826	101
F630469	101
F634475-1	101
F634514-1	101
Signal Light	
F350404	67, 69
Siphon Tube	
F150390	131, 133, 137, 139
Soap Box Insert	
F606681	129
Soap Dispenser Hose	
F150309	143, 147
Solenoid	
F300124P	111, 115
F300125P	117
Spacer	
F401206	73, 75
F431901	111, 113, 115, 117, 119
Sponge Rubber	
F170128	65
Spring	
F8504601	149, 153
F8504701	151, 153
Spring Pin	
F431222	107
Standoff	
F180501	25
F180506	17, 19, 59
Start Control Assembly	
F160650P	55, 57
F160651P	55, 57
Start/Stop Kit	
F730016P	67, 69
Steam Bracket Assembly	
F601186	179, 181
Steam Filter	
F270307	181
Steam Hose	
F200154	179, 181
Steam Injector Tube Assembly	
F8368201	179, 181
Steam Valve Bracket Weldment	
F635334	181
Strainer	
F270200	135

Stud	
F390300	95, 99
F8231001	83, 85
Supply Dispenser Assembly	
F200202201P	129, 133, 137, 139
Supply Dispenser Baffle	
F150419	143, 147
Supply Dispenser Gasket	
F170170	99, 129
Supply Dispenser Lid	
F150420	129
F200270500	129
F200270501	99, 129
Supply Dispenser Sub-Assembly	
F602374	129, 137
Supply Hose Bracket	
F606516	141
Switch	
F340403P	13
F340430	13
Switch Clamp	
F0340722-00	133, 139
Switch Panel Assembly Decal	
F230918	67, 71, 81
Switch Panel Decal	
F230918-2	67, 71, 81
F231448	67, 71
Switch Panel Mounting Assembly	
F606999	81
Switch Plate Decal	
F230840	73
Switch Plate Sub-Assembly	
F633092-1	67, 71, 81
F633098	73, 81

T

Take-Apart Hinge	
F190203P	95, 99
Tee	
F422806	175, 181
F422817	145
Temperature Probe	
F370606P	177, 181
Template	
F450127	183
F450246	183
Terminal	
F140766	137, 141
F140768	19
Terminal Strip	
F140738	15, 17, 19, 23, 141
Terminal Strip Insulator Decal	
F140912	15, 23
F140913	15, 23
F140914	15, 17, 23
F140915	15, 23
F140916	15, 23, 31, 35
Thermostat	
F290111P	173, 179
Timer Mounting Bracket	
F635541	15, 17

N/A items do not appear in index.

Top Brace	
F603227	97, 99
F606239	97, 99
Top Cover Assembly	
F635391	99
Top Cover Kit	
F0798926-00	95
F758000-01P	95
F758001-01P	95
F758002-01P	95
F758003P	95
Top Cover Latch	
F602753	95, 99
Top Cover Sub-Assembly	
F603745	99
F603801P	99
F606956	99
F631962	99
Transformer	
C000203	17, 25, 157
F0360170-00P	19
F360117P	13, 17, 25
803527P	51
Trim	
F8679201P	91, 103, 105, 109
Triple Lip Seal	
F8203801	125
F8203802	125
F8203805	125
F8203806	125
Trunnion Kit	
F747001	125
F747002	125
F747005	125
Tubing	
F200168P	141
F422404P	175, 181
F606192-5	157

U

U-Bolt Clamp	
F200401P	155, 157

V

Vacuum Breaker Assembly	
F603031	131, 133, 137, 139
Vacuum Breaker Bottom	
F015033000	131, 133, 139
Vacuum Breaker Fill Hose	
F0150340-01	133, 139
Vacuum Breaker Hose	
F150321	131, 133, 137, 139, 143, 145
F150340	131, 137, 143, 147
Vacuum Breaker Top	
F0150329-00	131, 133, 139
Valve	
F8322801P	179, 181
F8322802	179, 181
Valve Kit	
F8379501P	179, 181

Valve Panel Sub-Assembly	
F603393	99
F604118	99
F633494-1	95, 99
F633494-2	95, 99
F633494-3	95, 99
F633494-4	95, 99
Valve Repair Kit	
F380938	135
F380939	135
Valve, 3-Way	
F0381734-00P	139
F0381735-00P	139
F381718P	137
F381719P	139
F381720P	137
F381725P	137
F381728P	137
F381729P	139
F381730P	137
Vent Hose	
F200170	145
Vent Nipple	
F422517	145

W

Washer	
F0431159-00	161
F430303	127
F430311	13, 29, 59, 61, 81, 133, 139
F430317	19, 79, 95, 121, 123, 143, 145, 147, 155, 179, 181
F430322	131, 133
F430325	163, 165, 171
F431100	13, 23, 25, 111, 113, 115, 117, 119
F431102	55, 57
F431105	99
F431106	67, 71, 73
F431108	13, 17, 23, 25
F431113	15, 19, 23, 55, 57, 73, 75, 107, 141
F431115	161, 169
F431123	15, 17, 111, 113, 115, 117, 119
F431125	21
F431128	125, 127
F431131	125, 127
F431147	115, 117, 119, 129, 149, 151, 153
F431902	111, 113, 115, 117, 119
F431903	111, 113
F431916	107
M400081	127
20290	159
803615	159
901690	157
Water Hose	
F200108P	131, 133, 137, 139
F200116	159
F200128P	131
F200164	159
F200165	159
F200166	159
Water Level Switch	
F0340343-00P	13, 17
F0340343-10P	21, 25, 175, 181
F0340345-00P	13, 17
F0340345-10P	21, 25, 175, 181

N/A items do not appear in index.

F340311P	23
F340312P	23, 175
F340315P	175
F340321P	23, 175
F340325P	23
F340337P	23, 175
Water Level Switch Bracket	
F631920	21, 25
Water Pressure Switch	
F8223001P	25, 175, 181
Wire Harness	
F141867	61

Y

Y Connector	
F422808	137, 139
